

工程指示 / 要求簡箋(E.I.)

工程指示編號：EI / 2822 / 20

修改版次：-

工程編號：J - 852

工程名稱：亞皆老街中電

工程項目：後裝窗 Mockup 用玻璃 B.M. (5/F) T3 (24 件)

收件人：Maggie

發件人：Ant Yeung

日期：14/12/2020

要求提供 / 確認 事項：

- | | | |
|------------------------------------|-------------------------------------|-------------------------------|
| <input type="checkbox"/> 初步鋁料 B.M. | <input type="checkbox"/> 加工拆圖，然後生產 | <input type="checkbox"/> 尺寸表 |
| <input type="checkbox"/> 正式鋁料 B.M. | <input type="checkbox"/> 技術上資料 / 指示 | <input type="checkbox"/> 報價 |
| <input type="checkbox"/> 配件 B.M. | <input type="checkbox"/> 樣辦或貨品說明書 | <input type="checkbox"/> 分判合約 |
| <input type="checkbox"/> 其他：_____ | | |

內容：

按業主要求，所有 Low-E 玻璃的 SC 為 0.68 (與 EI2782 相同)。所有玻璃尺寸沒有更改。

1. Low-E: 8SEE0-83T

8SEE0-83T(HS)+12(A)+10CB 原先編號由 D20070681 改為 D20040325

玻璃要做 Heat Soak

IGU 膠用 DC983

請按 BM 訂購 5/F 用玻璃 (24 件) 直送地盤 (T3)

請在 2021.1.15 前完成上列要求。

附：1 頁 BM + 1 頁

以上項目為：

- 原合約工程包 原合約工程加 / 減賬 新工程報價

原因：-

分發東莞各部門：

- | | | | |
|--|---|--|---|
| <input type="checkbox"/> 生產技術總監 <input type="checkbox"/> 連附件 | <input type="checkbox"/> 技術部 <input type="checkbox"/> 連附件 | <input type="checkbox"/> 生產部 <input type="checkbox"/> 連附件 | <input type="checkbox"/> 機械設計部 <input type="checkbox"/> 連附件 |
| <input type="checkbox"/> 採購部 <input type="checkbox"/> 連附件 | <input type="checkbox"/> 生產統籌部 <input type="checkbox"/> 連附件 | <input type="checkbox"/> 小羅 & 清 <input type="checkbox"/> 連附件 | |
| <input type="checkbox"/> 質檢部 <input type="checkbox"/> 連附件 | <input type="checkbox"/> 會計部 <input type="checkbox"/> 連附件 | <input type="checkbox"/> 報關組 <input type="checkbox"/> 連附件 | <input type="checkbox"/> 其他 <u>楊榮輝</u> <input type="checkbox"/> 連附件 |

分發其他分判：

- 水洪 連附件

分發香港各部門：

- | | | | |
|--|--|---|--|
| <input type="checkbox"/> 行政部 <input type="checkbox"/> 連附件 | <input type="checkbox"/> 會計部 <input type="checkbox"/> 連附件 | <input type="checkbox"/> 統籌部 <input type="checkbox"/> 連附件 | <input checked="" type="checkbox"/> 工程部地盤科文 <input type="checkbox"/> 連附件 <u>祥哥</u> |
| <input checked="" type="checkbox"/> 採購部 <input type="checkbox"/> 連附件 | <input type="checkbox"/> QS 部 <input type="checkbox"/> 連附件 | <input type="checkbox"/> 維修部 <input type="checkbox"/> 連附件 | <input type="checkbox"/> 其他 _____ <input type="checkbox"/> 連附件 |

傳遞編號：

HK / 20

發件人簽署：Ant Yeung

項目經理簽署：P. P. N.

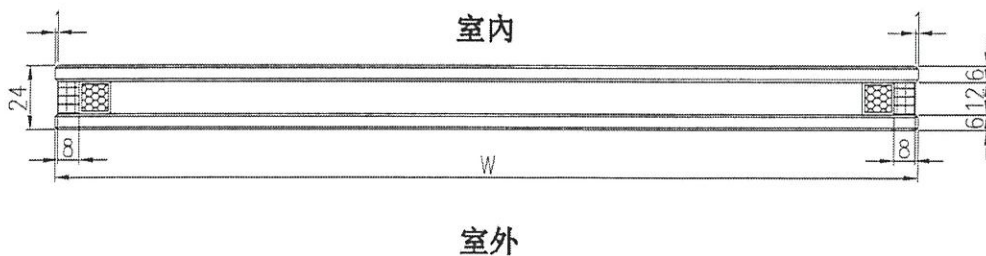
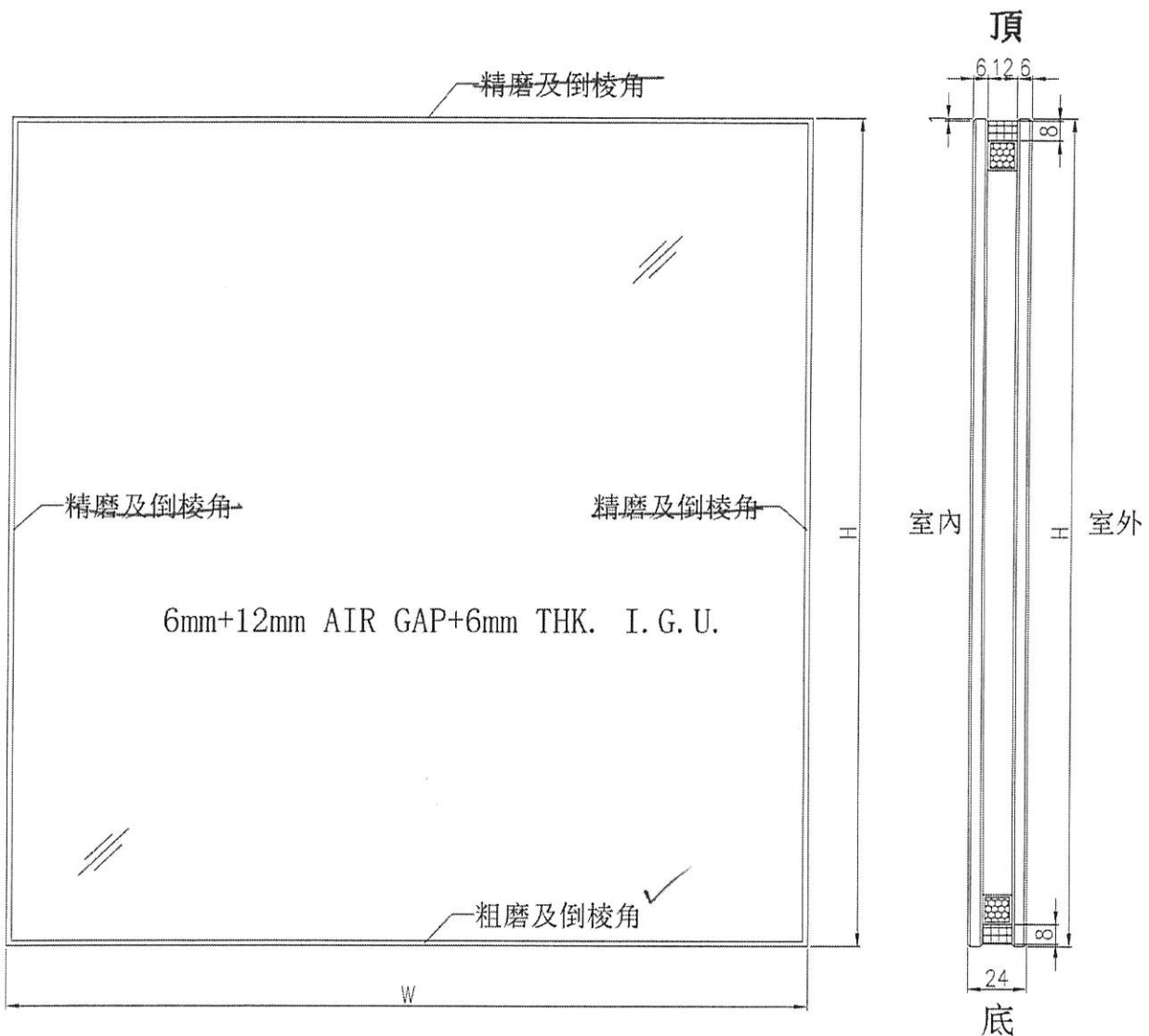
美特鋁質 有限公司 Mett Aluminum Fabricator Ltd.		工程號: 1852	計算: Ivan	日期: 2020/10/28	送呈:
地盤名稱: ei 2665		核對:	日期:	副本:	
項目類別: T3后裝窗及趟門玻璃		批准:	日期:	A/C Code:	
修改版次: (5/F)		總計玻璃面積 (平方米):	36.54		

訂用

序號	修改內容	玻璃圖號	顏色與類型	厚度 (mm)	玻璃尺寸		數量 (塊)	總面積 (平方米)	使用位置	加工圖參考
					寬度 (W mm)	高度 (H mm)				
1		GL03-T3-001	Low Iron 6mm+12mm AIR GAP+6mm THK. I.G.U.	24.0	506.0	1228.0	2	1.24	T3后裝窗/生	GL03-T3-001
2		GL03-T3-002			508.5	1228.0	1	0.62	T3后裝窗/生	GL03-T3-002
3		GL03-T3-003			518.5	1228.0	1	0.64	T3后裝窗/生	GL03-T3-003
4		GL03-T3-004			571.0	1203.0	1	0.69	T3后裝窗/生	GL03-T3-004
			Low E 85EE0-837	合計:			5	3.19		
1		GL01-T3-001			1121.0	193.0	1	0.22	T3后裝窗/梗	GL01-T3-001
2		GL01-T3-002			1136.0	193.0	1	0.22	T3后裝窗/梗	GL01-T3-002
3		GL01-T3-003			237.0	1599.0	1	0.38	T3后裝窗/梗	GL01-T3-003
4		GL01-T3-004			930.5	2409.0	2	4.48	T3四趟趟門/梗	GL01-T3-004
5		GL01-T3-005	Low Iron 8mm+12mm AIR GAP+10mm THK. I.G.U.	30.0	1008.0	2258.0	2	4.55	T3四趟趟門/生	GL01-T3-005
6		GL01-T3-006			818.0	2409.0	2	3.94	T3四趟趟門/梗	GL01-T3-006
7		GL01-T3-007			908.0	2258.0	2	4.10	T3四趟趟門/生	GL01-T3-007
8		GL01-T3-008			505.0	2275.0	2	2.30	T3三趟趟門/梗	GL01-T3-008
9		GL01-T3-009	D20040325		849.5	2275.0	2	3.87	T3三趟趟門/生	GL01-T3-009
10		GL01-T3-010			849.5	2275.0	2	3.87	T3三趟趟門/生	GL01-T3-010
11		GL01-T3-011			1192.0	2279.0	2	5.43	T3兩趟趟門/生	GL01-T3-011
			Low E 85EE0-837	合計:			19	33.35		
				總合計:			24	36.54		

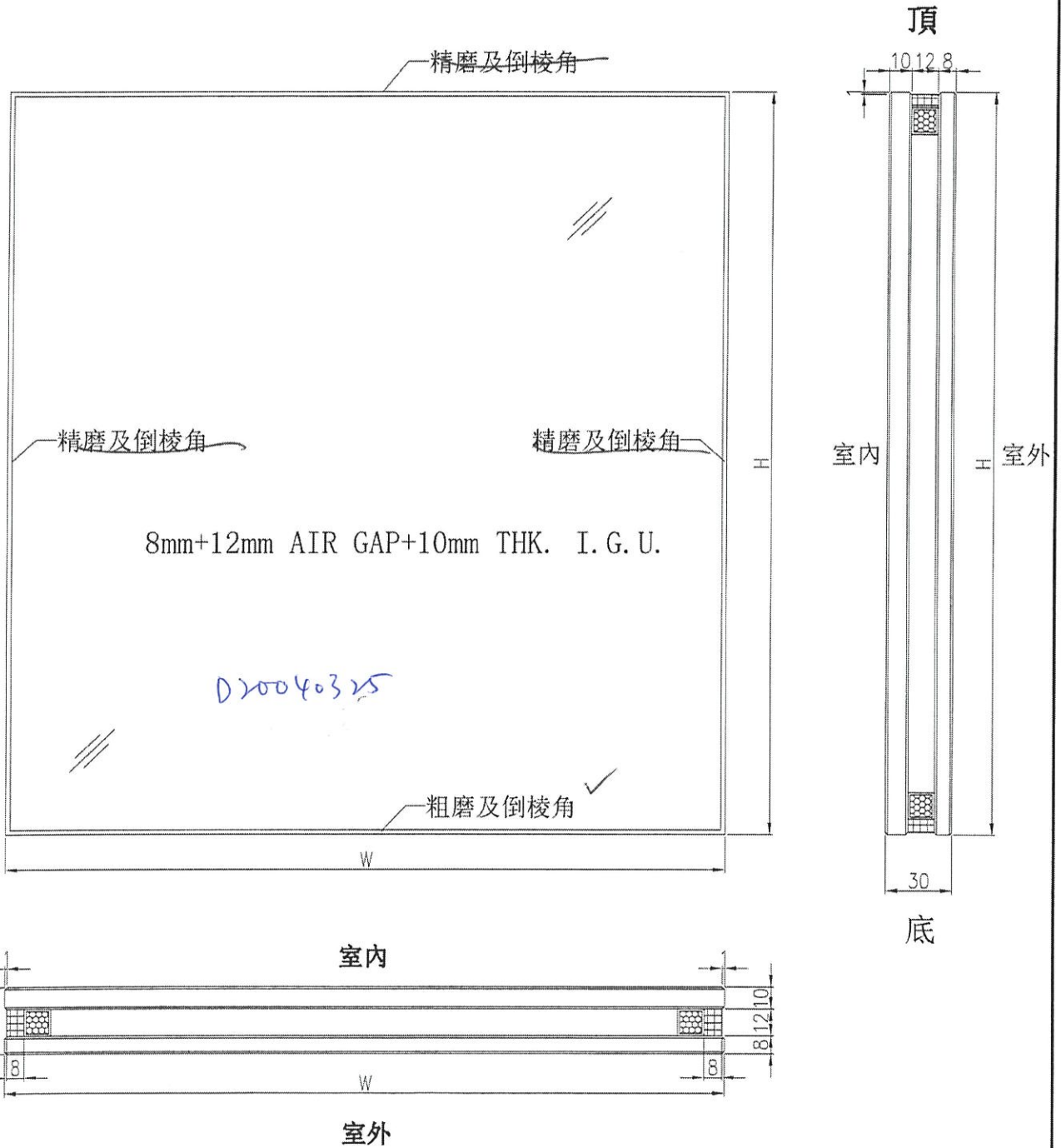
- 加工注意事項:**
- 1). 本表中之所有玻璃顏色待定。本工程使用 Low Iron
 - 2). 本表中所有玻璃對角線尺寸偏差要求不超過負2mm。
 - 3). 本表中玻璃要求粗磨邊處理並倒棱角，而所有玻璃之入爐方向需保持一致。
 - 4). 本表中所有玻璃成品均需做雙面保護，用透明靜電膠紙加四周一寸PK白膠紙做雙面加固保護處理。
 - 5). 本表中所有玻璃成品均需注明室內外及其玻璃編號，以便識別。

 美特鋁質 有限公司 MIDI Aluminium Fabricator Ltd.	類別		物料號	
	制圖	ivan	2020-09-04	圖號 GL03-001~004
修改			復核	數量 一
日期			批准	位置 後裝窗用



工程號	J-852	地盤	—	附 件
名稱	玻璃加工圖		採用	
材料	6mm+12mm AIR GAP+6mm THK. I.G.U.		地盤	
顏色	—		工廠 <input checked="" type="checkbox"/>	

 美特鋁質 MIDI Aluminium Fabricator Ltd.	類別		物料號	
	制圖	Ivan	2020-09-04	圖號 GL01-001~011
修改		復核		數量 一
日期		批准		位置 後裝窗用



工程號	J-852	地盤	—	附 件
名稱	玻璃加工圖		採用	
材料	8mm+12mm AIR GAP+10mm THK. I.G.U.		地盤	
顏色	—	工廠	✓	



MIDI ALUMINIUM FABRICATOR LTD.

Units 6, 7, 8 Survey Industrial Centre, 1st Floor, 610 Chag Kwa Ling Road, Kowloon

Project : Nos. 139-147 Argyle Street, Kowloon

Subject : (Alternative Option) 4th Submission of Glass Sample (Low Iron IGU, Silver Tinted IGU with SC=0.68 & Re-submission of Clear IGU with SC=0.34) (MS025)

Silver Tinted IGU with SC=0.68
8mm low-iron HS (with low-e coating in light grey colour at surface #2)
+ 12mm Air Gap + 10mm low-iron HST - For Sliding Door & Vision Glass

Sample Code : D20040121, *Low. E 4L 2E*
(SHEET-43T(HS)+12A+10CB)

Letter ref. : MC/39452/82

Date : 5th May 2020

From: "Billy Tang (Development)" <billytang@sino.com>
To: "midi@midiltd.com.hk" <midi@midiltd.com.hk>,
"bessie.lps.midi@gmail.com" <bessie.lps.midi@gmail.com>
Copies to: "Gordon Lee" <gordonlee@sino.com>,
"Jimmy Cheung Ngai Hang" <jimmynhcheung@sino.com>,
"Edwin Chow" <edwinchow@sino.com>,
"KIL6038 (Argyle Street)" <kil6038@sino.com>,
"Jackson Chor Chiu Mok" <Jackson.Mok@gammonconstruction.com>,
"Man Dick Yuen" <ManDick.Yuen@gammonconstruction.com>,
"raymondho@agcdesign.com.hk" <raymondho@agcdesign.com.hk>,
"eliotchan@agcdesign.com.hk" <eliotchan@agcdesign.com.hk>,
"brian.leung@mfacade.com" <brian.leung@mfacade.com>,
"Yoanna Chan" <yoanna.chan@mfacade.com>,
"Peter Chong" <peterchong@sino.com>,
"anthea.ng@wsp.com" <anthea.ng@wsp.com>
Subject: CLP - Confirmation on Glass type / data for production
Date sent: Wed, 2 Dec 2020 04:39:04 +0000

Dear Marco, Bessie,

Further to our subsequent discussions regarding the Glass sample (Low Iron IGU, sliver tinted glass (IGU) with SC=0.68, Please formal submit the material submission for approval.

Regards

BT

DA. REF :

CLIENT :

ARCHITECT : AGC
BESTERLYS
S.P. 100, 101, 102, 103, 104, 105, 106, 107, 108, 109, 110, 111, 112, 113, 114, 115, 116, 117, 118, 119, 120, 121, 122, 123, 124, 125, 126, 127, 128, 129, 130, 131, 132, 133, 134, 135, 136, 137, 138, 139, 140, 141, 142, 143, 144, 145, 146, 147, 148, 149, 150, 151, 152, 153, 154, 155, 156, 157, 158, 159, 160, 161, 162, 163, 164, 165, 166, 167, 168, 169, 170, 171, 172, 173, 174, 175, 176, 177, 178, 179, 180, 181, 182, 183, 184, 185, 186, 187, 188, 189, 190, 191, 192, 193, 194, 195, 196, 197, 198, 199, 200, 201, 202, 203, 204, 205, 206, 207, 208, 209, 210, 211, 212, 213, 214, 215, 216, 217, 218, 219, 220, 221, 222, 223, 224, 225, 226, 227, 228, 229, 230, 231, 232, 233, 234, 235, 236, 237, 238, 239, 240, 241, 242, 243, 244, 245, 246, 247, 248, 249, 250, 251, 252, 253, 254, 255, 256, 257, 258, 259, 260, 261, 262, 263, 264, 265, 266, 267, 268, 269, 270, 271, 272, 273, 274, 275, 276, 277, 278, 279, 280, 281, 282, 283, 284, 285, 286, 287, 288, 289, 290, 291, 292, 293, 294, 295, 296, 297, 298, 299, 300, 301, 302, 303, 304, 305, 306, 307, 308, 309, 310, 311, 312, 313, 314, 315, 316, 317, 318, 319, 320, 321, 322, 323, 324, 325, 326, 327, 328, 329, 330, 331, 332, 333, 334, 335, 336, 337, 338, 339, 340, 341, 342, 343, 344, 345, 346, 347, 348, 349, 350, 351, 352, 353, 354, 355, 356, 357, 358, 359, 360, 361, 362, 363, 364, 365, 366, 367, 368, 369, 370, 371, 372, 373, 374, 375, 376, 377, 378, 379, 380, 381, 382, 383, 384, 385, 386, 387, 388, 389, 390, 391, 392, 393, 394, 395, 396, 397, 398, 399, 400, 401, 402, 403, 404, 405, 406, 407, 408, 409, 410, 411, 412, 413, 414, 415, 416, 417, 418, 419, 420, 421, 422, 423, 424, 425, 426, 427, 428, 429, 430, 431, 432, 433, 434, 435, 436, 437, 438, 439, 440, 441, 442, 443, 444, 445, 446, 447, 448, 449, 450, 451, 452, 453, 454, 455, 456, 457, 458, 459, 460, 461, 462, 463, 464, 465, 466, 467, 468, 469, 470, 471, 472, 473, 474, 475, 476, 477, 478, 479, 480, 481, 482, 483, 484, 485, 486, 487, 488, 489, 490, 491, 492, 493, 494, 495, 496, 497, 498, 499, 500, 501, 502, 503, 504, 505, 506, 507, 508, 509, 510, 511, 512, 513, 514, 515, 516, 517, 518, 519, 520, 521, 522, 523, 524, 525, 526, 527, 528, 529, 530, 531, 532, 533, 534, 535, 536, 537, 538, 539, 540, 541, 542, 543, 544, 545, 546, 547, 548, 549, 550, 551, 552, 553, 554, 555, 556, 557, 558, 559, 560, 561, 562, 563, 564, 565, 566, 567, 568, 569, 570, 571, 572, 573, 574, 575, 576, 577, 578, 579, 580, 581, 582, 583, 584, 585, 586, 587, 588, 589, 590, 591, 592, 593, 594, 595, 596, 597, 598, 599, 600, 601, 602, 603, 604, 605, 606, 607, 608, 609, 610, 611, 612, 613, 614, 615, 616, 617, 618, 619, 620, 621, 622, 623, 624, 625, 626, 627, 628, 629, 630, 631, 632, 633, 634, 635, 636, 637, 638, 639, 640, 641, 642, 643, 644, 645, 646, 647, 648, 649, 650, 651, 652, 653, 654, 655, 656, 657, 658, 659, 660, 661, 662, 663, 664, 665, 666, 667, 668, 669, 670, 671, 672, 673, 674, 675, 676, 677, 678, 679, 680, 681, 682, 683, 684, 685, 686, 687, 688, 689, 690, 691, 692, 693, 694, 695, 696, 697, 698, 699, 700, 701, 702, 703, 704, 705, 706, 707, 708, 709, 710, 711, 712, 713, 714, 715, 716, 717, 718, 719, 720, 721, 722, 723, 724, 725, 726, 727, 728, 729, 730, 731, 732, 733, 734, 735, 736, 737, 738, 739, 740, 741, 742, 743, 744, 745, 746, 747, 748, 749, 750, 751, 752, 753, 754, 755, 756, 757, 758, 759, 760, 761, 762, 763, 764, 765, 766, 767, 768, 769, 770, 771, 772, 773, 774, 775, 776, 777, 778, 779, 780, 781, 782, 783, 784, 785, 786, 787, 788, 789, 790, 791, 792, 793, 794, 795, 796, 797, 798, 799, 800, 801, 802, 803, 804, 805, 806, 807, 808, 809, 810, 811, 812, 813, 814, 815, 816, 817, 818, 819, 820, 821, 822, 823, 824, 825, 826, 827, 828, 829, 830, 831, 832, 833, 834, 835, 836, 837, 838, 839, 840, 841, 842, 843, 844, 845, 846, 847, 848, 849, 850, 851, 852, 853, 854, 855, 856, 857, 858, 859, 860, 861, 862, 863, 864, 865, 866, 867, 868, 869, 870, 871, 872, 873, 874, 875, 876, 877, 878, 879, 880, 881, 882, 883, 884, 885, 886, 887, 888, 889, 890, 891, 892, 893, 894, 895, 896, 897, 898, 899, 900, 901, 902, 903, 904, 905, 906, 907, 908, 909, 910, 911, 912, 913, 914, 915, 916, 917, 918, 919, 920, 921, 922, 923, 924, 925, 926, 927, 928, 929, 930, 931, 932, 933, 934, 935, 936, 937, 938, 939, 940, 941, 942, 943, 944, 945, 946, 947, 948, 949, 950, 951, 952, 953, 954, 955, 956, 957, 958, 959, 960, 961, 962, 963, 964, 965, 966, 967, 968, 969, 970, 971, 972, 973, 974, 975, 976, 977, 978, 979, 980, 981, 982, 983, 984, 985, 986, 987, 988, 989, 990, 991, 992, 993, 994, 995, 996, 997, 998, 999, 1000

STRUCTURAL ENGINEER : Gammon
ARUP
MEINHARDT

NOTE:
1. ALL DIMENSIONS ARE IN mm.
2. ALL DIMENSIONS ARE VIEWED FROM OUTSIDE.
3. ALL DIMENSIONS TO BE VERIFIED ON SITE BEFORE PROCEEDING.

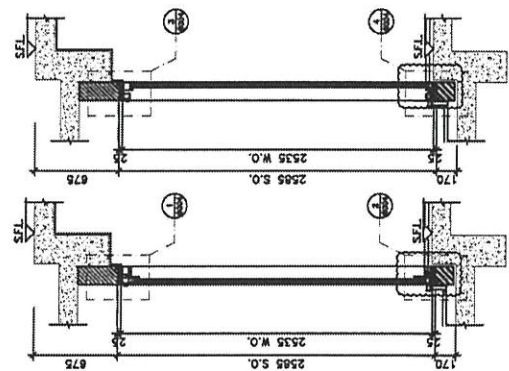
LEGEND:
DETAIL MARK NO. REFER SHEET NO.
1. PFL - FINISHED FLOOR LEVEL
2. SFL - STRUCTURAL FLOOR LEVEL
3. RFL - REVERSED DETAIL
4. A - FRING LOCUS LOCATION
5. D - CLASS LEGEND
6. CLASS LEGEND
GLO1 - 6mm-12mm AIR GAP-10mm THK LGCL
GLO2 - 6mm-12mm AIR GAP-10mm THK LGCL
GLO3 - 6mm-12mm AIR GAP-10mm THK LGCL
GLO4 - 6mm-12mm AIR GAP-10mm THK LGCL
GLO5 - 6mm-12mm AIR GAP-10mm THK LGCL

TABLE 1: WINDOW SCHEDULE FOR IN-SITU ALUM. WINDOW

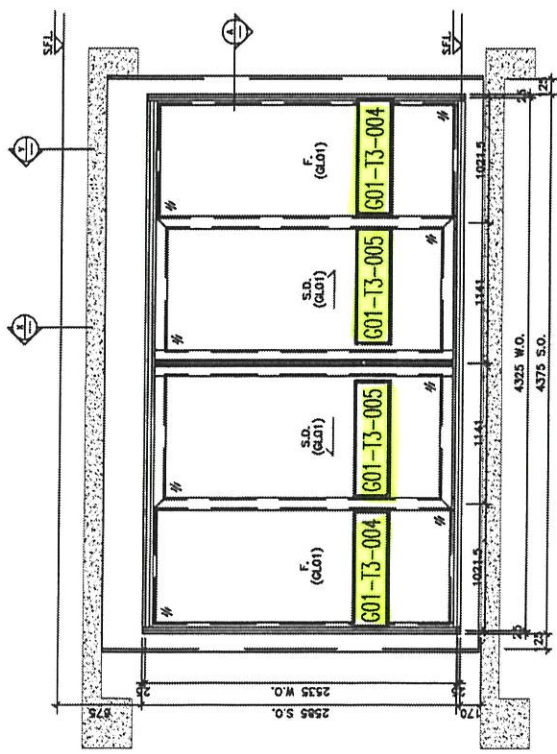
TYPE	MARKING OR DIMENSION	QUANTITY	REMARKS
GLAZING AREA	111	64	
OPENABLE AREA	233	227	
TOTAL	344	291	

PROJECT : RESIDENTIAL DEVELOPMENT
AT 130 - 147 ARGYLE STREET,
MOUL 6005, 6035 R.P., 6036 R.P.,
6037 R.P. & 6038 R.P.

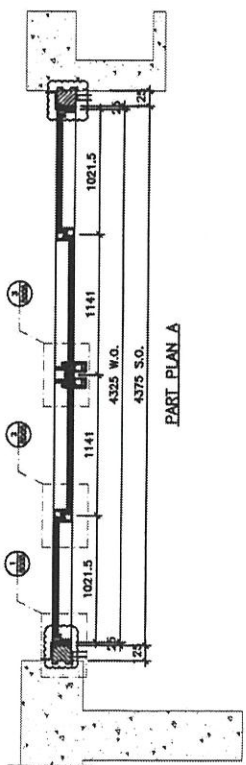
DATE : 05-FEB-20 SCALE : 1:100
DRAWN BY : JMH CHECKED BY : DJW
JOB NO. : J-8522
REVISIONS:
NO. DATE BY



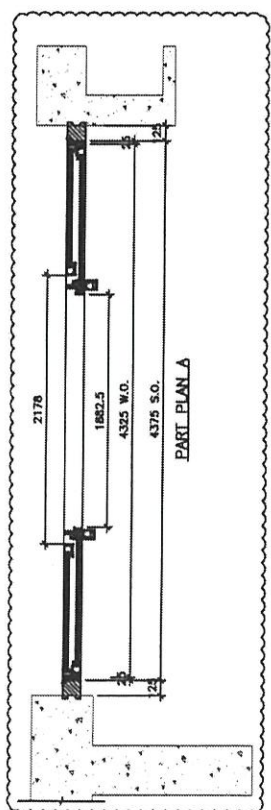
SECTION X-X
SECTION Y-Y



ELEVATION



PART PLAN A



PART PLAN B

TABLE 2: WINDOW SCHEDULE FOR IN-SITU ALUM. WINDOW

TYPE	MARKING OR DIMENSION	QUANTITY	REMARKS
GLAZING AREA	111	64	
OPENABLE AREA	233	227	
TOTAL	344	291	

PROVIDED
GLAZING AREA 8.714 m²
OPENABLE AREA 4.473 m²

WINDOW MARK	LOCATION	SECTION	GLAZING	QUANTITY	REMARKS
WT 130	1/F~21/F LV./DIN. AT TOWER 3 FLAT A	67mm ALUM. SECTION	GLO1	18	FAÇADE (PF-38)

UNITED STATES OF AMERICA
MIDI
Unit 8-1, Sunny Industrial Centre, 1/F
110 Cheong Chee Road, #08-01
Singapore 540011-1 | Tel: 65 63772766

BD. REF :

CLIENT :

ARCHITECT : AGC
REGISTERED ARCHITECTS
111, ROBINSON ROAD
SINGAPORE 068972

MAIN CONTRACTOR :



STRUCTURAL ENGINEER :



FRAME CONSULTANT :



NOTE :
1. ALL DIMENSIONS ARE IN MM.
2. ALL DIMENSIONS ARE VIEWED FROM OUTSIDE.
3. ALL DIMENSIONS TO BE NOTED ON SITE.
4. REFER TO DRAWING FOR MORE INFORMATION.

LEGEND :

- 1. P.F.L. — FINISHED FLOOR LEVEL.
- 2. S.F.L. — STRUCTURAL FLOOR LEVEL.
- 3. (A) — REVERSED DETAIL.
- 4. (A) — FRAMING LUG LOCATION.
- 5. (A) — FRAMING LUG LOCATION.
- 6. (A) — GLASS LEDGER.

GLAZING MARK NO.
1. P.F.L. — FINISHED FLOOR LEVEL.
2. S.F.L. — STRUCTURAL FLOOR LEVEL.
3. (A) — REVERSED DETAIL.
4. (A) — FRAMING LUG LOCATION.
5. (A) — FRAMING LUG LOCATION.
6. (A) — GLASS LEDGER.

GLAZING MARK NO. ARE OPEN TO THE LEFT.
GLAZING MARK NO. ARE OPEN TO THE RIGHT.
GLAZING MARK NO. ARE OPEN TO THE TOP.
GLAZING MARK NO. ARE OPEN TO THE BOTTOM.

JOB NO. : J-852

PROJECT : PROPOSED RESIDENTIAL DEVELOPMENT
AT 138 - 147 ARKYLE STREET,
MND 6005, 6035 R.P., 6036 R.P.,
6037 R.P. & 6038 R.P.

TITLE : WINDOW SCHEDULE FOR
IN-SITU ALUM. WINDOW

DATE : 05-FEB-20 SCALE : 1:100

DRAWN BY : LAM CHECKED BY : DW

UNIT : mm

REVISIONS SELECTED BY ARCHITECT

DATE : 05-FEB-20 SCALE : 1:100

DRAWN BY : LAM CHECKED BY : DW

UNIT : mm

REVISIONS SELECTED BY ARCHITECT

DATE : 05-FEB-20 SCALE : 1:100

DRAWN BY : LAM CHECKED BY : DW

UNIT : mm

REVISIONS SELECTED BY ARCHITECT

DATE : 05-FEB-20 SCALE : 1:100

DRAWN BY : LAM CHECKED BY : DW

UNIT : mm

REVISIONS SELECTED BY ARCHITECT

DATE : 05-FEB-20 SCALE : 1:100

DRAWN BY : LAM CHECKED BY : DW

UNIT : mm

REVISIONS SELECTED BY ARCHITECT

DATE : 05-FEB-20 SCALE : 1:100

DRAWN BY : LAM CHECKED BY : DW

UNIT : mm

REVISIONS SELECTED BY ARCHITECT

DATE : 05-FEB-20 SCALE : 1:100

DRAWN BY : LAM CHECKED BY : DW

UNIT : mm

REVISIONS SELECTED BY ARCHITECT

DATE : 05-FEB-20 SCALE : 1:100

DRAWN BY : LAM CHECKED BY : DW

UNIT : mm

REVISIONS SELECTED BY ARCHITECT

DATE : 05-FEB-20 SCALE : 1:100

DRAWN BY : LAM CHECKED BY : DW

UNIT : mm

REVISIONS SELECTED BY ARCHITECT

DATE : 05-FEB-20 SCALE : 1:100

DRAWN BY : LAM CHECKED BY : DW

UNIT : mm

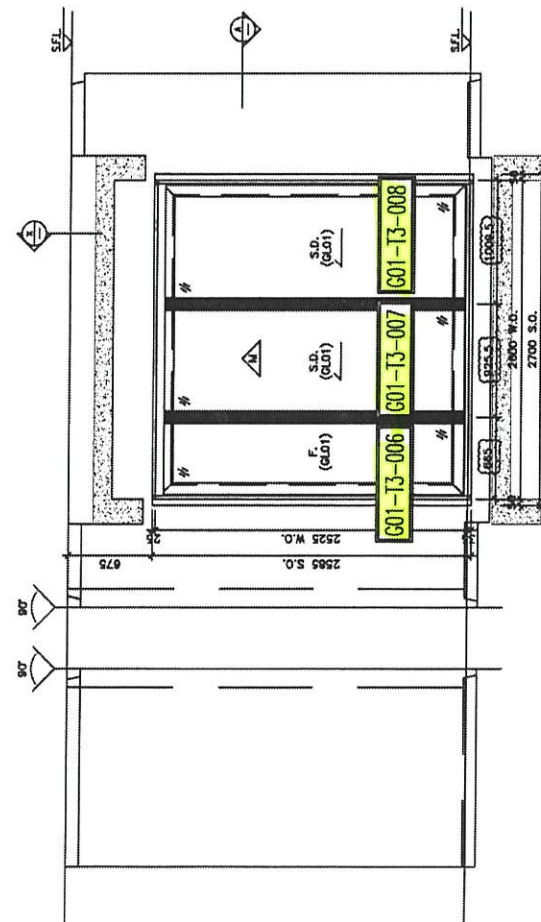
REVISIONS SELECTED BY ARCHITECT

DATE : 05-FEB-20 SCALE : 1:100

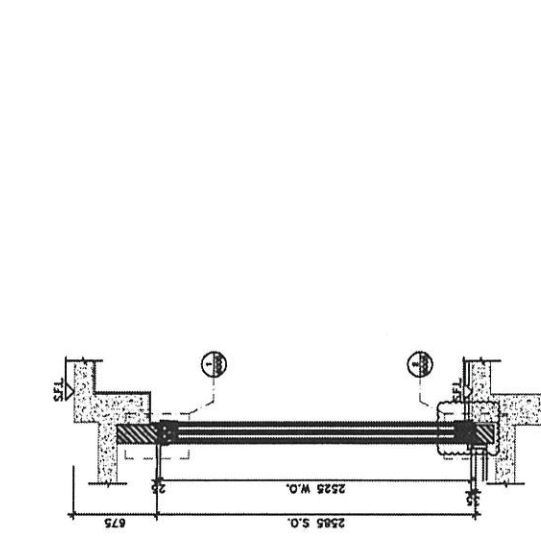
DRAWN BY : LAM CHECKED BY : DW

UNIT : mm

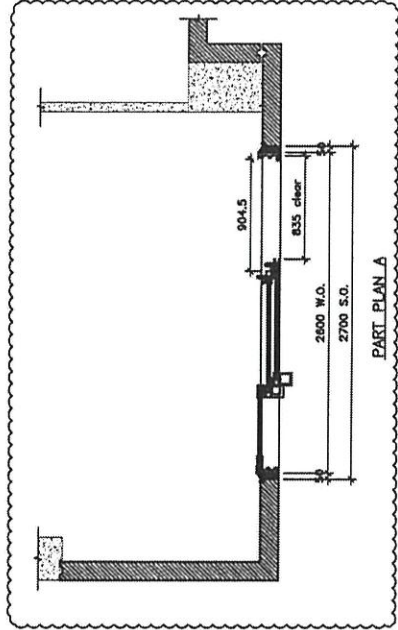
REVISIONS SELECTED BY ARCHITECT



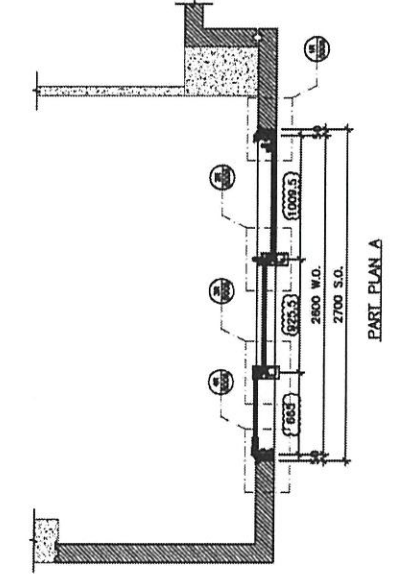
ELEVATION



SECTION 'X-X'



PART PLAN A



PART PLAN A

ITEM NO.	DESCRIPTION	UNIT	QUANTITY
1	GLAZING AREA	m ²	4.793
2	OPENABLE AREA	m ²	1.931

PROVIDED

GLAZING AREA 4.793 m²

OPENABLE AREA 1.931 m²

WT 18

GLAZING 50mm ALUM. SECTION

GLAZING GL01

QUANTITY 18

REMARKS FACADE (PF-17)

1/F~21/F ENSUITE AT TOWER 3 FLAT A

50mm ALUM. SECTION

GLAZING

GL01

QUANTITY

18

REMARKS

FACADE (PF-17)

WINDOW MARK

LOCATION 1/F~21/F ENSUITE AT TOWER 3 FLAT A

SECTION 50mm ALUM. SECTION

GLAZING GL01

QUANTITY 18

REMARKS FACADE (PF-17)

WINDOW MARK

LOCATION 1/F~21/F ENSUITE AT TOWER 3 FLAT A

SECTION 50mm ALUM. SECTION

GLAZING GL01

QUANTITY 18

REMARKS FACADE (PF-17)

WINDOW MARK

LOCATION 1/F~21/F ENSUITE AT TOWER 3 FLAT A

SECTION 50mm ALUM. SECTION

GLAZING GL01

QUANTITY 18

REMARKS FACADE (PF-17)

WINDOW MARK

LOCATION 1/F~21/F ENSUITE AT TOWER 3 FLAT A

SECTION 50mm ALUM. SECTION

GLAZING GL01

QUANTITY 18

REMARKS FACADE (PF-17)

BD. REF :

CLIENT :

ARCHITECT : AGC DESIGN LTD
110 On The Bay Road, #05-01/02
SINGAPORE 102561

MAIN CONTRACTOR :

STRUCTURAL ENGINEER : **Gammon**
ARUP
POKKE CONSULTING: **MEINHARDT**

NOTE:

1. ALL DIMENSIONS ARE IN MM.
2. ALL DIMENSIONS ARE VIEWED FROM OUTSIDE.
3. ALL DIMENSIONS TO BE NOTED ON SITE BEFORE PROCEEDING.

LEGEND:

DETAIL MARK NO.
REFER SHEET NO.

1. PFL - FINISHED FLOOR LEVEL
2. SFL - STRUCTURAL FLOOR LEVEL
3. RSD - REVERSED DETAIL
4. ▲ - FRING LOCATIONS
5. ▲ - FRING LUM LOCATIONS
6. GLASS LEGEND

GL01 - 8mm+12mm AIR GAP+12mm THK LGU.
 GL02 - 8mm THK TEMPERED GLASS (PANEL GLASS)
 GL03 - 8mm+12mm AIR GAP+8mm THK LGU.
 GL04 - 8mm THK TEMPERED GLASS (PANEL GLASS)
 GL05 - 8mm+12mm AIR GAP+8mm THK LGU.

#	DATE/ISSUE	REVISION SUBJECT TO AMENDMENT
1	15/01/2018	ISSUED FOR PERMIT
2	15/01/2018	ISSUED FOR PERMIT

JOB NO. : J-802

PROJECT : PROPOSED RESIDENTIAL DEVELOPMENT
 AT 139 - 147 ARCADE STREET,
 NNH 0005, 6035 R.P., 6036 R.P.,
 6037 R.P. & 6038 R.P.

TITLE : WINDOW SCHEDULE FOR
 IN-SITU ALUM. WINDOW

DWG DATE : 05-FEB-20

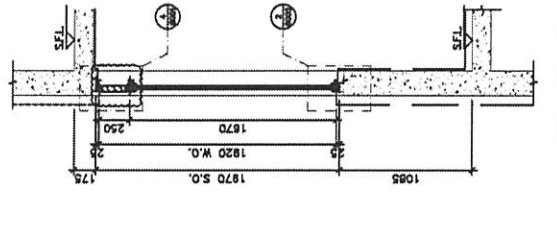
SCALE : 1:100

DRAWN BY : JLN

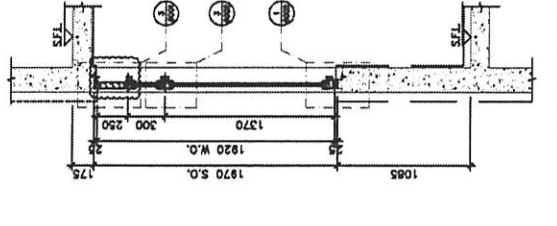
CHECKED BY : DJW

UNITED EAST ASIAN TRADING CO. LTD.
 MIDORI ENGINEERING CONSULTANTS PTE. LTD.
 110 On The Bay Road, #05-01/02
 SINGAPORE 102561

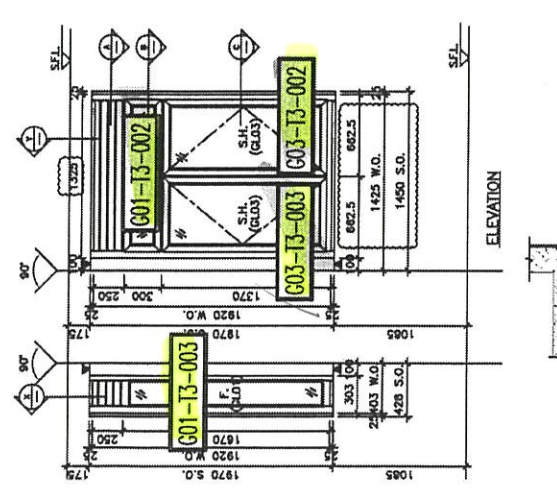
REV. : B



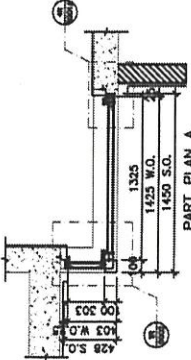
SECTION X-X



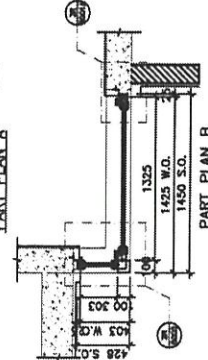
SECTION Y-Y



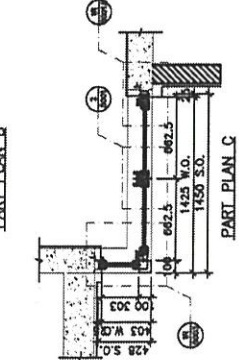
ELEVATION



PART PLAN A



PART PLAN B



PART PLAN C

TABLE

ITEM	DESCRIPTION	UNIT	QUANTITY
1	GLAZING AREA	m ²	1,706
2	OPENABLE AREA	m ²	1,432

PERMITTED

GLAZING AREA 1,706 m²

OPENABLE AREA 1,432 m²

WINDOW MARK	LOCATION	SECTION	GLAZING	QUANTITY	REMARKS
WB 13B	1/F~21/F KIT. AT TOWER 3 FLAT B	50mm ALUM. SECTION	GL01, GL03	18	

