

工程指示 / 要求簡箋(E.I.)

工程指示編號：EI / 2819 / 20

修改版次：-

工程編號：J - 852

工程名稱：亞皆老街中電

工程項目：佛沙窗 Mockup 用玻璃 B.M. (5/F) T3 (39 件)

收件人：Maggie

發件人：Ant Yeung

日期：14/12/2020

要求提供 / 確認 事項：

- | | | |
|------------------------------------|-------------------------------------|-------------------------------|
| <input type="checkbox"/> 初步鋁料 B.M. | <input type="checkbox"/> 加工拆圖，然後生產 | <input type="checkbox"/> 尺寸表 |
| <input type="checkbox"/> 正式鋁料 B.M. | <input type="checkbox"/> 技術上資料 / 指示 | <input type="checkbox"/> 報價 |
| <input type="checkbox"/> 配件 B.M. | <input type="checkbox"/> 樣辦或貨品說明書 | <input type="checkbox"/> 分判合約 |
| <input type="checkbox"/> 其他：_____ | | |

內容：

按業主要求，所有 Low-E 玻璃的 SC 為 0.68 (與 EI2782 相同)。所有玻璃尺寸沒有更改。

1. Low-E: 8SEE0-83T

8SEE0-83T(HS)+12(A)+10CB 原先編號由 D20070681 改為 D20040325

玻璃要做 Heat Soak

IGU 膠用 DC983

棚河玻璃不來訂，E12549已訂

請按 BM 訂購 5/F 用玻璃 (39 件) 直送地盤 (T3)

請在 2021.01.15 前完成上列要求。理只訂 T3

附：2 頁 BM + 1 頁

以上項目為：

- 原合約工程包 原合約工程加 / 減賬 新工程報價

原因：-

分發東莞各部門：

- () 生產技術總監 連附件 () 技術部 連附件 () 生產部 連附件 () 機械設計部 連附件
 () 採購部 連附件 () 生產統籌部 連附件 () 小羅 & 清 連附件
 () 質檢部 連附件 () 會計部 連附件 () 報關組 連附件 () 其他 楊榮輝 連附件

分發其他分判：

- (v) 水洪 連附件

分發香港各部門：

- () 行政部 連附件 () 會計部 連附件 () 統籌部 連附件 () 工程部地盤科文 連附件 祥哥
 () 採購部 連附件 () QS 部 連附件 () 維修部 連附件 () 其他 _____ 連附件

傳遞編號：

HK / 20

發件人簽署：Ant Yeung

項目經理簽署：1-f R

美特鋁質有限公司 MIDI Aluminium Fabricator Ltd.		工程號:	J852	計算:	Ivan	日期:	2020.10.06	送呈:		
地盤名稱:		核對:		厚度 (mm)	玻璃尺寸	日期:		副本:		
項目類別:		批准:	佛沙窗T3玻璃 (5F)	24.0	寬度 (W mm)	日期:		A/C Code:		
修改版次:		總計玻璃面積 (平方米):			高度 (H mm)		48.66			
序號	修改內容	玻璃圖號	顏色與類型	厚度 (mm)	寬度 (W mm)	高度 (H mm)	數量 (塊)	總面積 (平方米)	使用位置	加工圖參考
1		GL03-T3-01	6mm+12mm AIR GAP+6mm THK. I.G.U. <i>LOWE 85EE0-83T</i>	24.0	603.0	1933.0	6	6.99	佛沙窗T3	GL03-T3-01
2		GL03-T3-02			803.0	1218.0	3	2.93	佛沙窗T3	GL03-T3-02
3		GL03-T3-03			803.0	1263.0	2	2.03	佛沙窗T3	GL03-T3-03
4		GL03-T3-04			598.0	1933.0	8	9.25	佛沙窗T3	GL03-T3-04
5		GL03-T3-05			348.0	1228.0	2	0.85	佛沙窗T3	GL03-T3-05
6		GL03-T3-06			398.0	1933.0	2	1.54	佛沙窗T3	GL03-T3-06
7		GL03-T3-07			248.0	1263.0	1	0.31	佛沙窗T3	GL03-T3-07
8		GL03-T3-08			323.0	1263.0	1	0.41	佛沙窗T3	GL03-T3-08
9		GL03-T3-09			523.0	1933.0	2	2.02	佛沙窗T3	GL03-T3-09
					合計:		27	26.34		
1		GL01-T3-01	8mm+12mm AIR GAP+10mm THK. I.G.U. <i>D20040325 ✓</i> <i>LOWE 85EE0-83T</i>	30.0	1286.0	2056.0	2	5.29	佛沙窗T3	GL01-T3-01
2		GL01-T3-02			803.0	608.0	3	1.46	佛沙窗T3	GL01-T3-02
3		GL01-T3-03			886.0	2056.0	1	1.82	佛沙窗T3	GL01-T3-03
4		GL01-T3-04			803.0	458.0	2	0.74	佛沙窗T3	GL01-T3-04
5		GL01-T3-05			248.0	458.0	1	0.11	佛沙窗T3	GL01-T3-05
6		GL01-T3-06			323.0	458.0	1	0.15	佛沙窗T3	GL01-T3-06
7		GL01-T3-07			496.0	2056.0	1	1.02	佛沙窗T3	GL01-T3-07
					合計:		11	10.59		

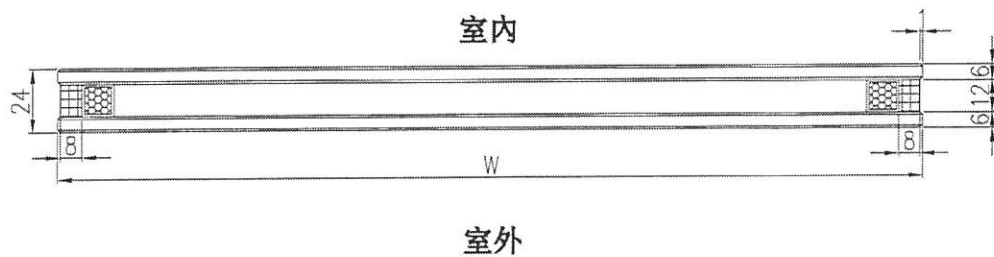
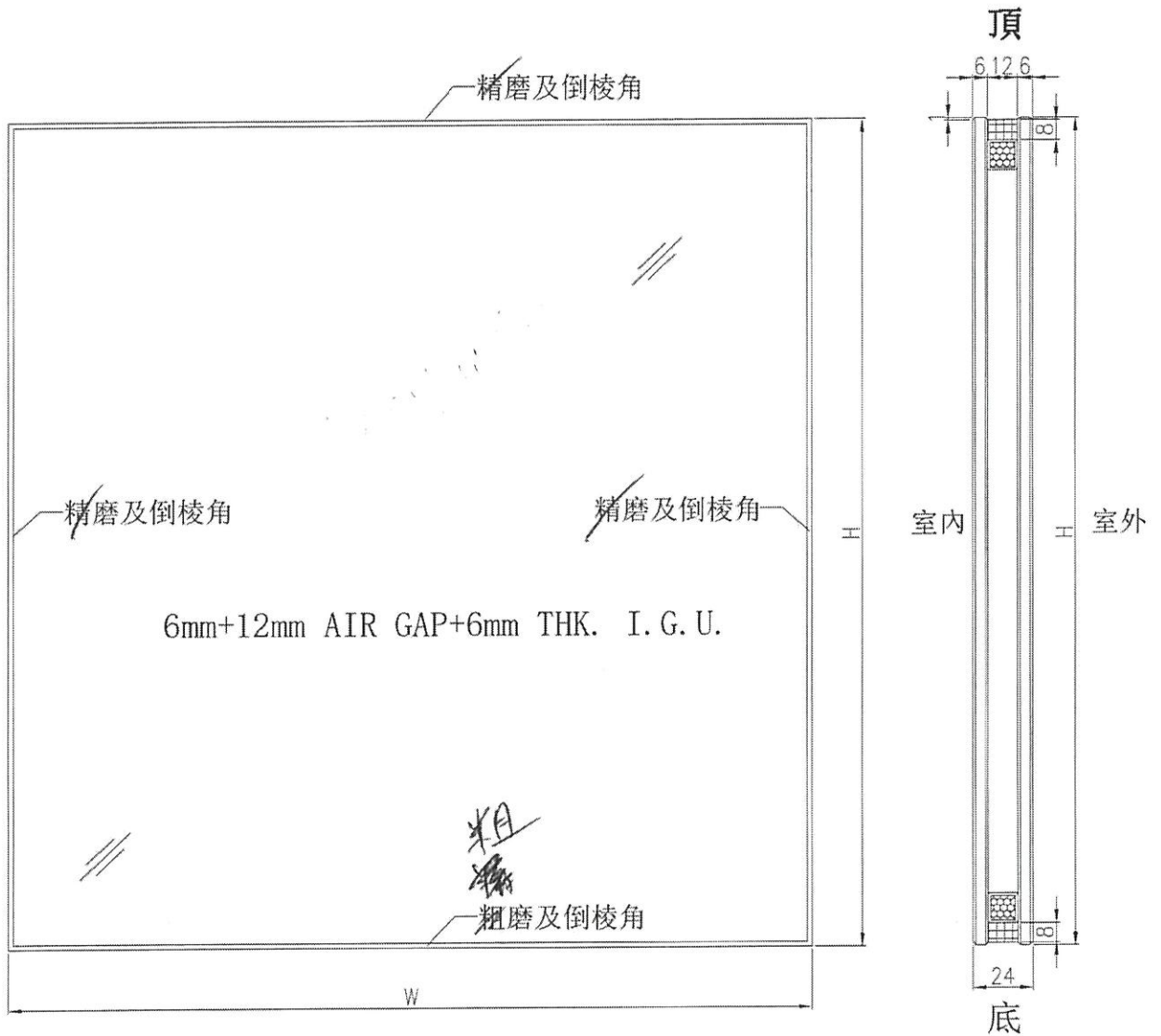
SC: 0.68

美特鋁質 MIDI Aluminium Fabricator Ltd.	工程號:	J852	計算:	Ivan	日期:	2020.10.06	送呈:
	地盤名稱:	佛沙窗T3玻璃(5F)	核對:		日期:		副本:
地盤用玻璃B.M.表	項目類別:	佛沙窗T3玻璃(5F)	批准:		日期:		A/C Code:
BM編號:	修改版次:		總計玻璃面積(平方米):	48.66			

序號	修改內容	玻璃圖號	顏色與類型	厚度(mm)	玻璃尺寸		數量(塊)	總面積(平方米)	使用位置	加工圖參考
					寬度(W mm)	高度(H mm)				
1		GL01a-T3-01	8mm+9mm AIR GAP+12mm THK. I.G.U.	29.0	2376.0	2056.0	1	4.89	佛沙窗T3	GL01a-T3-01
1		GL04-T3-01	LOWE 85E40-83T		664.0	合計: 593.0	6	4.89	佛沙窗T3	GL04-T3-01
2		GL04-T3-02	D 200706fc		659.0	593.0	8	3.13	佛沙窗T3	GL04-T3-02
3		GL04-T3-03	10mm THK. TEMPERED GLASS (PROTECTIVE BARRIER)	10.0	459.0	593.0	2	0.54	佛沙窗T3	GL04-T3-03
4		GL04-T3-04	已訂購		584.0	593.0	2	0.69	佛沙窗T3	GL04-T3-04
5		GL04-T3-05			309.0	368.0	1	0.11	佛沙窗T3	GL04-T3-05
						合計:	19	6.84		
						總計:	39	48.66		

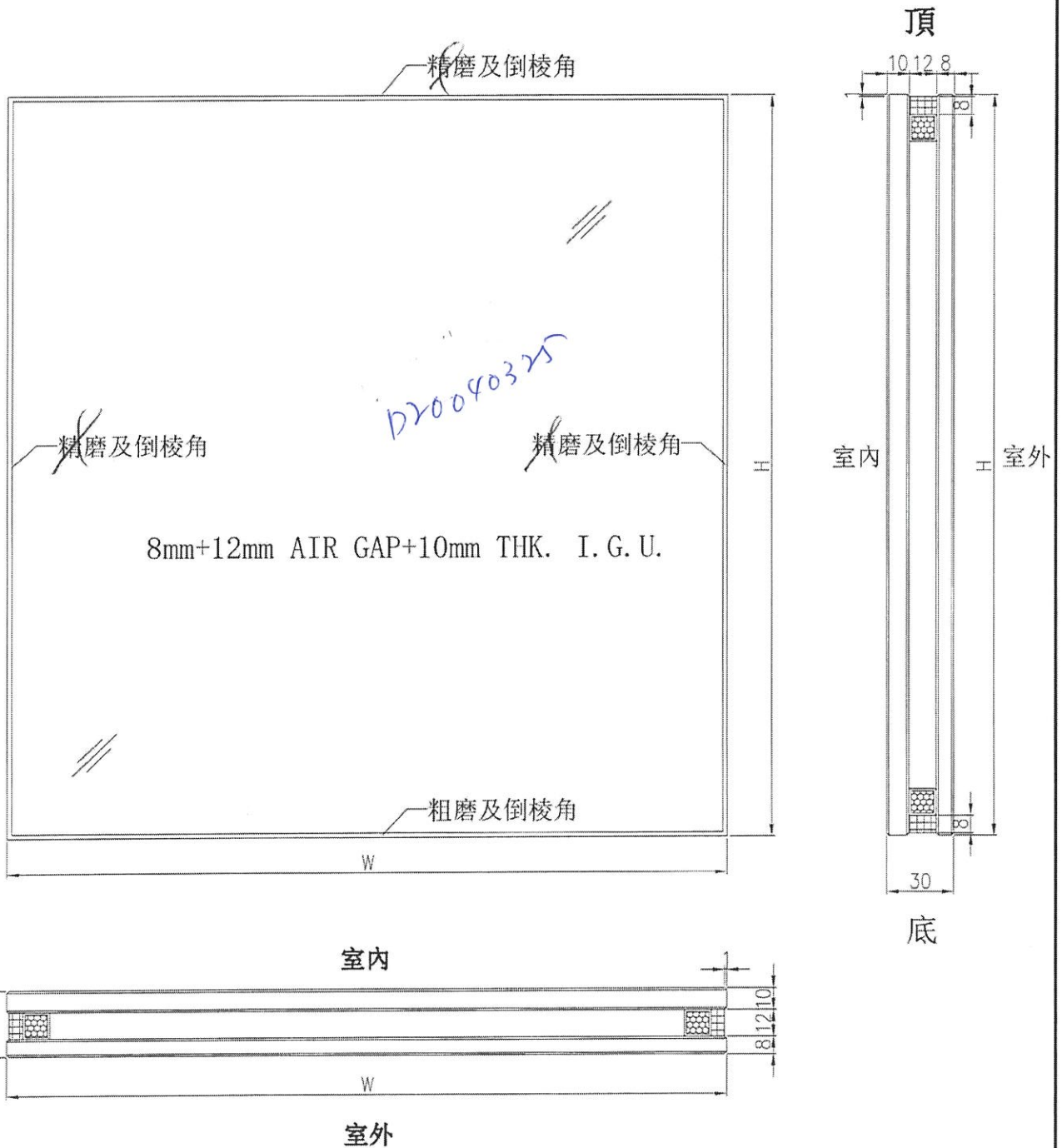
- 加工注意事項:
- 1). 本表中所有玻璃顏色待定。 按D字頭玻璃。
 - 2). 本表中所有玻璃對角線尺寸偏差要求不超過負2mm。
 - 3). 本表中玻璃要求粗磨邊處理並倒棱角，而所有玻璃之入爐方向需保持一致。 相同玻璃頂底玻璃。
 - 4). 本表中所有玻璃成品均需做雙面保護，用透明靜電膠紙加四周一寸PK白膠紙做雙面加固保護處理。
 - 5). 本表中所有玻璃成品均需注明室內外及其玻璃編號，以便識別。

 美特鋁質 有限公司 MIDI Aluminium Fabricator Ltd.				類別	物料號	圖號	GL03-T3-01~09
修改				制圖	ivan	2020-09-04	數量
日期				復核			位置
				批准			佛沙窗用



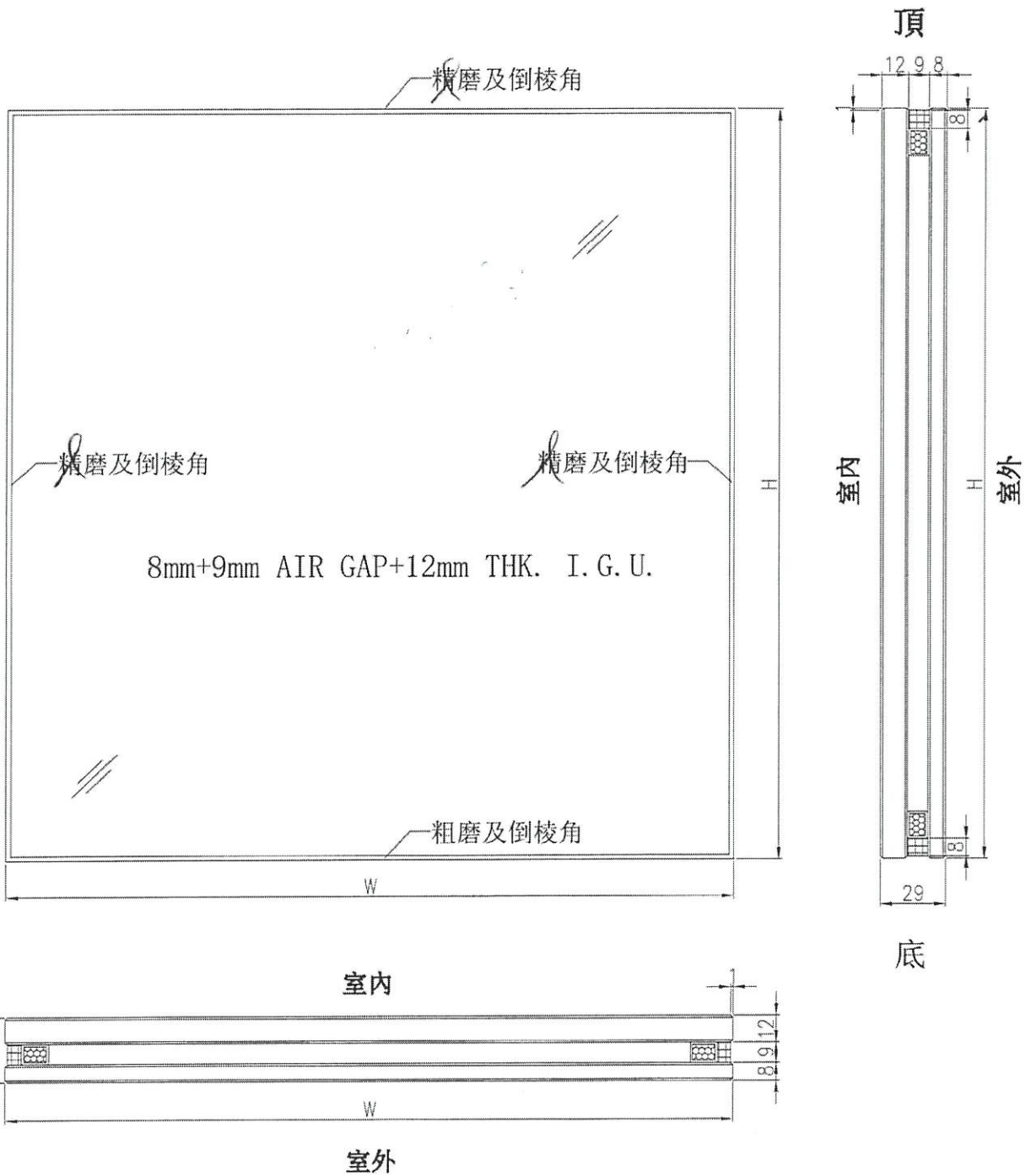
工程號	J-852	地盤	-	附 件
名稱	玻璃加工圖		採用	
材料	6mm+12mm AIR GAP+6mm THK. I.G.U.		地盤	
顏色	-	工廠	✓	

 美特鋁質 有限公司 MIDI Aluminium Fabricator Ltd.	類別	物料號	圖號 GL01-T3-01~07
	制圖 Ivan	2020-09-04	
修改	復核	數量	
日期	批准	位置	佛沙窗用



工程號	J-852	地盤	-	附 件
名稱	玻璃加工圖		採用	
材料	8mm+12mm AIR GAP+10mm THK. I.G.U.		地盤	
顏色	-	工廠	✓	

 美特鋁質 有限公司 MIDI Aluminium Fabricator Ltd.	類別	物料號	圖號	GL01a-T3-01	
	制圖	Ivan	2020-09-04	數量	—
修改				位置	佛沙窗用
日期					



工程號	J-852	地盤	—	附 件
名稱	玻璃加工圖		採用	
材料	8mm+9mm AIR GAP+12mm THK. I.G.U.		地盤	
顏色	—		工廠	



MIDI ALUMINIUM FABRICATOR LTD.

Units 6, 7, 8 Sunny Industrial Centre, 1st Floor 610 Chag Fwa Ling Road, Kowloon

Project : Nos. 139-147 Argyle Street, Kowloon.

Subject : (Alternative Option) 4th Submission of Glass Sample (Low Iron IGU, Silver Tinted IGU with SC-0.68 & Re-submission of Clear IGU with SC-0.84) (MS025)

Sample Code : Silver Tinted IGU with SC=0.68
 8mm low-iron HS (with low-e coating in light grey colour at surface #2) + 12mm Air Gap + 10mm low-iron HST - For Sliding Door & Vision Glass
 D20040325, ← Low E 型号
 (SFE0-83T(HS)+12A+10CB)

Letter ref. : MC/9452852

Date : 5th May 2020

From: "Billy Tang (Development)" <billytang@sino.com>
To: "midi@midiltd.com.hk" <midi@midiltd.com.hk>,
"bessie.lps.midi@gmail.com" <bessie.lps.midi@gmail.com>
Copies to: "Gordon Lee" <gordonlee@sino.com>,
"Jimmy Cheung Ngai Hang" <jimmyhcheung@sino.com>,
"Edwin Chow" <edwinchow@sino.com>,
"KIL6038 (Argyle Street)" <kil6038@sino.com>,
"Jackson Chor Chiu Mok" <Jackson.Mok@gammonconstruction.com>,
"Man Dick Yuen" <ManDick.Yuen@gammonconstruction.com>,
"raymondho@agcdesign.com.hk" <raymondho@agcdesign.com.hk>,
"eliotchan@agcdesign.com.hk" <eliotchan@agcdesign.com.hk>,
"brian.leung@mfacade.com" <brian.leung@mfacade.com>,
"Yoanna Chan" <yoanna.chan@mfacade.com>,
"Peter Chong" <peterchong@sino.com>,
"anthea.ng@wsp.com" <anthea.ng@wsp.com>
Subject: CLP - Confirmation on Glass type / data for production
Date sent: Wed, 2 Dec 2020 04:39:04 +0000

Dear Marco, Bessie,

Further to our subsequent discussions regarding the Glass sample (Low Iron IGU, sliver tinted glass (IGU) with SC=0.68, Please formal submit the material submission for approval.

Regards

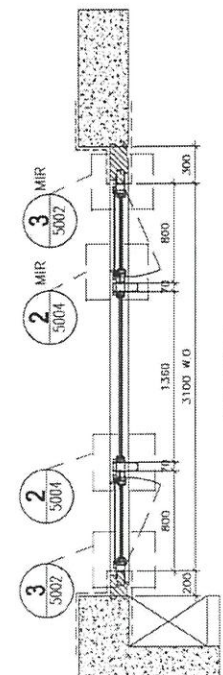
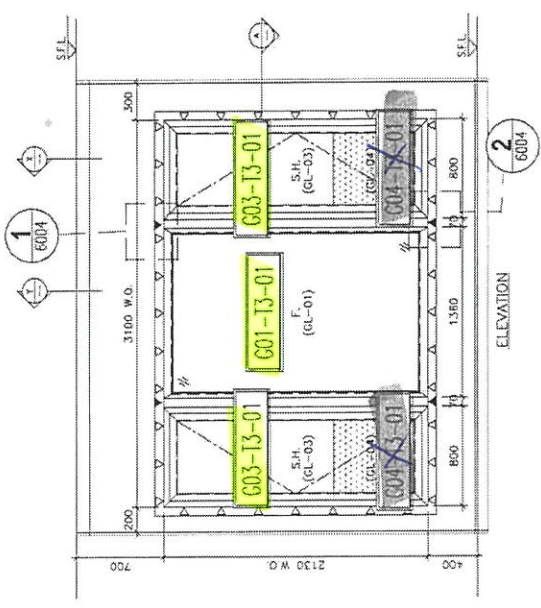
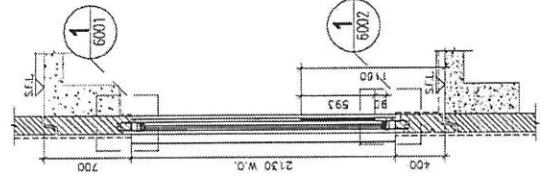
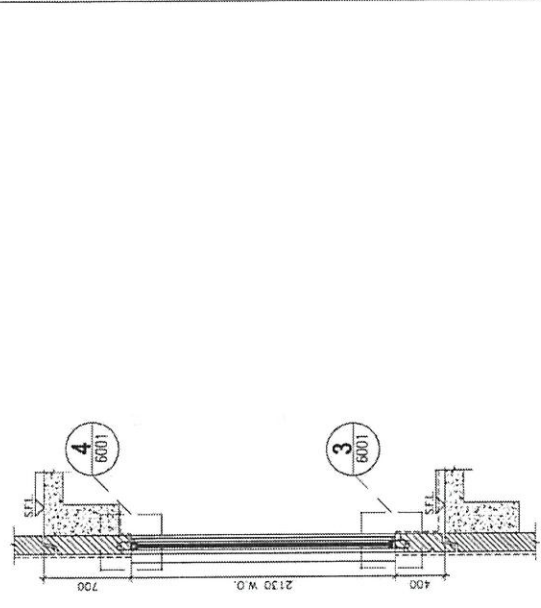
BT

B.D. REF :
 CLIENT :
 ARCHITECT : **AGC**
 MAIN CONTRACTOR : **Gammon**
 STRUCTURAL ENGINEER : **ARUP**
 FACADE CONSULTANT : **MEINHARDT**

NOTE:
 1. ALL DIMENSIONS ARE IN MM.
 2. ALL ELEVATIONS ARE VIEWED FROM OUTSIDE.
 3. ALL DIMENSIONS TO BE KEPT ON SITE BEFORE FABRICATION.
LEGEND:
 (S1) --- REAR MARK NO. REFER SHEET NO.
 1. FF.L --- FINISHED FLOOR LEVEL
 2. S.F.L --- FINISHED SILL LEVEL
 3. (F) --- FINISHED CEILING
 4. --- FINISHED CEILING
 5. --- FLOOR LOCATION
 6. --- GLASS LEGEND
 GL01 --- 6mm+12mm AIR GAP+12mm THK. IGU
 GL02 --- 6mm+12mm AIR GAP+12mm THK. IGU
 GL03 --- 6mm THK. TUMPERE GLASS (SHARPER GLASS)
 GL04 --- 6mm THK. TUMPERE GLASS (SHARPER GLASS)
 GL05 --- 6mm THK. TUMPERE GLASS (SHARPER GLASS)
 GL06 --- 6mm+12mm AIR GAP+12mm THK. IGU

JOB NO. : J-1522
 PROJECT : **PRESTIGE RECREATIONAL DEVELOPMENT**
 UNIT : **AT 139, 147 ARCADE, 5/F, 6/F, 7/F, 8/F, 9/F, 10/F, 11/F, 12/F, 13/F, 14/F, 15/F, 16/F, 17/F, 18/F, 19/F, 20/F, 21/F, 22/F, 23/F, 24/F, 25/F, 26/F, 27/F, 28/F, 29/F, 30/F, 31/F, 32/F, 33/F, 34/F, 35/F, 36/F, 37/F, 38/F, 39/F, 40/F, 41/F, 42/F, 43/F, 44/F, 45/F, 46/F, 47/F, 48/F, 49/F, 50/F, 51/F, 52/F, 53/F, 54/F, 55/F, 56/F, 57/F, 58/F, 59/F, 60/F, 61/F, 62/F, 63/F, 64/F, 65/F, 66/F, 67/F, 68/F, 69/F, 70/F, 71/F, 72/F, 73/F, 74/F, 75/F, 76/F, 77/F, 78/F, 79/F, 80/F, 81/F, 82/F, 83/F, 84/F, 85/F, 86/F, 87/F, 88/F, 89/F, 90/F, 91/F, 92/F, 93/F, 94/F, 95/F, 96/F, 97/F, 98/F, 99/F, 100/F**
 TITLE : **WINDOW SCHEDULE FOR ALUM. WINDOW**

DATE : 05-Dec-19 SCALE : 1:40
 DRAWN BY : MAN CHECKED BY : DW
MIDI Aluminium Windows Ltd.
 610 Old Ave. Long Road, Kwun Tong, Kowloon, H.K.
 Tel: 2748211-4 Fax: (852)27272658
 DWG NO. : 1852-SD-PW-4.027A REV : C



OPENABLE WINDOW DIMENSION	(WIDTH)	(HEIGHT)
FIXED WINDOW DIMENSION	2130	1560
NUMBER OF OPENABLE AREA WINDOW	2	2
GLAZING AREA	577	1907
OPENABLE AREA	1266	2030
WIDTH	806-111.5-111.5	
HEIGHT	2130-111.5-111.5	
FIXED	1366-50-50	
WIDTH	2130-50-50	
HEIGHT		
TOTAL	=(577x1907)x2+(1266x2030)x2	= 4.758128 m ²
OPENABLE AREA		
WIDTH	806-77-77	
HEIGHT	2130-77-(1160-800)	
TOTAL	=(616x1233)x2	= 1.670556 m ²

GLAZING AREA	4.76	m ²
OPENABLE AREA	1.67	m ²

WINDOW MARK	W2 L3A
LOCATION	2/F-18/F LIV/DIN AT TOWER 3 FLAT A
SECTION	70mm ALUM. SECTION
GLAZING	GL-01, GL-03
QUANTITY	14
REMARKS	FACADE (PF-2)

BD. REF. : _____

CLIENT : _____

ARCHITECT : **AGC** ARCHITECTS PVT. LTD.
 100, 101, 102, 103, 104, 105, 106, 107, 108, 109, 110, 111, 112, 113, 114, 115, 116, 117, 118, 119, 120, 121, 122, 123, 124, 125, 126, 127, 128, 129, 130, 131, 132, 133, 134, 135, 136, 137, 138, 139, 140, 141, 142, 143, 144, 145, 146, 147, 148, 149, 150, 151, 152, 153, 154, 155, 156, 157, 158, 159, 160, 161, 162, 163, 164, 165, 166, 167, 168, 169, 170, 171, 172, 173, 174, 175, 176, 177, 178, 179, 180, 181, 182, 183, 184, 185, 186, 187, 188, 189, 190, 191, 192, 193, 194, 195, 196, 197, 198, 199, 200, 201, 202, 203, 204, 205, 206, 207, 208, 209, 210, 211, 212, 213, 214, 215, 216, 217, 218, 219, 220, 221, 222, 223, 224, 225, 226, 227, 228, 229, 230, 231, 232, 233, 234, 235, 236, 237, 238, 239, 240, 241, 242, 243, 244, 245, 246, 247, 248, 249, 250, 251, 252, 253, 254, 255, 256, 257, 258, 259, 260, 261, 262, 263, 264, 265, 266, 267, 268, 269, 270, 271, 272, 273, 274, 275, 276, 277, 278, 279, 280, 281, 282, 283, 284, 285, 286, 287, 288, 289, 290, 291, 292, 293, 294, 295, 296, 297, 298, 299, 300, 301, 302, 303, 304, 305, 306, 307, 308, 309, 310, 311, 312, 313, 314, 315, 316, 317, 318, 319, 320, 321, 322, 323, 324, 325, 326, 327, 328, 329, 330, 331, 332, 333, 334, 335, 336, 337, 338, 339, 340, 341, 342, 343, 344, 345, 346, 347, 348, 349, 350, 351, 352, 353, 354, 355, 356, 357, 358, 359, 360, 361, 362, 363, 364, 365, 366, 367, 368, 369, 370, 371, 372, 373, 374, 375, 376, 377, 378, 379, 380, 381, 382, 383, 384, 385, 386, 387, 388, 389, 390, 391, 392, 393, 394, 395, 396, 397, 398, 399, 400, 401, 402, 403, 404, 405, 406, 407, 408, 409, 410, 411, 412, 413, 414, 415, 416, 417, 418, 419, 420, 421, 422, 423, 424, 425, 426, 427, 428, 429, 430, 431, 432, 433, 434, 435, 436, 437, 438, 439, 440, 441, 442, 443, 444, 445, 446, 447, 448, 449, 450, 451, 452, 453, 454, 455, 456, 457, 458, 459, 460, 461, 462, 463, 464, 465, 466, 467, 468, 469, 470, 471, 472, 473, 474, 475, 476, 477, 478, 479, 480, 481, 482, 483, 484, 485, 486, 487, 488, 489, 490, 491, 492, 493, 494, 495, 496, 497, 498, 499, 500, 501, 502, 503, 504, 505, 506, 507, 508, 509, 510, 511, 512, 513, 514, 515, 516, 517, 518, 519, 520, 521, 522, 523, 524, 525, 526, 527, 528, 529, 530, 531, 532, 533, 534, 535, 536, 537, 538, 539, 540, 541, 542, 543, 544, 545, 546, 547, 548, 549, 550, 551, 552, 553, 554, 555, 556, 557, 558, 559, 560, 561, 562, 563, 564, 565, 566, 567, 568, 569, 570, 571, 572, 573, 574, 575, 576, 577, 578, 579, 580, 581, 582, 583, 584, 585, 586, 587, 588, 589, 590, 591, 592, 593, 594, 595, 596, 597, 598, 599, 600, 601, 602, 603, 604, 605, 606, 607, 608, 609, 610, 611, 612, 613, 614, 615, 616, 617, 618, 619, 620, 621, 622, 623, 624, 625, 626, 627, 628, 629, 630, 631, 632, 633, 634, 635, 636, 637, 638, 639, 640, 641, 642, 643, 644, 645, 646, 647, 648, 649, 650, 651, 652, 653, 654, 655, 656, 657, 658, 659, 660, 661, 662, 663, 664, 665, 666, 667, 668, 669, 670, 671, 672, 673, 674, 675, 676, 677, 678, 679, 680, 681, 682, 683, 684, 685, 686, 687, 688, 689, 690, 691, 692, 693, 694, 695, 696, 697, 698, 699, 700, 701, 702, 703, 704, 705, 706, 707, 708, 709, 710, 711, 712, 713, 714, 715, 716, 717, 718, 719, 720, 721, 722, 723, 724, 725, 726, 727, 728, 729, 730, 731, 732, 733, 734, 735, 736, 737, 738, 739, 740, 741, 742, 743, 744, 745, 746, 747, 748, 749, 750, 751, 752, 753, 754, 755, 756, 757, 758, 759, 760, 761, 762, 763, 764, 765, 766, 767, 768, 769, 770, 771, 772, 773, 774, 775, 776, 777, 778, 779, 780, 781, 782, 783, 784, 785, 786, 787, 788, 789, 790, 791, 792, 793, 794, 795, 796, 797, 798, 799, 800, 801, 802, 803, 804, 805, 806, 807, 808, 809, 810, 811, 812, 813, 814, 815, 816, 817, 818, 819, 820, 821, 822, 823, 824, 825, 826, 827, 828, 829, 830, 831, 832, 833, 834, 835, 836, 837, 838, 839, 840, 841, 842, 843, 844, 845, 846, 847, 848, 849, 850, 851, 852, 853, 854, 855, 856, 857, 858, 859, 860, 861, 862, 863, 864, 865, 866, 867, 868, 869, 870, 871, 872, 873, 874, 875, 876, 877, 878, 879, 880, 881, 882, 883, 884, 885, 886, 887, 888, 889, 890, 891, 892, 893, 894, 895, 896, 897, 898, 899, 900, 901, 902, 903, 904, 905, 906, 907, 908, 909, 910, 911, 912, 913, 914, 915, 916, 917, 918, 919, 920, 921, 922, 923, 924, 925, 926, 927, 928, 929, 930, 931, 932, 933, 934, 935, 936, 937, 938, 939, 940, 941, 942, 943, 944, 945, 946, 947, 948, 949, 950, 951, 952, 953, 954, 955, 956, 957, 958, 959, 960, 961, 962, 963, 964, 965, 966, 967, 968, 969, 970, 971, 972, 973, 974, 975, 976, 977, 978, 979, 980, 981, 982, 983, 984, 985, 986, 987, 988, 989, 990, 991, 992, 993, 994, 995, 996, 997, 998, 999, 1000

MAIN CONTRACTOR : **Gammon**

STRUCTURAL ENGINEER : **ARUP**

FAÇADE CONSULTANT : **MENHARDT**

NOTE :
 1. ALL DIMENSIONS ARE IN MM.
 2. ALL ELEVATIONS ARE VIEWED FROM OUTSIDE.
 3. ALL DIMENSIONS TO BE VERIFIED ON SITE BEFORE FABRICATION.

LEGEND :
 (1) RETAIN MARK NO.
 (2) REFER SHEET NO.

GL-01 - 6mm ALUMINUM GLASS (TYPICAL) (GL-01)
 GL-02 - 12mm ALUMINUM GLASS (TYPICAL) (GL-02)
 GL-03 - 6mm ALUMINUM GLASS (TYPICAL) (GL-03)
 GL-04 - 12mm ALUMINUM GLASS (TYPICAL) (GL-04)
 GL-05 - 12mm ALUMINUM GLASS (TYPICAL) (GL-05)

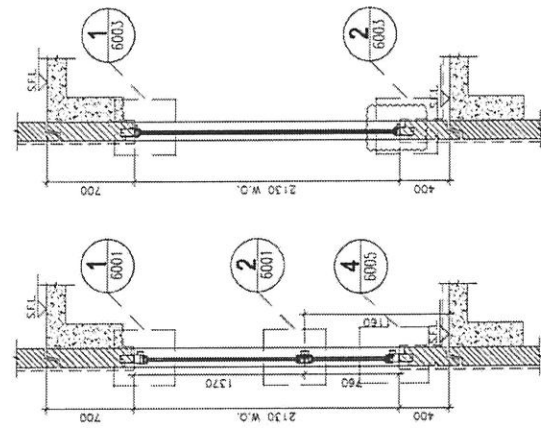
JOB NO. : J-852

PROJECT :
 PROPOSED RESIDENTIAL DEVELOPMENT
 AT 139 - 147 ARGYLE STREET,
 PHIL 6005, 6035 R.P., 6036 R.P.,
 6037 R.P. & 6038 R.P.

TITLE : WINDOW SCHEDULE FOR ALUM. WINDOW

DATE : 05-Dec-19 SCALE : 1:40
 DRAWN BY : MN CHECKED BY : DW

MIDI 美特銘實業有限公司
 100, 101, 102, 103, 104, 105, 106, 107, 108, 109, 110, 111, 112, 113, 114, 115, 116, 117, 118, 119, 120, 121, 122, 123, 124, 125, 126, 127, 128, 129, 130, 131, 132, 133, 134, 135, 136, 137, 138, 139, 140, 141, 142, 143, 144, 145, 146, 147, 148, 149, 150, 151, 152, 153, 154, 155, 156, 157, 158, 159, 160, 161, 162, 163, 164, 165, 166, 167, 168, 169, 170, 171, 172, 173, 174, 175, 176, 177, 178, 179, 180, 181, 182, 183, 184, 185, 186, 187, 188, 189, 190, 191, 192, 193, 194, 195, 196, 197, 198, 199, 200, 201, 202, 203, 204, 205, 206, 207, 208, 209, 210, 211, 212, 213, 214, 215, 216, 217, 218, 219, 220, 221, 222, 223, 224, 225, 226, 227, 228, 229, 230, 231, 232, 233, 234, 235, 236, 237, 238, 239, 240, 241, 242, 243, 244, 245, 246, 247, 248, 249, 250, 251, 252, 253, 254, 255, 256, 257, 258, 259, 260, 261, 262, 263, 264, 265, 266, 267, 268, 269, 270, 271, 272, 273, 274, 275, 276, 277, 278, 279, 280, 281, 282, 283, 284, 285, 286, 287, 288, 289, 290, 291, 292, 293, 294, 295, 296, 297, 298, 299, 300, 301, 302, 303, 304, 305, 306, 307, 308, 309, 310, 311, 312, 313, 314, 315, 316, 317, 318, 319, 320, 321, 322, 323, 324, 325, 326, 327, 328, 329, 330, 331, 332, 333, 334, 335, 336, 337, 338, 339, 340, 341, 342, 343, 344, 345, 346, 347, 348, 349, 350, 351, 352, 353, 354, 355, 356, 357, 358, 359, 360, 361, 362, 363, 364, 365, 366, 367, 368, 369, 370, 371, 372, 373, 374, 375, 376, 377, 378, 379, 380, 381, 382, 383, 384, 385, 386, 387, 388, 389, 390, 391, 392, 393, 394, 395, 396, 397, 398, 399, 400, 401, 402, 403, 404, 405, 406, 407, 408, 409, 410, 411, 412, 413, 414, 415, 416, 417, 418, 419, 420, 421, 422, 423, 424, 425, 426, 427, 428, 429, 430, 431, 432, 433, 434, 435, 436, 437, 438, 439, 440, 441, 442, 443, 444, 445, 446, 447, 448, 449, 450, 451, 452, 453, 454, 455, 456, 457, 458, 459, 460, 461, 462, 463, 464, 465, 466, 467, 468, 469, 470, 471, 472, 473, 474, 475, 476, 477, 478, 479, 480, 481, 482, 483, 484, 485, 486, 487, 488, 489, 490, 491, 492, 493, 494, 495, 496, 497, 498, 499, 500, 501, 502, 503, 504, 505, 506, 507, 508, 509, 510, 511, 512, 513, 514, 515, 516, 517, 518, 519, 520, 521, 522, 523, 524, 525, 526, 527, 528, 529, 530, 531, 532, 533, 534, 535, 536, 537, 538, 539, 540, 541, 542, 543, 544, 545, 546, 547, 548, 549, 550, 551, 552, 553, 554, 555, 556, 557, 558, 559, 560, 561, 562, 563, 564, 565, 566, 567, 568, 569, 570, 571, 572, 573, 574, 575, 576, 577, 578, 579, 580, 581, 582, 583, 584, 585, 586, 587, 588, 589, 590, 591, 592, 593, 594, 595, 596, 597, 598, 599, 600, 601, 602, 603, 604, 605, 606, 607, 608, 609, 610, 611, 612, 613, 614, 615, 616, 617, 618, 619, 620, 621, 622, 623, 624, 625, 626, 627, 628, 629, 630, 631, 632, 633, 634, 635, 636, 637, 638, 639, 640, 641, 642, 643, 644, 645, 646, 647, 648, 649, 650, 651, 652, 653, 654, 655, 656, 657, 658, 659, 660, 661, 662, 663, 664, 665, 666, 667, 668, 669, 670, 671, 672, 673, 674, 675, 676, 677, 678, 679, 680, 681, 682, 683, 684, 685, 686, 687, 688, 689, 690, 691, 692, 693, 694, 695, 696, 697, 698, 699, 700, 701, 702, 703, 704, 705, 706, 707, 708, 709, 710, 711, 712, 713, 714, 715, 716, 717, 718, 719, 720, 721, 722, 723, 724, 725, 726, 727, 728, 729, 730, 731, 732, 733, 734, 735, 736, 737, 738, 739, 740, 741, 742, 743, 744, 745, 746, 747, 748, 749, 750, 751, 752, 753, 754, 755, 756, 757, 758, 759, 760, 761, 762, 763, 764, 765, 766, 767, 768, 769, 770, 771, 772, 773, 774, 775, 776, 777, 778, 779, 780, 781, 782, 783, 784, 785, 786, 787, 788, 789, 790, 791, 792, 793, 794, 795, 796, 797, 798, 799, 800, 801, 802, 803, 804, 805, 806, 807, 808, 809, 810, 811, 812, 813, 814, 815, 816, 817, 818, 819, 820, 821, 822, 823, 824, 825, 826, 827, 828, 829, 830, 831, 832, 833, 834, 835, 836, 837, 838, 839, 840, 841, 842, 843, 844, 845, 846, 847, 848, 849, 850, 851, 852, 853, 854, 855, 856, 857, 858, 859, 860, 861, 862, 863, 864, 865, 866, 867, 868, 869, 870, 871, 872, 873, 874, 875, 876, 877, 878, 879, 880, 881, 882, 883, 884, 885, 886, 887, 888, 889, 890, 891, 892, 893, 894, 895, 896, 897, 898, 899, 900, 901, 902, 903, 904, 905, 906, 907, 908, 909, 910, 911, 912, 913, 914, 915, 916, 917, 918, 919, 920, 921, 922, 923, 924, 925, 926, 927, 928, 929, 930, 931, 932, 933, 934, 935, 936, 937, 938, 939, 940, 941, 942, 943, 944, 945, 946, 947, 948, 949, 950, 951, 952, 953, 954, 955, 956, 957, 958, 959, 960, 961, 962, 963, 964, 965, 966, 967, 968, 969, 970, 971, 972, 973, 974, 975, 976, 977, 978, 979, 980, 981, 982, 983, 984, 985, 986, 987, 988, 989, 990, 991, 992, 993, 994, 995, 996, 997, 998, 999, 1000



OFFSHORE WINDOW DIMENSIONS

OFFSHORE WINDOW (A) DIMENSION	WIDTH	HEIGHT
FIXED WINDOW (A) DIMENSION	1000	1370
FIXED WINDOW (B) DIMENSION	1000	1000
FIXED WINDOW (C) DIMENSION	760	760
FIXED WINDOW (D) DIMENSION	2130	2130

NUMBER OF OFFSHORE WINDOW

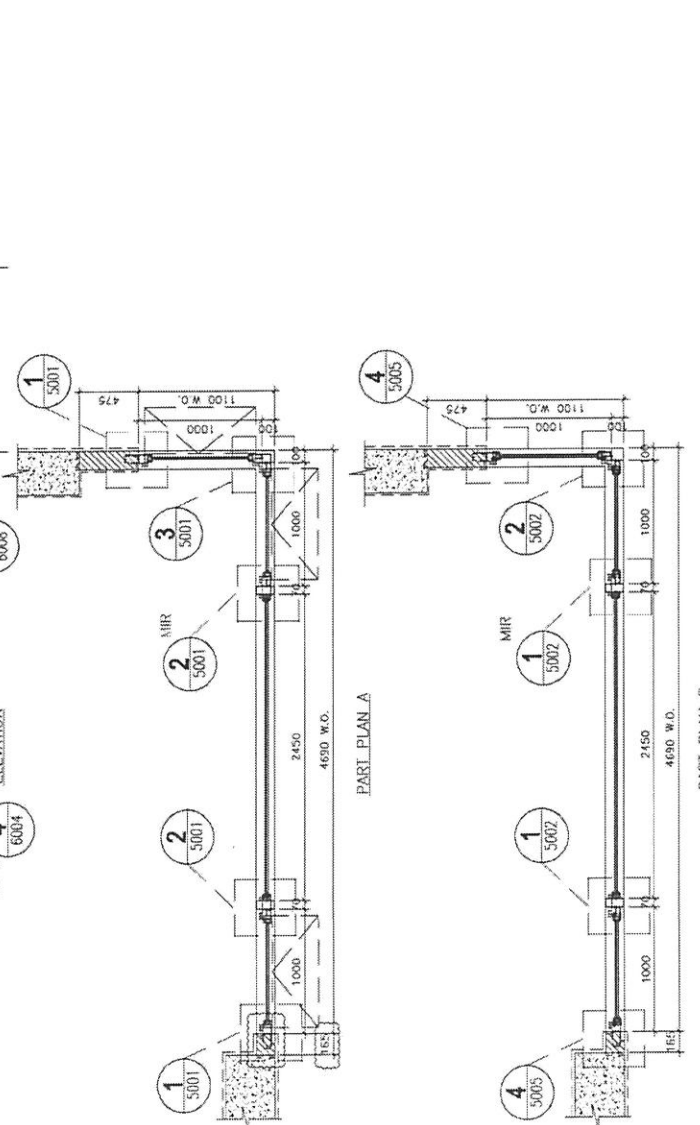
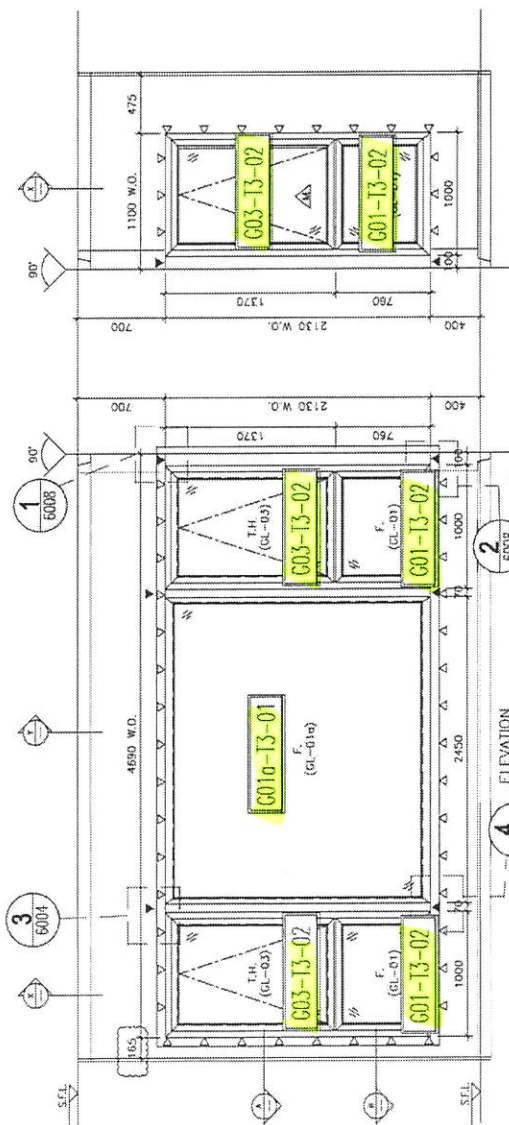
OFFSHORE WINDOW (A) DIMENSION	WIDTH	HEIGHT
FIXED WINDOW (A) DIMENSION	1000	1370
FIXED WINDOW (B) DIMENSION	1000	1000
FIXED WINDOW (C) DIMENSION	760	760
FIXED WINDOW (D) DIMENSION	2130	2130

OFFSHORE WINDOW AREA

OFFSHORE WINDOW (A) DIMENSION	WIDTH	HEIGHT	AREA
FIXED WINDOW (A) DIMENSION	1000	1370	1370000
FIXED WINDOW (B) DIMENSION	1000	1000	1000000
FIXED WINDOW (C) DIMENSION	760	760	577600
FIXED WINDOW (D) DIMENSION	2130	2130	4516900
TOTAL			12264500

PROVIDED

GLAZING AREA	OPENABLE AREA
8.91 m ²	2.13 m ²



WINDOW MARK	LOCATION	SECTION	GLAZING	QUANTITY	REMARKS
1	1/F-18/F MASTER ENSUITE AT TOWER 3 FLAT A	GL-01a	GL-01	15	
2					
3					
4					
5					

REMARKS : FACADE (PF-1)

ARC ARCHITECTS
Gammon
ARUP
MEINHARDT

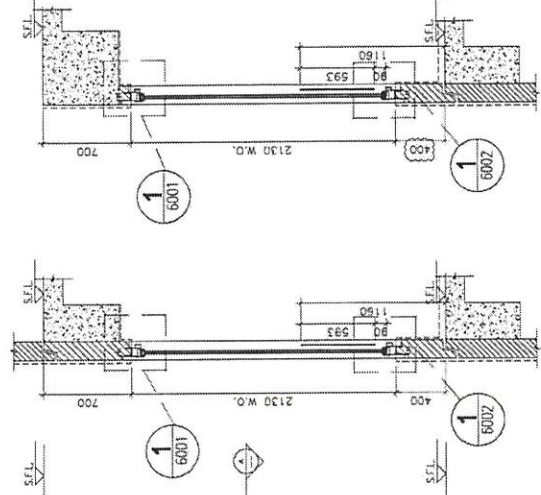
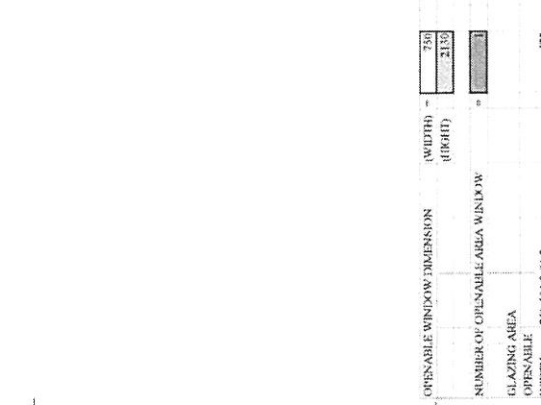
CLIENT: _____
 PROJECT: _____
 MAIN CONTRACTOR: _____
 STRUCTURAL ENGINEER: _____
 FACADE CONSULTANT: _____

NOTE:
 1. ALL DIMENSIONS ARE IN MM.
 2. ALL ELEVATIONS ARE VIEWED FROM OUTSIDE.
 3. ALL DIMENSIONS TO BE VERIFIED ON SITE BEFORE FABRICATION.

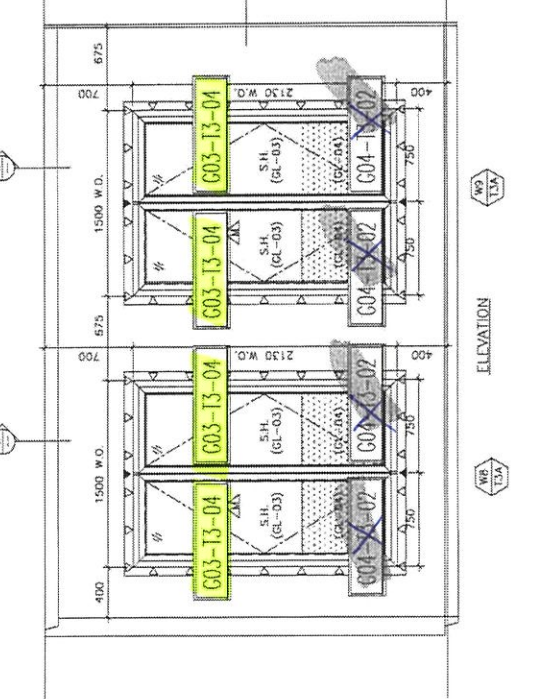
REVISIONS:
 1. RETAIL WORK NO. REFER SHEET NO.
 2. S.F.L. -- FINISHED FLOOR LEVEL
 3. S.F.L. -- REVERSED FLOOR LEVEL
 4. -- FINING LOCATION
 5. -- FINING U/S LOCATION
 6. GLASS LEGEND
 G01 -- 6mm+12mm AIR GAP+10mm THK. I.G.U.
 G02 -- 6mm+12mm AIR GAP+12mm THK. I.G.U.
 G03 -- 10mm THK. TEMPERED GLASS (PANEL GLASS)
 G04 -- 6mm+12mm AIR GAP+6mm THK. I.G.U.
 G05 -- 10mm THK. TEMPERED GLASS (PORELINE BARRIER)
 G06 -- 6mm+12mm AIR GAP+8mm THK. I.G.U.

JOB NO.: J-852
 DRAWN BY: JKH
 CHECKED BY: DW
 DATE: 03-Dec-19
 SCALE: 1:40
 WINDOW SCHEDULE FOR ALUM. WINDOW

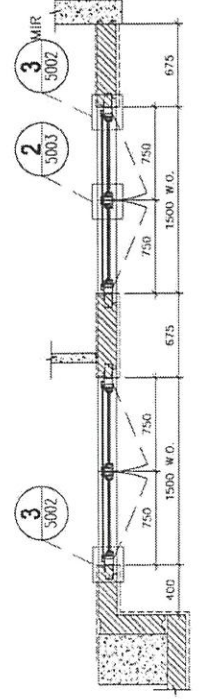
美特铝业有限公司
 MIDU Aluminium Fabrication Ltd.
 110 Cha Kwo Ling Road, Kowloon
 Tel: 27277266
 Fax: 27277266
 E-mail: info@midu.com.hk
 PANG NO.: J852-SD-PW-4308 REV.: 0



SECTION "X-X" (FOR 2E) SECTION "X-X" (FOR 21E)



ELEVATION



PART PLAN A

OPENSABLE WINDOW DIMENSION	WIDTH (mm)	HEIGHT (mm)
NUMBER OF OPENSABLE AREA WINDOW	250	2120
GLAZING AREA	572 mm	138.5 mm
OPENSABLE	2130-400-111.5-1060	1.54124 m ²
TOTAL	1672A138.5A21000900	611 mm
GLAZING AREA	790-77-42	1293 mm
OPENSABLE	2130-400-111.5-1060	0.829 m ²
TOTAL	1672A138.5A21000900	PROVIDED

GLAZING AREA	GLAZING AREA	OPENSABLE AREA	OPENSABLE AREA
1.554 m ²	1.554 m ²	0.829 m ²	0.829 m ²

OPENSABLE WINDOW DIMENSION	WIDTH (mm)	HEIGHT (mm)
NUMBER OF OPENSABLE AREA WINDOW	250	2120
GLAZING AREA	572 mm	138.5 mm
OPENSABLE	2130-400-111.5-1060	1.54124 m ²
TOTAL	1672A138.5A21000900	611 mm
GLAZING AREA	790-77-42	1293 mm
OPENSABLE	2130-400-111.5-1060	0.829 m ²
TOTAL	1672A138.5A21000900	PROVIDED

GLAZING AREA	GLAZING AREA	OPENSABLE AREA	OPENSABLE AREA
1.554 m ²	1.554 m ²	0.829 m ²	0.829 m ²

WINDOW MARK	WB 13A / WB 13A
LOCATION	2/F-21/F B.R.1 & B.R.2 AT TOWER 3 FLAT A
SECTION	70mm ALUM. SECTION
GLAZING	GL-03
QUANTITY	17 / 17
REMARKS	FACADE (PF-18)

B.D. REF :

CLIENT :

PROJECT : **ABC** **SEITE 173**

MAIN CONTRACTOR : **Gammon**

STRUCTURAL ENGINEER : **ARUP**

FAÇADE CONSULTANT : **MEINHARDT**

NOTE :
 1. ALL DIMENSIONS ARE IN MM.
 2. ALL ELEVATIONS ARE VIEWED FROM OUTSIDE.
 3. ALL DIMENSIONS TO BE VERIFIED ON SITE BEFORE FABRICATION.

LEGEND :
 (SY) --- DETAIL MARK NO.
 (REF) --- REFER SHEET NO.

1. F.F.L. --- FINISHED FLOOR LEVEL.
 2. S.F.L. --- STRUCTURAL CLEAR LEVEL.
 3. (P) --- INVERTED CLEAR LEVEL.
 4. (A) --- FLOOR LOCATION.
 5. (A) --- FLOOR LOC. LOCATION.
 6. GLASS LEGEND

GL01 --- 8mm+12mm AIR GAP+12mm THK. IGLU.
 GL02 --- 8mm+12mm AIR GAP+12mm THK. IGLU.
 GL03 --- 8mm THK. THERMO GLASS (SPRINKLER GLASS)
 GL04 --- 8mm+12mm AIR GAP+6mm THK. IGLU.
 GL05 --- 8mm THK. IMPROVED GLASS (PERFORMANCE IMPROVED)
 GL06 --- 8mm+12mm AIR GAP+6mm THK. IGLU.

JOB NO : J-852

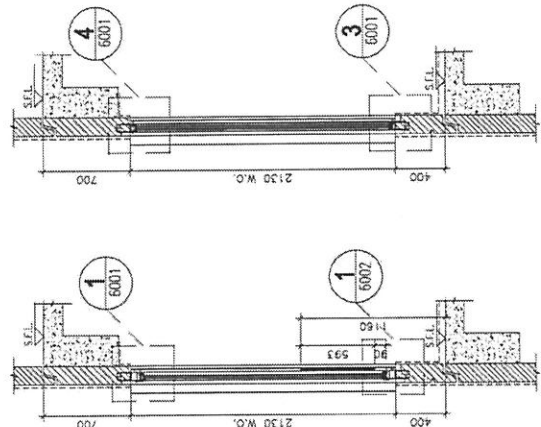
PROPOSED RESIDENTIAL DEVELOPMENT
 AT 130 - 147 ARCADE STREET,
 NKKL 6005, 6035 R.P., 6036 R.P.,
 6037 R.P. & 6038 R.P.

TITLE : WINDOW SCHEDULE FOR ALUM. WINDOW

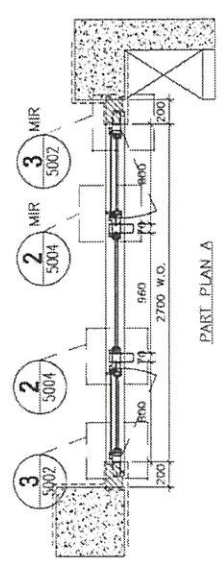
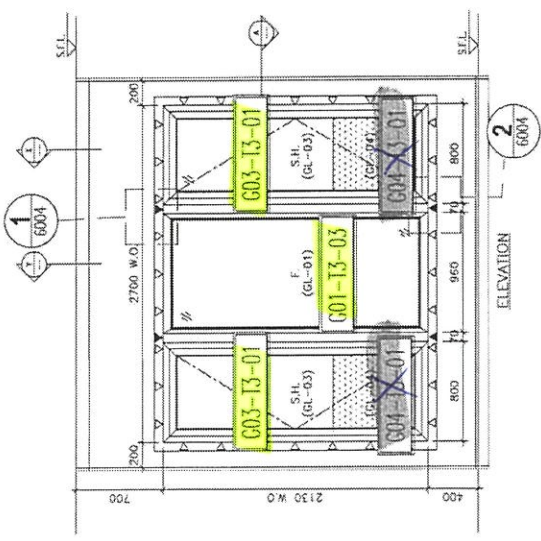
DATE : 05-Dec-19 SCALE : 1:40
 DRAWN BY : MRH CHECKED BY : DW

MEINHARDT
 510 Chio Ave Ling Road, Kowloon
 Tel: 23489711-4 Fax: (852) 7777666

DWG NO. : 1852-50-PW-4303A REV. : C



OPERABLE WINDOW DIMENSION	WIDTH	HEIGHT
FIXED WINDOW DIMENSION	2130	1997
NUMBER OF OPERABLE AREA WINDOW		
GLAZING AREA		
OPERABLE AREA		
WIDTH	800	1115
HEIGHT	2130	1115
FIXED		
WIDTH	800	50-30
HEIGHT	2130	50-30
TOTAL	(577x1997x2+800x2030)x1000000	3.944726 m ²
OPERABLE AREA		
WIDTH	800	777
HEIGHT	2130	161-409
TOTAL	(646x2130x2)/1000000	1.67855 m ²
PROVIDED		
GLAZING AREA	3.95	m ²
OPERABLE AREA	1.67	m ²



ELEVATION

ELEVATION

WINDOW MARK	2/F-18/F LIV/DIN AT TOWER 3 FLAT B
LOCATION	70mm ALUM. SECTION
SECTION	GL-01, GL-03
GLAZING	14
QUANTITY	
REMARKS	FAÇADE (PF-5)

BD. REF. : _____

CLEAR

ARCHITECT : **AGC**

MAIN CONTRACTOR : **Gammon**

STRUCTURAL ENGINEER : **ARUP**

FAÇADE CONSULTANT : **MEINHARDT**

NOTE:

1. ALL DIMENSIONS ARE IN mm.
2. ALL ELEVATIONS ARE VIEWED FROM OUTSIDE.
3. ALL DIMENSIONS TO BE VERIFIED ON SITE BEFORE FABRICATION.

LEGEND:

(S) RETAIL MARK NO.

(R) REFER SHEET NO.

1. F.F.L. --- FINISHED FLOOR LEVEL

2. S.F.L. --- STRUCTURAL FLOOR LEVEL

3. (R) --- REVERSED ROOM

4. (R) --- REVERSED BALCONY

5. (R) --- ROOM LOC. LOCATION

6. GLASS LEGEND

GL01 --- 6mm+12mm AIR GAP+12mm TIK. LCU

GL02 --- 6mm+9mm AIR GAP+12mm TIK. LCU

GL03 --- 6mm TIK. THERMAL GLASS (PANORAM) GLAZING

GL04 --- 12mm TIK. THERMAL GLASS (PANORAM) GLAZING

GL05 --- 6mm+12mm AIR GAP+12mm TIK. LCU

JOB NO. : J-852

PROJECT : PROPOSED RESIDENTIAL DEVELOPMENT AT MADALE STREET, HONG KONG, CHINA. 6035 R.P., 6037 R.P. & 6038 R.P.

TITLE : WINDOW SCHEDULE FOR ALUM. WINDOW

DATE : 05-Dec-19

SCALE : 1:40

DRAWN BY : AMH

CHECKED BY : DW

MEINHARDT

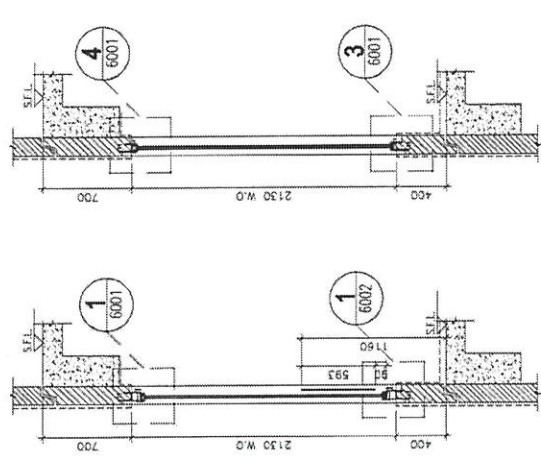
MIDI ALUMINIUM FABRICATOR LTD.

810 Cheong Cheong Road, #04-01, Singapore 679239

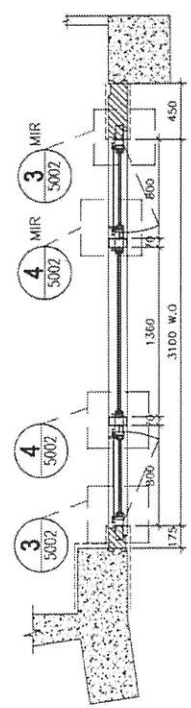
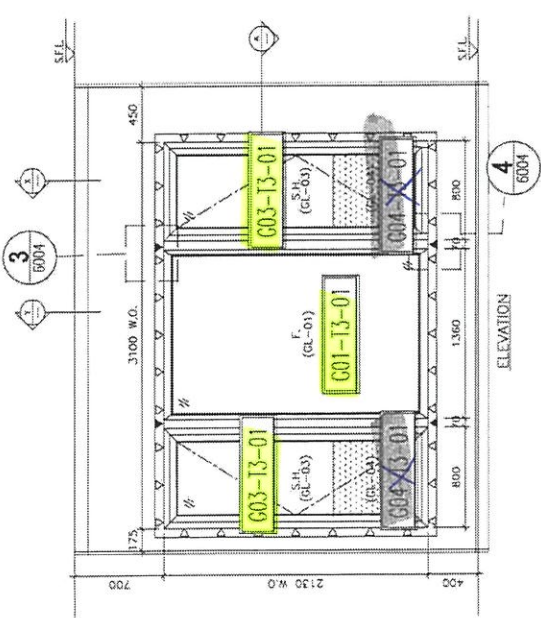
TEL: (65) 67272656

DWG NO. : 0502-SD-PW-4/04

REV. : D



OPERABLE WINDOW DIMENSION	(WIDTH) (HEIGHT)	(WIDTH) (HEIGHT)	(WIDTH) (HEIGHT)
FIXED WINDOW DIMENSION			
NUMBER OF OPERABLE AREA WINDOW			
GLAZING AREA			
OPERABLE AREA			
WIDTH	806-111.5-111.5		577 mm
HEIGHT	2130-111.5-111.5		1907 mm
FIXED			
WIDTH	1360-56-56		1248 mm
HEIGHT	2130-56-56		2018 mm
TOTAL	(877.5) (1073.2) (1248.2) (2018)	(100000)	-1.758178 m
OPERABLE AREA			
WIDTH	806-77-77		616 mm
HEIGHT	2130-77-(160-800)		1292 mm
TOTAL	(646) (1292)	(100000)	1.670556 m
PROVIDED			
GLAZING AREA	4.758	m ²	
OPERABLE AREA	1.67	m ²	



WINDOW MARK	(W3) (L3B)
LOCATION	1/F-18/F MASTER ENSUITE AT TOWER 3 FLAT B
SECTION	70mm ALUM. SECTION
GLAZING	GL-01.GL-03
QUANTITY	15
REMARKS	FAÇADE (PF-4)

B.O. REF: _____

CLIENT: _____

ARCHITECT: **ABC INTERIOR LTD**
 10/F, 110, Des Voeux Road West, Hong Kong
 Tel: 25222222 Fax: 25222222

MAIN CONTRACTOR: **Gammon**
 STRUCTURAL ENGINEER: _____

FAÇADE CONSULTANT: **ARUP**
MEINHARDT

PROJECT: PROPOSED RESIDENTIAL DEVELOPMENT AT 150 - 147 ARCADE STREET, HKRI 6005, 6035 R.P., 6036 R.P., 6037 R.P. & 6038 R.P.

JOB NO.: J-852

DATE: 05-Dec-19 SCALE: 1:40

DRAWN BY: MN CHECKED BY: DW

PROJECT: PROPOSED RESIDENTIAL DEVELOPMENT AT 150 - 147 ARCADE STREET, HKRI 6005, 6035 R.P., 6036 R.P., 6037 R.P. & 6038 R.P.

TITLE: WINDOW SCHEDULE FOR ALUM. WINDOW

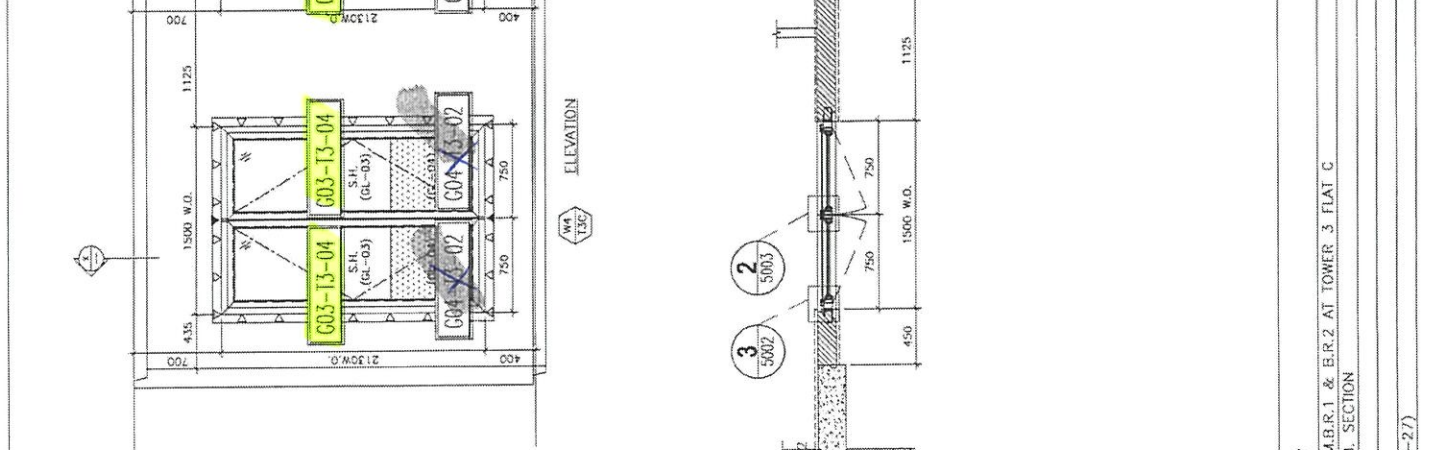
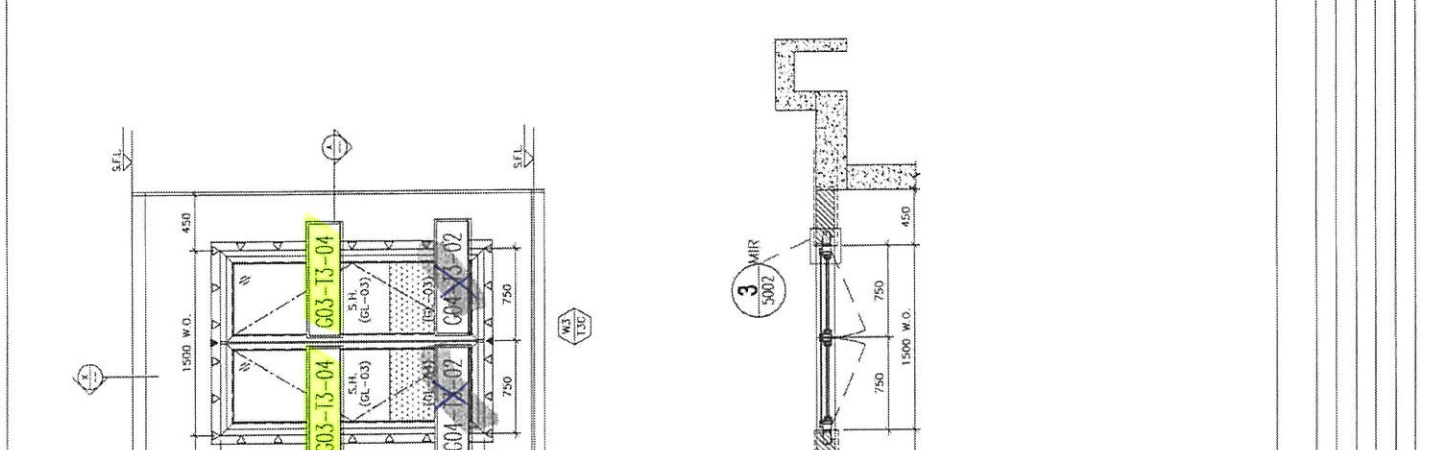
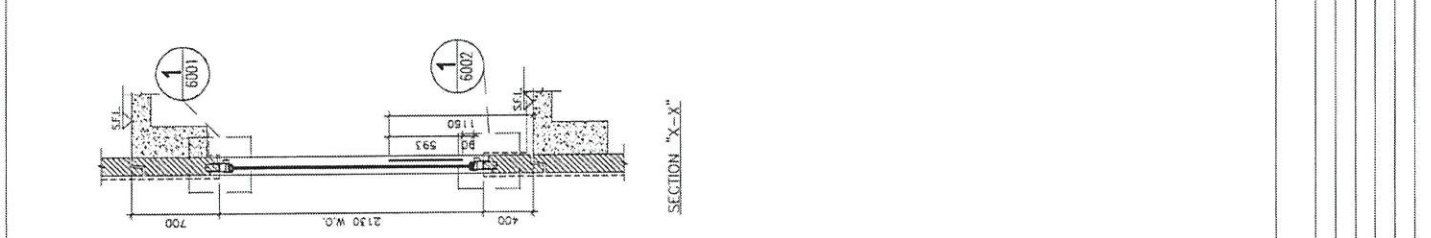
DATE: 05-Dec-19 SCALE: 1:40

DRAWN BY: MN CHECKED BY: DW

PROJECT: PROPOSED RESIDENTIAL DEVELOPMENT AT 150 - 147 ARCADE STREET, HKRI 6005, 6035 R.P., 6036 R.P., 6037 R.P. & 6038 R.P.

TITLE: WINDOW SCHEDULE FOR ALUM. WINDOW

GLAZING AREA	NUMBER OF OPENABLE AREA WINDOW	WIDTH (mm)	HEIGHT (mm)	GLAZING AREA (m ²)	OPENABLE AREA (m ²)
GLAZING AREA		754	572	2136	
OPENABLE					
WIDTH = 750-111.5-66.5			572		
HEIGHT = 2130-400-111.5-1000			1418.5		
TOTAL = (672x1418.5x2) / 1000000				1.623	
GLAZING AREA		750	572	2130	
OPENABLE					
WIDTH = 750-77-4160-400			611		
HEIGHT = 2130-77-4160-400			1203		
TOTAL = (672x1203x4) / 1000000				0.83	
GLAZING AREA		750	572	2130	
OPENABLE					
WIDTH = 750-111.5-66.5			572		
HEIGHT = 2130-400-111.5-1000			1418.5		
TOTAL = (672x1418.5x2) / 1000000				1.623	
GLAZING AREA		750	572	2130	
OPENABLE					
WIDTH = 750-77-4160-400			611		
HEIGHT = 2130-77-4160-400			1203		
TOTAL = (672x1203x4) / 1000000				0.83	



WINDOW MARK	LOCATION	SECTION	GLAZING QUANTITY	REMARKS
W3 / T3C / L3G	1/F-21/F M.B.R.1 & B.R.2 AT TOWER 3 FLAT C	70mm ALUM. SECTION	18 / 18	FAÇADE (PF-27)

WINDOW MARK: W3 / T3C / L3G

LOCATION: 1/F-21/F M.B.R.1 & B.R.2 AT TOWER 3 FLAT C

SECTION: 70mm ALUM. SECTION

GLAZING QUANTITY: 18 / 18

REMARKS: FAÇADE (PF-27)

DATE: 05-Dec-19 SCALE: 1:40

DRAWN BY: MN CHECKED BY: DW

PROJECT: PROPOSED RESIDENTIAL DEVELOPMENT AT 150 - 147 ARCADE STREET, HKRI 6005, 6035 R.P., 6036 R.P., 6037 R.P. & 6038 R.P.

TITLE: WINDOW SCHEDULE FOR ALUM. WINDOW