



工程指示 / 要求簡箋(E.I.)

工程指示編號：EI / 2735 / 20

修改版次：

工程編號：J - 852

工程名稱：亞皆老街中電

工程項目：平台制房 百葉 地盤用鉻化防水片

收件人：生統

發件人：Ant Yeung

日期：24/11/2020

要求提供 / 確認 事項：

- |                                    |                                     |                               |
|------------------------------------|-------------------------------------|-------------------------------|
| <input type="checkbox"/> 初步鋁料 B.M. | <input type="checkbox"/> 加工拆圖，然後生產  | <input type="checkbox"/> 尺寸表  |
| <input type="checkbox"/> 正式鋁料 B.M. | <input type="checkbox"/> 技術上資料 / 指示 | <input type="checkbox"/> 報價   |
| <input type="checkbox"/> 配件 B.M.   | <input type="checkbox"/> 樣辦或貨品說明書   | <input type="checkbox"/> 分判合約 |
| <input type="checkbox"/> 其他：_____  |                                     |                               |

內容：

本工程所有防水片用鉻化片。

請按此加工制房百葉地盤用鉻化防水片。

請先出 10 隻百葉急用的防水片 + 拆件各

請留意包扎表

謝謝

其餘可快線行出貨

請在 2020.12.03 前完成上列要求。

附有關圖紙 / 文件：2頁圖登 + 2頁BM + 46頁

以上項目為：

- 原合約工程包                       原合約工程加 / 減賬                       新工程報價

原因：-

分發東莞各部門：

- |  |  |   |  |
|--|--|---|--|
| <input type="checkbox"/> 生產技術總監 <input type="checkbox"/> 連附件 | <input type="checkbox"/> 技術部 <input type="checkbox"/> 連附件              | <input type="checkbox"/> 生產部 <input type="checkbox"/> 連附件 | <input type="checkbox"/> 機械設計部 <input type="checkbox"/> 連附件    |
| <input type="checkbox"/> 採購部 <input type="checkbox"/> 連附件    | <input checked="" type="checkbox"/> 生產統籌部 <input type="checkbox"/> 連附件 |   |  |
| <input type="checkbox"/> 質檢部 <input type="checkbox"/> 連附件    | <input type="checkbox"/> 會計部 <input type="checkbox"/> 連附件              | <input type="checkbox"/> 報關組 <input type="checkbox"/> 連附件 | <input type="checkbox"/> 其他 _____ <input type="checkbox"/> 連附件 |

分發其他分判：

- 水洪  連附件

分發香港各部門：

- |   |  |   |   |
|---|--|---|---|
| <input type="checkbox"/> 行政部 <input type="checkbox"/> 連附件 | <input type="checkbox"/> 會計部 <input type="checkbox"/> 連附件  | <input type="checkbox"/> 統籌部 <input type="checkbox"/> 連附件 | <input checked="" type="checkbox"/> 工程部地盤科文 <input type="checkbox"/> 連附件 祥哥 |
| <input type="checkbox"/> 採購部 <input type="checkbox"/> 連附件 | <input type="checkbox"/> QS 部 <input type="checkbox"/> 連附件 | <input type="checkbox"/> 維修部 <input type="checkbox"/> 連附件 | <input type="checkbox"/> 其他 _____ <input type="checkbox"/> 連附件              |

傳遞編號：

發件人簽署：

HK 2687 / 20

項目經理簽署：



包批系

包批系  
包批系

AP2 - 01
02
03
04
05
06
09
10

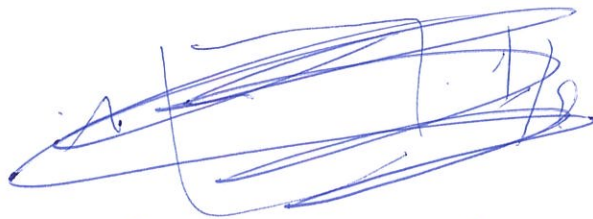
501a 包批  
501b  
601b  
601c  
601d  
601a

⇒ 包批系

AP2 - 01
02
03
04
07
08
11
12

502 包批  
502a  
602  
602a

⇒ 包批系



先做数量出货

10 批批系

增备材料

B.D. REF :

CLIENT :

ARCHITECT : **AGC DESIGN LTD**  
 11/F, 110, Des Voeux Road West, Hong Kong  
 11/F, 110, Des Voeux Road West, Hong Kong

MAIN CONTRACTOR : **Gammon**

STRUCTURAL ENGINEER : **ARUP**

FACADE CONSULTANT: **MEINHARDT**

NOTE:

1. ALL DIMENSIONS ARE IN mm.
2. ALL ELEVATIONS ARE VIEWED FROM OUTSIDE.
3. ALL DIMENSIONS SHOULD BE VERIFIED ON SITE BEFORE FABRICATION.

LEGEND:

- 1. F.F.L. -- FINISHED FLOOR LEVEL
- 2. S.F.L. -- STRUCTURAL FLOOR LEVEL
- 3. S.O. -- STRUCTURAL OPENING
- 4. ▲ -- FINING LOCATION
- 5. S.V. -- STRUCTURAL FLOOR LEVEL MARK

DETAIL MARK NO. (A) REFER SHEET NO.

NO.	DATE	DESCRIPTION
C	05-06-2020	ISSUED SUBJECT TO COMMENTS
B	27-04-2020	ISSUED SUBJECT TO COMMENTS
A	19-02-2020	ISSUED SUBJECT TO COMMENTS
1		REVISED

JOB NO. : J-852

PROJECT : PROPOSED RESIDENTIAL DEVELOPMENT AT 139 - 147 ARGYLE STREET, NKIL 6005, 6035 R.P., 6036 R.P., 6037 R.P. & 6038 R.P.

TITLE : LOWER SCHEDULE FOR ALUM. LOUVER

DWG NO. : 0552-SD-LVA-4001

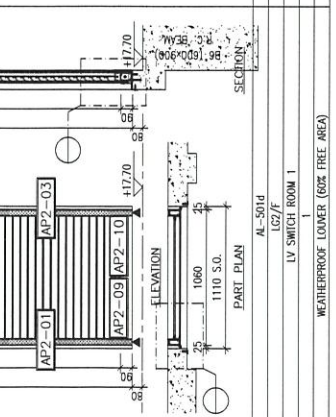
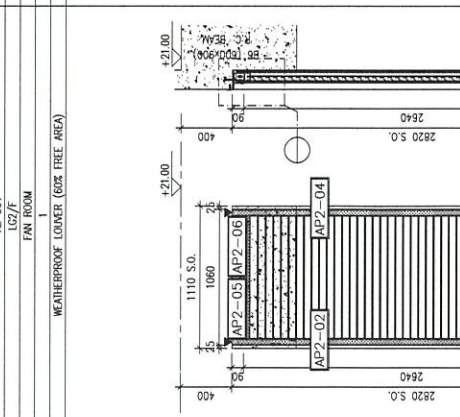
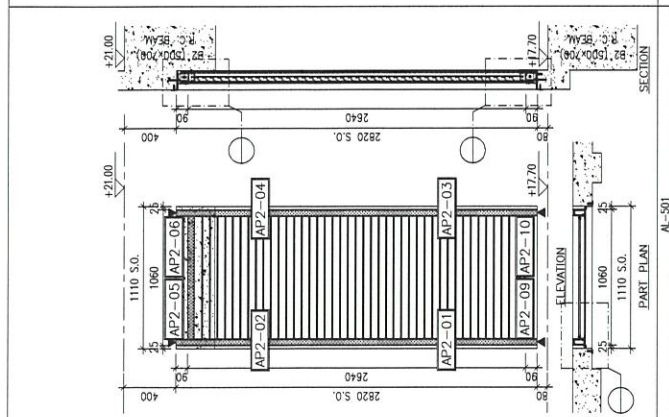
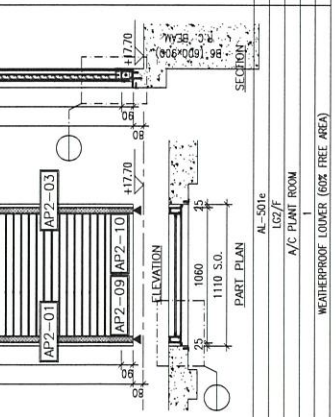
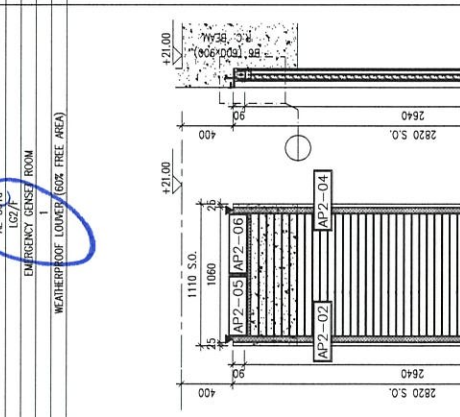
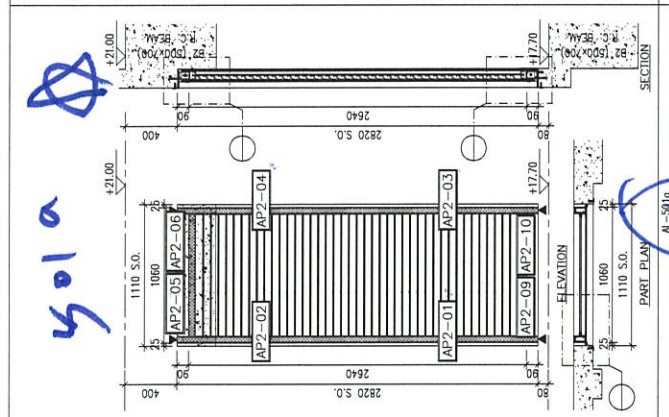
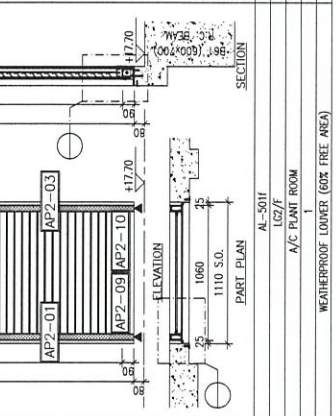
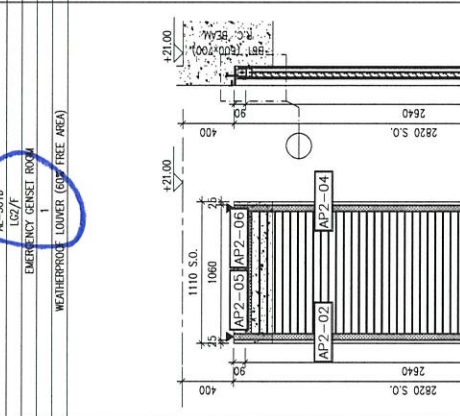
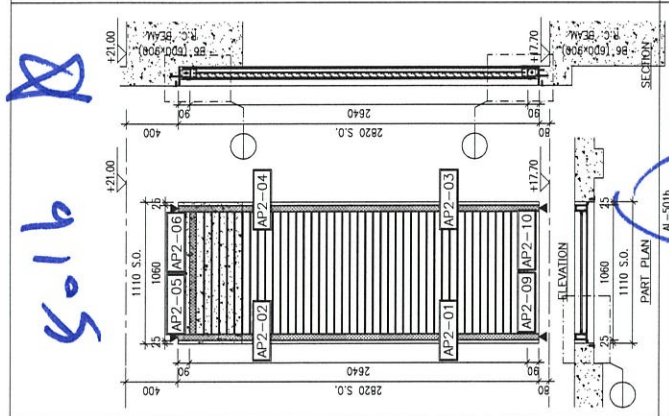
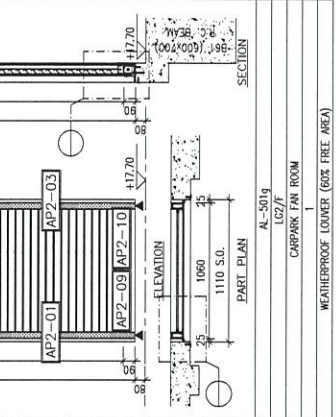
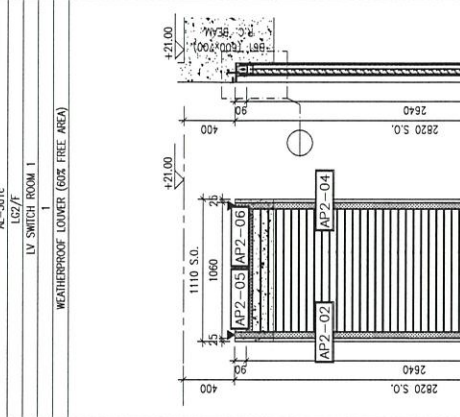
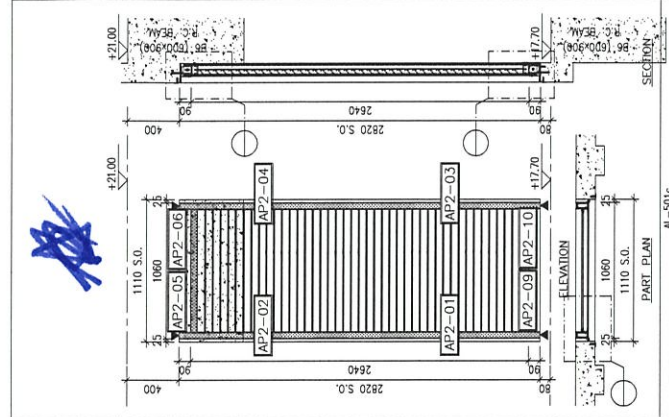
SCALE : 1:40

CHECKED BY : DW

DRAWN BY : LHR

MEINHARDT INTERNATIONAL LTD.  
 Units 6-8, Sunny Industrial Centre, 1/F  
 610 Che Kwo Ling Road, Kowloon  
 Tel: 23489211-4 Fax: (852) 7272666

REV. : C



ELEVATION

LOWER MARK	FLOOR	ROOM
AL-501	FAN ROOM	
AL-501b	EMERGENCY GENSET ROOM	
AL-501c	LV SWITCH ROOM 1	

REMARKS : WEATHERPROOF LOUVER (60% FREE AREA)

ELEVATION

LOWER MARK	FLOOR	ROOM
AL-501a	FAN ROOM	
AL-501b	EMERGENCY GENSET ROOM	
AL-501c	LV SWITCH ROOM 1	

REMARKS : WEATHERPROOF LOUVER (60% FREE AREA)

ELEVATION

LOWER MARK	FLOOR	ROOM
AL-501a	FAN ROOM	
AL-501b	EMERGENCY GENSET ROOM	
AL-501c	LV SWITCH ROOM 1	

REMARKS : WEATHERPROOF LOUVER (60% FREE AREA)

401a

401b

401c

B.D. REF :

CLIENT :

ARCHITECT :

MAIN CONTRACTOR :



NOTE :

1. ALL DIMENSIONS ARE IN mm.
2. ALL ELEVATIONS ARE VIEWED FROM OUTSIDE.
3. ALL DIMENSIONS TO BE VERIFIED ON SITE BEFORE FABRICATION.

LEGEND :

- DETAIL MARK NO.
- REFER SHEET NO.
- 1. F.F.L. --- FINISHED FLOOR LEVEL
- 2. S.F.L. --- STRUCTURAL FLOOR LEVEL
- 3. S.O. --- STRUCTURAL OPENING
- 4. ▲ FINING LOCATION
- 5. S.Z. --- STRUCTURAL FLOOR LEVEL MARK

NO.	DATE	REVISION
D	29-10-2020	REVISION SUBJECT TO COMMENTS
C	05-08-2020	REVISION SUBJECT TO COMMENTS
B	27-04-2020	REVISION SUBJECT TO COMMENTS
A	19-02-2020	REVISION SUBJECT TO COMMENTS
REV.		

PROJ. NO. : J-852

PROJECT : PROPOSED RESIDENTIAL DEVELOPMENT  
AT 139 - 147 ARCADE STREET  
MKL 6005, 6035, R.P. 6036 R.P.,  
6037 R.P. & 6038 R.P.

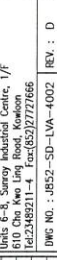
TITLE : LOUVER SCHEDULE FOR  
ALUM. LOUVER

DATE : 12-Feb-2020

SCALE : 1:40

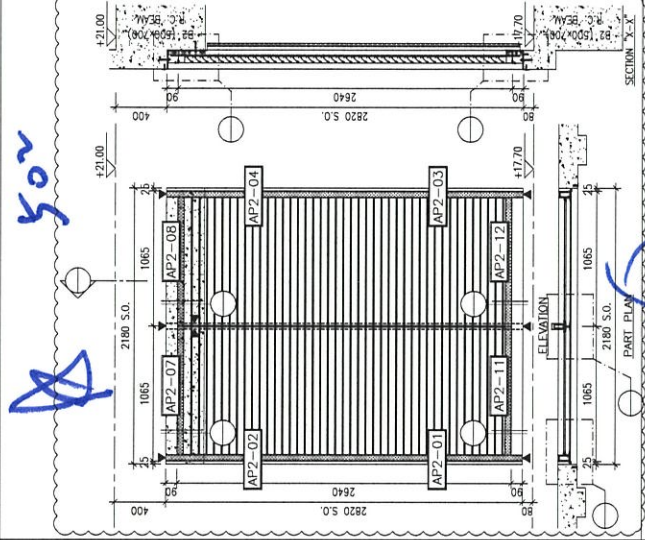
DRAWN BY : LHR

CHECKED BY : DW

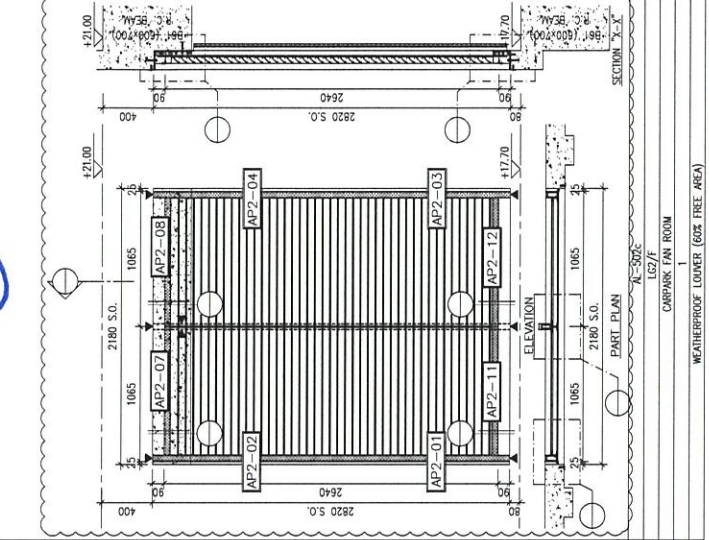


DWG NO. : J852-SD-LV-4002

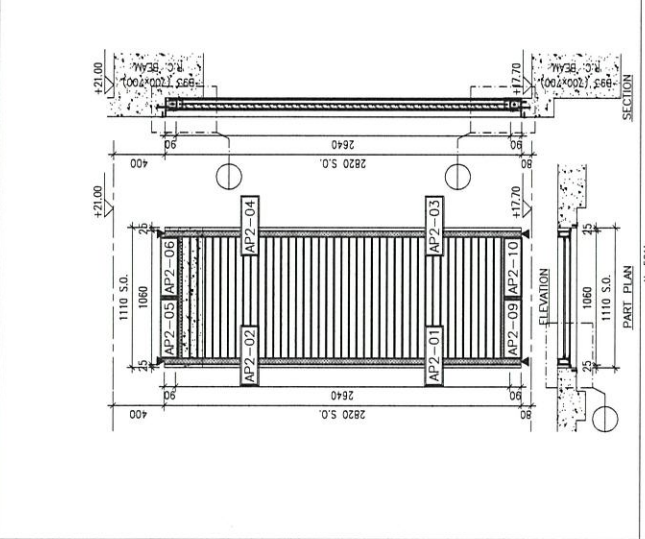
REV. : D



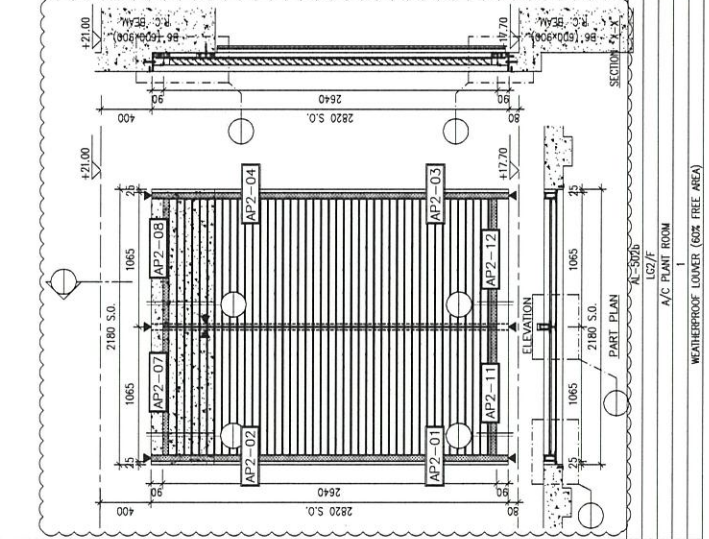
LOUVER MARK  
A-501h  
LGZ/F  
1  
EMERGENCY GINSEK ROOM  
WEATHERPROOF LOUVER (60% FREE AREA)



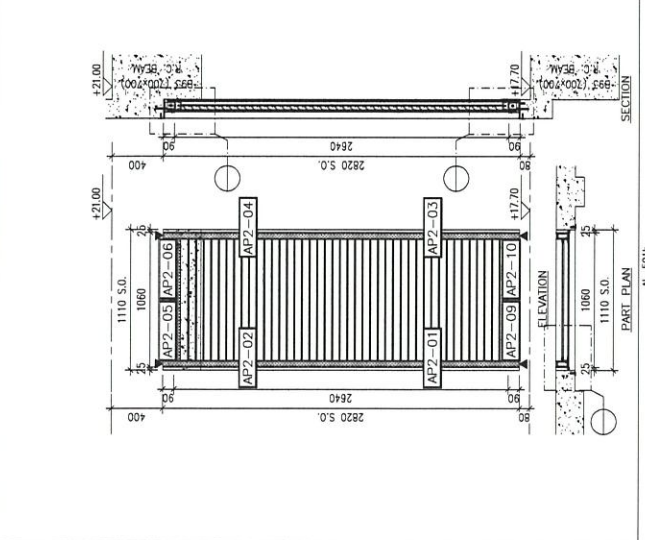
LOUVER MARK  
A-502h  
LGZ/F  
1  
CARPARK FAN ROOM  
WEATHERPROOF LOUVER (60% FREE AREA)



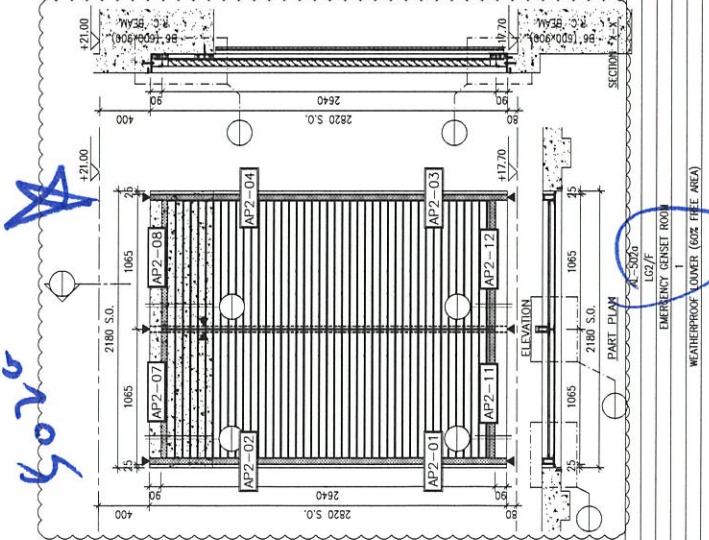
LOUVER MARK  
A-501f  
LGZ/F  
1  
CARPARK  
WEATHERPROOF LOUVER (60% FREE AREA)



LOUVER MARK  
A-502f  
LGZ/F  
1  
A/C PLANT ROOM  
WEATHERPROOF LOUVER (60% FREE AREA)



LOUVER MARK  
A-501h  
LGZ/F  
1  
CARPARK  
WEATHERPROOF LOUVER (60% FREE AREA)



LOUVER MARK  
A-502h  
LGZ/F  
1  
EMERGENCY GINSEK ROOM  
WEATHERPROOF LOUVER (60% FREE AREA)

LOUVER MARK	ELEVATION
A-501h	1
A-501f	1
A-502h	1
A-502f	1

LOUVER MARK	ELEVATION
A-501h	1
A-501f	1
A-502h	1
A-502f	1

B.D. REF :

CLIENT :

ARCHITECT : AGC BESTER LTD

MAIN CONTRACTOR :



STRUCTURAL ENGINEER :

ARUP

FACADE CONSULTANT:

MEINHARDT

NOTE :

- 1. ALL DIMENSIONS ARE IN mm.
- 2. ALL DIMENSIONS ARE VIEWED FROM OUTSIDE.
- 3. ALL DIMENSIONS TO BE VERIFIED ON SITE.
- 4. SEE THE FACED DRAWING.

LEGEND :

- 1. F.F.L. --- FINISHED FLOOR LEVEL
- 2. S.F.L. --- STRUCTURAL FLOOR LEVEL
- 3. S.O. --- STRUCTURAL OPENING
- 4. ▲ --- FINING LOCATION
- 5. √ --- STRUCTURAL FLOOR LEVEL MARK

DETAIL MARK NO.

REFER SHEET NO.

1. F.F.L. --- FINISHED FLOOR LEVEL

2. S.F.L. --- STRUCTURAL FLOOR LEVEL

3. S.O. --- STRUCTURAL OPENING

4. ▲ --- FINING LOCATION

5. √ --- STRUCTURAL FLOOR LEVEL MARK

NO.	DATE	REVISION
B	29-10-2020	REVISION SHEET TO COMMENTS
C	05-06-2020	REVISION SHEET TO COMMENTS
D	27-04-2020	REVISION SHEET TO COMMENTS
A	19-02-2020	REVISION SHEET TO COMMENTS
1		ISSUED

JOB NO. : J-852

PROJECT :  
 PROPOSED RESIDENTIAL DEVELOPMENT  
 AT 139 - 147 ARGYLE STREET,  
 NRIIL 6005, 6035 R.P., 6036 R.P.,  
 6037 R.P. & 6038 R.P.

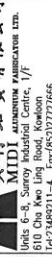
TITLE :  
 LOUVER SCHEDULE FOR  
 ALUM. LOUVER

DWG NO. : JBS2-SD-LVA-4003

SCALE : 1:40

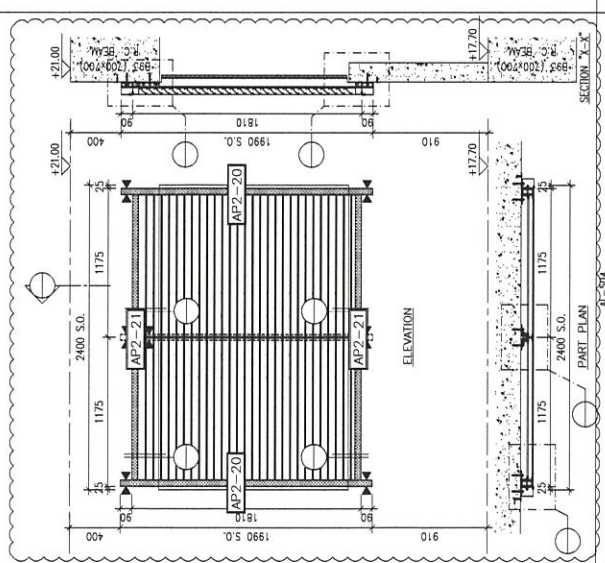
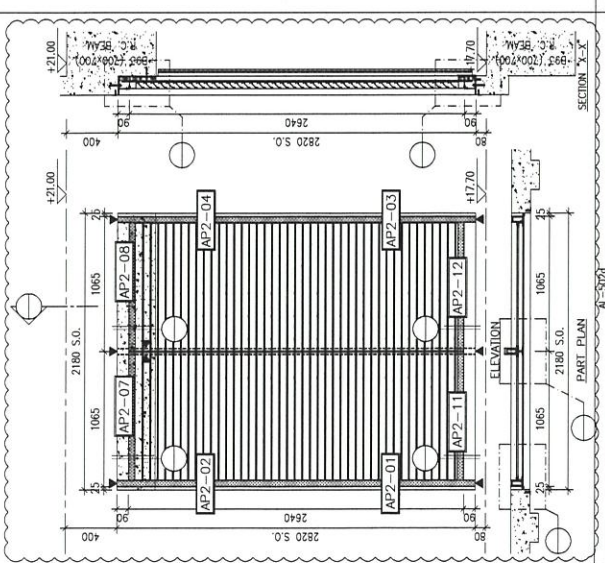
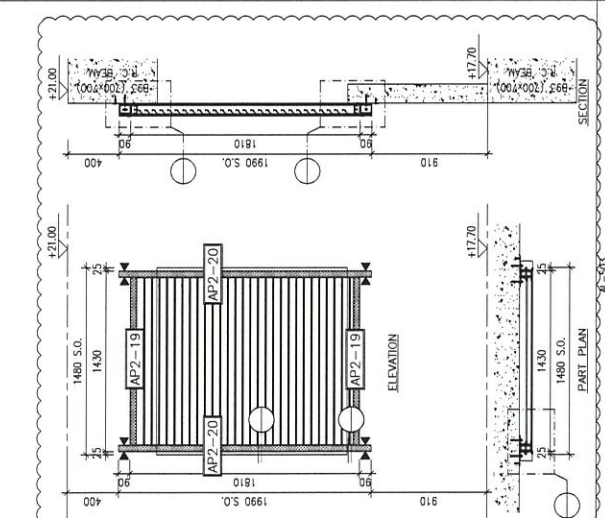
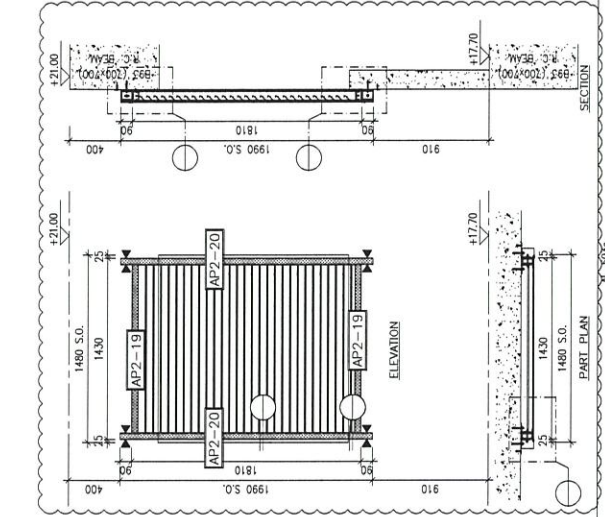
DRAWN BY : LHR

CHECKED BY : DW



Units 6-8, Sunny Industrial Centre, 1/F  
 142-146 Kwai Jung Road, Kwun Tong  
 Kowloon, Hong Kong  
 Tel: (852) 27272666

REV. : D



LOUVER MARK  
 FLOOR LOCATION  
 QUANTITY  
 REMARKS

WEATHERPROOF LOUVER (60% FREE AREA)

WEATHERPROOF LOUVER (60% FREE AREA)

WEATHERPROOF LOUVER (60% FREE AREA)

WEATHERPROOF LOUVER (60% FREE AREA)

WEATHERPROOF LOUVER (60% FREE AREA)

WEATHERPROOF LOUVER (60% FREE AREA)

WEATHERPROOF LOUVER (60% FREE AREA)

WEATHERPROOF LOUVER (60% FREE AREA)

WEATHERPROOF LOUVER (60% FREE AREA)

WEATHERPROOF LOUVER (60% FREE AREA)

WEATHERPROOF LOUVER (60% FREE AREA)

WEATHERPROOF LOUVER (60% FREE AREA)

WEATHERPROOF LOUVER (60% FREE AREA)

WEATHERPROOF LOUVER (60% FREE AREA)

WEATHERPROOF LOUVER (60% FREE AREA)

WEATHERPROOF LOUVER (60% FREE AREA)

WEATHERPROOF LOUVER (60% FREE AREA)

WEATHERPROOF LOUVER (60% FREE AREA)

WEATHERPROOF LOUVER (60% FREE AREA)

WEATHERPROOF LOUVER (60% FREE AREA)

WEATHERPROOF LOUVER (60% FREE AREA)

WEATHERPROOF LOUVER (60% FREE AREA)

WEATHERPROOF LOUVER (60% FREE AREA)

WEATHERPROOF LOUVER (60% FREE AREA)

WEATHERPROOF LOUVER (60% FREE AREA)

WEATHERPROOF LOUVER (60% FREE AREA)

WEATHERPROOF LOUVER (60% FREE AREA)

WEATHERPROOF LOUVER (60% FREE AREA)

WEATHERPROOF LOUVER (60% FREE AREA)

WEATHERPROOF LOUVER (60% FREE AREA)

WEATHERPROOF LOUVER (60% FREE AREA)

WEATHERPROOF LOUVER (60% FREE AREA)

WEATHERPROOF LOUVER (60% FREE AREA)

WEATHERPROOF LOUVER (60% FREE AREA)

WEATHERPROOF LOUVER (60% FREE AREA)

WEATHERPROOF LOUVER (60% FREE AREA)

WEATHERPROOF LOUVER (60% FREE AREA)

WEATHERPROOF LOUVER (60% FREE AREA)

WEATHERPROOF LOUVER (60% FREE AREA)

WEATHERPROOF LOUVER (60% FREE AREA)

WEATHERPROOF LOUVER (60% FREE AREA)

WEATHERPROOF LOUVER (60% FREE AREA)

WEATHERPROOF LOUVER (60% FREE AREA)

WEATHERPROOF LOUVER (60% FREE AREA)

WEATHERPROOF LOUVER (60% FREE AREA)

WEATHERPROOF LOUVER (60% FREE AREA)

WEATHERPROOF LOUVER (60% FREE AREA)

WEATHERPROOF LOUVER (60% FREE AREA)

WEATHERPROOF LOUVER (60% FREE AREA)

LOUVER MARK  
 FLOOR LOCATION  
 QUANTITY  
 REMARKS

WEATHERPROOF LOUVER (60% FREE AREA)

WEATHERPROOF LOUVER (60% FREE AREA)

WEATHERPROOF LOUVER (60% FREE AREA)

WEATHERPROOF LOUVER (60% FREE AREA)



BD. REF. :

CLIENT :

ARCHITECT : **AGC DESIGN LTD**  
 10/F, 100, QUEEN'S ROAD EAST, HONG KONG  
 10/F, 100, QUEEN'S ROAD EAST, HONG KONG

MAIN CONTRACTOR : **Gammon**  
 STRUCTURAL ENGINEER :

FACE CONSULTANT: **ARUP**  
**MEINHARDT**

NOTE :

- ALL DIMENSIONS ARE IN MM.
- ALL ELEVATIONS ARE VIEWED FROM OUTSIDE.
- ALL DIMENSIONS TO BE KEPT ON SITE BEFORE FABRICATION.

LEGEND :

① — DETAIL MARK NO.  
 ② — REFER SHEET NO.

- F.F.L. — FINISHED FLOOR LEVEL
- S.F.L. — STRUCTURAL FLOOR LEVEL
- S.O. — STRUCTURAL OPENING
- ▲ — FIXING LOCATION
- ▽ — STRUCTURAL FLOOR LEVEL MARK

NO.	DATE	REVISION
1	20-10-2020	REVISION SUBJECT TO COMMENTS
2	05-06-2020	REVISION SUBJECT TO COMMENTS
3	27-04-2020	REVISION SUBJECT TO COMMENTS
4	18-02-2020	REVISION SUBJECT TO COMMENTS
5		REVISED

JOB NO. : J-852

PROJECT : PROPOSED RESIDENTIAL DEVELOPMENT  
 AT 139 - 147 ARGYLE STREET,  
 HKHL 6005, 6035 R.P., 6036 R.P.,  
 6037 R.P. & 6038 R.P.

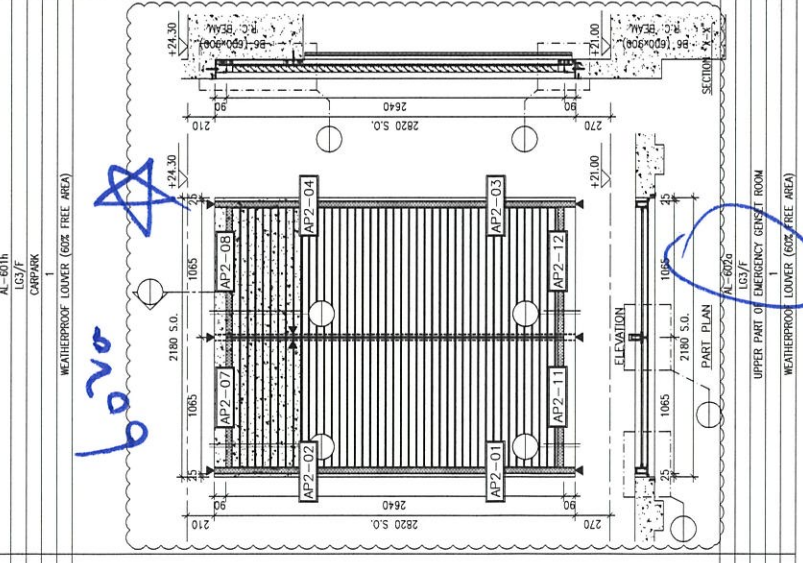
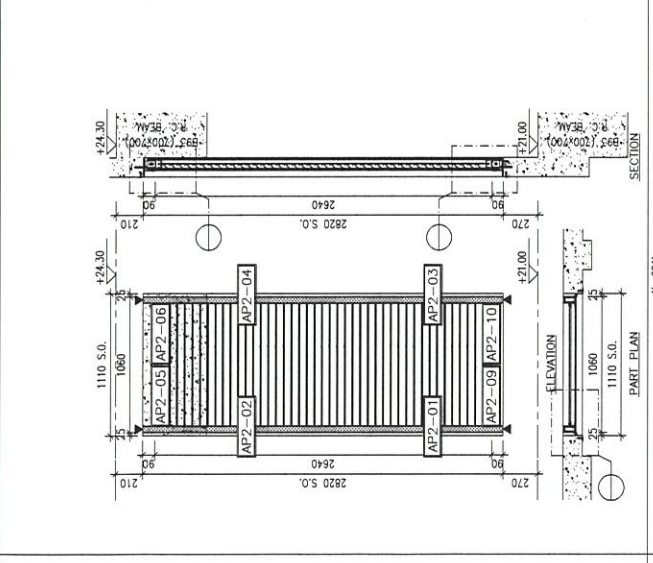
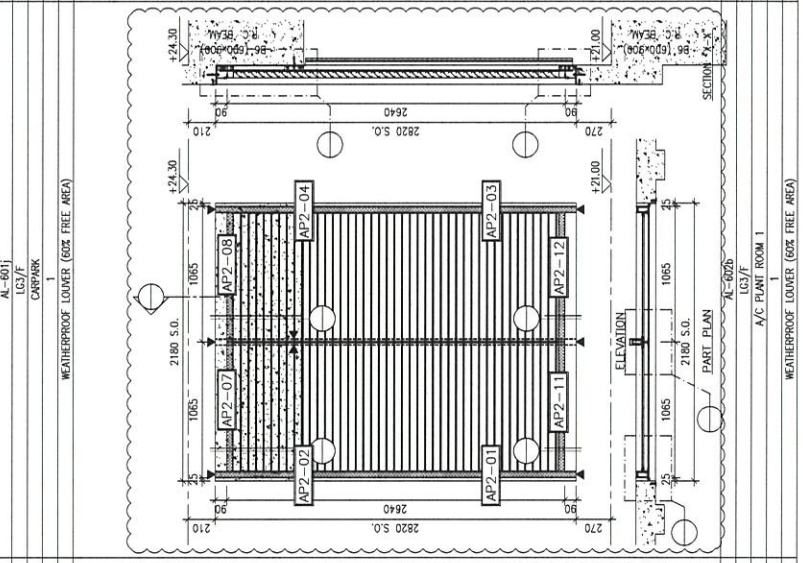
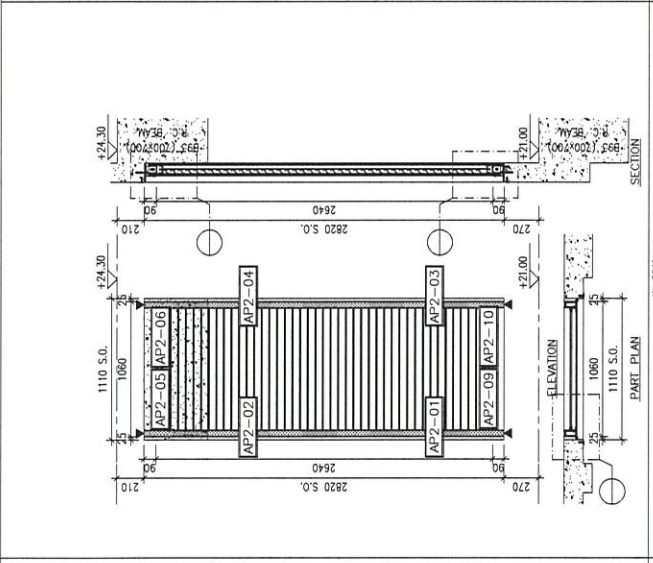
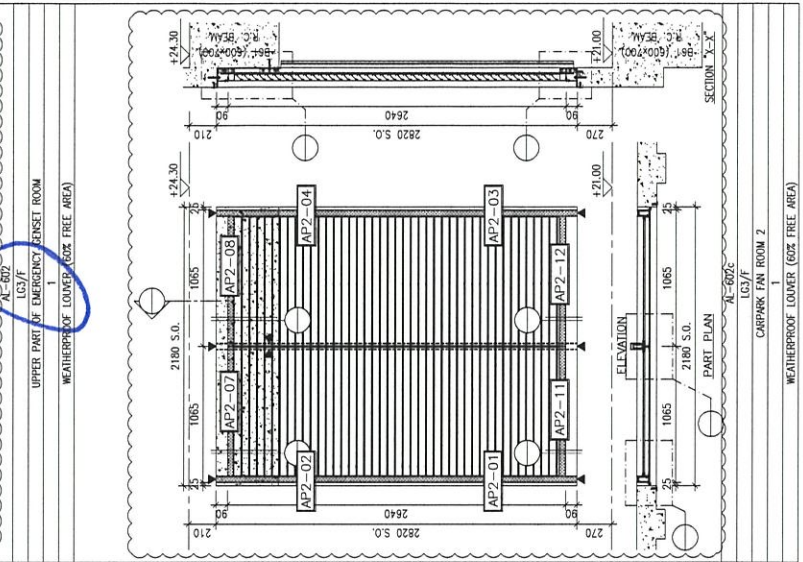
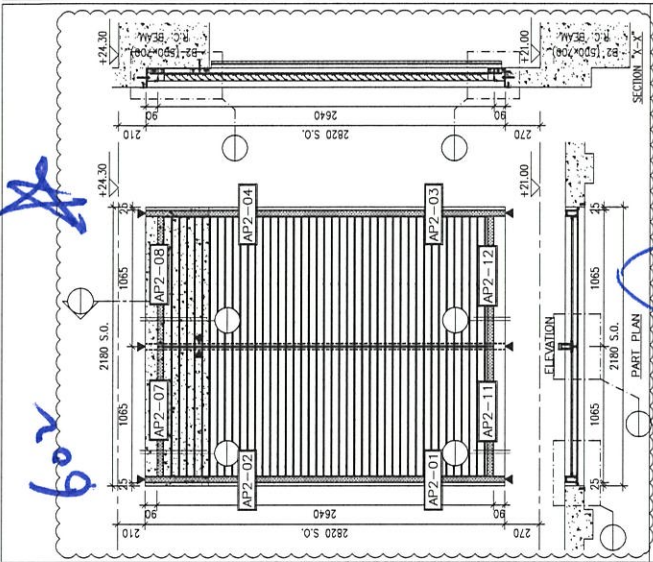
TITLE : LOUVER SCHEDULE FOR  
 ALUM. LOUVER

DATE : 12-Feb-2020 SCALE : 1:40

DRAWN BY : LHR CHECKED BY : DW

UNITED STATES OF AMERICA  
**MIDI** ARCHITECTURE & INTERIOR LTD.  
 Units 6-8, Sunny Industrial Centre, 1/F  
 810 Che Kwo Ling Road, Kowloon  
 TEL: 24248211-4 Fax: (852) 2777666

DWG NO. : J852-S0-LVA-4005 REV. : D



LOUVER MARK	FLOOR	ROOM	LOCATION	QUANTITY	REMARKS
AL-601J	UG/F	CARPARK	UPPER PART OF EMERGENCY GENSET ROOM	1	WEATHERPROOF LOUVER (60% FREE AREA)

LOUVER MARK	FLOOR	ROOM	LOCATION	QUANTITY	REMARKS
AL-602K	UG/F	CARPARK	UPPER PART OF EMERGENCY GENSET ROOM	1	WEATHERPROOF LOUVER (60% FREE AREA)

B.D. REF. :

CLIENT :

ARCHITECT :

AGC DESIGN LTD  
ARCHITECTS & INTERIORS  
110, 112, 114, 116, 118, 120, 122, 124, 126, 128, 130, 132, 134, 136, 138, 140, 142, 144, 146, 148, 150, 152, 154, 156, 158, 160, 162, 164, 166, 168, 170, 172, 174, 176, 178, 180, 182, 184, 186, 188, 190, 192, 194, 196, 198, 200, 202, 204, 206, 208, 210, 212, 214, 216, 218, 220, 222, 224, 226, 228, 230, 232, 234, 236, 238, 240, 242, 244, 246, 248, 250, 252, 254, 256, 258, 260, 262, 264, 266, 268, 270, 272, 274, 276, 278, 280, 282, 284, 286, 288, 290, 292, 294, 296, 298, 300, 302, 304, 306, 308, 310, 312, 314, 316, 318, 320, 322, 324, 326, 328, 330, 332, 334, 336, 338, 340, 342, 344, 346, 348, 350, 352, 354, 356, 358, 360, 362, 364, 366, 368, 370, 372, 374, 376, 378, 380, 382, 384, 386, 388, 390, 392, 394, 396, 398, 400, 402, 404, 406, 408, 410, 412, 414, 416, 418, 420, 422, 424, 426, 428, 430, 432, 434, 436, 438, 440, 442, 444, 446, 448, 450, 452, 454, 456, 458, 460, 462, 464, 466, 468, 470, 472, 474, 476, 478, 480, 482, 484, 486, 488, 490, 492, 494, 496, 498, 500, 502, 504, 506, 508, 510, 512, 514, 516, 518, 520, 522, 524, 526, 528, 530, 532, 534, 536, 538, 540, 542, 544, 546, 548, 550, 552, 554, 556, 558, 560, 562, 564, 566, 568, 570, 572, 574, 576, 578, 580, 582, 584, 586, 588, 590, 592, 594, 596, 598, 600, 602, 604, 606, 608, 610, 612, 614, 616, 618, 620, 622, 624, 626, 628, 630, 632, 634, 636, 638, 640, 642, 644, 646, 648, 650, 652, 654, 656, 658, 660, 662, 664, 666, 668, 670, 672, 674, 676, 678, 680, 682, 684, 686, 688, 690, 692, 694, 696, 698, 700, 702, 704, 706, 708, 710, 712, 714, 716, 718, 720, 722, 724, 726, 728, 730, 732, 734, 736, 738, 740, 742, 744, 746, 748, 750, 752, 754, 756, 758, 760, 762, 764, 766, 768, 770, 772, 774, 776, 778, 780, 782, 784, 786, 788, 790, 792, 794, 796, 798, 800, 802, 804, 806, 808, 810, 812, 814, 816, 818, 820, 822, 824, 826, 828, 830, 832, 834, 836, 838, 840, 842, 844, 846, 848, 850, 852, 854, 856, 858, 860, 862, 864, 866, 868, 870, 872, 874, 876, 878, 880, 882, 884, 886, 888, 890, 892, 894, 896, 898, 900, 902, 904, 906, 908, 910, 912, 914, 916, 918, 920, 922, 924, 926, 928, 930, 932, 934, 936, 938, 940, 942, 944, 946, 948, 950, 952, 954, 956, 958, 960, 962, 964, 966, 968, 970, 972, 974, 976, 978, 980, 982, 984, 986, 988, 990, 992, 994, 996, 998, 1000

MAIN CONTRACTOR :



STRUCTURAL ENGINEER :

ARUP  
FAÇADE CONSULTANT:

MEINHARDT

NOTE :

1. ALL DIMENSIONS ARE IN MM.
2. ALL ELEVATIONS ARE VIEWED FROM OUTSIDE.
3. ALL DIMENSIONS TO BE VERIFIED ON SITE BEFORE FABRICATION.

LEGEND :

ⓧ DETAIL MARK NO.  
ⓧ REFER SHEET NO.

1. F.F.L. -- FINISHED FLOOR LEVEL
2. S.F.L. -- STRUCTURAL FLOOR LEVEL
3. S.O. -- STRUCTURAL OPENING
4. ▲ -- FINING LOCATION
5. ⚡ -- STRUCTURAL FLOOR LEVEL MARK

NO.	DATE	REVISION	REVISION SUBJECT TO COMMENTS	BY
B	25-10-2020	REVISION	SUBJECT TO COMMENTS	MM
C	05-06-2020	REVISION	SUBJECT TO COMMENTS	MM
B	27-04-2020	REVISION	SUBJECT TO COMMENTS	MM
A	19-02-2020	REVISION	SUBJECT TO COMMENTS	MM
NO.	DATE	REVISION	REVISION SUBJECT TO COMMENTS	BY

JOB NO. : J-852

PROJECT :

PROPOSED RESIDENTIAL DEVELOPMENT  
AT 139 - 147 ARGYLE STREET,  
NKIL 6005, 6035 R.P., 6036 R.P.,  
6037 R.P. & 6038 R.P.

TITLE :

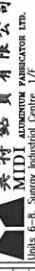
LOUVER SCHEDULE FOR  
ALUM. LOUVER

DATE : 12-Feb-2020

SCALE : 1:40

DRAWN BY : LHR

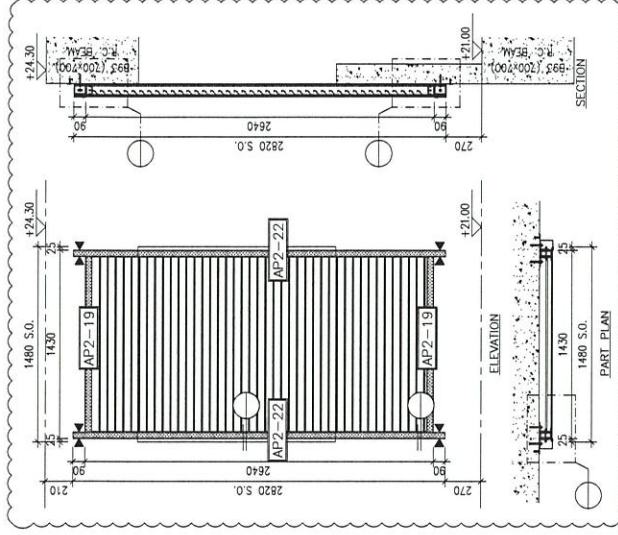
CHECKED BY : DW



Units 6-8, Sunjoo Industrial Centre, 1/F  
162,248,251-4, Fox Road, Kowloon

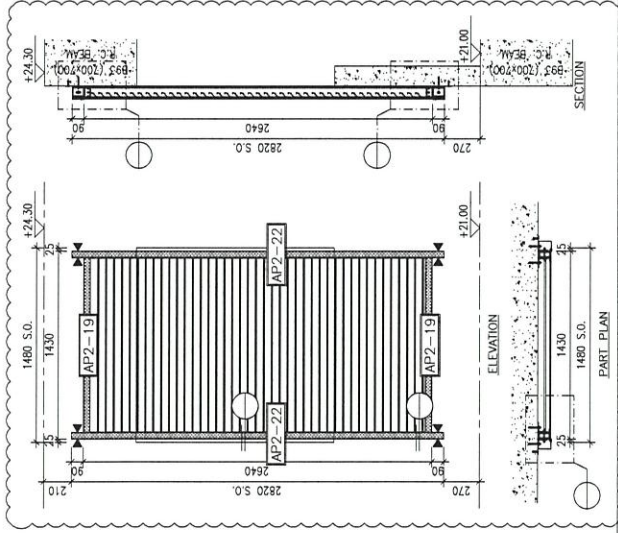
DWG NO. : JB52-SD-LVA-4006

REV. : D



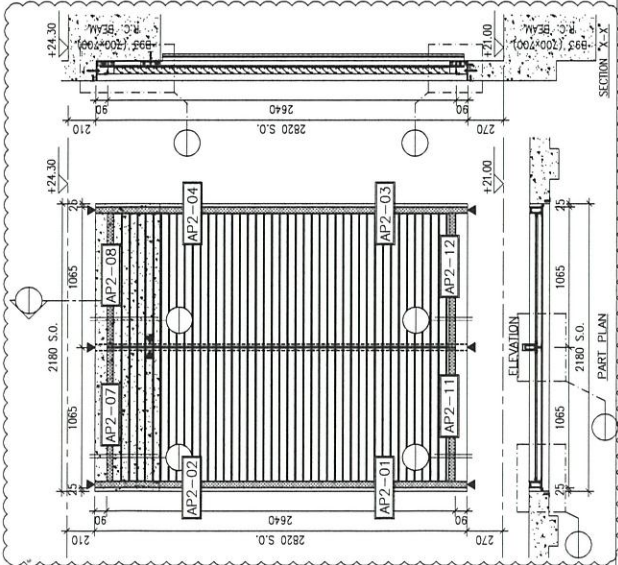
A-6056  
LCS/F  
CAR RAMP

WEATHERPROOF LOUVER (60% FREE AREA)



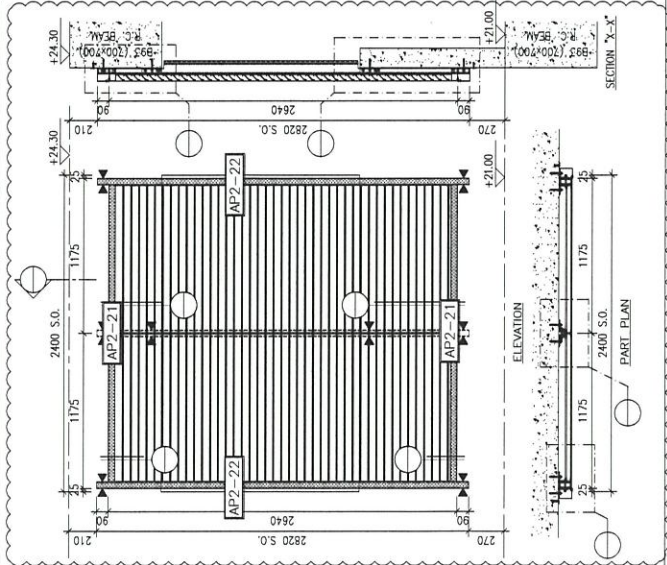
A-605  
LCS/F  
CAR RAMP

WEATHERPROOF LOUVER (60% FREE AREA)



A-6073  
LCS/F  
CARPARK

WEATHERPROOF LOUVER (60% FREE AREA)



A-604  
LCS/F  
CAR RAMP

WEATHERPROOF LOUVER (60% FREE AREA)

ELEVATION

LOUVER MARK  
LOCATION  
ROOM  
QUANTITY  
REMARKS

ELEVATION

LOUVER MARK  
LOCATION  
ROOM  
QUANTITY  
REMARKS



B.O. REF :

CLIENT :

ARCHITECT : **AGC DESIGN LTD**  
 10/F, 100, WING LOK STREET, HONG KONG  
 MAIN CONTRACTOR :

STRUCTURAL ENGINEER : **GAMMON**

FAÇADE CONSULTANT : **ARUP**  
**MEINHARDT**

NOTE :

1. ALL DIMENSIONS ARE IN MM.
2. ALL ELEVATIONS ARE VIEWED FROM OUTSIDE.
3. BEFORE FABRICATION.

LEGEND :

DETAIL MARK NO. (REFER SHEET NO.)

1. F.F.L. — FINISHED FLOOR LEVEL
2. S.F.L. — STRUCTURAL FLOOR LEVEL
3. S.O. — STRUCTURAL OPENING
4. ▲ — FIXING LOCATION
5. √ — STRUCTURAL FLOOR LEVEL MARK

NO.	DATE	REVISION
D	24-12-2020	REVISION SUBJECT TO COMMENTS
C	05-04-2020	REVISION SUBJECT TO COMMENTS
B	27-04-2020	REVISION SUBJECT TO COMMENTS
A	18-02-2020	REVISION SUBJECT TO COMMENTS

JOB NO. : J-852

PROJECT : PROPOSED RESIDENTIAL DEVELOPMENT  
 AT 139 - 147 ARGYLE STREET,  
 NKIL 6005, 6035 R.P., 6036 R.P.,  
 6037 R.P. & 6038 R.P.

TITLE : LOUVER SCHEDULE FOR ALUM. LOUVER

DATE : 12-Feb-2020 SCALE : 1:40

DRAWN BY : LHR CHECKED BY : DW

DATE : 12-Feb-2020 SCALE : 1:40

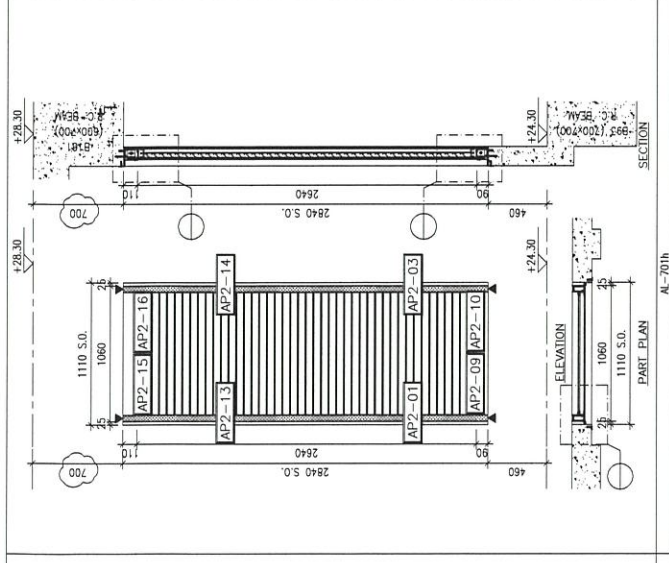
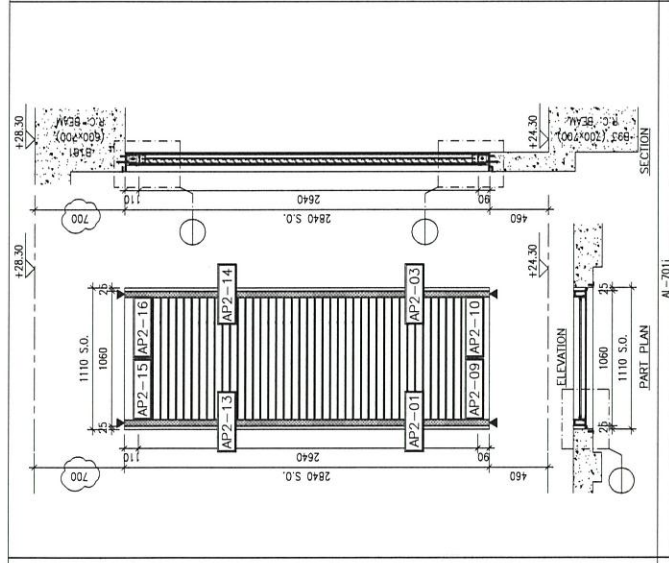
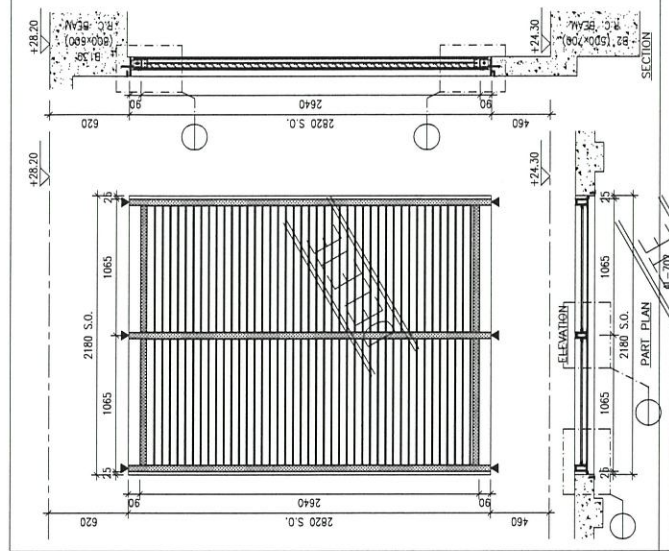
DRAWN BY : LHR CHECKED BY : DW

PROJECT : PROPOSED RESIDENTIAL DEVELOPMENT  
 AT 139 - 147 ARGYLE STREET,  
 NKIL 6005, 6035 R.P., 6036 R.P.,  
 6037 R.P. & 6038 R.P.

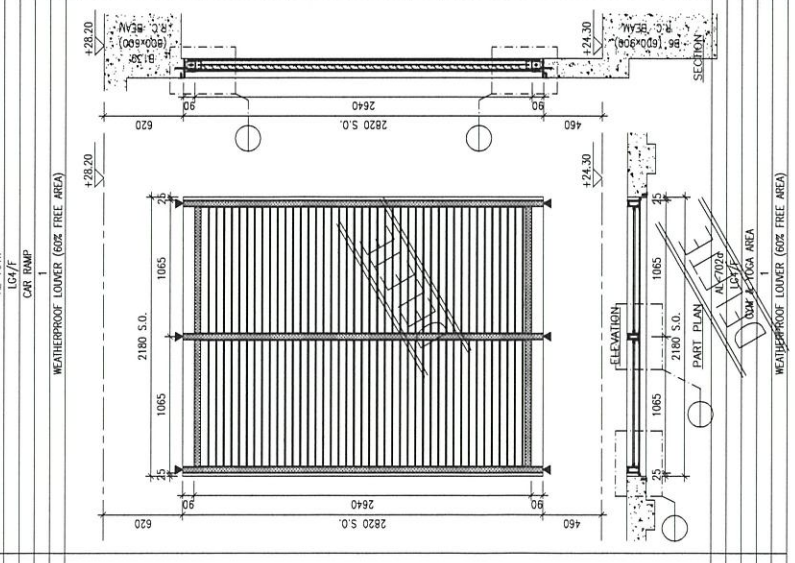
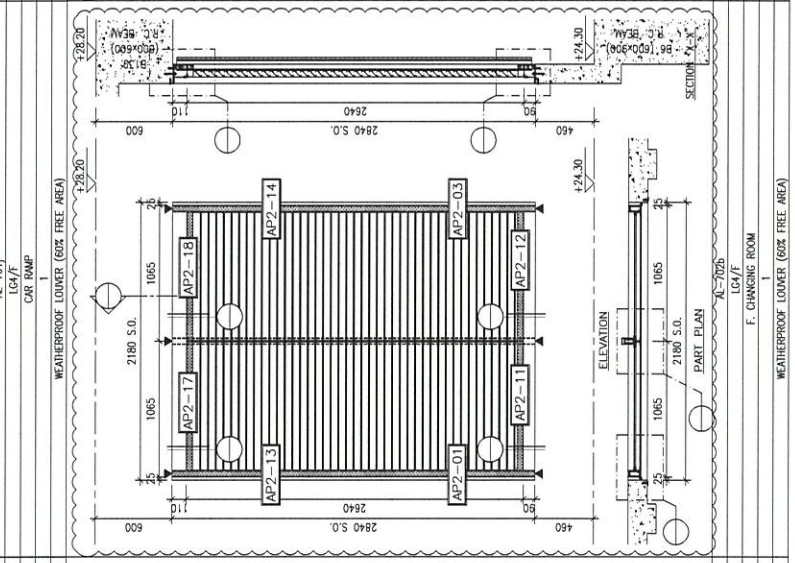
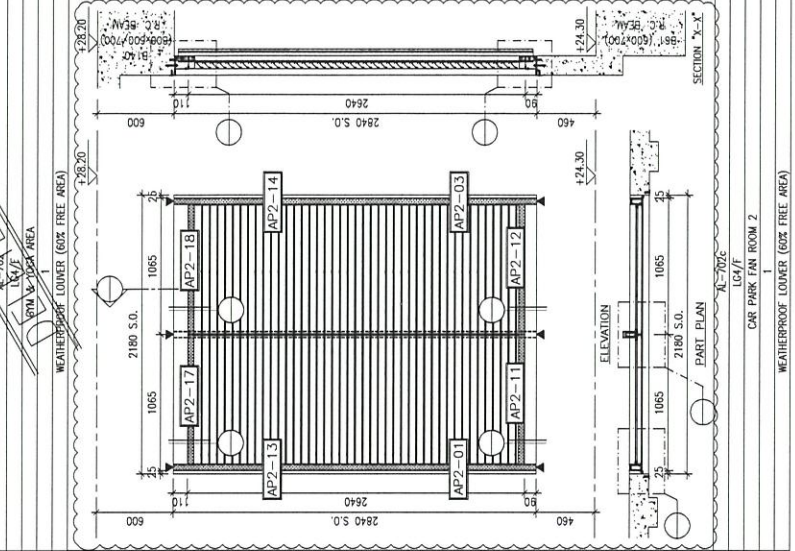
TITLE : LOUVER SCHEDULE FOR ALUM. LOUVER

CLIENT : **美特鋁質有限公司**  
 MIDO Aluminium Co., Ltd.  
 Units 6-8, Sunny Industrial Centre, 1/F  
 810 Chee Nin Road, Kwun Tong  
 KWT2469711-4 Fax: (852) 7777666

DWG NO. : J852-S0-LVA-4008 REV. : D



LOUVER MARK	FLOOR	LOCATION	ROOM	QUANTITY	REMARKS
AL-701	LG4/F	CAR RAMP			



LOUVER MARK	FLOOR	LOCATION	ROOM	QUANTITY	REMARKS
AL-702	LG4/F	CAR RAMP			

B.D. REF :

CLIENT :

ARCHITECT : **AGC DESIGN LTD**

MAIN CONTRACTOR :

STRUCTURAL ENGINEER : **GAMMON**

FACE CONSULTANT : **ARUP**

**MEINHARDT**

NOTE:

1. ALL DIMENSIONS ARE IN MM.
2. ALL ELEVATIONS ARE VIEWED FROM OUTSIDE.
3. ALL DIMENSIONS TO BE VERIFIED ON SITE BEFORE FABRICATION.

LEGEND:

① RETAIL MARK NO.  
② REFER SHEET NO.

1. F.F.L. -- FINISHED FLOOR LEVEL
2. S.F.L. -- STRUCTURAL FLOOR LEVEL
3. S.O. -- STRUCTURAL OPENING
4. ▲ -- FINING LOCATION
5. S. -- STRUCTURAL FLOOR LEVEL MARK

NO.	DATE	REVISION
D	29-10-2020	REVISION SUBJECT TO COMMENTS
C	09-06-2020	REVISION SUBJECT TO COMMENTS
B	27-04-2020	REVISION SUBJECT TO COMMENTS
A	19-02-2020	REVISION SUBJECT TO COMMENTS
ME		ISSUED
BY		

JOB NO. : J-852

PROJECT : PROPOSED RESIDENTIAL DEVELOPMENT  
AT 139 - 147 ARGYLE STREET,  
NKIL 6005, 6035 R.P., 6036 R.P.,  
6037 R.P. & 6038 R.P.

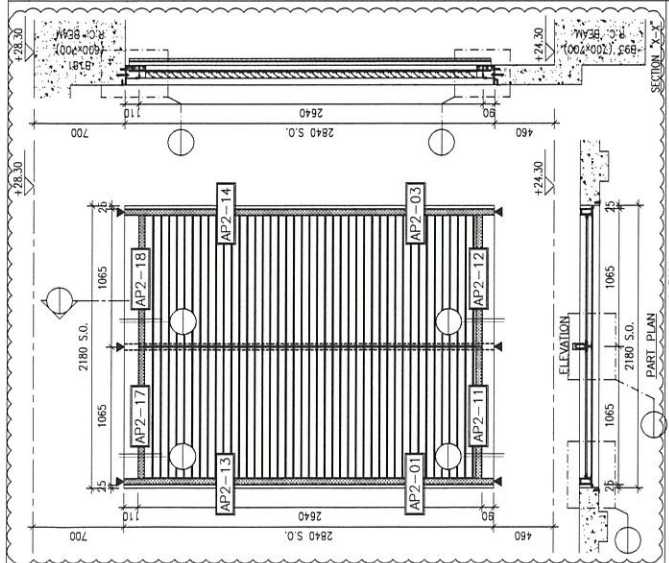
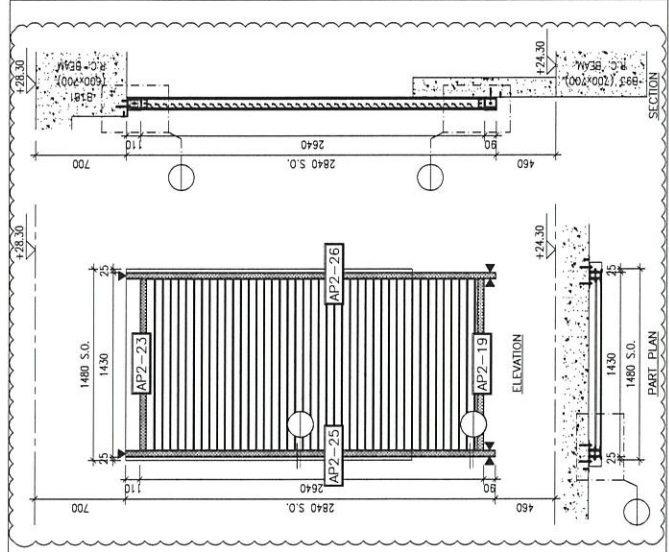
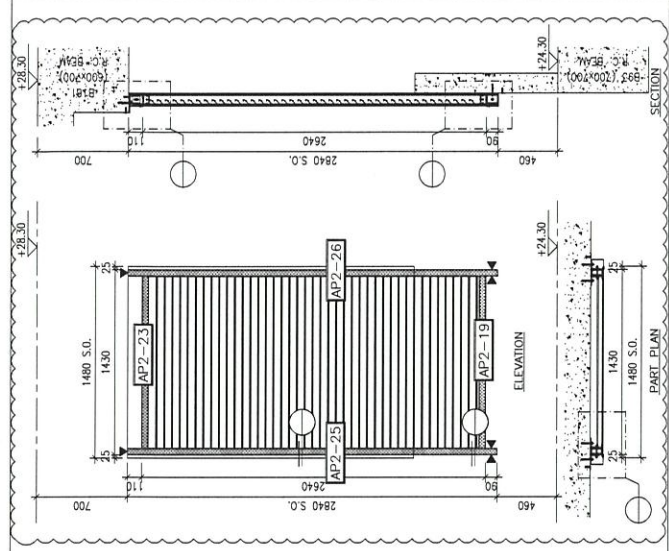
TITLE : LOWER SCHEDULE FOR ALUM. LOUVER

DATE : 12-FEB-2020 SCALE : 1:40

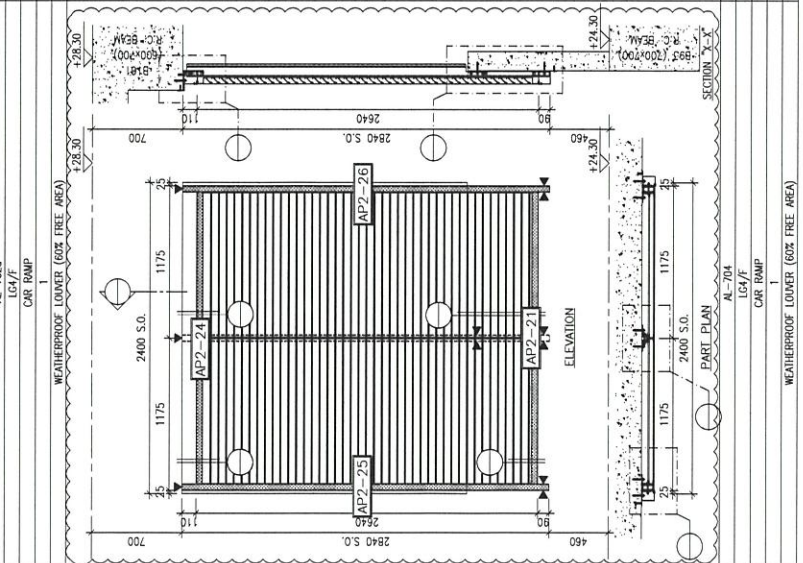
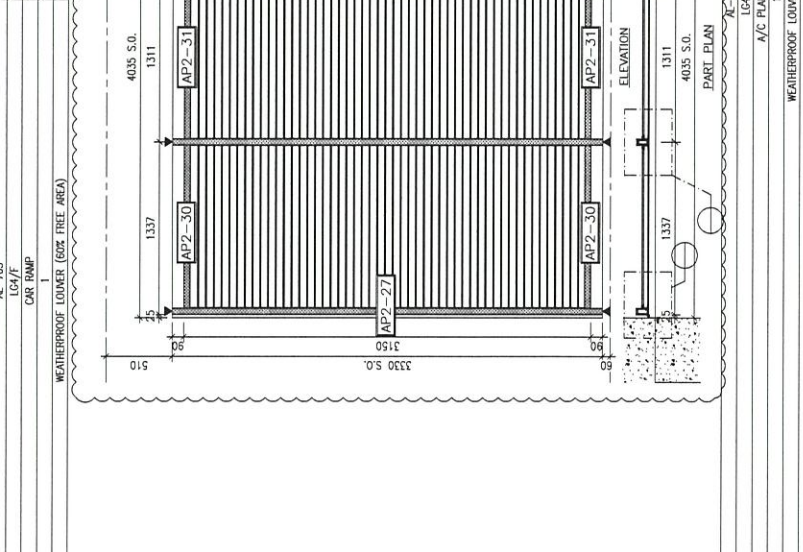
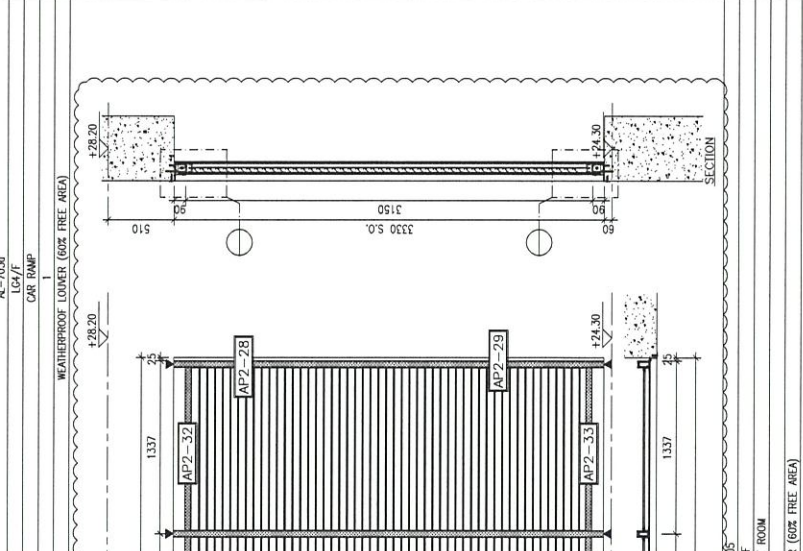
DRAWN BY : LHR CHECKED BY : DW

UNITED MTD ENGINEERING LTD.  
Units 6-8, Sunway Industrial Centre, 17  
610 Cho Kwo Ling Road, Kowloon  
Tel: 23488211-4 Fax: (852) 2727666

DWG NO. : 0552-SD-LVA-4009 REV. : D



LOUVER MARK	FLOOR
LOCATION	ROOM
QUANTITY	
REMARKS	



LOUVER MARK	FLOOR
LOCATION	ROOM
QUANTITY	
REMARKS	

BD. REF. :

CLIENT :

ARCHITECT : **AGC DESIGN LTD**  
AGC DESIGN LTD  
 10/F, 100, WING LOK STREET, KOWLOON  
 HONG KONG

MAIN CONTRACTOR : **Gammon**

STRUCTURAL ENGINEER : **ARUP**

FAÇADE CONSULTANT : **MEINHARDT**

NOTE :

1. ALL DIMENSIONS ARE IN MM.
2. ALL ELEVATIONS ARE VIEWED FROM OUTSIDE.
3. ALL DIMENSIONS TO BE VERIFIED ON SITE BEFORE FABRICATION.

LEGEND :

31 (305) DETAIL MARK NO.  
 REFER SHEET NO.

1. F.F.L. -- FINISHED FLOOR LEVEL
2. S.F.L. -- STRUCTURAL FLOOR LEVEL
3. S.O. -- STRUCTURAL OPENING
4. ▲ -- FINING LOCATION
5. √ -- STRUCTURAL FLOOR LEVEL MARK

NO.	DATE	REVISION	REVISION SUBJECT TO COMMENTS
B	24-10-2020	REVISION SUBJECT TO COMMENTS	
C	05-06-2020	REVISION SUBJECT TO COMMENTS	
D	27-04-2020	REVISION SUBJECT TO COMMENTS	
		REVISED	

JOB NO. : J-852

PROJECT : PROPOSED RESIDENTIAL DEVELOPMENT  
 AT 139 - 147 ARGYLE STREET,  
 NKIL 6005, 6035 R.P., 6036 R.P.,  
 6037 R.P. & 6038 R.P.

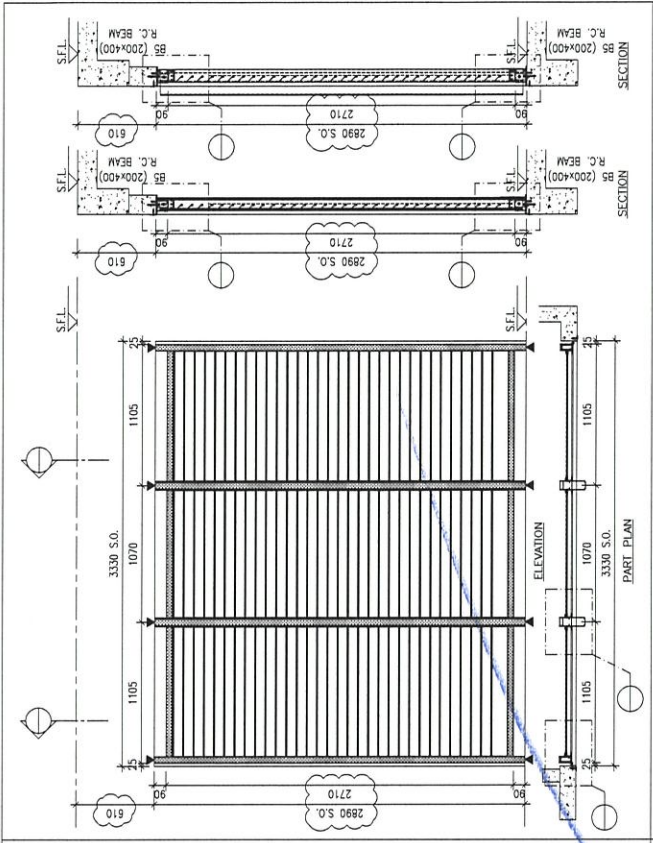
TITLE : LOUVER SCHEDULE FOR  
 ALUM. LOUVER

DATE : 27-Apr-2020 SCALE : 1:40

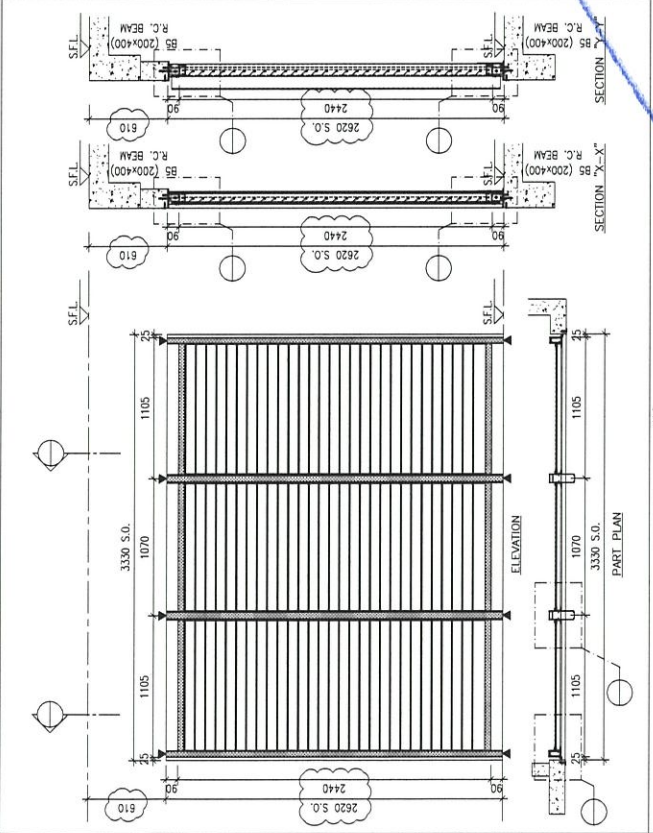
DRAWN BY : LHR CHECKED BY : DW

UNIT : **MIDI**  
Units 6~8, Sunny Industrial Centre, 1/F  
 810 Cha Kwo Ling Road, Kowloon  
 Tel: 23489211-4 Fax: (852) 2772666

DWG NO. : J852-SD-LWA-4010 REV. : D



LOUVER MARK 1 (TOWER 1 & 2 & 3)  
 27/1 - 29/1 (TOWER 1 & 2 & 3)  
 A/C PLANT ROOM  
 6  
 WEATHERPROOF LOUVER (70% FREE AREA)

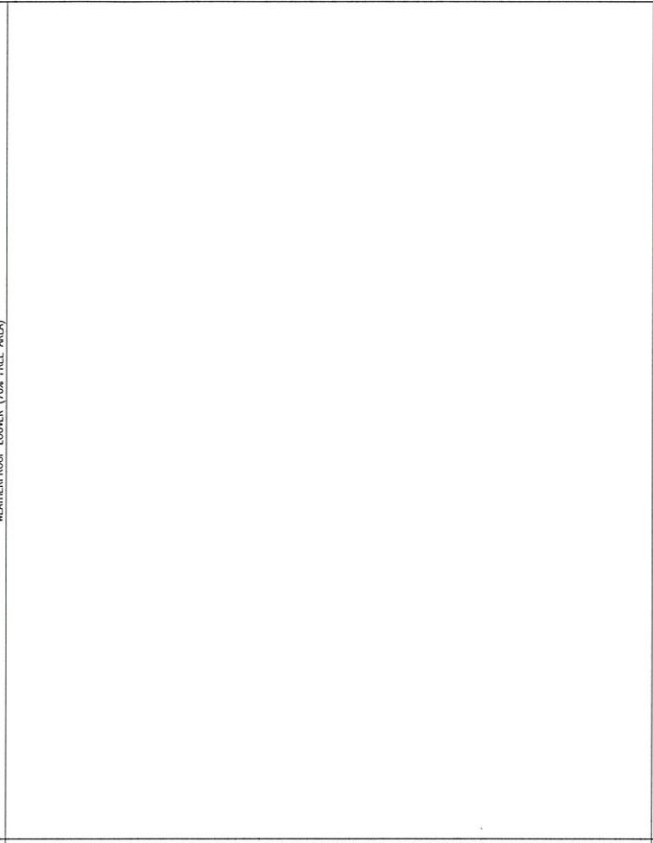


LOUVER MARK 2 (TOWER 1 & 2 & 3)  
 27/2 - 27/4, 13, 14 OMITTED (TOWER 1 & 2 & 3)  
 A/C PLANT ROOM  
 (51)  
 WEATHERPROOF LOUVER (70% FREE AREA)

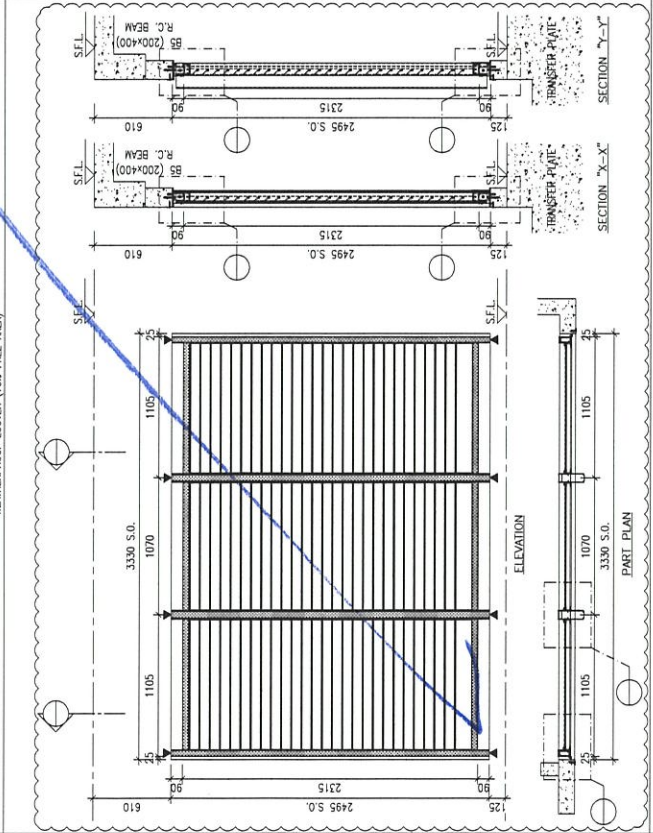
LOUVER MARK	FLOOR	LOCATION	ROOM
1			
2			

QUANTITY

REMARKS



LOUVER MARK 3 (TOWER 1 & 2 & 3)  
 1/1 (TOWER 1 & 2 & 3)  
 A/C PLANT ROOM  
 3  
 WEATHERPROOF LOUVER (70% FREE AREA)



LOUVER MARK 4 (TOWER 1 & 2 & 3)  
 1/2 (TOWER 1 & 2 & 3)  
 A/C PLANT ROOM  
 3  
 WEATHERPROOF LOUVER (70% FREE AREA)

LOUVER MARK	FLOOR	LOCATION	ROOM
3			
4			

QUANTITY

REMARKS





BM編號:		工程號:	J852	計算:	Ivan	日期:	2020.11.24	送呈:						
修改版次:		地盤名稱:	亞皆老街	核對:		日期:		副本:						
廠用鋁板B.M.表		項目類別:	百頁平台地盤用鋁防水片			日期:								
修改內容		鋁板名稱	顏色	實用	後備	總數	總重量	總V.F.:						
序號	修改內容	鋁板圖號	鋁板名稱	顏色	實用	後備	總數	總重量						
				單件展開面積	總展開面積	單件V.F.	總V.F.	總重量:						
				平方米	平方米	平方米	平方米	388.55						
				備註	此BM(依據**拆圖資料計算									
				位置										
1		J852-LVA-AP2-01	1.5mm厚鋁板	MILL	43		43	46.957	0.269	11.552	0.000	0.000	0.000	百葉平台
2		J852-LVA-AP2-02	1.5mm厚鋁板	MILL	30		30	32.761	0.269	8.059	0.000	0.000	0.000	百葉平台
3		J852-LVA-AP2-03	1.5mm厚鋁板	MILL	39		39	42.589	0.269	10.477	0.000	0.000	0.000	百葉平台
4		J852-LVA-AP2-04	1.5mm厚鋁板	MILL	26		26	28.393	0.269	6.985	0.000	0.000	0.000	百葉平台
5		J852-LVA-AP2-05	1.5mm厚鋁板	MILL	21		21	9.588	0.112	2.359	0.000	0.000	0.000	百葉平台
6		J852-LVA-AP2-06	1.5mm厚鋁板	MILL	20		20	9.132	0.112	2.246	0.000	0.000	0.000	百葉平台
7		J852-LVA-AP2-07	1.5mm厚鋁板	MILL	10		10	10.940	0.269	2.691	0.000	0.000	0.000	百葉平台
8		J852-LVA-AP2-08	1.5mm厚鋁板	MILL	10		10	10.940	0.269	2.691	0.000	0.000	0.000	百葉平台
9		J852-LVA-AP2-09	1.5mm厚鋁板	MILL	26		26	15.301	0.145	3.764	0.000	0.000	0.000	百葉平台
10		J852-LVA-AP2-10	1.5mm厚鋁板	MILL	26		26	15.301	0.145	3.764	0.000	0.000	0.000	百葉平台
11		J852-LVA-AP2-11	1.5mm厚鋁板	MILL	13		13	14.222	0.269	3.499	0.000	0.000	0.000	百葉平台
12		J852-LVA-AP2-12	1.5mm厚鋁板	MILL	13		13	14.222	0.269	3.499	0.000	0.000	0.000	百葉平台
13		J852-LVA-AP2-13	1.5mm厚鋁板	MILL	9		9	9.012	0.246	2.217	0.000	0.000	0.000	百葉平台
14		J852-LVA-AP2-14	1.5mm厚鋁板	MILL	9		9	9.012	0.246	2.217	0.000	0.000	0.000	百葉平台
15		J852-LVA-AP2-15	1.5mm厚鋁板	MILL	6		6	3.835	0.157	0.943	0.000	0.000	0.000	百葉平台
16		J852-LVA-AP2-16	1.5mm厚鋁板	MILL	6		6	3.835	0.157	0.943	0.000	0.000	0.000	百葉平台
17		J852-LVA-AP2-17	1.5mm厚鋁板	MILL	3		3	3.565	0.292	0.877	0.000	0.000	0.000	百葉平台
18		J852-LVA-AP2-18	1.5mm厚鋁板	MILL	3		3	3.565	0.292	0.877	0.000	0.000	0.000	百葉平台
19		J852-LVA-AP2-19	1.5mm厚鋁板	MILL	10		10	19.929	0.490	4.903	0.000	0.000	0.000	百葉平台
20		J852-LVA-AP2-20	1.5mm厚鋁板	MILL	6		6	13.944	0.572	3.430	0.000	0.000	0.000	百葉平台

李俊

BM編號:		工程號:	J852	計算:	Ivan	日期:	2020.11.24	送呈:							
修改內容		地盤名稱:	亞皆老街	核對:		日期:		副本:							
廠用鋁板B.M.表		項目類別:	百頁平台地盤用鋁防水片			日期:									
修改版次:		A/C Code:	總V.F.:	總重量:	388.55	此BM依據**拆圖資料計算									
序號	修改內容	鋁板圖號	鋁板名稱	顏色	實用	後備	總數	總重量	單件展開面積		總展開面積	單件V.F.	總V.F.	備註	位置
									平方米	平方米					
21		J852-LVA-AP2-21	1.5mm厚鋁板	MILL	5		5	14.400	0.708	3.542	0.000	0.000			百葉平台
22		J852-LVA-AP2-22	1.5mm厚鋁板	MILL	6		6	19.481	0.799	4.792	0.000	0.000			百葉平台
23		J852-LVA-AP2-23	1.5mm厚鋁板	MILL	2		2	3.264	0.401	0.803	0.000	0.000			百葉平台
24		J852-LVA-AP2-24	1.5mm厚鋁板	MILL	1		1	2.625	0.646	0.646	0.000	0.000			百葉平台
25		J852-LVA-AP2-25	1.5mm厚鋁板	MILL	3		3	9.596	0.787	2.361	0.000	0.000			百葉平台
26		J852-LVA-AP2-26	1.5mm厚鋁板	MILL	3		3	9.596	0.787	2.361	0.000	0.000			百葉平台
27		J852-LVA-AP2-27	1.5mm厚鋁板	MILL	1		1	2.313	0.569	0.569	0.000	0.000			百葉平台
28		J852-LVA-AP2-28	1.5mm厚鋁板	MILL	1		1	1.161	0.286	0.286	0.000	0.000			百葉平台
29		J852-LVA-AP2-29	1.5mm厚鋁板	MILL	1		1	1.161	0.286	0.286	0.000	0.000			百葉平台
30		J852-LVA-AP2-30	1.5mm厚鋁板	MILL	2		2	2.623	0.323	0.645	0.000	0.000			百葉平台
31		J852-LVA-AP2-31	1.5mm厚鋁板	MILL	2		2	2.584	0.318	0.636	0.000	0.000			百葉平台
31		J852-LVA-AP2-32	1.5mm厚鋁板	MILL	1		1	1.353	0.333	0.333	0.000	0.000			百葉平台
32		J852-LVA-AP2-33	1.5mm厚鋁板	MILL	1		1	1.353	0.333	0.333	0.000	0.000			百葉平台

Handwritten signature/initials in blue ink.

總計: 358 388.55 95.58 0.00



美特鋁質 有限公司  
MIDI Aluminium Fabricator Ltd.

工程號 J852 地盤 亞皆老街

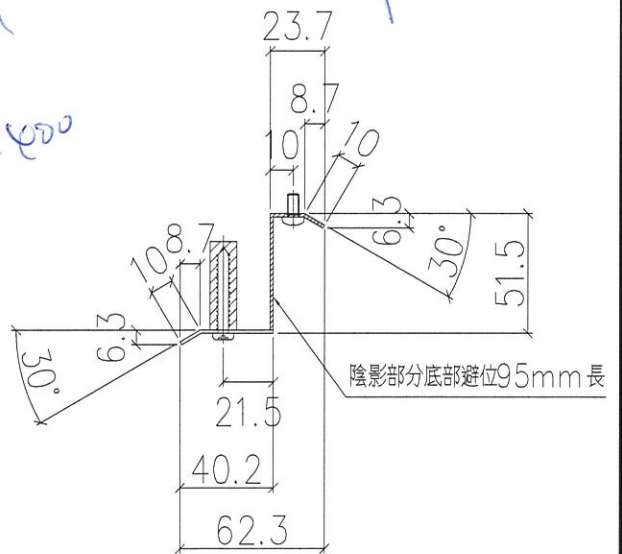
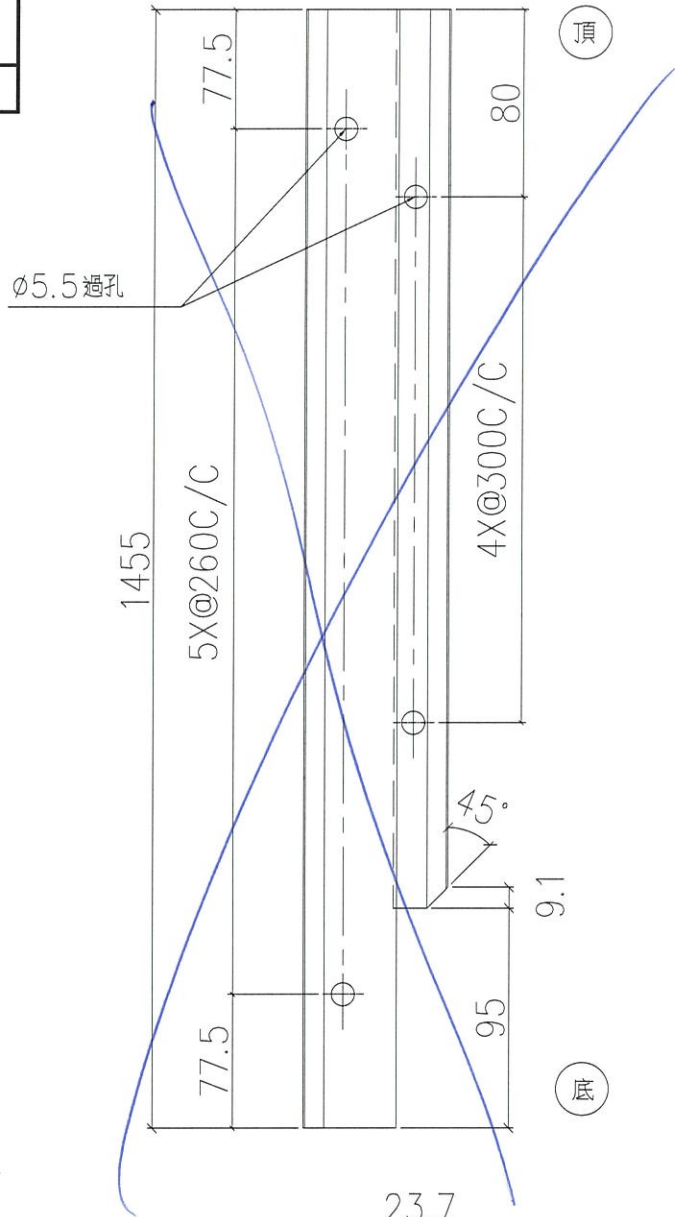
地盤用

備用

8/14

L=2400

8/14



序號	物料編號	數量
01	LVA-AP2-01	43

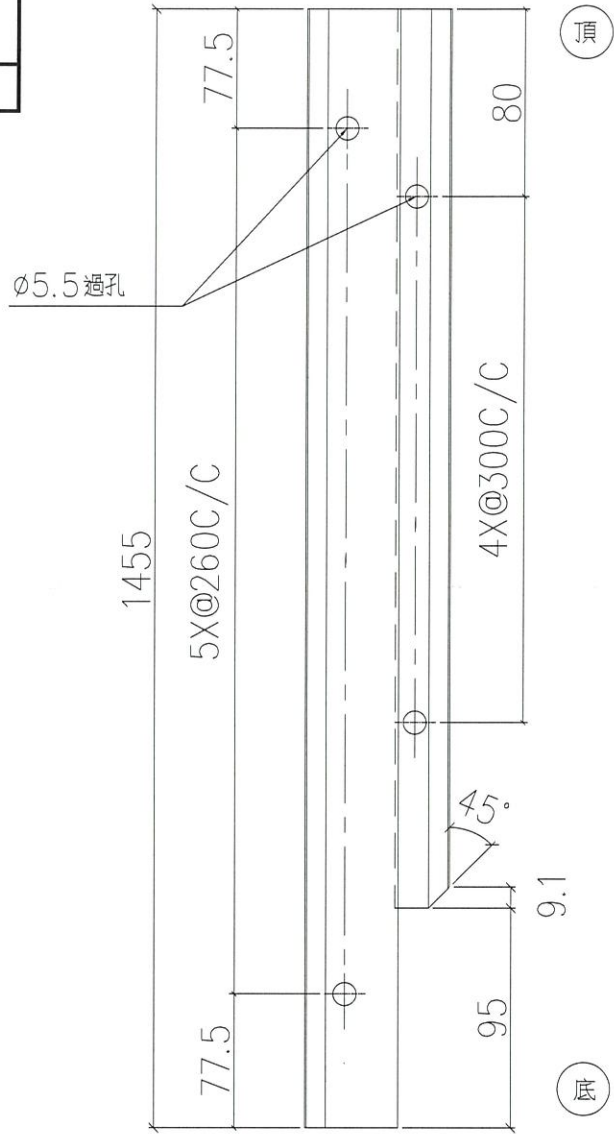
名稱	防水片拆圖	制圖	Ivan	2020.11.20	修改		
材料	1.5mm 鋁板	復核	-	-	日期		
顏色	鍍化片	批准			圖號	J852-LVA-AP2-01	8/14



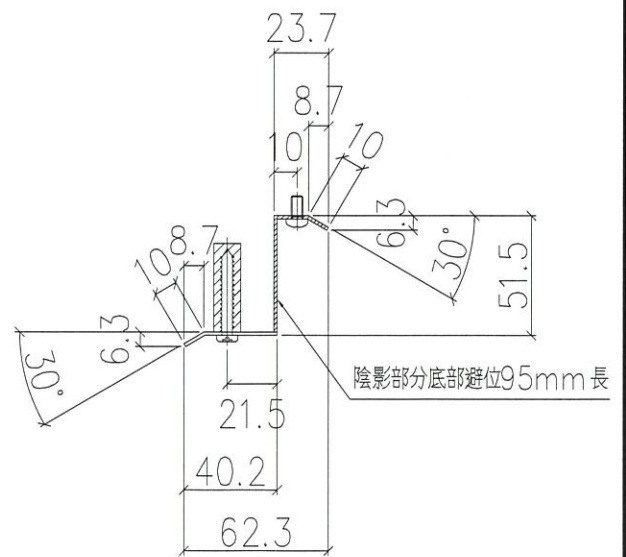


美特鋁質 有限公司  
MIDI Aluminium Fabricator Ltd.

工程號 J852 地盤 亞皆老街



共計 10 件



序號	物料編號	數量
01	LVA-AP2-01	43

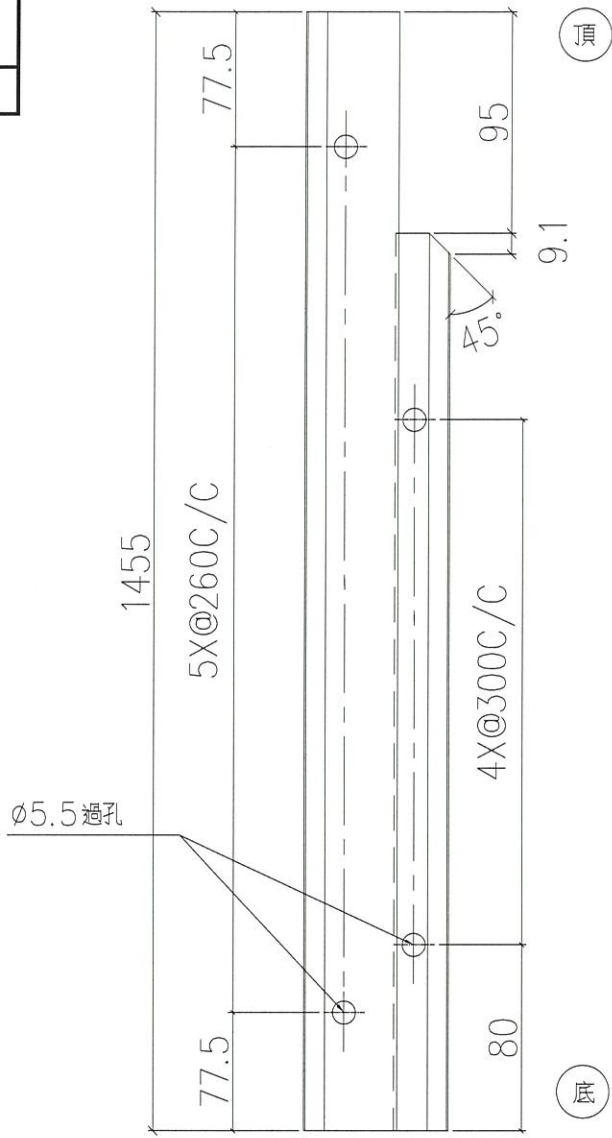
名稱	防水片拆圖	制圖	lvan	2020.11.20	修改			
材料	1.5mm 鋁板	復核	-	-	日期			
顏色	鉻化片	批准			圖號	J852-LVA-AP2-01		



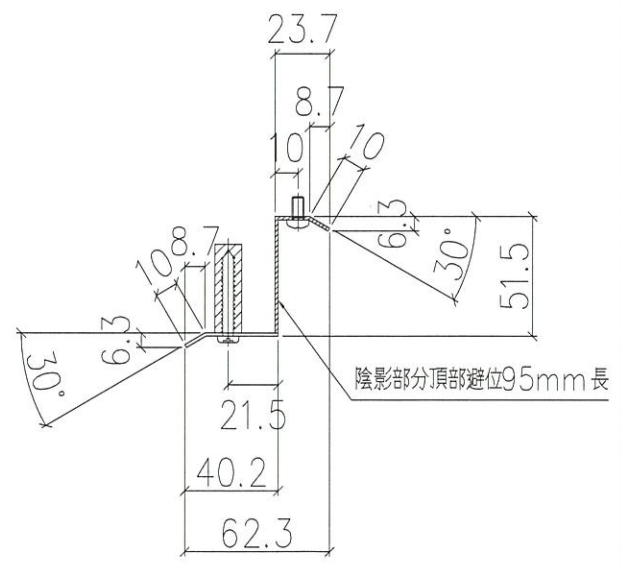
美特鋁質 有限公司  
MIDI Aluminium Fabricator Ltd.

工程號 J852 地盤 亞皆老街

地盤用



手山10/11/14



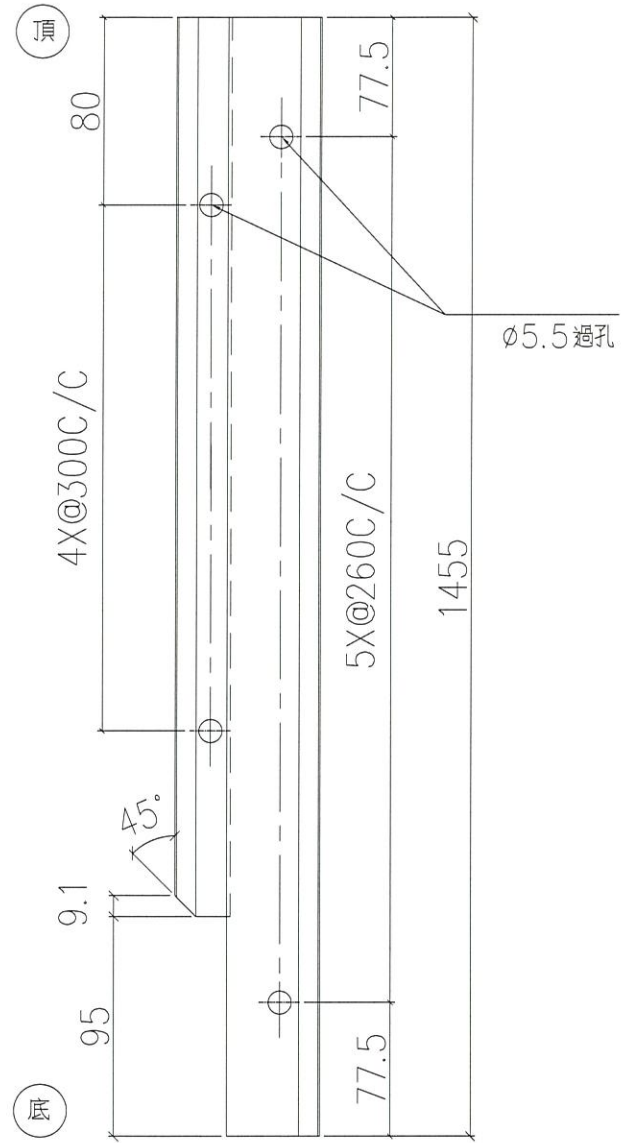
序號	物料編號	數量
01	LVA-AP2-02	30

名稱	防水片拆圖	制圖	Ivan	2020.11.13	修改		
材料	1.5mm 鋁板	復核	-	-	日期		
顏色	鉻化片	批准			圖號	J852-LVA-AP2-02	

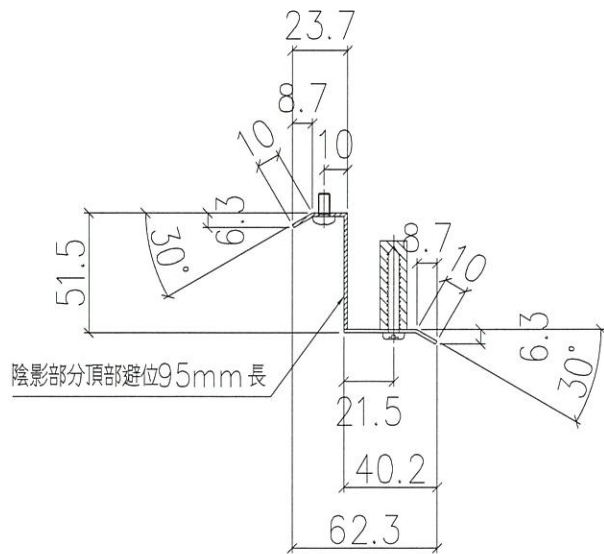


美特鋁質 有限公司  
MIDI Aluminium Fabricator Ltd.

工程號 J852 地盤 亞皆老街



1/24 10/14



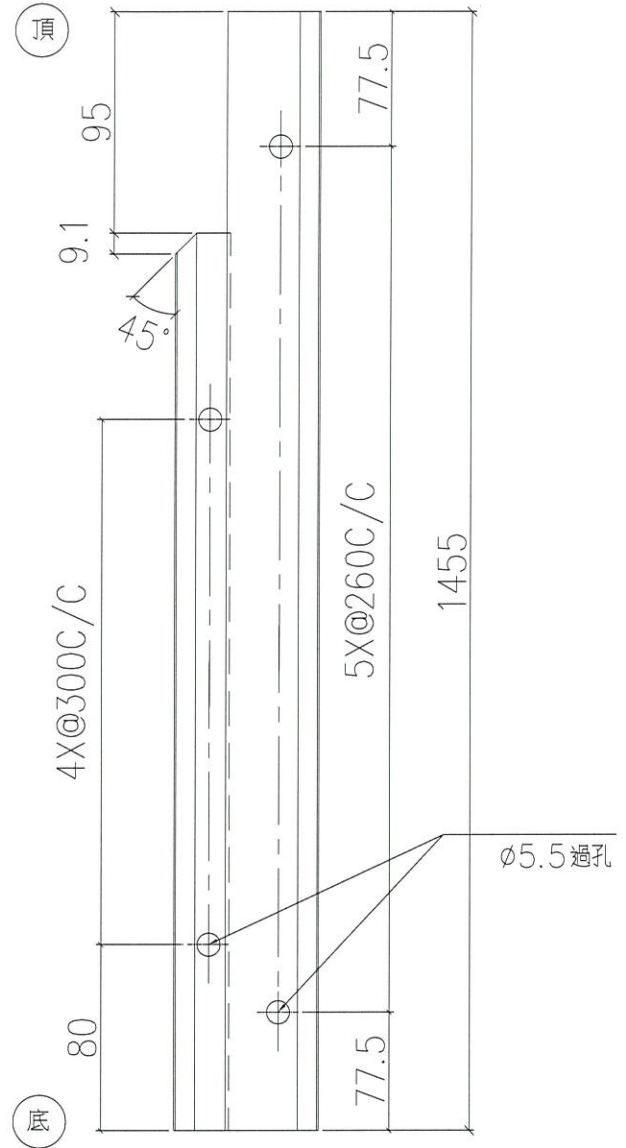
序號	物料編號	數量
01	LVA-AP2-03	39

名稱	防水片拆圖	制圖	Ivan	2020.11.13	修改		
材料	1.5mm 鋁板	復核	-	-	日期		
顏色	<b>鉻化片</b>	批准			圖號	J852-LVA-AP2-03	

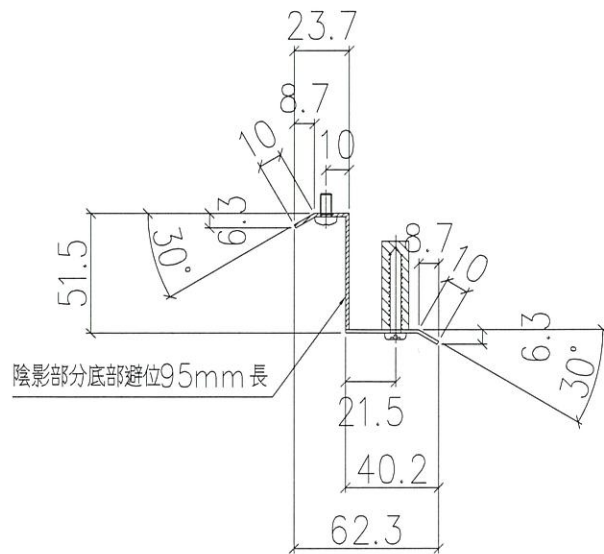


美特鋁質 有限公司  
MIDI Aluminium Fabricator Ltd.

工程號 J852 地盤 亞皆老街



*先士 10/14*



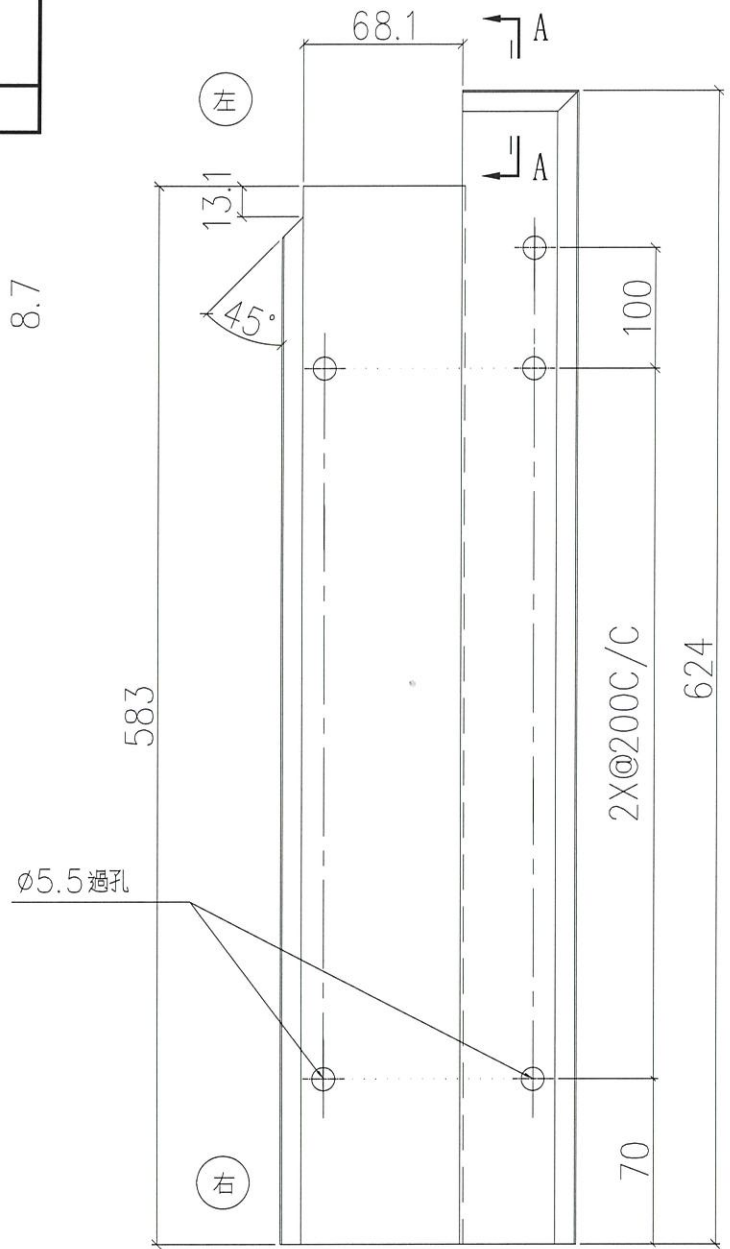
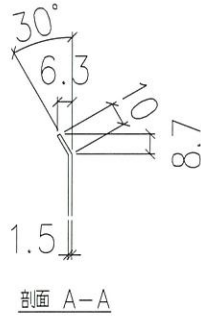
序號	物料編號	數量
01	LVA-AP2-04	26

名稱	防水片拆圖	制圖	lvan	2020.11.20	修改			
材料	1.5mm 鋁板	復核	-	-	日期			
顏色	<b>鉻化片</b>	批准			圖號	J852-LVA-AP2-04		

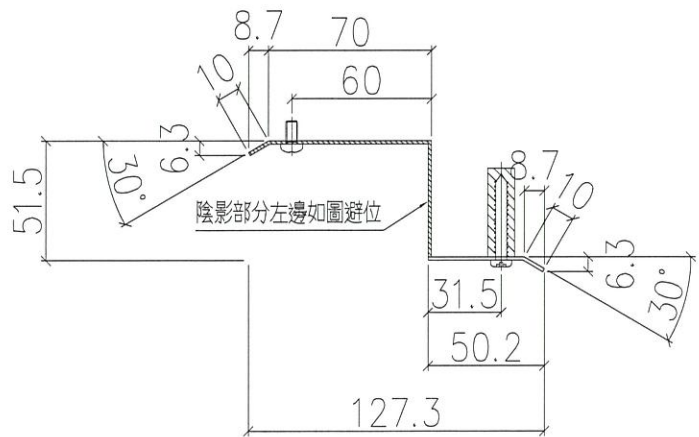


美特鋁質 有限公司  
MIDI Aluminium Fabricator Ltd.

工程號 J852 地盤 亞皆老街



694



序號	物料編號	數量
01	LVA-AP2-05	21

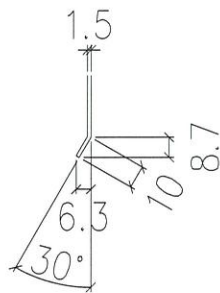
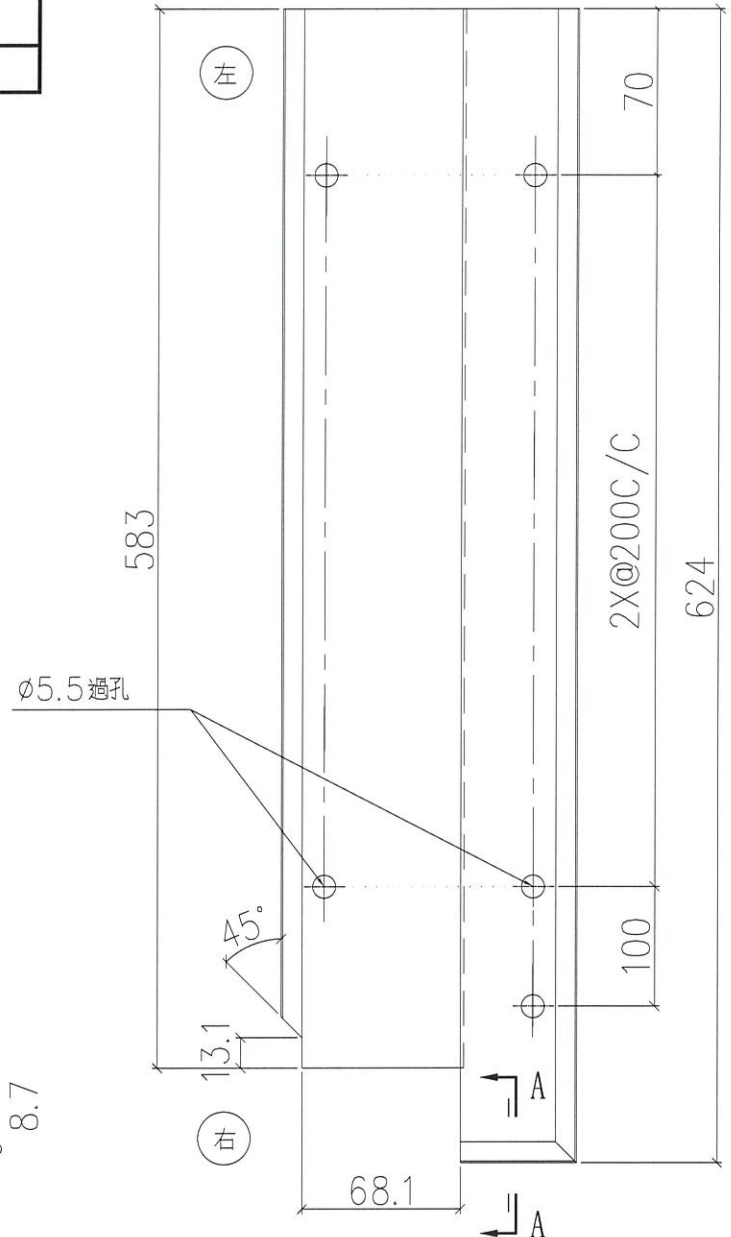
名稱	防水片拆圖	制圖	Ivan	2020.11.20	修改		
材料	1.5mm 鋁板	復核	-	-	日期		
顏色	鉻化片	批准			圖號	J852-LVA-AP2-05	



美特鋁質 有限公司  
MIDI Aluminium Fabricator Ltd.

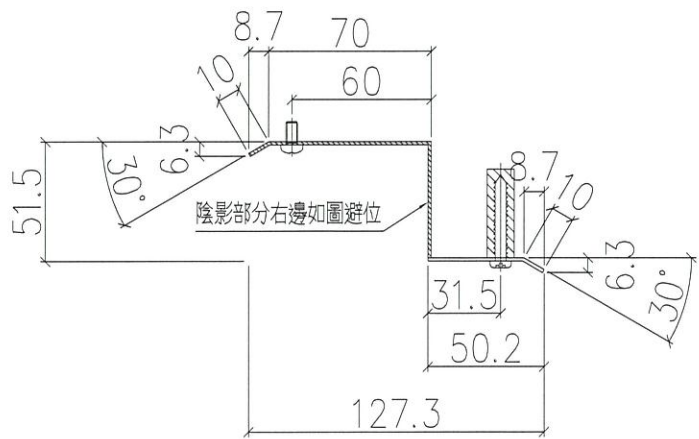
工程號 J852 地盤 亞皆老街

地盤用



剖面 A-A

先出64x



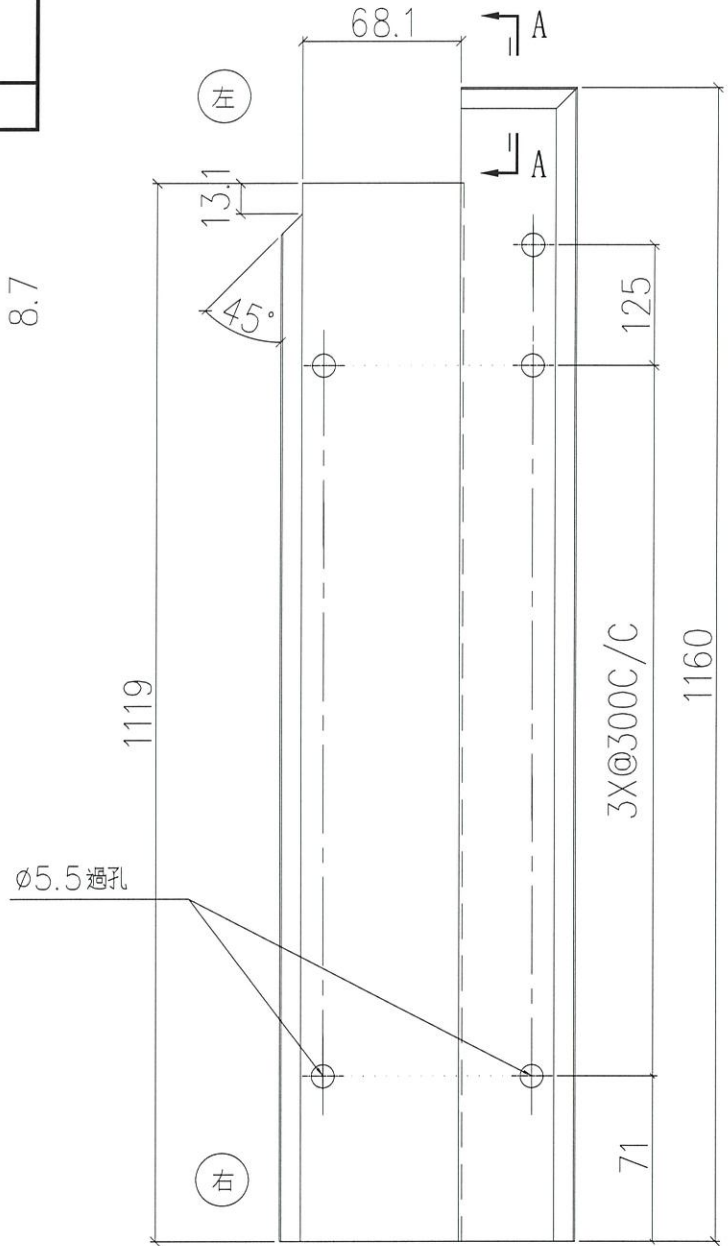
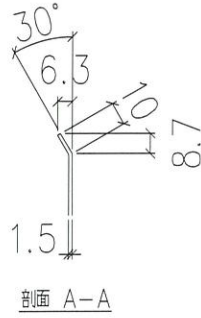
序號	物料編號	數量
01	LVA-AP2-06	20

名稱	防水片拆圖	制圖	lvn	2020.11.20	修改			
材料	1.5mm 鋁板	復核	-	-	日期			
顏色	鉻化片	批准			圖號	J852-LVA-AP2-06		

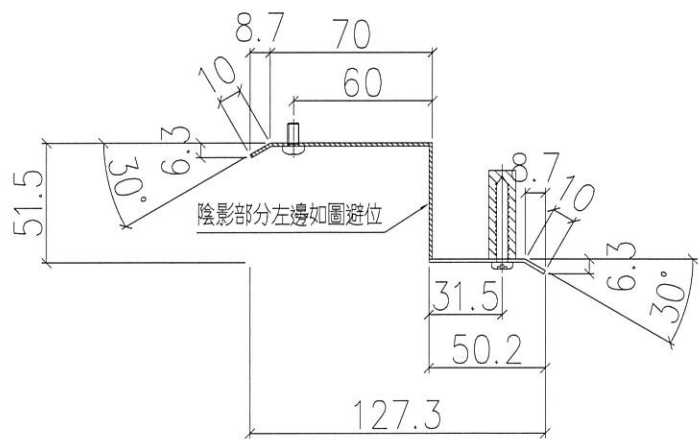


美特鋁質 有限公司  
MIDI Aluminium Fabricator Ltd.

工程號 J852 地盤 亞皆老街



Handwritten note: 4/14



序號	物料編號	數量
01	LVA-AP2-07	10

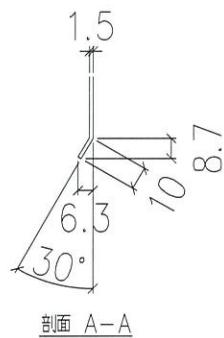
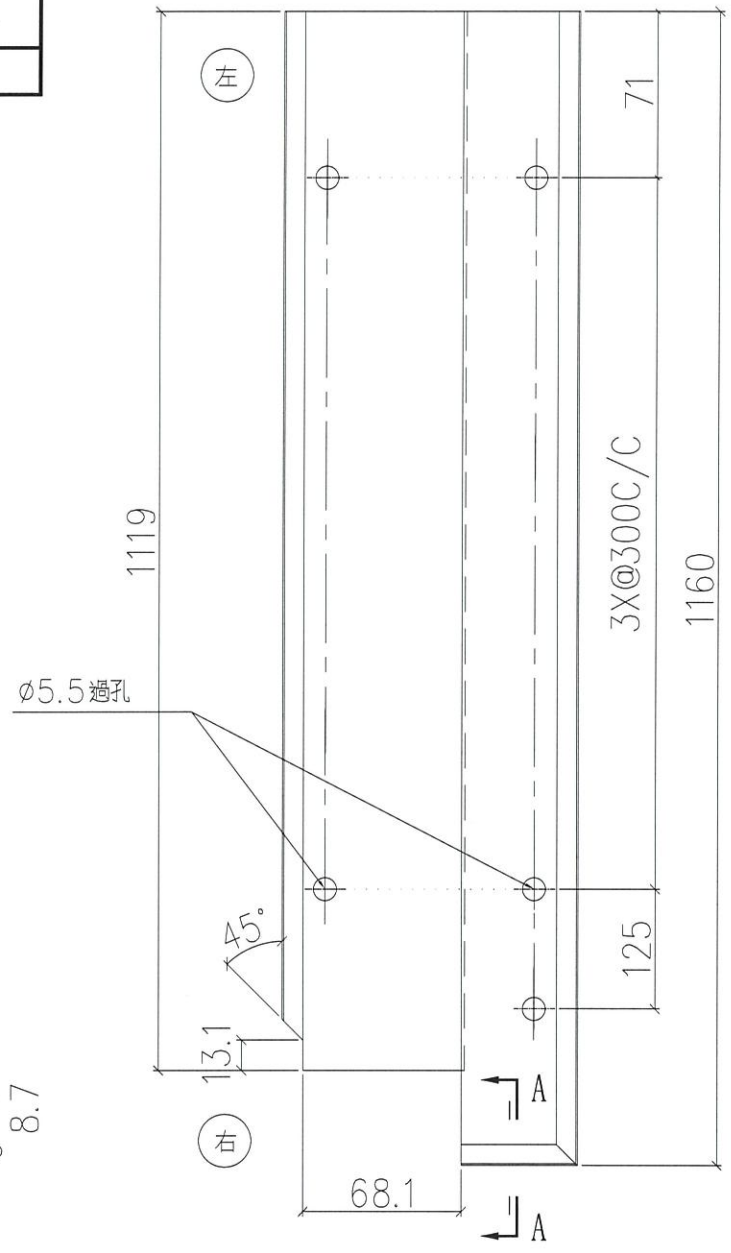
名稱	防水片拆圖	制圖	lvan	2020.11.20	修改			
材料	1.5mm 鋁板	復核	-	-	日期			
顏色	<b>鉻化片</b>	批准			圖號	J852-LVA-AP2-07		



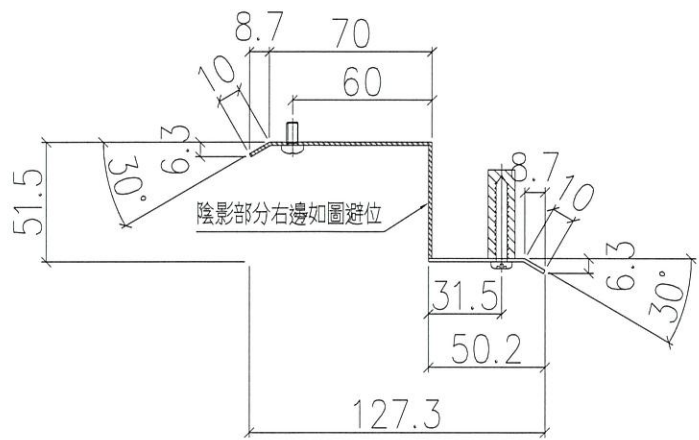
美特鋁質 有限公司  
MIDI Aluminium Fabricator Ltd.

工程號 J852 地盤 亞皆老街

地盤用



*Handwritten note:* 4x 4x4



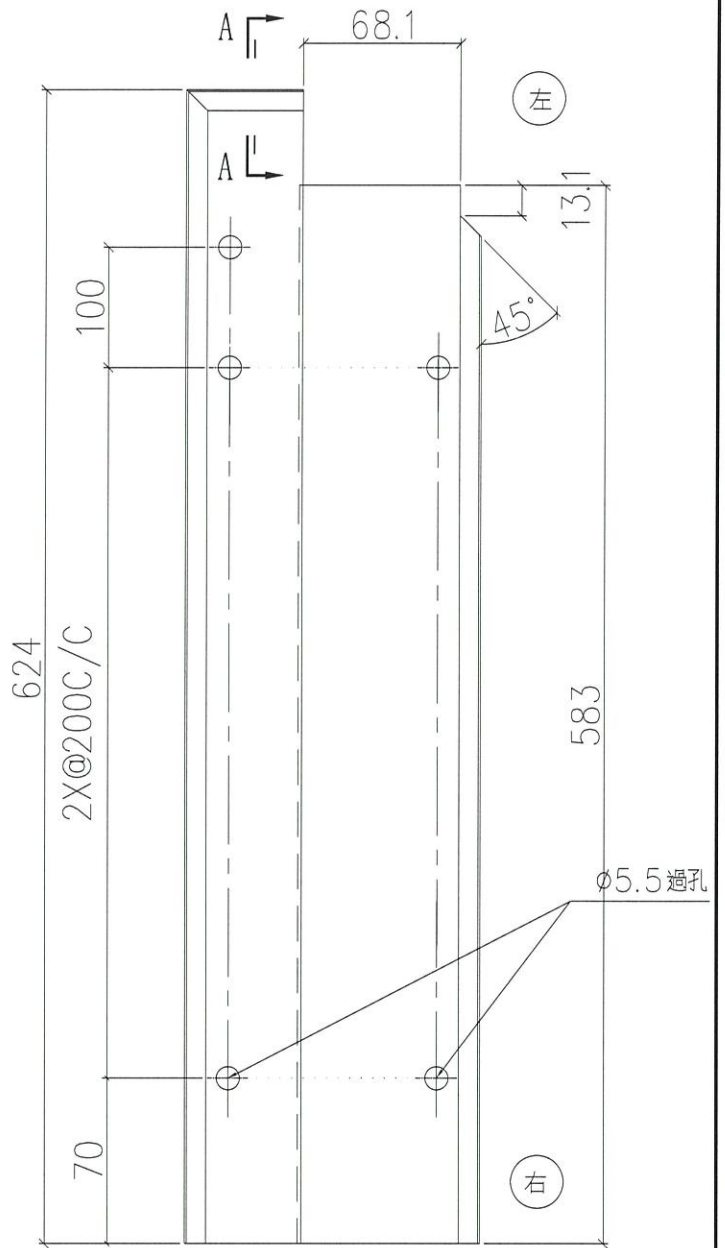
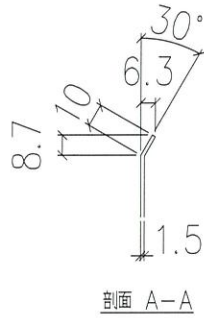
序號	物料編號	數量
01	LVA-AP2-08	10

名稱	防水片拆圖	制圖	Ivan	2020.11.20	修改		
材料	1.5mm 鋁板	復核	-	-	日期		
顏色	<b>鉻化片</b>	批准			圖號	J852-LVA-AP2-08	

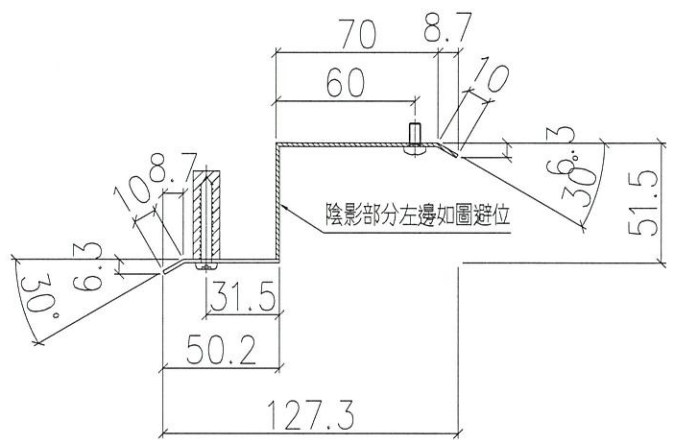


美特鋁質 有限公司  
MIDI Aluminium Fabricator Ltd.

工程號 J852 地盤 亞皆老街



地盤



序號	物料編號	數量
01	LVA-AP2-09	26

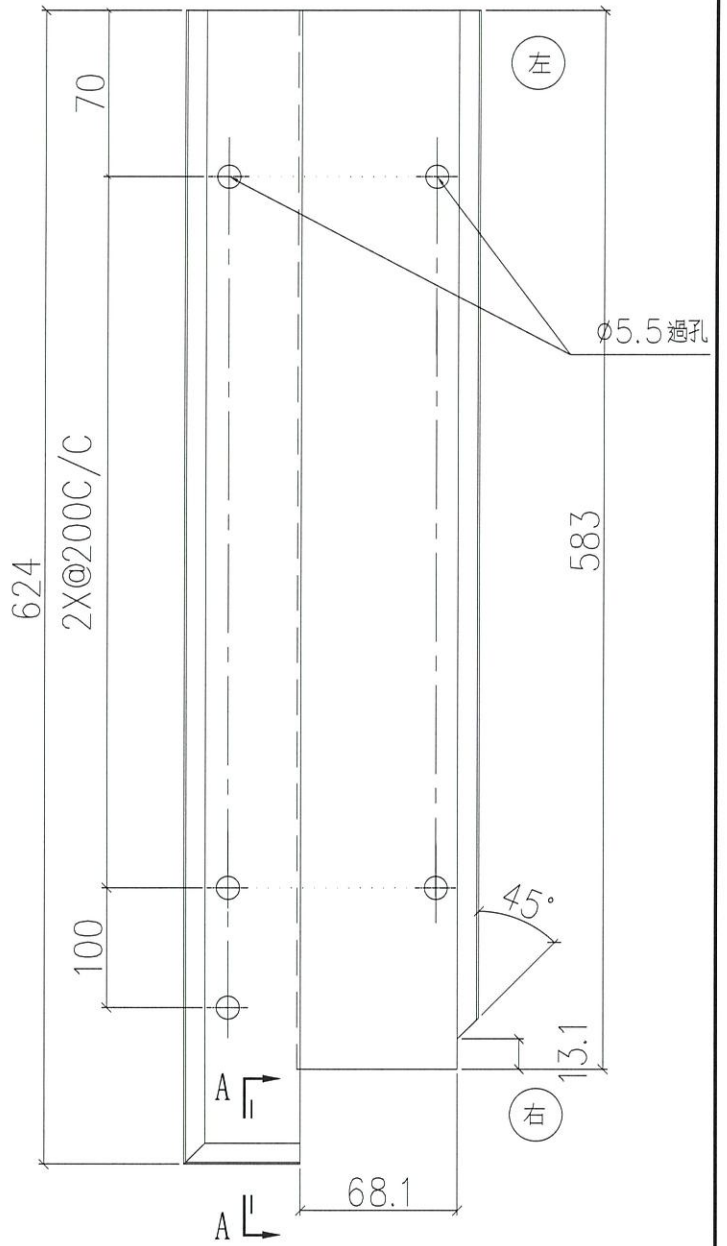
名稱	防水片拆圖	制圖	ivan	2020.11.20	修改			
材料	1.5mm 鋁板	復核	-	-	日期			
顏色	鉻化片	批准			圖號	J852-LVA-AP2-09		



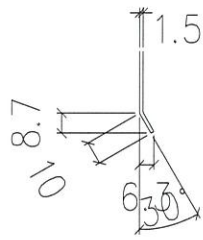
美特鋁質 有限公司  
MIDI Aluminium Fabricator Ltd.

工程號 J852 地盤 亞皆老街

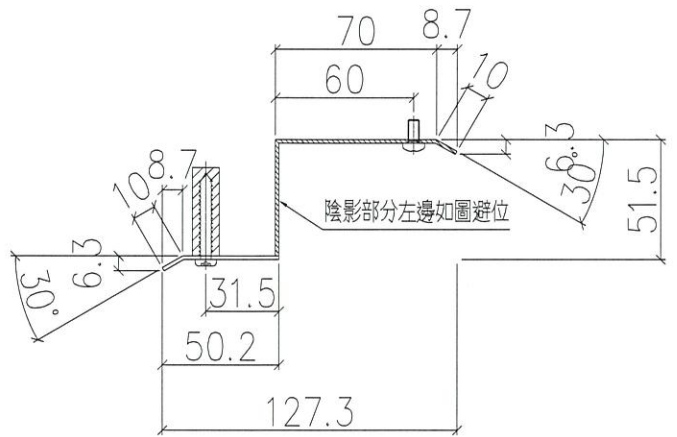
地盤用



剖面 A-A



先做 6片



序號	物料編號	數量
01	LVA-AP2-10	26

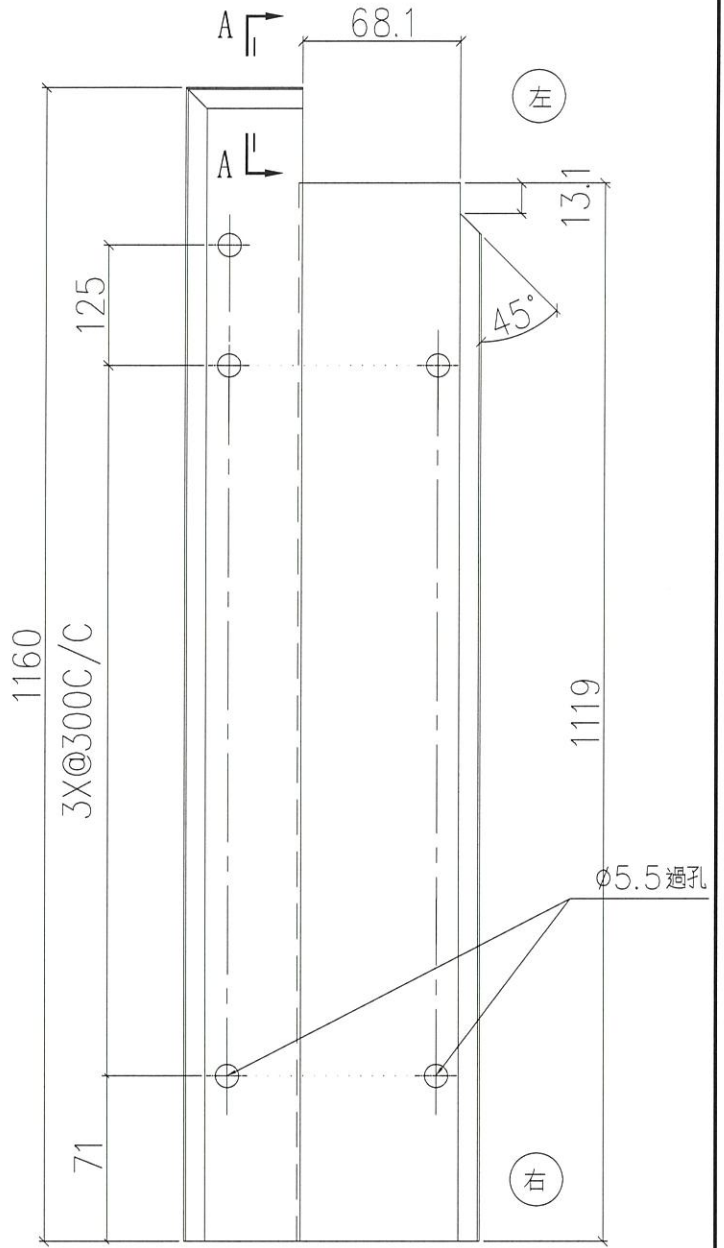
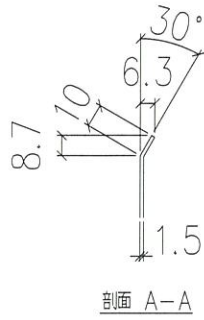
名稱	防水片拆圖	制圖	Ivan	2020.11.20	修改			
材料	1.5mm 鋁板	復核	-	-	日期			
顏色	鍍化片	批准			圖號	J852-LVA-AP2-10		



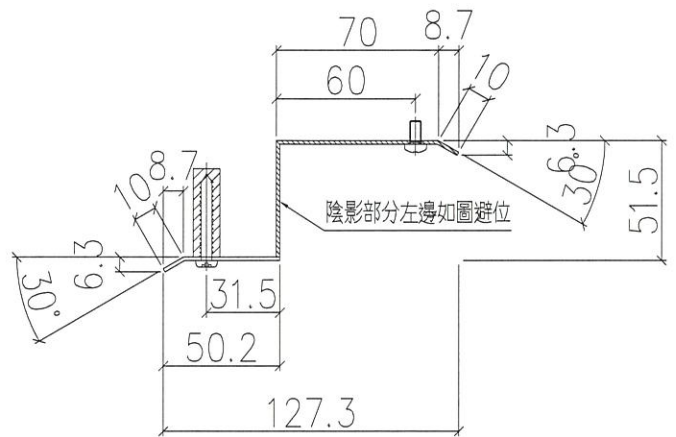
美特鋁質 有限公司  
MIDI Aluminium Fabricator Ltd.

工程號 J852 地盤 亞皆老街

地盤用



總共 459



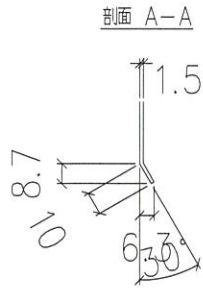
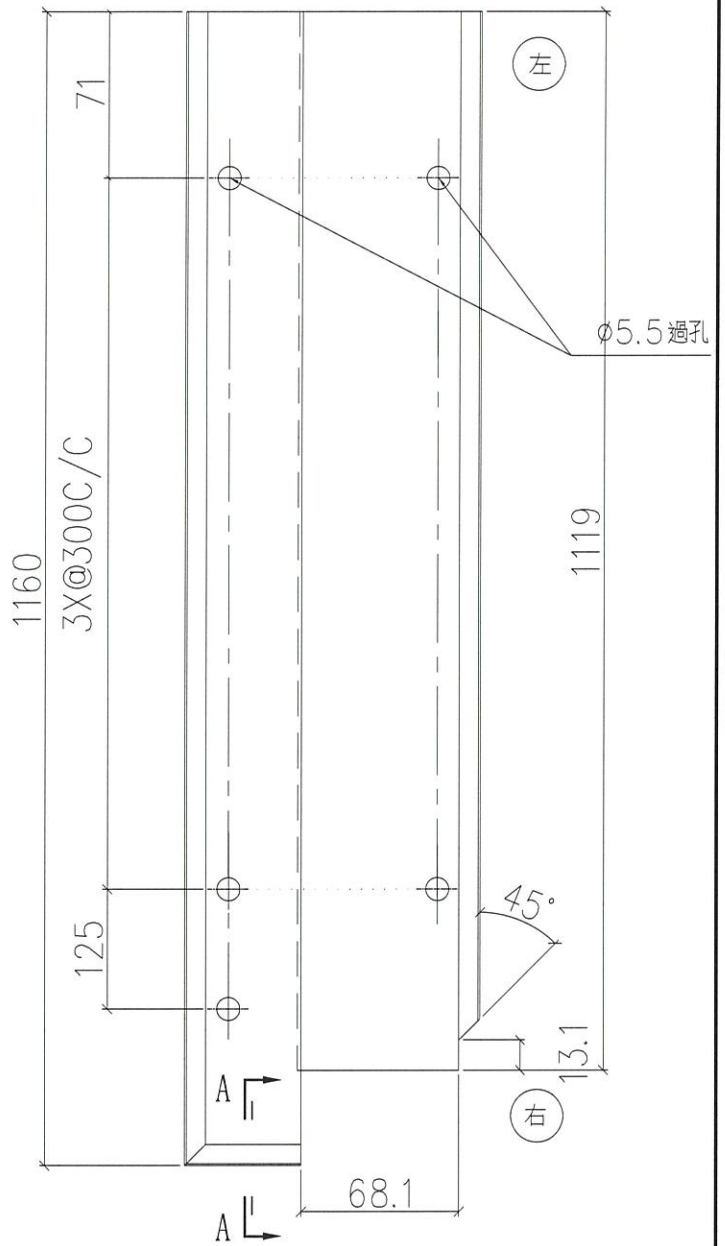
序號	物料編號	數量
01	LVA-AP2-11	13

名稱	防水片拆圖	制圖	Ivan	2020.11.20	修改			
材料	1.5mm 鋁板	復核	-	-	日期			
顏色	鉻化片	批准			圖號	J852-LVA-AP2-11		

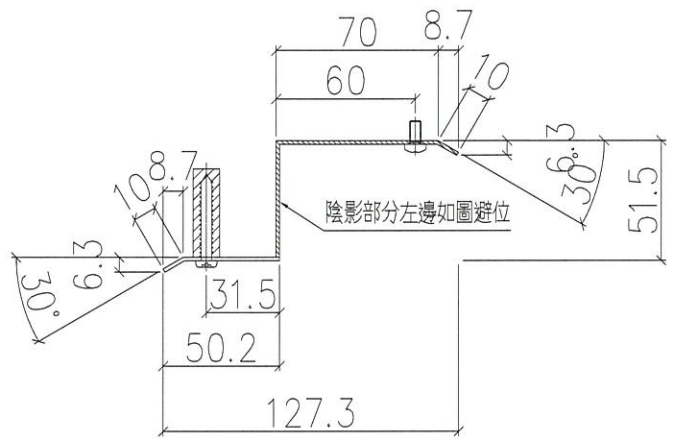


美特鋁質 有限公司  
MIDI Aluminium Fabricator Ltd.

工程號 J852 地盤 亞皆老街



共計4件



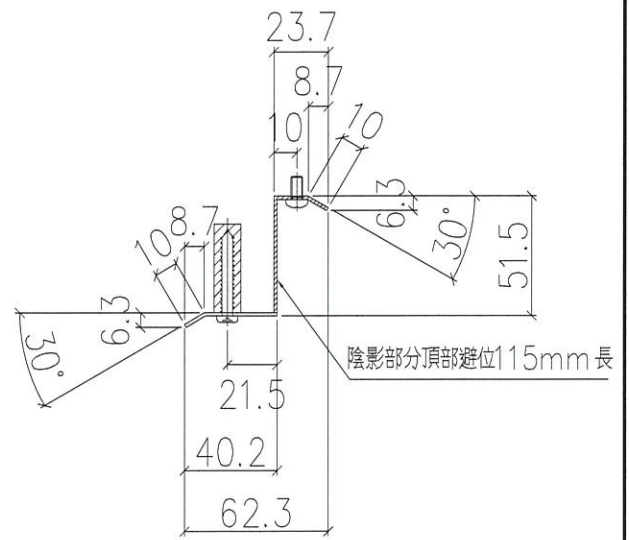
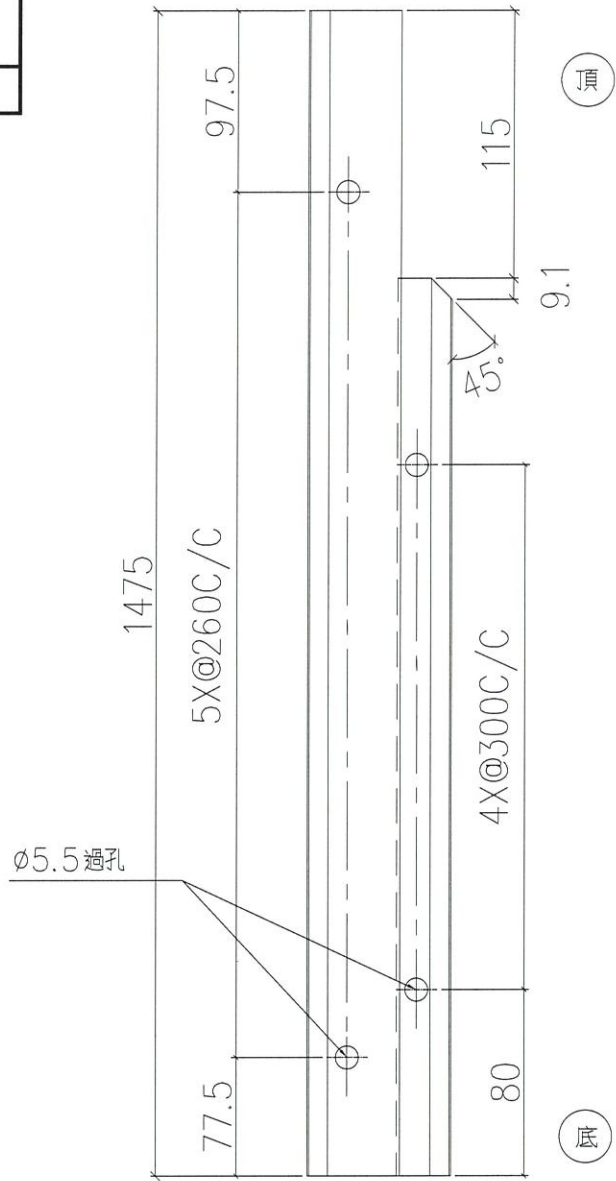
序號	物料編號	數量
01	LVA-AP2-12	13

名稱	防水片拆圖	制圖	Ivan	2020.11.20	修改		
材料	1.5mm 鋁板	復核	-	-	日期		
顏色	鉻化片	批准			圖號	J852-LVA-AP2-12	



美特鋁質 有限公司  
MIDI Aluminium Fabricator Ltd.

工程號 J852 地盤 亞皆老街



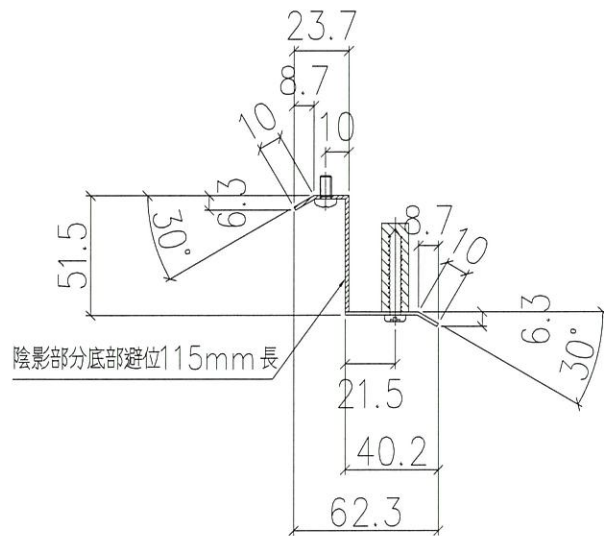
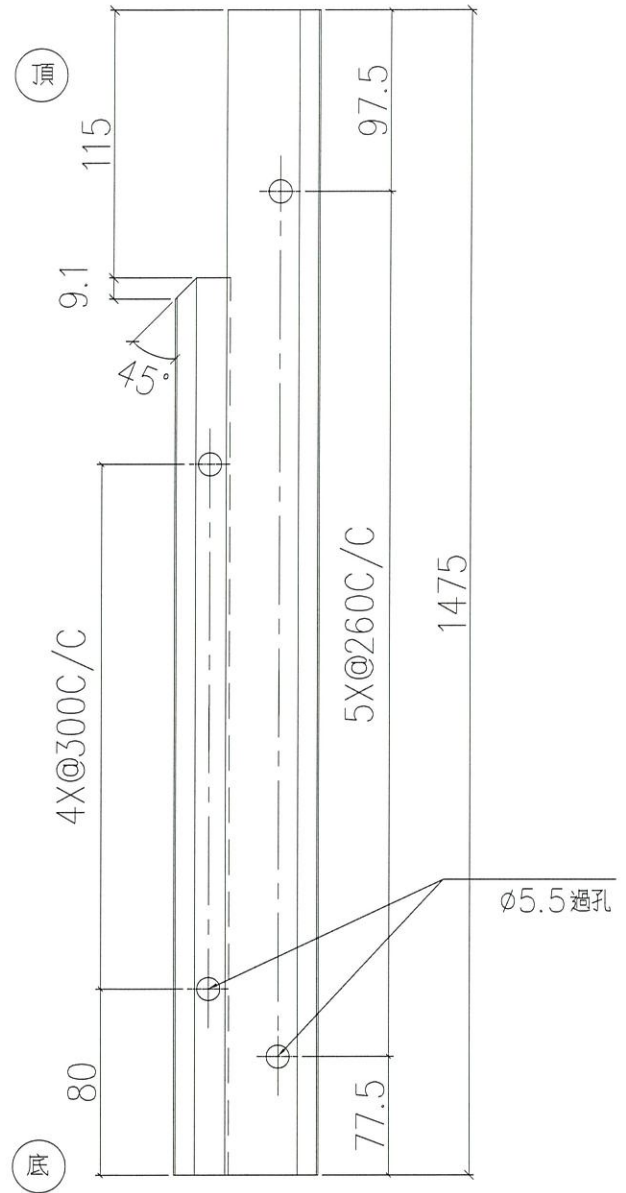
序號	物料編號	數量
01	LVA-AP2-13	9

名稱	防水片拆圖	制圖	Ivan	2020.11.13	修改			
材料	1.5mm 鋁板	復核	-	-	日期			
顏色	<b>鉻化片</b>	批准			圖號	J852-LVA-AP2-13		



美特鋁質 有限公司  
MIDI Aluminium Fabricator Ltd.

工程號 J852 地盤 亞皆老街



序號	物料編號	數量
01	LVA-AP2-14	9

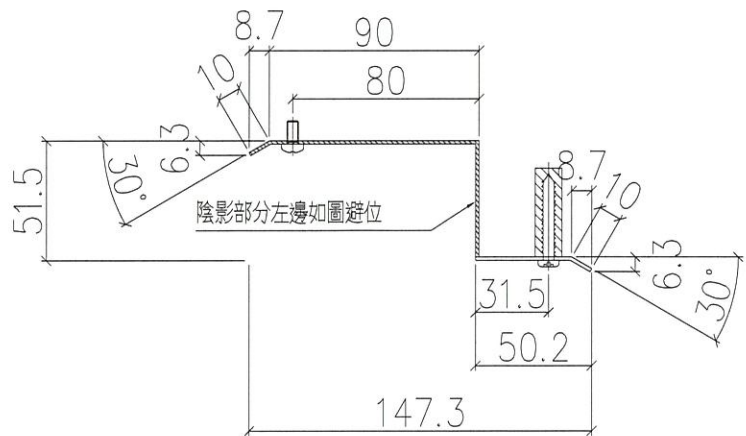
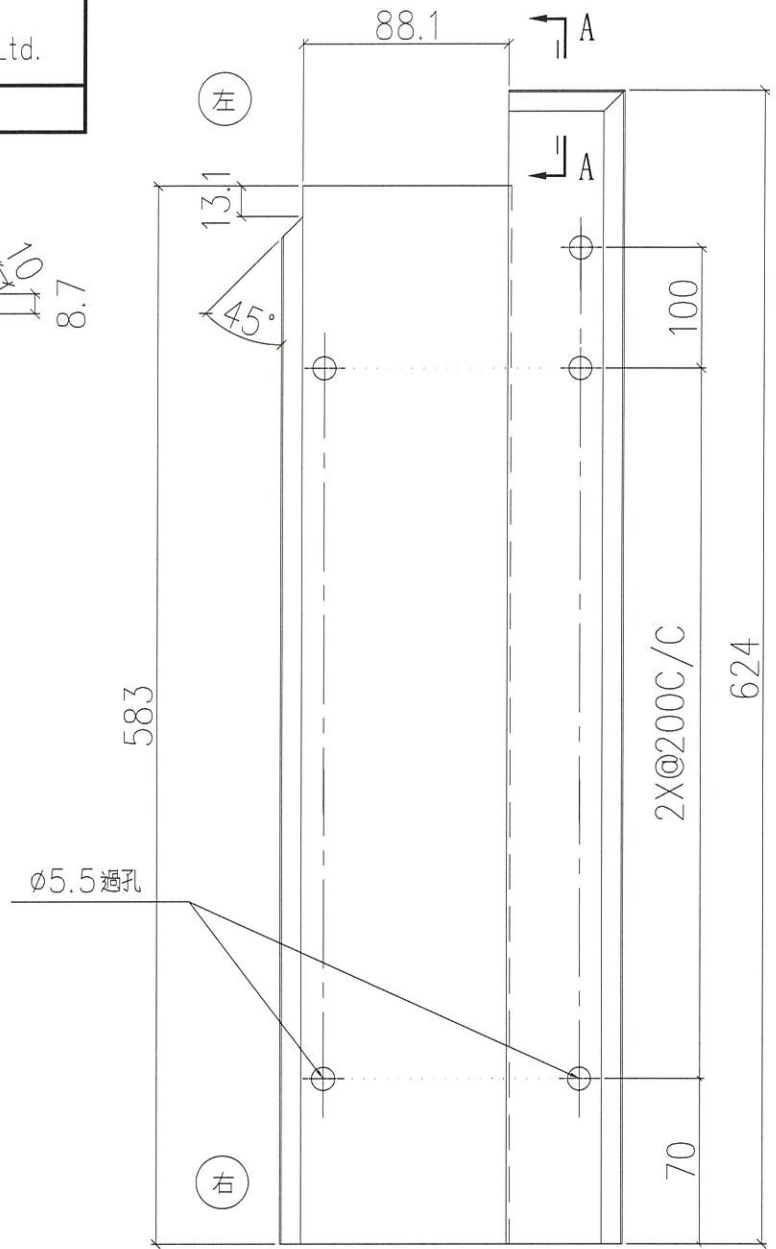
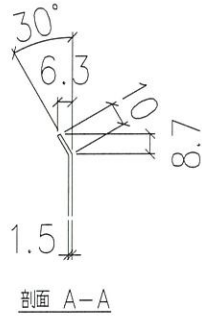
名稱	防水片拆圖	制圖	Ivan	2020.11.20	修改		
材料	1.5mm 鋁板	復核	-	-	日期		
顏色	鉻化片	批准			圖號	J852-LVA-AP2-14	



美特鋁質 有限公司  
MIDI Aluminium Fabricator Ltd.

工程號 J852 地盤 亞皆老街

地盤用



序號	物料編號	數量
01	LVA-AP2-15	6

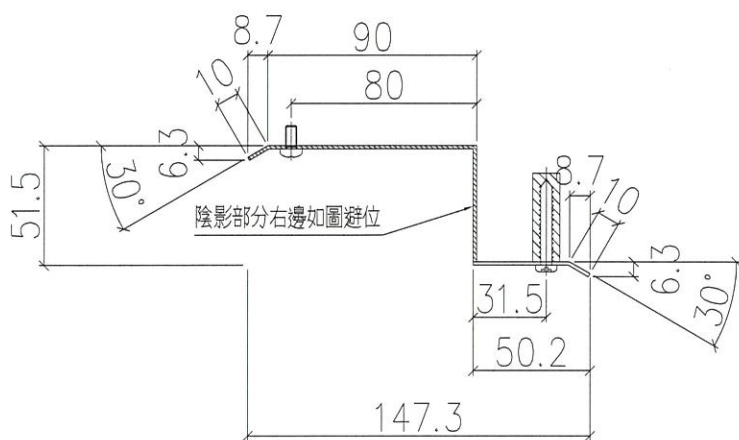
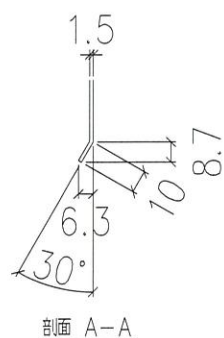
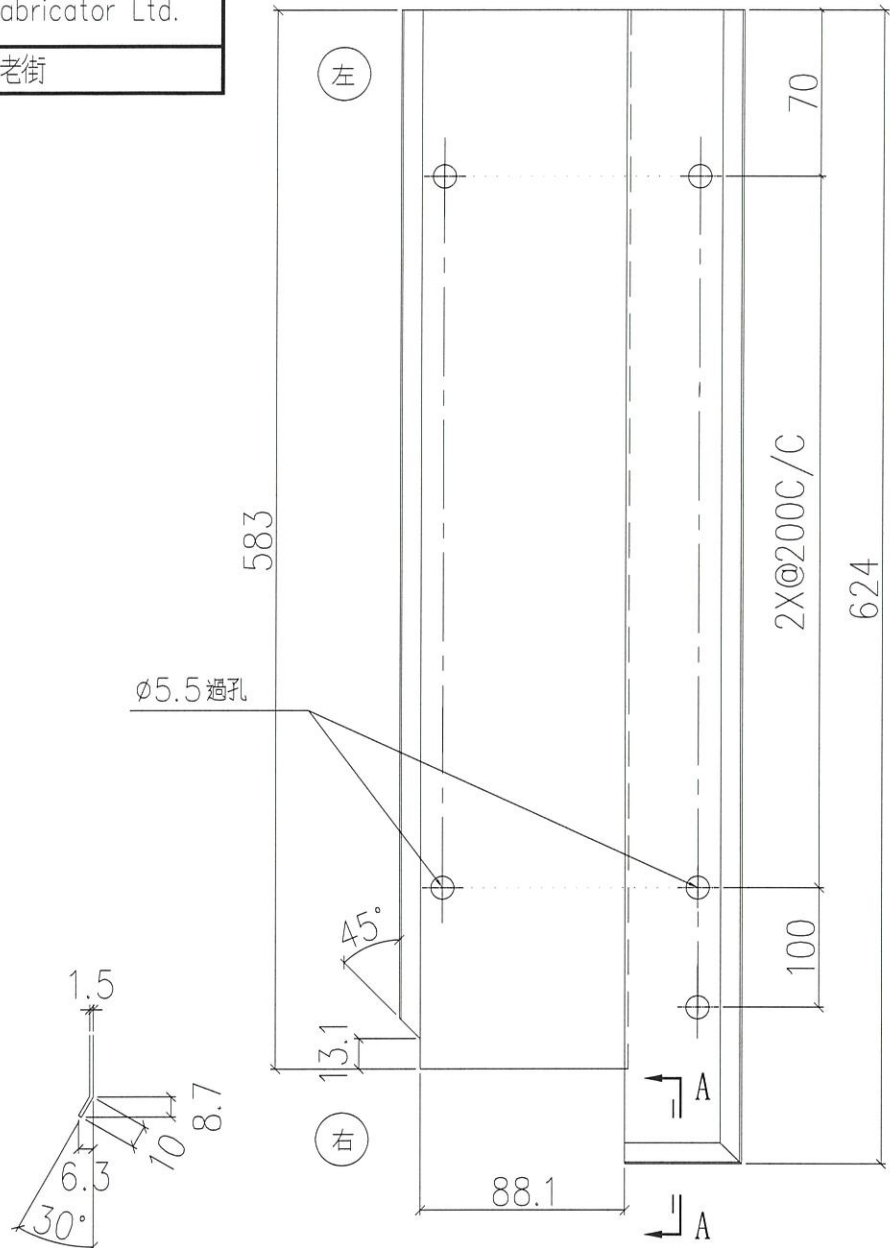
名稱	防水片拆圖	制圖	Ivan	2020.11.20	修改			
材料	1.5mm 鋁板	復核	-	-	日期			
顏色	鉻化片	批准			圖號	J852-LVA-AP2-15		



美特鋁質 有限公司  
MIDI Aluminium Fabricator Ltd.

工程號 J852 地盤 亞皆老街

地盤用



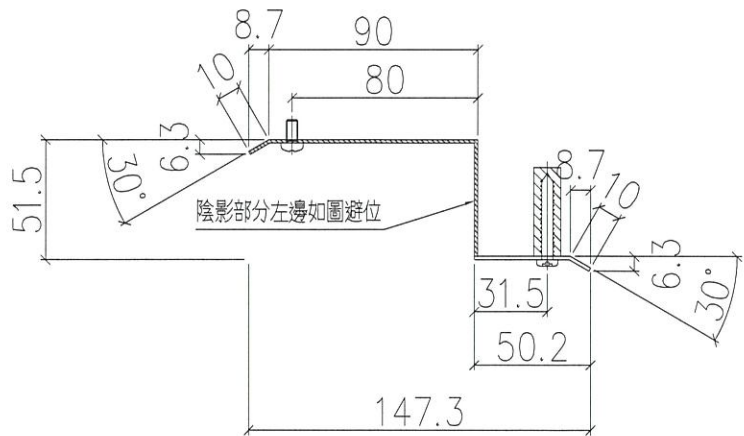
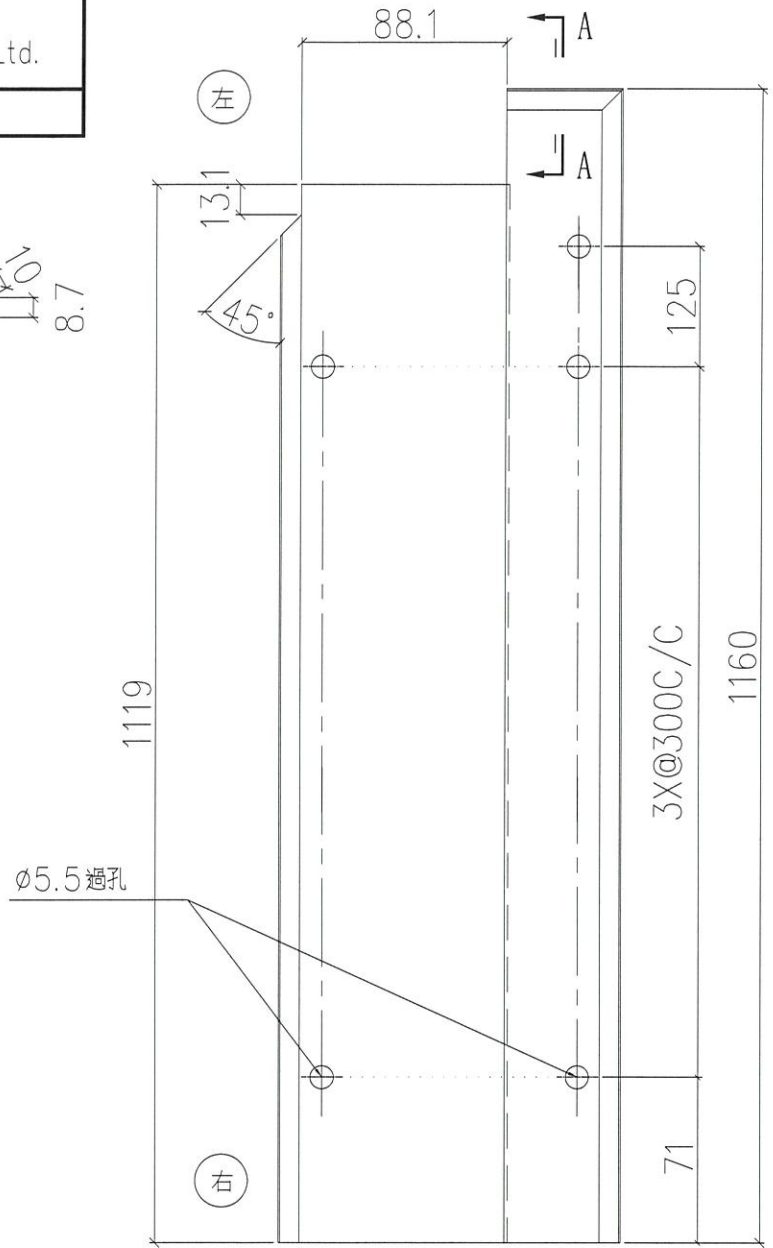
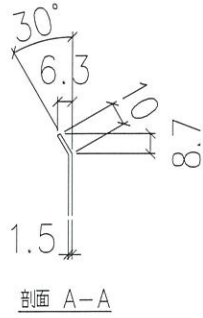
序號	物料編號	數量
01	LVA-AP2-16	6

名稱	防水片拆圖	制圖	lvan	2020.11.20	修改			
材料	1.5mm 鋁板	復核	-	-	日期			
顏色	鉻化片	批准			圖號	J852-LVA-AP2-16		



美特鋁質 有限公司  
MIDI Aluminium Fabricator Ltd.

工程號 J852 地盤 亞皆老街



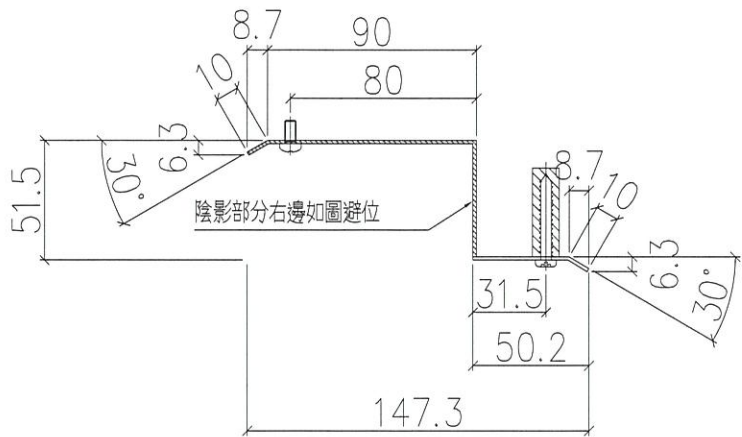
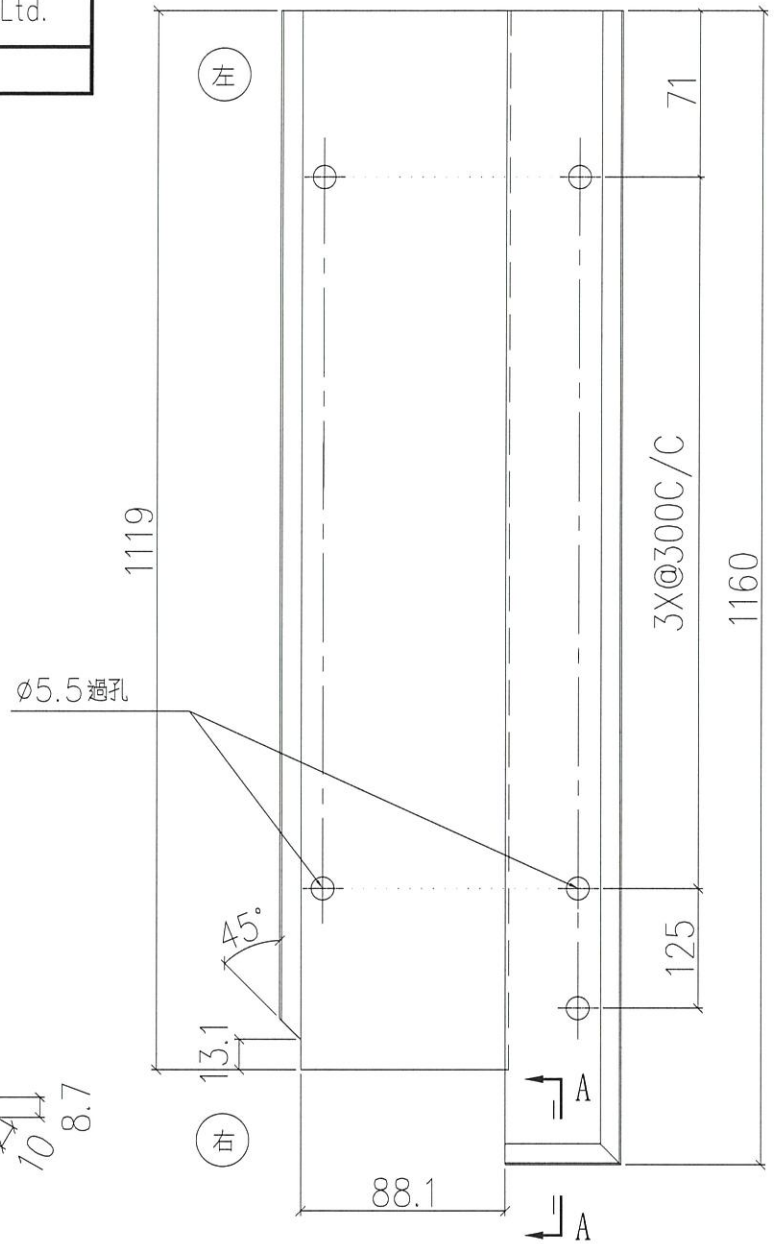
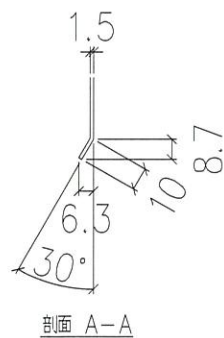
序號	物料編號	數量
01	LVA-AP2-17	3

名稱	防水片拆圖	制圖	Ivan	2020.11.20	修改			
材料	1.5mm 鋁板	復核	-	-	日期			
顏色	<b>鉻化片</b>	批准			圖號	J852-LVA-AP2-17		



美特鋁質 有限公司  
MIDI Aluminium Fabricator Ltd.

工程號 J852 地盤 亞皆老街



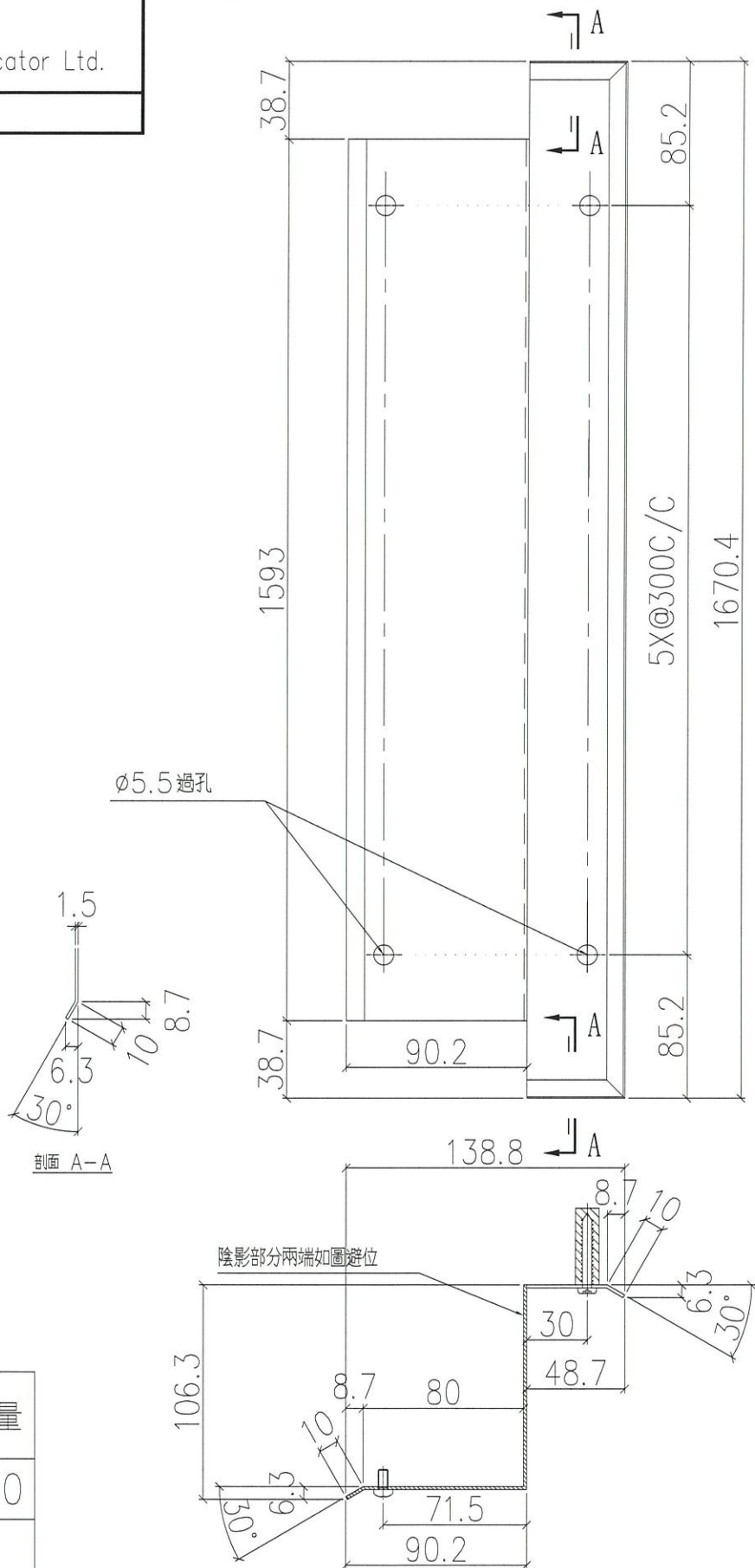
序號	物料編號	數量
01	LVA-AP2-18	3

名稱	防水片拆圖	制圖	Ivan	2020.11.20	修改			
材料	1.5mm 鋁板	復核	-	-	日期			
顏色	<b>鍍化片</b>	批准			圖號	J852-LVA-AP2-18		



美特鋁質 有限公司  
MIDI Aluminium Fabricator Ltd.

工程號 J852 地盤 亞皆老街



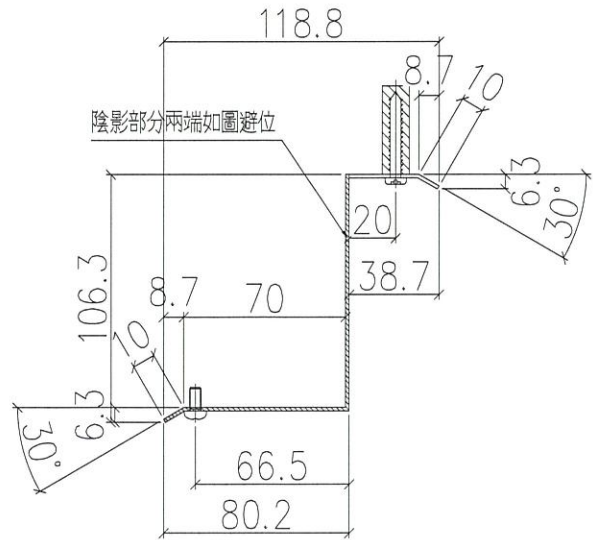
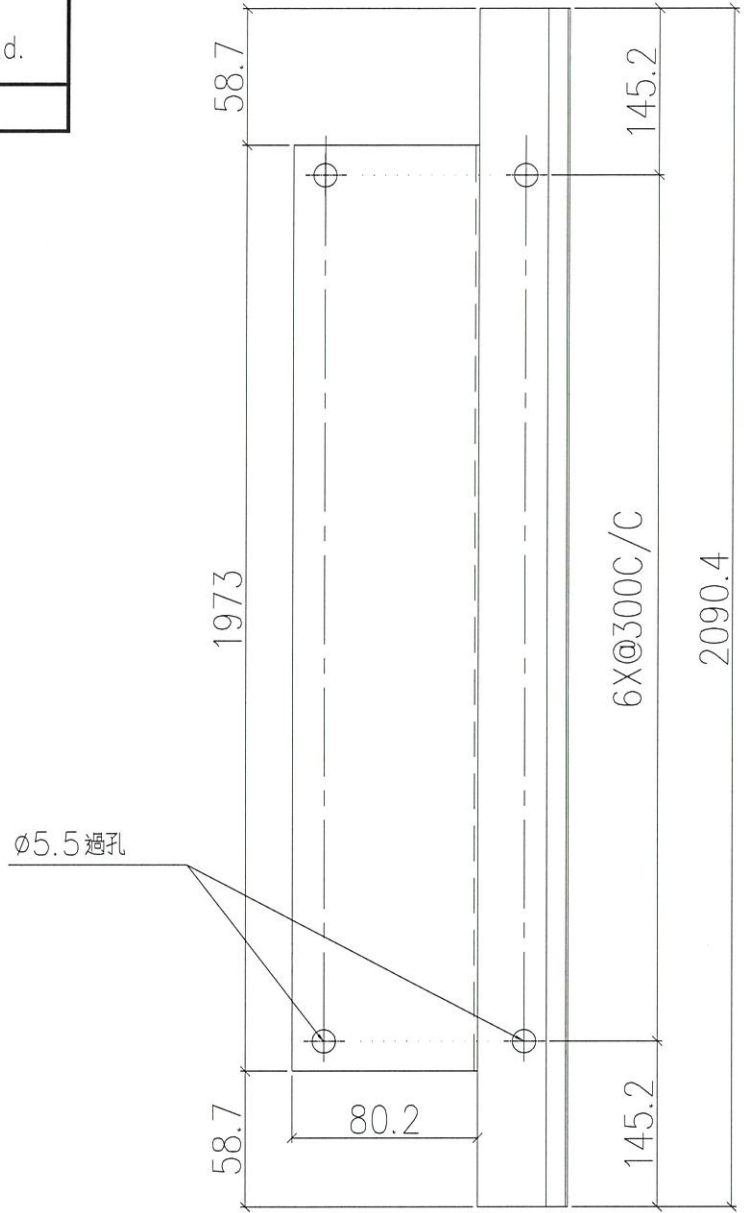
序號	物料編號	數量
01	LVA-AP2-19	10

名稱	防水片拆圖	制圖	Ivan	2020.11.20	修改			
材料	1.5mm 鋁板	復核	-	-	日期			
顏色	鉻化片	批准			圖號	J852-LVA-AP2-19		



美特鋁質 有限公司  
MIDI Aluminium Fabricator Ltd.

工程號 J852 地盤 亞皆老街



序號	物料編號	數量
01	LVA-AP2-20	6

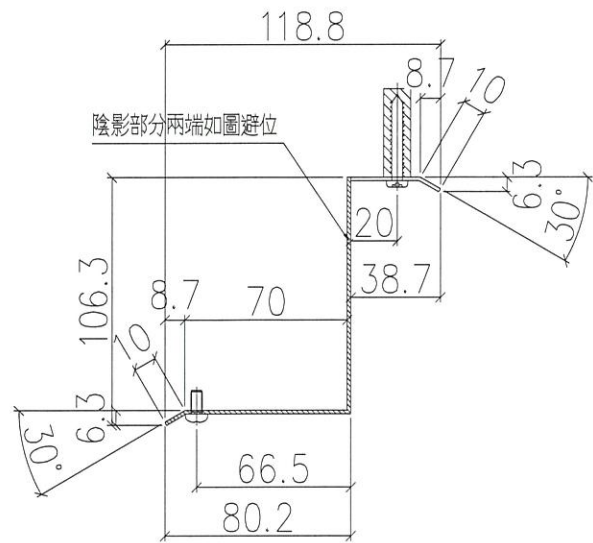
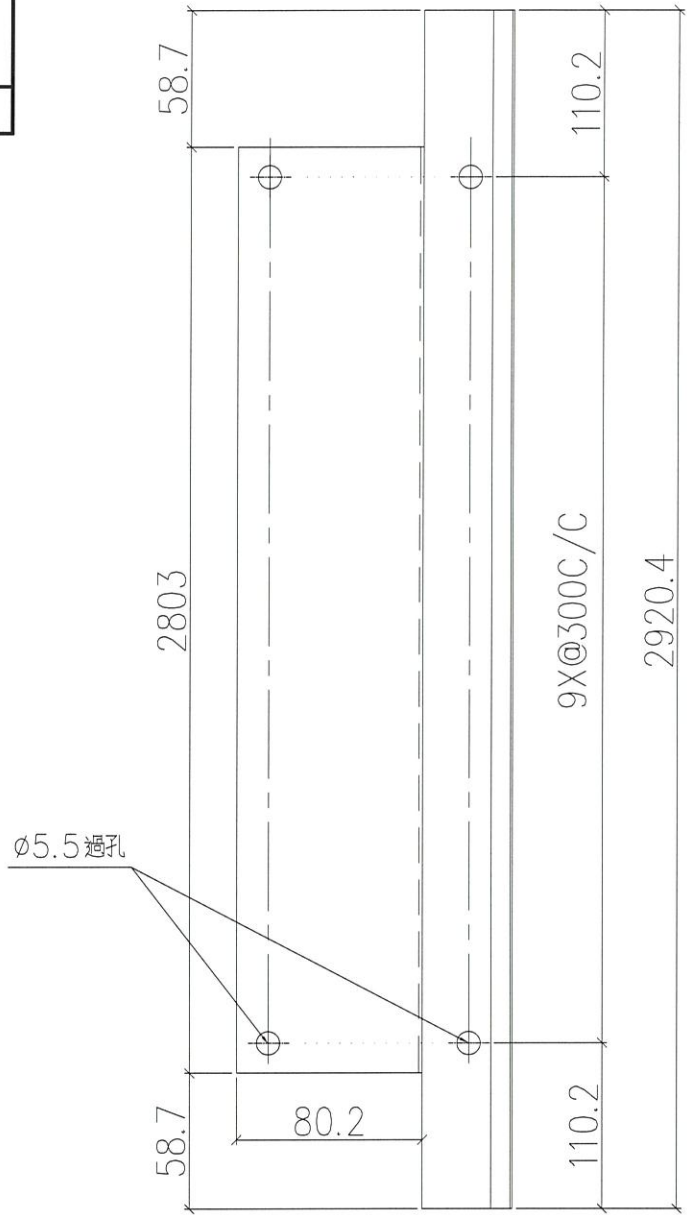
名稱	防水片拆圖	制圖	lvan	2020.11.20	修改		
材料	1.5mm 鋁板	復核	-	-	日期		
顏色	鉻化片	批准			圖號	J852-LVA-AP2-20	





美特鋁質 有限公司  
MIDI Aluminium Fabricator Ltd.

工程號 J852 地盤 亞皆老街



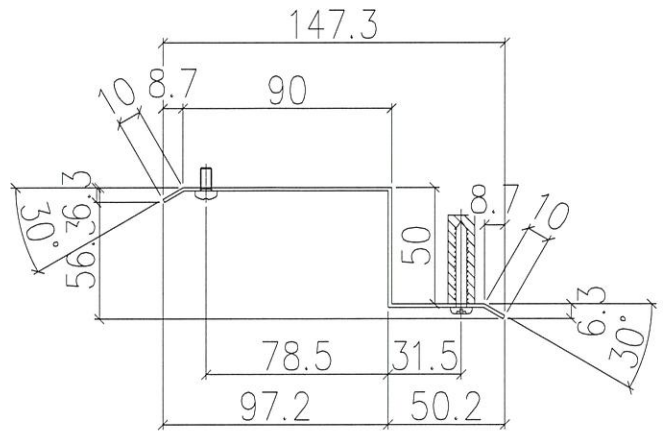
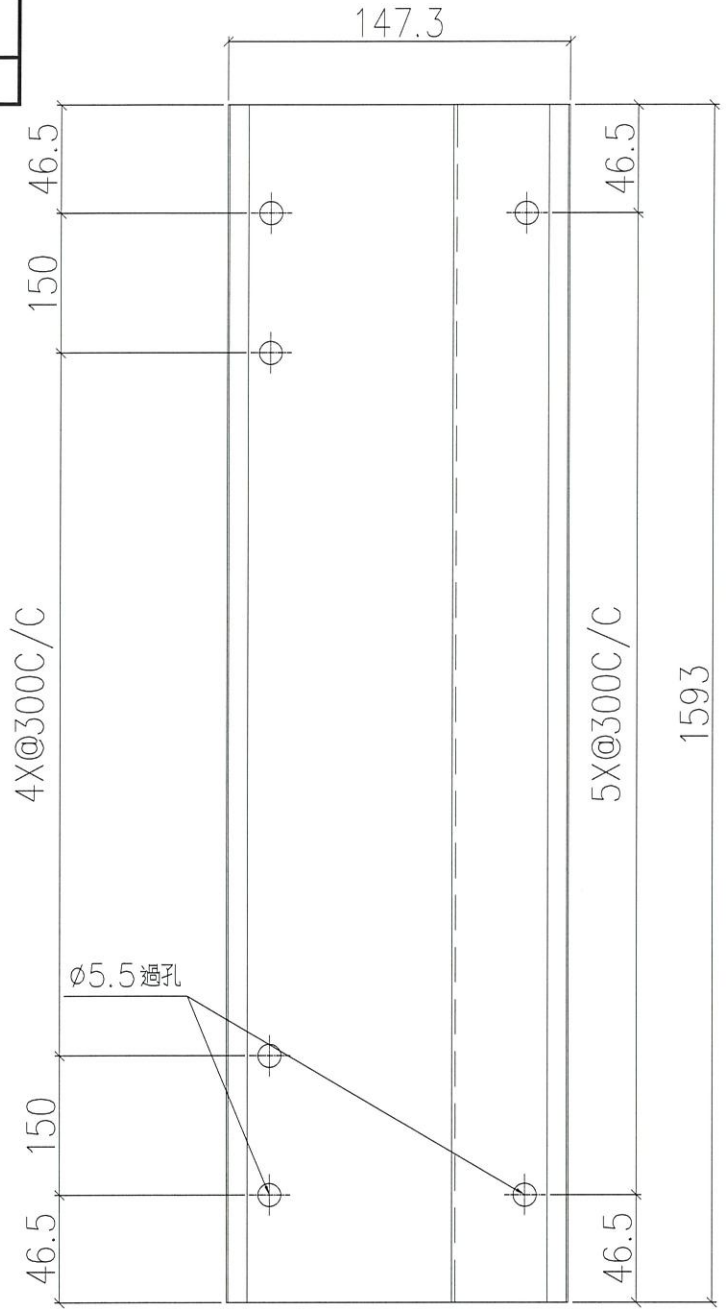
序號	物料編號	數量
01	LVA-AP2-22	6

名稱	防水片拆圖	制圖	Ivan	2020.11.20	修改			
材料	1.5mm 鋁板	復核	-	-	日期			
顏色	<b>鉻化片</b>	批准			圖號	J852-LVA-AP2-22		



美特鋁質 有限公司  
MIDI Aluminium Fabricator Ltd.

工程號 J852 地盤 亞皆老街



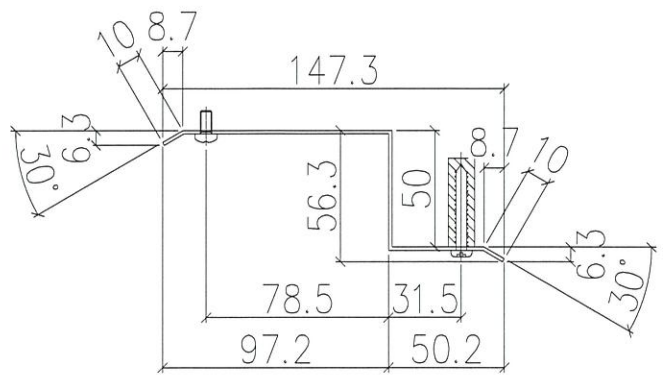
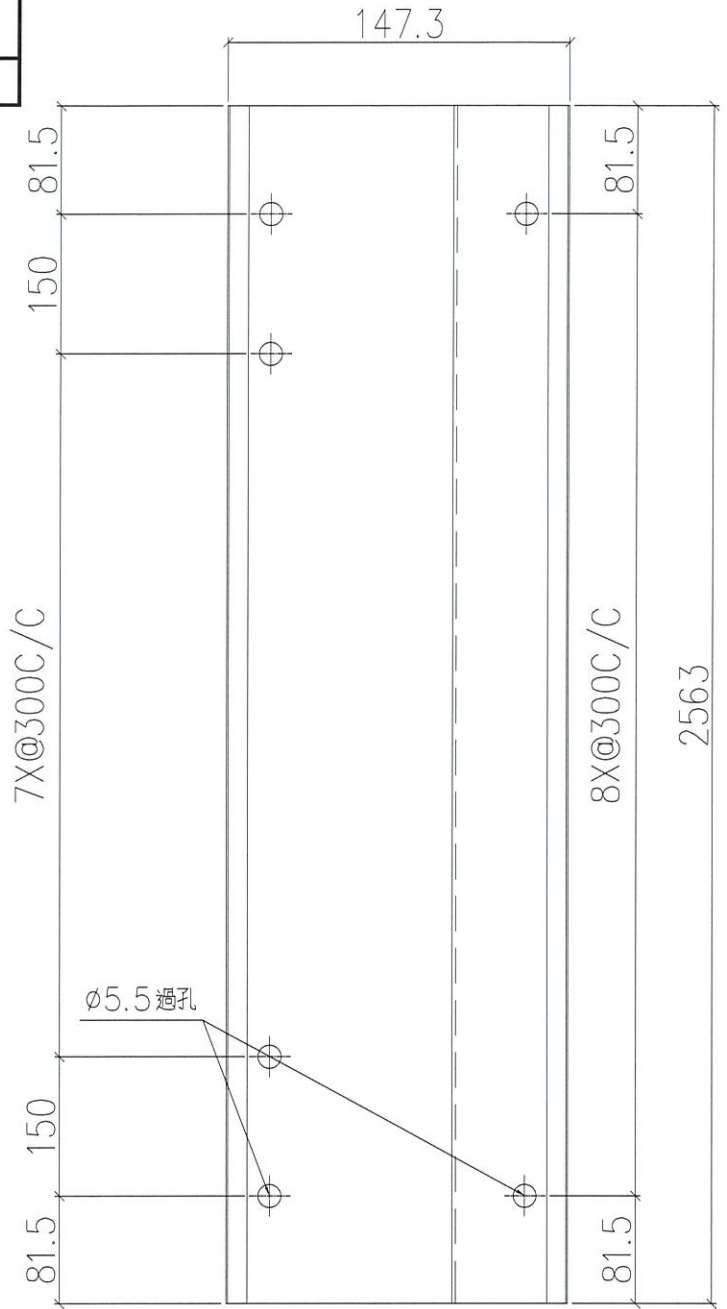
序號	物料編號	數量
01	LVA-AP2-23	2

名稱	防水片拆圖	制圖	lvan	2020.11.20	修改			
材料	1.5mm 鋁板	復核	-	-	日期			
顏色	<b>鉻化片</b>	批准			圖號	J852-LVA-AP2-23		



美特鋁質 有限公司  
MIDI Aluminium Fabricator Ltd.

工程號 J852 地盤 亞皆老街



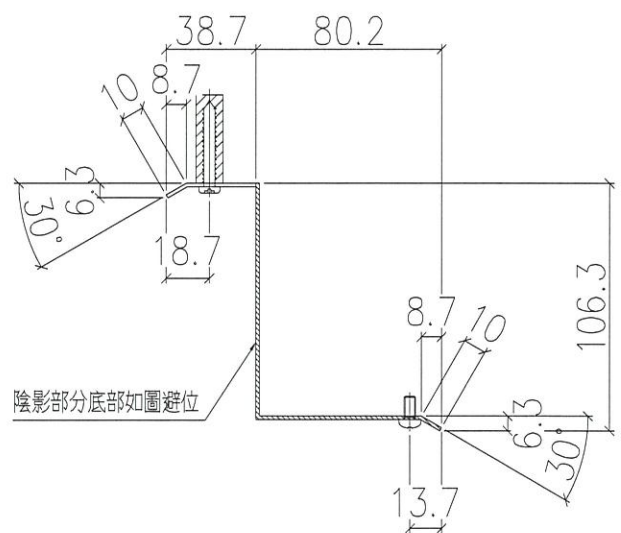
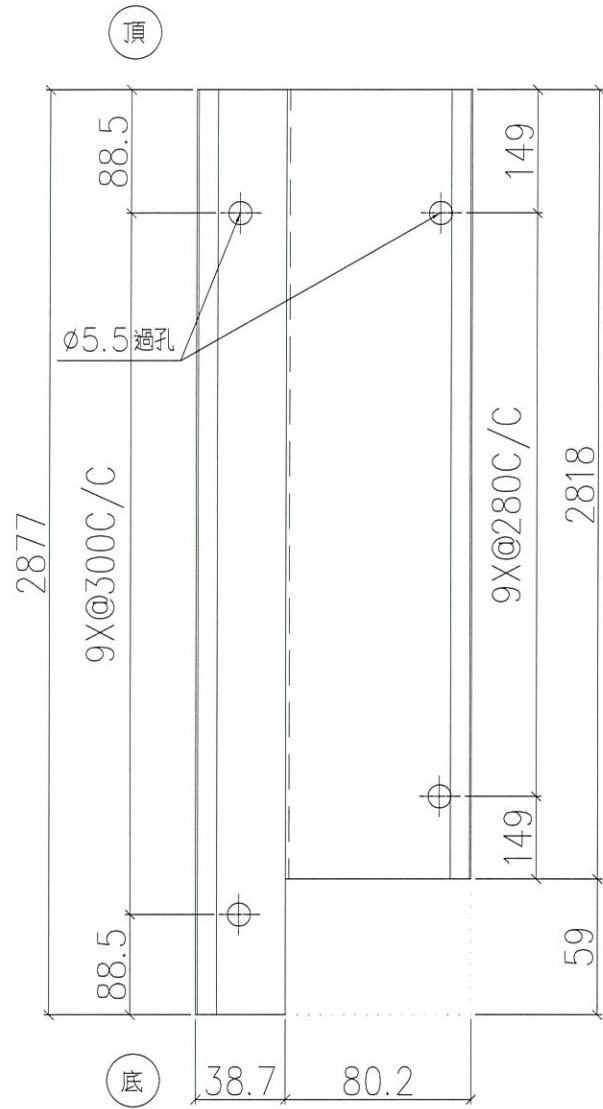
序號	物料編號	數量
01	LVA-AP2-24	1

名稱	防水片拆圖	制圖	lvan	2020.11.20	修改			
材料	1.5mm 鋁板	復核	-	-	日期			
顏色	<b>鉻化片</b>	批准			圖號	J852-LVA-AP2-24		



美特鋁質 有限公司  
MIDI Aluminium Fabricator Ltd.

工程號 J852 地盤 亞皆老街



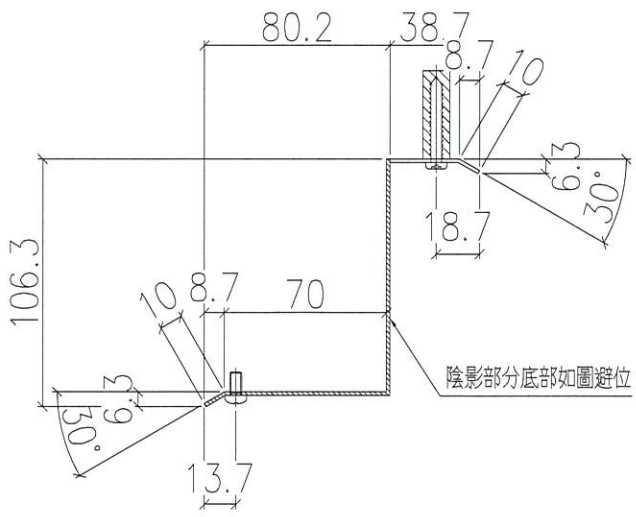
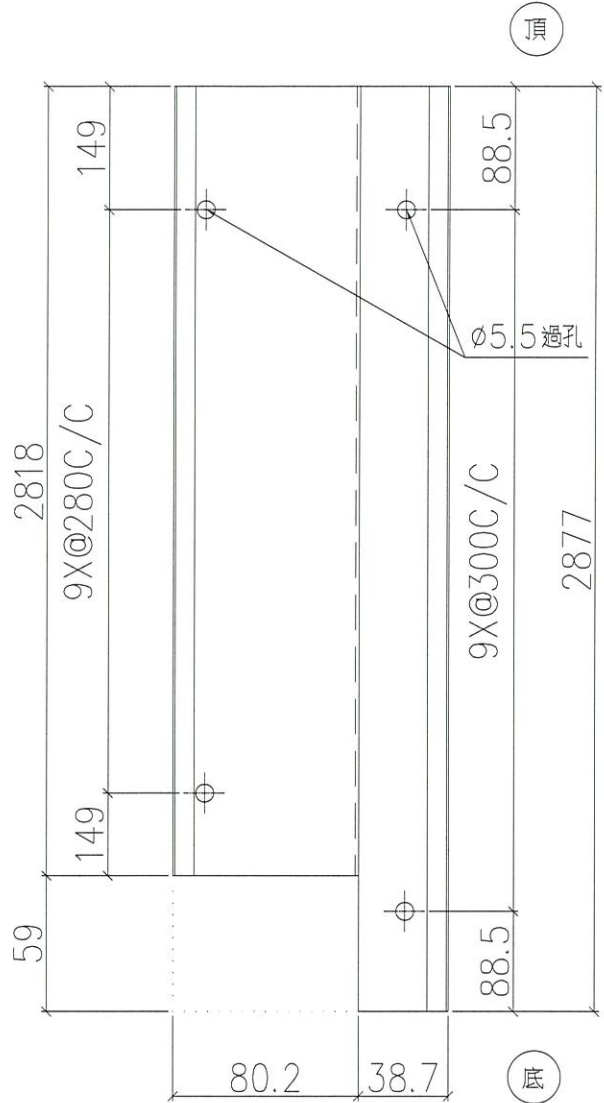
序號	物料編號	數量
01	LVA-AP2-25	3

名稱	防水片拆圖	制圖	Ivan	2020.11.20	修改			
材料	1.5mm 鋁板	復核	-	-	日期			
顏色	鍍化片	批准			圖號	J852-LVA-AP2-25		



美特鋁質 有限公司  
MIDI Aluminium Fabricator Ltd.

工程號 J852 地盤 亞皆老街



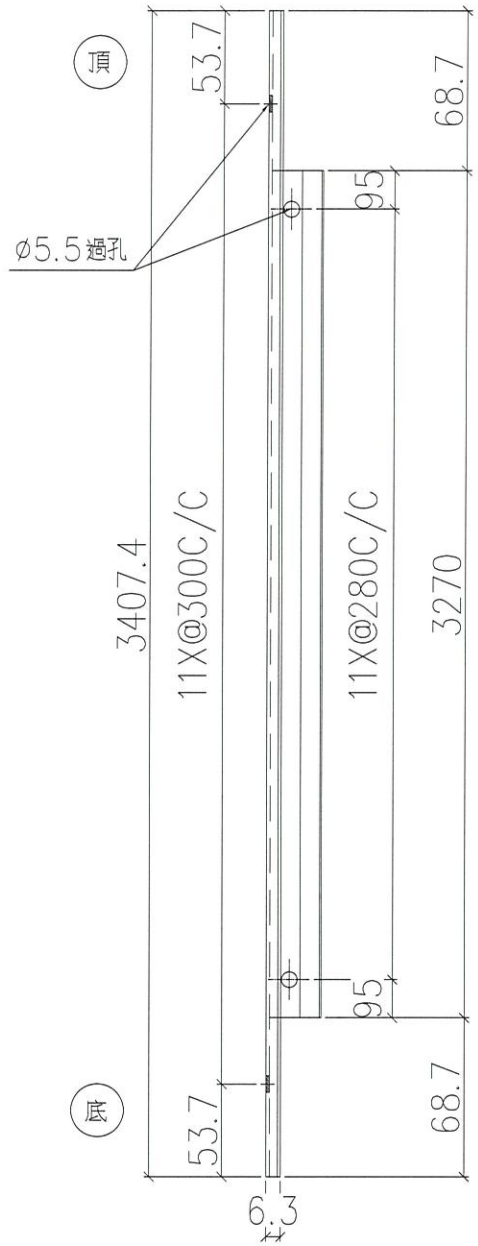
序號	物料編號	數量
01	LVA-AP2-26	3

名稱	防水片拆圖	制圖	Ivan	2020.11.20	修改		
材料	1.5mm 鋁板	復核	-	-	日期		
顏色	鉻化片	批准			圖號	J852-LVA-AP2-26	

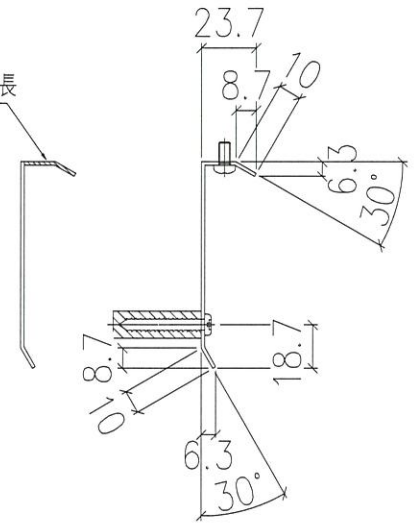


美特鋁質 有限公司  
MIDI Aluminium Fabricator Ltd.

工程號 J852 地盤 亞皆老街



陰影部分兩端如圖避位68.7mm長



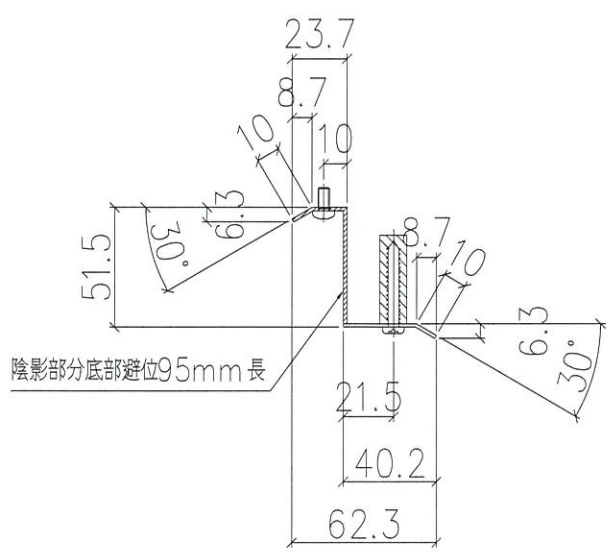
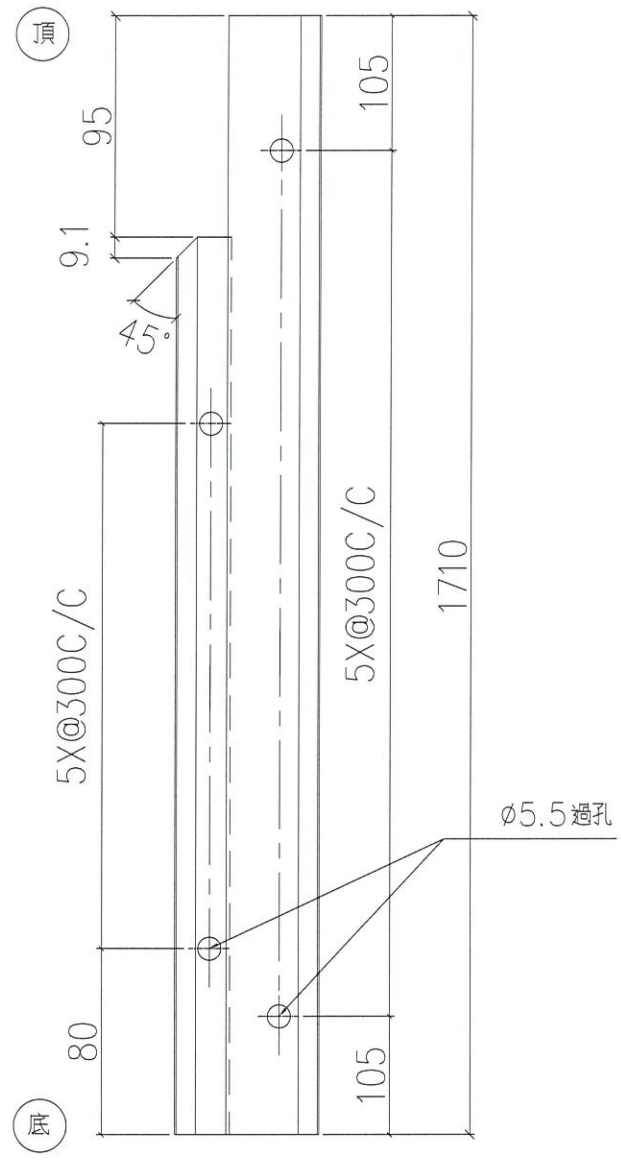
序號	物料編號	數量
01	LVA-AP2-27	1

名稱	防水片拆圖	制圖	Ivan	2020.11.20	修改			
材料	1.5mm 鋁板	復核	-	-	日期			
顏色	<b>鍍化片</b>	批准			圖號	J852-LVA-AP2-27		



美特鋁質 有限公司  
MIDI Aluminium Fabricator Ltd.

工程號 J852 地盤 亞皆老街



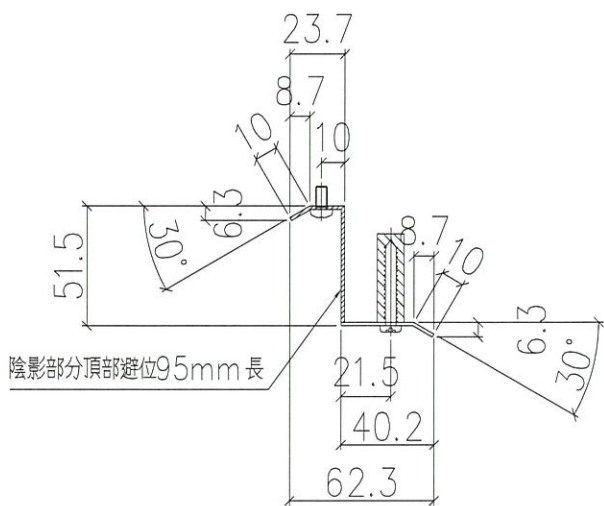
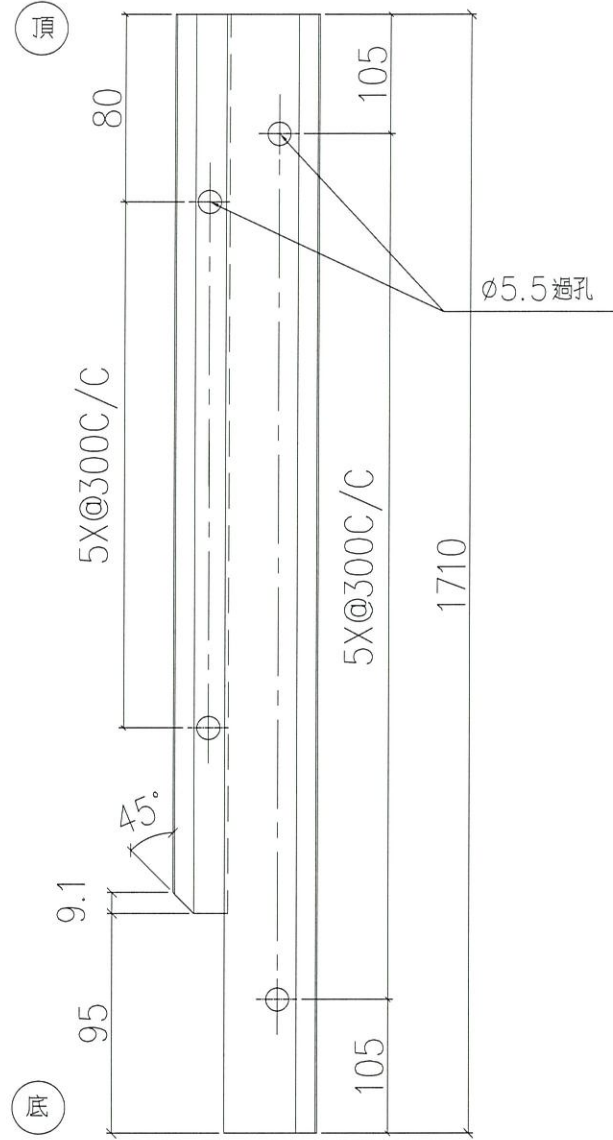
序號	物料編號	數量
01	LVA-AP2-28	1

名稱	防水片拆圖	制圖	Ivan	2020.11.20	修改		
材料	1.5mm 鋁板	復核	-	-	日期		
顏色	鉻化片	批准			圖號	J852-LVA-AP2-28	



美特鋁質 有限公司  
MIDI Aluminium Fabricator Ltd.

工程號 J852 地盤 亞皆老街



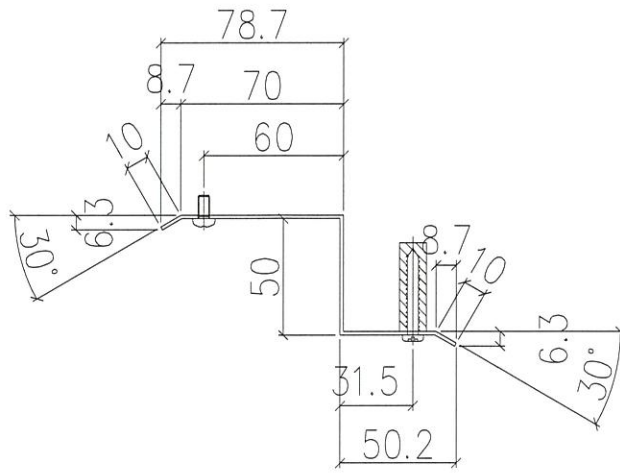
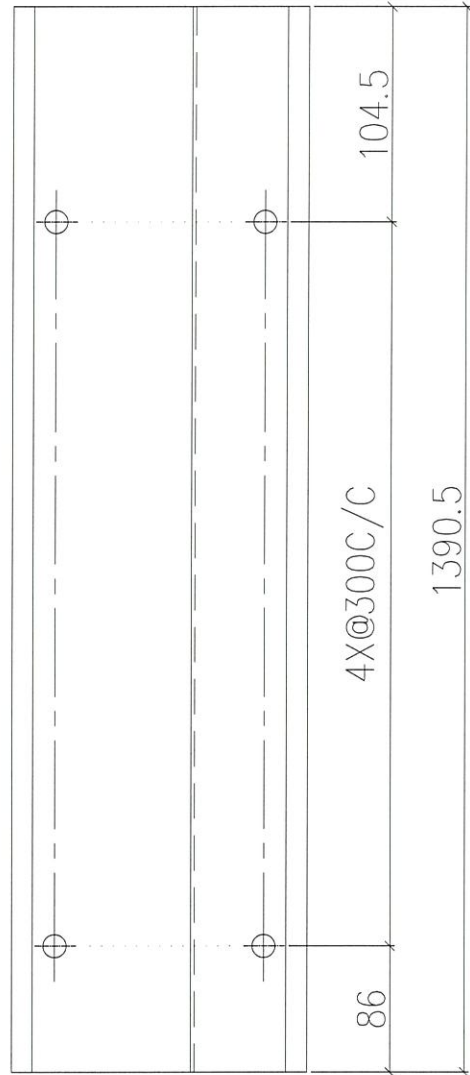
序號	物料編號	數量
01	LVA-AP2-29	1

名稱	防水片拆圖	制圖	Ivan	2020.11.13	修改		
材料	1.5mm 鋁板	復核	-	-	日期		
顏色	鍍化片	批准			圖號	J852-LVA-AP2-29	



美特鋁質 有限公司  
MIDI Aluminium Fabricator Ltd.

工程號 J852 地盤 亞皆老街



序號	物料編號	數量
01	LVA-AP2-30	2

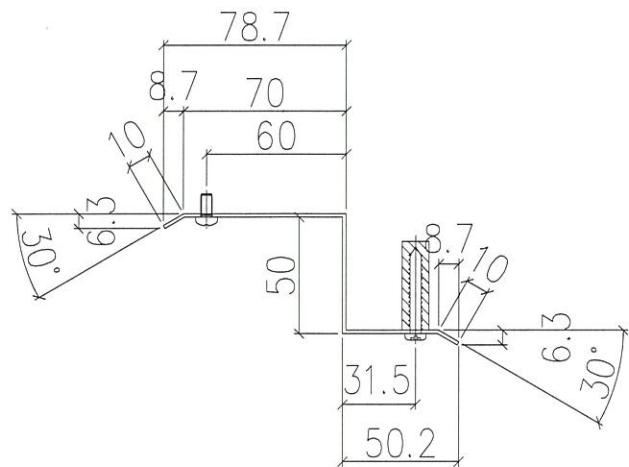
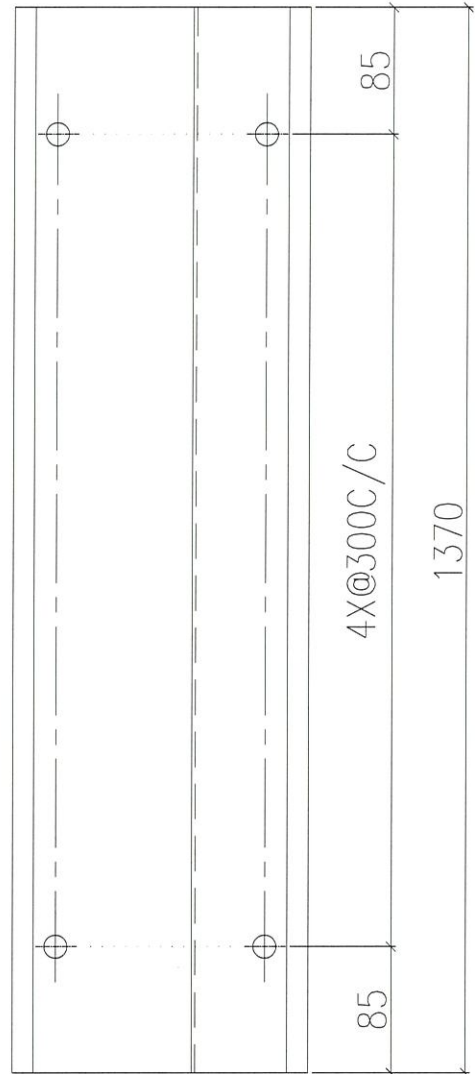
名稱	防水片拆圖	制圖	lvan	2020.11.13	修改		
材料	1.5mm 鋁板	復核	-	-	日期		
顏色	鉻化片	批准			圖號	J852-LVA-AP2-30	



美特鋁質 有限公司  
MIDI Aluminium Fabricator Ltd.

工程號 J852 地盤 亞皆老街

地盤用



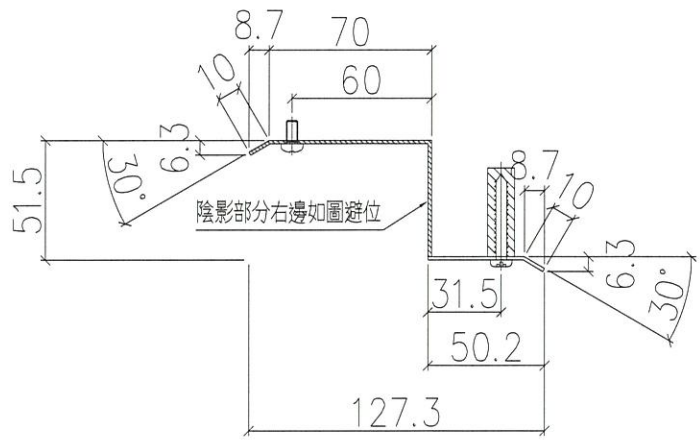
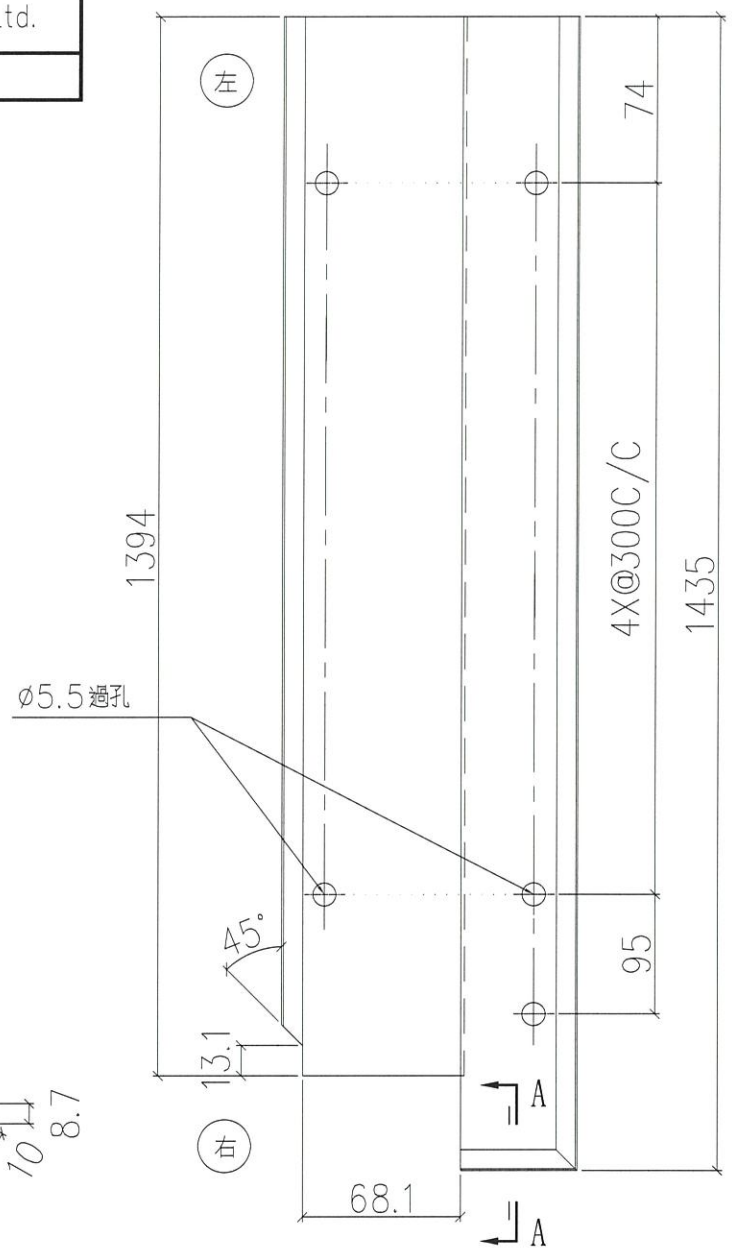
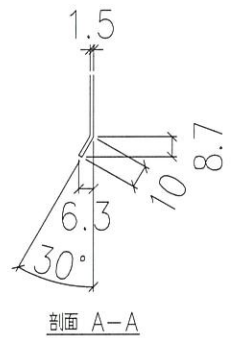
序號	物料編號	數量
01	LVA-AP2-31	2

名稱	防水片拆圖	制圖	Ivan	2020.11.13	修改		
材料	1.5mm 鋁板	復核	-	-	日期		
顏色	鍍化片	批准			圖號	J852-LVA-AP2-31	



美特鋁質 有限公司  
MIDI Aluminium Fabricator Ltd.

工程號	J852	地盤	亞皆老街
-----	------	----	------



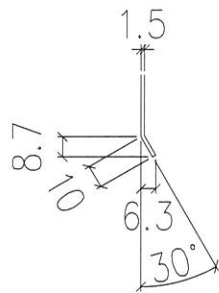
序號	物料編號	數量
01	LVA-AP3-32	1

名稱	防水片拆圖	制圖	Ivan	2020.11.20	修改		
材料	1.5mm鋁板	復核	-	-	日期		
顏色	鍍化片	批准			圖號	J852-LVA-AP2-32	

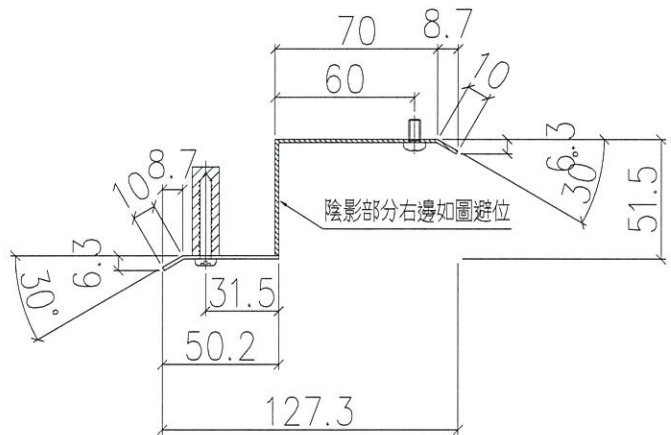
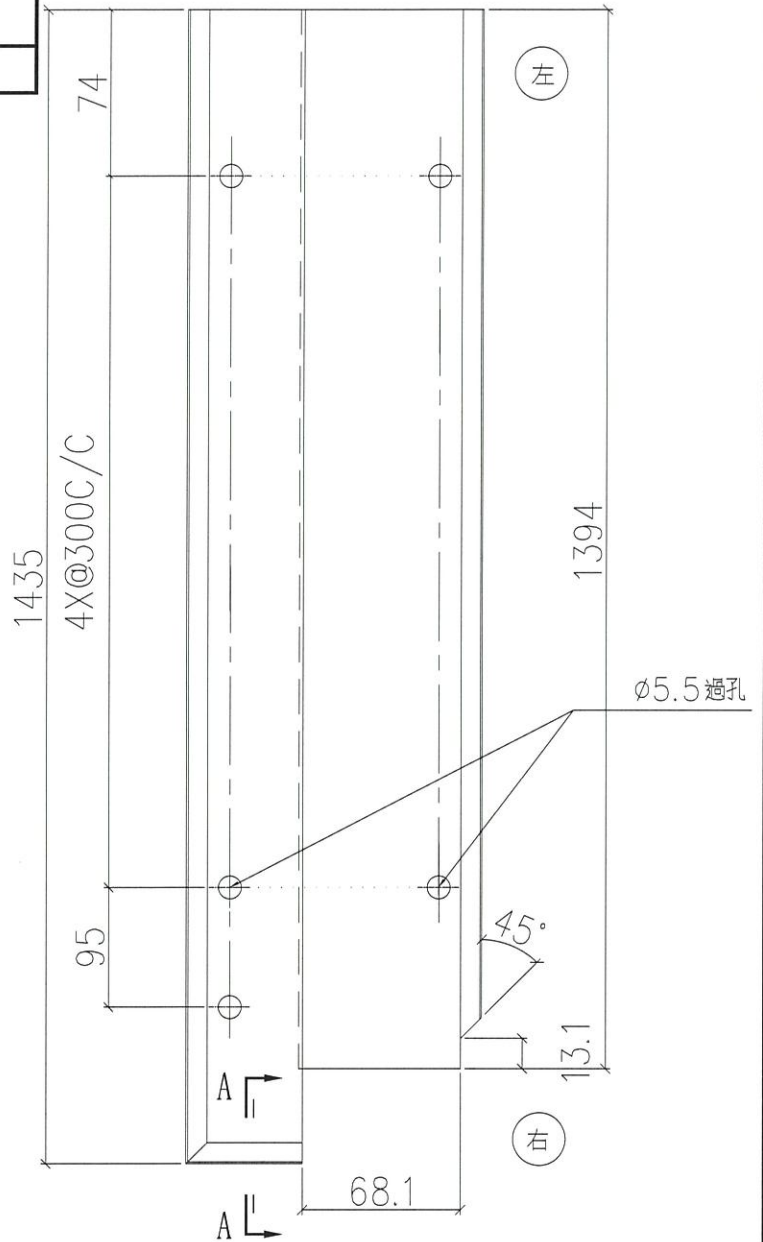


美特鋁質有限公司  
MIDI Aluminium Fabricator Ltd.

工程號 J852 地盤 亞皆老街



剖面 A-A



序號	物料編號	數量
01	LVA-AP3-32	1

名稱	防水片拆圖	制圖	Ivan	2020.11.20	修改			
材料	1.5mm 鋁板	復核	-	-	日期			
顏色	鉻化片	批准			圖號	J852-LVA-AP2-33		