



工程指示 / 要求簡箋(E.I.)

工程指示編號：EI / 2650 / 20

修改版次：-

工程編號：J - 852

工程名稱：亞皆老街中電

工程項目：試水場圖紙 和地址

收件人：生統 / 林哥

發件人：Ant Yeung

日期：30/10/2020

要求提供 / 確認 事項：

- |                                    |                                     |                               |
|------------------------------------|-------------------------------------|-------------------------------|
| <input type="checkbox"/> 初步鋁料 B.M. | <input type="checkbox"/> 加工拆圖，然後生產  | <input type="checkbox"/> 尺寸表  |
| <input type="checkbox"/> 正式鋁料 B.M. | <input type="checkbox"/> 技術上資料 / 指示 | <input type="checkbox"/> 報價   |
| <input type="checkbox"/> 配件 B.M.   | <input type="checkbox"/> 樣辦或貨品說明書   | <input type="checkbox"/> 分判合約 |
| <input type="checkbox"/> 其他：_____  |                                     |                               |

內容：

附上試水箱圖紙和地址

先作預算十一月尾到料試水場 TM

謝謝

請在 2020 / 11 / 20 前完成上列要求。

附：14 頁。

以上項目為：

- 原合約工程包                       原合約工程加 / 減賬                       新工程報價

分發東莞各部門：

- 生產技術總監  連附件     技術部     連附件     生產部     連附件     機械設計部  連附件  
 採購部     連附件     生產統籌部  連附件  
 質檢部     連附件     會計部     連附件     報關組     連附件     其他 楊榮輝  連附件

分發香港各部門：

- 行政部  連附件     會計部  連附件     統籌部  連附件     工程部地盤科文  連附件 祥哥 何曾成  
 採購部  連附件     QS 部  連附件     維修部  連附件     其他 \_\_\_\_\_  連附件

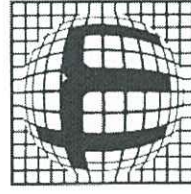
傳遞編號：

HK 2491 / 20

發件人簽署：

項目經理簽署：

622650 HK 2491



T.M. Testing Co., Ltd.  
屯門測試有限公司

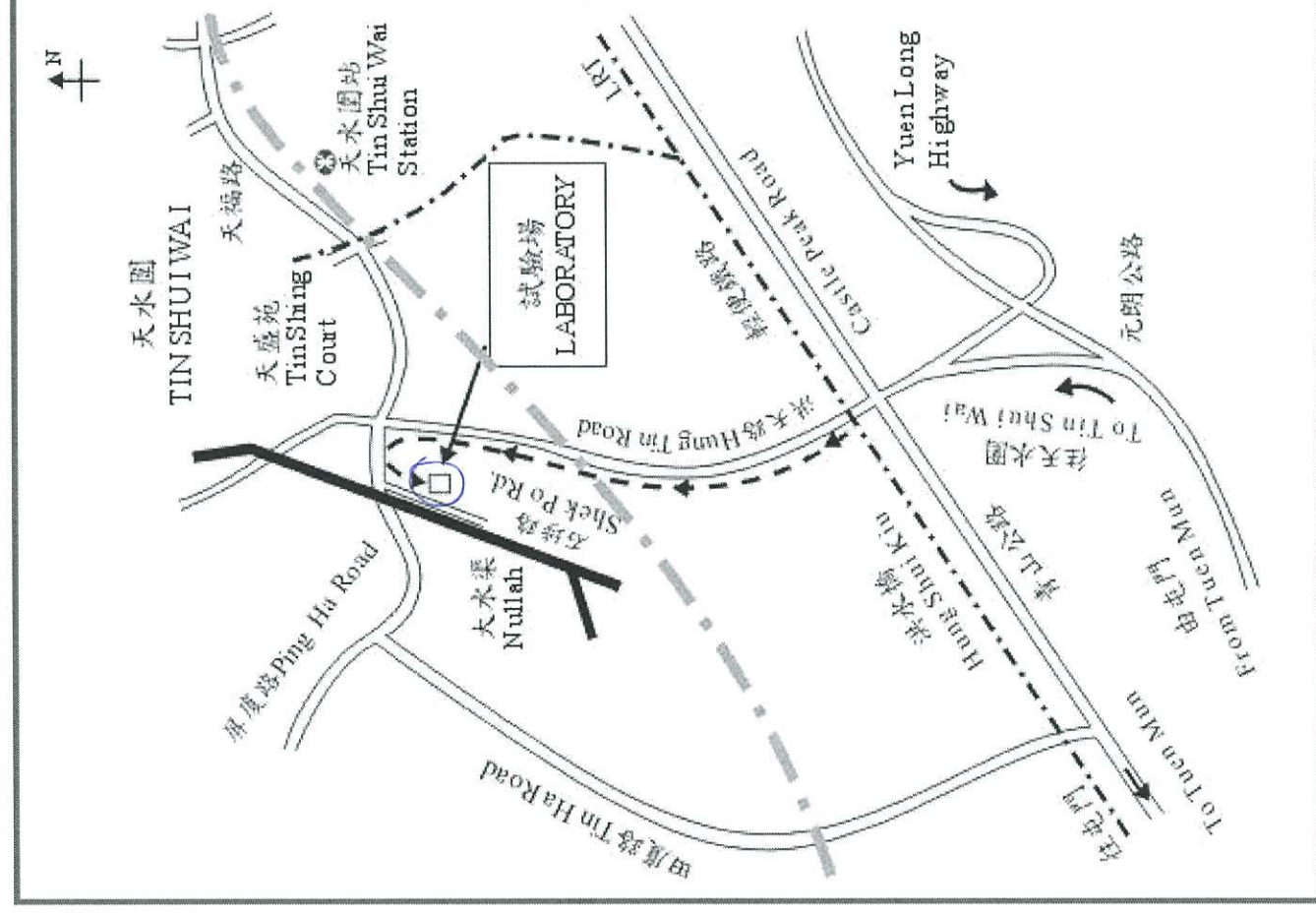
DD124, Lot 612, 18 Wing On Kui  
Shek Po Road

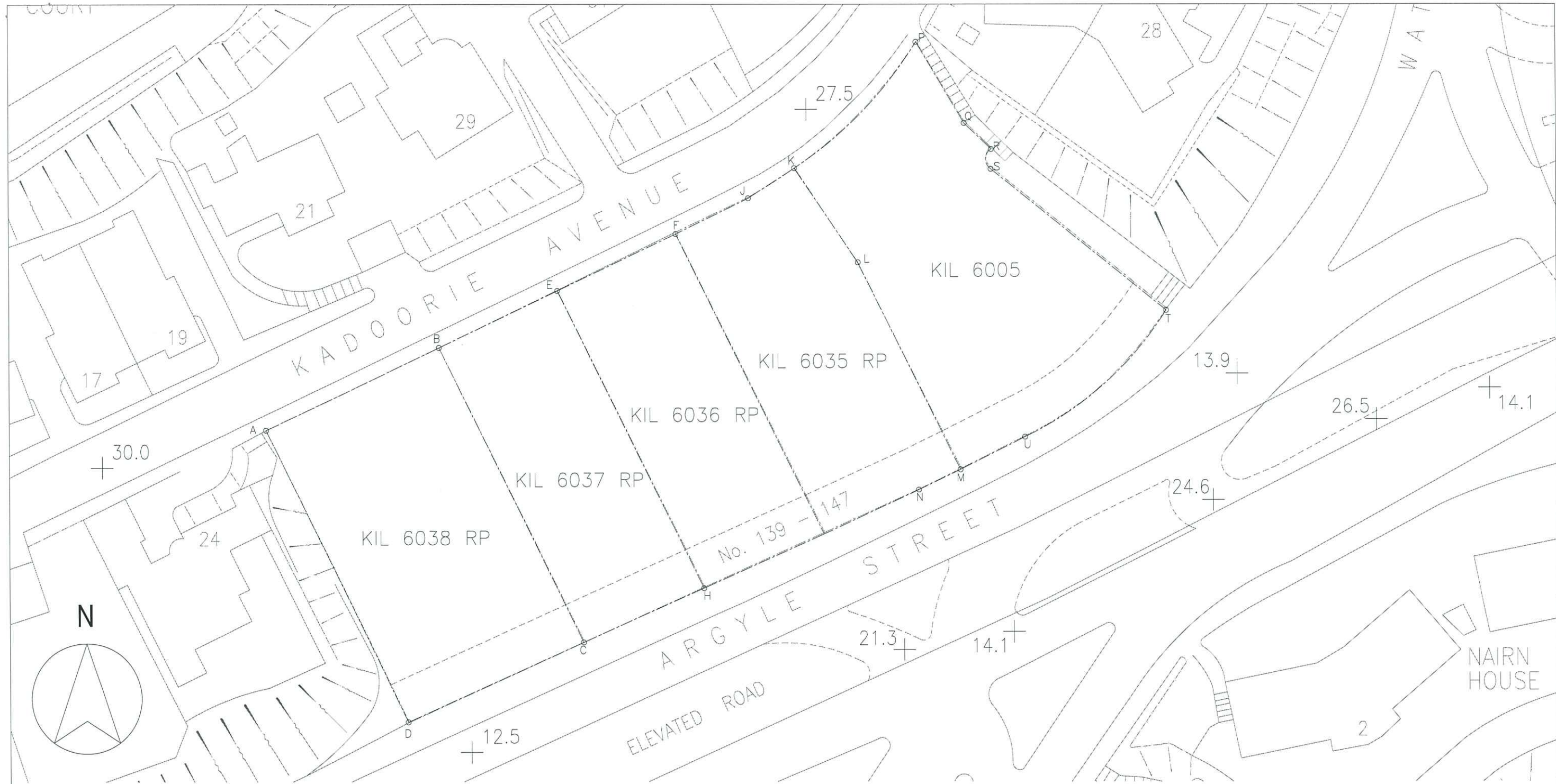
Ping Ha Road, Tin Shui Wai, N.T.

新界天水圍屏廈路石埗路永安居 18 號

Tel (852) 2472 6380

Fax (852) 3905 6158





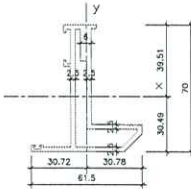

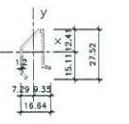
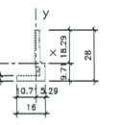
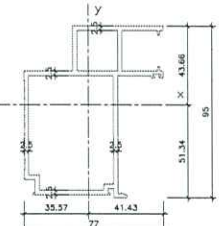
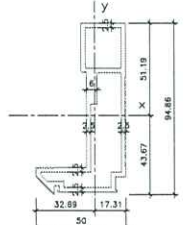
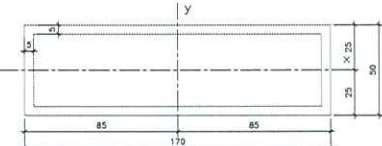
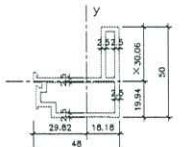
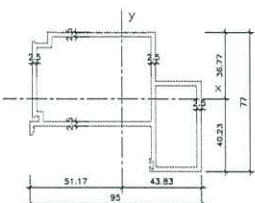
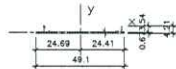
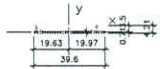
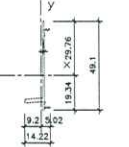
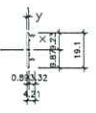
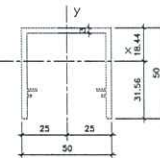
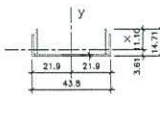
**PROJECT : PROPOSED RESIDENTIAL DEVELOPMENT AT 139 - 147 ARGYLE STREET,  
NKIL 6005, 6035 R.P., 6036 R.P., 6037 R.P. & 6038 R.P.**

**2**

**TITLE : PERFORMANCE TEST OF CURTAIN WALL  
SHOPDRAWING SUBMISSION**

**DATE: 30 - OCT - 2020**



PROPERTIES	PROPERTIES	PROPERTIES	PROPERTIES
<p>MEMBER : AL-PW21 GRADE : 6063-T6 FINISH : PVF2 3-COATING</p>  <p>REGIONS</p> <pre> Area(m2): 651.573222 Perimeter(m): 487.825637 Bounding box(m): X: -30.720347 -- 30.779933 Y: -30.481102 -- 35.513898 Centroid(m): X: 0.000000 Y: 0.000000 Moments of inertia(m4): X: 381187.024841 Y: 154.865699 Product of inertia(m4): XY: -37024.772619 XZ: 187201.21 YZ: 11.891973 Principal moments and X-Y directions about centroid(m4): I: 87470.106204 along C.O. 125166 -0.992136 I: 382861.785336 along C.O. 992136 0.125166 Elastic Modulus(m3): Zx: 1 / y-max= 9647 Zy: 1 / x-max= 2994 </pre>	<p>MEMBER : AL-PW05 GRADE : 6063-T6 FINISH : PVF2 3-COATING</p>  <p>REGIONS</p> <pre> Area(m2): 29.048373 Perimeter(m): 64.812944 Bounding box(m): X: -11.150751 -- 11.149249 Y: -0.955237 -- 0.955237 Centroid(m): X: 0.000000 Y: 0.000000 Moments of inertia(m4): X: 1484.925234 Y: 29.792984 Product of inertia(m4): XY: -0.022335 XZ: 1.025974 YZ: 7.149760 Principal moments and X-Y directions about centroid(m4): I: 29.292984 along C.O. 0.000000 0.000151 I: 1484.925234 along C.O. 0.000151 0.000000 Elastic Modulus(m3): Zx: 1 / y-max= 8 Zy: 1 / x-max= 133 </pre>	<p>MEMBER : AL-PW22 GRADE : 6063-T6 FINISH : PVF2 3-COATING</p>  <p>REGIONS</p> <pre> Area(m2): 69.774414 Perimeter(m): 118.232367 Bounding box(m): X: -7.289921 -- 9.352491 Y: -15.110745 -- 12.412923 Centroid(m): X: 0.000000 Y: 0.000000 Moments of inertia(m4): X: 4068.519848 Y: 2008.876583 Product of inertia(m4): XY: 832.138225 XZ: 7.025974 YZ: 3.362572 Principal moments and X-Y directions about centroid(m4): I: 1716.690397 along C.O. 333210 0.942817 I: 4362.702104 along C.O. 942817 0.333210 Elastic Modulus(m3): Zx: 1 / y-max= 89 Zy: 1 / x-max= 215 </pre>	<p>MEMBER : AL27 GRADE : 6063-T6 FINISH : MILL</p>  <p>REGIONS</p> <pre> Area(m2): 127.267359 Perimeter(m): 94.041743 Bounding box(m): X: -10.727820 -- 8.292180 Y: -5.727653 -- 18.292353 Centroid(m): X: 0.000000 Y: 0.000000 Moments of inertia(m4): X: 9202.818171 Y: 1626.166423 Product of inertia(m4): XY: 1061.091800 XZ: 8.523268 YZ: 3.607393 Principal moments and X-Y directions about centroid(m4): I: 1529.810682 along C.O. 136636 0.990621 I: 9349.177912 along C.O. 990621 0.136636 Elastic Modulus(m3): Zx: 1 / y-max= 223 Zy: 1 / x-max= 155 </pre>
<p>MEMBER : AL01M GRADE : 6063-T6 FINISH : PVF2 3-COATING</p>  <p>REGIONS</p> <pre> Area(m2): 895.813200 Perimeter(m): 741.466387 Bounding box(m): X: -35.371854 -- 41.428146 Y: -51.328927 -- 43.660293 Centroid(m): X: 0.000000 Y: 0.000000 Moments of inertia(m4): X: 92536.802690 Y: 43239.161658 Product of inertia(m4): XY: 19863.497293 XZ: 32.145178 YZ: 22.000398 Principal moments and X-Y directions about centroid(m4): I: 325263.259119 along C.O. 332882 0.942827 I: 995592.670845 along C.O. 942827 0.332882 Elastic Modulus(m3): Zx: 1 / y-max= 1802 Zy: 1 / x-max= 10466 </pre>	<p>MEMBER : AL02M GRADE : 6063-T6 FINISH : PVF2 3-COATING</p>  <p>REGIONS</p> <pre> Area(m2): 604.014928 Perimeter(m): 604.037449 Bounding box(m): X: -32.692599 -- 17.307401 Y: -43.668865 -- 31.189714 Centroid(m): X: 0.000000 Y: 0.000000 Moments of inertia(m4): X: 764979.979776 Y: 69129.473737 Product of inertia(m4): XY: 128856.851288 XZ: 26.845931 YZ: 13.161642 Principal moments and X-Y directions about centroid(m4): I: 113783.064778 along C.O. 194112 0.980979 I: 790477.685119 along C.O. 980979 0.194112 Elastic Modulus(m3): Zx: 1 / y-max= 1484 Zy: 1 / x-max= 4260 </pre>	<p>MEMBER : AL01 GRADE : 6063-T6 FINISH : PVF2 3-COATING</p>  <p>REGIONS</p> <pre> Area(m2): 2100.103009 Perimeter(m): 828.959911 Bounding box(m): X: -85.000000 -- 85.000000 Y: -85.000000 -- 25.000000 Centroid(m): X: 0.000000 Y: 0.000000 Moments of inertia(m4): X: 917533.065479 Y: 69129.473737 Product of inertia(m4): XY: -0.000001 XZ: 908.9121 YZ: 56.978671 Principal moments and X-Y directions about centroid(m4): I: 917533.065479 along C.O. 0.000000 0.000000 I: 69129.473737 along C.O. 0.000000 1.000000 Elastic Modulus(m3): Zx: 1 / y-max= 2870 Zy: 1 / x-max= 60213 </pre>	<p>MEMBER : AL03 GRADE : 6063-T6 FINISH : PVF2 3-COATING</p>  <p>REGIONS</p> <pre> Area(m2): 484.455091 Perimeter(m): 290.825318 Bounding box(m): X: -29.825026 -- 18.179974 Y: -19.376111 -- 30.082399 Centroid(m): X: 0.000000 Y: 0.000000 Moments of inertia(m4): X: 99196.571574 Y: 127418.047018 Product of inertia(m4): XY: 44476.054584 XZ: 14.309394 YZ: 16.217231 Principal moments and X-Y directions about centroid(m4): I: 6644.340225 along C.O. 806935 0.930613 I: 19994.824287 along C.O. 930613 0.806935 Elastic Modulus(m3): Zx: 1 / y-max= 320 Zy: 1 / x-max= 473 </pre>
<p>MEMBER : AL04 GRADE : 6063-T6 FINISH : PVF2 3-COATING</p>  <p>REGIONS</p> <pre> Area(m2): 890.744328 Perimeter(m): 732.436436 Bounding box(m): X: -51.169708 -- 43.830292 Y: -43.232938 -- 36.774702 Centroid(m): X: 0.000000 Y: 0.000000 Moments of inertia(m4): X: 498024.183971 Y: 92529.611653 Product of inertia(m4): XY: -230396.408312 XZ: 32.145178 YZ: 14.782624 Principal moments and X-Y directions about centroid(m4): I: 296286.770287 along C.O. 915103 -0.403219 I: 1022033.025238 along C.O. 403219 0.915103 Elastic Modulus(m3): Zx: 1 / y-max= 1228 Zy: 1 / x-max= 17985 </pre>	<p>MEMBER : AL36 GRADE : 6063-T6 FINISH : PVF2 3-COATING</p>  <p>REGIONS</p> <pre> Area(m2): 54.246227 Perimeter(m): 114.539708 Bounding box(m): X: -24.692540 -- 24.407460 Y: -0.614620 -- 3.937158 Centroid(m): X: 0.000000 Y: 0.000000 Moments of inertia(m4): X: 24.241185 Y: 2165.161630 Product of inertia(m4): XY: 18.827730 XZ: 0.669862 YZ: 14.478225 Principal moments and X-Y directions about centroid(m4): I: 24.241185 along C.O. 999999 0.001037 I: 2165.161630 along C.O. 0.001037 0.999999 Elastic Modulus(m3): Zx: 1 / y-max= 7 Zy: 1 / x-max= 493 </pre>	<p>MEMBER : AL37 GRADE : 6063-T6 FINISH : PVF2 3-COATING</p>  <p>REGIONS</p> <pre> Area(m2): 44.746227 Perimeter(m): 95.529708 Bounding box(m): X: -19.627198 -- 19.972802 Y: -0.711198 -- 3.937158 Centroid(m): X: 0.000000 Y: 0.000000 Moments of inertia(m4): X: 23.200202 Y: 6581.721965 Product of inertia(m4): XY: -18.541739 XZ: 0.702028 YZ: 12.109485 Principal moments and X-Y directions about centroid(m4): I: 23.175995 along C.O. 999999 -0.001918 I: 6561.745962 along C.O. 0.001918 0.999999 Elastic Modulus(m3): Zx: 1 / y-max= 7 Zy: 1 / x-max= 329 </pre>	<p>MEMBER : AL38 GRADE : 6063-T6 FINISH : PVF2 3-COATING</p>  <p>REGIONS</p> <pre> Area(m2): 73.928796 Perimeter(m): 133.487449 Bounding box(m): X: -9.197427 -- 5.017778 Y: -19.338571 -- 29.761429 Centroid(m): X: 0.000000 Y: 0.000000 Moments of inertia(m4): X: 17407.141247 Y: 628.140287 Product of inertia(m4): XY: 1589.629256 XZ: 15.344238 YZ: 8.917127 Principal moments and X-Y directions about centroid(m4): I: 490.809471 along C.O. 0.999371 0.999371 I: 17543.451803 along C.O. 999371 0.000629 Elastic Modulus(m3): Zx: 1 / y-max= 58 Zy: 1 / x-max= 68 </pre>
<p>MEMBER : AL39 GRADE : 6063-T6 FINISH : PVF2 3-COATING</p>  <p>REGIONS</p> <pre> Area(m2): 24.246227 Perimeter(m): 54.239708 Bounding box(m): X: -0.889743 -- 3.321617 Y: -9.889054 -- 9.231096 Centroid(m): X: 0.000000 Y: 0.000000 Moments of inertia(m4): X: 785.844588 Y: 19.804365 Product of inertia(m4): XY: 11.161120 XZ: 5.691982 YZ: 0.903772 Principal moments and X-Y directions about centroid(m4): I: 19.441782 along C.O. 0.145711 0.999894 I: 785.707223 along C.O. 999894 0.145711 Elastic Modulus(m3): Zx: 1 / y-max= 60 Zy: 1 / x-max= 6 </pre>	<p>MEMBER : AL41 GRADE : 6063-T6 FINISH : PVF2 3-COATING</p>  <p>REGIONS</p> <pre> Area (mm2): 448.85 Perimeter (mm): 324.45 Bounding Box - X (mm): -25.00 to 25.00 Bounding Box - Y (mm): -31.56 to 18.44 Centroid - X (mm): 0.00 Centroid - Y (mm): 0.00 Moments of inertia - X (mm4): 117911.08 Moments of inertia - Y (mm4): 192510.04 Product of inertia - XY (mm4): 0.00 Radii of gyration - X (mm): 16.82 Radii of gyration - Y (mm): 20.78 Principal moments along X-Y (mm4): 117911.08 along C.O. 0.00 1.00 Principal moments along Y-X (mm4): 192510.04 along C.O. 0.00 1.00 Elastic Modulus - Zx (mm3): 1 / y-max= 3725.89 Elastic Modulus - Zy (mm3): 1 / x-max= 3746.49 </pre>	<p>MEMBER : AL42 GRADE : 6063-T6 FINISH : PVF2 3-COATING</p>  <p>REGIONS</p> <pre> Area (mm2): 82.85 Perimeter (mm): 187.81 Bounding Box - X (mm): -21.90 to 21.90 Bounding Box - Y (mm): -3.61 to 11.10 Centroid - X (mm): 0.00 Centroid - Y (mm): 0.00 Moments of inertia - X (mm4): 1412.29 Moments of inertia - Y (mm4): 23195.60 Product of inertia - XY (mm4): 0.38 Radii of gyration - X (mm): 14.12 Radii of gyration - Y (mm): 15.76 Principal moments along X-Y (mm4): 1412.29 along C.O. 0.00 1.00 Principal moments along Y-X (mm4): 23195.60 along C.O. 0.00 1.00 Elastic Modulus - Zx (mm3): 1 / y-max= 127.20 Elastic Modulus - Zy (mm3): 1 / x-max= 1059.13 </pre>	

B.D. REF :

CLIENT :

ARCHITECT :  
**AGC DESIGN LTD**

MAIN CONTRACTOR :  
**Gammon**

STRUCTURAL ENGINEER :  
**ARUP**

FAÇADE CONSULTANT :  
**MEIN-HARDT**

NOTE :  
1. ALL DIMENSIONS ARE IN mm.  
2. ALL ELEVATIONS ARE VIEWED FROM OUTSIDE.  
3. ALL DIMENSIONS TO BE VERIFIED ON SITE BEFORE FABRICATION.

LEGEND :  
X1 --- DETAIL MARK NO.  
X001 --- REFER SHEET NO.

1. F.F.L. --- FINISHED FLOOR LEVEL  
2. S.F.L. --- STRUCTURAL FLOOR LEVEL  
3. (R) --- REVERSED DETAIL

NO.	DATE	REVISED	BY

JOB NO. : J-852

PROJECT : PROPOSED RESIDENTIAL DEVELOPMENT AT 139 - 147 ARGYLE STREET, NKIL 6005, 6035 R.P., 6036 R.P., 6037 R.P. & 6038 R.P.

TITLE : SECTION PROPERTIES OF PERFORMANCE TEST FOR CURTAIN WALL (ALUM. EXTRUSIONS)

DATE : 13-Jul-20 SCALE : 1:40

DRAWN BY : LHR CHECKED BY : DW

**美特铝质有限公司**  
MIDI ALUMINIUM FABRICATOR LTD.  
Units 6-8, Sunray Industrial Centre, 1/F  
610 Cha Kwo Ling Road, Kowloon  
Tel: 23489211-4 Fax: (852) 27276666

DWG NO. : J852-SD-PT-1101 REV. : -

MEMBER : AL11  
GRADE : 6063-T6  
FINISH : MILL

REGIONS

Area(m <sup>2</sup> ):	2424.115046
Perimeter(m):	441.464125
Bounding box(m):	X: -41.091593 -- 83.908407
	Y: -22.300000 -- 22.300000
Centroid(m):	X: 0.000000
	Y: 0.000000
Moments of inertia(m <sup>4</sup> ):	X: 1459896.203098
	Y: 376896.371678
Product of inertia(m <sup>4</sup> ):	XY: 1364852.325923
Radius of gyration(m):	X: 24.320564
	Y: 39.430861
Principal moments and X-Y directions about centroid(m <sup>4</sup> ):	I: 825922.892413 along [0.907194 0.420713]
	J: 4401949.884853 along [-0.420713 0.907194]
Elastic Modulus(m <sup>3</sup> ):	Zx: 1 / y-max= 23231
	Zy: 1 / x-max= 44918

MEMBER : AL12  
GRADE : 6063-T6  
FINISH : MILL

REGIONS

Area(m <sup>2</sup> ):	264.923682
Perimeter(m):	108.079759
Bounding box(m):	X: -4.072294 -- 3.427706
	Y: -20.000000 -- 20.000000
Centroid(m):	X: 0.000000
	Y: 0.000000
Moments of inertia(m <sup>4</sup> ):	X: 39524.801336
	Y: 1009.337333
Product of inertia(m <sup>4</sup> ):	XY: 0.000000
Radius of gyration(m):	X: 11.979819
	Y: 1.945029
Principal moments and X-Y directions about centroid(m <sup>4</sup> ):	I: 1026.337333 along [0.000000 -1.000000]
	J: 39524.801336 along [1.000000 0.000000]
Elastic Modulus(m <sup>3</sup> ):	Zx: 1 / y-max= 1776
	Zy: 1 / x-max= 247

MEMBER : AL13  
GRADE : 6063-T6  
FINISH : MILL

REGIONS

Area(m <sup>2</sup> ):	1096.010000
Perimeter(m):	256.825625
Bounding box(m):	X: -4.113977 -- 5.386023
	Y: -51.000000 -- 51.000000
Centroid(m):	X: 0.000000
	Y: 0.000000
Moments of inertia(m <sup>4</sup> ):	X: 92626.772483
	Y: 12649.219787
Product of inertia(m <sup>4</sup> ):	XY: 0.000000
Radius of gyration(m):	X: 30.431000
	Y: 3.117106
Principal moments and X-Y directions about centroid(m <sup>4</sup> ):	I: 12649.219787 along [0.000000 -1.000000]
	J: 92626.772483 along [1.000000 0.000000]
Elastic Modulus(m <sup>3</sup> ):	Zx: 1 / y-max= 1840
	Zy: 1 / x-max= 1742

MEMBER : AL14  
GRADE : 6063-T6  
FINISH : MILL

REGIONS

Area (mm <sup>2</sup> ):	421.20
Perimeter (mm):	152.40
Bounding Box - X (mm):	-11.71 to 26.39
Bounding Box - Y (mm):	-11.71 to 26.39
Centroid - X (mm):	0.00
Centroid - Y (mm):	0.00
Moments of Inertia - X (mm <sup>4</sup> ):	55158.36
Moments of Inertia - Y (mm <sup>4</sup> ):	55158.36
Product of Inertia - XY (mm <sup>4</sup> ):	31902.54
Radius of gyration - X (mm):	11.44
Radius of gyration - Y (mm):	11.44
Principal moments along X-Y (mm <sup>4</sup> ):	23197.82 along [0.71 -0.71]
Principal moments along X-X (mm <sup>4</sup> ):	8718.90 along [0.71 0.71]
Elastic Modulus - Xx (mm <sup>3</sup> ):	1 / y-max= 2000.18
Elastic Modulus - Yy (mm <sup>3</sup> ):	1 / x-max= 2000.18

B.D. REF :

CLIENT :

ARCHITECT :

MAIN CONTRACTOR :

STRUCTURAL ENGINEER :

FACADE CONSULTANT:

NOTE :

- ALL DIMENSIONS ARE IN mm.
- ALL ELEVATIONS ARE VIEWED FROM OUTSIDE.
- ALL DIMENSIONS TO BE VERIFIED ON SITE BEFORE FABRICATION.

LEGEND :

X1 — DETAIL MARK NO.  
X001 — REFER SHEET NO.

- F.F.L. -- FINISHED FLOOR LEVEL
- S.F.L. -- STRUCTURAL FLOOR LEVEL
- (/R) -- REVERSED DETAIL

NO.	DATE	REVISED	BY
-----	------	---------	----

JOB NO. : J-852

PROJECT : PROPOSED RESIDENTIAL DEVELOPMENT AT 139 - 147 ARGYLE STREET, NKIL 6005, 6035 R.P., 6036 R.P., 6037 R.P. & 6038 R.P.

TITLE : SECTION PROPERTIES OF PERFORMANCE TEST FOR CURTAIN WALL (ALUM. EXTRUSIONS)

DATE : 13-JUL-20 SCALE : 1:40

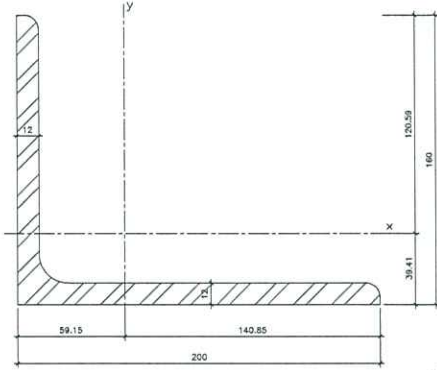
DRAWN BY : LHR CHECKED BY : DW

MIDI ALUMINIUM FABRICATOR LTD.  
Units 6-8, Sunray Industrial Centre, 1/F  
610 Cha Kwo Ling Road, Kowloon  
Tel: 23489211-4 Fax: (852) 27727666

DWG NO. : J852-SD-PT-1102 REV. : -

PROPERTIES

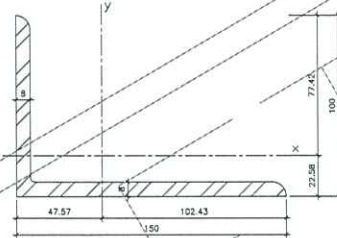
MEMBER : 200x160x12mm THK, G.M.S. ANGLE  
 GRADE : S275J0  
 FINISH : MILL



REGIONS	
Area (mm <sup>2</sup> ):	4223.47
Perimeter (mm):	708.27
Bounding Box - X (mm):	-59.15 to 142.85
Bounding Box - Y (mm):	-39.41 to 122.59
Centroid - X (mm):	0.00
Centroid - Y (mm):	0.00
Moment of inertia - X (mm <sup>4</sup> ):	1620581.74
Moment of inertia - Y (mm <sup>4</sup> ):	1842554.42
Product of inertia - XY (mm <sup>4</sup> ):	7420527.08
Radius of gyration - X (mm):	47.87
Radius of gyration - Y (mm):	63.31
Principal moments along X-Y (mm <sup>4</sup> ):	4323346.15 along [0.85 -0.53]
Principal moments along Y-X (mm <sup>4</sup> ):	21546280.01 along [0.53 0.85]
Elastic Modulus - Zx (mm <sup>3</sup> ):	1 / y-max= 79855.55
Elastic Modulus - Zy (mm <sup>3</sup> ):	1 / x-max= 11830.50

PROPERTIES

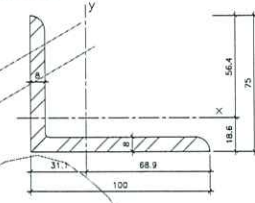
MEMBER : 200x160x12mm THK, G.M.S. ANGLE  
 GRADE : S275J0  
 FINISH : MILL



REGIONS	
Area (mm <sup>2</sup> ):	1829.39
Perimeter (mm):	492.37
Bounding Box - X (mm):	-47.57 to 102.43
Bounding Box - Y (mm):	-27.58 to 77.42
Centroid - X (mm):	0.00
Centroid - Y (mm):	0.00
Moment of inertia - X (mm <sup>4</sup> ):	1584240.52
Moment of inertia - Y (mm <sup>4</sup> ):	439230.33
Product of inertia - XY (mm <sup>4</sup> ):	1202043.19
Radius of gyration - X (mm):	28.80
Radius of gyration - Y (mm):	47.98
Principal moments along X-Y (mm <sup>4</sup> ):	864704.72 along [0.91 -0.41]
Principal moments along Y-X (mm <sup>4</sup> ):	5082172.34 along [0.41 0.91]
Elastic Modulus - Zx (mm <sup>3</sup> ):	1 / y-max= 20463.35
Elastic Modulus - Zy (mm <sup>3</sup> ):	1 / x-max= 42884.42

PROPERTIES

MEMBER : 200x160x12mm THK, G.M.S. ANGLE  
 GRADE : S275J0  
 FINISH : MILL

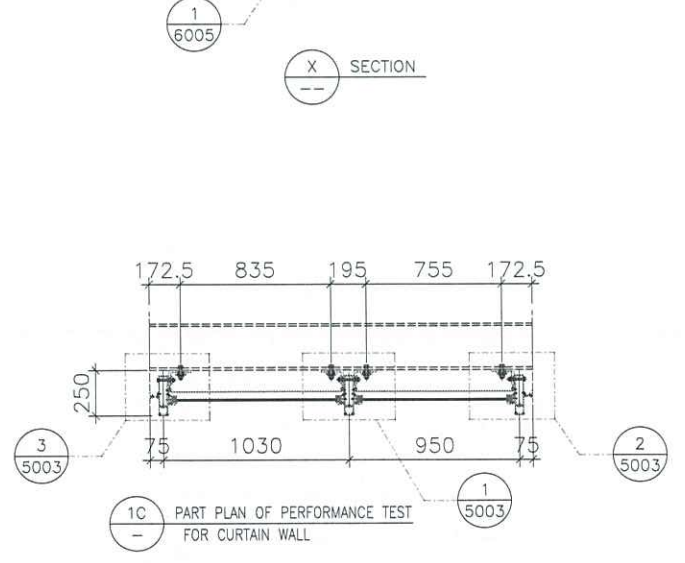
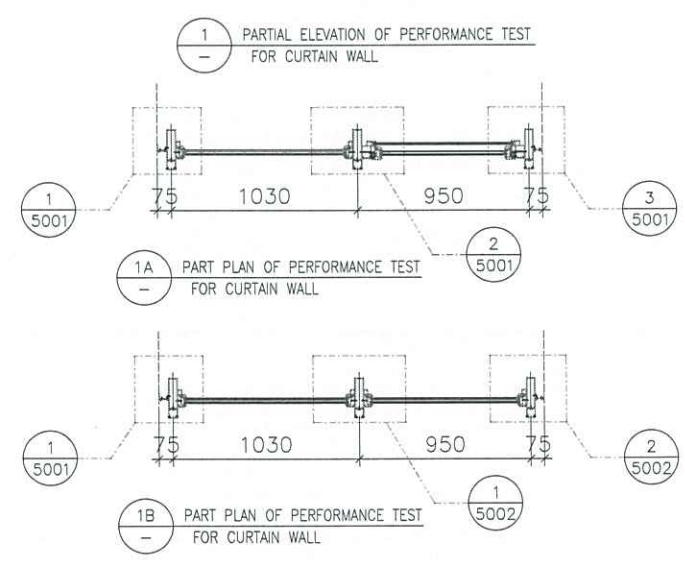
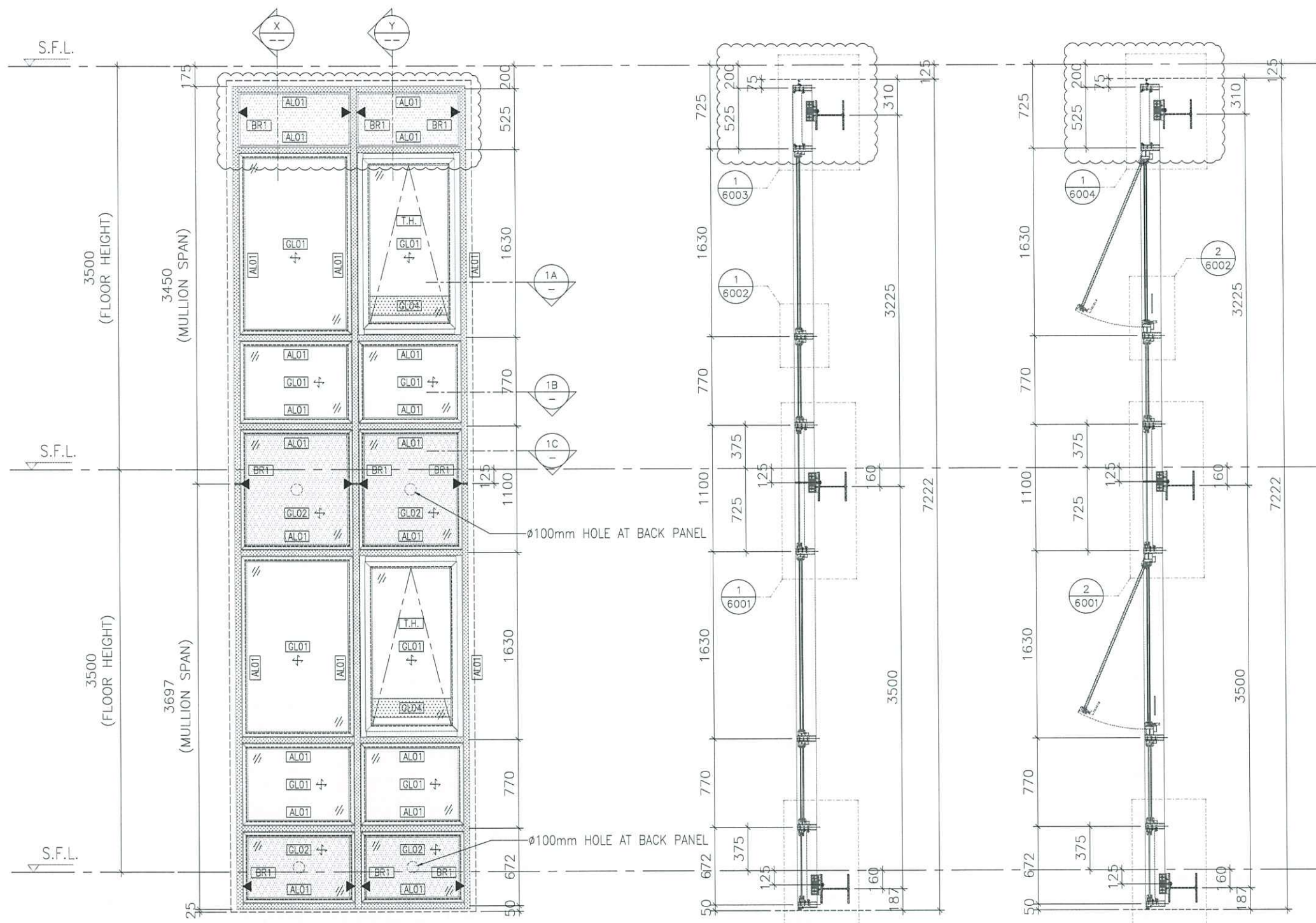


REGIONS	
Area (mm <sup>2</sup> ):	329.39
Perimeter (mm):	342.27
Bounding Box - X (mm):	-31.10 to 68.90
Bounding Box - Y (mm):	-18.60 to 56.40
Centroid - X (mm):	0.00
Centroid - Y (mm):	0.00
Moment of inertia - X (mm <sup>4</sup> ):	93252.12
Moment of inertia - Y (mm <sup>4</sup> ):	278946.79
Product of inertia - XY (mm <sup>4</sup> ):	32009.34
Radius of gyration - X (mm):	21.84
Radius of gyration - Y (mm):	31.25
Principal moments along X-Y (mm <sup>4</sup> ):	15173.05 along [0.89 -0.48]
Principal moments along Y-X (mm <sup>4</sup> ):	136511.33 along [0.48 0.89]
Elastic Modulus - Zx (mm <sup>3</sup> ):	1 / y-max= 5873.10
Elastic Modulus - Zy (mm <sup>3</sup> ):	1 / x-max= 18513.33

B.D. REF :

CLIENT :

ARCHITECT :  
**AGC DESIGN LTD**  
 181, 183, 185, 187, 189, 191, 193, 195, 197, 199, 201, 203, 205, 207, 209, 211, 213, 215, 217, 219, 221, 223, 225, 227, 229, 231, 233, 235, 237, 239, 241, 243, 245, 247, 249, 251, 253, 255, 257, 259, 261, 263, 265, 267, 269, 271, 273, 275, 277, 279, 281, 283, 285, 287, 289, 291, 293, 295, 297, 299, 301, 303, 305, 307, 309, 311, 313, 315, 317, 319, 321, 323, 325, 327, 329, 331, 333, 335, 337, 339, 341, 343, 345, 347, 349, 351, 353, 355, 357, 359, 361, 363, 365, 367, 369, 371, 373, 375, 377, 379, 381, 383, 385, 387, 389, 391, 393, 395, 397, 399, 401, 403, 405, 407, 409, 411, 413, 415, 417, 419, 421, 423, 425, 427, 429, 431, 433, 435, 437, 439, 441, 443, 445, 447, 449, 451, 453, 455, 457, 459, 461, 463, 465, 467, 469, 471, 473, 475, 477, 479, 481, 483, 485, 487, 489, 491, 493, 495, 497, 499, 501, 503, 505, 507, 509, 511, 513, 515, 517, 519, 521, 523, 525, 527, 529, 531, 533, 535, 537, 539, 541, 543, 545, 547, 549, 551, 553, 555, 557, 559, 561, 563, 565, 567, 569, 571, 573, 575, 577, 579, 581, 583, 585, 587, 589, 591, 593, 595, 597, 599, 601, 603, 605, 607, 609, 611, 613, 615, 617, 619, 621, 623, 625, 627, 629, 631, 633, 635, 637, 639, 641, 643, 645, 647, 649, 651, 653, 655, 657, 659, 661, 663, 665, 667, 669, 671, 673, 675, 677, 679, 681, 683, 685, 687, 689, 691, 693, 695, 697, 699, 701, 703, 705, 707, 709, 711, 713, 715, 717, 719, 721, 723, 725, 727, 729, 731, 733, 735, 737, 739, 741, 743, 745, 747, 749, 751, 753, 755, 757, 759, 761, 763, 765, 767, 769, 771, 773, 775, 777, 779, 781, 783, 785, 787, 789, 791, 793, 795, 797, 799, 801, 803, 805, 807, 809, 811, 813, 815, 817, 819, 821, 823, 825, 827, 829, 831, 833, 835, 837, 839, 841, 843, 845, 847, 849, 851, 853, 855, 857, 859, 861, 863, 865, 867, 869, 871, 873, 875, 877, 879, 881, 883, 885, 887, 889, 891, 893, 895, 897, 899, 901, 903, 905, 907, 909, 911, 913, 915, 917, 919, 921, 923, 925, 927, 929, 931, 933, 935, 937, 939, 941, 943, 945, 947, 949, 951, 953, 955, 957, 959, 961, 963, 965, 967, 969, 971, 973, 975, 977, 979, 981, 983, 985, 987, 989, 991, 993, 995, 997, 999, 1001, 1003, 1005, 1007, 1009, 1011, 1013, 1015, 1017, 1019, 1021, 1023, 1025, 1027, 1029, 1031, 1033, 1035, 1037, 1039, 1041, 1043, 1045, 1047, 1049, 1051, 1053, 1055, 1057, 1059, 1061, 1063, 1065, 1067, 1069, 1071, 1073, 1075, 1077, 1079, 1081, 1083, 1085, 1087, 1089, 1091, 1093, 1095, 1097, 1099, 1101, 1103, 1105, 1107, 1109, 1111, 1113, 1115, 1117, 1119, 1121, 1123, 1125, 1127, 1129, 1131, 1133, 1135, 1137, 1139, 1141, 1143, 1145, 1147, 1149, 1151, 1153, 1155, 1157, 1159, 1161, 1163, 1165, 1167, 1169, 1171, 1173, 1175, 1177, 1179, 1181, 1183, 1185, 1187, 1189, 1191, 1193, 1195, 1197, 1199, 1201, 1203, 1205, 1207, 1209, 1211, 1213, 1215, 1217, 1219, 1221, 1223, 1225, 1227, 1229, 1231, 1233, 1235, 1237, 1239, 1241, 1243, 1245, 1247, 1249, 1251, 1253, 1255, 1257, 1259, 1261, 1263, 1265, 1267, 1269, 1271, 1273, 1275, 1277, 1279, 1281, 1283, 1285, 1287, 1289, 1291, 1293, 1295, 1297, 1299, 1301, 1303, 1305, 1307, 1309, 1311, 1313, 1315, 1317, 1319, 1321, 1323, 1325, 1327, 1329, 1331, 1333, 1335, 1337, 1339, 1341, 1343, 1345, 1347, 1349, 1351, 1353, 1355, 1357, 1359, 1361, 1363, 1365, 1367, 1369, 1371, 1373, 1375, 1377, 1379, 1381, 1383, 1385, 1387, 1389, 1391, 1393, 1395, 1397, 1399, 1401, 1403, 1405, 1407, 1409, 1411, 1413, 1415, 1417, 1419, 1421, 1423, 1425, 1427, 1429, 1431, 1433, 1435, 1437, 1439, 1441, 1443, 1445, 1447, 1449, 1451, 1453, 1455, 1457, 1459, 1461, 1463, 1465, 1467, 1469, 1471, 1473, 1475, 1477, 1479, 1481, 1483, 1485, 1487, 1489, 1491, 1493, 1495, 1497, 1499, 1501, 1503, 1505, 1507, 1509, 1511, 1513, 1515, 1517, 1519, 1521, 1523, 1525, 1527, 1529, 1531, 1533, 1535, 1537, 1539, 1541, 1543, 1545, 1547, 1549, 1551, 1553, 1555, 1557, 1559, 1561, 1563, 1565, 1567, 1569, 1571, 1573, 1575, 1577, 1579, 1581, 1583, 1585, 1587, 1589, 1591, 1593, 1595, 1597, 1599, 1601, 1603, 1605, 1607, 1609, 1611, 1613, 1615, 1617, 1619, 1621, 1623, 1625, 1627, 1629, 1631, 1633, 1635, 1637, 1639, 1641, 1643, 1645, 1647, 1649, 1651, 1653, 1655, 1657, 1659, 1661, 1663, 1665, 1667, 1669, 1671, 1673, 1675, 1677, 1679, 1681, 1683, 1685, 1687, 1689, 1691, 1693, 1695, 1697, 1699, 1701, 1703, 1705, 1707, 1709, 1711, 1713, 1715, 1717, 1719, 1721, 1723, 1725, 1727, 1729, 1731, 1733, 1735, 1737, 1739, 1741, 1743, 1745, 1747, 1749, 1751, 1753, 1755, 1757, 1759, 1761, 1763, 1765, 1767, 1769, 1771, 1773, 1775, 1777, 1779, 1781, 1783, 1785, 1787, 1789, 1791, 1793, 1795, 1797, 1799, 1801, 1803, 1805, 1807, 1809, 1811, 1813, 1815, 1817, 1819, 1821, 1823, 1825, 1827, 1829, 1831, 1833, 1835, 1837, 1839, 1841, 1843, 1845, 1847, 1849, 1851, 1853, 1855, 1857, 1859, 1861, 1863, 1865, 1867, 1869, 1871, 1873, 1875, 1877, 1879, 1881, 1883, 1885, 1887, 1889, 1891, 1893, 1895, 1897, 1899, 1901, 1903, 1905, 1907, 1909, 1911, 1913, 1915, 1917, 1919, 1921, 1923, 1925, 1927, 1929, 1931, 1933, 1935, 1937, 1939, 1941, 1943, 1945, 1947, 1949, 1951, 1953, 1955, 1957, 1959, 1961, 1963, 1965, 1967, 1969, 1971, 1973, 1975, 1977, 1979, 1981, 1983, 1985, 1987, 1989, 1991, 1993, 1995, 1997, 1999, 2001, 2003, 2005, 2007, 2009, 2011, 2013, 2015, 2017, 2019, 2021, 2023, 2025, 2027, 2029, 2031, 2033, 2035, 2037, 2039, 2041, 2043, 2045, 2047, 2049, 2051, 2053, 2055, 2057, 2059, 2061, 2063, 2065, 2067, 2069, 2071, 2073, 2075, 2077, 2079, 2081, 2083, 2085, 2087, 2089, 2091, 2093, 2095, 2097, 2099, 2101, 2103, 2105, 2107, 2109, 2111, 2113, 2115, 2117, 2119, 2121, 2123, 2125, 2127, 2129, 2131, 2133, 2135, 2137, 2139, 2141, 2143, 2145, 2147, 2149, 2151, 2153, 2155, 2157, 2159, 2161, 2163, 2165, 2167, 2169, 2171, 2173, 2175, 2177, 2179, 2181, 2183, 2185, 2187, 2189, 2191, 2193, 2195, 2197, 2199, 2201, 2203, 2205, 2207, 2209, 2211, 2213, 2215, 2217, 2219, 2221, 2223, 2225, 2227, 2229, 2231, 2233, 2235, 2237, 2239, 2241, 2243, 2245, 2247, 2249, 2251, 2253, 2255, 2257, 2259, 2261, 2263, 2265, 2267, 2269, 2271, 2273, 2275, 2277, 2279, 2281, 2283, 2285, 2287, 2289, 2291, 2293, 2295, 2297, 2299, 2301, 2303, 2305, 2307, 2309, 2311, 2313, 2315, 2317, 2319, 2321, 2323, 2325, 2327, 2329, 2331, 2333, 2335, 2337, 2339, 2341, 2343, 2345, 2347, 2349, 2351, 2353, 2355, 2357, 2359, 2361, 2363, 2365, 2367, 2369, 2371, 2373, 2375, 2377, 2379, 2381, 2383, 2385, 2387, 2389, 2391, 2393, 2395, 2397, 2399, 2401, 2403, 2405, 2407, 2409, 2411, 2413, 2415, 2417, 2419, 2421, 2423, 2425, 2427, 2429, 2431, 2433, 2435, 2437, 2439, 2441, 2443, 2445, 2447, 2449, 2451, 2453, 2455, 2457, 2459, 2461, 2463, 2465, 2467, 2469, 2471, 2473, 2475, 2477, 2479, 2481, 2483, 2485, 2487, 2489, 2491, 2493, 2495, 2497, 2499, 2501, 2503, 2505, 2507, 2509, 2511, 2513, 2515, 2517, 2519, 2521, 2523, 2525, 2527, 2529, 2531, 2533, 2535, 2537, 2539, 2541, 2543, 2545, 2547, 2549, 2551, 2553, 2555, 2557, 2559, 2561, 2563, 2565, 2567, 2569, 2571, 2573, 2575, 2577, 2579, 2581, 2583, 2585, 2587, 2589, 2591, 2593, 2595, 2597, 2599, 2601, 2603, 2605, 2607, 2609, 2611, 2613, 2615, 2617, 2619, 2621, 2623, 2625, 2627, 2629, 2631, 2633, 2635, 2637, 2639, 2641, 2643, 2645, 2647, 2649, 2651, 2653, 2655, 2657, 2659, 2661, 2663, 2665, 2667, 2669, 2671, 2673, 2675, 2677, 2679, 2681, 2683, 2685, 2687, 2689, 2691, 2693, 2695, 2697, 2699, 2701, 2703, 2705, 2707, 2709, 2711, 2713, 2715, 2717, 2719, 2721, 2723, 2725, 2727, 2729, 2731, 2733, 2735, 2737, 2739, 2741, 2743, 2745, 2747, 2749, 2751, 2753, 2755, 2757, 2759, 2761, 2763, 2765, 2767, 2769, 2771, 2773, 2775, 2777, 2779, 2781, 2783, 2785, 2787, 2789, 2791, 2793, 2795, 2797, 2799, 2801, 2803, 2805, 2807, 2809, 2811, 2813, 2815, 2817, 2819, 2821, 2823, 2825, 2827, 2829, 2831, 2833, 2835, 2837, 2839, 2841, 2843, 2845, 2847, 2849, 2851, 2853, 2855, 2857, 2859, 2861, 2863, 2865, 2867, 2869, 2871, 2873, 2875, 2877, 2879, 2881, 2883, 2885, 2887, 2889, 2891, 2893, 2895, 2897, 2899, 2901, 2903, 2905, 2907, 2909, 2911, 2913, 2915, 2917, 2919, 2921, 2923, 2925, 2927, 2929, 2931, 2933, 2935, 2937, 2939, 2941, 2943, 2945, 2947, 2949, 2951, 2953, 2955, 2957, 2959, 2961, 2963, 2965, 2967, 2969, 2971, 2973, 2975, 2977, 2979, 2981, 2983, 2985, 2987, 2989, 2991, 2993, 2995, 2997, 2999, 3001, 3003, 3005, 3007, 3009, 3011, 3013, 3015, 3017, 3019, 3021, 3023, 3025, 3027, 3029, 3031, 3033, 3035, 3037, 3039, 3041, 3043, 3045, 3047, 3049, 3051, 3053, 3055, 3057, 3059, 3061, 3063, 3065, 3067, 3069, 3071, 3073, 3075, 3077, 3079, 3081, 3083, 3085, 3087, 3089, 3091, 3093, 3095, 3097, 3099, 3101, 3103, 3105, 3107, 3109, 3111, 3113, 3115, 3117, 3119, 3121, 3123, 3125, 3127, 3129, 3131, 3133, 3135, 3137, 3139, 3141, 3143, 3145, 3147, 3149, 3151, 3153, 3155, 3157, 3159, 3161, 3163, 3165, 3167, 3169, 3171, 3173, 3175, 3177, 3179, 3181, 3183, 3185, 3187, 3189, 3191, 3193, 3195, 3197, 3199, 3201, 3203, 3205, 3207, 3209, 3211, 3213, 3215, 3217, 3219, 3221, 3223, 3225, 3227, 3229, 3231, 3233, 3235, 3237, 3239, 3241, 3243, 3245, 3247, 3249, 3251, 3253, 3255, 3257, 3259, 3261, 3263, 3265, 3267, 3269, 3271, 3273, 3275, 3277, 3279, 3281, 3283, 3285, 3287, 3289, 3291, 3293, 3295, 3297, 3299, 3301, 3303, 3305, 3307, 3309, 3311, 3313, 3315, 3317, 3319, 3321, 3323, 3325, 3327, 3329, 3331, 3333, 3335, 3337, 3339, 3341, 3343, 3345, 3347, 3349, 3351, 3353, 3355, 3357, 3359, 3361, 3363, 3365, 3367, 3369, 3371, 3373, 3375, 3377, 3379, 3381, 3383, 3385, 3387, 3389, 3391, 3393, 3395, 3397, 3399, 3401, 3403, 3405, 3407, 3409, 3411, 3413, 3415, 3417, 3419, 3421, 3423, 3425, 3427, 3429, 3431, 3433, 3435, 3437, 3439, 3441, 3443, 3445, 3447, 3449, 3451, 3453, 3455, 3457, 3459, 3461, 3463, 3465, 3467, 3469, 3471, 3473, 3475, 3477, 3479, 3481, 3483, 3485, 3487, 3489, 3491, 3493, 3495, 3497, 3499, 3501, 3503, 3505, 3507, 3509, 3511, 3513, 3515, 3517, 3519, 3521, 3523, 3525, 3527, 3529, 3531, 3533, 3535, 3537, 3539, 3541, 3543, 3545, 3547, 3549, 3551, 3553, 3555, 3557



B.D. REF :

CLIENT :

ARCHITECT :  
**AGC DESIGN LTD**  
 187, Chung Ping, 238 King's Road, 18th Floor, King King Building, Hong Kong  
 Tel: (852)2771-1111 Fax: (852)2771-1111 Email: agc@agc.com.hk

MAIN CONTRACTOR :  
**Gammon**

STRUCTURAL ENGINEER :  
**ARUP**

FAÇADE CONSULTANT:  
**MEIN-HARDT**

NOTE :  
 1. ALL DIMENSIONS ARE IN mm.  
 2. ALL ELEVATIONS ARE VIEWED FROM OUTSIDE.  
 3. ALL DIMENSIONS TO BE VERIFIED ON SITE BEFORE FABRICATION.

LEGEND :  
 X1 — DETAIL MARK NO.  
 X001 — REFER SHEET NO.

1. F.F.L. — FINISHED FLOOR LEVEL  
 2. S.F.L. — STRUCTURAL FLOOR LEVEL  
 3. (B) — REVERSED DETAIL  
 4. GLASS LEGEND  
 AL01 ALUM EXTRUSION MARK: REFER TO DRAWING: 1101&1102  
 GL01 (VISION GLASS): 8mm HEAT STRENGTHENED+12mm AIR GAP +10mm THK. CLEAR TEMPERED I.G.U.  
 GL02 (SPANDREL GLASS): 10mm THK. HEAT STRENGTHENED GLASS  
 GL04 (PROTECTIVE BARRIER): 10mm THK. TEMPERED GLASS  
 + GLASS SPAN DIRECTION  
 5. FIXING LOCATION  
 (BR1) FIXING LOCATION

A	28-10-2020	REVISION SUBJECT TO ARCH. COMMENT	MN
NO.	DATE	REVISED	BY

JOB NO. : J-852

PROJECT :  
 PROPOSED RESIDENTIAL DEVELOPMENT  
 AT 139 - 147 ARGYLE STREET,  
 NKIL 6005, 6035 R.P., 6036 R.P.,  
 6037 R.P. & 6038 R.P.

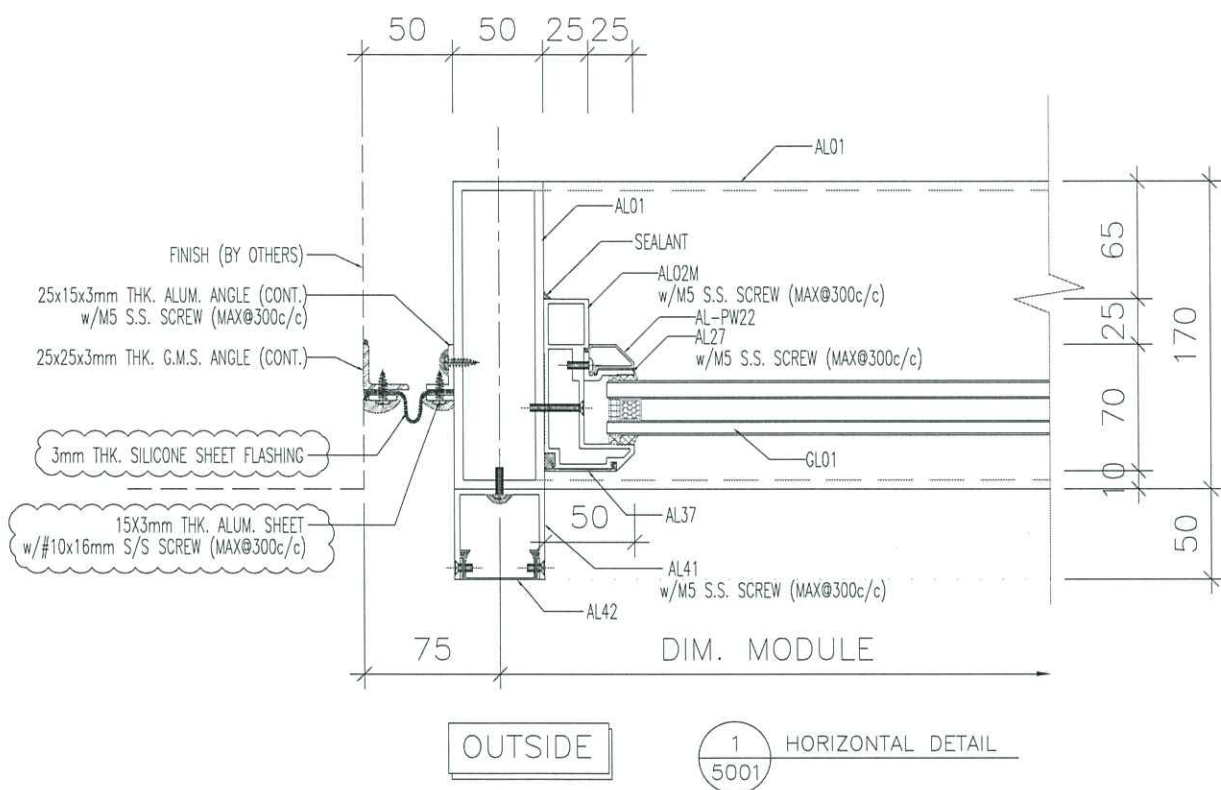
TITLE :  
 ELEVATION  
 OF PERFORMANCE TEST  
 FOR CURTAIN WALL

DATE : 13-Jul-20 SCALE : 1:40

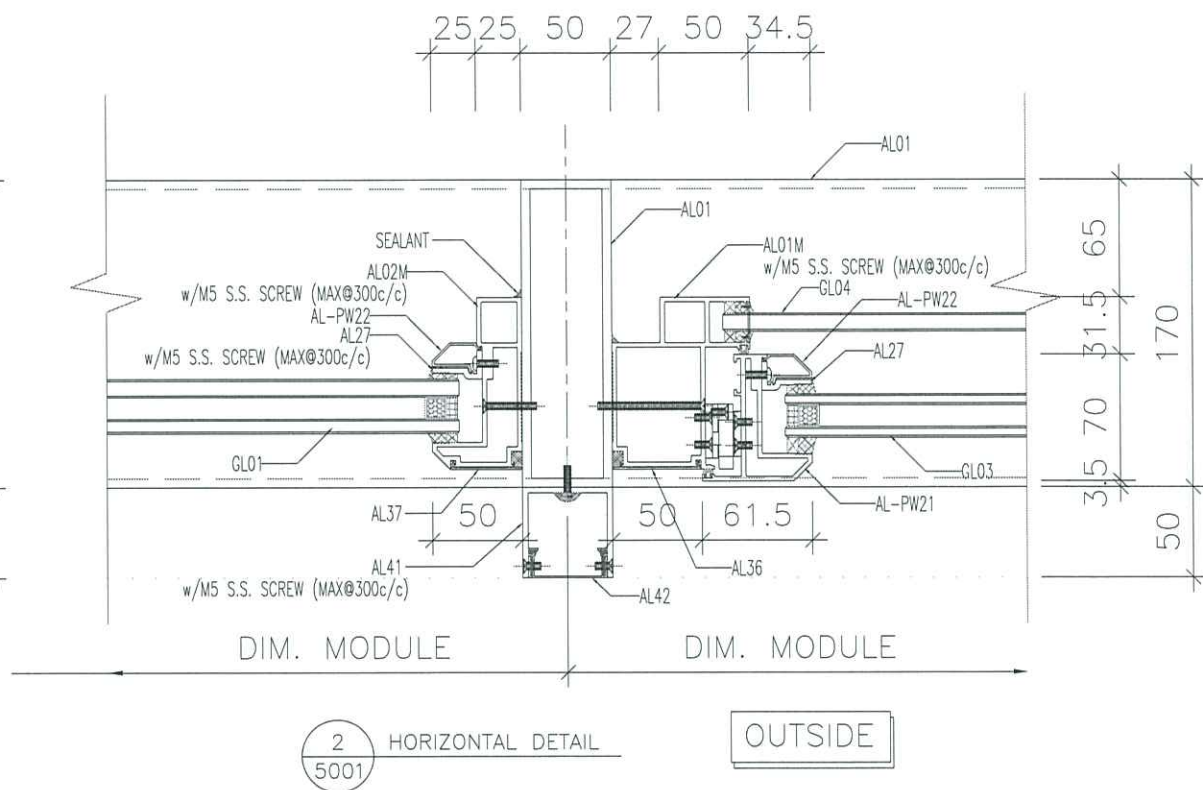
DRAWN BY : LHR CHECKED BY : DW

**美特鋁質有限公司**  
**MIDI ALUMINIUM FABRICATOR LTD.**  
 Units 6-8, Sunny Industrial Centre, 1/F  
 610 Cha Kwo Ling Road, Kowloon  
 Tel: 23489211-4 Fax: (852)27727666

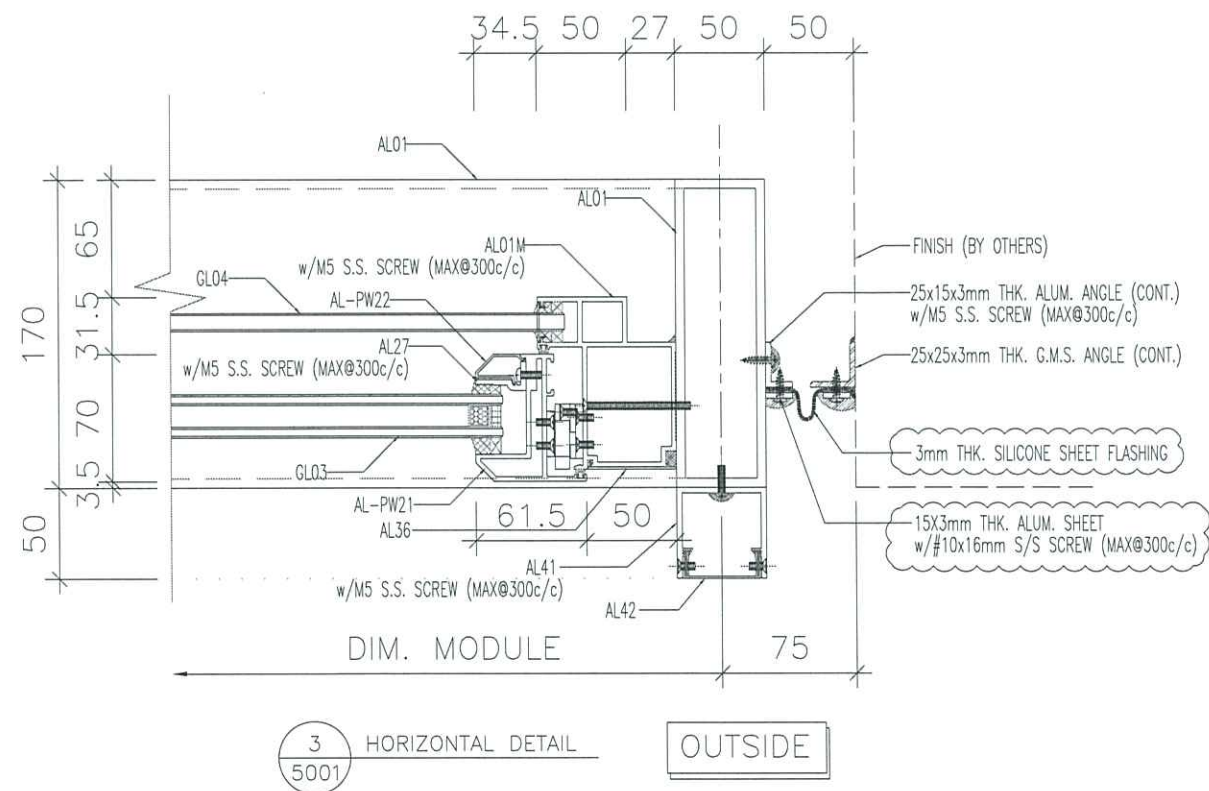
DWG NO. : JB52-SD-PT-4001 REV. : A



1 HORIZONTAL DETAIL  
5001



2 HORIZONTAL DETAIL  
5001



3 HORIZONTAL DETAIL  
5001

B.D. REF :  
CLIENT :

ARCHITECT :  
**AGC DESIGN LTD**

MAIN CONTRACTOR :  
**Gammon**

STRUCTURAL ENGINEER :  
**ARUP**

FACADE CONSULTANT :  
**MEIN-HARDT**

NOTE :  
1. ALL DIMENSIONS ARE IN mm.  
2. ALL ELEVATIONS ARE VIEWED FROM OUTSIDE.  
3. ALL DIMENSIONS TO BE VERIFIED ON SITE BEFORE FABRICATION.

LEGEND :  
X1 — DETAIL MARK NO.  
X001 — REFER SHEET NO.  
1. F.F.L. — FINISHED FLOOR LEVEL  
2. S.F.L. — STRUCTURAL FLOOR LEVEL  
3. (B) — REVERSED DETAIL  
4. GLASS LEGEND  
AL01 ALUM EXTRUSION MARK: REFER TO DRAWING: 1101&1102  
GLO1 (VISION GLASS): 8mm HEAT STRENGTHENED+12mm AIR GAP +10mm THK. CLEAR TEMPERED I.G.U.  
GLO2 (SPANDREL GLASS): 10mm THK. HEAT STRENGTHENED GLASS  
GLO4 (PROTECTIVE BARRIER): 10mm THK. TEMPERED GLASS  
+ GLASS SPAN DIRECTION  
5. FIXING LOCATION  
BRT FIXING LOCATION

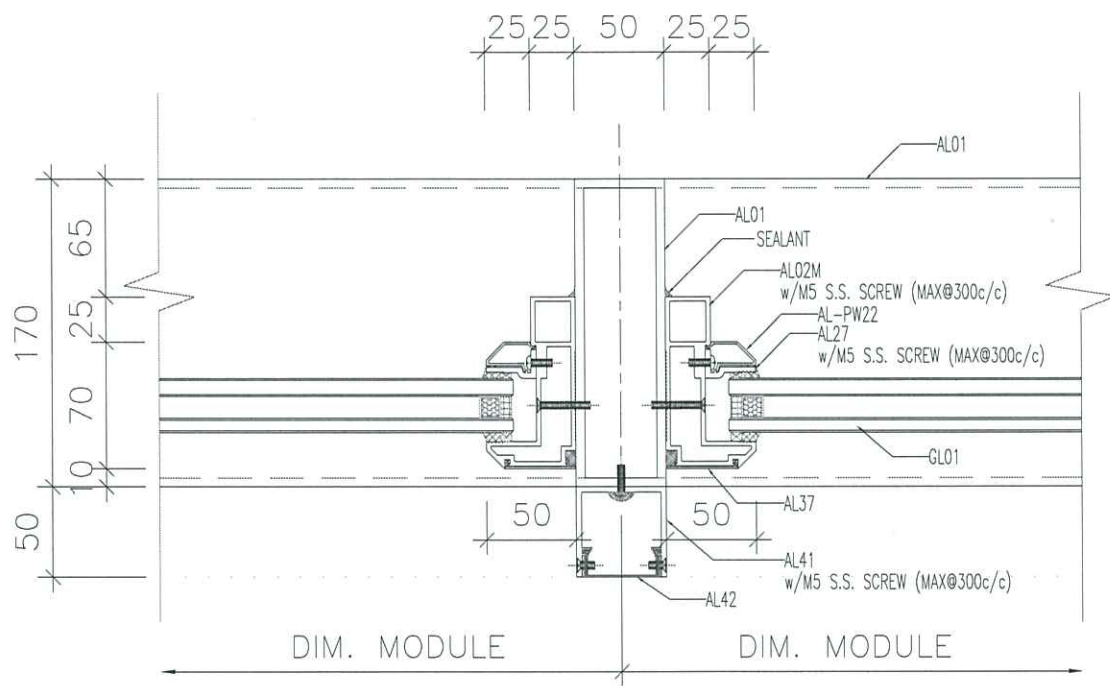
A	28-10-2020	REVISION SUBJECT TO COMMENTS	MN
NO.	DATE	REVISION	BY

JOB NO. : J-852  
PROJECT : PROPOSED RESIDENTIAL DEVELOPMENT AT 139 - 147 ARGYLE STREET, NKIL 6005, 6035 R.P., 6036 R.P., 6037 R.P. & 6038 R.P.

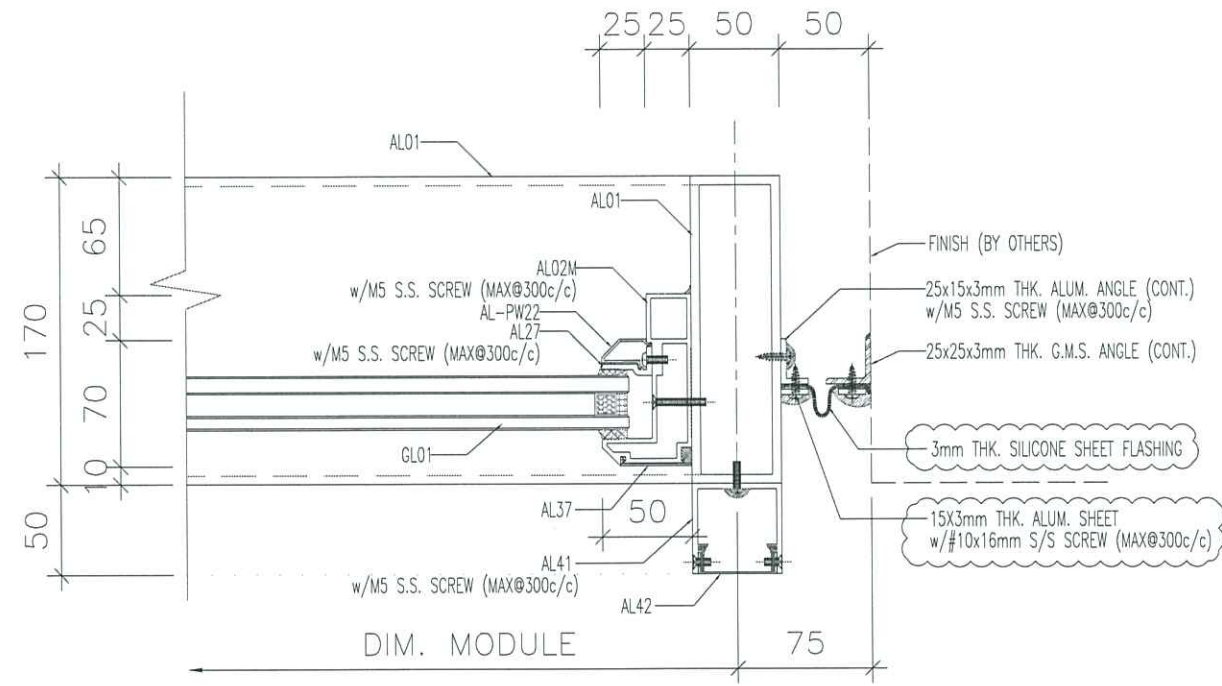
TITLE : TYPICAL DETAILS FOR CURTAIN WALL

DATE : 13-Jul-20 SCALE : 1:4  
DRAWN BY : LHR CHECKED BY : DW

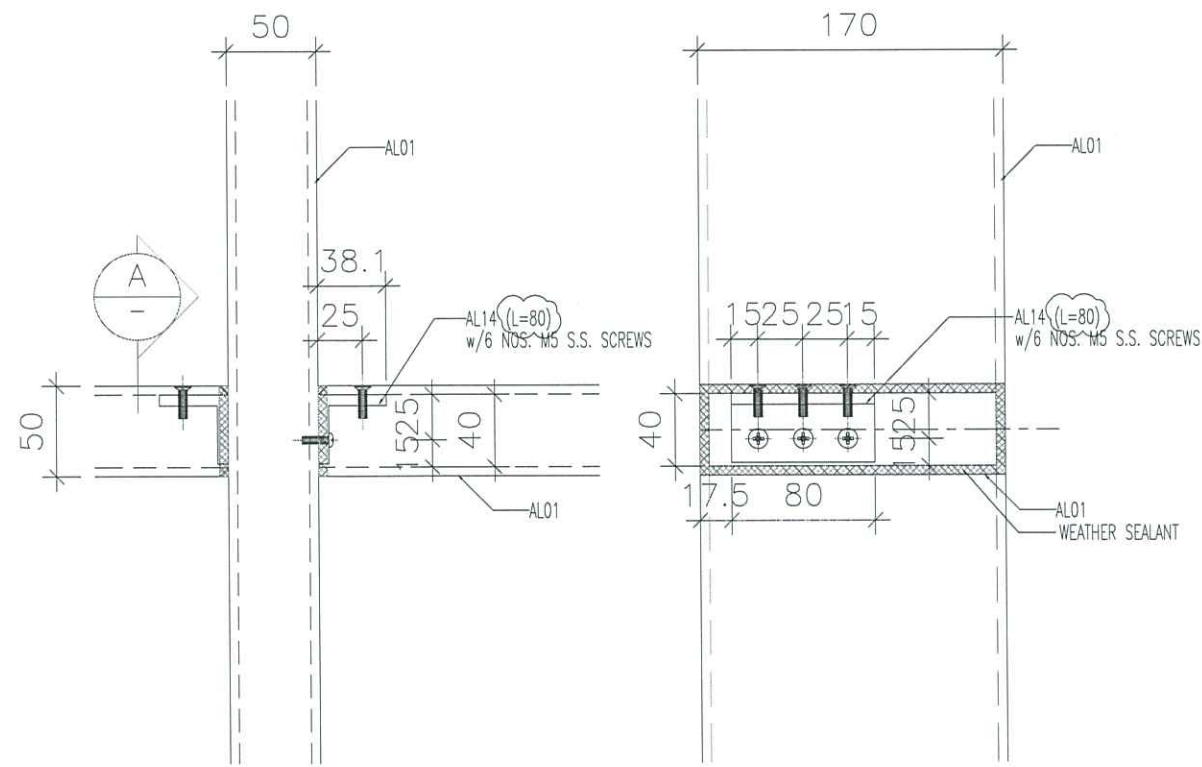
**美特鋁質有限公司**  
**MIDI ALUMINIUM FABRICATOR LTD.**  
Units 6-8, Sunray Industrial Centre, 1/F  
610 Cha Kwo Ling Road, Kowloon  
Tel:23489211-4 Fax:(852)2727666  
DWG NO. : J852-SD-PT-5001 REV. : A



1 HORIZONTAL DETAIL OUTSIDE  
5002



2 HORIZONTAL DETAIL OUTSIDE  
5002



3 CONNECTION DETAIL MULLION & TRANSOM  
5002

B.D. REF :

CLIENT :

ARCHITECT :  
**AGC DESIGN LTD**

MAIN CONTRACTOR :  
**Gammon**

STRUCTURAL ENGINEER :  
**ARUP**

FACADE CONSULTANT :  
**MEINHARDT**

NOTE :  
1. ALL DIMENSIONS ARE IN mm.  
2. ALL ELEVATIONS ARE VIEWED FROM OUTSIDE.  
3. ALL DIMENSIONS TO BE VERIFIED ON SITE BEFORE FABRICATION.

LEGEND :

X1 - DETAIL MARK NO.  
X001 - REFER SHEET NO.

1. F.F.L. -- FINISHED FLOOR LEVEL  
2. S.F.L. -- STRUCTURAL FLOOR LEVEL  
3. (R) -- REVERSED DETAIL

4. GLASS LEGEND  
[AL01] ALUM EXTRUSION MARK: REFER TO DRAWING: 1101&1102  
[GLO1] GLO1 (VISION GLASS): 8mm HEAT STRENGTHENED+12mm AIR GAP +10mm THK. CLEAR TEMPERED I.G.U.  
[GLO2] GLO2 (SPANDREL GLASS): 10mm THK. HEAT STRENGTHENED GLASS  
[GLO4] GLO4 (PROTECTIVE BARRIER): 10mm THK. TEMPERED GLASS  
+ GLASS SPAN DIRECTION  
5. FIXING LOCATION  
◀ [BRT] FIXING LOCATION

NO.	DATE	REVISION SUBJECT TO COMMENTS	BY
A	28-10-2020	REVISION SUBJECT TO COMMENTS	MN
		REVISED	BY

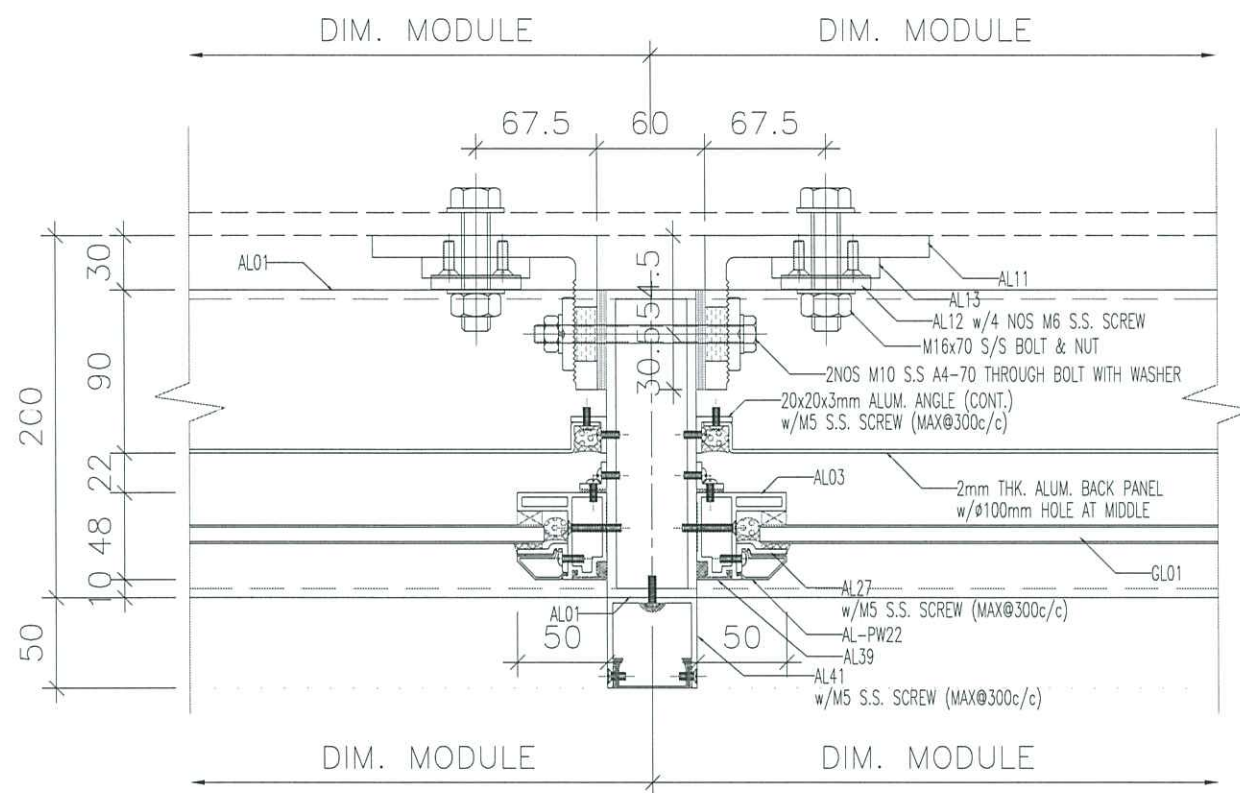
JOB NO. : J-852  
PROJECT : PROPOSED RESIDENTIAL DEVELOPMENT AT 139 - 147 ARGYLE STREET, NKIL 6005, 6035 R.P., 6036 R.P., 6037 R.P. & 6038 R.P.

TITLE : TYPICAL DETAILS FOR CURTAIN WALL

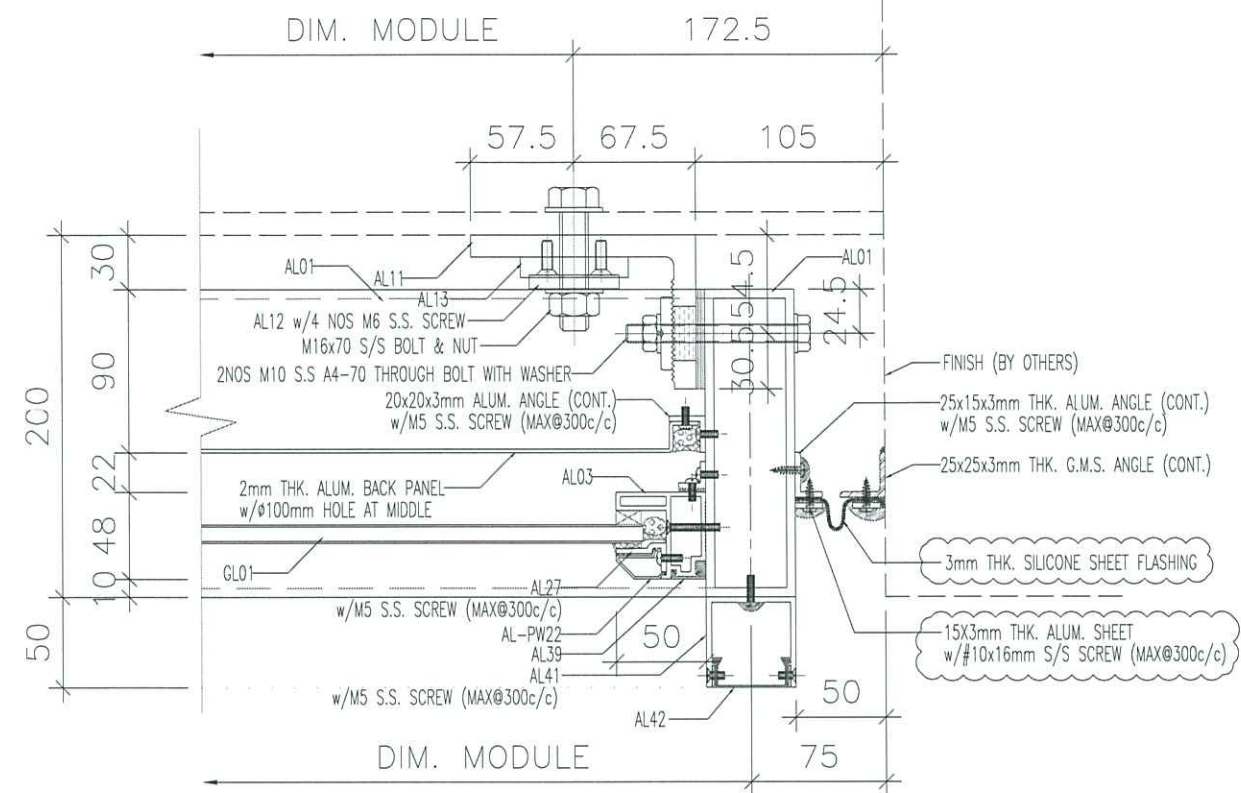
DATE : 13-Jul-20 SCALE : 1:4  
DRAWN BY : LHR CHECKED BY : DW

**美特鋁質有限公司**  
MIDI ALUMINIUM FABRICATOR LTD.  
Units 6-8, Sunray Industrial Centre, 1/F  
610 Cha Kwo Ling Road, Kowloon  
Tel:23489211-4 Fax:(852)2727666

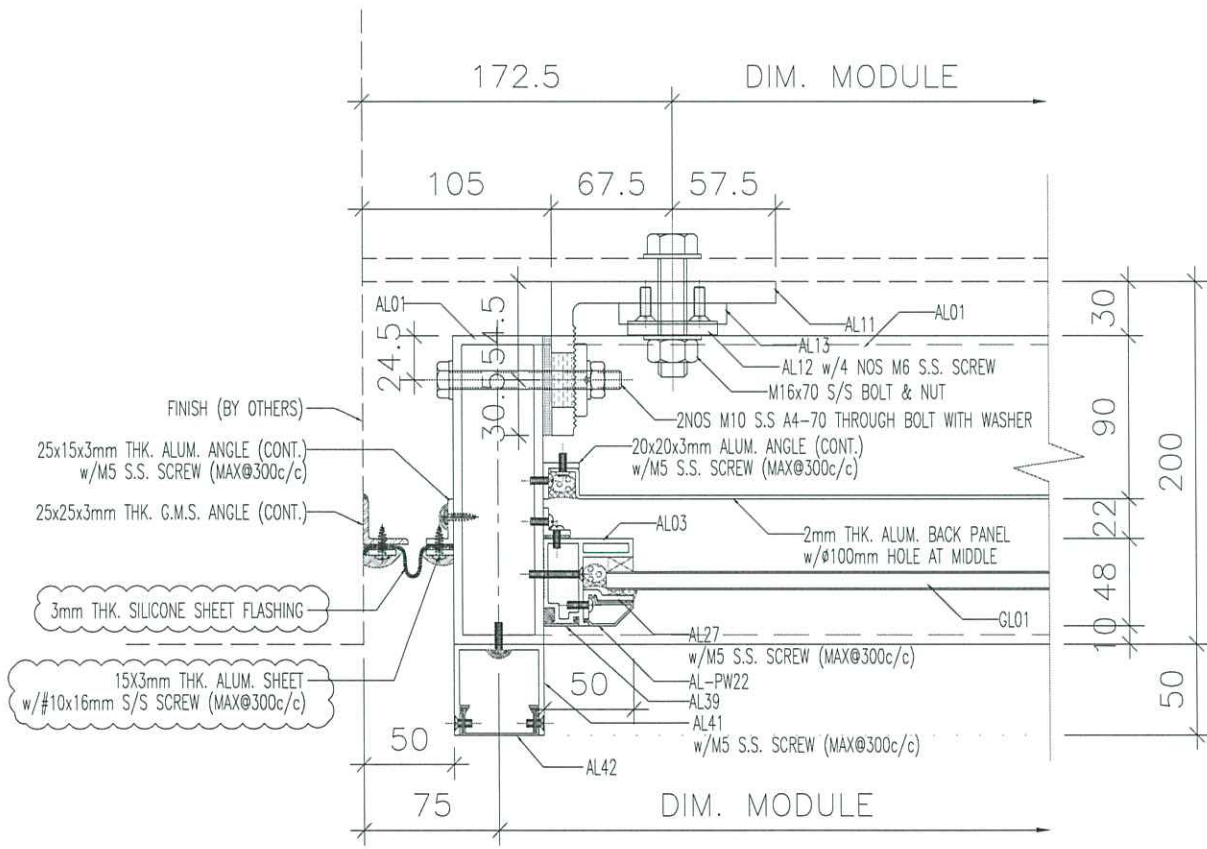
DWG NO. : J852-SD-PT-5002 REV. : A



1 HORIZONTAL DETAIL  
5003 BR1 OUTSIDE



2 HORIZONTAL DETAIL  
5003 BR1 OUTSIDE



3 HORIZONTAL DETAIL  
5003 BR1 OUTSIDE

B.D. REF :

CLIENT :

ARCHITECT :  
**AGC DESIGN LTD**

MAIN CONTRACTOR :  
**Gammon**

STRUCTURAL ENGINEER :  
**ARUP**

FAÇADE CONSULTANT:  
**MEIN-HARDT**

NOTE:  
1. ALL DIMENSIONS ARE IN mm.  
2. ALL ELEVATIONS ARE VIEWED FROM OUTSIDE.  
3. ALL DIMENSIONS TO BE VERIFIED ON SITE BEFORE FABRICATION.

LEGEND:  
X1 - DETAIL MARK NO.  
X001 - REFER SHEET NO.

1. F.F.L. -- FINISHED FLOOR LEVEL  
2. S.F.L. -- STRUCTURAL FLOOR LEVEL  
3. /R -- REVERSED DETAIL  
4. GLASS LEGEND  
AL01 ALUM EXTRUSION MARK: REFER TO DRAWING: 1101&1102  
GL01 GL01 (VISION GLASS): 8mm HEAT STRENGTHENED+12mm AIR GAP +10mm THK. CLEAR TEMPERED I.G.U.  
GL02 GL02 (SPANDREL GLASS): 10mm THK. HEAT STRENGTHENED GLASS  
GL04 GL04 (PROTECTIVE BARRIER): 10mm THK. TEMPERED GLASS  
+ GLASS SPAN DIRECTION  
5. FIXING LOCATION  
BRT FIXING LOCATION

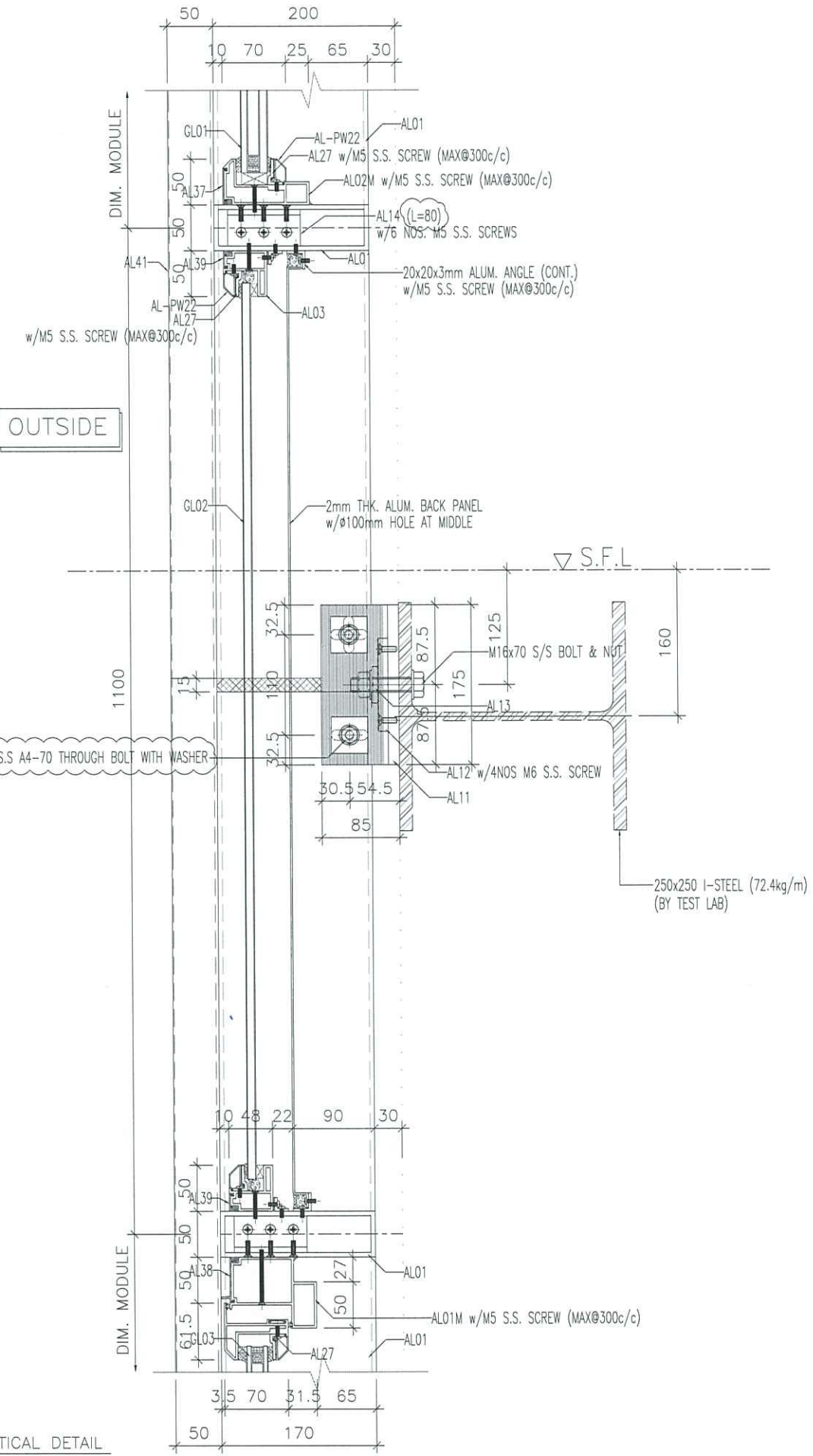
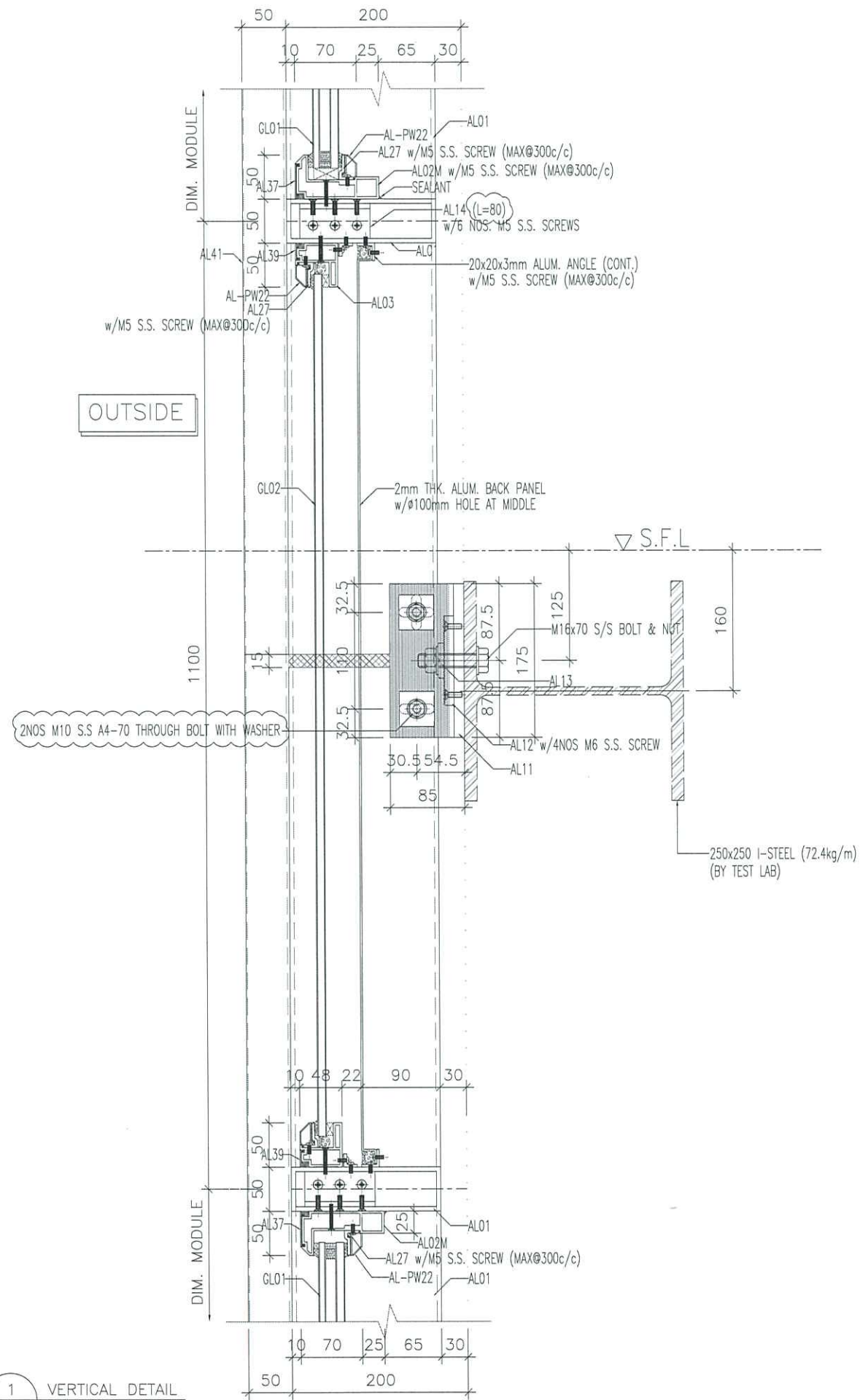
NO.	DATE	REVISION SUBJECT TO COMMENTS	BY
A	28-10-2020	REVISION SUBJECT TO COMMENTS	MN
		REVISED	BY

JOB NO. : J-852  
PROJECT : PROPOSED RESIDENTIAL DEVELOPMENT AT 139 - 147 ARGYLE STREET, NKIL 6005, 6035 R.P., 6036 R.P., 6037 R.P. & 6038 R.P.

TITLE : TYPICAL DETAILS FOR CURTAIN WALL

DATE : 13-Jul-20 SCALE : 1:4  
DRAWN BY : LHR CHECKED BY : DW

**美特鋁質有限公司**  
MIDI ALUMINUM FABRICATOR LTD.  
Units 6-8, Sunray Industrial Centre, 1/F  
610 Cha Kwo Ling Road, Kowloon  
Tel:23489211-4 Fax:(852)27727666  
DWG NO. : JB52-SD-PT-5003 REV. : A



1 VERTICAL DETAIL  
6001 BR1

2 VERTICAL DETAIL  
6001 BR1

B.D. REF :

CLIENT :

ARCHITECT :



MAIN CONTRACTOR :



STRUCTURAL ENGINEER :



FACADE CONSULTANT :



NOTE :

1. ALL DIMENSIONS ARE IN mm.
2. ALL ELEVATIONS ARE VIEWED FROM OUTSIDE.
3. ALL DIMENSIONS TO BE VERIFIED ON SITE BEFORE FABRICATION.

LEGEND :

- X1 --- DETAIL MARK NO.
- X001 --- REFER SHEET NO.
- 1. F.F.L. --- FINISHED FLOOR LEVEL
- 2. S.F.L. --- STRUCTURAL FLOOR LEVEL
- 3. (R) --- REVERSED DETAIL
- 4. GLASS LEGEND
  - [AL01] ALUM EXTRUSION MARK:  
REFER TO DRAWING: 1101&1102
  - [GL01] GL01 (VISION GLASS):  
8mm HEAT STRENGTHENED+12mm AIR GAP  
+10mm THK. CLEAR TEMPERED I.G.U.
  - [GL02] GL02 (SPANDREL GLASS):  
10mm THK. HEAT STRENGTHENED GLASS
  - [GL04] GL04 (PROTECTIVE BARRIER):  
10mm THK. TEMPERED GLASS
  - ⊕ GLASS SPAN DIRECTION
- 5. FIXING LOCATION
  - ◀ [BRT] FIXING LOCATION

A	28-10-2020	REVISION SUBJECT TO COMMENTS	MN
NO.	DATE	REVISED	BY

JOB NO. : J-852  
 PROJECT : PROPOSED RESIDENTIAL DEVELOPMENT  
 AT 139 - 147 ARGYLE STREET,  
 NKIL 6005, 6035 R.P., 6036 R.P.,  
 6037 R.P. & 6038 R.P.

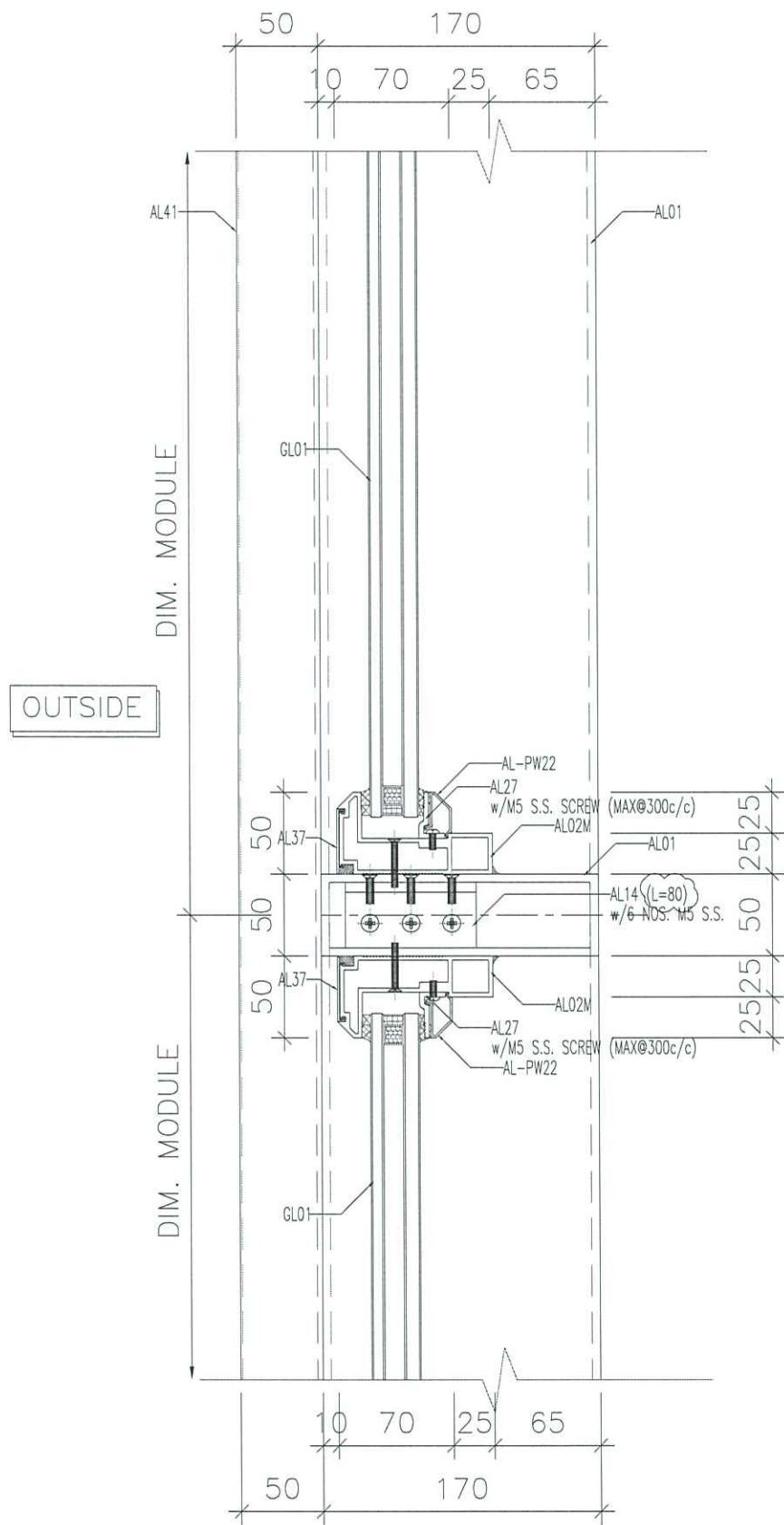
TITLE : TYPICAL DETAILS FOR CURTAIN WALL

DATE : 13-JUL-20 SCALE : 1:6

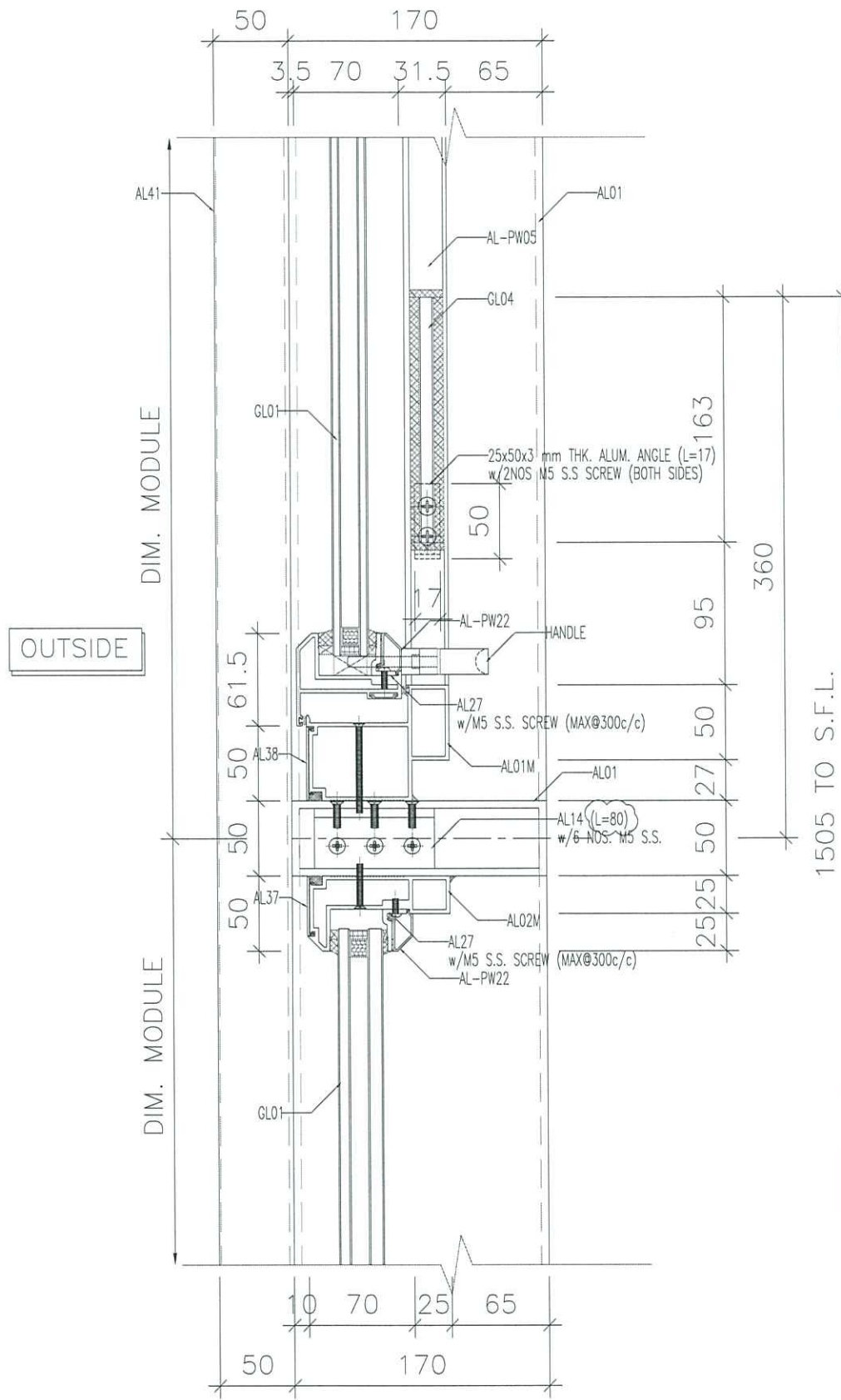
DRAWN BY : LHR CHECKED BY : DW

美特鋁質有限公司  
 MIDI ALUMINIUM FABRICATOR LTD.  
 Units 6-8, Sunray Industrial Centre, 1/F  
 610 Cha Kwo Ling Road, Kowloon  
 Tel:23489211-4 Fax:(852)2727666

DWG NO. : J852-SD-PT-6001 REV. : A



1 VERTICAL DETAIL  
6002



2 VERTICAL DETAIL  
6002

B.D. REF :

CLIENT :

ARCHITECT :  
**AGC DESIGN LTD**

MAIN CONTRACTOR :  
**Gammon**

STRUCTURAL ENGINEER :  
**ARUP**

FACADE CONSULTANT:  
**MEINHARDT**

NOTE:  
1. ALL DIMENSIONS ARE IN mm.  
2. ALL ELEVATIONS ARE VIEWED FROM OUTSIDE.  
3. ALL DIMENSIONS TO BE VERIFIED ON SITE BEFORE FABRICATION.

LEGEND:  
X1 --- DETAIL MARK NO.  
X001 --- REFER SHEET NO.

1. F.F.L. --- FINISHED FLOOR LEVEL  
2. S.F.L. --- STRUCTURAL FLOOR LEVEL  
3. /R --- REVERSED DETAIL  
4. GLASS LEGEND  
AL01 ALUM EXTRUSION MARK: REFER TO DRAWING: 1101&1102  
GLO1 (VISION GLASS): 8mm HEAT STRENGTHENED+12mm AIR GAP +10mm THK. CLEAR TEMPERED I.G.U.  
GLO2 (SPANDREL GLASS): 10mm THK. HEAT STRENGTHENED GLASS  
GLO4 (PROTECTIVE BARRIER): 10mm THK. TEMPERED GLASS  
+--- GLASS SPAN DIRECTION  
5. FIXING LOCATION  
BRT FIXING LOCATION

NO.	DATE	REVISION	BY
A	28-10-2020	REVISION SUBJECT TO COMMENTS	MN

JOB NO. : J-852  
PROJECT : PROPOSED RESIDENTIAL DEVELOPMENT AT 139 - 147 ARGYLE STREET, NKIL 6005, 6035 R.P., 6036 R.P., 6037 R.P. & 6038 R.P.

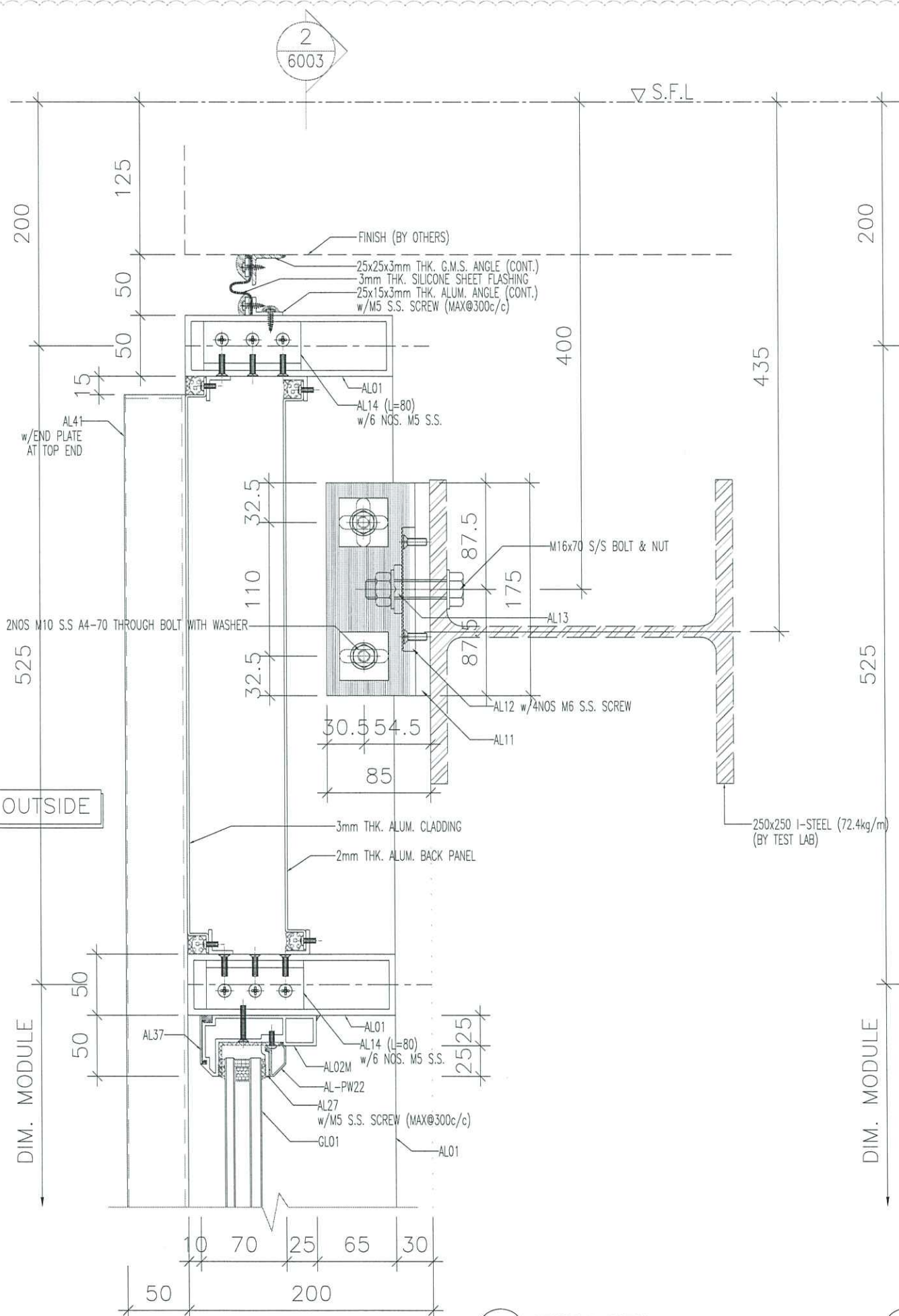
TITLE : TYPICAL DETAILS FOR CURTAIN WALL

DATE : 13-Jul-20 SCALE : 1:4

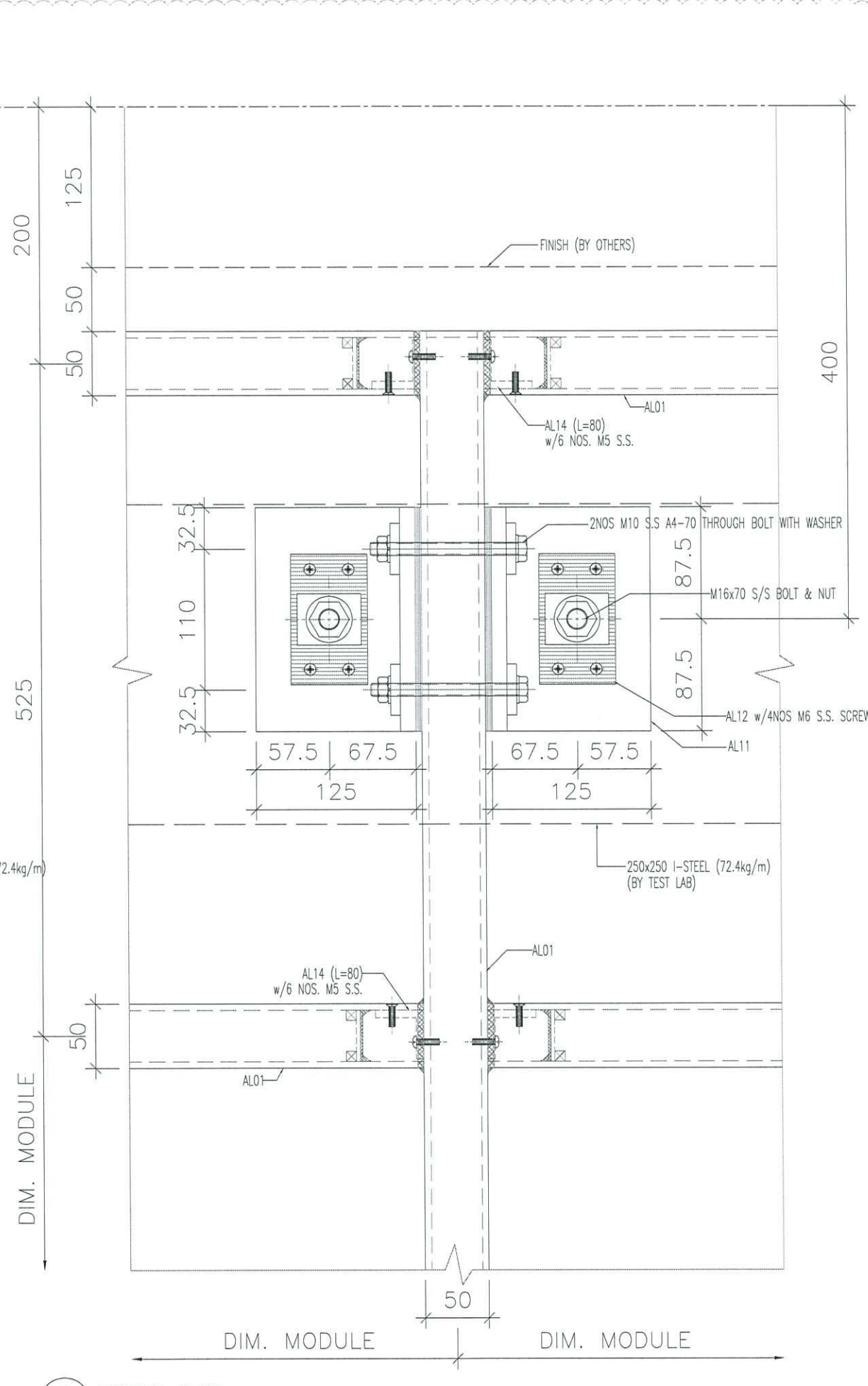
DRAWN BY : LHR CHECKED BY : DW

**美特鋁質有限公司**  
MIDI ALUMINIUM FABRICATOR LTD.  
Units 6-8, Sunray Industrial Centre, 1/F  
610 Cha Kwo Ling Road, Kowloon  
Tel:23489211-4 Fax:(852)27727666

DWG NO. : J852-SD-PT-6002 REV. : A



1 VERTICAL DETAIL  
6003



2 VERTICAL DETAIL  
6003

B.D. REF :

CLIENT :

ARCHITECT :  
**AGC DESIGN LTD**

MAIN CONTRACTOR :  
**Gammon**

STRUCTURAL ENGINEER :  
**ARUP**

FACADE CONSULTANT :  
**MEINHARDT**

NOTE :

- ALL DIMENSIONS ARE IN mm.
- ALL ELEVATIONS ARE VIEWED FROM OUTSIDE.
- ALL DIMENSIONS TO BE VERIFIED ON SITE BEFORE FABRICATION.

LEGEND :

X1 - DETAIL MARK NO.  
X001 - REFER SHEET NO.

- F.F.L. -- FINISHED FLOOR LEVEL
- S.F.L. -- STRUCTURAL FLOOR LEVEL
- ⊕ -- REVERSED DETAIL
- GLASS LEGEND
  - AL01 ALUM EXTRUSION MARK: REFER TO DRAWING: 1101&1102
  - GL01 GLO1 (VISION GLASS): 8mm HEAT STRENGTHENED+12mm AIR GAP +10mm THK. CLEAR TEMPERED I.G.U.
  - GL02 GLO2 (SPANDREL GLASS): 10mm THK. HEAT STRENGTHENED GLASS
  - GL04 GLO4 (PROTECTIVE BARRIER): 10mm THK. TEMPERED GLASS
  - ⊕ GLASS SPAN DIRECTION
- FIXING LOCATION
  - BR1 FIXING LOCATION

NO.	DATE	REVISION SUBJECT TO COMMENTS	BY
A	28-10-2020	REVISION SUBJECT TO COMMENTS	MN

JOB NO. : J-852

PROJECT : PROPOSED RESIDENTIAL DEVELOPMENT AT 139 - 147 ARGYLE STREET, NKIL 6005, 6035 R.P., 6036 R.P., 6037 R.P. & 6038 R.P.

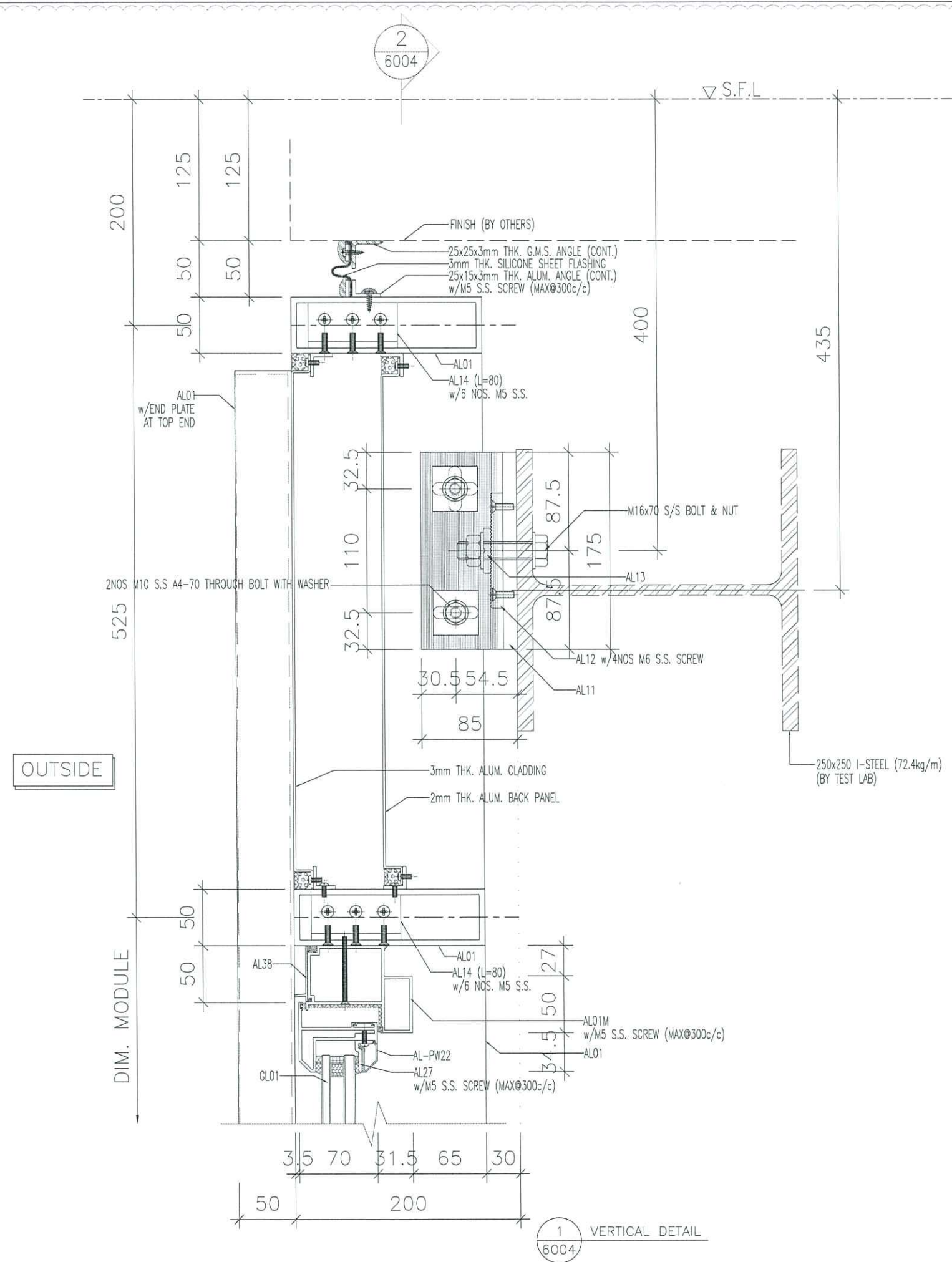
TITLE : TYPICAL DETAILS FOR CURTAIN WALL

DATE : 13-JUL-20 SCALE : 1:4

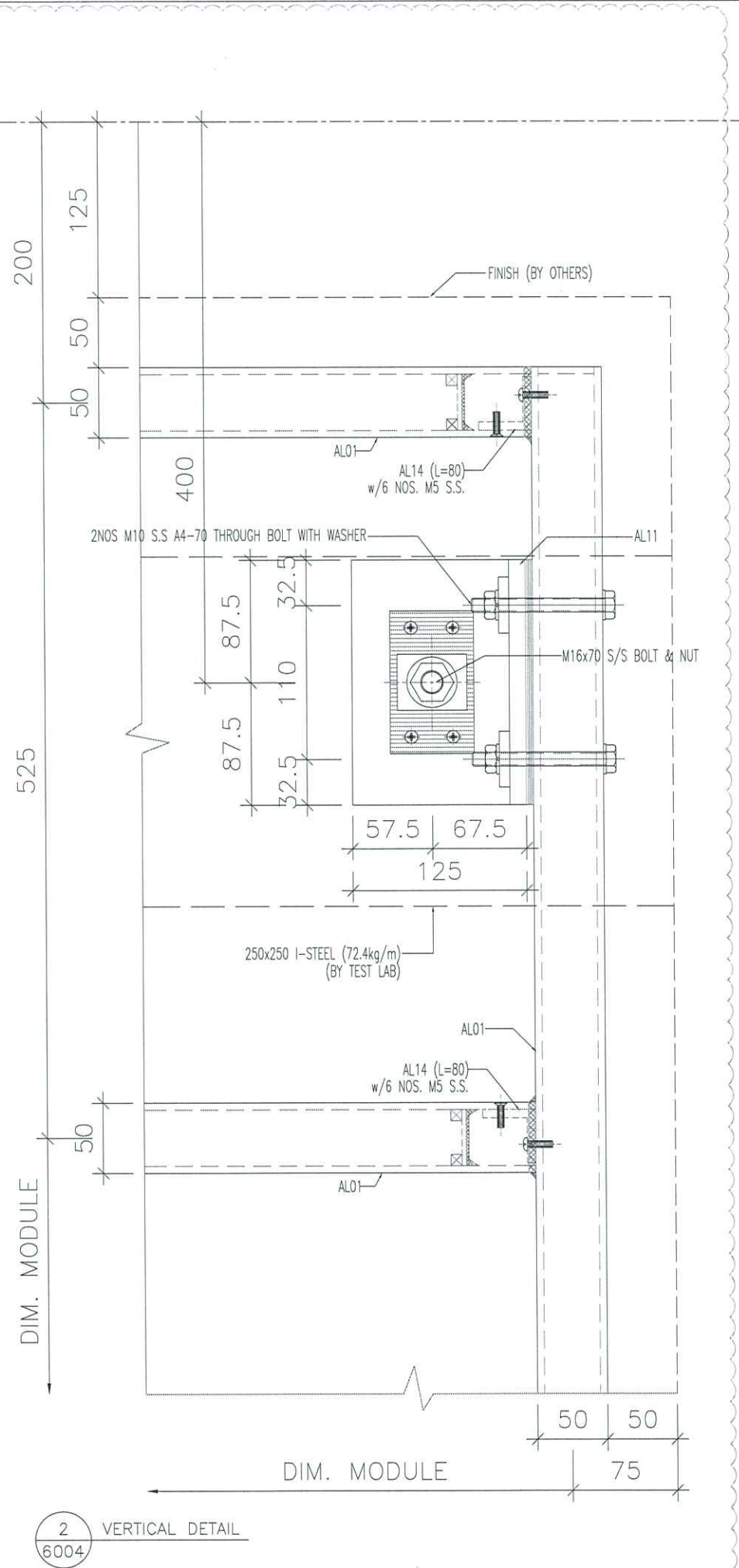
DRAWN BY : LHR CHECKED BY : DW

**美特鋁質有限公司**  
MIDI ALUMINIUM FABRICATOR LTD.  
Units 6-8, Sunray Industrial Centre, 1/F  
610 Cha Kwo Ling Road, Kowloon  
Tel:23489211-4 Fax:(852)2727666

DWG NO. : J852-SD-PT-6003 REV. : -



1 VERTICAL DETAIL  
6004



2 VERTICAL DETAIL  
6004

B.D. REF :

CLIENT :

ARCHITECT :  
**AGC DESIGN LTD**

MAIN CONTRACTOR :  
**Gammon**

STRUCTURAL ENGINEER :  
**ARUP**

FACADE CONSULTANT:  
**MEIN-HARDT**

NOTE :  
1. ALL DIMENSIONS ARE IN MM.  
2. ALL ELEVATIONS ARE VIEWED FROM OUTSIDE.  
3. ALL DIMENSIONS TO BE VERIFIED ON SITE BEFORE FABRICATION.

LEGEND :

X1 — DETAIL MARK NO.  
X001 — REFER SHEET NO.

1. F.F.L. — FINISHED FLOOR LEVEL  
2. S.F.L. — STRUCTURAL FLOOR LEVEL  
3. ⊕ — REVERSED DETAIL  
4. GLASS LEGEND

AL01 ALUM EXTRUSION MARK:  
REFER TO DRAWING: 1101&1102

GLO1 GLO1 (VISION GLASS):  
8mm HEAT STRENGTHENED+12mm AIR GAP  
+10mm THK. CLEAR TEMPERED I.G.U.

GLO2 GLO2 (SPANDREL GLASS):  
10mm THK. HEAT STRENGTHENED GLASS

GLO4 GLO4 (PROTECTIVE BARRIER):  
10mm THK. TEMPERED GLASS

⊕ GLASS SPAN DIRECTION

5. FIXING LOCATION  
▶ BRT FIXING LOCATION

A	28-10-2020	REVISION SUBJECT TO COMMENTS	MN
NO.	DATE	REVISION	BY

JOB NO. : J-852

PROJECT : PROPOSED RESIDENTIAL DEVELOPMENT AT 139 - 147 ARGYLE STREET, NKIL 6005, 6035 R.P., 6036 R.P., 6037 R.P. & 6038 R.P.

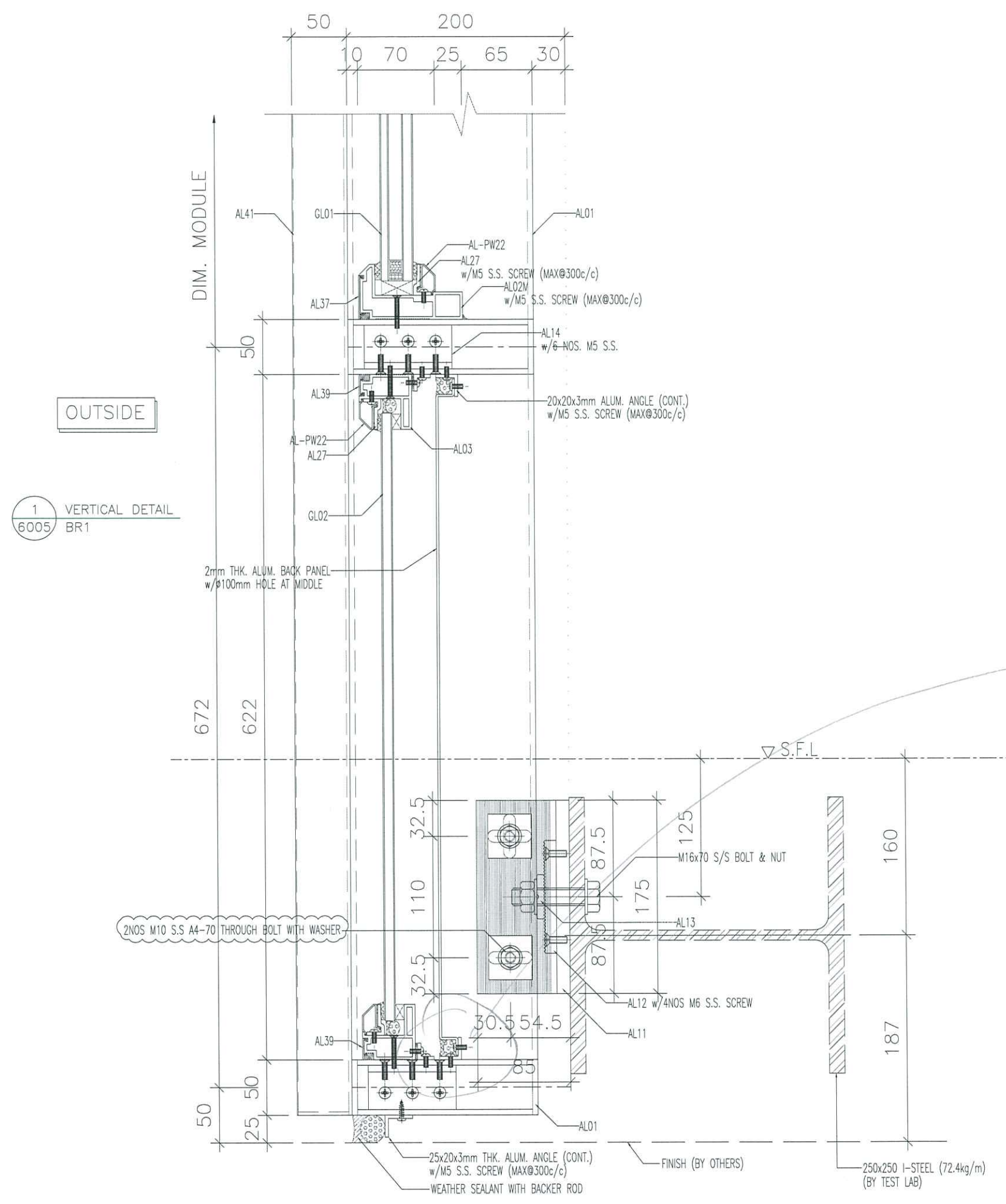
TITLE : TYPICAL DETAILS FOR CURTAIN WALL

DATE : 13-Jul-20 SCALE : 1:4

DRAWN BY : LHR CHECKED BY : DW

**美特鋁質有限公司**  
MIDI ALUMINIUM FABRICATOR LTD.  
Units 6-8, Sunray Industrial Centre, 1/F  
610 Cha Kwo Ling Road, Kowloon  
Tel:23489211-4 Fax:(852)2727666

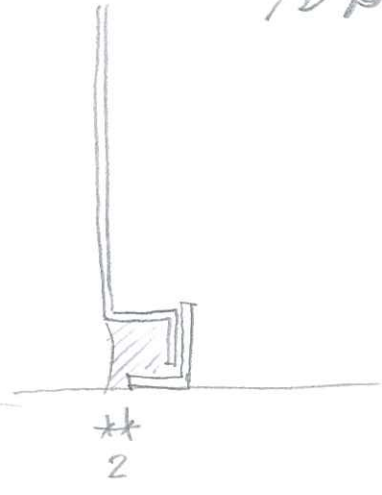
DWG NO. : J852-SD-PT-6004 REV. : A



OUTSIDE

1 VERTICAL DETAIL  
6005 BR1

注意:



B.D. REF :

CLIENT :

ARCHITECT :  
**AGC DESIGN LTD**  
 110, 112, 114, 116, 118, 120, 122, 124, 126, 128, 130, 132, 134, 136, 138, 140, 142, 144, 146, 148, 150, 152, 154, 156, 158, 160, 162, 164, 166, 168, 170, 172, 174, 176, 178, 180, 182, 184, 186, 188, 190, 192, 194, 196, 198, 200, 202, 204, 206, 208, 210, 212, 214, 216, 218, 220, 222, 224, 226, 228, 230, 232, 234, 236, 238, 240, 242, 244, 246, 248, 250, 252, 254, 256, 258, 260, 262, 264, 266, 268, 270, 272, 274, 276, 278, 280, 282, 284, 286, 288, 290, 292, 294, 296, 298, 300, 302, 304, 306, 308, 310, 312, 314, 316, 318, 320, 322, 324, 326, 328, 330, 332, 334, 336, 338, 340, 342, 344, 346, 348, 350, 352, 354, 356, 358, 360, 362, 364, 366, 368, 370, 372, 374, 376, 378, 380, 382, 384, 386, 388, 390, 392, 394, 396, 398, 400, 402, 404, 406, 408, 410, 412, 414, 416, 418, 420, 422, 424, 426, 428, 430, 432, 434, 436, 438, 440, 442, 444, 446, 448, 450, 452, 454, 456, 458, 460, 462, 464, 466, 468, 470, 472, 474, 476, 478, 480, 482, 484, 486, 488, 490, 492, 494, 496, 498, 500, 502, 504, 506, 508, 510, 512, 514, 516, 518, 520, 522, 524, 526, 528, 530, 532, 534, 536, 538, 540, 542, 544, 546, 548, 550, 552, 554, 556, 558, 560, 562, 564, 566, 568, 570, 572, 574, 576, 578, 580, 582, 584, 586, 588, 590, 592, 594, 596, 598, 600, 602, 604, 606, 608, 610, 612, 614, 616, 618, 620, 622, 624, 626, 628, 630, 632, 634, 636, 638, 640, 642, 644, 646, 648, 650, 652, 654, 656, 658, 660, 662, 664, 666, 668, 670, 672, 674, 676, 678, 680, 682, 684, 686, 688, 690, 692, 694, 696, 698, 700, 702, 704, 706, 708, 710, 712, 714, 716, 718, 720, 722, 724, 726, 728, 730, 732, 734, 736, 738, 740, 742, 744, 746, 748, 750, 752, 754, 756, 758, 760, 762, 764, 766, 768, 770, 772, 774, 776, 778, 780, 782, 784, 786, 788, 790, 792, 794, 796, 798, 800, 802, 804, 806, 808, 810, 812, 814, 816, 818, 820, 822, 824, 826, 828, 830, 832, 834, 836, 838, 840, 842, 844, 846, 848, 850, 852, 854, 856, 858, 860, 862, 864, 866, 868, 870, 872, 874, 876, 878, 880, 882, 884, 886, 888, 890, 892, 894, 896, 898, 900, 902, 904, 906, 908, 910, 912, 914, 916, 918, 920, 922, 924, 926, 928, 930, 932, 934, 936, 938, 940, 942, 944, 946, 948, 950, 952, 954, 956, 958, 960, 962, 964, 966, 968, 970, 972, 974, 976, 978, 980, 982, 984, 986, 988, 990, 992, 994, 996, 998, 1000

MAIN CONTRACTOR :  
**Gammon**

STRUCTURAL ENGINEER :  
**ARUP**

FACADE CONSULTANT :  
**MEINHARDT**

NOTE :  
 1. ALL DIMENSIONS ARE IN mm.  
 2. ALL ELEVATIONS ARE VIEWED FROM OUTSIDE.  
 3. ALL DIMENSIONS TO BE VERIFIED ON SITE BEFORE FABRICATION.

LEGEND :  
 X1 — DETAIL MARK NO.  
 X001 — REFER SHEET NO.

1. F.F.L. — FINISHED FLOOR LEVEL  
 2. S.F.L. — STRUCTURAL FLOOR LEVEL  
 3. (B) — REVERSED DETAIL  
 4. GLASS LEGEND  
 AL01 ALUM EXTRUSION MARK: REFER TO DRAWING: 1101&1102  
 GL01 GL01 (VISION GLASS): 8mm HEAT STRENGTHENED+12mm AIR GAP +10mm THK. CLEAR TEMPERED I.G.U.  
 GL02 GL02 (SPANDREL GLASS): 10mm THK. HEAT STRENGTHENED GLASS  
 GL04 GL04 (PROTECTIVE BARRIER): 10mm THK. TEMPERED GLASS  
 + GLASS SPAN DIRECTION  
 5. FIXING LOCATION  
 (BR1) FIXING LOCATION

A	28-10-2020	REVISION SUBJECT TO COMMENTS	MN
NO.	DATE	REVISED	BY

JOB NO. : J-852

PROJECT :  
 PROPOSED RESIDENTIAL DEVELOPMENT  
 AT 139 - 147 ARGYLE STREET,  
 NKIL 6005, 6035 R.P., 6036 R.P.,  
 6037 R.P. & 6038 R.P.

TITLE :  
 TYPICAL DETAILS FOR  
 CURTAIN WALL

DATE : 13-Jul-20 SCALE : 1:4

DRAWN BY : LHR CHECKED BY : DW

**美特铝质有限公司**  
 MIDI ALUMINIUM FABRICATOR LTD.  
 Units 6-8, Sunray Industrial Centre, 1/F  
 610 Cha Kwo Ling Road, Kowloon  
 Tel:23489211-4 Fax:(852)27727666

DWG NO. : J852-SD-PT-6005 REV. : A