



工程指示 / 要求簡箋(E.I.)

工程指示編號：EI / 2418 / 20

修改版次：-

工程編號：J - 852

工程名稱：亞皆老街中電

工程項目：幕牆 大貨 - 地盆配件 BM

收件人：林哥 *(Signature)*

發件人：Ant Yeung

日期：12/09/2020

要求提供 / 確認 事項：

- | | | |
|------------------------------------|-------------------------------------|-------------------------------|
| <input type="checkbox"/> 初步鋁料 B.M. | <input type="checkbox"/> 加工拆圖，然後生產 | <input type="checkbox"/> 尺寸表 |
| <input type="checkbox"/> 正式鋁料 B.M. | <input type="checkbox"/> 技術上資料 / 指示 | <input type="checkbox"/> 報價 |
| <input type="checkbox"/> 配件 B.M. | <input type="checkbox"/> 樣辦或貨品說明書 | <input type="checkbox"/> 分判合約 |
| <input type="checkbox"/> 其他：_____ | | |

內容：

請按此配件 BM 訂購供地盆幕牆用。

拆圖：請儘快補回防火棉又計算和加工圖和其餘配件。

生統：摩耳由廠製作，出貨地盆

請在 2020.10.14 前完成上列要求。

附：

以上項目為：

- 原合約工程包 原合約工程加 / 減賬 新工程報價

原因：-

分發東莞各部門：

- | | | | |
|--------------------------------------------------------------|-----------------------------------------------------------------------------------|-------------------------------------------------------------------------|--------------------------------------------------------------------------------|
| <input type="checkbox"/> 生產技術總監 <input type="checkbox"/> 連附件 | <input type="checkbox"/> 技術部 <input type="checkbox"/> 連附件 | <input type="checkbox"/> 生產部 <input type="checkbox"/> 連附件 | <input type="checkbox"/> 機械設計部 <input type="checkbox"/> 連附件 |
| <input type="checkbox"/> 採購部 <input type="checkbox"/> 連附件 | <input checked="" type="checkbox"/> 生產統籌部 <input checked="" type="checkbox"/> 連附件 | <input checked="" type="checkbox"/> 小羅 & 清 <input type="checkbox"/> 連附件 | |
| <input type="checkbox"/> 質檢部 <input type="checkbox"/> 連附件 | <input type="checkbox"/> 會計部 <input type="checkbox"/> 連附件 | <input type="checkbox"/> 報關組 <input type="checkbox"/> 連附件 | <input checked="" type="checkbox"/> 其他 <u>楊榮輝</u> <input type="checkbox"/> 連附件 |

分發其他分判：

- (v) 水洪 連附件

分發香港各部門：

- | | | | |
|-----------------------------------------------------------|------------------------------------------------------------|----------------------------------------------------------------------|------------------------------------------------------------------------------------|
| <input type="checkbox"/> 行政部 <input type="checkbox"/> 連附件 | <input type="checkbox"/> 會計部 <input type="checkbox"/> 連附件 | <input checked="" type="checkbox"/> 統籌部 <input type="checkbox"/> 連附件 | <input checked="" type="checkbox"/> 工程部地盤科文 <input type="checkbox"/> 連附件 <u>祥哥</u> |
| <input type="checkbox"/> 採購部 <input type="checkbox"/> 連附件 | <input type="checkbox"/> QS 部 <input type="checkbox"/> 連附件 | <input type="checkbox"/> 維修部 <input type="checkbox"/> 連附件 | <input type="checkbox"/> 其他 _____ <input type="checkbox"/> 連附件 |

傳遞編號：

HK 2087 / 20

發件人簽署：*(Signature)*

項目經理簽署：*(Signature)*

 美特鋁質有限公司 MIDI Aluminium Fabricator Ltd.	工程號: J852	計算:	CJM	日期:	2020.08.12	送呈:	胡哥
	地盤名稱: 亞皆老街	核對:	wsh	日期:	2020.08.15	副本:	
幕牆廠用配件B.M.表	項目類別: 幕牆 (1F~23F)	批准:		日期:		此BM依據施工圖 來計算	
BM編號:	A/C Code: A(2020.09.11)						

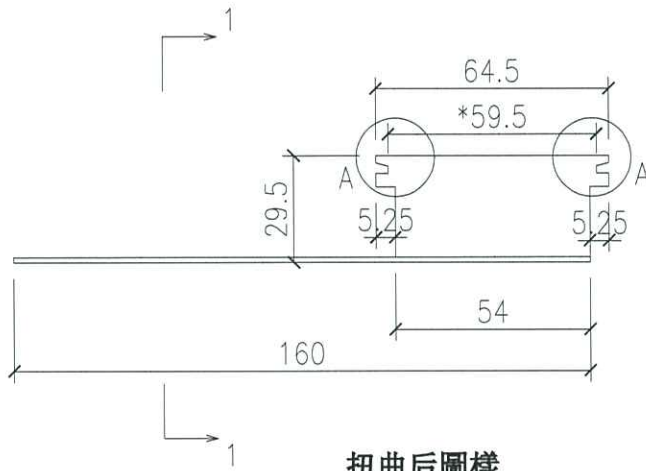
序號	修改標示	配件圖號	物料編號	配件名稱	顏色	實用	後備	總數	單位	備注
1				M5x10圓頭機絲	SS-316	6800	100	6900	粒	用于鋁背板/收口鋁板/鐵通安裝
2				M5x15圓頭機絲	SS-316	8000	100	8100	粒	用于X85760/X85769/X85827/X85826/X85850安裝
3				φ10mm膠蓋	近鋁料噴塗色	8000	100	8100	粒	用于X85760/X85769/X85827/X85826/X85850安裝
4				M5x15平頭機絲	SS-316	5000	100	5100	粒	用于橫碰企鋁碼安裝
5			牙長: 全長	M10*130mm長六角頭螺栓	SS-316	400	10	410	套	配1螺母2平介1彈介, 用于X85829鋁碼安裝
6	另出EI 訂購	M16 GRADE 8.8"HILTI" HBC-C T-BOLT		M16*60mm長T型螺栓	SS-316	260	5	265	套	配1螺母1平介1彈介, 用于X85829鋁碼安裝
7			牙長: 全長	M12*110mm長六角頭螺栓	SS-316	18	2	20	套	配1螺母2平介1彈介, 用于節點6003、6004、6005鐵碼安裝
8			J852-MR1	FD門框磨耳	熱浸鋅	1020	80	1100	只	用于FD門框
9		HILTI HST3-R M10 ANCHOR BOLT		M10x90mm拉爆	A4-70	240	10	250	套	用于節點5001
10		"HILTI"X-U P8 NAIL		喜得利X-U P8自攻釘	A4-70	4400	200	4600	粒	用于節點5001、5003A、6001
11		ROCKWOOL THERMALLROCK S11		CSR 1200x600x50隔熱棉	灰黃色	35	3	38	塊	50mm thk x110kg/m3 單面錫紙,用于節點5002
12		CSR FIRE SEAL FS60		CSR 1200x600x135防火棉		22	2	24	塊	用于梗牆位
13				膠塞+#9*1圓頭鋼	SS316	450	50	500	套	用于節點6003、6004、6005防水片安裝
14			道康寧防水膠	Dowsil 791	Bronze	250	5	255	支	300mm/支, 用于生窗玉/FD門玉玻璃安裝
15			道康寧防水膠	Dowsil 791	Bronze	2050	20	2070	支	300mm/支, 用于夾企框及玻璃安裝
16			道康寧防水膠	Dowsil 791	Bronze	650	10	660	支	300mm/支, 用于鋁背板位置
17			道康寧防水膠	Dowsil 791	Bronze	1500	50	1550	支	300mm/支, 用于四周邊收口

 美特鋁質有限公司 MIDI Aluminium Fabricator Ltd.	工程號: J852	計算:	CJM	日期:	2020.08.12	送呈:	胡哥
	地盤名稱: 亞皆老街	核對:	wsh	日期:	2020.08.15	副本:	
幕牆廠用配件B.M.表	項目類別: 幕牆 (1F~23F)	批准:		日期:		此BM依據施工圖 來計算	
BM編號:	A/C Code: A(2020.09.11)						

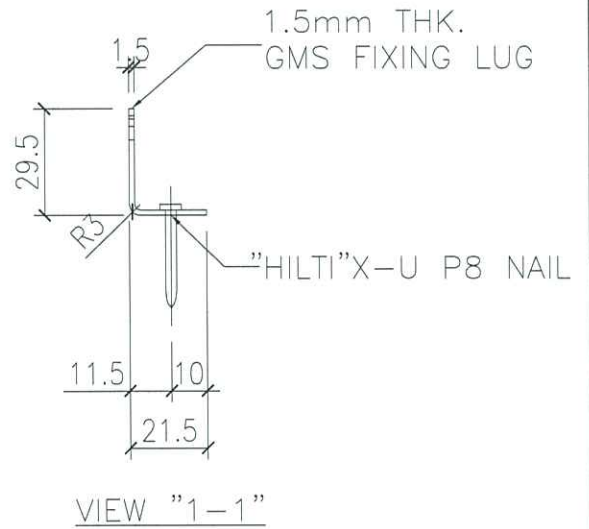
序號	修改標示	配件圖號	物料編號	配件名稱	顏色	實用	後備	總數	單位	備注
18			道康寧防水膠	Dowsil 791	Bronze	100	2	102	支	300mm/支, 用于主橫碰主企通
19				LB52#10*350高拉力焊枝		0.5		0.5	包	162支/包, 直徑3.2, 用于鐵通及鐵碼焊接
20				鉛水油		0.5		0.5	升	用于焊接位防腐
21				木尖(大)	跟J832款	540	60	600	個	用于FD門框四周
22				φ16mm海棉棒	白色	1260	40	1300	米	用于鋁板收口位
23				φ14mm海棉棒	白色	500	20	520	米	用于梗牆位玻璃安裝
24			Santoprene 65±5	6x5mm玻璃膠塞, L=30mm		1020	30	1050	個	用于生窗(3/側)及FD玉(4/側)兩側內位
25			Santoprene 65±5	6x5mm玻璃膠塞, L=30mm		1320	30	1350	個	用于梗窗玻璃兩側外位
26			Santoprene 65±5	8x9mm玻璃膠塞, L=30mm		1020	30	1050	個	用于生窗(3/側)及FD玉(4/側)兩側外位
27			Santoprene 65±5	6x3mm玻璃膠塞, L=30mm		1320	30	1350	個	用于梗窗玻璃兩側外位
28			EPDN 硬度85±5	10x13(高)墊塊(L=50mm)	黑色	252	20	272	個	用于死牆位玻璃底部
29			EPDN 硬度85±5	28x13(高)墊塊(L=50mm)	黑色	1128	50	1178	個	用于生窗玉、FD玉、梗窗玻璃底部
30				14mm(闊/膠水)x8mm(高)雙面貼	黑色	500	20	520	米	用于死牆位玻璃內側



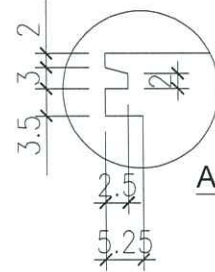
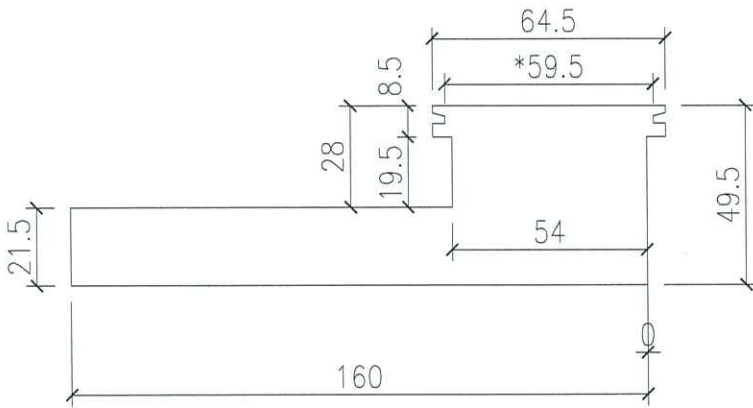
類別	後裝窗配件	物料號		
制圖	Ivan	2020.09.01	圖號	J852-MR1
修改			數量	1100
日期			單件重量 (KG)	0.046kg/件
			復核	
			批准	



扭曲后圖樣



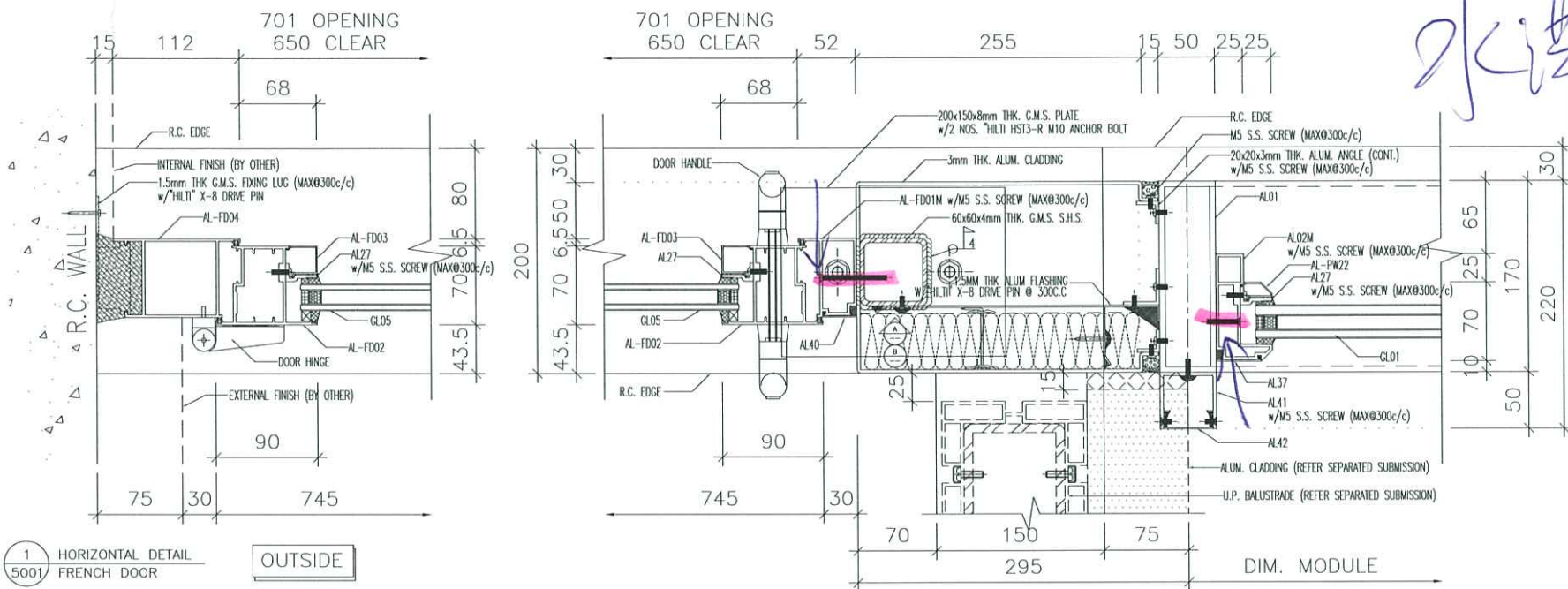
VIEW "1-1"



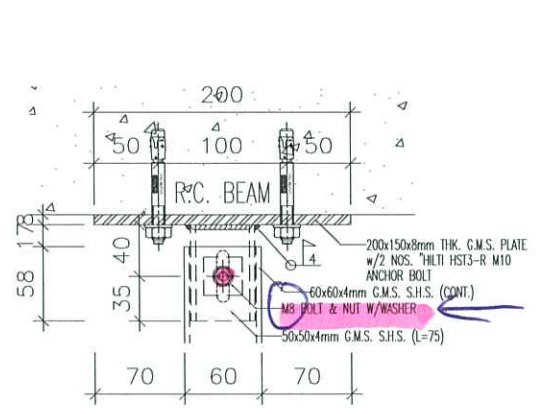
用于幕墙FD門框

工程號	J852	地盤	亞皆老街	附件	
名稱	後裝窗磨耳	採用			
材料	1.5mm G.M.S	地盤	✓		
顏色	熱浸鋅	工廠			

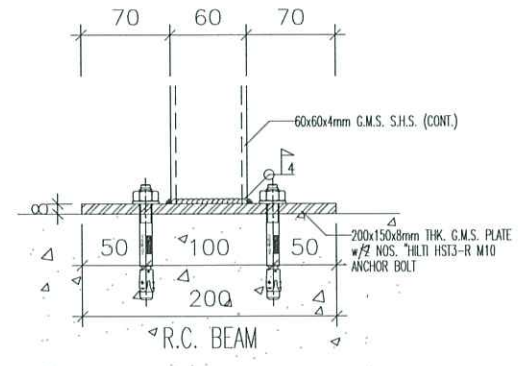
水浸清包



1 HORIZONTAL DETAIL FRENCH DOOR OUTSIDE



A ELEVATION VIEW TOP



B ELEVATION VIEW BOTTOM

B.D. REF :

CLIENT :

ARCHITECT :
AGC DESIGN LTD

MAIN CONTRACTOR :
Gammon

STRUCTURAL ENGINEER :
ARUP

FAÇADE CONSULTANT :
MEINHARDT

NOTE:
1. ALL DIMENSIONS ARE IN mm.
2. ALL ELEVATIONS ARE VIEWED FROM OUTSIDE.
3. ALL DIMENSIONS TO BE VERIFIED ON SITE BEFORE FABRICATION.

LEGEND:
X1 DETAIL MARK NO.
X2001 REFER SHEET NO.
1. F.F.L. --- FINISHED FLOOR LEVEL
2. S.F.L. --- STRUCTURAL FLOOR LEVEL
3. (R) --- REVERSED DETAIL

4. GLASS LEGEND
[AL01] ALUM EXTRUSION MARK:
REFER TO DRAWING: 1101&1102
[GL01] GL01 (VISION GLASS):
8mm HEAT STRENGTHENED+12mm AIR GAP
+10mm THK. CLEAR TEMPERED I.C.U.
[GL02] GL02 (SPANDREL GLASS):
10mm THK. HEAT STRENGTHENED GLASS
[GL04] GL04 (PROTECTIVE BARRIER):
10mm THK. TEMPERED GLASS

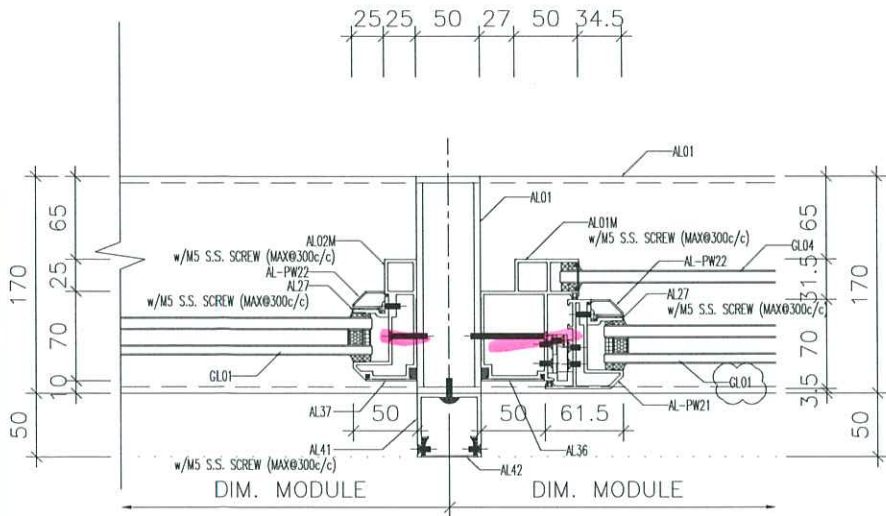
C	22-07-2020	REVISION SUBJECT TO COMMENTS	MN
B	06-06-2020	REVISION SUBJECT TO COMMENTS	MN
A	24-02-2020	REVISION SUBJECT TO COMMENTS	MN
NO.	DATE	REVISION	BY

JOB NO. : J-852
PROJECT : PROPOSED RESIDENTIAL DEVELOPMENT
AT 139 - 147 ARCYLE STREET,
NKIL 6005, 6035 R.P., 6036 R.P.,
6037 R.P. & 6038 R.P.

TITLE : TYPICAL DETAILS FOR CURTAIN WALL

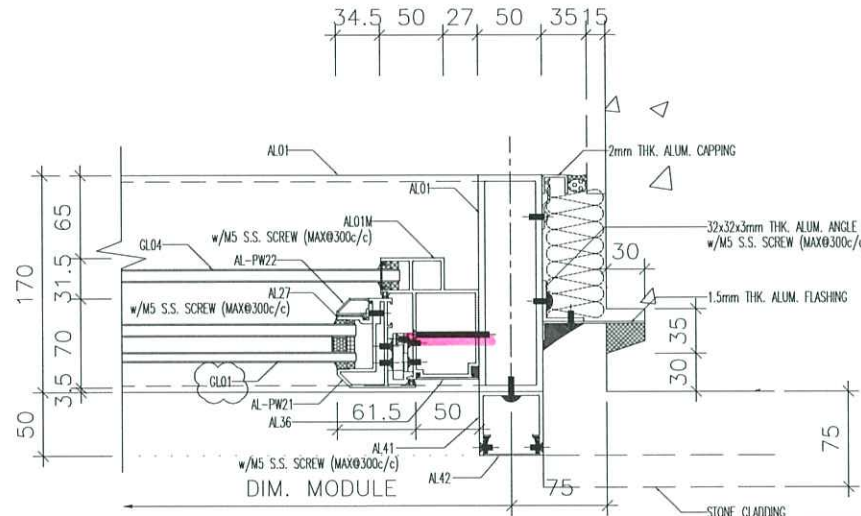
DATE : 17-DEC-19 SCALE : 1:4
DRAWN BY : MN CHECKED BY : DW

MIDI ALUMINIUM FABRICATOR LTD.
Units 5-8, Sunny Industrial Centre, 1/7
610 Cha Kwo Ling Road, Kowloon
Tel:23489211-4 Fax:(852)2727666
DWG NO. : J852-SD-CW-5001 REV. : C



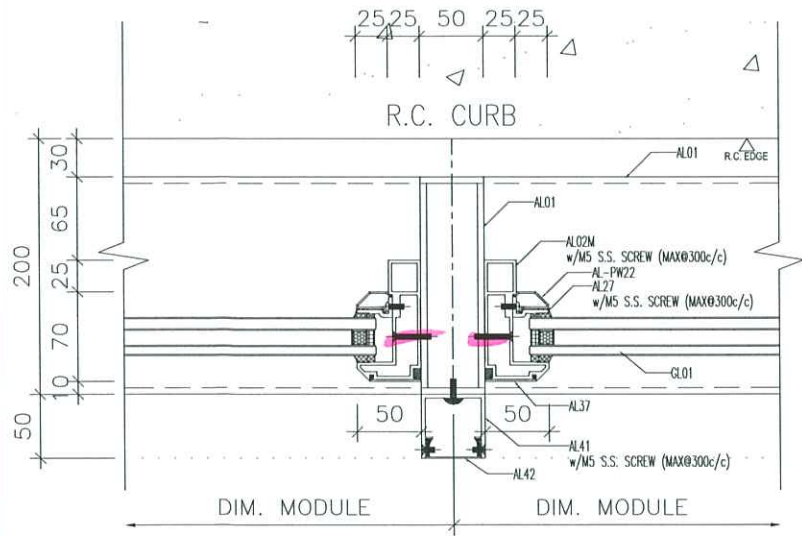
1 HORIZONTAL DETAIL
5002

OUTSIDE



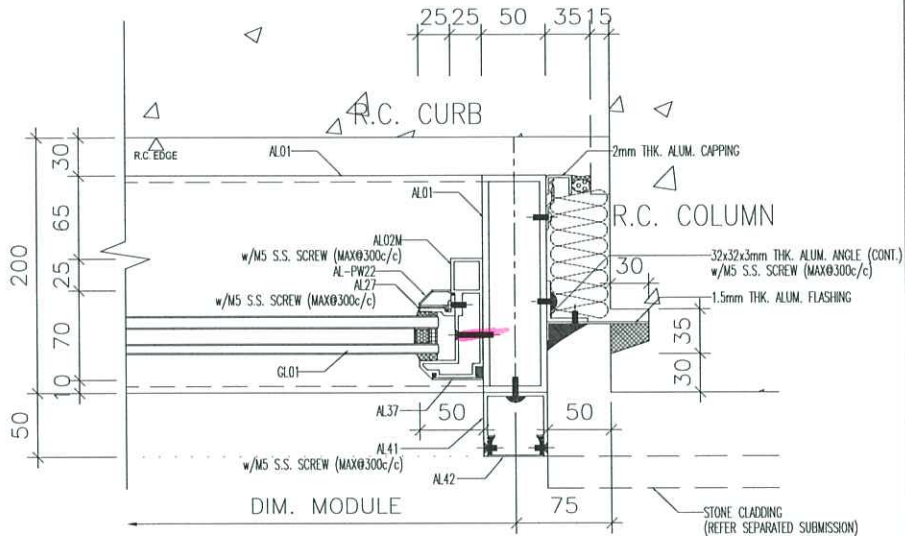
2 HORIZONTAL DETAIL
5002

OUTSIDE



3 HORIZONTAL DETAIL
5002

OUTSIDE



4 HORIZONTAL DETAIL
5002

OUTSIDE

B.D. REF :

CLIENT :

ARCHITECT :
AGC DESIGN LTD

MAIN CONTRACTOR :
Gammon
STRUCTURAL ENGINEER :
ARUP
FACADE CONSULTANT:
MEINHARDT

NOTE:
1. ALL DIMENSIONS ARE IN mm.
2. ALL ELEVATIONS ARE VIEWED FROM OUTSIDE.
3. ALL DIMENSIONS TO BE VERIFIED ON SITE BEFORE FABRICATION.

LEGEND:

X1	DETAIL MARK NO.
X001	REFER SHEET NO.

- F.F.L. -- FINISHED FLOOR LEVEL
- S.F.L. -- STRUCTURAL FLOOR LEVEL
- (R) -- REVERSED DETAIL

4. GLASS LEGEND

[AL01] ALUM EXTRUSION MARK:
REFER TO DRAWING: 1101&1102

[GLO1] GLO1 (VISION GLASS):
8mm HEAT STRENGTHENED+12mm AIR GAP
+10mm THK. CLEAR TEMPERED I.G.U.

[GLO2] GLO2 (SPANDREL GLASS):
10mm THK. HEAT STRENGTHENED GLASS

[GLO4] GLO4 (PROTECTIVE BARRIER):
10mm THK. TEMPERED GLASS

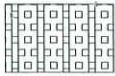
NO.	DATE	REVISION	BY
A	21-07-2020	REVISION SUBJECT TO COMMENTS	MN
B	06-05-2020	REVISION SUBJECT TO COMMENTS	MN
C	24-02-2020	REVISION SUBJECT TO COMMENTS	MN

JOB NO. : J-852
PROJECT : PROPOSED RESIDENTIAL DEVELOPMENT
AT 139 - 147 ARGYLE STREET,
NKIL 6005, 6035 R.P., 6036 R.P.,
6037 R.P. & 6038 R.P.

TITLE : TYPICAL DETAILS FOR CURTAIN WALL

DATE : 17-DEC-19 SCALE : 1:4
DRAWN BY : MN CHECKED BY : DW

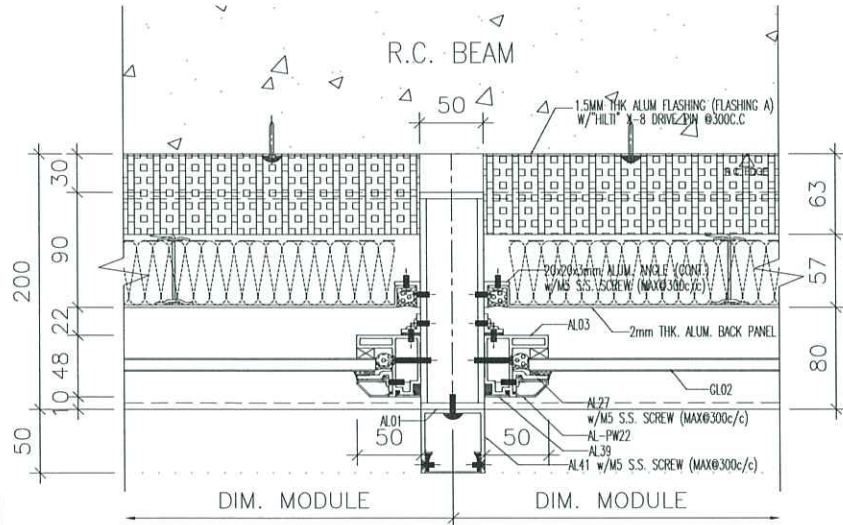
美特鋁質有限公司
MIDI ALUMINIUM FABRICATOR LTD.
Units 5-8, Sunny Industrial Centre, 1/F
610 Chu Kwo Ling Road, Kowloon
Tel:23489211-4 Fax:(852)2727666
DWG NO. : J852-SD-CW-5002 REV. : C



FLASHING A

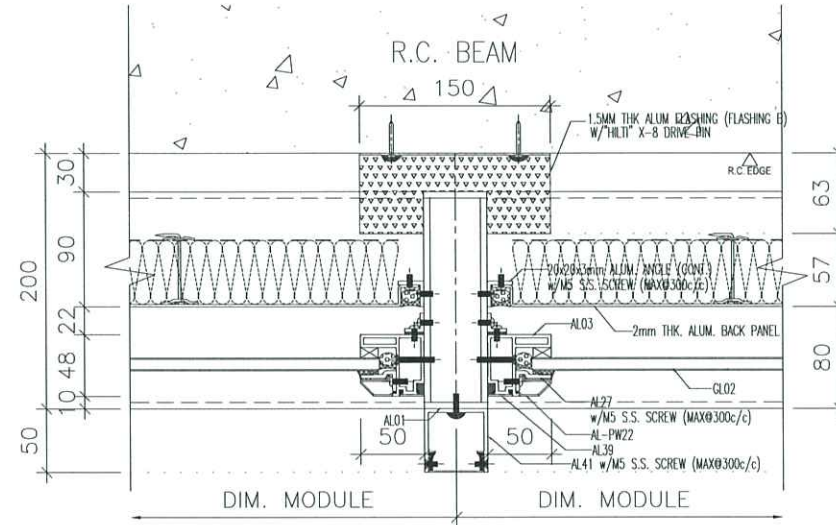


FLASHING B



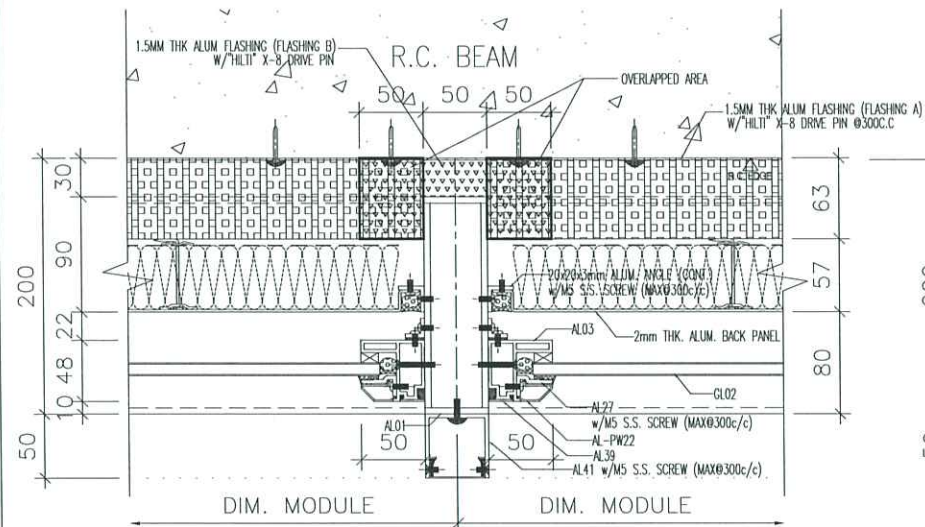
1 HORIZONTAL DETAIL
5003A

OUTSIDE



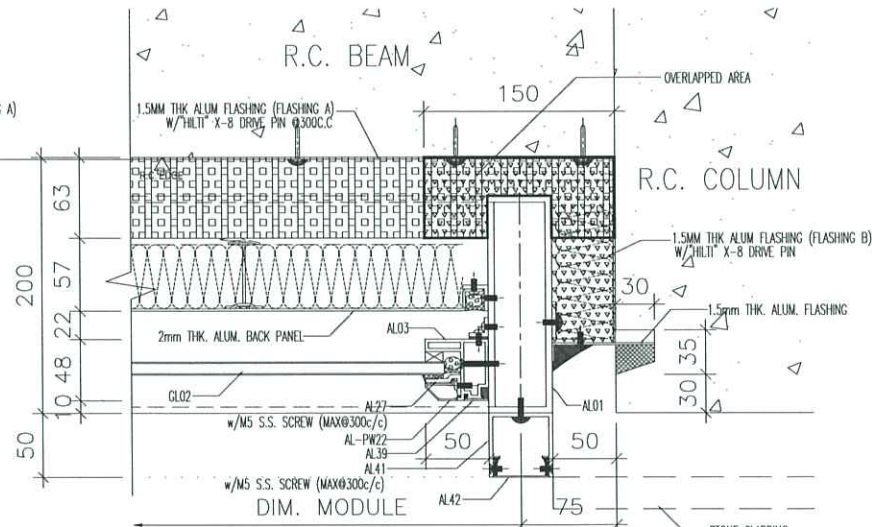
2 HORIZONTAL DETAIL
5003A

OUTSIDE



3 HORIZONTAL DETAIL
5003A

OUTSIDE



4 HORIZONTAL DETAIL
5003A

OUTSIDE

B.D. REF :

CLIENT :

ARCHITECT :
AGC DESIGN LTD

MAIN CONTRACTOR :
Gammon

STRUCTURAL ENGINEER :
ARUP

FACADE CONSULTANT :
MEINHARDT

NOTE:
1. ALL DIMENSIONS ARE IN mm.
2. ALL ELEVATIONS ARE VIEWED FROM OUTSIDE.
3. ALL DIMENSIONS TO BE VERIFIED ON SITE BEFORE FABRICATION.

LEGEND:
X1 DETAIL MARK NO.
X001 REFER SHEET NO.

1. F.F.L. -- FINISHED FLOOR LEVEL
2. S.F.L. -- STRUCTURAL FLOOR LEVEL
3. (R) -- REVERSED DETAIL
4. GLASS LEGEND

AL01 ALUM EXTRUSION MARK:
REFER TO DRAWING: 1101&1102
GLO1 (VISION GLASS):
8mm HEAT STRENGTHENED+12mm AIR GAP
+10mm THK. CLEAR TEMPERED I.G.U.
GLO2 (SPANDREL GLASS):
10mm THK. HEAT STRENGTHENED GLASS
GLO4 (PROTECTIVE BARRIER):
10mm THK. TEMPERED GLASS

NO.	DATE	REVISED	BY

JOB NO. : J-852

PROJECT :
PROPOSED RESIDENTIAL DEVELOPMENT
AT 139 - 147 ARGYLE STREET,
NKIL 6005, 6035 R.P., 6036 R.P.,
6037 R.P. & 6038 R.P.

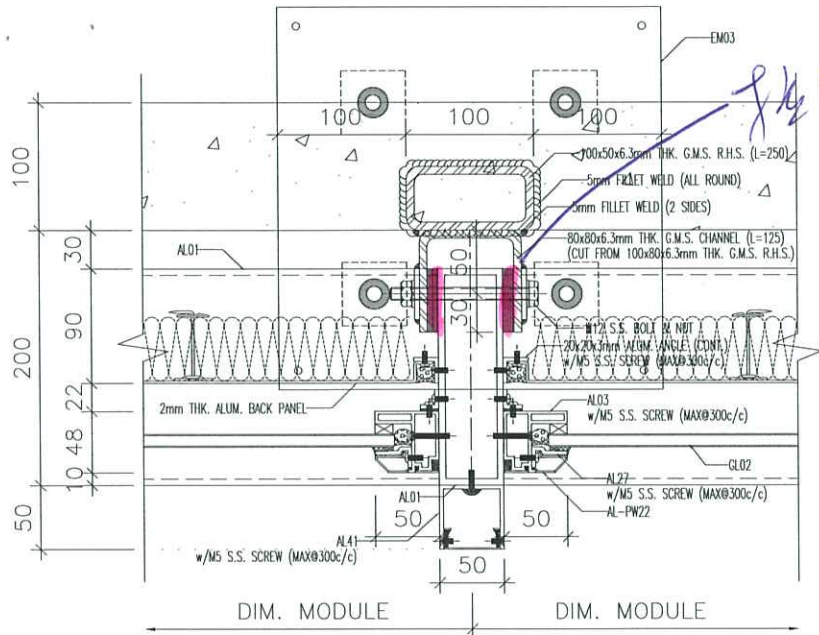
TITLE :
TYPICAL DETAILS FOR
CURTAIN WALL

DATE : 22-Jul-20 SCALE : 1:4

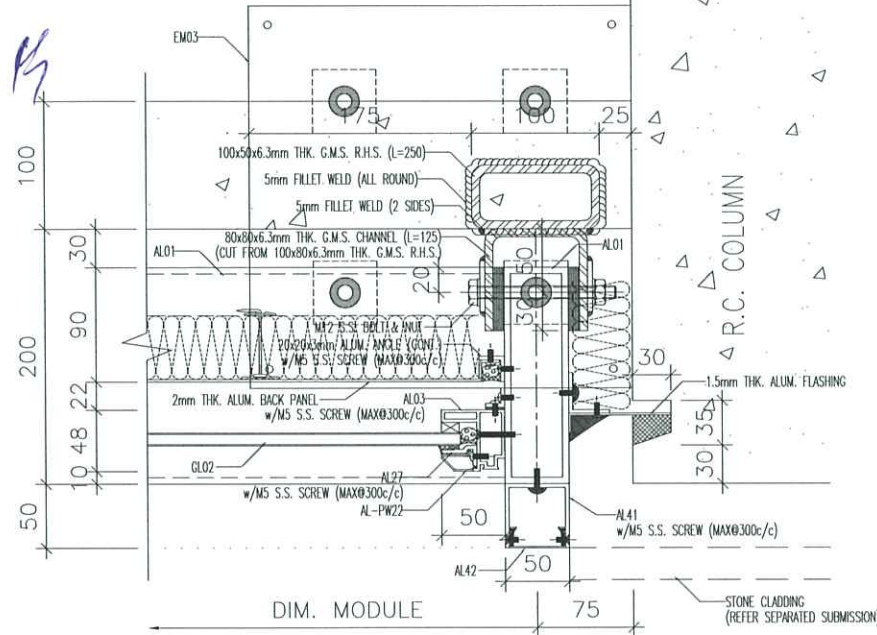
DRAWN BY : MN CHECKED BY : DW

MIDI 美特鋁質有限公司
ALUMINIUM FABRICATOR LTD.
Units 6-8, Sunray Industrial Centre, 1/7
610 Cha Kwo Ling Road, Kowloon
Tel:23489211-4 Fax:(852)27727666

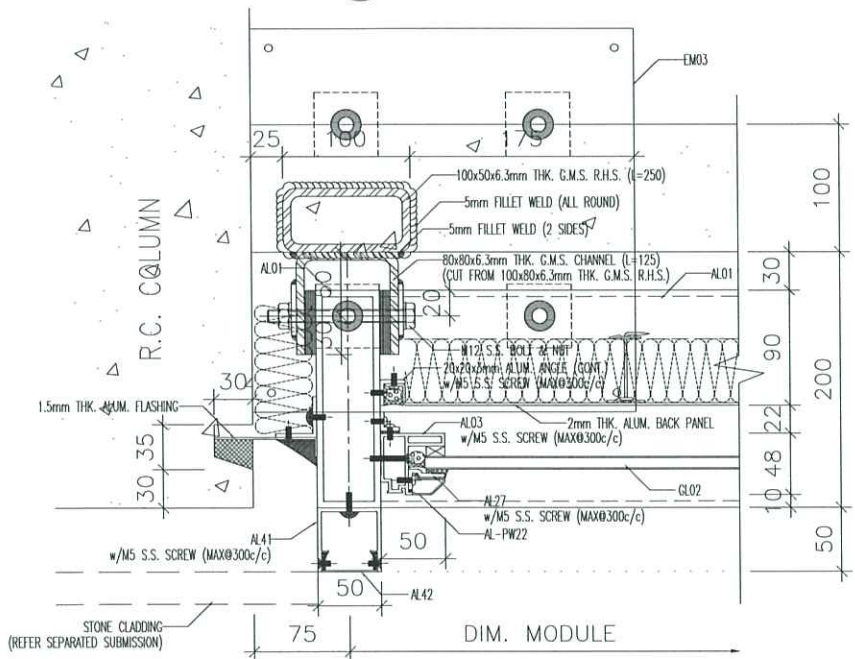
DWG NO. : J852-SD-CW-5003A REV. : C



1 HORIZONTAL DETAIL OUTSIDE
5004



2 HORIZONTAL DETAIL OUTSIDE
5004



3 HORIZONTAL DETAIL OUTSIDE
5004

B.D. REF :

CLIENT :

ARCHITECT :
AGC DESIGN LTD

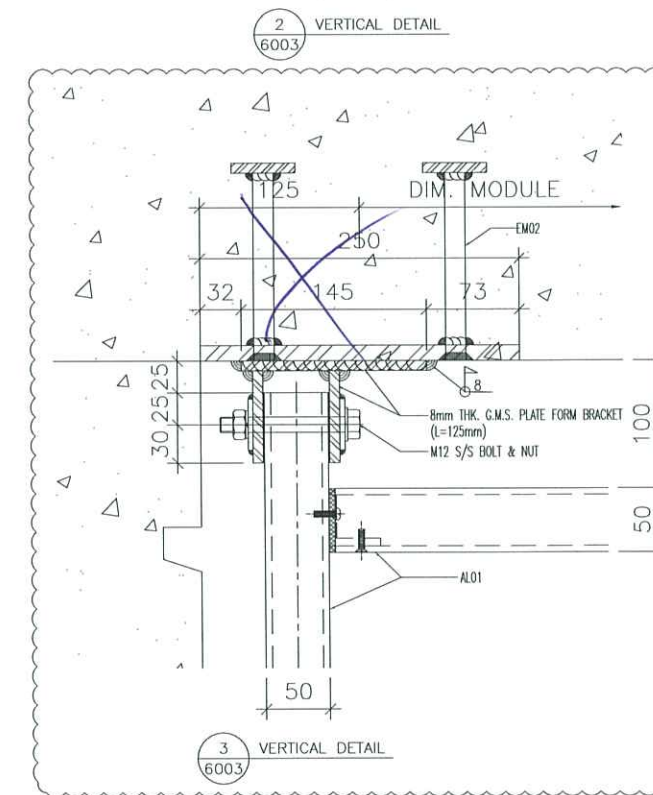
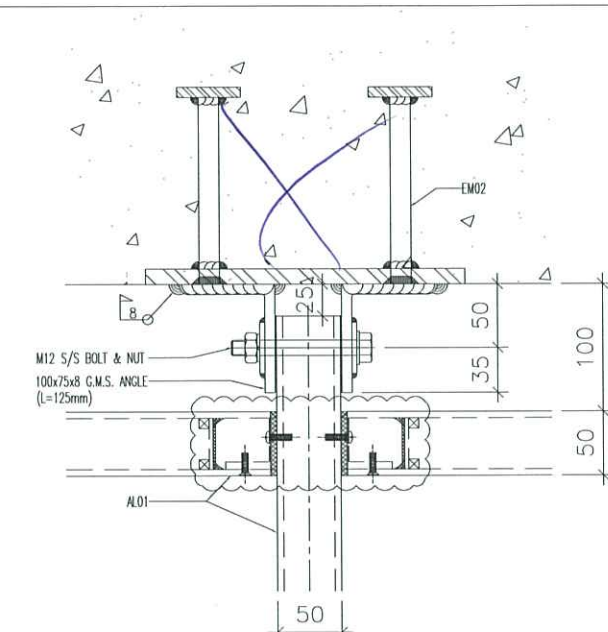
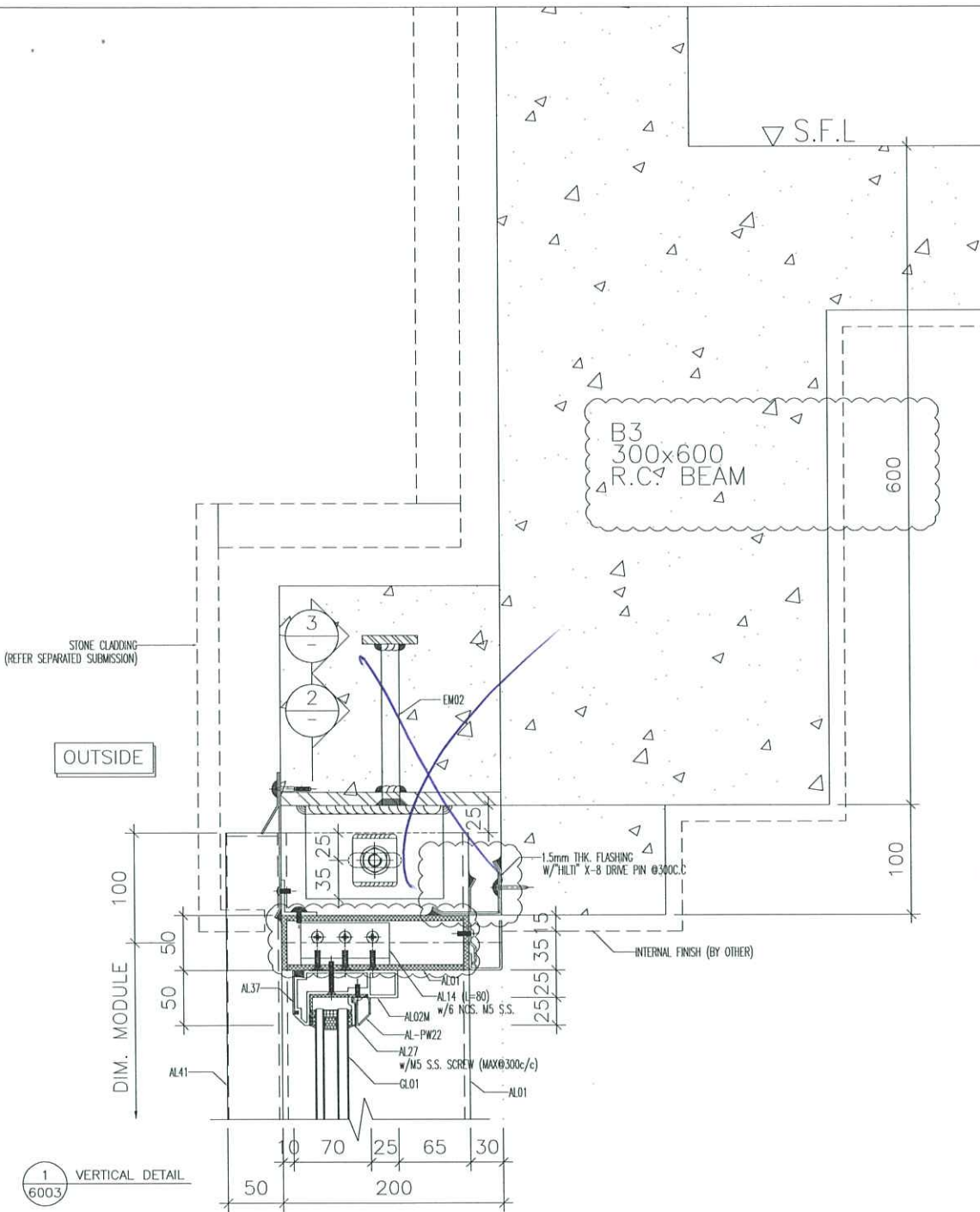
MAIN CONTRACTOR :
Gammon

STRUCTURAL ENGINEER :
ARUP

FAÇADE CONSULTANT :
MEINHARDT

- NOTE :
1. ALL DIMENSIONS ARE IN mm.
 2. ALL ELEVATIONS ARE VIEWED FROM OUTSIDE.
 3. ALL DIMENSIONS TO BE VERIFIED ON SITE BEFORE FABRICATION.
- LEGEND :
- (X1) DETAIL MARK NO.
REFER SHEET NO.
1. F.F.L. — FINISHED FLOOR LEVEL
 2. S.F.L. — STRUCTURAL FLOOR LEVEL
 3. (R) — REVERSED DETAIL
 4. GLASS LEGEND
- [AL01] ALUM EXTRUSION MARK:
REFER TO DRAWING: 1101&1102
- [GL01] GL01 (VISION GLASS):
8mm HEAT STRENGTHENED+12mm AIR GAP
+10mm THK. CLEAR TEMPERED I.G.U.
- [GL02] GL02 (SPANDREL GLASS):
10mm THK. HEAT STRENGTHENED GLASS
- [GL04] GL04 (PROTECTIVE BARRIER):
10mm THK. TEMPERED GLASS

NO.	DATE	REVISION	BY
JOB NO. : J-852			
PROJECT : PROPOSED RESIDENTIAL DEVELOPMENT AT 139 - 147 ARGYLE STREET, NKIL 6005, 6035 R.P., 6036 R.P., 6037 R.P. & 6038 R.P.			
TITLE : TYPICAL DETAILS FOR CURTAIN WALL			
DATE : 22-Jul-20	SCALE : 1:4		
DRAWN BY : MN	CHECKED BY : DW		
美特鋁質有限公司 MID ALUMINUM FABRICATOR LTD. Units 6-8, Sunray Industrial Centre, 1/F 610 Cha Kwo Ling Road, Kowloon Tel:23489211-4 Fax:(852)2727666			
DWG NO. : J852-SD-CW-5004 REV. : C			



B.D. REF :

CLIENT :

ARCHITECT :
AGC
 DESIGN LTD

MAIN CONTRACTOR :
Gammon

STRUCTURAL ENGINEER :
ARUP
 FACADE CONSULTANT:
MEINHARDT

NOTE:
 1. ALL DIMENSIONS ARE IN mm.
 2. ALL ELEVATIONS ARE VIEWED FROM OUTSIDE.
 3. ALL DIMENSIONS TO BE VERIFIED ON SITE BEFORE FABRICATION.

LEGEND:
 (X1) DETAIL MARK NO.
 (X001) REFER SHEET NO.
 1. F.F.L. -- FINISHED FLOOR LEVEL
 2. S.F.L. -- STRUCTURAL FLOOR LEVEL
 3. (P) -- REVERSED DETAIL

4. GLASS LEGEND
 [AL01] ALUM EXTRUSION MARK:
 REFER TO DRAWING: 1101&1102
 [GL01] (VISION GLASS):
 8mm HEAT STRENGTHENED+12mm AIR GAP
 +10mm THK. CLEAR TEMPERED I.G.U.
 [GL02] (SPANDREL GLASS):
 10mm THK. HEAT STRENGTHENED GLASS
 [GL04] (PROTECTIVE BARRIER):
 10mm THK. TEMPERED GLASS

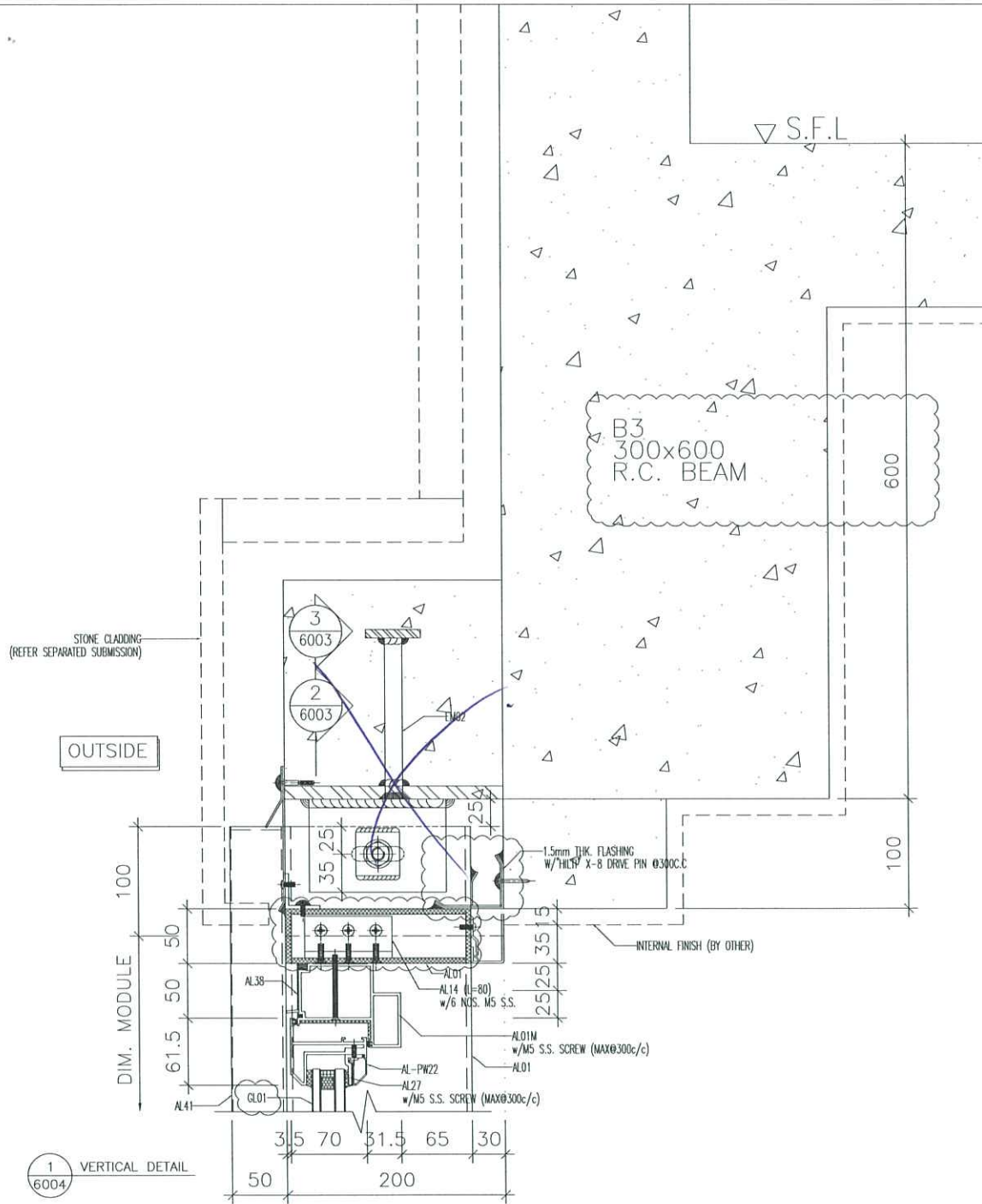
NO.	DATE	REVISION SUBJECT TO COMMENTS	MM	BY
C	22-07-2020	REVISION SUBJECT TO COMMENTS	MM	
B	06-06-2020	REVISION SUBJECT TO COMMENTS	MM	
A	24-02-2020	REVISION SUBJECT TO COMMENTS	MM	

JOB NO. : J-852
 PROJECT :
 PROPOSED RESIDENTIAL DEVELOPMENT
 AT 139 - 147 ARGYLE STREET,
 NKIL 6005, 6035 R.P., 6036 R.P.,
 6037 R.P. & 6038 R.P.

TITLE :
 TYPICAL DETAILS FOR
 CURTAIN WALL

DATE : 17-DEC-19 SCALE : 1:4
 DRAWN BY : MN CHECKED BY : DW

MIDI 美特鋁質有限公司
 MIDY ALUMINIUM FABRICATOR LTD.
 Units 6-8, Surrey Industrial Centre, 1/7
 610 Che Kwo Ling Road, Kowloon
 Tel:23489211-4 Fax:(852)27727666
 DWG NO. : J852-SD-CW-6003 REV. : C



B.D. REF :

CLIENT :

ARCHITECT :
AGC DESIGN LTD

MAIN CONTRACTOR :
Gammon

STRUCTURAL ENGINEER :
ARUP

FACADE CONSULTANT:
MEINHARDT

NOTE :
 1. ALL DIMENSIONS ARE IN mm.
 2. ALL ELEVATIONS ARE VIEWED FROM OUTSIDE.
 3. ALL DIMENSIONS TO BE VERIFIED ON SITE BEFORE FABRICATION.

LEGEND :
 (X1) DETAIL MARK NO.
 (X001) REFER SHEET NO.
 1. F.F.L. --- FINISHED FLOOR LEVEL
 2. S.F.L. --- STRUCTURAL FLOOR LEVEL
 3. (R) --- REVERSED DETAIL

4. GLASS LEGEND
 [AL01] ALUM EXTRUSION MARK:
 REFER TO DRAWING: 1101&1102
 [GL01] GL01 (VISION GLASS):
 8mm HEAT STRENGTHENED+12mm AIR GAP
 +10mm THK. CLEAR TEMPERED I.G.U.
 [GL02] GL02 (SPANDREL GLASS):
 10mm THK. HEAT STRENGTHENED GLASS
 [GL04] GL04 (PROTECTIVE BARRIER):
 10mm THK. TEMPERED GLASS

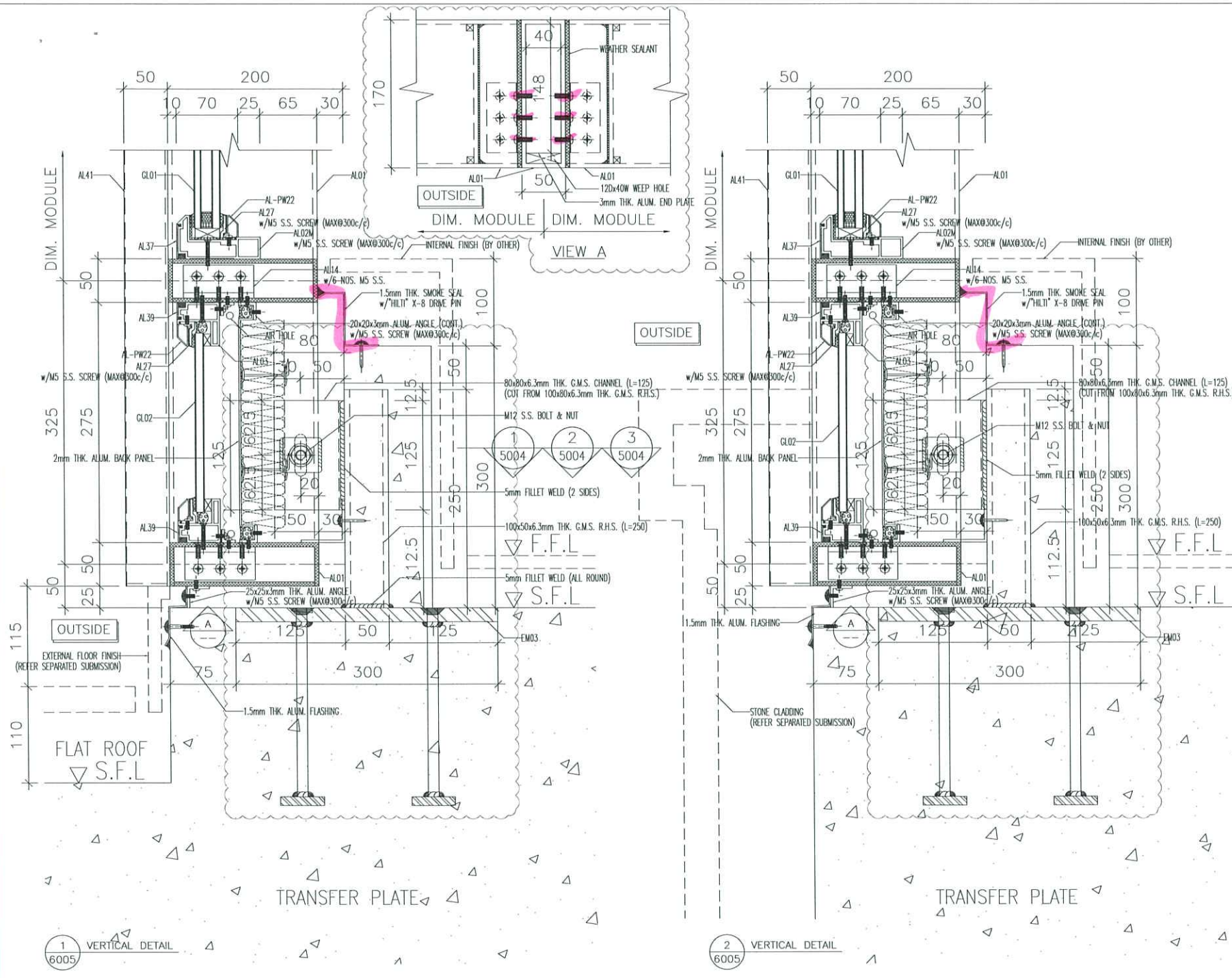
C	25-07-2020	REVISION SUBJECT TO COMMENTS	MN
B	08-09-2020	REVISION SUBJECT TO COMMENTS	MN
A	24-02-2020	REVISION SUBJECT TO COMMENTS	MN
NO.	DATE	REVISION	BY

JOB NO. : J-852
 PROJECT :
 PROPOSED RESIDENTIAL DEVELOPMENT
 AT 139 - 147 ARGYLE STREET,
 NKIL 6005, 6035 R.P., 6036 R.P.,
 6037 R.P. & 6038 R.P.

TITLE :
 TYPICAL DETAILS FOR
 CURTAIN WALL

DATE : 17-DEC-19 SCALE : 1:4
 DRAWN BY : MN CHECKED BY : DW

MIDI 美特鋁質有限公司
 ALUMINIUM FABRICATOR LTD.
 Units 5-8, Sunny Industrial Centre, 1/7
 610 Cha Kwo Ling Road, Kowloon
 Tel:23489211-4 Fax:(852)2727666
 DWG NO. : J852-SD-CW-6004 REV. : C



B.D. REF :

CLIENT :

ARCHITECT : **AGC DESIGN LTD**

MAIN CONTRACTOR : **Gammon**

STRUCTURAL ENGINEER : **ARUP**

FACADE CONSULTANT : **MEINHARDT**

NOTE :

1. ALL DIMENSIONS ARE IN mm.
2. ALL ELEVATIONS ARE VIEWED FROM OUTSIDE.
3. ALL DIMENSIONS TO BE VERIFIED ON SITE BEFORE FABRICATION.

LEGEND :

(X1) DETAIL MARK NO.
(X001) REFER SHEET NO.

1. F.F.L. --- FINISHED FLOOR LEVEL
2. S.F.L. --- STRUCTURAL FLOOR LEVEL
3. (A) --- REVERSED DETAIL

4. GLASS LEGEND

[AL01] ALUM EXTRUSION MARK: REFER TO DRAWING: 1101&1102
[GLO1] GL01 (VISION GLASS): 8mm HEAT STRENGTHENED+12mm AIR GAP +10mm THK. CLEAR TEMPERED I.G.U.
[GLO2] GL02 (SPANDREL GLASS): 10mm THK. HEAT STRENGTHENED GLASS
[GLO4] GL04 (PROTECTIVE BARRIER): 10mm THK. TEMPERED GLASS

C	22-07-2020	REVISION SUBJECT TO COMMENTS	MN
II	08-09-2020	REVISION SUBJECT TO COMMENTS	MN
A	24-02-2020	REVISION SUBJECT TO COMMENTS	MN
NO.	DATE	REVISION	BY

JOB NO. : J-852

PROJECT : PROPOSED RESIDENTIAL DEVELOPMENT AT 139 - 147 ARGYLE STREET, NKIL 6005, 6035 R.P., 6036 R.P., 6037 R.P. & 6038 R.P.

TITLE : TYPICAL DETAILS FOR CURTAIN WALL

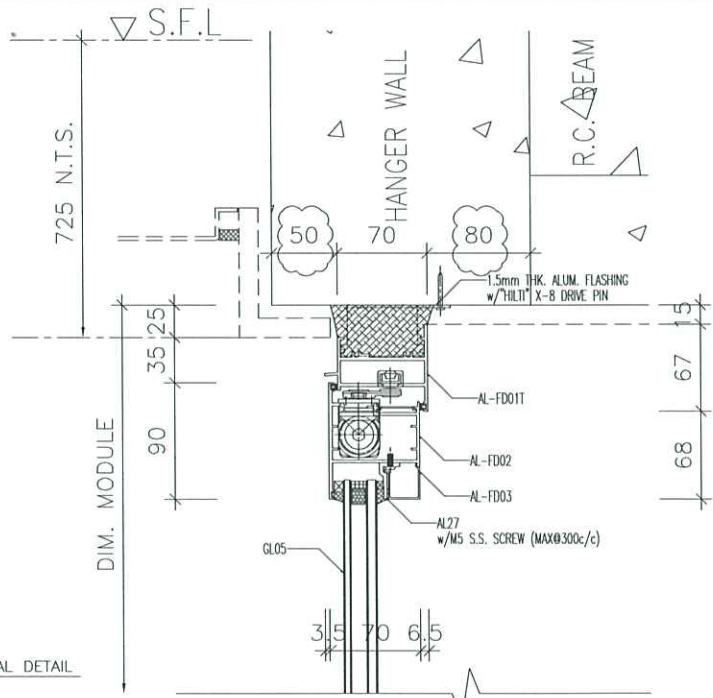
DATE : 17-DEC-19 SCALE : 1:4

DRAWN BY : MN CHECKED BY : DW

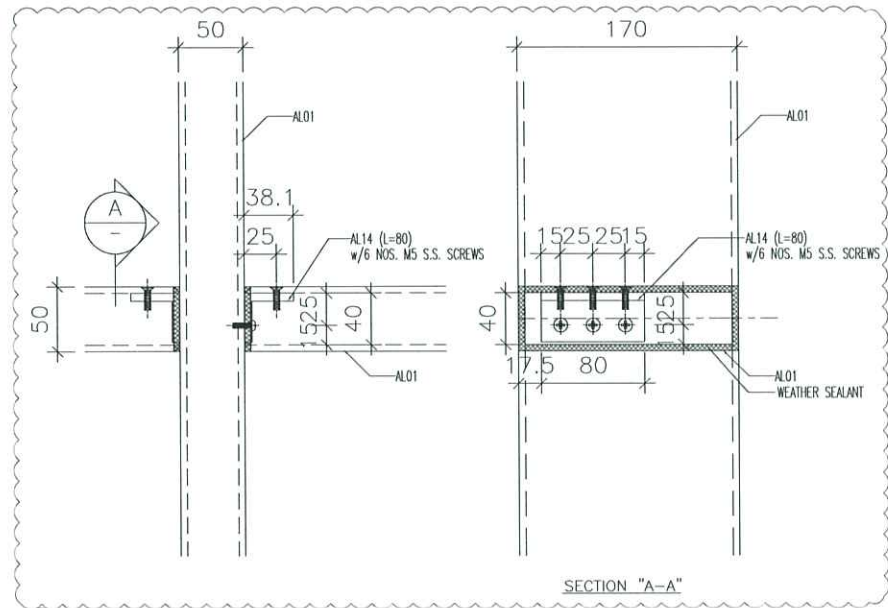
美特铝业有限公司
MIDI ALUMINIUM FABRICATOR LTD.
Units 6-8, Sunny Industrial Centre, 1/F
610 Cha Kwo Ling Road, Kowloon
Tel:23489211-4 Fax:(852)27272666

DWG NO. : J852-SD-CW-6005 REV. : C

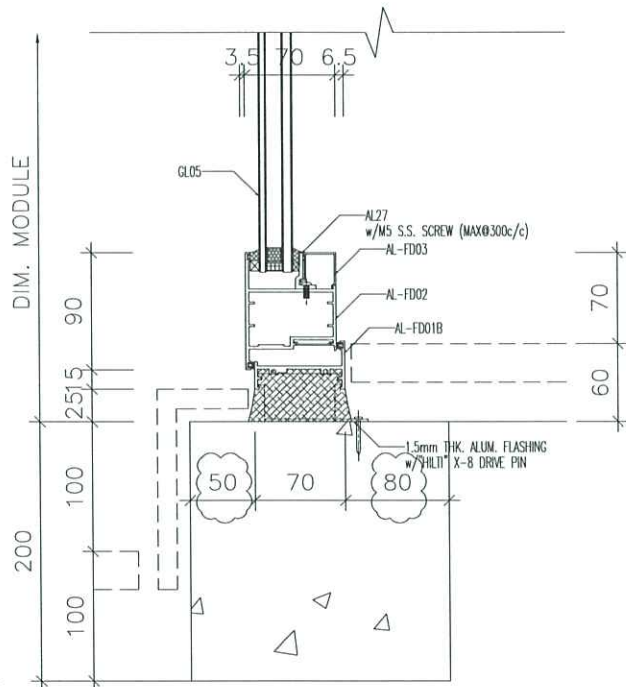
1 VERTICAL DETAIL
6006



3 CONNECTION DETAIL
6006 MULLION & TRANSOM



2 VERTICAL DETAIL
6006



B.D. REF :

CLIENT :

ARCHITECT :
AGC DESIGN LTD

MAIN CONTRACTOR :
Gammon

STRUCTURAL ENGINEER :
ARUP

FACADE CONSULTANT:
MEINHARDT

NOTE:
1. ALL DIMENSIONS ARE IN mm.
2. ALL ELEVATIONS ARE VIEWED FROM OUTSIDE.
3. ALL DIMENSIONS TO BE VERIFIED ON SITE BEFORE FABRICATION.

LEGEND:
 (X1) DETAIL MARK NO.
 (X001) REFER SHEET NO.
 1. F.F.L. --- FINISHED FLOOR LEVEL
 2. S.F.L. --- STRUCTURAL FLOOR LEVEL
 3. (R) --- REVERSED DETAIL

4. GLASS LEGEND
 [A01] ALUM EXTRUSION MARK:
 REFER TO DRAWING: 1101&1102
 [GLO1] (VISION GLASS):
 8mm HEAT STRENGTHENED+12mm AIR GAP
 +10mm THK. CLEAR TEMPERED I.G.U.
 [GLO2] (SPANDREL GLASS):
 10mm THK. HEAT STRENGTHENED GLASS
 [GLO4] (PROTECTIVE BARRIER):
 10mm THK. TEMPERED GLASS

NO.	DATE	REVISION	REVISION	BY
C	22-07-2020	REVISION SUBJECT TO COMMENTS		MN
B	06-05-2020	REVISION SUBJECT TO COMMENTS		MN
A	24-02-2020	REVISION SUBJECT TO COMMENTS		MN

JOB NO. : J-852
 PROJECT :
 PROPOSED RESIDENTIAL DEVELOPMENT
 AT 139 - 147 ARGYLE STREET,
 NKIL 6005, 6035 R.P., 6036 R.P.,
 6037 R.P. & 6038 R.P.

TITLE :
 TYPICAL DETAILS FOR
 CURTAIN WALL

DATE : 17-DEC-19 SCALE : 1:4
 DRAWN BY : MN CHECKED BY : DW

美特鋁質有限公司
MIDI ALUMINUM FABRICATOR LTD.
 Units 6-8, Sunray Industrial Centre, 1/F
 61D Cho Kwo Ling Road, Kowloon
 Tel:23489211-4 Fax:(852)2727866

DWG NO. : J852-SD-CW-6006 REV. : C