

工程指示 / 要求簡箋(E.I.)

工程指示編號：EI / 2174 20

修改版次：

工程編號：J - 852

工程名稱：亞皆老街中電

工程項目：水線碼報價 (佛沙富)

收件人：QS

發件人：Bessie Lau

日期：22/07/2020

要求提供 / 確認 事項：

- | | | |
|------------------------------------|-------------------------------------|-------------------------------|
| <input type="checkbox"/> 初步鋁料 B.M. | <input type="checkbox"/> 加工拆圖，然後生產 | <input type="checkbox"/> 尺寸表 |
| <input type="checkbox"/> 正式鋁料 B.M. | <input type="checkbox"/> 技術上資料 / 指示 | <input type="checkbox"/> 報價 |
| <input type="checkbox"/> 配件 B.M. | <input type="checkbox"/> 樣辦或貨品說明書 | <input type="checkbox"/> 分判合約 |
| <input type="checkbox"/> 其他：_____ | | |

派人到佛沙場

內容：

現附上水線碼的資料以供報價，謝謝！

由廠家裝水線碼未有
工數紀錄提供。

共 894 件 + 60 件 (後備)

附 CONFIRMATION LETTER

請在 _____ 前完成上列要求。

附有關圖紙 / 文件：

以上項目為：

- 原合約工程包 原合約工程加 / 減賬 新工程報價

原因：-

分發東莞各部門：

- () 生產技術總監 連附件 () 技術部 連附件 () 生產部 連附件 () 機械設計部 連附件
 () 採購部 連附件 () 生產統籌部 連附件
 () 質檢部 連附件 () 會計部 連附件 () 報關組 連附件 () 其他 _____ 連附件

分發其他分判：

- () 水洪 連附件

分發香港各部門：

- () 行政部 連附件 () 會計部 連附件 () 統籌部 連附件 () 工程部地盤科文 連附件
 () 採購部 連附件 () QS 部 連附件 () 維修部 連附件 () 其他 _____ 連附件

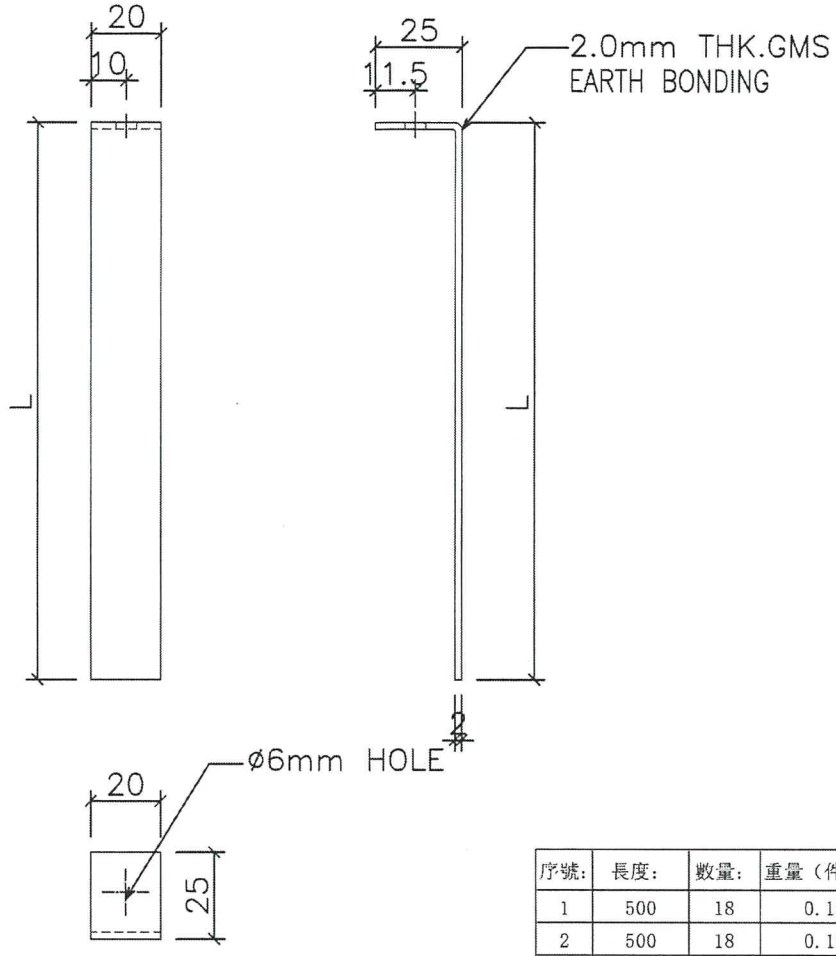
傳遞編號：

發件人簽署：

項目經理簽署：

(Handwritten signatures)

類別	配件	物料號	圖號	J852-PW-GMS-D1
制圖	CJM	2020.06.04	數量	如下表 (個)
修改	A		單件重量(KG)	(kg)/件
日期	2020.06.12			
復核				
批准				

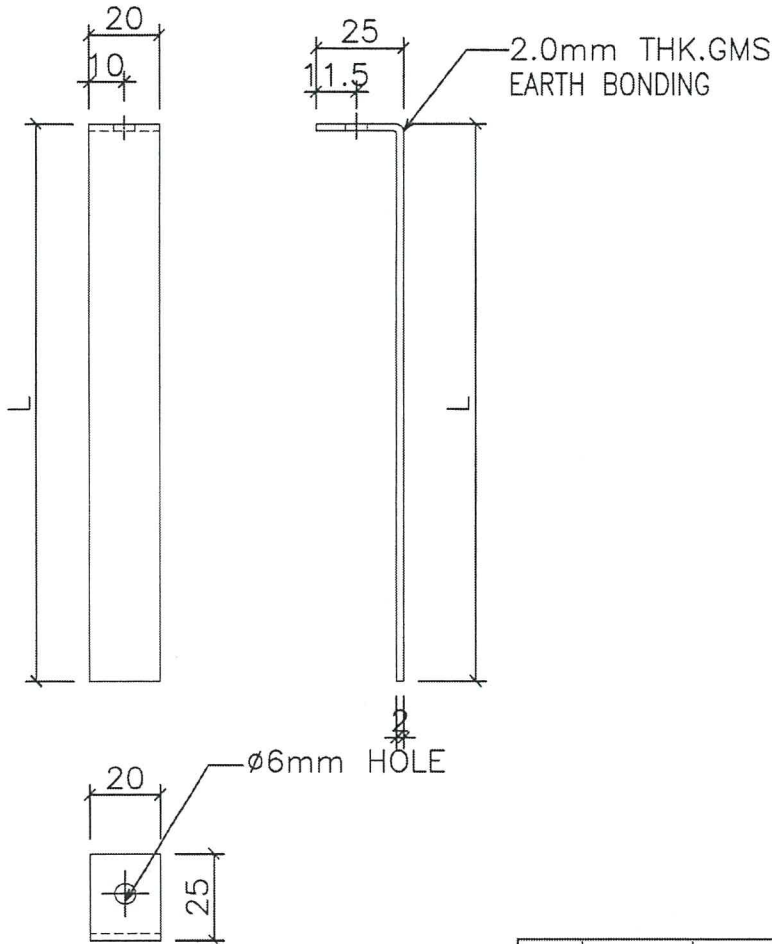


序號:	長度:	數量:	重量 (件)	重量	使用位置
1	500	18	0.16	2.97	W3/T1B (PF-9) 4101
2	500	18	0.16	2.97	W2/T1B (PF-10) 4102
3	500	18	0.16	2.97	W2/T1A (PF-11) 4103
4	500	18	0.16	2.97	W3/T1A (PF-12) 4104
5	500	17	0.16	2.80	W4/T1A (PF-15) 4105
6	500	1	0.16	0.16	W4/T1A (PF-15) 4105
7	500	18	0.16	2.97	W5/T1A (PF-16) 4106
9	500	1	0.16	0.16	W8/T1A (PF-23) 4107
10	500	1	0.16	0.16	W8/T1A (PF-23) 4107
11	800	17	0.26	4.40	W8, 9/T1A (PF-23) 4108
12	800	17	0.26	4.40	W8, 9/T1A (PF-23) 4108
13	500	18	0.16	2.97	W6/T1C (PF-31) 4109
14	500	1	0.16	0.16	W5/T1C (PF-32) 4110
15	500	17	0.16	2.80	W5/T1C (PF-32) 4110
16	1300	18	0.42	7.49	W4, 3/T1C (PF-33) 4111
17	500	18	0.16	2.97	W4, 3/T1C (PF-33) 4111
18	1300	18	0.42	7.49	W5, 4/T1B (PF-37) 4112
19	500	18	0.16	2.97	W5, 4/T1B (PF-37) 4112
20	800	18	0.26	4.66	W6/T1A (PF-24) 4113
21	500	18	0.16	2.97	W6/T1A (PF-24) 4113
22	800	18	0.26	4.66	W7/T1B (PF-22) 4114
23	500	18	0.16	2.97	W7/T1B (PF-22) 4114
			324	69.05	

工程號	J852	地盤	亞皆老街
名稱	佛沙窗水線碼	採用	
材料	G.M.S	地盤	✓
顏色	熱浸鋅	工廠	

附 件	

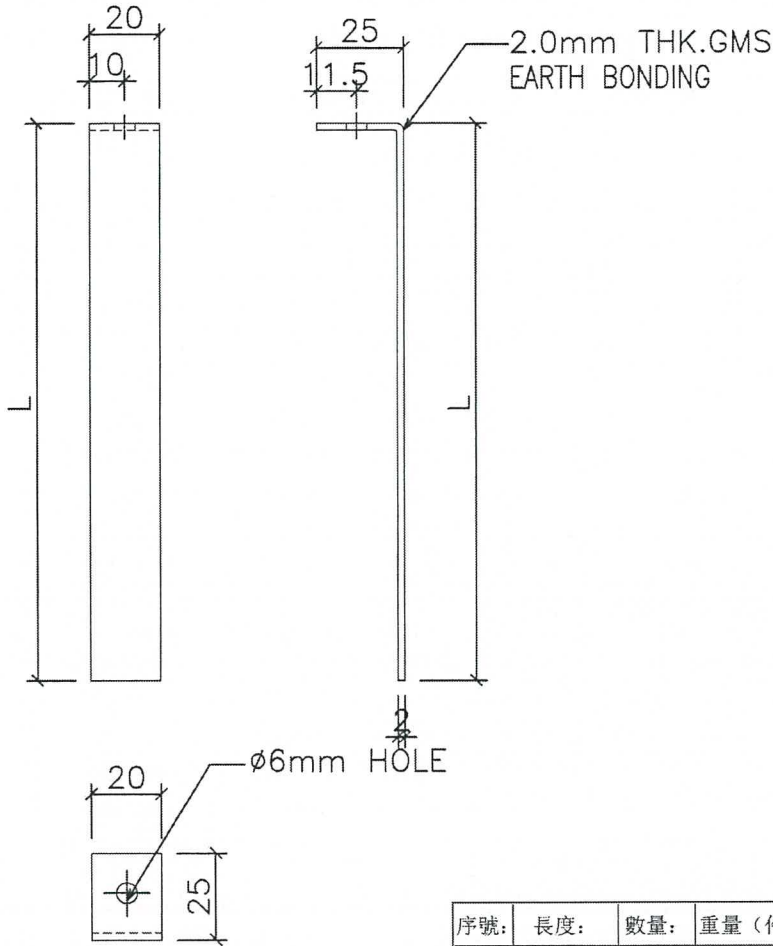
類別	配件	物料號		
制圖	CJM	2020.06.04	圖號	J852-PW-GMS-D2
修改	A		數量	如下表 (個)
日期	2020.06.12		單件重量(KG)	(kg)/件



序號:	長度:	數量:	重量 (件)	重量	使用位置
1	500	18	0.16	2.97	W3/T2A (PF-5) 4201
2	500	18	0.16	2.97	W2/T2A (PF-6) 4202
3	500	18	0.16	2.97	W2/T2B (PF-7) 4203
4	500	18	0.16	2.97	W3/T2B (PF-8) 4204
5	500	18	0.16	2.97	W6/T2C (PF-28) 4205
6	500	1	0.16	0.16	W5/T2C (PF-29) 4106
7	500	17	0.16	2.80	W5/T2C (PF-29) 4106
8	1300	18	0.42	7.49	W4, 3/T2C (PF-30) 4207
9	500	18	0.16	2.97	W4, 3/T2C (PF-30) 4207
10	1300	18	0.42	7.49	W4, 5/T2A (PF-35) 4208
11	500	18	0.16	2.97	W4, 5/T2A (PF-35) 4208
12	500	18	0.16	2.97	W5, 4/T2B (PF-36) 4209
13	1300	18	0.42	7.49	W5, 4/T2B (PF-36) 4209
14	800	17	0.26	4.40	W7/T2A (PF-20) 4210
15	500	17	0.16	2.80	W7/T2A (PF-20) 4210
16	800	17	0.26	4.40	W7/T2A (PF-21) 4211
17	500	17	0.16	2.80	W7/T2A (PF-21) 4211
		281		63.59	

工程號	J852	地盤	亞答老街	附 件
名稱	佛沙窗水線碼		採用	
材料	G.M.S		地盤 <input checked="" type="checkbox"/>	
顏色	熱浸鋅		工廠	

類別	配件	物料號		
制圖	CJM	2020.06.04	圖號	J852-PW-GMS-D3
修改	A		數量	675 (個)
日期	2020.06.12		單件重量(KG)	(kg)/件



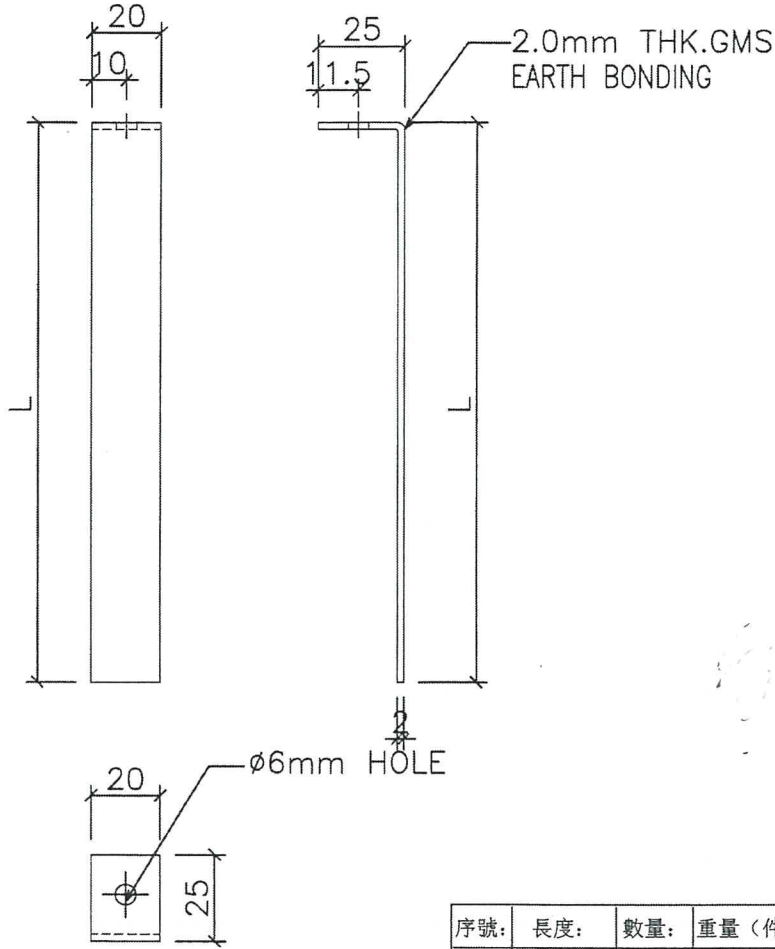
序號:	長度:	數量:	重量 (件)	重量	使用位置
1	500	18	0.16	2.97	W3/T3A (PF-1) 4301
2	500	18	0.16	2.97	W2/T3A (PF-2) 4302
3	500	18	0.16	2.97	W2/T3B (PF-3) 4303
4	500	18	0.16	2.97	W3/T3B (PF-4) 4204
5	500	18	0.16	2.97	W4/T3A (PF-13) 4305
6	500	18	0.16	2.97	W5/T3A (PF-14) 4306
7	800	1	0.26	0.26	W8/T3A (PF-18) 4307
8	500	1	0.16	0.16	W8/T3A (PF-18) 4307
9	800	17	0.26	4.40	W8, 9/T3A (PF-18) 4308
10	500	17	0.16	2.80	W8, 9/T3A (PF-18) 4308
11	500	18	0.16	2.97	W6/T3C (PF-25) 4309
12	500	1	0.16	0.16	W5/T3C (PF-26) 4310
13	500	17	0.16	2.80	W5/T3C (PF-26) 4310
14	1300	18	0.42	7.49	W4, 3/T3C (PF-27) 4311
15	500	18	0.16	2.97	W4, 3/T3C (PF-27) 4311
16	1300	18	0.42	7.49	W5, 4/T3B (PF-34) 4312
17	500	18	0.16	2.97	W5, 4/T3B (PF-34) 4312
18	800	17	0.26	4.40	W7/T3B (PF-19) 4313
19	500	17	0.16	2.80	W7/T3B (PF-19) 4313
		286		59.49	

工程號	J852	地盤	亞皆老街	附 件	
名稱	佛沙窗水線碼		採用		
材料	G.M.S		地盤		✓
顏色	熱浸鋅		工廠		



美特鋁質 有限公司
MIDI Aluminium Fabricator Ltd.

類別	配件	物料號	圖號	J852-PW-GMS-D3
制圖	CJM	2020.06.04	數量	(個)
修改	A		單件重量(KG)	(kg)/件
日期	2020.06.12			



待備

待備

序號	長度	數量	重量 (件)	重量	使用位置
1	500	18	0.16	2.97	W3/T3A (PF-1) 4301
2	500	18	0.16	2.97	W2/T3A (PF-2) 4302
3	500	18	0.16	2.97	W2/T3B (PF-3) 4303
4	500	18	0.16	2.97	W3/T3B (PF-4) 4204
5	500	18	0.16	2.97	W4/T3A (PF-13) 4305
6	500	18	0.16	2.97	W5/T3A (PF-14) 4306
7	800	1	0.26	0.26	W8/T3A (PF-18) 4307
8	800	1	0.16	0.16	W8/T3A (PF-18) 4307
9	800	17	0.26	4.40	W8, 9/T3A (PF-18) 4308
10	500	17	0.16	2.80	W8, 9/T3A (PF-18) 4308
11	500	18	0.16	2.97	W6/T3C (PF-25) 4309
12	500	1	0.16	0.16	W5/T3C (PF-26) 4310
13	500	17	0.16	2.80	W5/T3C (PF-26) 4310
14	1300	18	0.42	7.49	W4, 3/T3C (PF-27) 4311
15	500	18	0.16	2.97	W4, 3/T3C (PF-27) 4311
16	1300	18	0.42	7.49	W5, 4/T3B (PF-34) 4312
17	500	18	0.16	2.97	W5, 4/T3B (PF-34) 4312
18	800	17	0.26	4.40	W7/T3B (PF-19) 4313
19	500	17	0.16	2.80	W7/T3B (PF-19) 4313
		286		59.49	

工程號	J852	地盤	亞皆老街
名稱	佛沙窗水線碼		採用
材料	G.M.S	地盤	✓
顏色	熱浸鋅	工廠	

附件



J3860 - Proposed Residential Development,
At 139 – 147 Argyle Street, Kowloon
For record purpose only
All works should be instructed by A.I.

CONFIRMATION LETTER

To : Mr Brian Leung / Ms Yoanna Chan / Mr Nigel Lo
Meinhardt Façade Technology (HK) Ltd
22/F Great Smart Tower,
230 Wanchai Road,
Wan Chai, Hong Kong

No. CL/A/084 (Rev. 0)
Ref. J3860/304.1/D04243
Date: 08 June 2020

REQUIRED APPROVAL DATE: 22 June 2020

Subject Description: Confirmation of Scope of Earthing Lug for Aluminium Windows

We confirm the following *verbal* / written instruction(s) given by Mr Brian Leung of Meinhardt on 03 June 2020 to our Jackson Mok which are being complied with.

Further to the site progress meeting yesterday, it was clarified and confirmed that earthing lug for aluminium windows shall be supplied and installed by the Windows NSC, Midi, before delivery to precast façade yard.

Enclosed please find our e-mail dated 04 June 2020 for your record.

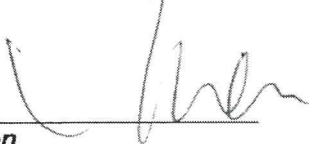
Implication:
<input type="checkbox"/> Time Description: NIL
<input checked="" type="checkbox"/> Cost Description: To be advised
<input type="checkbox"/> Abortive Works Description: NIL

CONFIRMATION LETTER

To : Mr Brian Leung / Ms Yoanna Chan / Mr Nigel Lo Meinhardt Façade Technology (HK) Ltd 22/F Great Smart Tower, 230 Wanchai Road, Wan Chai, Hong Kong	No. CL/A/084 (Rev. 0) Ref. J3860/304.1/D04243 Date: 08 June 2020
---	---

REQUIRED APPROVAL DATE: 22 June 2020

Yours faithfully
 For and on behalf of
 Gammon Engineering &
 Construction Company Limited



Dick Yuen
 Senior Project Manager

DY/AM/AM/wym

Encl

Consultant's Response: [] Time Implication
 [] Cost Implication

Comments:

Confirmed _____ **by:** _____ **Date:** _____

- | | |
|--|---|
| cc <input checked="" type="checkbox"/> Pacific Shine

<input checked="" type="checkbox"/> AGC
<input type="checkbox"/> ARUP (Stru)
<input checked="" type="checkbox"/> W&O
<input checked="" type="checkbox"/> Arcadis
<input type="checkbox"/> AXXA
<input type="checkbox"/> ARUP (Traffic)
<input checked="" type="checkbox"/> WSP
<input type="checkbox"/> RE
<input checked="" type="checkbox"/> OSR
<input checked="" type="checkbox"/> BSI (Sino)
<input checked="" type="checkbox"/> RBSE (W&O)
<input checked="" type="checkbox"/> GECCL
<input checked="" type="checkbox"/> S/C | - Mr Billy Tang / Mr Kocher Wong / Mr Edwin Chow / Mr Simon Chung /
Mr Ross Pau / Mr Ken Ng / Mr Wyman Fong / Mr Jimmy Cheung /
Mr C F Lee / Mr Peter Chong
- Ms Grace Cheng / Mr Raymond Ho
- Mr Johnson Po / Mr Don Ho / Ms Jessy Zhang
- Mr Nier Chan / Mr Anson Lau
- Ms Brenda Mok / Ms Emily Chu
- Ms Siuman Hung / Ms Sammy Tang / Mr Oscar Leung / Ms Yvonne Yau
- Ms Carmen Chu / Mr Eddy Cheung
- Ms Anthea Ng / Mr Dennis Tse
- Mr Matthew Au / Mr Andrew Tai / Mr Yang Li
- Mr K M Pang / Mr H T Tseung / Mr Poon Tsz Kit / Mr S T Chan / Mr Ben Li
- Mr Kelvin Tam
- Mr Kevin Lee
- DY / QS / BS Team / Setting Out
- Midi / Wing Hong Shun |
|--|---|

****Remarks:** w/encl. w/o encl.
 (Page 2 of 6)

Jackson Chor Chiu Mok

From: Jackson Chor Chiu Mok
Sent: 04 June, 2020 1:59 PM
To: -HK-HK4698 147 Argyle Street; billytang@sino.com; jimmynhcheung@sino.com; Raymond Ho (raymondho@agcdesign.com.hk); brian.leung@mfacade.com
Cc: Andy Yu; Rachel Wong; Peter Chong; leecheukfai@sino.com; Rain Sze Wing Lam; Fighter Wei Jie Li; Chi Wing Leung; Jacky Ka Ho Ling; Penny Pui Ying Chau; Man Dick Yuen
Subject: RE: 147 Argyle Street - Clarification Scope of Earthing Lug for Windows at precast units
Importance: High
Expires: 01 December, 2020 12:00 AM

Dear All,

Further to site progress meeting yesterday, we would like to record that Façade Consultant (MFT) agreed that earthing lug for aluminium windows shall be supplied and installed by the Windows NSC, Midi, before delivery to precast façade yard.

Confirmation letter will be issued in due course. Please kindly issue A.I. to cover the additional works.

Best Regards,
Jackson

From: -HK-HK4698 147 Argyle Street [mailto:147ArgyleStreet@arcadis.com]
Sent: 01 June, 2020 6:31 PM
To: Rain Sze Wing Lam <SzeWing.Lam@gammonconstruction.com>; Jackson Chor Chiu Mok <Jackson.Mok@gammonconstruction.com>; Fighter Wei Jie Li <Fighter.Li@gammonconstruction.com>; Chi Wing Leung <Chiwing.Leung@gammonconstruction.com>; Jacky Ka Ho Ling <Jacky.Ling@gammonconstruction.com>; Penny Pui Ying Chau <Penny.Chau@gammonconstruction.com>; Man Dick Yuen <ManDick.Yuen@gammonconstruction.com>
Cc: jimmynhcheung@sino.com; Andy Yu <andyyu@sino.com>; Rachel Wong <rachelwong@sino.com>; billytang@sino.com; Peter Chong <peterchong@sino.com>; leecheukfai@sino.com
Subject: [E] Re: 147 Argyle Street - Clarification Scope of Earthing Lug for Windows at precast units

This email is from **EXTERNAL** - be cautious with any link and attachment

Dear Rain,

As per below email, please be advised that the supply of earthing lugs for Windows at precast units are not under the original Main Contract scope of work, neither for Aluminium Window NSC.

Pursuant to Clause 11 under Conditions of Contract and Clause 6 under Special Conditions of Contract, the Architect may issue instructions in regard to the execution of work (if necessary).

Regards,
Emily Chu

From: Rain Sze Wing Lam
Sent: 26 May, 2020 2:30 PM
To: 147ArgyleStreet@arcadis.com
Cc: jimmynhcheung@sino.com; Jackson Chor Chiu Mok <Jackson.Mok@gammonconstruction.com>; Penny Pui Ying Chau <Penny.Chau@gammonconstruction.com>; Chi Wing Leung <Chiwing.Leung@gammonconstruction.com>; Fighter Wei Jie Li <Fighter.Li@gammonconstruction.com>
Subject: RE: J3860 Argyle Street - Clarification Scope of Earthing Lug for Midi Window

Dear Emily/Jessica

Please help clarify the work scope of captioned subject as stated below.

It's urgent. Precast Façade mass production will commence soon.

Regards
Rain

From: Rain Sze Wing Lam
Sent: 22 May, 2020 4:15 PM
To: 147ArgyleStreet@arcadis.com
Cc: Chi Wing Leung <Chiwing.Leung@gammonconstruction.com>; Fighter Wei Jie Li <Fighter.Li@gammonconstruction.com>
Subject: J3860 Argyle Street - Clarification Scope of Earthing Lug for Midi Window
Importance: High

Dear Emily/Jessica

Enclosed the relevant Spec Prelim of the Main Contract and Midi Sub-Contract about the provision of earthing lug for aluminium windows.

Main Contract (Spec Prelim Cl 2.2 [SP/12] & 9.11 [SP/117])

"...(earthing lug/wiring to be provided by **the Aluminium Window Nominated Sub-Contractor**)."

But, refer to Midi Sub-Contract (Spec Prelim Cl 10.2 [SP/82])

"...(earthing lug/wiring to be provided by **the Main Contractor**)."

Could you please help clarify the work scope related to these earthing lugs for aluminium windows.

As the precast façade will undergo mass production soon (earthing lugs need to deliver to China Fabrication yard), please help check the work scope.

Many Thanks,
Rain Lam
Quantity Surveyor

GECCL
M: +852 9441 0327 | SzeWing.Lam@gammonconstruction.com

Legal Disclaimer

This email (and any attachments) is confidential and subject to copyright. It may be subject to legal or other professional privilege. It is intended for use by the addressee(s) only and if you have received it in error, please notify the sender immediately by return email and delete it from your system. Any personal data in this email must be handled in accordance with applicable privacy laws.

img-52...

img-52...

Combin...

T1-ST-0...

202005...

Fire



71%



SPECIFICATIONS IN GECCL'S CONTRACT

MAIN CONTRACT

SPECIFICATION PRELIMINARIES

2.0 DESCRIPTION OF WORKS (Cont'd)

2.2 Scope of the Works (Cont'd)

- y. Design, obtain Buildings Department's approval and consent, supply and installation of precast concrete façade panel completed with external tiling / cladding to residential towers and all associated works under this Contract as per the Drawings and Specifications, including but not limited to the following:
- 1) taking delivery of aluminium windows (except glass) and embedded brackets and base plates for installation of aluminium window at the entrance of casting yard for precast facade units (location of casting yard to be submitted in tender) and fixing the same including supplying and applying waterproof sealants/caulking between window frames and tiling, cladding or other specified finishings;
 - 2) taking delivery of the external tiling at the entrance of the casting yard including custom clearance, tariff taxes and associated expenses;
 - 3) take delivery of embeds, steel brackets for installation of stone cladding (dry-fix) at the entrance of casting yard for precast façade units and fixing the same including supplying and applying waterproof sealants and bituminous paint to the surface of steel bracket in contact with concrete. The Main Contractor shall co-ordinate and make all necessary arrangements with the external façade contractor as to the time and manner of executing their work or delivering their goods and materials, obtaining full particulars of their requirements and for the execution of the same, and supplying them with all dimensions and other information necessary to ensure that their work may be correctly executed or correct goods and materials supplied;
 - 4) providing, fixing materials/adhesive/grouting and jointing materials between tiling;
 - 5) design, provide and construct the lifting system, temporary supports and fixing details with all necessary brackets and tie bars including interfacing between precast concrete façade and with other in-situ building elements to maintain complete weatherproof structure; including all necessary sealants, pointings, grouting, water stops and other jointing materials to the satisfaction of the Architect. Such joints shall also have the requisite fire rated performance;
 - 6) fixing of provision for bonding for earthing as statutory requirements and including connecting from window to point indicated on the approved shop drawings or as directed by the Architect with concealed earthing lug/wiring (earthing lug/wiring to be provided by the Aluminium Window Nominated Sub-Contractor);
 - 7) conduits and junction boxes;

10.0 MAIN CONTRACTOR'S RELATIONSHIP AND DUTIES TO SUB-CONTRACTORS (Cont'd)

10.2 Main Contractor's Special Attendance to the Curtain Wall, Aluminium Windows and Doors Sub-Contractor / Aluminium Cladding Sub-Contractor / Glass Balustrade Sub-Contractor

The following works and special conditions are to be provided by the Main Contractor:-

- a) Provide tower crane during normal working hours.
- b) Provide material hoist during normal working hours.
- c) Overhead protection and all usual site conveniences.
- d) Principal setting out lines for the ease of installation of the Works.
- e) Installation or casting in of primary anchor parts (supplied by the Nominated Sub-Contractor) to concrete.
- f) Metal scaffolding at the location where the Nominated Sub-Contract Works installation is to be carried out subject to Specification Preliminaries clause 10.1. The Nominated Sub-Contractor is, however, required to erect those scaffolding specifically required for the execution of his own works and modify the metal scaffolding to suit the sub-contract works if necessary.
- g) For the precast façade works, the Main Contractor shall be responsible for fixing of provision for bonding for earthing as statutory requirements and including connecting from windows to points indicated on approved shop drawings or as directed by the Architects with concealed earthing lug/wiring (earthing lug/wiring to be provided by the Main Contractor).

The Main Contractor shall procure that the Nominated Sub-Contractor shall install the whole system (together with associated glazing and accessories) in perfect condition to meet the requirements of the Nominated Sub-Contract documents. The Main Contractor shall procure that during and after the installation on a unit by unit basis the Nominated Sub-Contractor shall provide protection to the external and internal surfaces of the system in accordance with the Sub-Contract Specification - Technical.

The Main Contractor shall provide the supply of basic building materials such as cement, sand, concrete and the like but the actual grouting and bedding for the respective installations shall be the responsibility of the relevant Nominated Sub-Contractor. The Main Contractor shall provide all temporary measures to the mock-up/sample floor for ensuring watertightness in case the installation cannot meet the progress of mock-up/sample floor. Such provision shall be at the Main Contractor's own expense.

10.3 Co-operation with Other Contractors

The Sub-Contractor shall co-operate with the Main Contractor, Specialist Contractors / Sub-Contractors, Separate Contractors, Nominated Sub-Contractors and Nominated Suppliers on the work so that his work will not interfere with other Contractor's work and shall make provisions in their price to provide the required degree of full and complete co-operation between his work and other specialist, manufacturers and various suppliers to ensure a completely satisfactory installation.