

工程指示 / 要求簡箋(E.I.)

工程指示編號：EI / 2133 / 20

修改版次：-

工程編號：J - 852

工程名稱：亞皆老街中電

F.D / S.D

工程項目：後裝窗- 鋁模生產 (45 個) (X85842-X85891)

收件人：Maggie / 生統

發件人：Ant Yeung

日期：17/07/2020

要求提供 / 確認 事項：

- | | | |
|------------------------------------|-------------------------------------|-------------------------------|
| <input type="checkbox"/> 初步鋁料 B.M. | <input type="checkbox"/> 加工拆圖，然後生產 | <input type="checkbox"/> 尺寸表 |
| <input type="checkbox"/> 正式鋁料 B.M. | <input type="checkbox"/> 技術上資料 / 指示 | <input type="checkbox"/> 報價 |
| <input type="checkbox"/> 配件 B.M. | <input type="checkbox"/> 樣辦或貨品說明書 | <input type="checkbox"/> 分判合約 |

內容：

請按加工模圖共 45 個作生產幕牆鋁模用。

按榮陽建議修改 ok X85861，X85850，X85854

暫停 5 個 X85844,X85845,X85847,X85890,X85891。有待改圖

請在 2020 / 07 / 31 前完成上列要求。

附：1 + 50 頁

以上項目為：

- 原合約工程包 原合約工程加 / 減賬 新工程報價

原因：-

分發東莞各部門：

- () 生產技術總監 連附件 () 技術部 連附件 () 生產部 連附件 () 機械設計部 連附件
 () 採購部 連附件 () 生產統籌部 連附件
 () 質檢部 連附件 () 會計部 連附件 () 報關組 連附件 () 其他 楊榮輝 連附件

分發其他分判：

- (v) 水洪 連附件

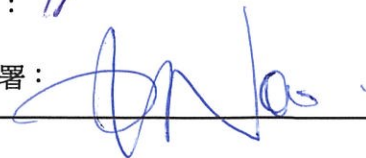
分發香港各部門：

- () 行政部 連附件 () 會計部 連附件 () 統籌部 連附件 () 工程部地盤科文 連附件
 () 採購部 連附件 () QS 部 連附件 () 維修部 連附件 () 其他 _____ 連附件

傳遞編號：

HK 1434 / 20

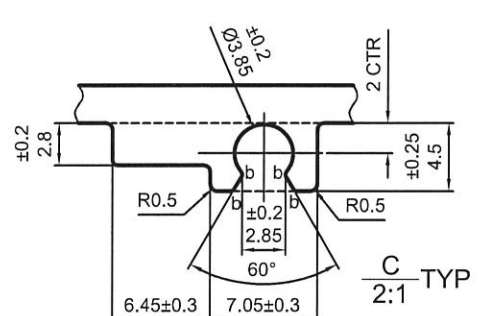
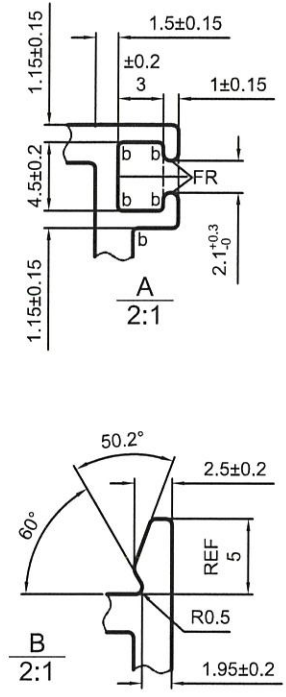
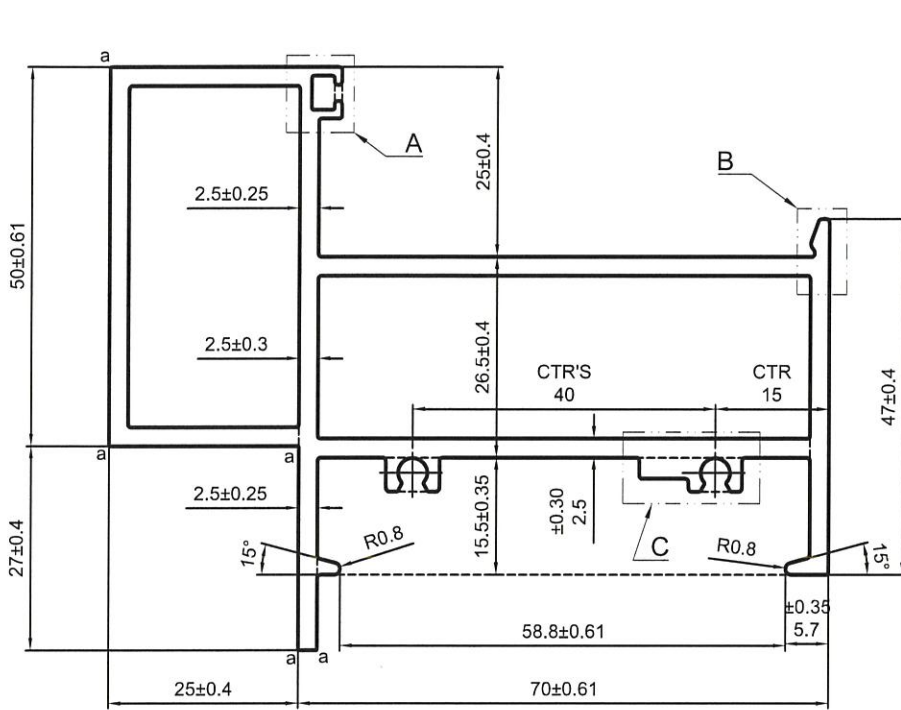
發件人簽署： 

項目經理簽署： 

Aluminium Die for J852 insitu Window , FD door, Slidi

Item	Die no. (midi)	Die no. ()	Member no.	Grade	畫模圖 EI- 2067				開模 EI 2133					Remark	
					0	A	B	C	0	A	B	C	D		
1	X85842	LH0091472	AL-IW01(0)	6063	T6	1				1					
2	X85843	LH0091473	AL-IW01B(0)	6063	T6	1				1					
3	X85844	LH0091474	AL-IW01T(0)	6063	T6	1									要再改
4	X85845	LH0091475	AL-IW02(0)	6063	T6	1									要再改
5	X85846	LH0091476	AL-IW02B(0)	6061	T6	1				1					
6	X85847	LH0091477	AL-IW02T(0)	6061	T6	1									要再改
7	X85848	LH0091478	AL-FD01(0)	6061	T6	1				1					
8	X85849	LH0091479	AL-FD01B(0)	6063	T6	1				1					
9	X85850	LH0091480	AL-FD01M(0)	6063	T6	1				1					按榮陽修改
10	X85851	LH0091481	AL-FD01T(0)	6063	T6	1				1					
11	X85852	LH0091482	AL-FD02(0)	6063	T6	1				1					
12	X85853	LH0091483	AL-FD03(0)	6063	T5	1				1					
13	X85854	LH0091484	AL-40(0)	6063	T5	1				1					按榮陽修改
14	X85855	LH0091485	AL-DS01(0)	6063	T6	1				1					
15	X85856	LH0091486	AL-DS01T(0)	6063	T6	1				1					
16	X85857	LH0091487	AL-DS01B(0)	6063	T6	1				1					
17	X85858	LH0091488	AL-DS02(0)	6063	T6	1				1					
18	X85859	LH0091489	AL-DS02T(0)	6063	T6	1				1					
19	X85860	LH0091490	AL-DS02B(0)	6063	T6	1				1					
20	X85861	LH0091491	AL-DS03(0)	6063	T6	1				1					按榮陽修改
21	X85862	LH0091492	AL-DS04(0)	6063	T5	1				1					
22	X85863	LH0091493	AL-DS05(0)	6063	T6	1				1					
23	X85864	LH0091494	AL-DS05S(0)	6063	T6	1				1					
24	X85865	LH0091495	AL-DS06(0)	6063	T5	1				1					
25	X85866	LH0091496	AL-DS07(0)	6063	T6	1				1					
26	X85867	LH0091497	AL-DS08(0)	6063	T6	1				1					
27	X85868	LH0091498	AL-DS09(0)	6063	T6	1				1					
28	X85869	LH0091499	AL-DS10(0)	6063	T6	1				1					
29	X85870	LH0091500	AL-DS11(0)	6063	T6	1				1					
30	X85871	LH0091501	AL-DS12(0)	6063	T6	1				1					
31	X85872	LH0091502	AL-DS13(0)	6063	T6	1				1					
32	X85873	LH0091503	AL-DS14(0)	6063	T5	1				1					
33	X85874	LH0091504	AL-DS15(0)	6063	T5	1				1					
34	X85875	LH0091505	AL-DS16(0)	6063	T6	1				1					
35	X85876	LH0091506	AL-DS17(0)	6063	T6	1				1					
36	X85877	LH0091507	AL-DS18(0)	6063	T6	1				1					
37	X85878	LH0091508	AL-DS19(0)	6063	T6	1				1					
38	X85879	LH0091509	AL-TS01(0)	6063	T6	1				1					
39	X85880	LH0091510	AL-TS02(0)	6063	T6	1				1					
40	X85881	LH0091511	AL-TS02B(0)	6063	T6	1				1					
41	X85882	LH0091512	AL-TS03(0)	6063	T6	1				1					
42	X85883	LH0091513	AL-TS04(0)	6063	T6	1				1					
43	X85884	LH0091514	AL-TS05(0)	6063	T6	1				1					
44	X85885	LH0091515	AL-TS06(0)	6063	T6	1				1					
45	X85886	LH0091516	AL-TS07(0)	6063	T5	1				1					
46	X85887	LH0091517	AL-TS08(0)	6063	T6	1				1					
47	X85888	LH0091518	AL-TS09(0)	6063	T5	1				1					
48	X85889	LH0091519	AL-TS10(0)	6063	T5	1				1					
49	X85890	LH0091520	AL-TS11(0)	6063	T6	1									配套轆要再改
50	X85891	LH0091521	AL-TS12(0)	6063	T6	1									轆要再改

CUSTOMER	HONGKONG CO.	CUSTOMER APPROVAL	2W01B	CUST PART NO.	X85843
				SECTION NO.	LH0091473

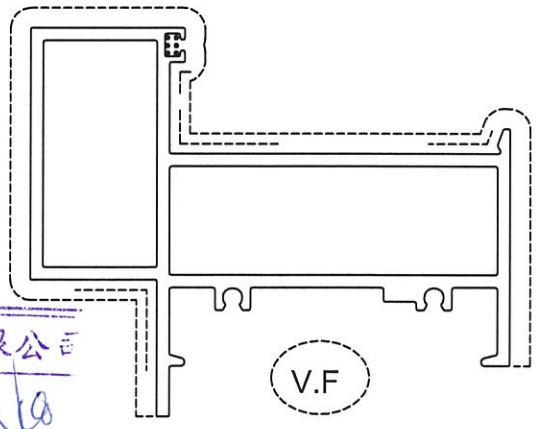


a=R0.2
b=R0.3

- 次要装饰面, 喷涂膜厚不足, 但不露底
- 装饰面
- 凹槽位置可能会有露底现象, 即膜厚不足

备注: 没有配合型号!

美特铝质有限公司
承認圖面
日期 16-7-20

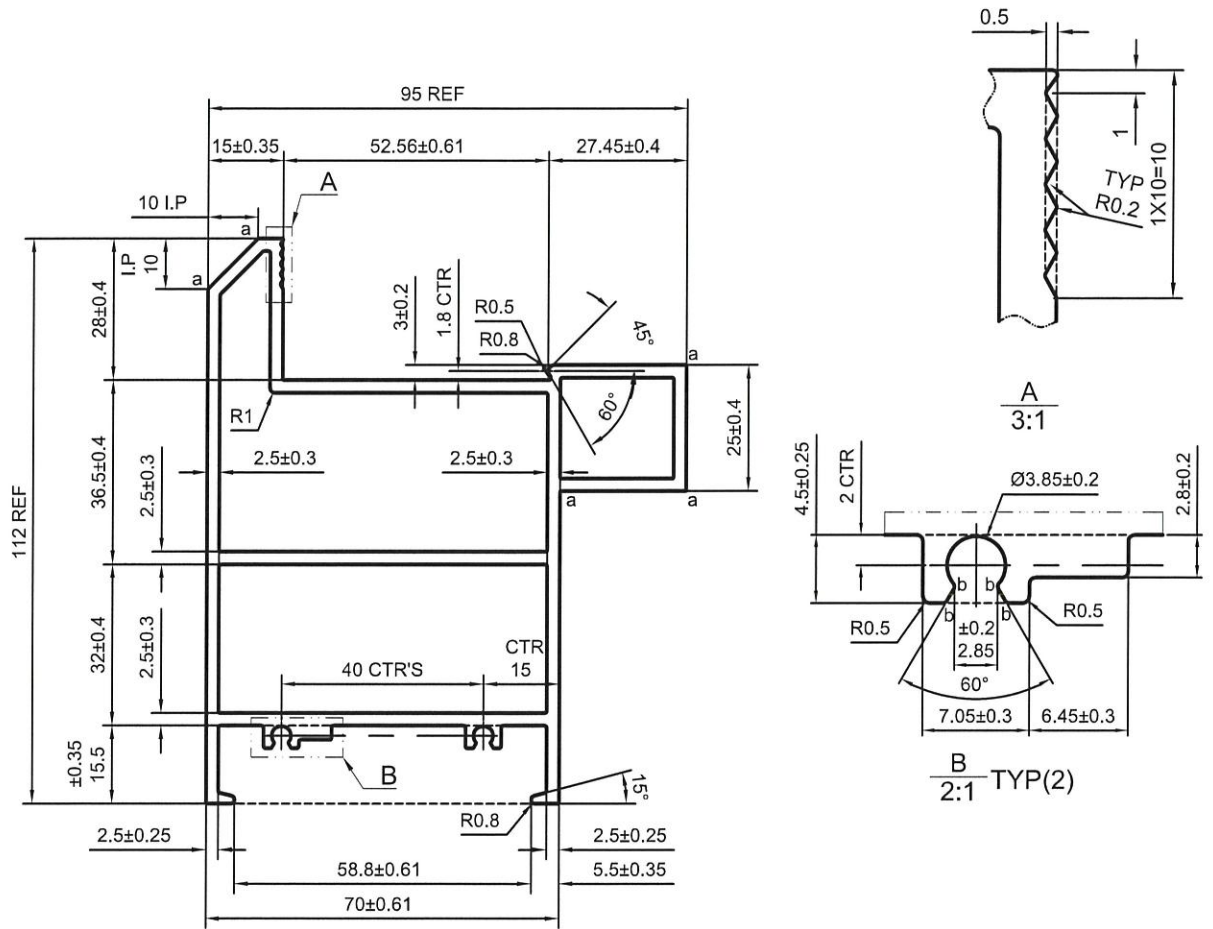


SCALE 1:1.5

SIGNATURE GRADEING	HIGH SIGNATURE GRADEING	C.C.DIA(MM)	Ø 117.74		喷涂收费周长(mm):		290.13		
AREA (SQ MM)	938.57	UNSPECIFIED THICKNESS	2.5±0.25	PERIMETER (MM)	440.72	STANDARD	BS EN755	SCALE	1:1
MASS (KG/M)	2.544	UNSPECIFIED CORNERS	R 0.4	SURFACE AREA	290.13	ALLOY	6063-T6	VERSION	A
COMPANY ISSUE	A	DRAWN	杨绿山	DATE	2020-07-11	APPELLATION	-	PAGE OF	
		STANDARDIZATION		DATE					
		TO SIGN	王添明	DATE					
		AUDITING		DATE					
MARKER	MODIFY	FILE NO	SIGNATURE	DATE	APPROV				



CUSTOMER	HONGKONG CO.	CUSTOMER APPROVAL	2020	CUST PART NO.	X85846
				SECTION NO.	LH0091476

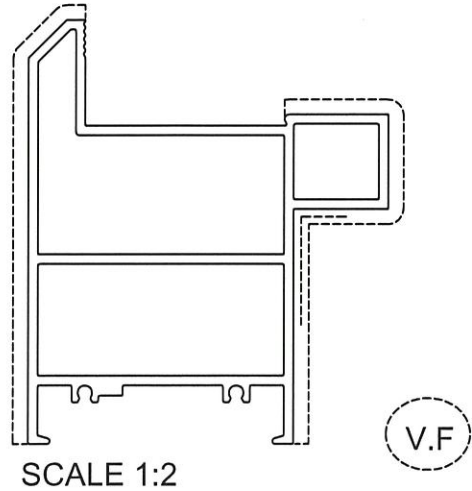


美特鋁質有限公司
承認圖面
日期 16-7-20

a=R0.2
b=R0.3
c=R0.1

----- 次要装饰面, 喷涂膜厚不足, 但不露底
----- 装饰面

备注: 没有配合型号!



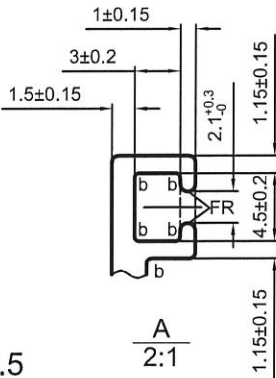
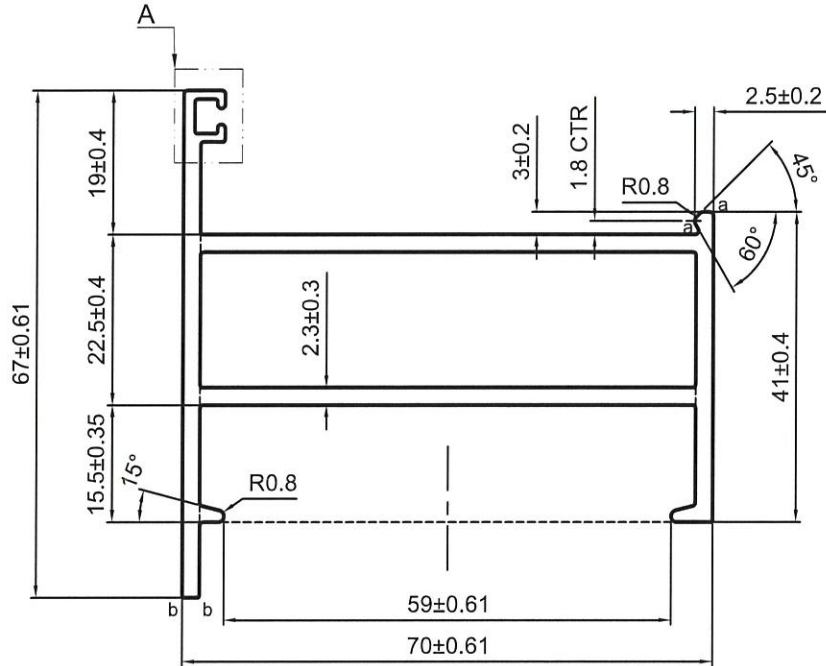
SCALE 1:2

SIGNATURE GRADEING	HIGH SIGNATURE GRADEING	C.C.DIA(MM)	Ø 131.16			喷涂收费周长(mm):		291.53	
AREA (SQ MM)	1276.62	UNSPECIFIED THICKNESS	2.5±0.25	PERIMETER (MM)	485.91	STANDARD	BS EN755	SCALE	1:1.5
MASS (KG/M)	3.460	UNSPECIFIED CORNERS	R 0.4	SURFACE AREA	262.07	ALLOY	6063-T6	VERSION	A
COMPANY ISSUE		A	DRAWN	蔡晓婷	DATE	2020-07-11	APELLATION	-	PAGE OF
			STANDARDIZATION		DATE				
			TO SIGN	王添明	DATE				
			AUDITING		DATE				
MARKER	MODIFY	FILE NO	SIGNATURE	DATE	APPROV	DATE			



PANSIA ALUMINUM
(CHINA) LIMITED 3

CUSTOMER	HONGKONG CO.	CUSTOMER APPROVAL	1b01	CUST PART NO.	X85848
				SECTION NO.	LH0091478

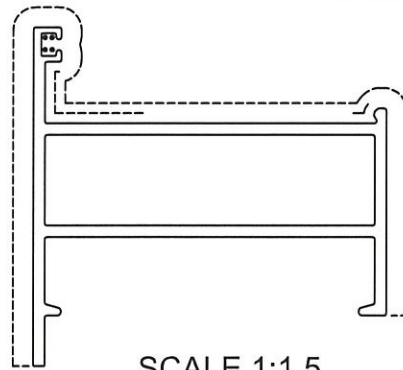


a=R0.5
b=R0.3

- 次要装饰面, 喷涂膜厚不足, 但不露底
- 装饰面
- 凹槽位置可能有露底现象, 即膜厚不足

备注: 没有配合型号!

美特铝质有限公司
承認圖面
日期 16-7-20



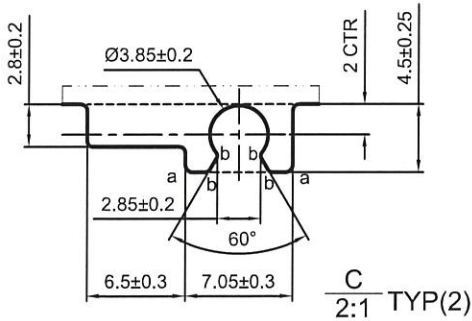
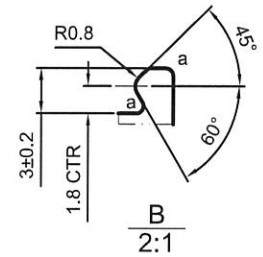
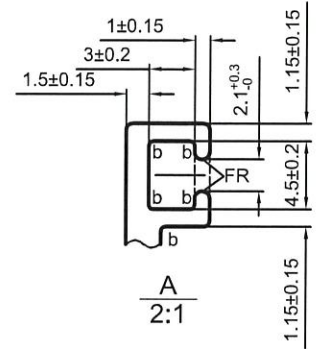
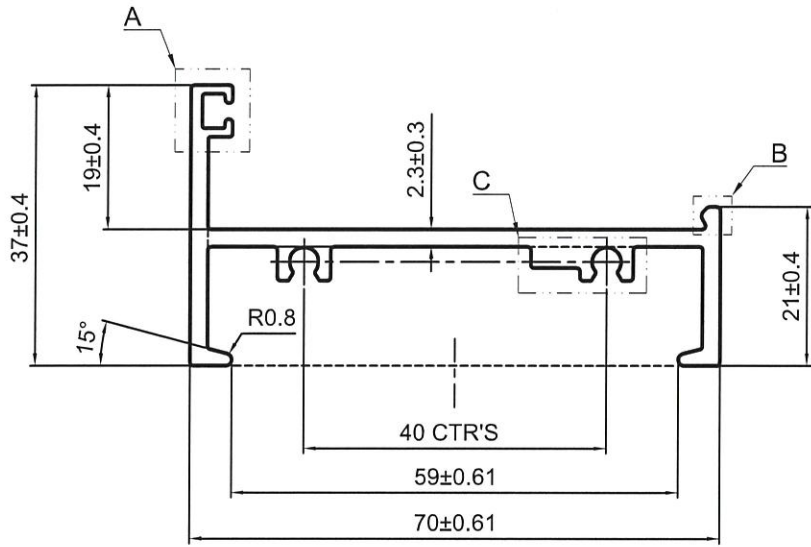
V.F

SIGNATURE GRADEING	HIGH SIGNATURE GRADEING	C.C.DIA(MM)	Ø 90.89				喷涂收费周长(mm):		217.10
AREA (SQ MM)	566.38	UNSPECIFIED THICKNESS	2.3±0.25	PERIMETER (MM)	336.84	STANDARD	BS EN755	SCALE	1:1
MASS (KG/M)	1.535	UNSPECIFIED CORNERS	R 0.4	SURFACE AREA	217.10	ALLOY	6063-T6	VERSION	A
COMPANY ISSUE		A	DRAWN	蔡晓婷	DATE	2020-07-11	APPELLATION	-	PAGE OF
			STANDARDIZATION		DATE				
			TO SIGN	王添明	DATE				
			AUDITING		DATE				
MARKER	MODIFY	FILE NO	SIGNATURE	DATE	APPROV	DATE			



PANSIA ALUMINUM (CHINA) LIMITED

CUSTOMER	HONGKONG CO.	CUSTOMER APPROVAL	7601B	CUST PART NO.	X85849
				SECTION NO.	LH0091479

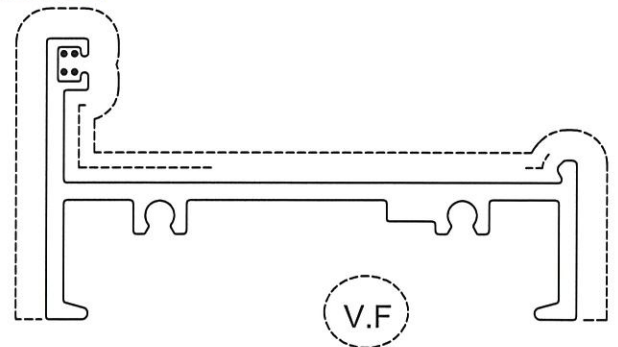


美特鋁質有限公司
承認圖面
日期 16-7-20

a=R0.5
b=R0.3

- 次要裝飾面, 噴塗膜厚不足, 但不露底
- 裝飾面
- 凹槽位置可能有露底現象, 即膜厚不足

备注: 没有配合型号!

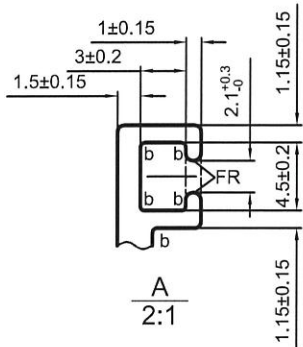
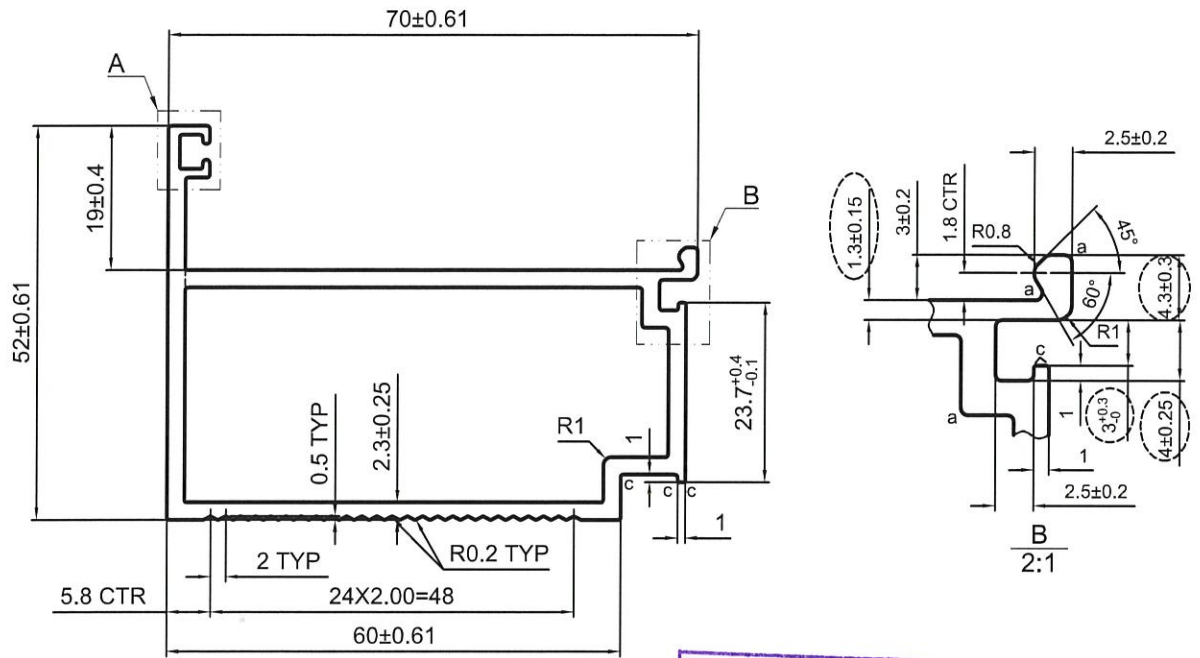


SCALE 1:1

SIGNATURE GRADEING	HIGH SIGNATURE GRADEING	C.C.DIA(MM)	Ø 78.90		噴塗收費周長(mm):		185.14		
AREA (SQ MM)	353.37	UNSPECIFIED THICKNESS	2.3±0.25	PERIMETER (MM)	308.57	STANDARD	BS EN755	SCALE	1:1
MASS (KG/M)	0.958	UNSPECIFIED CORNERS	R 0.4	SURFACE AREA	167.16	ALLOY	6063-T6	VERSION	A
COMPANY ISSUE		A	DRAWN	蔡曉婷	DATE	2020-07-11	APPELLATION	-	PAGE OF
			STANDARDIZATION		DATE				
			TO SIGN	王添明	DATE				
			AUDITING		DATE				
MARKER	MODIFY	FILE NO	SIGNATURE	DATE	APPROV	DATE			

PANASIA ALUMINUM (CHINA) LIMITED

CUSTOMER	HONGKONG CO.	CUSTOMER APPROVAL	Fbom	CUST PART NO.	X85850
				SECTION NO.	LH0091480

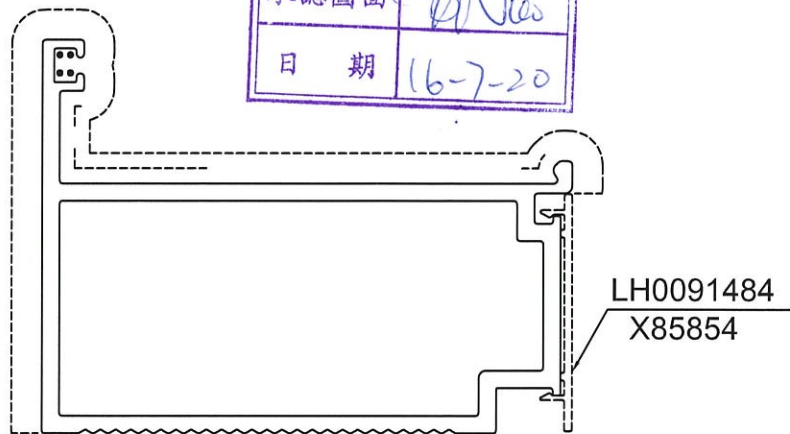


a=R0.5
b=R0.3
c=R0.2
d=R1.5

- 次要装饰面, 喷涂膜厚不足, 但不露底
- 装饰面
- 凹槽位置可能有露底现象, 即膜厚不足

*配合尺寸以实物配合效果为准!

美特铝质有限公司
承認圖面 *[Signature]*
日期 16-7-20



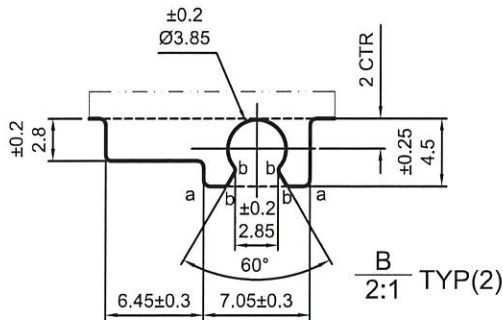
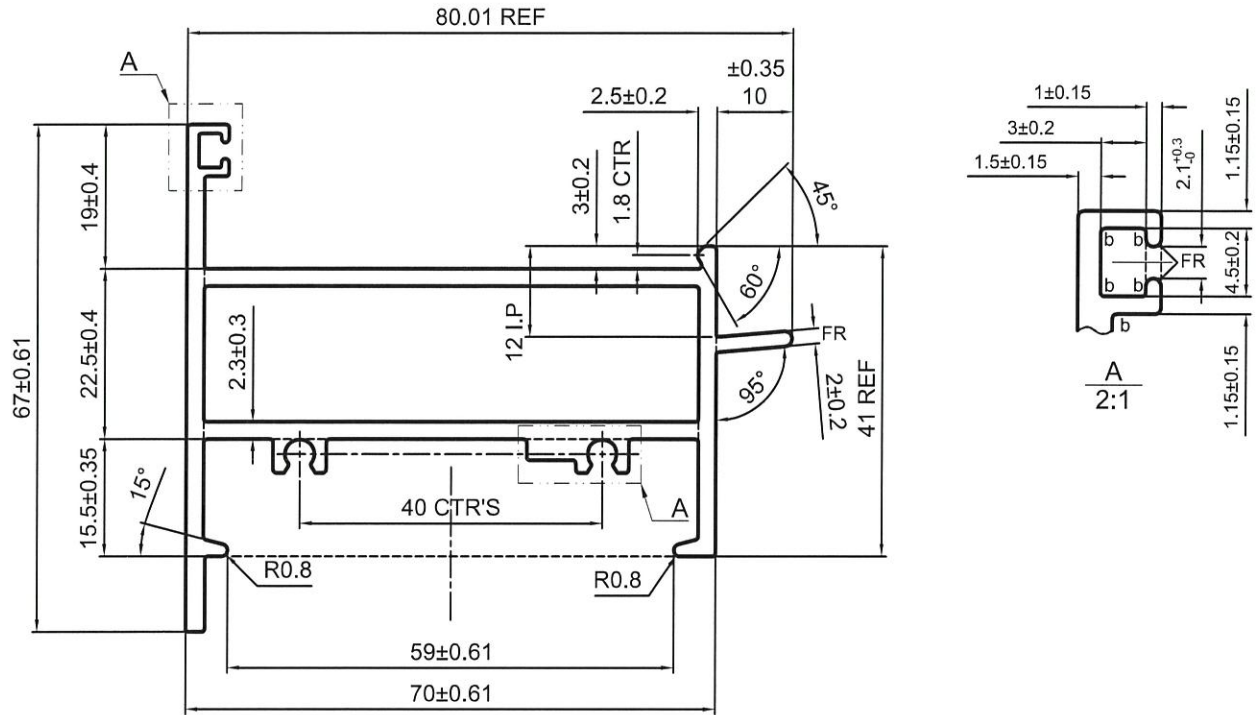
V.F

SCALE 1:1

SIGNATURE GRADEING	HIGH SIGNATURE GRADEING	C.C.DIA(MM)	Ø 83.06				喷涂收费周长(mm):		169.25	
AREA (SQ MM)	497.67	UNSPECIFIED THICKNESS	2.3±0.25	PERIMETER (MM)	282.09	STANDARD	BS EN755	SCALE	1:1	
MASS (KG/M)	1.349	UNSPECIFIED CORNERS	R 0.4	SURFACE AREA	165.80	ALLOY	6063-T6	VERSION	A	
COMPANY ISSUE		A	DRAWN	蔡晓婷	DATE	2020-07-12	APPELLATION	-	PAGE OF	
			STANDARDIZATION		DATE					
			TO SIGN	王添明	DATE					
			AUDITING		DATE					
MARKER	MODIFY	FILE NO	SIGNATURE	DATE	APPROV	DATE				

 PANASIA ALUMINUM (CHINA) LIMITED 6

CUSTOMER	HONGKONG CO.	CUSTOMER APPROVAL	1p011	CUST PART NO.	X85851
				SECTION NO.	LH0091481

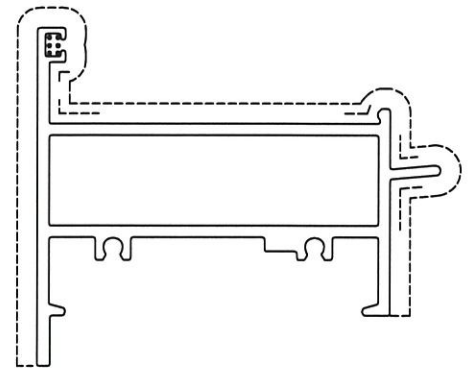


a=R0.5
b=R0.3

- 次要装饰面, 喷涂膜厚不足, 但不露底
- 装饰面
- 凹槽位置可能会有露底现象, 即膜厚不足

备注: 没有配合型号!

美特铝质有限公司
承認圖面
日期 16-7-20



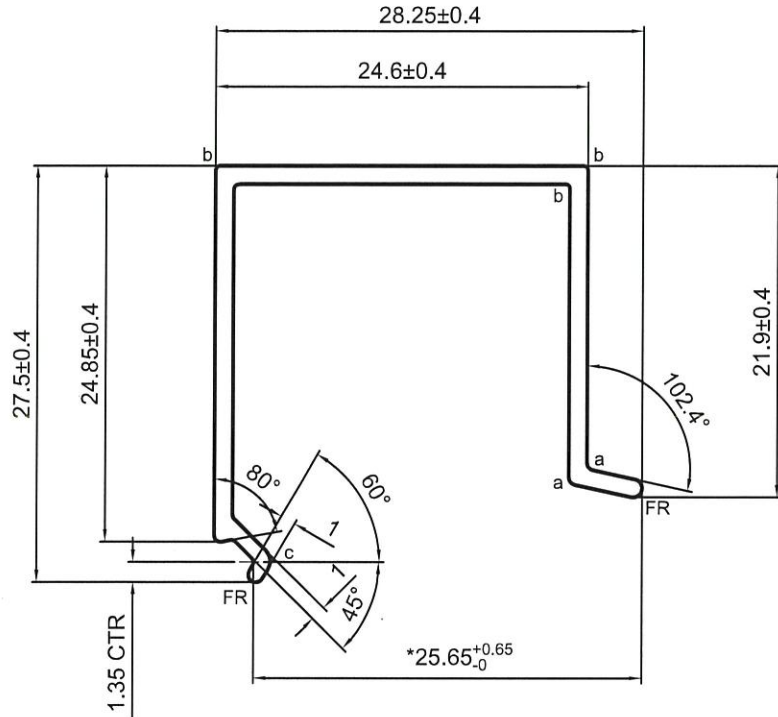
V.F

SCALE 1:1

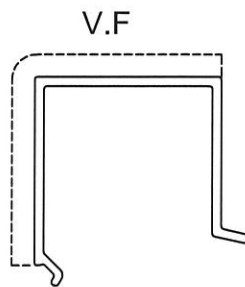
SIGNATURE GRADEING	HIGH SIGNATURE GRADEING	C.C.DIA(MM)	Ø 94.09		喷涂收费周长(mm):		236.02		
AREA (SQ MM)	640.65	UNSPECIFIED THICKNESS	2.3±0.25	PERIMETER (MM)	386.68	STANDARD	BS EN755	SCALE 1:1	
MASS (KG/M)	1.736	UNSPECIFIED CORNERS	R 0.4	SURFACE AREA	236.02	ALLOY	6063-T6	VERSION A	
COMPANY ISSUE		A	DRAWN	蔡晓婷	DATE	2020-07-12	APPELLATION	-	PAGE OF
			STANDARDIZATION		DATE				
			TO SIGN	王添明	DATE				
			AUDITING		DATE				
MARKER	MODIFY	FILE NO	SIGNATURE	DATE	APPROV	DATE			

PANASIA ALUMINUM (CHINA) LIMITED 7

CUSTOMER	HONGKONG CO.	CUSTOMER APPROVAL	2003	CUST PART NO.	X85853
				SECTION NO.	LH0091483



LH0091482
 美特鋁質有限公司 X85852
 承認圖面 [Signature]
 日期 16-7-20



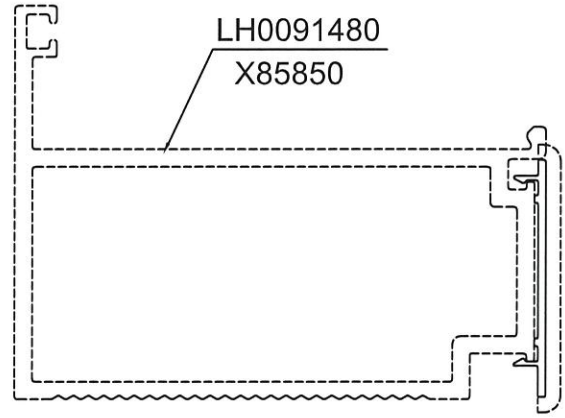
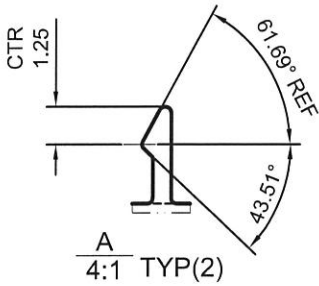
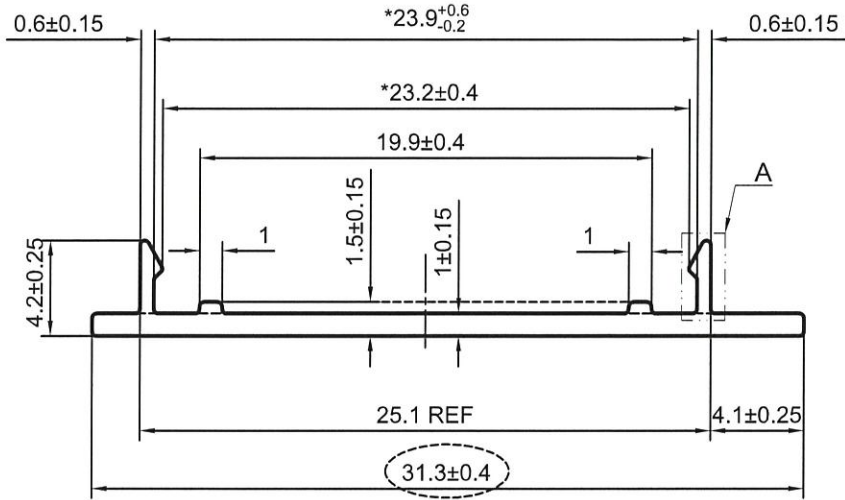
a=R0.5
 b=R0.3
 c=R1

SCALE 1:1

*配合尺寸以实物配合效果为准!

SIGNATURE GRADEING	HIGH SIGNATURE GRADEING	C.C.DIA(MM)	Ø 35.70				喷涂收费周长(mm):		91.47	
AREA (SQ MM)	90.45	UNSPECIFIED THICKNESS	1.2±0.15	PERIMETER (MM)	152.45	STANDARD	BS EN755	SCALE	2:1	
MASS (KG/M)	0.245	UNSPECIFIED CORNERS	R 0.4	SURFACE AREA	49.79	ALLOY	6063-T5	VERSION	A	
COMPANY ISSUE		A	DRAWN	蔡晓婷	DATE	2020-07-12	APELLATION	-	PAGE OF	
			STANDARDIZATION		DATE					
			TO SIGN	王添明	DATE					
			AUDITING		DATE					
MARKER	MODIFY	FILE NO	SIGNATURE	DATE	APPROV					

CUSTOMER	HONGKONG CO.	CUSTOMER APPROVAL	<i>Al</i>	CUST PART NO.	X85854
				SECTION NO.	LH0091484



V.F
SCALE 1:1

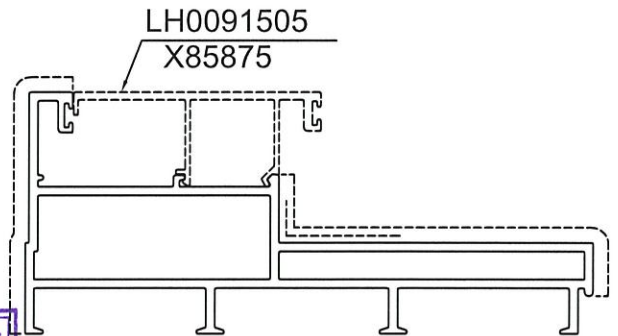
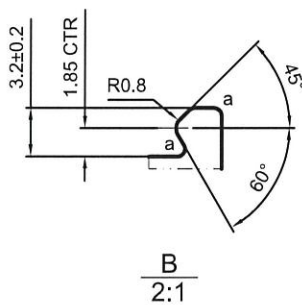
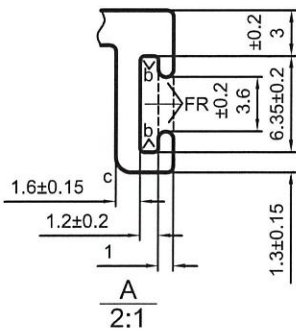
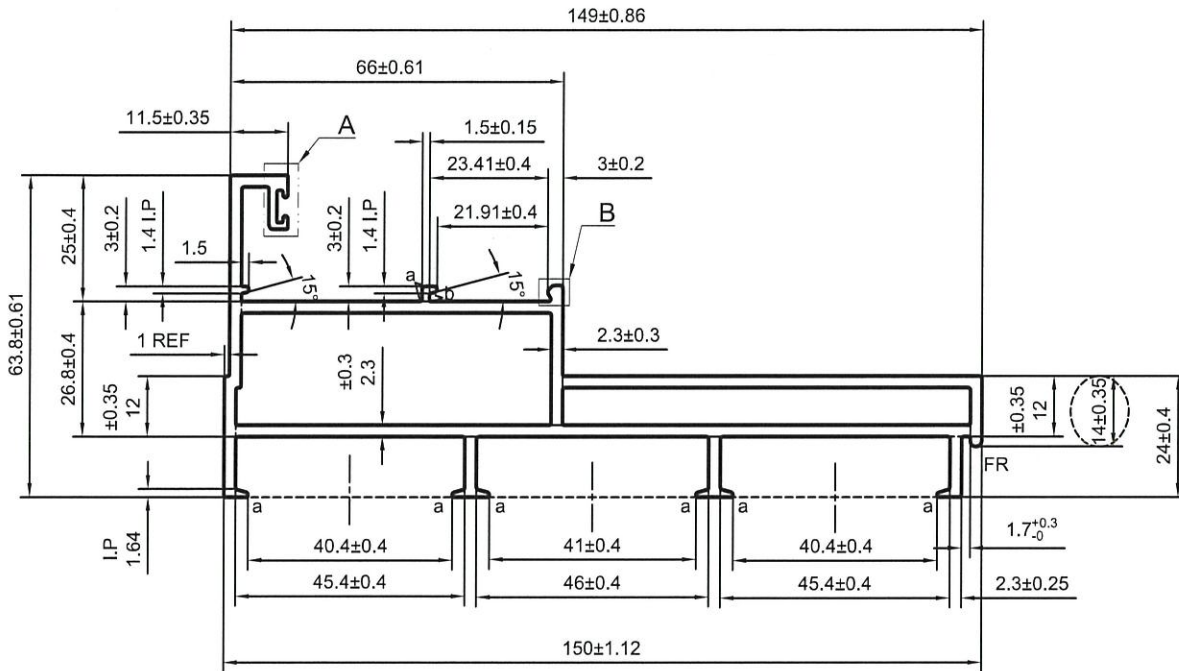
美特鋁質有限公司
承認圖面 *[Signature]*
日期 16-7-20

*配合尺寸以实物配合效果为准!

SIGNATURE GRADEING	HIGH SIGNATURE GRADEING	C.C.DIA(MM)	Ø 31.31			喷涂收费周长(mm):		46.73	
AREA (SQ MM)	36.45	UNSPECIFIED THICKNESS	-	PERIMETER (MM)	77.89	STANDARD	BS EN755	SCALE	3:1
MASS (KG/M)	0.099	UNSPECIFIED CORNERS	R 0.2	SURFACE AREA	33.36	ALLOY	6063-T5	VERSION	A
COMPANY ISSUE		A	DRAWN	蔡晓婷	DATE	2020-07-12	APPELLATION	-	PAGE OF
			STANDARDIZATION		DATE				
			TO SIGN	王添明	DATE				
			AUDITING		DATE				
MARKER	MODIFY	FILE NO	SIGNATURE	DATE	APPROV	DATE			

 PANASIA ALUMINUM (CHINA) LIMITED 10

CUSTOMER	HONGKONG CO.	CUSTOMER APPROVAL	D5-01	CUST PART NO.	X85855
				SECTION NO.	LH0091485



a=R0.5
b=R0.3
c=R1

美特鋁質有限公司
承認圖面
日期 16-7-20

V.F

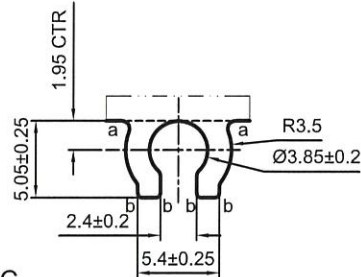
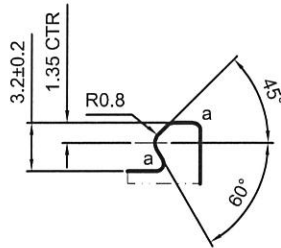
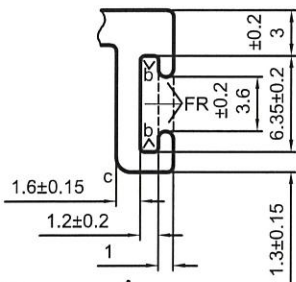
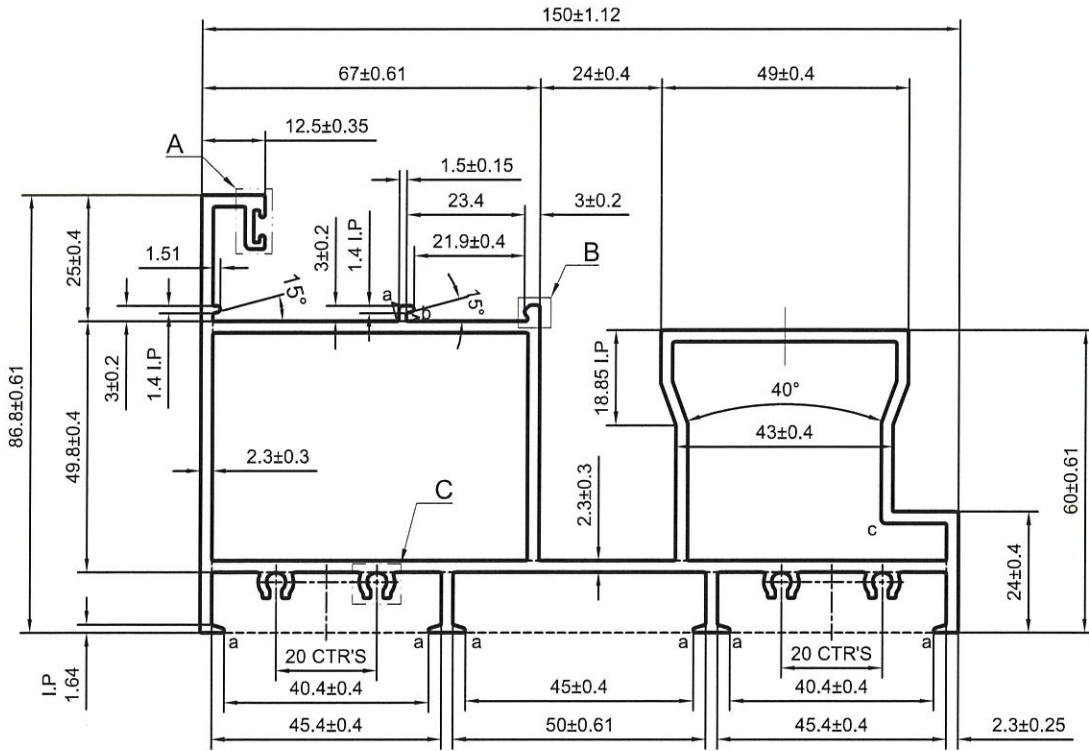
SCALE 1:2

----- 次要装饰面, 喷涂膜厚不足, 但不露底
----- 装饰面
*配合尺寸以实物配合效果为准!

SIGNATURE GRADEING	HIGH SIGNATURE GRADEING	C.C.DIA(MM)	Ø 158.57			喷涂收费周长(mm):		349.14	
AREA (SQ MM)	1057.86	UNSPECIFIED THICKNESS	2.3±0.25	PERIMETER (MM)	581.90	STANDARD	BS EN755	SCALE	1:1.5
MASS (KG/M)	2.867	UNSPECIFIED CORNERS	R 0.4	SURFACE AREA	193.65	ALLOY	6063-T6	VERSION	A
COMPANY ISSUE		A	DRAWN	蔡晓婷	DATE	2020-07-12	APPELLATION	-	PAGE OF
			STANDARDIZATION		DATE				
			TO SIGN	王添明	DATE				
			AUDITING		DATE				
MARKER	MODIFY	FILE NO	SIGNATURE	DATE	APPROV	DATE			

 PANASIA ALUMINUM (CHINA) LIMITED

CUSTOMER	HONGKONG CO.	CUSTOMER APPROVAL	PS-61	CUST PART NO.	X85856
				SECTION NO.	LH0091486



a=R0.5

A
2:1

b=R0.3

B
2:1

C
2:1 TYP(4)

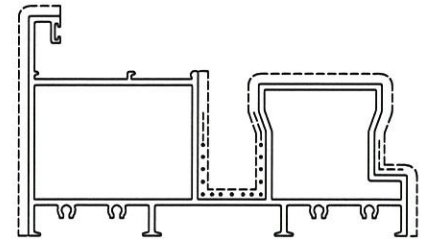
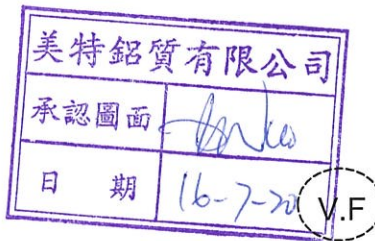
c=R1

----- 次要装饰面, 喷涂膜厚不足, 但不露底

----- 装饰面

●●●●● 凹槽位置可能会有露底现象, 即膜厚不足

备注: 没有配合型号!



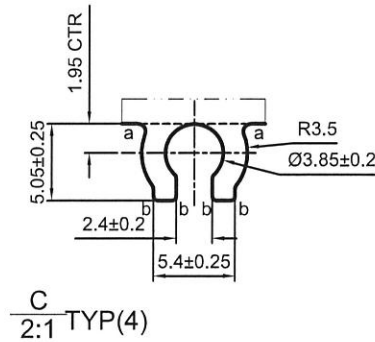
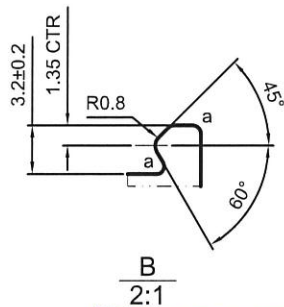
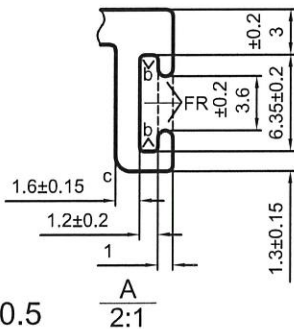
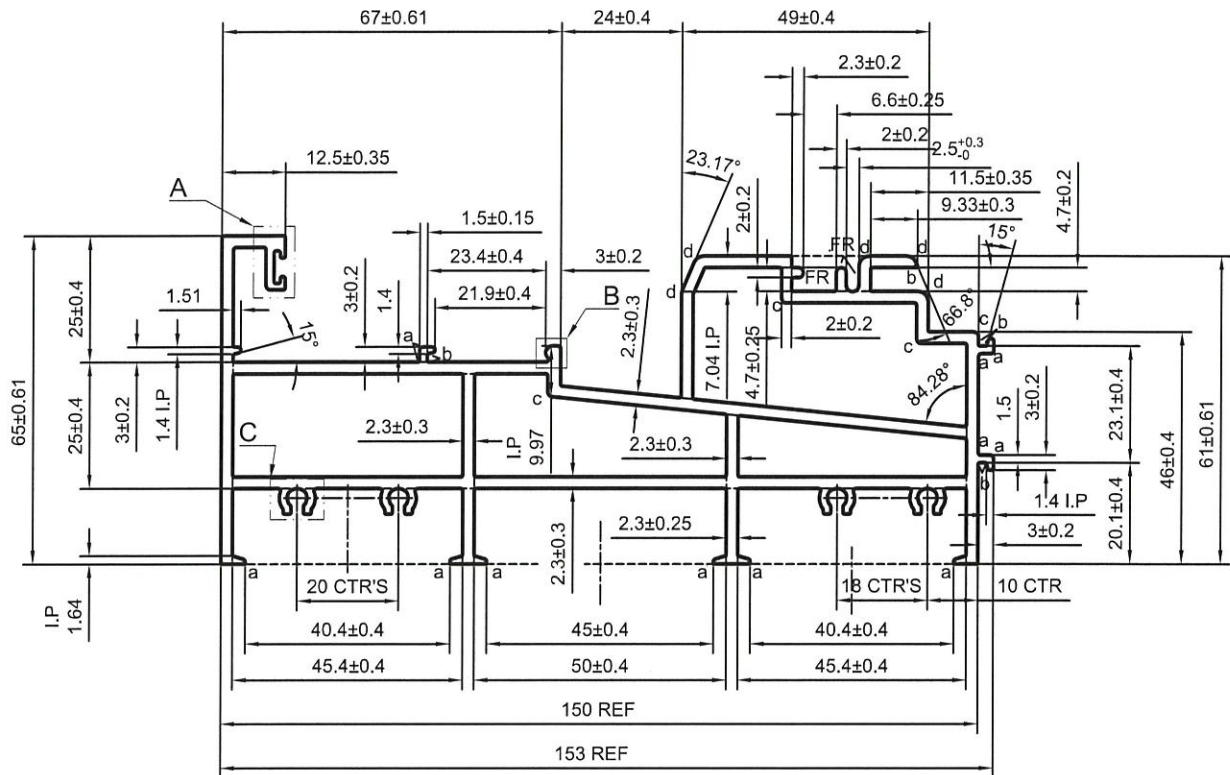
SCALE 1:3

SIGNATURE GRADEING	HIGH SIGNATURE GRADEING	C.C.DIA(MM)	Ø 173.01			喷涂收费周长(mm): 480.51			
AREA (SQ MM)	1368.35	UNSPECIFIED THICKNESS	2.3±0.25	PERIMETER (MM)	800.85	STANDARD	BS EN755	SCALE	1:1.5
MASS (KG/M)	3.708	UNSPECIFIED CORNERS	R 0.4	SURFACE AREA	345.52	ALLOY	6063-T6	VERSION	A
COMPANY ISSUE		A	DRAWN	蔡晓婷	DATE	2020-07-12	APPELLATION	-	PAGE OF
			STANDARDIZATION		DATE				
			TO SIGN	王添明	DATE				
			AUDITING		DATE				
MARKER	MODIFY	FILE NO	SIGNATURE	DATE	APPROV	DATE			

 PANASIA ALUMINUM (CHINA) LIMITED

12

CUSTOMER	HONGKONG CO.	CUSTOMER APPROVAL	D501B	CUST PART NO.	X85857
				SECTION NO.	LH0091487



a=R0.5

b=R0.3

c=R1 d=R2

----- 次要装饰面, 喷涂膜厚不足, 但不露底

----- 装饰面

●●●●● 凹槽位置可能会有露底现象, 即膜厚不足

备注: 没有配合型号!

美特铝质有限公司
承認圖面
日期 16-7-20

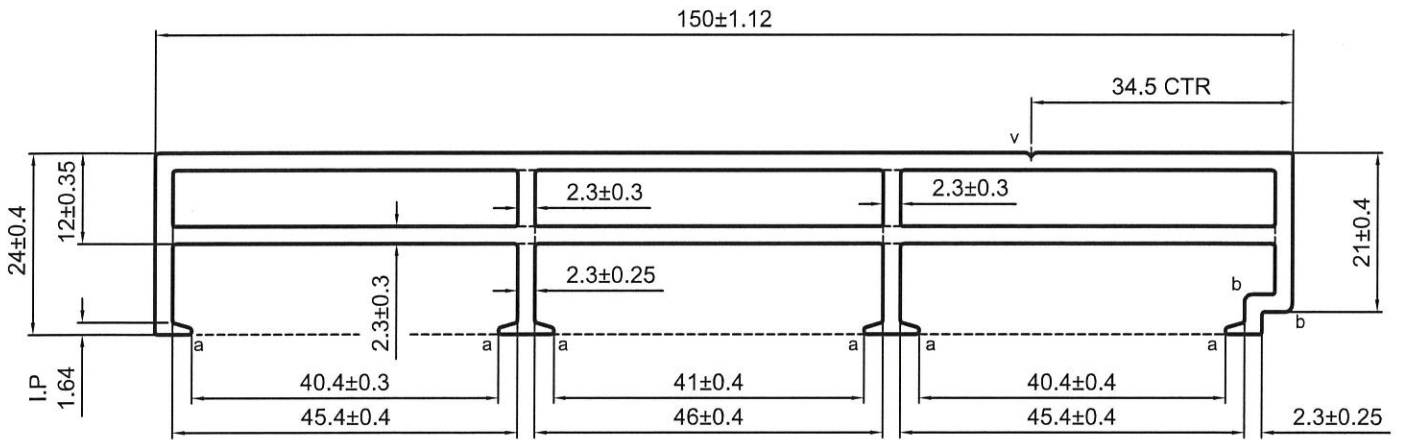
SCALE 1:2 V.F

SIGNATURE GRADEING	HIGH SIGNATURE GRADEING	C.C.DIA(MM)	Ø 163.23			喷涂收费周长(mm): 469.90			
AREA (SQ MM)	1508.03	UNSPECIFIED THICKNESS	2.3±0.25	PERIMETER (MM)	783.17	STANDARD	BS EN755	SCALE	1:1.5
MASS (KG/M)	4.087	UNSPECIFIED CORNERS	R 0.4	SURFACE AREA	249.35	ALLOY	6063-T6	VERSION	A
COMPANY ISSUE		A	DRAWA	蔡晓婷	DATE	2020-07-12	APELLATION	-	PAGE OF
			STANDA-RDIZATION		DATE				
			TO SIGN	王添明	DATE				
			AUDITING		DATE				
MARKER	MODIFY	FILE NO	SIGNATURE	DATE	APPROV	DATE			



PANSIA ALUMINUM (CHINA) LIMITED

CUSTOMER	HONGKONG CO.	CUSTOMER APPROVAL	b502	CUST PART NO.	X85858
				SECTION NO.	LH0091488



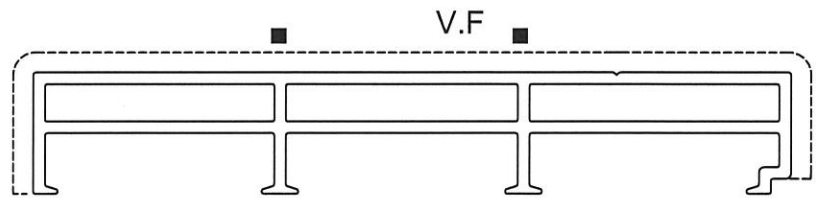
美特鋁質有限公司	
承認圖面	<i>[Signature]</i>
日期	16-7-20

$v=0.5 \times 90^\circ$

$a=R0.5$

$b=R1$

■处有轻微的结构性线纹



SCALE 1:1.5

备注：没有配合型号！

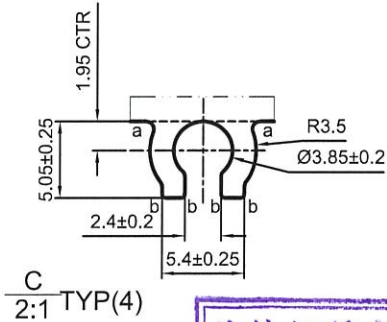
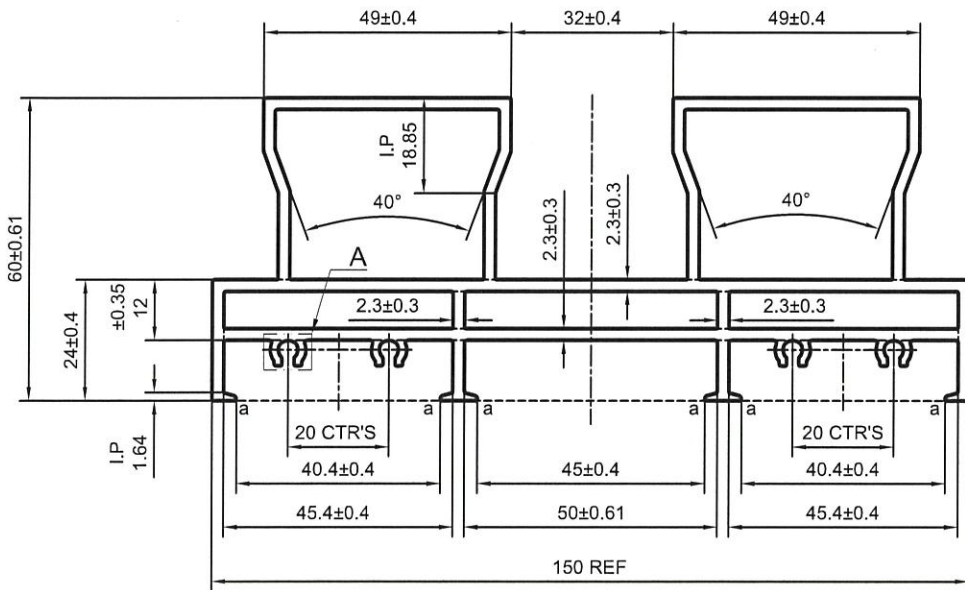
SIGNATURE GRADEING	HIGH SIGNATURE GRADEING	C.C.DIA(MM)	Ø 151.80				喷涂收费周长(mm):		267.71
AREA (SQ MM)	895.97	UNSPECIFIED THICKNESS	2.3±0.25	PERIMETER (MM)	446.19	STANDARD	BS EN755	SCALE	1:1
MASS (KG/M)	2.428	UNSPECIFIED CORNERS	R 0.4	SURFACE AREA	195.84	ALLOY	6063-T6	VERSION	A
COMPANY ISSUE		A	DRAWN	蔡晓婷	DATE	2020-07-12	APPELLATION	-	PAGE OF
			STANDARDIZATION		DATE				
			TO SIGN	王添明	DATE				
			AUDITING		DATE				
MARKER	MODIFY	FILE NO	SIGNATURE	DATE	APPROV				



PANASIA ALUMINUM (CHINA) LIMITED

14

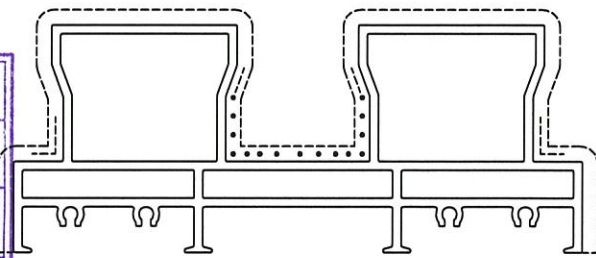
CUSTOMER	HONGKONG CO.	CUSTOMER APPROVAL	D5-V1	CUST PART NO.	X85859
				SECTION NO.	LH0091489



a=R0.5
b=R0.3

----- 次要装饰面, 喷涂膜厚不足, 但不露底
 ----- 装饰面
 ●●●●● 凹槽位置可能会有露底现象, 即膜厚不足

美特铝质有限公司
 承認圖面
 (16)-20



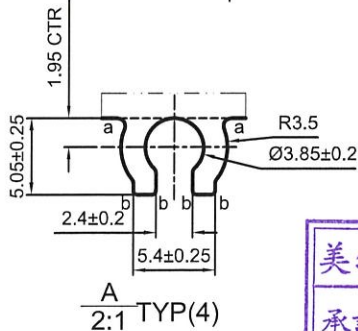
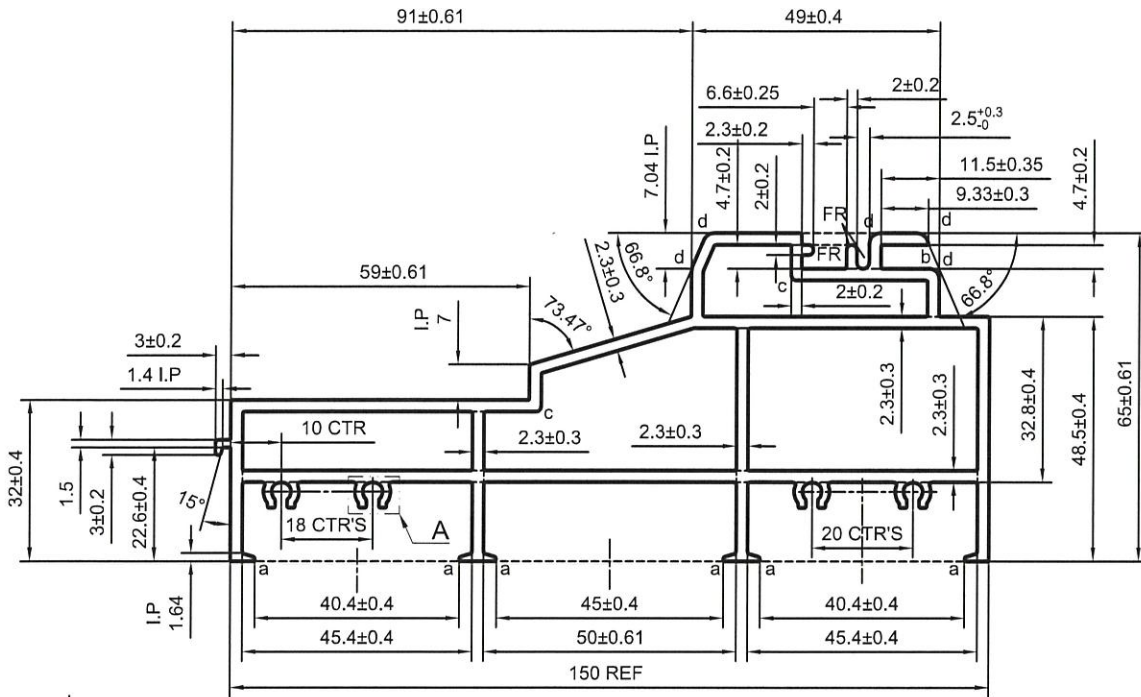
SCALE 1:2

备注: 没有配合型号!

SIGNATURE GRADEING	HIGH SIGNATURE GRADEING	C.C.DIA(MM)	Ø 154.21				喷涂收费周长(mm):		404.52	
AREA (SQ MM)	1497.88	UNSPECIFIED THICKNESS	2.3±0.25	PERIMETER (MM)	674.20	STANDARD	BS EN755	SCALE	1:1.5	
MASS (KG/M)	4.059	UNSPECIFIED CORNERS	R 0.4	SURFACE AREA	354.84	ALLOY	6063-T6	VERSION	A	
COMPANY ISSUE		A	DRAWN	蔡晓婷	DATE	2020-07-12	APPELLATION	-	PAGE OF	
			STANDARDIZATION		DATE					
			TO SIGN	王添明	DATE					
			AUDITING		DATE					
MARKER	MODIFY	FILE NO	SIGNATURE	DATE	APPROV	DATE				

 PANASIA ALUMINUM (CHINA) LIMITED

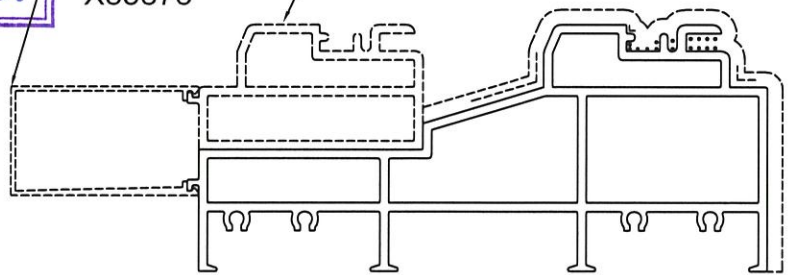
CUSTOMER	HONGKONG CO.	CUSTOMER APPROVAL	b503	CUST PART NO.	X85860
				SECTION NO.	LH0091490



美特鋁質有限公司
承認圖面
日期 16-7-20

LH0091508
X85878

LH0091507
X85877



a=R0.5

b=R0.3

c=R1 d=R2

----- 次要裝飾面，噴塗膜厚不足，但不露底

----- 裝飾面

●●●●●● 凹槽位置可能有露底現象，即膜厚不足

*配合尺寸以实物配合效果为准！

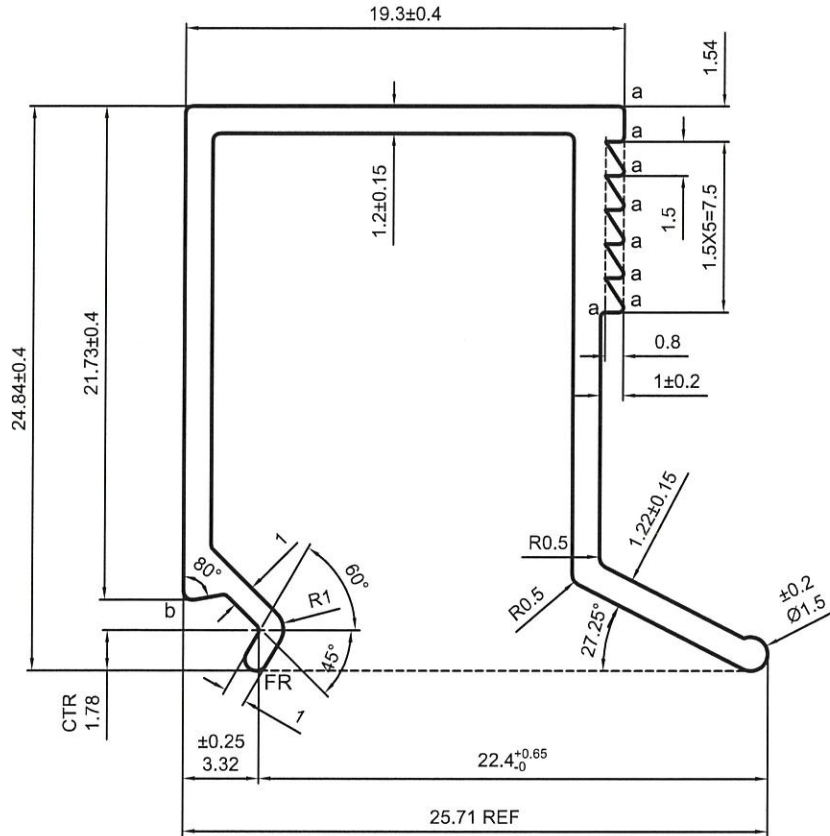
SCALE 1:2 (V.F)

SIGNATURE GRADEING	HIGH SIGNATURE GRADEING	C.C.DIA(MM)	Ø 157.44		噴塗收費周長(mm):		394.67	
AREA (SQ MM)	1352.18	UNSPECIFIED THICKNESS	2.3±0.25	PERIMETER (MM)	657.79	STANDARD	BS EN755	SCALE 1:1.5
MASS (KG/M)	3.664	UNSPECIFIED CORNERS	R 0.4	SURFACE AREA	211.03	ALLOY	6063-T6	VERSION A
COMPANY ISSUE	A	DRAWN	蔡曉婷	DATE	2020-07-12	APPELLATION	-	PAGE OF
		STANDARDIZATION		DATE				
		TO SIGN	王添明	DATE				
		AUDITING		DATE				
MARKER	MODIFY FILE NO	SIGNATURE	DATE	APPROV	DATE			

PANASIA ALUMINUM (CHINA) LIMITED

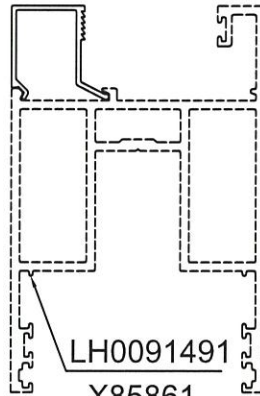
16

CUSTOMER	HONGKONG CO.	CUSTOMER APPROVAL	7504	CUST PART NO.	X85862
				SECTION NO.	LH0091492

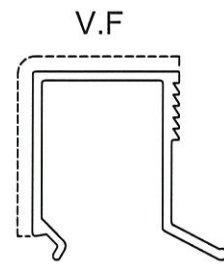


美特鋁質有限公司
承認圖面
日期 16-7-20

a=R0.2
b=R0.4



SCALE 1:2



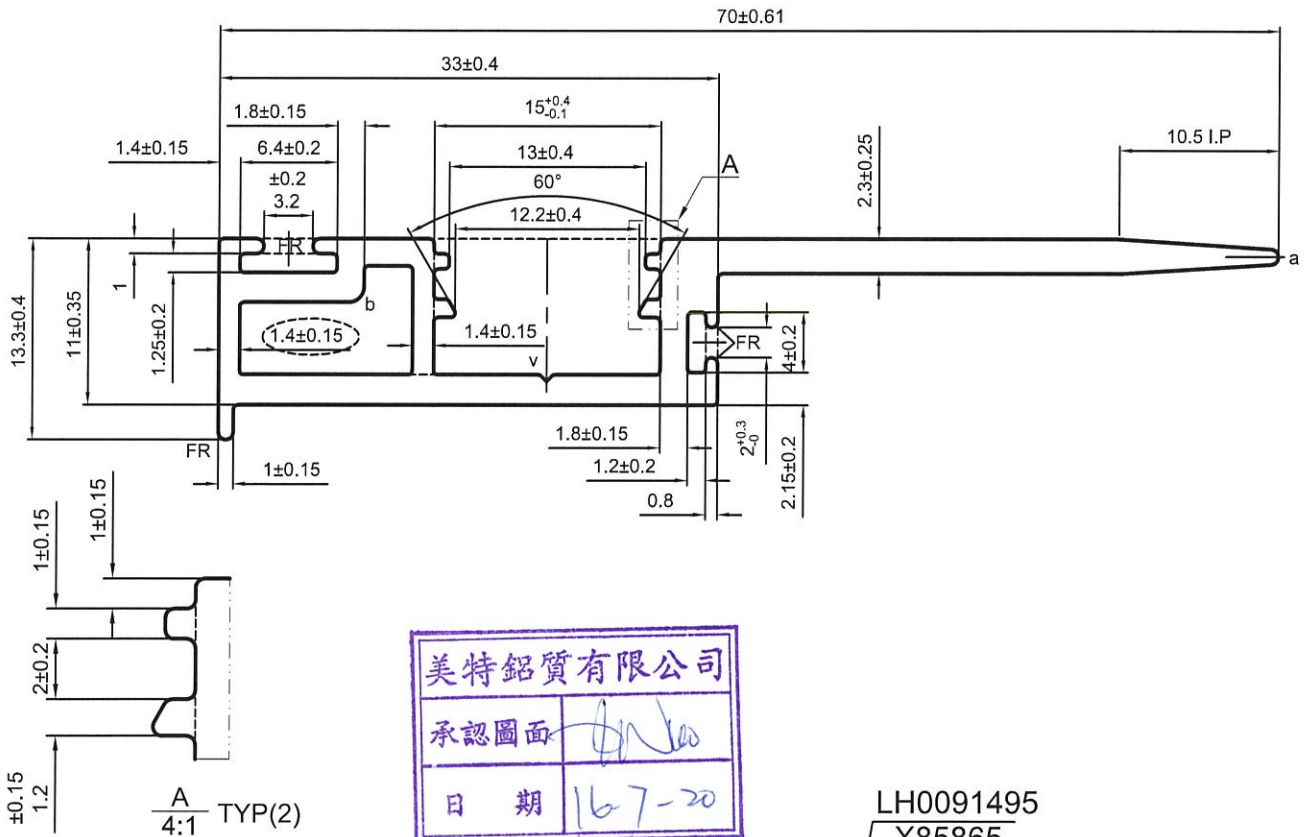
SCALE 1:1

*配合尺寸以实物配合效果为准!

SIGNATURE GRADEING	HIGH SIGNATURE GRADEING	C.C.DIA(MM)	Ø 35.53				喷涂收费周长(mm):		91.07
AREA (SQ MM)	93.21	UNSPECIFIED THICKNESS	1.2±0.15	PERIMETER (MM)	151.78	STANDARD	BS EN755	SCALE	3:1
MASS (KG/M)	0.253	UNSPECIFIED CORNERS	R 0.3	SURFACE AREA	41.31	ALLOY	6063-T5	VERSION	A
COMPANY ISSUE		A	DRAWN	蔡晓婷	DATE	2020-07-12	APPELLATION	-	PAGE OF
			STANDARDIZATION		DATE				
			TO SIGN	王添明	DATE				
			AUDITING		DATE				
MARKER	MODIFY	FILE NO	SIGNATURE	DATE	APPROV				

PANASIA ALUMINUM (CHINA) LIMITED

CUSTOMER	HONGKONG CO.	CUSTOMER APPROVAL	D 505	CUST PART NO.	X85863
				SECTION NO.	LH0091493



$v=0.4 \times 90^\circ$

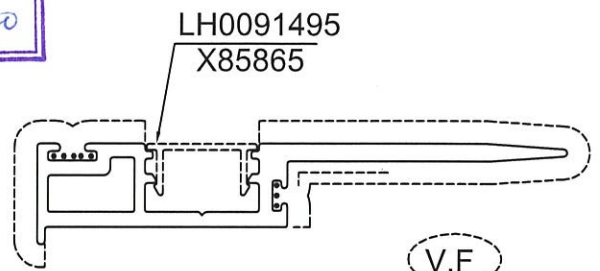
$a=R0.5$ $b=R1$

----- 次要裝飾面, 噴塗膜厚不足, 但不露底

----- 裝飾面

●●●●●● 凹槽位置可能會有露底現象, 即膜厚不足

*配合尺寸以实物配合效果為準!

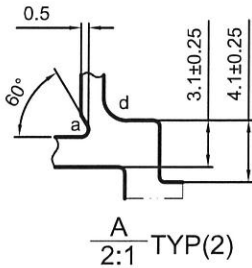
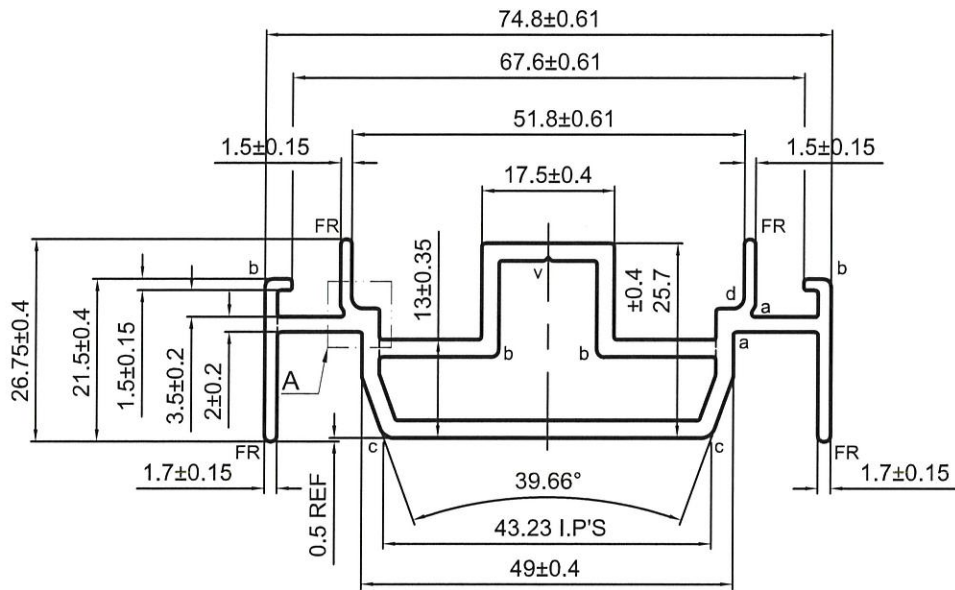


SCALE 1:1

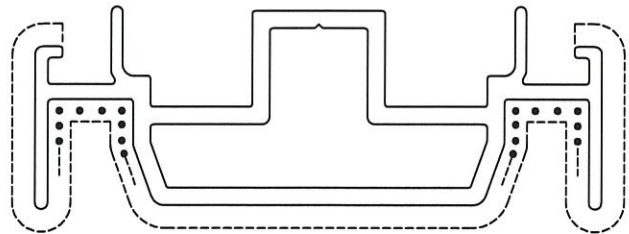
SIGNATURE GRADEING	HIGH SIGNATURE GRADEING	C.C.DIA(MM)	Ø 70.98		噴塗收費周長(mm):		132.27		
AREA (SQ MM)	232.50	UNSPECIFIED THICKNESS	2±0.2	PERIMETER (MM)	205.14	STANDARD	BS EN755	SCALE	2:1
MASS (KG/M)	0.630	UNSPECIFIED CORNERS	R 0.3	SURFACE AREA	132.27	ALLOY	6063-T6	VERSION	A
COMPANY ISSUE		A	DRAWN	蔡曉婷	DATE	2020-07-12	APPELLATION	-	PAGE OF
			STANDARDIZATION		DATE				
			TO SIGN	王添明	DATE				
			AUDITING		DATE				
MARKER	MODIFY	FILE NO	SIGNATURE	DATE	APPROV	DATE			

PANASIA ALUMINUM (CHINA) LIMITED

CUSTOMER	HONGKONG CO.	CUSTOMER APPROVAL	XJ-55	CUST PART NO.	X85864
				SECTION NO.	LH0091494



美特鋁質有限公司
承認圖面
日期 16-7-20



v=0.5X90°

a=R0.5 b=R1 c=R2 d=R1.5

----- 次要装饰面, 喷涂膜厚不足, 但不露底

----- 装饰面

●●●●●● 凹槽位置可能有露底现象, 即膜厚不足

备注: 没有配合型号!

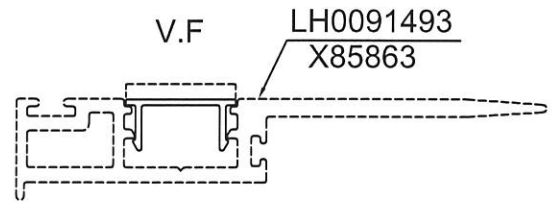
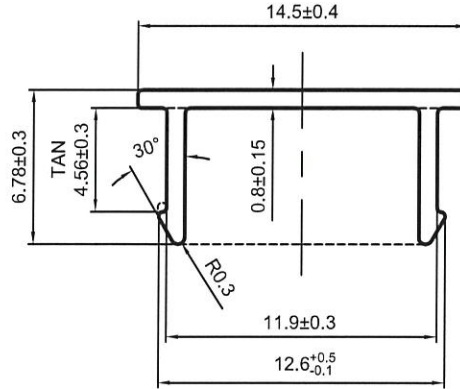
V.F

SCALE 1:1

SIGNATURE GRADEING	HIGH SIGNATURE GRADEING	C.C.DIA(MM)	Ø 77.40				喷涂收费周长(mm):		195.94	
AREA (SQ MM)	486.49	UNSPECIFIED THICKNESS	2.3±0.25	PERIMETER (MM)	326.56	STANDARD	BS EN755	SCALE	2:1	
MASS (KG/M)	1.318	UNSPECIFIED CORNERS	R 0.4	SURFACE AREA	173.93	ALLOY	6063-T6	VERSION	A	
COMPANY ISSUE		A	DRAWN	蔡晓婷	DATE	2020-07-12	APPELLATION	-	PAGE OF	
			STANDARDIZATION		DATE					
			TO SIGN	王添明	DATE					
			AUDITING		DATE					
MARKER	MODIFY	FILE NO	SIGNATURE	DATE	APPROV	DATE				

PANASIA ALUMINUM (CHINA) LIMITED

CUSTOMER	HONGKONG CO.	CUSTOMER APPROVAL	DS06	CUST PART NO.	X85865
				SECTION NO.	LH0091495



SCALE 1:1

*配合尺寸以实物配合效果为准!

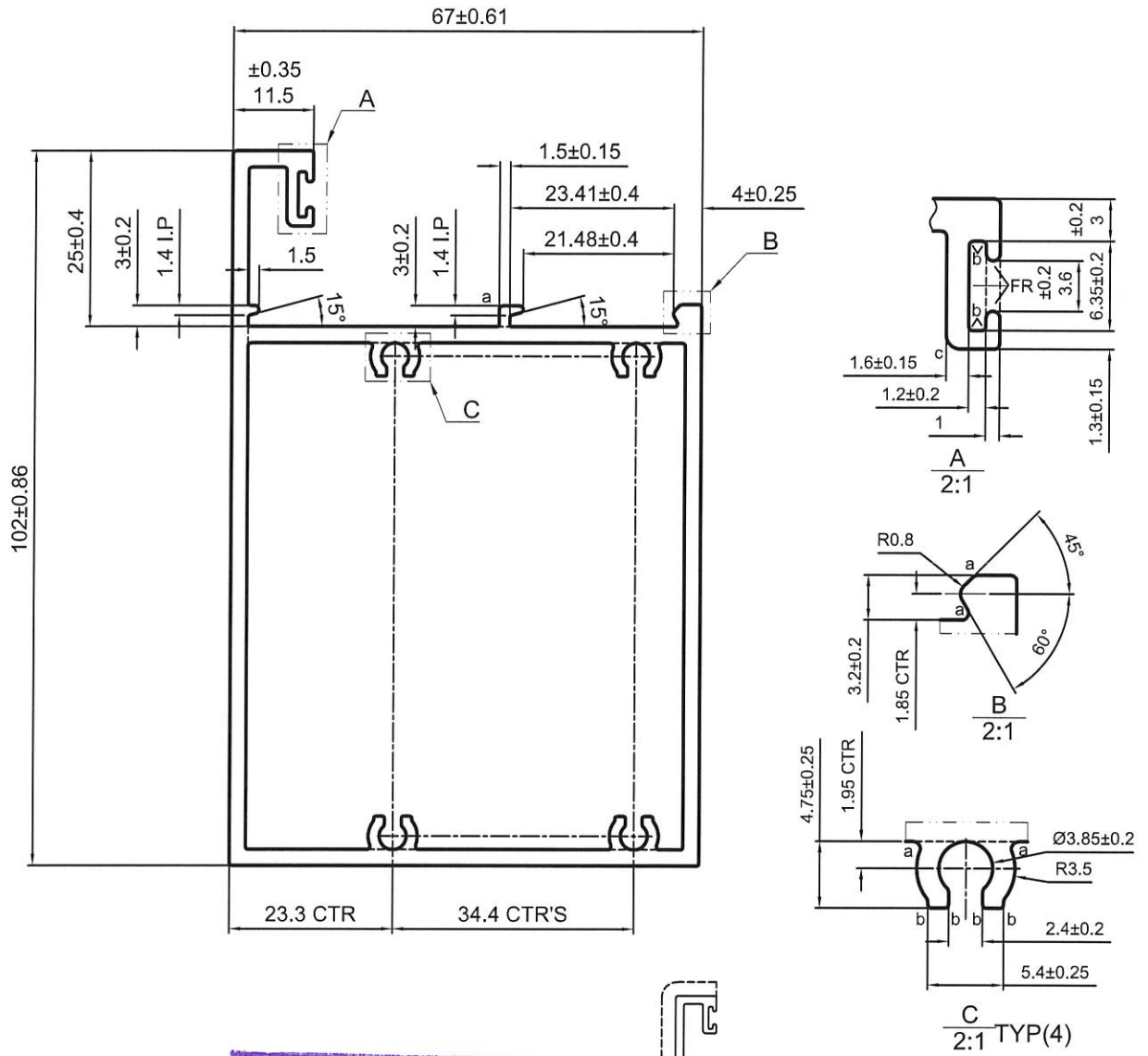
SIGNATURE GRADEING	HIGH SIGNATURE GRADEING	C.C.DIA(MM)	Ø 14.89				喷涂收费周长(mm):		32.14
AREA (SQ MM)	21.32	UNSPECIFIED THICKNESS	0.8±0.15	PERIMETER (MM)	53.56	STANDARD	BS EN755	SCALE	3:1
MASS (KG/M)	0.059	UNSPECIFIED CORNERS	R 0.2	SURFACE AREA	14.73	ALLOY	6063-T5	VERSION	A
COMPANY ISSUE		A	DRAWN	蔡晓婷	DATE	2020-07-12	APELLATION	-	PAGE OF
			STANDARDIZATION		DATE				
			TO SIGN	王添明	DATE				
			AUDITING		DATE				
MARKER	MODIFY	FILE NO	SIGNATURE	DATE	APPROV				



PANASIA ALUMINUM (CHINA) LIMITED

21

CUSTOMER	HONGKONG CO.	CUSTOMER APPROVAL	D501	CUST PART NO.	X85866
				SECTION NO.	LH0091496



美特鋁質有限公司
承認圖面
日期 16-7-20

a=R0.5
b=R0.3
c=R1

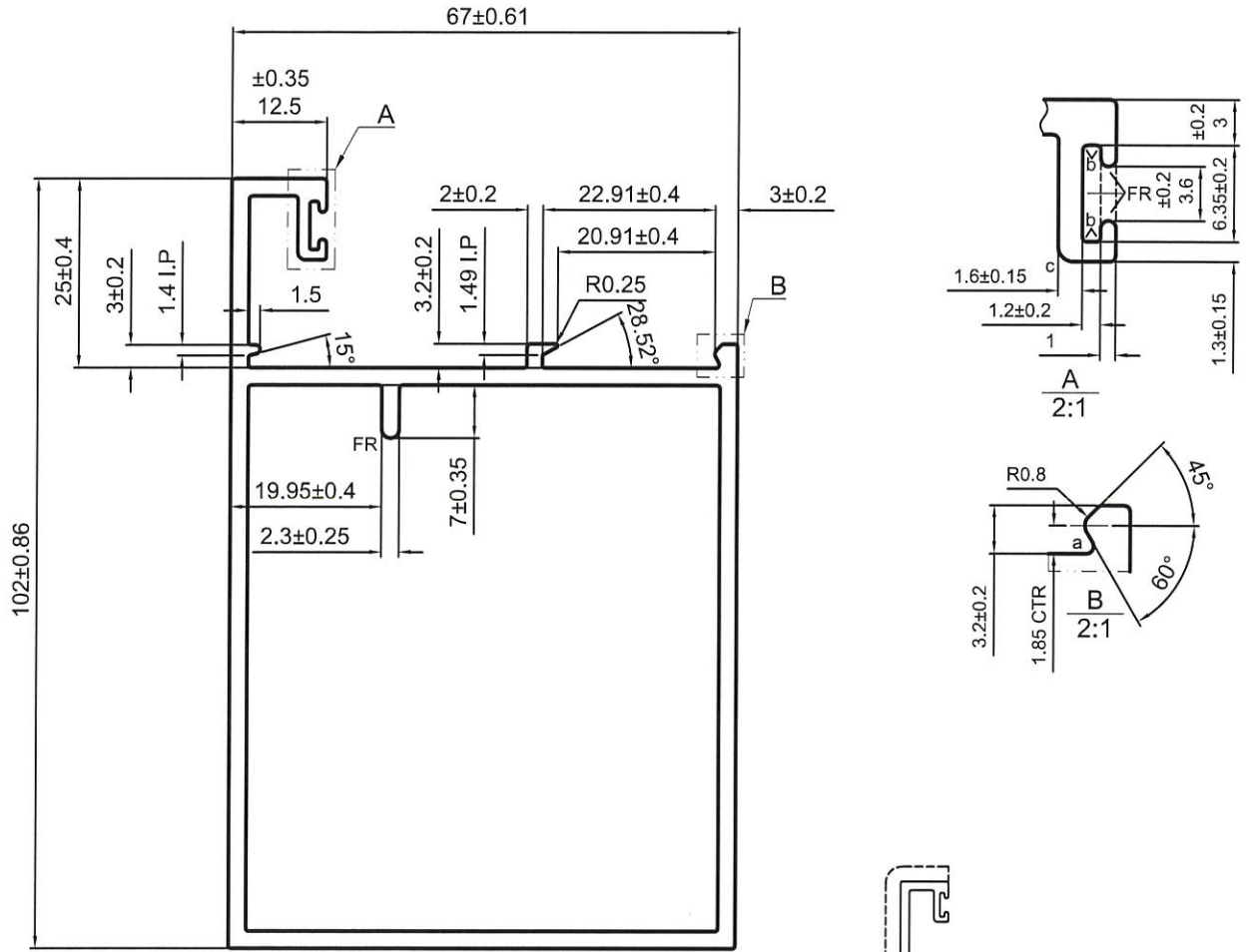
备注：没有配合型号！

SCALE 1:2

SIGNATURE GRADEING	HIGH SIGNATURE GRADEING	C.C.DIA(MM)	Ø 121.73		喷涂收费周长(mm):		260.64		
AREA (SQ.MM)	826.65	UNSPECIFIED THICKNESS	2.3±0.25	PERIMETER (MM)	396.50	STANDARD	BS EN755	SCALE 1:1	
MASS (KG/M)	2.240	UNSPECIFIED CORNERS	R 0.4	SURFACE AREA	260.64	ALLOY	6063-T6	VERSION A	
COMPANY ISSUE		A	DRAWN	蔡晓婷	DATE	2020-07-12	APPELLATION	-	PAGE OF
			STANDARDIZATION		DATE				
			TO SIGN	王添明	DATE				
			AUDITING		DATE				
MARKER	MODIFY	FILE NO	SIGNATURE	DATE	APPROV	DATE			

 PANASIA ALUMINUM (CHINA) LIMITED

CUSTOMER	HONGKONG CO.	CUSTOMER APPROVAL	2508	CUST PART NO.	X85867
				SECTION NO.	LH0091497



美特鋁質有限公司
承認圖面
日期 16-7-20

a=R0.5
b=R0.3
c=R1

备注：没有配合型号！

V.F

SCALE 1:2

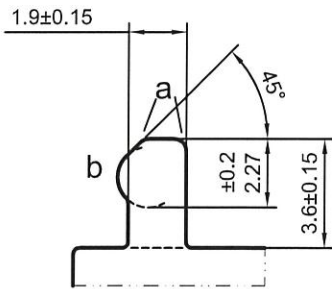
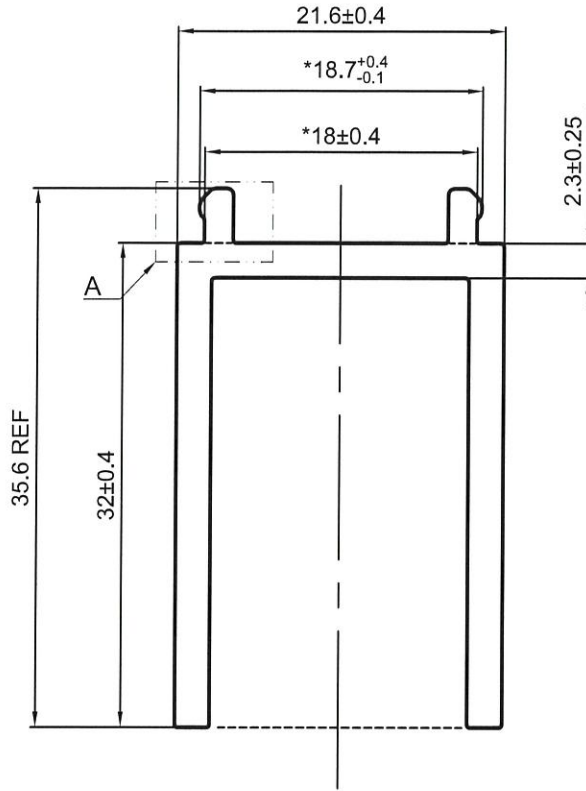
SIGNATURE GRADEING	HIGH SIGNATURE GRADEING	C.C.DIA(MM)	Ø 121.73				喷涂收费周长(mm):		261.64	
AREA (SQ MM)	776.67	UNSPECIFIED THICKNESS	2.3±0.25	PERIMETER (MM)	398.93	STANDARD	BS EN755	SCALE	1:1	
MASS (KG/M)	2.105	UNSPECIFIED CORNERS	R 0.4	SURFACE AREA	261.64	ALLOY	6063-T6	VERSION	A	
COMPANY ISSUE		A	DRAWN	蔡晓婷	DATE	2020-07-12	APELLATION	-	PAGE OF	
			STANDARDIZATION		DATE					
			TO SIGN	王添明	DATE					
			AUDITING		DATE					
MARKER	MODIFY	FILE NO	SIGNATURE	DATE	APPROV	DATE				



PANASIA ALUMINUM (CHINA) LIMITED

23

CUSTOMER	HONGKONG CO.	CUSTOMER APPROVAL	D509	CUST PART NO.	X85868
				SECTION NO.	LH0091498

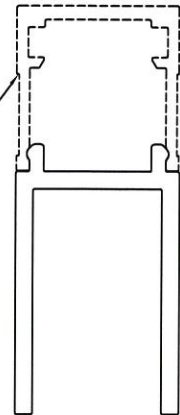


A
4:1 TYP(2)

美特鋁質有限公司
承認圖面
日期 16-7-20

LH0091499
X85869

NO V.F
SCALE 1:1



a=R0.4 b=R1

*配合尺寸以实物配合效果为准!

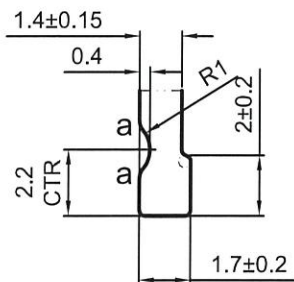
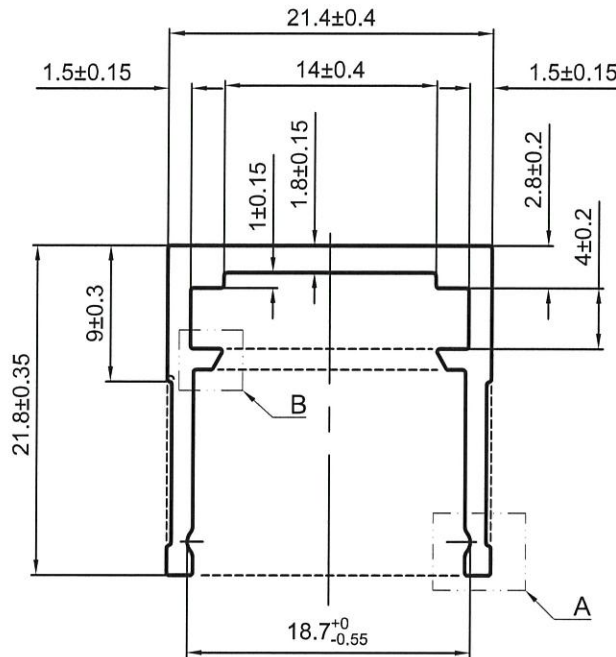
SIGNATURE GRADEING	HIGH SIGNATURE GRADEING	C.C.DIA(MM)	Ø 40.47		喷涂收费周长(mm): -				
AREA (SQ MM)	200.41	UNSPECIFIED THICKNESS	2.3±0.25	PERIMETER (MM)	179.39	STANDARD	BS EN755	SCALE	2:1
MASS (KG/M)	0.543	UNSPECIFIED CORNERS	R 0.2	SURFACE AREA	-	ALLOY	6063-T6	VERSION	A
COMPANY ISSUE		A	DRAWN	周海英	DATE	2020-07-11	APELLATION	-	PAGE OF
			STANDARDIZATION		DATE				
			TO SIGN	王添明	DATE				
			AUDITING		DATE				
MARKER	MODIFY	FILE NO	SIGNATURE	DATE	APPROV				



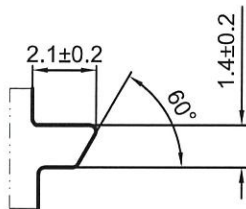
PANASIA ALUMINUM (CHINA) LIMITED

24

CUSTOMER	HONGKONG CO.	CUSTOMER APPROVAL	2510	CUST PART NO.	X85869
				SECTION NO.	LH0091499



A
4:1 TYP(2)



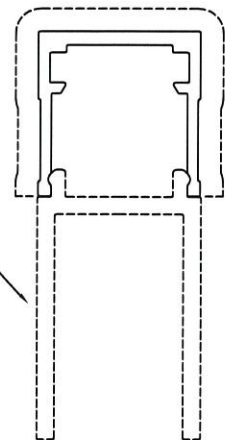
B
4:1 TYP(2)

a=R0.5

*配合尺寸以实物配合效果为准!



LH0091498
X85868



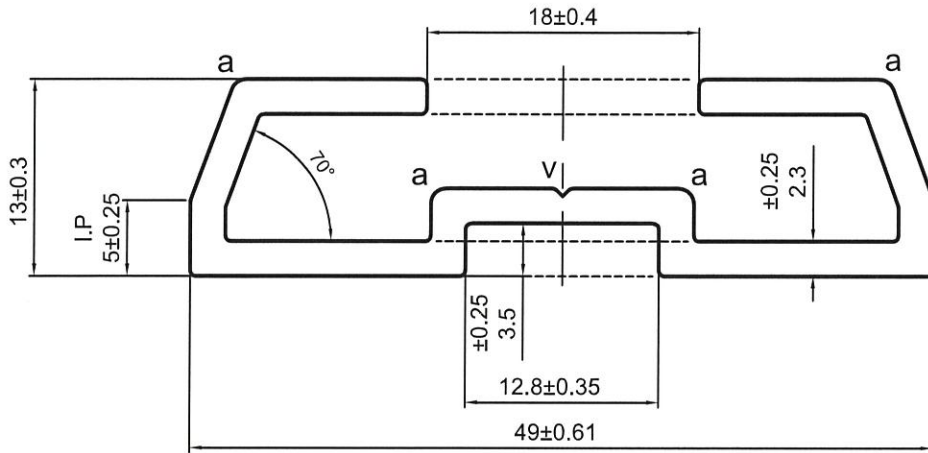
SCALE 1:1

SIGNATURE GRADEING	HIGH SIGNATURE GRADEING	C.C.DIA(MM)	Ø 30.39		喷涂收费周长(mm):		79.88		
AREA (SQ MM)	106.22	UNSPECIFIED THICKNESS	1.4±0.15	PERIMETER (MM)	133.13	STANDARD	BS EN755	SCALE	2:1
MASS (KG/M)	0.288	UNSPECIFIED CORNERS	R 0.2	SURFACE AREA	65.62	ALLOY	6063-T6	VERSION	A
COMPANY ISSUE		A	DRAWN	周海英	DATE	2020-07-12	APPELLATION	-	PAGE OF
			STANDARDIZATION		DATE				
			TO SIGN	王添明	DATE				
			AUDITING		DATE				
MARKER	MODIFY	FILE NO	SIGNATURE	DATE	APPROV				

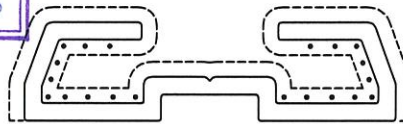
 PANASIA ALUMINUM (CHINA) LIMITED

25

CUSTOMER	HONGKONG CO.	CUSTOMER APPROVAL	DS 11	CUST PART NO.	X85870
				SECTION NO.	LH0091500



美特鋁質有限公司
承認圖面
日期 16-7-20



V.F

SCALE 1:1

v=0.5X90°

a=R1

----- 装饰面

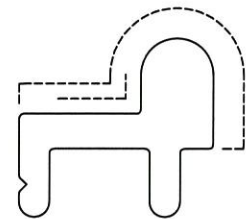
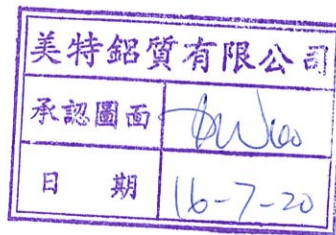
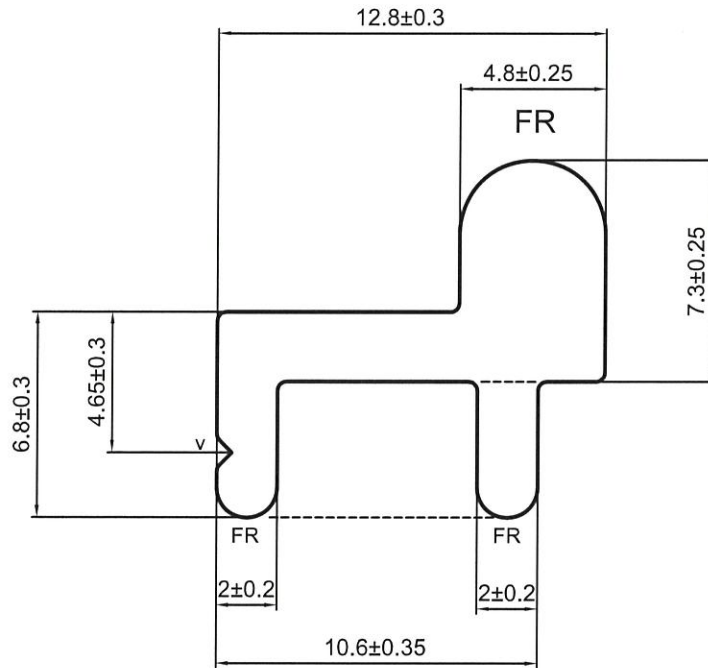
●●●●● 凹槽位置可能有露底现象，即膜厚不足

*配合尺寸以实物配合效果为准！

SIGNATURE GRADEING	HIGH SIGNATURE GRADEING	C.C.DIA(MM)	Ø 49.21				喷涂收费周长(mm):		145.84	
AREA (SQ MM)	228.11	UNSPECIFIED THICKNESS	2.3±0.25	PERIMETER (MM)	200.35	STANDARD	BS EN755	SCALE	2:1	
MASS (KG/M)	0.618	UNSPECIFIED CORNERS	R 0.4	SURFACE AREA	145.84	ALLOY	6063-T6	VERSION	A	
COMPANY ISSUE		A	DRAWN	周海英	DATE	2020-07-11	APELLATION	-	PAGE OF	
			STANDARDIZATION		DATE					
			TO SIGN	王添明	DATE					
			AUDITING		DATE					
MARKER	MODIFY	FILE NO	SIGNATURE	DATE	APPROV					

 PANASIA ALUMINUM (CHINA) LIMITED

CUSTOMER	HONGKONG CO.	CUSTOMER APPROVAL	DSV	CUST PART NO.	X85871
				SECTION NO.	LH0091501



V.F

SCALE 2:1

v=0.5X90°

----- 次要装饰面, 喷涂膜厚不足, 但不露底

----- 装饰面

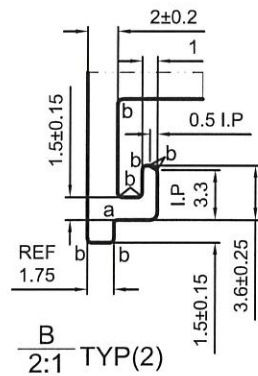
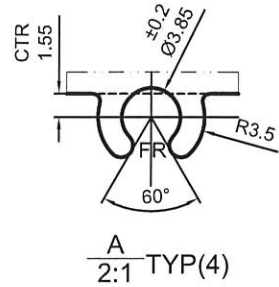
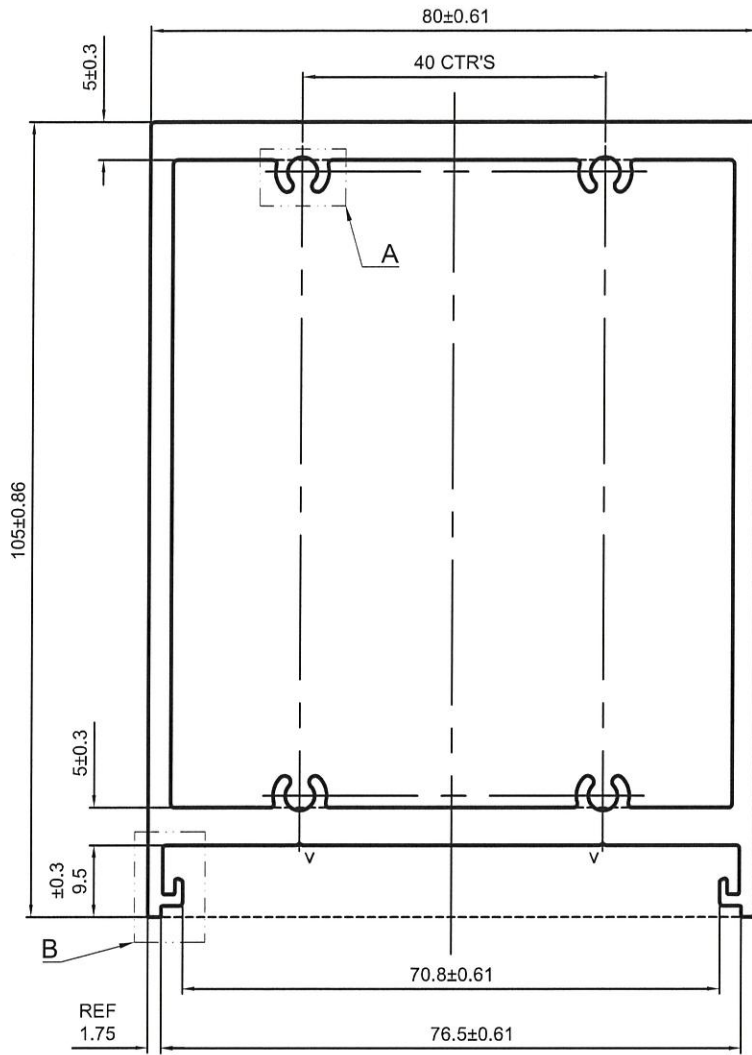
备注: 没有配合型号!

SIGNATURE GRADEING	HIGH SIGNATURE GRADEING	C.C.DIA(MM)	Ø 16.32				喷涂收费周长(mm):		32.42
AREA (SQ.MM)	67.89	UNSPECIFIED THICKNESS	2.3±0.25	PERIMETER (MM)	54.04	STANDARD	BS EN755	SCALE	4:1
MASS (KG/M)	0.184	UNSPECIFIED CORNERS	R 0.3	SURFACE AREA	23.25	ALLOY	6063-T6	VERSION	A
COMPANY ISSUE		A	DRAWN	周海英	DATE	2020-07-12	APELLATION	-	PAGE OF
			STANDARDIZATION		DATE				
			TO SIGN	王添明	DATE				
			AUDITING		DATE				
MARKER	MODIFY	FILE NO	SIGNATURE	DATE	APPROV				



PANASIA ALUMINUM (CHINA) LIMITED

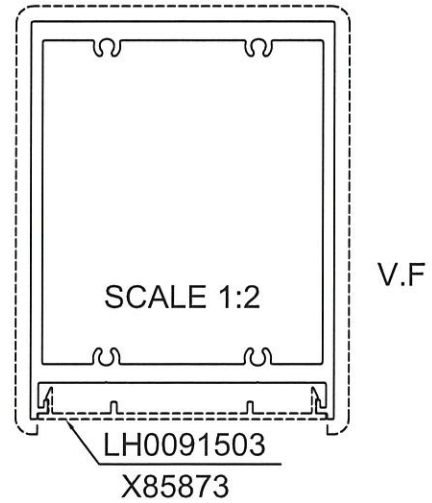
CUSTOMER	HONGKONG CO.	CUSTOMER APPROVAL	DS 17	CUST PART NO.	X85872
				SECTION NO.	LH0091502



美特鋁質有限公司
承認圖面
日期 16-7-20

a=R0.2
b=R0.3
v=0.3X90°

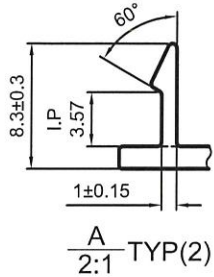
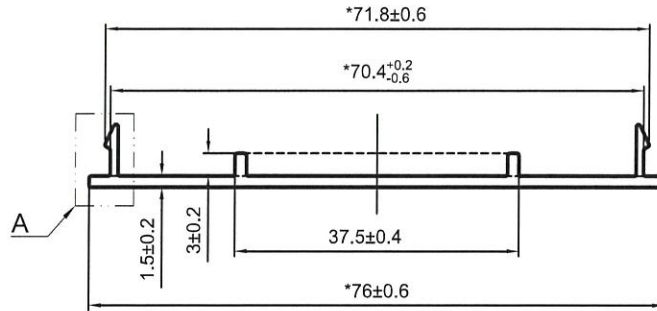
*配合尺寸以实物配合效果为准!



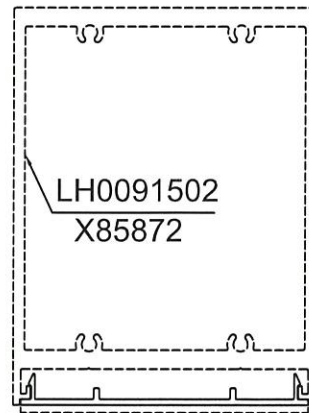
SIGNATURE GRADEING	HIGH SIGNATURE GRADEING	C.C.DIA(MM)	Ø 131.69		喷涂收费周长(mm):		293.16		
AREA (SQ MM)	1414.85	UNSPECIFIED THICKNESS	3.0±0.25	PERIMETER (MM)	405.13	STANDARD	BS EN755	SCALE 1:1	
MASS (KG/M)	3.834	UNSPECIFIED CORNERS	R 0.5	SURFACE AREA	293.16	ALLOY	6063-T6	VERSION A	
COMPANY ISSUE		A	DRAWN	蔡晓婷	DATE	2020-07-12	APELLATION	-	PAGE OF
			STANDARDIZATION		DATE				
			TO SIGN	王添明	DATE				
			AUDITING		DATE				
MARKER	MODIFY	FILE NO	SIGNATURE	DATE	APPROV	DATE			

 PANASIA ALUMINUM (CHINA) LIMITED

CUSTOMER	HONGKONG CO.	CUSTOMER APPROVAL	D514	CUST PART NO.	X85873
				SECTION NO.	LH0091503



美特鋁質有限公司
承認圖面
日期 16-7-20



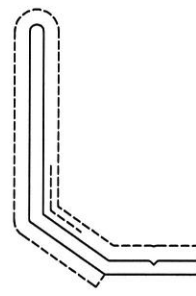
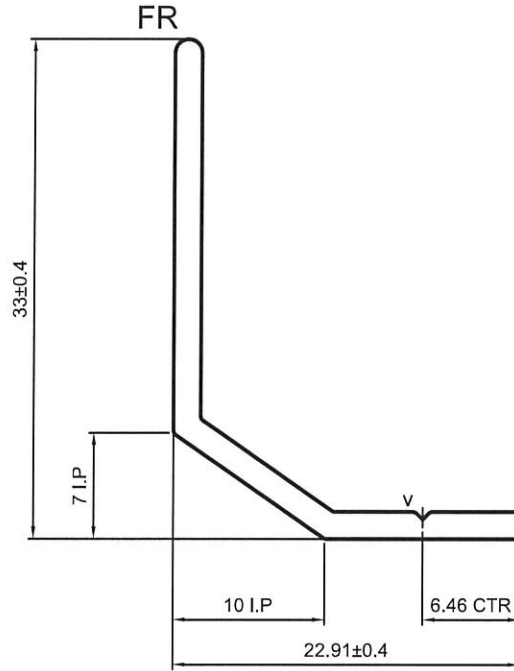
SCALE 1:2

*配合尺寸以实物配合效果为准!

SIGNATURE GRADEING	HIGH SIGNATURE GRADEING	C.C.DIA(MM)	Ø 76.01		喷涂收费周长(mm):		115.19		
AREA (SQ MM)	137.66	UNSPECIFIED THICKNESS	1.5±0.15	PERIMETER (MM)	191.99	STANDARD	BS EN755	SCALE 1:1	
MASS (KG/M)	0.373	UNSPECIFIED CORNERS	R 0.3	SURFACE AREA	76.34	ALLOY	6063-T5	VERSION A	
COMPANY ISSUE		A	DRAWN	蔡晓婷	DATE	2020-07-12	APELLATION	-	PAGE OF
			STANDARDIZATION		DATE				
			TO SIGN	王添明	DATE				
			AUDITING		DATE				
MARKER	MODIFY	FILE NO	SIGNATURE	DATE	APPROV				

 PANASIA ALUMINUM (CHINA) LIMITED

CUSTOMER	HONGKONG CO.	CUSTOMER APPROVAL	D.S.15	CUST PART NO.	X85874
				SECTION NO.	LH0091504



V.F

SCALE 1:1

v=0.5X90°

----- 次要装饰面，喷涂膜厚不足，但不露底

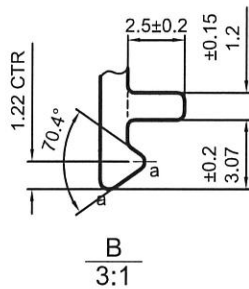
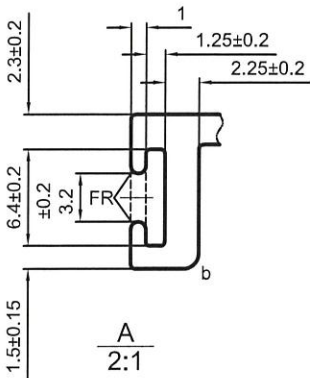
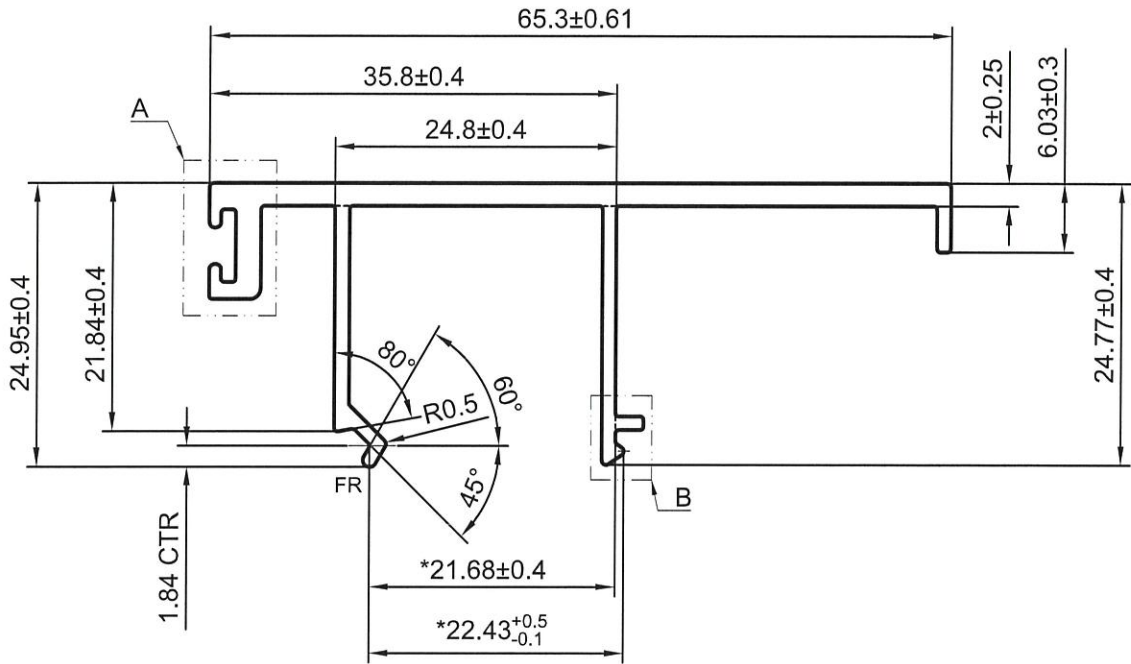
----- 装饰面

备注：没有配合型号！

SIGNATURE GRADEING	HIGH SIGNATURE GRADEING	C.C.DIA(MM)	Ø 39.71		喷涂收费周长(mm):		87.94		
AREA (SQ MM)	88.66	UNSPECIFIED THICKNESS	1.8±0.15	PERIMETER (MM)	102.13	STANDARD	BS EN755	SCALE	2:1
MASS (KG/M)	0.240	UNSPECIFIED CORNERS	R 0.3	SURFACE AREA	87.94	ALLOY	6063-T6	VERSION	A
COMPANY ISSUE		A	DRAWN	周海英	DATE	2020-07-12	APPELLATION	-	PAGE OF
			STANDARDIZATION		DATE				
			TO SIGN	王添明	DATE				
			AUDITING		DATE				
MARKER	MODIFY	FILE NO	SIGNATURE	DATE	APPROV				

 PANASIA ALUMINUM (CHINA) LIMITED

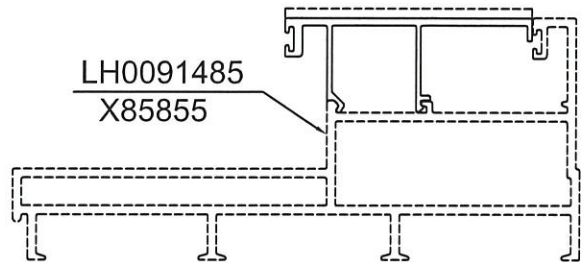
CUSTOMER	HONGKONG CO.	CUSTOMER APPROVAL	vsl	CUST PART NO.	X85875
				SECTION NO.	LH0091505



a=R0.4
b=R1



V.F



SCALE 1:2

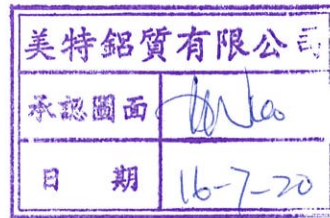
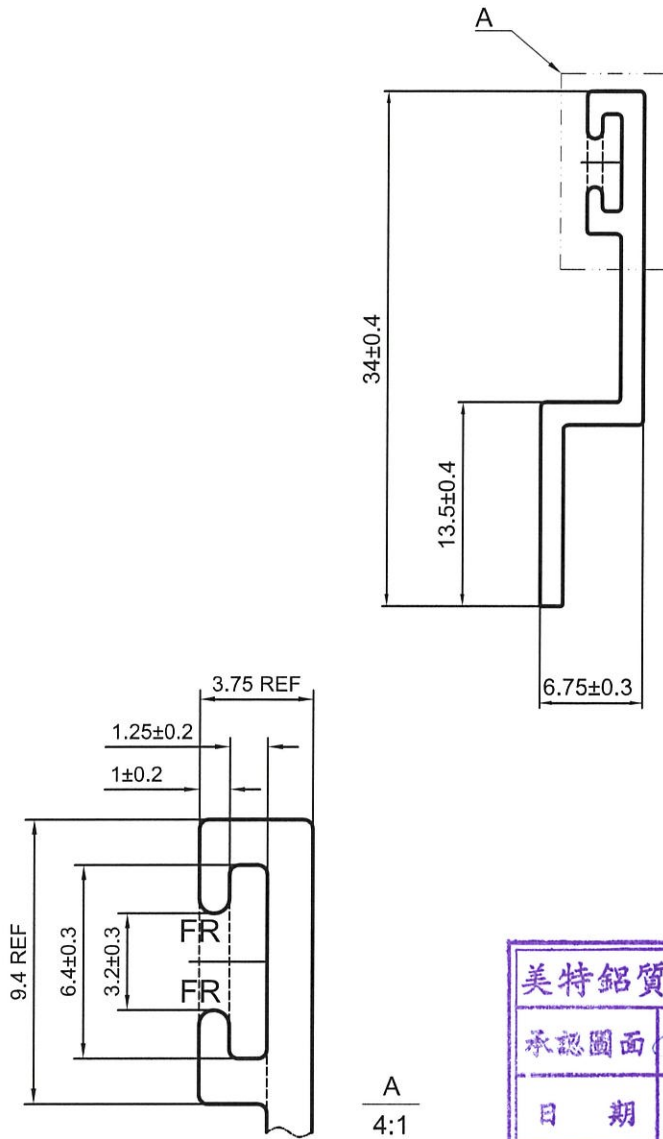
*配合尺寸以实物配合效果为准!

SIGNATURE GRADEING	HIGH SIGNATURE GRADEING	C.C.DIA(MM)	Ø 66.01				喷涂收费周长(mm):		159.80	
AREA (SQ MM)	224.40	UNSPECIFIED THICKNESS	1.2±0.15	PERIMETER (MM)	266.33	STANDARD	BS EN755	SCALE	1.5:1	
MASS (KG/M)	0.609	UNSPECIFIED CORNERS	R 0.3	SURFACE AREA	65.64	ALLOY	6063-T6	VERSION	A	
COMPANY ISSUE		A	DRAWN	蔡晓婷	DATE	2020-07-12	APPELLATION	-	PAGE OF	
			STANDARDIZATION		DATE					
			TO SIGN	王添明	DATE					
			AUDITING		DATE					
MARKER	MODIFY FILE NO	SIGNATURE	DATE	APPROV	DATE					

PANASIA ALUMINUM (CHINA) LIMITED

38

CUSTOMER	HONGKONG CO.	CUSTOMER APPROVAL	6517	CUST PART NO.	X85876
				SECTION NO.	LH0091506



SCALE 1:1

----- 次要装饰面，喷涂膜厚不足，但不露底

----- 装饰面

●●●●●● 凹槽位置可能会有露底现象，即膜厚不足

备注：没有配合型号！

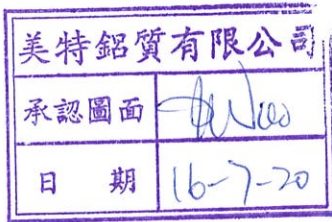
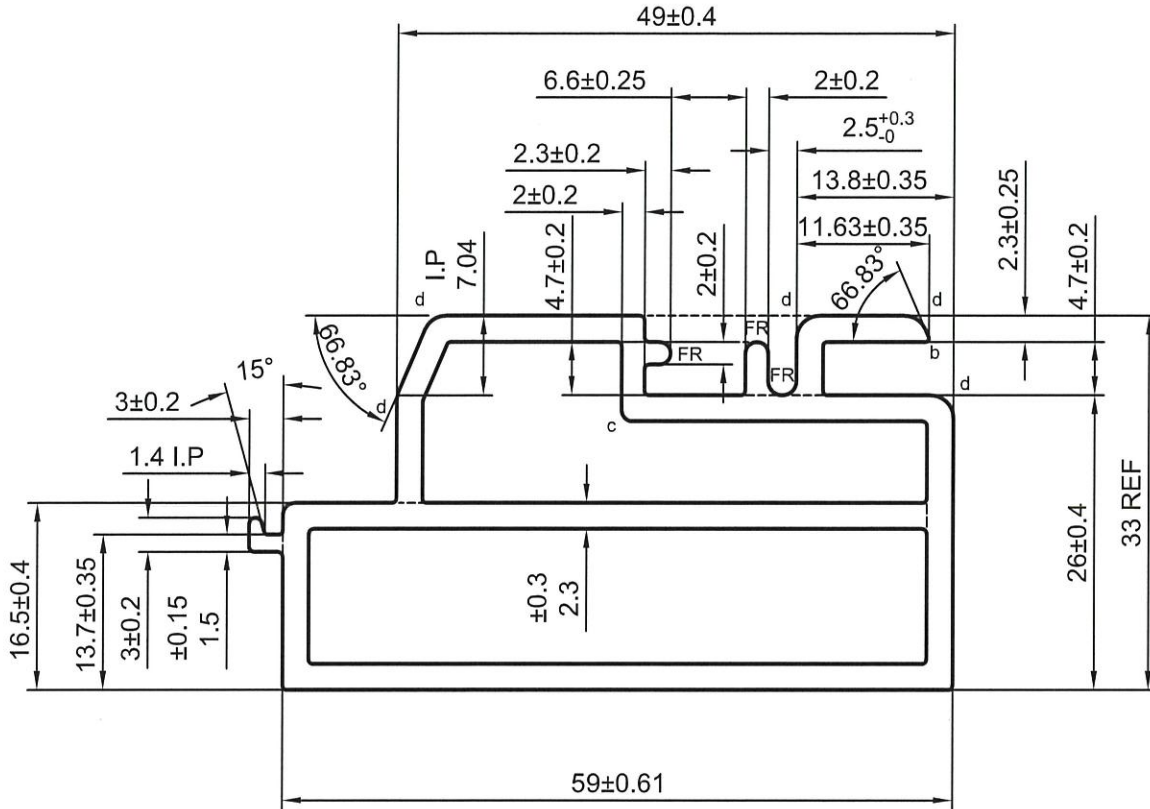
SIGNATURE GRADEING	HIGH SIGNATURE GRADEING	C.C.DIA(MM)	Ø 34.72				喷涂收费周长(mm):		94.33	
AREA (SQ MM)	68.63	UNSPECIFIED THICKNESS	1.5±0.15	PERIMETER (MM)	94.33	STANDARD	BS EN755	SCALE	2:1	
MASS (KG/M)	0.186	UNSPECIFIED CORNERS	R 0.3	SURFACE AREA	94.33	ALLOY	6063-T6	VERSION	A	
COMPANY ISSUE		A	DRAWN	周海英	DATE	2020-07-12	APPELLATION	-	PAGE OF	
			STANDARDIZATION		DATE					
			TO SIGN	王添明	DATE					
			AUDITING		DATE					
MARKER	MODIFY	FILE NO	SIGNATURE	DATE	APPROV					



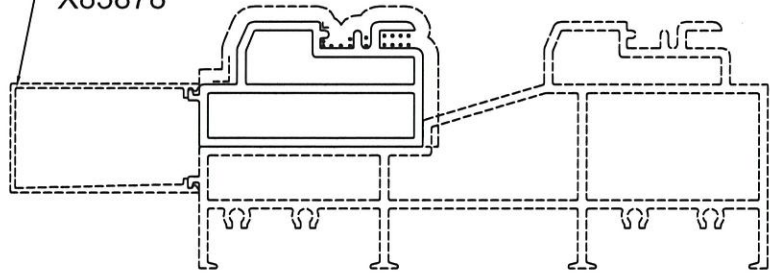
PANASIA ALUMINUM (CHINA) LIMITED

32

CUSTOMER	HONGKONG CO.	CUSTOMER APPROVAL	D518	CUST PART NO.	X85877
				SECTION NO.	LH0091507



LH0091508
X85878



a=R0.5

b=R0.3

c=R1

d=R2

----- 次要装饰面，喷涂膜厚不足，但不露底

----- 装饰面

●●●●● 凹槽位置可能会有露底现象，即膜厚不足

*配合尺寸以实物配合效果为准！

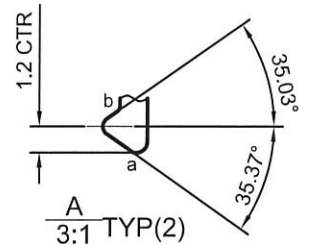
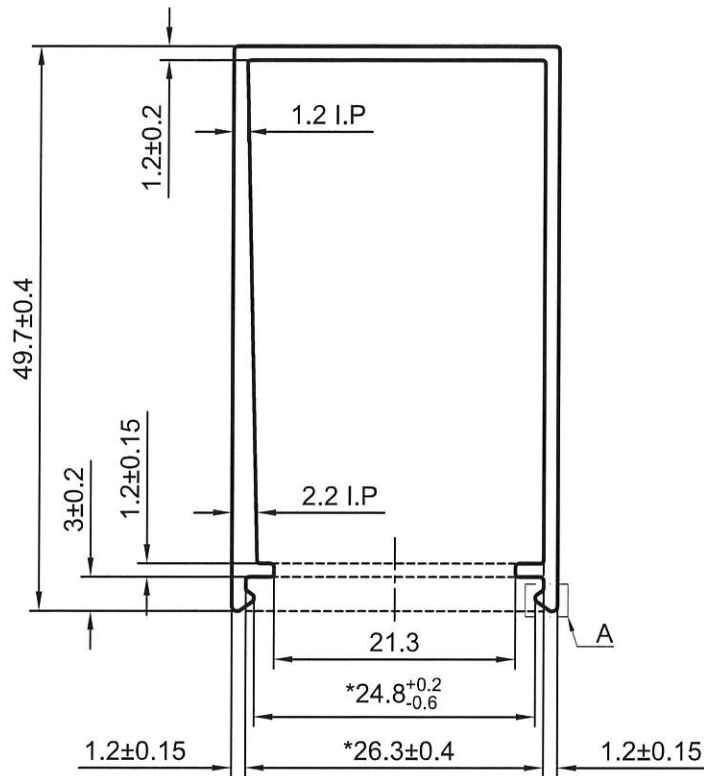
SCALE 1:2 (V.F)

SIGNATURE GRADEING	HIGH SIGNATURE GRADEING	C.C.DIA(MM)	Ø 64.98			喷涂收费周长(mm):		146.26	
AREA (SQ MM)	551.71	UNSPECIFIED THICKNESS	2.3±0.25	PERIMETER (MM)	227.78	STANDARD	BS EN755	SCALE	1.5:1
MASS (KG/M)	1.495	UNSPECIFIED CORNERS	R 0.4	SURFACE AREA	146.26	ALLOY	6063-T6	VERSION	A
COMPANY ISSUE		A	DRAWN	蔡晓婷	DATE	2020-07-12	APELLATION	-	PAGE OF
			STANDARDIZATION		DATE				
			TO SIGN	王添明	DATE				
			AUDITING		DATE				
MARKER	MODIFY	FILE NO	SIGNATURE	DATE	APPROV	DATE			

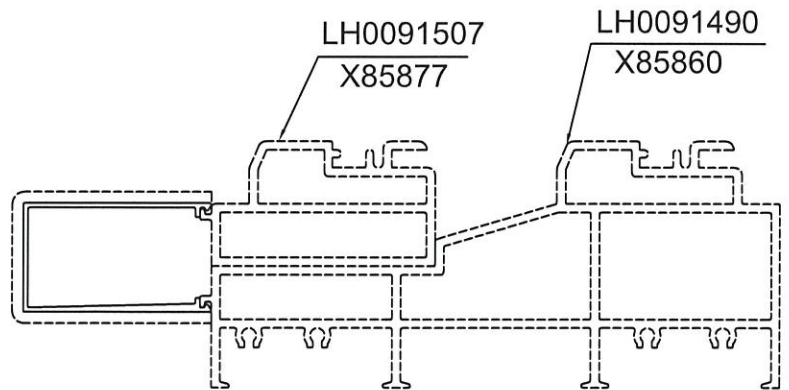


PANASIA ALUMINUM
(CHINA) LIMITED

CUSTOMER	HONGKONG CO.	CUSTOMER APPROVAL	2519	CUST PART NO.	X85878
				SECTION NO.	LH0091508



美特鋁質有限公司
承認圖面
日期 16-7-20



a=R0.5
b=R0.3

*配合尺寸以实物配合效果为准!

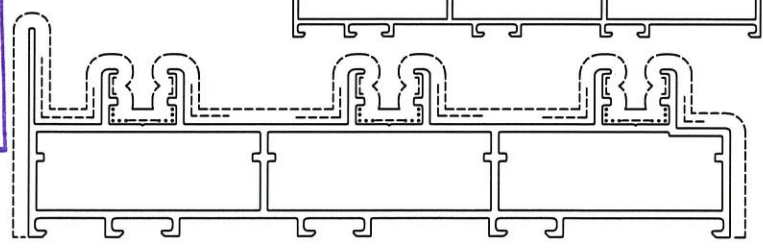
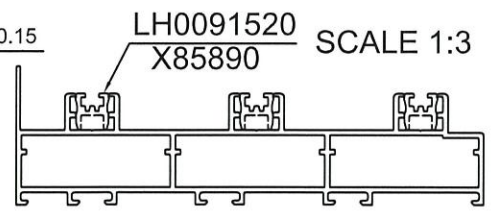
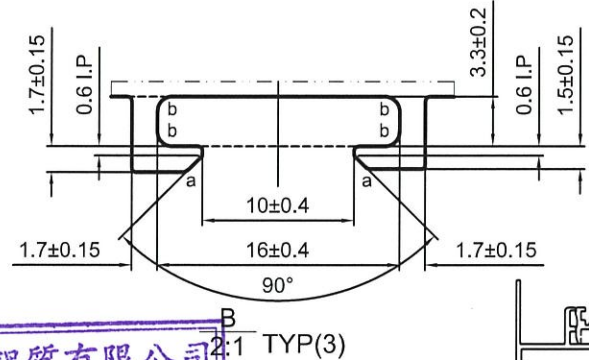
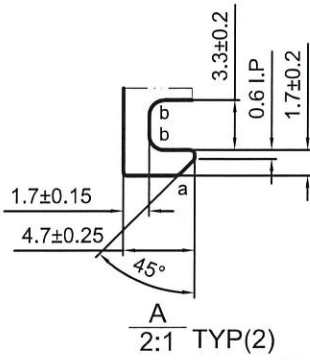
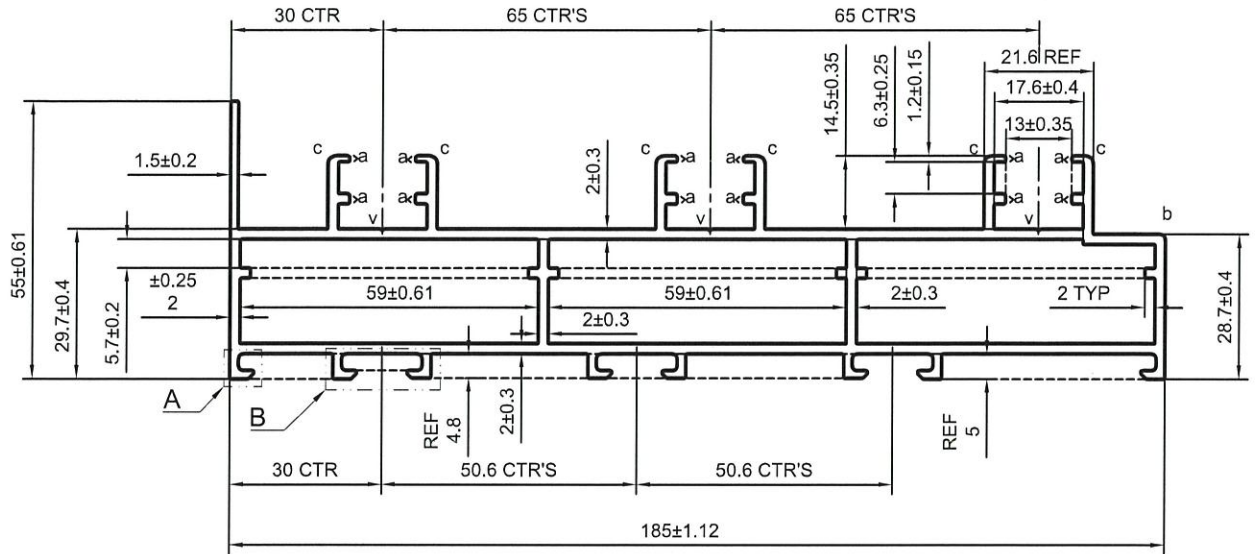
SCALE 1:2 (V.F)

SIGNATURE GRADEING	HIGH SIGNATURE GRADEING	C.C.DIA(MM)	Ø 57.11				喷涂收费周长(mm):		157.00	
AREA (SQ MM)	180.04	UNSPECIFIED THICKNESS	1.2±0.15	PERIMETER (MM)	261.66	STANDARD	BS EN755	SCALE	1.5:1	
MASS (KG/M)	0.488	UNSPECIFIED CORNERS	R 0.4	SURFACE AREA	129.03	ALLOY	6063-T6	VERSION	A	
COMPANY ISSUE		A	DRAWN	蔡晓婷	DATE	2020-07-12	APPELLATION	-	PAGE OF	
			STANDARDIZATION		DATE					
			TO SIGN	王添明	DATE					
			AUDITING		DATE					
MARKER	MODIFY	FILE NO	SIGNATURE	DATE	APPROV	DATE				

PANASIA ALUMINUM (CHINA) LIMITED

34

CUSTOMER	HONGKONG CO.	CUSTOMER APPROVAL	1501	CUST PART NO.	X85879
				SECTION NO.	LH0091509



SCALE 1:2 (V.F)

$v=0.3 \times 90^\circ$
 $a=R0.5$ $b=R1$ $c=R1.5$

- 次要装饰面, 喷涂膜厚不足, 但不露底
 - 装饰面
 - 凹槽位置可能会有露底现象, 即膜厚不足
- *配合尺寸以实物配合效果为准!

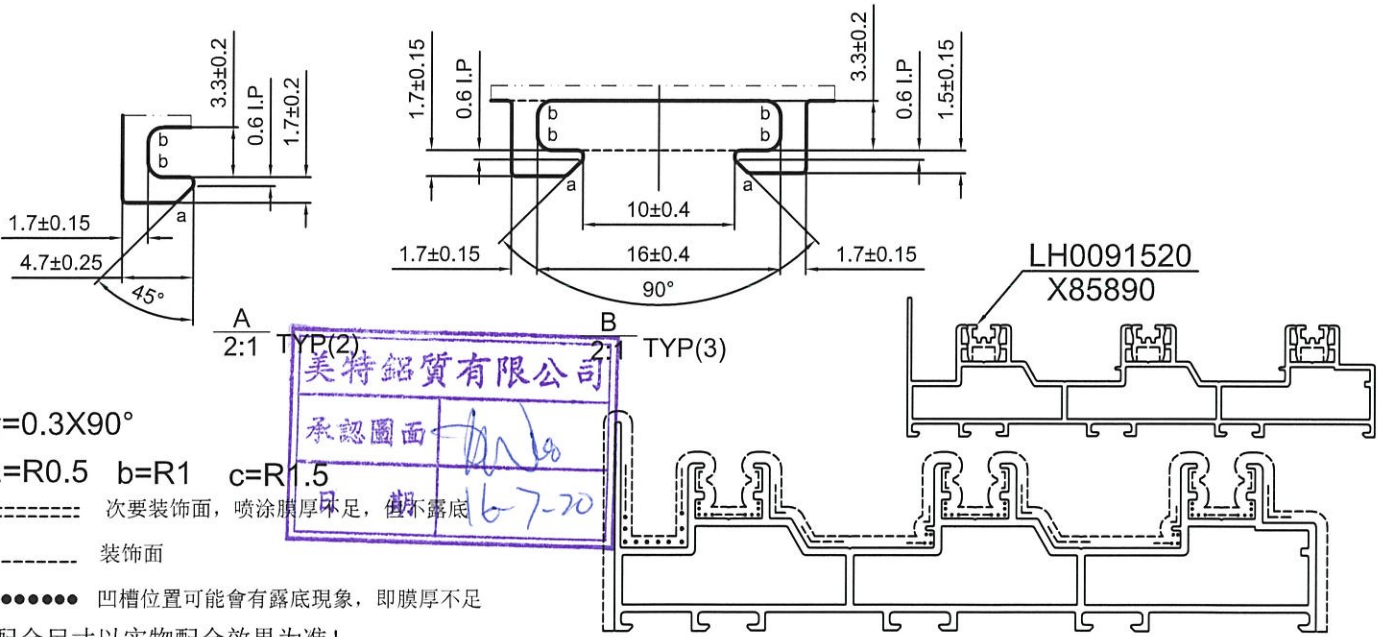
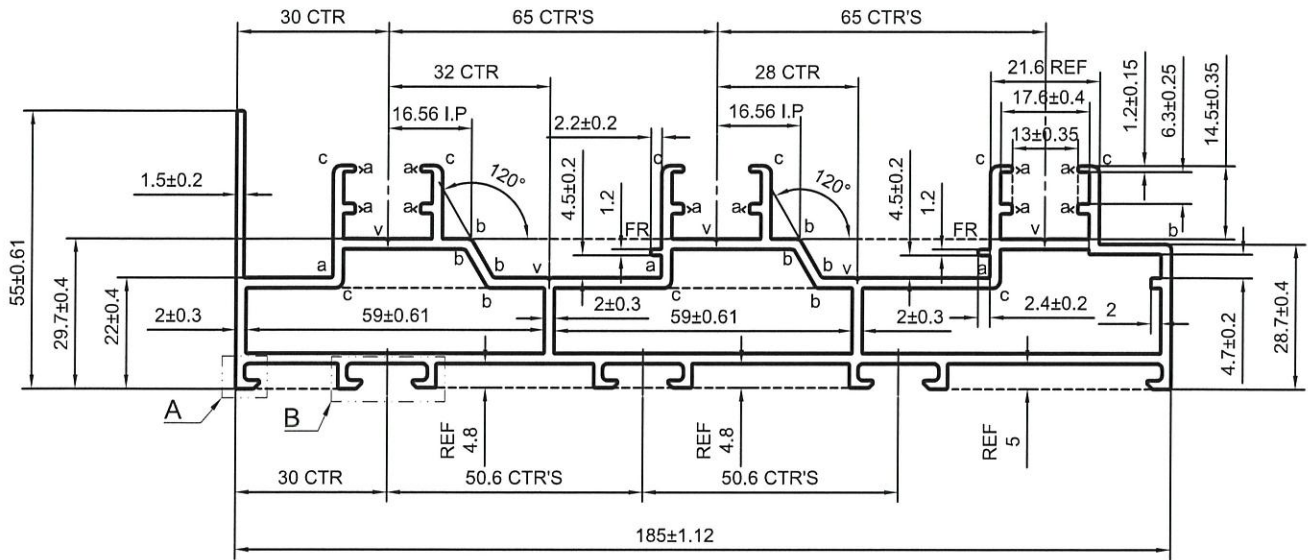
美特铝质有限公司
 承認圖面
 日期 16-7-20

SIGNATURE GRADEING	HIGH SIGNATURE GRADEING	C.C.DIA(MM)	Ø 192.86		喷涂收费周长(mm):		511.52	
AREA (SQ MM)	1286.00	UNSPECIFIED THICKNESS	2±0.25	PERIMETER (MM)	797.91	STANDARD	BS EN755	SCALE 1:1.5
MASS (KG/M)	3.485	UNSPECIFIED CORNERS	R 0.3	SURFACE AREA	511.52	ALLOY	6063-T6	VERSION A
COMPANY ISSUE	A	DRAWA	蔡晓婷	DATE	2020-07-12	APPELLATION	-	PAGE OF
		STANDA-RDIZATION		DATE				
		TO SIGN	王添明	DATE				
		AUDITING		DATE				
MARKER	MODIFY	FILE NO	SIGNATURE	DATE	APPROV	DATE		

PANASIA ALUMINUM (CHINA) LIMITED

35

CUSTOMER	HONGKONG CO.	CUSTOMER APPROVAL	1502	CUST PART NO.	X85880
				SECTION NO.	LH0091510



$v=0.3 \times 90^\circ$

$a=R0.5$ $b=R1$ $c=R1.5$

----- 次要装饰面, 喷涂膜厚不足, 但不露底

----- 装饰面

●●●●● 凹槽位置可能会有露底现象, 即膜厚不足

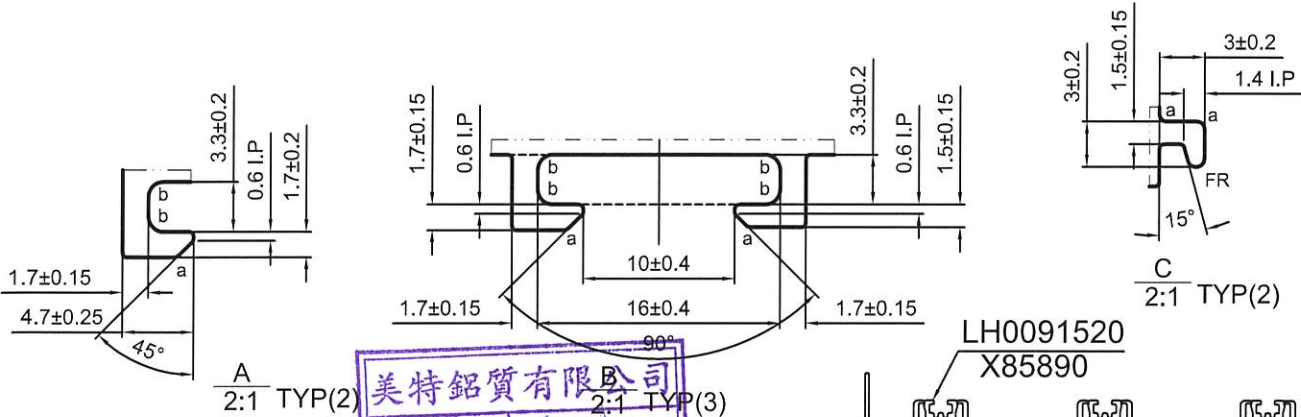
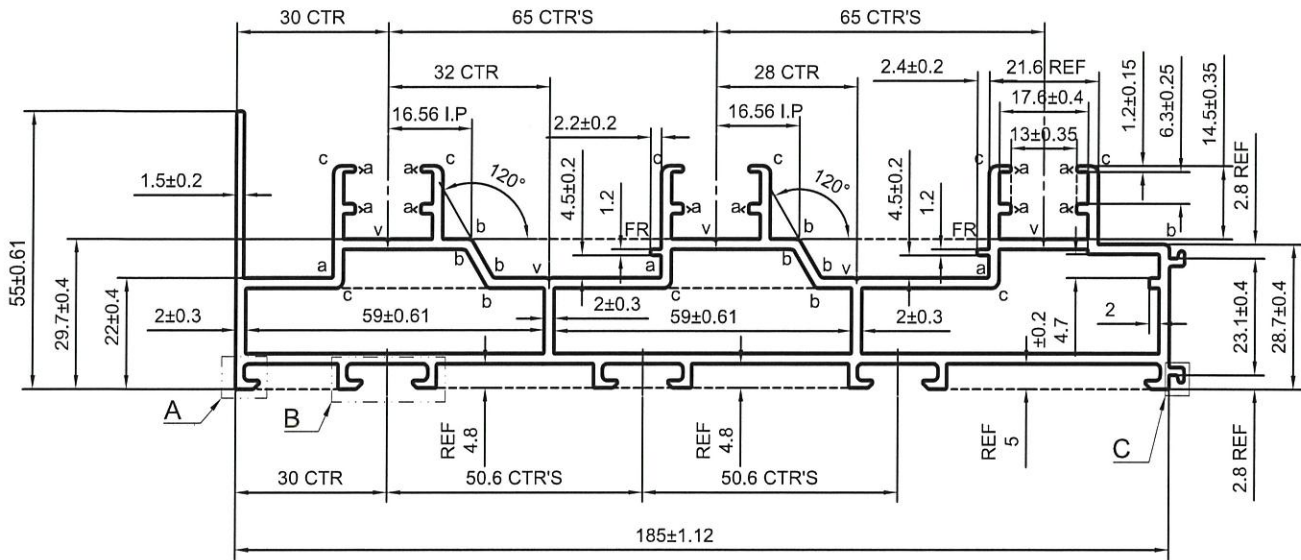
*配合尺寸以实物配合效果为准!

SCALE 1:2 (V.F)

SIGNATURE GRADEING	HIGH SIGNATURE GRADEING	C.C.DIA(MM)	Ø 192.86		喷涂收费周长(mm):		558.62		
AREA (SQ MM)	1299.15	UNSPECIFIED THICKNESS	2±0.25	PERIMETER (MM)	845.02	STANDARD	BS EN755	SCALE	1:1.5
MASS (KG/M)	3.521	UNSPECIFIED CORNERS	R 0.3	SURFACE AREA	558.62	ALLOY	6063-T6	VERSION	A
COMPANY ISSUE		A	DRAWN	蔡晓婷	DATE	2020-07-12	APPELLATION	-	PAGE OF
			STANDARDIZATION		DATE				
			TO SIGN	王添明	DATE				
			AUDITING		DATE				
MARKER	MODIFY	FILE NO	SIGNATURE	DATE	APPROV	DATE			



CUSTOMER	HONGKONG CO.	CUSTOMER APPROVAL	1502B	CUST PART NO.	X85881
				SECTION NO.	LH0091511



$v=0.3 \times 90^\circ$

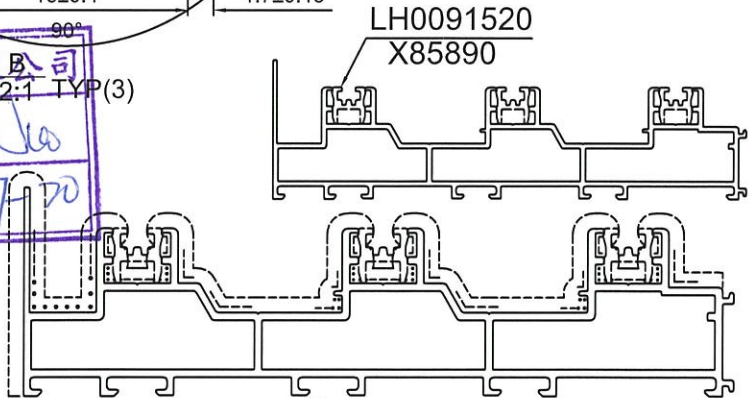
$a=R0.5 \quad b=R1 \quad c=R1.5$

----- 次要装饰面, 喷涂膜厚不足, 但不露底

----- 装饰面

●●●●● 凹槽位置可能有露底现象, 即膜厚不足

*配合尺寸以实物配合效果为准!

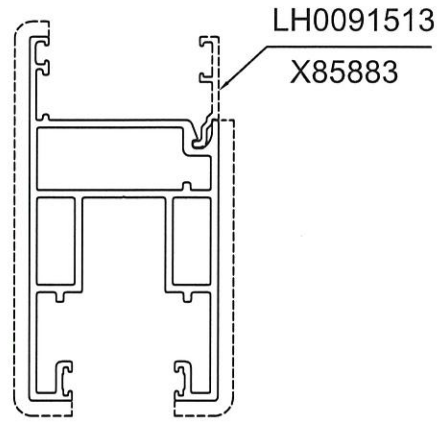
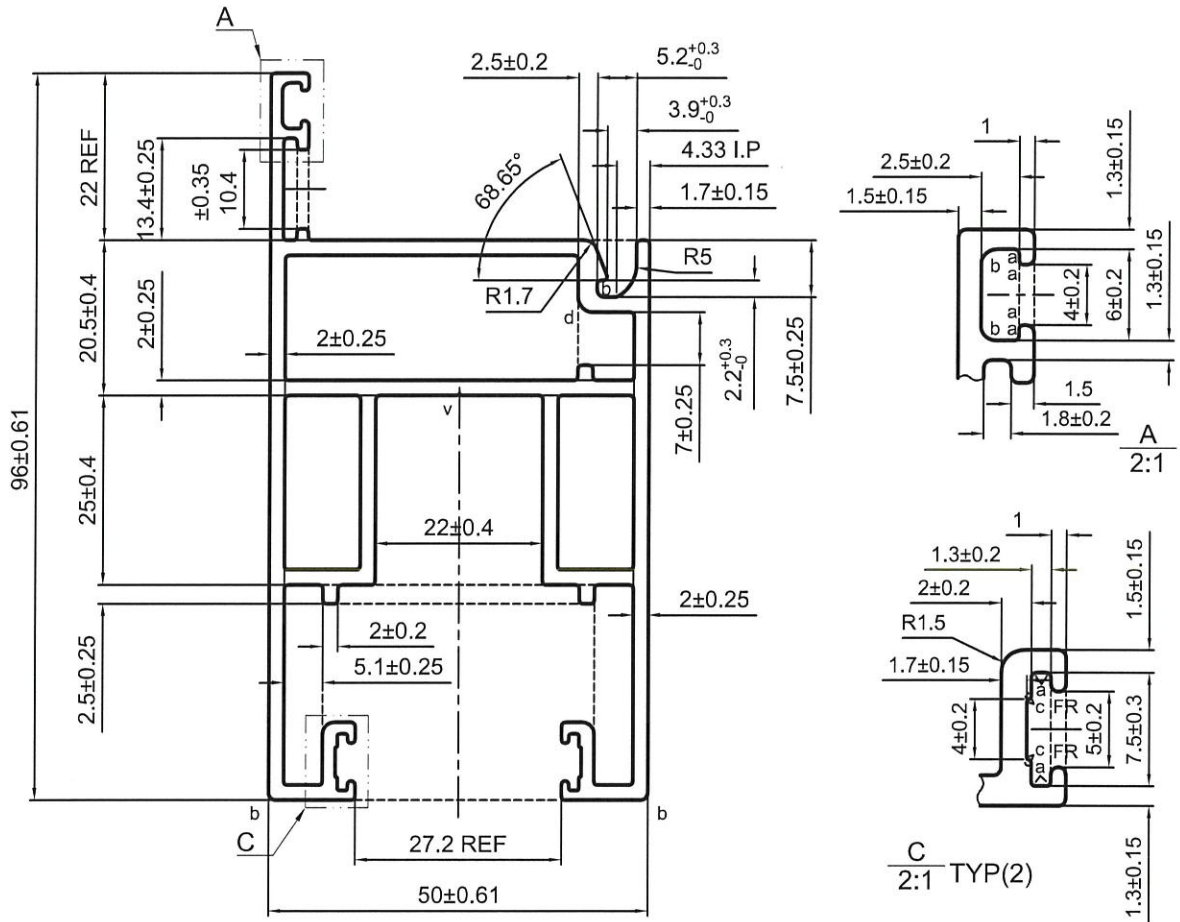


SCALE 1:2 (V.F.)

SIGNATURE GRADEING	HIGH SIGNATURE GRADEING	C.C.DIA(MM)	Ø 195.32		喷涂收费周长(mm):		530.75		
AREA (SQ MM)	1311.60	UNSPECIFIED THICKNESS	2±0.25	PERIMETER (MM)	860.33	STANDARD	BS EN755	SCALE	1:1.5
MASS (KG/M)	3.554	UNSPECIFIED CORNERS	R 0.3	SURFACE AREA	530.75	ALLOY	6063-T6	VERSION	A
COMPANY ISSUE	A	DRAWN	蔡晓婷	DATE	2020-07-12	APPELLATION	-	PAGE OF	
		STANDARDIZATION		DATE					
		TO SIGN	王添明	DATE					
		AUDITING		DATE					
MARKER	MODIFY	FILE NO	SIGNATURE	DATE	APPROV				

PANASIA ALUMINUM (CHINA) LIMITED

CUSTOMER	HONGKONG CO.	CUSTOMER APPROVAL	1503	CUST PART NO.	X85882
				SECTION NO.	LH0091512



美特鋁質有限公司
承認圖面
日期 16-7-20

v=0.3X90°
a=R0.3 b=R1 c=R0.2 d=R2
----- 次要裝飾面，噴塗膜厚不足，但不露底
----- 裝飾面
●●●●● 凹槽位置可能有露底現象，即膜厚不足
*配合尺寸以实物配合效果為準！

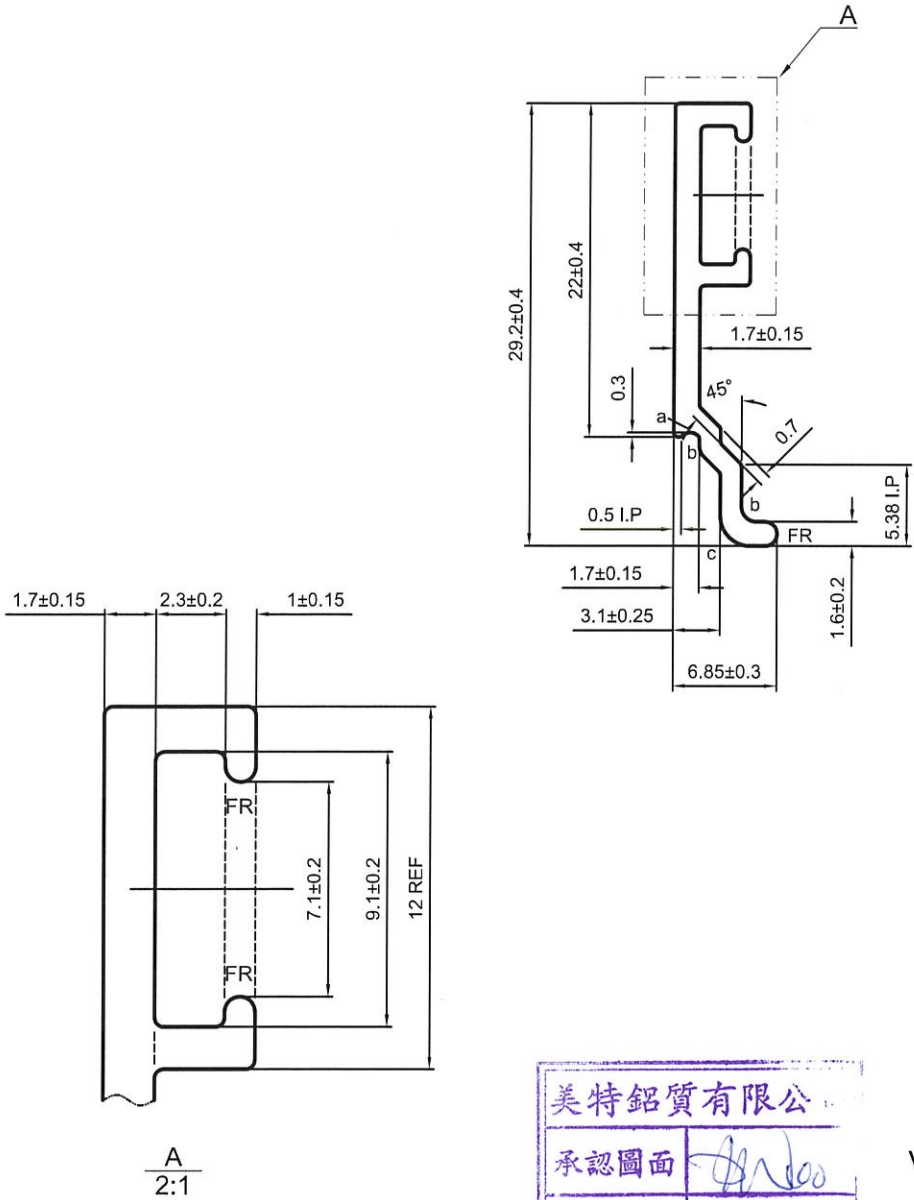
SCALE 1:2 (V.F)

SIGNATURE GRADEING	HIGH SIGNATURE GRADEING	C.C.DIA(MM)	Ø 107.72		噴塗收費周長(mm):		313.49		
AREA (SQ MM)	783.06	UNSPECIFIED THICKNESS	2±0.2	PERIMETER (MM)	522.49	STANDARD	BS EN755	SCALE	1:1
MASS (KG/M)	2.122	UNSPECIFIED CORNERS	R 0.5	SURFACE AREA	197.87	ALLOY	6063-T6	VERSION	A
COMPANY ISSUE		A	DRAWA	蔡曉婷	DATE	2020-07-12	APPELLATION	-	PAGE OF
			STANDA-RDIZATION		DATE				
			TO SIGN	王添明	DATE				
			AUDITING		DATE				
MARKER	MODIFY	FILE NO	SIGNATURE	DATE	APPROV	DATE			

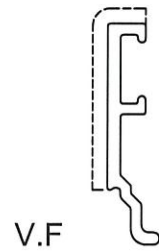
PANASIA ALUMINUM (CHINA) LIMITED

38

CUSTOMER	HONGKONG CO.	CUSTOMER APPROVAL	1504	CUST PART NO.	X85883
				SECTION NO.	LH0091513



美特鋁質有限公司
承認圖面
日期 16-7-20



SCALE 1:1

a=R0.75 b=R1 c=R2

备注：没有配合型号！

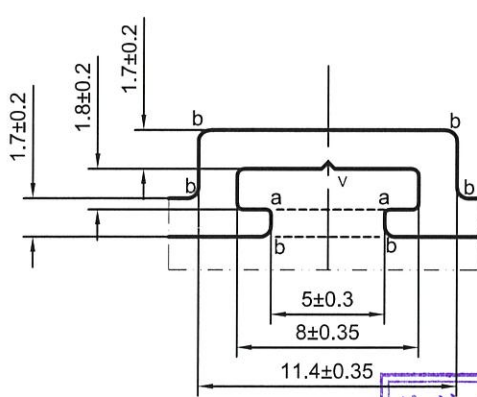
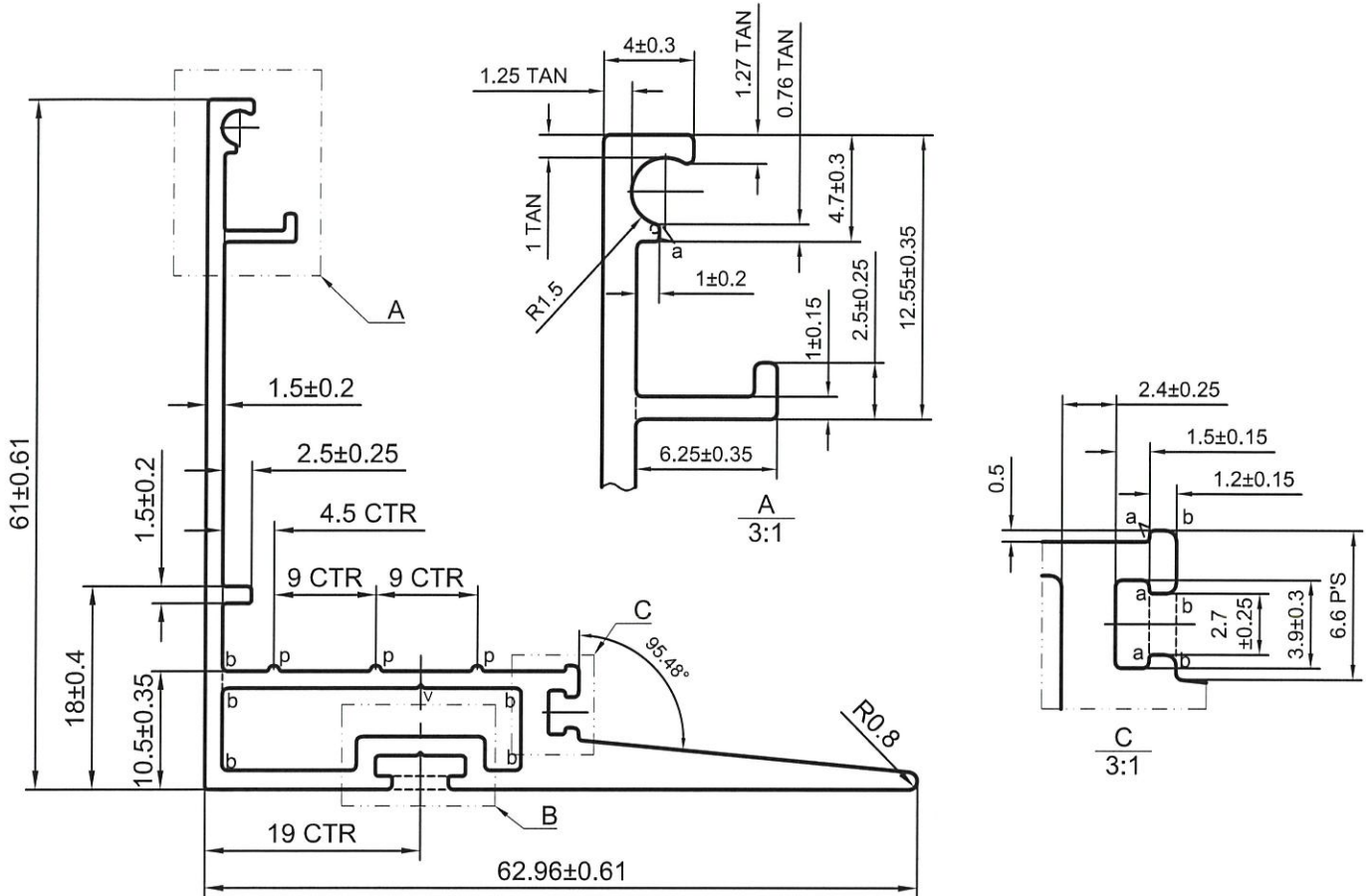
SIGNATURE GRADEING	HIGH SIGNATURE GRADEING	C.C.DIA(MM)	Ø 29.82				喷涂收费周长(mm):		49.75	
AREA (SQ MM)	64.06	UNSPECIFIED THICKNESS	1.4±0.15	PERIMETER (MM)	82.91	STANDARD	BS EN755	SCALE	2:1	
MASS (KG/M)	0.174	UNSPECIFIED CORNERS	R 0.3	SURFACE AREA	27.21	ALLOY	6063-T6	VERSION	A	
COMPANY ISSUE		A	DRAWN	周海英	DATE	2020-07-11	APELLATION	-	PAGE OF	
			STANDARDIZATION		DATE					
			TO SIGN	王添明	DATE					
			AUDITING		DATE					
MARKER	MODIFY	FILE NO	SIGNATURE	DATE	APPROV					



PANASIA ALUMINUM (CHINA) LIMITED

39

CUSTOMER	HONGKONG CO.	CUSTOMER APPROVAL	1505	CUST PART NO.	X85884
				SECTION NO.	LH0091514



$p=0.5XR0.5$
 $v=0.3X90^\circ$
 $a=0.2$ $b=0.5$

----- 装饰面

●●●●● 凹槽位置可能有露底现象, 即膜厚不足

备注: 没有配合型号!

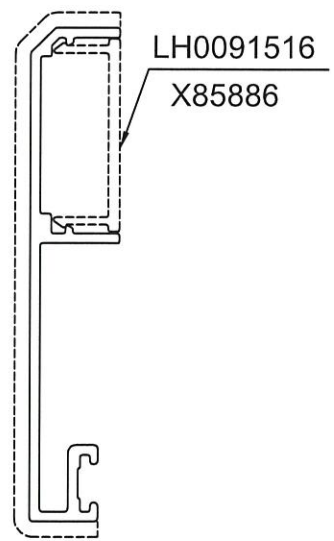
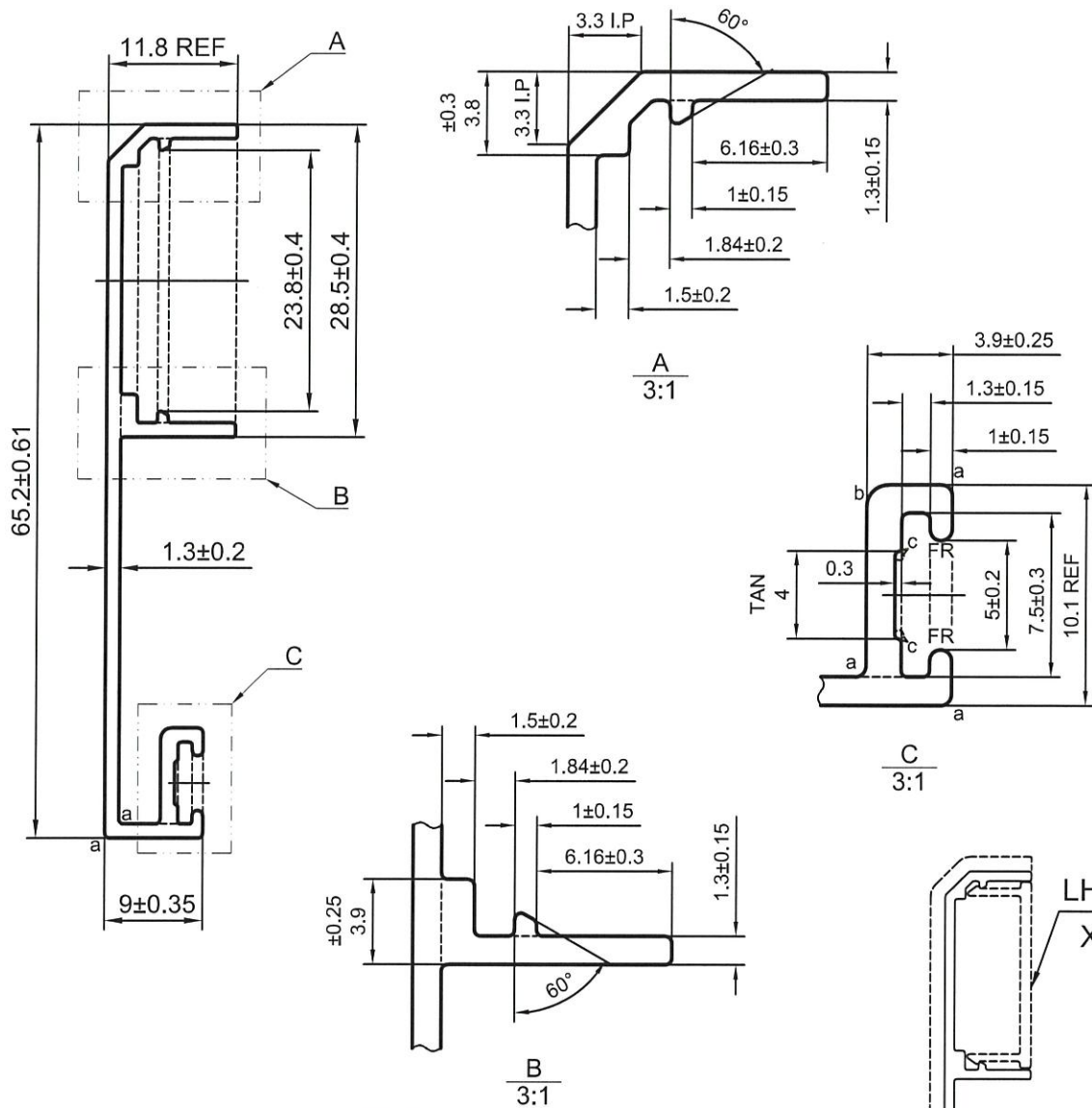
V.F
SCALE 1:1

美特铝质有限公司
承認圖面
日期 16-7-20

SIGNATURE GRADEING	HIGH SIGNATURE GRADEING	C.C.DIA(MM)	Ø 87.21		喷涂收费周长(mm):		173.33		
AREA (SQ MM)	339.57	UNSPECIFIED THICKNESS	1.5 ± 0.2	PERIMETER (MM)	288.88	STANDARD	BS EN755	SCALE	1.5:1
MASS (KG/M)	0.920	UNSPECIFIED CORNERS	R 0.3	SURFACE AREA	140.61	ALLOY	6063-T6	VERSION	A
COMPANY ISSUE	A	DRAWN	周海英	DATE	2020-07-13	APPELLATION	-	PAGE OF	
		STANDARDIZATION		DATE					
		TO SIGN	王添明	DATE					
		AUDITING		DATE					
MARKER	MODIFY	FILE NO	SIGNATURE	DATE	APPROV	DATE			

PANASIA ALUMINUM (CHINA) LIMITED

CUSTOMER	HONGKONG CO.	CUSTOMER APPROVAL	1506	CUST PART NO.	X85885
				SECTION NO.	LH0091515



美特鋁質有限公司
承認圖面
日期 16-7-20

V.F
SCALE 1:1

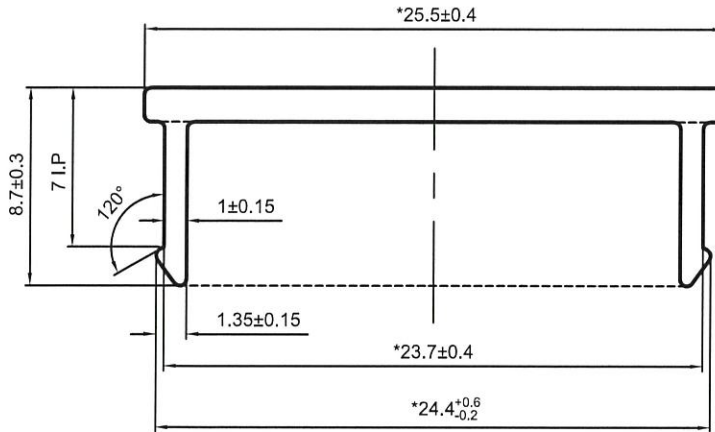
a=0.5 b=1 c=0.2

*配合尺寸以实物配合效果为准!

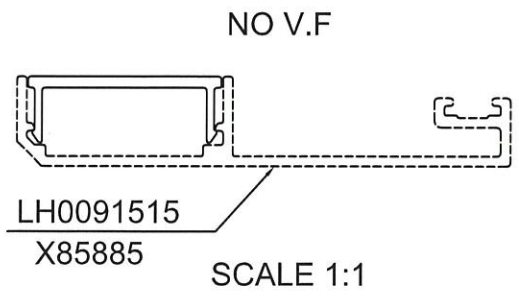
SIGNATURE GRADEING	HIGH SIGNATURE GRADEING	C.C.DIA(MM)	Ø 66.2				喷涂收费周长(mm):		128.38
AREA (SQ MM)	144.65	UNSPECIFIED THICKNESS	1.3±0.15	PERIMETER (MM)	213.96	STANDARD	BS EN755	SCALE	1.5:1
MASS (KG/M)	0.392	UNSPECIFIED CORNERS	R 0.3	SURFACE AREA	84.28	ALLOY	6063-T6	VERSION	A
COMPANY ISSUE		A	DRAWN	周海英	DATE	2020-07-13	APPELLATION	-	PAGE OF
			STANDARDIZATION		DATE				
			TO SIGN	王添明	DATE				
			AUDITING		DATE				
MARKER	MODIFY	FILE NO	SIGNATURE	DATE	APPROV				

PANASIA ALUMINUM (CHINA) LIMITED

CUSTOMER	HONGKONG CO.	CUSTOMER APPROVAL	TS-X	CUST PART NO.	X85886
				SECTION NO.	LH0091516



美特鋁質有限公司
承認圖面
日期 16-7-20



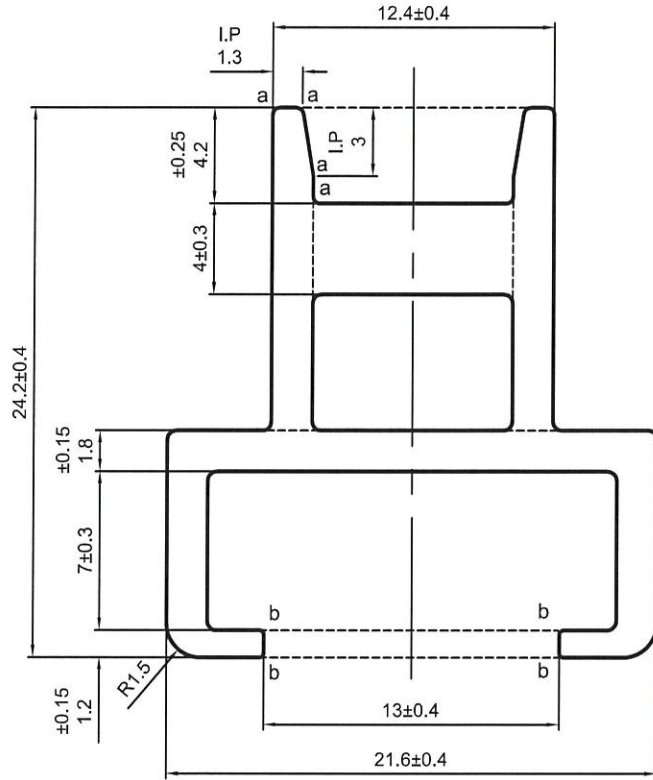
*配合尺寸以实物配合效果为准!

SIGNATURE GRADEING	HIGH SIGNATURE GRADEING	C.C.DIA(MM)	Ø 26.04		喷涂收费周长(mm):		-		
AREA (SQ.MM)	52.61	UNSPECIFIED THICKNESS	1.5±0.15	PERIMETER (MM)	81.29	STANDARD	BS EN755	SCALE	3:1
MASS (KG/M)	0.144	UNSPECIFIED CORNERS	R 0.3	SURFACE AREA	-	ALLOY	6063-T5	VERSION	A
COMPANY ISSUE		A	DRAWN	蔡晓婷	DATE	2020-07-12	APELLATION	-	PAGE OF
			STANDARDIZATION		DATE				
			TO SIGN	王添明	DATE				
			AUDITING		DATE				
MARKER	MODIFY	FILE NO	SIGNATURE	DATE	APPROV	DATE			

PANSIA ALUMINUM (CHINA) LIMITED

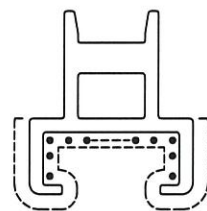
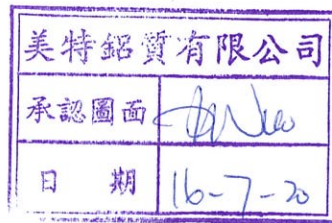
42

CUSTOMER	HONGKONG CO.	CUSTOMER APPROVAL	1508	CUST PART NO.	X85887
				SECTION NO.	LH0091517



a=R0.3

b=R0.2



V.F

SCALE 1:1

----- 次要裝飾面，噴塗膜厚不足，但不露底

----- 裝飾面

●●●●●● 凹槽位置可能有露底現象，即膜厚不足

备注：没有配合型号！

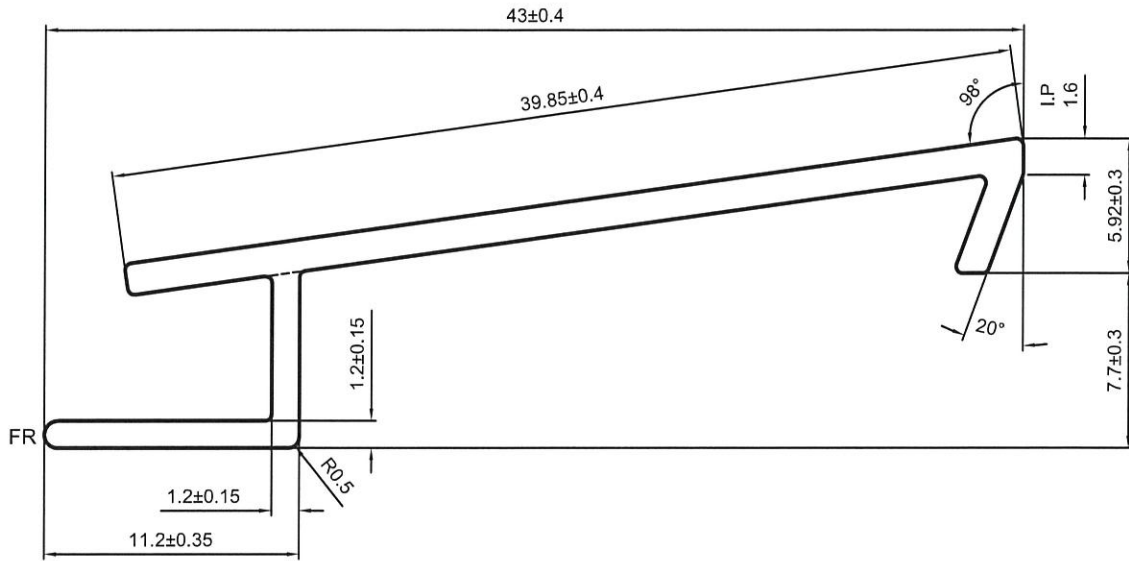
SIGNATURE GRADEING	HIGH SIGNATURE GRADEING	C.C.DIA(MM)	Ø 29.32		噴塗收費周長(mm):		73.07		
AREA (SQ MM)	158.47	UNSPECIFIED THICKNESS	1.8±0.15	PERIMETER (MM)	121.79	STANDARD	BS EN755	SCALE	3:1
MASS (KG/M)	0.429	UNSPECIFIED CORNERS	R 0.4	SURFACE AREA	66.14	ALLOY	6063-T6	VERSION	A
COMPANY ISSUE		A	DRAWN	蔡曉婷	DATE	2020-07-12	APPELLATION	-	PAGE OF
			STANDARDIZATION		DATE				
			TO SIGN	王添明	DATE				
			AUDITING		DATE				
MARKER	MODIFY	FILE NO	SIGNATURE	DATE	APPROV				



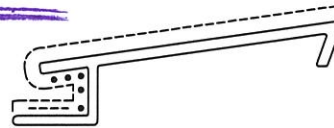
PANASIA ALUMINUM (CHINA) LIMITED

03

CUSTOMER	HONGKONG CO.	CUSTOMER APPROVAL	1509	CUST PART NO.	X85888
				SECTION NO.	LH0091518



美特鋁質有限公司
承認圖面
日期 16-7-20



V.F

SCALE 1:1

- 次要裝飾面，噴塗膜厚不足，但不露底
- 裝飾面
- 凹槽位置可能會有露底現象，即膜厚不足

备注：没有配合型号！

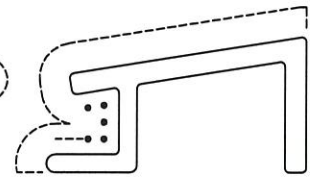
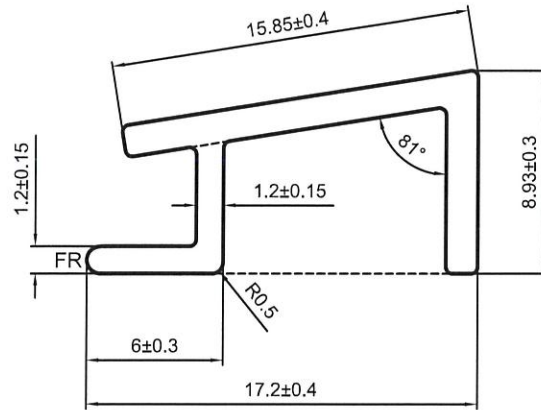
SIGNATURE GRADEING	HIGH SIGNATURE GRADEING	C.C.DIA(MM)	Ø 44.88				噴塗收費周長(mm):		74.96
AREA (SQ MM)	83.36	UNSPECIFIED THICKNESS	1.4±0.15	PERIMETER (MM)	124.94	STANDARD	BS EN755	SCALE	3:1
MASS (KG/M)	0.226	UNSPECIFIED CORNERS	R 0.3	SURFACE AREA	64.96	ALLOY	6063-T5	VERSION	A
COMPANY ISSUE		A	DRAWN	蔡曉婷	DATE	2020-07-12	APPELLATION	-	PAGE OF
			STANDARDIZATION		DATE				
			TO SIGN	王添明	DATE				
			AUDITING		DATE				
MARKER	MODIFY	FILE NO	SIGNATURE	DATE	APPROV				



PANASIA ALUMINUM (CHINA) LIMITED

4/4

CUSTOMER	HONGKONG CO.	CUSTOMER APPROVAL	4510	CUST PART NO.	X85889
				SECTION NO.	LH0091519



----- 次要装饰面，喷涂膜厚不足，但不露底
 ----- 装饰面
 ●●●●●● 凹槽位置可能会有露底现象，即膜厚不足

备注：没有配合型号！

SCALE 2:1

SIGNATURE GRADEING	HIGH SIGNATURE GRADEING	C.C.DIA(MM)	Ø 19.07		喷涂收费周长(mm):		40.94		
AREA (SQ MM)	44.90	UNSPECIFIED THICKNESS	1.4±0.15	PERIMETER (MM)	68.23	STANDARD	BS EN755	SCALE 3:1	
MASS (KG/M)	0.122	UNSPECIFIED CORNERS	R 0.3	SURFACE AREA	30.50	ALLOY	6063-T5	VERSION A	
COMPANY ISSUE		A	DRAWN	蔡晓婷	DATE	2020-07-12	APPELLATION	-	PAGE OF
			STANDARDIZATION		DATE				
			TO SIGN	王添明	DATE				
			AUDITING		DATE				
MARKER	MODIFY	FILE NO	SIGNATURE	DATE	APPROV	DATE			

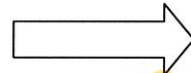
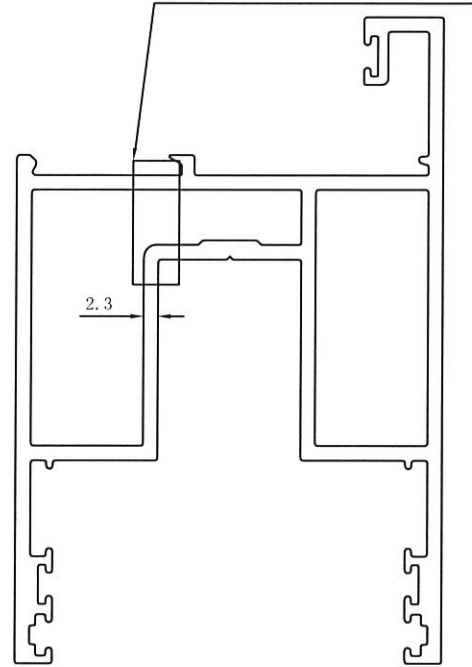


48

12 T 2(33)
14(1374)

2020/07/15

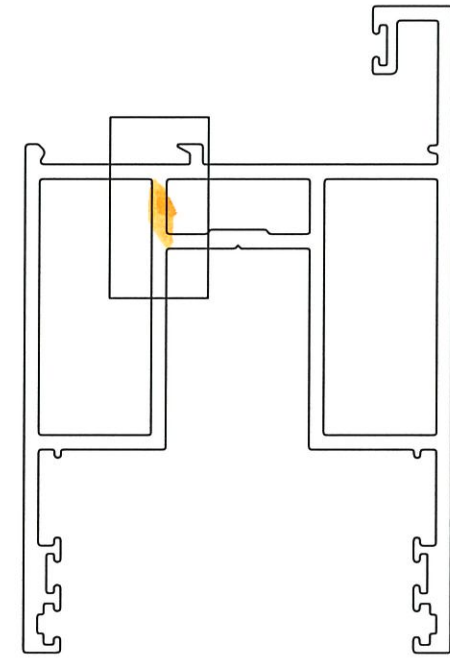
此处位置比较深，容易变形，
建议连接一条筋，如右图



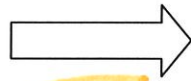
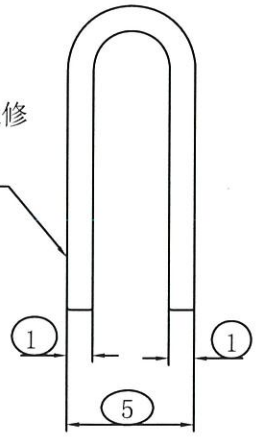
X85861

LH0091491

建议修改如右图所示



壁厚太薄，建议尺寸1.00mm修
改为1.30mm，如右图所示

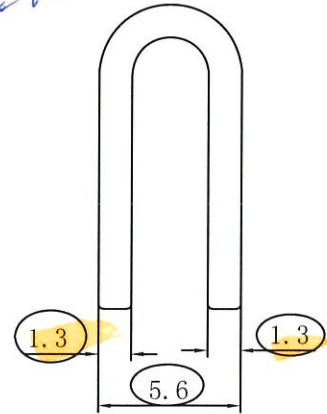


X85891

LH0091521

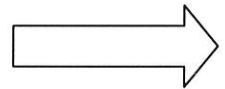
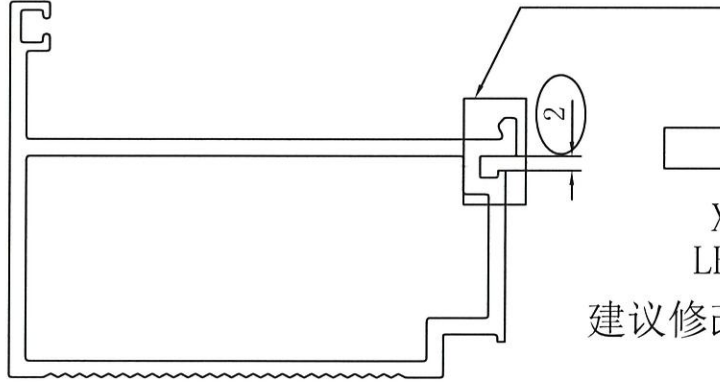
建议修改如右图所示

是厚水

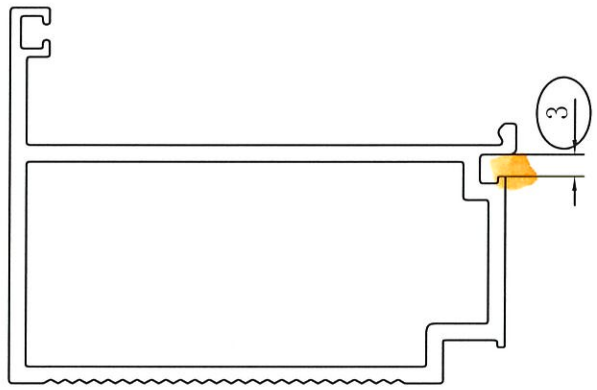


2020/07/15

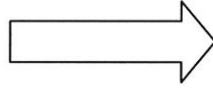
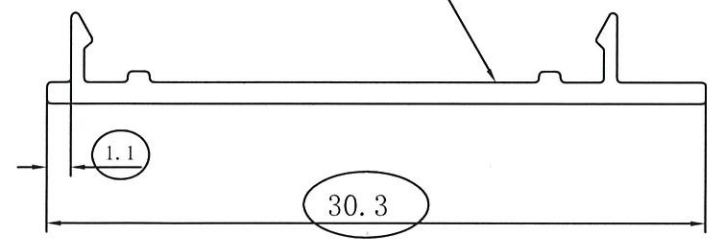
此处开口过窄，容易变形，建议修改



X85850
LH0091480
建议修改如右图所示



为了与X85850配合，建议修改



X85854
LH0091484
建议修改如右图所示

