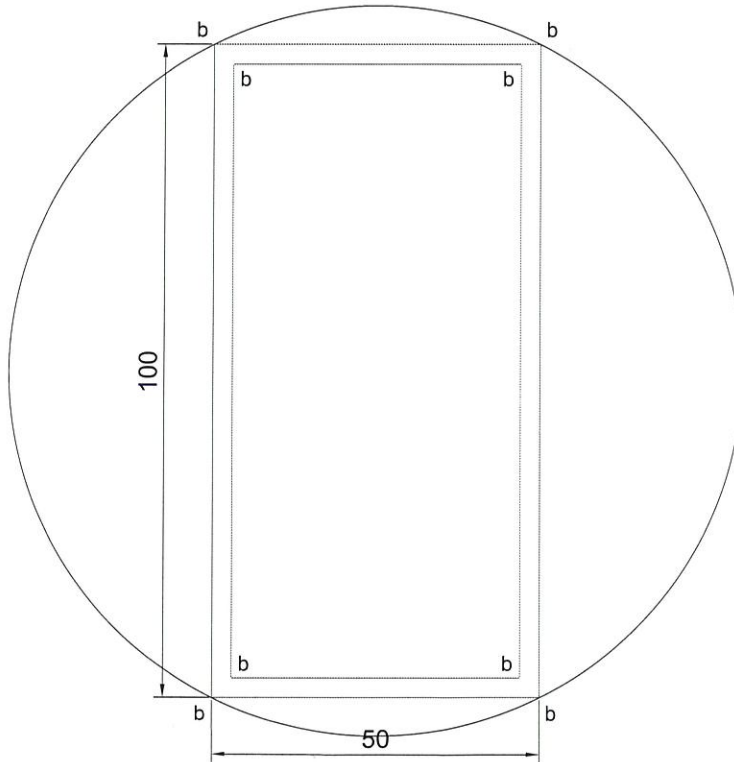


72 2069 MK 1330

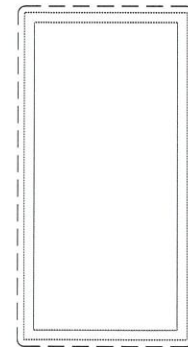
CUSTOMER	CUSTOMER APPROVAL	CUST PART NO.	AL-LVA01(0)
		SECTION NO.	Handwritten

$a=0.1r$
 $b=0.2r$
 $c=0.3r$
 $d=0.4r$
 $e=0.5r$
 $f=0.8r$



Handwritten notes in Chinese characters.


Handwritten text: 7E00E3005



V.F

SCALE 1:2

SIGNATURE GRADEING	HIGH SIGNATURE GRADEING	C.C.DIA(MM)	111.80						
AREA (SQ MM)	864.00	UNSPECIFIED THICKNESS	3.0	PERIMETER (MM)	299.66	STANDARD		SCALE	1:1
MASS (KG/M)	2.341	UNSPECIFIED CORNERS	-	SURFACE AREA	299.66	ALLOY	6063-T6	VERSION	
COMPANY ISSUE		DRAWN	LHR	DATE	2020-06-17	APELLATION		PAGE OF	
		STANDARDIZATION		DATE					
		TO SIGN		DATE					
		AUDITING		DATE					
MARKER	MODIFY	FILE NO	SIGNATURE	DATE	APPROV				


美特鋁質有限公司
 MIDI Aluminium Fabricator Ltd.

CUSTOMER	CUSTOMER APPROVAL	CUST PART NO.	AL-LVA02(0)
		SECTION NO.	2019/95

a=0.1r
b=0.2r
c=0.3r
d=0.4r
e=0.5r
f=0.8r

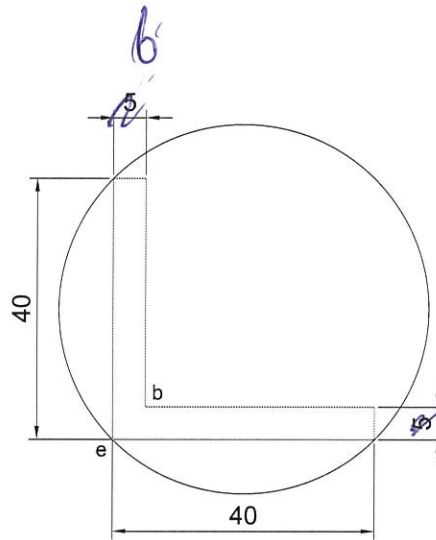
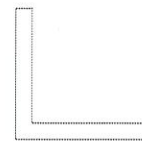
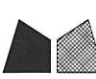


Photo 10017
鳴陽

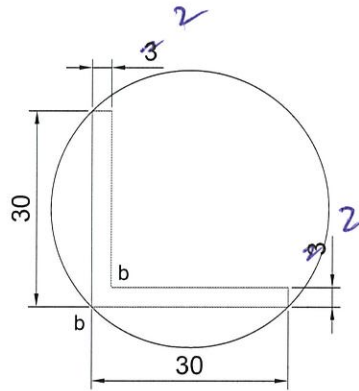


SCALE 1:2

SIGNATURE GRADEING	HIGH SIGNATURE GRADEING	C.C.DIA(MM)	56.57						
AREA (SQ MM)	374.95	UNSPECIFIED THICKNESS	-	PERIMETER (MM)	159.70	STANDARD		SCALE	1:1
MASS (KG/M)	1.016	UNSPECIFIED CORNERS	-	SURFACE AREA	-	ALLOY	6063-T6	VERSION	
COMPANY ISSUE			DRAWN	LHR	DATE	2020-06-17	APELLATION	PAGE OF	
			STANDARDIZATION		DATE		 美特鋁質有限公司 MIDI Aluminium Fabricator Ltd.		
			TO SIGN		DATE				
			AUDITING		DATE				
MARKER	MODIFY	FILE NO	SIGNATURE	DATE	APPROV	DATE			

CUSTOMER	CUSTOMER APPROVAL	CUST PART NO.	AL-LVA03(0)
		SECTION NO.	<i>x 85774</i>

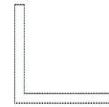
a=0.1r
b=0.2r
c=0.3r
d=0.4r
e=0.5r
f=0.8r



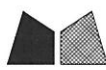
吳本陽

MH0001026

30 x 2
~~*20 x 20 x 3*~~



SCALE 1:2

SIGNATURE GRADEING	HIGH SIGNATURE GRADEING	C.C.DIA(MM)	42.43						
AREA (SQ MM)	171.00	UNSPECIFIED THICKNESS	-	PERIMETER (MM)	119.83	STANDARD		SCALE	1:1
MASS (KG/M)	0.463	UNSPECIFIED CORNERS	-	SURFACE AREA	-	ALLOY	6063-T5	VERSION	
COMPANY ISSUE			DRAWN	LHR	DATE	2020-06-17	APELLATION	PAGE OF	
			STANDARDIZATION		DATE		 美特鋁質有限公司 MIDI Aluminium Fabricator Ltd.		
			TO SIGN		DATE				
			AUDITING		DATE				
MARKER	MODIFY	FILE NO	SIGNATURE	DATE	APPROV	DATE			