



工程指示 / 要求簡箋(E.I.)

工程指示編號：EI / 1989 / 20

修改版次：-

工程編號：J - 852

工程名稱：亞皆老街中電

工程項目：佛沙窗 大圖 4 號圖

收件人：生統 / 王良

發件人：Ant Yeung

日期：17/06/2020

要求提供 / 確認 事項：

- | | | |
|------------------------------------|-------------------------------------|-------------------------------|
| <input type="checkbox"/> 初步鋁料 B.M. | <input type="checkbox"/> 加工拆圖，然後生產 | <input type="checkbox"/> 尺寸表 |
| <input type="checkbox"/> 正式鋁料 B.M. | <input type="checkbox"/> 技術上資料 / 指示 | <input type="checkbox"/> 報價 |
| <input type="checkbox"/> 配件 B.M. | <input type="checkbox"/> 樣辦或貨品說明書 | <input type="checkbox"/> 分判合約 |
| <input type="checkbox"/> 其他：_____ | | |

內容：

請查收圖紙作生產安排，謝謝

王良：可參照大樣圖作保護方案。謝謝

佛沙窗大圖 MC 39085

請在 2020.06.19 前完成上列要求。

附：pdf 一個

以上項目為：

- 原合約工程包 原合約工程加 / 減賬 新工程報價

原因：-

分發東莞各部門：

- | | | | |
|--|---|---|---|
| <input type="checkbox"/> 生產技術總監 <input type="checkbox"/> 連附件 | <input checked="" type="checkbox"/> 技術部 <input checked="" type="checkbox"/> 連附件 | <input type="checkbox"/> 生產部 <input type="checkbox"/> 連附件 | <input type="checkbox"/> 機械設計部 <input type="checkbox"/> 連附件 |
| <input type="checkbox"/> 採購部 <input type="checkbox"/> 連附件 | <input checked="" type="checkbox"/> 生產統籌部 <input type="checkbox"/> 連附件 | | |
| <input type="checkbox"/> 質檢部 <input type="checkbox"/> 連附件 | <input type="checkbox"/> 會計部 <input type="checkbox"/> 連附件 | <input type="checkbox"/> 報關組 <input type="checkbox"/> 連附件 | <input type="checkbox"/> 其他 <u>楊榮輝</u> <input type="checkbox"/> 連附件 |

分發其他分判：


- 水洪 連附件

分發香港各部門：

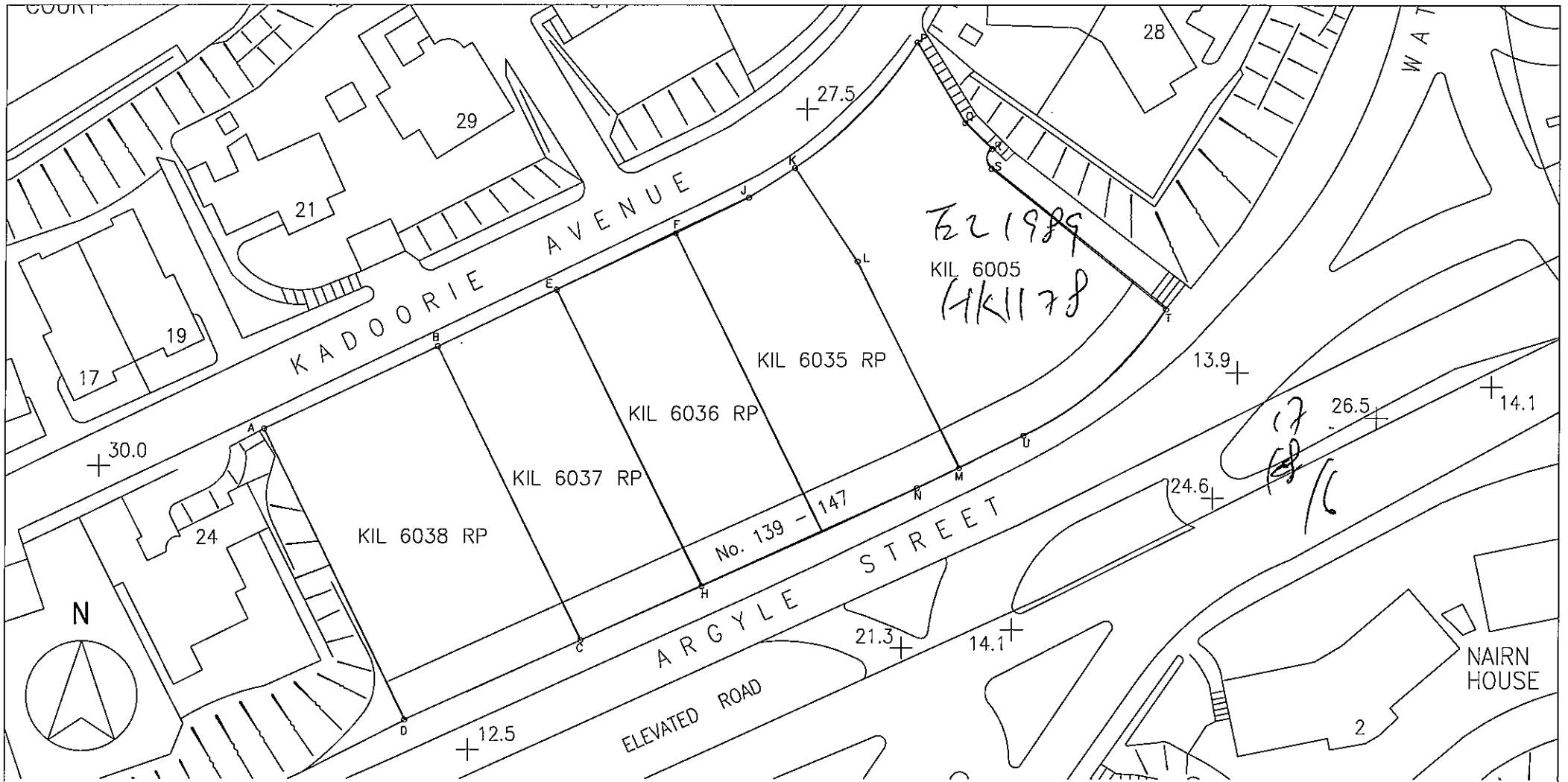
- | | | | |
|---|--|---|--|
| <input type="checkbox"/> 行政部 <input type="checkbox"/> 連附件 | <input type="checkbox"/> 會計部 <input type="checkbox"/> 連附件 | <input type="checkbox"/> 統籌部 <input type="checkbox"/> 連附件 | <input type="checkbox"/> 工程部地盤科文 <input type="checkbox"/> 連附件 |
| <input type="checkbox"/> 採購部 <input type="checkbox"/> 連附件 | <input type="checkbox"/> QS 部 <input type="checkbox"/> 連附件 | <input type="checkbox"/> 維修部 <input type="checkbox"/> 連附件 | <input type="checkbox"/> 其他 _____ <input type="checkbox"/> 連附件 |

傳遞編號：

HK 1178 / 20

發件人簽署：

項目經理簽署：

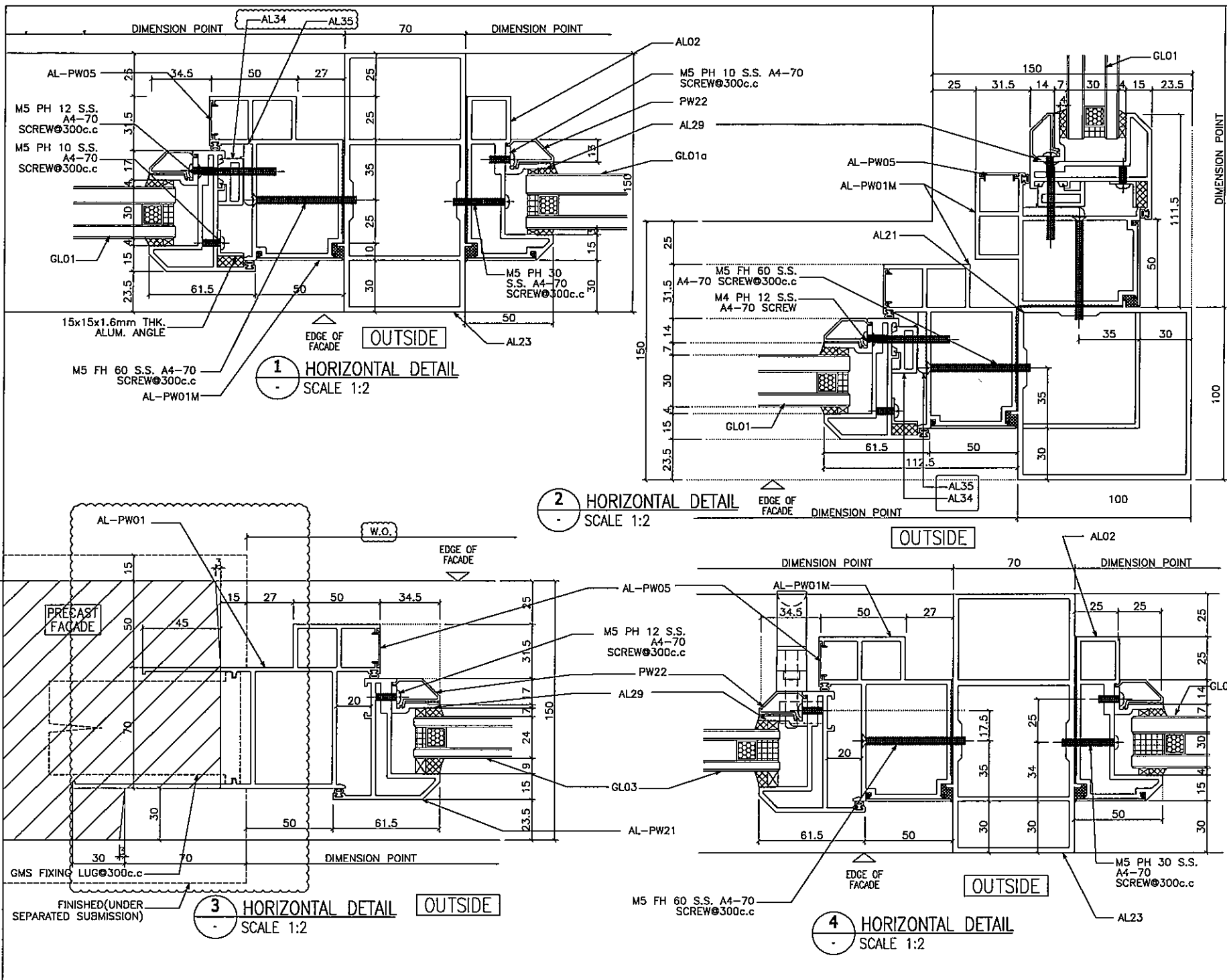


**PROJECT : PROPOSED RESIDENTIAL DEVELOPMENT AT 139 - 147 ARGYLE STREET,
NKIL 6005, 6035 R.P., 6036 R.P., 6037 R.P. & 6038 R.P.**

4

**TITLE : ALUMINUM WINDOWS AT PERCAST FACADE
SHOPDRAWING SUBMISSION**

DATE: 19 - May - 2020



B.D. REF : _____

CLIENT : _____

ARCHITECT : **ACC**

MAIN CONTRACTOR : **Gammon**

STRUCTURAL ENGINEER : **ARUP**

FAÇADE CONSULTANT : **MEINHARDT**

NOTE:

1. ALL DIMENSIONS ARE IN mm.
2. ALL ELEVATIONS ARE VIEWED FROM OUTSIDE.
3. ALL DIMENSIONS TO BE VERIFIED ON SITE BEFORE FABRICATION.

LEGEND:

① DETAIL MARK NO.
 (XX) REFER SHEET NO.

1. F.F.L. --- FINISHED FLOOR LEVEL
2. S.F.L. --- STRUCTURAL FLOOR LEVEL
3. (⊖) --- REVERSED DETAIL
4. (▲) --- FIXING LOCATION
5. (△) --- FIXING LUG LOCATION
6. GLASS LEGEND

GL01 --- 8mm+12mm AR GAP+12mm THK. LG.U.
 GL01a --- 8mm+12mm AR GAP+12mm THK. LG.U.
 GL02 --- 10mm THK. TEMPERED GLASS (SPANDREL GLASS)
 GL03 --- 6mm+12mm AR GAP+6mm THK. LG.U.
 GL04 --- 10mm THK. TEMPERED GLASS (PROTECTIVE BARRIER)
 GL05 --- 6mm+12mm AR GAP+8mm THK. LG.U.

NO.	DATE	REVISION SUBJECT TO APPROVAL/REVISION	BY
C	08/05/2020	REVISION SUBJECT TO APPROVAL/REVISION	SH
B	03/03/2020	REVISION SUBJECT TO APPROVAL/REVISION	SH
A	24/02/2020	REVISION SUBJECT TO APPROVAL/REVISION	SH
REV.	DATE	REVISION	BY

JOB NO. : J-852

PROJECT : PROPOSED RESIDENTIAL DEVELOPMENT AT 139 - 147 ARGYLE STREET, NKIL 6005, 6035 R.P., 6036 R.P., 6037 R.P. & 6038 R.P.

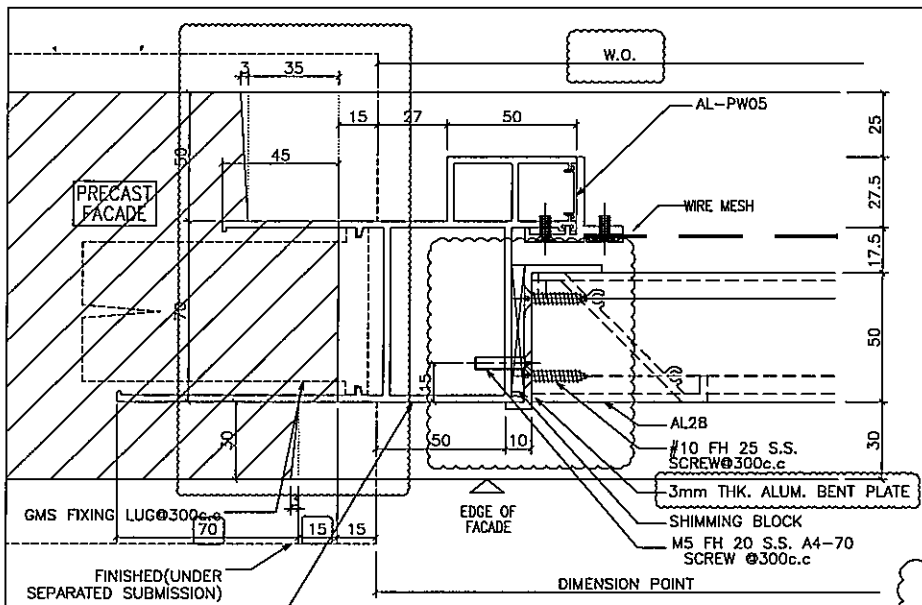
TITLE : DETAIL FOR ALUM. WINDOW

DATE : 05-Dec-19 SCALE : 1:2

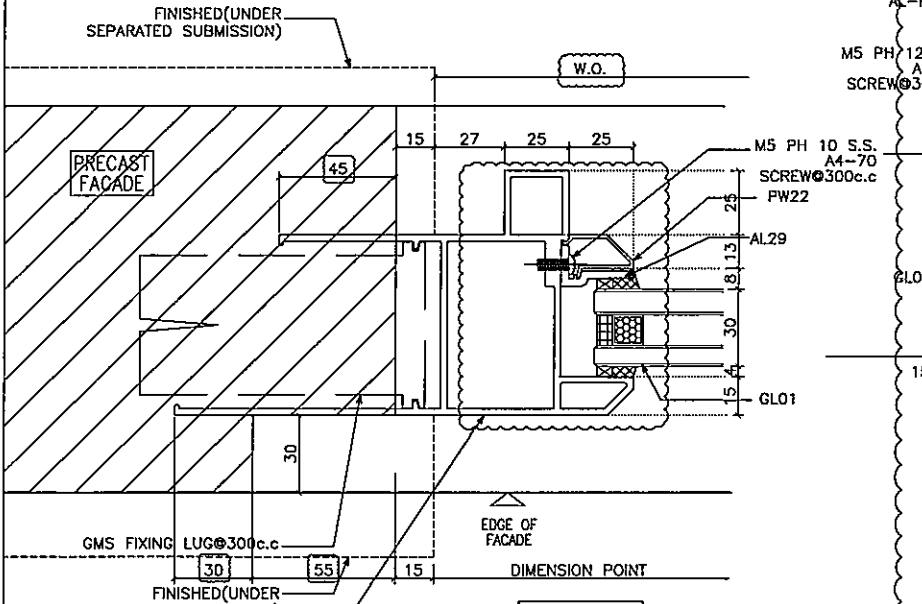
DRAWN BY : MN CHECKED BY : DW

英特铝业有限公司
 MIDAL ALUMINIUM FABRICATOR LTD.
 Units 6-8, Sunny Industrial Centre, 1/F
 610 Che Kwo Ling Road, Kowloon
 Tel: 23489211-4 Fax: (852) 27727556

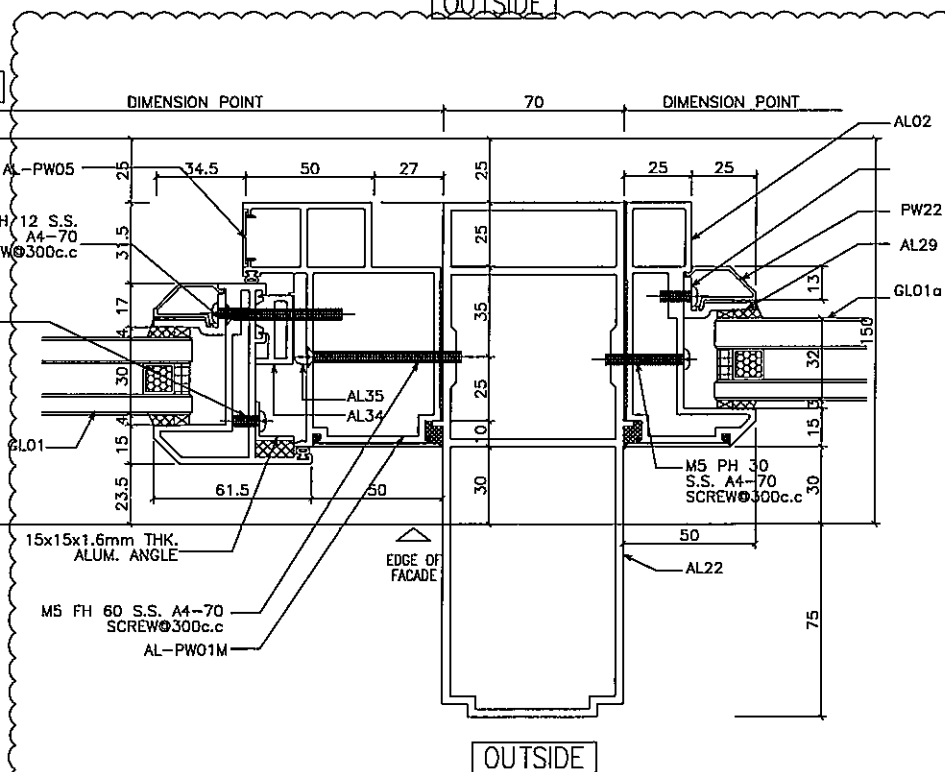
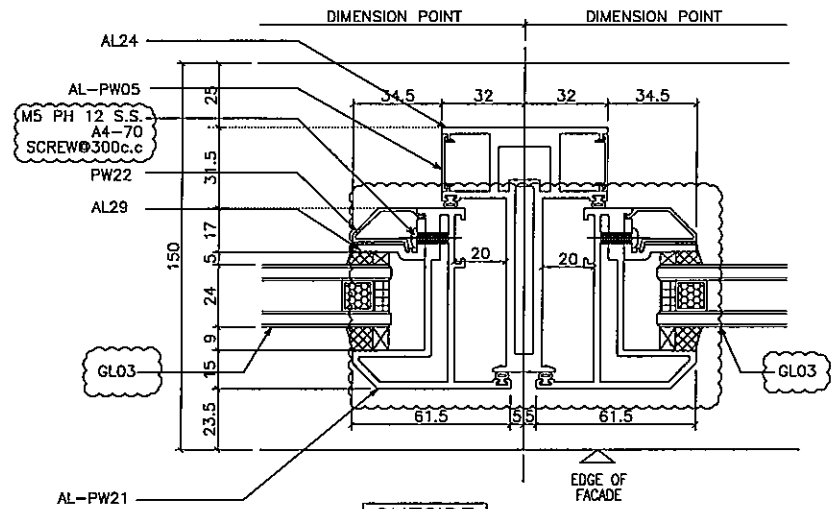
DWG NO. : JB52-SD-PW-5002 REV. : C



1 HORIZONTAL DETAIL
SCALE 1:2
OUTSIDE



3 HORIZONTAL DETAIL
SCALE 1:2
OUTSIDE



4 HORIZONTAL DETAIL
SCALE 1:2
OUTSIDE

B.D. REF :
.....

CLIENT :
.....

ARCHITECT :
ABC

MAIN CONTRACTOR :
Gammon

STRUCTURAL ENGINEER :
ARUP

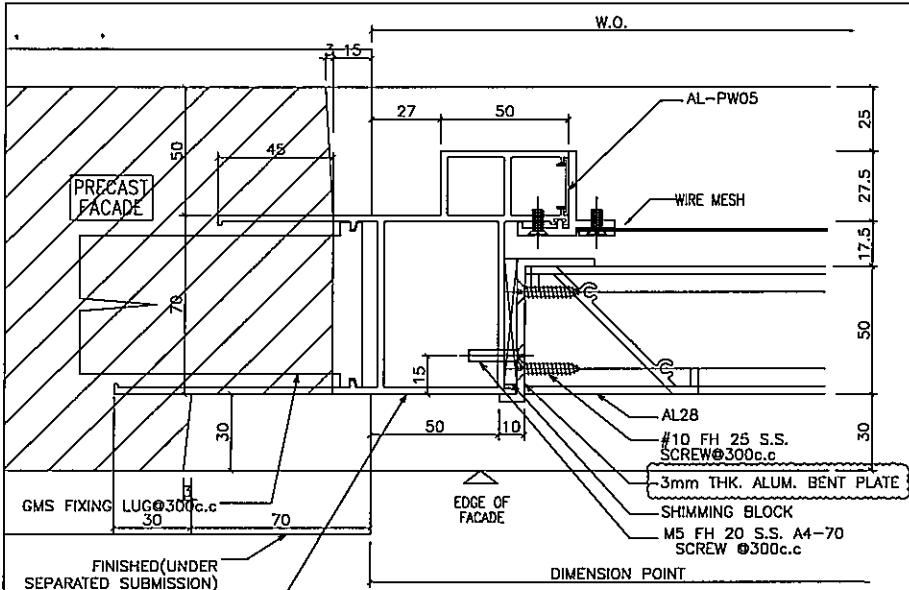
FACADE CONSULTANT :
MEINHARDT

NOTE :
1. ALL DIMENSIONS ARE IN mm.
2. ALL ELEVATIONS ARE VIEWED FROM OUTSIDE.
3. ALL DIMENSIONS TO BE VERIFIED ON SITE BEFORE FABRICATION.

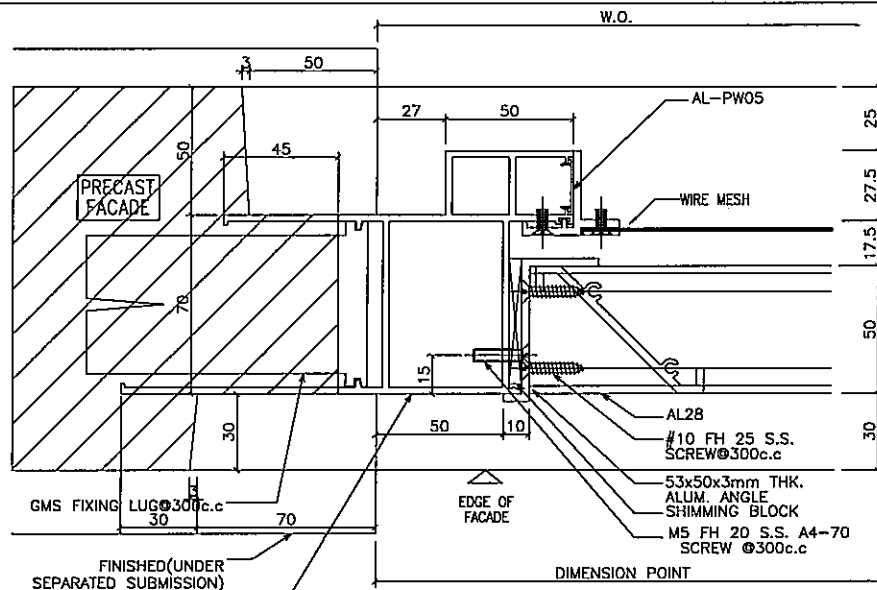
LEGEND :
① DETAIL MARK NO.
② REFER SHEET NO.
1. F.F.L. -- FINISHED FLOOR LEVEL
2. S.F.L. -- STRUCTURAL FLOOR LEVEL
3. Ⓢ -- REVERSED DETAIL
4. ▲ -- FIXING LOCATION
5. △ -- FIXING LUG LOCATION
6. GLASS LEGEND
GL01 -- 6mm+12mm AIR GAP+10mm THK. L.G.L.
GL01a -- 8mm+12mm AIR GAP+12mm THK. L.G.L.
GL02 -- 10mm THK. TEMPERED GLASS (SPANDREL GLASS)
GL03 -- 6mm+12mm AIR GAP+6mm THK. L.G.L.
GL04 -- 10mm THK. TEMPERED GLASS (PROTECTIVE BARRIER)
GL05 -- 6mm+12mm AIR GAP+8mm THK. L.G.L.

NO.	DATE	REVISION	BY
B	03/10/2020	REVISION SUBJECT TO APPROVAL/AMT	SH
A	24/02/2020	REVISION SUBJECT TO APPROVAL/AMT	SH

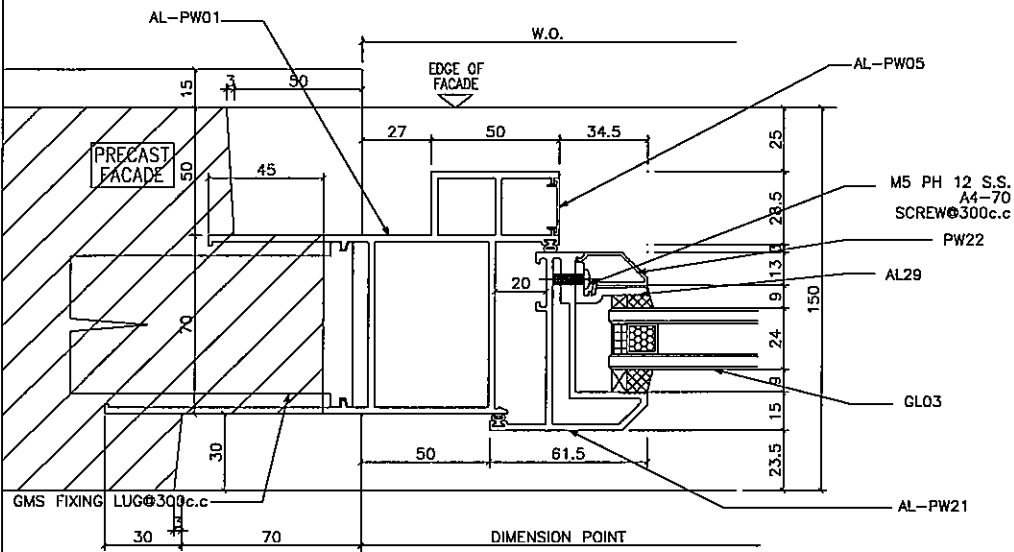
JOB NO. : J-852
PROJECT : PROPOSED RESIDENTIAL DEVELOPMENT AT 139 - 147 ARGYLE STREET, NKIL 6005, 6035 R.P., 6036 R.P., 6037 R.P. & 6038 R.P.
TITLE : DETAIL FOR ALUM. WINDOW
DATE : 05-Dec-19 SCALE : 1:2
DRAWN BY : MN CHECKED BY : DW
美特铝业有限公司
M.T. ALUMINIUM FABRICATOR LTD.
Units 6-8, Sunny Industrial Centre, 1/7
610 Che Kwa Ling Road, Kowloon
Tel:23489211-4 Fax:(852)2727666
DWG NO. : JB52-SD-PW-5003 REV. : 8



1 HORIZONTAL DETAIL OUTSIDE
SCALE 1:2



2 HORIZONTAL DETAIL OUTSIDE
SCALE 1:2



3 HORIZONTAL DETAIL OUTSIDE
SCALE 1:2

B.D. REF :

CLIENT :

ARCHITECT :
ASC

MAIN CONTRACTOR :
Gammon

STRUCTURAL ENGINEER :
ARUP

FACADE CONSULTANT :
MENHARDT

NOTE:
1. ALL DIMENSIONS ARE IN mm.
2. ALL ELEVATIONS ARE VIEWED FROM OUTSIDE.
3. ALL DIMENSIONS TO BE VERIFIED ON SITE BEFORE FABRICATION.

LEGEND:
 (X1) DETAIL MARK NO.
 (X2) REFER SHEET NO.
 1. F.F.L. — FINISHED FLOOR LEVEL
 2. S.F.L. — STRUCTURAL FLOOR LEVEL
 3. (⊖) — REVERSED DETAIL
 4. — FRINGE LOCATION
 5. ▲ — FRINGE LUG LOCATION
 6. GLASS LEGEND
 GL01 — 8mm+12mm AIR GAP+10mm THK. I.G.U.
 GL01a — 8mm+12mm AIR GAP+12mm THK. I.G.U.
 GL02 — 10mm THK. TEMPERED GLASS (SPANDREL GLASS)
 GL03 — 6mm+12mm AIR GAP+6mm THK. I.G.U.
 GL04 — 10mm THK. TEMPERED GLASS (PROTECTIVE BARRIER)
 GL05 — 6mm+12mm AIR GAP+8mm THK. I.G.U.

NO.	DATE	REVISION	BY

JOB NO. : J-852
 PROJECT :
 PROPOSED RESIDENTIAL DEVELOPMENT
 AT 139 - 147 ARGYLE STREET,
 NKIL 6005, 6035 R.P., 6036 R.P.,
 6037 R.P. & 6038 R.P.

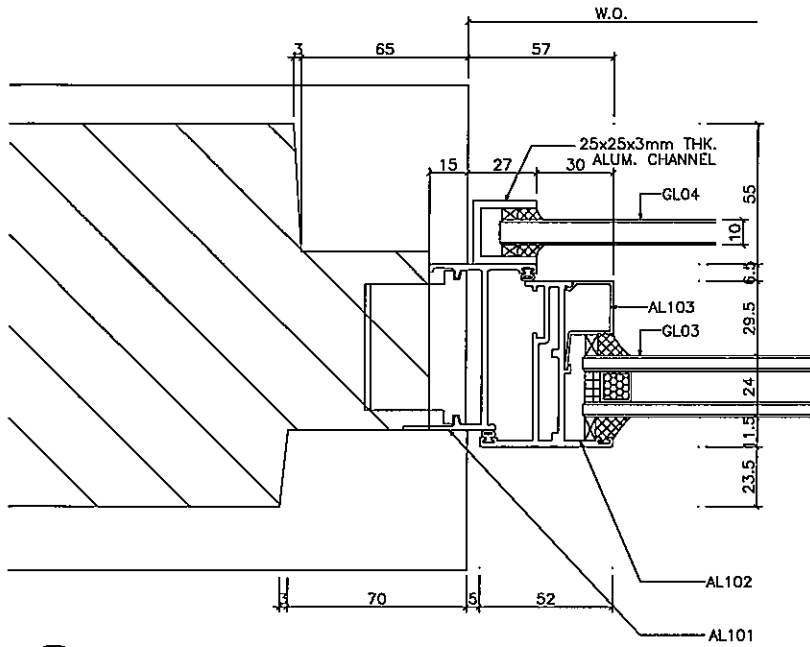
TITLE :
 DETAIL FOR
 ALUM. WINDOW

DATE : 05-Dec-19 SCALE : 1:2

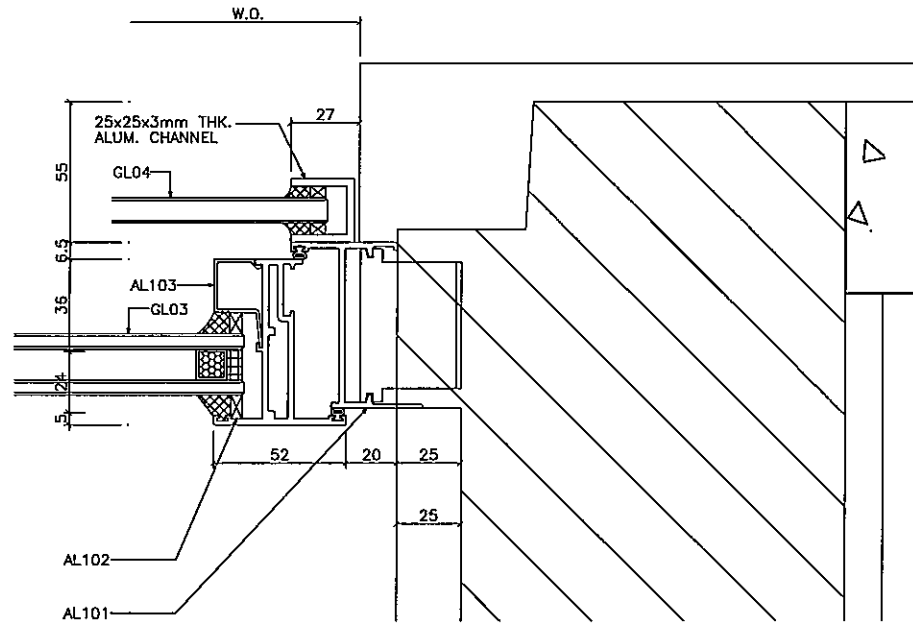
DRAWN BY : MN CHECKED BY : DW

美特铝业有限公司
 MIDT ALUMINIUM FABRICATORS LTD.
 Units 6-8, Sunray Industrial Centre, 1/F
 610 Che Kwo Ling Road, Kowloon
 Tel: 23489211-4 Fax: (852) 2727666

DWG NO. : J852-SD-PW-5006 REV. : --



1 HORIZONTAL DETAIL OUTSIDE
SCALE 1:2



2 HORIZONTAL DETAIL OUTSIDE
SCALE 1:2

B.D. REF :

CLIENT :

ARCHITECT :
AGC

MAIN CONTRACTOR :
Gammon

STRUCTURAL ENGINEER :
ARUP

FACADE CONSULTANT:
MEINHARDT

NOTE:
1. ALL DIMENSIONS ARE IN mm.
2. ALL ELEVATIONS ARE VIEWED FROM OUTSIDE.
3. ALL DIMENSIONS TO BE VERIFIED ON SITE BEFORE FABRICATION.

LEGEND:

- (X) DETAIL MARK NO.
- (REF) REFER SHEET NO.
- 1. F.F.L. — FINISHED FLOOR LEVEL
- 2. S.F.L. — STRUCTURAL FLOOR LEVEL
- 3. (R) — REVERSED DETAIL
- (L) — FIXING LOCATION
- (LUG) — FIXING LUG LOCATION

GLASS LEDGHD

- GL01 — 8mm+12mm AIR CAP+10mm THK. L.G.U.
- GL01a — 8mm+12mm AIR CAP+12mm THK. L.G.U.
- GL02 — 10mm THK. TEMPERED GLASS (SPANDREL GLASS)
- GL03 — 6mm+12mm AIR CAP+6mm THK. L.G.U.
- GL04 — 10mm THK. TEMPERED GLASS (PROTECTIVE IMPER)
- GL05 — 6mm+12mm AIR CAP+8mm THK. L.G.U.

NO.	DATE	REVISION	BY

JOB NO. : J-852

PROJECT :
PROPOSED RESIDENTIAL DEVELOPMENT
AT 139 - 147 ARGYLE STREET,
NKIL 6025, 6035 R.P., 6036 R.P.,
6037 R.P. & 6038 R.P.

TITLE :
DETAIL FOR
ALUM. WINDOW

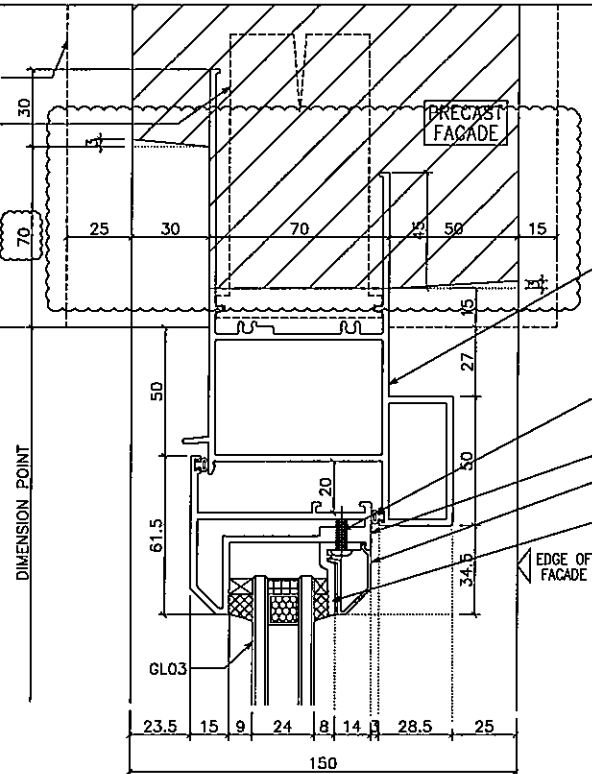
DATE : 05-Dec-19 SCALE : 1:2

DRAWN BY : MN CHECKED BY : CW

美特鋁質有限公司
MIDI ALUMINIUM FABRICATOR LTD.
Units 6-8, Sunway Industrial Centre, 1/F
510 Cho Yee Ling Road, Kowloon
Tel: 23489211-4 Fax: (852) 27727666

DWG NO. : JB52-SD-PW-5007 REV. : -

FINISHED(UNDER SEPARATED SUBMISSION)
GMS FIXING LUG@300c.c

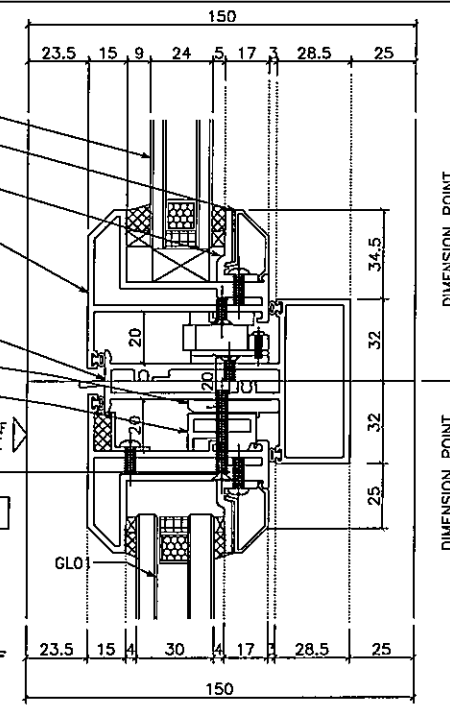


1 VERTICAL DETAIL
SCALE 1:2

GL03
PW22
AL29
AL-PW21
AL-PW02
AL26
AL35
AL34

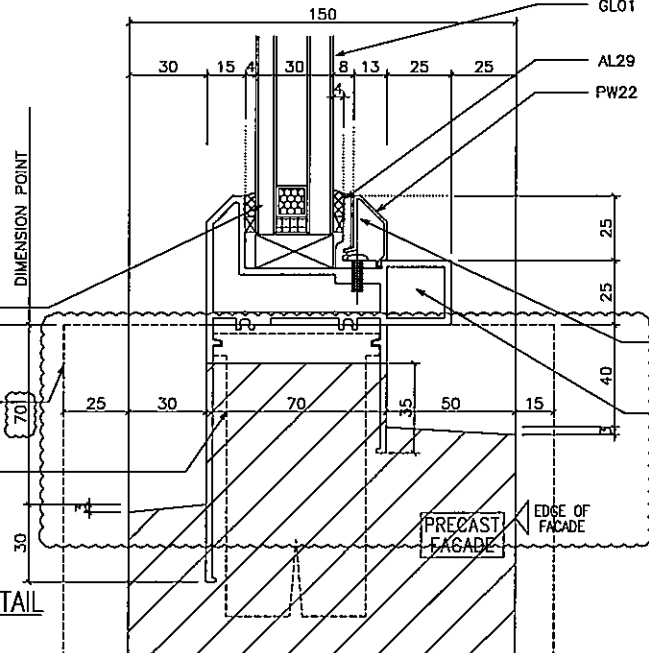
M5 PH 12 S.S.
A4-70
SCREW@300c.c

OUTSIDE



2 VERTICAL DETAIL
SCALE 1:2

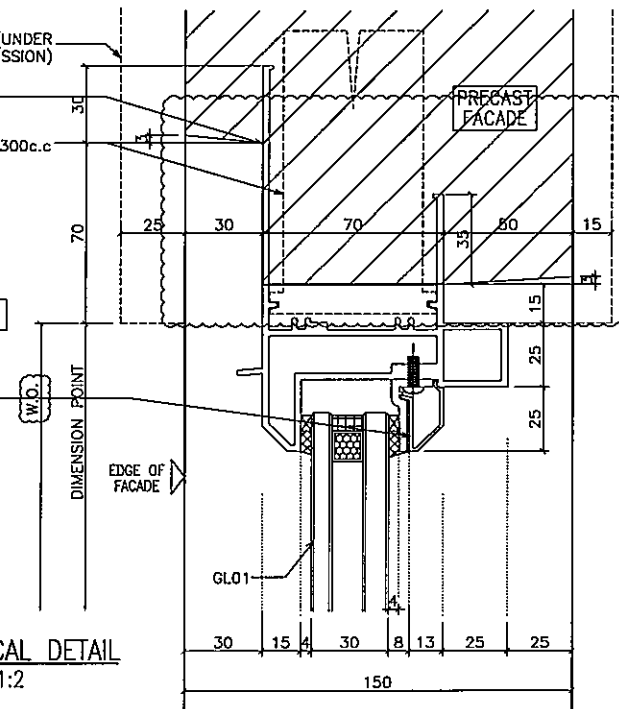
OUTSIDE



3 VERTICAL DETAIL
SCALE 1:2

FINISHED(UNDER SEPARATED SUBMISSION)
AL-PW12
GMS FIXING LUG@300c.c
M5 PH 12 S.S.
A4-70
SCREW@300c.c
AL23

OUTSIDE



4 VERTICAL DETAIL
SCALE 1:2

B.D. REF :
CLIENT :
ARCHITECT :
MAIN CONTRACTOR :
STRUCTURAL ENGINEER :
FACADE CONSULTANT :

Gammon
ARUP
MEINHARDT

NOTE:
1. ALL DIMENSIONS ARE IN mm.
2. ALL ELEVATIONS ARE VIEWED FROM OUTSIDE.
3. ALL DIMENSIONS TO BE VERIFIED ON SITE BEFORE FABRICATION.

LEGEND:
X1 - DETAIL MARK NO.
X2001 - REFER SHEET NO.
1. F.F.L -- FINISHED FLOOR LEVEL
2. S.F.L -- STRUCTURAL FLOOR LEVEL
3. (circle with dot) -- REVERSED DETAIL
4. (triangle) -- FIXING LOCATION
5. (delta) -- FIXING LUG LOCATION
6. GLASS LEGEND
GL01 -- 6mm+12mm AIR GAP+10mm THK. LG.U.
GL01a -- 6mm+12mm AIR GAP+12mm THK. LG.U.
GL02 -- 10mm THK. TEMPERED GLASS (SPANDREL GLASS)
GL03 -- 6mm+12mm AIR GAP+6mm THK. LG.U.
GL04 -- 10mm THK. TEMPERED GLASS (PROTECTIVE BARRIER)
GL05 -- 6mm+12mm AIR GAP+8mm THK. LG.U.

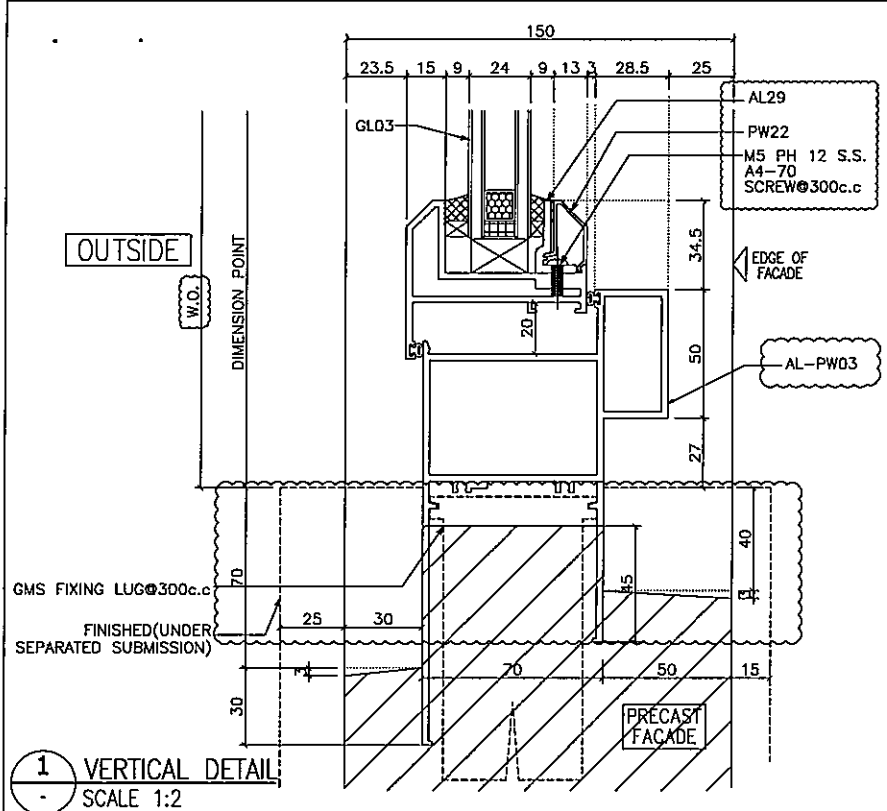
C	03/03/2020	REVISION SUBJECT TO APPROVALMENT	SH
B	05/03/2020	REVISION SUBJECT TO APPROVALMENT	SH
A	24/02/2020	REVISION SUBJECT TO APPROVALMENT	SH
REV	DATE	REVISION	BY

JOB NO. : J--852
PROJECT : PROPOSED RESIDENTIAL DEVELOPMENT AT 139 - 147 ARGYLE STREET, NKIL 6005, 6035 R.P., 6036 R.P., 6037 R.P. & 6038 R.P.

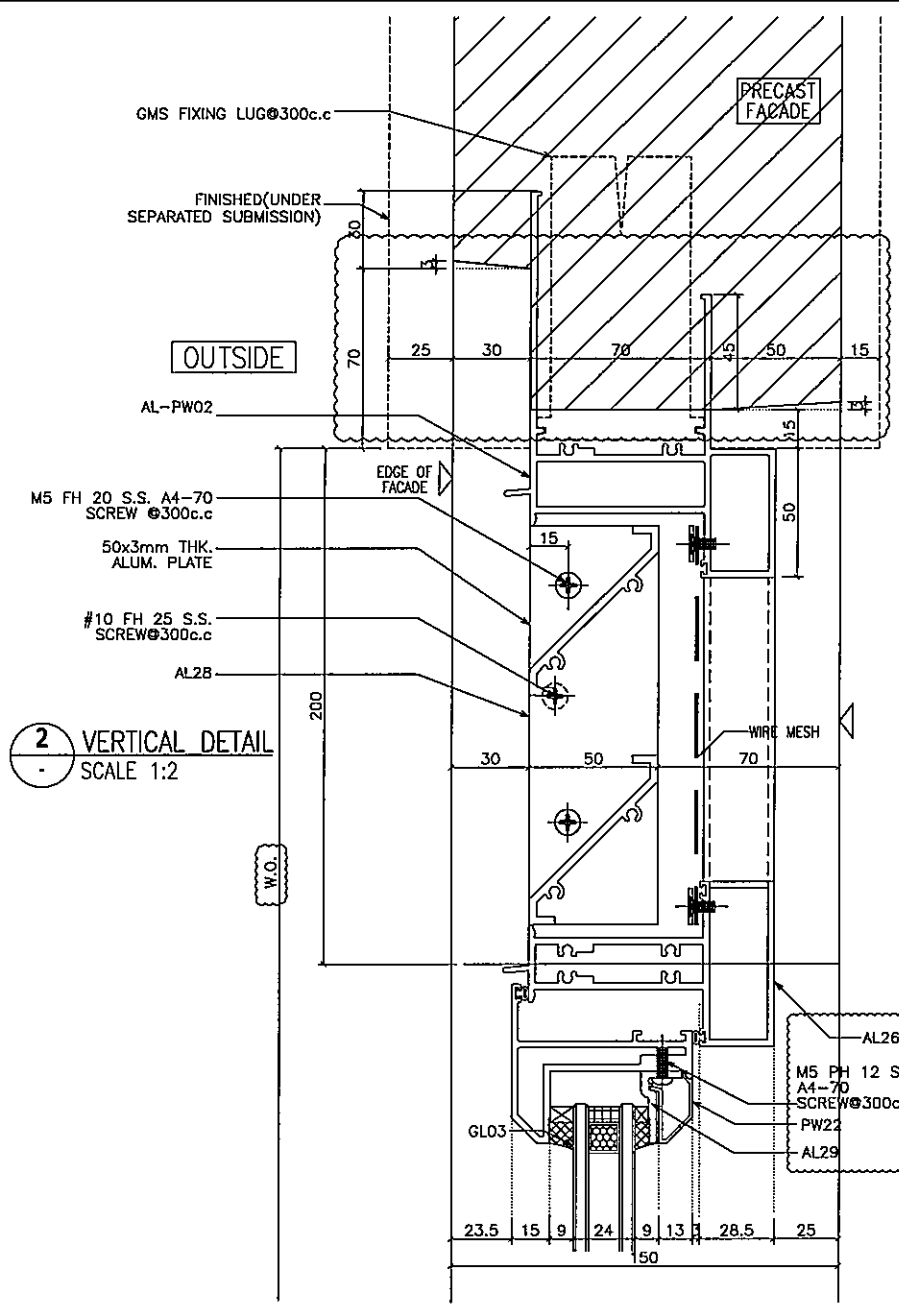
TITLE : DETAIL FOR ALUM. WINDOW

DATE : 05-Dec-19 SCALE : 1:2
DRAWN BY : MN CHECKED BY : DW

美特铝质有限公司
M.T.D. ALUMINIUM FABRICATOR LTD.
Units 5-B, Sunny Industrial Centre, 1/F
810 Che Kwo Ling Road, Kowloon
Tel:23489211-4 Fax:(852)2727666
DWG NO. : JB52-SD-PW-6001 REV. : C



1 VERTICAL DETAIL
SCALE 1:2



2 VERTICAL DETAIL
SCALE 1:2

3 VERTICAL DETAIL
SCALE 1:2

B.D. REF :

CLIENT :

ARCHITECT : **AGC**

MAIN CONTRACTOR : **Gammon**

STRUCTURAL ENGINEER : **ARUP**

FACADE CONSULTANT : **MEINHARDT**

NOTE:
 1. ALL DIMENSIONS ARE IN mm.
 2. ALL ELEVATIONS ARE VIEWED FROM OUTSIDE.
 3. ALL DIMENSIONS TO BE VERIFIED ON SITE BEFORE FABRICATION.

LEGEND:
 (X) DETAIL MARK NO.
 (REF) REFER SHEET NO.

1. F.F.L -- FINISHED FLOOR LEVEL
 2. S.F.L -- STRUCTURAL FLOOR LEVEL
 3. (R) -- REVERSED DETAIL
 4. (L) -- FIXING LOCATION
 5. (Δ) -- FIXING LUG LOCATION
 6. GLASS LEGEND
 GL01 -- 8mm+12mm AIR GAP+10mm THK. L.G.U.
 GL01a -- 8mm+12mm AIR GAP+12mm THK. L.G.U.
 GL02 -- 10mm THK. TEMPERED GLASS (SPANDREL GLASS)
 GL03 -- 6mm+12mm AIR GAP+6mm THK. L.G.U.
 GL04 -- 10mm THK. TEMPERED GLASS (PROTECTIVE BARRIER)
 GL05 -- 6mm+12mm AIR GAP+8mm THK. L.G.U.

C	06/05/2020	REVISION SUBJECT TO APPROVAL/MDT	MDT
B	03/03/2020	REVISION SUBJECT TO APPROVAL/MDT	SH
A	24/02/2020	REVISION SUBJECT TO APPROVAL/MDT	SH
NO.	DATE	REVISION	BY

JOB NO. : J-852

PROJECT :
 PROPOSED RESIDENTIAL DEVELOPMENT
 AT 139 - 147 ARGYLE STREET,
 NKIL 6005, 6035 R.P., 6036 R.P.,
 6037 R.P. & 6038 R.P.

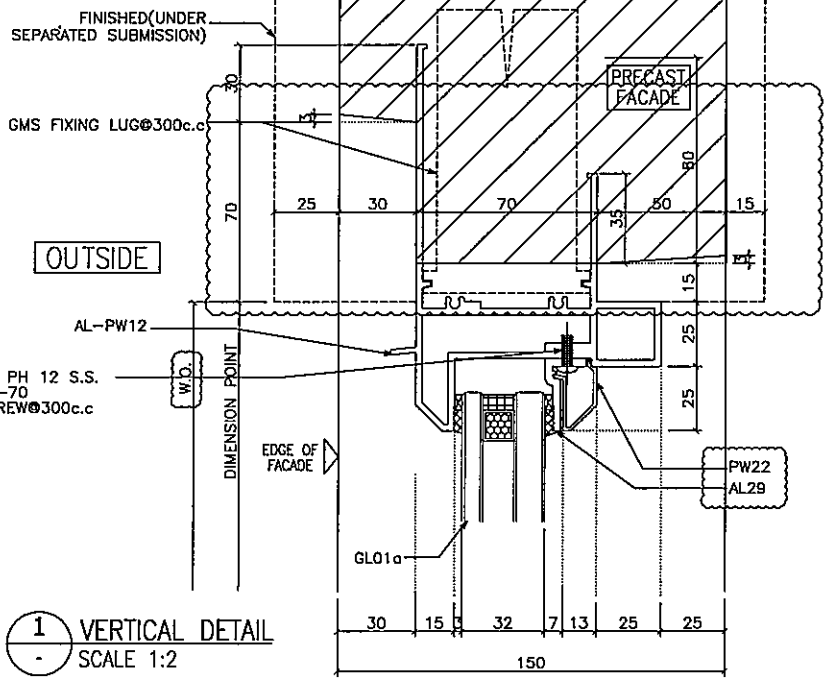
TITLE :
 DETAIL FOR
 ALUM. WINDOW

DATE : 05-Dec-19 SCALE : 1:2

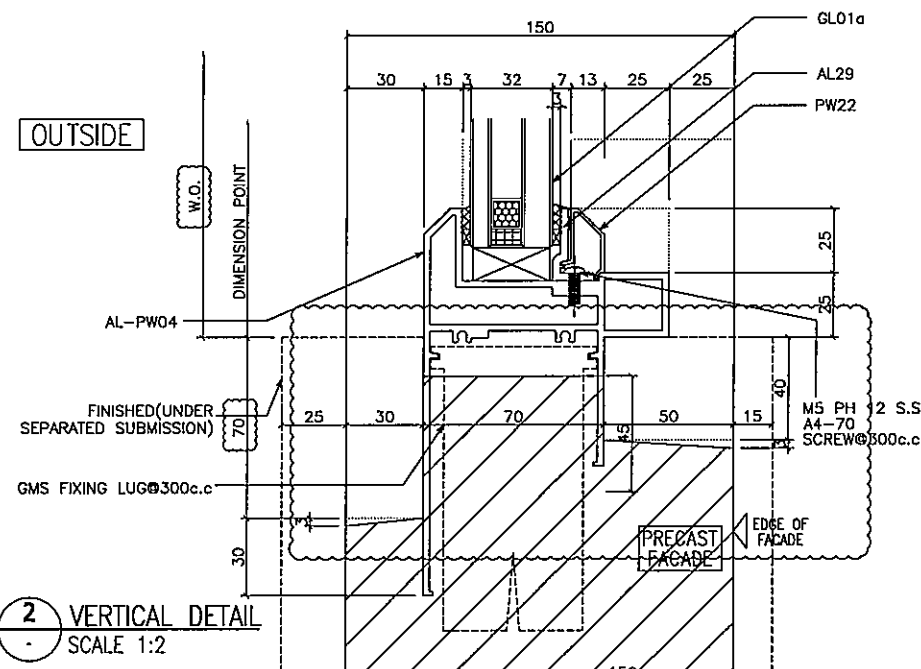
DRAWN BY : MN CHECKED BY : DW

美特铝业有限公司
MIDI ALUMINIUM FABRICATOR LTD.
 Units 5-8, Sunny Industrial Centre, 1/F
 810 Che Kwo Ling Road, Kowloon
 Tel:23489211-4 Fax:(852)2727556

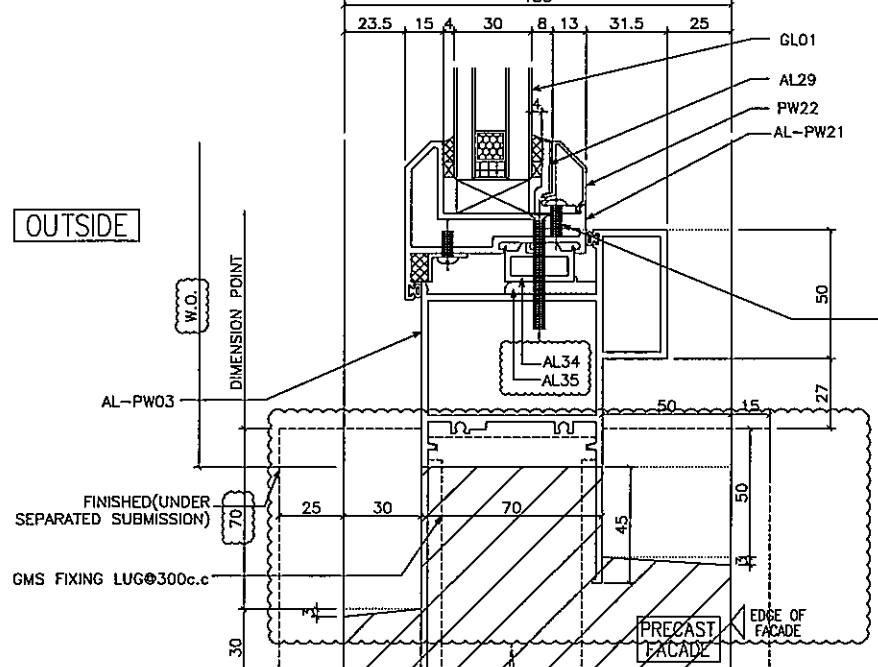
DWG NO. : JB52-SD-PW-6002 REV. : C



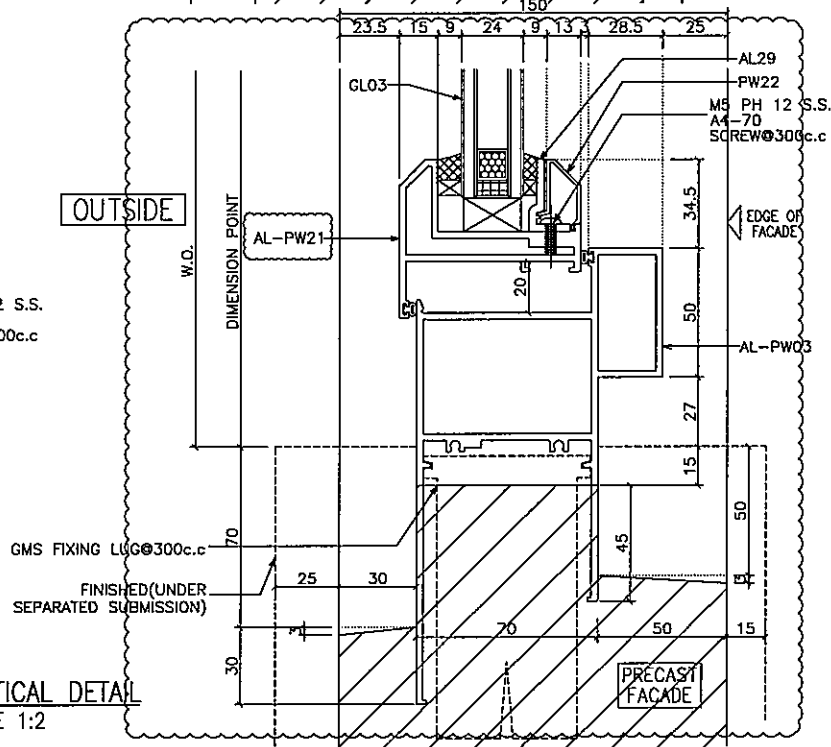
1 VERTICAL DETAIL
SCALE 1:2



2 VERTICAL DETAIL
SCALE 1:2



3 VERTICAL DETAIL
SCALE 1:2



4 VERTICAL DETAIL
SCALE 1:2

B.D. REF :
.....

CLIENT :
.....

ARCHITECT :
ASC

MAIN CONTRACTOR :
Gammon

STRUCTURAL ENGINEER :
ARUP

FACADE CONSULTANT:
MEINHARDT

- NOTE:
1. ALL DIMENSIONS ARE IN mm.
 2. ALL ELEVATIONS ARE VIEWED FROM OUTSIDE.
 3. ALL DIMENSIONS TO BE VERIFIED ON SITE BEFORE FABRICATION.
- LEGEND:
- ① DETAIL MARK NO.
② REFER SHEET NO.
1. F.F.L. — FINISHED FLOOR LEVEL
 2. S.F.L. — STRUCTURAL FLOOR LEVEL
 - ③ — REVERSED DETAIL
 4. ▲ — FINDING LOCATION
 5. △ — FINDING LUG LOCATION
 6. GLASS LEGEND:
GL01 — 8mm+12mm AIR GAP+10mm THK. L.G.U.
GL01a — 8mm+12mm AIR GAP+12mm THK. L.G.U.
GL02 — 10mm THK. TEMPERED GLASS (SPANDREL GLASS)
GL03 — 6mm+12mm AIR GAP+6mm THK. L.G.U.
GL04 — 10mm THK. TEMPERED GLASS (PROTECTIVE BARRIER)
GL05 — 6mm+12mm AIR GAP+8mm THK. L.G.U.

NO.	DATE	REVISION SUBJECT TO AMENDMENT	BY
A	09/28/2020	REVISION SUBJECT TO AMENDMENT	

JOB NO. : J-B52

PROJECT :
PROPOSED RESIDENTIAL DEVELOPMENT
AT 139 - 147 ARGYLE STREET,
NKIL 6005, 6035 R.P., 6036 R.P.,
6037 R.P. & 6038 R.P.

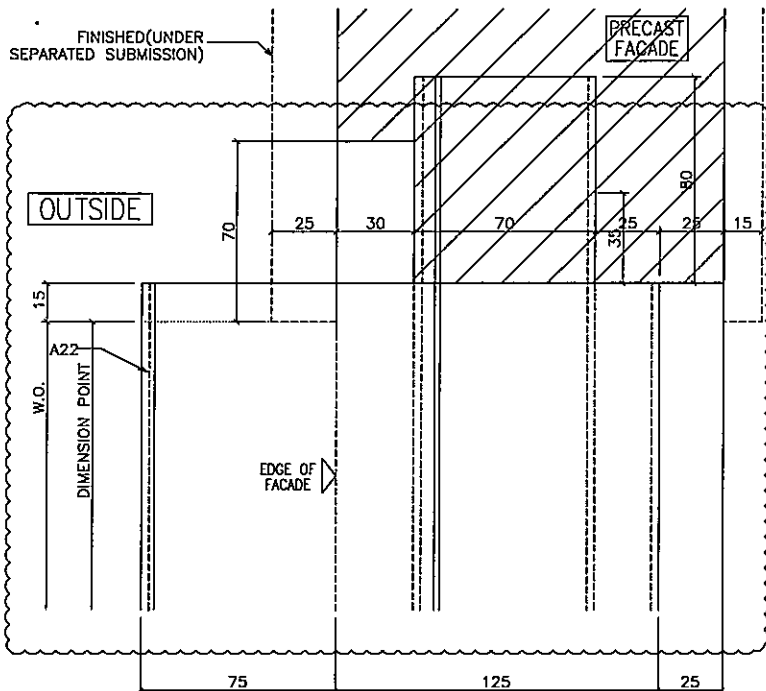
TITLE :
DETAIL FOR
ALUM. WINDOW

DATE : 05-Dec-19 SCALE : 1:2

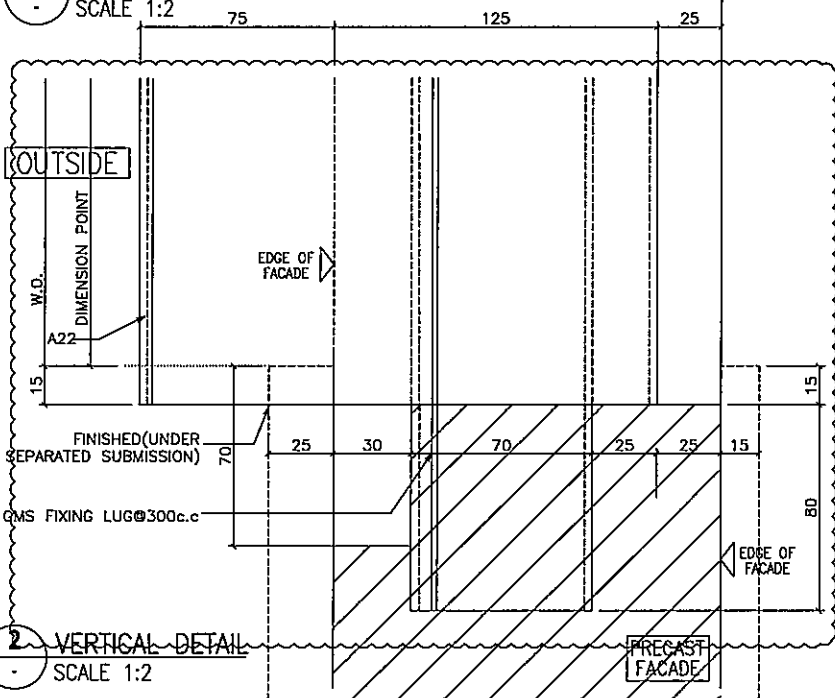
DRAWN BY : MN CHECKED BY : DW

美特铝业有限公司
MIDI ALUMINIUM FABRICATOR LTD.
Units 6-8, Sunny Industrial Centre, 1/F
510 Cheung Koo Road, Kwun Tong
Tel: 23489211-4 Fax: (852) 2727666

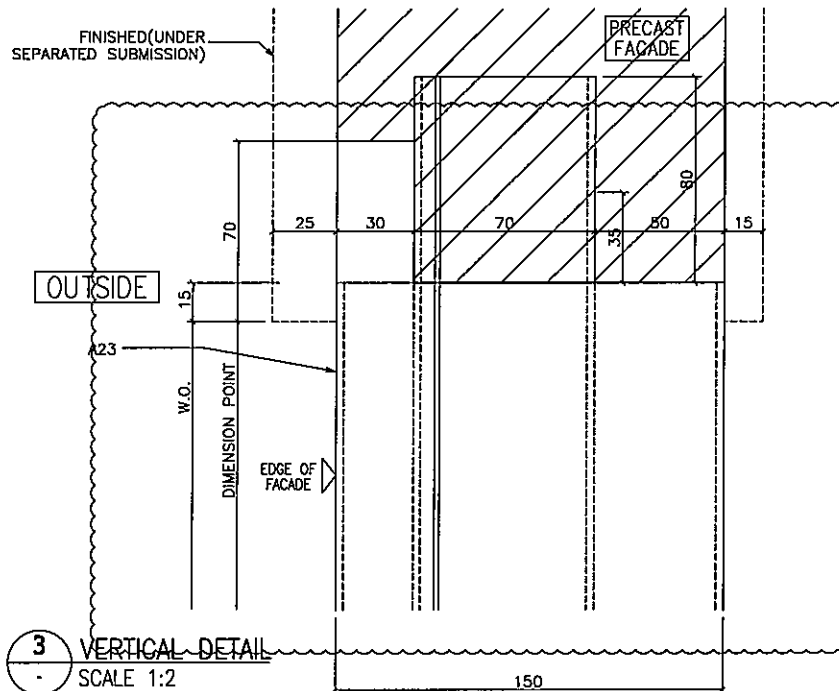
DWG NO. : J-B52-SD-PW-6003 REV. : A



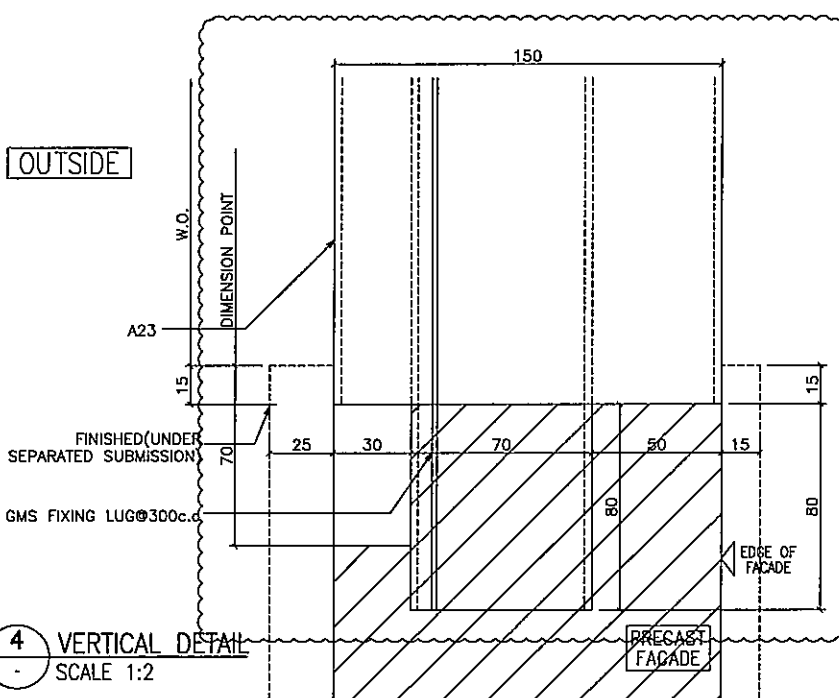
1 VERTICAL DETAIL
SCALE 1:2



2 VERTICAL DETAIL
SCALE 1:2



3 VERTICAL DETAIL
SCALE 1:2



4 VERTICAL DETAIL
SCALE 1:2

B.D. REF :
.....

CLIENT :
.....

ARCHITECT :
ABC

MAIN CONTRACTOR :
Gammon

STRUCTURAL ENGINEER :
ARUP

FACADE CONSULTANT :
MEINHARDT

NOTE:
1. ALL DIMENSIONS ARE IN mm.
2. ALL ELEVATIONS ARE VIEWED FROM OUTSIDE.
3. ALL DIMENSIONS TO BE VERIFIED ON SITE BEFORE FABRICATION.

LEGEND:
 (K) DETAIL MARK NO.
 (WOOD) REFER SHEET NO.
 1. F.F.L. --- FINISHED FLOOR LEVEL.
 2. S.F.L. --- STRUCTURAL FLOOR LEVEL.
 3. (R) --- REVERSED DETAIL.
 4. (A) --- FIXING LOCATION.
 5. (L) --- FIXING LUG LOCATION.
 6. GLASS LEGEND
 GL01 --- 8mm+12mm AIR GAP+10mm THK. L.G.L.
 GL02 --- 8mm+12mm AIR GAP+12mm THK. L.G.L.
 GL03 --- 10mm THK. TEMPERED GLASS (SPANDREL GLASS)
 GL04 --- 8mm+12mm AIR GAP+5mm THK. L.G.L.
 GL05 --- 10mm THK. TEMPERED GLASS (PROTECTIVE SPANDREL)
 GL06 --- 8mm+12mm AIR GAP+8mm THK. L.G.L.

NO.	DATE	ISSUED	BY

JOB NO. : J-652
 PROJECT : PROPOSED RESIDENTIAL DEVELOPMENT
 AT 139 - 147 ARGYLE STREET,
 NKIL 6005, 6035 R.P., 6036 R.P.,
 6037 R.P. & 6038 R.P.

TITLE : DETAIL FOR ALUM. WINDOW

DATE : 05-Dec-19 SCALE : 1:2

DRAWN BY : MN CHECKED BY : DW

美特鋁質有限公司
 MTDI ALUMINIUM FABRICATOR LTD.
 Units 5F-8, Survey Industrial Centre, 1/F
 610 Che Yee Ling Road, Kowloon
 Tel:23489211-4 Fax:(852)27727666

DWG NO. : J652-SD-PW-6004 REV. : -

JOB NO.: J-852
 PROJECT: PROPOSED RESIDENTIAL DEVELOPMENT
 AT 139 - 147 ARCADE STREET,
 NKIL 6005, 6035 R.P., 6036 R.P.,
 6037 R.P. & 6038 R.P.
 TITLE: DETAIL FOR
 ALUM. WINDOW
 DATE: 05-Dec-19 SCALE: 1:2
 DRAWN BY: MN CHECKED BY: DW
 MIDIA ALUMINIUM FABRICATOR LTD.
 1/16 0-18, Severy Industrial Centre,
 810 Chai Kwoi Road, Kowloon
 Tel: 23489211-4 Fax: 23272726
 DWS NO.: J852-SD-PW-6007 REV: -

1. ALL DIMENSIONS ARE IN mm.
 2. ALL ELEVATIONS ARE VIEWED FROM OUTSIDE
 BEFORE FABRICATION.
 3. ALL DIMENSIONS TO BE VERIFIED ON SITE.
 LEGEND:
 1. DETAIL MARK NO.
 2. REVERSED DETAIL
 3. FINISH LOCATION
 4. FLOOR LOCATION
 5. CLASS LEGEND
 6. GL01 - 6mm+12mm AIR CAP+10mm THR. LGLL
 7. GL02 - 10mm THR. TONERED GLASS (SPANDREL GLASS)
 8. GL03 - 6mm+12mm AIR CAP+6mm THR. LGLL
 9. GL04 - 10mm THR. TONERED GLASS (PROTECTIVE BARREN)
 10. GL05 - 6mm+12mm AIR CAP+6mm THR. LGLL

ARCHITECT: Agc
 MAIN CONTRACTOR: [Logo]
 STRUCTURAL ENGINEERS: Gammon
 FACADE CONSULTANT: ARUP
 WEINARDT

