

工程指示 / 要求簡箋(E.I.)

工程指示編號：EI / 1954 / 20

修改版次：E

工程編號：J - 852

工程名稱：亞皆老街中電

工程項目：佛沙窗 - 保護方案 (額外保護)

收件人：生統 / 王良

發件人：Bessie Lau

日期：26/11/2020

要求提供 / 確認 事項：

- | | | |
|------------------------------------|-------------------------------------|-------------------------------|
| <input type="checkbox"/> 初步鋁料 B.M. | <input type="checkbox"/> 加工拆圖，然後生產 | <input type="checkbox"/> 尺寸表 |
| <input type="checkbox"/> 正式鋁料 B.M. | <input type="checkbox"/> 技術上資料 / 指示 | <input type="checkbox"/> 報價 |
| <input type="checkbox"/> 配件 B.M. | <input type="checkbox"/> 樣辦或貨品說明書 | <input type="checkbox"/> 分判合約 |
| <input type="checkbox"/> 其他：_____ | | |

內容：

現修改保護方案，煩請按此包裝

(四邊窗框飾線見光位包膠蓋，另中企及中橫包 2mm 厚瓦坑紙)

煩請報價

請在 2020.12.04 前完成上列要求。

附有關圖紙 / 文件：

以上項目為：

- 原合約工程包 原合約工程加 / 減賬 新工程報價

原因：-

分發東莞各部門：

- () 生產技術總監 連附件 () 技術部 連附件 () 生產部 連附件 () 機械設計部 連附件
 () 採購部 連附件 () 生產統籌部 連附件
 () 質檢部 連附件 () 會計部 連附件 () 報關組 連附件 () 其他 _____ 連附件

分發其他分判：

- (v) 水洪 連附件

分發香港各部門：

- () 行政部 連附件 () 會計部 連附件 () 統籌部 連附件 () 工程部地盤科文 連附件
 () 採購部 連附件 () QS 部 連附件 () 維修部 連附件 () 其他 _____ 連附件

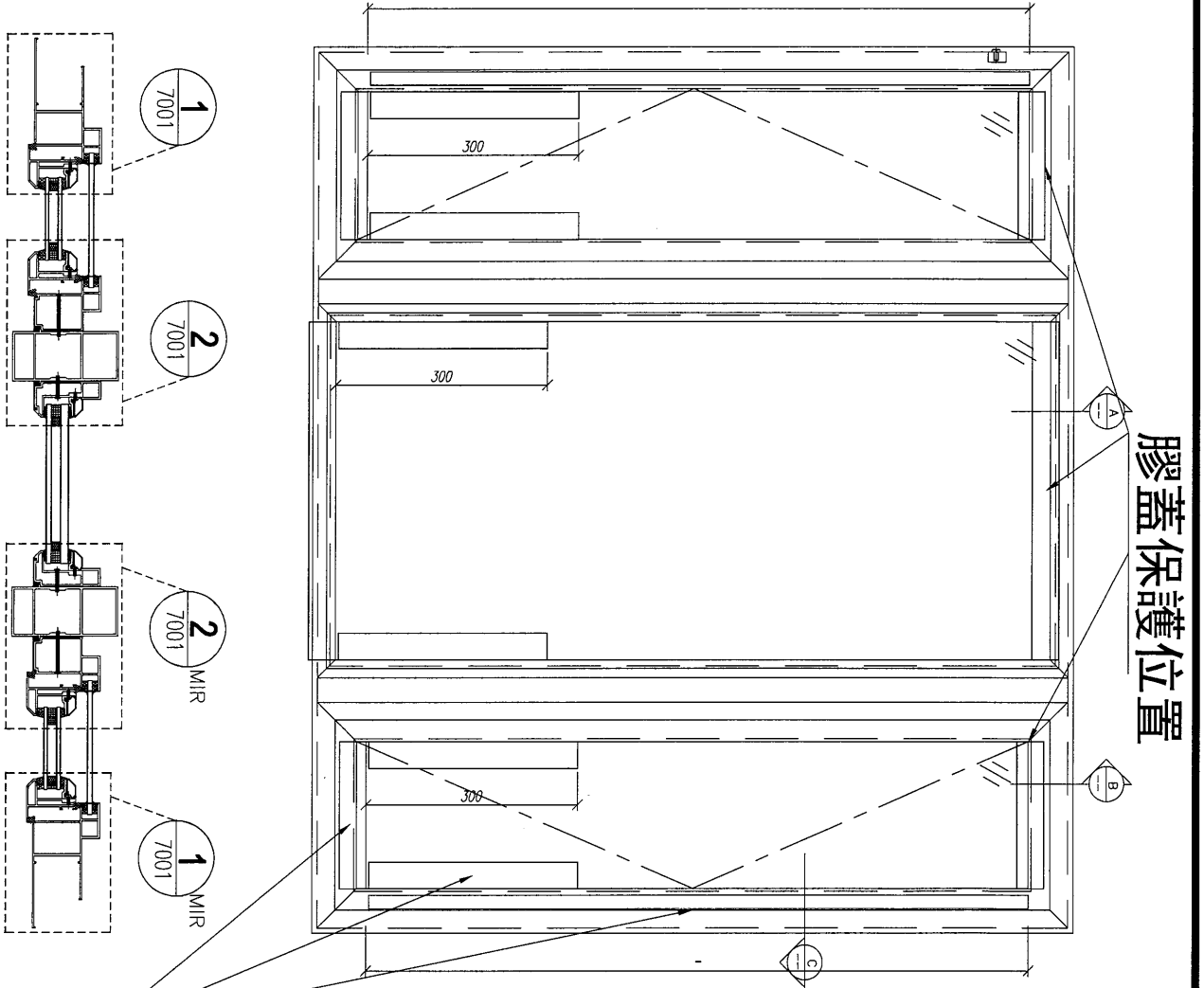
傳遞編號：

HK 2718 / 20

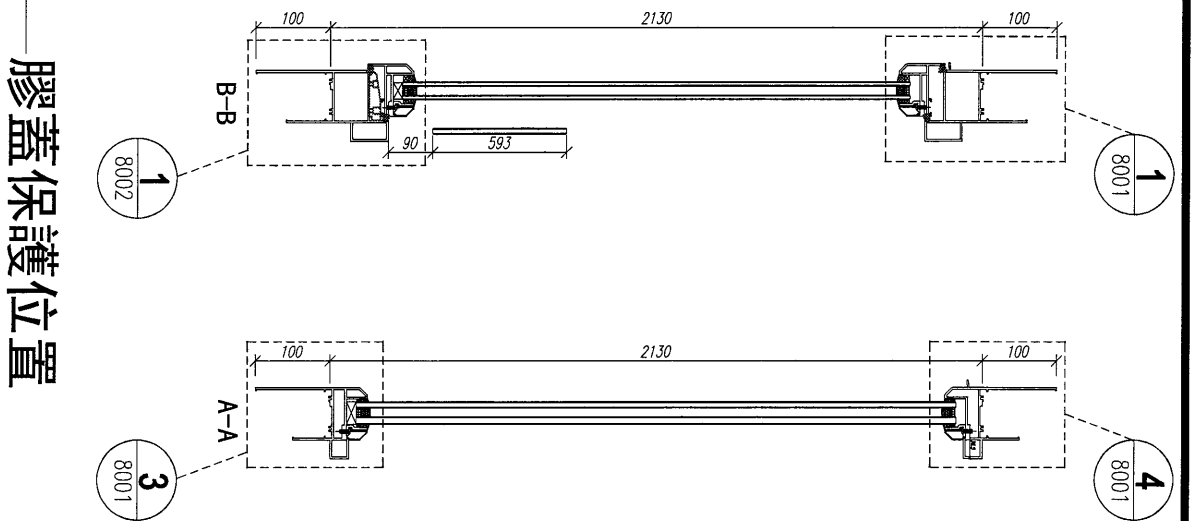
發件人簽署：

項目經理簽署：

窗框飾線包膠蓋 (L=見光位)



窗框飾線包膠蓋 (L=見光位)



数量: -	材料:	表面处理: UC1806812AL-3	Rev: A
制图: IVAN	日期: 2020.07.06	审核:	工程名称: 亞皆老街 / 佛沙窗
校核: WSH	表面处理: UC1806812AL-3	Rev: A	图号:

C-C

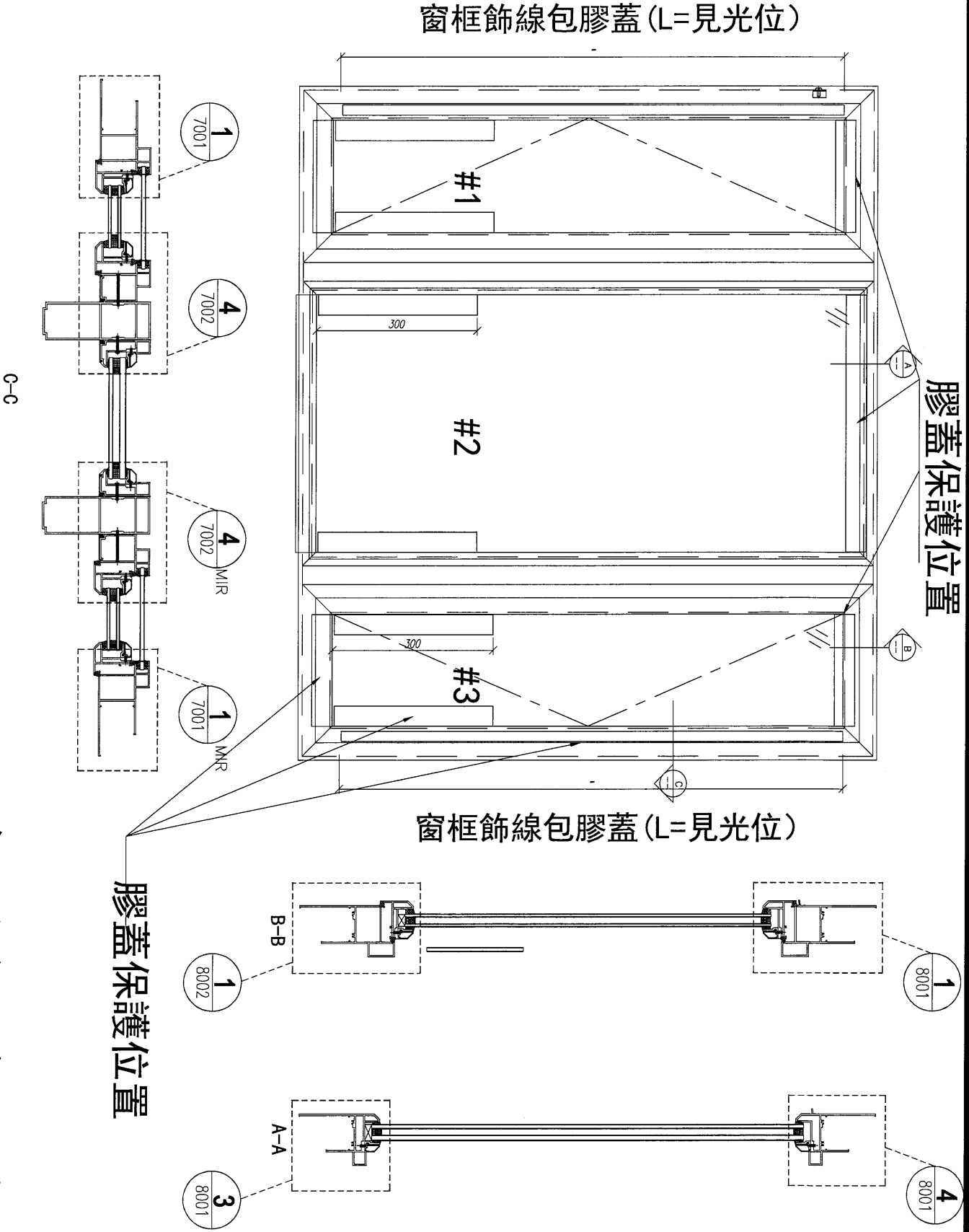
美特铝质有限公司
MIDI Aluminium Fabricator Ltd.

工程名称: 亞皆老街 / 佛沙窗
图号:

包装保护示意图

数量: -	材料:	表面处理: UCT806812XL-3	Rev: A
制图: IVAN	日期: 2020.07.06	审核: WSH	工程名称: 亞皆老街 / 佛沙窗
			图名:
			图号:

包装保护示意图



美特铝质有限公司
MIDI Aluminium Fabricator Ltd.

C-C

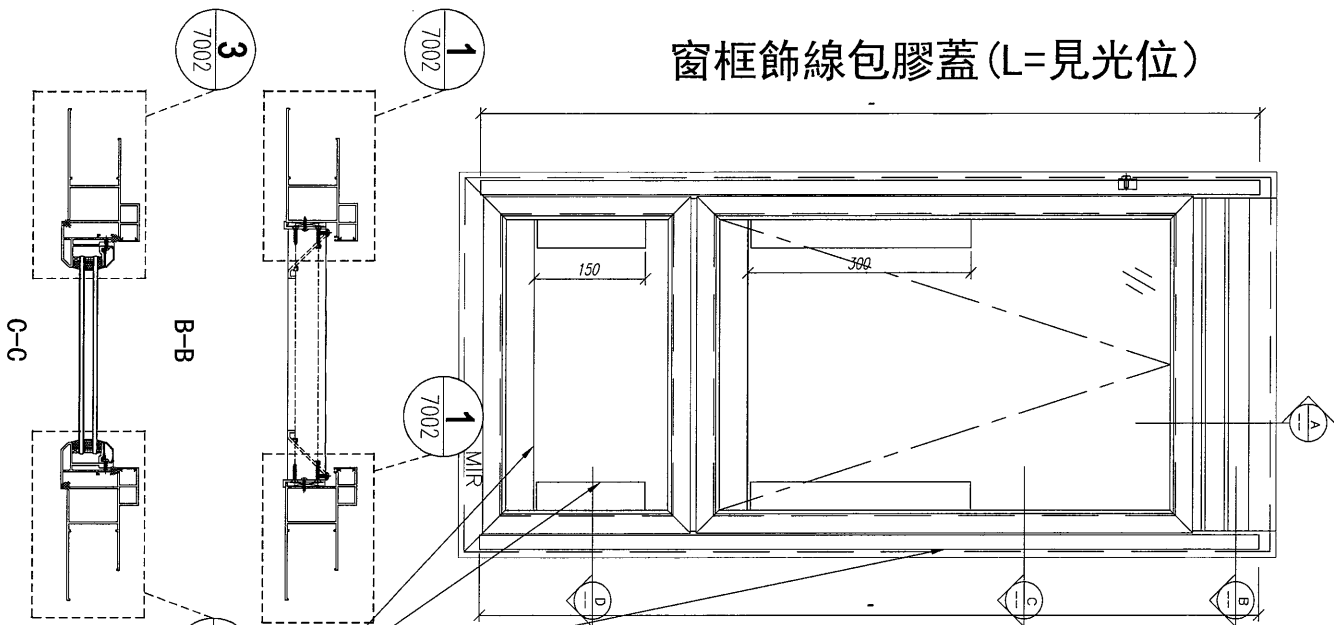
膠蓋保護位置

窗框飾線包膠蓋 (L=見光位)

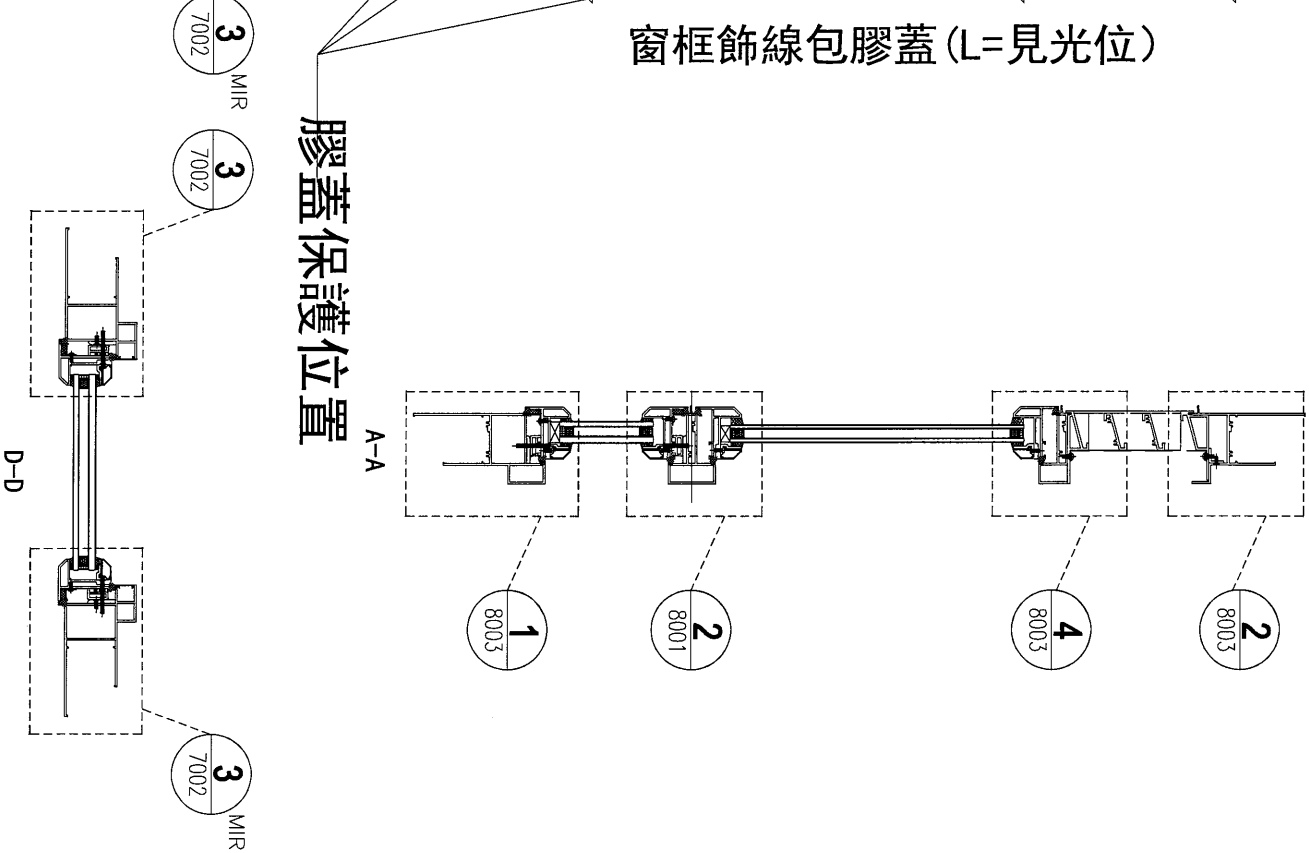
窗框飾線包膠蓋 (L=見光位)

膠蓋保護位置

窗框飾線包膠蓋 (L=見光位)



窗框飾線包膠蓋 (L=見光位)



膠蓋保護位置

C-C

B-B

D-D

A-A

数量: -
 材料:
 表面处理: UC1806812AL-3
 日期: 2020.07.06
 校核: WSH
 审核:
 Rev. A

美特铝质有限公司
 MIDI Aluminium Fabricator Ltd.

工程名称: 亞皆老街 / 佛沙窗
 图名:
 图号:

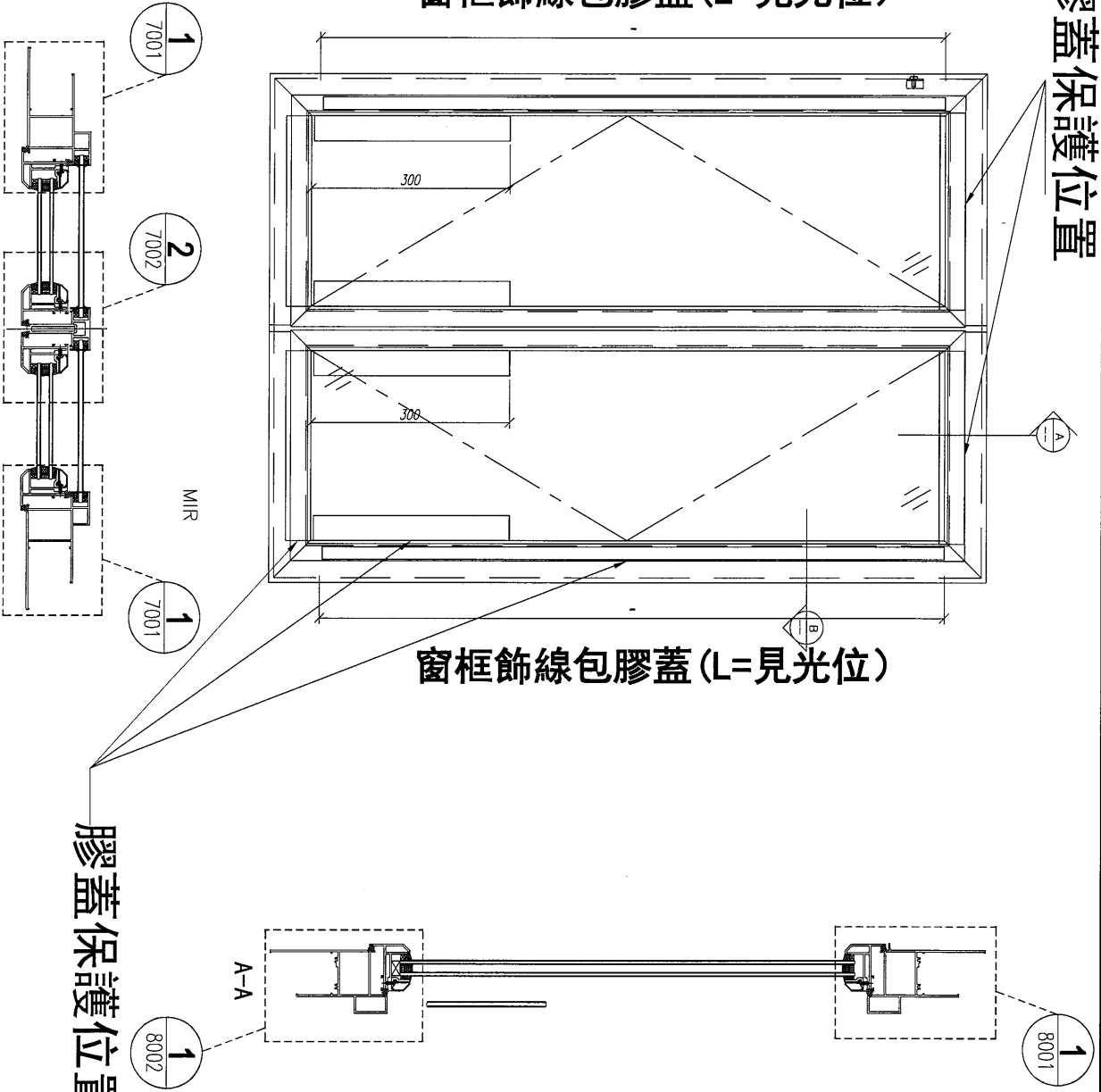
包装保护示意图

膠蓋保護位置

窗框飾線包膠蓋(L=見光位)

窗框飾線包膠蓋(L=見光位)

膠蓋保護位置



B-B

数量:

材料:

制图: IVAN

日期: 2020.07.06

校核: WSH

表面处理: UC1806812XL-3

审核:

Rev. A

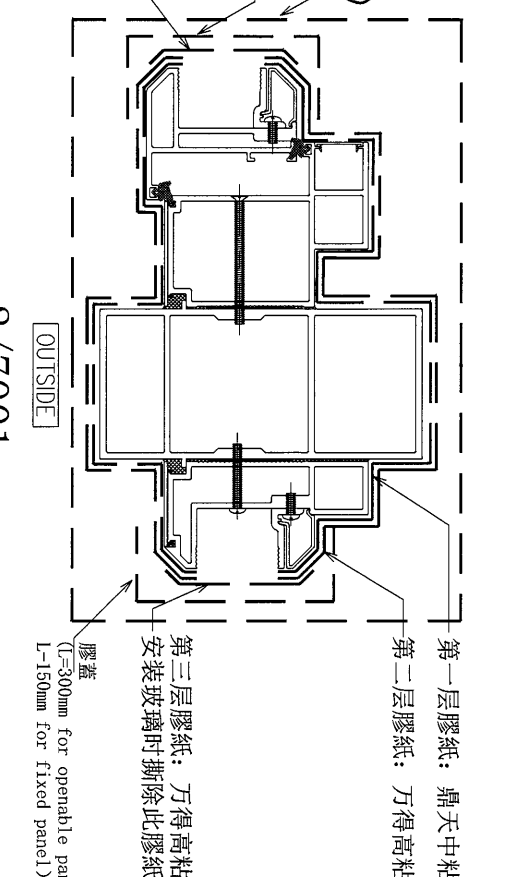
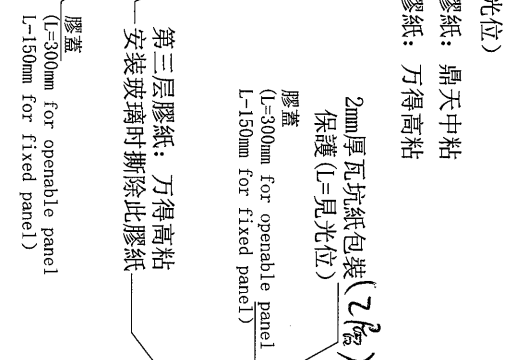
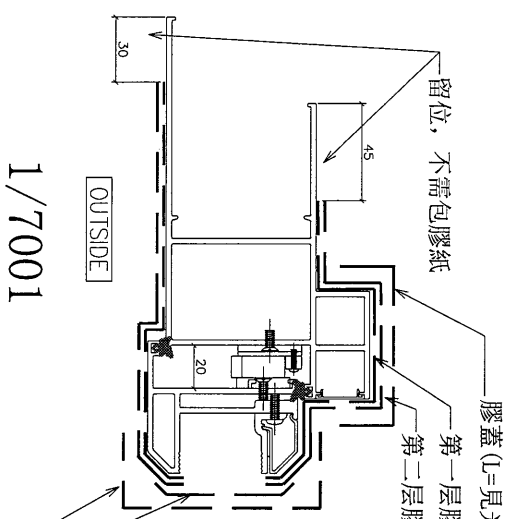
美特铝质有限公司
MIDI Aluminium Fabricator Ltd.

工程名称: 亞皆老街 / 佛沙窗

图名:

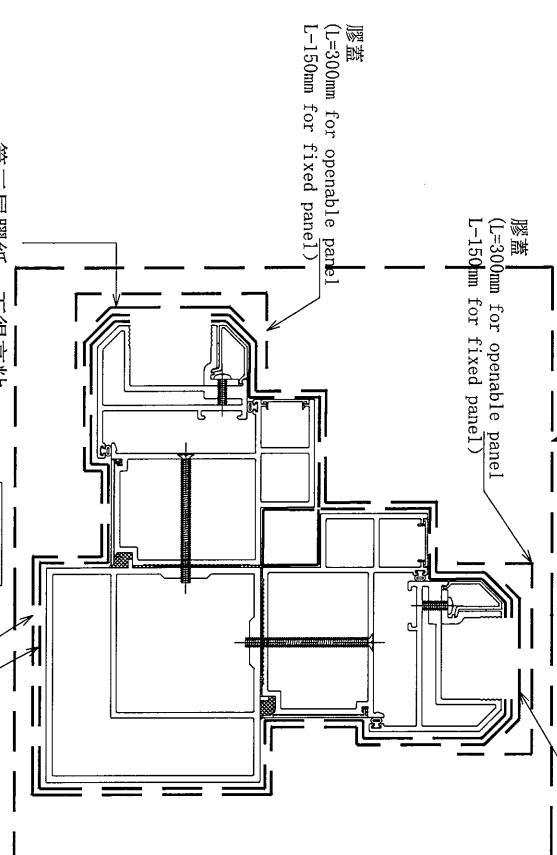
图号:

包装保护示意图



B.O. REF :
 CLIENT :
 ARCHITECT :
 MAIN CONTRACTOR :
 STRUCTURAL ENGINEER :
 FACADE CONSULTANT :
 Gammion
 ARUP
 MENHARDT

2mm厚瓦坑紙包裝 (2層) 保護 (L=見光位)
 膠蓋 (L=300mm for operable panel L=150mm for fixed panel)
 第三層膠紙: 万得高粘 安装玻璃时撕除此膠紙

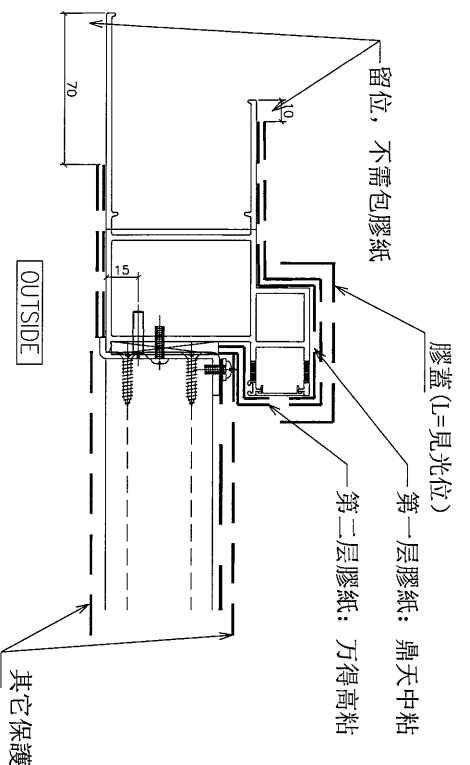


第一層膠紙: 鼎天中粘
 第二層膠紙: 万得高粘
 第三層膠紙: 万得高粘 安装玻璃时撕除此膠紙

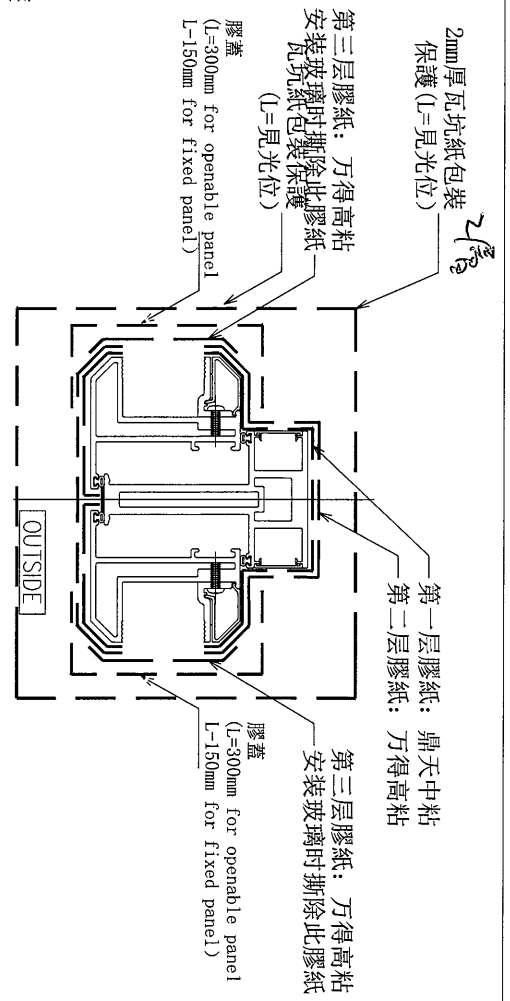
NOTE:
 1. ALL DIMENSIONS ARE IN mm.
 2. ALL ELEVATIONS ARE VIEWED FROM OUTSIDE.
 3. ALL DIMENSIONS TO BE VERRIED ON SITE BEFORE FABRICATION.
 LEGEND:
 (X) DETAIL MARK NO.
 (R) REFER SHEET NO.

1.	F.F.L.--FINISHED FLOOR LEVEL
2.	S.F.L.--STRUCTURAL FLOOR LEVEL
3.	▲--REVERSED DETAIL
4.	△--FRAMING LOCATION
5.	△--FRAMING LITE LOCATION
6.	GLASS LEAD
GL01	--6mm+12mm AIR GAP+12mm THK. LGU
GL01B	--6mm+9mm AIR GAP+12mm THK. LGU
GL02	--10mm THK. THERMO GLASS (SINGLE GLASS)
GL03	--5mm+12mm AIR GAP+6mm THK. LGU
GL04	--10mm THK. THERMO GLASS (PRACTICE BARBER)
GL05	--5mm+12mm AIR GAP+6mm THK. LGU

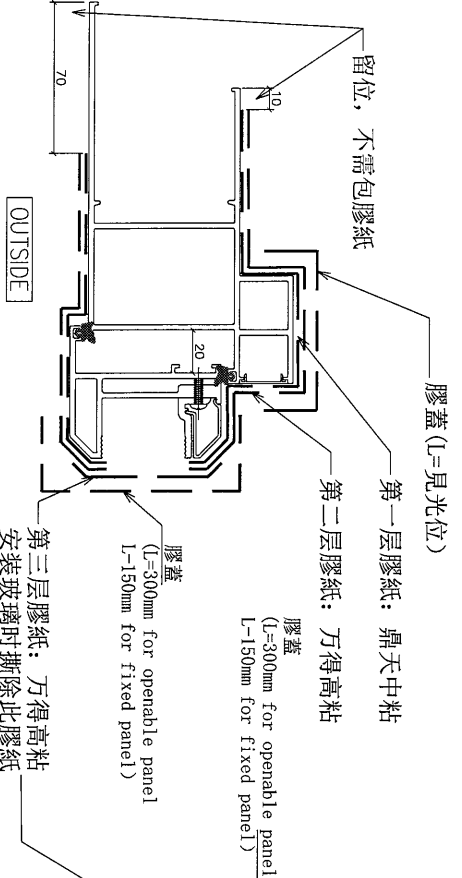
JOB NO. : J-852
 PROJECT : PROPOSED RESIDENTIAL DEVELOPMENT AT 139 - 147 ARGYLE STREET, NKL 6005, 6035 R.P., 6036 R.P., 6037 R.P. & 6038 R.P.
 TITLE : DETAIL FOR ALUM. WINDOW
 DATE : 05-Dec-19 SCALE : 1:2
 DRAWN BY : JMN CHECKED BY : DW
 MTDI
 美特 经贸 有限公司
 11th Floor, Suning International Building, 111, 610 Chee Kuan Ling Road, Kampong Kapor, Singapore 630011
 Tel: 65-63489211-4 Fax: 65-63272756
 DWG NO. : 4852-SP-PW-7001



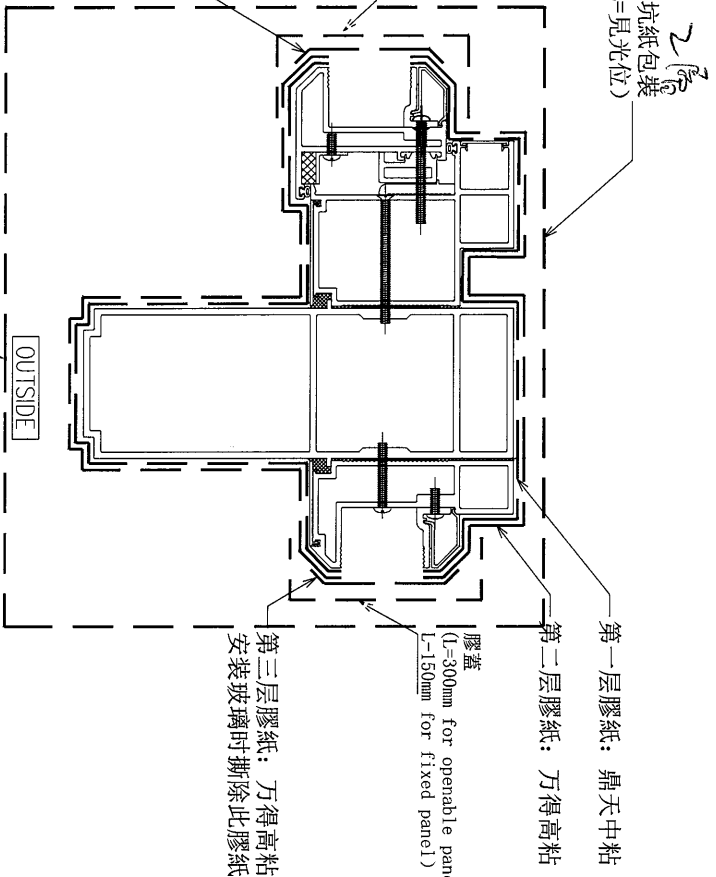
1/7002



2/7002



3/7002



4/7002

NOTE:
1. ALL DIMENSIONS ARE IN mm.
2. ALL DIMENSIONS ARE VIEWED FROM OUTSIDE.
3. ALL DIMENSIONS TO BE CHECKED ON SITE BEFORE FABRICATION.

LEGEND:

- (X) --- DETAIL MARK NO.
- (100) --- REFER SHEET NO.
- 1. FEEL --- FINISHED FLOOR LEVEL
- 2. S.F.L --- STRUCTURAL FLOOR LEVEL
- 3. --- REVERSED DETAIL
- 4. --- FRANK LOCATION
- 5. △ --- FRANK LIG LOCATION
- 6. GLASS LEGEND
- 6.01 --- 6mm+12mm AIR GAP+10mm THK. IG.U.
- 6.01-1 --- 6mm+12mm AIR GAP+12mm THK. IG.U.
- 6.01-2 --- 6mm THK. TAPERED GLASS (SHOWER GLASS)
- 6.01-4 --- 6mm+12mm AIR GAP+5mm THK. IG.U.
- 6.01-5 --- 10mm THK. TAPERED GLASS (PREDICTIVE SHEETS)
- 6.01-5 --- 6mm+12mm AIR GAP+6mm THK. IG.U.

BD. REF. : _____

CLIENT : _____

ARCHITECT : **ABC INTERIOR LTD.**
 1/F, 610 Cheung Kwo Ling Road, Kowloon
 HONG KONG

STRUCTURAL ENGINEER : **Gammron**
 1/F, 610 Cheung Kwo Ling Road, Kowloon
 HONG KONG

FRAME CONSULTANT: **ARUP**
 1/F, 610 Cheung Kwo Ling Road, Kowloon
 HONG KONG

MEINHARDT

PROJECT : **PROPOSED RESIDENTIAL DEVELOPMENT AT 139 - 147 ARGYLE STREET, NKL 6005, 6035 R.P., 6036 R.P., 6037 R.P. & 6038 R.P.**

TITLE : **DETAIL FOR ALUM. WINDOW**

JOB NO. : **J-852**

NO.	DATE	REVISION SUBJECT TO ARCHITECT/ENGINEER
A	16/06/2020	REVISION SUBJECT TO ARCHITECT/ENGINEER
B	05/06/2020	REVISION SUBJECT TO ARCHITECT/ENGINEER
C	02/02/2020	REVISION SUBJECT TO ARCHITECT/ENGINEER
D	24/02/2020	REVISION SUBJECT TO ARCHITECT/ENGINEER

DATE : 05 - Dec - 19 SCALE : 1:2

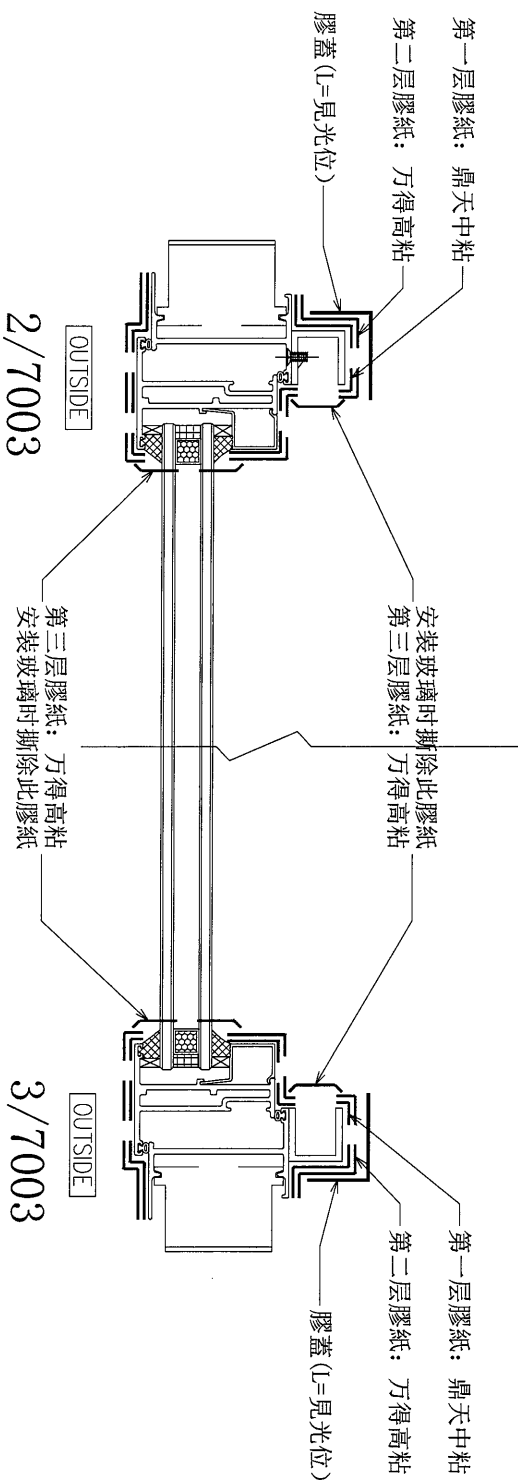
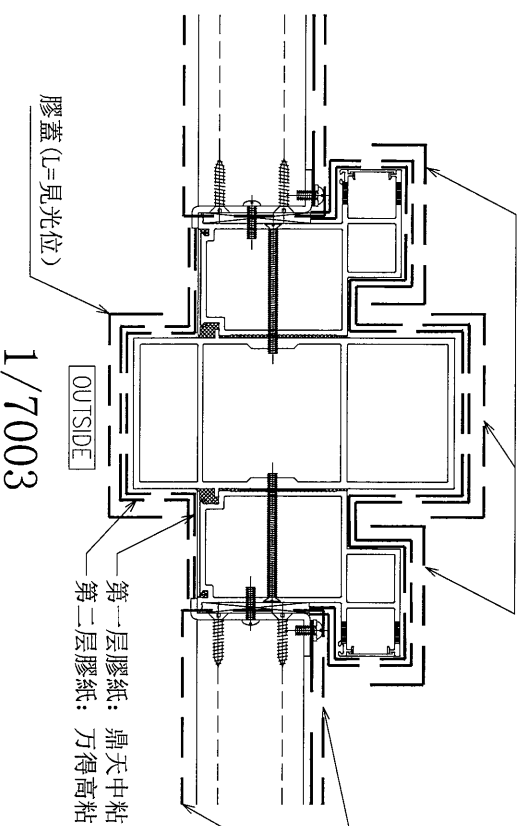
DRAWN BY : MN CHECKED BY : DW

美特铝业有限公司
 MEI TEE ALUMINIUM FABRICATION LTD.
 610 Cheung Kwo Ling Road, Kowloon
 Tel: (852) 4692711-4 Fax: (852) 2772766

PKC NO. : JB82-SD-PW-7002 REV. : -

膠蓋 (=見光位)

其它保護



B.O. REF :

CLIENT :

ARCHITECT :

MAIN CONTRACTOR :



STRUCTURAL ENGINEER :

ARUP

PACKAGE CONSULTANT:



- NOTE:
1. ALL DIMENSIONS ARE IN mm.
 2. ALL ELEVATIONS ARE VIEWED FROM OUTSIDE.
 3. ALL DIMENSIONS TO BE VERIFIED ON SITE BEFORE FABRICATION.

LEGEND:

- (S) --- DETAIL MARK NO.
- (AS) --- REFER SHEET NO.
- 1. F.F.L. --- FINISHED FLOOR LEVEL
- 2. S.F.L. --- STRUCTURAL FLOOR LEVEL
- 3. @ --- REVERSED DETAIL
- 4. --- FINING LOCATION
- 5. Δ --- FINING LUG LOCATION
- 6. QUANTITY LEGEND
- 6.01C --- 6mm x 12mm AIR CAP-12mm THK. (C10)
- 6.01D --- 6mm x 12mm AIR CAP-12mm THK. (C10)
- 6.02C --- 12mm THK. THERMO GLASS (SWHEDI GLASS)
- 6.02D --- 6mm x 12mm AIR CAP-6mm THK. (C10)
- 6.03C --- 12mm THK. THERMO GLASS (POLYBLEN 88889)
- 6.03D --- 6mm x 12mm AIR CAP-6mm THK. (C10)

NO.	DATE	REVISION SUBJECT TO ASSIGNMENT	BY	CHK
1	16/06/2020	REVISION SUBJECT TO ASSIGNMENT		
2	19/05/2020	REVISION SUBJECT TO ASSIGNMENT		

JOB NO. : J-852

PROJECT : PROPOSED RESIDENTIAL DEVELOPMENT AT 139 - 142 ARGYLE STREET, NKHL 6005, 6035 R.P., 6036 R.P., 6037 R.P. & 6038 R.P.

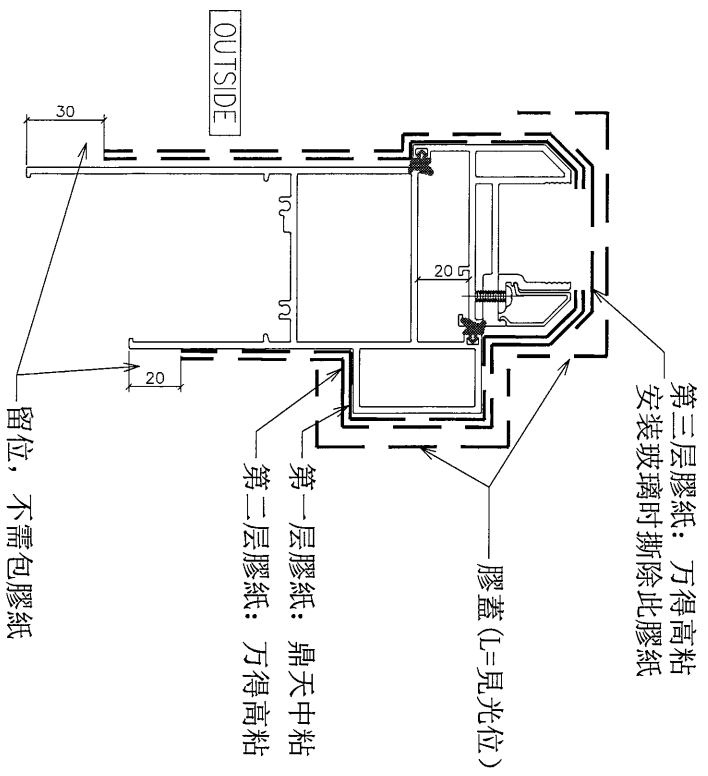
TITLE : DETAIL FOR ALUM. WINDOW

DATE : 05-Dec-19 SCALE : 1:2

DRAWN BY : MKN CHECKED BY : DWI

美特經貿有限公司
MKN
Unit 6-8, Sunway Industrial Centre, 1/17, 610 Cheong Chee Road, Kelantan
Tel: 62488211-4 Fax: 659272775658

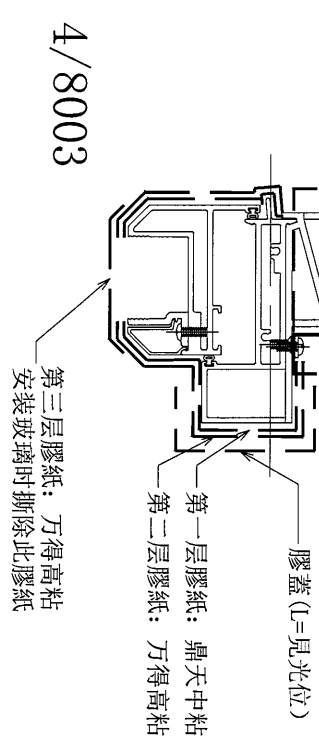
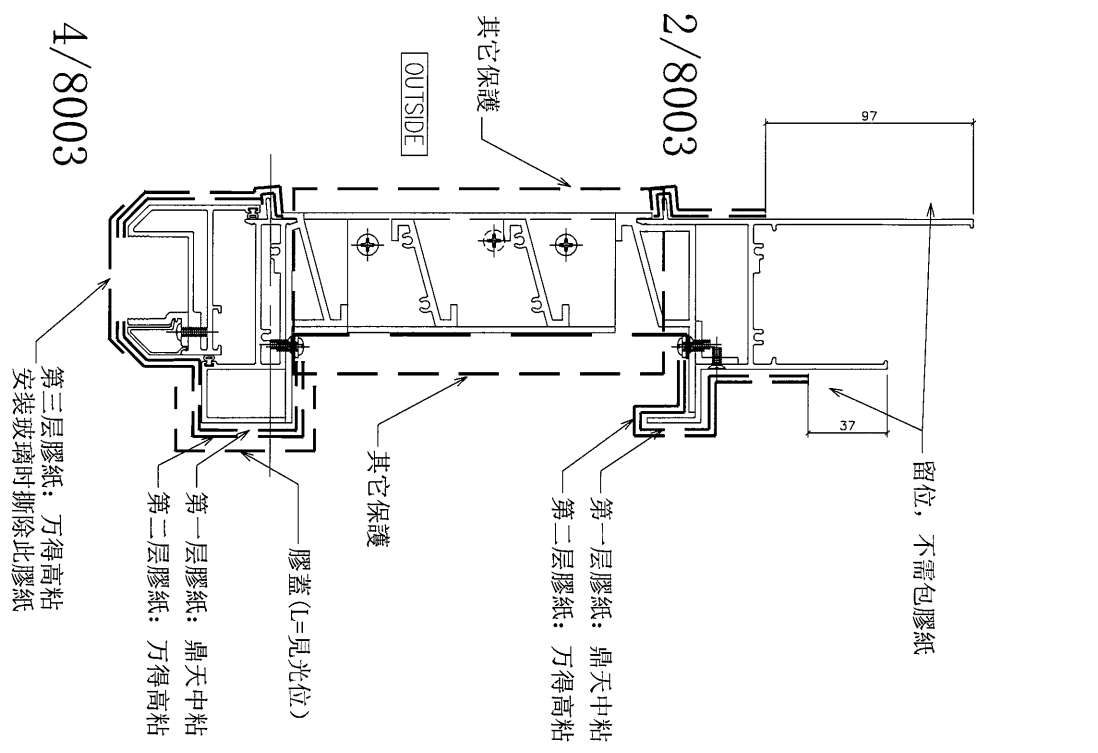
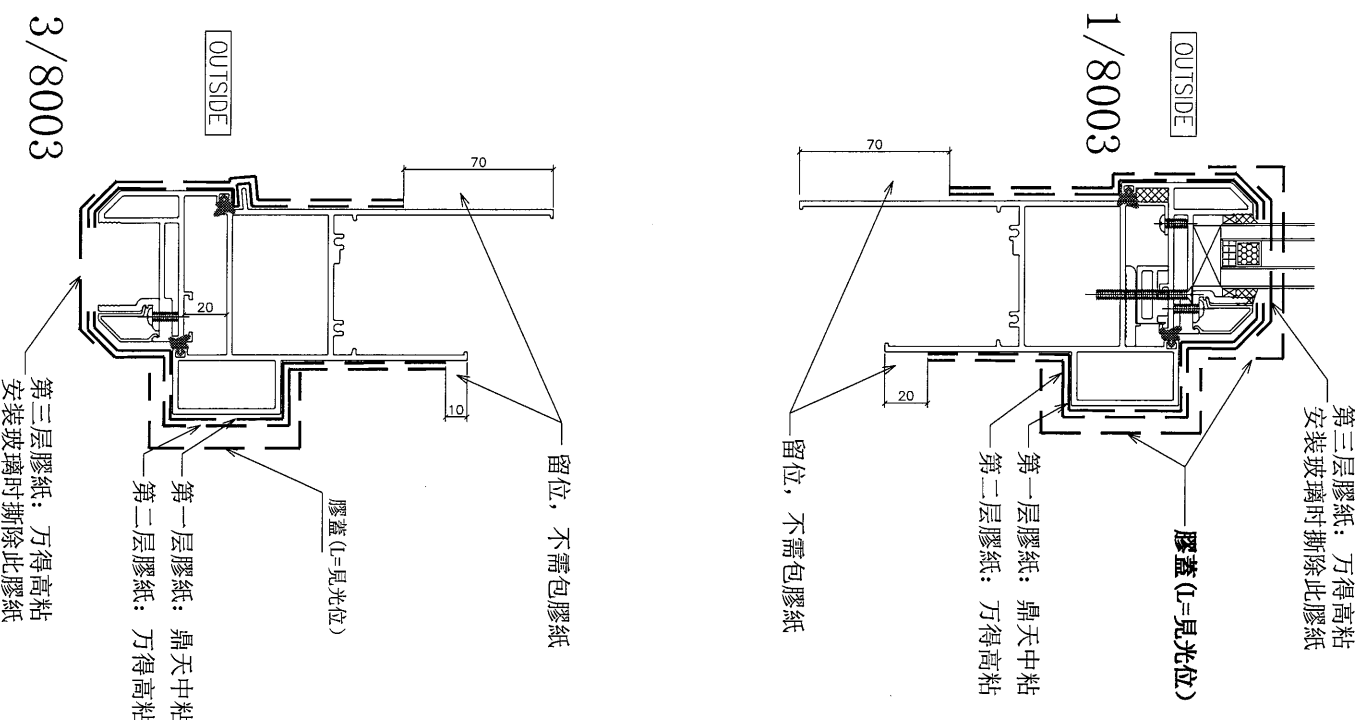
DWG. NO. : J852-S0-PW-7003 REV. : -



1/8002

B.O. REF. :			
CLIENT :			
ARCHITECT :			
STRUCTURAL ENGINEER :			
FAÇADE CONSULTANT :			
<p>NOTE :</p> <p>1. ALL DIMENSIONS ARE IN mm.</p> <p>2. ALL EXPANSIONS ARE VIEWED FROM OUTSIDE.</p> <p>3. ALL DIMENSIONS TO BE VERIFIED ON SITE BEFORE FABRICATION.</p>			
<p>LEGEND :</p> <p>(X) DETAIL MARK NO.</p> <p>(REF) REFER SHEET NO.</p> <p>1. FEEL --- FINISHED FLOOR LEVEL</p> <p>2. SEL --- STRUCTURAL FLOOR LEVEL</p> <p>3. (R) --- REVERSED METAL</p> <p>4. ▲ --- FINING LOCATION</p> <p>5. △ --- FINING LIG LOCATION</p> <p>6. GLASS LEGEND</p> <p>GL01 --- 6mm+12mm AIR GAP+12mm THK LGU</p> <p>GL02 --- 6mm+12mm AIR GAP+12mm THK LGU</p> <p>GL03 --- 6mm+12mm AIR GAP+12mm THK LGU</p> <p>GL04 --- 6mm THK TINTED GLASS (PROTECTIVE BARRIER)</p> <p>GL05 --- 6mm+12mm AIR GAP+12mm THK LGU</p>			
<p>JOB NO. : J-852</p> <p>PROJECT :</p> <p>PROPOSED RESIDENTIAL DEVELOPMENT AT 139 - 147 ARCYLE STREET, NKIL 6005, 6035 R.P., 6036 R.P., 6037 R.P. & 6038 R.P.</p> <p>TITLE :</p> <p>DETAIL FOR ALUM. WINDOW</p>			
DATE : 05-Dec-19	SCALE : 1:2		
DRAWN BY : MN	CHECKED BY : DW		
<p>DATE : 18/09/2020</p>		REVISION SUBJECT TO ARCHITECT COMMENT	REV
<p>DATE : 01/06/2020</p>		REVISION SUBJECT TO ARCHITECT COMMENT	REV
<p>DATE : 09/05/2020</p>		REVISION SUBJECT TO ARCHITECT COMMENT	REV
<p>DATE : 03/03/2020</p>		REVISION SUBJECT TO ARCHITECT COMMENT	REV
<p>DATE : 24/02/2020</p>		REVISION SUBJECT TO ARCHITECT COMMENT	REV

美特铝质有限公司
 MID I ALUMINIUM FABRICATOR LTD.
 410 Chuan Sheng Road, Industrial Estate, Yuen Long
 Tel: 3489211-4 Fax: 8522727556



B.D. REF :

CLIENT :
ARCHITECT :
MAIN CONTRACTOR :

STRUCTURAL ENGINEER :
FACADE CONSULTANT:
ARUP
MEINHARDT

NOTE:
1. ALL DIMENSIONS ARE IN mm.
2. ALL ELEVATIONS ARE VIEWED FROM OUTSIDE.
3. ALL DIMENSIONS TO BE CHECKED ON SITE BEFORE FABRICATION.
LEGEND:
① -- DETAIL WORK NO.
② -- REFER SHEET NO.

1. F.F.L. -- FINISHED FLOOR LEVEL.
2. S.F.L. -- STRUCTURAL FLOOR LEVEL.
3. ▲ -- REVERSED DETAIL.
4. ▲ -- FINISH LOCATION.
5. ▲ -- FINISH LIG LOCATION.
6. GLASS LEGEND
GL01 -- 800x1200mm AIR CAP+10mm THK LGU
GL02 -- 800x1200mm AIR CAP+12mm THK LGU
GL03 -- 6mm THK TONED GLASS (SUNSHIELD GLASS)
GL04 -- 6mm+12mm AIR CAP+6mm THK LGU
GL05 -- 6mm THK TONED GLASS (PROTECTIVE SHEET)
GL06 -- 6mm+12mm AIR CAP+6mm THK LGU

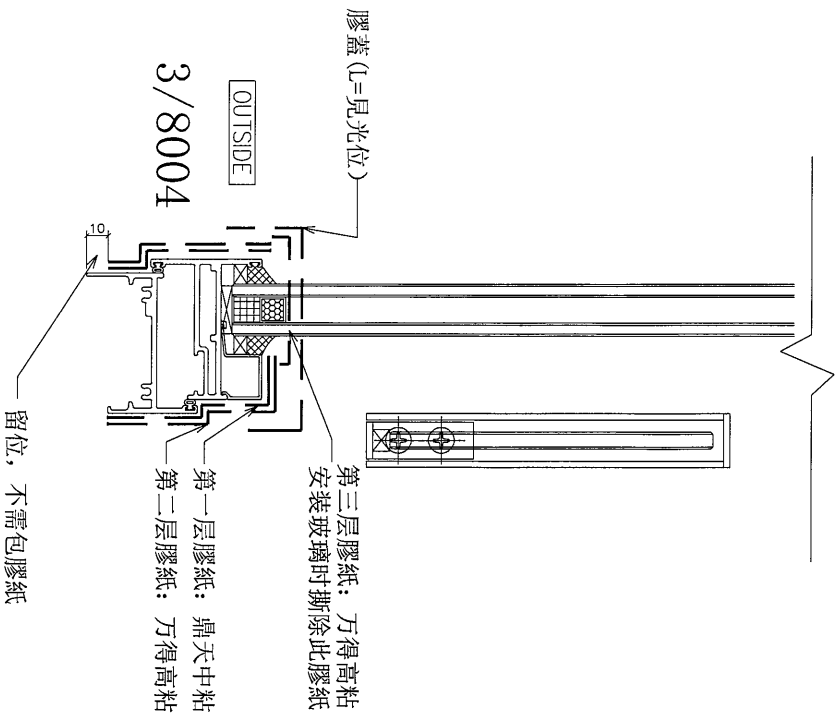
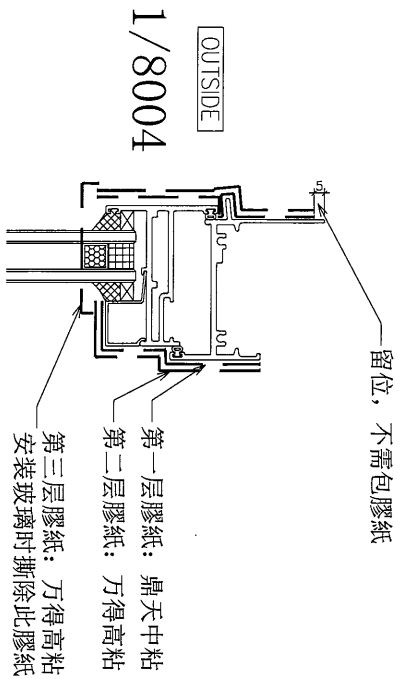
NO.	DATE	REVISION	REVISION SUBJECT TO AMENDMENT	DATE
B	16/06/2020	REVISION SUBJECT TO AMENDMENT		
C	01/06/2020	REVISION SUBJECT TO AMENDMENT		
A	09/05/2020	REVISION SUBJECT TO AMENDMENT		

JOB NO. : J-852

PROJECT :
PROPOSED RESIDENTIAL DEVELOPMENT
AT 139 - 147 ARGYLE STREET,
NKL 6005, 6035 R.P., 6036 R.P.,
6037 R.P. & 6038 R.P.

TITLE :
DETAIL FOR
ALUM. WINDOW

DATE : 05-Dec-19 SCALE : 1:2
DRAWN BY : MN CHECKED BY : DW
美特铝业有限公司
MIDI Aluminium Fabrication Ltd.
810 Cheong Chee Ling Road, Kembangan
Tel: 62489211-4 Fax: 62427272
PWS NO. : JB52-S0-PW-8003 REV. : -



B.D. REF :

CLIENT :

ARCHITECT :

 ARCHITECTS & PLANNERS
 11/F, 110, Des Voeux Road East, Hong Kong

MAIN CONTRACTOR :

 Gammion

STRUCTURAL ENGINEER :

FACTORY CONSULTANT:
 ARUP
 MENHARDT

NOTE:
 1. ALL DIMENSIONS ARE IN mm.
 2. ALL EXPANSIONS ARE VIEWED FROM OUTSIDE.
 3. ALL DIMENSIONS TO BE VIEWED ON SITE BEFORE FABRICATION.

LEGEND :

- (X) DETAIL MARK NO.
- (SD) REFER SHEET NO.
- 1. F.F.L. -- FINISHED FLOOR LEVEL
- 2. S.F.L. -- STRUCTURAL FLOOR LEVEL
- 3. (R) -- REVERSED DETAIL
- 4. ▲ -- FINING LOCATION
- 5. △ -- FINING LIG LOCATION
- 6. GLASS LEGEND
- GL01 -- 6mm+12mm AIR GAP+10mm TIK LGU
- GL02 -- 6mm+6mm AIR GAP+12mm TIK LGU
- GL02 -- 6mm TIK THERMO GLASS (SUNSCREEN GLASS)
- GL03 -- 6mm+12mm AIR GAP+6mm TIK LGU
- GL04 -- 6mm TIK THERMO GLASS (PROTECTIVE INNER)
- GL05 -- 6mm+12mm AIR GAP+6mm TIK LGU

REV	DATE	REVISION	BY	CHKD
C	16/06/2020	REVISION SUBJECT TO ARCHITECT COMMENT		
B	07/06/2020	REVISION SUBJECT TO ARCHITECT COMMENT		
A	06/05/2020	REVISION SUBJECT TO ARCHITECT COMMENT		

JOB NO. : J-852

PROJECT : PROPOSED RESIDENTIAL DEVELOPMENT AT 139 - 147 ARGYLE STREET, NKL 6005, 6035 R.P., 6036 R.P., 6037 R.P. & 6038 R.P.

TITLE : DETAIL FOR ALUM. WINDOW

DATE : 05-Dec-19 SCALE : 1:2

DOWN BY : MW CHECKED BY : OW

 MIDY
 美特 铝质有限公司
 Units 6-8 Sunny Industrial Centre,
 610 Che Kwo Ling Road, Kowloon
 Tel:23489211-4 Fax:(852)27277666

ENG NO. : J852-SD-PW-8004 REV. : -