

工程指示 / 要求簡箋(E.I.)

工程指示編號：EI / 1954 / 20

修改版次：C

工程編號：J - 852

工程名稱：亞皆老街中電

工程項目：佛沙窗 - 保護方案 和 膠蓋

收件人：生統 / 王良

發件人：Ant Yeung

日期：23/07/2020

□要求提供 / □確認 事項：

- () 初步鋁料 B.M. () 加工拆圖，然後生產 () 尺寸表
- () 正式鋁料 B.M. () 技術上資料 / 指示 () 報價
- () 配件 B.M. () 樣辦或貨品說明書 () 分判合約
- () 其他：_____

內容：

C 版：按生統要求，參照 J851 做法 (EI-1597)。上次 EI 1971 出貨已按此做法

請按 J852 佛沙窗保護方案包裝。

注意：窗底要加膠蓋，企身也要加膠蓋

：膠紙和膠紙重疊位置要加皺紋膠紙

按廠回覆：木方是取消，因會有蟲蛀

謝謝

請在 2020.07.25 前完成上列要求。

附有關圖紙 / 文件：

以上項目為：

- 原合約工程包 原合約工程加 / 減賬 新工程報價

原因：-

分發東莞各部門：

- () 生產技術總監 連附件 () 技術部 連附件 () 生產部 連附件 () 機械設計部 連附件
- () 採購部 連附件 () 生產統籌部 連附件
- () 質檢部 連附件 () 會計部 連附件 () 報關組 連附件 () 其他 _____ 連附件

分發其他分判：

- (v) 水洪 連附件

分發香港各部門：

- () 行政部 連附件 () 會計部 連附件 () 統籌部 連附件 () 工程部地盤科文 連附件
- () 採購部 連附件 () QS 部 連附件 () 維修部 連附件 () 其他 _____ 連附件

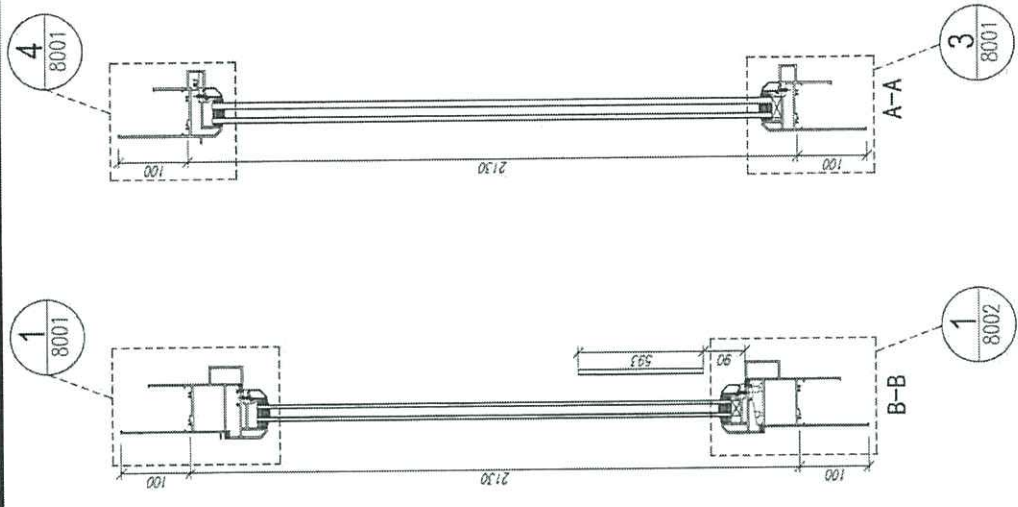
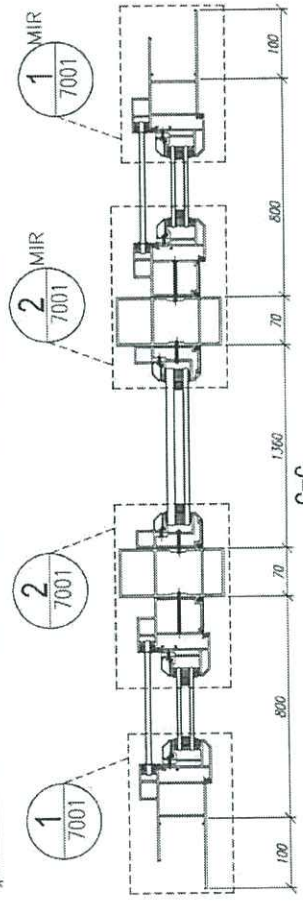
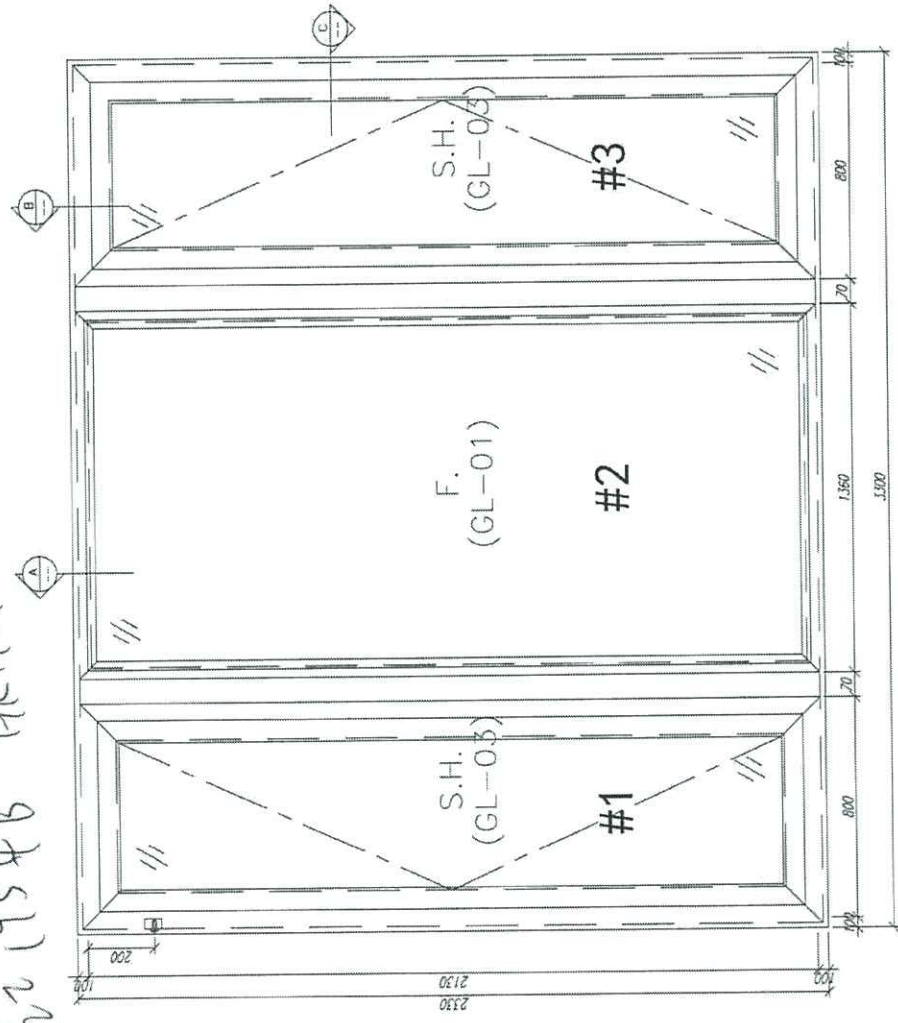
傳遞編號：

發件人簽署：

HK 153 / 20

項目經理簽署：

2021.05.18 14:14.4



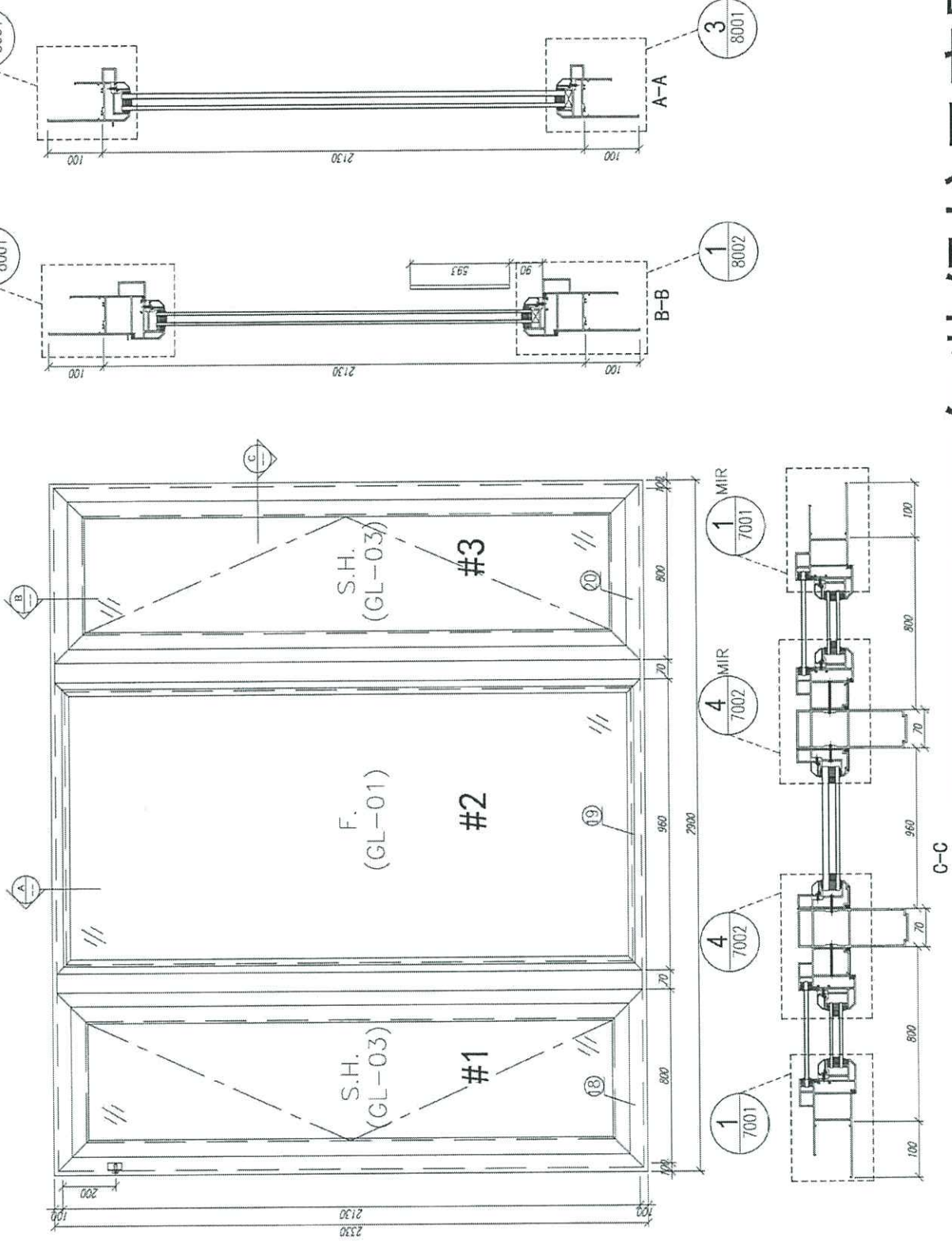
包装保护示意图

| | | | |
|----------|----------------|---------------------|------------------|
| 数量: - | 材料: | 表面处理: UCT806812XL-3 | 工程名称: 亞皆老街 / 佛沙街 |
| 制图: IVAN | 日期: 2020.07.06 | 校核: WSH | 图名: 图号: |
| | | 审核: | |
| | | Rev: | |

美特铝质有限公司
MIDI Aluminium Fabricator Ltd.

包装保护示意图

2



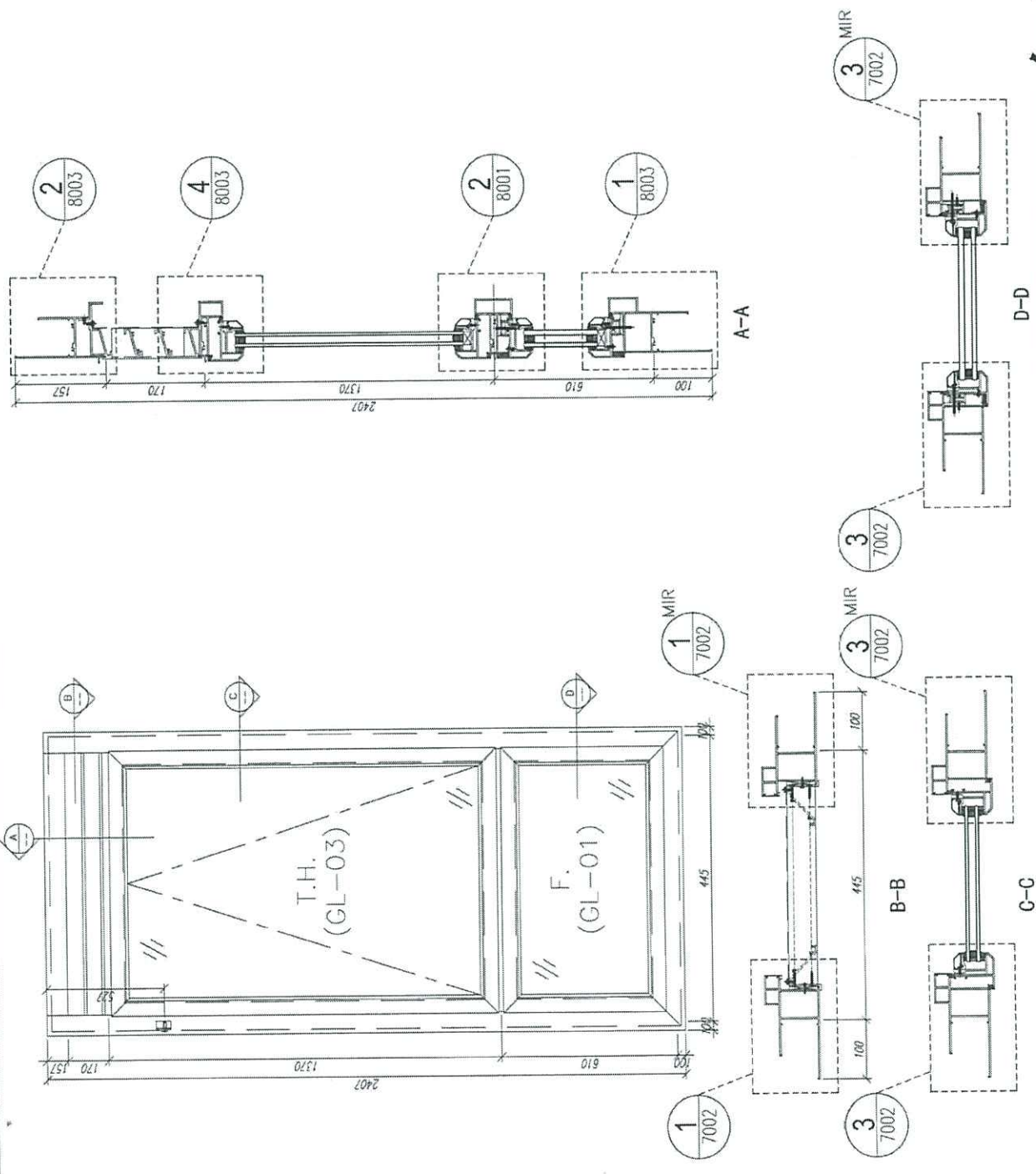
工程名称: 亞答老街 / 佛沙窗
图号:

美特铝质有限公司
MIDI Aluminium Fabricator Ltd. 图名:

表面处理: UCT806812XL-3
Rev:

数量: - 材料:
日期: 2020.07.06
审核: WSH

制图: IVAN

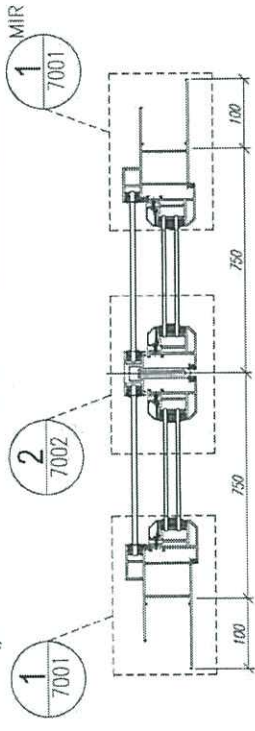
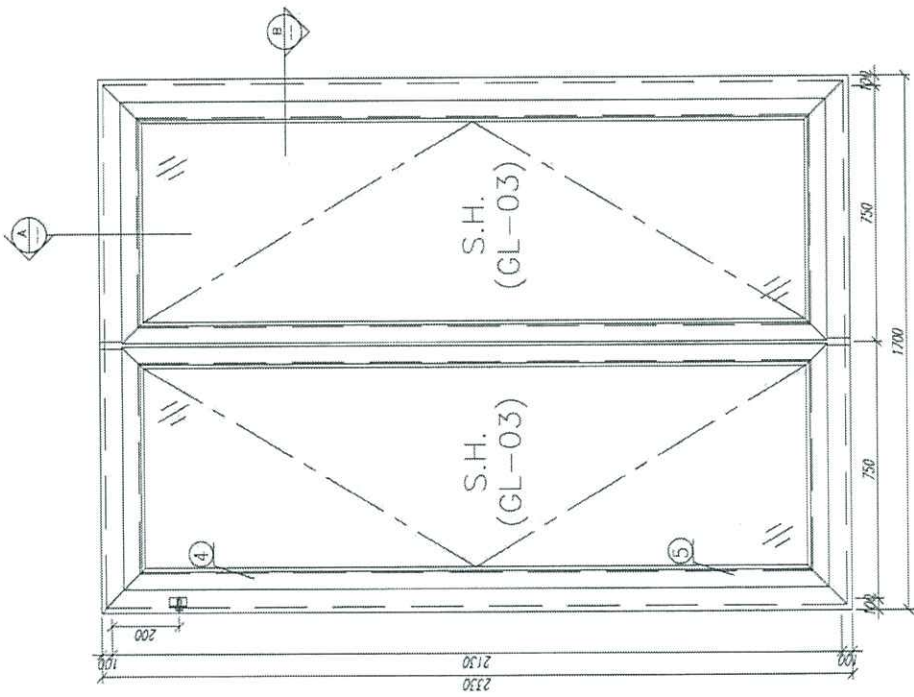
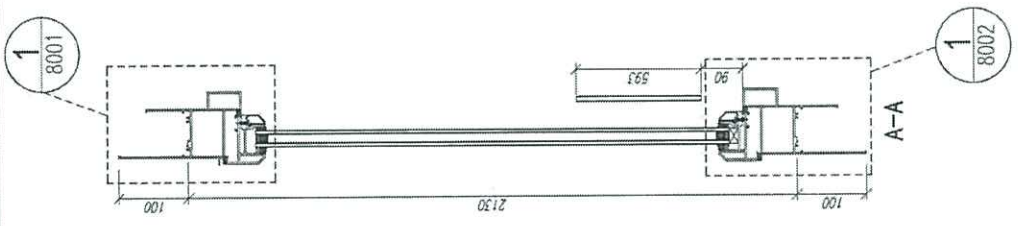


包装保护示意图

| | | | |
|----------|-------------------|------------------|------------------|
| 数量: - | 材料: UC1806812XL-3 | 表面处理: 亚磨老街 / 佛沙面 | 工程名称: 亚磨老街 / 佛沙面 |
| 制图: IVAN | 日期: 2020.07.06 | 校核: WSH | 图号: 3 |
| | | 审核: | |
| | | Rev: | |

美特铝质有限公司
MIDI Aluminium Fabricator Ltd.

包装保护示意图



B-B

| | | | |
|--|----------------|---------|---------------|
| 数量: | 材料: | 表面处理: | UCTB06812XL-3 |
| 制图: IVAN | 日期: 2020.07.06 | 校核: WSH | 审核: |
| 工程名称: 亚答老街 / 佛沙面 | | 图名: | 图号: |
|  美特铝业 有限公司 MIDI Aluminum Fabricator Ltd. | | | |

B.D. REF :

CLIENT :

ARCHITECT :



MAIN CONTRACTOR :



STRUCTURAL ENGINEER :



FRAME CONSULTANT :



NOTE:

- 1. ALL DIMENSIONS ARE IN mm.
- 2. ALL ELEVATIONS ARE EXPLODED FROM OUTSIDE.
- 3. ALL DIMENSIONS TO BE FORWARDED ON SITE BEFORE FABRICATION.

LEGEND:

- 1. DETAIL MARK NO.
- 2. REFER SHEET NO.
- 1. F.F.L. --- FINISHED FLOOR LEVEL
- 2. S.F.L. --- STRUCTURAL FLOOR LEVEL
- 3. (R) --- REVERSED DETAIL
- 4. (A) --- TRILING LOCATION
- 5. (L) --- TRILING LOC LOCATION
- 6. GAS LEGEND

- GL01 --- 12mm AIR EXCLUSIVE THK LGU
- GL02 --- 12mm AIR CAPT FROM THK LGU
- GL03 --- 12mm THK DAMPED GAS (FANDED) GLASS
- GL04 --- 12mm THK DAMPED GAS (SPRITING) BARRIER
- GL05 --- 6mm+12mm AIR CAPT FROM THK LGU

| NO. | DATE | REVISION | BY | CHKD |
|-----|------------|-------------------------------|----|------|
| 1 | 20/06/2019 | ISSUED SUBJECT TO APPROVEMENT | | |
| 2 | 20/06/2019 | ISSUED SUBJECT TO APPROVEMENT | | |
| 3 | 19/06/2019 | ISSUED SUBJECT TO APPROVEMENT | | |
| 4 | 14/07/2019 | ISSUED SUBJECT TO APPROVEMENT | | |
| 5 | 14/07/2019 | ISSUED SUBJECT TO APPROVEMENT | | |
| 6 | | | | |

SCALE: 1:2

PROPOSED RESIDENTIAL DEVELOPMENT
 AT 139 - 147 ARCYLLE STREET,
 NKH 6005, 6035 R.P., 6036 R.P.,
 6037 R.P. & 6038 R.P.

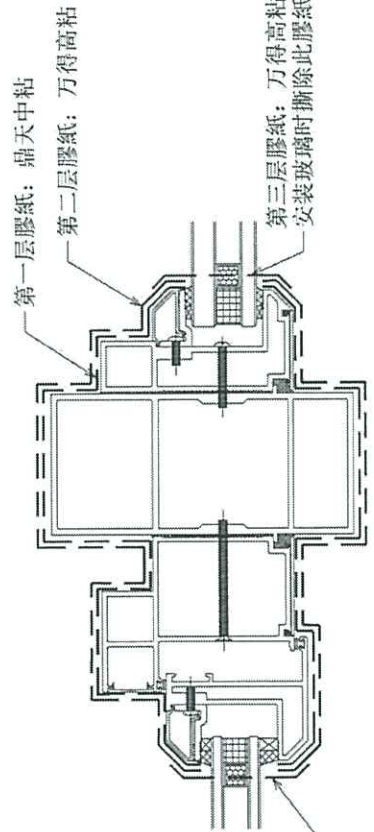
TITLE: DETAIL FOR ALUM. WINDOW

DATE: 05-Dec-19

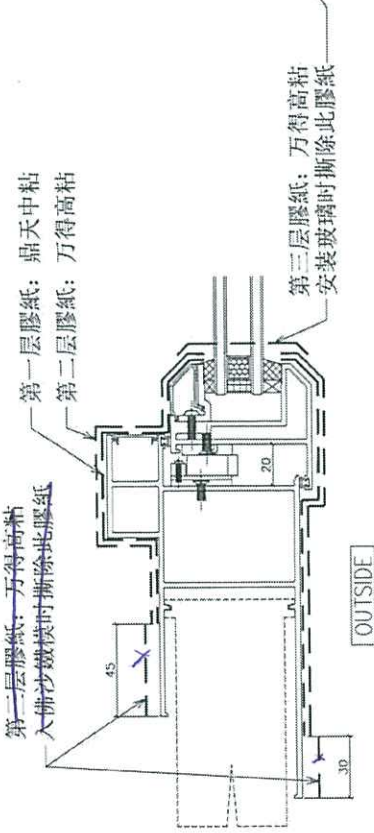
CHECKED BY: DW



PROJECT: 139-147 ARCYLLE STREET

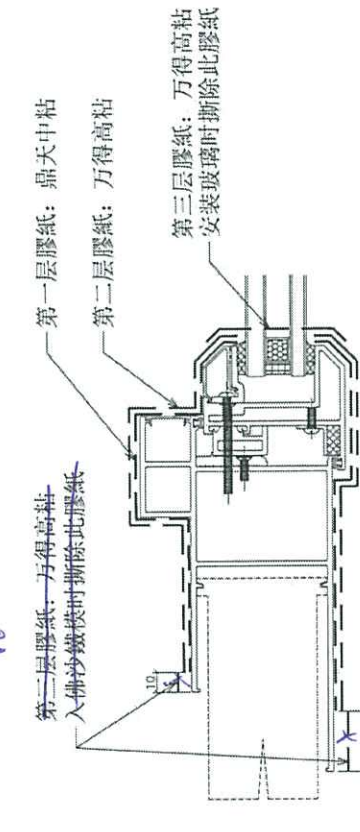


OUTSIDE
1/7001

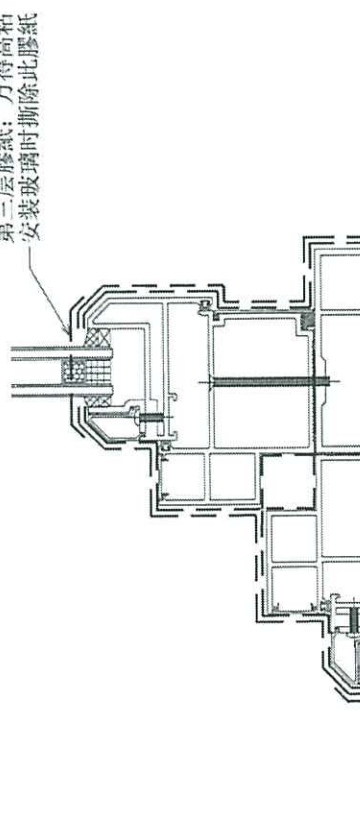


OUTSIDE
2/7001

备注



OUTSIDE
3/7001



OUTSIDE
4/7001

6

B.D. REF :

CURB :

ARCHITECT :
AGC
BETTER LTD
2/F, 100, WING LOK STREET
HONG KONG

MAIN CONTRACTOR :

Gammon
STRUCTURAL ENGINEER :

ARUP

TRACER CONSULTING
MEINHARDT

NOTE:
1. ALL DIMENSIONS ARE IN mm.
2. ALL ELEVATIONS ARE VIEWED FROM OUTSIDE.
3. ALL DIMENSIONS TO BE VERIFIED ON SITE BEFORE FABRICATION.

LEGEND:
① DETAIL MARK NO.
② REFER SHEET NO.

- 1. F.F.L. --- FINISHED FLOOR LEVEL
- 2. S.O.L. --- STRUCTURAL FLOOR LEVEL
- 3. Ⓞ --- FINISH LOCATING
- 4. --- FINISH LINE LOCATING
- 5. --- FINISH LINE LOCATING
- 6. GLASS LEAD

GL01 --- 6mm+12mm AR CAP+10mm THK. LGU
 GL02 --- 6mm THK. IMPREG. GLASS [PANELED GLASS]
 GL03 --- 10mm THK. IMPREG. GLASS [PANELED GLASS]
 GL04 --- 6mm+12mm AR CAP+6mm THK. LGU
 GL05 --- 10mm THK. IMPREG. GLASS [PANELED GLASS]
 GL06 --- 6mm+12mm AR CAP+6mm THK. LGU

| NO. | REV. | DESCRIPTION |
|-----|------------|----------------------------|
| 1 | 15/04/2018 | ISSUED SUBJECT TO APPROVAL |
| 2 | 05/05/2018 | ISSUED SUBJECT TO APPROVAL |
| 3 | 05/05/2018 | ISSUED SUBJECT TO APPROVAL |
| 4 | 05/05/2018 | ISSUED SUBJECT TO APPROVAL |
| 5 | 24/07/2018 | ISSUED SUBJECT TO APPROVAL |

JOB NO. : J-852

PROJECT :
PROPOSED RESIDENTIAL DEVELOPMENT
AT 130 - 147 ARYLE STREET,
MKRIL 6005, 6035 R.P., 6035 R.P.,
6037 R.P. & 6038 R.P.

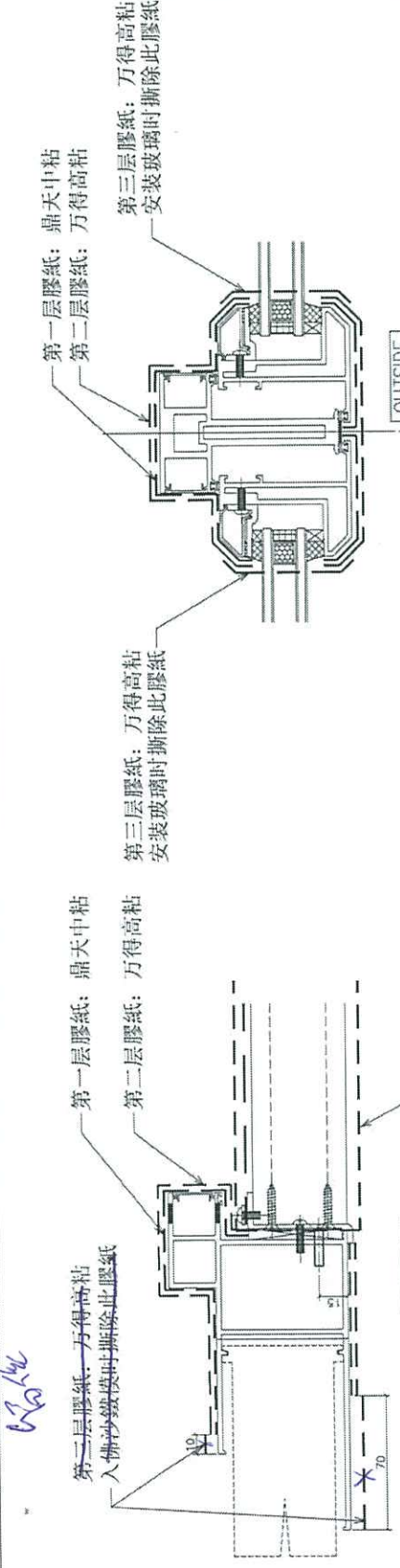
TITLE :
DETAIL FOR
ALUM. WINDOW

DATE : 05-Dec-19 SCALE : 1:2

DRAWN BY : MH CHECKED BY : DW

美特铝业有限公司
MIDI ALUMINIUM FABRICATES LTD.
Unit 6-8, Sunny Industrial Centre, 1/F
No. 10, Sunny Industrial Estate, Sunny
Road, Kowloon, Hong Kong
Tel: (852) 27272668

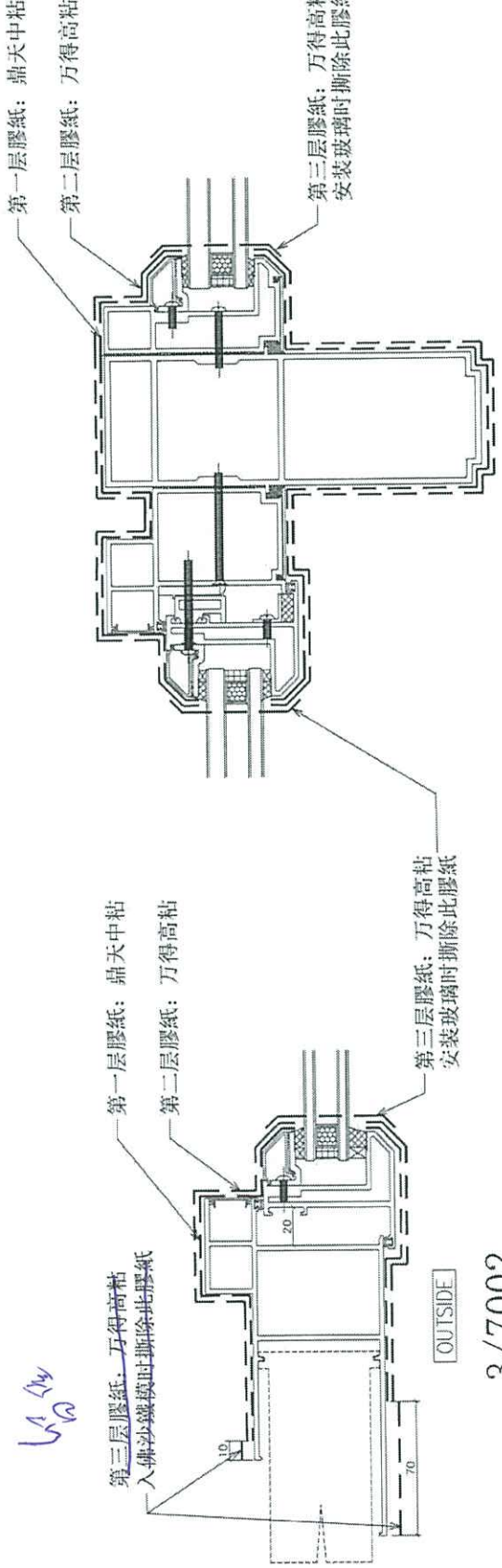
DATE NO. : J852-SD-PW-7502 REV. : -



OUTSIDE
1/7002

OUTSIDE
1/7002

OUTSIDE
1/7002



OUTSIDE
4/7002

OUTSIDE
3/7002

OUTSIDE
3/7002



B.D. REF :

CLIENT :

ARCHITECT : **AGC**
BEIWEI LTD
NO. 100, WANGJIANG ROAD
SHANGHAI, CHINA

MAIN CONTRACTOR :



STRUCTURAL ENGINEER :

ARUP

FACE CONSULTANT:



NOTE:

1. ALL DIMENSIONS ARE IN mm.
2. ALL DIMENSIONS ARE VIEWED FROM OUTSIDE.
3. ALL DIMENSIONS TO BE KEPT ON SITE BEFORE FABRICATION.

LEGEND:

- ① --- DETAIL MARK NO.
② --- REFER SHEET NO.

1. F.F.L. --- FINISHED FLOOR LEVEL
2. S.F.L. --- SOURCE FLOOR LEVEL
3. C.L. --- CENTER LINE
4. --- FINISH LOCATION
5. --- FROM USE LOCATION
6. CLASS LOGO

GL01 --- 6mm/12mm AIR GAP/12mm THK LGU
GL02 --- 6mm/6mm AIR GAP/12mm THK LGU
GL03 --- 12mm THK IMPROVED GLASS (PANDA) GLASS
GL04 --- 6mm/12mm AIR GAP/6mm THK LGU
GL05 --- 6mm/12mm AIR GAP/6mm THK LGU

| NO. | REVISION | REVISION SUBJECT | BY | DATE |
|-----|------------|-----------------------------|----|------|
| 1. | 11/09/2018 | ISSUE SUBJECT TO ADJUSTMENT | | |
| 2. | 20/09/2018 | ISSUE SUBJECT TO ADJUSTMENT | | |

JOB NO. : J-852

PROJECT :
PROPOSED RESIDENTIAL DEVELOPMENT
AT 139 - 147 ARGYLE STREET,
NHIL 6006, 6035 R.P., 6035 R.P.,
6037 R.P. & 6038 R.P.

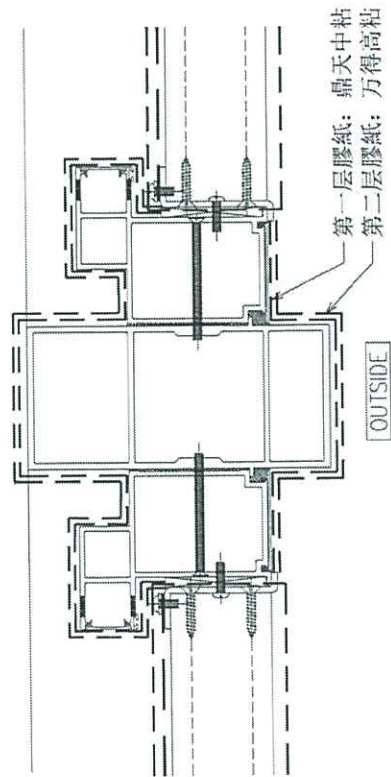
TITLE :
DETAIL FOR
ALUMI. WINDOW

DATE : 05-Dec-19 SCALE : 1:2

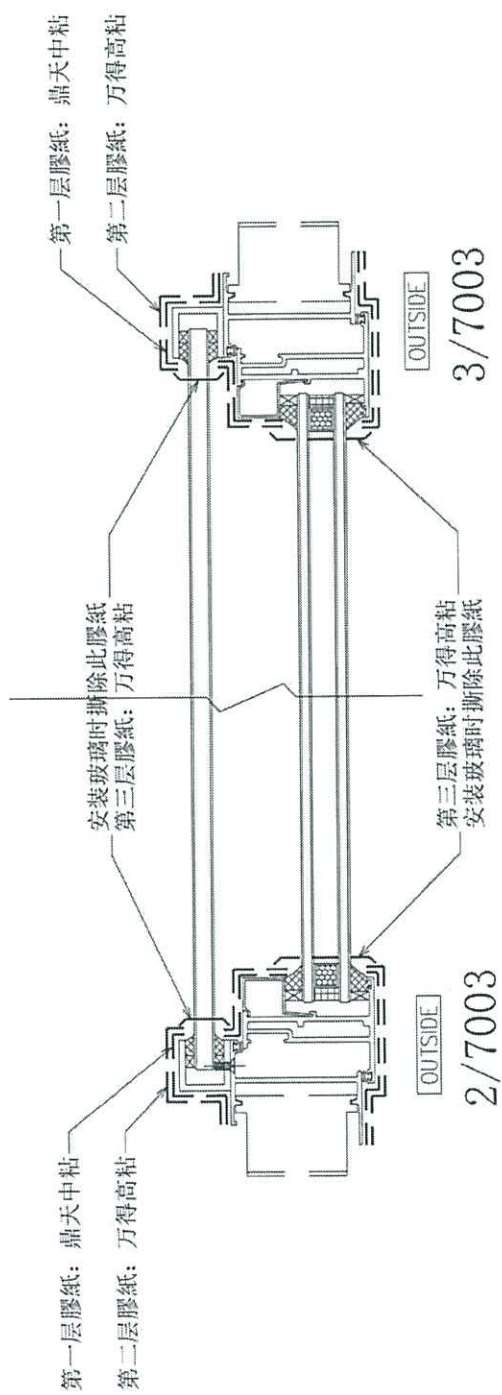
DRAWN BY : MN CHECKED BY : DW

美特铝业有限公司
MIDI ALUMINIUM INDUSTRIES LTD.
Unit 5-8, Sunny Industrial Centre, 1/F
165-168 Tai Seng Street, Singapore
Tel: (65) 63272766

DWG NO. : JBS7-SD-FW-7003 REV. : --



1/7003



8

8.0. REF :

CLIENT :

ARCHITECT : AGC SYSTEM LTD

MAIN CONTRACTOR :



STRUCTURAL ENGINEER : ARUP

FRAME CONCRETE: MEINHARDT

NOTE: 1. ALL DIMENSIONS ARE IN mm. 2. ALL ELEVATIONS ARE VIEWED FROM OUTSIDE. 3. ALL DIMENSIONS TO BE VERIFIED ON SITE BEFORE FABRICATION.

LEGEND:

- 1. F.F.L. --- FINISHED FLOOR LEVEL
2. S.U.L. --- STRUCTURAL FLOOR LEVEL
3. R.F.L. --- REFERENCE FLOOR LEVEL
4. --- REFERENCE POINT
5. --- FINISH LOC. LOCATION
6. --- FINISH LOC. LOCATION
7. --- FINISH LOC. LOCATION
8. --- FINISH LOC. LOCATION

Q01 --- 8mm 12mm AGC OPTI-TECH BK. LGU
Q02 --- 8mm 12mm AGC OPTI-TECH BK. LGU
Q03 --- 6mm 12mm AGC OPTI-TECH BK. LGU
Q04 --- 6mm BK. IMPROVED GLASS (PHOENIX BORER)
Q05 --- 6mm 12mm AGC OPTI-TECH BK. LGU

Table with 2 columns: No. and Description. Rows include 1. 14/02/2020, 2. 04/02/2020, 3. 05/02/2020, 4. 05/02/2020, 5. 24/02/2020.

PROPOSED RESIDENTIAL DEVELOPMENT
AT 139 - 147 ARGYLE STREET,
MKH 6005, 6035 R.P., 6036 R.P.,
6037 R.P. & 6038 R.P.

TITLE: DETAIL FOR ALUM. WINDOW

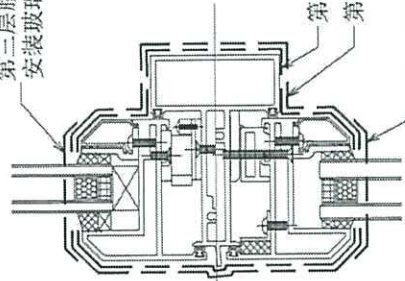
DATE: 05-Dec-19 SCALE: 1:2

DRAWN BY: MN CHECKED BY: DW

美特铝窗有限公司
MIDI ALUMINUM WINDOW MANUFACTURERS LTD
Units 8-9, Sunny Industrial Court, 1/F
142A-142B, 142C, 142D, 142E, 142F, 142G, 142H, 142I, 142J, 142K, 142L, 142M, 142N, 142O, 142P, 142Q, 142R, 142S, 142T, 142U, 142V, 142W, 142X, 142Y, 142Z

REV: -

第三层胶纸: 万得高粘
安装玻璃时撕除此胶纸



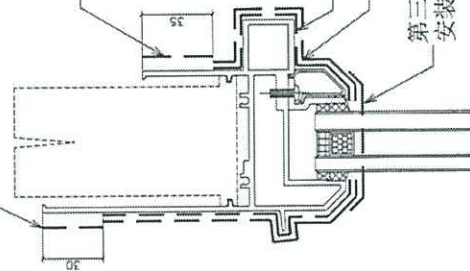
OUTSIDE 2/8001

第一层胶纸: 鼎天中粘
第二层胶纸: 万得高粘

第三层胶纸: 万得高粘
安装玻璃时撕除此胶纸

第三层胶纸: 万得高粘
入佛沙镀膜时撕除此胶纸

第三层胶纸: 万得高粘
入佛沙镀膜时撕除此胶纸

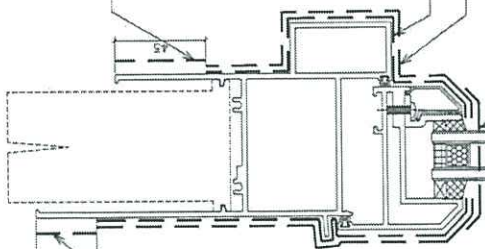


OUTSIDE 4/8001

第一层胶纸: 鼎天中粘
第二层胶纸: 万得高粘

第三层胶纸: 万得高粘
安装玻璃时撕除此胶纸

第三层胶纸: 万得高粘
入佛沙镀膜时撕除此胶纸

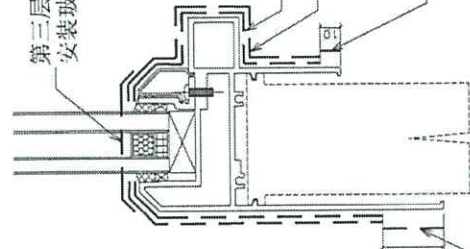


OUTSIDE 1/8001

第一层胶纸: 鼎天中粘
第二层胶纸: 万得高粘

第三层胶纸: 万得高粘
安装玻璃时撕除此胶纸

第三层胶纸: 万得高粘
安装玻璃时撕除此胶纸



OUTSIDE 3/8001

第一层胶纸: 鼎天中粘
第二层胶纸: 万得高粘

第三层胶纸: 万得高粘
入佛沙镀膜时撕除此胶纸

第三层胶纸: 万得高粘
入佛沙镀膜时撕除此胶纸



R.D. REF :

CUSTOM :

ARCHITECT : **AGC**
RETIRED

MAIN CONTRACTOR : **Gammon**

STRUCTURAL ENGINEER : **ARUP**

FAÇADE CONSULTANT : **MEINHARDT**

NOTE:
1. ALL DIMENSIONS ARE IN mm.
2. ALL ELEVATIONS ARE VIEWED FROM OUTSIDE.
3. ALL DIMENSIONS TO BE CHECKED ON SITE BEFORE FABRICATION.

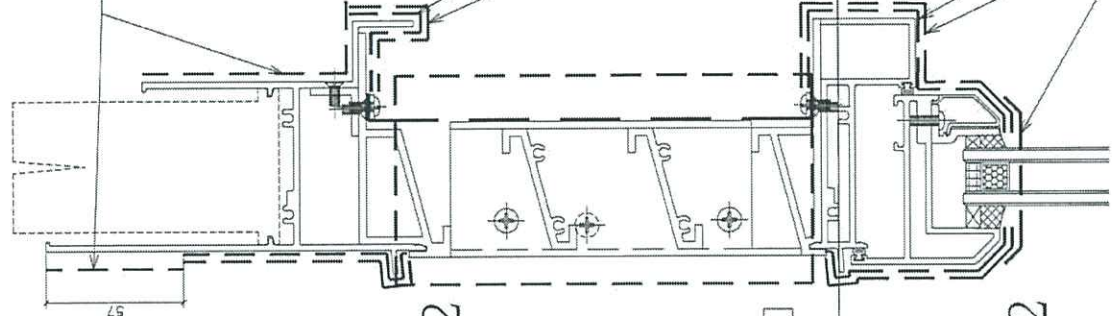
LEGEND:
DETAIL MARK NO.
REFER SHEET NO.
1. FEEL -- FINISHED FLOOR LEVEL
2. SEL -- STRUCTURAL FLOOR LEVEL
3. (P) -- REVERSED DETAIL
4. A -- FINING LOCATION
5. Δ -- FINING LOC. LOCATION
6. GASS LEGEND
G01 -- Glass Unit
G01a -- 6mm+12mm AIR CAP+6mm BK GLU
G02 -- 6mm+12mm AIR CAP+6mm BK GLU
G03 -- 6mm+12mm AIR CAP+6mm BK GLU
G04 -- 6mm+12mm AIR CAP+6mm BK GLU
G05 -- 6mm+12mm AIR CAP+6mm BK GLU

| | | | |
|---|------------|------------------------------|-----|
| 1 | 14/04/2020 | REVISION SUBJECT TO APPROVAL | REV |
| 2 | 15/04/2020 | REVISION SUBJECT TO APPROVAL | REV |
| 3 | 16/04/2020 | REVISION SUBJECT TO APPROVAL | REV |
| 4 | 17/04/2020 | REVISION SUBJECT TO APPROVAL | REV |
| 5 | 18/04/2020 | REVISION SUBJECT TO APPROVAL | REV |
| 6 | 19/04/2020 | REVISION SUBJECT TO APPROVAL | REV |

JOB NO. : J-852
PROJECT : PROPOSED RESIDENTIAL DEVELOPMENT
AT 139 - 147 ANGLE STREET,
HKL 6005, 6035 R.P., 6036 R.P.,
6037 R.P. & 6038 R.P.
TITLE : DETAIL FOR
ALUM. WINDOW

DATE : 05-Dec-19 SCALE : 1:2
DRAWN BY : JMN CHECKED BY : DW
美特铝质有限公司
M.T.D. Aluminium Fabricator Ltd.
510 Che Kwo Ling Road, Kwun Tong,
Kowloon, HONG KONG
TEL: (852) 27777656
DWC No. : J852-5D-PW-0102 REV. : --

留位
第三层膠紙: 万得高粘
入佛沙鐵模时撕除此膠紙

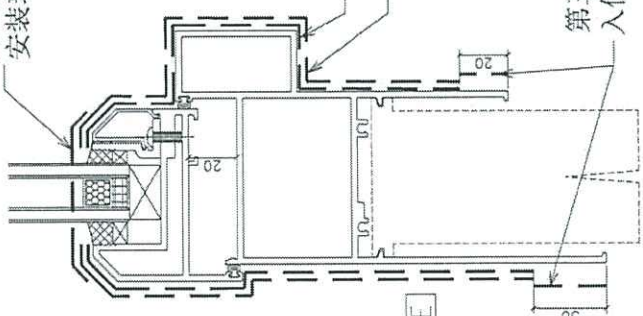


2/8002

OUTSIDE

3/8002

第三层膠紙: 万得高粘
安装玻璃时撕除此膠紙



OUTSIDE

1/8002

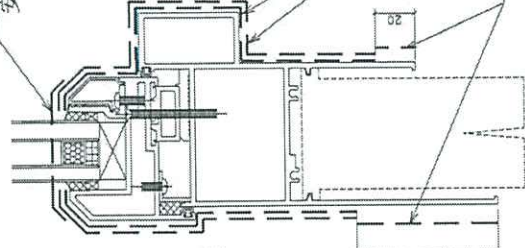
第三层膠紙: 万得高粘
入佛沙鐵模时撕除此膠紙

第一层膠紙: 鼎天中粘
第二层膠紙: 万得高粘

第一层膠紙: 鼎天中粘
第二层膠紙: 万得高粘
第三层膠紙: 万得高粘
安装玻璃时撕除此膠紙

10

第三层膠紙: 万得高粘
安装玻璃时撕除此膠紙



OUTSIDE

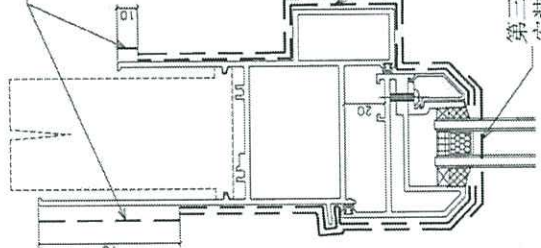
1/8003

第一层膠紙: 鼎天中粘
第二层膠紙: 万得高粘

入佛沙鐵模时撕除此膠紙
第三层膠紙: 万得高粘

留位

第三层膠紙: 万得高粘
入佛沙鐵模时撕除此膠紙



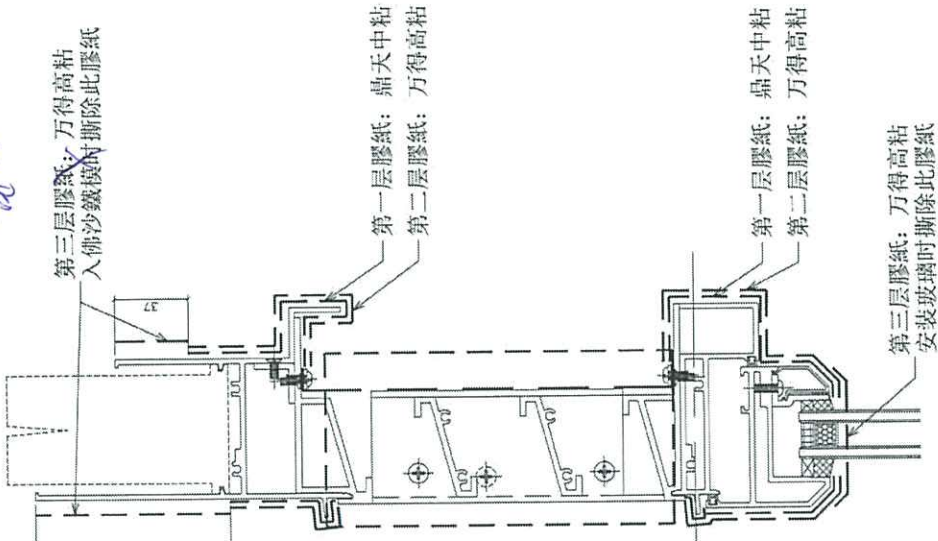
OUTSIDE

3/8003

第一层膠紙: 鼎天中粘
第二层膠紙: 万得高粘

第三层膠紙: 万得高粘
安装玻璃时撕除此膠紙

留位



OUTSIDE

2/8003

第三层膠紙: 万得高粘
入佛沙鐵模时撕除此膠紙

第一层膠紙: 鼎天中粘
第二层膠紙: 万得高粘

第一层膠紙: 鼎天中粘
第二层膠紙: 万得高粘

第三层膠紙: 万得高粘
安装玻璃时撕除此膠紙

留位

NO. 857

CLIENT :

ARCHITECT :
AGC
RETIRED LTD
2/F, 280, WING LOK STREET
HONG KONG

MAIN CONTRACTOR :

Gammon

STRUCTURAL ENGINEER :

ARUP

FAÇADE CONSULTANT:

MEYHARDT

NOTE :

1. ALL DIMENSIONS ARE IN MM.
2. ALL ELEVATIONS ARE VIEWED FROM OUTSIDE.
3. ALL DIMENSIONS TO BE VERIFIED ON SITE BEFORE FABRICATION.

LEGEND :

(1) - DETAIL MARK NO.
(2) - REFER SHEET NO.

1. FFL - FINISHED FLOOR LEVEL
 2. FL - FINISHED FLOOR LEVEL
 3. - - - - - PROPOSED FINISH
 4. - - - - - FINISH LOCATION
 5. - - - - - FINISH LOC LOCATION
 6. GLASS LEAD
- GLU1 - 3mm x 12mm MS CAP 12mm THK. (CU)
GLU2 - 3mm x 12mm MS CAP 12mm THK. (CU)
GLU3 - 3mm x 12mm MS CAP 12mm THK. (CU)
GLU4 - 3mm x 12mm MS CAP 12mm THK. (CU)
GLU5 - 3mm x 12mm MS CAP 12mm THK. (CU)

| NO. | REV. | DESCRIPTION |
|-----|------|-------------------|
| 1 | | ISSUED FOR PERMIT |
| 2 | | ISSUED FOR PERMIT |
| 3 | | ISSUED FOR PERMIT |

JOB NO. : J-852

PROJECT :
PROPOSED RESIDENTIAL DEVELOPMENT
AT 139 - 147 ARROYO STREET,
NHK 6005, 6035 R.P., 6036 R.P.,
6037 R.P. & 6038 R.P.

DATE : 05-Dec-19 SCALE : 1:2

DRAWN BY : MN CHECKED BY : DW

美特銘實有限公司
MIDI ADVANCED RESISTANCE LTD.
1/F, 2/F, 3/F, 4/F, 5/F, 6/F, 7/F, 8/F, 9/F, 10/F, 11/F, 12/F, 13/F, 14/F, 15/F, 16/F, 17/F, 18/F, 19/F, 20/F, 21/F, 22/F, 23/F, 24/F, 25/F, 26/F, 27/F, 28/F, 29/F, 30/F, 31/F, 32/F, 33/F, 34/F, 35/F, 36/F, 37/F, 38/F, 39/F, 40/F, 41/F, 42/F, 43/F, 44/F, 45/F, 46/F, 47/F, 48/F, 49/F, 50/F, 51/F, 52/F, 53/F, 54/F, 55/F, 56/F, 57/F, 58/F, 59/F, 60/F, 61/F, 62/F, 63/F, 64/F, 65/F, 66/F, 67/F, 68/F, 69/F, 70/F, 71/F, 72/F, 73/F, 74/F, 75/F, 76/F, 77/F, 78/F, 79/F, 80/F, 81/F, 82/F, 83/F, 84/F, 85/F, 86/F, 87/F, 88/F, 89/F, 90/F, 91/F, 92/F, 93/F, 94/F, 95/F, 96/F, 97/F, 98/F, 99/F, 100/F

ENC NO. : J852-SD-PW-8003 RSJ : -

11

B.D. REF :

CLIENT :

ARCHITECT :
AGC
TETTER LTD
2/F, 100, WING LOK STREET
HONG KONG

MAIN CONTRACTOR :



STRUCTURAL ENGINEER :
ARUP

FAÇADE CONSULTANT :



NOTE :

1. ALL DIMENSIONS ARE IN mm
2. ALL DIMENSIONS ARE VIEWED FROM OUTSIDE.
3. ALL DIMENSIONS TO BE CHECKED ON SITE BEFORE FABRICATION.

LEGEND :

○ --- DETAIL MARK NO.
--- REFER SHEET NO.

1. FFL --- FINISHED FLOOR LEVEL.
 2. SFL --- STRUCTURAL FLOOR LEVEL.
 3. --- ALIGNED JOINT.
 4. --- JOINT LOCATION.
 5. --- DRWG LOC. LOCATION.
 6. CLASS LEGEND
- G101 --- 8mm x 12mm AIR CAP x 12mm THK. LGU.
 G201 --- 8mm x 8mm AIR CAP x 12mm THK. LGU.
 G301 --- 8mm THK. IMPREG. GUS. SPANGLER GLASS.
 G401 --- 8mm THK. AIR CAP x 15mm THK. LGU.
 G404 --- 10mm THK. IMPREG. GUS. (PROVIDE BARRIER)
 G405 --- 8mm x 12mm AIR CAP x 8mm THK. LGU.

| NO. | REV. | DESCRIPTION |
|-----|-------------|--------------------------------|
| 1 | 1/0/20/2019 | PERSON SUBJECT TO MODIFICATION |
| 2 | 2/0/20/2019 | PERSON SUBJECT TO MODIFICATION |
| 3 | 3/0/20/2019 | PERSON SUBJECT TO MODIFICATION |
| 4 | 4/0/20/2019 | PERSON SUBJECT TO MODIFICATION |

JOB NO. : J-852

PROJECT :
PROPOSED RESIDENTIAL DEVELOPMENT
AT 139 - 147 ARROYO STREET,
NHK EDOSS, 6035 R.P., 6036 R.P.,
6037 R.P. & 6038 R.P.

TITLE :
DETAIL FOR
ALUM. WINDOW

DATE : 05-Dec-19 | SCALE : 1:2

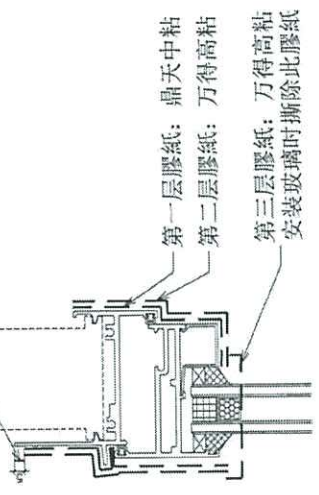
DRAWN BY : JMH | CHECKED BY : DW

美特鋁質有限公司
MIDI ALUMINIUM FABRICATORS LTD.
Unit 6-B, Sunny Industrial Centre, 1/F
100, WING LOK STREET, HONG KONG
TEL: (852) 2727866
FAX: (852) 2727866
WWW.MIDI-ALUMINIUM.COM

DWG NO. : JMS2-SD-PW-8004 | REV. : -

3/0/19

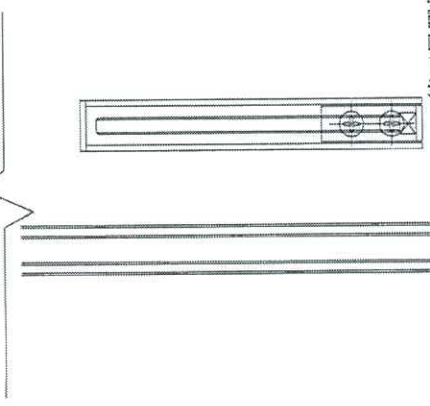
第三层膠紙：万得高粘
入佛沙鐵模時撕除此膠紙



OUTSIDE

1/8004

第一层膠紙：鼎天中粘
第二层膠紙：万得高粘
第三层膠紙：万得高粘
安裝玻璃時撕除此膠紙



OUTSIDE

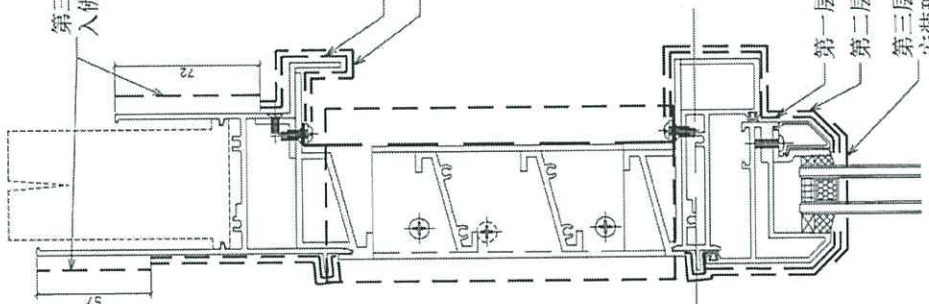
3/8004

第三层膠紙：万得高粘
安裝玻璃時撕除此膠紙
第一层膠紙：鼎天中粘
第二层膠紙：万得高粘

第三层膠紙：万得高粘
入佛沙鐵模時撕除此膠紙

3/0/19

第三层膠紙：万得高粘
入佛沙鐵模時撕除此膠紙



OUTSIDE

2/8004

第一层膠紙：鼎天中粘
第二层膠紙：万得高粘

OUTSIDE

4/8004

第一层膠紙：鼎天中粘
第二层膠紙：万得高粘
第三层膠紙：万得高粘
安裝玻璃時撕除此膠紙

10