



工程指示編號：EI / 1954 / 20

修改版次：B

工程編號：J - 852

工程名稱：亞皆老街中電

工程項目：佛沙窗 - 保護方案 和膠蓋

收件人：生統 / 王良

發件人：Bessie Lau

日期：13/07/2020

要求提供 / 確認 事項：

- | | | |
|------------------------------------|-------------------------------------|-------------------------------|
| <input type="checkbox"/> 初步鋁料 B.M. | <input type="checkbox"/> 加工拆圖，然後生產 | <input type="checkbox"/> 尺寸表 |
| <input type="checkbox"/> 正式鋁料 B.M. | <input type="checkbox"/> 技術上資料 / 指示 | <input type="checkbox"/> 報價 |
| <input type="checkbox"/> 配件 B.M. | <input type="checkbox"/> 樣辦或貨品說明書 | <input type="checkbox"/> 分判合約 |
| <input type="checkbox"/> 其他：_____ | | |

內容：

請按 J852 佛沙窗保護方案包裝。

注意：窗底要加膠蓋，企身也要加膠蓋

：膠紙和膠紙重疊位置要加皺紋膠紙

按廠回覆：木方是取消，因會有蟲蛀

謝謝

請在 2020.07.14 前完成上列要求。

附有關圖紙 / 文件：

以上項目為：

- 原合約工程包 原合約工程加 / 減賬 新工程報價

原因：-

分發東莞各部門：

- () 生產技術總監 連附件 () 技術部 連附件 () 生產部 連附件 () 機械設計部 連附件
 () 採購部 連附件 () 生產統籌部 連附件
 () 質檢部 連附件 () 會計部 連附件 () 報關組 連附件 () 其他 _____ 連附件

分發其他分判：

- (v) 水洪 連附件

分發香港各部門：

- () 行政部 連附件 () 會計部 連附件 () 統籌部 連附件 () 工程部地盤科文 連附件
 () 採購部 連附件 () QS 部 連附件 () 維修部 連附件 () 其他 _____ 連附件

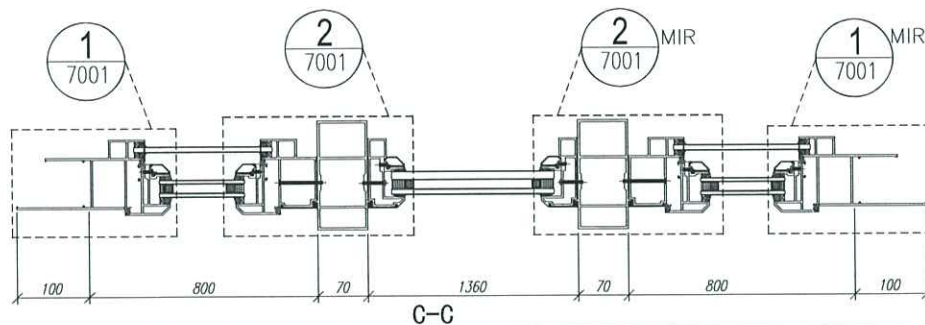
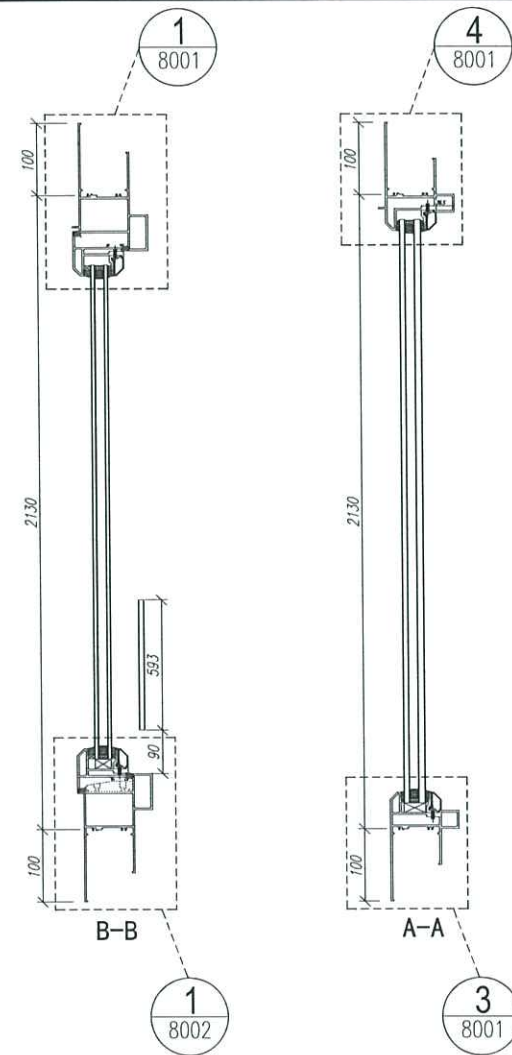
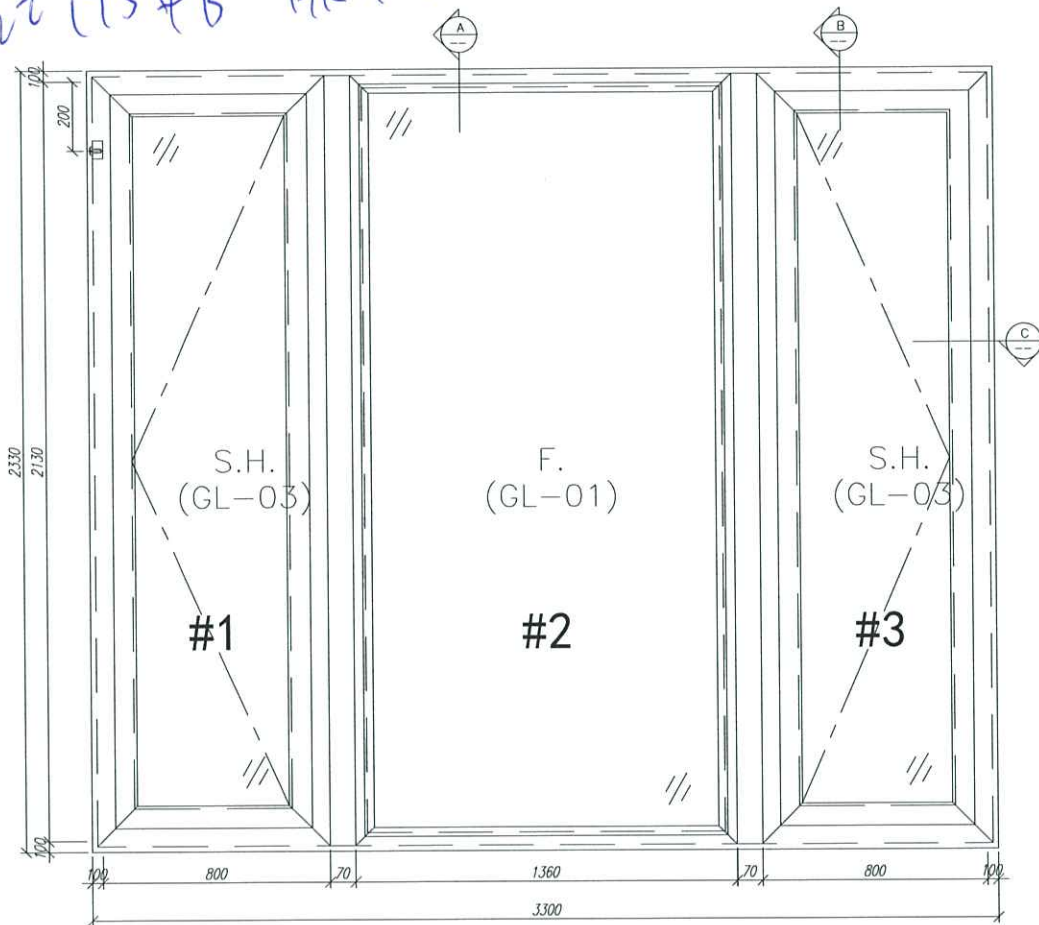
傳遞編號：

HK 1404 / 20

發件人簽署：

項目經理簽署：

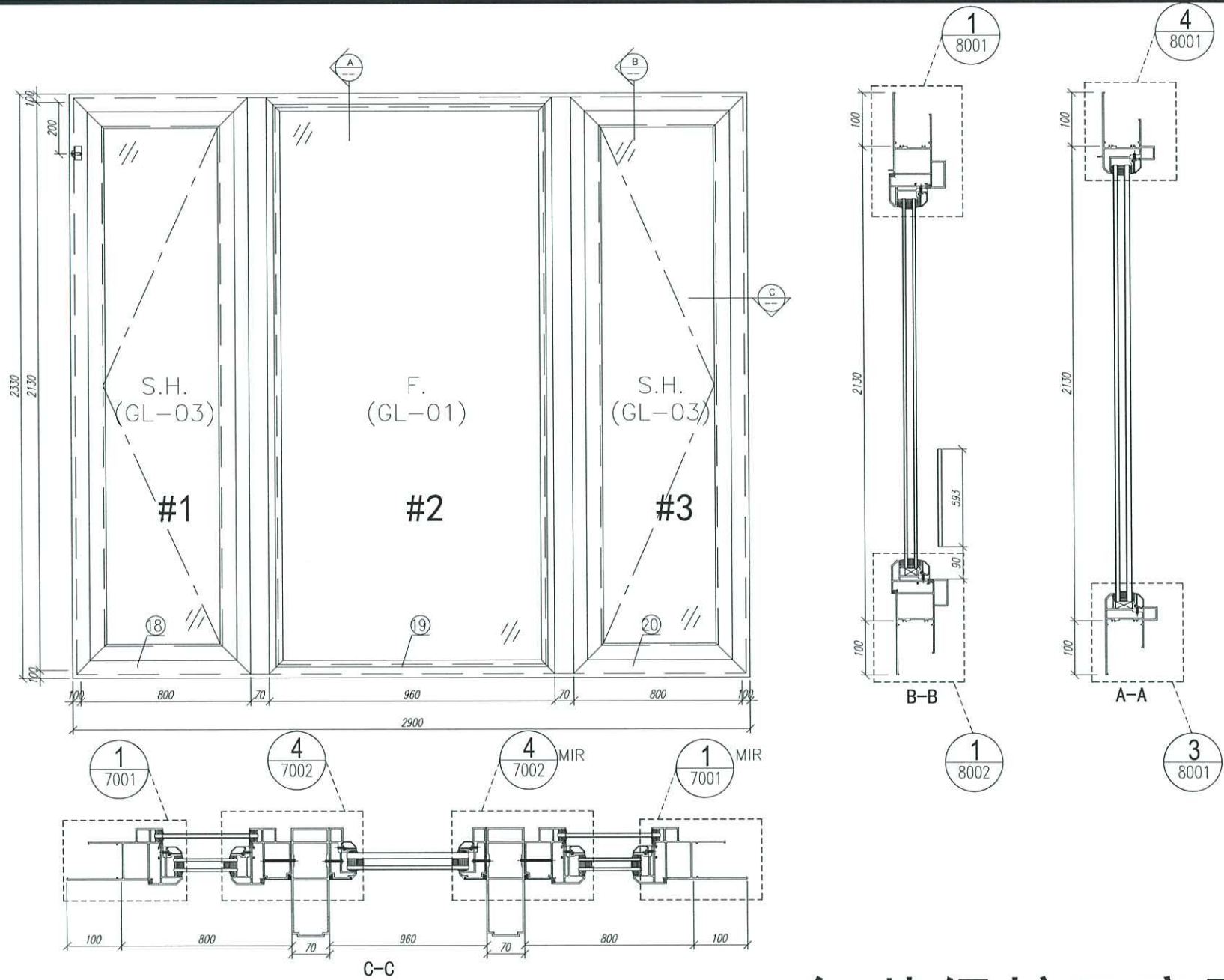
手 1954B HK1404



数量: -	材料:	表面处理: UCT806812XL-3	美特铝质有限公司 MIDI Aluminium Fabricator Ltd.	工程名称: 亞皆老街 / 佛沙窗
制图: IVAN	日期: 2020.07.06	校核: WSH		审核:

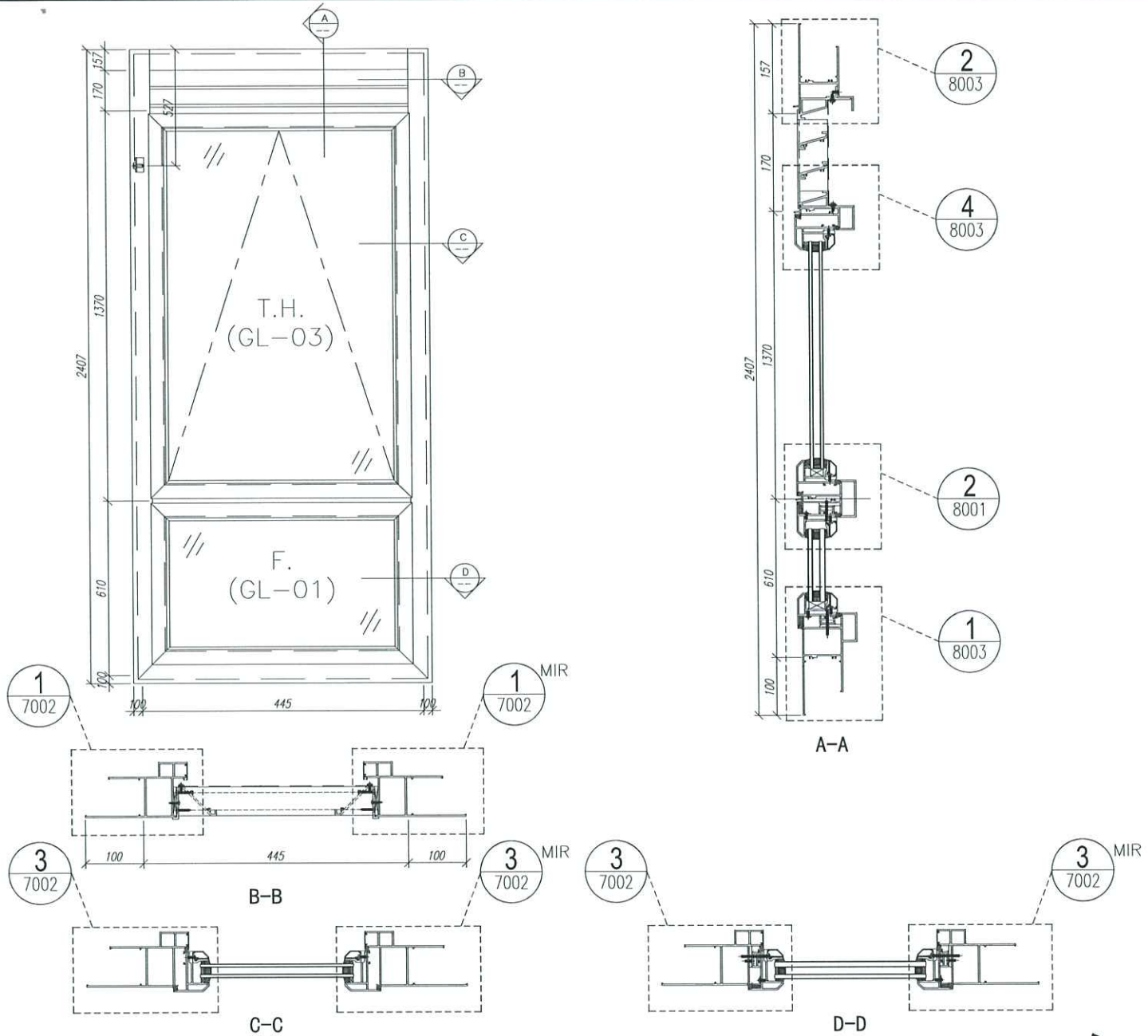
包装保护示意图

①



数量: -	材料:	表面处理: UCT806812XL-3	 美特铝质有限公司 MIDI Aluminium Fabricator Ltd.	工程名称: 亞皆老街 / 佛沙窗
制图: IVAN	日期: 2020.07.06	校核: WSH		审核:

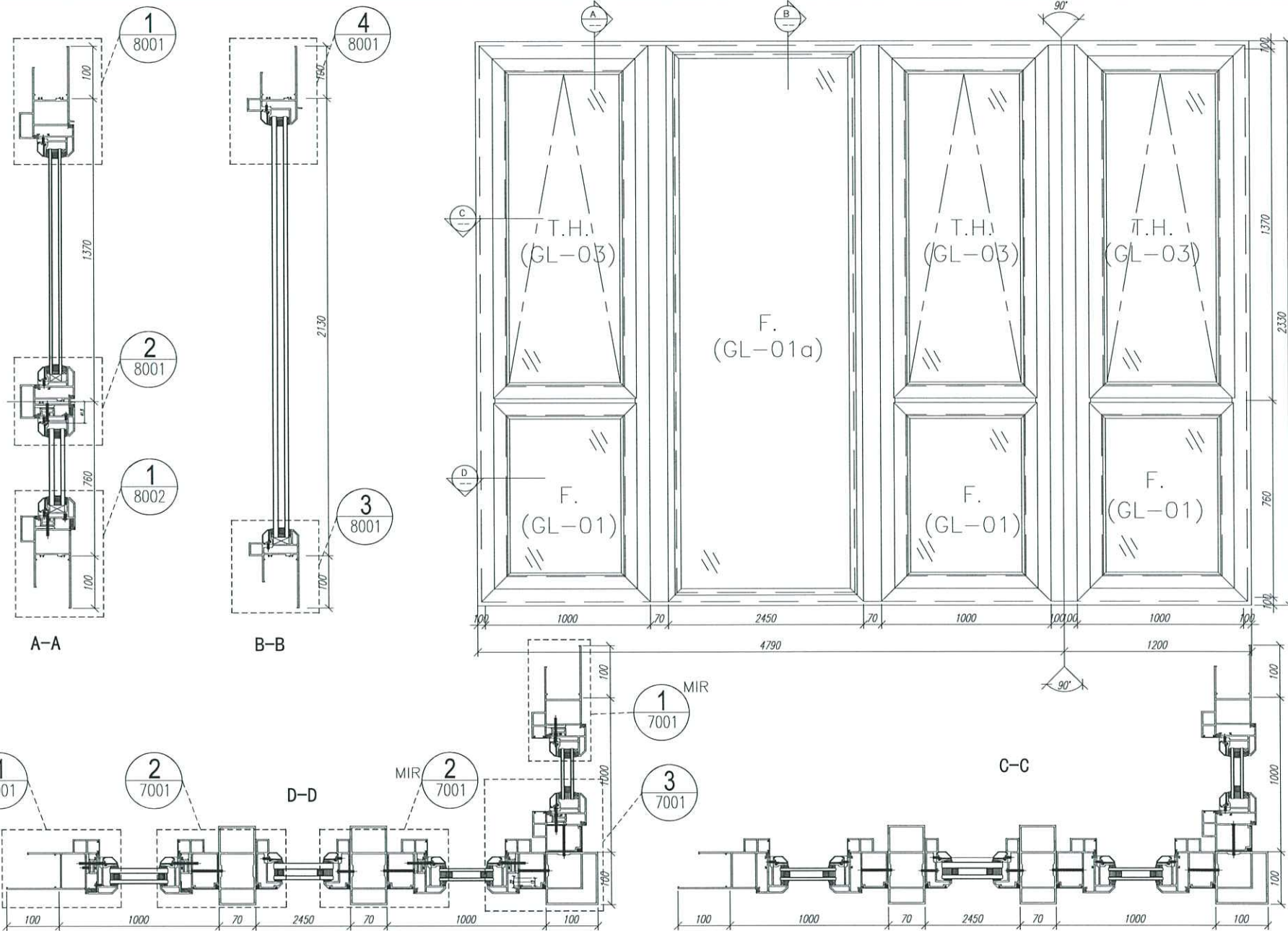
包装保护示意图



数量: -	材料:	表面处理: UCT806812XL-3	 美特铝质有限公司 MIDI Aluminium Fabricator Ltd.	工程名称: 亞皆老街 / 佛沙窗
制图: IVAN	日期: 2020.07.06	校核: WSH		审核:

包装保护示意图

3

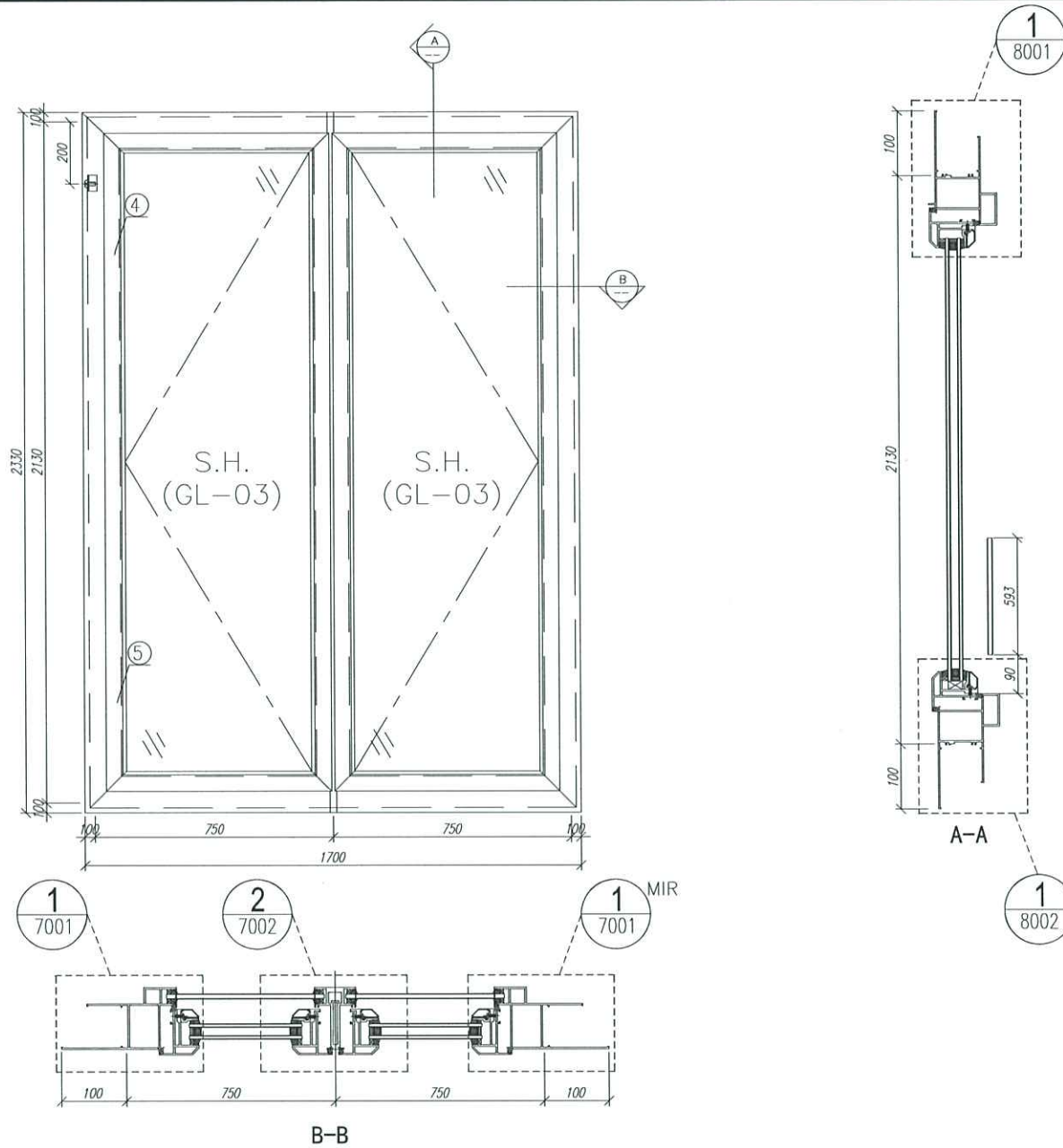


数量: 材料: 详见本图附表 表面处理: UCT806812XL-3
 制图: 郭上军 日期: 2020.07.06 审核: WSH 审核: Rev:

美特铝质有限公司
 MIDI Aluminium Fabricator Ltd.

工程名称: 亞皆老街 / 佛沙窗
 图名: W3/T3A組裝圖 图号: W3/T3A(1F~3F)

包装保护示意图

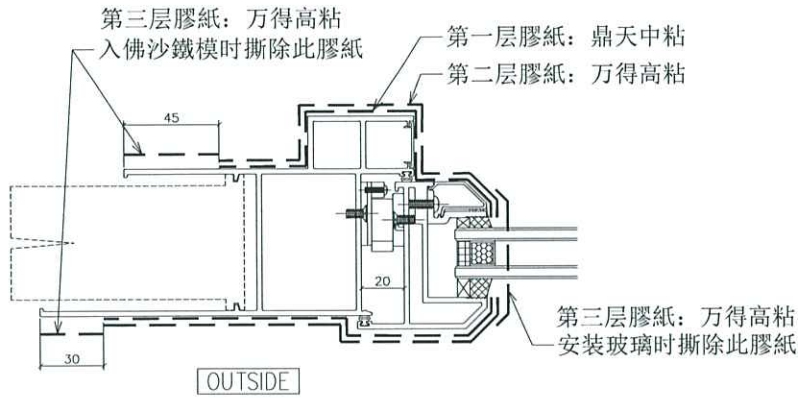


数量:	材料:	表面处理: UCT806812XL-3
制图: IVAN	日期: 2020.07.06	校核: WSH
审核:	Rev:	

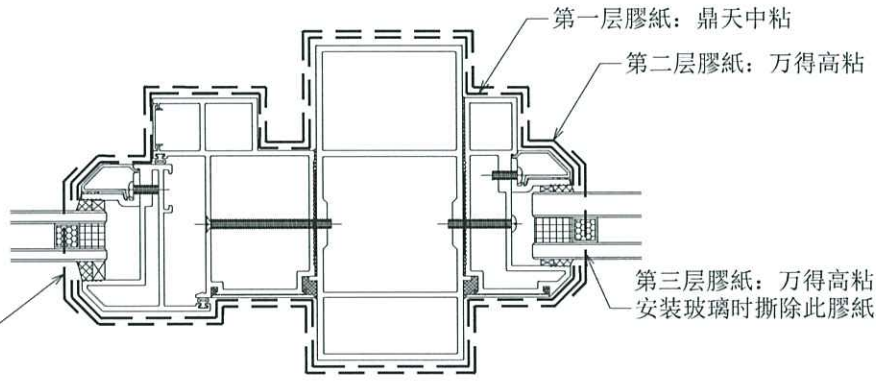

 美特铝质有限公司
 MIDI Aluminium Fabricator Ltd.

工程名称: 亞皆老街 / 佛沙窗
图名: 图号:

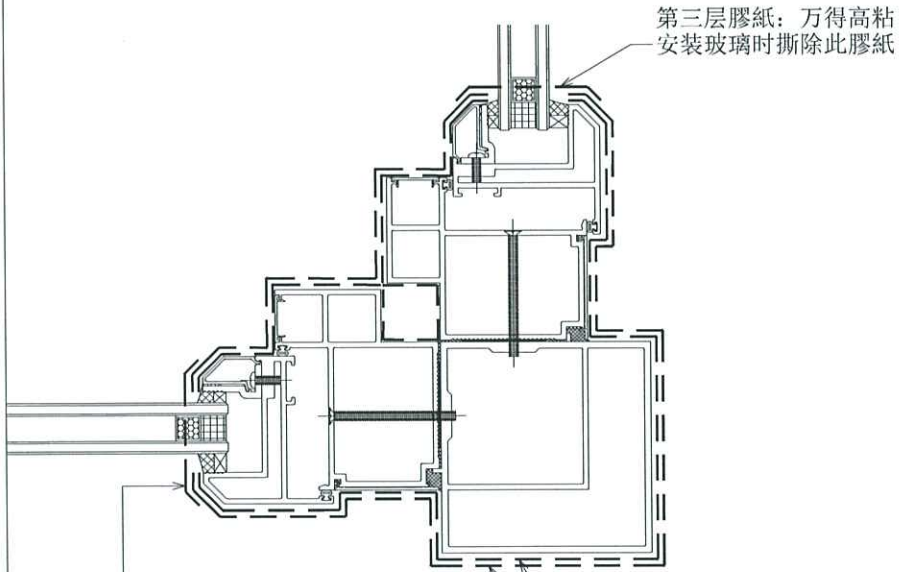
包装保护示意图



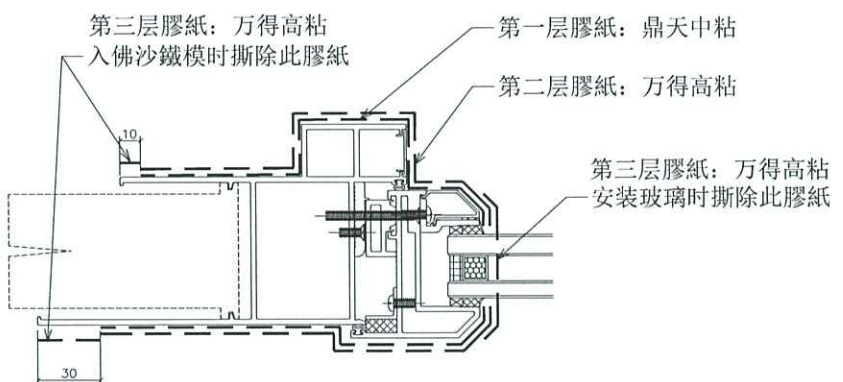
OUTSIDE
1/7001



OUTSIDE
2/7001



OUTSIDE
3/7001



OUTSIDE
4/7001

B.D. REF :
CLIENT :

ARCHITECT :
AGC DESIGN LTD

MAIN CONTRACTOR :
Gammon

STRUCTURAL ENGINEER :
ARUP

FACADE CONSULTANT:
MEINHARDT

NOTE:
1. ALL DIMENSIONS ARE IN mm.
2. ALL ELEVATIONS ARE VIEWED FROM OUTSIDE.
3. ALL DIMENSIONS TO BE VERIFIED ON SITE BEFORE FABRICATION.

LEGEND :
① -- DETAIL MARK NO.
② -- REFER SHEET NO.
1. F.F.L. -- FINISHED FLOOR LEVEL
2. S.F.L. -- STRUCTURAL FLOOR LEVEL
3. (R) -- REVERSED DETAIL
4. ▲ -- FIXING LOCATION
5. △ -- FIXING LUG LOCATION
6. GLASS LEGEND
GL01 -- 6mm+12mm AIR GAP+10mm THK. I.G.U.
GL02 -- 6mm+9mm AIR GAP+12mm THK. I.G.U.
GL03 -- 10mm THK. TEMPERED GLASS (SPARKLE GLASS)
GL04 -- 6mm+12mm AIR GAP+6mm THK. I.G.U.
GL05 -- 10mm THK. TEMPERED GLASS (PROTECTIVE GLASS)
GL06 -- 6mm+12mm AIR GAP+8mm THK. I.G.U.

NO.	DATE	REVISION	SUBJECT TO ARCH/COMMENT	BY
E	30/05/2020	REVISION	SUBJECT TO ARCH/COMMENT	vat
D	30/05/2020	REVISION	SUBJECT TO ARCH/COMMENT	vat
C	09/05/2020	REVISION	SUBJECT TO ARCH/COMMENT	vat
B	03/03/2020	REVISION	SUBJECT TO ARCH/COMMENT	vat
A	24/02/2020	REVISION	SUBJECT TO ARCH/COMMENT	SH

JOB NO. : J-852
PROJECT :
PROPOSED RESIDENTIAL DEVELOPMENT
AT 139 - 147 ARGYLE STREET,
NKIL 6005, 6035 R.P., 6036 R.P.,
6037 R.P. & 6038 R.P.

TITLE :
DETAIL FOR
ALUM. WINDOW

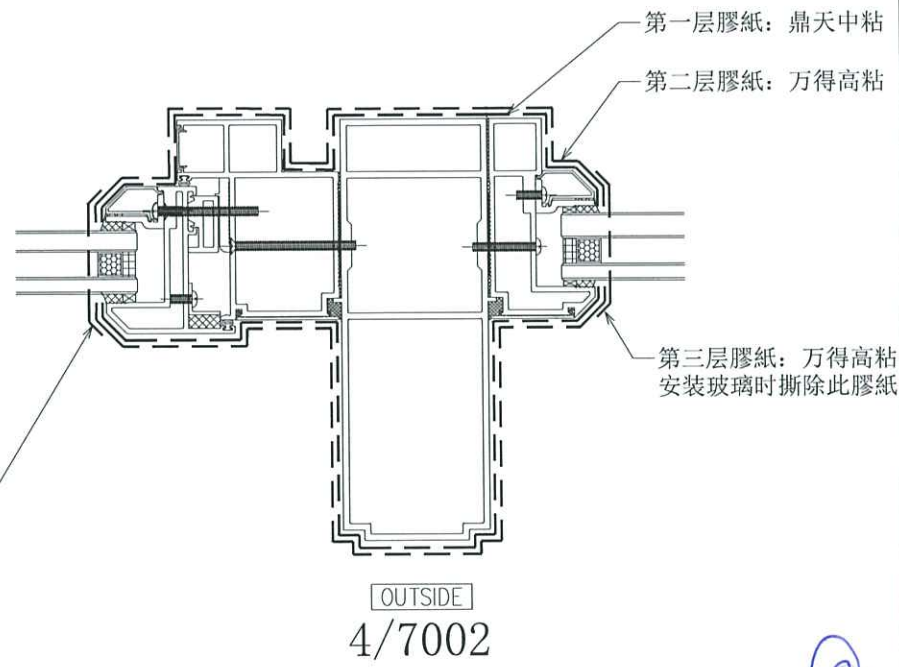
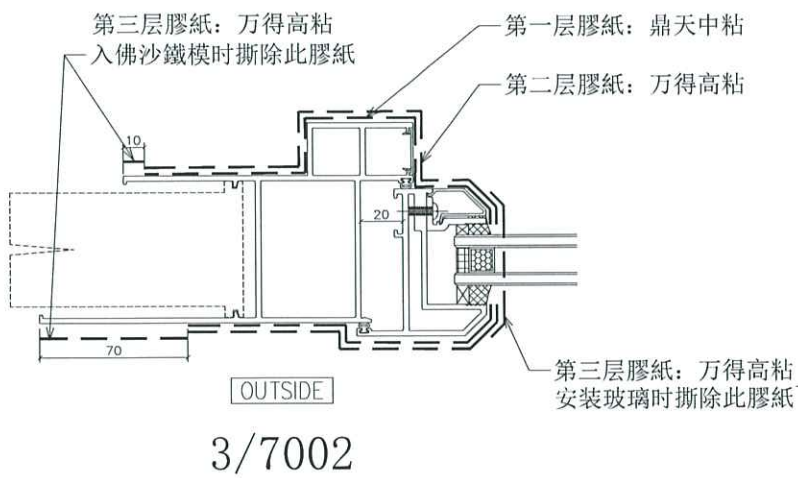
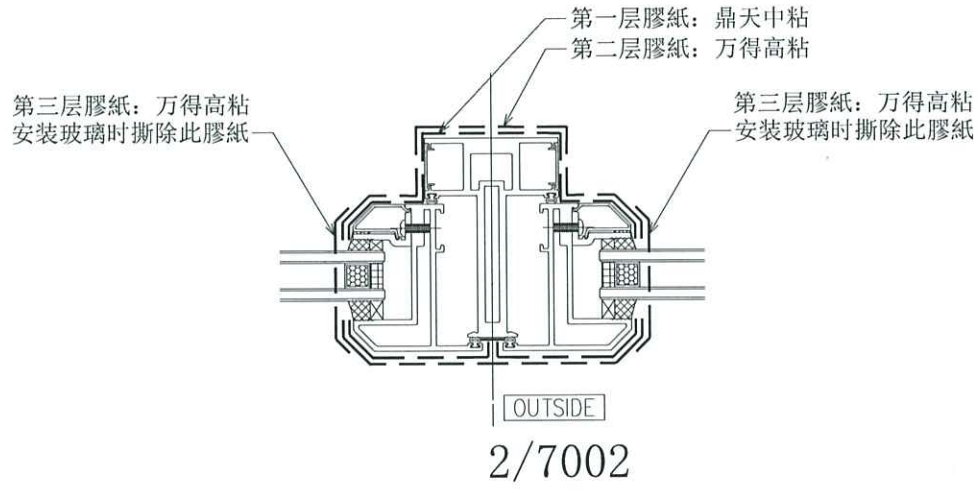
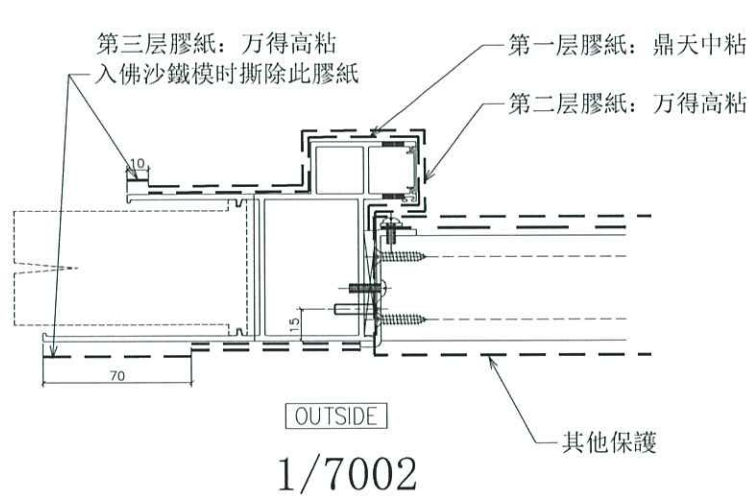
DATE : 05-Dec-19 SCALE : 1:2

DRAWN BY : MN CHECKED BY : DW

美特鋁質有限公司
MIDI ALUMINIUM FABRICATOR LTD.
Units 5-8, Sunny Industrial Centre, 1/F
610 Cha Kwo Ling Road, Kowloon
Tel:23489211-4 Fax:(852)2772666

DWG NO. : J852-SD-PW-7001 REV. : -

6



B.D. REF.:

CLIENT:

ARCHITECT:

AGC DESIGN LTD

MAIN CONTRACTOR:

Gammon

STRUCTURAL ENGINEER:

ARUP

FACADE CONSULTANT:

MEINHARDT

NOTE:

1. ALL DIMENSIONS ARE IN mm.
2. ALL ELEVATIONS ARE VIEWED FROM OUTSIDE.
3. ALL DIMENSIONS TO BE VERIFIED ON SITE BEFORE FABRICATION.

LEGEND:

(X1) — DETAIL MARK NO.
(2001) — REFER SHEET NO.

1. F.F.L. — FINISHED FLOOR LEVEL
2. S.F.L. — STRUCTURAL FLOOR LEVEL
3. (R) — REVERSED DETAIL
4. ▲ — FIXING LOCATION
5. △ — FIXING LUG LOCATION
6. GLASS LEGEND:

GL01 — 8mm+12mm AIR GAP+10mm THK. I.G.U.
 GL01a — 8mm+9mm AIR GAP+12mm THK. I.G.U.
 GL02 — 10mm THK. TEMPERED GLASS (SMARDEL GLASS)
 GL03 — 6mm+12mm AIR GAP+6mm THK. I.G.U.
 GL04 — 10mm THK. TEMPERED GLASS (PROTECTIVE BARRIER)
 GL05 — 6mm+12mm AIR GAP+8mm THK. I.G.U.

NO.	DATE	REVISION	REVISION SUBJECT TO ARCH/COMMENT	ISSUED BY
E	15/06/2020		REVISION SUBJECT TO ARCH/COMMENT	MAN
D	05/06/2020		REVISION SUBJECT TO ARCH/COMMENT	MAN
C	09/05/2020		REVISION SUBJECT TO ARCH/COMMENT	MAN
B	03/03/2020		REVISION SUBJECT TO ARCH/COMMENT	SH
A	24/02/2020		REVISION SUBJECT TO ARCH/COMMENT	SH

JOB NO. : J-852

PROJECT :
 PROPOSED RESIDENTIAL DEVELOPMENT
 AT 139 - 147 ARGYLE STREET,
 NKIL 6005, 6035 R.P., 6036 R.P.,
 6037 R.P. & 6038 R.P.

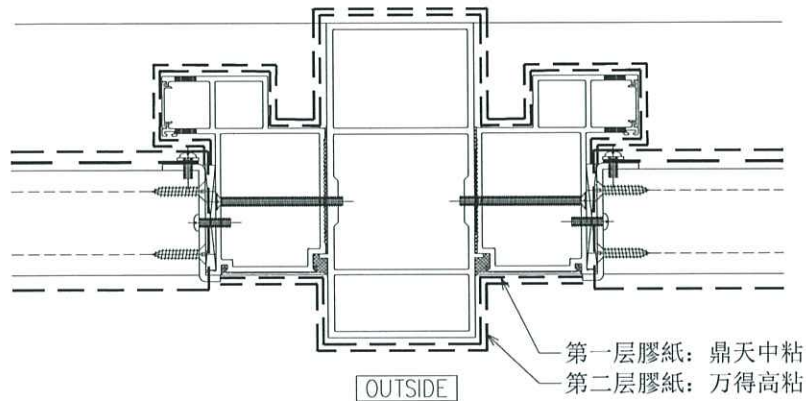
TITLE :
 DETAIL FOR
 ALUM. WINDOW

DATE : 05-Dec-19 SCALE : 1:2

DRAWN BY : MN CHECKED BY : DW

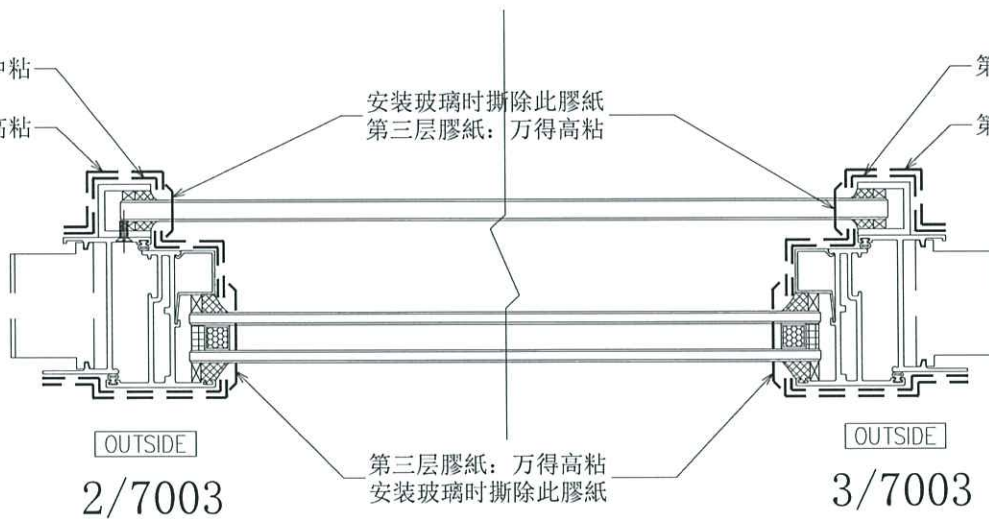
美特鋁質有限公司
 MIDI ALUMINIUM FABRICATOR LTD.
 Units 6-8, Sunray Industrial Centre, 1/F
 610 Cha Kwo Ling Road, Kowloon
 Tel:23489211-4 Fax:(852)2772666

DWG NO. : J852-SD-PW-7002 REV. : -



1/7003

第一层膠紙：鼎天中粘
第二层膠紙：万得高粘



2/7003

3/7003

B.D. REF : _____

CLIENT : _____

ARCHITECT : **AGC DESIGN LTD**

MAIN CONTRACTOR : **Gammon**

STRUCTURAL ENGINEER : **ARUP**

FACADE CONSULTANT : **MEINHARDT**

NOTE :
1. ALL DIMENSIONS ARE IN mm.
2. ALL ELEVATIONS ARE VIEWED FROM OUTSIDE.
3. ALL DIMENSIONS TO BE VERIFIED ON SITE BEFORE FABRICATION.

LEGEND :
X1 — DETAIL MARK NO.
X001 — REFER SHEET NO.

1. F.F.L. — FINISHED FLOOR LEVEL
2. S.F.L. — STRUCTURAL FLOOR LEVEL
3. (R) — REVERSED DETAIL
4. ▲ — FIXING LOCATION
5. ☆ — FIXING LUG LOCATION
6. GLASS LEGEND
GL01 — 6mm+12mm AIR GAP+10mm THK. I.G.U.
GL02 — 6mm+9mm AIR GAP+12mm THK. I.G.U.
GL03 — 10mm THK. TEMPERED GLASS (SPANDREL GLASS)
GL04 — 6mm+12mm AIR GAP+6mm THK. I.G.U.
GL05 — 10mm THK. TEMPERED GLASS (PROTECTIVE BARRIER)
GL06 — 6mm+12mm AIR GAP+8mm THK. I.G.U.

B	16/06/2020	REVISION SUBJECT TO ARCH/COMMITMENT	yes
A	30/05/2020	REVISION SUBJECT TO ARCH/COMMITMENT	yes
NO.	DATE	REVISION	BY

JOB NO. : J-852

PROJECT :
PROPOSED RESIDENTIAL DEVELOPMENT
AT 139 - 147 ARGYLE STREET,
NKIL 6005, 6035 R.P., 6036 R.P.,
6037 R.P. & 6038 R.P.

TITLE :
DETAIL FOR
ALUM. WINDOW

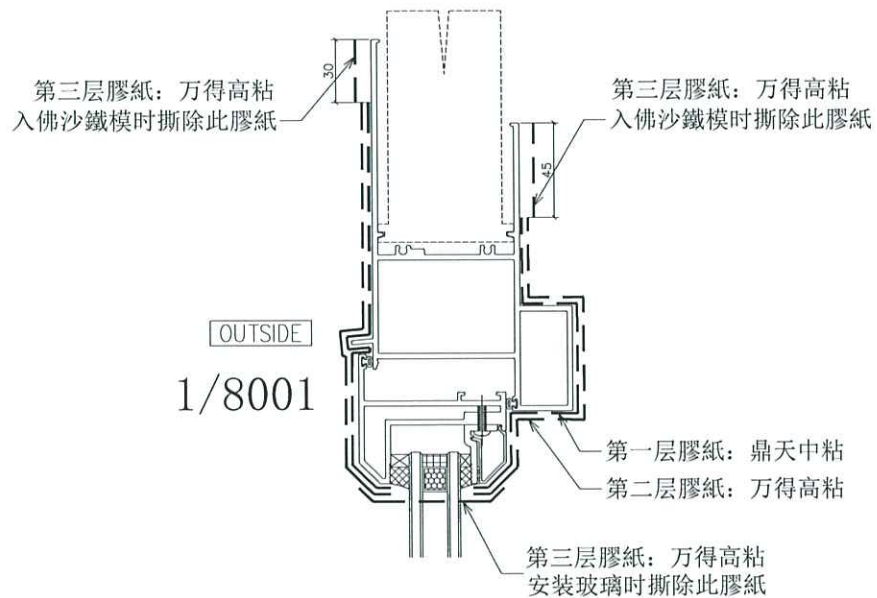
DATE : 05-Dec-19 SCALE : 1:2

DRAWN BY : MN CHECKED BY : DW

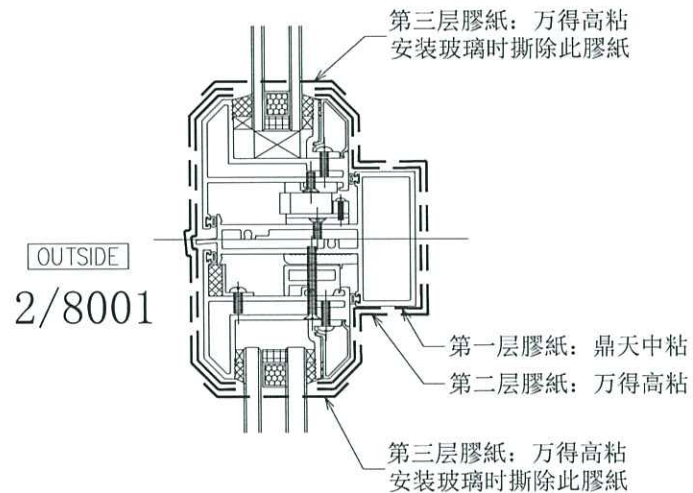
美特鋁質有限公司
MIDI ALUMINIUM FABRICATOR LTD.
Units 6-8, Sunray Industrial Centre, 1/F
610 Cha Kwo Ling Road, Kowloon
Tel: 23489211-4 Fax: (852) 2772666

DWG NO. : J852-SD-PW-7003 REV. : -

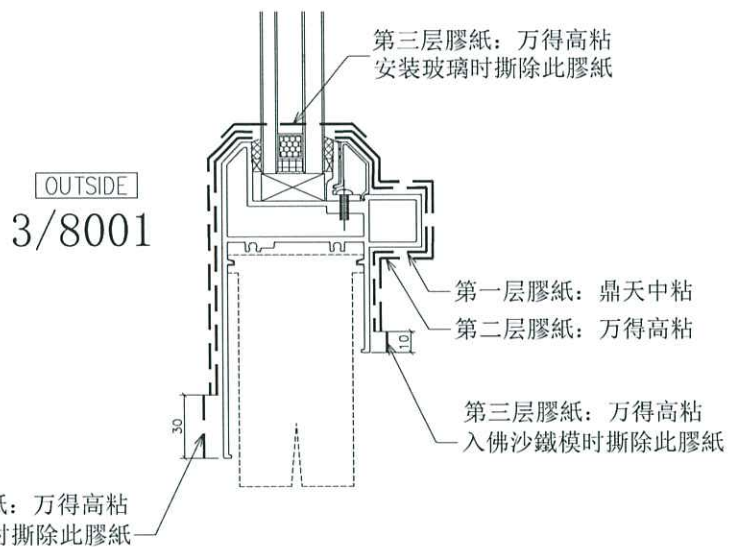
8



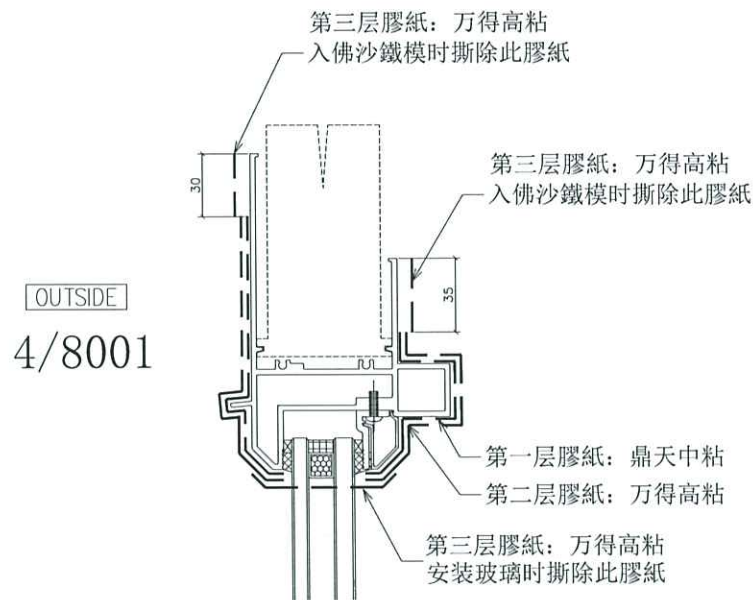
OUTSIDE
1/8001



OUTSIDE
2/8001



OUTSIDE
3/8001



OUTSIDE
4/8001

B.D. REF :
.....

CLIENT :

ARCHITECT :
AGC DESIGN LTD

MAIN CONTRACTOR :
Gammon

STRUCTURAL ENGINEER :
ARUP

FACADE CONSULTANT:
MEINHARDT

NOTE:
1. ALL DIMENSIONS ARE IN mm.
2. ALL ELEVATIONS ARE VIEWED FROM OUTSIDE.
3. ALL DIMENSIONS TO BE VERIFIED ON SITE BEFORE FABRICATION.

LEGEND:
K1 --- DETAIL MARK NO.
X001 --- REFER SHEET NO.

1. F.F.L --- FINISHED FLOOR LEVEL
2. S.F.L --- STRUCTURAL FLOOR LEVEL
3. (R) --- REVERSED DETAIL
4. ▲ --- FIXING LOCATION
5. △ --- FIXING LUG LOCATION
6. GLASS LEGEND
GL01 --- 8mm+12mm AIR GAP+10mm THK LGU
GL02 --- 8mm+8mm AIR GAP+12mm THK LGU
GL03 --- 10mm THK TEMPERED GLASS (SPANDREL GLASS)
GL04 --- 6mm+12mm AIR GAP+6mm THK LGU
GL05 --- 10mm THK TEMPERED GLASS (PROTECTIVE BARRIER)
GL06 --- 6mm+12mm AIR GAP+8mm THK LGU

NO.	DATE	REVISION SUBJECT TO ARCH/COMMENT	BY
E	16/06/2020	REVISION SUBJECT TO ARCH/COMMENT	van
D	01/06/2020	REVISION SUBJECT TO ARCH/COMMENT	van
C	03/03/2020	REVISION SUBJECT TO ARCH/COMMENT	SH
B	03/03/2020	REVISION SUBJECT TO ARCH/COMMENT	SH
A	24/02/2020	REVISION SUBJECT TO ARCH/COMMENT	SH

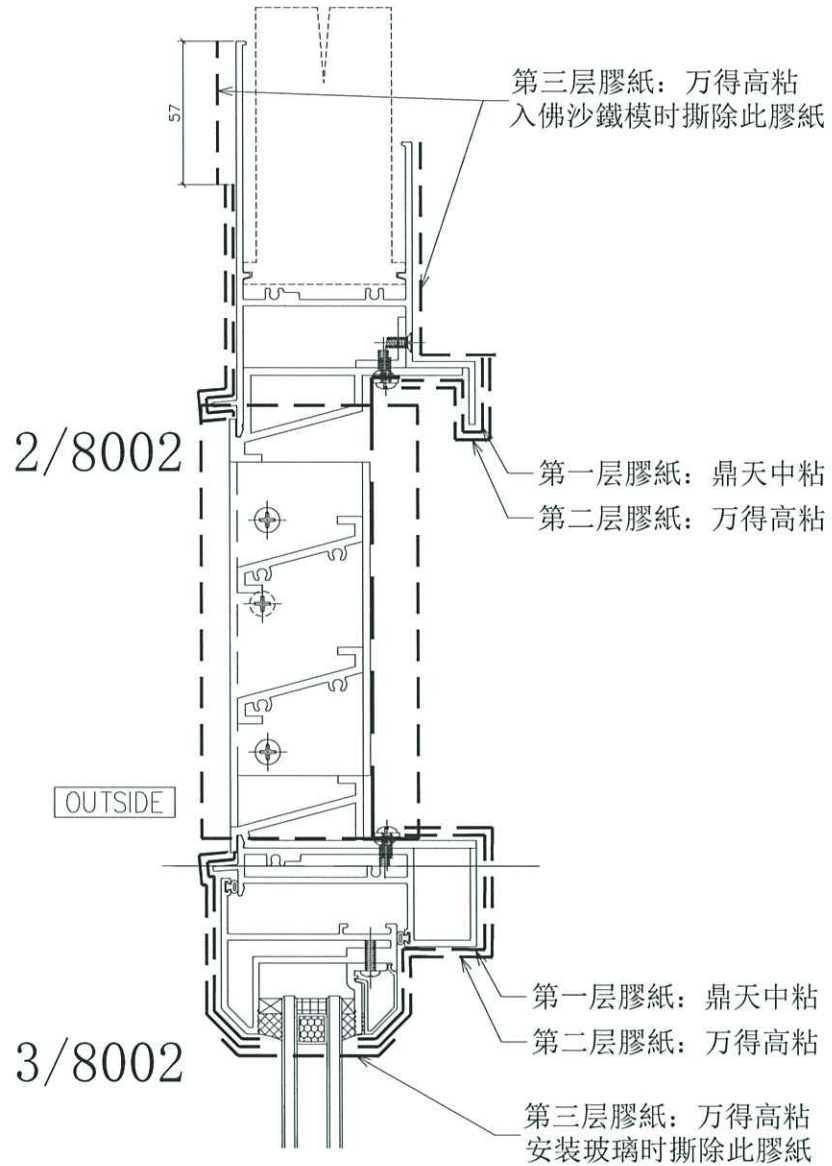
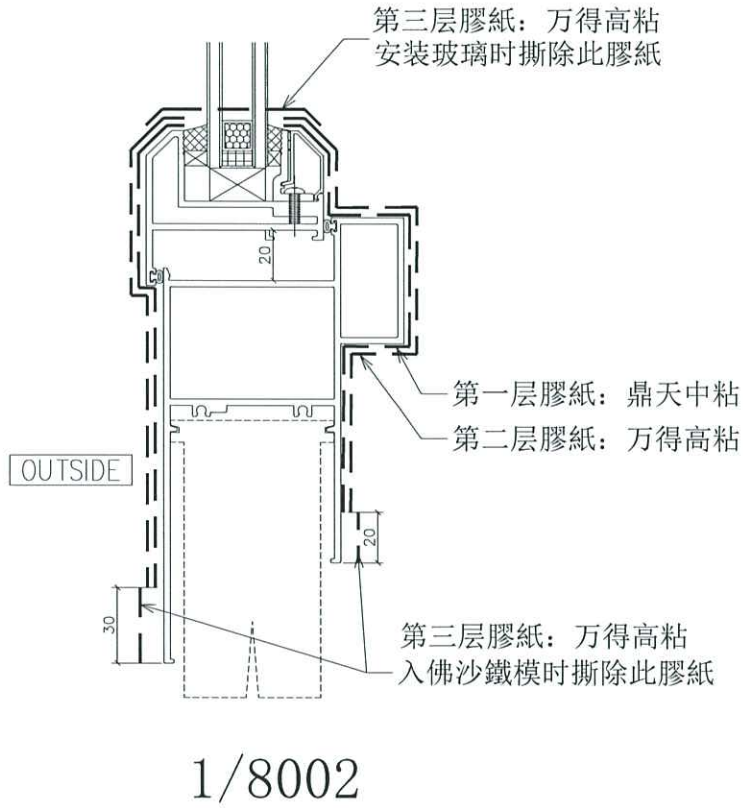
JOB NO. : J-852
PROJECT : PROPOSED RESIDENTIAL DEVELOPMENT AT 139 - 147 ARGYLE STREET, NKIL 6005, 6035 R.P., 6036 R.P., 6037 R.P. & 6038 R.P.

TITLE : DETAIL FOR ALUM. WINDOW

DATE : 05-Dec-19 SCALE : 1:2
DRAWN BY : MN CHECKED BY : DW

美特鋁質有限公司
MIDI ALUMINIUM FABRICATOR LTD.
Units 6-8, Sunray Industrial Centre, 1/F
610 Cha Kwo Ling Road, Kowloon
Tel: 23489211-4 Fax: (852) 27727666
DWG NO. : JB52-SD-PW-8001 REV. : -

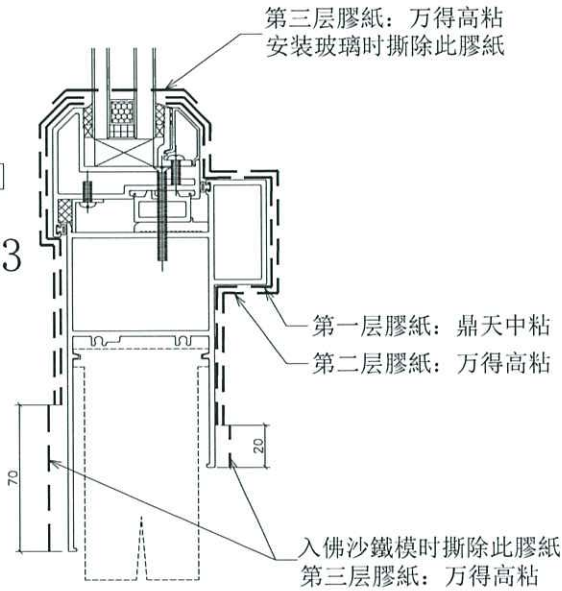




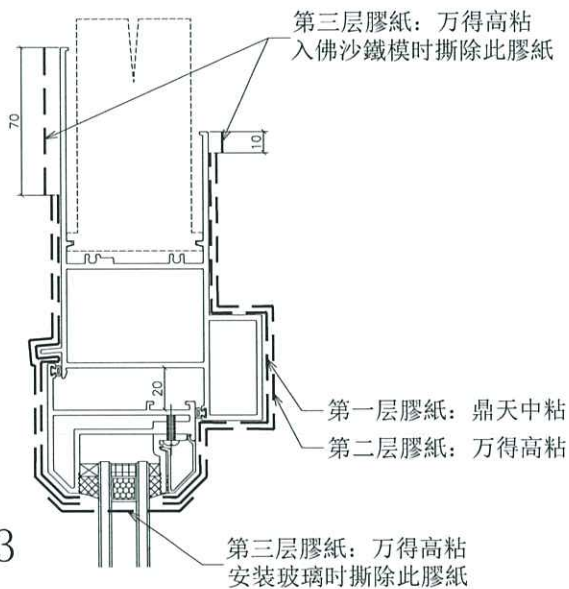
B.D. REF :		
CLIENT :		
ARCHITECT : AGC DESIGN LTD		
MAIN CONTRACTOR : Gammon		
STRUCTURAL ENGINEER : ARUP		
FACADE CONSULTANT: MEINHARDT		
NOTE :		
1. ALL DIMENSIONS ARE IN mm.		
2. ALL ELEVATIONS ARE VIEWED FROM OUTSIDE.		
3. ALL DIMENSIONS TO BE VERIFIED ON SITE BEFORE FABRICATION.		
LEGEND :		
(X1)	DETAIL MARK NO.	
(8001)	REFER SHEET NO.	
1.	F.F.L. -- FINISHED FLOOR LEVEL	
2.	S.F.L. -- STRUCTURAL FLOOR LEVEL	
3.	(2) -- REVERSED DETAIL	
4.	▲ -- FIXING LOCATION	
5.	△ -- FIXING LUG LOCATION	
6. GLASS LEGEND		
GLD1	-- 8mm+12mm AIR GAP+10mm THK. I.G.U.	
GLD1a	-- 8mm+9mm AIR GAP+12mm THK. I.G.U.	
GLD2	-- 10mm THK. TEMPERED GLASS (SPANDREL GLASS)	
GLD3	-- 6mm+12mm AIR GAP+6mm THK. I.G.U.	
GLD4	-- 10mm THK. TEMPERED GLASS (PROTECTIVE BARREL)	
GLD5	-- 6mm+12mm AIR GAP+8mm THK. I.G.U.	
E	16/06/2020	REVISION SUBJECT TO ARCH/COMMENT
D	01/06/2020	REVISION SUBJECT TO ARCH/COMMENT
C	09/05/2020	REVISION SUBJECT TO ARCH/COMMENT
B	03/03/2020	REVISION SUBJECT TO ARCH/COMMENT
A	24/02/2020	REVISION SUBJECT TO ARCH/COMMENT
NO.	DATE	REVISION
JOB NO. : J-852		
PROJECT :		
PROPOSED RESIDENTIAL DEVELOPMENT AT 139 - 147 ARGYLE STREET, NKIL 6005, 6035 R.P., 6036 R.P., 6037 R.P. & 6038 R.P.		
TITLE :		
DETAIL FOR ALUM. WINDOW		
DATE :	05-Dec-19	SCALE : 1:2
DRAWN BY :	MN	CHECKED BY : DW
美特銘實有限公司 MIDI ALUMINIUM FABRICATOR LTD. Units 6-8, Sunray Industrial Centre, 1/F 810 Cho Kwo Ling Road, Kowloon Tel:23489211-4 Fax:(852)27727866		
DWG NO. :	J852-SD-PW-8002	REV. : -

10

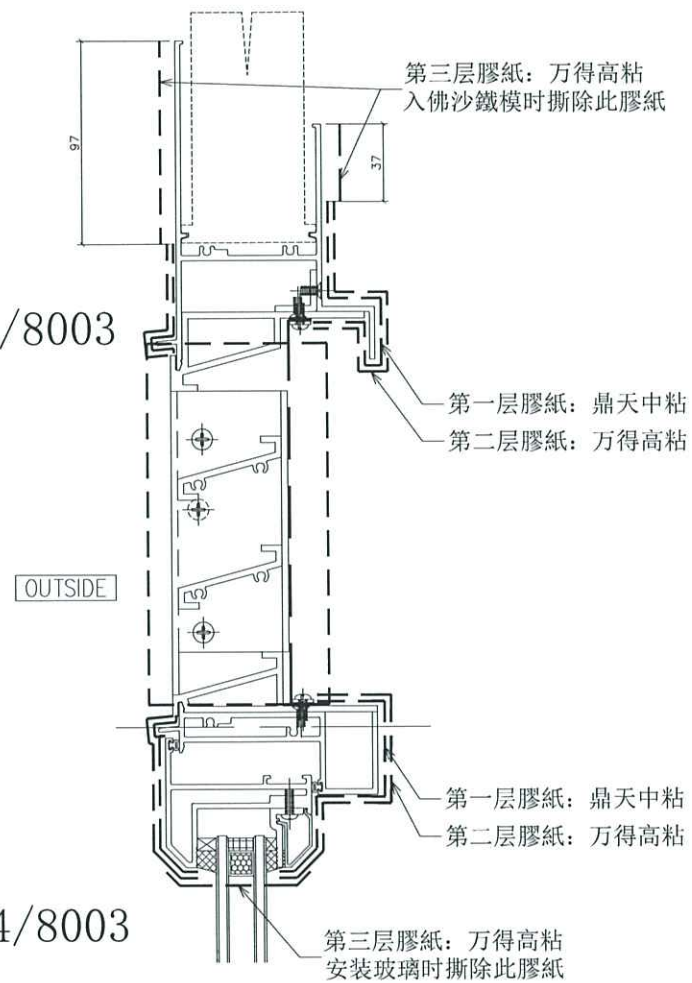
OUTSIDE
1/8003



OUTSIDE
3/8003



2/8003



4/8003

B.D. REF : _____

CLIENT : _____

ARCHITECT : **AGC DESIGN LTD**

MAIN CONTRACTOR : **Gammon**

STRUCTURAL ENGINEER : **ARUP**

FAÇADE CONSULTANT : **MEINHARDT**

NOTE :

1. ALL DIMENSIONS ARE IN mm.
2. ALL ELEVATIONS ARE VIEWED FROM OUTSIDE.
3. ALL DIMENSIONS TO BE VERIFIED ON SITE BEFORE FABRICATION.

LEGEND :

X1 — DETAIL MARK NO.
2003 — REFER SHEET NO.

1. F.F.L. — FINISHED FLOOR LEVEL
2. S.F.L. — STRUCTURAL FLOOR LEVEL
3. (R) — REVERSED DETAIL
4. ▲ — FIXING LOCATION
5. △ — FIXING LUG LOCATION
6. GLASS LEGEND

GL01 — 8mm+12mm AIR GAP+10mm THK. I.G.U.
GL02 — 8mm+9mm AIR GAP+12mm THK. I.G.U.
GL02 — 10mm THK. TEMPERED GLASS (SPANDREL GLASS)
GL03 — 6mm+12mm AIR GAP+6mm THK. I.G.U.
GL04 — 10mm THK. TEMPERED GLASS (PROTECTIVE BARRIER)
GL05 — 6mm+12mm AIR GAP+8mm THK. I.G.U.

C	15/06/2020	REVISION SUBJECT TO ARCH/COMMENT	WCH
B	01/06/2020	REVISION SUBJECT TO ARCH/COMMENT	WCH
A	09/05/2020	REVISION SUBJECT TO ARCH/COMMENT	WCH
NO.	DATE	REVISION	BY

JOB NO. : J-852

PROJECT : PROPOSED RESIDENTIAL DEVELOPMENT
AT 139 - 147 ARGYLE STREET,
NKIL 6005, 6035 R.P., 6036 R.P.,
6037 R.P. & 6038 R.P.

TITLE : DETAIL FOR ALUM. WINDOW

DATE : 05-Dec-19 SCALE : 1:2

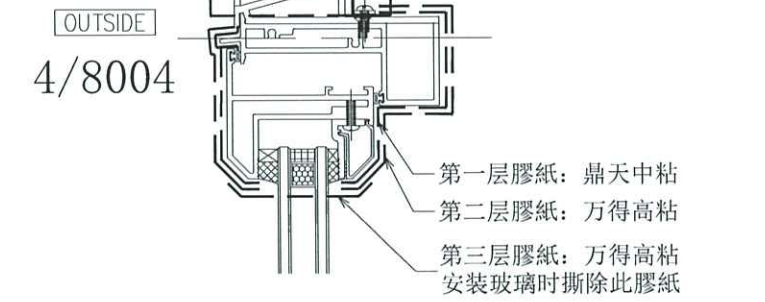
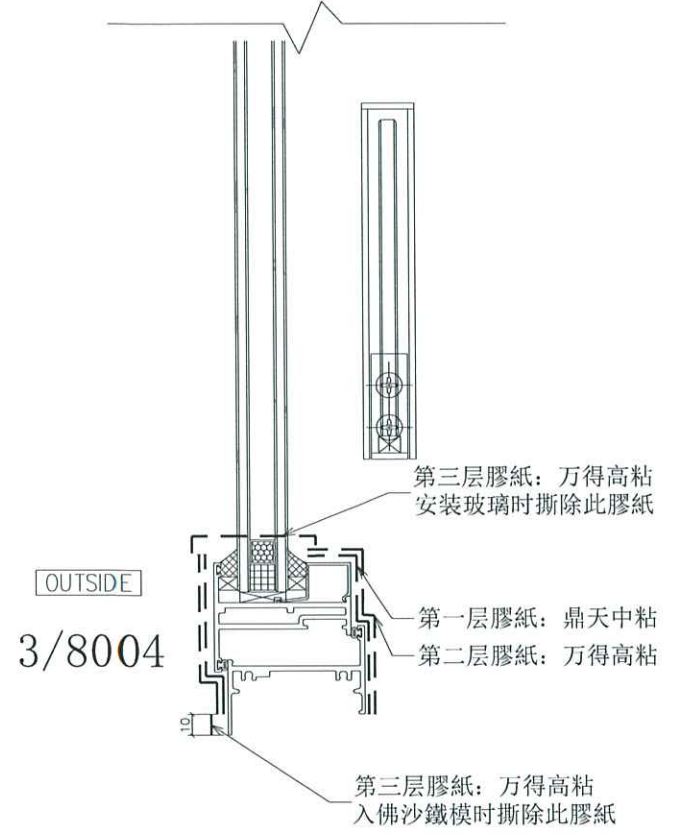
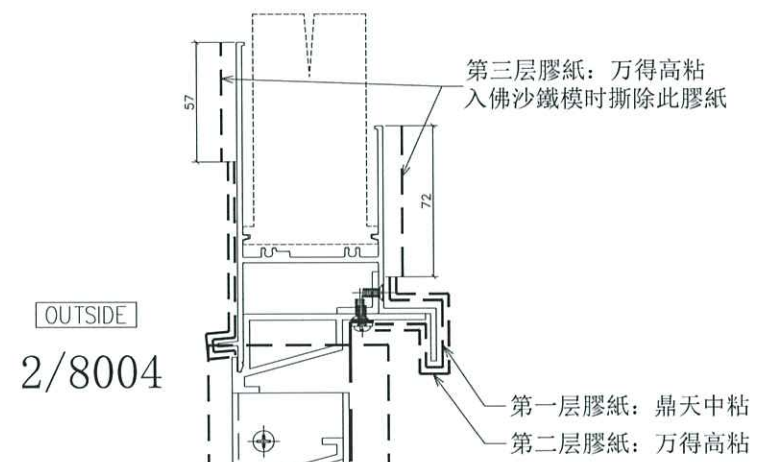
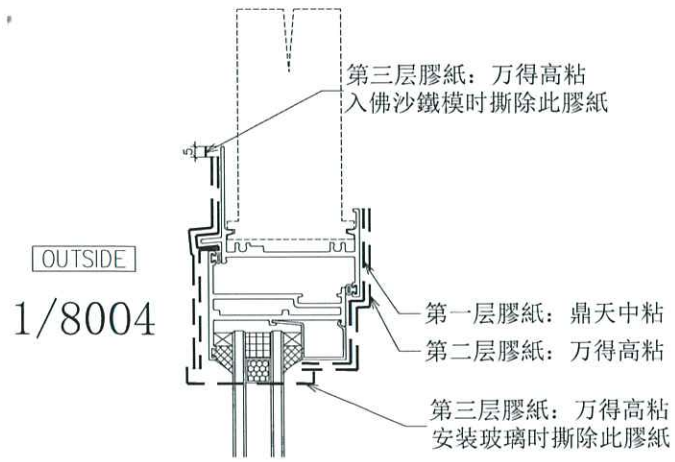
DRAWN BY : MN CHECKED BY : DW

美特鋁質有限公司
MIDI ALUMINIUM FABRICATOR LTD.
Units 5-8, Sunny Industrial Centre, 1/F
610 Cha Kwo Ling Road, Kowloon
Tel: 23489211-4 Fax: (852) 27727666

DWG NO. : J852-SD-PW-8003 REV. : -

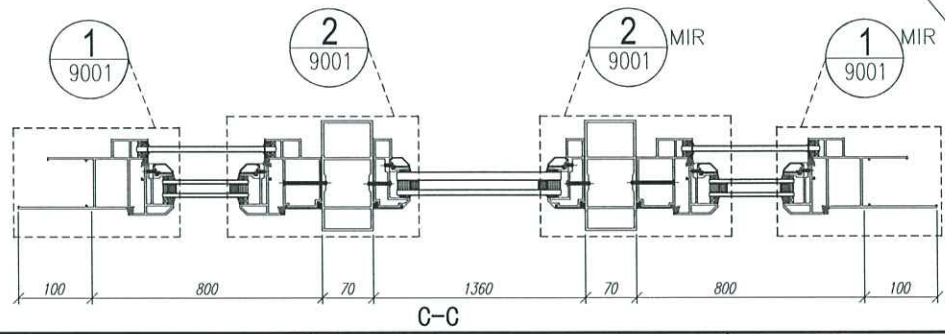
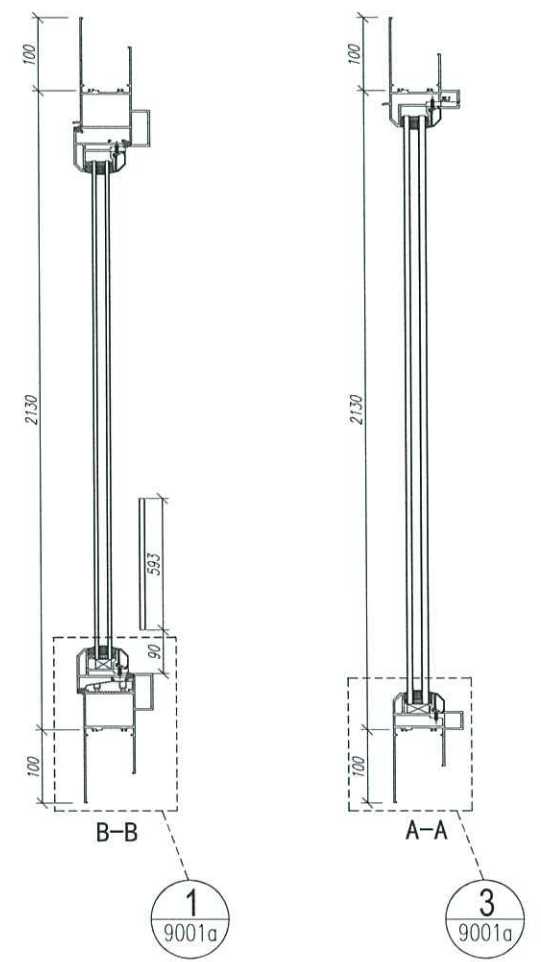
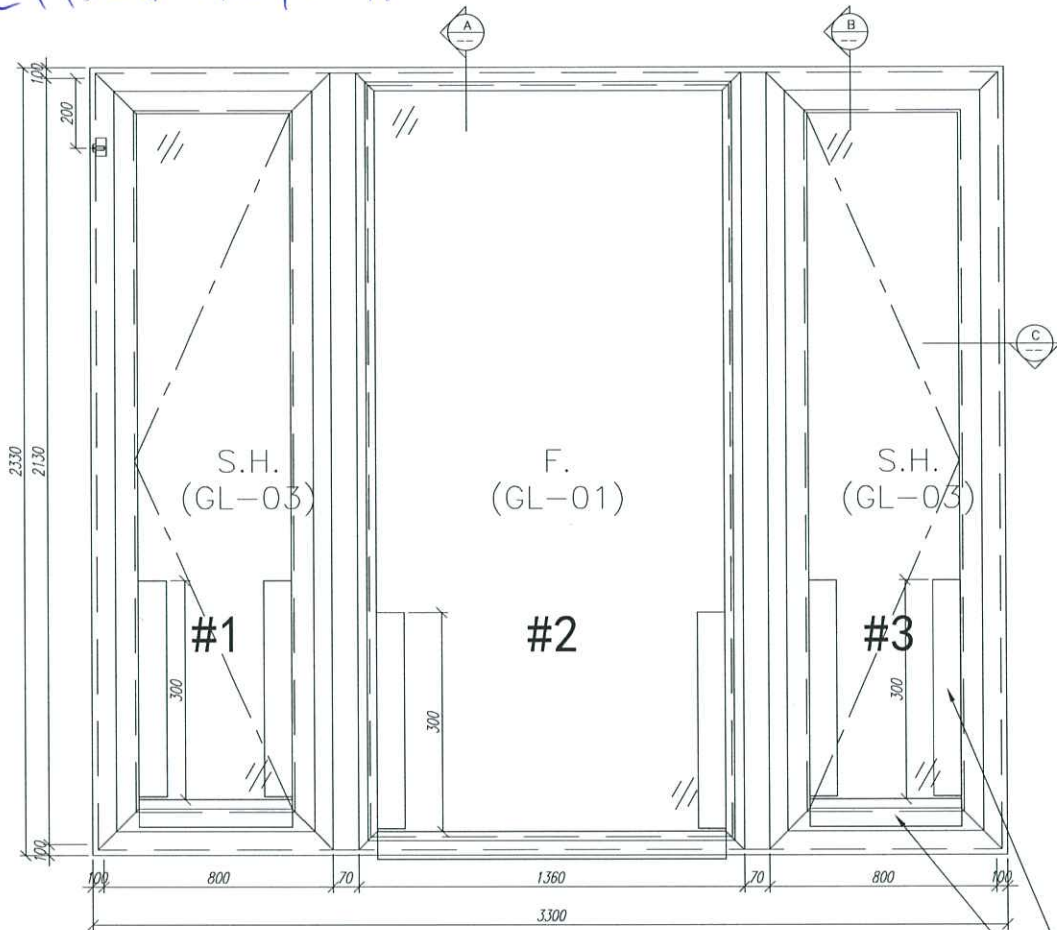
10

B.D. REF. :			
CLIENT :			
ARCHITECT : AGC DESIGN LTD			
MAIN CONTRACTOR : Gammon			
STRUCTURAL ENGINEER : ARUP			
FACADE CONSULTANT: MEINHARDT			
NOTE :			
1. ALL DIMENSIONS ARE IN mm.			
2. ALL ELEVATIONS ARE VIEWED FROM OUTSIDE.			
3. ALL DIMENSIONS TO BE VERIFIED ON SITE BEFORE FABRICATION.			
LEGEND :			
(X1)	DETAIL MARK NO.		
(2001)	REFER SHEET NO.		
1.	F.F.L.	FINISHED FLOOR LEVEL	
2.	S.F.L.	STRUCTURAL FLOOR LEVEL	
3.	(Z)	REVERSED DETAIL	
4.	▲	FIXING LOCATION	
5.	△	FIXING LUG LOCATION	
6. GLASS LEGEND			
GL01 — 8mm+12mm AIR GAP+10mm THK. I.G.U.			
GL01a — 8mm+9mm AIR GAP+12mm THK. I.G.U.			
GL02 — 16mm THK. TEMPERED GLASS (SPARKLE GLASS)			
GL03 — 6mm+12mm AIR GAP+6mm THK. I.G.U.			
GL04 — 10mm THK. TEMPERED GLASS (PROTECTIVE BARRIER)			
GL05 — 6mm+12mm AIR GAP+8mm THK. I.G.U.			
C	16/06/2020	REVISION SUBJECT TO APPROVEMENT	MAN
B	01/06/2020	REVISION SUBJECT TO APPROVEMENT	MAN
A	09/05/2020	REVISION SUBJECT TO APPROVEMENT	MAN
NO.	DATE	REVISED	BY
JOB NO. : J-852			
PROJECT : PROPOSED RESIDENTIAL DEVELOPMENT AT 139 - 147 ARGYLE STREET, NKIL 6005, 6035 R.P., 6036 R.P., 6037 R.P. & 6038 R.P.			
TITLE : DETAIL FOR ALUM. WINDOW			
DATE : 05-Dec-19		SCALE : 1:2	
DRAWN BY : MN		CHECKED BY : DW	
 美特鋁質有限公司 MIDI ALUMINIUM FABRICATOR LTD. Units 6-8, Sunray Industrial Centre, 1/F 610 Cha Kwo Ling Road, Kowloon Tel:23489211-4 Fax:(852)2727666			
DWG NO. : J852-SD-PW-8004		REV. : -	



6

E21950.B MK 1404.

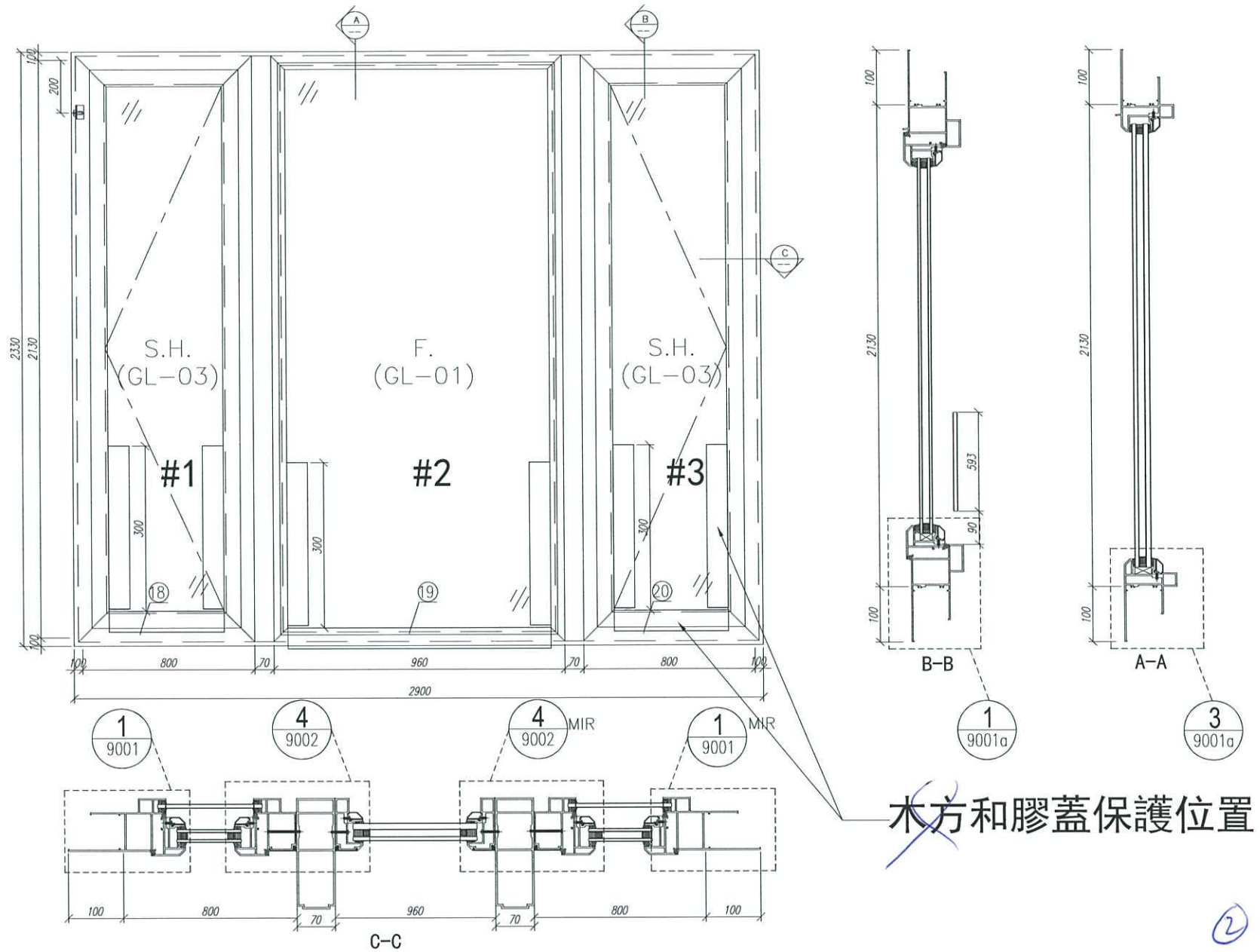


~~木方和膠蓋保護位置~~

~~木方和膠蓋示意图~~

数量: -	材料:	表面处理: UCT806812XL-3	美特铝质有限公司 MIDI Aluminium Fabricator Ltd.	工程名称: 亞皆老街 / 佛沙窗
制图: IVAN	日期: 2020.07.06	审核: WSH		Rev:

①

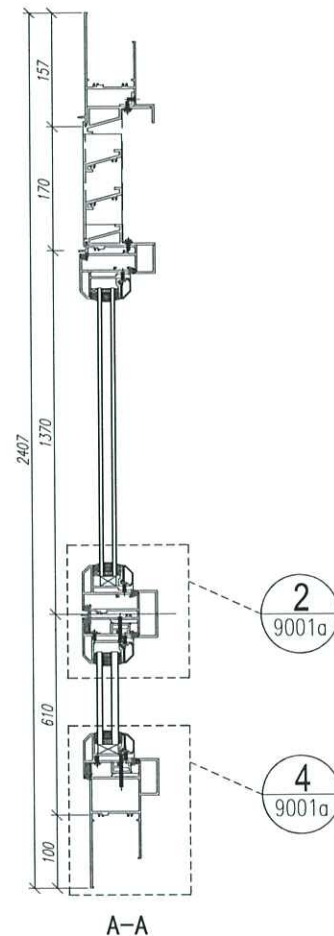
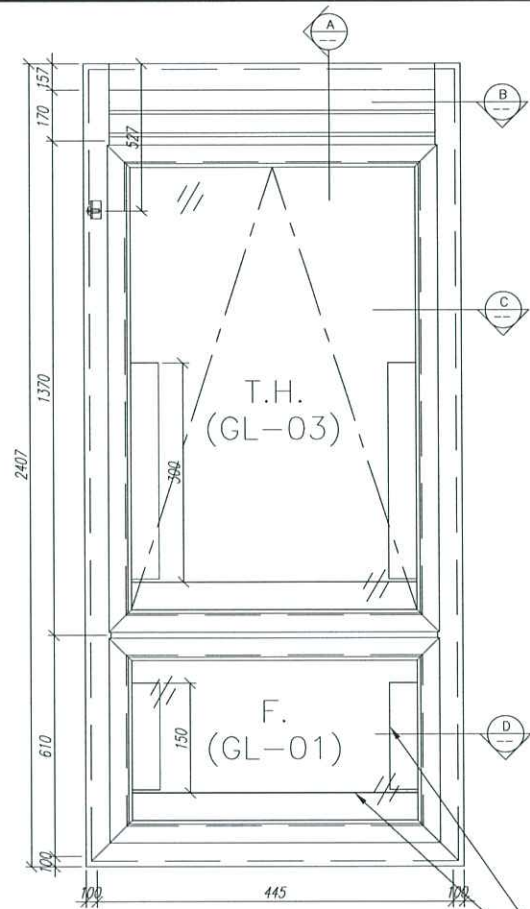


木方和膠蓋保護位置

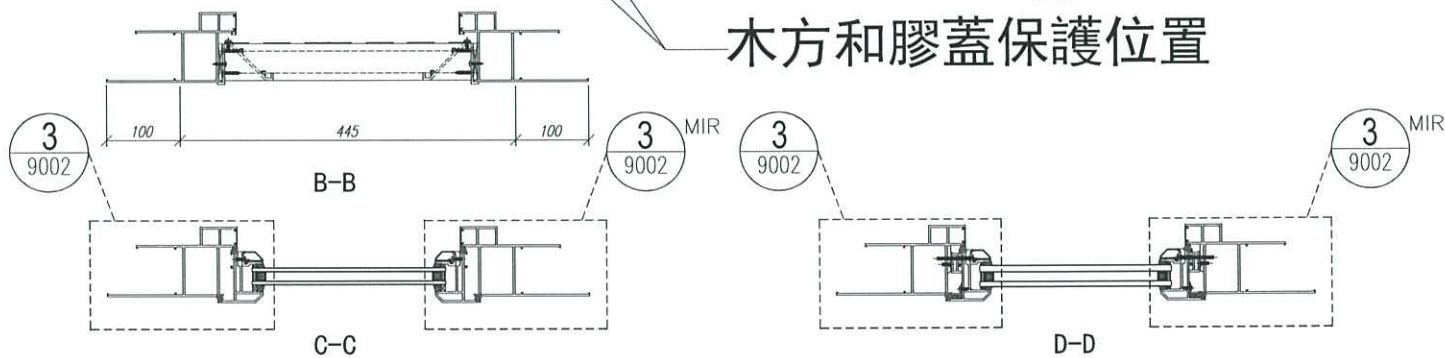
木方和膠蓋示意图

数量: -	材料:	表面处理: UCT806812XL-3	 美特鋁質有限公司 MIDI Aluminium Fabricator Ltd.	工程名称: 亞皆老街 / 佛沙窗
制图: IVAN	日期: 2020.07.06	校核: WSH		审核:

图名: 图号:



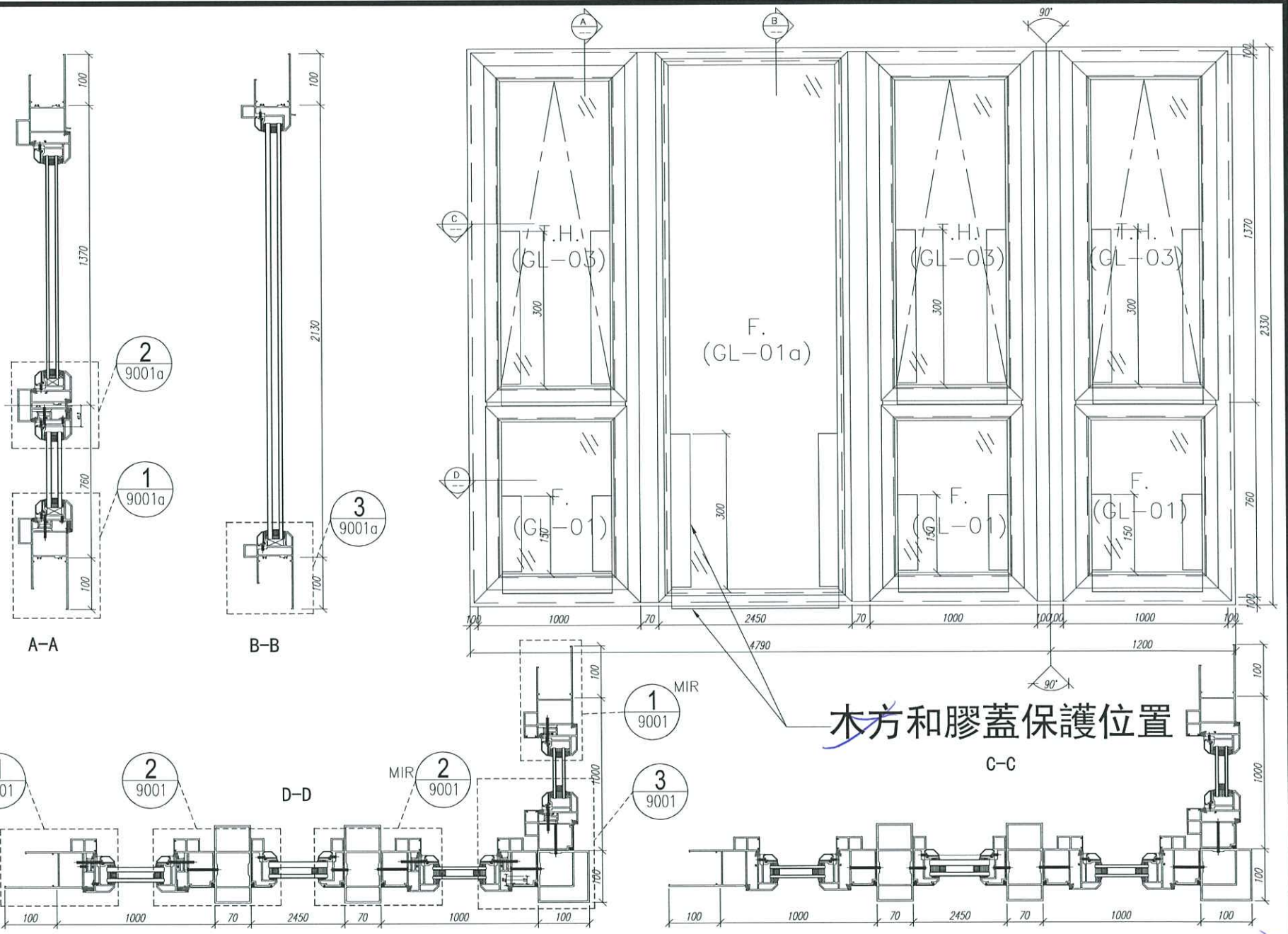
木方和膠蓋保護位置



数量: -	材料:	表面处理: UCT806812XL-3	美特鋁質有限公司 MIDI Aluminium Fabricator Ltd.	工程名称: 亞皆老街 / 佛沙窗
制图: IVAN	日期: 2020.07.06	校核: WSH		审核:

木方和膠蓋示意图

3



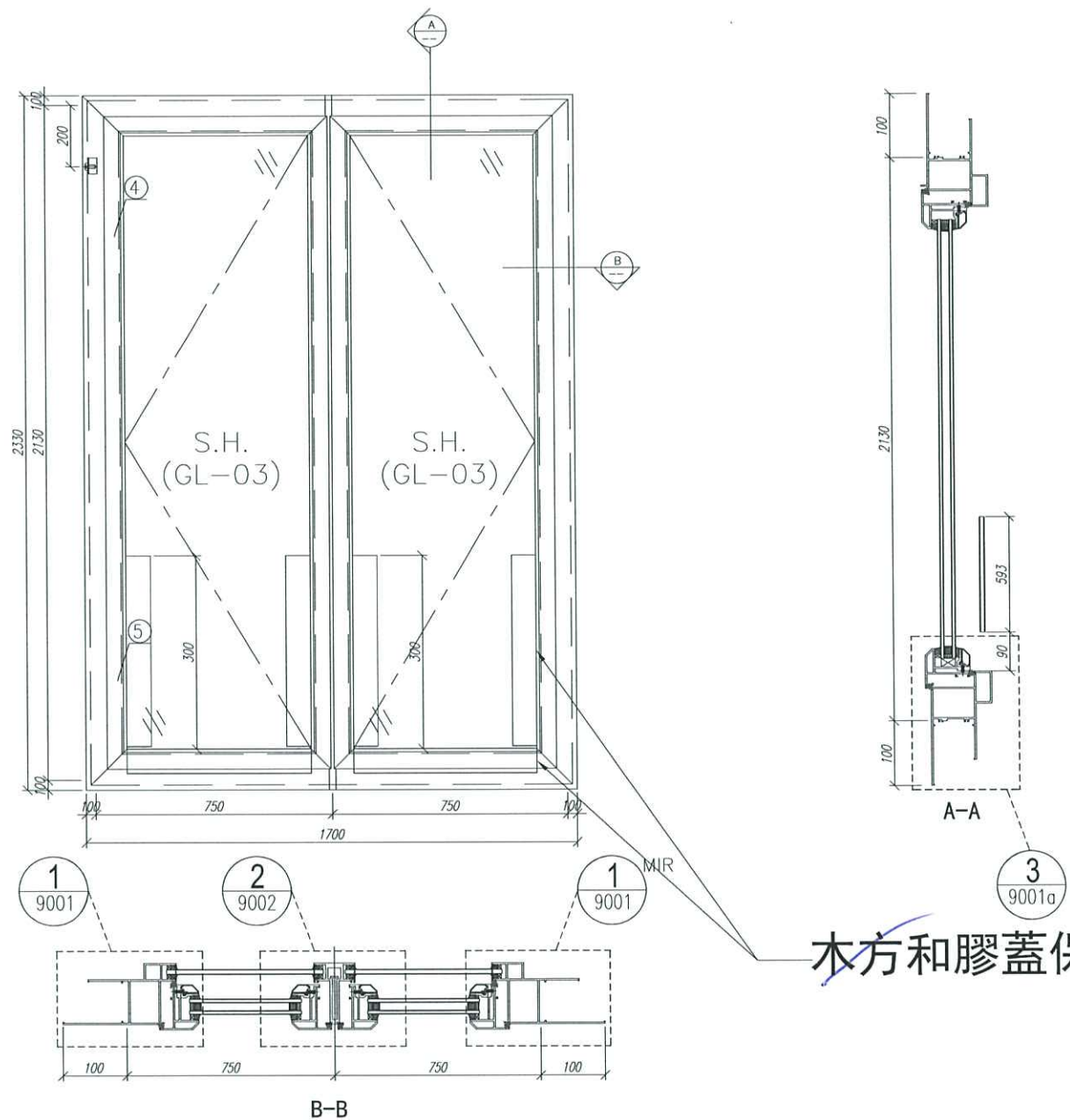
木方和膠蓋保護位置

数量:	材料: 详见本图附表	表面处理: UCT806812XL-3
制图: 郭上军	日期: 2020.07.06	校核: WSH
	审核:	Rev:


美特铝质有限公司
 MIDI Aluminium Fabricator Ltd.

工程名称: 亞皆老街 / 佛沙窗
图名: W3/T3A組裝圖
图号: W3/T3A(1F~3F)

木方和膠蓋示意图

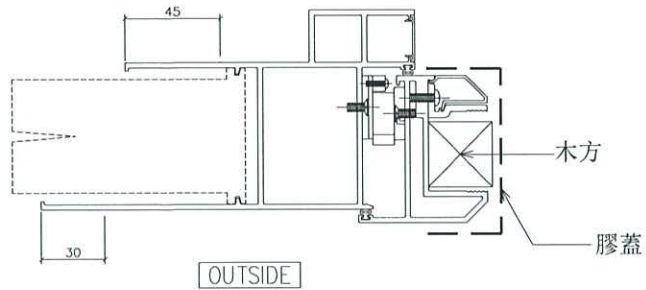


木方和膠蓋保護位置

5

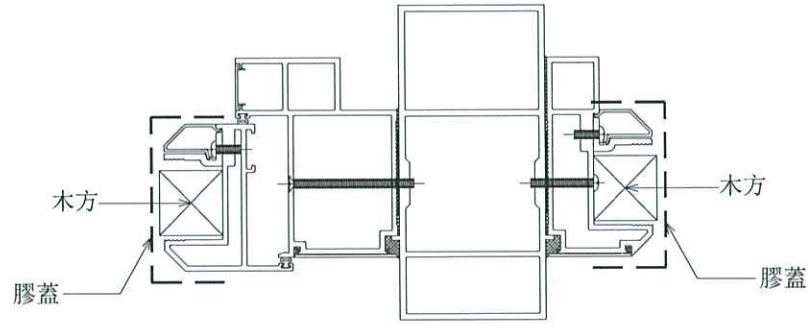
木方和膠蓋示意图

数量:	材料:	表面处理: UCT806812XL-3	 美特鋁質有限公司 MIDI Aluminium Fabricator Ltd.		工程名称: 亞皆老街 / 佛沙窗	
制图: IVAN	日期: 2020.07.06	校核: WSH			审核:	Rev:



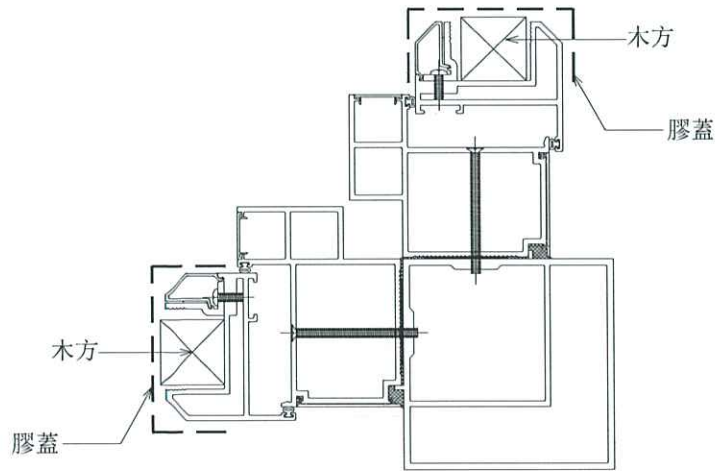
OUTSIDE

1/9001



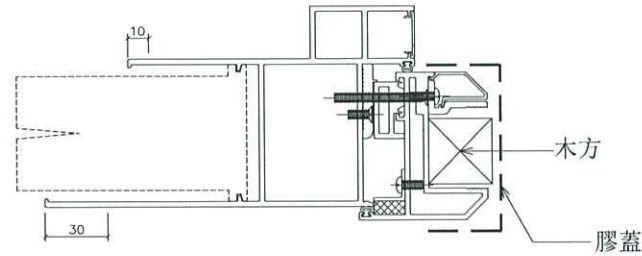
OUTSIDE

2/9001



OUTSIDE

3/9001



OUTSIDE

4/9001

B.D. REF :
 CLIENT :
 ARCHITECT :
 MAIN CONTRACTOR :
 STRUCTURAL ENGINEER :
 FACADE CONSULTANT :

AGC DESIGN LTD

Gammon

ARUP

MEINHARDT

NOTE :
 1. ALL DIMENSIONS ARE IN mm.
 2. ALL ELEVATIONS ARE VIEWED FROM OUTSIDE.
 3. ALL DIMENSIONS TO BE VERIFIED ON SITE BEFORE FABRICATION.

LEGEND :
 X1 --- DETAIL MARK NO.
 9001 --- REFER SHEET NO.

1. F.F.L --- FINISHED FLOOR LEVEL
 2. S.F.L --- STRUCTURAL FLOOR LEVEL
 3. (Z) --- REVERSED DETAIL
 4. ▲ --- FIXING LOCATION
 5. △ --- FIXING LUG LOCATION
 6. GLASS LEGEND
 GLD1 --- 8mm+12mm AIR CAP+10mm THK. I.G.U.
 GLD1a --- 8mm+9mm AIR CAP+12mm THK. I.G.U.
 GLD2 --- 10mm THK. TEMPERED GLASS (SPANDREL GLASS)
 GLD3 --- 6mm+12mm AIR CAP+6mm THK. I.G.U.
 GLD4 --- 10mm THK. TEMPERED GLASS (PROTECTIVE BARRIER)
 GLD5 --- 6mm+12mm AIR CAP+8mm THK. I.G.U.

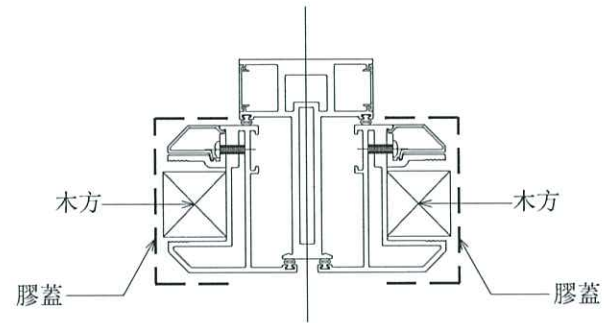
NO.	DATE	REVISION	BY
E	30/05/2020	REVISION SUBJECT TO ARCH/COMMENT	WON
D	30/05/2020	REVISION SUBJECT TO ARCH/COMMENT	WON
C	09/05/2020	REVISION SUBJECT TO ARCH/COMMENT	WON
B	03/05/2020	REVISION SUBJECT TO ARCH/COMMENT	WON
A	24/02/2020	REVISION SUBJECT TO ARCH/COMMENT	SH

JOB NO. : J-852
 PROJECT : PROPOSED RESIDENTIAL DEVELOPMENT AT 139 - 147 ARGYLE STREET, NKIL 6005, 6035 R.P., 6036 R.P., 6037 R.P. & 6038 R.P.
 TITLE : DETAIL FOR ALUM. WINDOW

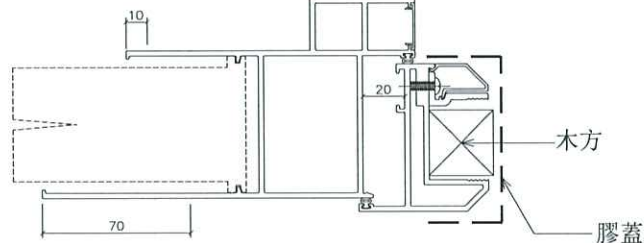
DATE : 05-Dec-19 SCALE : 1:2
 DRAWN BY : MN CHECKED BY : DW

MIDI ALUMINIUM FABRICATOR LTD.
 Units 6-8, Sunray Industrial Centre, 1/F
 610 Cha Kwo Ling Road, Kowloon
 Tel:23489211-4 Fax:(852)2727666
 DWG NO. : J852-SD-PW-9001 REV. : -

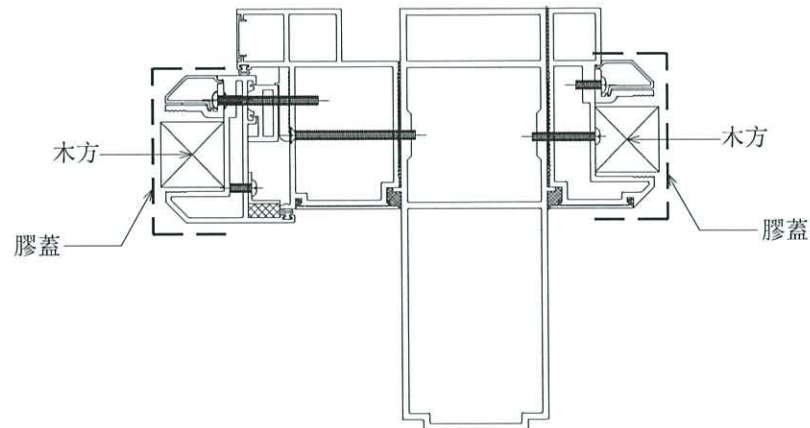
6



OUTSIDE
2/9002



OUTSIDE
3/9002



OUTSIDE
4/9002

B.D. REF :
.....

CLIENT :

ARCHITECT :
AGC DESIGN LTD

MAIN CONTRACTOR :
Gammon

STRUCTURAL ENGINEER :
ARUP

FACADE CONSULTANT:
MEINHARDT

NOTE:
1. ALL DIMENSIONS ARE IN mm.
2. ALL ELEVATIONS ARE VIEWED FROM OUTSIDE.
3. ALL DIMENSIONS TO BE VERIFIED ON SITE BEFORE FABRICATION.

LEGEND:
X1 --- DETAIL MARK NO.
X001 --- REFER SHEET NO.

1. F.F.L. --- FINISHED FLOOR LEVEL
2. S.F.L. --- STRUCTURAL FLOOR LEVEL
3. (Z) --- REVERSED DETAIL
4. ▲ --- FIXING LOCATION
5. △ --- FIXING LUG LOCATION
6. GLASS LEGEND
GL01 --- 8mm+12mm AIR GAP+10mm THK. I.G.U.
GL01a --- 8mm+9mm AIR GAP+12mm THK. I.G.U.
GL02 --- 10mm THK. TEMPERED GLASS (SPANDREL GLASS)
GL03 --- 6mm+12mm AIR GAP+6mm THK. I.G.U.
GL04 --- 10mm THK. TEMPERED GLASS (PROTECTIVE BARRIER)
GL05 --- 6mm+12mm AIR GAP+8mm THK. I.G.U.

NO.	DATE	REVISION	BY
E	16/06/2020	REVISION SUBJECT TO ARCH/COMMENT	MAN
D	05/06/2020	REVISION SUBJECT TO ARCH/COMMENT	MAN
C	09/05/2020	REVISION SUBJECT TO ARCH/COMMENT	MAN
B	03/03/2020	REVISION SUBJECT TO ARCH/COMMENT	SH
A	24/02/2020	REVISION SUBJECT TO ARCH/COMMENT	SH

JOB NO. : J-852
PROJECT : PROPOSED RESIDENTIAL DEVELOPMENT
AT 139 - 147 ARGYLE STREET,
NKIL 6005, 6035 R.P., 6036 R.P.,
6037 R.P. & 6038 R.P.

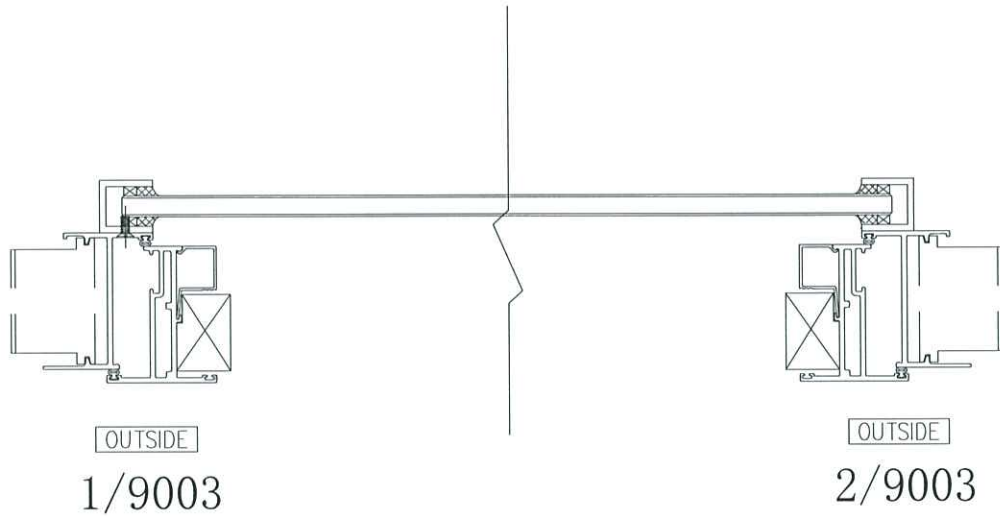
TITLE :
DETAIL FOR
ALUM. WINDOW

DATE : 05-Dec-19 SCALE : 1:2
DRAWN BY : MN CHECKED BY : DW

美特鋁質有限公司
MIDI ALUMINUM FABRICATOR LTD.
Units 6-8, Sunray Industrial Centre, 1/F
610 Cha Kwo Ling Road, Kowloon
Tel:23489211-4 Fax:(852)2727656

DWG NO. : J852-SD-PW-9002 REV. : -





B.D. REF :

CLIENT :

ARCHITECT :
AGC
 DESIGN LTD

MAIN CONTRACTOR :
Gammon

STRUCTURAL ENGINEER :
ARUP

FACADE CONSULTANT:
MEINHARDT

NOTE :
 1. ALL DIMENSIONS ARE IN mm.
 2. ALL ELEVATIONS ARE VIEWED FROM OUTSIDE.
 3. ALL DIMENSIONS TO BE VERIFIED ON SITE BEFORE FABRICATION.

LEGEND :
 X1 --- DETAIL MARK NO.
 X001 --- REFER SHEET NO.

1. F.F.L --- FINISHED FLOOR LEVEL
 2. S.F.L --- STRUCTURAL FLOOR LEVEL
 3. (2) --- REVERSED DETAIL
 4. ▲ --- FIXING LOCATION
 5. △ --- FIXING LUG LOCATION

6. GLASS LEGEND
 GLO1 --- 8mm+12mm AIR GAP+10mm THK. I.G.U.
 GLO1a --- 6mm+9mm AIR GAP+12mm THK. I.G.U.
 GLO2 --- 10mm THK. TEMPERED GLASS (SPANDREL GLASS)
 GLO3 --- 6mm+12mm AIR GAP+6mm THK. I.G.U.
 GLO4 --- 10mm THK. TEMPERED GLASS (PROTECTIVE BARRIER)
 GLO5 --- 6mm+12mm AIR GAP+8mm THK. I.G.U.

NO.	DATE	REVISION	BY
B	16/06/2020	REVISION SUBJECT TO ARCH/COMMENT	hwh
A	30/05/2020	REVISION SUBJECT TO ARCH/COMMENT	hwh

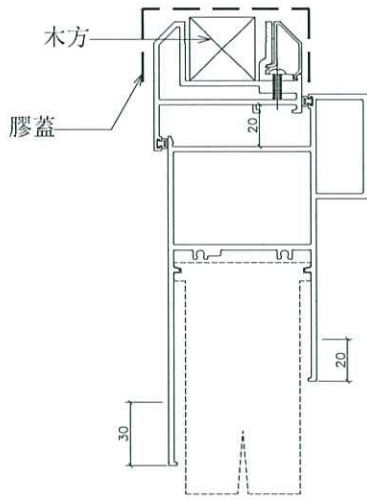
JOB NO. : J-852
 PROJECT :
 PROPOSED RESIDENTIAL DEVELOPMENT
 AT 139 - 147 ARGYLE STREET,
 NKIL 6005, 6035 R.P., 6036 R.P.,
 6037 R.P. & 6038 R.P.

TITLE :
 DETAIL FOR
 ALUM. WINDOW

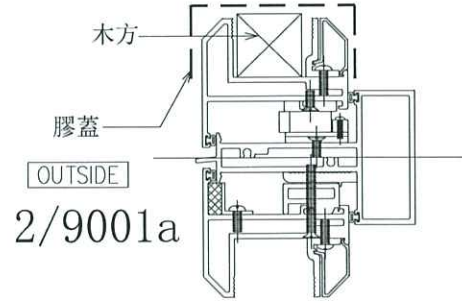
DATE : 05-Dec-19 SCALE : 1:2
 DRAWN BY : MN CHECKED BY : DW

MIDI 美特鋁質有限公司
 MIDI ALUMINIUM FABRICATOR LTD.
 Units 6-8, Sunray Industrial Centre, 1/F
 610 Cha Kwo Ling Road, Kowloon
 Tel:23489211-4 Fax:(852)2727866
 DWG NO. : J852-SD-PW-9003 REV. : -

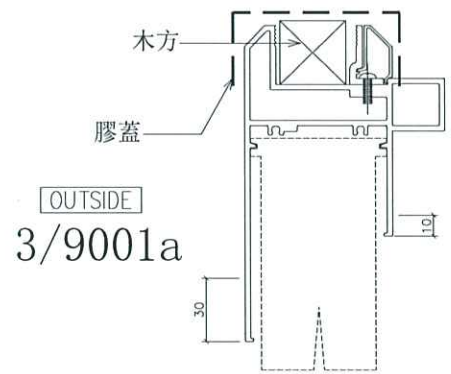




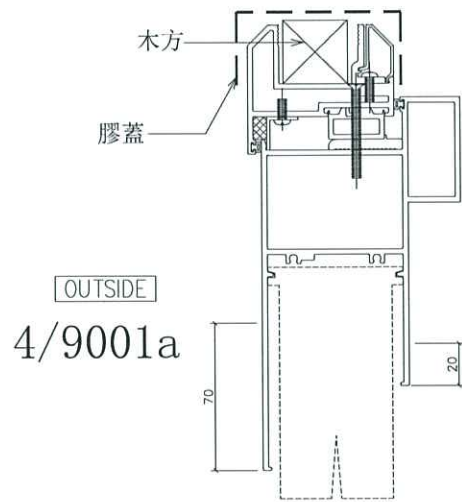
1/9001a



2/9001a



3/9001a



4/9001a

B.D. REF :

CLIENT :

ARCHITECT :
AGC DESIGN LTD

MAIN CONTRACTOR :
Gammon

STRUCTURAL ENGINEER :
ARUP

FACADE CONSULTANT:
MEINHARDT

NOTE:
1. ALL DIMENSIONS ARE IN mm.
2. ALL ELEVATIONS ARE VIEWED FROM OUTSIDE.
3. ALL DIMENSIONS TO BE VERIFIED ON SITE BEFORE FABRICATION.

LEGEND:
X1 --- DETAIL MARK NO.
2001 --- REFER SHEET NO.
1. F.F.L. --- FINISHED FLOOR LEVEL
2. S.F.L. --- STRUCTURAL FLOOR LEVEL
3. (Z) --- REVERSED DETAIL
4. ▲ --- FIXING LOCATION
5. △ --- FIXING LUG LOCATION
6. GLASS LEGEND
GL01 --- 8mm+12mm AIR GAP+10mm THK. L.G.U.
GL01a --- 8mm+9mm AIR GAP+12mm THK. L.G.U.
GL02 --- 10mm THK. TEMPERED GLASS (SPANDREL GLASS)
GL03 --- 6mm+12mm AIR GAP+6mm THK. L.G.U.
GL04 --- 10mm THK. TEMPERED GLASS (PROTECTIVE BARRIER)
GL05 --- 6mm+12mm AIR GAP+8mm THK. L.G.U.

NO.	DATE	REVISION	BY
E	16/06/2020	REVISION SUBJECT TO ARCH/COMMITMENT	MN
D	01/06/2020	REVISION SUBJECT TO ARCH/COMMITMENT	MN
C	03/03/2020	REVISION SUBJECT TO ARCH/COMMITMENT	SH
B	03/03/2020	REVISION SUBJECT TO ARCH/COMMITMENT	SH
A	24/02/2020	REVISION SUBJECT TO ARCH/COMMITMENT	SH

JOB NO. : J-852

PROJECT :
PROPOSED RESIDENTIAL DEVELOPMENT
AT 139 - 147 ARGYLE STREET,
NKIL 6005, 6035 R.P., 6036 R.P.,
6037 R.P. & 6038 R.P.

TITLE :
DETAIL FOR
ALUM. WINDOW

DATE : 05-Dec-19 SCALE : 1:2
DRAWN BY : MN CHECKED BY : DW

MIDI 美特鋁質有限公司
MIDI ALUMINIUM FABRICATOR LTD.
Units 6-8, Sunny Industrial Centre, 1/F
610 Chee Kwo Ling Road, Rowland
Tel:23489211-4 Fax:(852)2727666

DWG NO. : J852-SD-PW-9001a REV. : -

9