



工程指示 / 要求簡箋(E.I.)

工程指示編號：EI / 1954 / 20

修改版次：A

工程編號：J - 852

工程名稱：亞皆老街中電

工程項目：佛沙窗 - 保護方案

收件人：生統 / 王良

發件人：Bessie Lau

日期：06/07/2020

要求提供 / 確認 事項：

- | | | |
|------------------------------------|-------------------------------------|-------------------------------|
| <input type="checkbox"/> 初步鋁料 B.M. | <input type="checkbox"/> 加工拆圖，然後生產 | <input type="checkbox"/> 尺寸表 |
| <input type="checkbox"/> 正式鋁料 B.M. | <input type="checkbox"/> 技術上資料 / 指示 | <input type="checkbox"/> 報價 |
| <input type="checkbox"/> 配件 B.M. | <input type="checkbox"/> 樣辦或貨品說明書 | <input type="checkbox"/> 分判合約 |
| <input type="checkbox"/> 其他：_____ | | |

內容：

請按 J852 佛沙窗保護方案包裝。

注意：窗底要加木方和膠蓋，企身也要加木方和膠蓋

：膠紙和膠紙重疊位置要加皺紋膠紙

謝謝

請在 _____ 前完成上列要求。

附有關圖紙 / 文件：

以上項目為：

- 原合約工程包 原合約工程加 / 減賬 新工程報價

原因：-

分發東莞各部門：

- () 生產技術總監 連附件 () 技術部 連附件 () 生產部 連附件 () 機械設計部 連附件
 () 採購部 連附件 () 生產統籌部 連附件
 () 質檢部 連附件 () 會計部 連附件 () 報關組 連附件 () 其他 _____ 連附件

分發其他分判：

- (v) 水洪 連附件

分發香港各部門：

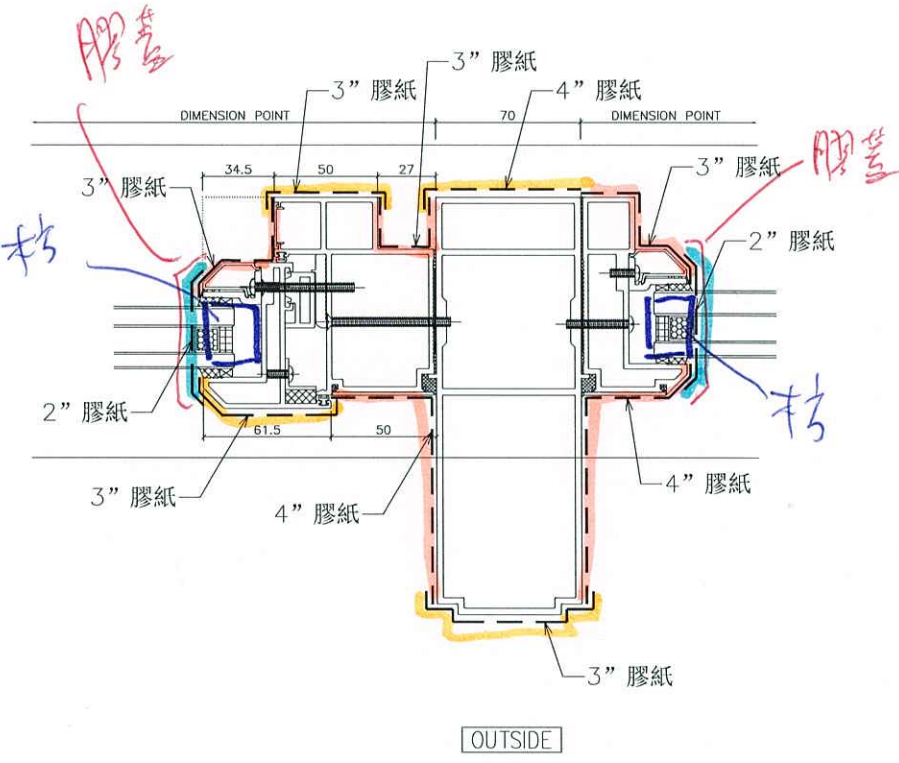
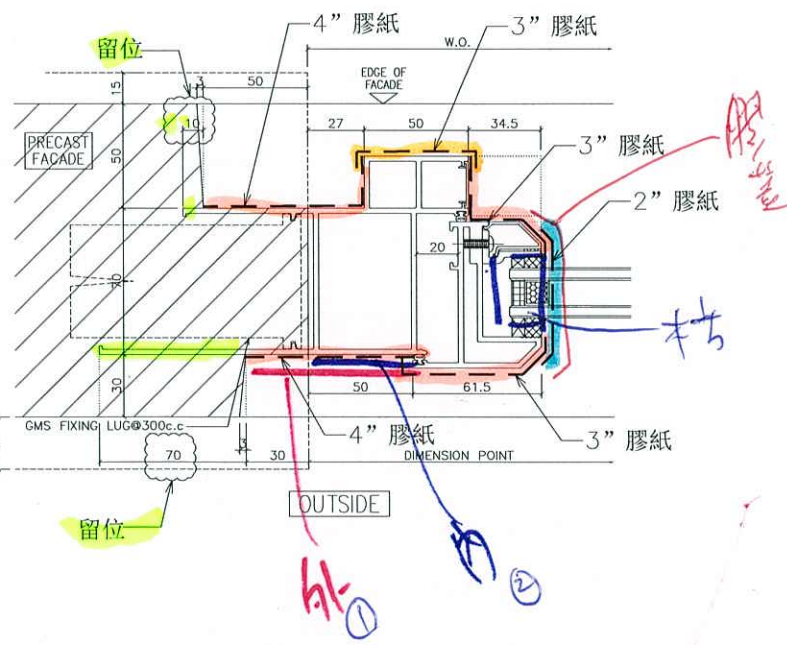
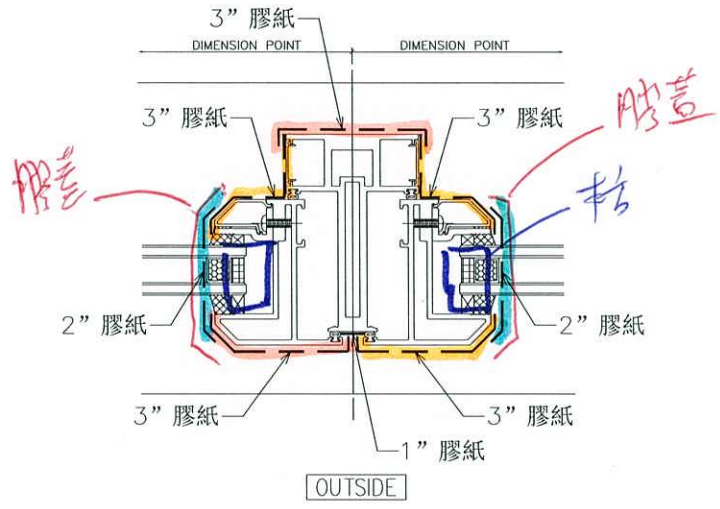
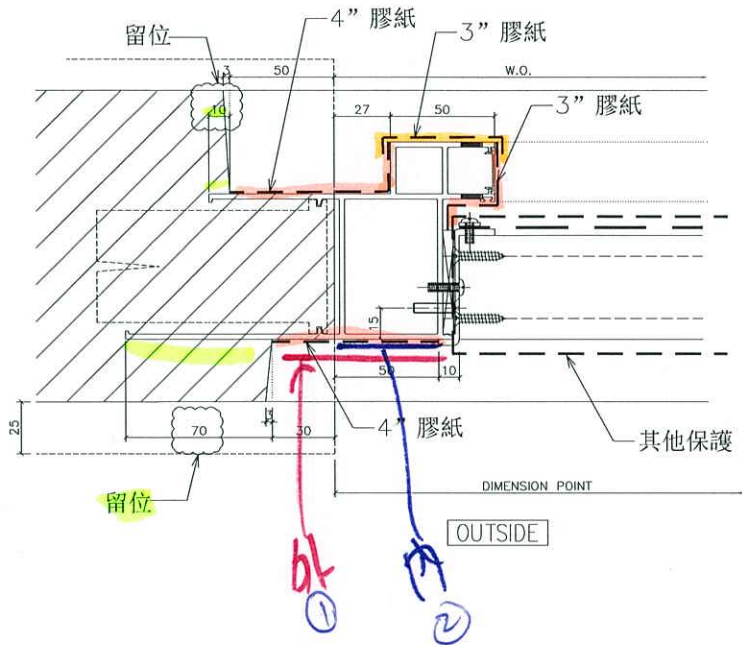
- () 行政部 連附件 () 會計部 連附件 () 統籌部 連附件 () 工程部地盤科文 連附件
 () 採購部 連附件 () QS 部 連附件 () 維修部 連附件 () 其他 _____ 連附件

傳遞編號：

HK (323) / 20

發件人簽署：

項目經理簽署：



B.D. REF :
 CLIENT :
 ARCHITECT :
AGC DESIGN LTD

MAIN CONTRACTOR :
Gammon

STRUCTURAL ENGINEER :
ARUP
 FACADE CONSULTANT :
MEINHARDT

NOTE:
 1. ALL DIMENSIONS ARE IN mm.
 2. ALL ELEVATIONS ARE VIEWED FROM OUTSIDE.
 3. ALL DIMENSIONS TO BE VERIFIED ON SITE BEFORE FABRICATION.

LEGEND :
 ① -- DETAIL MARK NO.
 ② -- REFER SHEET NO.
 1. F.F.L. -- FINISHED FLOOR LEVEL
 2. S.F.L. -- STRUCTURAL FLOOR LEVEL
 3. (R) -- REVERSED DETAIL
 4. ▲ -- FIXING LOCATION
 5. △ -- FIXING LUG LOCATION
 6. GLASS LEGEND
 GL01 -- 8mm+12mm AIR GAP+10mm THK. I.G.U.
 GL01G -- 8mm+2mm AIR GAP+12mm THK. I.G.U.
 GL02 -- 10mm THK. TEMPERED GLASS (SPANDREL GLASS)
 GL03 -- 6mm+12mm AIR GAP+6mm THK. I.G.U.
 GL04 -- 10mm THK. TEMPERED GLASS (PROTECTIVE BARRIER)
 GL05 -- 6mm+12mm AIR GAP+6mm THK. I.G.U.

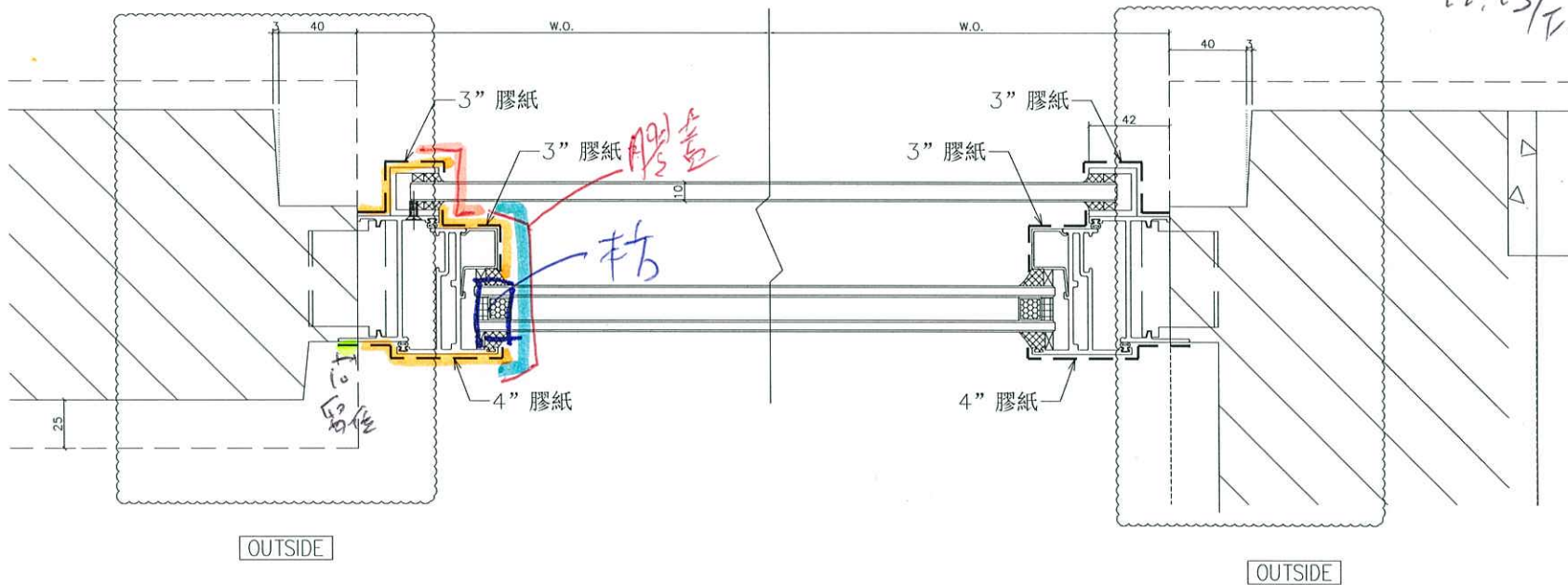
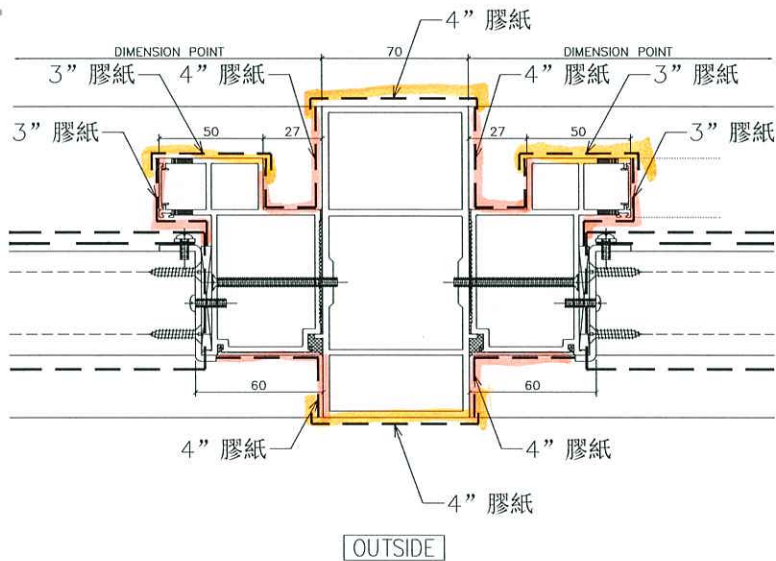
NO.	DATE	REVISION	BY
C	16/06/2020	REVISION SUBJECT TO ARCH COMMENT	lvr
D	05/06/2020	REVISION SUBJECT TO ARCH COMMENT	lvr
C	09/05/2020	REVISION SUBJECT TO ARCH COMMENT	lvr
B	03/03/2020	REVISION SUBJECT TO ARCH COMMENT	SH
A	24/02/2020	REVISION SUBJECT TO ARCH COMMENT	SH

JOB NO. : J-852
 PROJECT :
 PROPOSED RESIDENTIAL DEVELOPMENT
 AT 139 - 147 ARGYLE STREET,
 NKIL 6005, 6035 R.P., 6036 R.P.,
 6037 R.P. & 6038 R.P.

TITLE :
 DETAIL FOR
 ALUM. WINDOW

DATE : 05-Dec-19 SCALE : 1:2
 DRAWN BY : MN CHECKED BY : DW

美特鋁質有限公司
 MIDAL ALUMINIUM FABRICATOR LTD.
 Units 6-8, Sunray Industrial Centre, 1/F
 810 Che Kwo Ling Road, Kowloon
 Tel:23489211-4 Fax:(852)27727666
 DWG NO. : J852-SD-PW-5003 REV. : E



B.D. REF :
 CLIENT :

ARCHITECT :
AGC DESIGN LTD

MAIN CONTRACTOR :
Gammon
 STRUCTURAL ENGINEER :
ARUP
 FACADE CONSULTANT:
MEINHARDT

NOTE:
 1. ALL DIMENSIONS ARE IN mm.
 2. ALL ELEVATIONS ARE VIEWED FROM OUTSIDE.
 3. ALL DIMENSIONS TO BE VERIFIED ON SITE BEFORE FABRICATION.

LEGEND:
 1. (M) --- DETAIL MARK NO.
 2. (R001) --- REFER SHEET NO.
 1. F.F.L. --- FINISHED FLOOR LEVEL
 2. S.F.L. --- STRUCTURAL FLOOR LEVEL
 3. (R) --- REVERSED DETAIL
 4. (X) --- FIXING LOCATION
 5. (A) --- FIXING LUG LOCATION
 6. GLASS LEGEND:
 GLO1 --- 6mm+12mm AIR GAP+10mm THK. LG.U.
 GLO2 --- 6mm+12mm AIR GAP+12mm THK. LG.U.
 GLO3 --- 10mm THK. TEMPERED GLASS (SPANDREL GLASS)
 GLO4 --- 6mm+12mm AIR GAP+6mm THK. LG.U.
 GLO5 --- 10mm THK. TEMPERED GLASS (PROTECTIVE BARRIER)
 GLO6 --- 6mm+12mm AIR GAP+8mm THK. LG.U.

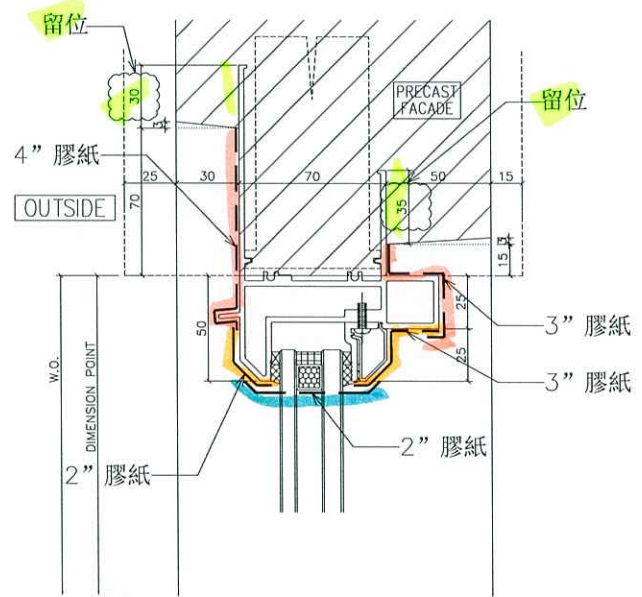
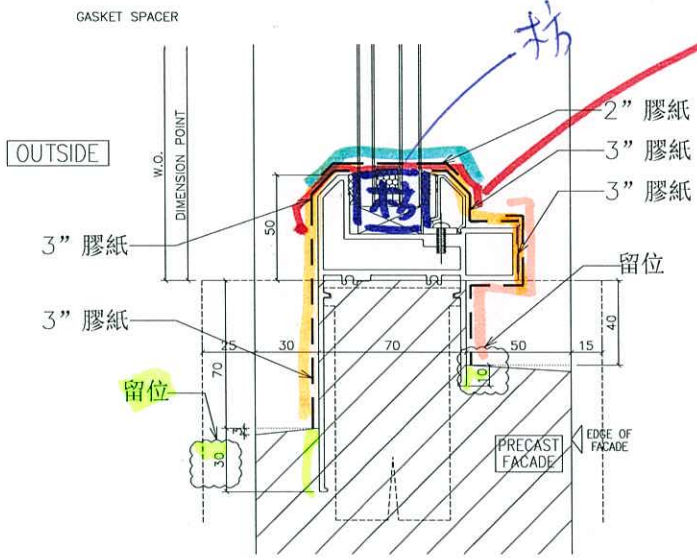
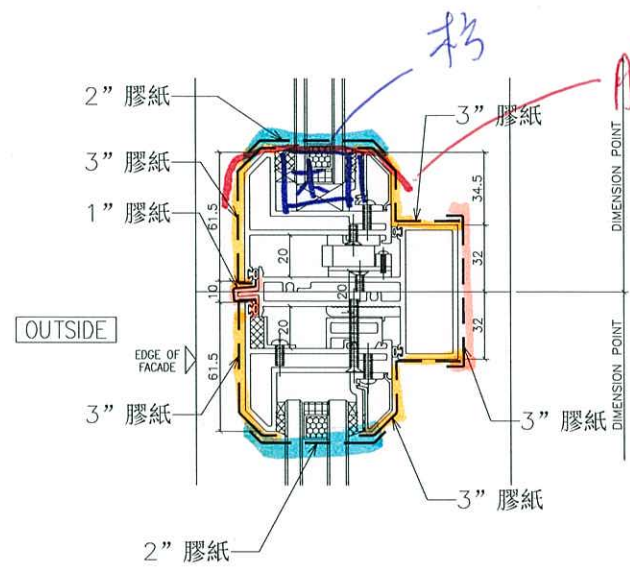
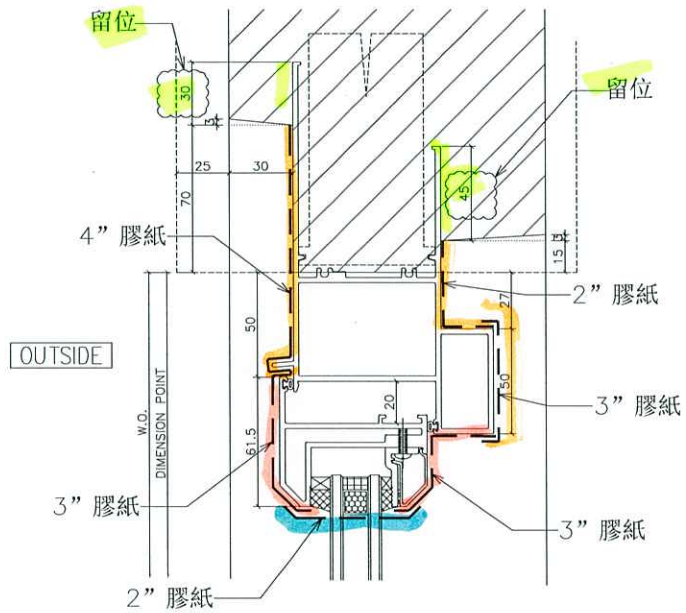
NO.	DATE	REVISED	BY
B	16/06/2020	REVISION SUBJECT TO ARCH/COMMENT	MAN
A	30/05/2020	REVISION SUBJECT TO ARCH/COMMENT	MAN

JOB NO. : J-852
 PROJECT :
 PROPOSED RESIDENTIAL DEVELOPMENT
 AT 139 - 147 ARCYLE STREET,
 NKIL 6005, 6035 R.P., 6036 R.P.,
 6037 R.P. & 6038 R.P.

TITLE :
 DETAIL FOR
 ALUM. WINDOW

DATE : 05-Dec-19 SCALE : 1:2
 DRAWN BY : MN CHECKED BY : DW

美特銘質有限公司
MIDI ALUMINIUM FABRICATOR LTD.
 Units 6-8, Sunray Industrial Centre, 1/F
 610 Che Kwo Ling Road, Kowloon
 Tel:23489211-4 Fax:(852)27727666
 DWG NO. : JB52-SD-PW-5006 REV. : B



B.D. REF : _____

CLIENT : _____

ARCHITECT : **AGC DESIGN LTD**

MAIN CONTRACTOR : **Gammon**

STRUCTURAL ENGINEER : **ARUP**

FACADE CONSULTANT : **MEINHARDT**

NOTE :

- ALL DIMENSIONS ARE IN mm.
- ALL ELEVATIONS ARE VIEWED FROM OUTSIDE.
- ALL DIMENSIONS TO BE VERIFIED ON SITE BEFORE FABRICATION.

LEGEND :

X1 — DETAIL MARK NO.
X001 — REFER SHEET NO.

- F.F.L. — FINISHED FLOOR LEVEL
- S.F.L. — STRUCTURAL FLOOR LEVEL
- ⑦ — REVERSED DETAIL
- ▲ — FIXING LOCATION
- △ — FIXING LUG LOCATION

GLASS LEGEND

GL01 — 8mm+12mm AIR GAP+10mm THK LGU
 GL01a — 8mm+9mm AIR GAP+10mm THK LGU
 GL02 — 10mm THK TEMPERED GLASS (SPANDREL GLASS)
 GL03 — 6mm+12mm AIR GAP+6mm THK LGU
 GL04 — 10mm THK TEMPERED GLASS (PROTECTIVE GLASS)
 GL05 — 6mm+12mm AIR GAP+8mm THK LGU

E	DATE	REVISION	SUBJECT TO APPROVAL	BY
E	16/06/2020	REVISION	SUBJECT TO APPROVAL	MN
D	01/06/2020	REVISION	SUBJECT TO APPROVAL	MN
C	03/03/2020	REVISION	SUBJECT TO APPROVAL	SH
B	03/03/2020	REVISION	SUBJECT TO APPROVAL	SH
A	24/07/2020	REVISION	SUBJECT TO APPROVAL	SH
ML	DATE	BY	REVISION	BY

JOB NO. : J-852

PROJECT : PROPOSED RESIDENTIAL DEVELOPMENT AT 139 - 147 ARGYLE STREET, NKIL 6005, 6035 R.P., 6036 R.P., 6037 R.P. & 6038 R.P.

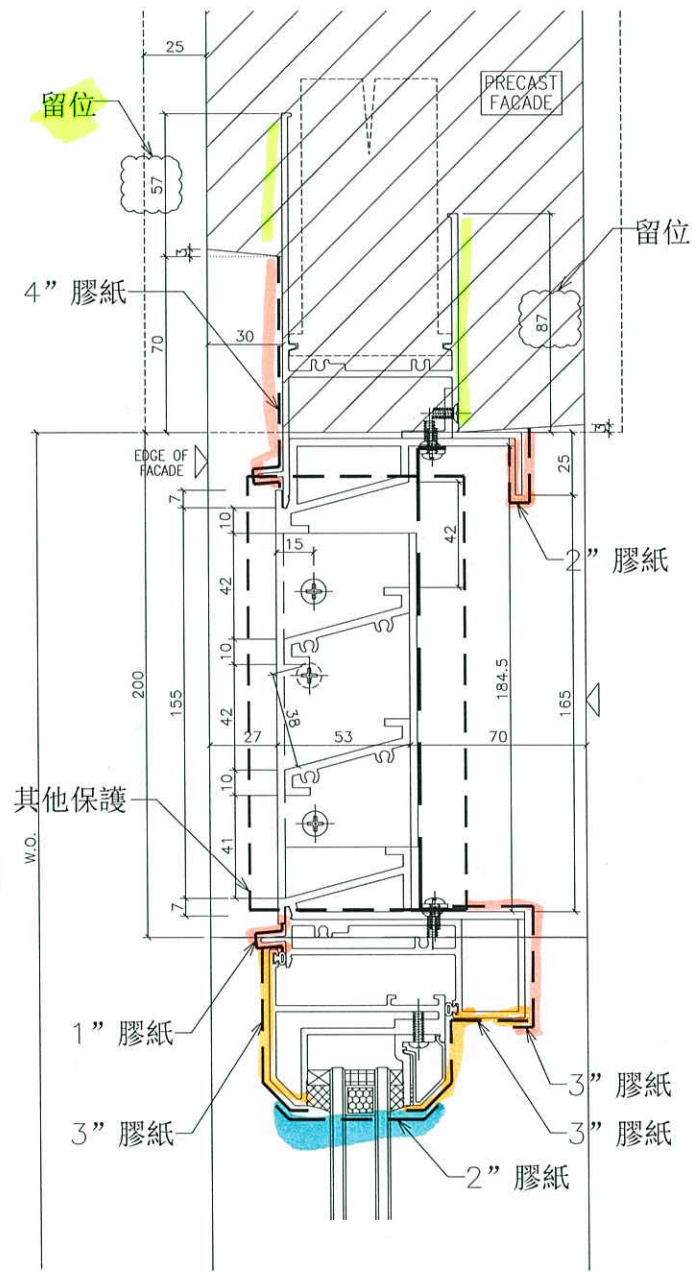
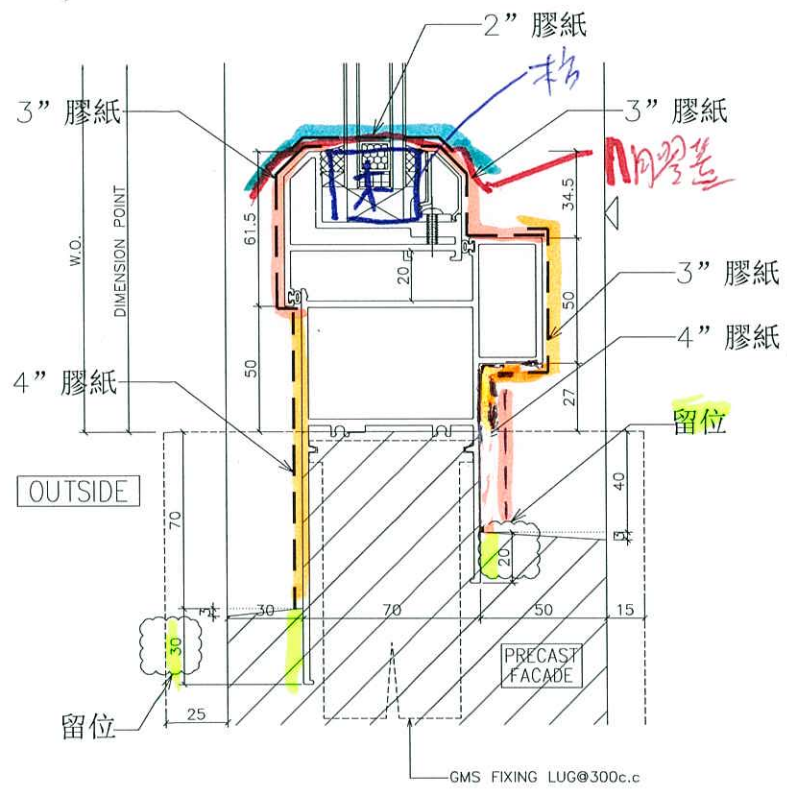
TITLE : DETAIL FOR ALUM. WINDOW

DATE : 05-Dec-19 SCALE : 1:2

DRAWN BY : MN CHECKED BY : DW

美特鋁質有限公司
 MIDT ALUMINIUM FABRICATOR LTD.
 Units 6-8, Sunray Industrial Centre, 1/F
 610 Cho Kwo Ling Road, Kowloon
 Tel: 23489211-4 Fax: (852) 2727666

DWG NO. : J852-S0-PW-6001 REV. : E



OUTSIDE

3 VERTICAL DETAIL
SCALE 1:2

B.O. REF :

CLIENT :

ARCHITECT :
AGC DESIGN LTD

MAIN CONTRACTOR :
Gammon

STRUCTURAL ENGINEER :
ARUP

FAÇADE CONSULTANT :
MEINHARDT

NOTE :
1. ALL DIMENSIONS ARE IN mm.
2. ALL ELEVATIONS ARE VIEWED FROM OUTSIDE.
3. ALL DIMENSIONS TO BE VERIFIED ON SITE BEFORE FABRICATION.

LEGEND :
X1 --- DETAIL MARK NO.
X007 --- REFER SHEET NO.

1. F.F.L. --- FINISHED FLOOR LEVEL
2. S.F.L. --- STRUCTURAL FLOOR LEVEL
3. (⊗) --- REVERSED DETAIL
4. ▲ --- FIXING LOCATION
5. △ --- FIXING LUG LOCATION

6. GLASS LEGEND
GLO1 --- 8mm+12mm AIR GAP+10mm THK LGU
GLO2 --- 10mm THK TAMPED GLASS (SPARE) LGU
GLO3 --- 6mm+12mm AIR GAP+6mm THK LGU
GLO4 --- 10mm THK TAMPED GLASS (PROTECTIVE BARRIER)
GLO5 --- 6mm+12mm AIR GAP+8mm THK LGU

NO.	DATE	REVISION	BY
E	16/06/2020	REVISION SUBJECT TO ARCHITECTMENT	VEN
D	01/06/2020	REVISION SUBJECT TO ARCHITECTMENT	VEN
C	09/05/2020	REVISION SUBJECT TO ARCHITECTMENT	VEN
B	03/03/2020	REVISION SUBJECT TO ARCHITECTMENT	SH
A	24/02/2020	REVISION SUBJECT TO ARCHITECTMENT	SH

JOB NO. : J-852

PROJECT :
PROPOSED RESIDENTIAL DEVELOPMENT
AT 139 - 147 ARGYLE STREET,
MKIL 6005, 6035 R.P., 6036 R.P.,
6037 R.P. & 6038 R.P.

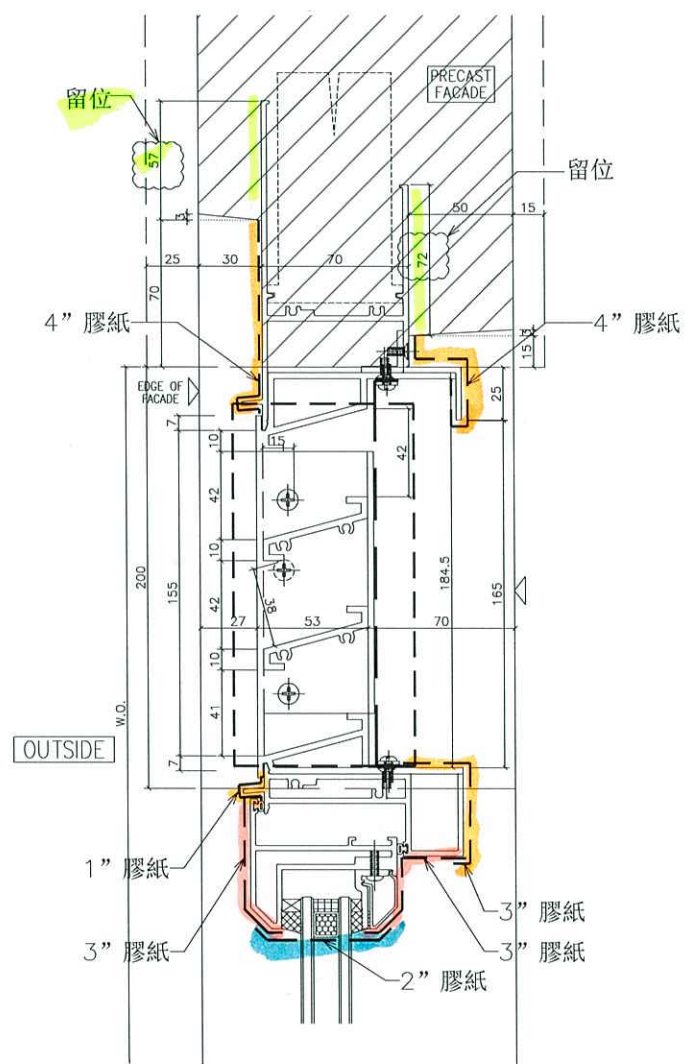
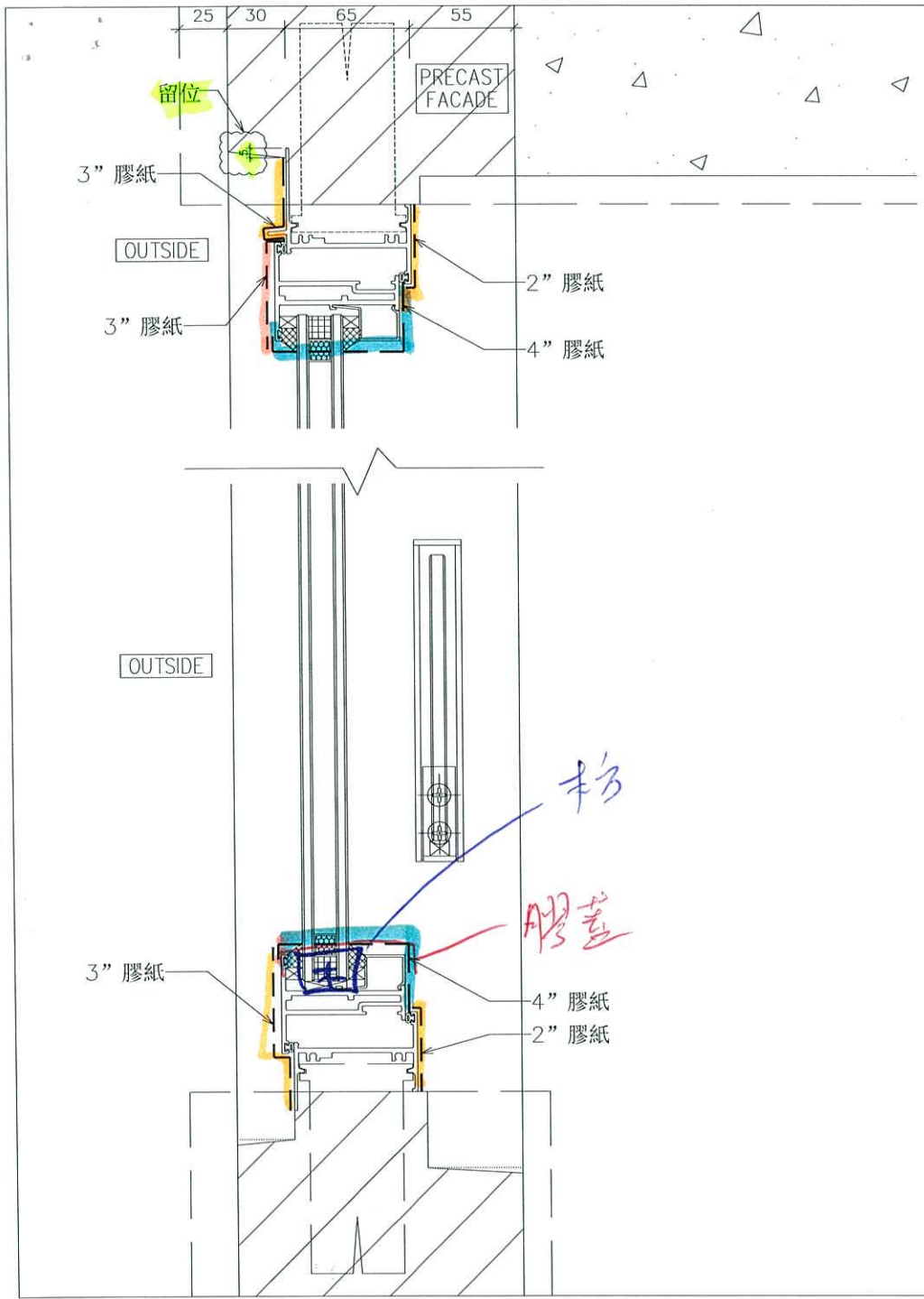
TITLE :
DETAIL FOR
ALUM. WINDOW

DATE : 05-Dec-19 SCALE : 1:2

DRAWN BY : MN CHECKED BY : DW

美特鋁質有限公司
MIDI ALUMINIUM FABRICATOR LTD.
Units 6-8, Sunny Industrial Centre, 1/F
610 Cha Kwo Ling Road, Kowloon
Tel: 23489211-4 Fax: (852) 2772666

DWG NO. : JB52-SD-PW-6002 REV. : E



B.D. REF : _____

CLIENT : _____

ARCHITECT : **AGC DESIGN LTD**

MAIN CONTRACTOR : **Gammon**

STRUCTURAL ENGINEER : **ARUP**

FACADE CONSULTANT : **MEINHARDT**

NOTE :
 1. ALL DIMENSIONS ARE IN mm.
 2. ALL ELEVATIONS ARE VIEWED FROM OUTSIDE.
 3. ALL DIMENSIONS TO BE VERIFIED ON SITE BEFORE FABRICATION.

LEGEND :
 (X1) --- DETAIL MARK NO.
 (X000) --- REFER SHEET NO.

1. F.F.L. --- FINISHED FLOOR LEVEL
 2. S.F.L. --- STRUCTURAL FLOOR LEVEL
 3. (⊗) --- REVERSED DETAIL
 4. ▲ --- FIXING LOCATION
 5. △ --- FIXING LUG LOCATION

6. GLASS LEGEND
 GL01 --- 8mm+12mm AIR GAP+10mm THK. L.G.U.
 GL01a --- 8mm+9mm AIR GAP+12mm THK. L.G.U.
 GL02 --- 10mm THK. TEMPERED GLASS (SPANDREL GLASS)
 GL03 --- 6mm+12mm AIR GAP+6mm THK. L.G.U.
 GL04 --- 10mm THK. TEMPERED GLASS (PROTECTIVE BARRIER)
 GL05 --- 6mm+12mm AIR GAP+8mm THK. L.G.U.

NO.	DATE	REVISION	SUBJECT TO APPROVAL	BY
C	16/06/2020	REVISION	SUBJECT TO APPROVAL	MAN
B	01/06/2020	REVISION	SUBJECT TO APPROVAL	MAN
A	09/05/2020	REVISION	SUBJECT TO APPROVAL	MAN

JOB NO. : J-852

PROJECT : PROPOSED RESIDENTIAL DEVELOPMENT AT 139 - 147 ARCYLE STREET, NKIL 6005, 6035 R.P., 6036 R.P., 6037 R.P. & 6038 R.P.

TITLE : DETAIL FOR ALUM. WINDOW

DATE : 05-Dec-19 SCALE : 1:2

DRAWN BY : MN CHECKED BY : DW

美特鋁質有限公司
 MIDI ALUMINIUM FABRICATOR LTD.
 Units 6-8, Sunray Industrial Centre, 1/F
 610 Chee Koo Ling Road, Kowloon
 Tel: 23489211-4 Fax: (852) 27727666

DWG NO. : J852-SD-PW-6006 REV. : C