



工程指示 / 要求簡箋(E.I.)

工程指示編號：EI / 1946 / 20

修改版次：

工程編號：J - 852

工程名稱：亞皆老街中電

工程項目：AC Grille 鋁梳子 地盤用預埋碼 (標準層 2-23/F)

收件人：MAGGIE

發件人：Ant Yeung

日期：09/06/2020

要求提供 / 確認 事項：

- |                                    |                                     |                               |
|------------------------------------|-------------------------------------|-------------------------------|
| <input type="checkbox"/> 初步鋁料 B.M. | <input type="checkbox"/> 加工拆圖，然後生產  | <input type="checkbox"/> 尺寸表  |
| <input type="checkbox"/> 正式鋁料 B.M. | <input type="checkbox"/> 技術上資料 / 指示 | <input type="checkbox"/> 報價   |
| <input type="checkbox"/> 配件 B.M.   | <input type="checkbox"/> 樣辦或貨品說明書   | <input type="checkbox"/> 分判合約 |
| <input type="checkbox"/> 其他：_____  |                                     |                               |

內容：

請 訂購 AC Grille 鋁梳子用預埋碼 J852-EB-A 送地盤 (標準層 2/F-23/F 用)

T1B, T2B, T3B 單位 AC platform 用

注意：1. 先驗焊 80 隻，出貨 80 隻

2. 餘數 300 隻 待有 BD consent 後，再通知驗焊，再出貨。

Plug Weld, Fillet Weld 驗焊 for AC Grille (100% Visual, 10% MPI)

請在 2020.07.03 前完成上列要求。

附：6 頁

以上項目為：


- 原合約工程包                       原合約工程加 / 減賬                       新工程報價

原因：-

分發東莞各部門：

- ( ) 生產技術總監  連附件    ( ) 技術部     連附件    ( ) 生產部     連附件    ( ) 機械設計部  連附件  
 ( ) 採購部     連附件    ( ) 生產統籌部  連附件  
 ( ) 質檢部     連附件    ( ) 會計部     連附件    ( ) 報關組     連附件    ( ) 其他 \_\_\_\_\_  連附件

分發香港各部門：

- ( ) 行政部  連附件    ( ) 會計部  連附件    ( ) 統籌部  連附件    ( ) 工程部地盤科文  連附件 祥哥 /   
 ( ) 採購部  連附件    ( ) QS 部     連附件    ( ) 維修部  連附件    ( ) 其他 \_\_\_\_\_  連附件

傳遞編號：

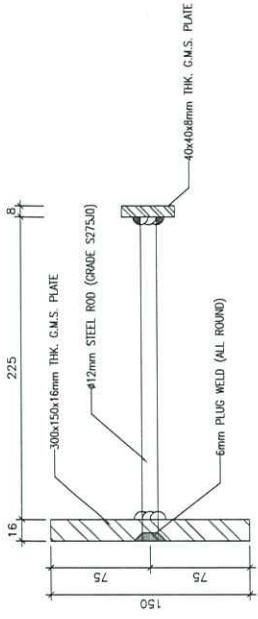
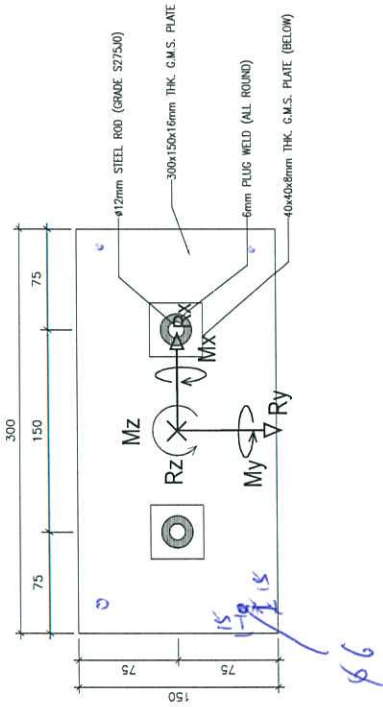
發件人簽署：

項目經理簽署：

For 1946

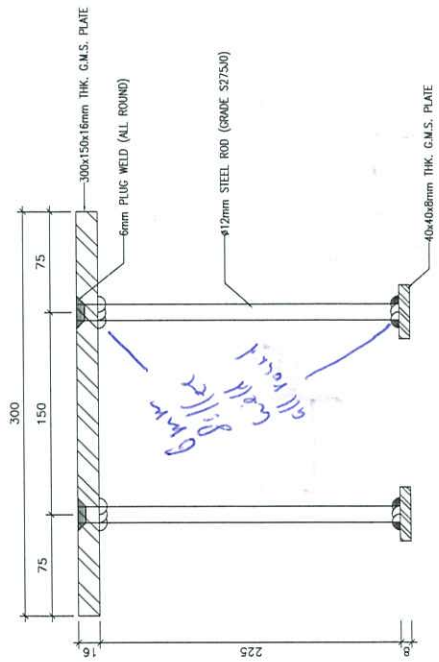
Ac grille

9/c

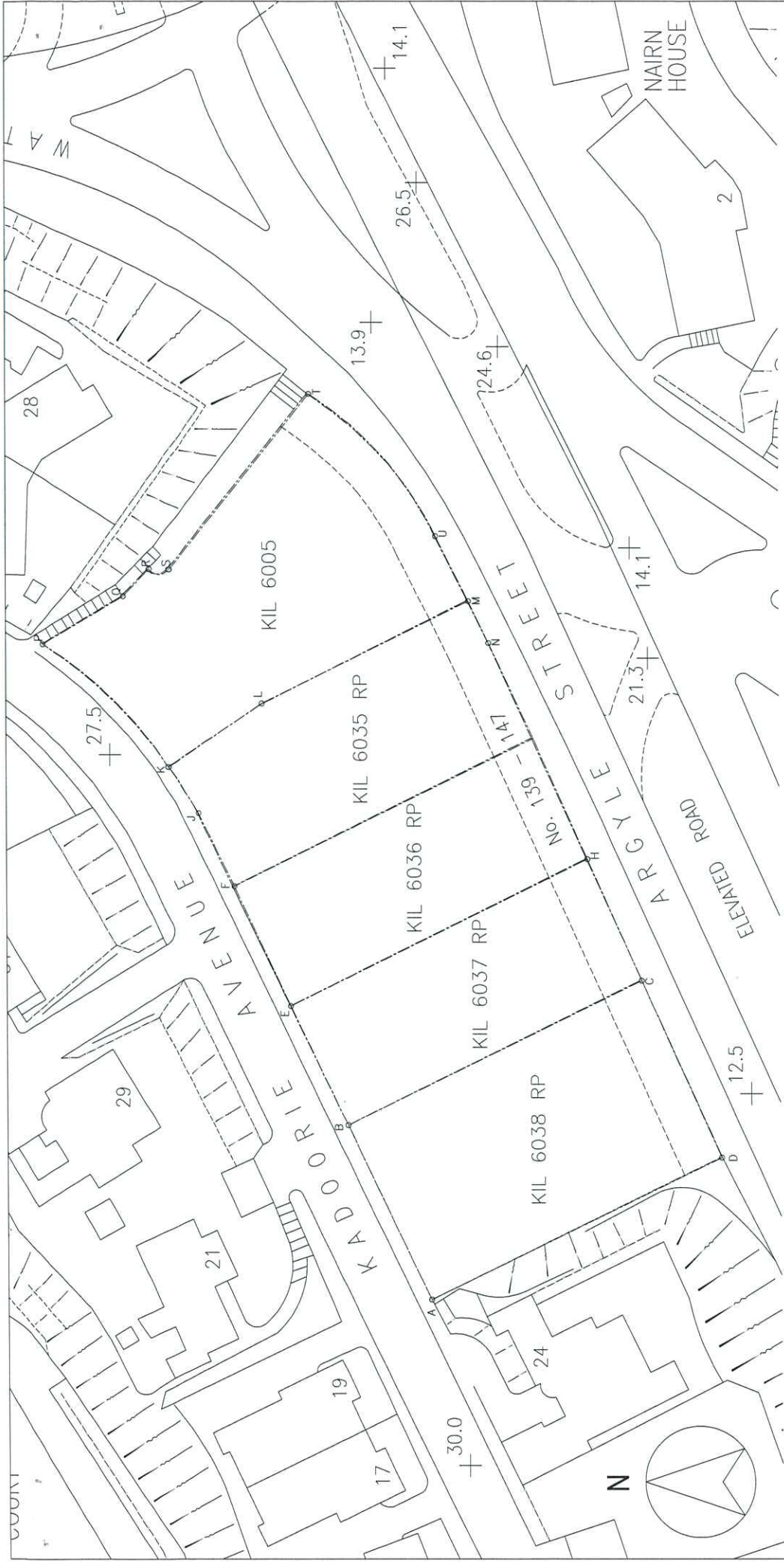


T1 B  
T2 B  
T3 B

3 X 20 X 6 = 360 + 20  
柱 每层  
(= 380)



TYPE	DESCRIPTION	BOND LENGTH	LOCATION	CASE	MAX c/c
FD 4	300x150x16mm THK G.M.S. CAST-IN EMBED	340	AC. GRILLE	TYPICAL	---



**PROJECT: PROPOSED RESIDENTIAL DEVELOPMENT AT 139 - 147 ARGYLE STREET,  
 NKIL 6005, 6035 R.P., 6036 R.P., 6037 R.P., 6038 R.P.**

**1**

**TITLE: AC GRILLE  
 BD DRAWING SUBMISSION**

**DATE: 28 - APRIL - 2020**









B.D. REF :  
 CLIENT :  
 ARCHITECT :  
 MAIN CONTRACTOR :

AGC  
 BESTEST LTD  
 11/F, 110, WING LOK STREET, HONG KONG

**Gammon**  
 STRUCTURAL ENGINEER :  
**ARUP**  
 PROJECT CONSULTANT:  
**MEINHARDT**

NOTE:  
 1. ALL DIMENSIONS ARE IN mm.  
 2. ALL ELEVATIONS ARE VIEWED FROM OUTSIDE.  
 3. ALL DIMENSIONS TO BE VERIFIED ON SITE BEFORE FABRICATION.  
 LEGEND:  
 DETAIL MARK NO.  
 REFER SHEET NO.  
 1. F.F.L. --- FINISHED FLOOR LEVEL  
 2. S.F.L. --- STRUCTURAL FLOOR LEVEL  
 3. --- REVERSED DETAIL

SIU Koon Hoi Carmine  
 Authorized Person  
 Registered Professional Engineer  
 Independent Consulting Engineer

B.D. SUBMISSION

JOB NO. : J-852  
 PROJECT : PROPOSED RESIDENTIAL DEVELOPMENT AT 139 - 147 ARGYLE STREET, NKIL 6005, 6035 R.P.P., 6036 R.P.P., 6037 R.P.P. & 6038 R.P.P.

TITLE : AC GRILLE LAYOUT PLAN T2: 22/F

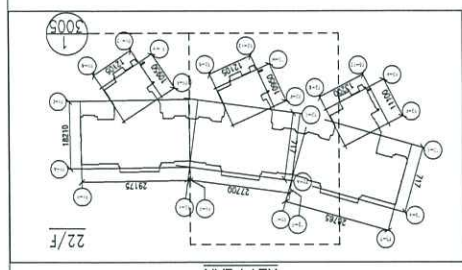
DATE : 20-APR-2020 SCALE : 1:80  
 DRAWN BY : MN CHECKED BY : DW  
 美特銘實有限公司  
 Meite Ming Shing Co., Ltd.  
 510 Chee Kwo Ling Road, Kowloon  
 Tel: 22489211-4 Fax: (852) 2727665  
 DMC NO. : JB52-BD-ACS-3005 REV. : -

REMARK: DETAIL RC STRUCTURAL UNDER SEPARATED SUBMISSION

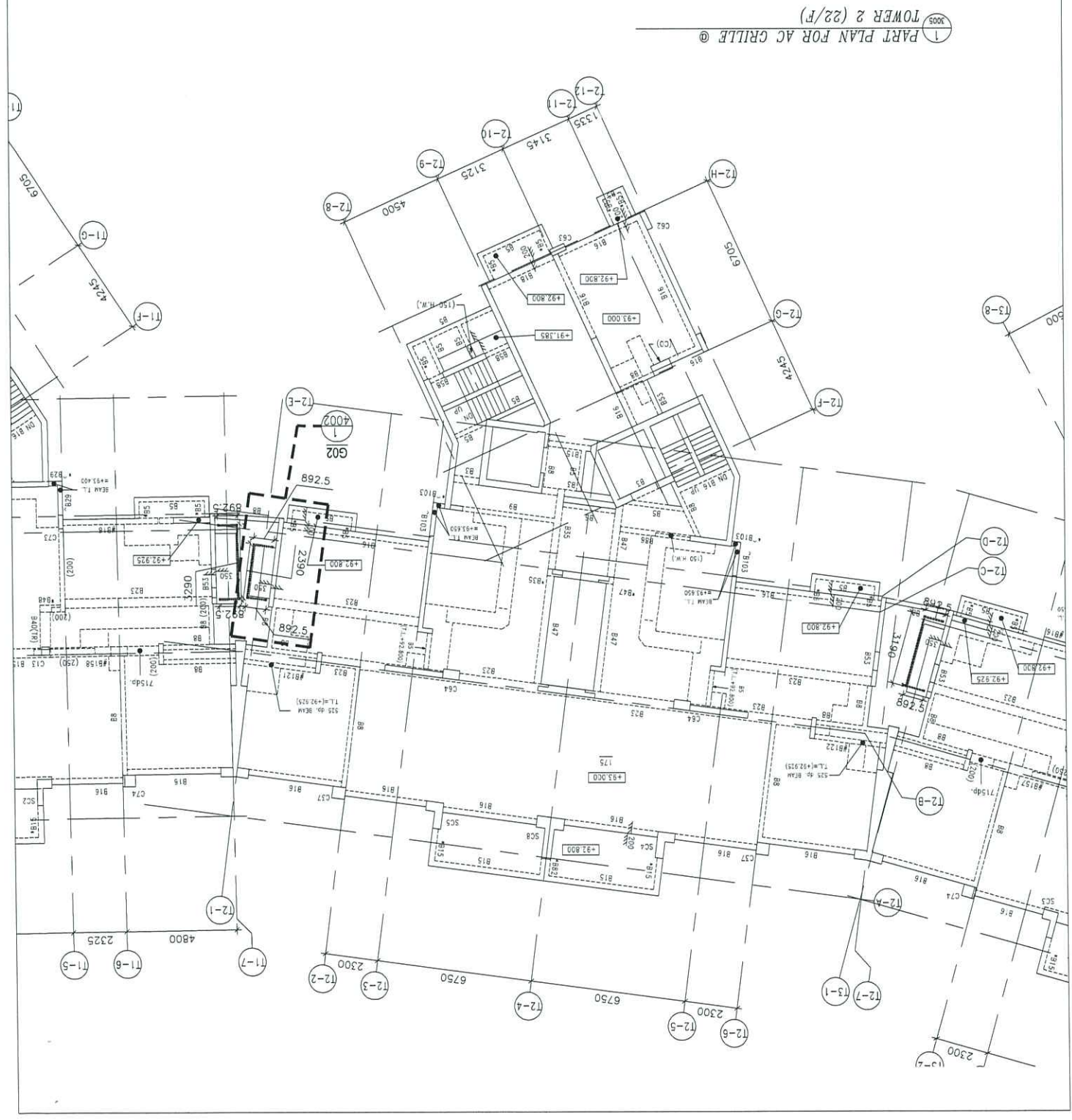
MARK	SIZE	MARK	SIZE
C10	450x500	C78	600x400
C11	200x300	C82	300x150
C13	350x350		
C14	300x300		
C17	300x200		
C18	600x230		
C19	400x600		
C22	400x600		
C23	600x230		
C25	300x300		
C27	1000x400		
C28	250x800		
C29	675x300		
C31	300x300		
C32	300x300		
C33	300x300		
C34	300x300		
C35	300x300		
C36	450x200		
C37	500x475		
C38	500x475		
C39	500x475		
C40	725x300		
C41	400x605		
C42	400x555		

(22/F) BEAM SCHEDULE (FOR INFORMATION ONLY)

1 PART PLAN FOR AC GRILLE @ TOWER 2 (22/F)



KEY PLAN



B.D. REF. :  
 CLIENT :  
 ARCHITECT :  
 MAIN CONTRACTOR :

AGC  
 BESTER LTD  
 11/F, 110, WING LOK STREET, KOWLOON  
 HONG KONG

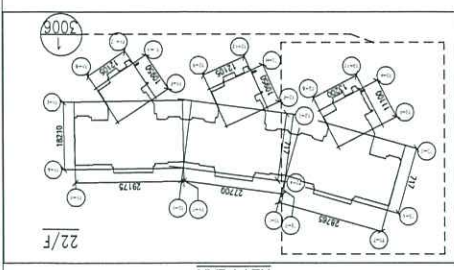
**Gammon**  
 STRUCTURAL ENGINEER :  
**ARUP**  
 FACADE CONSULTANT:  
**MEINHARDT**

NOTE:  
 1. ALL DIMENSIONS ARE IN MM.  
 2. ALL ELEVATIONS ARE VIEWED FROM OUTSIDE.  
 3. ALL DIMENSIONS TO BE VERIFIED ON SITE BEFORE FABRICATION.  
 LEGEND:  
 (X) DETAIL MARK NO.  
 (X) REFER SHEET NO.  
 1. F.F.L. — FINISHED FLOOR LEVEL  
 2. S.F.L. — STRUCTURAL FLOOR LEVEL  
 3. (P) — REVERSED DETAIL

SIU Koon Hoi Carmine  
 Authorised Structural Engineer  
 Registered Professional Engineer  
 Independent Checking Engineer  
**B.D. SUBMISSION**

JOB NO. : J-852  
 PROJECT : PROPOSED RESIDENTIAL DEVELOPMENT  
 AT 139 - 147 ARGYLE STREET,  
 NKIL 6005, 6035 R.P., 6036 R.P.,  
 6037 R.P. & 6038 R.P.  
 TITLE : AC GRILLE  
 LAYOUT PLAN  
 T3: 22/F

DATE : 20-APR-2020 SCALE : 1:80  
 DRAWN BY : AMN CHECKED BY : LW  
**美特鋸質有限公司**  
 MTDI  
 1/F, 110, WING LOK STREET, KOWLOON  
 HONG KONG  
 610 Che Kwo Ling Road, Kowloon  
 Tel: 2488211-4 Fax: (852) 2727666  
 DWG NO. : J852-BD-ACG-3006 REV. : -



B.D. REF :

CLIENT :

ARCHITECT :

AGC  
ARCHITECTURE  
11/F, 110, WING LOK STREET,  
HONG KONG

MAIN CONTRACTOR :

Gammon

STRUCTURAL ENGINEER :

ARUP

PACKAGE CONSULTANT :

MEINHARDT

NOTE:  
1. ALL DIMENSIONS ARE IN mm.  
2. ALL ELEVATIONS ARE VIEWED FROM OUTSIDE.  
3. ALL DIMENSIONS TO BE VERIFIED ON SITE BEFORE FABRICATION.

LEGEND:

- 1. P.F.L. --- FINISHED FLOOR LEVEL
- 2. S.F.L. --- STRUCTURAL FLOOR LEVEL
- 3. --- REVERSED DETAIL

DETAIL MARK NO. REFER SHEET NO.

SIU Koon Hoi Carmine  
Authorised Person  
Registered Professional Engineer  
Independent Consulting Engineer

B.D. SUBMISSION

JOB NO. : J-852

PROJECT :  
PROPOSED RESIDENTIAL DEVELOPMENT  
AT 139 - 147 ARGYLE STREET,  
MKL 6005, 6035 R.P., 6036 R.P.,  
6037 R.P. & 6038 R.P.

TITLE :  
AC GRILLE  
LAYOUT PLAN T1  
23/F

DATE : 20-APR-2020 SCALE : 1:80

DRAWN BY : MN CHECKED BY : DMW

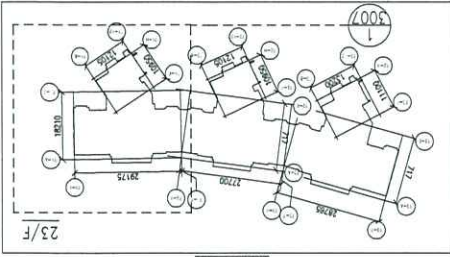
美特銘實有限公司  
M.T.M. Engineering & Construction Ltd.  
Units 6-8, Sunny Plaza, 100, Nathan Road,  
Kowloon, Hong Kong  
Tel: 2448211-4 Fax: (852) 2727668

DWG NO. : JBS2-BD-ACG-3007 REV. : -

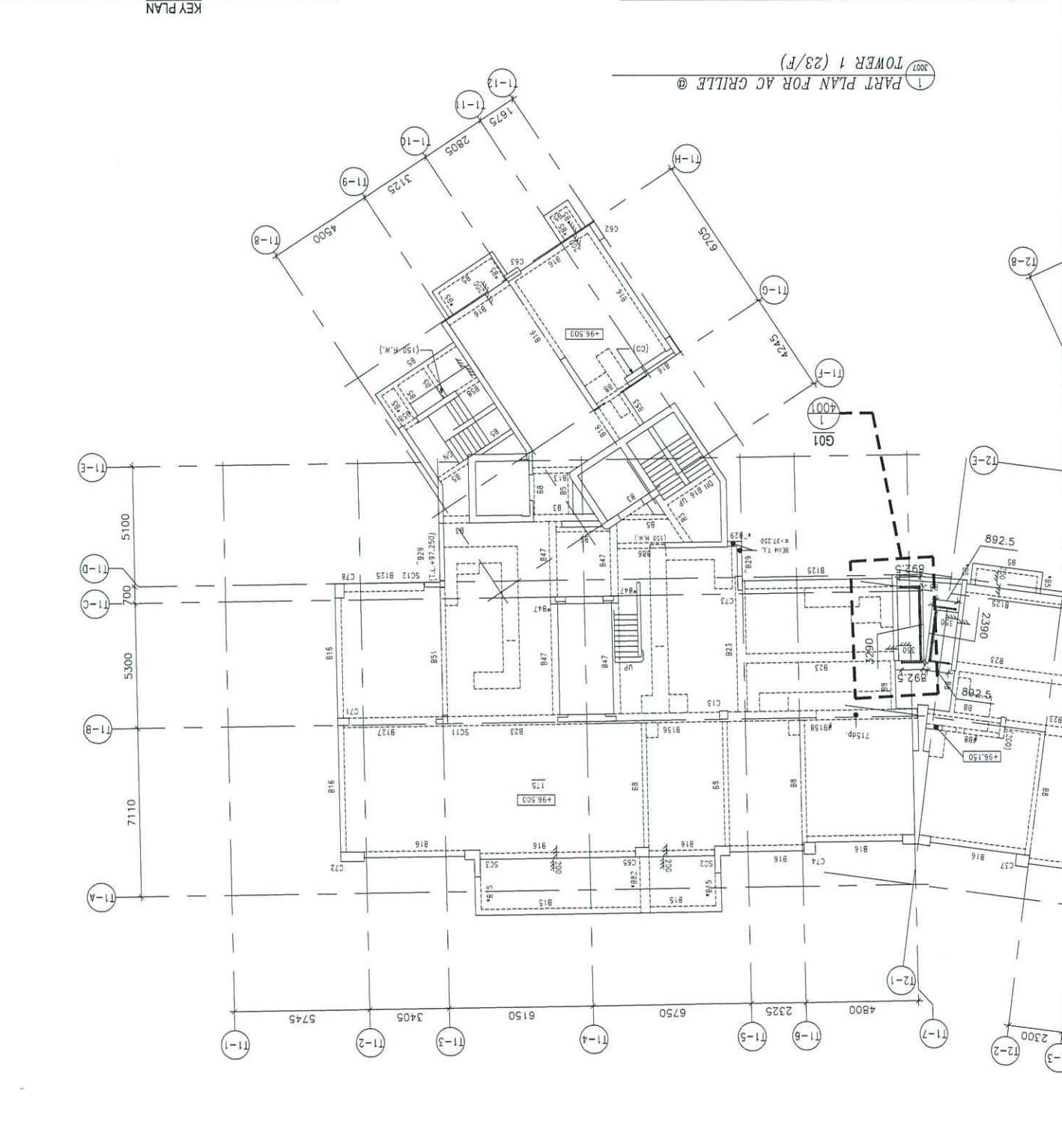
REMARK: DETAIL RC STRUCTURAL UNDER SEPARATED SUBMISSION

MARK	SIZE (B.D.)	MARK	SIZE (B.D.)
B3	300x500	B29	200x800
B5	200x400	A105	450x600
B8	200x500	A125	350x500
B9	200x550	A127	400x500
B13	250x450	A48	300x900
B15	250x400	B157	200x700
B16	250x500	B158	200x500
B18	265x500	B35	400x715, 640
B19	200x300	B56	200x1500
B23	400x600	B92	400x400
B29	400x900	B96	225x450

(23/F) BEAM SCHEDULE (FOR INFORMATION ONLY)



KEY PLAN



1 PART PLAN FOR AC GRILLE @ TOWER 1 (23/F)









B.D. REF :

CLIENT :

ARCHITECT :  
**AGC DESIGN LTD**  
110, QUEEN'S ROAD, KOWLOON, HONG KONG

MAIN CONTRACTOR :



STRUCTURAL ENGINEER :



FACADE CONSULTANT:



NOTE:  
1. ALL DIMENSIONS ARE IN mm.  
2. ALL ELEVATIONS ARE VIEWED FROM OUTSIDE.  
3. ALL DIMENSIONS TO BE VERIFIED ON SITE BEFORE FABRICATION.

LEGEND:

- (S1) DETAIL MARK NO.
- (S2) REFER SHEET NO.
- 1. F.F.L. --- FINISHED FLOOR LEVEL.
- 2. S.F.L. --- STRUCTURAL FLOOR LEVEL.
- 3. (P) --- REVERSED DETAIL.

SIU Koon Hoi Carmine  
Authorized Structural Engineer  
Registered Professional Engineer  
Independent Checking Engineer

**B.D. SUBMISSION**

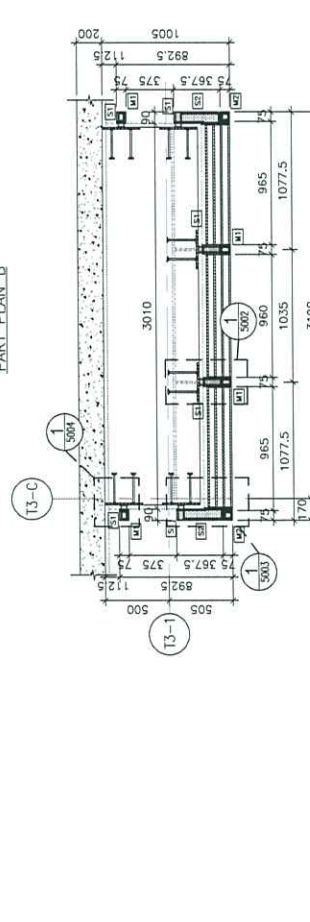
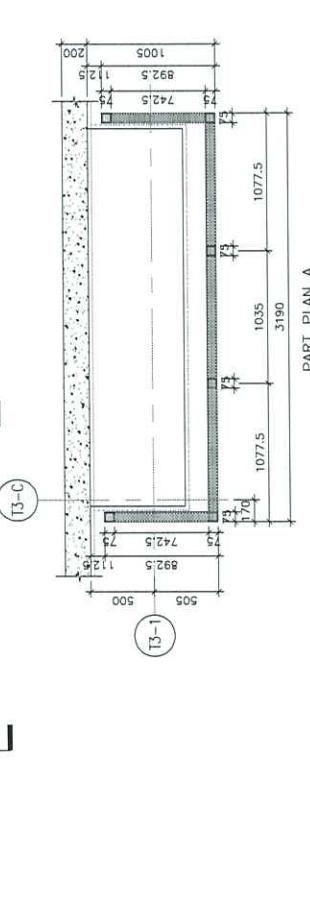
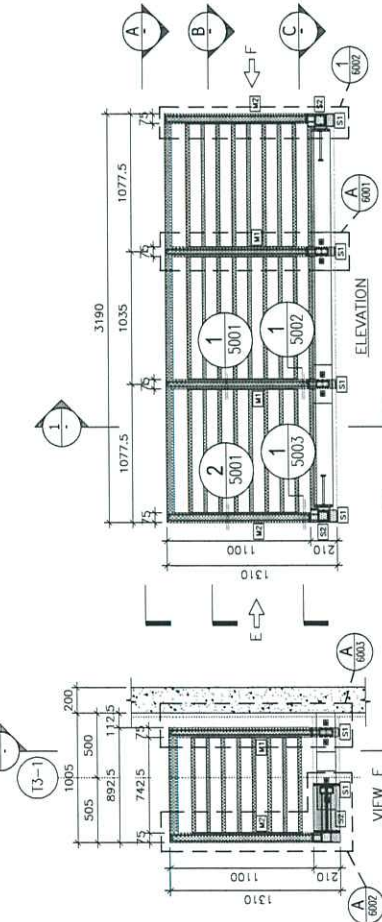
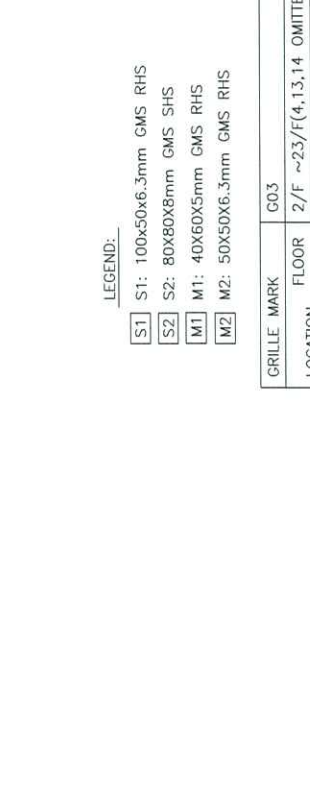
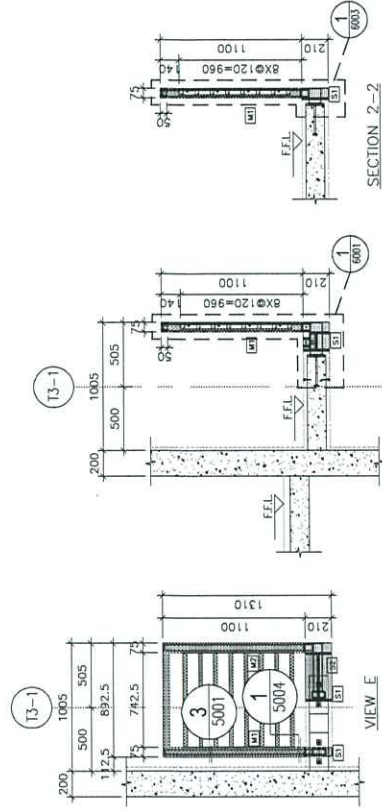
JOB NO. : J-852  
DATE : 11/25/2020

PROJECT :  
PROPOSED RESIDENTIAL DEVELOPMENT  
AT 139 - 147 ARCYLE STREET,  
NKIL 6005, 6035 R.P., 6036 R.P.,  
6037 R.P. & 6038 R.P.

TITLE :  
A.C GRILLE  
FOR G03 OF ENSUITE  
AT TOWER 3 FLAT B

DATE : 21-Feb-20 SCALE : 1:40  
DRAWN BY : LHR CHECKED BY : DW

**MIDI** MIDDENHALL ENGINEERING LTD.  
610 Chee Koo Ling Road, Kowloon  
Tel: 2348211-4 Fax: (852) 2727266  
MWS NO. : J852-BD-ACC-6003 REV. : -



- LEGEND:
- S1: 100x50x6.3mm GMS RHS
  - S2: 80x80x8mm GMS SHS
  - M1: 40x60x5mm GMS RHS
  - M2: 50x50x6.3mm GMS RHS

GRILLE MARK	G03
FLOOR	2/F ~23/F(4,13,14 OMITTED)
ROOM	ENSUITE AT TOWER 3 FLAT B
QUANTITY	19