



工程指示 / 要求簡箋(E.I.)

工程指示編號：EI / 1846 / 20

修改版次：

工程編號：J - 852

工程名稱：亞皆老街中電

工程項目：Showflat 後加工程 - 幕牆鋁匹

收件人：QS

發件人：Bessie Lau

日期：25/05/2020

要求提供 / 確認 事項：

- ( ) 初步鋁料 B.M.                      ( ) 加工拆圖，然後生產                      ( ) 尺寸表
- ( ) 正式鋁料 B.M.                      ( ) 技術上資料 / 指示                      ( ) 報價
- ( ) 配件 B.M.                              ( ) 樣辦或貨品說明書                      ( ) 分判合約
- ( ) 其他：\_\_\_\_\_

內容：

辦房 Flat C MBR1 供應及安裝幕牆鋁匹共 3 柱，煩請報價，謝謝！

(給部報價以上工程連辦房執色合共5工) -

附 SI：A.C.M./P.S./J.C./2020/4/15/17:00

請在 \_\_\_\_\_ 前完成上列要求。

附有關圖紙 / 文件：

以上項目為：

- 原合約工程包                       原合約工程加 / 減賬                       新工程報價

原因：-\_\_\_\_\_

分發東莞各部門：

- ( ) 生產技術總監  連附件    ( ) 技術部     連附件    ( ) 生產部     連附件    ( ) 機械設計部  連附件
- ( ) 採購部     連附件    ( ) 生產統籌部  連附件
- ( ) 質檢部     連附件    ( ) 會計部     連附件    ( ) 報關組     連附件    ( ) 其他 \_\_\_\_\_  連附件

分發香港各部門：

- ( ) 行政部  連附件    ( ) 會計部  連附件    ( ) 統籌部  連附件    ( ) 工程部地盤科文  連附件
- ( ) 採購部  連附件     QS 部  連附件    ( ) 維修部  連附件    ( ) 其他 \_\_\_\_\_  連附件

傳遞編號：

發件人簽署：

項目經理簽署：

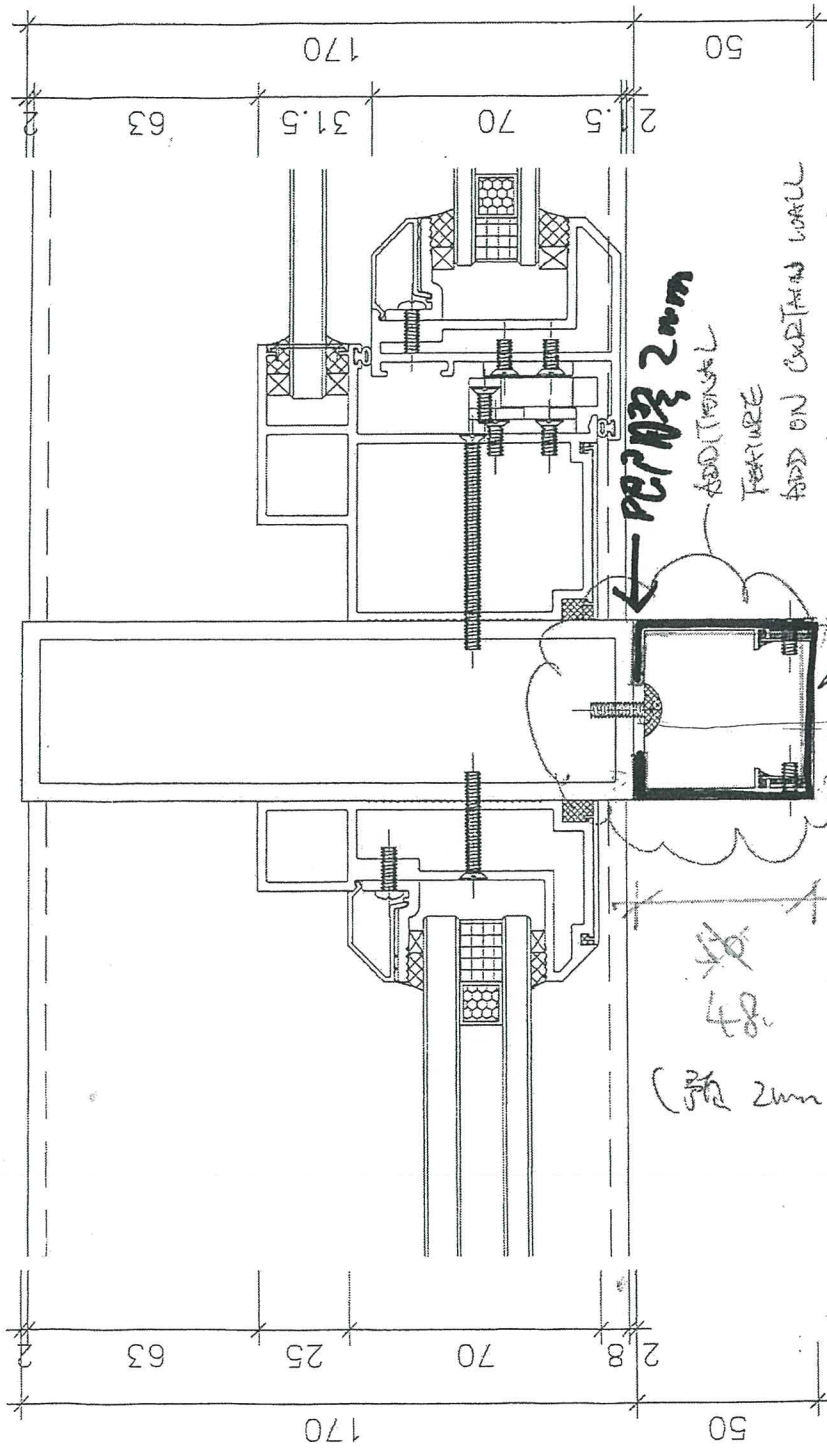


现场测量

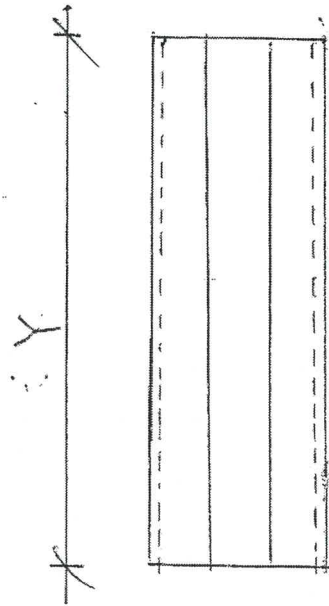
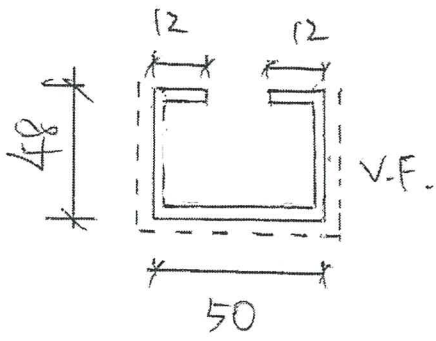
避让

2130

现场测量避让

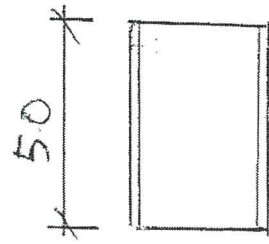
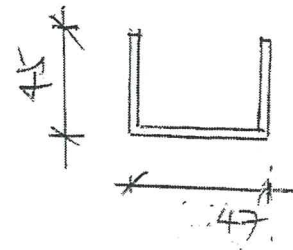


零件图



材料: 1.5mm 鋁板  
 圖號: CW-01 及 CW-02  
 顏色: UCT201498xL(A)-3

圖號	Y	數量
CW-01	2180	3
CW-02	1020	3



托片

材料: 1mm 鋁板  
 圖號: CW-03  
 顏色: 黑  
 數量: 6 件



**From:** [Yoanna Chan](#)  
**Sent:** Tuesday, April 14, 2020 6:02 PM  
**To:** Jackson Chor Chiu Mok  
**Cc:** [Jimmy Cheung Ngai Hang](#); [raymondho@agcdesign.com.hk](mailto:raymondho@agcdesign.com.hk); [eliotchan@agcdesign.com.hk](mailto:eliotchan@agcdesign.com.hk); [Penny Pui Ying Chau](#); [Man Dick Yuen](#); [Brian Leung](#); [Chris Ching Wa Kwok](#); [Esther Chui Ling Chung](#); [YY Yau Yan Fong](#); [Angel Nga Chi Man](#); [Nigel Lo](#); [Billy Tang \(Development\)](#); [midi@midiltd.com.hk](mailto:midi@midiltd.com.hk)  
**Subject:** RE: CLP - J3860 139 -147 Argyle Street - Additional feature for curtain wall

Dear all,

We have no adverse comment on the extrusion profile. And the interface shall be further coordinated.

Thanks & regards,  
Yoanna

**From:** Jackson Chor Chiu Mok <[Jackson.Mok@gammonconstruction.com](mailto:Jackson.Mok@gammonconstruction.com)>  
**Sent:** Thursday, April 2, 2020 6:46 PM  
**To:** [Brian Leung](mailto:brian.leung@mfacade.com)  
**Cc:** [Jimmy Cheung Ngai Hang](#) <[jimmynhcheung@sino.com](mailto:jimmynhcheung@sino.com)>; [raymondho@agcdesign.com.hk](mailto:raymondho@agcdesign.com.hk); [eliotchan@agcdesign.com.hk](mailto:eliotchan@agcdesign.com.hk); [Penny Pui Ying Chau](mailto:Penny.Chau@gammonconstruction.com) <[Penny.Chau@gammonconstruction.com](mailto:Penny.Chau@gammonconstruction.com)>; [Man Dick Yuen](mailto:ManDick.Yuen@gammonconstruction.com) <[ManDick.Yuen@gammonconstruction.com](mailto:ManDick.Yuen@gammonconstruction.com)>; [Chris Ching Wa Kwok](mailto:Chris.Kwok@gammonconstruction.com) <[Chris.Kwok@gammonconstruction.com](mailto:Chris.Kwok@gammonconstruction.com)>; [Esther Chui Ling Chung](mailto:Esther.Chung@gammonconstruction.com) <[Esther.Chung@gammonconstruction.com](mailto:Esther.Chung@gammonconstruction.com)>; [YY Yau Yan Fong](mailto:YY.Fong@gammonconstruction.com) <[YY.Fong@gammonconstruction.com](mailto:YY.Fong@gammonconstruction.com)>; [Angel Nga Chi Man](mailto:Angel.Man@gammonconstruction.com) <[Angel.Man@gammonconstruction.com](mailto:Angel.Man@gammonconstruction.com)>; [Yoanna Chan](mailto:yoanna.chan@mfacade.com) <[yoanna.chan@mfacade.com](mailto:yoanna.chan@mfacade.com)>; [Nigel Lo](mailto:nigel.lo@mfacade.com) <[nigel.lo@mfacade.com](mailto:nigel.lo@mfacade.com)>; [Billy Tang \(Development\)](#) <[billytang@sino.com](mailto:billytang@sino.com)>; [midi@midiltd.com.hk](mailto:midi@midiltd.com.hk)  
**Subject:** RE: CLP - J3860 139 -147 Argyle Street - Additional feature for curtain wall

Dear Brian,

Further to our discussion in TQ meeting yesterday, please kindly be reminded to review and comment the additional feature submitted by Midi on 26 Mar 2020.

Thanks.

Best Regards,  
Jackson

**From:** [Jimmy Cheung Ngai Hang](mailto:jimmynhcheung@sino.com) [<mailto:jimmynhcheung@sino.com>]  
**Sent:** 30 March, 2020 2:16 PM  
**To:** [midi@midiltd.com.hk](mailto:midi@midiltd.com.hk); [brian.leung@mfacade.com](mailto:brian.leung@mfacade.com); [raymondho@agcdesign.com.hk](mailto:raymondho@agcdesign.com.hk)  
**Cc:** [eliotchan@agcdesign.com.hk](mailto:eliotchan@agcdesign.com.hk); [Penny Pui Ying Chau](mailto:Penny.Chau@gammonconstruction.com) <[Penny.Chau@gammonconstruction.com](mailto:Penny.Chau@gammonconstruction.com)>; [Man Dick Yuen](mailto:ManDick.Yuen@gammonconstruction.com) <[ManDick.Yuen@gammonconstruction.com](mailto:ManDick.Yuen@gammonconstruction.com)>; [Chris Ching Wa Kwok](mailto:Chris.Kwok@gammonconstruction.com) <[Chris.Kwok@gammonconstruction.com](mailto:Chris.Kwok@gammonconstruction.com)>; [Esther Chui Ling Chung](mailto:Esther.Chung@gammonconstruction.com) <[Esther.Chung@gammonconstruction.com](mailto:Esther.Chung@gammonconstruction.com)>; [YY Yau Yan Fong](mailto:YY.Fong@gammonconstruction.com) <[YY.Fong@gammonconstruction.com](mailto:YY.Fong@gammonconstruction.com)>; [Jackson Chor Chiu Mok](mailto:Jackson.Mok@gammonconstruction.com) <[Jackson.Mok@gammonconstruction.com](mailto:Jackson.Mok@gammonconstruction.com)>; [Angel Nga Chi Man](mailto:Angel.Man@gammonconstruction.com) <[Angel.Man@gammonconstruction.com](mailto:Angel.Man@gammonconstruction.com)>; [Yoanna Chan](mailto:yoanna.chan@mfacade.com) <[yoanna.chan@mfacade.com](mailto:yoanna.chan@mfacade.com)>; [Nigel Lo](mailto:Nigel Lo)

<nigel.lo@mfacade.com>; Billy Tang (Development) <billytang@sino.com>

**Subject:** [E] RE: CLP - J3860 139 -147 Argyle Street - Additional feature for curtain wall

This email is sent from an External source

Dear Brian / Yoanna

Pls review and revert by tomorrow COB. Thanks.

Regards,

**Jimmy Cheung**  
**Assistant Manager (Construction)**  
Development Division  
Sino Land Company Limited  
DL (852) 2132 8758 M (852) 6032 9371

11-12/F, Tsim Sha Tsui Centre, Salisbury Road, Tsim Sha Tsui, Kowloon, Hong Kong  
[www.sino.com](http://www.sino.com)

**From:** [midi@midiltd.com.hk](mailto:midi@midiltd.com.hk)

**Sent:** Thursday, March 26, 2020 6:18 PM

**To:** [brian.leung@mfacade.com](mailto:brian.leung@mfacade.com); [raymondho@agcdesign.com.hk](mailto:raymondho@agcdesign.com.hk)

**Cc:** [eliotchan@agcdesign.com.hk](mailto:eliotchan@agcdesign.com.hk); Penny Pui Ying Chau; Man Dick Yuen; Chris Ching Wa Kwok; Esther Chui Ling Chung; YY Yau Yan Fong; Jackson Chor Chiu Mok; Angel Nga Chi Man; Yoanna Chan; Nigel Lo; Jimmy Cheung Ngai Hang; Billy Tang (Development)

**Subject:** CLP - J3860 139 -147 Argyle Street - Additional feature for curtain wall

Dear Brian Gor / Raymond Gor,

Further to our site meeting yesterday, we would like to attach details of additional feature for curtain wall for your review and comment.

Regards,  
Bessie

