



工程指示 / 要求簡箋 ENGINEER INSTRUCTIONS(E.I.)

工程指示編號:	EI- 4554	修改版本:	-
	HK-		
工程編號:	J 851	工程名稱:	青衣明翹匯
收件人:	偉哥	發件人:	Yancy Chen
工程項目:	平台Window Wall - 地盤用玻璃BM (PE01~PE03)	日期:	07/04/2022

<input checked="" type="checkbox"/> 原合約工程包	<input type="checkbox"/> 原合約工程加 / 減賬 QT-	<input type="checkbox"/> 新工程報價 QT-
--	--	------------------------------------

信件批核號碼/圖紙參考編號:	批核模具圖紙編號:
客戶指示附件:	管理內部批簽署:

<input type="checkbox"/> 初步鋁料 B.M.	<input type="checkbox"/> 加工拆圖, 然後生產	<input type="checkbox"/> 尺寸表
<input type="checkbox"/> 正式鋁料 B.M.	<input type="checkbox"/> 技術上資料/指示	<input type="checkbox"/> 報價
<input type="checkbox"/> 配件 B.M.	<input type="checkbox"/> 樣辦或貨品說明書	<input type="checkbox"/> 分判合約
<input checked="" type="checkbox"/> 其他: 地盤用玻璃BM		

內容:
請按附件玻璃BM和圖紙, 先由地盤復尺, 才可訂料加工.
附: 封面1頁, 附件6頁, 共7頁.
完成上列要求日期: 30/04/2022


**國內**

<input type="checkbox"/> 生產技術總監	<input type="checkbox"/> 連附件	<input type="checkbox"/> 技術部	<input type="checkbox"/> 連附件	<input type="checkbox"/> 生產部	<input type="checkbox"/> 連附件
<input type="checkbox"/> 採購部	<input type="checkbox"/> 連附件	<input type="checkbox"/> 生產統籌部	<input type="checkbox"/> 連附件	<input type="checkbox"/> 報關組	<input type="checkbox"/> 連附件
<input type="checkbox"/> 質檢部	<input type="checkbox"/> 連附件	<input type="checkbox"/> 會計部	<input type="checkbox"/> 連附件	<input type="checkbox"/> 機械設計部	<input type="checkbox"/> 連附件
<input type="checkbox"/> 其他:					

**香港**

<input type="checkbox"/> 行政部	<input type="checkbox"/> 連附件	<input type="checkbox"/> 會計部	<input type="checkbox"/> 連附件	<input type="checkbox"/> 統籌部	<input type="checkbox"/> 連附件	<input type="checkbox"/> 工程部	<input type="checkbox"/> 連附件
<input type="checkbox"/> 採購部	<input type="checkbox"/> 連附件	<input checked="" type="checkbox"/> QS部	<input checked="" type="checkbox"/> 連附件	<input checked="" type="checkbox"/> 地盤管理	<input checked="" type="checkbox"/> 連附件	<input type="checkbox"/> 維修部	<input type="checkbox"/> 連附件

*發件人簽署:	*組別成員批核簽署:
傳遞編號:	項目經理簽署:

		美特鋁質有限公司 MIDI Aluminium Fabricator Ltd.		工程號: J-851	計算:	HHQ	日期:	07/04/2022	送呈:	細佬
地盤名稱: 青衣明邨匯		青衣明邨匯		核對:						
項目類別: WINDOW WALL		WINDOW WALL		批准:	A/C Code:					
修改版次:		總計玻璃面積 (平方米):		11.244		此BM依據				
BM編號:	修改內容	玻璃圖號	顏色與類型	厚度 (mm)	玻璃尺寸		數量 (塊)	總面積 (平方米)	備注	
1	需地盤復尺	J851-M-GL1	12mm THK. CLEAR TEMPERED GLASS	12	寬度 (mm)	高度 (mm)	2	3.870	加工圖見J851-M-GL1	
2	需地盤復尺	J851-M-GL2		12	842.5	2297.0	4	7.373	加工圖見J851-M-GL2	
							面積	11.244		
<p>1).本表中所有玻璃對角線尺寸偏差要求不超過正負2mm。</p> <p>2).本表中玻璃要求粗磨邊處理並倒稜角 (企向需精磨邊)。</p> <p>3).本表中所有強化玻璃均需HEAT SOAK TEST。</p> <p>4).本表中所有強化玻璃之入爐方向均以寬度方向進入。</p> <p>5).本表中所有玻璃成品送交東莞美而特廠，每次交貨時須齊層、齊款、齊數量，每次來貨之具體數量由美而特廠生產統籌部提供。</p> <p>6).本表中所有玻璃成品均需注明室內外面及其玻璃編號，以便識別。</p>										

B.D. REF :  
 F.S.D. REF :  
 Note :  
 1.M dimensions are in mm.  
 2.M elevations are viewed from outside.  
 3.M dimensions to be verified on site before fabrication.

GENERAL NOTES  
 Legend :  
 1. FESL - Finished floor level  
 2. SFL - Structural floor level  
 3. (R) - Reformed metal  
 (X1) - RETAIL MARK NO.  
 (X001) - REFER SHEET NO.  
 (R1-21) - DIMED TYPE(R1-21)  
 (R1-22) - DIMED TYPE(R1-22)  
 (R1-23) - DIMED TYPE(R1-23)  
 (R1-24) - DIMED TYPE(R1-24)  
 (R1-25) - DIMED TYPE(R1-25)

NO.	DATE	REVISION	BY
1	10-03-2020	PERMIT DRAWING	
2	10-10-2020	AS PER ARCHITECT COMMENTS	
3	10-08-2020	AS PER ARCHITECT COMMENTS	
4	12-05-2020	AS PER ARCHITECT COMMENTS	
5	12-04-2020	AS PER ARCHITECT COMMENTS	

CLIENT :  
 佳明集團控股有限公司  
 GRAND MING GROUP HOLDINGS LIMITED

MAIN CONTRACTOR :  
 GRAND TECH CONSTRUCTION CO. LTD.

ARCHITECT :  
 WONG TUNG & PARTNERS LIMITED  
 ARCHITECTS & PLANNERS

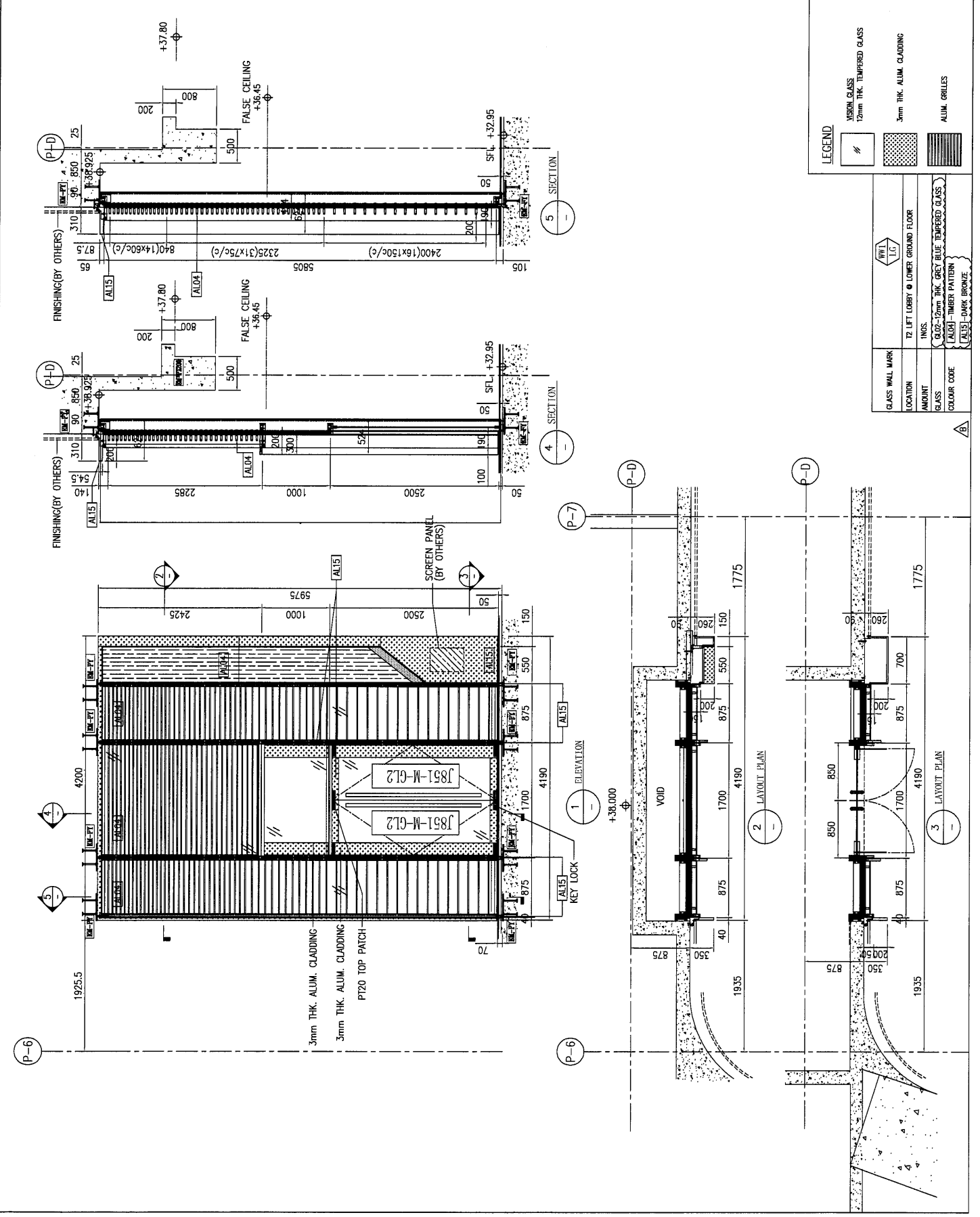
STRUCTURAL ENGINEER :  
 CMA C.M. WONG & ASSOCIATES LTD  
 STRUCTURAL ENGINEERS

美特鋁質有限公司  
 MTD ALUMINIUM FABRICATOR LTD.  
 Units 6-8, Sunny Industrial Centre, 1/F  
 162, SANGATI +  
 Tel: (852) 27727666

PROJECT :  
 RESIDENTIAL DEVELOPMENT AT  
 TSING YI TOWN LOT 190 SAI SHAN ROAD

TITLE :  
 PARTIAL ELEVATION, SECTION & PLAN  
 FOR WINDOW WALL

JOB NO. : J-851  
 DRAWN BY : LS  
 DATE : 22-06-2020  
 CHECK BY :  
 SCALE : A1 : 1:50  
 DWG. NO. : JB51-WM-PED1  
 REV. : E



B.D. REF :  
F.S.D. REF :

Note:  
1. All dimensions are in mm.  
2. All elevations are viewed from outside.  
3. All dimensions to be verified on site before fabrication.

GENERAL NOTES

Legend :  
1. FFL - Finished Floor Level  
2. SFL - Structural Floor Level  
3. RFD - Revised Detail

X11 - METAL MARK NO.  
X001 - REFER SHEET NO.

EMED TYPE(A-P)  
EMED TYPE(B-P)  
EMED TYPE(C-P)  
EMED TYPE(D-P)  
EMED TYPE(E-P)

REV	DATE	BY	CHKD	DESCR
1	15-01-2020	AS PER ARCHITECT COMMENTS		
2	16-01-2020	AS PER ARCHITECT COMMENTS		
3	03-06-2020	AS PER ARCHITECT COMMENTS		
4	12-06-2020	AS PER ARCHITECT COMMENTS		
5	21-04-2020	AS PER ARCHITECT COMMENTS		

CLIENT :  
佳陽集團控股有限公司  
GRAND MING GROUP HOLDINGS LIMITED

MAIN CONTRACTOR :  
GRAND TECH CONSTRUCTION CO. LTD.

ARCHITECT :  
WONG TUNG & PARTNERS LIMITED

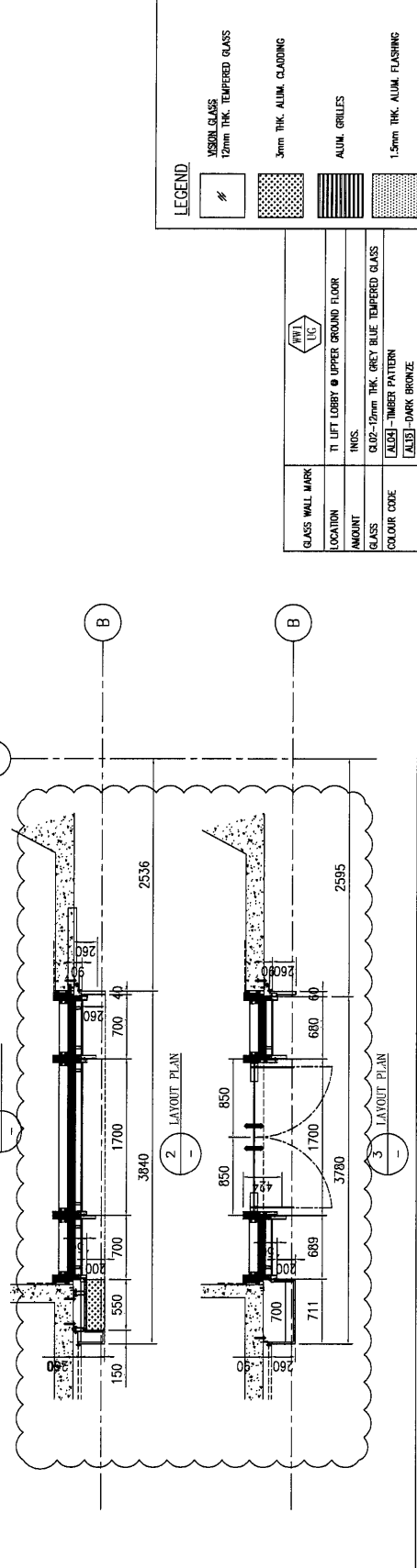
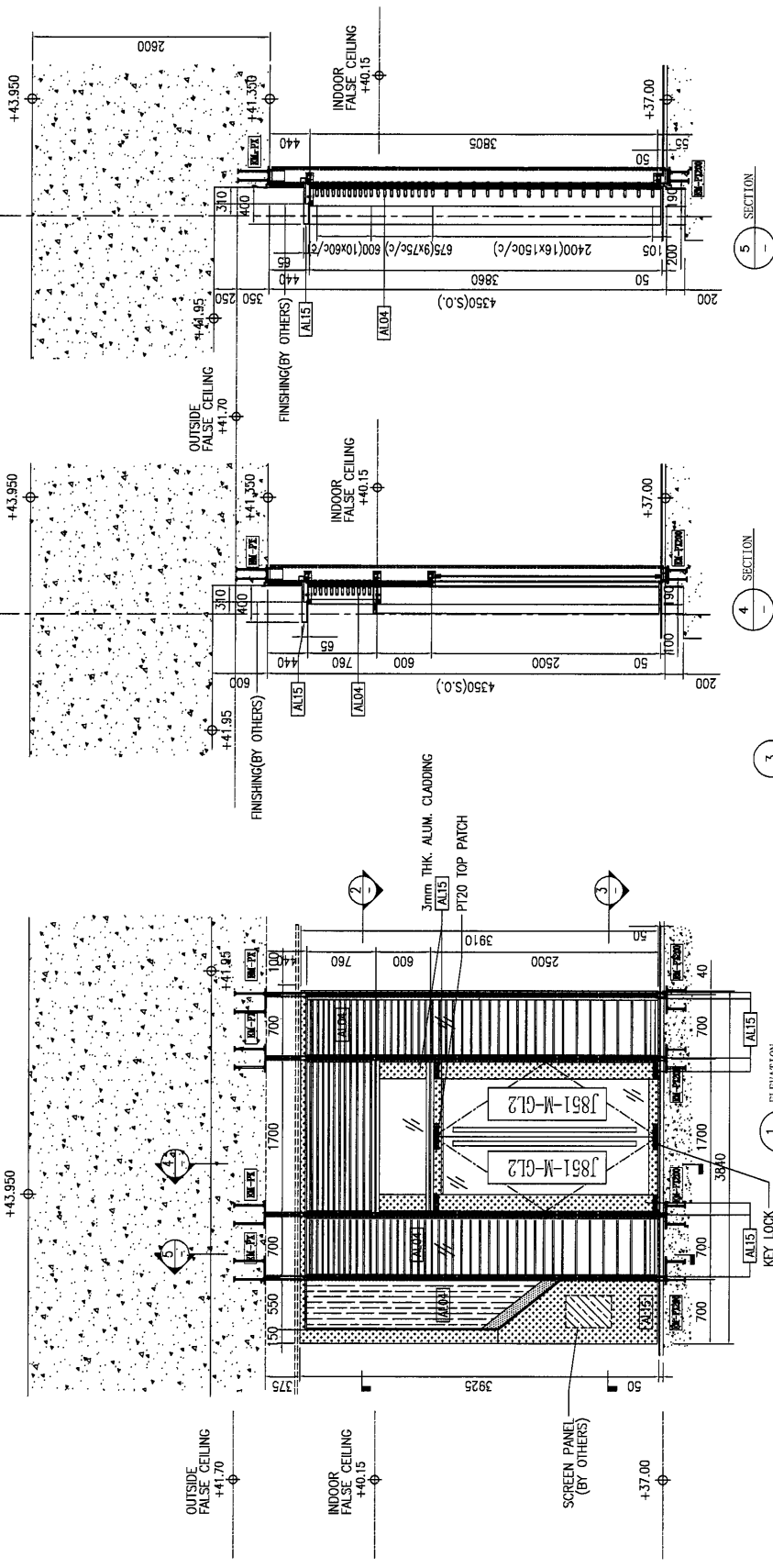
STRUCTURAL ENGINEER :  
C M WONG & ASSOCIATES LTD

美特鋁質有限公司  
MIDI ALUMINIUM FABRICATOR LTD.  
Rm 404, Sunny Industrial Centre, 1/F  
810 Cheong Cheong Street, Tsim Sha Tsui  
Tel: 23488211-4 Fax: (852) 27272666

PROJECT :  
RESIDENTIAL DEVELOPMENT AT  
TSING YI TOWN LOT 190 3&1 SHAN ROAD

TITLE :  
PARTIAL ELEVATION, SECTION & PLAN  
FOR WINDOW WALL

JOB NO. : J-851  
DRAWN BY : LS DATE : 22-06-2020  
CHKD BY : SCALE : A1: 1/50  
DWG. NO. : J851-WW-PE02 REV. : E



LEGEND

	VISION GLASS 12mm THK. TEMPERED GLASS
	3mm THK. ALUM. CLADDING
	ALUM. GRILLES
	1.5mm THK. ALUM. FLASHING

GLASS WALL MARK	LOCATION	AMOUNT	COLOUR CODE
TI	TI LIFT LOBBY @ UPPER GROUND FLOOR		
GLASS	GL02-12mm THK. GREY BLUE TEMPERED GLASS		
GLASS	GL03-12mm THK. GREY BLUE TEMPERED GLASS		
GLASS	GL04-TIMBER PATTERN		
GLASS	GL05-DARK BRONZE		

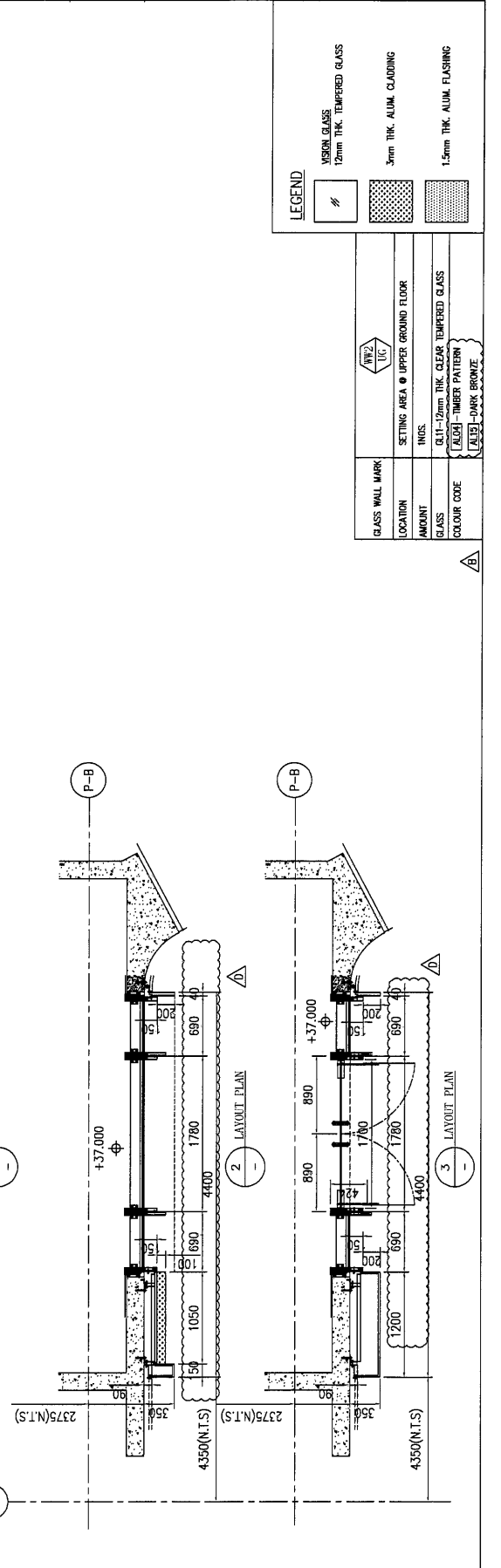
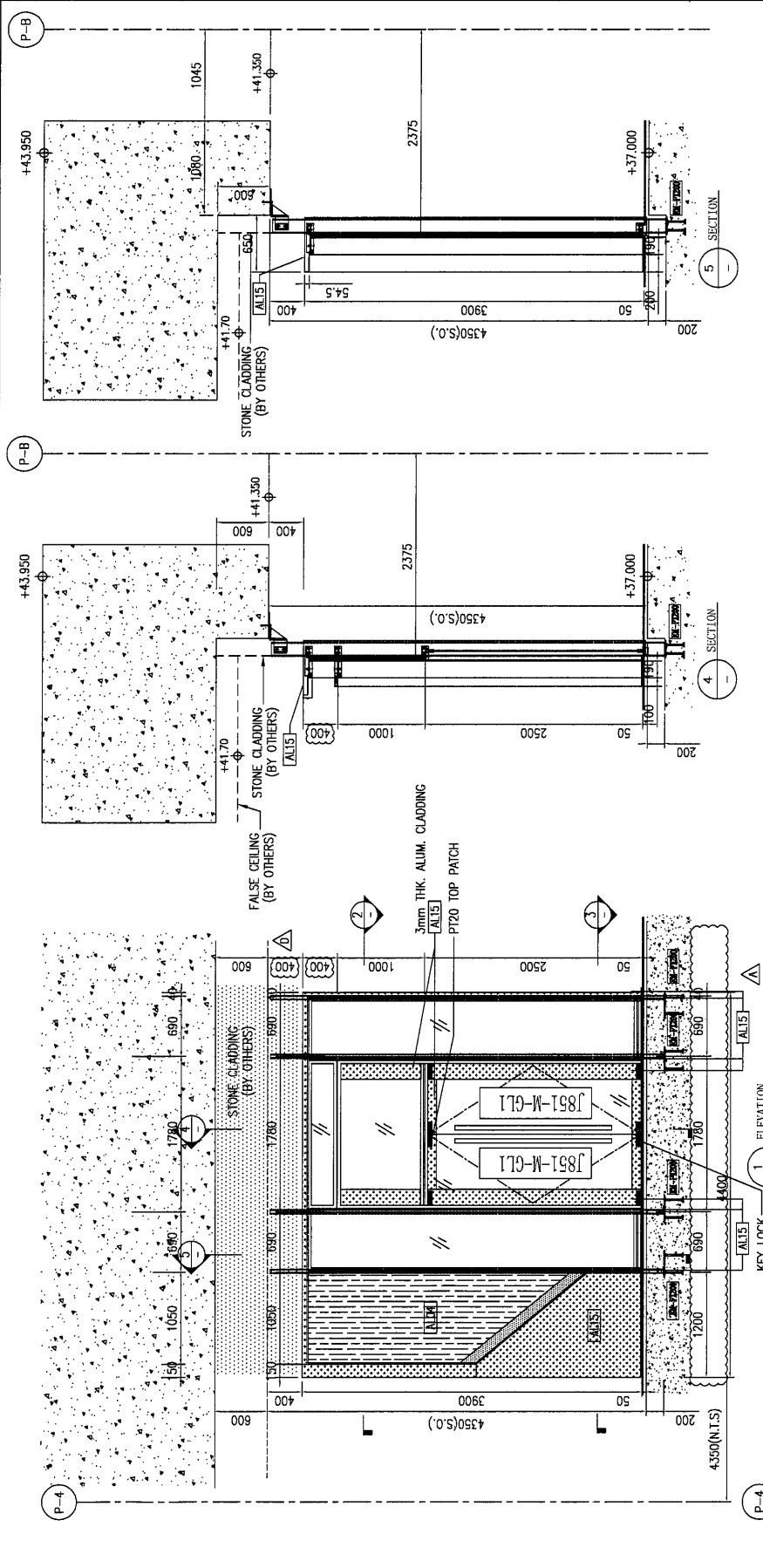
RD. REF. :  
 F.S.D. REF. :  
 Note :  
 1. All dimensions are in mm.  
 2. All elevations are viewed from outside.  
 3. All dimensions to be verified on site before fabrication.

GENERAL NOTES  
 Legend :  
 1. FES - Finished Floor Level  
 2. SFL - Structural Floor Level  
 3. FFL - Finished Floor Level  
 4. FFL - Finished Floor Level  
 5. FFL - Finished Floor Level

REVISIONS  
 NO. DATE REVISION  
 1. 10-10-2020 AS PER ARCHITECT COMMENTS  
 2. 03-08-2020 AS PER ARCHITECT COMMENTS  
 3. 12-06-2020 GENERAL REVISION  
 4. 21-04-2020 AS PER ARCHITECT COMMENTS  
 5. 10-03-2020 AS PER ARCHITECT COMMENTS

CLIENT :  
 佳明集團控股有限公司  
 GRAND MING GROUP HOLDINGS LIMITED  
 MAIN CONTRACTOR :  
 GRAND TECH CONSTRUCTION CO. LTD.  
 ARCHITECT :  
 WONG TUNG & PARTNERS LIMITED  
 STRUCTURAL ENGINEER :  
 C.M. WONG & ASSOCIATES LTD  
 美特鋁質有限公司  
 MADI Aluminium Fabricator Ltd.  
 Unit 6-8, Sunny Industrial Centre, 1/F  
 623,889,811-4 Fax: (86)27277866

PROJECT :  
 RESIDENTIAL DEVELOPMENT AT  
 TSING YI TOWN LOT 191 SAI SHAN ROAD  
 TITLE :  
 PARTIAL ELEVATION, SECTION & PLAN  
 FOR WINDOW WALL  
 JOB NO. : J-851  
 DRAWN BY : LS  
 DATE : 22-06-2020  
 CHD BY :  
 SCALE : A1 : 1/50  
 DWG. NO. : J851-WW-FE03  
 REV. : D

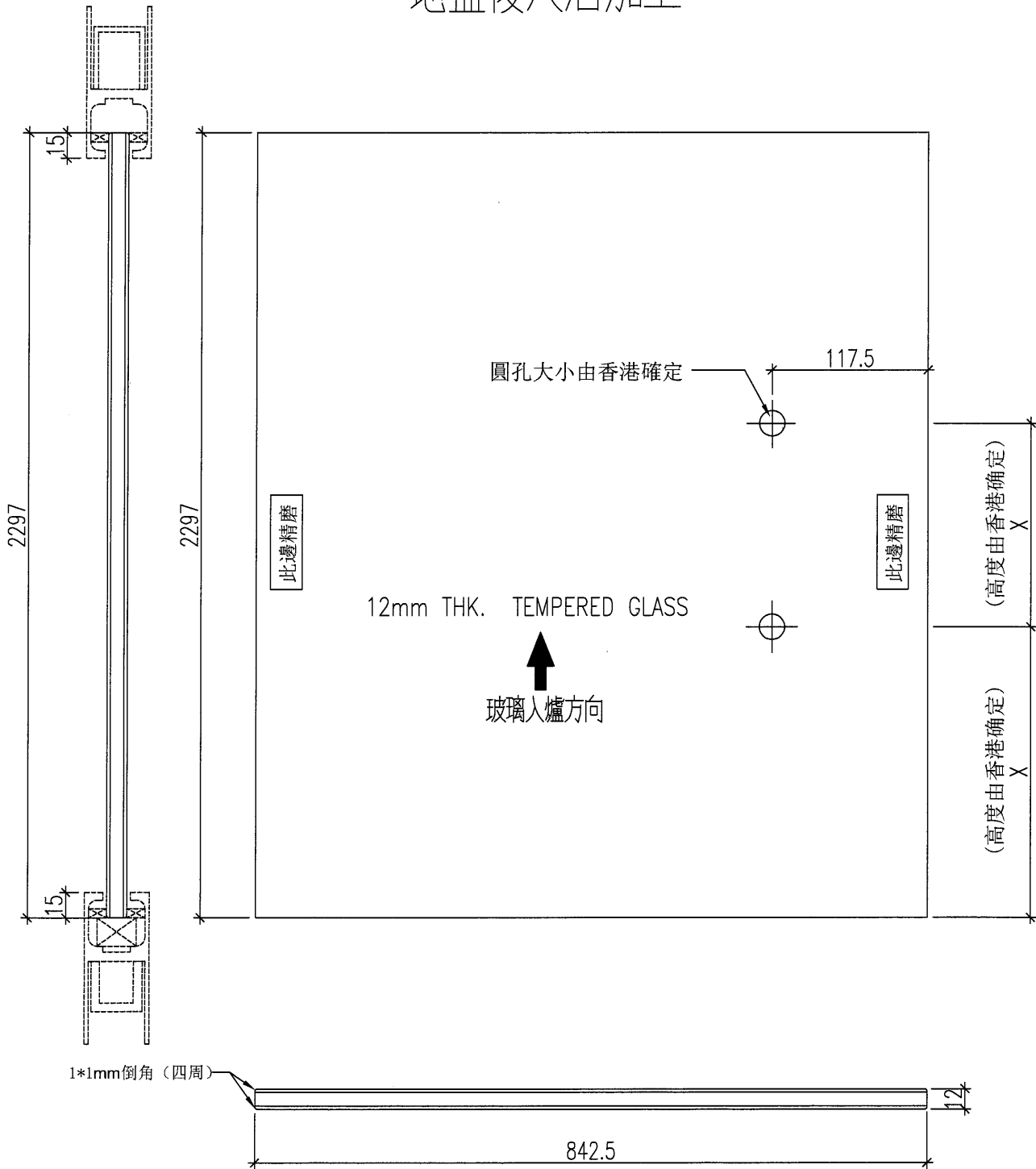


LEGEND

12mm THK. CLEAR TEMPERED GLASS	12mm THK. ALUM. CLADDING	1.5mm THK. ALUM. FLASHING
3mm THK. ALUM. CLADDING	12mm THK. CLEAR TEMPERED GLASS	1.5mm THK. ALUM. FLASHING
1.5mm THK. ALUM. FLASHING	12mm THK. CLEAR TEMPERED GLASS	1.5mm THK. ALUM. FLASHING

GLASS WALL MARK	SETTING AREA @ UPPER GROUND FLOOR
LOCATION	INDS.
AMOUNT	GL11-12mm THK. CLEAR TEMPERED GLASS
GLASS	AL04-TIMBER PATTERN
COLOUR CODE	AL05-DARK GROUND

地盤復尺后加工



名稱	玻璃加工圖	制圖	黃漢卿	2022.4.7	修改			
材料		復核			日期			
顏色		批准			圖號	J851-M-GL1		



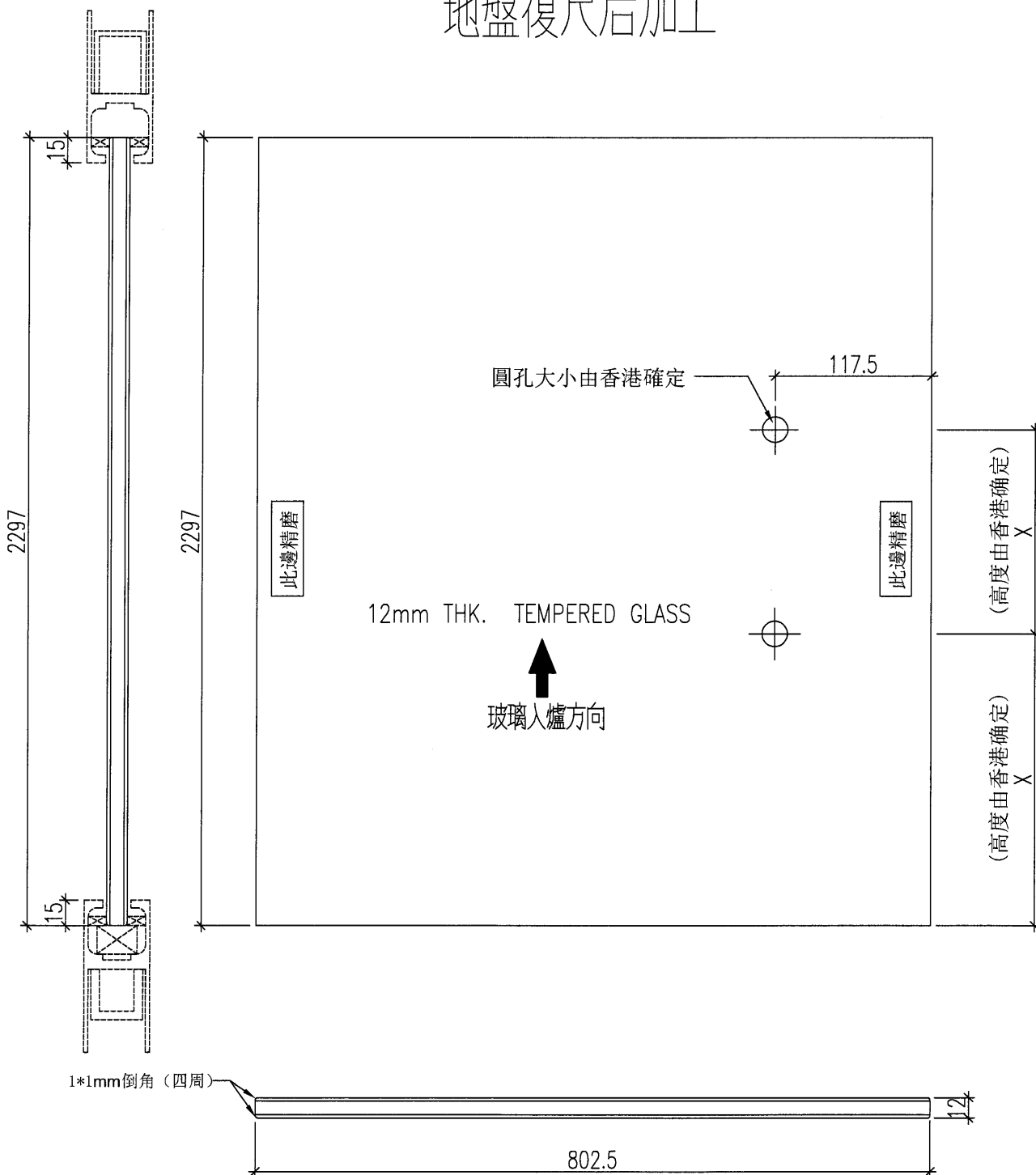
工程號

J-851

地盤

青衣明燜匯

地盤復尺后加工



名稱	玻璃加工圖	制圖	黃漢卿	2022.4.7	修改			
材料		復核			日期			
顏色		批准			圖號	J851-M-GL2		