

工程指示 / 要求簡箋(E.I.)

工程指示編號：EI/2902 /20 修改版次：
 工程編號：J851 工程名稱：青衣明翹滙
 工程項目：外牆飾線鋁板(AL5)新增鐵件 (裕都用)
 收件人：Maggie Lot 發件人：Joe Chan 日期：6/1/2021

要求提供 / 確認 事項：

- | | | |
|------------------------------------|-------------------------------------|-------------------------------|
| <input type="checkbox"/> 初步鋁料 B.M. | <input type="checkbox"/> 加工拆圖，然後生產 | <input type="checkbox"/> 尺寸表 |
| <input type="checkbox"/> 正式鋁料 B.M. | <input type="checkbox"/> 技術上資料 / 指示 | <input type="checkbox"/> 報價 |
| <input type="checkbox"/> 配件 B.M. | <input type="checkbox"/> 樣辦或貨品說明書 | <input type="checkbox"/> 分判合約 |
| <input type="checkbox"/> 其他：_____ | | |



內容：

飾線 AL-5 分倉修改，新增鐵件。
 請依附件資料，生產 GMS 鐵件，送地盤。
 廠驗焊 = 100% 目測，10% 磁粉。
 驗焊報告名稱：Aluminium Cladding and Feature
 請在 20/1/2021 前完成上列要求。

附有關圖紙 / 文件：

共 10 頁

以上項目為：

- 原合約工程包 原合約工程加 / 減賬 新工程報價

原因：-

分發東莞各部門：

- () 生產技術總監 連附件 () 技術部 連附件 () 生產部 連附件 () 機械設計部 連附件
 () 採購部 連附件 () 生產統籌部 連附件
 () 質檢部 連附件 () 會計部 連附件 () 報關組 連附件 () 其他 _____ 連附件

分發香港各部門：

- () 行政部 連附件 () 會計部 連附件 () 統籌部 連附件 () 工程部地盤科文 連附件 積哥
 () 採購部 連附件 () QS 部 連附件 () 維修部 連附件 () 其他 _____ 連附件

傳遞編號：

發件人簽署：

項目經理簽署：

工程號:	J-851	計算:		日期:		送呈:施哥
地盤名稱:	青衣明翹匯	核對:	JOE	日期:		副本:
項目類別:	鋁飾條項目 (ALS補鐵)	批准:		日期:		

BM編號:	修改內容	鐵件圖號	圖紙名稱	顏色	實用	後備	總數	單位	單件 (kg)	總重量 (kg)	備注
										1327.25	此BM依據最新施工圖資料計算
1		J851-LST-ST28	鐵件加工圖	熱浸鍍鋅+刷瀝青油	56	0	56	件	4.583	256.661	
2		J851-LST-ST29	鐵件加工圖	熱浸鍍鋅+刷瀝青油	56	0	56	件	6.542	366.374	
3		J851-LST-ST30	鐵件加工圖	熱浸鍍鋅+刷瀝青油	56	0	56	件	3.355	187.884	
4		J851-LST-ST31	鐵件加工圖	熱浸鍍鋅+刷瀝青油	56	0	56	件	1.055	59.082	
5		J851-LST-ST32	鐵件加工圖	熱浸鍍鋅+刷瀝青油	234	0	234	件	1.274	298.202	
6		J851-LST-ST33	鐵件加工圖	熱浸鍍鋅+刷瀝青油	234	0	234	件	0.680	159.041	
7					合計:		692	件	合計:	1327.245	KG

1. 驗焊: 100%目測, 10%磁粉

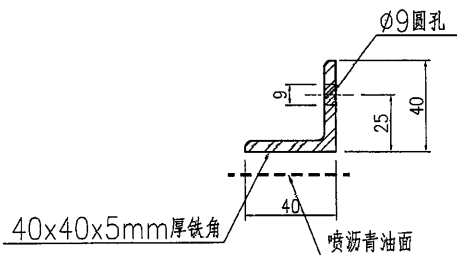
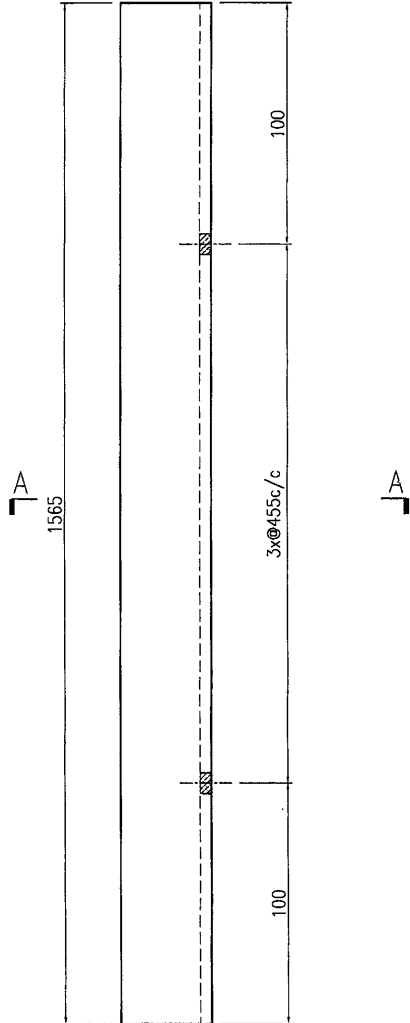
2. 所有鐵件均需熱浸鍍鋅, 材質為Grade S275(BS EN10025 & EN10210)

3. 加工成品分三批交地盤, 到貨前需提前三至五天聯絡地盤負責人以便安排申請入關紙及告知來貨詳情

加工說明

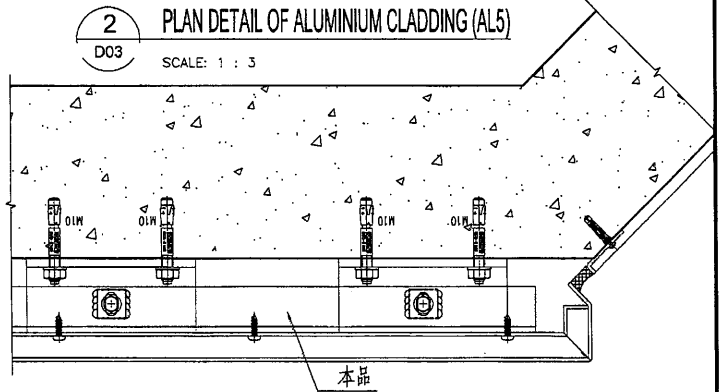
 美特鋁質 有限公司
MIDI Aluminium Fabricator Ltd.

工程號	J851	地盤	青衣明麗匯
-----	------	----	-------



SECTION A-A

2 PLAN DETAIL OF ALUMINIUM CLADDING (AL5)
D03 SCALE: 1 : 3



樓層	數量	备注
G/F	2	
1/F	2	
2/F	2	
3/F	2	
5/F	2	
6/F	2	
7/F	2	
8/F	2	
9/F	2	
10/F	2	
11/F	2	
12/F	2	
15/F	2	
16/F	2	
17/F	2	
18/F	2	
19/F	2	
20/F	2	
21/F	2	
22/F	2	
23/F	2	
25/F	2	
26/F	2	
27/F	2	
28/F	2	
29/F	2	
30/F	2	
31/F	2	
32/F		
33/F		
35/F		
R/F		
后备		
合计	56	

名稱	鐵件加工圖	制圖	曾建平	2020-09-10	修改		
材料	詳見加工圖	復核			日期		
顏色	熱浸鋅+噴瀝青油	批准			圖號	J851-LST-ST28	

3

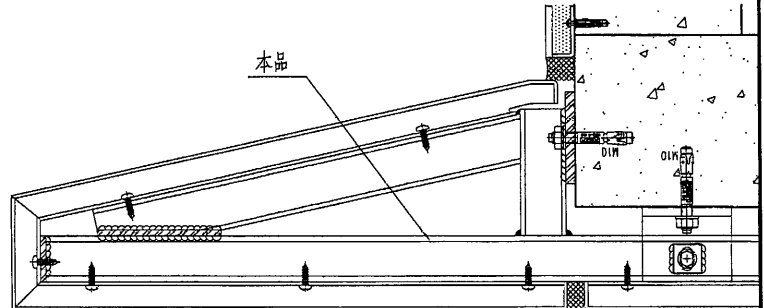
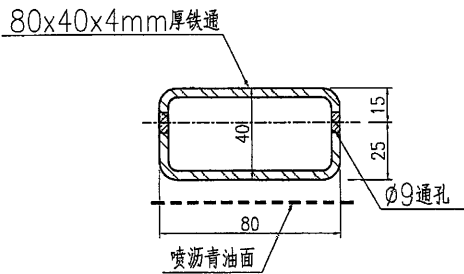
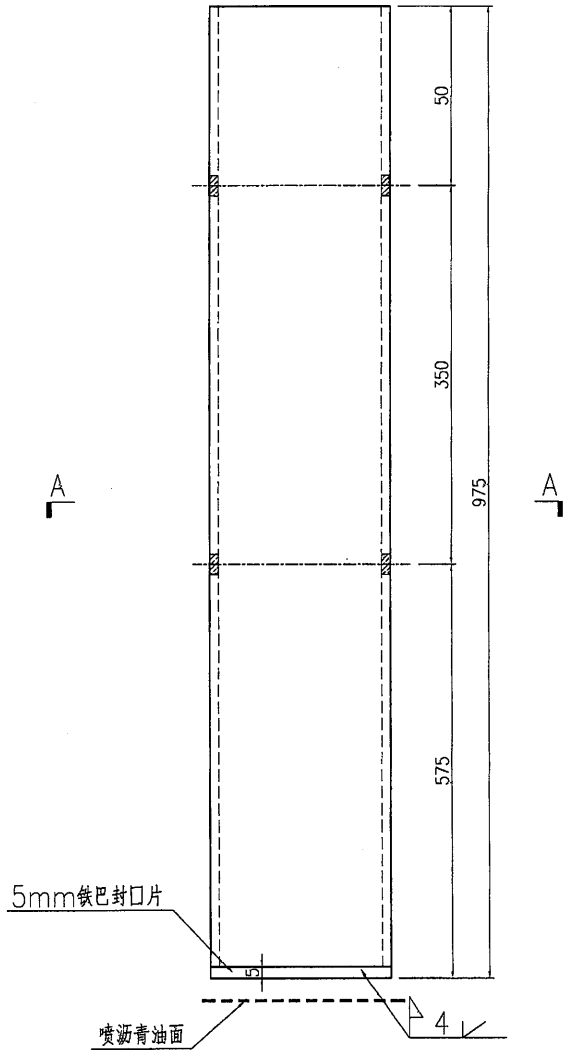
EG-DWG3



美特鋁質 有限公司
MIDI Aluminium Fabricator Ltd.

工程號	J851	地盤	青衣明麗匯
-----	------	----	-------

楼层	数量	备注
G/F	2	
1/F	2	
2/F	2	
3/F	2	
5/F	2	
6/F	2	
7/F	2	
8/F	2	
9/F	2	
10/F	2	
11/F	2	
12/F	2	
15/F	2	
16/F	2	
17/F	2	
18/F	2	
19/F	2	
20/F	2	
21/F	2	
22/F	2	
23/F	2	
25/F	2	
26/F	2	
27/F	2	
28/F	2	
29/F	2	
30/F	2	
31/F	2	
32/F		
33/F		
35/F		
R/F		
后备		
合计	56	



SECTION A-A

2
D03

PLAN DETAIL OF ALUMINIUM CLADDING (AL5)

SCALE: 1 : 3

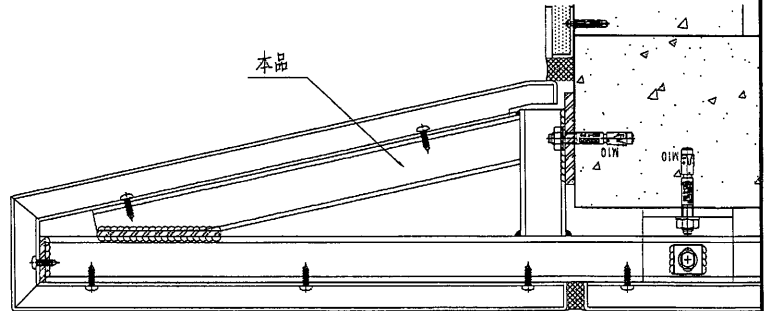
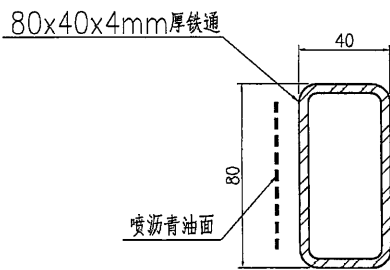
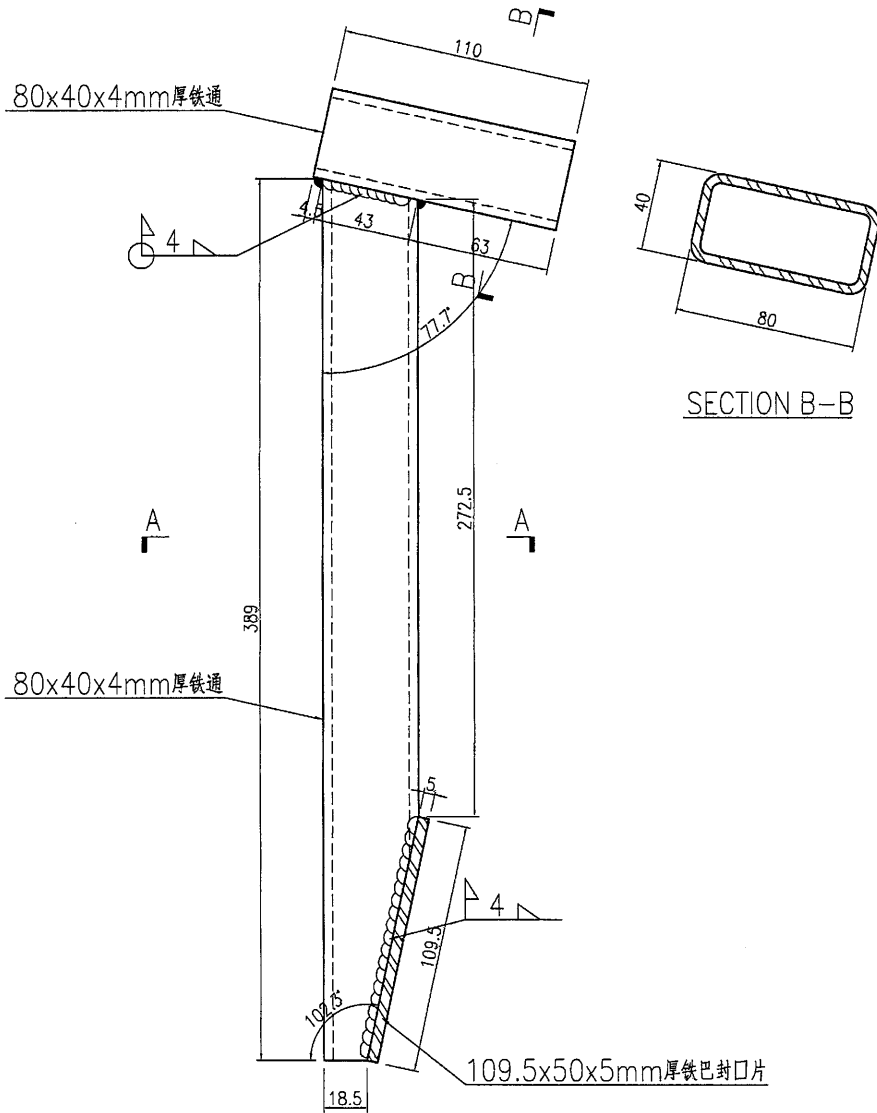
名稱	鐵件加工圖	制圖	曾建平	2020-09-10	修改			
材料	詳見加工圖	復核			日期			
顏色	熱浸鋅+噴瀝青油	批准			圖號	J851-LST-ST29		

④

EG-DWG3

美特鋁質有限公司
MIDI Aluminium Fabricator Ltd.

工程號 J851 地盤 青衣明翹匯



2
D03

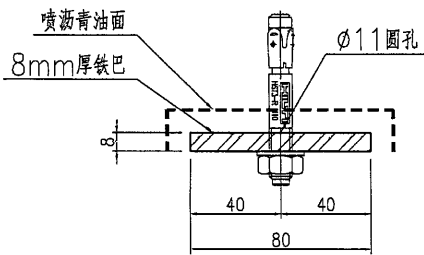
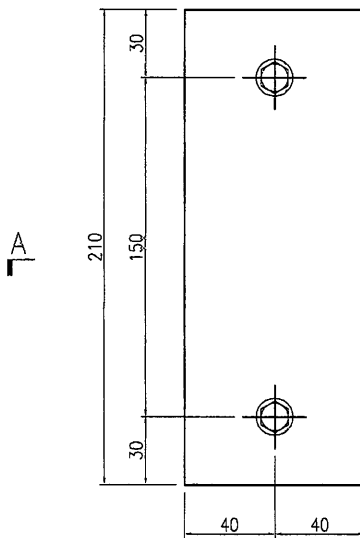
PLAN DETAIL OF ALUMINIUM CLADDING (AL5)
SCALE: 1 : 3

楼层	数量	备注
G/F	2	
1/F	2	
2/F	2	
3/F	2	
5/F	2	
6/F	2	
7/F	2	
8/F	2	
9/F	2	
10/F	2	
11/F	2	
12/F	2	
15/F	2	
16/F	2	
17/F	2	
18/F	2	
19/F	2	
20/F	2	
21/F	2	
22/F	2	
23/F	2	
25/F	2	
26/F	2	
27/F	2	
28/F	2	
29/F	2	
30/F	2	
31/F	2	
32/F		
33/F		
35/F		
R/F		
后备		
合计	56	

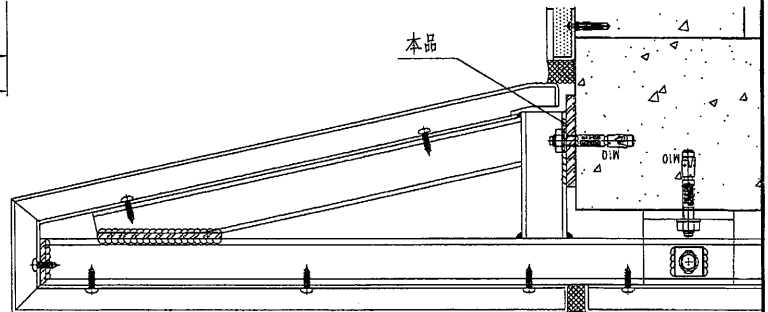
名稱	鐵件加工圖	制圖	曾建平	2020-09-10	修改		
材料	詳見加工圖	復核			日期		
顏色	熱浸鋅+噴瀝青油	批准			圖號	J851-LST-ST30	

美特鋁質 有限公司
MIDI Aluminium Fabricator Ltd.

工程號 J851 地盤 青衣明翹匯



SECTION A-A



2
D03

PLAN DETAIL OF ALUMINIUM CLADDING (AL5)

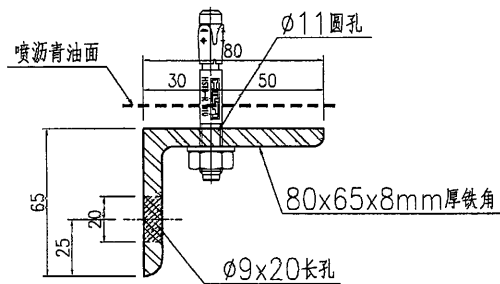
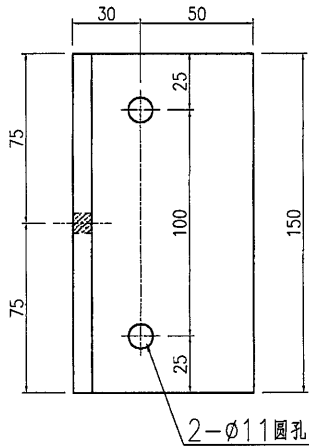
SCALE: 1 : 3

楼层	数量	备注
G/F	2	
1/F	2	
2/F	2	
3/F	2	
5/F	2	
6/F	2	
7/F	2	
8/F	2	
9/F	2	
10/F	2	
11/F	2	
12/F	2	
15/F	2	
16/F	2	
17/F	2	
18/F	2	
19/F	2	
20/F	2	
21/F	2	
22/F	2	
23/F	2	
25/F	2	
26/F	2	
27/F	2	
28/F	2	
29/F	2	
30/F	2	
31/F	2	
32/F		
33/F		
35/F		
R/F		
后备		
合计	56	

名稱	鐵件加工圖	制圖	曾建平	2020-09-10	修改		
材料	詳見加工圖	復核			日期		
顏色	熱浸鋅+噴瀝青油	批准			圖號	J851-LST-ST31	

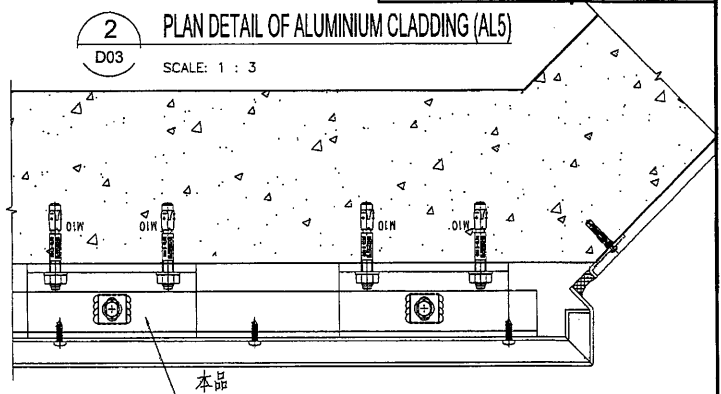
美特鋁質有限公司
MIDI Aluminium Fabricator Ltd.

工程號 J851 地盤 青衣明麗匯



楼层	数量	备注
G/F	8	
1/F	8	
2/F	8	
3/F	8	
5/F	8	
6/F	8	
7/F	8	
8/F	8	
9/F	8	
10/F	8	
11/F	8	
12/F	8	
15/F	8	
16/F	8	
17/F	8	
18/F	8	
19/F	8	
20/F	8	
21/F	8	
22/F	8	
23/F	8	
25/F	8	
26/F	8	
27/F	8	
28/F	8	
29/F	8	
30/F	8	
31/F	8	
32/F		
33/F		
35/F		
R/F		
后备	10	
合计	234	

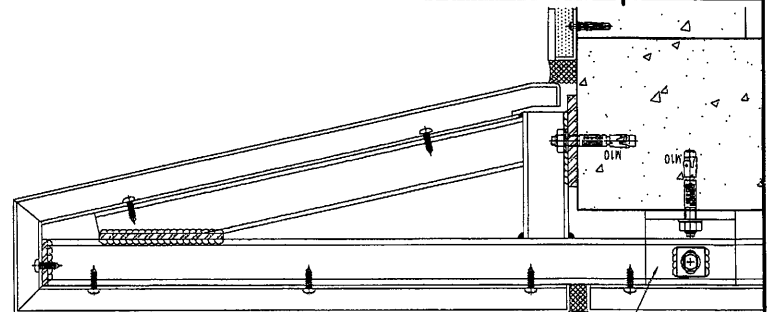
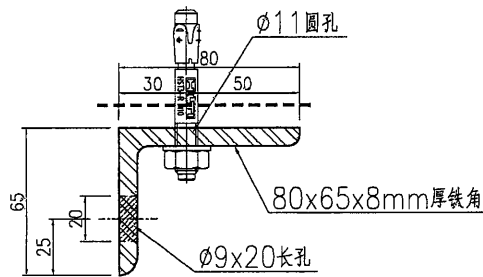
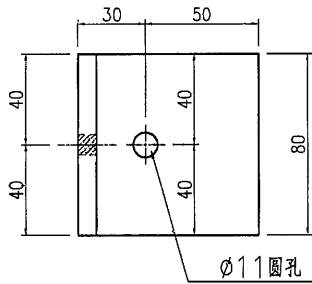
2 PLAN DETAIL OF ALUMINIUM CLADDING (AL5)
D03 SCALE: 1 : 3



名稱	鐵件加工圖	制圖	曾建平	2020-09-10	修改		
材料	詳見加工圖	復核			日期		
顏色	熱浸鋅+噴瀝青油	批准			圖號	J851-LST-ST32	

美特鋁質有限公司
MIDI Aluminium Fabricator Ltd.

工程號 J851 地盤 青衣明翹匯



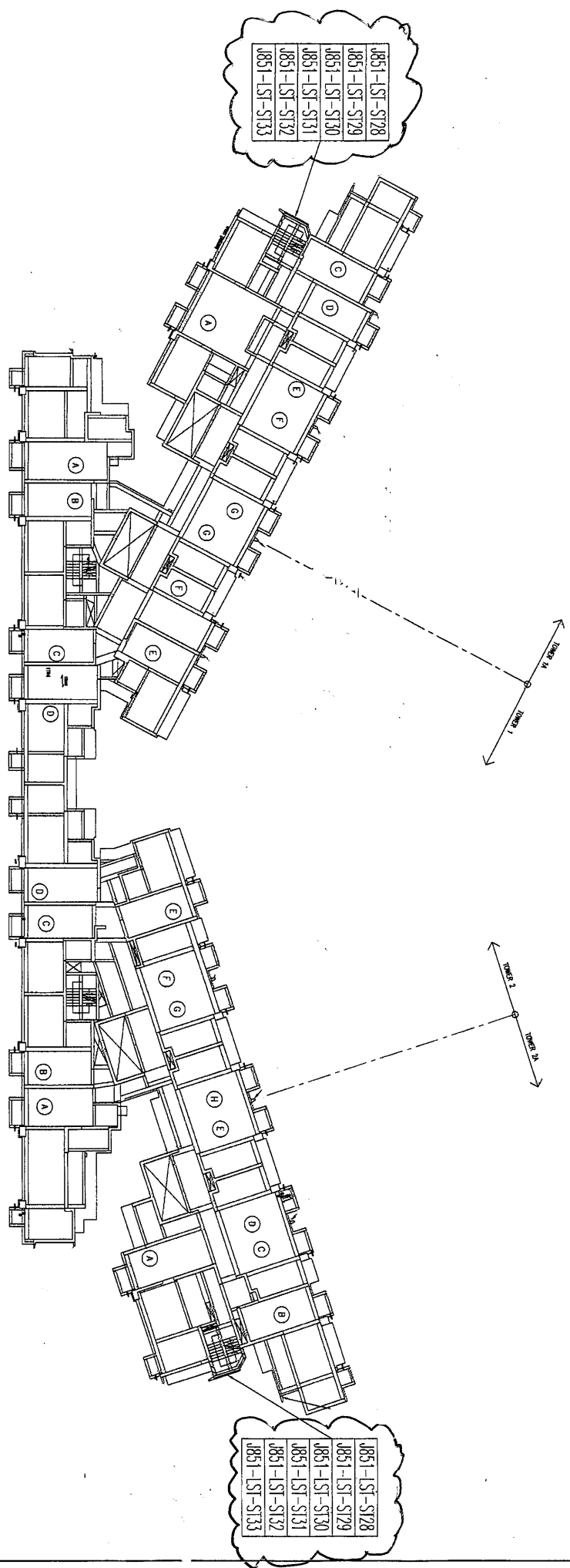
2
D03

PLAN DETAIL OF ALUMINIUM CLADDING (AL5)

SCALE: 1 : 3

楼层	数量	备注
G/F	8	
1/F	8	
2/F	8	
3/F	8	
5/F	8	
6/F	8	
7/F	8	
8/F	8	
9/F	8	
10/F	8	
11/F	8	
12/F	8	
15/F	8	
16/F	8	
17/F	8	
18/F	8	
19/F	8	
20/F	8	
21/F	8	
22/F	8	
23/F	8	
25/F	8	
26/F	8	
27/F	8	
28/F	8	
29/F	8	
30/F	8	
31/F	8	
32/F		
33/F		
35/F		
R/F		
后备	10	
合计	234	


名稱	鐵件加工圖	制圖	曾建平	2020-09-10	修改		
材料	詳見加工圖	復核			日期		
顏色	熱浸鋅+噴瀝青油	批准			圖號	J851-LST-ST33	



- J851-LST-S128
- J851-LST-S129
- J851-LST-S130
- J851-LST-S131
- J851-LST-S132
- J851-LST-S133

- J851-LST-S128
- J851-LST-S129
- J851-LST-S130
- J851-LST-S131
- J851-LST-S132
- J851-LST-S133

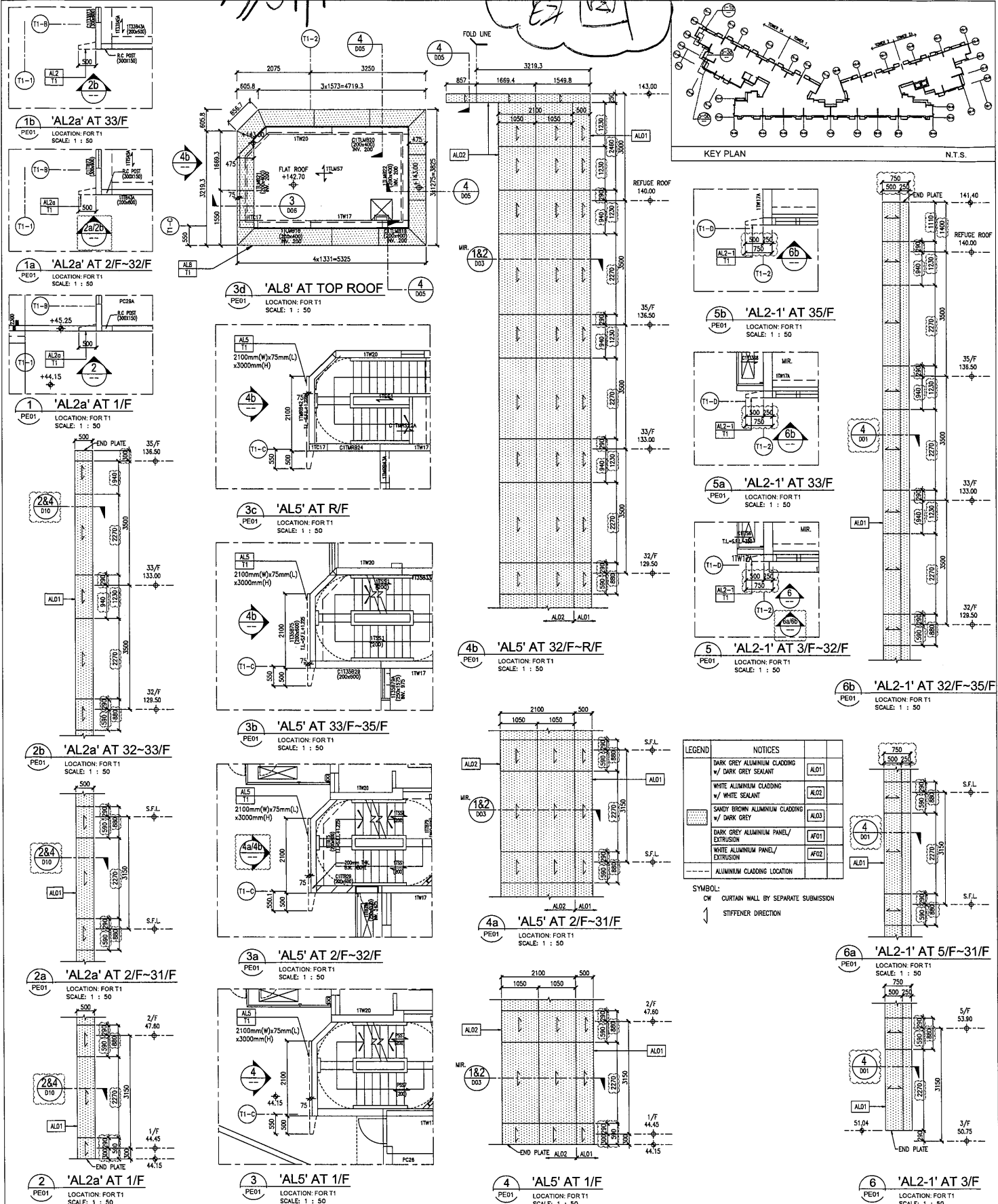
2 ALUMINIUM CLADDING LOCATION PLAN AT 2/F-31/F
 LOCATION FOR TOWER 1/A & 2/A
 SCALE: 1 : 200

 美特铝质 有限公司 MIDI Aluminium Fabricator Ltd.		工程號: J851	圖號: J851-LST-WZ05
地盤: 青衣明匯	顏色:	數量:	圖號: J851-LST-WZ05
位置:	校核: 王禮秋	繪圖: 曾建平	圖號: J851-LST-WZ05
	日期: 2020-09-12	日期: 2020-09-12	圖號: J851-LST-WZ05
	採用: 地盤	批准:	圖號: J851-LST-WZ05
	<input checked="" type="checkbox"/> 工廠	日期:	圖號: J851-LST-WZ05
	版次:	名稱: 鐵件位置圖	圖號: J851-LST-WZ05
		圖號: J851-LST-WZ05	圖號: J851-LST-WZ05

参考用

参考用

9



LEGEND		NOTICES	
[Pattern]	DARK GREY ALUMINIUM CLADDING w/ DARK GREY SEALANT	ALD1	
[Pattern]	WHITE ALUMINIUM CLADDING w/ WHITE SEALANT	ALD2	
[Pattern]	SANDY BROWN ALUMINIUM CLADDING w/ DARK GREY	ALD3	
[Pattern]	DARK GREY ALUMINIUM PANEL/ EXTRUSION	AF01	
[Pattern]	WHITE ALUMINIUM PANEL/ EXTRUSION	AF02	
[Pattern]	ALUMINIUM CLADDING LOCATION		

SYMBOL:
 CW CURTAIN WALL BY SEPARATE SUBMISSION
 ↳ STIFFENER DIRECTION

<p>DATE: 18-11-2019 DRAWN BY: DL CHECK BY: SCALE: A1: 1:50 DWG. NO.: J851-ACI-FC01</p>	<p>JOB NO.: J851 PARTIAL PLAN & PARTIAL ELEVATION OF ALUM. CLADDING AT T1 1/F~35/F</p>	<p>PROJECT: RESIDENTIAL DEVELOPMENT AT TSING YI TOWN, LOT 190 SAN SHAN ROAD</p>	<p>CLIENT: 佳明集團控股有限公司 GRAND MING GROUP HOLDINGS LIMITED</p>	<p>MAIN CONTRACTOR: GRAND TECH CONSTRUCTION CO. LTD.</p>	<p>ARCHITECT: HONGKONG & PARTNERS LIMITED</p>	<p>STRUCTURAL ENGINEER: C.M. WONG & ASSOCIATES LTD.</p>	<p>MECHANICAL ENGINEER: MIDDY ALUMINIUM FABRICATOR LTD. Units 6-8, Suning Industrial Centre, 1/F 610 Chee Yee Ling Road, Kowloon Tel: 24289211-4 Fax: 24282727868</p>	<p>REVISIONS:</p> <table border="1"> <thead> <tr> <th>NO.</th> <th>DATE</th> <th>REVISION</th> </tr> </thead> <tbody> <tr> <td>1</td> <td>26/09/2020</td> <td>GENERAL REVISION</td> </tr> <tr> <td>2</td> <td>27/09/2020</td> <td>GENERAL REVISION</td> </tr> <tr> <td>3</td> <td>02/10/2020</td> <td>GENERAL REVISION</td> </tr> </tbody> </table>	NO.	DATE	REVISION	1	26/09/2020	GENERAL REVISION	2	27/09/2020	GENERAL REVISION	3	02/10/2020	GENERAL REVISION	<p>DATE: 18-11-2019 DRAWN BY: DL CHECK BY: SCALE: A1: 1:50 DWG. NO.: J851-ACI-FC01</p>
NO.	DATE	REVISION																			
1	26/09/2020	GENERAL REVISION																			
2	27/09/2020	GENERAL REVISION																			
3	02/10/2020	GENERAL REVISION																			

S.D. REF:

1. All dimensions are in mm.
 2. All dimensions are viewed from outside.
 3. All dimensions to be verified on site before fabrication.

GENERAL NOTES

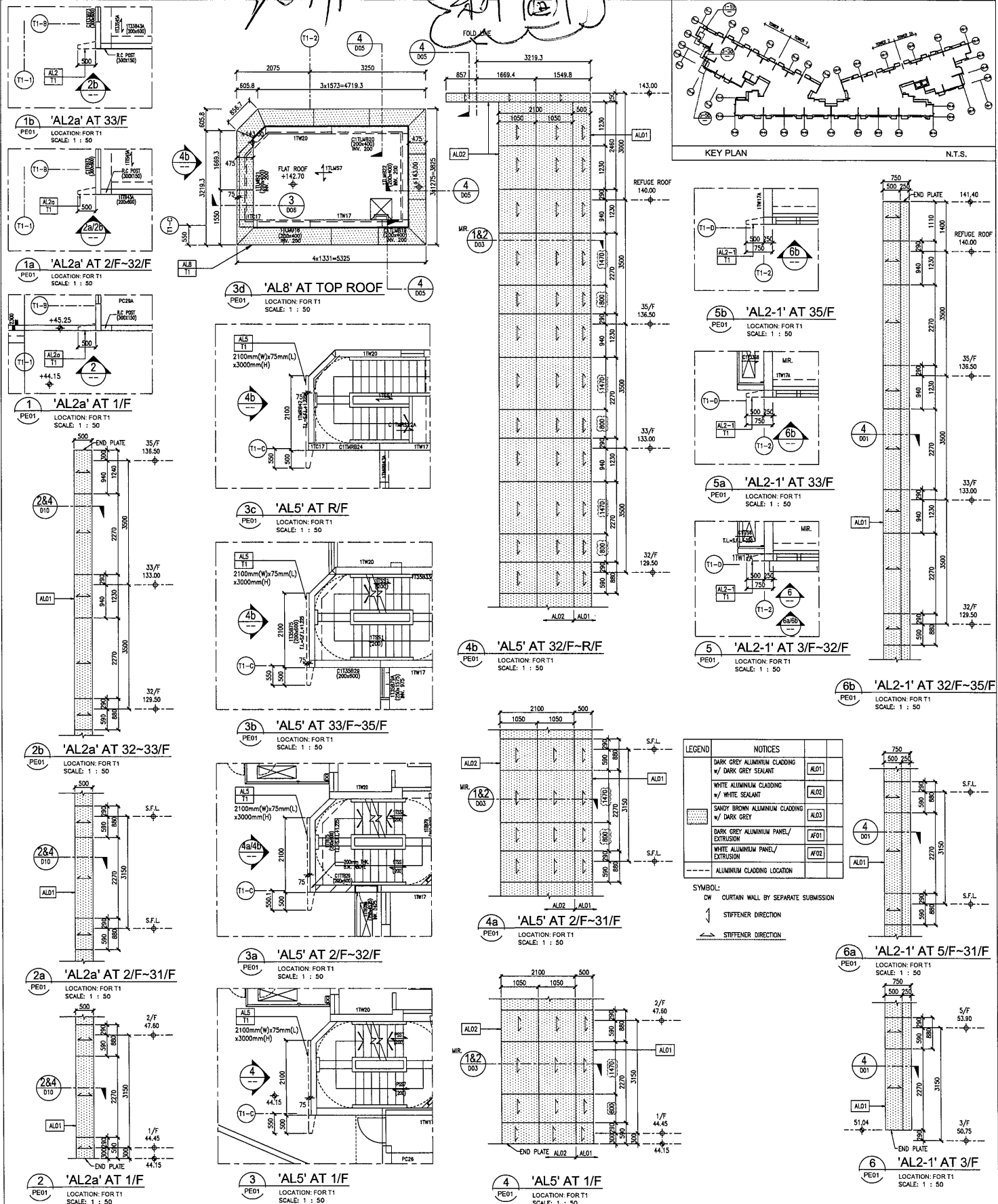
Legend:

1. F11 - Rofuled floor level
 2. SFL - Structural floor level
 3. (Symbol) - Recessed shaft
 4. MR - Mirror

DETAIL WORK NO. X1-0001
 SHEET SHEET NO.

新圖 (New Drawing)

10



LEGEND		NOTICES	
[Pattern]	DARK GREY ALUMINUM CLADDING	AL01	
[Pattern]	W/ DARK GREY SEALANT	AL02	
[Pattern]	WHITE ALUMINUM CLADDING	AL03	
[Pattern]	W/ WHITE SEALANT	AF01	
[Pattern]	SANDY BROWN ALUMINUM CLADDING	AF02	
[Pattern]	W/ DARK GREY SEALANT		
[Pattern]	DARK GREY ALUMINUM PANEL/ EXTRUSION		
[Pattern]	WHITE ALUMINUM PANEL/ EXTRUSION		
[Pattern]	ALUMINUM CLADDING LOCATION		

SYMBOL:
 CW CURTAIN WALL BY SEPARATE SUBMISSION
 ↖ STIFFENER DIRECTION
 ↗ STIFFENER DIRECTION

CLIENT: 佳明集團控股有限公司 GRAND MING GROUP HOLDINGS LIMITED		MAIN CONTRACTOR: GRAND TECH CONSTRUCTION CO. LTD.		ARCHITECT: WONG TING & PARTNERS LIMITED		STRUCTURAL ENGINEER: CMA CHAMONG & ASSOCIATES LTD	
PROJECT: RESIDENTIAL DEVELOPMENT AT TSIANG YI TOWN LOT 190 SAN SHAN ROAD		DATE: 18-11-2019		SCALE: A1: 1:50		REV: 0	
GENERAL NOTES: 1. All dimensions are in mm. 2. All dimensions are viewed from outside. 3. All dimensions to be verified on site before fabrication.							
Legend: 1. F.S. - Fixed floor level 2. S.F.L. - Structural floor level 3. R.F.L. - Revised floor level 4. M.H. - Mirror							
STRUCTURAL & FINISH FLOOR LEVEL DATA FOR T1, T2, T3, T4, T5, T6, T7, T8, T9, T10, T11 (LOW, HIGH, ZONE, LCH, LCH1, LCH2, LCH3, LCH4, LCH5, LCH6, LCH7, LCH8, LCH9, LCH10, LCH11, LCH12, LCH13, LCH14, LCH15, LCH16, LCH17, LCH18, LCH19, LCH20, LCH21, LCH22, LCH23, LCH24, LCH25, LCH26, LCH27, LCH28, LCH29, LCH30, LCH31, LCH32, LCH33, LCH34, LCH35, LCH36, LCH37, LCH38, LCH39, LCH40, LCH41, LCH42, LCH43, LCH44, LCH45, LCH46, LCH47, LCH48, LCH49, LCH50, LCH51, LCH52, LCH53, LCH54, LCH55, LCH56, LCH57, LCH58, LCH59, LCH60, LCH61, LCH62, LCH63, LCH64, LCH65, LCH66, LCH67, LCH68, LCH69, LCH70, LCH71, LCH72, LCH73, LCH74, LCH75, LCH76, LCH77, LCH78, LCH79, LCH80, LCH81, LCH82, LCH83, LCH84, LCH85, LCH86, LCH87, LCH88, LCH89, LCH90, LCH91, LCH92, LCH93, LCH94, LCH95, LCH96, LCH97, LCH98, LCH99, LCH100, LCH101, LCH102, LCH103, LCH104, LCH105, LCH106, LCH107, LCH108, LCH109, LCH110, LCH111, LCH112, LCH113, LCH114, LCH115, LCH116, LCH117, LCH118, LCH119, LCH120, LCH121, LCH122, LCH123, LCH124, LCH125, LCH126, LCH127, LCH128, LCH129, LCH130, LCH131, LCH132, LCH133, LCH134, LCH135, LCH136, LCH137, LCH138, LCH139, LCH140, LCH141, LCH142, LCH143, LCH144, LCH145, LCH146, LCH147, LCH148, LCH149, LCH150, LCH151, LCH152, LCH153, LCH154, LCH155, LCH156, LCH157, LCH158, LCH159, LCH160, LCH161, LCH162, LCH163, LCH164, LCH165, LCH166, LCH167, LCH168, LCH169, LCH170, LCH171, LCH172, LCH173, LCH174, LCH175, LCH176, LCH177, LCH178, LCH179, LCH180, LCH181, LCH182, LCH183, LCH184, LCH185, LCH186, LCH187, LCH188, LCH189, LCH190, LCH191, LCH192, LCH193, LCH194, LCH195, LCH196, LCH197, LCH198, LCH199, LCH200, LCH201, LCH202, LCH203, LCH204, LCH205, LCH206, LCH207, LCH208, LCH209, LCH210, LCH211, LCH212, LCH213, LCH214, LCH215, LCH216, LCH217, LCH218, LCH219, LCH220, LCH221, LCH222, LCH223, LCH224, LCH225, LCH226, LCH227, LCH228, LCH229, LCH230, LCH231, LCH232, LCH233, LCH234, LCH235, LCH236, LCH237, LCH238, LCH239, LCH240, LCH241, LCH242, LCH243, LCH244, LCH245, LCH246, LCH247, LCH248, LCH249, LCH250, LCH251, LCH252, LCH253, LCH254, LCH255, LCH256, LCH257, LCH258, LCH259, LCH260, LCH261, LCH262, LCH263, LCH264, LCH265, LCH266, LCH267, LCH268, LCH269, LCH270, LCH271, LCH272, LCH273, LCH274, LCH275, LCH276, LCH277, LCH278, LCH279, LCH280, LCH281, LCH282, LCH283, LCH284, LCH285, LCH286, LCH287, LCH288, LCH289, LCH290, LCH291, LCH292, LCH293, LCH294, LCH295, LCH296, LCH297, LCH298, LCH299, LCH300, LCH301, LCH302, LCH303, LCH304, LCH305, LCH306, LCH307, LCH308, LCH309, LCH310, LCH311, LCH312, LCH313, LCH314, LCH315, LCH316, LCH317, LCH318, LCH319, LCH320, LCH321, LCH322, LCH323, LCH324, LCH325, LCH326, LCH327, LCH328, LCH329, LCH330, LCH331, LCH332, LCH333, LCH334, LCH335, LCH336, LCH337, LCH338, LCH339, LCH340, LCH341, LCH342, LCH343, LCH344, LCH345, LCH346, LCH347, LCH348, LCH349, LCH350, LCH351, LCH352, LCH353, LCH354, LCH355, LCH356, LCH357, LCH358, LCH359, LCH360, LCH361, LCH362, LCH363, LCH364, LCH365, LCH366, LCH367, LCH368, LCH369, LCH370, LCH371, LCH372, LCH373, LCH374, LCH375, LCH376, LCH377, LCH378, LCH379, LCH380, LCH381, LCH382, LCH383, LCH384, LCH385, LCH386, LCH387, LCH388, LCH389, LCH390, LCH391, LCH392, LCH393, LCH394, LCH395, LCH396, LCH397, LCH398, LCH399, LCH400, LCH401, LCH402, LCH403, LCH404, LCH405, LCH406, LCH407, LCH408, LCH409, LCH410, LCH411, LCH412, LCH413, LCH414, LCH415, LCH416, LCH417, LCH418, LCH419, LCH420, LCH421, LCH422, LCH423, LCH424, LCH425, LCH426, LCH427, LCH428, LCH429, LCH430, LCH431, LCH432, LCH433, LCH434, LCH435, LCH436, LCH437, LCH438, LCH439, LCH440, LCH441, LCH442, LCH443, LCH444, LCH445, LCH446, LCH447, LCH448, LCH449, LCH450, LCH451, LCH452, LCH453, LCH454, LCH455, LCH456, LCH457, LCH458, LCH459, LCH460, LCH461, LCH462, LCH463, LCH464, LCH465, LCH466, LCH467, LCH468, LCH469, LCH470, LCH471, LCH472, LCH473, LCH474, LCH475, LCH476, LCH477, LCH478, LCH479, LCH480, LCH481, LCH482, LCH483, LCH484, LCH485, LCH486, LCH487, LCH488, LCH489, LCH490, LCH491, LCH492, LCH493, LCH494, LCH495, LCH496, LCH497, LCH498, LCH499, LCH500, LCH501, LCH502, LCH503, LCH504, LCH505, LCH506, LCH507, LCH508, LCH509, LCH510, LCH511, LCH512, LCH513, LCH514, LCH515, LCH516, LCH517, LCH518, LCH519, LCH520, LCH521, LCH522, LCH523, LCH524, LCH525, LCH526, LCH527, LCH528, LCH529, LCH530, LCH531, LCH532, LCH533, LCH534, LCH535, LCH536, LCH537, LCH538, LCH539, LCH540, LCH541, LCH542, LCH543, LCH544, LCH545, LCH546, LCH547, LCH548, LCH549, LCH550, LCH551, LCH552, LCH553, LCH554, LCH555, LCH556, LCH557, LCH558, LCH559, LCH560, LCH561, LCH562, LCH563, LCH564, LCH565, LCH566, LCH567, LCH568, LCH569, LCH570, LCH571, LCH572, LCH573, LCH574, LCH575, LCH576, LCH577, LCH578, LCH579, LCH580, LCH581, LCH582, LCH583, LCH584, LCH585, LCH586, LCH587, LCH588, LCH589, LCH590, LCH591, LCH592, LCH593, LCH594, LCH595, LCH596, LCH597, LCH598, LCH599, LCH600, LCH601, LCH602, LCH603, LCH604, LCH605, LCH606, LCH607, LCH608, LCH609, LCH610, LCH611, LCH612, LCH613, LCH614, LCH615, LCH616, LCH617, LCH618, LCH619, LCH620, LCH621, LCH622, LCH623, LCH624, LCH625, LCH626, LCH627, LCH628, LCH629, LCH630, LCH631, LCH632, LCH633, LCH634, LCH635, LCH636, LCH637, LCH638, LCH639, LCH640, LCH641, LCH642, LCH643, LCH644, LCH645, LCH646, LCH647, LCH648, LCH649, LCH650, LCH651, LCH652, LCH653, LCH654, LCH655, LCH656, LCH657, LCH658, LCH659, LCH660, LCH661, LCH662, LCH663, LCH664, LCH665, LCH666, LCH667, LCH668, LCH669, LCH670, LCH671, LCH672, LCH673, LCH674, LCH675, LCH676, LCH677, LCH678, LCH679, LCH680, LCH681, LCH682, LCH683, LCH684, LCH685, LCH686, LCH687, LCH688, LCH689, LCH690, LCH691, LCH692, LCH693, LCH694, LCH695, LCH696, LCH697, LCH698, LCH699, LCH700, LCH701, LCH702, LCH703, LCH704, LCH705, LCH706, LCH707, LCH708, LCH709, LCH710, LCH711, LCH712, LCH713, LCH714, LCH715, LCH716, LCH717, LCH718, LCH719, LCH720, LCH721, LCH722, LCH723, LCH724, LCH725, LCH726, LCH727, LCH728, LCH729, LCH730, LCH731, LCH732, LCH733, LCH734, LCH735, LCH736, LCH737, LCH738, LCH739, LCH740, LCH741, LCH742, LCH743, LCH744, LCH745, LCH746, LCH747, LCH748, LCH749, LCH750, LCH751, LCH752, LCH753, LCH754, LCH755, LCH756, LCH757, LCH758, LCH759, LCH760, LCH761, LCH762, LCH763, LCH764, LCH765, LCH766, LCH767, LCH768, LCH769, LCH770, LCH771, LCH772, LCH773, LCH774, LCH775, LCH776, LCH777, LCH778, LCH779, LCH780, LCH781, LCH782, LCH783, LCH784, LCH785, LCH786, LCH787, LCH788, LCH789, LCH790, LCH791, LCH792, LCH793, LCH794, LCH795, LCH796, LCH797, LCH798, LCH799, LCH800, LCH801, LCH802, LCH803, LCH804, LCH805, LCH806, LCH807, LCH808, LCH809, LCH810, LCH811, LCH812, LCH813, LCH814, LCH815, LCH816, LCH817, LCH818, LCH819, LCH820, LCH821, LCH822, LCH823, LCH824, LCH825, LCH826, LCH827, LCH828, LCH829, LCH830, LCH831, LCH832, LCH833, LCH834, LCH835, LCH836, LCH837, LCH838, LCH839, LCH840, LCH841, LCH842, LCH843, LCH844, LCH845, LCH846, LCH847, LCH848, LCH849, LCH850, LCH851, LCH852, LCH853, LCH854, LCH855, LCH856, LCH857, LCH858, LCH859, LCH860, LCH861, LCH862, LCH863, LCH864, LCH865, LCH866, LCH867, LCH868, LCH869, LCH870, LCH871, LCH872, LCH873, LCH874, LCH875, LCH876, LCH877, LCH878, LCH879, LCH880, LCH881, LCH882, LCH883, LCH884, LCH885, LCH886, LCH887, LCH888, LCH889, LCH890, LCH891, LCH892, LCH893, LCH894, LCH895, LCH896, LCH897, LCH898, LCH899, LCH900, LCH901, LCH902, LCH903, LCH904, LCH905, LCH906, LCH907, LCH908, LCH909, LCH910, LCH911, LCH912, LCH913, LCH914, LCH915, LCH916, LCH917, LCH918, LCH919, LCH920, LCH921, LCH922, LCH923, LCH924, LCH925, LCH926, LCH927, LCH928, LCH929, LCH930, LCH931, LCH932, LCH933, LCH934, LCH935, LCH936, LCH937, LCH938, LCH939, LCH940, LCH941, LCH942, LCH943, LCH944, LCH945, LCH946, LCH947, LCH948, LCH949, LCH950, LCH951, LCH952, LCH953, LCH954, LCH955, LCH956, LCH957, LCH958, LCH959, LCH960, LCH961, LCH962, LCH963, LCH964, LCH965, LCH966, LCH967, LCH968, LCH969, LCH970, LCH971, LCH972, LCH973, LCH974, LCH975, LCH976, LCH977, LCH978, LCH979, LCH980, LCH981, LCH982, LCH983, LCH984, LCH985, LCH986, LCH987, LCH988, LCH989, LCH990, LCH991, LCH992, LCH993, LCH994, LCH995, LCH996, LCH997, LCH998, LCH999, LCH1000, LCH1001, LCH1002, LCH1003, LCH1004, LCH1005, LCH1006, LCH1007, LCH1008, LCH1009, LCH1010, LCH1011, LCH1012, LCH1013, LCH1014, LCH1015, LCH1016, LCH1017, LCH1018, LCH1019, LCH1020, LCH1021, LCH1022, LCH1023, LCH1024, LCH1025, LCH1026, LCH1027, LCH1028, LCH1029, LCH1030, LCH1031, LCH1032, LCH1033, LCH1034, LCH1035, LCH1036, LCH1037, LCH1038, LCH1039, LCH1040, LCH1041, LCH1042, LCH1043, LCH1044, LCH1045, LCH1046, LCH1047, LCH1048, LCH1049, LCH1050, LCH1051, LCH1052, LCH1053, LCH1054, LCH1055, LCH1056, LCH1057, LCH1058, LCH1059, LCH1060, LCH1061, LCH1062, LCH1063, LCH1064, LCH1065, LCH1066, LCH1067, LCH1068, LCH1069, LCH1070, LCH1071, LCH1072, LCH1073, LCH1074, LCH1075, LCH1076, LCH1077, LCH1078, LCH1079, LCH1080, LCH1081, LCH1082, LCH1083, LCH1084, LCH1085, LCH1086, LCH1087, LCH1088, LCH1089, LCH1090, LCH1091, LCH1092, LCH1093, LCH1094, LCH1095, LCH1096, LCH1097, LCH1098, LCH1099, LCH1100, LCH1101, LCH1102, LCH1103, LCH1104, LCH1105, LCH1106, LCH1107, LCH1108, LCH1109, LCH1110, LCH1111, LCH1112, LCH1113, LCH1114, LCH1115, LCH1116, LCH1117, LCH1118, LCH1119, LCH1120, LCH1121, LCH1122, LCH1123, LCH1124, LCH1125, LCH1126, LCH1127, LCH1128, LCH1129, LCH1130, LCH1131, LCH1132, LCH1133, LCH1134, LCH1135, LCH1136, LCH1137, LCH1138, LCH1139, LCH1140, LCH1141, LCH1142, LCH1143, LCH1144, LCH1145, LCH1146, LCH1147, LCH1148, LCH1149, LCH1150, LCH1151, LCH1152, LCH1153, LCH1154, LCH1155, LCH1156, LCH1157, LCH1158, LCH1159, LCH1160, LCH1161, LCH1162, LCH1163, LCH1164, LCH1165, LCH1166, LCH1167, LCH1168, LCH1169, LCH1170, LCH1171, LCH1172, LCH1173, LCH1174, LCH1175, LCH1176, LCH1177, LCH1178, LCH1179, LCH1180, LCH1181, LCH1182, LCH1183, LCH1184, LCH1185, LCH1186, LCH1187, LCH1188, LCH1189, LCH1190, LCH1191, LCH1192, LCH1193, LCH1194, LCH1195, LCH1196, LCH1197, LCH1198, LCH1199, LCH1200, LCH1201, LCH1202, LCH1203, LCH1204, LCH1205, LCH1206, LCH1207, LCH1208, LCH1209, LCH1210, LCH1211, LCH1212, LCH1213, LCH1214, LCH1215, LCH1216, LCH1217, LCH1218, LCH1219, LCH1220, LCH1221, LCH1222, LCH1223, LCH1224, LCH1225, LCH1226, LCH1227, LCH1228, LCH1229, LCH1230, LCH1231, LCH1232, LCH1233, LCH1234, LCH1235, LCH1236, LCH1237, LCH1238, LCH1239, LCH1240, LCH1241, LCH1242, LCH1243, LCH1244, LCH1245, LCH1246, LCH1247, LCH1248, LCH1249, LCH1250, LCH1251, LCH1252, LCH1253, LCH1254, LCH1255, LCH1256, LCH1257, LCH1258, LCH1259, LCH1260, LCH1261, LCH1262, LCH1263, LCH1264, LCH1265, LCH1266, LCH1267, LCH1268, LCH1269, LCH1270, LCH1271, LCH1272, LCH1273, LCH1274, LCH1275, LCH1276, LCH1277, LCH1278, LCH1279, LCH1280, LCH1281, LCH1282, LCH1283, LCH1284, LCH1285, LCH1286, LCH1287, LCH1288, LCH1289, LCH1290, LCH1291, LCH1292, LCH1293, LCH1294, LCH1295, LCH1296, LCH1297, LCH1298, LCH1299, LCH1300, LCH1301, LCH1302, LCH1303, LCH1304, LCH1305, LCH1306, LCH1307, LCH1308, LCH1309, LCH1310, LCH1311, LCH1312, LCH1313, LCH1314, LCH1315, LCH1316, LCH1317, LCH1318, LCH1319, LCH1320, LCH1321, LCH1322, LCH1323, LCH1324, LCH1325, LCH1326, LCH1327, LCH1328, LCH1329, LCH1330, LCH1331, LCH1332, LCH1333, LCH1334, LCH1335, LCH1336, LCH1337, LCH1338, LCH1339, LCH1340, LCH1341, LCH1342, LCH1343, LCH1344, LCH1345, LCH1346, LCH1347, LCH1348, LCH1349, LCH1350, LCH1351, LCH1352, LCH1353, LCH1354, LCH1355, LCH1356, LCH1357, LCH1358, LCH1359, LCH1360, LCH1361, LCH1362, LCH1363, LCH1364, LCH1365, LCH1366, LCH1367, LCH1368, LCH1369, LCH1370, LCH1371, LCH1372, LCH1373, LCH1374, LCH1375, LCH1376, LCH1377, LCH1378, LCH1379, LCH1380, LCH1381, LCH1382, LCH1383, LCH1384, LCH1385, LCH1386, LCH1387, LCH1388, LCH1389, LCH1390, LCH1391, LCH1392, LCH1393, LCH1394, LCH1395, LCH1396, LCH1397, LCH1398, LCH1399, LCH1400, LCH1401, LCH1402, LCH1403, LCH1404, LCH1405, LCH1406, LCH1407, LCH1408, LCH1409, LCH1410, LCH1411, LCH1412, LCH1413, LCH1414, LCH1415, LCH1416, LCH1417, LCH1418, LCH1419, LCH1420, LCH1421, LCH1422, LCH1423, LCH1424, LCH1425, LCH1426, LCH1427, LCH1428, LCH1429, LCH1430, LCH1431, LCH1432, LCH1433, LCH1434, LCH1435, LCH1436, LCH1437, LCH1438, LCH1439, LCH1440, LCH1441, LCH1442, LCH1443, LCH1444, LCH1445, LCH1446, LCH1447, LCH1448, LCH1449, LCH1450, LCH1451, LCH1452, LCH1453, LCH1454, LCH1455, LCH1456, LCH1457, LCH1458, LCH1459, LCH1460, LCH1461, LCH1462, LCH1463, LCH1464, LCH1465, LCH1466, LCH1467, LCH1468, LCH1469, LCH1470, LCH1471, LCH1472, LCH1473, LCH1474, LCH1475, LCH1476, LCH1477, LCH1478, LCH1479, LCH1480, LCH1481, LCH1482, LCH1483, LCH1484, LCH1485, LCH1486, LCH1487, LCH1488, LCH1489, LCH1490, LCH1491, LCH1492, LCH1493, LCH1494, LCH1495, LCH1496, LCH1497, LCH1498, LCH1499, LCH1500, LCH1501, LCH1502, LCH1503, LCH1504, LCH1505, LCH1506, LCH1507, LCH1508, LCH1509, LCH1510, LCH1511, LCH1512, LCH1513, LCH1514, LCH1515, LCH1516, LCH1517, LCH1518, LCH1519, LCH1520, LCH1521, LCH1522, LCH1523, LCH1524, LCH1525, LCH1526, LCH1527, LCH1528, LCH1529, LCH1530, LCH1531, LCH1532, LCH1533, LCH1534, LCH1535, LCH1536, LCH1537, LCH1538, LCH1539, LCH1540, LCH1541, LCH1542, LCH1543, LCH1544, LCH1545, LCH1546, LCH1547, LCH1548, LCH1549, LCH1550, LCH1551, LCH1552, LCH1553, LCH1554, LCH1555, LCH1556, LCH1557, LCH1558, LCH1559, LCH1560, LCH1561, LCH1562, LCH1563, LCH1564, LCH1565, LCH1566, LCH1567, LCH1568, LCH1569, LCH1570, LCH1571, LCH1572, LCH1573, LCH1574, LCH1575, LCH1576, LCH1577, LCH1578, LCH1579, LCH1580, LCH1581, LCH1582, LCH1583, LCH1584, LCH1585, LCH1586, LCH1587, LCH1588, LCH1589, LCH1590, LCH1591, LCH1592, LCH1593, LCH1594, LCH1595, LCH1596, LCH1597, LCH1598, LCH1599, LCH1600, LCH1601, LCH1602, LCH1603, LCH1604, LCH1605, LCH1606, LCH1607, LCH1608, LCH1609, LCH1610, LCH1611, LCH1612, LCH1613, LCH1614, LCH1615, LCH1616, LCH1617, LCH1618, LCH1619, LCH1620, LCH1621, LCH1622, LCH1623, LCH1624, LCH1625, LCH1626, LCH1627, LCH1628, LCH1629, LCH1630, LCH1631, LCH1632, LCH1633, LCH1634, LCH1635, LCH1636, LCH1637, LCH1638, LCH1639, LCH1640, LCH1641, LCH1642, LCH1643, LCH1644, LCH1645, LCH1646, LCH1647, LCH1648, LCH1649, LCH1650, LCH1651, LCH1652, LCH1653, LCH1654, LCH1655, LCH1656, LCH1657, LCH1658, LCH1659, LCH1660, LCH1661, LCH1662, LCH1663, LCH1664, LCH1665, LCH1666, LCH1667, LCH1668, LCH1669, LCH1670, LCH1671, LCH1672, LCH1673, LCH1674, LCH1675, LCH1676, LCH1677, LCH1678, LCH1679, LCH1680, LCH1681, LCH1682, LCH1683, LCH1684, LCH1685, LCH1686, LCH1687, LCH1688, LCH1689, LCH1690, LCH1691, LCH1692, LCH1693, LCH1694, LCH1695, LCH1696, LCH1697, LCH1698, LCH1699, LCH1700, LCH1701, LCH1702, LCH1703, LCH1704, LCH1705, LCH1706, LCH1707, LCH1708, LCH1709, LCH1710, LCH1711, LCH1712, LCH1713, LCH1714, LCH1715							