

工程指示 / 要求簡箋(E.I.)

工程指示編號：EI / 2871 / 21 修改版次：K
 工程編號：J851 工程名稱：青衣明翹匯
 工程項目：幕牆單元件 - 鋁料加工圖
 收件人：生統 發件人：Yancy Chen 日期：13/05/2021

要求提供 / 確認 事項：

- | | | |
|------------------------------------|-------------------------------------|-------------------------------|
| <input type="checkbox"/> 初步鋁料 B.M. | <input type="checkbox"/> 加工拆圖，然後生產 | <input type="checkbox"/> 尺寸表 |
| <input type="checkbox"/> 正式鋁料 B.M. | <input type="checkbox"/> 技術上資料 / 指示 | <input type="checkbox"/> 報價 |
| <input type="checkbox"/> 配件 B.M. | <input type="checkbox"/> 樣辦或貨品說明書 | <input type="checkbox"/> 分判合約 |
| <input type="checkbox"/> 其他：_____ | | |

內容：

請按附件派位圖和修改圖加工。

其中：藍色位置單元件內的 X85738 改成白色。

(因 EI2475 和 EI2681 已到 K 版，無法登記，EI2871 是 EI2475 和 EI2681 的修改版)

請在 20/5/2021 前完成上列要求。

附：

1+ 27 頁

以上項目為：

- 原合約工程包 原合約工程加 / 減賬 新工程報價

原因：-

分發東莞各部門：

- () 生產技術總監 連附件 () 技術部 連附件 () 生產部 連附件 () 機械設計部 連附件
 () 採購部 連附件 (✓) 生產統籌部 連附件
 () 質檢部 連附件 () 會計部 連附件 () 報關組 連附件 () 其他 _____ 連附件

分發香港各部門：

- () 行政部 連附件 () 會計部 連附件 () 統籌部 連附件 (✓) 工程部地盤科文 連附件 *積哥*
 () 採購部 連附件 () QS 部 連附件 () 維修部 連附件 () 其他 _____ 連附件

傳遞編號：

HK1063 / 21

發件人簽署：

Yancy Chen

項目經理簽署：

[Signature]

J851单元幕墙单元件派位图(3)

T1-CW4

T1-CW3

36F (Roof)	T1-CW4-3601 WFC-672.5Hy	T1-CW4-3602 WFe-707.5Hy	T1-CW4-3603 WFe-1690Hy	T1-CW4-3604 WFe-672.5Hy	T1-CW4-3605 WFe-672.5Hy	T1-CW4-3606 WFe-1590Hy	T1-CW4-3607 WFe-707.5Hy	T1-CW4-3608 WFD-672.5Hy
35F	T1-CW4-3501 WSLa-672.5H9a-c1	T1-CW4-3502 WFe-707.5H9	T1-CW4-3503 WFe-1690H9	T1-CW4-3504 WSRm-672.5H9a-b2S	T1-CW4-3505 WSLm-672.5H9a-b1S	T1-CW4-3506 WFe-1590H9	T1-CW4-3507 WFe-707.5H9	T1-CW4-3508 WSRb-672.5H9a-c2
33F	T1-CW4-3301 WSLa-672.5H9-c1	T1-CW4-3302 WFe-707.5H9	T1-CW4-3303 WFe-1690H9	T1-CW4-3304 WSRm-672.5H9-b2S	T1-CW4-3305 WSLm-672.5H9-b1S	T1-CW4-3306 WFe-1590H9	T1-CW4-3307 WFe-707.5H9	T1-CW4-3308 WSRb-672.5H9-c2
32F	T1-CW4-3201 WSLa-672.5Hv-c1F	T1-CW4-3202 WFe-707.5Hv-b2F	T1-CW4-3203 WFe-1690Hv-b1F	T1-CW4-3204 WSRm-672.5Hv-b2SF	T1-CW4-3205 WSLm-672.5Hv-b1SF	T1-CW4-3206 WFe-1590Hv-b2F	T1-CW4-3207 WFe-707.5Hv-b1F	T1-CW4-3208 WSRb-672.5Hv-c2F
31F	T1-CW4-3101 WSLa-672.5H1-c1	T1-CW4-3102 WFe-707.5H1-b2	T1-CW4-3103 WFe-1690H1-b1	T1-CW4-3104 WSRm-672.5H1-b2S	T1-CW4-3105 WSLm-672.5H1-b1S	T1-CW4-3106 WFe-1590H1-b2	T1-CW4-3107 WFe-707.5H1-b1	T1-CW4-3108 WSRb-672.5H1-c2
30F	T1-CW4-3001 WSLa-672.5H1-c1	T1-CW4-3002 WFe-707.5H1-b2F	T1-CW4-3003 WFe-1690H1-b1F	T1-CW4-3004 WSRm-672.5H1-b2SF	T1-CW4-3005 WSLm-672.5H1-b1SF	T1-CW4-3006 WFe-1590H1-b2F	T1-CW4-3007 WFe-707.5H1-b1F	T1-CW4-3008 WSRb-672.5H1-c2
29F	T1-CW4-2901 WSLa-672.5H1-c1	T1-CW4-2902 WFe-707.5H1-b2S	T1-CW4-2903 WFe-1690H1-b1S	T1-CW4-2904 WSRm-672.5H1-b2S	T1-CW4-2905 WSLm-672.5H1-b1S	T1-CW4-2906 WFe-1590H1-b2S	T1-CW4-2907 WFe-707.5H1-b1S	T1-CW4-2908 WSRb-672.5H1-c2
28F	T1-CW4-2801 WSLa-672.5H1-c1	T1-CW4-2802 WFe-707.5H1-b2F	T1-CW4-2803 WFe-1690H1-b1F	T1-CW4-2804 WSRm-672.5H1-b2SF	T1-CW4-2805 WSLm-672.5H1-b1SF	T1-CW4-2806 WFe-1590H1-b2F	T1-CW4-2807 WFe-707.5H1-b1F	T1-CW4-2808 WSRb-672.5H1-c2
27F	T1-CW4-2701 WSLa-672.5H1-c1	T1-CW4-2702 WFe-707.5H1-b2	T1-CW4-2703 WFe-1690H1-b1	T1-CW4-2704 WSRm-672.5H1-b2S	T1-CW4-2705 WSLm-672.5H1-b1S	T1-CW4-2706 WFe-1590H1-b2	T1-CW4-2707 WFe-707.5H1-b1	T1-CW4-2708 WSRb-672.5H1-c2
26F	T1-CW4-2601 WSLa-672.5H1-c1	T1-CW4-2602 WFe-707.5H1-b2F	T1-CW4-2603 WFe-1690H1-b1F	T1-CW4-2604 WSRm-672.5H1-b2SF	T1-CW4-2605 WSLm-672.5H1-b1SF	T1-CW4-2606 WFe-1590H1-b2F	T1-CW4-2607 WFe-707.5H1-b1F	T1-CW4-2608 WSRb-672.5H1-c2
25F	T1-CW4-2501 WSLa-672.5H1-c1	T1-CW4-2502 WFe-707.5H1-b2	T1-CW4-2503 WFe-1690H1-b1	T1-CW4-2504 WSRm-672.5H1-b2S	T1-CW4-2505 WSLm-672.5H1-b1S	T1-CW4-2506 WFe-1590H1-b2	T1-CW4-2507 WFe-707.5H1-b1	T1-CW4-2508 WSRb-672.5H1-c2
23F	T1-CW4-2301 WSLa-672.5H1-c1	T1-CW4-2302 WFe-707.5H1-b2F	T1-CW4-2303 WFe-1690H1-b1F	T1-CW4-2304 WSRm-672.5H1-b2SF	T1-CW4-2305 WSLm-672.5H1-b1SF	T1-CW4-2306 WFe-1590H1-b2F	T1-CW4-2307 WFe-707.5H1-b1F	T1-CW4-2308 WSRb-672.5H1-c2
22F	T1-CW4-2201 WSLa-672.5H1-c1	T1-CW4-2202 WFe-707.5H1-b2S	T1-CW4-2203 WFe-1690H1-b1S	T1-CW4-2204 WSRm-672.5H1-b2S	T1-CW4-2205 WSLm-672.5H1-b1S	T1-CW4-2206 WFe-1590H1-b2S	T1-CW4-2207 WFe-707.5H1-b1S	T1-CW4-2208 WSRb-672.5H1-c2
21F	T1-CW4-2101 WSLa-672.5H1-c1	T1-CW4-2102 WFe-707.5H1-b2F	T1-CW4-2103 WFe-1690H1-b1F	T1-CW4-2104 WSRm-672.5H1-b2SF	T1-CW4-2105 WSLm-672.5H1-b1SF	T1-CW4-2106 WFe-1590H1-b2F	T1-CW4-2107 WFe-707.5H1-b1F	T1-CW4-2108 WSRb-672.5H1-c2
20F	T1-CW4-2001 WSLa-672.5H1-c1	T1-CW4-2002 WFe-707.5H1-b2	T1-CW4-2003 WFe-1690H1-b1	T1-CW4-2004 WSRm-672.5H1-b2S	T1-CW4-2005 WSLm-672.5H1-b1S	T1-CW4-2006 WFe-1590H1-b2	T1-CW4-2007 WFe-707.5H1-b1	T1-CW4-2008 WSRb-672.5H1-c2
19F	T1-CW4-1901 WSLa-672.5H1-c1	T1-CW4-1902 WFe-707.5H1-b2F	T1-CW4-1903 WFe-1690H1-b1F	T1-CW4-1904 WSRm-672.5H1-b2SF	T1-CW4-1905 WSLm-672.5H1-b1SF	T1-CW4-1906 WFe-1590H1-b2F	T1-CW4-1907 WFe-707.5H1-b1F	T1-CW4-1908 WSRb-672.5H1-c2
18F	T1-CW4-1801 WSLa-672.5H1-c1	T1-CW4-1802 WFe-707.5H1-b2	T1-CW4-1803 WFe-1690H1-b1	T1-CW4-1804 WSRm-672.5H1-b2S	T1-CW4-1805 WSLm-672.5H1-b1S	T1-CW4-1806 WFe-1590H1-b2	T1-CW4-1807 WFe-707.5H1-b1	T1-CW4-1808 WSRb-672.5H1-c2
17F	T1-CW4-1701 GWSLa-672.5H1-c1	T1-CW4-1702 GWFe-707.5H1-b2F	T1-CW4-1703 GWFe-1690H1-b1F	T1-CW4-1704 GWSRm-672.5H1-b2SF	T1-CW4-1705 GWSLm-672.5H1-b1SF	T1-CW4-1706 GWFe-1590H1-b2F	T1-CW4-1707 GWFe-707.5H1-b1F	T1-CW4-1708 GWSRb-672.5H1-c2
16F	T1-CW4-1601 GSLa-672.5H1-c1	T1-CW4-1602 GFe-707.5H1-b2S	T1-CW4-1603 GFe-1690H1-b1S	T1-CW4-1604 GSRm-672.5H1-b2S	T1-CW4-1605 GSLm-672.5H1-b1S	T1-CW4-1606 GFe-1590H1-b2S	T1-CW4-1607 GFe-707.5H1-b1S	T1-CW4-1608 GSRb-672.5H1-c2
15F	T1-CW4-1501 GSLa-672.5H2-c1	T1-CW4-1502 GFe-707.5H2-b2	T1-CW4-1503 GFe-1690H2-b1	T1-CW4-1504 GSRm-672.5H2-b2S	T1-CW4-1505 GSLm-672.5H2-b1S	T1-CW4-1506 GFe-1590H2-b2	T1-CW4-1507 GFe-707.5H2-b1	T1-CW4-1508 GSRb-672.5H2-c2
12F	T1-CW4-1201 GSLa-672.5H1-c1	T1-CW4-1202 GFe-707.5H1-b2	T1-CW4-1203 GFe-1690H1-b1	T1-CW4-1204 GSRm-672.5H1-b2S	T1-CW4-1205 GSLm-672.5H1-b1S	T1-CW4-1206 GFe-1590H1-b2	T1-CW4-1207 GFe-707.5H1-b1	T1-CW4-1208 GSRb-672.5H1-c2
11F	T1-CW4-1101 GSLa-672.5H2-c1	T1-CW4-1102 GFe-707.5H2-b2	T1-CW4-1103 GFe-1690H2-b1	T1-CW4-1104 GSRm-672.5H2-b2S	T1-CW4-1105 GSLm-672.5H2-b1S	T1-CW4-1106 GFe-1590H2-b2	T1-CW4-1107 GFe-707.5H2-b1	T1-CW4-1108 GSRb-672.5H2-c2
10F	T1-CW4-1001 GSLa-672.5H1-c1	T1-CW4-1002 GFe-707.5H1-b2	T1-CW4-1003 GFe-1690H1-b1	T1-CW4-1004 GSRm-672.5H1-b2S	T1-CW4-1005 GSLm-672.5H1-b1S	T1-CW4-1006 GFe-1590H1-b2	T1-CW4-1007 GFe-707.5H1-b1	T1-CW4-1008 GSRb-672.5H1-c2
9F	T1-CW4-0901 GSLa-672.5H2-c1	T1-CW4-0902 GFe-707.5H2-b2	T1-CW4-0903 GFe-1690H2-b1	T1-CW4-0904 GSRm-672.5H2-b2S	T1-CW4-0905 GSLm-672.5H2-b1S	T1-CW4-0906 GFe-1590H2-b2	T1-CW4-0907 GFe-707.5H2-b1	T1-CW4-0908 GSRb-672.5H2-c2
8F	T1-CW4-0801 GSLa-672.5H1-c1	T1-CW4-0802 GFe-707.5H1-b2	T1-CW4-0803 GFe-1690H1-b1	T1-CW4-0804 GSRm-672.5H1-b2S	T1-CW4-0805 GSLm-672.5H1-b1S	T1-CW4-0806 GFe-1590H1-b2	T1-CW4-0807 GFe-707.5H1-b1	T1-CW4-0808 GSRb-672.5H1-c2
7F	T1-CW4-0701 GSLa-672.5H2-c1	T1-CW4-0702 GFe-707.5H2-b2	T1-CW4-0703 GFe-1690H2-b1	T1-CW4-0704 GSRm-672.5H2-b2S	T1-CW4-0705 GSLm-672.5H2-b1S	T1-CW4-0706 GFe-1590H2-b2	T1-CW4-0707 GFe-707.5H2-b1	T1-CW4-0708 GSRb-672.5H2-c2
6F	T1-CW4-0601 GSLa-672.5H1-c1	T1-CW4-0602 GFe-707.5H1-b2	T1-CW4-0603 GFe-1690H1-b1	T1-CW4-0604 GSRm-672.5H1-b2S	T1-CW4-0605 GSLm-672.5H1-b1S	T1-CW4-0606 GFe-1590H1-b2	T1-CW4-0607 GFe-707.5H1-b1	T1-CW4-0608 GSRb-672.5H1-c2
5F	T1-CW4-0501 GSLa-672.5H2-c1	T1-CW4-0502 GFe-707.5H2-b2	T1-CW4-0503 GFe-1690H2-b1	T1-CW4-0504 GSRm-672.5H2-b2S	T1-CW4-0505 GSLm-672.5H2-b1S	T1-CW4-0506 GFe-1590H2-b2	T1-CW4-0507 GFe-707.5H2-b1	T1-CW4-0508 GSRb-672.5H2-c2
3F	T1-CW4-0301 GSLa-672.5H1-c1	T1-CW4-0302 GFe-707.5H1-b2	T1-CW4-0303 GFe-1690H1-b1	T1-CW4-0304 GSRm-672.5H1-b2S	T1-CW4-0305 GSLm-672.5H1-b1S	T1-CW4-0306 GFe-1590H1-b2	T1-CW4-0307 GFe-707.5H1-b1	T1-CW4-0308 GSRb-672.5H1-c2
2F	T1-CW4-0201 GSLa-672.5H2-c1	T1-CW4-0202 GFe-707.5H2-b2	T1-CW4-0203 GFe-1690H2-b1	T1-CW4-0204 GSRm-672.5H2-b2S	T1-CW4-0205 GSLm-672.5H2-b1S	T1-CW4-0206 GFe-1590H2-b2	T1-CW4-0207 GFe-707.5H2-b1	T1-CW4-0208 GSRb-672.5H2-c2
1F	T1-CW4-0101 GSLa-672.5H1-c1	T1-CW4-0102 GFe-707.5H1-b2	T1-CW4-0103 GFe-1690H1-b1	T1-CW4-0104 GSRm-672.5H1-b2S	T1-CW4-0105 GSLm-672.5H1-b1S	T1-CW4-0106 GFe-1590H1-b2	T1-CW4-0107 GFe-707.5H1-b1	T1-CW4-0108 GSRb-672.5H1-c2

36F (Roof)	T1-CW3-3601 WFC-1920Hy	T1-CW3-3602 WFD-622.5Hy	T1-CW3-3603 GFC-662.5Hx	T1-CW3-3604 GFD-1980Hx
35F	T1-CW3-3501 WFC-1920H9-c1	T1-CW3-3502 WSRb-622.5H9a-c2	T1-CW3-3503 GSLa-662.5H9a-c1	T1-CW3-3504 GFD-1980H9-c2
33F	T1-CW3-3301 WFC-1920H9-L	T1-CW3-3302 WSRb-622.5H9-c2	T1-CW3-3303 GSLa-662.5H9-c1b2	T1-CW3-3304 GFD-1980H9-b1c2
32F		T1-CW3-3202 WSRk-622.5H9-c1b2	T1-CW3-3203 GSLk-662.5H9-b1c2	
31F		T1-CW3-3102 WSRk-622.5H1-c1b2	T1-CW3-3103 GSLk-662.5H1-b1c2	
30F		T1-CW3-3002 WSRk-622.5H1-c1b2	T1-CW3-3003 GSLk-662.5H1-b1c2	
29F		T1-CW3-2902 WSRk-622.5H1-c1b2	T1-CW3-2903 GSLk-662.5H1-b1c2	
28F		T1-CW3-2802 WSRk-622.5H1-c1b2	T1-CW3-2803 GSLk-662.5H1-b1c2	
27F		T1-CW3-2702 WSRk-622.5H1-c1b2	T1-CW3-2703 GSLk-662.5H1-b1c2	
26F		T1-CW3-2602 WSRk-622.5H1-c1b2	T1-CW3-2603 GSLk-662.5H1-b1c2	
25F		T1-CW3-2502 WSRk-622.5H1-c1b2	T1-CW3-2503 GSLk-662.5H1-b1c2	
23F		T1-CW3-2302 WSRk-622.5H1-c1b2	T1-CW3-2303 GSLk-662.5H1-b1c2	
22F		T1-CW3-2202 WSRk-622.5H1-c1b2	T1-CW3-2203 GSLk-662.5H1-b1c2	
21F		T1-CW3-2102 WSRk-622.5H1-c1b2	T1-CW3-2103 GSLk-662.5H1-b1c2	
20F		T1-CW3-2002 WSRk-622.5H1-c1b2	T1-CW3-2003 GSLk-662.5H1-b1c2	
19F		T1-CW3-1902 WSRk-622.5H1-c1b2	T1-CW3-1903 GSLk-662.5H1-b1c2	
18F		T1-CW3-1802 WSRk-622.5H1-c1b2	T1-CW3-1803 GSLk-662.5H1-b1c2	
17F		T1-CW3-1702 GWSRk-622.5H1-c1b2	T1-CW3-1703 WGSLk-662.5H1-b1c2	
16F		T1-CW3-1602 GSRk-622.5H1-c1b2	T1-CW3-1603 WSLk-662.5H1-b1c2	
15F		T1-CW3-1502 GSRk-622.5H1-c1b2	T1-CW3-1503 WSLk-662.5H1-b1c2	
12F		T1-CW3-1202 GSRk-622.5H1-c1b2	T1-CW3-1203 WSLk-662.5H1-b1c2	
11F		T1-CW3-1102 GSRk-622.5H1-c1b2	T1-CW3-1103 WSLk-662.5H1-b1c2	
10F		T1-CW3-1002 GSRk-622.5H1-c1b2	T1-CW3-1003 WSLk-662.5H1-b1c2	
9F		T1-CW3-0902 GSRk-622.5H1-c1b2	T1-CW3-0903 WSLk-662.5H1-b1c2	
8F		T1-CW3-0802 GSRk-622.5H1-c1b2	T1-CW3-0803 WSLk-662.5H1-b1c2	
7F		T1-CW3-0702 GSRk-622.5H1-c1b2	T1-CW3-0703 WSLk-662.5H1-b1c2	
6F		T1-CW3-0602 GSRk-622.5H1-c1b2	T1-CW3-0603 WSLk-662.5H1-b1c2	
5F		T1-CW3-0502 GSRk-622.5H1-c1b2	T1-CW3-0503 WSLk-662.5H1-b1c2	
3F		T1-CW3-0302 GSRk-622.5H1-c1b2	T1-CW3-0303 WSLk-662.5H1-b1c2	
2F		T1-CW3-0202 GSRk-622.5H1-c1b2	T1-CW3-0203 WSLk-662.5H1-b1c2	
1F		T1-CW3-0102 GSRk-622.5H7-c1b2	T1-CW3-0103 WSLk-662.5H7-b1c2	

J851单元幕墙单元件派位图(5)

T2-CW3R

36F (Roof)	T2-CW3R-3601 Wfc-1980Hv	T2-CW3R-3602 Wfd-662.5Hv	T2-CW3R-3603 Gfc-622.5Hx	T2-CW3R-3604 Gfd-1920Hx
35F	T2-CW3R-3501 Wfc-1980H9-c1	T2-CW3R-3502 WSRb-662.5H9a-c2	T2-CW3R-3503 GSLa-622.5H9a-c1	T2-CW3R-3504 Gfd-1920H9-c2
33F	T2-CW3R-3301 Wfc-1980H9-c1b2	T2-CW3R-3302 WSRb-662.5H9-b1c2	T2-CW3R-3303 GSLa-622.5H9-c1	T2-CW3R-3304 Gfd-1920H9-L
32F		T2-CW3R-3202 WSRk-662.5H9-c1b2	T2-CW3R-3203 GSLk-622.5H9-b1c2	
31F		T2-CW3R-3102 WSRk-662.5H1-c1b2	T2-CW3R-3103 GSLk-622.5H1-b1c2	
30F		T2-CW3R-3002 WSRk-662.5H1-c1b2	T2-CW3R-3003 GSLk-622.5H1-b1c2	
29F		T2-CW3R-2902 WSRk-662.5H1-c1b2	T2-CW3R-2903 GSLk-622.5H1-b1c2	
28F		T2-CW3R-2802 WSRk-662.5H1-c1b2	T2-CW3R-2803 GSLk-622.5H1-b1c2	
27F		T2-CW3R-2702 WSRk-662.5H1-c1b2	T2-CW3R-2703 GSLk-622.5H1-b1c2	
26F		T2-CW3R-2602 WSRk-662.5H1-c1b2	T2-CW3R-2603 GSLk-622.5H1-b1c2	
25F		T2-CW3R-2502 WSRk-662.5H1-c1b2	T2-CW3R-2503 GSLk-622.5H1-b1c2	
23F		T2-CW3R-2302 WSRk-662.5H1-c1b2	T2-CW3R-2303 GSLk-622.5H1-b1c2	
22F		T2-CW3R-2202 WSRk-662.5H1-c1b2	T2-CW3R-2203 GSLk-622.5H1-b1c2	
21F		T2-CW3R-2102 WSRk-662.5H1-c1b2	T2-CW3R-2103 GSLk-622.5H1-b1c2	
20F		T2-CW3R-2002 WSRk-662.5H1-c1b2	T2-CW3R-2003 GSLk-622.5H1-b1c2	
19F		T2-CW3R-1902 WSRk-662.5H1-c1b2	T2-CW3R-1903 GSLk-622.5H1-b1c2	
18F		T2-CW3R-1802 WSRk-662.5H1-c1b2	T2-CW3R-1803 GSLk-622.5H1-b1c2	
17F		T2-CW3R-1702 GWSRk-662.5H1-c1b2	T2-CW3R-1703 WGS�k-622.5H1-b1c2	
16F		T2-CW3R-1602 GSRk-662.5H1-c1b2	T2-CW3R-1603 WSLk-622.5H1-b1c2	
15F		T2-CW3R-1502 GSRk-662.5H1-c1b2	T2-CW3R-1503 WSLk-622.5H1-b1c2	
12F		T2-CW3R-1202 GSRk-662.5H1-c1b2	T2-CW3R-1203 WSLk-622.5H1-b1c2	
11F		T2-CW3R-1102 GSRk-662.5H1-c1b2	T2-CW3R-1103 WSLk-622.5H1-b1c2	
10F		T2-CW3R-1002 GSRk-662.5H1-c1b2	T2-CW3R-1003 WSLk-622.5H1-b1c2	
9F		T2-CW3R-0902 GSRk-662.5H1-c1b2	T2-CW3R-0903 WSLk-622.5H1-b1c2	
8F		T2-CW4R-0802 GSRk-662.5H1-c1b2	T2-CW3R-0803 WSLk-622.5H1-b1c2	
7F		T2-CW3R-0702 GSRk-662.5H1-c1b2	T2-CW3R-0703 WSLk-622.5H1-b1c2	
6F		T2-CW3R-0602 GSRk-662.5H1-c1b2	T2-CW3R-0603 WSLk-622.5H1-b1c2	
5F		T2-CW3R-0502 GSRk-662.5H1-c1b2	T2-CW3R-0503 WSLk-622.5H1-b1c2	
3F		T2-CW3R-0302 GSRk-662.5H1-c1b2	T2-CW3R-0303 WSLk-622.5H1-b1c2	
2F		T2-CW3R-0202 GSRk-662.5H1-c1b2	T2-CW3R-0203 WSLk-622.5H1-b1c2	
1F		T2-CW3R-0102 GSRk-662.5H7-c1b2	T2-CW3R-0103 WSLk-622.5H7-b1c2	

T2-CW4R

36F (Roof)	T2-CW4R-3601 Gfc-672.5Hx	T2-CW4R-3602 Gfe-707.5Hx	T2-CW4R-3603 Gfe-1590Hx	T2-CW4R-3604 Gfe-672.5Hx	T2-CW4R-3605 Gfe-672.5Hx	T2-CW4R-3606 Gfe-1690Hx	T2-CW4R-3607 Gfe-707.5Hx	T2-CW4R-3608 Gfd-672.5Hx
35F	T2-CW4R-3501 GSLa-672.5H9a-c1	T2-CW4R-3502 Gfe-707.5H9	T2-CW4R-3503 Gfe-1590H9	T2-CW4R-3504 GSRm-672.5H9a-b2S	T2-CW4R-3505 GSLm-672.5H9a-b1S	T2-CW4R-3506 Gfe-1690H9	T2-CW4R-3507 Gfe-707.5H9	T2-CW4R-3508 GSRb-672.5H9a-c2
33F	T2-CW4R-3301 GSLa-672.5H9-c1	T2-CW4R-3302 Gfe-707.5H9	T2-CW4R-3303 Gfe-1590H9	T2-CW4R-3304 GSRm-672.5H9-b2S	T2-CW4R-3305 GSLm-672.5H9-b1S	T2-CW4R-3306 Gfe-1690H9	T2-CW4R-3307 Gfe-707.5H9	T2-CW4R-3308 GSRb-672.5H9-c2
32F	T2-CW4R-3201 GSLa-672.5Hvc-c1F	T2-CW4R-3202 Gfe-707.5Hvc-b2F	T2-CW4R-3203 Gfe-1590Hvc-b1F	T2-CW4R-3204 GSRm-672.5Hvc-b2SF	T2-CW4R-3205 GSLm-672.5Hvc-b1SF	T2-CW4R-3206 Gfe-1690Hvc-b2F	T2-CW4R-3207 Gfe-707.5Hvc-b1F	T2-CW4R-3208 GSRb-672.5Hvc-c2F
31F	T2-CW4R-3101 GSLa-672.5H1-c1	T2-CW4R-3102 Gfe-707.5H1-b2	T2-CW4R-3103 Gfe-1590H1-b1	T2-CW4R-3104 GSRm-672.5H1-b2S	T2-CW4R-3105 GSLm-672.5H1-b1S	T2-CW4R-3106 Gfe-1690H1-b2	T2-CW4R-3107 Gfe-707.5H1-b1	T2-CW4R-3108 GSRb-672.5H1-c2
30F	T2-CW4R-3001 GSLa-672.5H2-c1	T2-CW4R-3002 Gfe-707.5H2-b2	T2-CW4R-3003 Gfe-1590H2-b1	T2-CW4R-3004 GSRm-672.5H2-b2S	T2-CW4R-3005 GSLm-672.5H2-b1S	T2-CW4R-3006 Gfe-1690H2-b2	T2-CW4R-3007 Gfe-707.5H2-b1	T2-CW4R-3008 GSRb-672.5H2-c2
29F	T2-CW4R-2901 GSLa-672.5H1-c1	T2-CW4R-2902 Gfe-707.5H1-b2S	T2-CW4R-2903 Gfe-1590H1-b1S	T2-CW4R-2904 GSRm-672.5H1-b2S	T2-CW4R-2905 GSLm-672.5H1-b1S	T2-CW4R-2906 Gfe-1690H1-b2S	T2-CW4R-2907 Gfe-707.5H1-b1S	T2-CW4R-2908 GSRb-672.5H1-c2
28F	T2-CW4R-2801 GSLa-672.5H2-c1	T2-CW4R-2802 Gfe-707.5H2-b2	T2-CW4R-2803 Gfe-1590H2-b1	T2-CW4R-2804 GSRm-672.5H2-b2S	T2-CW4R-2805 GSLm-672.5H2-b1S	T2-CW4R-2806 Gfe-1690H2-b2	T2-CW4R-2807 Gfe-707.5H2-b1	T2-CW4R-2808 GSRb-672.5H2-c2
27F	T2-CW4R-2701 GSLa-672.5H1-c1	T2-CW4R-2702 Gfe-707.5H1-b2	T2-CW4R-2703 Gfe-1590H1-b1	T2-CW4R-2704 GSRm-672.5H1-b2S	T2-CW4R-2705 GSLm-672.5H1-b1S	T2-CW4R-2706 Gfe-1690H1-b2	T2-CW4R-2707 Gfe-707.5H1-b1	T2-CW4R-2708 GSRb-672.5H1-c2
26F	T2-CW4R-2601 GSLa-672.5H2-c1	T2-CW4R-2602 Gfe-707.5H2-b2	T2-CW4R-2603 Gfe-1590H2-b1	T2-CW4R-2604 GSRm-672.5H2-b2S	T2-CW4R-2605 GSLm-672.5H2-b1S	T2-CW4R-2606 Gfe-1690H2-b2	T2-CW4R-2607 Gfe-707.5H2-b1	T2-CW4R-2608 GSRb-672.5H2-c2
25F	T2-CW4R-2501 GSLa-672.5H1-c1	T2-CW4R-2502 Gfe-707.5H1-b2	T2-CW4R-2503 Gfe-1590H1-b1	T2-CW4R-2504 GSRm-672.5H1-b2S	T2-CW4R-2505 GSLm-672.5H1-b1S	T2-CW4R-2506 Gfe-1690H1-b2	T2-CW4R-2507 Gfe-707.5H1-b1	T2-CW4R-2508 GSRb-672.5H1-c2
23F	T2-CW4R-2301 GSLa-672.5H2-c1	T2-CW4R-2302 Gfe-707.5H2-b2	T2-CW4R-2303 Gfe-1590H2-b1	T2-CW4R-2304 GSRm-672.5H2-b2S	T2-CW4R-2305 GSLm-672.5H2-b1S	T2-CW4R-2306 Gfe-1690H2-b2	T2-CW4R-2307 Gfe-707.5H2-b1	T2-CW4R-2308 GSRb-672.5H2-c2
22F	T2-CW4R-2201 GSLa-672.5H1-c1	T2-CW4R-2202 Gfe-707.5H1-b2S	T2-CW4R-2203 Gfe-1590H1-b1S	T2-CW4R-2204 GSRm-672.5H1-b2S	T2-CW4R-2205 GSLm-672.5H1-b1S	T2-CW4R-2206 Gfe-1690H1-b2S	T2-CW4R-2207 Gfe-707.5H1-b1S	T2-CW4R-2208 GSRb-672.5H1-c2
21F	T2-CW4R-2101 GSLa-672.5H2-c1	T2-CW4R-2102 Gfe-707.5H2-b2	T2-CW4R-2103 Gfe-1590H2-b1	T2-CW4R-2104 GSRm-672.5H2-b2S	T2-CW4R-2105 GSLm-672.5H2-b1S	T2-CW4R-2106 Gfe-1690H2-b2	T2-CW4R-2107 Gfe-707.5H2-b1	T2-CW4R-2108 GSRb-672.5H2-c2
20F	T2-CW4R-2001 GSLa-672.5H1-c1	T2-CW4R-2002 Gfe-707.5H1-b2	T2-CW4R-2003 Gfe-1590H1-b1	T2-CW4R-2004 GSRm-672.5H1-b2S	T2-CW4R-2005 GSLm-672.5H1-b1S	T2-CW4R-2006 Gfe-1690H1-b2	T2-CW4R-2007 Gfe-707.5H1-b1	T2-CW4R-2008 GSRb-672.5H1-c2
19F	T2-CW4R-1901 GSLa-672.5H2-c1	T2-CW4R-1902 Gfe-707.5H2-b2	T2-CW4R-1903 Gfe-1590H2-b1	T2-CW4R-1904 GSRm-672.5H2-b2S	T2-CW4R-1905 GSLm-672.5H2-b1S	T2-CW4R-1906 Gfe-1690H2-b2	T2-CW4R-1907 Gfe-707.5H2-b1	T2-CW4R-1908 GSRb-672.5H2-c2
18F	T2-CW4R-1801 GSLa-672.5H1-c1	T2-CW4R-1802 Gfe-707.5H1-b2	T2-CW4R-1803 Gfe-1590H1-b1	T2-CW4R-1804 GSRm-672.5H1-b2S	T2-CW4R-1805 GSLm-672.5H1-b1S	T2-CW4R-1806 Gfe-1690H1-b2	T2-CW4R-1807 Gfe-707.5H1-b1	T2-CW4R-1808 GSRb-672.5H1-c2
17F	T2-CW4R-1701 WGS�a-672.5H2-c1	T2-CW4R-1702 WGfe-707.5H2-b2	T2-CW4R-1703 WGfe-1590H2-b1	T2-CW4R-1704 WGSRm-672.5H2-b2S	T2-CW4R-1705 WGS�m-672.5H2-b1S	T2-CW4R-1706 WGfe-1690H2-b2	T2-CW4R-1707 WGfe-707.5H2-b1	T2-CW4R-1708 WGSRb-672.5H2-c2
16F	T2-CW4R-1601 WSLa-672.5H1-c1	T2-CW4R-1602 Wfe-707.5H1-b2S	T2-CW4R-1603 Wfe-1590H1-b1S	T2-CW4R-1604 WSRm-672.5H1-b2S	T2-CW4R-1605 WSLm-672.5H1-b1S	T2-CW4R-1606 Wfe-1690H1-b2S	T2-CW4R-1607 Wfe-707.5H1-b1S	T2-CW4R-1608 WSRb-672.5H1-c2
15F	T2-CW4R-1501 WSLa-672.5H1-c1	T2-CW4R-1502 Wfe-707.5H1-b2F	T2-CW4R-1503 Wfe-1590H1-b1F	T2-CW4R-1504 WSRm-672.5H1-b2SF	T2-CW4R-1505 WSLm-672.5H1-b1SF	T2-CW4R-1506 Wfe-1690H1-b2F	T2-CW4R-1507 Wfe-707.5H1-b1F	T2-CW4R-1508 WSRb-672.5H1-c2
12F	T2-CW4R-1201 WSLa-672.5H1-c1	T2-CW4R-1202 Wfe-707.5H1-b2	T2-CW4R-1203 Wfe-1590H1-b1	T2-CW4R-1204 WSRm-672.5H1-b2S	T2-CW4R-1205 WSLm-672.5H1-b1S	T2-CW4R-1206 Wfe-1690H1-b2	T2-CW4R-1207 Wfe-707.5H1-b1	T2-CW4R-1208 WSRb-672.5H1-c2
11F	T2-CW4R-1101 WSLa-672.5H1-c1	T2-CW4R-1102 Wfe-707.5H1-b2F	T2-CW4R-1103 Wfe-1590H1-b1F	T2-CW4R-1104 WSRm-672.5H1-b2SF	T2-CW4R-1105 WSLm-672.5H1-b1SF	T2-CW4R-1106 Wfe-1690H1-b2F	T2-CW4R-1107 Wfe-707.5H1-b1F	T2-CW4R-1108 WSRb-672.5H1-c2
10F	T2-CW4R-1001 WSLa-672.5H1-c1	T2-CW4R-1002 Wfe-707.5H1-b2	T2-CW4R-1003 Wfe-1590H1-b1	T2-CW4R-1004 WSRm-672.5H1-b2S	T2-CW4R-1005 WSLm-672.5H1-b1S	T2-CW4R-1006 Wfe-1690H1-b2	T2-CW4R-1007 Wfe-707.5H1-b1	T2-CW4R-1008 WSRb-672.5H1-c2
9F	T2-CW4R-0901 WSLa-672.5H1-c1	T2-CW4R-0902 Wfe-707.5H1-b2F	T2-CW4R-0903 Wfe-1590H1-b1F	T2-CW4R-0904 WSRm-672.5H1-b2SF	T2-CW4R-0905 WSLm-672.5H1-b1SF	T2-CW4R-0906 Wfe-1690H1-b2F	T2-CW4R-0907 Wfe-707.5H1-b1F	T2-CW4R-0908 WSRb-672.5H1-c2
8F	T2-CW4R-0801 WSLa-672.5H1-c1	T2-CW4R-0802 Wfe-707.5H1-b2	T2-CW4R-0803 Wfe-1590H1-b1	T2-CW4R-0804 WSRm-672.5H1-b2S	T2-CW4R-0805 WSLm-672.5H1-b1S	T2-CW4R-0806 Wfe-1690H1-b2	T2-CW4R-0807 Wfe-707.5H1-b1	T2-CW4R-0808 WSRb-672.5H1-c2
7F	T2-CW4R-0701 WSLa-672.5H1-c1	T2-CW4R-0702 Wfe-707.5H1-b2F	T2-CW4R-0703 Wfe-1590H1-b1F	T2-CW4R-0704 WSRm-672.5H1-b2SF	T2-CW4R-0705 WSLm-672.5H1-b1SF	T2-CW4R-0706 Wfe-1690H1-b2F	T2-CW4R-0707 Wfe-707.5H1-b1F	T2-CW4R-0708 WSRb-672.5H1-c2
6F	T2-CW4R-0601 WSLa-672.5H1-c1	T2-CW4R-0602 Wfe-707.5H1-b2	T2-CW4R-0603 Wfe-1590H1-b1	T2-CW4R-0604 WSRm-672.5H1-b2S	T2-CW4R-0605 WSLm-672.5H1-b1S	T2-CW4R-0606 Wfe-1690H1-b2	T2-CW4R-0607 Wfe-707.5H1-b1	T2-CW4R-0608 WSRb-672.5H1-c2
5F	T2-CW4R-0501 WSLa-672.5H1-c1	T2-CW4R-0502 Wfe-707.5H1-b2F	T2-CW4R-0503 Wfe-1590H1-b1F	T2-CW4R-0504 WSRm-672.5H1-b2SF	T2-CW4R-0505 WSLm-672.5H1-b1SF	T2-CW4R-0506 Wfe-1690H1-b2F	T2-CW4R-0507 Wfe-707.5H1-b1F	T2-CW4R-0508 WSRb-672.5H1-c2
3F	T2-CW4R-0301 WSLa-672.5H1-c1	T2-CW4R-0302 Wfe-707.5H1-b2	T2-CW4R-0303 Wfe-1590H1-b1	T2-CW4R-0304 WSRm-672.5H1-b2S	T2-CW4R-0305 WSLm-672.5H1-b1S	T2-CW4R-0306 Wfe-1690H1-b2	T2-CW4R-0307 Wfe-707.5H1-b1	T2-CW4R-0308 WSRb-672.5H1-c2
2F	T2-CW4R-0201 WSLa-672.5H1-c1	T2-CW4R-0202 Wfe-707.5H1-b2F	T2-CW4R-0203 Wfe-1590H1-b1F	T2-CW4R-0204 WSRm-672.5H1-b2SF	T2-CW4R-0205 WSLm-672.5H1-b1SF	T2-CW4R-0206 Wfe-1690H1-b2F	T2-CW4R-0207 Wfe-707.5H1-b1F	T2-CW4R-0208 WSRb-672.5H1-c2
1F	T2-CW4R-0101 WSLa-672.5H7-c1	T2-CW4R-0102 Wfe-707.5H7-b2	T2-CW4R-0103 Wfe-1590H7-b1	T2-CW4R-0104 WSRm-672.5H7-b2S	T2-CW4R-0105 WSLm-672.5H7-b1S	T2-CW4R-0106 Wfe-1690H7-b2	T2-CW4R-0107 Wfe-707.5H7-b1	T2-CW4R-0108 WSRb-672.5H7-c2

J851单元幕墙单元件派位图(6)

T2-CW5R

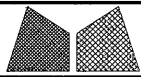
36F (Roof)	T2-CW5R-3601 GFc-1920Hx	T2-CW5R-3602 GFd-672.5Hx	T2-CW5R-3603 WFC-672.5Hv	T2-CW5R-3604 Wfd-2270Hv
35F	T2-CW5R-3501 GFc-1920H9-c1	T2-CW5R-3502 GSRb-672.5H9a-c2	T2-CW5R-3503 WSLa-672.5H9a-c1	T2-CW5R-3504 Wfd-2270H9-c2
33F	T2-CW5R-3301 GFc-1920H9-c1	T2-CW5R-3302 GSRb-672.5H9-c2	T2-CW5R-3303 WSLa-672.5H9-c1	T2-CW5R-3304 Wfd-2270H9-L
32F		T2-CW5R-3202 GSRk-672.5H9-c1b2	T2-CW5R-3203 WSLk-672.5H9-b1c2S	
31F		T2-CW5R-3102 GSRk-672.5H1-c1b2	T2-CW5R-3103 WSLk-672.5H1-b1c2	
30F		T2-CW5R-3002 GSRk-672.5H1-c1b2	T2-CW5R-3003 WSLk-672.5H1-b1c2	
29F		T2-CW5R-2902 GSRk-672.5H1-c1b2	T2-CW5R-2903 WSLk-672.5H1-b1c2	
28F		T2-CW5R-2802 GSRk-672.5H1-c1b2	T2-CW5R-2803 WSLk-672.5H1-b1c2	
27F		T2-CW5R-2702 GSRk-672.5H1-c1b2	T2-CW5R-2703 WSLk-672.5H1-b1c2	
26F		T2-CW5R-2602 GSRk-672.5H1-c1b2	T2-CW5R-2603 WSLk-672.5H1-b1c2	
25F		T2-CW5R-2502 GSRk-672.5H1-c1b2	T2-CW5R-2503 WSLk-672.5H1-b1c2	
23F		T2-CW5R-2302 GSRk-672.5H1-c1b2	T2-CW5R-2303 WSLk-672.5H1-b1c2	
22F		T2-CW5R-2202 GSRk-672.5H1-c1b2	T2-CW5R-2203 WSLk-672.5H1-b1c2	
21F		T2-CW5R-2102 GSRk-672.5H1-c1b2	T2-CW5R-2103 WSLk-672.5H1-b1c2	
20F		T2-CW5R-2002 GSRk-672.5H1-c1b2	T2-CW5R-2003 WSLk-672.5H1-b1c2	
19F		T2-CW5R-1902 GSRk-672.5H1-c1b2	T2-CW5R-1903 WSLk-672.5H1-b1c2	
18F		T2-CW5R-1802 GSRk-672.5H1-c1b2	T2-CW5R-1803 WSLk-672.5H1-b1c2	
17F		T2-CW5R-1702 WGSrk-672.5H1-c1b2	T2-CW5R-1703 GWSLk-672.5H1-b1c2	
16F		T2-CW5R-1602 WSrk-672.5H1-c1b2	T2-CW5R-1603 GSLk-672.5H1-b1c2	
15F		T2-CW5R-1502 WSrk-672.5H1-c1b2	T2-CW5R-1503 GSLk-672.5H1-b1c2	
12F		T2-CW5R-1202 WSrk-672.5H1-c1b2	T2-CW5R-1203 GSLk-672.5H1-b1c2	
11F		T2-CW5R-1102 WSrk-672.5H1-c1b2	T2-CW5R-1103 GSLk-672.5H1-b1c2	
10F		T2-CW5R-1002 WSrk-672.5H1-c1b2	T2-CW5R-1003 GSLk-672.5H1-b1c2	
9F		T2-CW5R-0902 WSrk-672.5H1-c1b2	T2-CW5R-0903 GSLk-672.5H1-b1c2	
8F		T2-CW5R-0802 WSrk-672.5H1-c1b2	T2-CW5R-0803 GSLk-672.5H1-b1c2	
7F		T2-CW5R-0702 WSrk-672.5H1-c1b2	T2-CW5R-0703 GSLk-672.5H1-b1c2	
6F		T2-CW5R-0602 WSrk-672.5H1-c1b2	T2-CW5R-0603 GSLk-672.5H1-b1c2	
5F		T2-CW5R-0502 WSrk-672.5H1-c1b2	T2-CW5R-0503 GSLk-672.5H1-b1c2	
3F		T2-CW5R-0302 WSrk-672.5H1-c1b2	T2-CW5R-0303 GSLk-672.5H1-b1c2	
2F		T2-CW5R-0202 WSrk-672.5H1-c1b2	T2-CW5R-0203 GSLk-672.5H1-b1c2	
1F		T2-CW5R-0102 WSrk-672.5H7-c1b2	T2-CW5R-0103 GSLk-672.5H7-b1c2	

T2-CW10

36F (Roof)	T2-CW10-3601 WFC-672.5Hv	T2-CW10-3602 WFe-607.5Hv	T2-CW10-3603 WFe-672.5Hv	T2-CW10-3604 WFe-1452.5Hv	T2-CW10-3605 WFe-807.5Hv	T2-CW10-3606 Wfd-672.5Hv
35F	T2-CW10-3501 WSLa-672.5H9a-c1	T2-CW10-3502 WFe-607.5H9	T2-CW10-3503 WSLm-672.5H9a	T2-CW10-3504 WFe-1452.5H9-b2	T2-CW10-3505 WFe-807.5H9-b1	T2-CW10-3506 WSRb-672.5H9a-c2
33F	T2-CW10-3301 WSLa-672.5H9-c1	T2-CW10-3302 WFe-607.5H9	T2-CW10-3303 WSLm-672.5H9	T2-CW10-3304 WFe-1452.5H9	T2-CW10-3305 WFe-807.5H9	T2-CW10-3306 WSRb-672.5H9-c2
32F		T2-CW10-3201 WSLa-672.5Hv-c1F	T2-CW10-3202 WFe-607.5Hv-b2F	T2-CW10-3203 WSLm-672.5Hv-b1F	T2-CW10-3204 WFe-1452.5Hv-b2F	T2-CW10-3205 WFe-807.5Hv-b1F
31F		T2-CW10-3101 WSLa-672.5H1-c1	T2-CW10-3102 WFe-607.5H1-b2	T2-CW10-3103 WSLm-672.5H1-b1	T2-CW10-3104 WFe-1452.5H1-b2	T2-CW10-3105 WFe-807.5H1-b1
30F		T2-CW10-3001 WSLa-672.5H1-c1	T2-CW10-3002 WFe-607.5H1-b2F	T2-CW10-3003 WSLm-672.5H1-b1F	T2-CW10-3004 WFe-1452.5H1-b2F	T2-CW10-3005 WFe-807.5H1-b1F
29F		T2-CW10-2901 WSLa-672.5H1-c1	T2-CW10-2902 WFe-607.5H1-b2S	T2-CW10-2903 WSLm-672.5H1-b1	T2-CW10-2904 WFe-1452.5H1-b2S	T2-CW10-2905 WFe-807.5H1-b1S
28F		T2-CW10-2801 WSLa-672.5H1-c1	T2-CW10-2802 WFe-607.5H1-b2F	T2-CW10-2803 WSLm-672.5H1-b1F	T2-CW10-2804 WFe-1452.5H1-b2F	T2-CW10-2805 WFe-807.5H1-b1F
27F		T2-CW10-2701 WSLa-672.5H1-c1	T2-CW10-2702 WFe-607.5H1-b2	T2-CW10-2703 WSLm-672.5H1-b1	T2-CW10-2704 WFe-1452.5H1-b2	T2-CW10-2705 WFe-807.5H1-b1
26F		T2-CW10-2601 WSLa-672.5H1-c1	T2-CW10-2602 WFe-607.5H1-b2F	T2-CW10-2603 WSLm-672.5H1-b1F	T2-CW10-2604 WFe-1452.5H1-b2F	T2-CW10-2605 WFe-807.5H1-b1F
25F		T2-CW10-2501 WSLa-672.5H1-c1	T2-CW10-2502 WFe-607.5H1-b2	T2-CW10-2503 WSLm-672.5H1-b1	T2-CW10-2504 WFe-1452.5H1-b2	T2-CW10-2505 WFe-807.5H1-b1
23F		T2-CW10-2301 WSLa-672.5H1-c1	T2-CW10-2302 WFe-607.5H1-b2F	T2-CW10-2303 WSLm-672.5H1-b1F	T2-CW10-2304 WFe-1452.5H1-b2F	T2-CW10-2305 WFe-807.5H1-b1F
22F		T2-CW10-2201 WSLa-672.5H1-c1	T2-CW10-2202 WFe-607.5H1-b2S	T2-CW10-2203 WSLm-672.5H1-b1	T2-CW10-2204 WFe-1452.5H1-b2S	T2-CW10-2205 WFe-807.5H1-b1S
21F		T2-CW10-2101 WSLa-672.5H1-c1	T2-CW10-2102 WFe-607.5H1-b2F	T2-CW10-2103 WSLm-672.5H1-b1F	T2-CW10-2104 WFe-1452.5H1-b2F	T2-CW10-2105 WFe-807.5H1-b1F
20F		T2-CW10-2001 WSLa-672.5H1-c1	T2-CW10-2002 WFe-607.5H1-b2	T2-CW10-2003 WSLm-672.5H1-b1	T2-CW10-2004 WFe-1452.5H1-b2	T2-CW10-2005 WFe-807.5H1-b1
19F		T2-CW10-1901 WSLa-672.5H1-c1	T2-CW10-1902 WFe-607.5H1-b2F	T2-CW10-1903 WSLm-672.5H1-b1F	T2-CW10-1904 WFe-1452.5H1-b2F	T2-CW10-1905 WFe-807.5H1-b1F
18F		T2-CW10-1801 WSLa-672.5H1-c1	T2-CW10-1802 WFe-607.5H1-b2	T2-CW10-1803 WSLm-672.5H1-b1	T2-CW10-1804 WFe-1452.5H1-b2	T2-CW10-1805 WFe-807.5H1-b1
17F		T2-CW10-1701 GWSLa-672.5H1-c1	T2-CW10-1702 GWFe-607.5H1-b2F	T2-CW10-1703 GWSLm-672.5H1-b1F	T2-CW10-1704 GWFe-1452.5H1-b2F	T2-CW10-1705 GWFe-807.5H1-b1F
16F		T2-CW10-1601 GSLa-672.5H1-c1	T2-CW10-1602 GFe-607.5H1-b2S	T2-CW10-1603 GSLm-672.5H1-b1	T2-CW10-1604 GFe-1452.5H1-b2S	T2-CW10-1605 GFe-807.5H1-b1S
15F		T2-CW10-1501 GSLa-672.5H2-c1	T2-CW10-1502 GFe-607.5H2-b2	T2-CW10-1503 GSLm-672.5H2-b1	T2-CW10-1504 GFe-1452.5H2-b2	T2-CW10-1505 GFe-807.5H2-b1
12F		T2-CW10-1201 GSLa-672.5H1-c1	T2-CW10-1202 GFe-607.5H1-b2	T2-CW10-1203 GSLm-672.5H1-b1	T2-CW10-1204 GFe-1452.5H1-b2	T2-CW10-1205 GFe-807.5H1-b1
11F		T2-CW10-1101 GSLa-672.5H2-c1	T2-CW10-1102 GFe-607.5H2-b2	T2-CW10-1103 GSLm-672.5H2-b1	T2-CW10-1104 GFe-1452.5H2-b2	T2-CW10-1105 GFe-807.5H2-b1
10F		T2-CW10-1001 GSLa-672.5H1-c1	T2-CW10-1002 GFe-607.5H1-b2	T2-CW10-1003 GSLm-672.5H1-b1	T2-CW10-1004 GFe-1452.5H1-b2	T2-CW10-1005 GFe-807.5H1-b1
9F		T2-CW10-0901 GSLa-672.5H2-c1	T2-CW10-0902 GFe-607.5H2-b2	T2-CW10-0903 GSLm-672.5H2-b1	T2-CW10-0904 GFe-1452.5H2-b2	T2-CW10-0905 GFe-807.5H2-b1
8F		T2-CW10-0801 GSLa-672.5H1-c1	T2-CW10-0802 GFe-607.5H1-b2	T2-CW10-0803 GSLm-672.5H1-b1	T2-CW10-0804 GFe-1452.5H1-b2	T2-CW10-0805 GFe-807.5H1-b1
7F		T2-CW10-0701 GSLa-672.5H2-c1	T2-CW10-0702 GFe-607.5H2-b2	T2-CW10-0703 GSLm-672.5H2-b1	T2-CW10-0704 GFe-1452.5H2-b2	T2-CW10-0705 GFe-807.5H2-b1
6F		T2-CW10-0601 GSLa-672.5H1-c1	T2-CW10-0602 GFe-607.5H1-b2	T2-CW10-0603 GSLm-672.5H1-b1	T2-CW10-0604 GFe-1452.5H1-b2	T2-CW10-0605 GFe-807.5H1-b1
5F		T2-CW10-0501 GSLa-672.5H2-c1	T2-CW10-0502 GFe-607.5H2-b2	T2-CW10-0503 GSLm-672.5H2-b1	T2-CW10-0504 GFe-1452.5H2-b2	T2-CW10-0505 GFe-807.5H2-b1
3F		T2-CW10-0301 GSLa-672.5H1-c1	T2-CW10-0302 GFe-607.5H1-b2	T2-CW10-0303 GSLm-672.5H1-b1	T2-CW10-0304 GFe-1452.5H1-b2	T2-CW10-0305 GFe-807.5H1-b1
2F		T2-CW10-0201 GSLa-672.5H2-c1	T2-CW10-0202 GFe-607.5H2-b2	T2-CW10-0203 GSLm-672.5H2-b1	T2-CW10-0204 GFe-1452.5H2-b2	T2-CW10-0205 GFe-807.5H2-b1
1F		T2-CW10-0101 GSLa-672.5H1-c1	T2-CW10-0102 GFe-607.5H1-b2	T2-CW10-0103 GSLm-672.5H1-b1	T2-CW10-0104 GFe-1452.5H1-b2	T2-CW10-0105 GFe-807.5H1-b1

T2-CW7R

36F (Roof)	T2-CW7R-3601 WFC-1425Hv	T2-CW7R-3602 WFq-1292.5Hv	T2-CW7R-3603 WFh-817.5Hv
35F	T2-CW7R-3501 WFC-1425H9-c1	T2-CW7R-3502 WFq-1292.5H9	T2-CW7R-3503 WSRj-817.5H9a-c2
33F	T2-CW7R-3301 WFC-1425H9-L	T2-CW7R-3302 WFq-1292.5H9	T2-CW7R-3303 WSRj-817.5H9-c2
32F		T2-CW7R-3202 WFf-1292.5H9-c1	T2-CW7R-3203 WSRj-817.5H9-c2
31F		T2-CW7R-3102 WFf-1292.5H1-c1	T2-CW7R-3103 WSRj-817.5H1-c2
30F		T2-CW7R-3002 WFf-1292.5H1-c1	T2-CW7R-3003 WSRj-817.5H1-c2
29F		T2-CW7R-2902 WFf-1292.5H1-c1S	T2-CW7R-2903 WSRj-817.5H1-c2
28F		T2-CW7R-2802 WFf-1292.5H1-c1	T2-CW7R-2803 WSRj-817.5H1-c2
27F		T2-CW7R-2702 WFf-1292.5H1-c1	T2-CW7R-2703 WSRj-817.5H1-c2
26F		T2-CW7R-2602 WFf-1292.5H1-c1	T2-CW7R-2603 WSRj-817.5H1-c2
25F		T2-CW7R-2502 WFf-1292.5H1-c1	T2-CW7R-2503 WSRj-817.5H1-c2
23F		T2-CW7R-2302 WFf-1292.5H1-c1	T2-CW7R-2303 WSRj-817.5H1-c2
22F		T2-CW7R-2202 WFf-1292.5H1-c1S	T2-CW7R-2203 WSRj-817.5H1-c2
21F		T2-CW7R-2102 WFf-1292.5H1-c1	T2-CW7R-2103 WSRj-817.5H1-c2
20F		T2-CW7R-2002 WFf-1292.5H1-c1	T2-CW7R-2003 WSRj-817.5H1-c2
19F		T2-CW7R-1902 WFf-1292.5H1-c1	T2-CW7R-1903 WSRj-817.5H1-c2
18F		T2-CW7R-1802 WFf-1292.5H1-c1	T2-CW7R-1803 WSRj-817.5H1-c2
17F		T2-CW7R-1702 GWFF-1292.5H1-c1	T2-CW7R-1703 GWSRj-817.5H1-c2
16F		T2-CW7R-1602 GFf-1292.5H1-c1S	T2-CW7R-1603 GSRj-817.5H1-c2
15F		T2-CW7R-1502 GFf-1292.5H1-c1	T2-CW7R-1503 GSRj-817.5H1-c2
12F		T2-CW7R-1202 GFf-1292.5H1-c1	T2-CW7R-1203 GSRj-817.5H1-c2
11F		T2-CW7R-1102 GFf-1292.5H1-c1	T2-CW7R-1103 GSRj-817.5H1-c2
10F		T2-CW7R-1002 GFf-1292.5H1-c1	T2-CW7R-1003 GSRj-817.5H1-c2
9F		T2-CW7R-0902 GFf-1292.5H1-c1	T2-CW7R-0903 GSRj-817.5H1-c2
8F		T2-CW7R-0802 GFf-1292.5H1-c1	T2-CW7R-0803 GSRj-817.5H1-c2
7F		T2-CW7R-0702 GFf-1292.5H1-c1	T2-CW7R-0703 GSRj-817.5H1-c2
6F		T2-CW7R-0602 GFf-1292.5H1-c1	T2-CW7R-0603 GSRj-817.5H1-c2
5F		T2-CW7R-0502 GFf-1292.5H1-c1	T2-CW7R-0503 GSRj-817.5H1-c2
3F		T2-CW7R-0302 GFf-1292.5H1-c1	T2-CW7R-0303 GSRj-817.5H1-c2
2F		T2-CW7R-0202 GFf-1292.5H1-c1	T2-CW7R-0203 GSRj-817.5H1-c2
1F		T2-CW7R-0102 GFf-1292.5H7-c1	T2-CW7R-0103 GSRj-817.5H7-c2

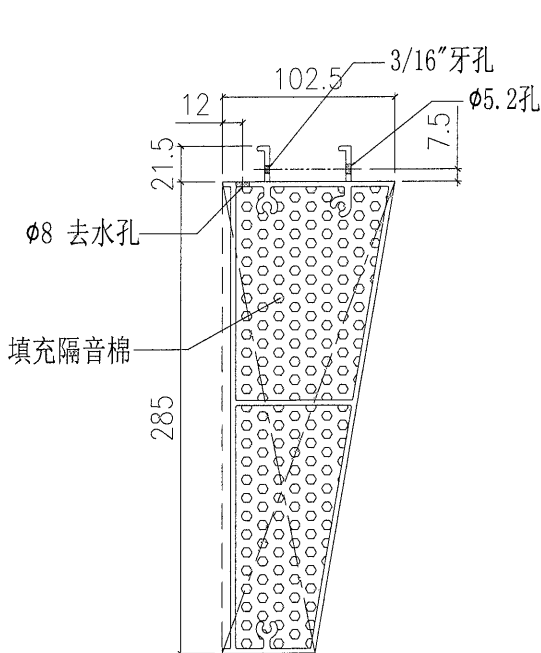
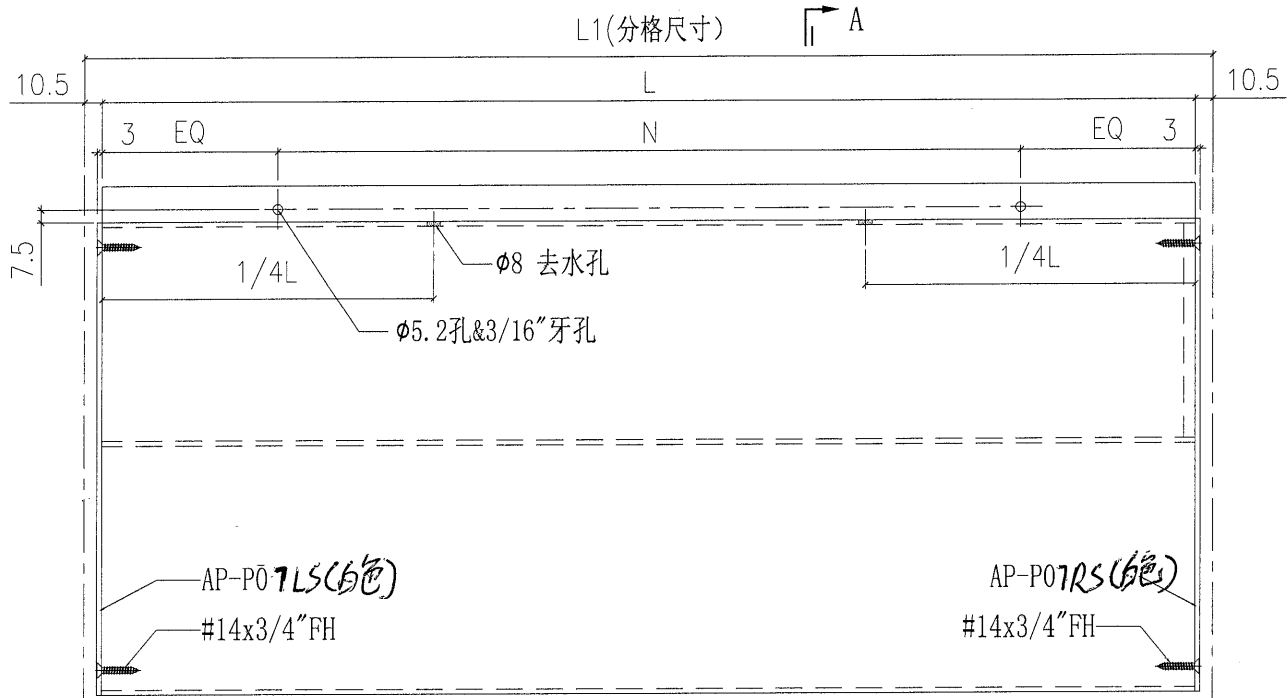


美特鋁質有限公司
MIDI Aluminium Fabricator Ltd.

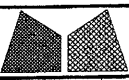
工程號	J851	類別		物料號	-		
地盤	青衣190	制圖	W. E. X	2020-06-15	圖號	X85738-01W	
修改		採用工廠	✓	地盤	-	圖紙名稱	鋁料加工圖
日期		材料顏色	Sandy Brown(沙褐色)	材料	X85738	復核	-
						批准	-
						數量	-
						單件重量	(KG)

白色

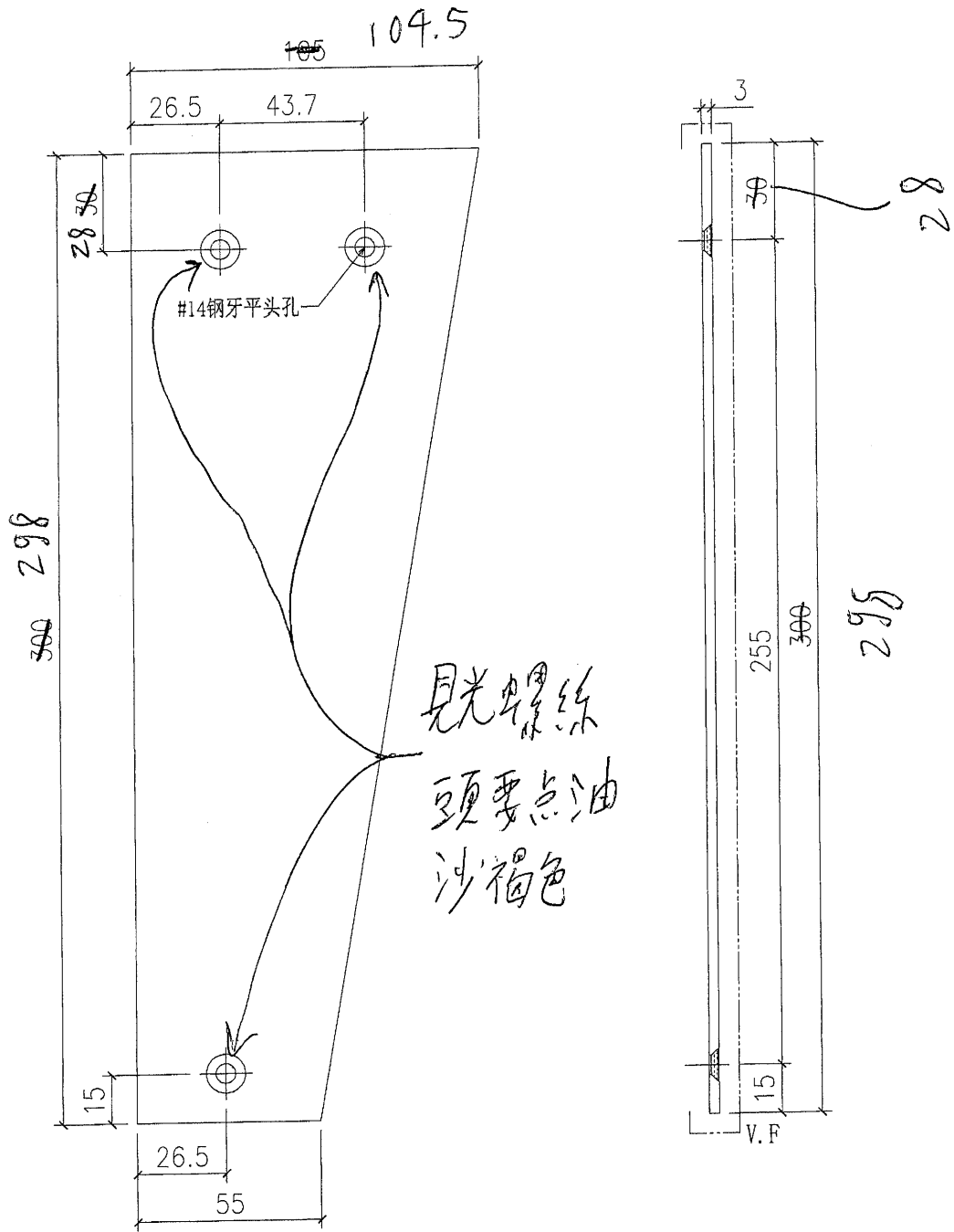
部件编号	L	L1	N
7支 → X85738-01-01W	786.5	807.5	2x300c/c
13支 → X85738-01-02W	1569	1590	5x275c/c
13支 → X85738-01-03W	1669	1690	5x300c/c
26支 → X85738-01-04W	686.5	707.5	2x250c/c
X85738-01-05S	486.5	507.5	1x300c/c
X85738-01-06S	986.5	1007.5	3x275c/c
7支 → X85738-01-07W	586.5	607.5	1x300c/c
7支 → X85738-01-08W	1431.5	1452.5	4x300c/c
33支 → X85738-01-09W	651.5	672.5	2x250c/c
X85738-01-10S	1579	1600	5x275c/c




SECTION A-A

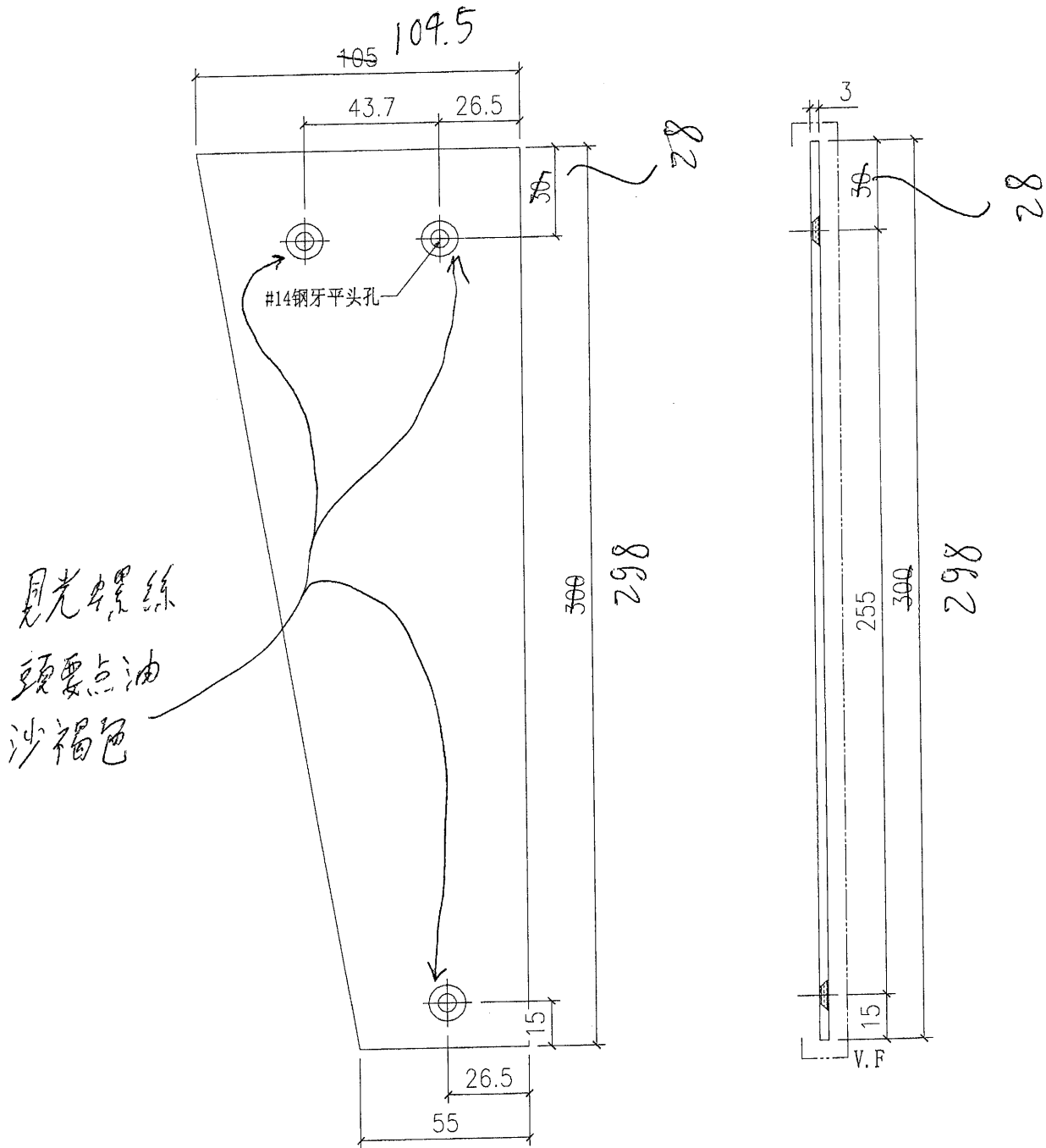
 美特鋁質有限公司 MIDI Aluminium Fabricator Ltd.		工程號 J851 地盘 青衣190 图纸名称 封笃铝片 材料 3mm铝板	類別 制圖 W. E. X 復核 - 批准 -	物料號 - 2020-07-15 - -	圖號 AP-07LS (66) 數量 106 單件重量 - (KG)
修改 日期	採用工廠 <input checked="" type="checkbox"/> 地盘 - 材料颜色 Sandy Brown (沙褐色)				

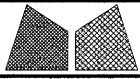
白色



 美特鋁質有限公司 MIDI Aluminium Fabricator Ltd.		工程號 J851 地盤 青衣190 封篤铝片 3mm铝板	類別 制圖 W. E. X 復核 - 批准 -	物料號 - 2020-07-15 圖號 AP-07RS (白色) 數量 106 單件重量 - (KG)
修改 日期	採用工廠 <input checked="" type="checkbox"/> 地盤 - 材料颜色 Sandy Brown (沙褐色)	图纸名称 材料		

白色

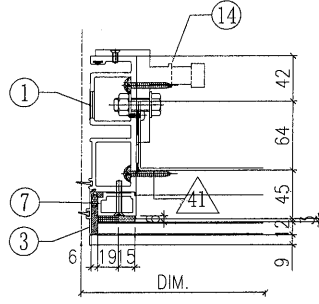




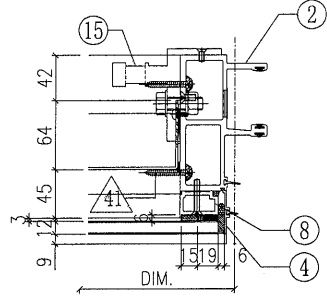
美特鋁質有限公司
MIDI Aluminium Fabricator Ltd.

工程號	J851	類別		物料號	-		
地盤	青衣190	制圖	W. E. X	2020-04-16	圖號	GWFe-807.5H1-b1F	
修改		採用工廠	地盤	✓	圖紙名稱	單元組裝圖	
日期		材料顏色	Dark Grey+WHITE	材料	-	復核	-
						批准	-
						數量	-
						單件重量	(KG)

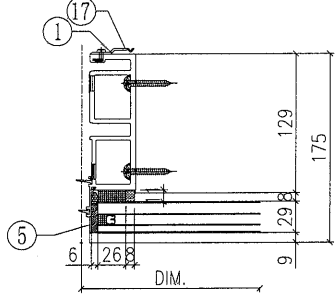
VIEW A



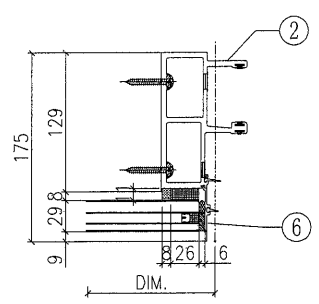
VIEW B



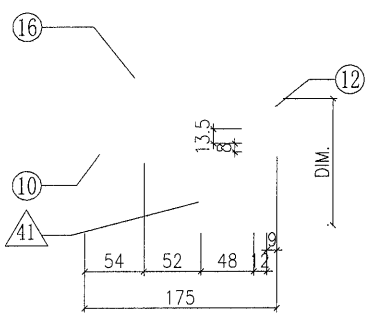
VIEW C



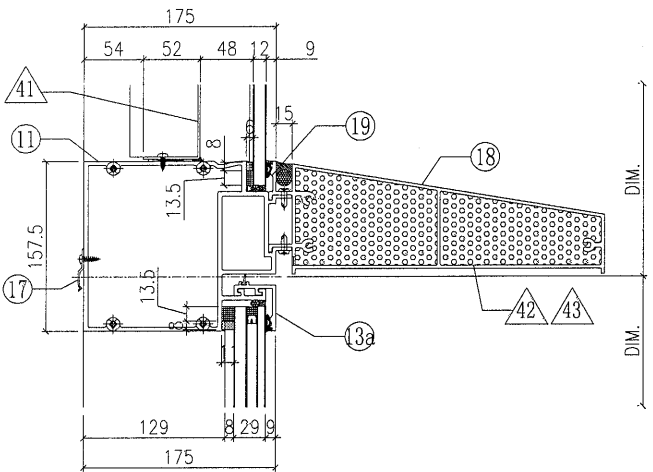
VIEW D



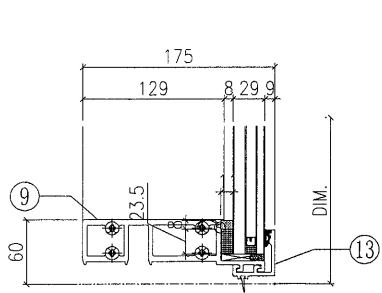
VIEW E



VIEW F



VIEW G



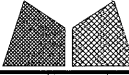
○ ALUM. EXTRUSION

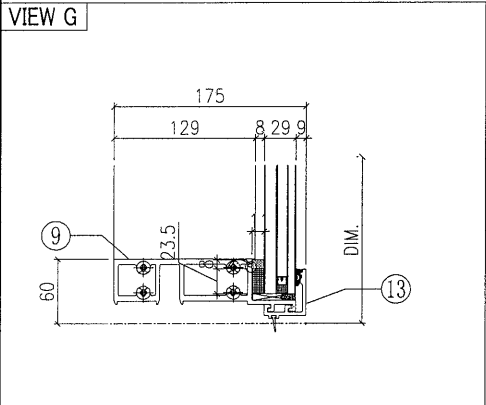
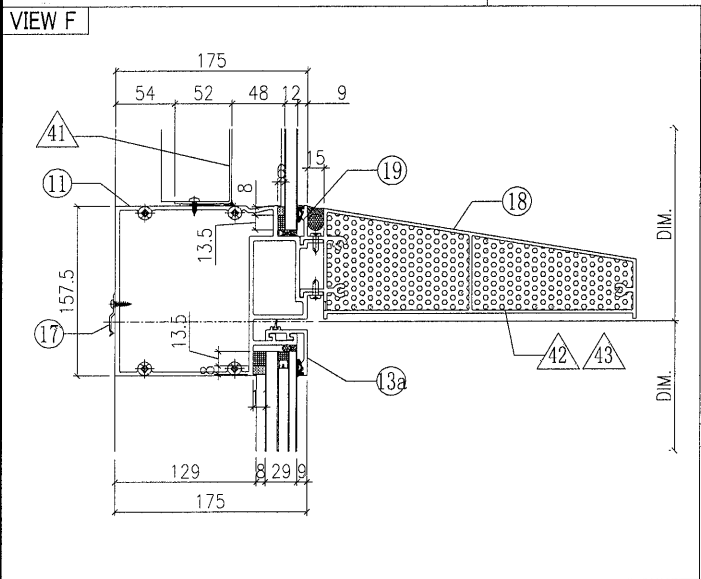
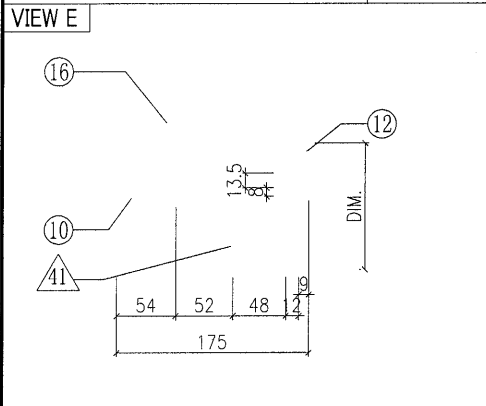
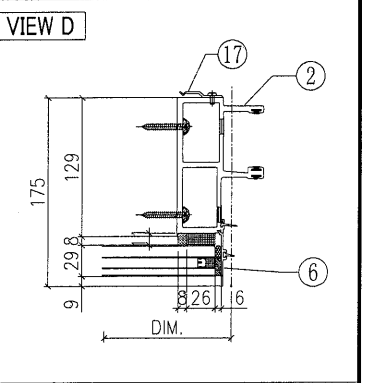
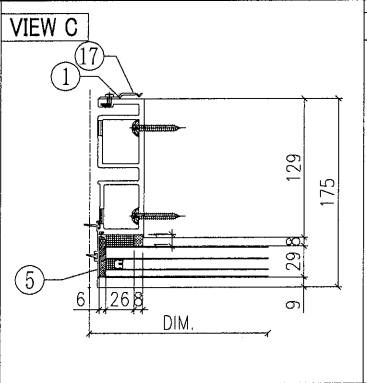
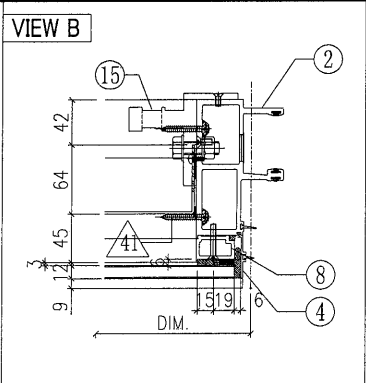
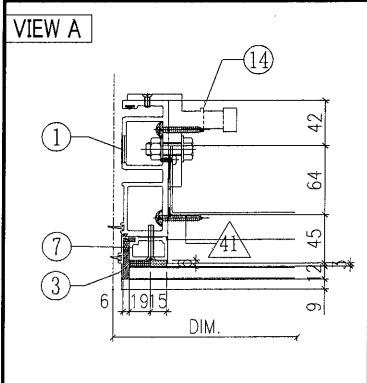
ITEM	FAB. DWG NO.	LENGTH (mm)	QTY
1	X85720-06G	3120	1
2	X85719-06G	3120	1
3	X85756-01-03W	778.5	1
4	X85756-01-03W	778.5	1
5	X85756-03-01G	2226	1
6	X85756-03-01G	2226	1
7	X85744-02G	721.5	1
8	X85744-02G	721.5	1
9	X85730-02-02G	792.5	1
10	X85731-02-02G	792.5	1
11	X85736-01-03G	792.5	1
12	X85743-01-03W	792.5	1
13	X85742-01-03G	792.5	1
13a	X85742-02-03G	792.5	1
14	X85461-01L	200	1
15	X85461-01R	200	1
16	X85752-01	250	1
17	X85751-01	50	14
18	X85738-01-01W	786.5	1
19	X85784-01-01W	792.5	1
20			
21			
22			
23			
24			

◇ OTHERS (ALUM. & G.M.S. PARTS)

ITEM	FAB. DWG NO.	LENGTH (mm)	QTY
41	BP-04-01W		1
	703.5 x 718.5 (BACK PANEL)		
42	AP-07LS		1
	3mm THK. ALUM. PLATE		
43	AP-07RS		1
	3mm THK. ALUM. PLATE		

GW-01B

 美特鋁質有限公司 MIDI Aluminium Fabricator Ltd.		工程號 J851 地盘 青衣190	類別 制圖 W. E. X	物料號 - 2020-04-16	圖號 CWFc-607.5H1-b2F
修改 日期	採用工廠 材料颜色 Dark Grey+WHITE	地盘 ✓ 材料 -	图纸名称 单元组裝图 復核 - 批准 -	數量 - 單件重量 - (KG)	

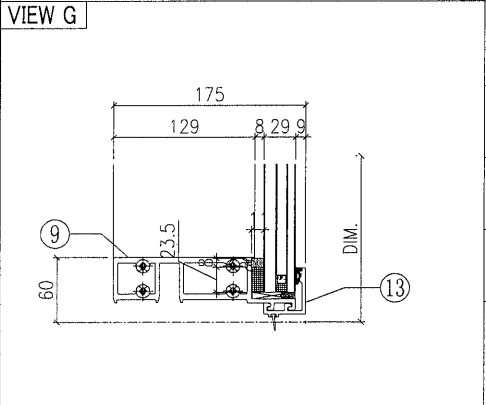
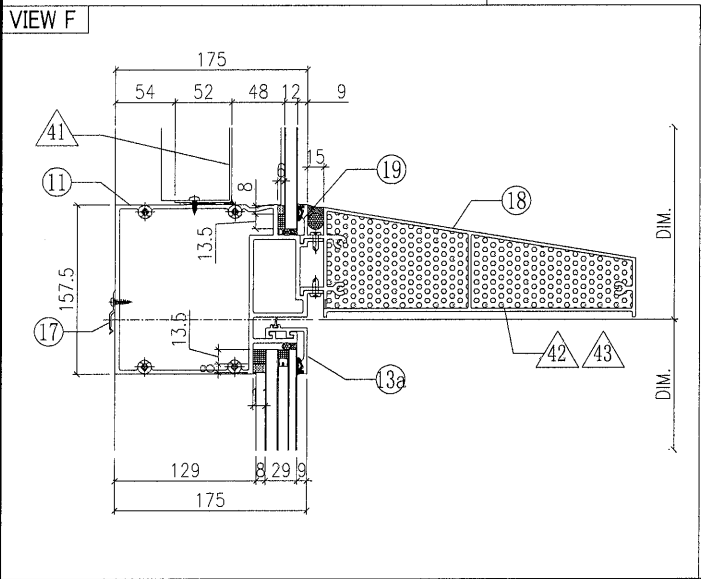
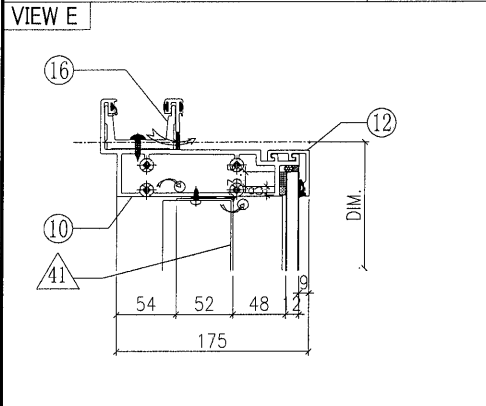
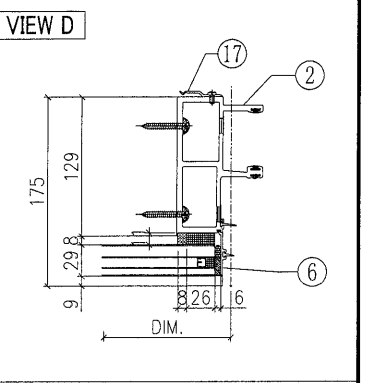
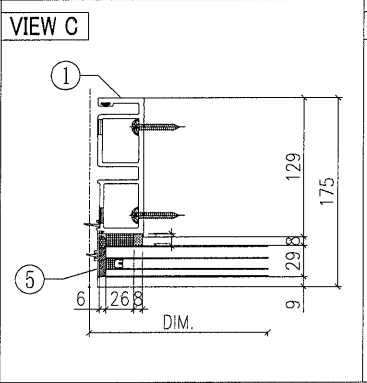
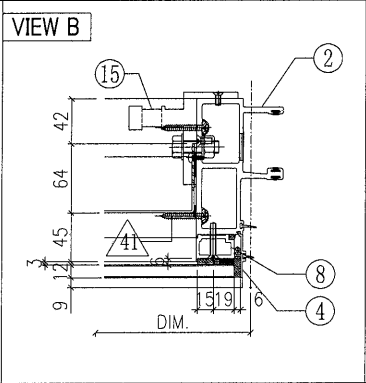
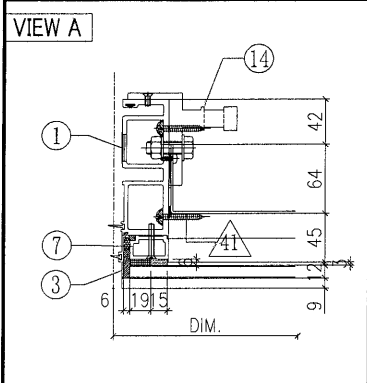


○ ALUM. EXTRUSION			
ITEM	FAB. DWG NO.	LENGTH (mm)	QTY
1	X85720-05G	3120	1
2	X85719-05G	3120	1
3	X85756-01-03W	778.5	1
4	X85756-01-03W	778.5	1
5	X85756-03-01G	2226	1
6	X85756-03-01G	2226	1
7	X85744-02G	721.5	1
8	X85744-02G	721.5	1
9	X85730-02-01G	592.5	1
10	X85731-02-01G	592.5	1
11	X85736-01-09G	592.5	1
12	X85743-01-02W	592.5	1
13	X85742-01-02G	592.5	1
13a	X85742-02-02G	592.5	1
14	X85461-01L	200	1
15	X85461-01R	200	1
16	X85752-01	250	1
17	X85751-01	50	10
18	X85738-01-07W	586.5	1
19	X85784-01-07W	592.5	1
20			
21			
22			
23			
24			

◇ OTHERS (ALUM. & G.M.S. PARTS)			
ITEM	FAB. DWG NO.	LENGTH (mm)	QTY
41	BP-04-02W		1
	503.5 x 718.5 (BACK PANEL)		
42	AP-07LS		1
	3mm THK. ALUM. PLATE		
43	AP-07RS		1
	3mm THK. ALUM. PLATE		

GW-02B

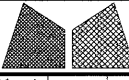
 美特鋁質有限公司 MIDI Aluminium Fabricator Ltd.		工程號 J851 地盤 青衣190	類別 制圖 W. E. X	物料號 - 2020-04-16	圖號 GWFe-707.5H1-b2F
修改 日期	採用工廠 地盤 <input checked="" type="checkbox"/>	图纸名称 单元组装图	復核 - 批准 -	數量 - 單件重量 - (KG)	
	材料颜色 WHITE	材料 -			

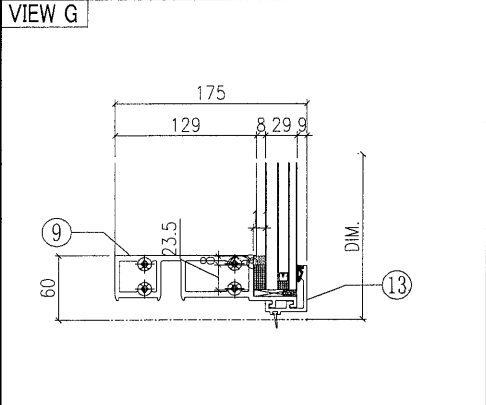
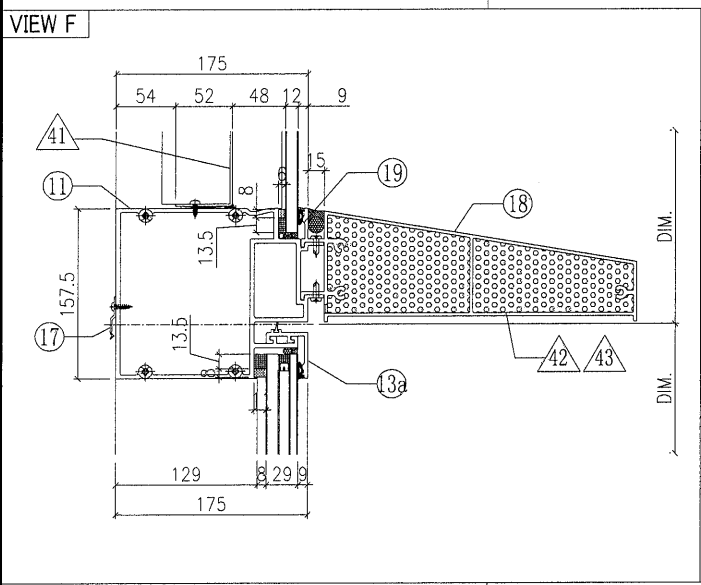
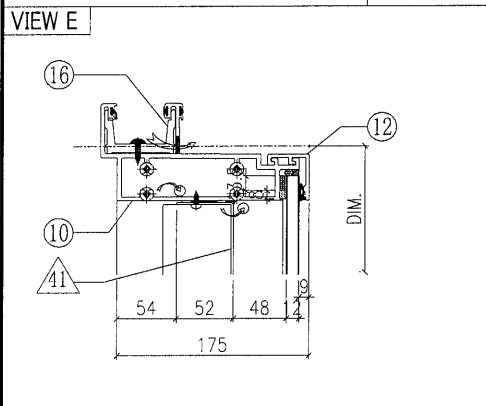
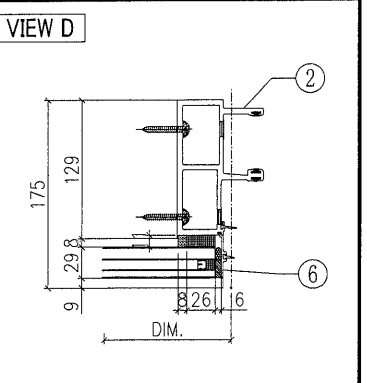
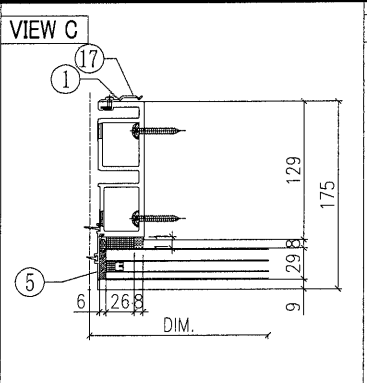
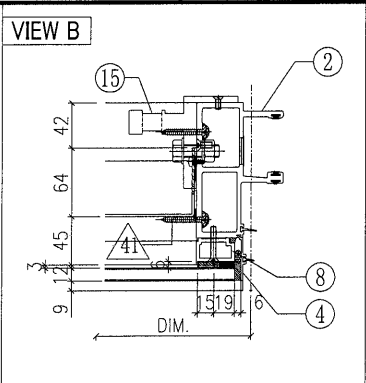
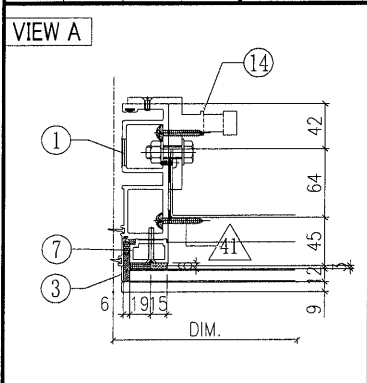


○ ALUM. EXTRUSION			
ITEM	FAB. DWG NO.	LENGTH (mm)	QTY
1	X85720-05G	3120	1
2	X85719-05G	3120	1
3	X85756-01-03W	778.5	1
4	X85756-01-03W	778.5	1
5	X85756-03-01G	2226	1
6	X85756-03-01G	2226	1
7	X85744-02G	721.5	1
8	X85744-02G	721.5	1
9	X85730-02-06G	692.5	1
10	X85731-02-06G	692.5	1
11	X85736-01-06G	692.5	1
12	X85743-01-09W	692.5	1
13	X85742-01-09G	692.5	1
13a	X85742-02-09G	692.5	1
14	X85461-01L	200	1
15	X85461-01R	200	1
16	X85752-01	250	1
17	X85751-01	50	11
18	X85738-01-04W	686.5	1
19	X85784-01-04W	692.5	1
20			
21			
22			
23			
24			

◇ OTHERS (ALUM. & G.M.S. PARTS)			
ITEM	FAB. DWG NO.	LENGTH (mm)	QTY
41	BP-04-05W		1
	603.5 x 718.5 (BACK PANEL)		
42	AP-07LS		1
	3mm THK. ALUM. PLATE		
43	AP-07RS		1
	3mm THK. ALUM. PLATE		

GW-05B

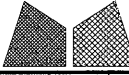
 美特鋁質有限公司 MIDI Aluminium Fabricator Ltd.		工程號 J851 地盤 青衣190 图纸名称 单元组装图	類別 制圖 W. E. X 復核 - 批准 -	物料號 - 2020-04-16 圖號 GWFe-707.5H1-b1F 數量 - 單件重量 - (KG)
修改 日期	採用工廠 地盤 ✓ 材料颜色 WHITE	材料 -		

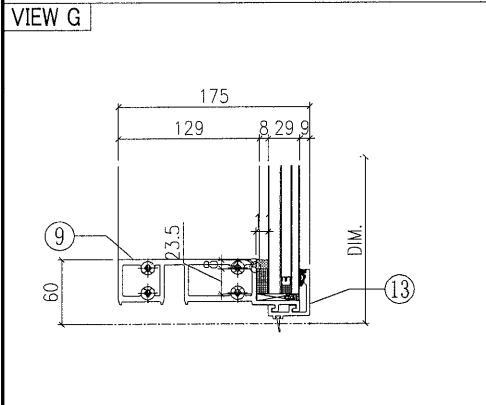
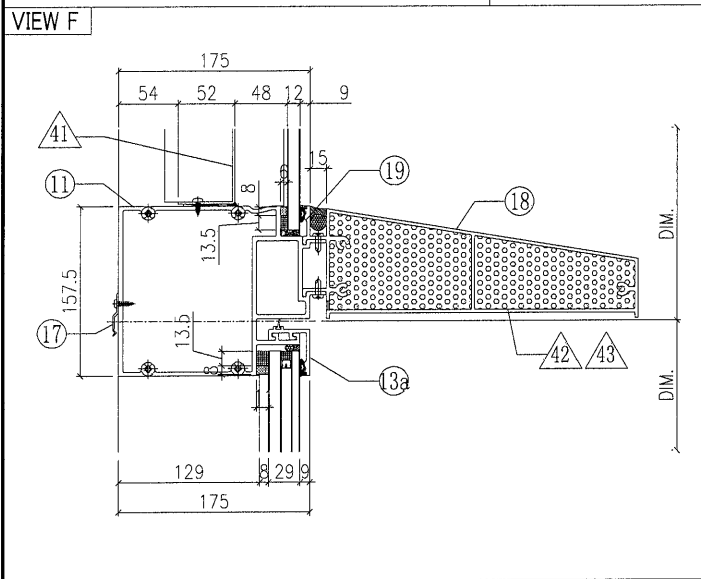
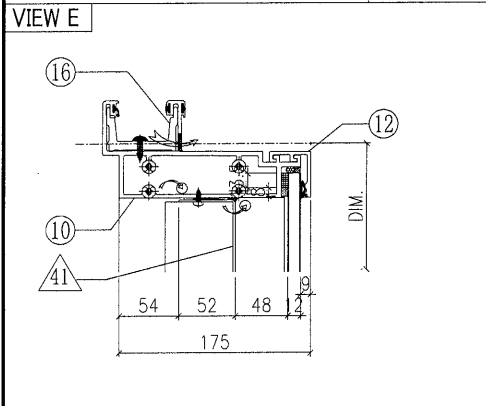
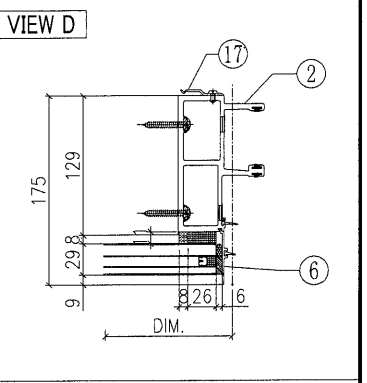
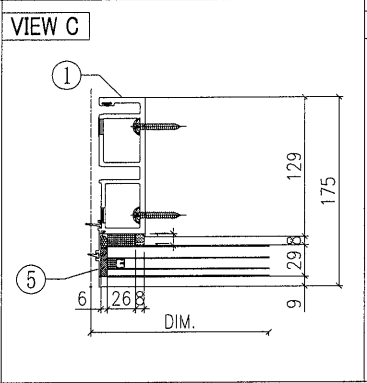
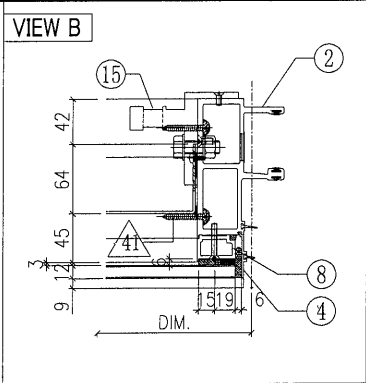
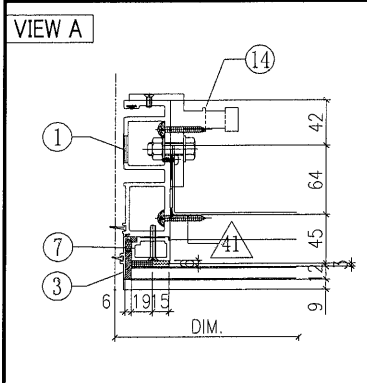


○ ALUM. EXTRUSION			
ITEM	FAB. DWG NO.	LENGTH (mm)	QTY
1	X85720-06G	3120	1
2	X85719-06G	3120	1
3	X85756-01-03W	778.5	1
4	X85756-01-03W	778.5	1
5	X85756-03-01G	2226	1
6	X85756-03-01G	2226	1
7	X85744-02G	721.5	1
8	X85744-02G	721.5	1
9	X85730-02-06G	692.5	1
10	X85731-02-06G	692.5	1
11	X85736-01-06G	692.5	1
12	X85743-01-09W	692.5	1
13	X85742-01-09G	692.5	1
13a	X85742-02-09G	692.5	1
14	X85461-01L	200	1
15	X85461-01R	200	1
16	X85752-01	250	1
17	X85751-01	50	11
18	X85738-01-04W	686.5	1
19	X85784-01-04W	692.5	1
20			
21			
22			
23			
24			

◇ OTHERS (ALUM. & G.M.S. PARTS)			
ITEM	FAB. DWG NO.	LENGTH (mm)	QTY
41	BP-04-05W		1
	603.5 x 718.5 (BACK PANEL)		
42	AP-07LS		1
	3mm THK. ALUM. PLATE		
43	AP-07RS		1
	3mm THK. ALUM. PLATE		

GW-06B

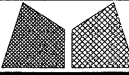
 美特鋁質有限公司 MIDI Aluminium Fabricator Ltd.		工程號 J851 地盘 青衣190	類別 制圖 W. E. X	物料號 - 2020-04-16	圖號 GWFe-1590H1-b2F
修改日期 採用工廠 材料颜色 WHITE	地盤 图纸名称 单元组装图	復核 - 批准 -	數量 - 單件重量 - (KG)		

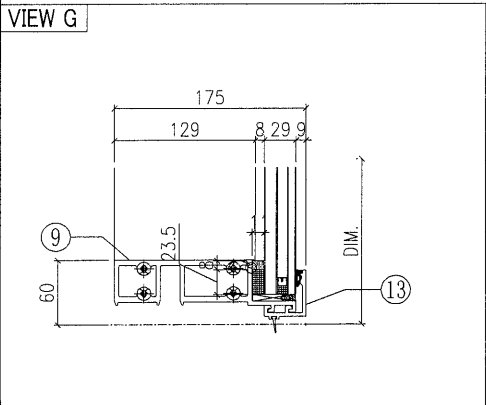
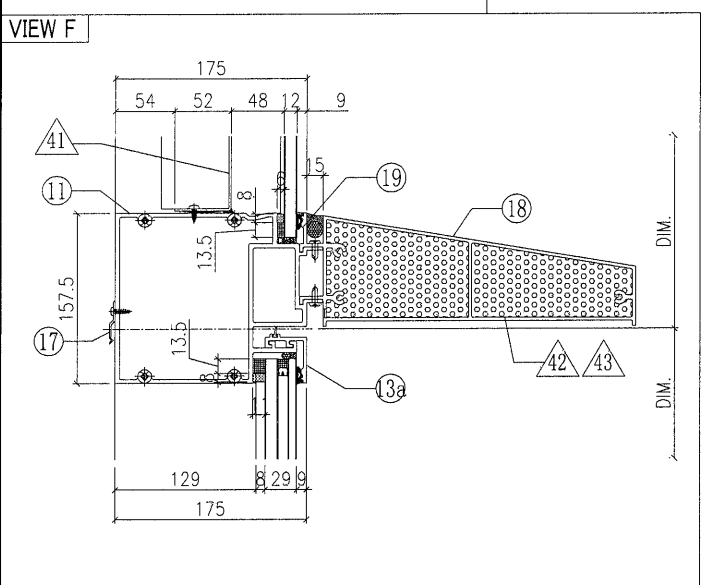
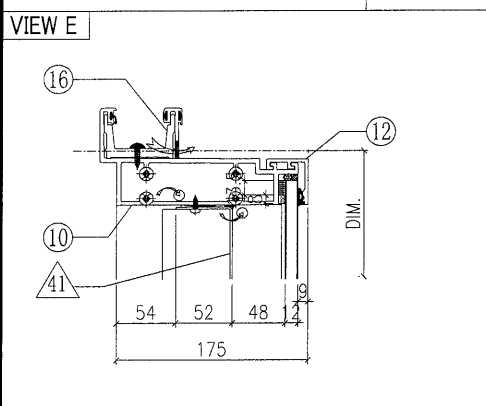
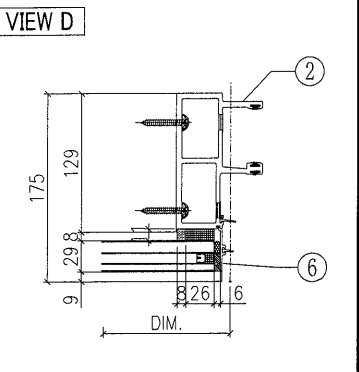
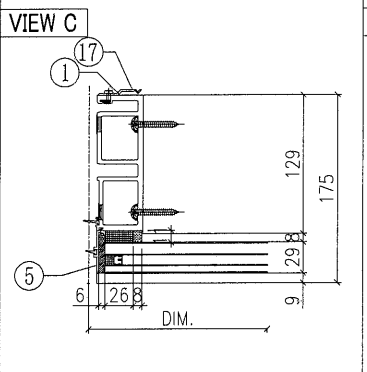
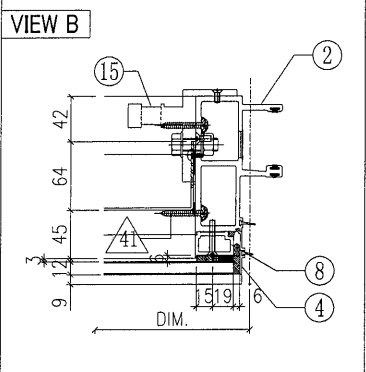
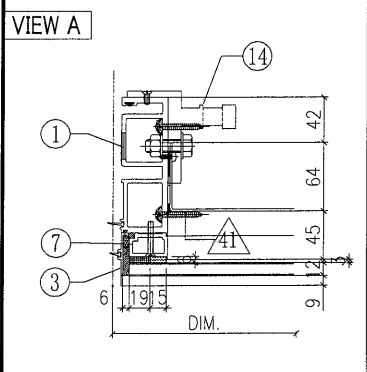


○ ALUM. EXTRUSION			
ITEM	FAB. DWG NO.	LENGTH (mm)	QTY
1	X85720-05G	3120	1
2	X85719-05G	3120	1
3	X85756-01-03W	778.5	1
4	X85756-01-03W	778.5	1
5	X85756-03-01G	2226	1
6	X85756-03-01G	2226	1
7	X85744-02G	721.5	1
8	X85744-02G	721.5	1
9	X85730-02-05G	1575	1
10	X85731-02-05G	1575	1
11	X85736-01-04G	1575	1
12	X85743-01-08W	1575	1
13	X85742-01-08G	1575	1
13a	X85742-02-08G	1575	1
14	X85461-01L	200	1
15	X85461-01R	200	1
16	X85752-01	250	1
17	X85751-01	50	14
18	X85738-01-02W	1569	1
19	X85784-01-02W	1575	1
20			
21			
22			
23			
24			

◇ OTHERS (ALUM. & G.M.S. PARTS)			
ITEM	FAB. DWG NO.	LENGTH (mm)	QTY
41	BP-04-06W		1
	1486 x 718.5 (BACK PANEL)		
42	AP-07LS		1
	3mm THK. ALUM. PLATE		
43	AP-07RS		1
	3mm THK. ALUM. PLATE		

GW-07B

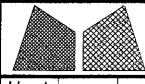
 美特鋁質有限公司 MIDI Aluminium Fabricator Ltd.		工程號 J851 地盘 青衣190	類別 制圖 W. E. X	物料號 - 2020-04-16	圖號 GWFe-1690H1-b1F
修改 日期	採用工廠 材料颜色 WHITE	地盤 ✓ 材料 -	图纸名称 单元组装图 復核 - 批准 -	數量 - 單件重量 - (KG)	

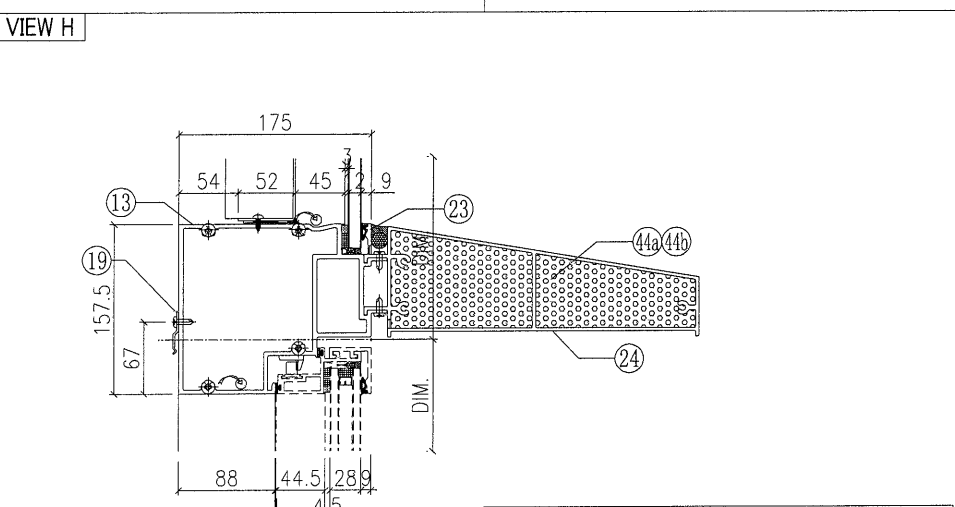
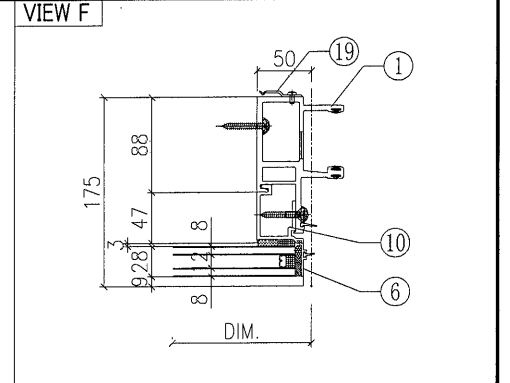
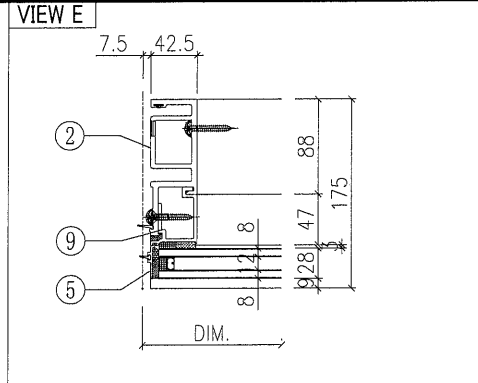
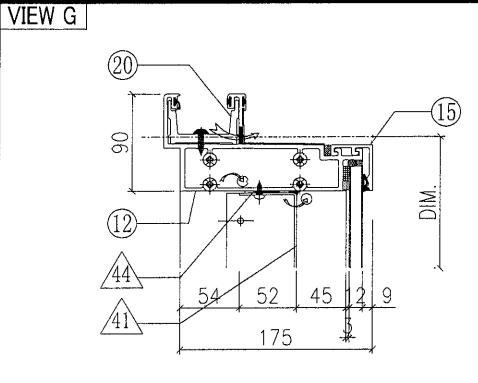


○ ALUM. EXTRUSION			
ITEM	FAB. DWG NO.	LENGTH (mm)	QTY
1	X85720-06G	3120	1
2	X85719-06G	3120	1
3	X85756-01-03W	778.5	1
4	X85756-01-03W	778.5	1
5	X85756-03-01G	2226	1
6	X85756-03-01G	2226	1
7	X85744-02G	721.5	1
8	X85744-02G	721.5	1
9	X85730-02-07G	1675	1
10	X85731-02-07G	1675	1
11	X85736-01-05G	1675	1
12	X85743-01-10W	1675	1
13	X85742-01-10G	1675	1
13a	X85742-02-10G	1675	1
14	X85461-01L	200	1
15	X85461-01R	200	1
16	X85752-01	250	1
17	X85751-01	50	14
18	X85738-01-03W	1669	1
19	X85784-01-03W	1675	1
20			
21			
22			
23			
24			

◇ OTHERS (ALUM. & G.M.S. PARTS)			
ITEM	FAB. DWG NO.	LENGTH (mm)	QTY
41	BP-04-07W		1
	1586 x718.5 (BACK PANEL)		
42	AP-07LS		1
	3mm THK. ALUM. PLATE		
43	AP-07RS		1
	3mm THK. ALUM. PLATE		

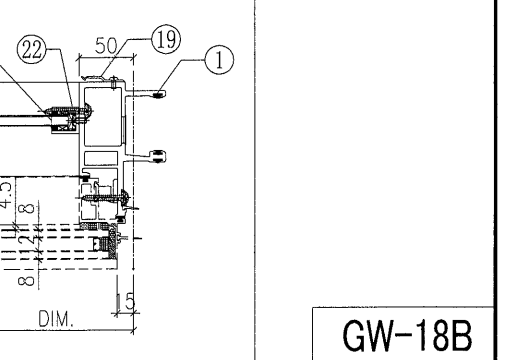
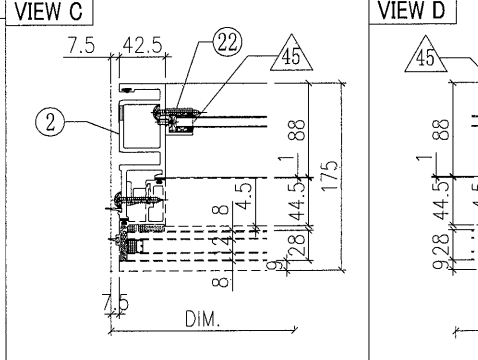
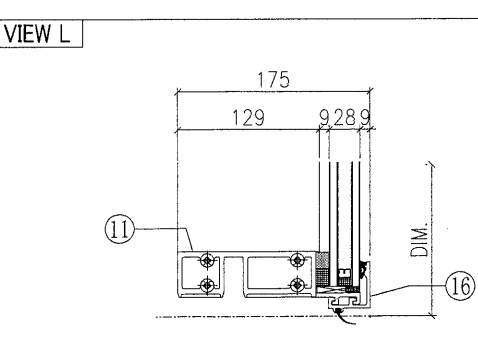
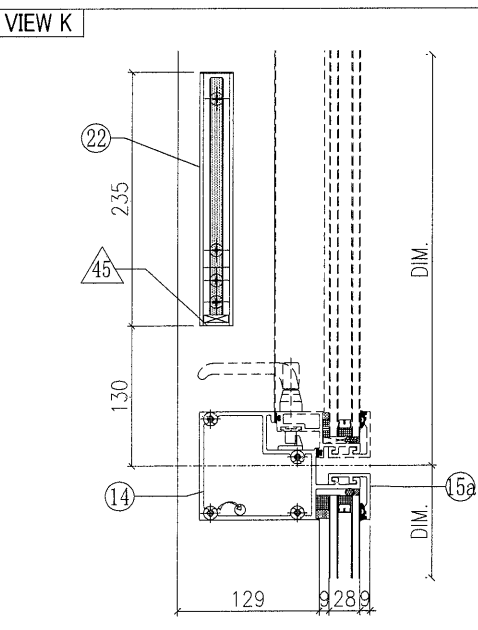
GW-08B

 美特鋁質有限公司 MIDI Aluminium Fabricator Ltd.		工程號 J851 地盤 青衣190	類別 制圖 W. E. X	物料號 - 2020-05-26	圖號 GWSRm-672.5H1-b2SF
修改 日期	採用工廠 <input checked="" type="checkbox"/> 地盤 材料顏色 Dark Grey+WHITE	图纸名称 单元组装图 材料 -	復核 批准	數量 單件重量	- - (KW)

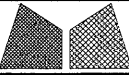


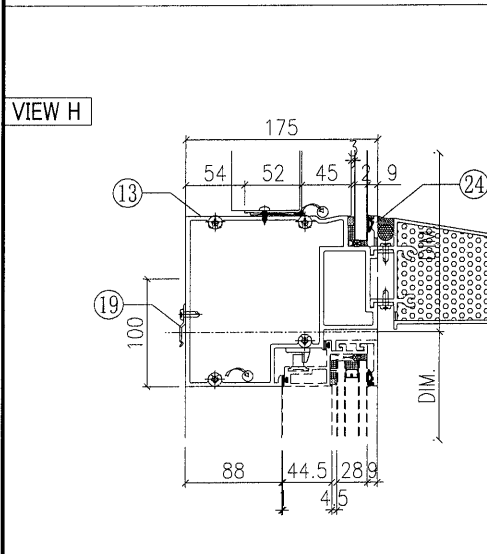
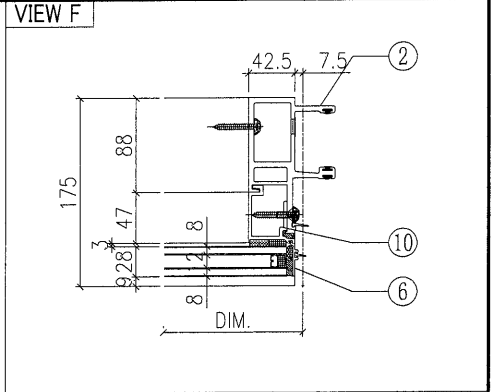
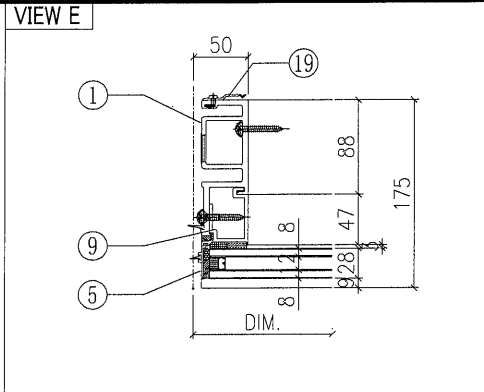
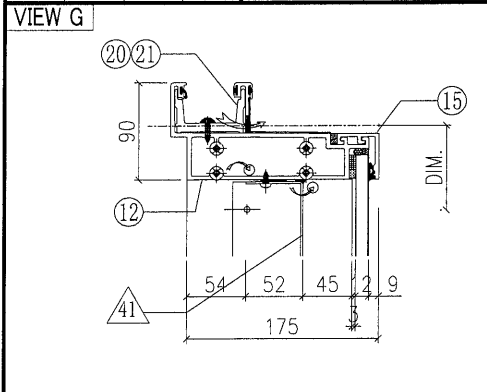
○ ALUM. EXTRUSION			
ITEM	FAB. DWG NO.	LENGTH (mm)	QTY
1	X85721-04G	3120	1
2	X85722-02G	3120	1
3	X85757-01-03W	778.5	1
4	X85757-01-03W	778.5	1
5	X85757-03-01G	756	1
6	X85757-03-01G	756	1
7	X85745-01-02G	721.5	1
8	X85745-01-02G	721.5	1
9	X85748-01LG	756	1
10	X85748-01RG	756	1
11	X85730-05-01G	657.5	1
12	X85731-10G	657.5	1
13	X85735-02RG	657.5	1
14	X85734-03R-01G	657.5	1
15	X85743-01-01W	657.5	1
15a	X85743-01-01G	657.5	1
16	X85742-01-01G	657.5	1
17	X85461-01L	200	1
18	X85461-01R	200	1
19	X85751-01	50	11
20	X85752-01	250	1
21	-	-	-
22	X85476-01G	234	2
23	X85784-01-09W	657.5	1
24	X85738-01-09W	651.5	1
25	(窗玉)CW-SH03RG		1
26			

◇ OTHERS (ALUM. & G.M.S. PARTS)			
ITEM	FAB. DWG NO.	LENGTH (mm)	QTY
41	BP-04-03W		1
	568.5 x 718.5 (BACK PANEL)		
42			
43			
44a	AP-07LS		1
	3mm THK. ALUM. PLATE		
44b	AP-07RS		1
	3mm THK. ALUM. PLATE		
45	AA-03G	21	2
	3mm THK. ALUM. ANGLE		
46	AP-03-16		1
	1.5mm THK. ALUM. PLATE		



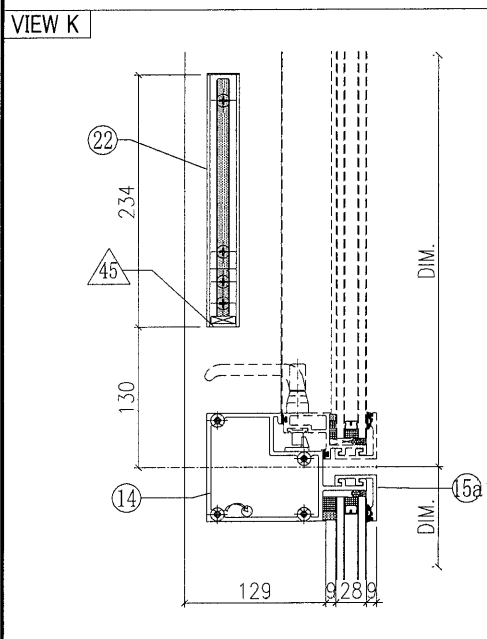
GW-18B

 美特鋁質有限公司 MIDI Aluminium Fabricator Ltd.		工程號 J851 地盤 青衣190	類別 制圖 W. E. X 復核 - 批准 -	物料號 - 2020-05-26 圖號 GWSLm-672.5H1-b1SF 數量 - 單件重量 - (KW)
修改 日期	採用工廠 ✓ 地盤 材料顏色 Dark Grey+WHITE	图纸名称 单元组装图 材料 -		

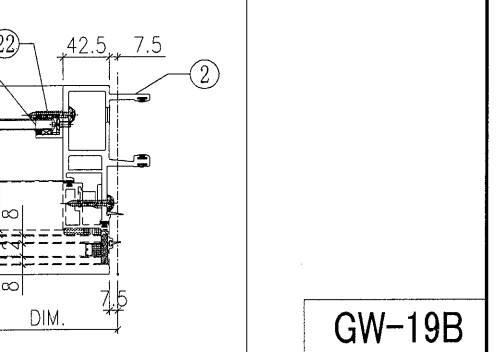
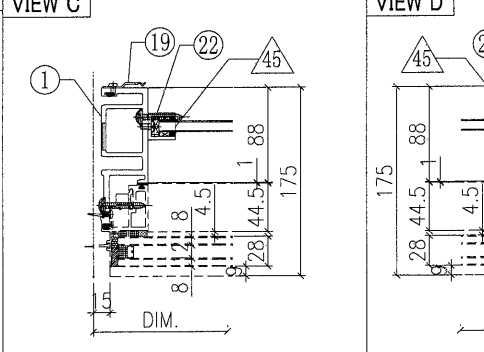
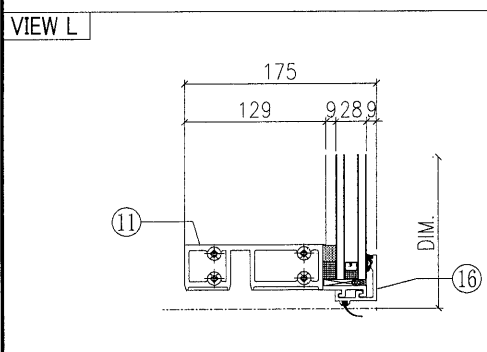


◇ OTHERS (ALUM. & G.M.S. PARTS)			
ITEM	FAB. DWG NO.	LENGTH (mm)	QTY
41	BP-04-03W	568.5 x 718.5 (BACK PANEL)	1
42			
43			
44a	AP-07LS 3mm THK. ALUM. PLATE		1
44b	AP-07RS 3mm THK. ALUM. PLATE		1
45	AA-03G 3mm THK. ALUM. ANGLE	21	2
46	AP-03-16 1.5mm THK. ALUM. PLATE		1

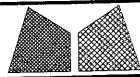
○ ALUM. EXTRUSION			
ITEM	FAB. DWG NO.	LENGTH (mm)	QTY
1	X85722-04G	3120	1
2	X85721-02G	3120	1
3	X85757-01-03W	778.5	1
4	X85757-01-03W	778.5	1
5	X85757-03-01G	756	1
6	X85757-03-01G	756	1
7	X85745-01-02G	721.5	1
8	X85745-01-02G	721.5	1
9	X85748-01LG	756	1
10	X85748-01RG	756	1
11	X85730-05-01G	657.5	1
12	X85731-10G	657.5	1
13	X85735-02LG	657.5	1
14	X85734-03L-01G	657.5	1
15	X85743-01-01W	657.5	1
15a	X85743-01-01G	657.5	1
16	X85742-01-01G	657.5	1
17	X85461-01L	200	1
18	X85461-01R	200	1
19	X85751-01	50	11
20	X85752-01	250	1
21	-	-	-
22	X85476-01G	234	2
23	X85784-01-09W	657.5	1
24	X85738-01-09W	651.5	1
25	(窗玉)CW-SH03LG		1
26			



◇ OTHERS (ALUM. & G.M.S. PARTS)			
ITEM	FAB. DWG NO.	LENGTH (mm)	QTY
41	BP-04-03W	568.5 x 718.5 (BACK PANEL)	1
42			
43			
44a	AP-07LS 3mm THK. ALUM. PLATE		1
44b	AP-07RS 3mm THK. ALUM. PLATE		1
45	AA-03G 3mm THK. ALUM. ANGLE	21	2
46	AP-03-16 1.5mm THK. ALUM. PLATE		1

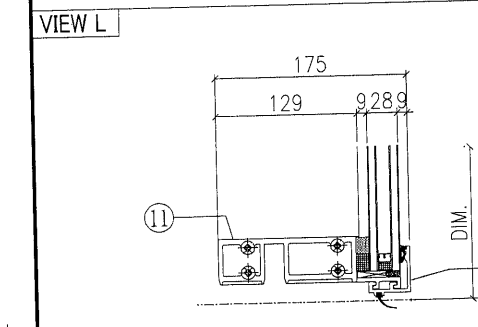
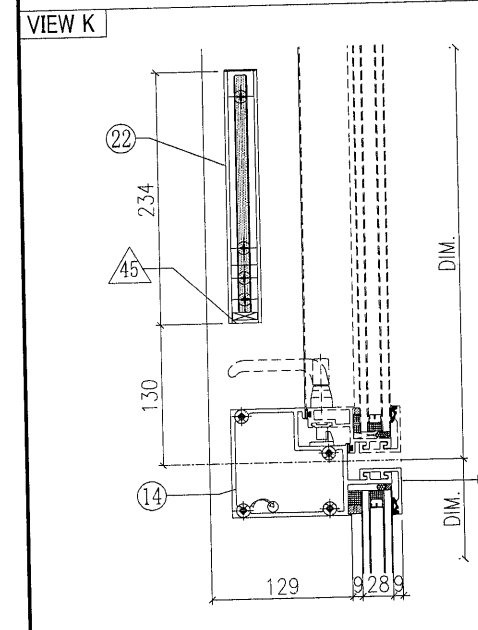
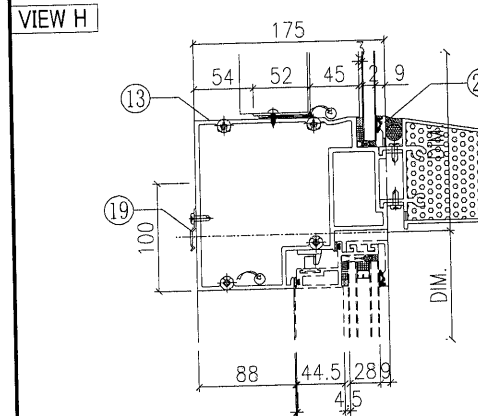
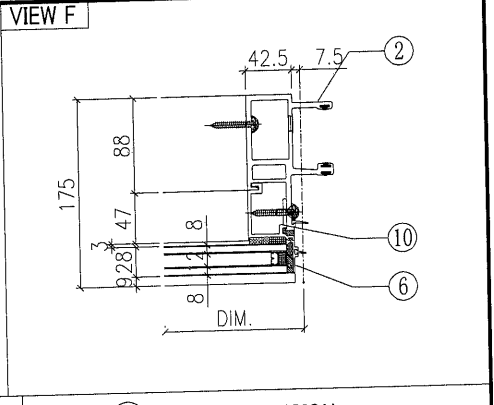
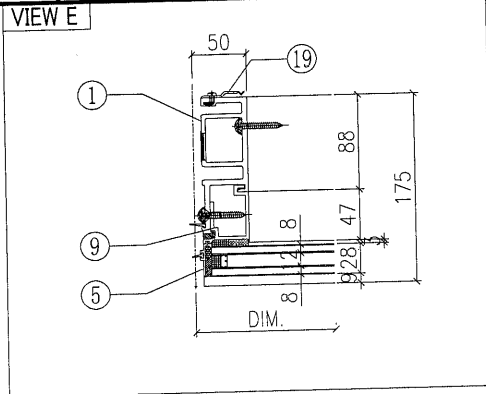
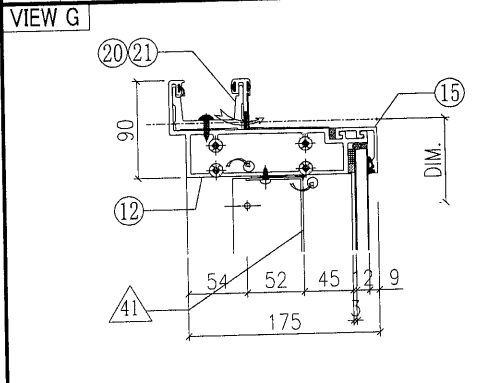


GW-19B



美特鋁質有限公司
MIDI Aluminium Fabricator Ltd.

工程號	J851	類別		物料號	-	
地盘	青衣190	制圖	W. E. X	2020-05-26	圖號	WSLm-672.5H1-b1SF
图纸名称	单元组装图	復核	-	-	數量	-
修改日期	採用工廠 <input checked="" type="checkbox"/> 地盘	材料	-	-	單件重量	(KW)
	材料颜色 WHITE					

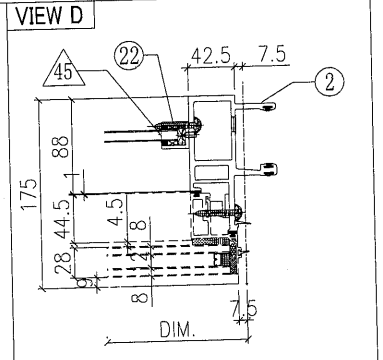
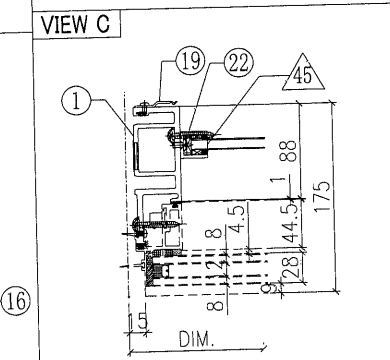


◇ OTHERS (ALUM. & G.M.S. PARTS)

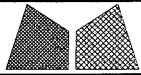
ITEM	FAB. DWG NO.	LENGTH (mm)	QTY
41	BP-04-03W	568.5 x 718.5 (BACK PANEL)	1
42			
43			
44a	AP-07LS 3mm THK. ALUM. PLATE		1
44b	AP-07RS 3mm THK. ALUM. PLATE		1
45	AA-03W 3mm THK. ALUM. ANGLE	21	2
46	AP-03-16 1.5mm THK. ALUM. PLATE		1

○ ALUM. EXTRUSION

ITEM	FAB. DWG NO.	LENGTH (mm)	QTY
1	X85722-04W	3120	1
2	X85721-02W	3120	1
3	X85757-01-03W	778.5	1
4	X85757-01-03W	778.5	1
5	X85757-03-01W	756	1
6	X85757-03-01W	756	1
7	X85745-01-02W	721.5	1
8	X85745-01-02W	721.5	1
9	X85748-01LW	756	1
10	X85748-01RW	756	1
11	X85730-05-01W	657.5	1
12	X85731-10W	657.5	1
13	X85735-02LW	657.5	1
14	X85734-03L-01W	657.5	1
15	X85743-01-01W	657.5	2
16	X85742-01-01W	657.5	1
17	X85461-01L	200	1
18	X85461-01R	200	1
19	X85751-01	50	11
20	X85752-01	250	1
21	-	-	-
22	X85476-01W	234	2
23	X85784-01-09W	657.5	1
24	X85738-01-09W	651.5	1
25	(窗玉)CW-SH03LW		1
26			

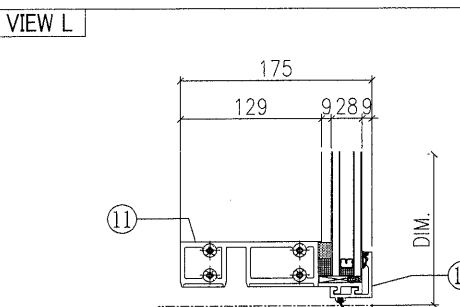
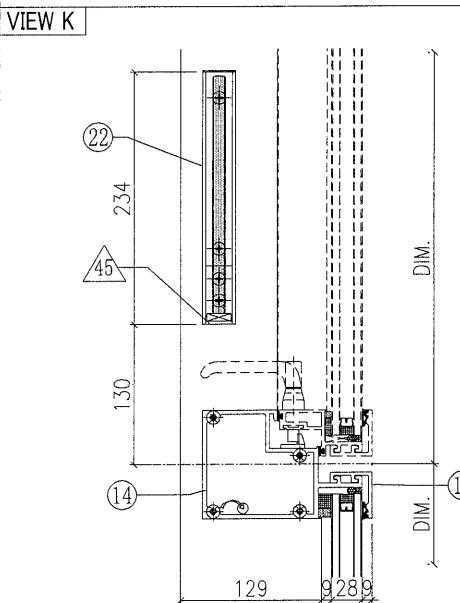
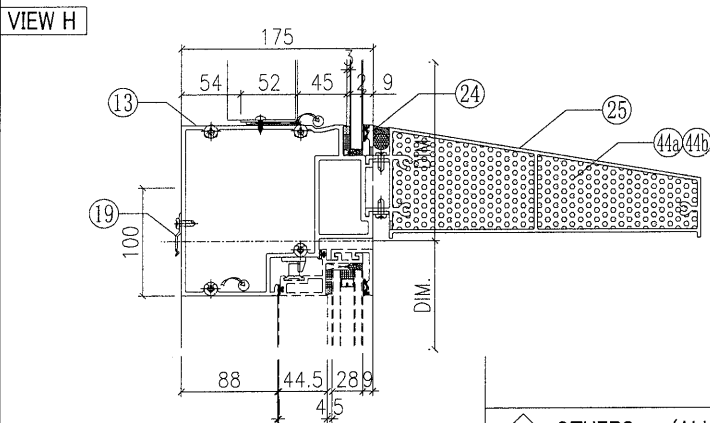
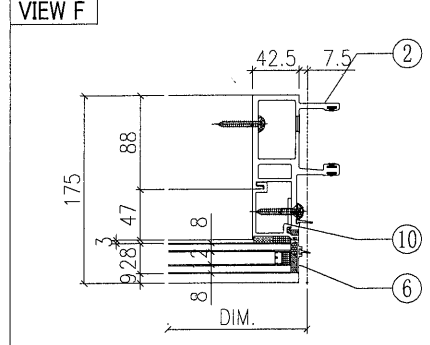
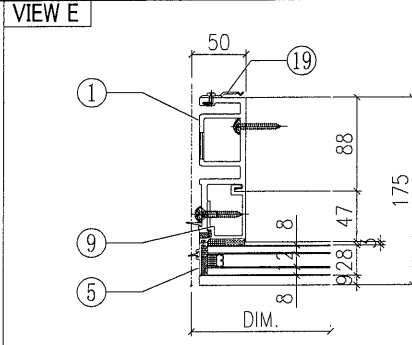
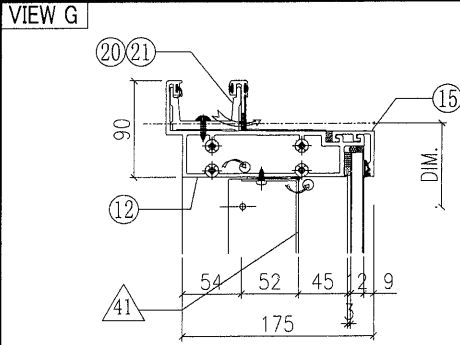


W-42B



美特鋁質有限公司
MIDI Aluminium Fabricator Ltd.

工程號	J851	類別		物料號	-				
地盤	青衣190	制圖	W. E. X	2020-05-26	圖號	WSLm-672.5H1-b1F			
修改		採用工廠	✓ 地盤	圖紙名稱	單元組裝圖	復核	-	數量	-
日期		材料顏色	WHITE	材料	-	批准	-	單件重量	- (KW)

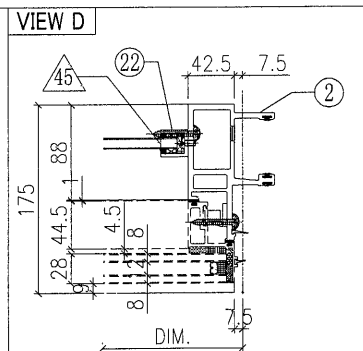
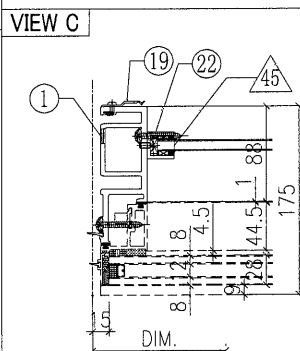


◇ OTHERS (ALUM. & G.M.S. PARTS)

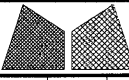
ITEM	FAB. DWG NO.	LENGTH (mm)	QTY
41	BP-04-03W	568.5 x 718.5 (BACK PANEL)	1
42			
43			
44a	AP-07LS		1
	3mm THK. ALUM. PLATE		
44b	AP-07RS		1
	3mm THK. ALUM. PLATE		
45	AA-03W	21	2
	3mm THK. ALUM. ANGLE		
46	AP-03-16		1
	1.5mm THK. ALUM. PLATE		

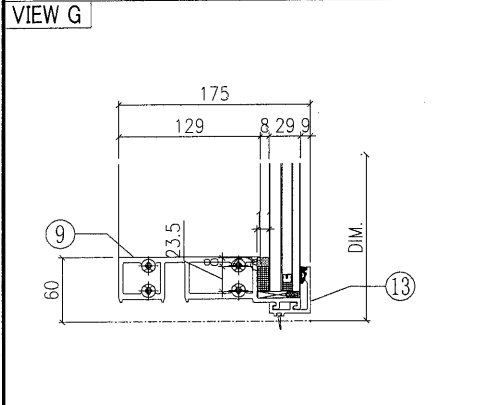
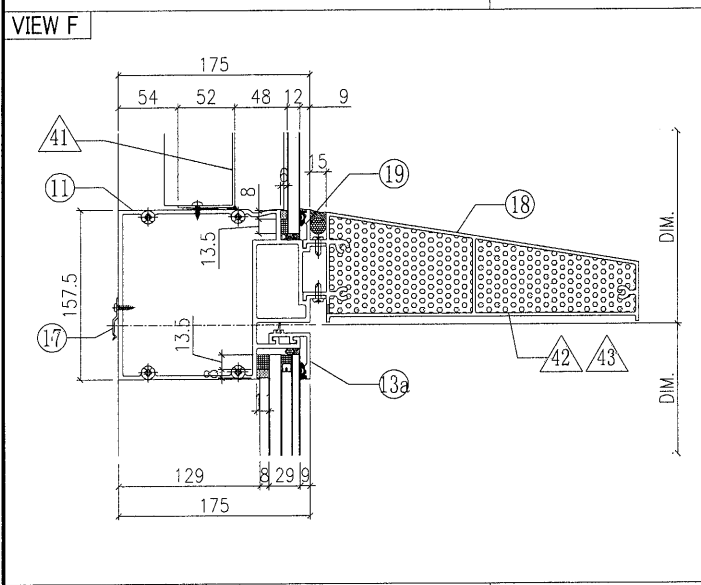
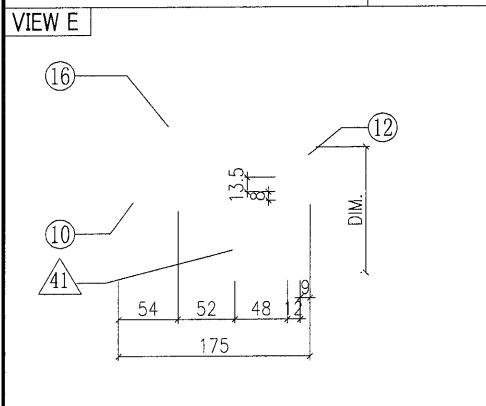
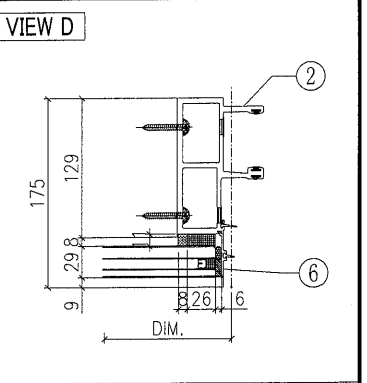
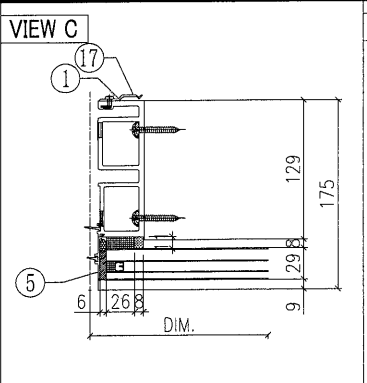
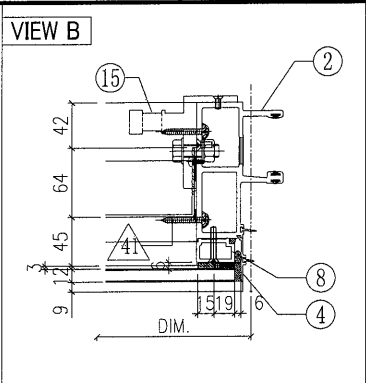
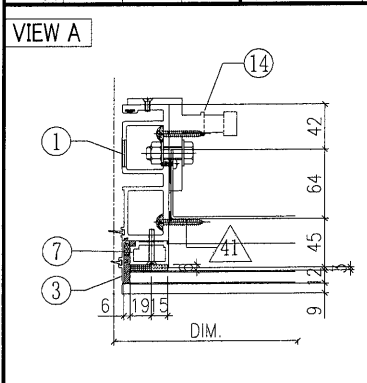
○ ALUM. EXTRUSION

ITEM	FAB. DWG NO.	LENGTH (mm)	QTY
1	X85722-04W	3120	1
2	X85721-02W	3120	1
3	X85757-01-03W	778.5	1
4	X85757-01-03W	778.5	1
5	X85757-03-01W	756	1
6	X85757-03-01W	756	1
7	X85745-01-02W	721.5	1
8	X85745-01-02W	721.5	1
9	X85748-01LW	756	1
10	X85748-01RW	756	1
11	X85730-05-01W	657.5	1
12	X85731-10W	657.5	1
13	X85735-02LW	657.5	1
14	X85734-03L-01W	657.5	1
15	X85743-01-01W	657.5	2
16	X85742-01-01W	657.5	1
17	X85461-01L	200	1
18	X85461-01R	200	1
19	X85751-01	50	11
20	X85752-01	250	1
21	-	-	-
22	X85476-01W	234	2
23	X85784-01-09W	657.5	1
24	X85738-01-09W	651.5	1
25	(窗玉)CW-SH11LW		1
26			



W-44B

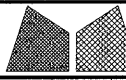
 美特鋁質有限公司 MIDI Aluminium Fabricator Ltd.		工程號 J851 地盘 青衣190 图纸名称 单元组装机	類別 制圖 W. E. X 復核 - 批准 -	物料號 - 2020-04-16 - -	圖號 WFe-807.5H1-b1F 數量 - 單件重量 - (KG)
修改 日期	採用工廠 材料颜色 WHITE	地盤 ✓ 材料 -			



○ ALUM. EXTRUSION			
ITEM	FAB. DWG NO.	LENGTH (mm)	QTY
1	X85720-06W	3120	1
2	X85719-06W	3120	1
3	X85756-01-03W	778.5	1
4	X85756-01-03W	778.5	1
5	X85756-03-01W	2226	1
6	X85756-03-01W	2226	1
7	X85744-02W	721.5	1
8	X85744-02W	721.5	1
9	X85730-02-02W	792.5	1
10	X85731-02-02W	792.5	1
11	X85736-01-03W	792.5	1
12	X85743-01-03W	792.5	1
13	X85742-01-03W	792.5	1
13a	X85742-02-03W	792.5	1
14	X85461-01L	200	1
15	X85461-01R	200	1
16	X85752-01	250	1
17	X85751-01	50	14
18	X85738-01-01W	786.5	1
19	X85784-01-01W	792.5	1
20			
21			
22			
23			
24			

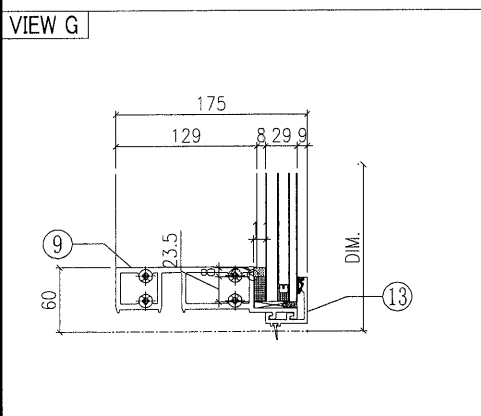
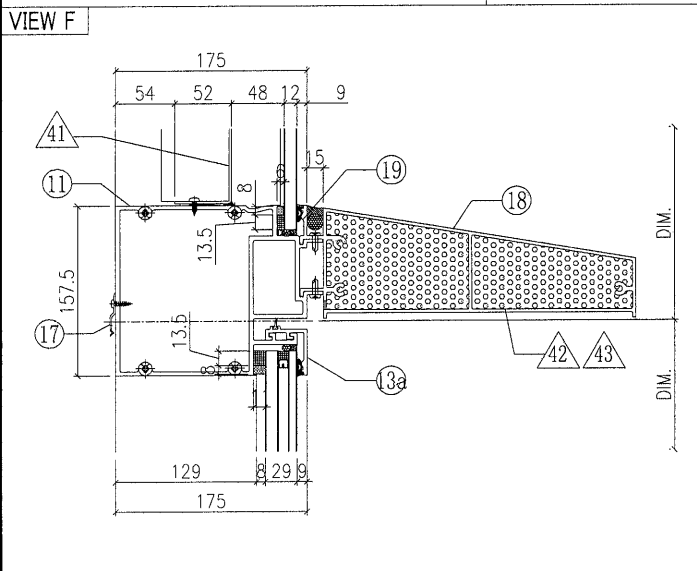
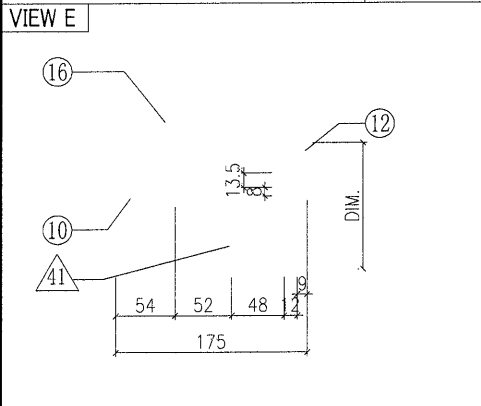
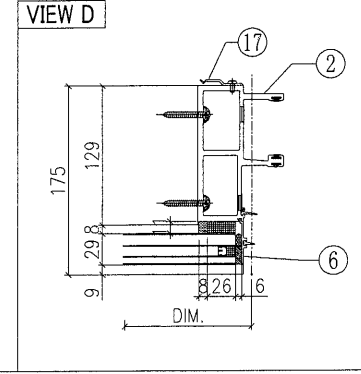
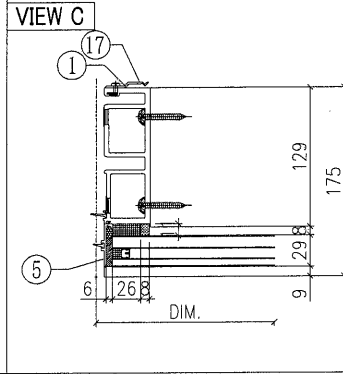
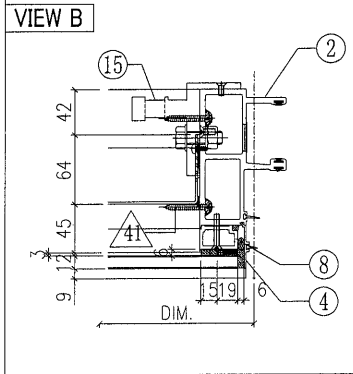
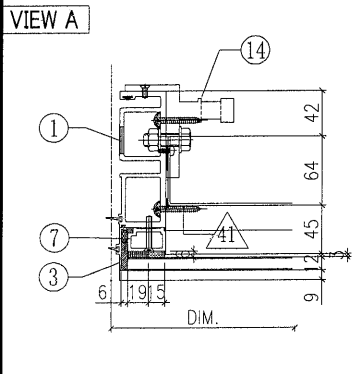
◇ OTHERS (ALUM. & G.M.S. PARTS)			
ITEM	FAB. DWG NO.	LENGTH (mm)	QTY
41	BP-04-01W		1
	703.5 x 718.5 (BACK PANEL)		
42	AP-07LS		1
	3mm THK. ALUM. PLATE		
43	AP-07RS		1
	3mm THK. ALUM. PLATE		

W-06B



美特鋁質有限公司
MIDI Aluminium Fabricator Ltd.

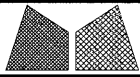
工程號	J851	類別		物料號	-		
地盘	青衣190	制圖	W. E. X	2020-04-16	圖號	WFe-607.5H1-b2F	
修改		採用工廠	地盘	✓	图纸名称	单元组装图	
日期		材料颜色	WHITE	材料	-	復核	-
						批准	-
						數量	-
						單件重量	(KG)



○ ALUM. EXTRUSION			
ITEM	FAB. DWG NO.	LENGTH (mm)	QTY
1	X85720-05W	3120	1
2	X85719-05W	3120	1
3	X85756-01-03W	778.5	1
4	X85756-01-03W	778.5	1
5	X85756-03-01W	2226	1
6	X85756-03-01W	2226	1
7	X85744-02W	721.5	1
8	X85744-02W	721.5	1
9	X85730-02-01W	592.5	1
10	X85731-02-01W	592.5	1
11	X85736-01-09W	592.5	1
12	X85743-01-02W	592.5	1
13	X85742-01-02W	592.5	1
13a	X85742-02-02W	592.5	1
14	X85461-01L	200	1
15	X85461-01R	200	1
16	X85752-01	250	1
17	X85751-01	50	10
18	X85738-01-07W	586.5	1
19	X85784-01-07W	592.5	1
20			
21			
22			
23			
24			

◇ OTHERS (ALUM. & G.M.S. PARTS)			
ITEM	FAB. DWG NO.	LENGTH (mm)	QTY
41	BP-04-02W		1
	503.5 x 718.5 (BACK PANEL)		
42	AP-07LS		1
	3mm THK. ALUM. PLATE		
43	AP-07RS		1
	3mm THK. ALUM. PLATE		

W-07B



美特鋁質有限公司
MIDI Aluminium Fabricator Ltd.

工程號 J851
地盘 青衣190

類別
制圖 W. E. X

物料號 -
2020-04-16

圖號 WFe-1452.5H1-b2F

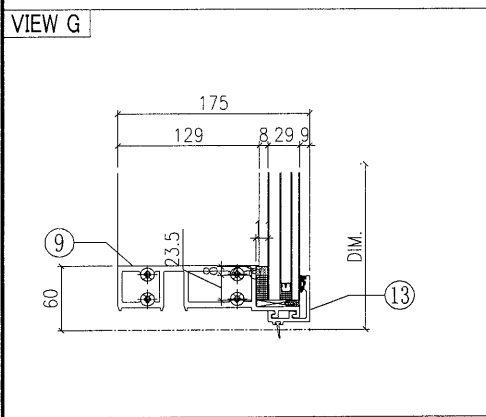
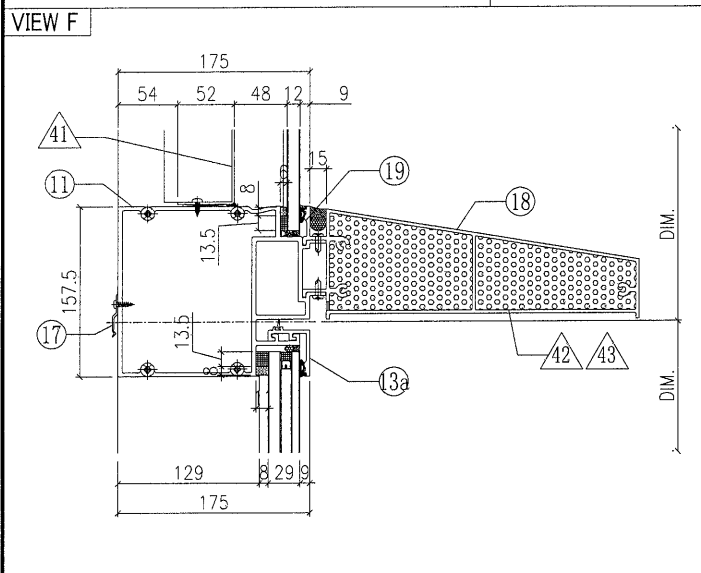
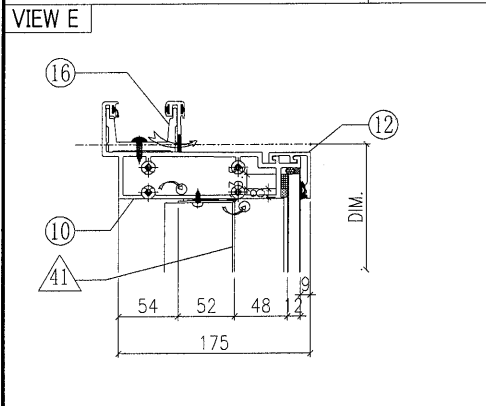
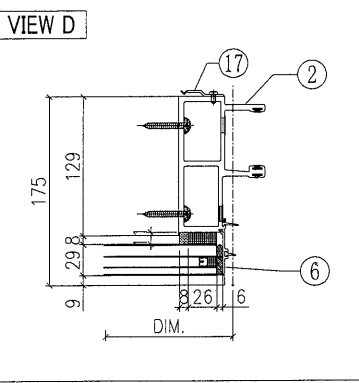
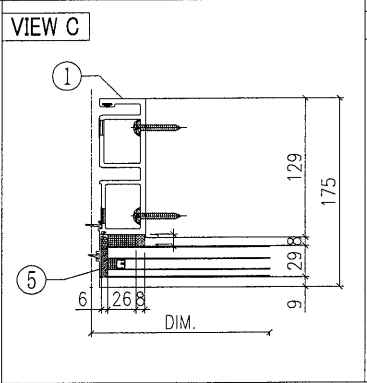
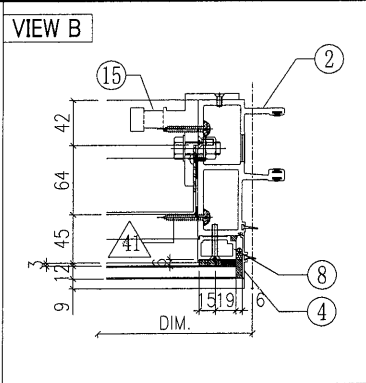
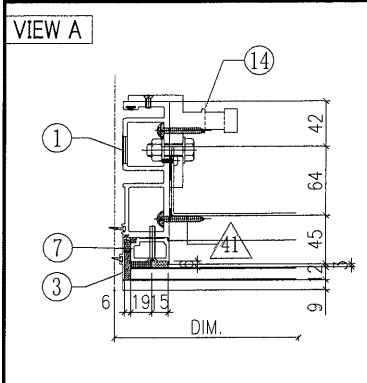
修改
日期

採用工廠
材料颜色 WHITE

图纸名称 单元组装机
材料 -

復核 -
批准 -

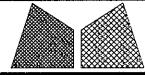
數量 -
單件重量 - (KG)

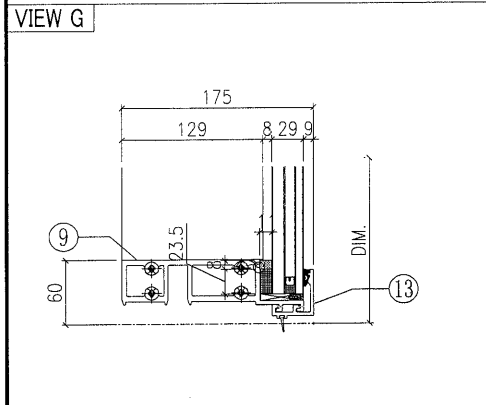
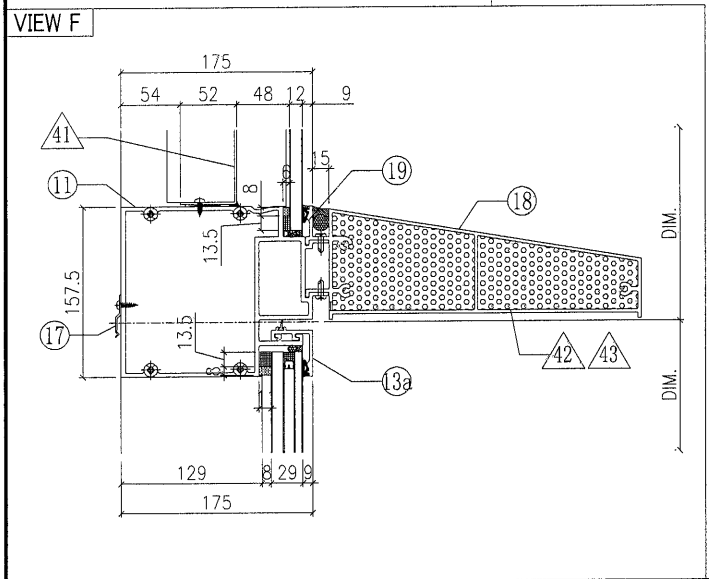
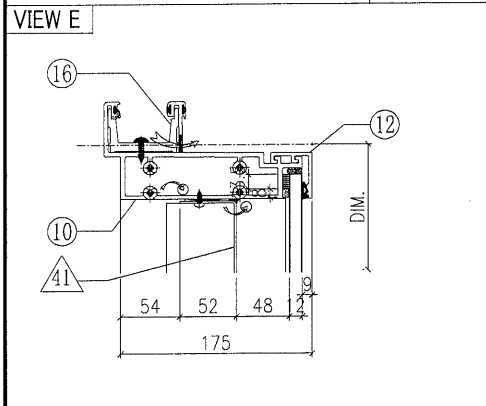
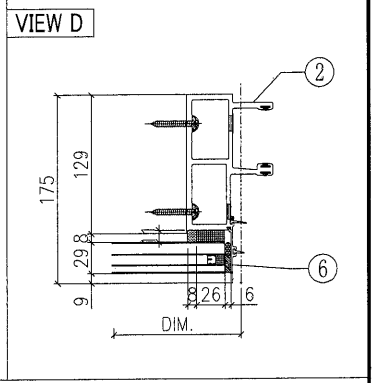
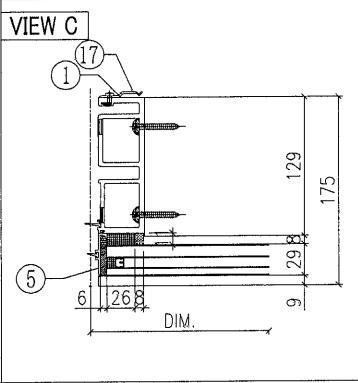
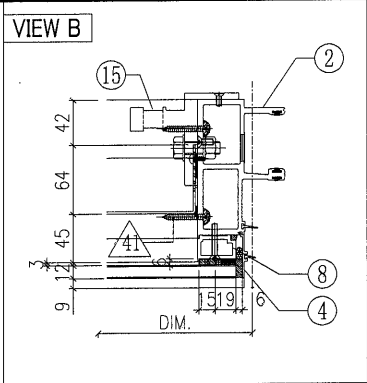
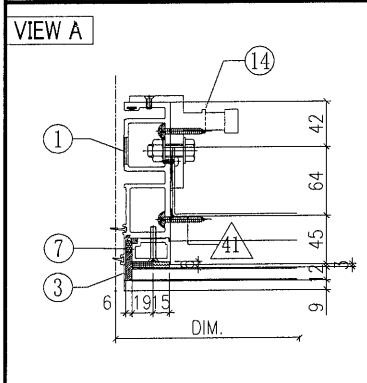


◇ OTHERS (ALUM. & G.M.S. PARTS)			
ITEM	FAB. DWG NO.	LENGTH (mm)	QTY
41	BP-04-10W		1
	1348.5x718.5 (BACK PANEL)		
42	AP-07LS		1
	3mm THK. ALUM. PLATE		
43	AP-07RS		1
	3mm THK. ALUM. PLATE		

○ ALUM. EXTRUSION			
ITEM	FAB. DWG NO.	LENGTH (mm)	QTY
1	X85720-05W	3120	1
2	X85719-05W	3120	1
3	X85756-01-03W	778.5	1
4	X85756-01-03W	778.5	1
5	X85756-03-01W	2226	1
6	X85756-03-01W	2226	1
7	X85744-02W	721.5	1
8	X85744-02W	721.5	1
9	X85730-02-04W	1437.5	1
10	X85731-02-04W	1437.5	1
11	X85736-01-10W	1437.5	1
12	X85743-01-07W	1437.5	1
13	X85742-01-07W	1437.5	1
13a	X85742-02-07W	1437.5	1
14	X85461-01L	200	1
15	X85461-01R	200	1
16	X85752-01	250	1
17	X85751-01	50	13
18	X85738-01-08W	1431.5	1
19	X85784-01-08W	1437.5	1
20			
21			
22			
23			
24			

W-08B

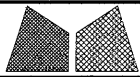
 美特鋁質有限公司 MIDI Aluminium Fabricator Ltd.		工程號 J851 地盤 青衣190	類別 制圖 W. E. X	物料號 - 2020-04-16	圖號 WFe-1690H1-b1F
修改 日期	採用工廠 材料顏色 WHITE	地盤 <input checked="" type="checkbox"/>	图纸名称 单元组装图	復核 - 批准 -	數量 - 單件重量 - (KG)



○ ALUM. EXTRUSION			
ITEM	FAB. DWG NO.	LENGTH (mm)	QTY
1	X85720-06W	3120	1
2	X85719-06W	3120	1
3	X85756-01-03W	778.5	1
4	X85756-01-03W	778.5	1
5	X85756-03-01W	2226	1
6	X85756-03-01W	2226	1
7	X85744-02W	721.5	1
8	X85744-02W	721.5	1
9	X85730-02-07W	1675	1
10	X85731-02-07W	1675	1
11	X85736-01-05W	1675	1
12	X85743-01-10W	1675	1
13	X85742-01-10W	1675	1
13a	X85742-02-10W	1675	1
14	X85461-01L	200	1
15	X85461-01R	200	1
16	X85752-01	250	1
17	X85751-01	50	14
18	X85738-01-03W	1669	1
19	X85784-01-03W	1675	1
20			
21			
22			
23			
24			

◇ OTHERS (ALUM. & G.M.S. PARTS)			
ITEM	FAB. DWG NO.	LENGTH (mm)	QTY
41	BP-04-07W		1
	1586 x718.5 (BACK PANEL)		
42	AP-07LS		1
	3mm THK. ALUM. PLATE		
43	AP-07RS		1
	3mm THK. ALUM. PLATE		

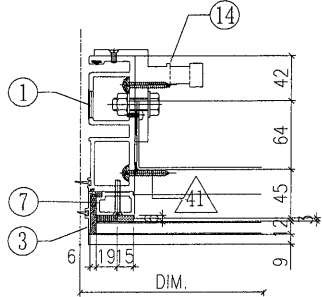
W-17B



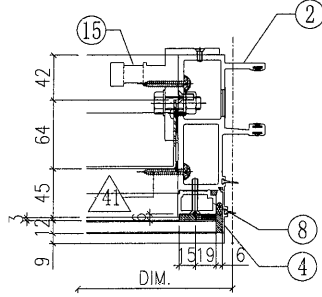
美特鋁質有限公司
MIDI Aluminium Fabricator Ltd.

工程號	J851	類別		物料號	-		
地盘	青衣190	制圖	W. E. X	2020-04-16	圖號	WFe-707.5H1-b2F	
修改		採用工廠	地盘	✓	图纸名称	单元组装图	
日期		材料颜色	WHITE	材料	-	復核	-
						批准	-
						數量	-
						單件重量	(KG)

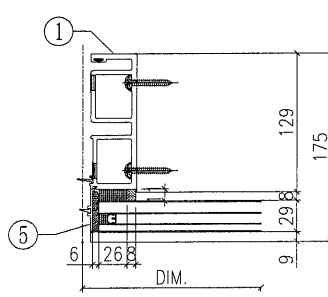
VIEW A



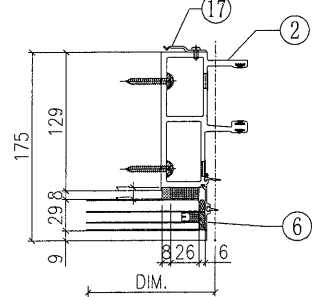
VIEW B



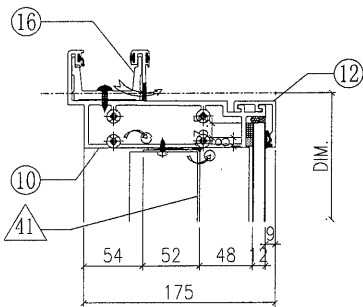
VIEW C



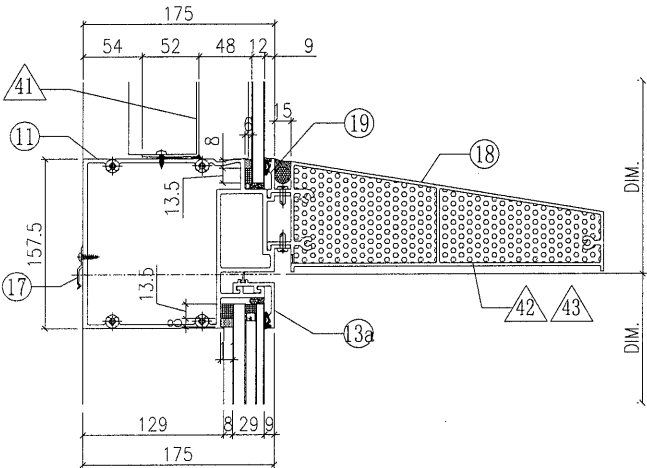
VIEW D



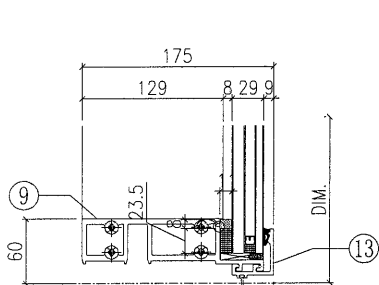
VIEW E



VIEW F



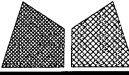
VIEW G

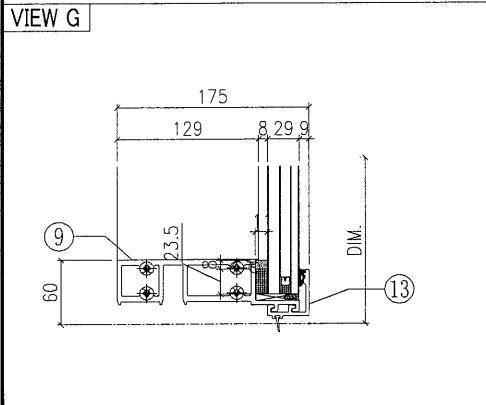
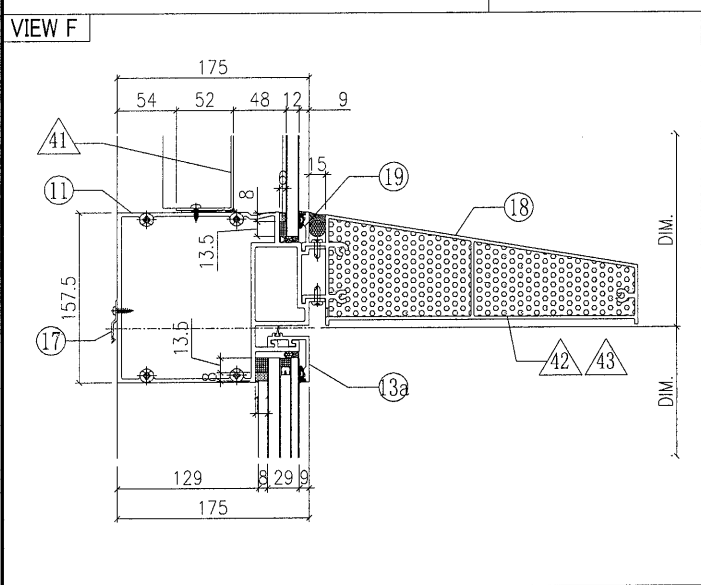
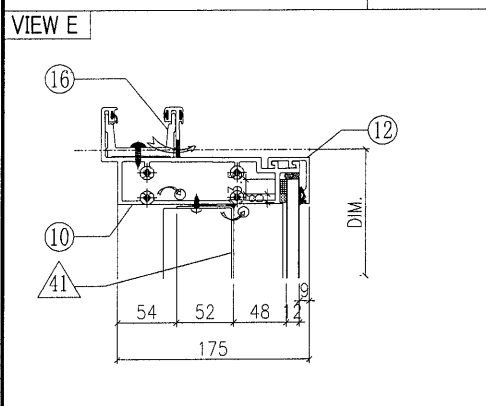
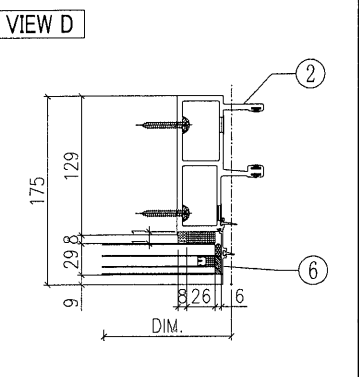
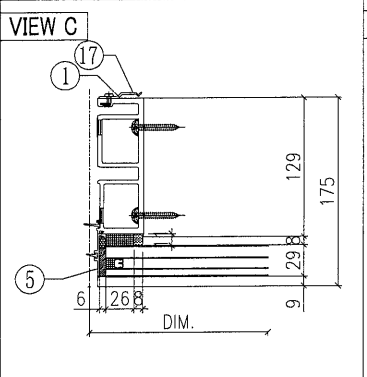
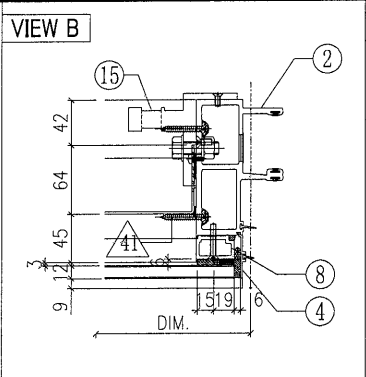
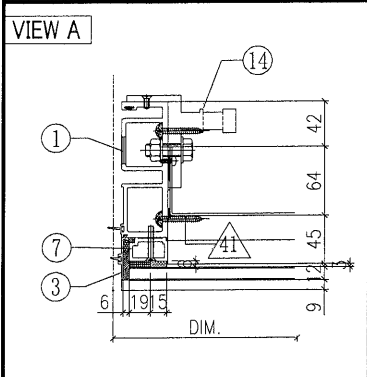


◇ OTHERS (ALUM. & G.M.S. PARTS)			
ITEM	FAB. DWG NO.	LENGTH (mm)	QTY
41	BP-04-05W		1
	603.5 x 718.5 (BACK PANEL)		
42	AP-07LS		1
	3mm THK. ALUM. PLATE		
43	AP-07RS		1
	3mm THK. ALUM. PLATE		

○ ALUM. EXTRUSION			
ITEM	FAB. DWG NO.	LENGTH (mm)	QTY
1	X85720-05W	3120	1
2	X85719-05W	3120	1
3	X85756-01-03W	778.5	1
4	X85756-01-03W	778.5	1
5	X85756-03-01W	2226	1
6	X85756-03-01W	2226	1
7	X85744-02W	721.5	1
8	X85744-02W	721.5	1
9	X85730-02-06W	692.5	1
10	X85731-02-06W	692.5	1
11	X85736-01-06W	692.5	1
12	X85743-01-09W	692.5	1
13	X85742-01-09W	692.5	1
13a	X85742-02-09W	692.5	1
14	X85461-01L	200	1
15	X85461-01R	200	1
16	X85752-01	250	1
17	X85751-01	50	11
18	X85738-01-04W	686.5	1
19	X85784-01-04W	692.5	1
20			
21			
22			
23			
24			

W-18B

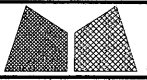
 美特鋁質有限公司 MIDI Aluminium Fabricator Ltd.		工程號 J851 地盘 青衣190	類別 制圖 W. E. X	物料號 - 2020-04-16	圖號 WFe-707.5H1-b1F
修改 日期	採用工廠 材料颜色 WHITE	地盘 ✓ 材料 -	图纸名称 单元组裝图 復核 - 批准 -	數量 - 單件重量 - (KG)	



○ ALUM. EXTRUSION			
ITEM	FAB. DWG NO.	LENGTH (mm)	QTY
1	X85720-06W	3120	1
2	X85719-06W	3120	1
3	X85756-01-03W	778.5	1
4	X85756-01-03W	778.5	1
5	X85756-03-01W	2226	1
6	X85756-03-01W	2226	1
7	X85744-02W	721.5	1
8	X85744-02W	721.5	1
9	X85730-02-06W	692.5	1
10	X85731-02-06W	692.5	1
11	X85736-01-06W	692.5	1
12	X85743-01-09W	692.5	1
13	X85742-01-09W	692.5	1
13a	X85742-02-09W	692.5	1
14	X85461-01L	200	1
15	X85461-01R	200	1
16	X85752-01	250	1
17	X85751-01	50	11
18	X85738-01-04W	686.5	1
19	X85784-01-04W	692.5	1
20			
21			
22			
23			
24			

◇ OTHERS (ALUM. & G.M.S. PARTS)			
ITEM	FAB. DWG NO.	LENGTH (mm)	QTY
41	BP-04-05W		1
	603.5 x 718.5 (BACK PANEL)		
42	AP-07LS		1
	3mm THK. ALUM. PLATE		
43	AP-07RS		1
	3mm THK. ALUM. PLATE		

W-19B



美特鋁質有限公司
MIDI Aluminium Fabricator Ltd.

工程號 J851
地盘 青衣190
图纸名称 单元组装图
材料 -

類別
制圖 W. E. X
復核 -
批准 -

物料號 -
圖號 WFe-1590H1-b2F
數量 -
單件重量 - (KG)

修改
日期

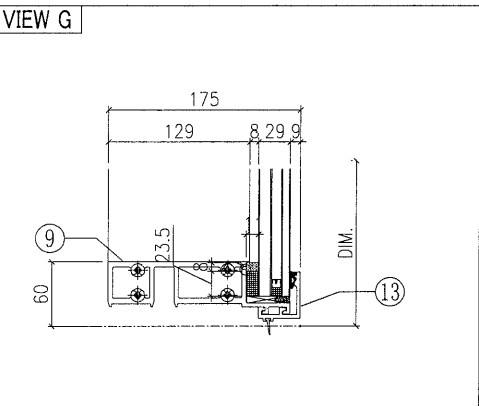
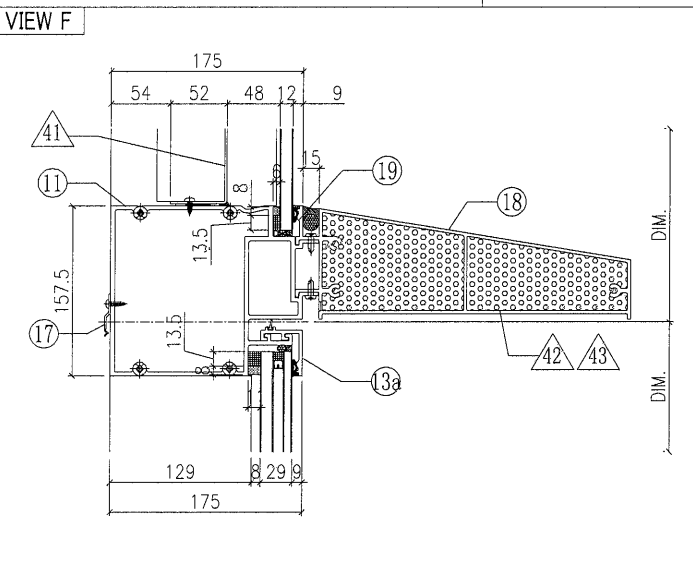
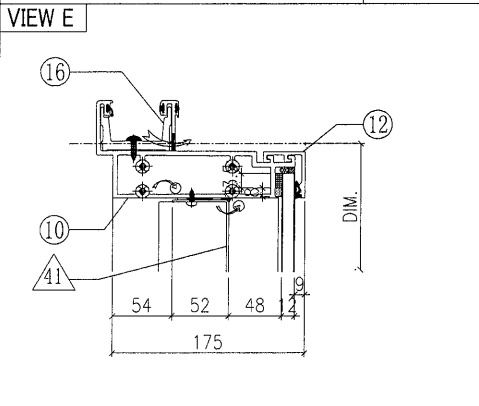
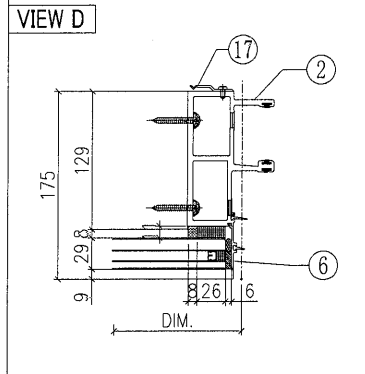
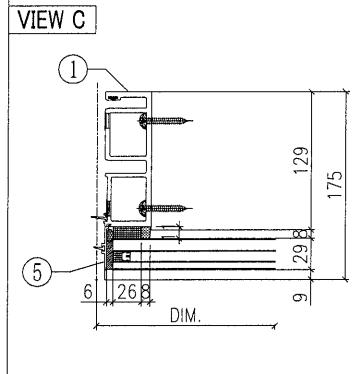
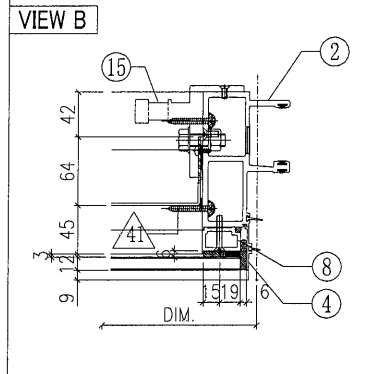
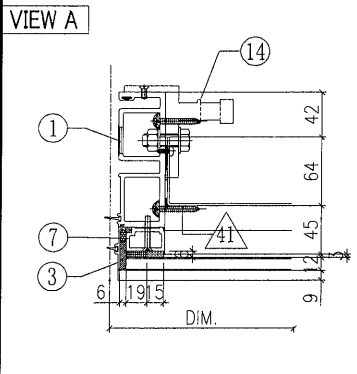
採用工廠
材料颜色 WHITE

地盤 ✓
材料

復核 -
批准 -

物料號 -
圖號 WFe-1590H1-b2F

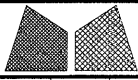
數量 -
單件重量 - (KG)



○ ALUM. EXTRUSION			
ITEM	FAB. DWG NO.	LENGTH (mm)	QTY
1	X85720-05W	3120	1
2	X85719-05W	3120	1
3	X85756-01-03W	778.5	1
4	X85756-01-03W	778.5	1
5	X85756-03-01W	2226	1
6	X85756-03-01W	2226	1
7	X85744-02W	721.5	1
8	X85744-02W	721.5	1
9	X85730-02-05W	1575	1
10	X85731-02-05W	1575	1
11	X85736-01-04W	1575	1
12	X85743-01-08W	1575	1
13	X85742-01-08W	1575	1
13a	X85742-02-08W	1575	1
14	X85461-01L	200	1
15	X85461-01R	200	1
16	X85752-01	250	1
17	X85751-01	50	14
18	X85738-01-02W	1569	1
19	X85784-01-02W	1575	1
20			
21			
22			
23			
24			

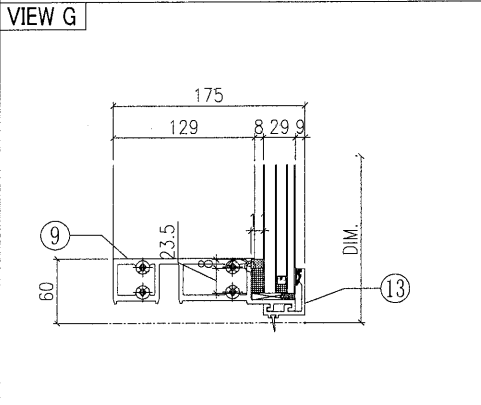
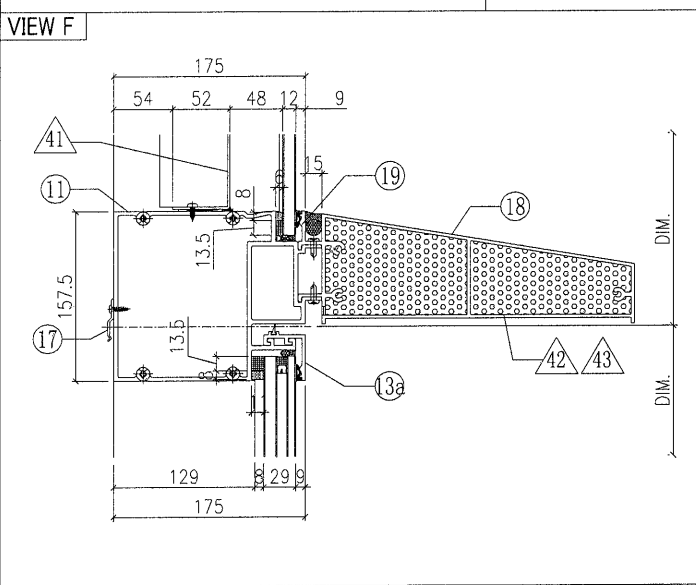
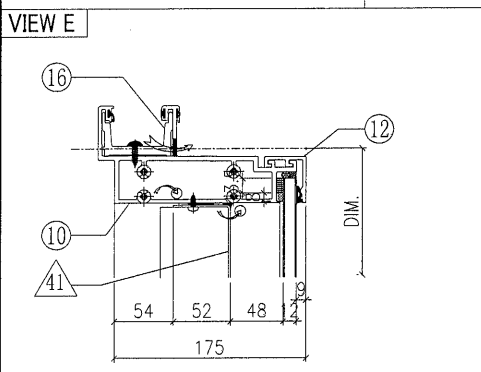
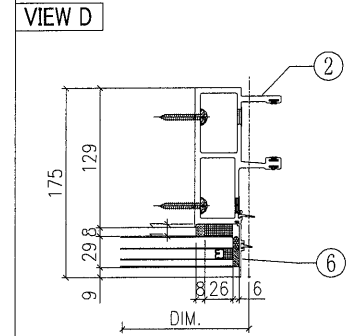
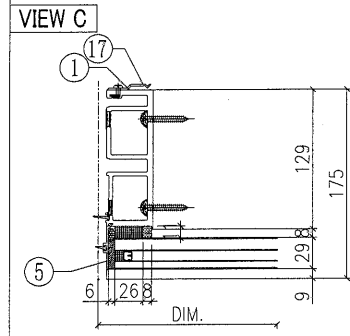
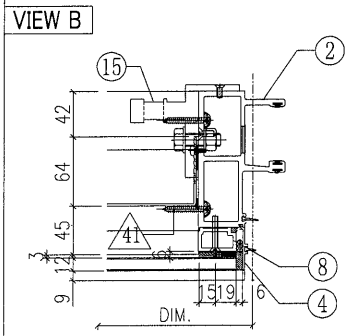
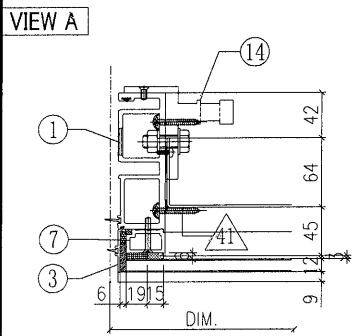
◇ OTHERS (ALUM. & G.M.S. PARTS)			
ITEM	FAB. DWG NO.	LENGTH (mm)	QTY
41	BP-04-06W		1
	1486 x718.5 (BACK PANEL)		
42	AP-07LS		1
	3mm THK. ALUM. PLATE		
43	AP-07RS		1
	3mm THK. ALUM. PLATE		

W-20B



美特鋁質有限公司
MIDI Aluminium Fabricator Ltd.

工程號	J851	類別		物料號	-	
地盘	青衣190	制圖	W. E. X	2020-04-16	圖號	WFe-1590H1-b1F
修改日期		採用工廠	地盤	✓	圖紙名稱	单元组装图
		材料颜色	WHITE		材料	-
					復核	-
					批准	-
					數量	-
					單件重量	(KG)



○ ALUM. EXTRUSION			
ITEM	FAB. DWG NO.	LENGTH (mm)	QTY
1	X85720-06W	3120	1
2	X85719-06W	3120	1
3	X85756-01-03W	778.5	1
4	X85756-01-03W	778.5	1
5	X85756-03-01W	2226	1
6	X85756-03-01W	2226	1
7	X85744-02W	721.5	1
8	X85744-02W	721.5	1
9	X85730-02-05W	1575	1
10	X85731-02-05W	1575	1
11	X85736-01-04W	1575	1
12	X85743-01-08W	1575	1
13	X85742-01-08W	1575	1
13a	X85742-02-08W	1575	1
14	X85461-01L	200	1
15	X85461-01R	200	1
16	X85752-01	250	1
17	X85751-01	50	14
18	X85738-01-02W	1569	1
19	X85784-01-02W	1575	1
20			
21			
22			
23			
24			

◇ OTHERS (ALUM. & G.M.S. PARTS)			
ITEM	FAB. DWG NO.	LENGTH (mm)	QTY
41	BP-04-06W		1
	1486 x 718.5 (BACK PANEL)		
42	AP-07LS		1
	3mm THK. ALUM. PLATE		
43	AP-07RS		1
	3mm THK. ALUM. PLATE		

W-22B