

工程指示 / 要求簡箋(E.I.)

工程指示編號：EI / 2793 / 21 修改版次：B
 工程編號：J851 工程名稱：青衣明翹匯
 工程項目：平台 Window Wall+更亭 - 廠用玻璃 BM
 收件人：Maggie Lor (羅小姐) 發件人：Yancy Chen 日期：05/03/2021

要求提供 / 確認 事項：

- | | | |
|------------------------------------|-------------------------------------|-------------------------------|
| <input type="checkbox"/> 初步鋁料 B.M. | <input type="checkbox"/> 加工拆圖，然後生產 | <input type="checkbox"/> 尺寸表 |
| <input type="checkbox"/> 正式鋁料 B.M. | <input type="checkbox"/> 技術上資料 / 指示 | <input type="checkbox"/> 報價 |
| <input type="checkbox"/> 配件 B.M. | <input type="checkbox"/> 樣辦或貨品說明書 | <input type="checkbox"/> 分判合約 |
| <input type="checkbox"/> 其他：_____ | | |

內容：

請按附件修改 BM 表及圖紙，可加工。(取代 EI2793A)

第一頁 BM 表送廠，第三頁 BM 表送地盤

請在 15/3/2021 前完成上列要求。

附：

1+2 頁

以上項目為：

- 原合約工程包 原合約工程加 / 減賬 新工程報價

原因：-

分發東莞各部門：

- () 生產技術總監 連附件 () 技術部 連附件 () 生產部 連附件 () 機械設計部 連附件
 () 採購部 連附件 (✓) 生產統籌部 連附件 梅華
 () 質檢部 連附件 () 會計部 連附件 () 報關組 連附件 () 其他 _____ 連附件

分發香港各部門：

- () 行政部 連附件 () 會計部 連附件 () 統籌部 連附件 (✓) 工程部地盤科文 連附件 許勝明
 () 採購部 連附件 () QS 部 連附件 () 維修部 連附件 () 其他 _____ 連附件

傳遞編號：


HK0429 / 21

發件人簽署：

Yancy Chen

項目經理簽署：

第一頁訂貨BM, E12793B是標清潔"顏色與類型"和注明交貨的地點

|  美特鋁質 有限公司 MIDI Aluminium Fabricator Ltd. | | 工程號: J-851 | 計算: | HHQ | 日期: | 8/12/2020 | 送呈: | 施哥 | |
|--|-------|----------------------|--|------------------------|---------------------------------|-----------|-----------|--------|----|
| 廠用玻璃B.M.表 | | 地盤名稱: 青衣明翹匯 | 核對: | | 日期: | | 副本: | | |
| 項目類別: WINDOW WALL+更亭 | | 批准: | | | 日期: | | A/C Code: | | |
| 修改版次: E12793 B版次 | | 總計玻璃面積 (平方米): 97.300 | | 此BM依據 20210204收到6th 修改 | | | | | |
| 序號 | 修改內容 | 玻璃圖號 | 顏色與類型 | 厚度 (mm) | 玻璃尺寸 | 數量 (塊) | 總面積 (平方米) | 位置 | 備注 |
| 1 | A(修改) | J851-WW-G01 | 12mm THK. CLEAR TEMPERED GLASS (GL07) 三鑫玻璃樣板編號: D19110488(12C)強化玻璃 | 12 | 寬度 (mm) 654.0 高度 (mm) 3783.0 | 1 | 2.474 | | 送廠 |
| 2 | A(修改) | J851-WW-G02 | | 12 | 1755.0 338.0 | 1 | 0.593 | | 送廠 |
| 3 | A(修改) | J851-WW-G03 | | 12 | 1755.0 978.0 | 1 | 1.716 | | 送廠 |
| 4 | A(修改) | J851-WW-G04 | | 12 | 645.0 3783.0 | 1 | 2.440 | | 送廠 |
| 5 | A(修改) | J851-WW-G05 | 12mm THK. GREY BLUE TEMPERED GLASS (GL02) 三鑫玻璃樣板編號: D20010211(12SSC1-60T(HS))強化玻璃 | 12 | 664.5 3783.0 | 1 | 2.514 | | 送廠 |
| 6 | A(修改) | J851-WW-G06 | | 12 | 1675.0 738.0 | 1 | 1.236 | | 送廠 |
| 7 | A(修改) | J851-WW-G07 | | 12 | 1675.0 578.0 | 1 | 0.968 | | 送廠 |
| 8 | A(修改) | J851-WW-G08 | | 12 | 664.5 3783.0 | 1 | 2.514 | | 送廠 |
| 9 | A(修改) | J851-WW-G09 | 12mm THK. CLEAR TEMPERED GLASS (GL07) 三鑫玻璃樣板編號: D19110488(12C)強化玻璃 | 12 | 830.0 2345.0 | 1 | 1.946 | | 送廠 |
| 9 | A(新增) | J851-WW-G09a | | 12 | 830.0 3423.0 | 1 | 2.841 | | 送廠 |
| 10 | A(修改) | J851-WW-G10 | | 12 | 1675.0 2338.0 | 1 | 3.916 | | 送廠 |
| 11 | A(修改) | J851-WW-G11 | | 12 | 1675.0 978.0 | 1 | 1.638 | | 送廠 |
| 12 | A(修改) | J851-WW-G12 | 12mm THK. CLEAR TEMPERED GLASS (GL07) 三鑫玻璃樣板編號: D19110488(12C)強化玻璃 | 12 | 839.5 2345.0 | 1 | 1.969 | | 送廠 |
| 12a | A(新增) | J851-WW-G12a | | 12 | 839.5 3423.0 | 1 | 2.874 | | 送廠 |
| 13 | A(修改) | J851-WW-G13 | | 12 | 1339.0 3523.0 | 4 | 18.869 | | 送廠 |
| 14 | A(修改) | J851-WW-G14 | | 12 | 1339.0 1078.0 | 1 | 1.443 | | 送廠 |
| 15 | A(修改) | J851-WW-G16 | 12mm THK. CLEAR TEMPERED GLASS (GL07) 三鑫玻璃樣板編號: D19110488(12C)強化玻璃 | 12 | 1427.5 3523.0 | 4 | 20.116 | | 送廠 |
| 16 | A(修改) | J851-WW-G17 | | 12 | 1334.0 3523.0 | 5 | 23.498 | | 送廠 |
| 17 | A(修改) | J851-WW-G18 | | 12 | 1154.0 1617.5 | 2 | 3.733 | | 送廠 |
| | | | | | | 面積 | | 97.300 | |

- 1).本表中所有玻璃對角線尺寸偏差要求不超過正負2mm。
- 2).本表中玻璃要求粗磨邊處理並倒棱角。
- 3).本表中所有強化玻璃均需HEAT SOAK TEST。
- 4).本表中所有強化玻璃之入爐方向均以寬度方向進入。
- 6).本表中所有玻璃成品均需注明室內外面及其玻璃編號，以便識別。

第二頁 此紙只供參考, 請按第一頁訂貨. 請按第一頁訂貨.

第二頁, 此BM只供參考, 請按第一頁訂貨

| 美特鋁質 MIDI Aluminium Fabricator Ltd. | | 工程號: J-851 | 計算: | XYB | 日期: | 5/3/2021 | 送呈: | 施哥 | |
|--|-------|---------------------|--|---------|-------------------------|----------|-----------|----|------------------------|
| 地盤名稱: 青衣明邨匯 | | 核對: | XYB | 日期: | 5/3/2021 | 送呈: | 副本: | | |
| 項目類別: WINDOW WALL+更亭 | | 批准: | XYB | 日期: | 5/3/2021 | 送呈: | A/C Code: | | |
| BM編號: | | 修改版次: EI2793 B版次 | 總計玻璃面積 (平方米): 97.300 | | | | | | 此BM依據 20210204收到6th 修改 |
| 序號 | 修改內容 | 玻璃圖號 | 顏色與類型 | 厚度 (mm) | 玻璃尺寸 寬度 (mm) 高度 (mm) | 數量 (塊) | 總面積 (平方米) | 備註 | |
| 1 | A(修改) | J851-WW-G01 | 12mm THK. CLEAR | 12 | 654.0 3783.0 | 1 | 2.474 | 送廠 | |
| 2 | A(修改) | J851-WW-G02 | TEMPERED GLASS (GL07) | 12 | 1755.0 338.0 | 1 | 0.593 | 送廠 | |
| 3 | A(修改) | J851-WW-G03 | 三鑫玻璃樣板編號: D19110488(12C)強化玻璃 | 12 | 1755.0 978.0 | 1 | 1.716 | 送廠 | |
| 4 | A(修改) | J851-WW-G04 | | 12 | 645.0 3783.0 | 1 | 2.440 | 送廠 | |
| 5 | A(修改) | J851-WW-G05 | | 12 | 664.5 3783.0 | 1 | 2.514 | 送廠 | |
| 6 | A(修改) | J851-WW-G06 | | 12 | 1675.0 738.0 | 1 | 1.236 | 送廠 | |
| 7 | A(修改) | J851-WW-G07 | | 12 | 1675.0 578.0 | 1 | 0.968 | 送廠 | |
| 8 | A(修改) | J851-WW-G08 | 12mm THK. GREY BLUE | 12 | 664.5 3783.0 | 1 | 2.514 | 送廠 | |
| 9 | A(修改) | J851-WW-G09 | TEMPERED GLASS (GL02) | 12 | 830.0 2345.0 | 1 | 1.946 | 送廠 | |
| 9 | A(新增) | J851-WW-G09a | 三鑫玻璃樣板編號: D20010211(12SSC1-60T(HS))強化玻璃 | 12 | 830.0 3423.0 | 1 | 2.841 | 送廠 | |
| 10 | A(修改) | J851-WW-G10 | | 12 | 1675.0 2338.0 | 1 | 3.916 | 送廠 | |
| 11 | A(修改) | J851-WW-G11 | | 12 | 1675.0 978.0 | 1 | 1.638 | 送廠 | |
| 12 | A(修改) | J851-WW-G12 | | 12 | 839.5 2345.0 | 1 | 1.969 | 送廠 | |
| 12a | A(新增) | J851-WW-G12a | | 12 | 839.5 3423.0 | 1 | 2.874 | 送廠 | |
| 13 | A(修改) | J851-WW-G13 | 12mm THK. CLEAR | 12 | 1339.0 3523.0 | 4 | 18.869 | 送廠 | |
| 14 | A(修改) | J851-WW-G14 | TEMPERED GLASS (GL07) | 12 | 1339.0 1078.0 | 1 | 1.443 | 送廠 | |
| 15 | A(修改) | J851-WW-G16 | 三鑫玻璃樣板編號: D19110488(12C)強化玻璃 | 12 | 1427.5 3523.0 | 4 | 20.116 | 送廠 | |
| 16 | A(修改) | J851-WW-G17 | | 12 | 1334.0 3523.0 | 5 | 23.498 | 送廠 | |
| 17 | A(修改) | J851-WW-G18 | | 12 | 1154.0 1617.5 | 2 | 3.733 | 送廠 | |
| | | | | | | 面積 | 97.300 | | |

1). 本表中所有玻璃對角線尺寸偏差要求不超過正負2mm。

2). 本表中玻璃要求粗磨邊處理並倒棱角。


3). 本表中所有強化玻璃均需HEAT SOAK TEST。

4). 本表中所有強化玻璃之入爐方向均以寬度方向進入。

6). 本表中所有玻璃成品均需注明室內外面及其玻璃編號, 以便識別。

第三頁 訂貨 BM

第三頁訂貨BM, 訂貨BM EI2793B是標清潔"顏色與類型"和注明交貨的地點

|  | | 工程號: J-851 | 計算: | HHQ | 日期: | 8/12/2020 | 送呈: | 施哥 | | |
|---|-------|-------------------------|---|---------|---------|------------------------|-----------|-----------|--------|-----|
| MIDI Aluminium Fabricator Ltd. | | 地盤名稱: 青衣明翹匯 | 核對: | | 日期: | | 副本: | | | |
| 地盤用玻璃B.M.表 | | 項目類別: WINDOW WALL+更亭批准: | | | 日期: | | A/C Code: | | | |
| BM編號: | | 修改版次: EI2793 B版次 | 總計玻璃面積 (平方米): | | 103.681 | 此BM依據 20210204收到6th 修改 | | | | |
| 序號 | 修改內容 | 玻璃圖號 | 顏色與類型 | 厚度 (mm) | 玻璃尺寸 | | 數量 (塊) | 總面積 (平方米) | 位置 | 備注 |
| | | | | | 寬度 (mm) | 高度 (mm) | | | | |
| 18 | | J851-WW-G19 | | 12 | 980.0 | 1851.0 | 2 | 3.628 | 門玻璃 | 送地盤 |
| 19 | A(修改) | J851-WW-G20 | | 12 | 1154.0 | 3502.0 | 19 | 76.785 | | 送地盤 |
| 20 | A(修改) | J851-WW-G21 | | 12 | 554.0 | 2202.5 | 1 | 1.220 | | 送地盤 |
| 21 | A(修改) | J851-WW-G22 | | 12 | 1156.0 | 2202.5 | 6 | 15.277 | | 送地盤 |
| 22 | A(修改) | J851-WW-G23 | | 12 | 1044.0 | 2202.5 | 1 | 2.299 | | 送地盤 |
| 23 | 新增 | J851-LG/W2-G1 | CLEAR GLASS (12mm) w/ FROSTED TEXTURE AT INNER SURFACE | 12 | 710.0 | 2302.0 | 1 | 1.634 | 更亭門窗玻璃 | 送地盤 |
| 24 | 新增 | J851-LG/W3-G1 | 12mm THK. CLEAR TEMPERED GLASS (GL07) 三鑫玻璃樣板編號: D19110488(12C)強化玻璃 | 12 | 832.0 | 467.0 | 1 | 0.389 | 更亭門窗玻璃 | 送地盤 |
| 25 | 新增 | J851-LG/W4-G1 | | 12 | 466.0 | 934.0 | 2 | 0.870 | 更亭門窗玻璃 | 送地盤 |
| 26 | 新增 | J851-LG/W4-G2 | | 12 | 429.0 | 934.0 | 3 | 1.202 | 更亭門窗玻璃 | 送地盤 |
| 27 | 新增 | J851-LG/W3-G2 | | 12 | 574.0 | 328.0 | 2 | 0.377 | 更亭門窗玻璃 | 送地盤 |
| | | | | | | 面積 | | 103.681 | | |
| 1).本表中所有玻璃對角線尺寸偏差要求不超過正負2mm。 | | | | | | | | | | |
| 2).本表中玻璃要求粗磨邊處理並倒棱角。 | | | | | | | | | | |
| 3).本表中所有強化玻璃均需HEAT SOAK TEST。 | | | | | | | | | | |
| 4).本表中所有強化玻璃之入爐方向均以寬度方向進入。 | | | | | | | | | | |
| 6).本表中所有玻璃成品均需注明室內外面及其玻璃編號,以便識別。 | | | | | | | | | | |

第四頁. 此BM只供參考, 請按第三頁訂貨. 請按第三頁訂貨.

第四頁, 此BM只供參考, 請按第三頁訂貨

| 美特鋁質 MIDI Aluminium Fabricator Ltd. | | 工程號: | J-851 | 計算: | XYB | 日期: | 5/3/2021 | 送呈: | 施哥 |
|--|-------|---------------|---|---------------|-------------------------|---------|------------------------|-----------|-----|
| 地盤用玻璃B.M.表 | | 地盤名稱: | 青衣明耀匯 | 核對: | | 日期: | | 副本: | |
| | | 項目類別: | WINDOW WALL+更亭 | 批准: | | 日期: | | A/C Code: | |
| BM編號: | 修改版次: | EI2793 B版次 | | 總計玻璃面積 (平方米): | | 103.681 | 此BM依據 20210204收到6th 修改 | | |
| 序號 | 修改內容 | 玻璃圖號 | 顏色與類型 | 厚度 (mm) | 玻璃尺寸 寬度 (mm) 高度 (mm) | 數量 (塊) | 總面積 (平方米) | 位置 | 備注 |
| 18 | | J851-WW-G19 | | 12 | 980.0 1851.0 | 2 | 3.628 | 門玻璃 | 送地盤 |
| 19 | A(修改) | J851-WW-G20 | | 12 | 1154.0 3502.0 | 19 | 76.785 | | 送地盤 |
| 20 | A(修改) | J851-WW-G21 | | 12 | 554.0 2202.5 | 1 | 1.220 | | 送地盤 |
| 21 | A(修改) | J851-WW-G22 | | 12 | 1156.0 2202.5 | 6 | 15.277 | | 送地盤 |
| 22 | A(修改) | J851-WW-G23 | | 12 | 1044.0 2202.5 | 1 | 2.299 | | 送地盤 |
| 23 | 新增 | J851-LG/W2-G1 | CLEAR GLASS (12mm) w/ FROSTED TEXTURE AT INNER SURFACE | 12 | 710.0 2302.0 | 1 | 1.634 | 更亭門窗玻璃 | 送地盤 |
| 24 | 新增 | J851-LG/W3-G1 | 12mm THK. CLEAR TEMPERED GLASS (GL07) 三鑫玻璃樣板編號: D19110488(12C)強化玻璃 | 12 | 832.0 467.0 | 1 | 0.389 | 更亭門窗玻璃 | 送地盤 |
| 25 | 新增 | J851-LG/W4-G1 | | 12 | 466.0 934.0 | 2 | 0.870 | 更亭門窗玻璃 | 送地盤 |
| 26 | 新增 | J851-LG/W4-G2 | | 12 | 429.0 934.0 | 3 | 1.202 | 更亭門窗玻璃 | 送地盤 |
| 27 | 新增 | J851-LG/W3-G2 | | 12 | 574.0 328.0 | 2 | 0.377 | 更亭門窗玻璃 | 送地盤 |
| | | | | | | | 面積 | 103.681 | |

- 1). 本表中所有玻璃對角線尺寸偏差要求不超過正負2mm。
- 2). 本表中玻璃要求粗磨邊處理並倒棱角。
- 3). 本表中所有強化玻璃均需HEAT SOAK TEST。
- 4). 本表中所有強化玻璃之入爐方向均以寬度方向進入。
- 6). 本表中所有玻璃成品均需注明室內外面及其玻璃編號, 以便識別。

R.D. REF :
 F.S.D. REF :
 Note:
 1. All dimensions are in mm.
 2. All elevations are viewed from outside.
 3. All dimensions to be verified on site before fabrication.

GENERAL NOTES


- Legend:
- 1. F.F.L. --- Finished Floor Level
 - 2. S.F.L. --- Structural Floor Level
 - 3. (R) --- Reversed Detail
- DETAIL MARK NO.
 SHEET NO.
- (X1) (X101)
 (EM-P1) --- EMBE TYPE(A-P1)
 (EM-P2) --- EMBE TYPE(B-P2)
 (EM-P3) --- EMBE TYPE(C-P3)
 (EM-P4) --- EMBE TYPE(D-P4)
 (EM-P5) --- EMBE TYPE(E-P5)

| NO. | DATE | REVISION | BY |
|---------------|---------------------------|----------|----|
| D 106-10-2020 | AS PER ARCHITECT COMMENTS | | |
| G 135-06-2020 | GENERAL REVISION | | |
| A 21-04-2020 | AS PER ARCHITECT COMMENTS | | |

CLIENT:
 住明集團控股有限公司
 GRAND MING GROUP HOLDINGS LIMITED

MAIN CONTRACTOR:
 GRAND TECH CONSTRUCTION CO. LTD.

ARCHITECT:
 WONG TUNG & PARTNERS LIMITED

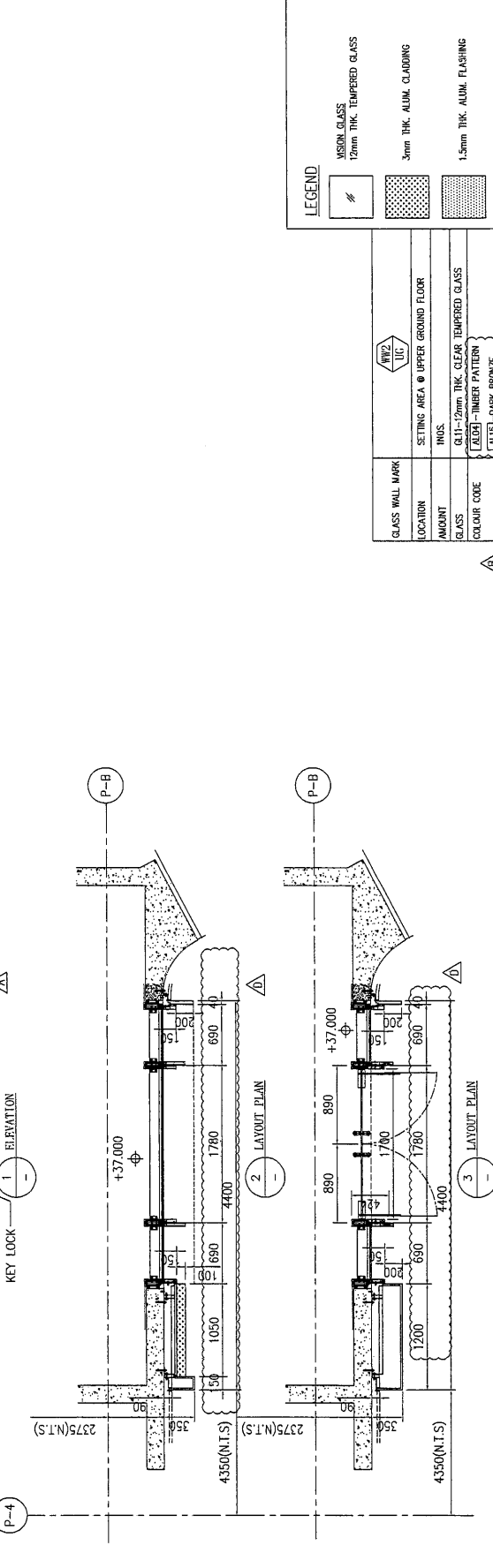
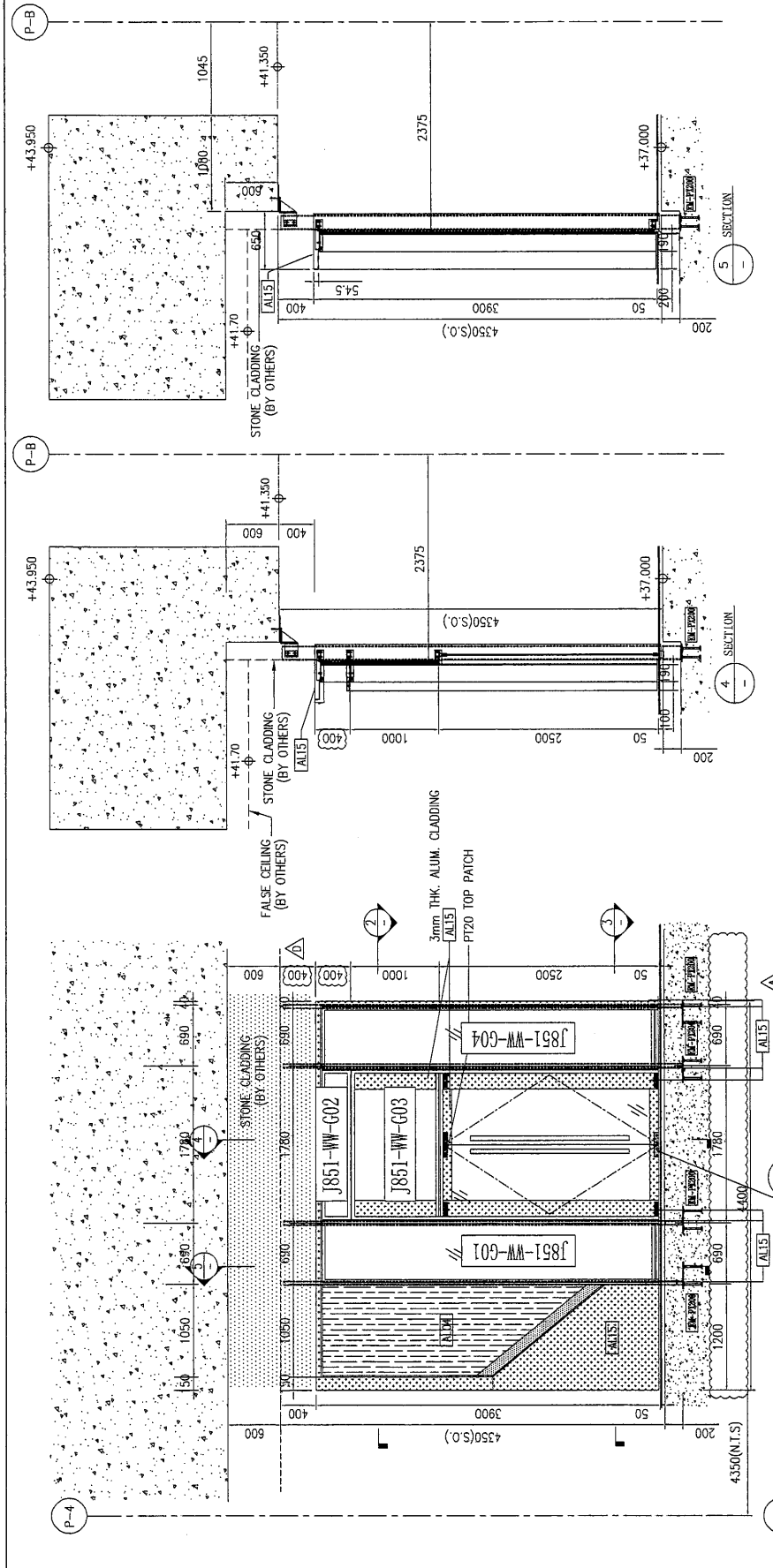

STRUCTURAL ENGINEER:
 ICMA
 C M WONG & ASSOCIATES LTD


美特鋁質有限公司
 MTDI ALUMINIUM FABRICATOR LTD.
 Units 6-8, Sunco Industrial Centre, 1/F
 810 Chee Koo Ling Road, Kowloon
 Tel: 23489211-4 Fax: (852) 23777866

PROJECT:
 RESIDENTIAL DEVELOPMENT AT
 TUNG TOWN LOT 190 SAN SHAN ROAD

TITLE:
 PARTIAL ELEVATION, SECTION & PLAN
 FOR WINDOW WALL

JOB NO.: J-851
 DRAWN BY: LS
 DATE: 22-06-2020
 CHECK BY:
 SCALE: A1: 1/50
 DWG. NO.: J851-WW-PED3
 REV.: D



AD. REF :
 F.S.D. REF :
 NOTE:
 1. All dimensions are in mm.
 2. All elevations are viewed from outside.
 3. All dimensions to be verified on site before fabrication.

GENERAL NOTES
 Legend:
 1. PFL --- Finished Floor Level
 2. SFL --- Structural Floor Level
 3. RL --- Revised Detail
 X1
 X007
 (DETAIL MARK NO. REFER SHEET NO.)
 (EMBED TYPE(DH-P9))
 (EMBED TYPE(DH-P9))
 (EMBED TYPE(DH-P9))
 (EMBED TYPE(DH-P200))

| NO. | DATE | REVISION |
|--------------|------|---------------------------|
| E.11-01-2021 | | GENERAL REVISION |
| D.08-10-2020 | | AS PER ARCHITECT COMMENTS |
| C.11-06-2020 | | AS PER ARCHITECT COMMENTS |
| B.12-06-2020 | | AS PER ARCHITECT COMMENTS |
| A.12-04-2020 | | AS PER ARCHITECT COMMENTS |

CLIENT :
佳兆業集團控股有限公司
 GRAND MING GROUP HOLDINGS LIMITED

MAIN CONTRACTOR :
GRAND TECH CONSTRUCTION CO. LTD.

ARCHITECT :
WORKING PARTNERS LIMITED

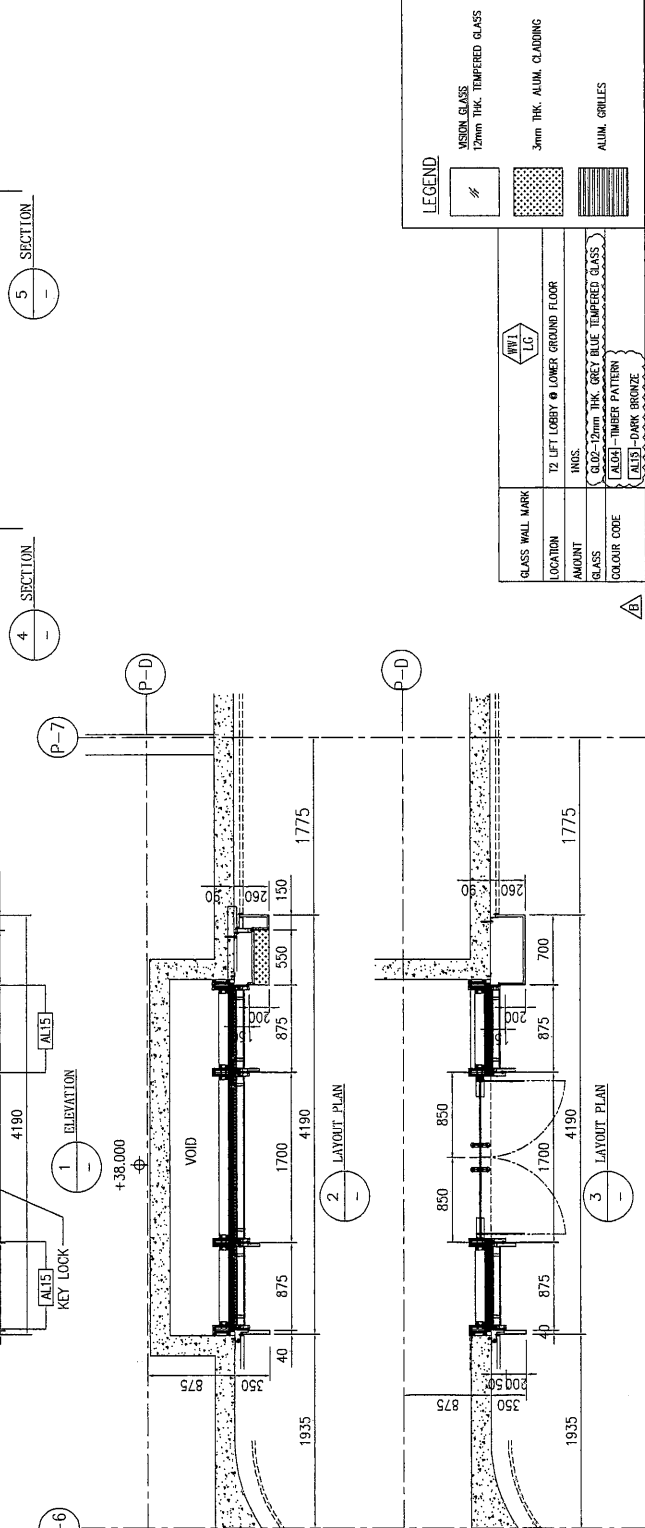
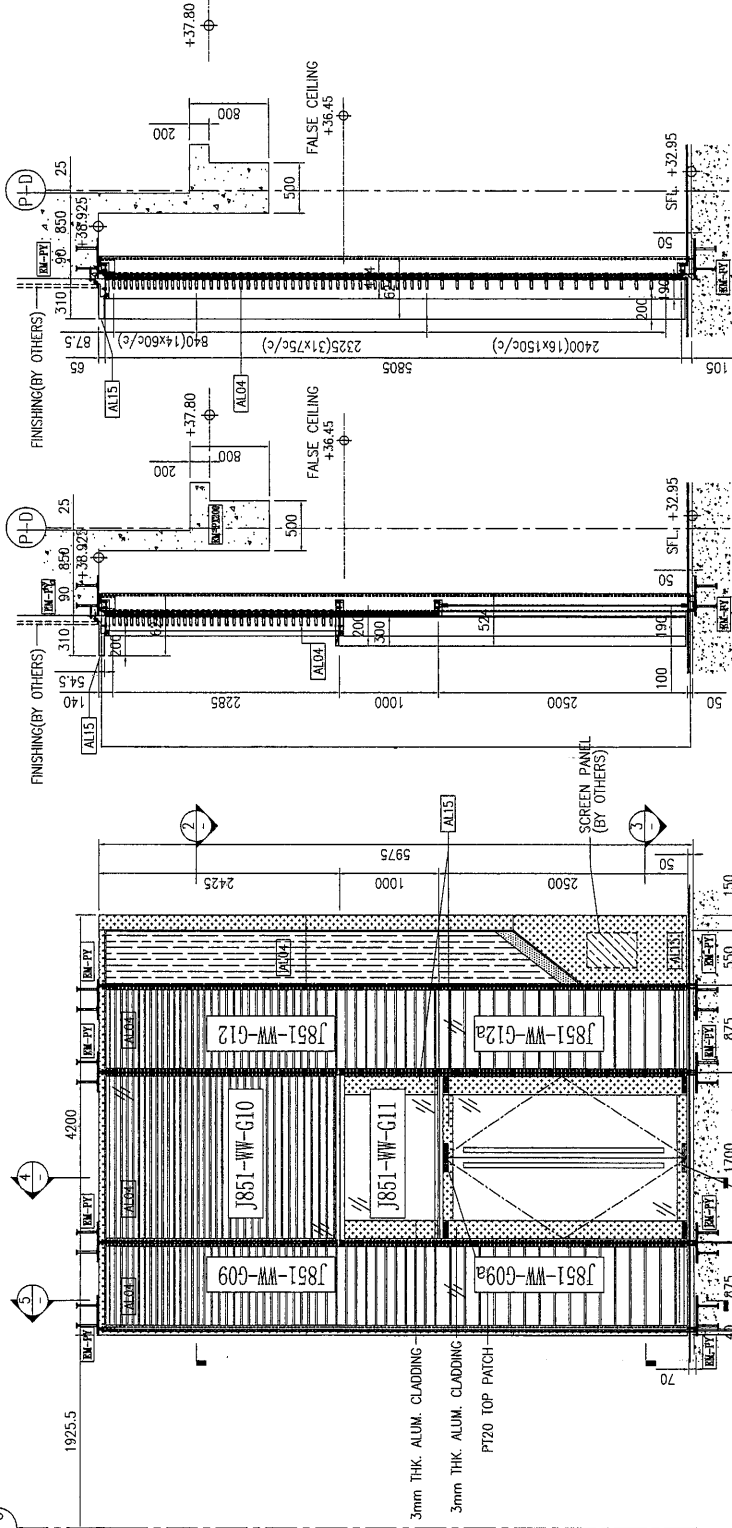
STRUCTURAL ENGINEER :
C.M.WONG & ASSOCIATES LTD

美特鋁質有限公司
 MIDTI ALUMINIUM FABRICATOR LTD.
 Units 6-8, Sunny Industrial Centre, 1/F
 810 Chee Koo Ling Road, Kwun Tong
 Tel: 246211-4 Fax: (852) 2727286

PROJECT :
 RESIDENTIAL DEVELOPMENT AT
 TSANG TOWN LOT 191 SAI SHAN ROAD

TITLE :
 PARTIAL ELEVATION, SECTION & PLAN
 FOR WINDOW WALL

JOB NO. : J-851
 DRAWN BY : LS
 DATE : 22-06-2020
 CHG BY :
 SCALE : A1:
 A3: 1:50
 DWG. NO. : JB51-WW-PED1
 REV. : E



LEGEND

| | |
|--|--|
| | VISION GLASS 12mm THK. TEMPERED GLASS |
| | 3mm THK. ALUM. CLADDING |
| | ALUM. GRILLES |

| GLASS WALL MARK | LOCATION | INCS. | AMOUNT |
|-----------------|------------------------------------|-------|--------|
| W1 | T2 LEFT LOBBY @ LOWER GROUND FLOOR | | |
| G102 | 12mm THK. GREY BLUE TEMPERED GLASS | | |
| AL03 | TIMBER PATTERN | | |
| ALU15 | DARK BRONZE | | |

B.D. REF :
 F.S.D. REF :
 Note :
 1. All dimensions are in mm.
 2. All elevations are viewed from outside.
 3. All dimensions are to be verified on site before fabrication.

GENERAL NOTES

- Legend :
1. F.F.L. --- Finished Floor Level
 2. S.F.L. --- Structure Floor Level
 3. R.F.L. --- Reversed Detail
- X11 --- DETAIL MARK NO.
 X007 --- REFER SHEET NO.
- BM-PA --- 美特铝质有限公司
 BM-PP --- 美特铝质有限公司
 BM-PZ --- 美特铝质有限公司
 BM-P3 --- 美特铝质有限公司

| NO. | DATE | REVISION | BY |
|-----|------------|-------------------------------|-----|
| 0 | 02-2021 | GENERAL REVISION | LUO |
| 1 | 02-2021 | GENERAL REVISION COMMENTS | LUO |
| 2 | 02-2021 | GENERAL REVISION | LUO |
| 3 | 02-2021 | GENERAL REVISION | LUO |
| A | 21-04-2020 | AS PER ARCHITECT COMMENTS LUO | LUO |

CLIENT :
 佳明集團控股有限公司
 GRAND MING GROUP HOLDINGS LIMITED

MAIN CONTRACTOR :
 GRAND TECH CONSTRUCTION CO. LTD.

ARCHITECT :
 WONG SANG & ASSOCIATES LIMITED
 ARCHITECTS IN HONG KONG

STRUCTURAL ENGINEER :
 C.M. WONG & ASSOCIATES LTD
 STRUCTURAL ENGINEERS

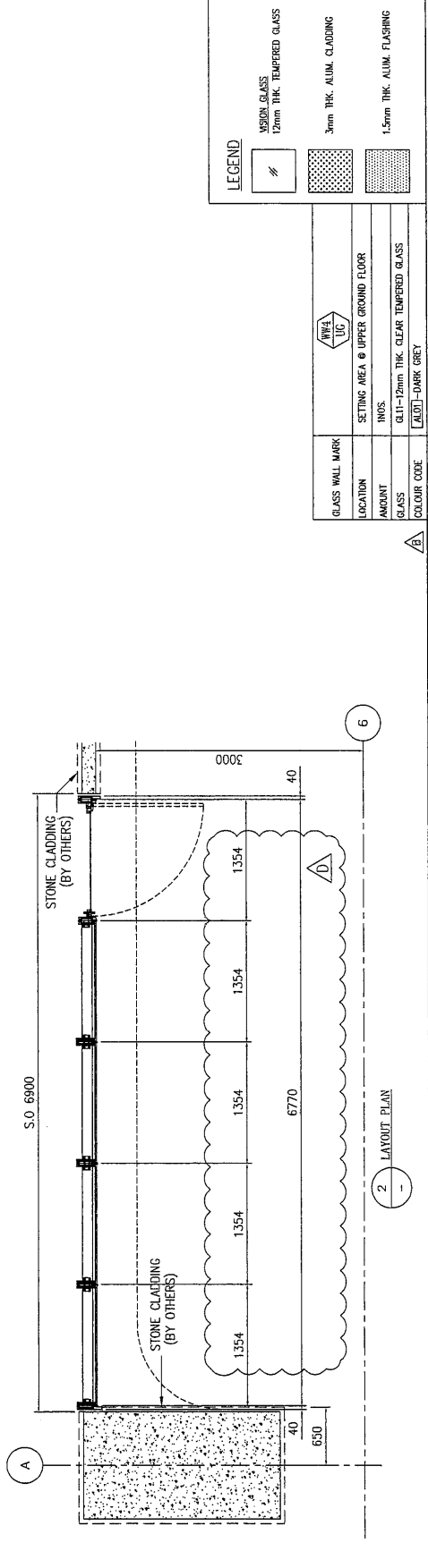
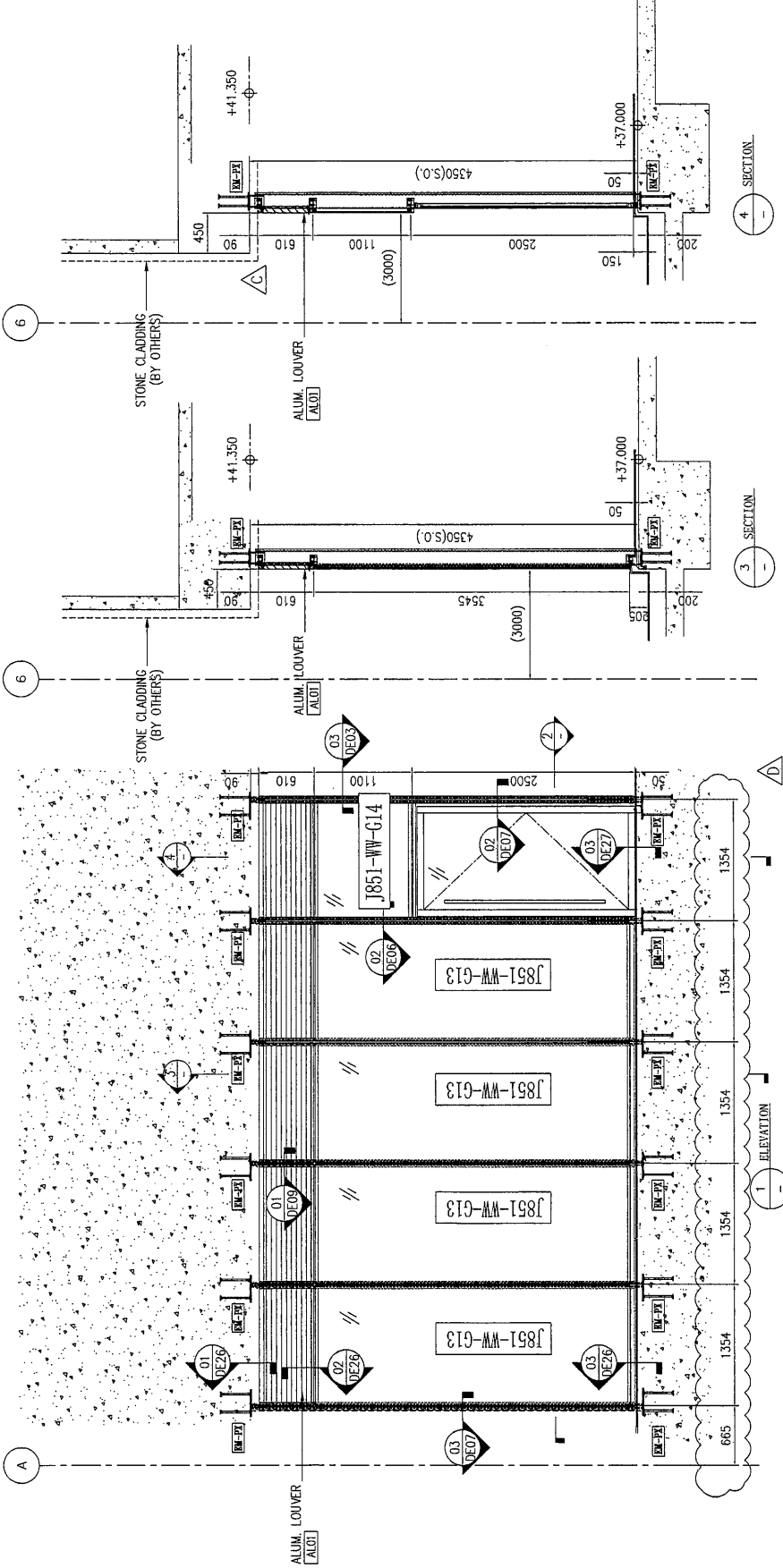
美特铝质有限公司
 MIDDI ALUMINIUM FABRICATOR LTD.
 Units 6-8, Sunny Industrial Centre, 1/F
 810 Chee Koo Ling Road, Kwun Tong
 TEL: 246211-4 Fax: (852) 2727888

PROJECT :
 RESIDENTIAL DEVELOPMENT AT
 TSING YI TOWN LOT 188 SAI SHAN ROAD

TITLE :
 PARTIAL ELEVATION, SECTION & PLAN
 FOR WINDOW WALL

JOB NO. : J-851
 DRAWN BY : LS
 DATE : 22-06-2020
 SCALE : A1: 1:50
 A2: 1:50

DWG. NO. : J851-WW-PD04
 REV. : D



LEGEND

| | |
|--|-------------------------------|
| VISION GLASS 12mm THK. TEMPERED GLASS | STONE CLADDING (BY OTHERS) |
| 3mm THK. ALUM. CLADDING | ALUM. LOUVER [AL01] |
| 1.5mm THK. ALUM. FLASHING | GLASS WALL MARK [AWH UC] |

| GLASS WALL MARK | SETTING AREA @ UPPER GROUND FLOOR |
|-----------------|-------------------------------------|
| LOCATION | INOS |
| AMOUNT | GL11-12mm THK. CLEAR TEMPERED GLASS |
| GLASS | [AL01]-DARK GREY |
| COLOUR CODE | |

B.D. REF :
 F.S.D. REF :
 Note:
 1. All dimensions are in mm.
 2. All elevations are viewed from outside.
 3. All dimensions to be verified on site before fabrication.

GENERAL NOTES
 Legend:
 1. PFL --- Filled Floor Level
 2. SFL --- Structural Floor Level
 3. RL --- Reduced Detail
 4. (X1) --- METAL MARK NO.
 (X001) --- SHEET NO.
 (MC-20) --- CMBD TYPE(MC-20)
 (MC-21) --- CMBD TYPE(MC-21)
 (MC-22) --- CMBD TYPE(MC-22)
 (MC-23) --- CMBD TYPE(MC-23)

| NO. | DATE | REVISION | BY |
|-----|------------|---------------------------|-----|
| 1 | 17-05-2024 | GENERAL REVISION | LUO |
| 2 | 17-05-2024 | GENERAL REVISION | LUO |
| 3 | 21-04-2020 | AS PER ARCHITECT COMMENTS | LUO |

CLIENT :
 佳明集團控股有限公司
 GRAND MING GROUP HOLDINGS LIMITED

MAIN CONTRACTOR :
 GRAND TECH CONSTRUCTION CO. LTD.

ARCHITECT :
 WONG TUNG & PARTNERS LIMITED

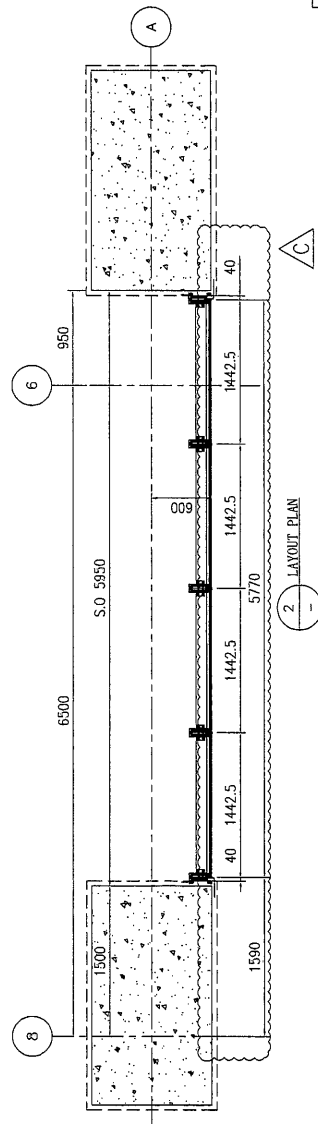
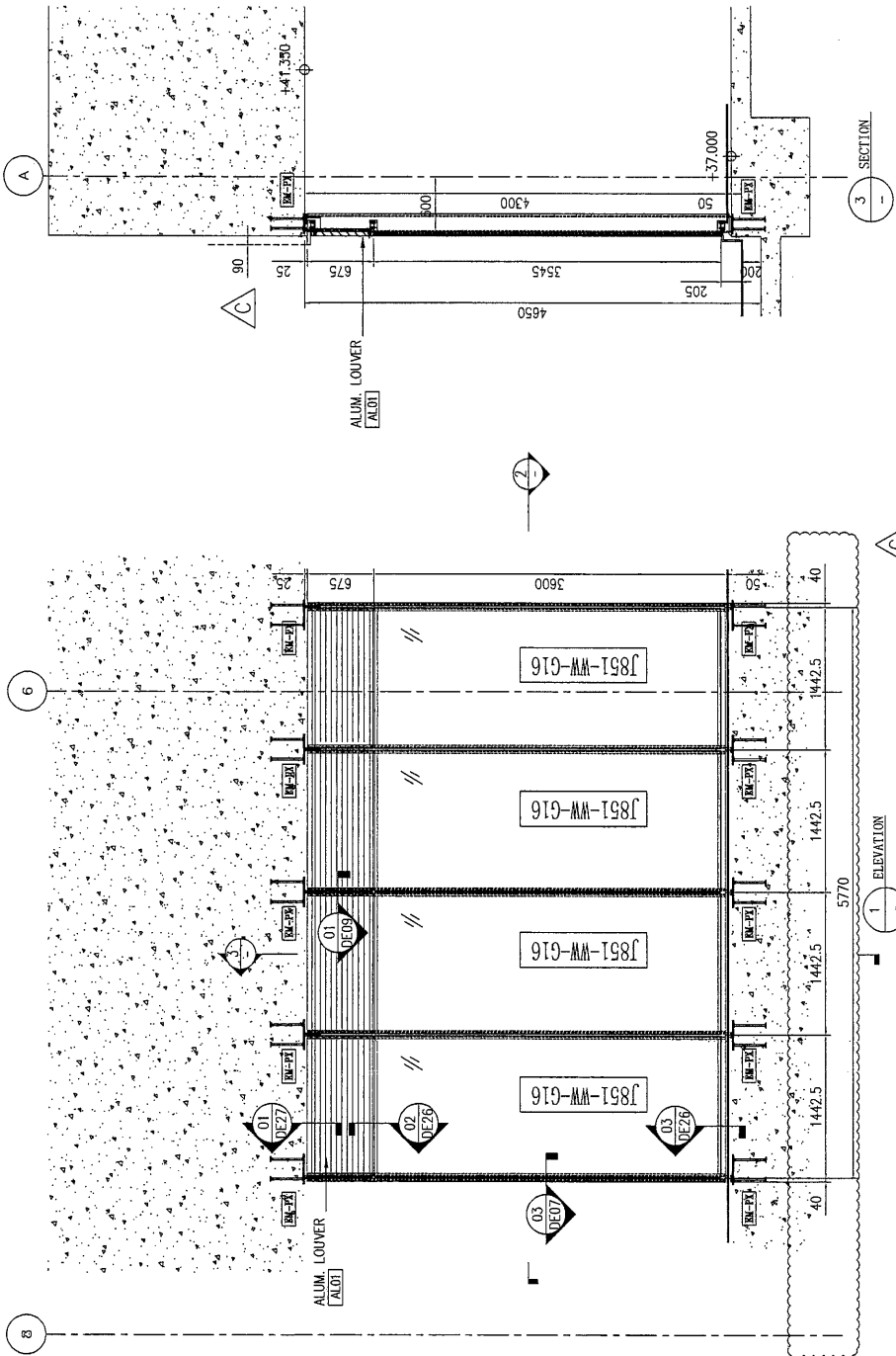
STRUCTURAL ENGINEER :
 C M WONG & ASSOCIATES LTD

美特鋁質有限公司
 MTDI Aluminium Fabricator Ltd.
 11th, 6-8, Sunco Industrial Centre, 1/F
 810, Chee Kwo Ling Road, Kowloon
 Tel: 2418211-4 Fax: (852) 2727686

PROJECT :
 RESIDENTIAL DEVELOPMENT AT
 TSING NI TOWN LOT 19 SA SHAM ROAD

TITLE :
 PARTIAL ELEVATION, SECTION & PLAN
 FOR WINDOW WALL

JOB NO. : J-851
 DRAWN BY : LS DATE : 22-01-2020
 CHECK BY : SCALE : A1: 1/30
 DWG. NO. : J851-WW-PE05 REV. : C



LEGEND

| | |
|--|--------------------------|
| | 12mm THK TEMPERED GLASS |
| | 3mm THK ALUM. CLADDING |
| | 1.5mm THK ALUM. FLASHING |

| GLASS WALL MARK | SETTING AREA @ UPPER GROUND FLOOR |
|-----------------|-----------------------------------|
| LOCATION | W/W |
| AMOUNT | W/W |
| GLASS | GLU-12mm THK CLEAR TEMPERED GLASS |
| COLOR CODE | ALU-1 MARK GREY |

BD. REF :
 F.S.D. REF :
 Note:
 1. All dimensions are in mm.
 2. All elevations are viewed from outside.
 3. All dimensions to be verified on site.


GENERAL NOTES
Legend:
 1. F.F.L. --- Finished Floor Level
 2. S.F.L. --- Structural Floor Level
 3. R.F.L. --- Reversed Data
 X1 --- RETAIL MARK NO.
 X101 --- REFER SHEET NO.
 BM-PA --- DATED TYPE(BA-PA)
 BM-PT --- DATED TYPE(BA-PT)
 BM-TR --- DATED TYPE(BA-TR)
 BM-TR200 --- DATED TYPE(BA-TR200)

| NO. | DATE | REVISED | BY |
|-----|------------|-------------------------------|-----|
| 1 | 07-03-2020 | GENERAL REVISION | LUO |
| 2 | 17-06-2020 | GENERAL REVISION | LUO |
| 3 | 21-04-2020 | AS PER ARCHITECT COMMENTS LUO | LUO |

CLIENT :
佳明集團控股有限公司
 GRAND MING GROUP HOLDINGS LIMITED

MAIN CONTRACTOR :
GRAND TECH CONSTRUCTION CO. LTD.

ARCHITECT :
WORKING & PARTNERS LIMITED

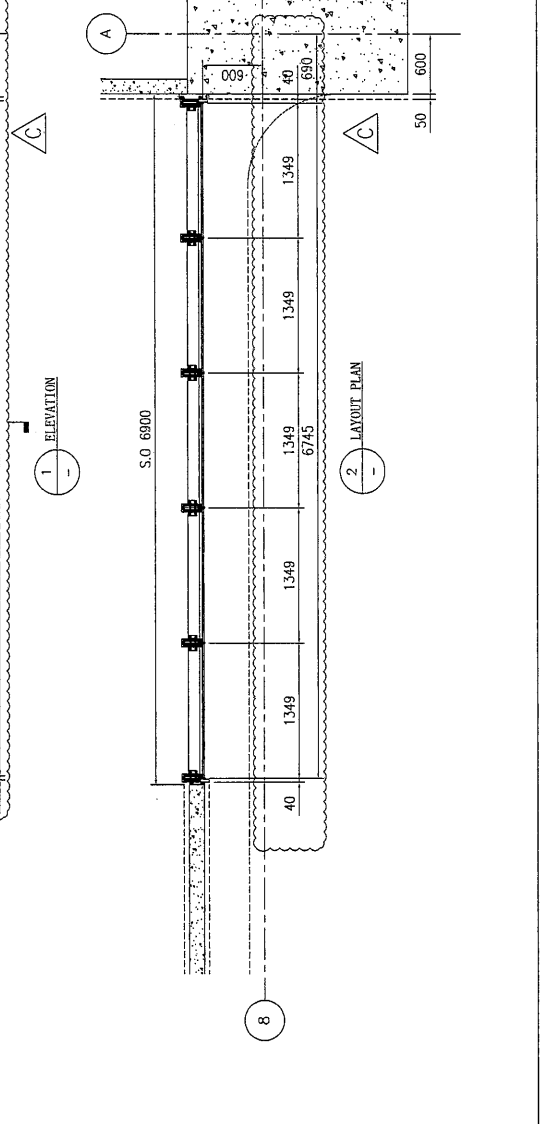
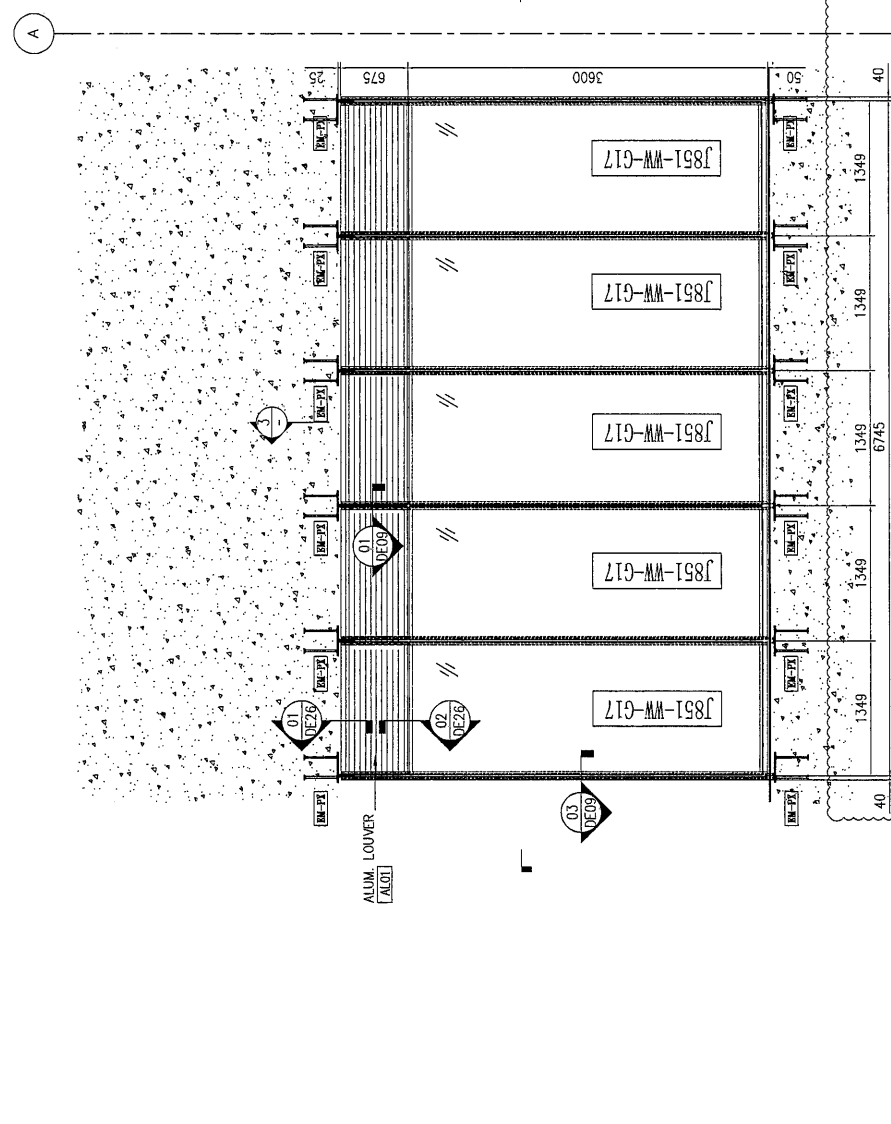
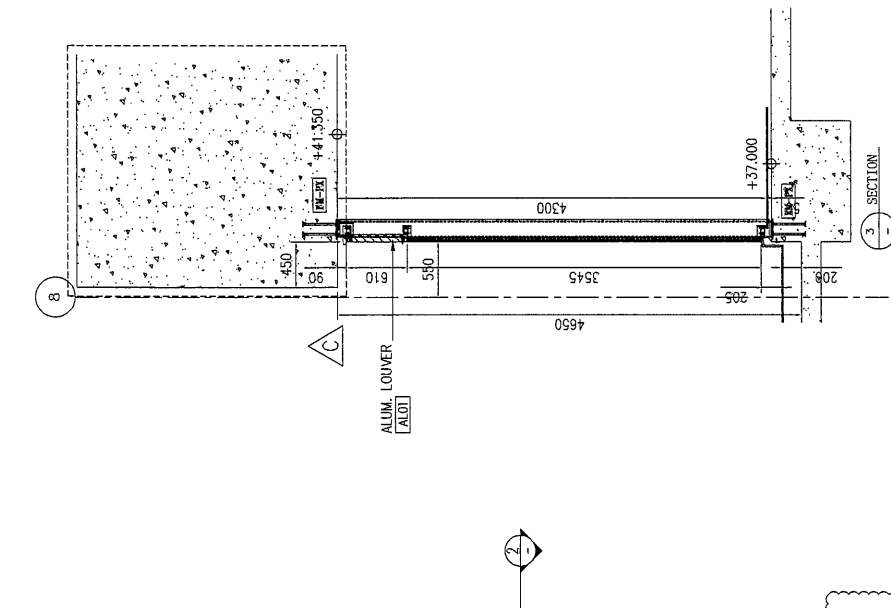

STRUCTURAL ENGINEER :
C.M.WONG & ASSOCIATES LTD


美特鋁質有限公司
MIDI ALUMINIUM FABRICATOR LTD.
 Units 6-8, Sunny Industrial Centre, 1/F
 610 Chee Koo Ling Road, Kompong
 Kampuchea, Cambodia
 Tel: 855(23)7271866

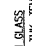
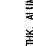
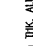
PROJECT :
 RESIDENTIAL DEVELOPMENT AT
 TSING NI TOWN LOT 199 SAN SHAN ROAD

TITLE :
 PARTIAL ELEVATION, SECTION & PLAN
 FOR WINDOW WALL

JOB NO. : J-051
 DATE : 22-06-2020
 DRAWN BY : LS
 SCALE : A1
 CHECK BY : AS
 DATE : 15/6
 DWS. NO. : J051-WW-PEC06
 REV. : C



LEGEND

| | |
|---|--|
|  | VISION GLASS 12mm THK. TEMPERED GLASS |
|  | 3mm THK. ALUM. CLADDING |
|  | 1.5mm THK. ALUM. FLASHING |

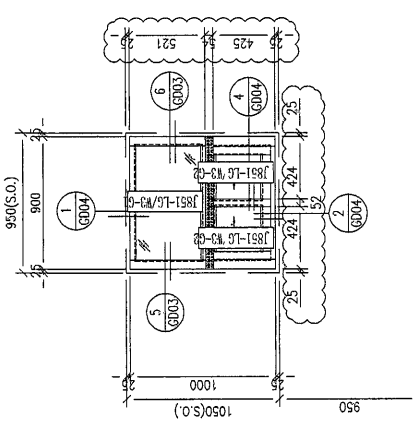
| | |
|-----------------|------------------------------------|
| GLASS WALL MARK | WWS UC |
| LOCATION | SETTING AREA @ UPPER GROUND FLOOR |
| AMOUNT | INOS. |
| GLASS | G11-12mm THK. CLEAR TEMPERED GLASS |
| COLOUR CODE | ALUM. MARK GREY |

B.D. REF :
F.S.D. REF :
Note:
1. All dimensions are in mm.
2. All elevations are viewed from outside.
3. All dimensions to be verified on site.
SHEET INFORMATION

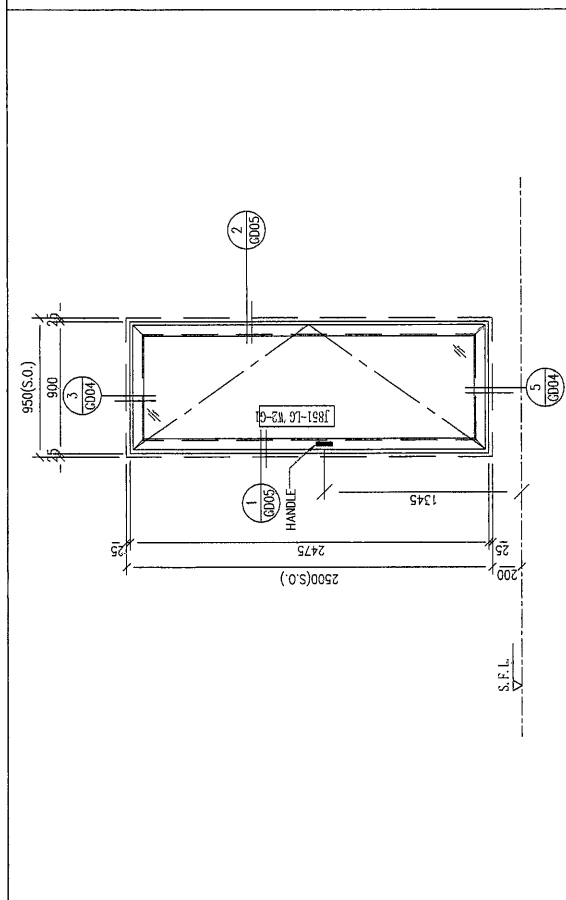
GENERAL NOTES

Legend :
1. F.F.L. --- Finished Floor Level
2. S.F.L. --- Structural Floor Level
3. (A) --- Reamed Detail

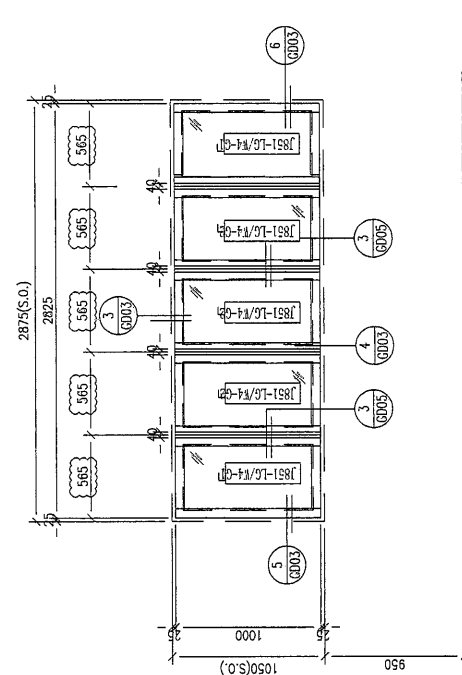
X1
X001
DETAIL MARK NO.
REFER SHEET NO.



| WINDOW MARK | LOCATION |
|-------------|-----------------------------------|
| W2 LG 1 no. | AF01 (DARK GREY) |
| GLAZING | FRAME |
| | 10mm THK. CLEAR GLASS(FIX WINDOW) |
| | 8mm THK. CLEAR GLASS |



| WINDOW MARK | LOCATION |
|-------------|--------------------------------|
| W2 LG 1 no. | AF01 (DARK GREY) |
| GLAZING | FRAME |
| | 10mm THK. FROSTED GLASS |
| REMARK | CLEAR SIZE MIN. 750(W)x2300(H) |



| WINDOW MARK | LOCATION |
|-------------|-----------------------|
| W4 LG | AF01 (DARK GREY) |
| GLAZING | FRAME |
| | 10mm THK. CLEAR GLASS |
| REMARK | |

| WINDOW MARK | LOCATION |
|-------------|-----------------------------------|
| W2 LG | AF01 (DARK GREY) |
| GLAZING | FRAME |
| | 10mm THK. CLEAR GLASS(FIX WINDOW) |
| | 8mm THK. CLEAR GLASS |

CLIENT : 佳明集團控股有限公司
GRAND MING GROUP HOLDINGS LIMITED

MAIN CONTRACTOR : GRAND TECH CONSTRUCTION CO. LTD.

ARCHITECT : WONG TUNG & PARTNERS LIMITED

STRUCTURAL ENGINEER : ICMA C M WONG & ASSOCIATES LTD

窗框製造商 : 美特鋁質有限公司
MIDI ALUMINIUM FABRICATOR LTD.
Units E-8, Sungey Industrial Centre, 1/F
610 Chai Neo Ling Road, Kamboon
1622468211-4 Fax(852)7727866

PROJECT : RESIDENTIAL DEVELOPMENT AT TSING YI TOWN LOT 180 SA SHAN ROAD

TITLE : WINDOW SCHEDULE FOR GUARD HOUSE

JOB NO. : J-851
DRAWN BY :
DATE :
CHECK BY :
SCALE : A1: 1/50
A2:
A3:
DWC. NO. : JWS1-GH-W501
REV. : B