

工程指示 / 要求簡箋(E.I.)

工程指示編號：EI / 2760 / 21

修改版次：J

工程編號：J851

工程名稱：青衣明翹匯

工程項目：單元件幕牆 - 地盤用鋁料加工圖(第二批)

收件人：生統

發件人：Yancy Chen

日期：12/03/2021

□要求提供 / □確認 事項：

- ( ) 初步鋁料 B.M.                      ( ) 加工拆圖，然後生產                      ( ) 尺寸表
- ( ) 正式鋁料 B.M.                      ( ) 技術上資料 / 指示                      ( ) 報價
- ( ) 配件 B.M.                              ( ) 樣辦或貨品說明書                      ( ) 分判合約
- ( ) 其他：\_\_\_\_\_

內容：

單元件用的結構膠尺寸修改為 <sup>最小</sup>11.4mm 厚，詳見附件大樣圖，共 15 個單元件。<sup>影響</sup>(雲綫處)

請在 15/03/2021 前完成上列要求。

附：

1+ 8 頁

以上項目為：

- 原合約工程包                       原合約工程加 / 減賬                       新工程報價

原因：-

分發東莞各部門：

- ( ) 生產技術總監  連附件    ( ) 技術部  連附件    ( ) 生產部  連附件    ( ) 機械設計部  連附件
- ( ) 採購部  連附件    ( ) 生產統籌部  連附件
- ( ) 質檢部  連附件    ( ) 會計部  連附件    ( ) 報關組  連附件    ( ) 其他 小羅  連附件

分發香港各部門：

- ( ) 行政部  連附件    ( ) 會計部  連附件    ( ) 統籌部  連附件    ( ) 工程部地盤科文  連附件
- ( ) 採購部  連附件    ( ) QS 部  連附件    ( ) 維修部  連附件    ( ) 其他 \_\_\_\_\_  連附件

傳遞編號：

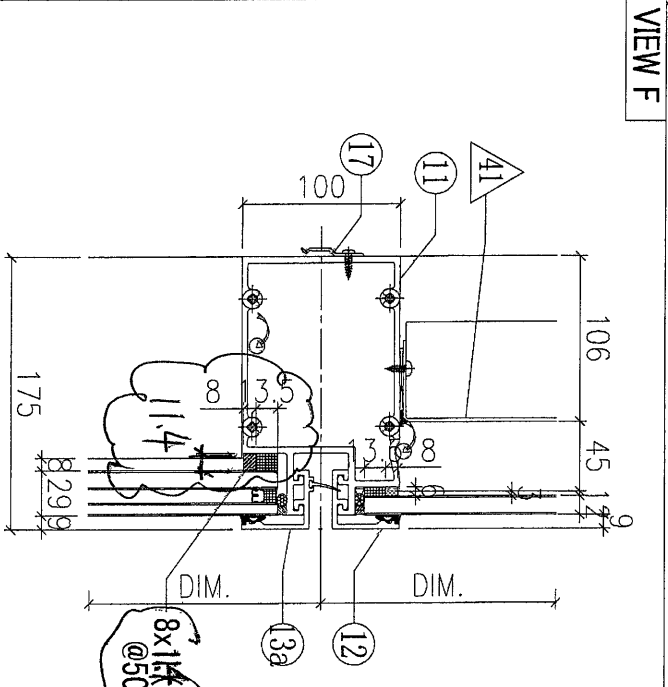
HK0502 / 21

發件人簽署：

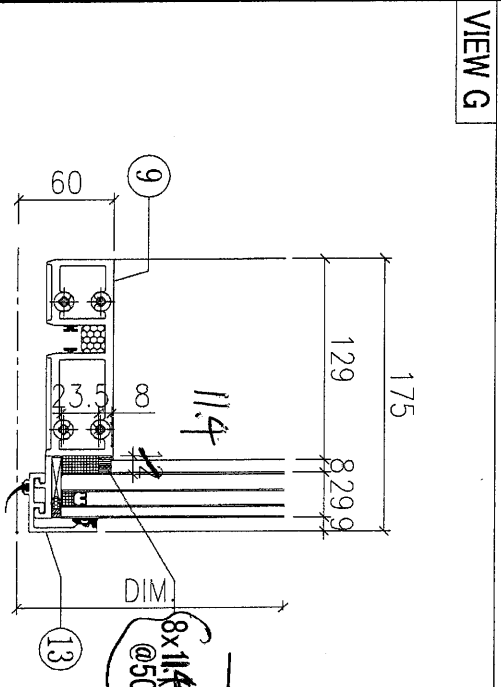
YC

項目經理簽署：

[Signature]



VIEW F



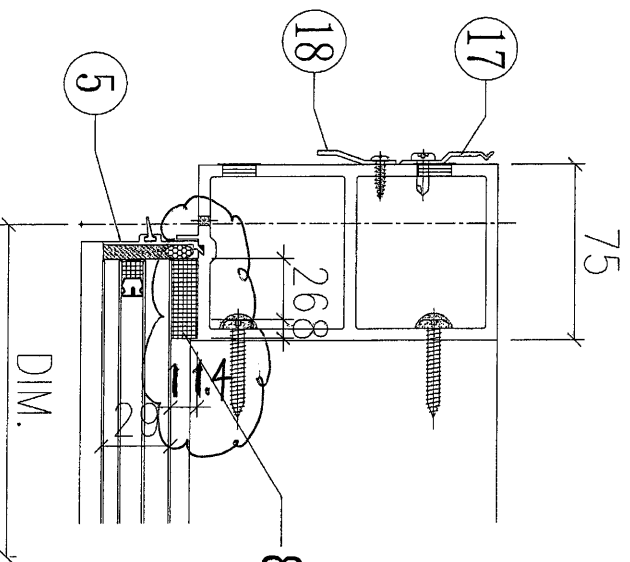
VIEW G

沒有生窗的大玻璃單元用的  
 双面封尺 見下圖  
 位置在派位圖圈下了

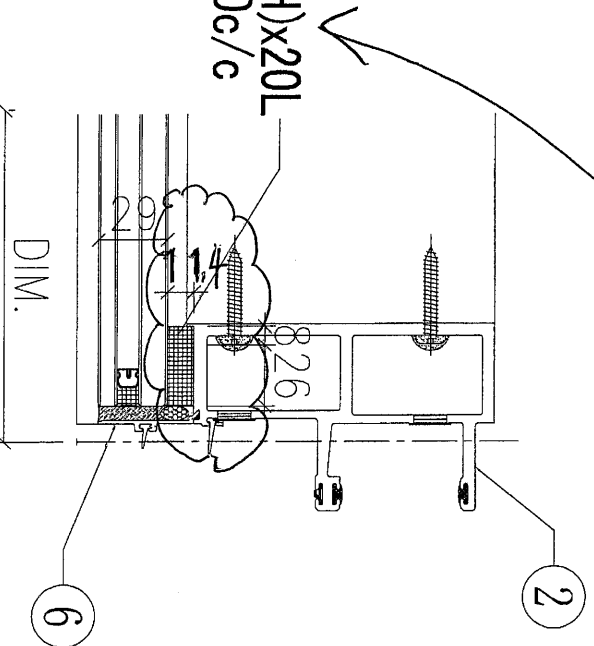
沒有生窗的大玻璃單元用的雙面貼片見下圖

851	類別	物料號	-	圖號	GFC-1910H9-c1
衣190	制圖	W.E.X	2020-11-21	數量	-
元組裝圖	復核	-	-	單件重量	-
	批准	-	-	(KG)	

VIEW C



VIEW D





1851单元幕墙单元件派位图(2)

T1-CW7			
36F	T1-CW7-3601	T1-CW7-3602	T1-CW7-3603
(Roof)	GF-E-817.51Hx	GF-P-1292.51Hx	GF-I-1425Hx
35F	T1-CW7-3501	T1-CW7-3502	T1-CW7-3503
33F	GSJ-A-817.51H9-c1	GF-P-1292.51H9	GF-I-1425H9-c2
33F	T1-CW7-3301	T1-CW7-3302	T1-CW7-3303
32F	GSJ-A-817.51H9-c1	GF-P-1292.51H9	GF-I-1425H9-c2
31F	T1-CW7-3101	T1-CW7-3102	
30F	GSJ-A-817.51H1-c1	GF-P-1292.51H1-c2	
29F	T1-CW7-2901	T1-CW7-2902	
28F	GSJ-A-817.51H1-c1	GF-P-1292.51H1-c2S	
27F	T1-CW7-2701	T1-CW7-2702	
26F	GSJ-A-817.51H1-c1	GF-P-1292.51H1-c2	
25F	T1-CW7-2501	T1-CW7-2502	
23F	T1-CW7-2301	T1-CW7-2302	
22F	GSJ-A-817.51H1-c1	GF-P-1292.51H1-c2	
21F	T1-CW7-2101	T1-CW7-2102	
20F	GSJ-A-817.51H1-c1	GF-P-1292.51H1-c2	
19F	T1-CW7-1901	T1-CW7-1902	
18F	GSJ-A-817.51H1-c1	GF-P-1292.51H1-c2	
17F	T1-CW7-1701	T1-CW7-1702	
16F	GSJ-A-817.51H1-c1	GF-P-1292.51H1-c2S	
15F	T1-CW7-1501	T1-CW7-1502	
12F	T1-CW7-1201	T1-CW7-1202	
11F	GSJ-A-817.51H1-c1	GF-P-1292.51H1-c2	
10F	T1-CW7-1001	T1-CW7-1002	
9F	GSJ-A-817.51H1-c1	GF-P-1292.51H1-c2	
8F	T1-CW7-0801	T1-CW7-0802	
7F	GSJ-A-817.51H1-c1	GF-P-1292.51H1-c2	
6F	T1-CW7-0601	T1-CW7-0602	
5F	GSJ-A-817.51H1-c1	GF-P-1292.51H1-c2	
3F	T1-CW7-0301	T1-CW7-0302	
2F	GSJ-A-817.51H1-c1	GF-P-1292.51H1-c2	
1F	T1-CW7-0101	T1-CW7-0102	

T1-CW6			
36F	T1-CW6-3601	T1-CW6-3602	T1-CW6-3603
(Roof)	GF-E-672.51Hx	GF-E-807.51Hx	GF-E-607.51Hx
36F	T1-CW6-3601	T1-CW6-3602	T1-CW6-3603
36F	GSJ-A-672.51H9-c1S2	GF-E-807.51H9-b1	GF-E-607.51H9
33F	T1-CW6-3301	T1-CW6-3302	T1-CW6-3303
32F	GSJ-A-672.51H9-c1	GF-E-807.51H9	GF-E-607.51H9
31F	T1-CW6-3101	T1-CW6-3102	T1-CW6-3103
30F	GSJ-A-672.51H1-c1	GF-E-807.51H1-b2	GF-E-607.51H1-b1
29F	T1-CW6-2901	T1-CW6-2902	T1-CW6-2903
28F	GSJ-A-672.51H1-c1	GF-E-807.51H1-b2S	GF-E-607.51H1-b1S
27F	T1-CW6-2701	T1-CW6-2702	T1-CW6-2703
26F	GSJ-A-672.51H1-c1	GF-E-807.51H1-b2	GF-E-607.51H1-b1
25F	T1-CW6-2501	T1-CW6-2502	T1-CW6-2503
23F	T1-CW6-2301	T1-CW6-2302	T1-CW6-2303
22F	GSJ-A-672.51H2-c1	GF-E-807.51H2-b2	GF-E-607.51H2-b1
21F	T1-CW6-2101	T1-CW6-2102	T1-CW6-2103
20F	GSJ-A-672.51H2-c1	GF-E-807.51H2-b2	GF-E-607.51H2-b1
19F	T1-CW6-1901	T1-CW6-1902	T1-CW6-1903
18F	GSJ-A-672.51H2-c1	GF-E-807.51H2-b2	GF-E-607.51H2-b1
17F	T1-CW6-1701	T1-CW6-1702	T1-CW6-1703
16F	GSJ-A-672.51H2-c1	GF-E-807.51H2-b2	GF-E-607.51H2-b1
15F	T1-CW6-1501	T1-CW6-1502	T1-CW6-1503
12F	T1-CW6-1201	T1-CW6-1202	T1-CW6-1203
11F	GSJ-A-672.51H1-c1	GF-E-807.51H1-b2	GF-E-607.51H1-b1
10F	T1-CW6-1001	T1-CW6-1002	T1-CW6-1003
9F	GSJ-A-672.51H1-c1	GF-E-807.51H1-b2	GF-E-607.51H1-b1
8F	T1-CW6-0801	T1-CW6-0802	T1-CW6-0803
7F	GSJ-A-672.51H1-c1	GF-E-807.51H1-b2	GF-E-607.51H1-b1
6F	T1-CW6-0601	T1-CW6-0602	T1-CW6-0603
5F	GSJ-A-672.51H1-c1	GF-E-807.51H1-b2	GF-E-607.51H1-b1
3F	T1-CW6-0301	T1-CW6-0302	T1-CW6-0303
2F	GSJ-A-672.51H1-c1	GF-E-807.51H1-b2	GF-E-607.51H1-b1
1F	T1-CW6-0101	T1-CW6-0102	T1-CW6-0103

T1-CW5			
36F	T1-CW5-3601	T1-CW5-3602	T1-CW5-3603
(Roof)	GF-E-2270H9-c1	GF-I-672.51Hx	GF-I-672.51Hx
36F	T1-CW5-3601	T1-CW5-3602	T1-CW5-3603
33F	GSJ-A-672.51H9-c1	GF-P-672.51H9-c2	GF-I-672.51H9-c2
33F	T1-CW5-3301	T1-CW5-3302	T1-CW5-3303
32F	GSJ-A-672.51H9-c1	GF-P-672.51H9-c2	GF-I-672.51H9-c2
31F	T1-CW5-3101	T1-CW5-3102	T1-CW5-3103
30F	GSJ-A-672.51H1-c1S2	GF-P-672.51H1-c2	GF-I-672.51H1-c2
29F	T1-CW5-2901	T1-CW5-2902	T1-CW5-2903
28F	GSJ-A-672.51H1-c1S2	GF-P-672.51H1-c2	GF-I-672.51H1-c2
27F	T1-CW5-2701	T1-CW5-2702	T1-CW5-2703
26F	GSJ-A-672.51H1-c1S2	GF-P-672.51H1-c2	GF-I-672.51H1-c2
25F	T1-CW5-2501	T1-CW5-2502	T1-CW5-2503
23F	T1-CW5-2301	T1-CW5-2302	T1-CW5-2303
22F	GSJ-A-672.51H1-c1S2	GF-P-672.51H1-c2	GF-I-672.51H1-c2
21F	T1-CW5-2101	T1-CW5-2102	T1-CW5-2103
20F	GSJ-A-672.51H1-c1S2	GF-P-672.51H1-c2	GF-I-672.51H1-c2
19F	T1-CW5-1901	T1-CW5-1902	T1-CW5-1903
18F	GSJ-A-672.51H1-c1S2	GF-P-672.51H1-c2	GF-I-672.51H1-c2
17F	T1-CW5-1701	T1-CW5-1702	T1-CW5-1703
16F	GSJ-A-672.51H1-c1S2	GF-P-672.51H1-c2	GF-I-672.51H1-c2
15F	T1-CW5-1501	T1-CW5-1502	T1-CW5-1503
12F	T1-CW5-1201	T1-CW5-1202	T1-CW5-1203
11F	GSJ-A-672.51H1-c1S2	GF-P-672.51H1-c2	GF-I-672.51H1-c2
10F	T1-CW5-1001	T1-CW5-1002	T1-CW5-1003
9F	GSJ-A-672.51H1-c1S2	GF-P-672.51H1-c2	GF-I-672.51H1-c2
8F	T1-CW5-0801	T1-CW5-0802	T1-CW5-0803
7F	GSJ-A-672.51H1-c1S2	GF-P-672.51H1-c2	GF-I-672.51H1-c2
6F	T1-CW5-0601	T1-CW5-0602	T1-CW5-0603
5F	GSJ-A-672.51H1-c1S2	GF-P-672.51H1-c2	GF-I-672.51H1-c2
3F	T1-CW5-0301	T1-CW5-0302	T1-CW5-0303
2F	GSJ-A-672.51H1-c1S2	GF-P-672.51H1-c2	GF-I-672.51H1-c2
1F	T1-CW5-0101	T1-CW5-0102	T1-CW5-0103







1851单元幕墙单元件派位图(7)

T2-CW11		T2-CW9	
36F	T2-CW11-3601	T2-CW11-3602	T2-CW9-3603
(Roof)	GF-e-672.5Hx	GF-e-2130Hx-c2	GF-e-672.5Hx
35F	T2-CW11-3601	T2-CW11-3602	T2-CW9-3604
	GS1a-672.5H1a-b1	GF-d-2130H1-c2	GF-e-672.5Hx
33F	T2-CW11-3301	T2-CW11-3302	T2-CW9-3504
	GS1a-672.5H1a-b1	GF-d-2130H1-c1	GF-e-672.5Hx
32F	T2-CW11-3201	GF-d-2130H1-c1	T2-CW9-3505
	GS1k-672.5H1a-b1-c2S		GF-e-685H1x
31F	GS1k-672.5H1a-b1-c2S		T2-CW9-3506
			GF-d-1670H1x
30F	T2-CW11-3001		T2-CW9-3306
	GS1k-672.5H1a-b1-c2S		GF-d-1670H1-c2
29F	T2-CW11-2901		T2-CW9-3305
	GS1k-672.5H1a-b1-c2S		GS1m-685H1a-b1-c2S
28F	T2-CW11-2801		T2-CW9-3204
	GS1k-672.5H1a-b1-c2S		GS1m-685H1a-b1-c2S
27F	T2-CW11-2701		T2-CW9-3104
	GS1k-672.5H1a-b1-c2S		GS1m-672.5H1a-b1-c2S
26F	T2-CW11-2601		T2-CW9-3103
	GS1k-672.5H1a-b1-c2S		GS1m-672.5H1a-b1-c2S
25F	T2-CW11-2501		T2-CW9-3003
	GS1k-672.5H1a-b1-c2S		GS1m-672.5H1a-b1-c2S
23F	T2-CW11-2301		T2-CW9-3004
	GS1k-672.5H1a-b1-c2S		GS1m-672.5H1a-b1-c2S
22F	T2-CW11-2201		T2-CW9-2904
	GS1k-672.5H1a-b1-c2S		GS1m-672.5H1a-b1-c2S
21F	T2-CW11-2101		T2-CW9-2803
	GS1k-672.5H1a-b1-c2S		GS1m-672.5H1a-b1-c2S
20F	T2-CW11-2001		T2-CW9-2804
	GS1k-672.5H1a-b1-c2S		GS1m-672.5H1a-b1-c2S
19F	T2-CW11-1901		T2-CW9-2703
	GS1k-672.5H1a-b1-c2S		GS1m-672.5H1a-b1-c2S
18F	T2-CW11-1801		T2-CW9-2702
	GS1k-672.5H1a-b1-c2S		GS1m-672.5H1a-b1-c2S
17F	T2-CW11-1701		T2-CW9-2603
	GS1k-672.5H1a-b1-c2S		GS1m-672.5H1a-b1-c2S
16F	T2-CW11-1601		T2-CW9-2604
	GS1k-672.5H1a-b1-c2S		GS1m-672.5H1a-b1-c2S
15F	T2-CW11-1501		T2-CW9-2503
	GS1k-672.5H1a-b1-c2S		GS1m-672.5H1a-b1-c2S
12F	T2-CW11-1201		T2-CW9-2302
	GS1k-672.5H1a-b1-c2S		GS1m-672.5H1a-b1-c2S
11F	T2-CW11-1101		T2-CW9-2303
	GS1k-672.5H1a-b1-c2S		GS1m-672.5H1a-b1-c2S
10F	T2-CW11-1001		T2-CW9-2203
	GS1k-672.5H1a-b1-c2S		GS1m-672.5H1a-b1-c2S
9F	T2-CW11-0901		T2-CW9-2204
	GS1k-672.5H1a-b1-c2S		GS1m-672.5H1a-b1-c2S
8F	T2-CW11-0801		T2-CW9-2102
	GS1k-672.5H1a-b1-c2S		GS1m-672.5H1a-b1-c2S
7F	T2-CW11-0701		T2-CW9-2103
	GS1k-672.5H1a-b1-c2S		GS1m-672.5H1a-b1-c2S
6F	T2-CW11-0601		T2-CW9-2003
	GS1k-672.5H1a-b1-c2S		GS1m-672.5H1a-b1-c2S
5F	T2-CW11-0501		T2-CW9-2004
	GS1k-672.5H1a-b1-c2S		GS1m-672.5H1a-b1-c2S
3F	T2-CW11-0301		T2-CW9-1703
	GS1k-672.5H1a-b1-c2S		GS1m-672.5H1a-b1-c2S
2F	T2-CW11-0201		T2-CW9-1702
	GS1k-672.5H1a-b1-c2S		GS1m-672.5H1a-b1-c2S
1F	T2-CW11-0101		T2-CW9-1603
	GS1k-672.5H1a-b1-c2S		GS1m-672.5H1a-b1-c2S