

工程指示 / 要求簡箋(E.I.)

工程指示編號：EI / 2760 / 20

修改版次：D

工程編號：J851

工程名稱：青衣明翹匯

工程項目：單元件幕牆 - 地盤用鋁料加工圖(第二批)

收件人：生統

發件人：Yancy Chen

日期：23/12/2020

要求提供 / 確認 事項：

- () 初步鋁料 B.M. () 加工拆圖，然後生產 () 尺寸表
- () 正式鋁料 B.M. () 技術上資料 / 指示 () 報價
- () 配件 B.M. () 樣辦或貨品說明書 () 分判合約
- () 其他：_____

內容：

單元件用的雙面貼尺寸確認

請在 30/12/2020 前完成上列要求。

附：

1+ 8 頁

以上項目為：

- 原合約工程包 原合約工程加 / 減賬 新工程報價

原因：-

分發東莞各部門：

- () 生產技術總監 連附件 () 技術部 連附件 () 生產部 連附件 () 機械設計部 連附件
- () 採購部 連附件 (✓) 生產統籌部 連附件 楊軍
- () 質檢部 連附件 () 會計部 連附件 () 報關組 連附件 (✓) 其他 小羅 連附件

分發香港各部門：

- () 行政部 連附件 () 會計部 連附件 () 統籌部 連附件 () 工程部地盤科文 連附件
- () 採購部 連附件 () QS 部 連附件 () 維修部 連附件 () 其他 _____ 連附件

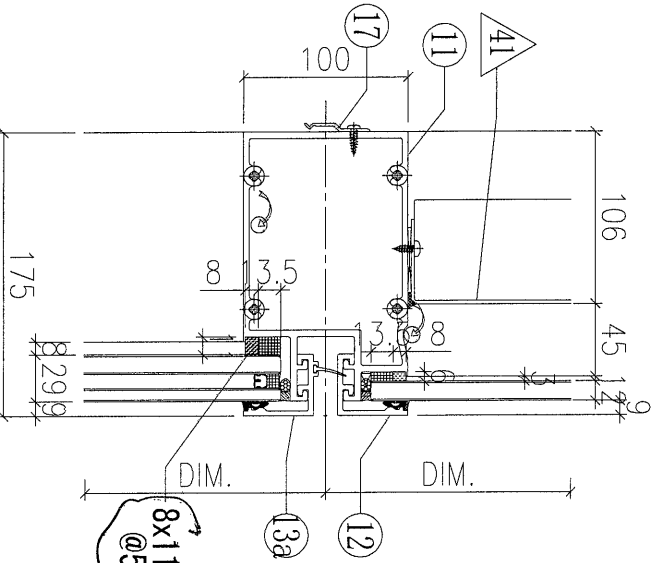
傳遞編號：

HK 2944 / 20

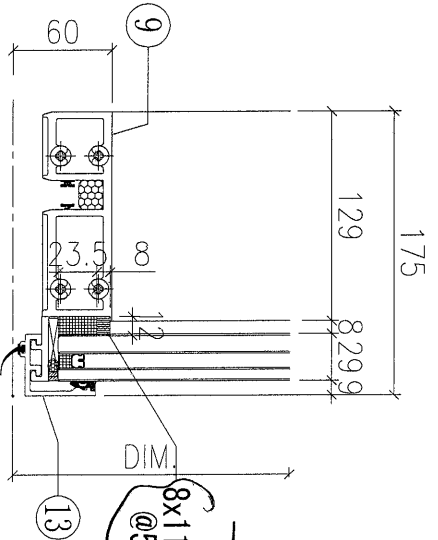
發件人簽署：

項目經理簽署：

VIEW F



VIEW G

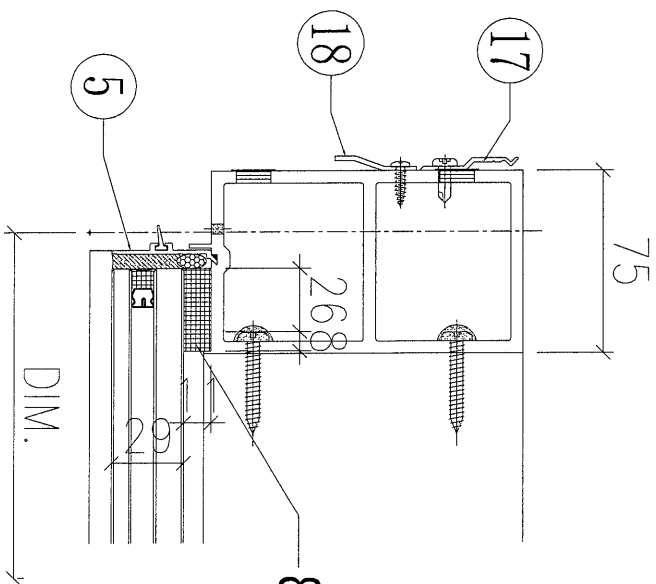


沒有生窗的大玻璃單元用的
 雙面貼見下圖
 位置在派位圖圈下了

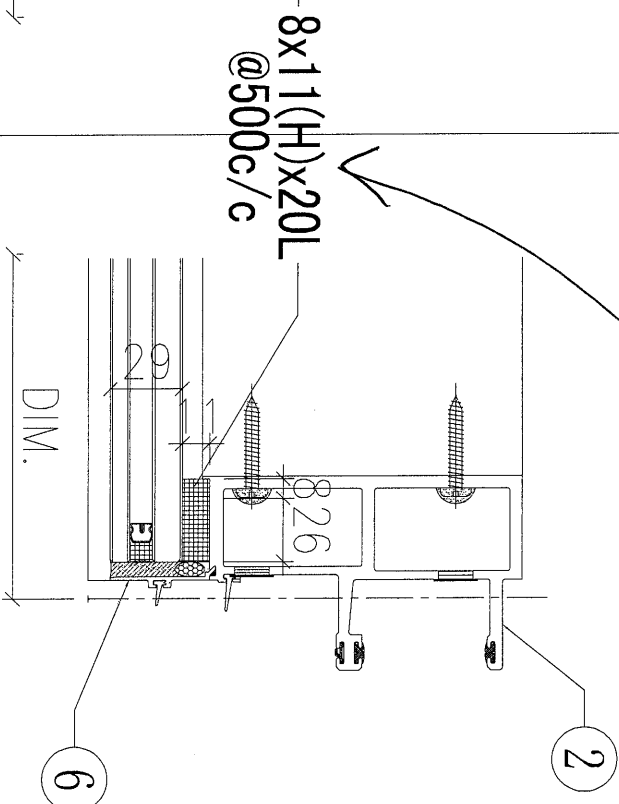
沒有生窗的大玻璃單元用的雙面貼尺寸見下圖

851	類別	物料號	-	圖號	GFC-1910H9-c1
衣190	制圖	W.E.X	2020-11-21	數量	-
元組裝圖	復核	-	-	單件重量	-
	批准	-	-	(KG)	

VIEW C



VIEW D



8x11(H)x20L
@500c/c

J851单元幕墙单元件派位图(1)

T1-CW8			
36F	(Roof)	T1-CW8-3601	T1-CW8-3602
		GfE-672.5Hx	GfE-1600Hx
		T1-CW8-3501	T1-CW8-3502
		GfE-1600Hx	GfE-807.5Hx
		T1-CW8-3301	T1-CW8-3302
		GfE-1600Hx	GfE-807.5Hx
		T1-CW8-3101	T1-CW8-3102
		GfE-1600Hx	GfE-807.5Hx
		T1-CW8-2901	T1-CW8-2902
		GfE-1600Hx	GfE-807.5Hx
		T1-CW8-2701	T1-CW8-2702
		GfE-1600Hx	GfE-807.5Hx
		T1-CW8-2501	T1-CW8-2502
		GfE-1600Hx	GfE-807.5Hx
		T1-CW8-2301	T1-CW8-2302
		GfE-1600Hx	GfE-807.5Hx
		T1-CW8-2101	T1-CW8-2102
		GfE-1600Hx	GfE-807.5Hx
		T1-CW8-1901	T1-CW8-1902
		GfE-1600Hx	GfE-807.5Hx
		T1-CW8-1801	T1-CW8-1802
		GfE-1600Hx	GfE-807.5Hx
		T1-CW8-1701	T1-CW8-1702
		GfE-1600Hx	GfE-807.5Hx
		T1-CW8-1601	T1-CW8-1602
		GfE-1600Hx	GfE-807.5Hx
		T1-CW8-1501	T1-CW8-1502
		GfE-1600Hx	GfE-807.5Hx
		T1-CW8-1201	T1-CW8-1202
		GfE-1600Hx	GfE-807.5Hx
		T1-CW8-1101	T1-CW8-1102
		GfE-1600Hx	GfE-807.5Hx
		T1-CW8-1001	T1-CW8-1002
		GfE-1600Hx	GfE-807.5Hx
		T1-CW8-0901	T1-CW8-0902
		GfE-1600Hx	GfE-807.5Hx
		T1-CW8-0801	T1-CW8-0802
		GfE-1600Hx	GfE-807.5Hx
		T1-CW8-0701	T1-CW8-0702
		GfE-1600Hx	GfE-807.5Hx
		T1-CW8-0601	T1-CW8-0602
		GfE-1600Hx	GfE-807.5Hx
		T1-CW8-0501	T1-CW8-0502
		GfE-1600Hx	GfE-807.5Hx
		T1-CW8-0301	T1-CW8-0302
		GfE-1600Hx	GfE-807.5Hx
		T1-CW8-0201	T1-CW8-0202
		GfE-1600Hx	GfE-807.5Hx
		T1-CW8-0101	T1-CW8-0102
		GfE-1600Hx	GfE-807.5Hx

T1-CW12			
36F	(Roof)	T1-CW12-3601	T1-CW12-3602
		GfE-1910Hx	GfD-650Hx
		T1-CW12-3501	T1-CW12-3502
		GfE-1910Hx	GfE-650Hx
		T1-CW12-3301	T1-CW12-3302
		GfE-1910Hx	GfE-650Hx
		T1-CW12-3101	T1-CW12-3102
		GfE-1910Hx	GfE-650Hx
		T1-CW12-2901	T1-CW12-2902
		GfE-1910Hx	GfE-650Hx
		T1-CW12-2701	T1-CW12-2702
		GfE-1910Hx	GfE-650Hx
		T1-CW12-2501	T1-CW12-2502
		GfE-1910Hx	GfE-650Hx
		T1-CW12-2301	T1-CW12-2302
		GfE-1910Hx	GfE-650Hx
		T1-CW12-2101	T1-CW12-2102
		GfE-1910Hx	GfE-650Hx
		T1-CW12-1901	T1-CW12-1902
		GfE-1910Hx	GfE-650Hx
		T1-CW12-1801	T1-CW12-1802
		GfE-1910Hx	GfE-650Hx
		T1-CW12-1701	T1-CW12-1702
		GfE-1910Hx	GfE-650Hx
		T1-CW12-1601	T1-CW12-1602
		GfE-1910Hx	GfE-650Hx
		T1-CW12-1501	T1-CW12-1502
		GfE-1910Hx	GfE-650Hx
		T1-CW12-1201	T1-CW12-1202
		GfE-1910Hx	GfE-650Hx
		T1-CW12-1101	T1-CW12-1102
		GfE-1910Hx	GfE-650Hx
		T1-CW12-1001	T1-CW12-1002
		GfE-1910Hx	GfE-650Hx
		T1-CW12-0901	T1-CW12-0902
		GfE-1910Hx	GfE-650Hx
		T1-CW12-0801	T1-CW12-0802
		GfE-1910Hx	GfE-650Hx
		T1-CW12-0701	T1-CW12-0702
		GfE-1910Hx	GfE-650Hx
		T1-CW12-0601	T1-CW12-0602
		GfE-1910Hx	GfE-650Hx
		T1-CW12-0501	T1-CW12-0502
		GfE-1910Hx	GfE-650Hx
		T1-CW12-0301	T1-CW12-0302
		GfE-1910Hx	GfE-650Hx
		T1-CW12-0201	T1-CW12-0202
		GfE-1910Hx	GfE-650Hx
		T1-CW12-0101	T1-CW12-0102
		GfE-1910Hx	GfE-650Hx

T1-CW8R			
36F	(Roof)	T1-CW8R-3601	T1-CW8R-3602
		GfE-672.5Hx	GfE-807.5Hx
		T1-CW8R-3501	T1-CW8R-3502
		GfE-672.5Hx	GfE-807.5Hx
		T1-CW8R-3301	T1-CW8R-3302
		GfE-672.5Hx	GfE-807.5Hx
		T1-CW8R-3101	T1-CW8R-3102
		GfE-672.5Hx	GfE-807.5Hx
		T1-CW8R-2901	T1-CW8R-2902
		GfE-672.5Hx	GfE-807.5Hx
		T1-CW8R-2801	T1-CW8R-2802
		GfE-672.5Hx	GfE-807.5Hx
		T1-CW8R-2701	T1-CW8R-2702
		GfE-672.5Hx	GfE-807.5Hx
		T1-CW8R-2601	T1-CW8R-2602
		GfE-672.5Hx	GfE-807.5Hx
		T1-CW8R-2501	T1-CW8R-2502
		GfE-672.5Hx	GfE-807.5Hx
		T1-CW8R-2301	T1-CW8R-2302
		GfE-672.5Hx	GfE-807.5Hx
		T1-CW8R-2201	T1-CW8R-2202
		GfE-672.5Hx	GfE-807.5Hx
		T1-CW8R-2101	T1-CW8R-2102
		GfE-672.5Hx	GfE-807.5Hx
		T1-CW8R-1901	T1-CW8R-1902
		GfE-672.5Hx	GfE-807.5Hx
		T1-CW8R-1801	T1-CW8R-1802
		GfE-672.5Hx	GfE-807.5Hx
		T1-CW8R-1701	T1-CW8R-1702
		GfE-672.5Hx	GfE-807.5Hx
		T1-CW8R-1601	T1-CW8R-1602
		GfE-672.5Hx	GfE-807.5Hx
		T1-CW8R-1501	T1-CW8R-1502
		GfE-672.5Hx	GfE-807.5Hx
		T1-CW8R-1201	T1-CW8R-1202
		GfE-672.5Hx	GfE-807.5Hx
		T1-CW8R-1101	T1-CW8R-1102
		GfE-672.5Hx	GfE-807.5Hx
		T1-CW8R-1001	T1-CW8R-1002
		GfE-672.5Hx	GfE-807.5Hx
		T1-CW8R-0901	T1-CW8R-0902
		GfE-672.5Hx	GfE-807.5Hx
		T1-CW8R-0801	T1-CW8R-0802
		GfE-672.5Hx	GfE-807.5Hx
		T1-CW8R-0701	T1-CW8R-0702
		GfE-672.5Hx	GfE-807.5Hx
		T1-CW8R-0601	T1-CW8R-0602
		GfE-672.5Hx	GfE-807.5Hx
		T1-CW8R-0501	T1-CW8R-0502
		GfE-672.5Hx	GfE-807.5Hx
		T1-CW8R-0301	T1-CW8R-0302
		GfE-672.5Hx	GfE-807.5Hx
		T1-CW8R-0201	T1-CW8R-0202
		GfE-672.5Hx	GfE-807.5Hx
		T1-CW8R-0101	T1-CW8R-0102
		GfE-672.5Hx	GfE-807.5Hx

1851单元幕墙单元件派位图(7)

T2-CW11				T2-CW9					
36F	T2-CW11-3601	T2-CW11-3602	GF-e-672.51x	T2-CW9-3601	T2-CW9-3602	T2-CW9-3603	T2-CW9-3604	T2-CW9-3605	T2-CW9-3606
(Roof)	GF-e-672.51x	GF-d-2130H9-L	GF-e-672.51x	GF-e-807.51H	GF-e-1452.51x	GF-e-672.51x	GF-e-6851H	GF-d-1670H9-L	
35F	T2-CW11-3501	GF-d-2130H9-c2	T2-CW9-3501	T2-CW9-3502	T2-CW9-3503	T2-CW9-3504	T2-CW9-3505	T2-CW9-3506	
33F	T2-CW11-3301	T2-CW11-3302	GF-e-807.51H	GF-e-807.51H	GF-e-1452.51H	GF-e-672.51H	GF-e-6851H	GF-d-1670H9-c2	
32F	T2-CW11-3201	GF-d-2130H9-L	T2-CW9-3201	T2-CW9-3202	T2-CW9-3203	T2-CW9-3204	T2-CW9-3205	T2-CW9-3206	
31F	T2-CW11-3101	GF-d-2130H9-c2	GF-e-807.51H	GF-e-807.51H	GF-e-1452.51H	GF-e-672.51H	GF-e-6851H	GF-d-1670H9-c2	
30F	T2-CW11-3001	GF-d-2130H9-L	T2-CW9-3001	T2-CW9-3002	T2-CW9-3003	T2-CW9-3004	T2-CW9-3005	T2-CW9-3006	
29F	T2-CW11-2901	GF-d-2130H9-c2	GF-e-807.51H	GF-e-807.51H	GF-e-1452.51H	GF-e-672.51H	GF-e-6851H	GF-d-1670H9-c2	
28F	T2-CW11-2801	GF-d-2130H9-L	T2-CW9-2801	T2-CW9-2802	T2-CW9-2803	T2-CW9-2804	T2-CW9-2805	T2-CW9-2806	
27F	T2-CW11-2701	GF-d-2130H9-c2	GF-e-807.51H	GF-e-807.51H	GF-e-1452.51H	GF-e-672.51H	GF-e-6851H	GF-d-1670H9-c2	
26F	T2-CW11-2601	GF-d-2130H9-L	T2-CW9-2601	T2-CW9-2602	T2-CW9-2603	T2-CW9-2604	T2-CW9-2605	T2-CW9-2606	
25F	T2-CW11-2501	GF-d-2130H9-c2	GF-e-807.51H	GF-e-807.51H	GF-e-1452.51H	GF-e-672.51H	GF-e-6851H	GF-d-1670H9-c2	
23F	T2-CW11-2301	GF-d-2130H9-L	T2-CW9-2301	T2-CW9-2302	T2-CW9-2303	T2-CW9-2304	T2-CW9-2305	T2-CW9-2306	
22F	T2-CW11-2201	GF-d-2130H9-c2	GF-e-807.51H	GF-e-807.51H	GF-e-1452.51H	GF-e-672.51H	GF-e-6851H	GF-d-1670H9-c2	
21F	T2-CW11-2101	GF-d-2130H9-L	T2-CW9-2101	T2-CW9-2102	T2-CW9-2103	T2-CW9-2104	T2-CW9-2105	T2-CW9-2106	
20F	T2-CW11-2001	GF-d-2130H9-c2	GF-e-807.51H	GF-e-807.51H	GF-e-1452.51H	GF-e-672.51H	GF-e-6851H	GF-d-1670H9-c2	
19F	T2-CW11-1901	GF-d-2130H9-L	T2-CW9-1901	T2-CW9-1902	T2-CW9-1903	T2-CW9-1904	T2-CW9-1905	T2-CW9-1906	
18F	T2-CW11-1801	GF-d-2130H9-c2	GF-e-807.51H	GF-e-807.51H	GF-e-1452.51H	GF-e-672.51H	GF-e-6851H	GF-d-1670H9-c2	
17F	T2-CW11-1701	GF-d-2130H9-L	T2-CW9-1701	T2-CW9-1702	T2-CW9-1703	T2-CW9-1704	T2-CW9-1705	T2-CW9-1706	
16F	T2-CW11-1601	GF-d-2130H9-c2	GF-e-807.51H	GF-e-807.51H	GF-e-1452.51H	GF-e-672.51H	GF-e-6851H	GF-d-1670H9-c2	
15F	T2-CW11-1501	GF-d-2130H9-L	T2-CW9-1501	T2-CW9-1502	T2-CW9-1503	T2-CW9-1504	T2-CW9-1505	T2-CW9-1506	
12F	T2-CW11-1201	GF-d-2130H9-c2	GF-e-807.51H	GF-e-807.51H	GF-e-1452.51H	GF-e-672.51H	GF-e-6851H	GF-d-1670H9-c2	
11F	T2-CW11-1101	GF-d-2130H9-L	T2-CW9-1101	T2-CW9-1102	T2-CW9-1103	T2-CW9-1104	T2-CW9-1105	T2-CW9-1106	
10F	T2-CW11-1001	GF-d-2130H9-c2	GF-e-807.51H	GF-e-807.51H	GF-e-1452.51H	GF-e-672.51H	GF-e-6851H	GF-d-1670H9-c2	
9F	T2-CW11-0901	GF-d-2130H9-L	T2-CW9-0901	T2-CW9-0902	T2-CW9-0903	T2-CW9-0904	T2-CW9-0905	T2-CW9-0906	
8F	T2-CW11-0801	GF-d-2130H9-c2	GF-e-807.51H	GF-e-807.51H	GF-e-1452.51H	GF-e-672.51H	GF-e-6851H	GF-d-1670H9-c2	
7F	T2-CW11-0701	GF-d-2130H9-L	T2-CW9-0701	T2-CW9-0702	T2-CW9-0703	T2-CW9-0704	T2-CW9-0705	T2-CW9-0706	
6F	T2-CW11-0601	GF-d-2130H9-c2	GF-e-807.51H	GF-e-807.51H	GF-e-1452.51H	GF-e-672.51H	GF-e-6851H	GF-d-1670H9-c2	
5F	T2-CW11-0501	GF-d-2130H9-L	T2-CW9-0501	T2-CW9-0502	T2-CW9-0503	T2-CW9-0504	T2-CW9-0505	T2-CW9-0506	
3F	T2-CW11-0301	GF-d-2130H9-c2	GF-e-807.51H	GF-e-807.51H	GF-e-1452.51H	GF-e-672.51H	GF-e-6851H	GF-d-1670H9-c2	
2F	T2-CW11-0201	GF-d-2130H9-L	T2-CW9-0201	T2-CW9-0202	T2-CW9-0203	T2-CW9-0204	T2-CW9-0205	T2-CW9-0206	
1F	T2-CW11-0101	GF-d-2130H9-c2	GF-e-807.51H	GF-e-807.51H	GF-e-1452.51H	GF-e-672.51H	GF-e-6851H	GF-d-1670H9-c2	