

工程指示 / 要求簡箋(E.I.)

工程指示編號：EI / 2702 / 20

修改版次：A

工程編號：J851

工程名稱：青衣明翹匯

工程項目：35/F 趟摺門 - 提供報價

收件人：生統

發件人：Yancy Chen

日期：24/11/2020

要求提供 / 確認 事項：

- | | | |
|------------------------------------|-------------------------------------|--|
| <input type="checkbox"/> 初步鋁料 B.M. | <input type="checkbox"/> 加工拆圖，然後生產 | <input type="checkbox"/> 尺寸表 |
| <input type="checkbox"/> 正式鋁料 B.M. | <input type="checkbox"/> 技術上資料 / 指示 | <input checked="" type="checkbox"/> 報價 |
| <input type="checkbox"/> 配件 B.M. | <input type="checkbox"/> 樣辦或貨品說明書 | <input type="checkbox"/> 分判合約 |
| <input type="checkbox"/> 其他：_____ | | |

內容：

請按附件圖紙，6幅趟摺門，提供報價。

注意：請不要進行加工，待地盤復尺后才可正式加工。此報價不含玻璃。

本版次尺寸修改詳圖 J851-IW-122(Rev. E)，顏色為灰色(顏色編碼: UCT534193SC-3)。

請在 24/11/2020 前完成上列要求。

附：

1頁 + 5頁

以上項目為：

- 原合約工程包 原合約工程加 / 減賬 新工程報價

原因：-

分發東莞各部門：

- | | | | |
|--|---|---|---|
| <input type="checkbox"/> 生產技術總監 <input type="checkbox"/> 連附件 | <input type="checkbox"/> 技術部 <input type="checkbox"/> 連附件 | <input type="checkbox"/> 生產部 <input type="checkbox"/> 連附件 | <input type="checkbox"/> 機械設計部 <input type="checkbox"/> 連附件 |
| <input type="checkbox"/> 採購部 <input type="checkbox"/> 連附件 | <input checked="" type="checkbox"/> 生產統籌部 <input checked="" type="checkbox"/> 連附件 | 梅軍 | |
| <input type="checkbox"/> 質檢部 <input type="checkbox"/> 連附件 | <input type="checkbox"/> 會計部 <input type="checkbox"/> 連附件 | <input type="checkbox"/> 報關組 <input type="checkbox"/> 連附件 | <input type="checkbox"/> 其他 <u>小羅</u> <input checked="" type="checkbox"/> 連附件 |

分發香港各部門：

- | | | | |
|--|--|---|--|
| <input type="checkbox"/> 行政部 <input type="checkbox"/> 連附件 | <input type="checkbox"/> 會計部 <input type="checkbox"/> 連附件 | <input type="checkbox"/> 統籌部 <input type="checkbox"/> 連附件 | <input type="checkbox"/> 工程部地盤科文 <input type="checkbox"/> 連附件 |
| <input checked="" type="checkbox"/> 採購部 <input type="checkbox"/> 連附件 | <input type="checkbox"/> QS 部 <input type="checkbox"/> 連附件 | <input type="checkbox"/> 維修部 <input type="checkbox"/> 連附件 | <input type="checkbox"/> 其他 _____ <input type="checkbox"/> 連附件 |

傳遞編號：

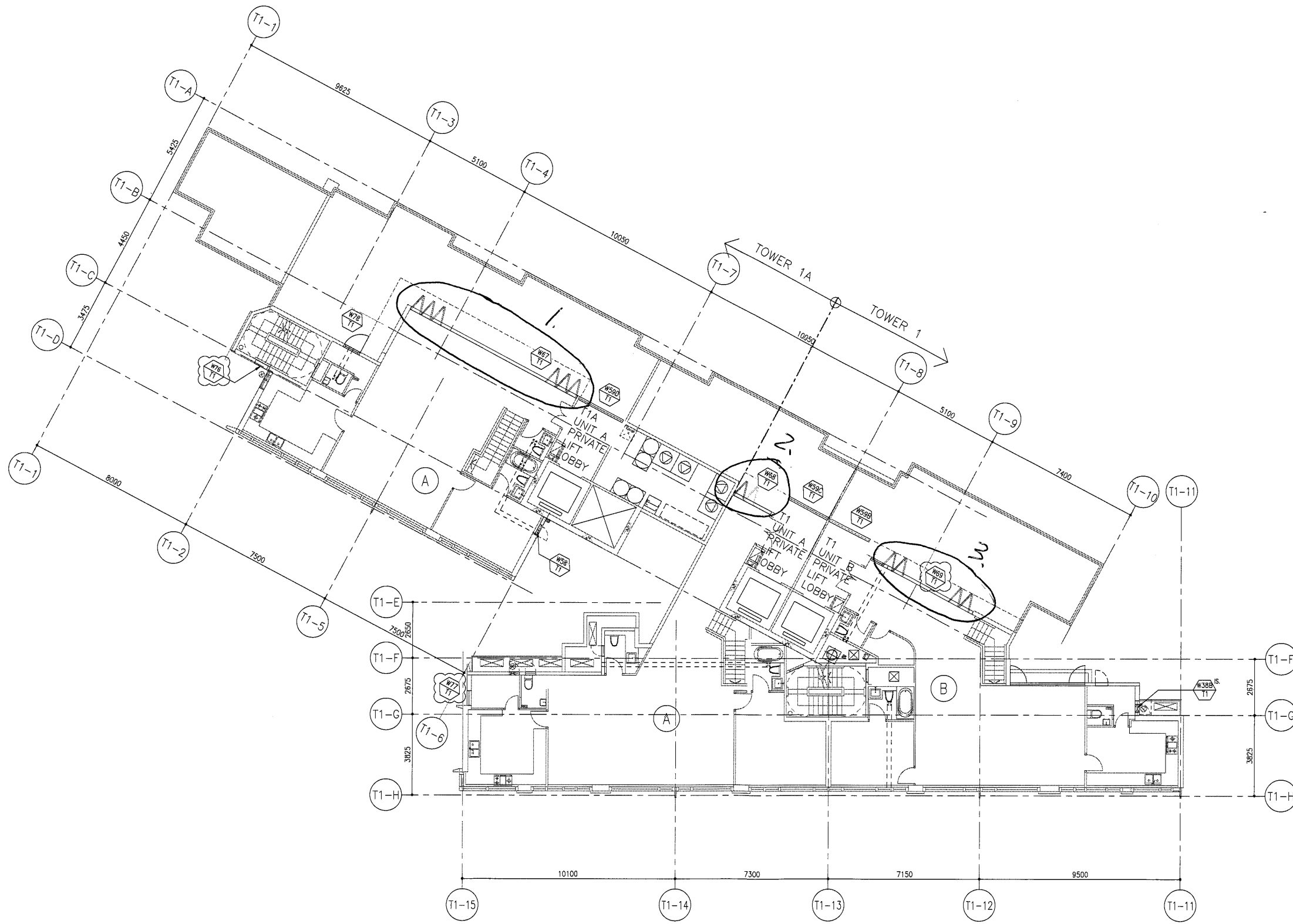
HK 2695 / 20

發件人簽署：

YK

項目經理簽署：

JP



T1/T1A 35/F PLAN

B.D. REF :
 F.S.D. REF :
 Note :
 1. All dimensions are in mm.
 2. All elevations are viewed from outside.
 3. All dimensions to be verified on site before fabrication.

GENERAL NOTES

Legend :
 1. F.F.L.-- Finished Floor Level
 2. S.F.L.-- Structural Floor Level
 3. (R) -- Reversed Detail

(X1) --- DETAIL MARK NO.
 (X001) --- REFER SHEET NO.
 (TIPEXX) - FACADE MARK

E	02.11.2020	GENERAL REVISION		
D	10.08.2020	GENERAL REVISION		
C	04.05.2020	GENERAL REVISION		
B	05.03.2020	GENERAL REVISION		
A	13.02.2020	GENERAL REVISION		
NO.	DATE	REVISED	BY	

CLIENT :
佳明集團控股有限公司
 GRAND MING GROUP HOLDINGS LIMITED

MAIN CONTRACTOR :
GRAND TECH CONSTRUCTION CO. LTD.

ARCHITECT : **WONG TUNG & PARTNERS LIMITED**
 ARCHITECTS & PLANNERS

STRUCTURAL ENGINEER :
C M WONG & ASSOCIATES LTD

美特鋁質有限公司
 MIDI ALUMINUM FABRICATOR LTD.
 Units 6-8, Sunray Industrial Centre, 1/F
 610 Cha Kwo Ling Road, Kowloon
 Tel: 23489211-4 Fax: (852) 27727666

PROJECT :
 RESIDENTIAL DEVELOPMENT AT
 TSING YI TOWN LOT 190 SAI SHAN ROAD

TITLE :
 WINDOW LOCATION PLAN
 OF TOWER 1/ TOWER 1A (35/F)

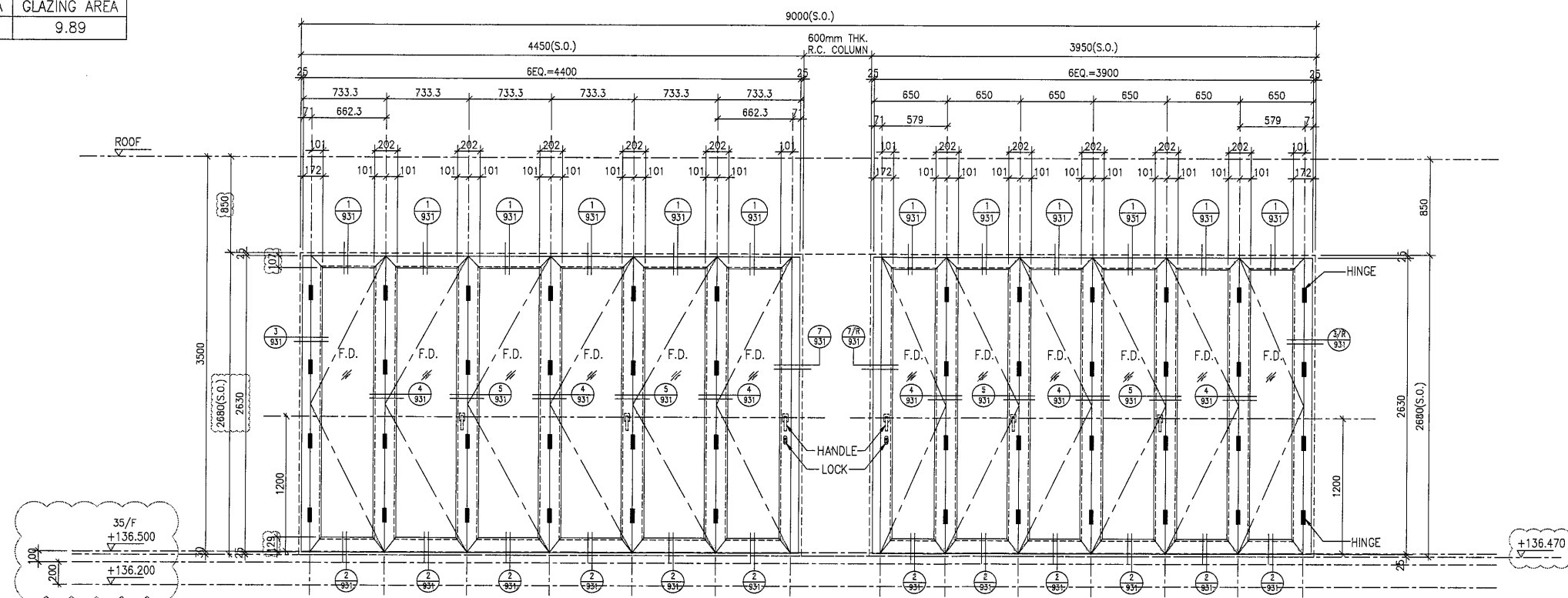
JOB NO. : J-851

DRAWN BY : DATE : 2-12-2019

CHKD BY : SCALE A1:
 A3: 1:200

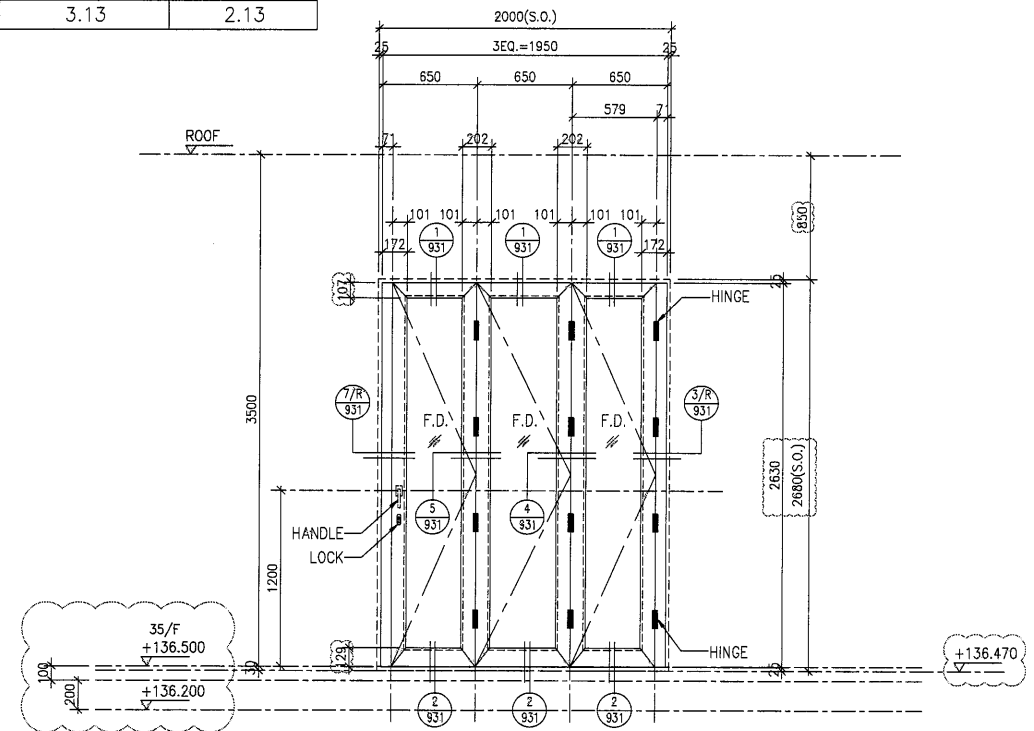
DWG. NO. : J851-IW-107 REV. : E

OPENABLE AREA	GLAZING AREA
13.87	9.89



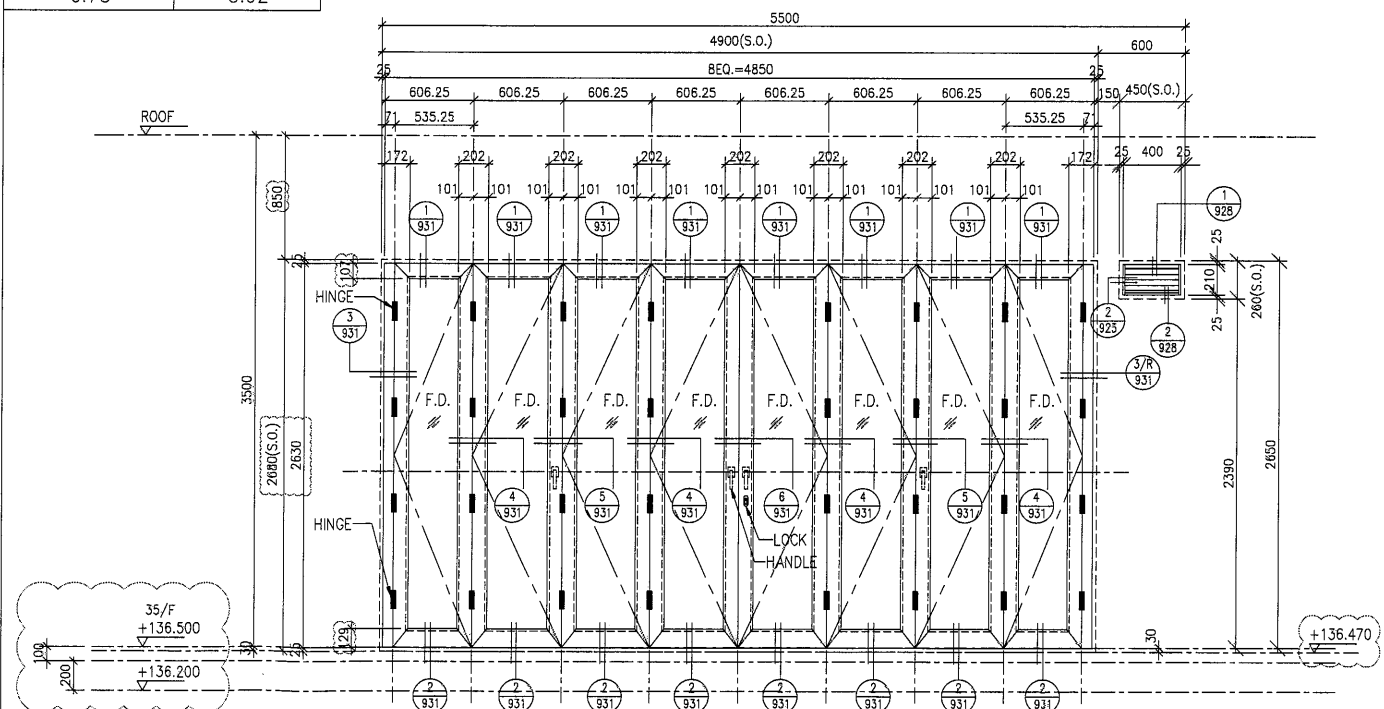
WINDOW MARK	W67 T1 1 no.	LOCATION	TOWER 1A FLAT A LIV. & DIN(35/F)
GLAZING	GLO2	FRAME	AL11
REMARK	SITE IN-SITU WINDOW		

OPENABLE AREA	GLAZING AREA
3.13	2.13



WINDOW MARK	W68 T1 1 no. W68 T2 1 no.	LOCATION	TOWER 1 FLAT A LIV. & DIN(35/F) TOWER 2 FLAT A LIV. & DIN(35/F)
GLAZING	GLO2	FRAME	AL11
REMARK	SITE IN-SITU WINDOW		

OPENABLE AREA	GLAZING AREA
6.73	3.92



WINDOW MARK	W69 T1 1 no.	LOCATION	TOWER 1 FLAT B LIV. & DIN(35/F)
GLAZING	GLO2	FRAME	AL11
REMARK	SITE IN-SITU DOOR & LOUVRE		

B.D. REF :
F.S.D. REF :
Note :
1. All dimensions are in mm.
2. All elevations are viewed from outside.
3. All dimensions to be verified on site before fabrication.

GENERAL NOTES
Legend :
1. F.F.L--- Finished Floor Level
2. S.F.L--- Structural Floor Level
3. (R) --- Reversed Detail
X1 --- DETAIL MARK NO.
X001 --- REFER SHEET NO.
GLO2 --- GREY BLUE MONOLITHIC GLASS (12mm) w/
DRAK GREY WINDOW FRAME IN PVF2 FINISH

NO.	DATE	REVISED	BY
E	16.11.2020	GENERAL REVISION	
D	02.11.2020	GENERAL REVISION	
C	13.07.2020	GENERAL REVISION	
B	20.03.2020	GENERAL REVISION	
A	05.03.2020	GENERAL REVISION	

CLIENT :
佳明集團控股有限公司
GRAND MING GROUP HOLDINGS LIMITED

MAIN CONTRACTOR :
GRAND TECH CONSTRUCTION CO. LTD.

ARCHITECT :
WONG TUNG & PARTNERS LIMITED
ARCHITECTS & PLANNERS
WT

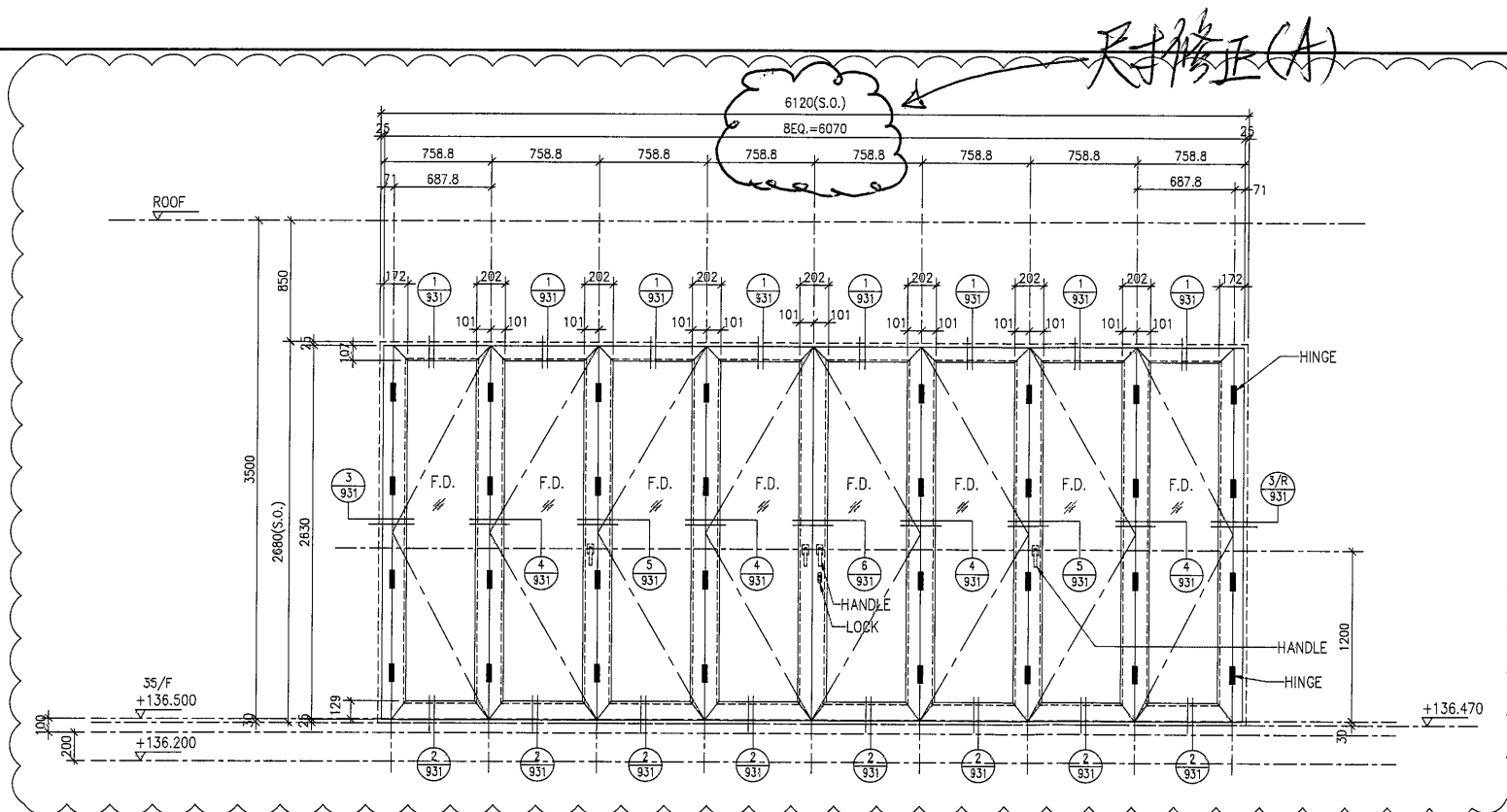
STRUCTURAL ENGINEER :
C M WONG & ASSOCIATES LTD

美特鋁質有限公司
MIDI ALUMINIUM FABRICATOR LTD.
Units 6-8, Sunray Industrial Centre, 1/F
610 Cha Kwo Ling Road, Kowloon
Tel:23489211-4 Fax:(852)27727666

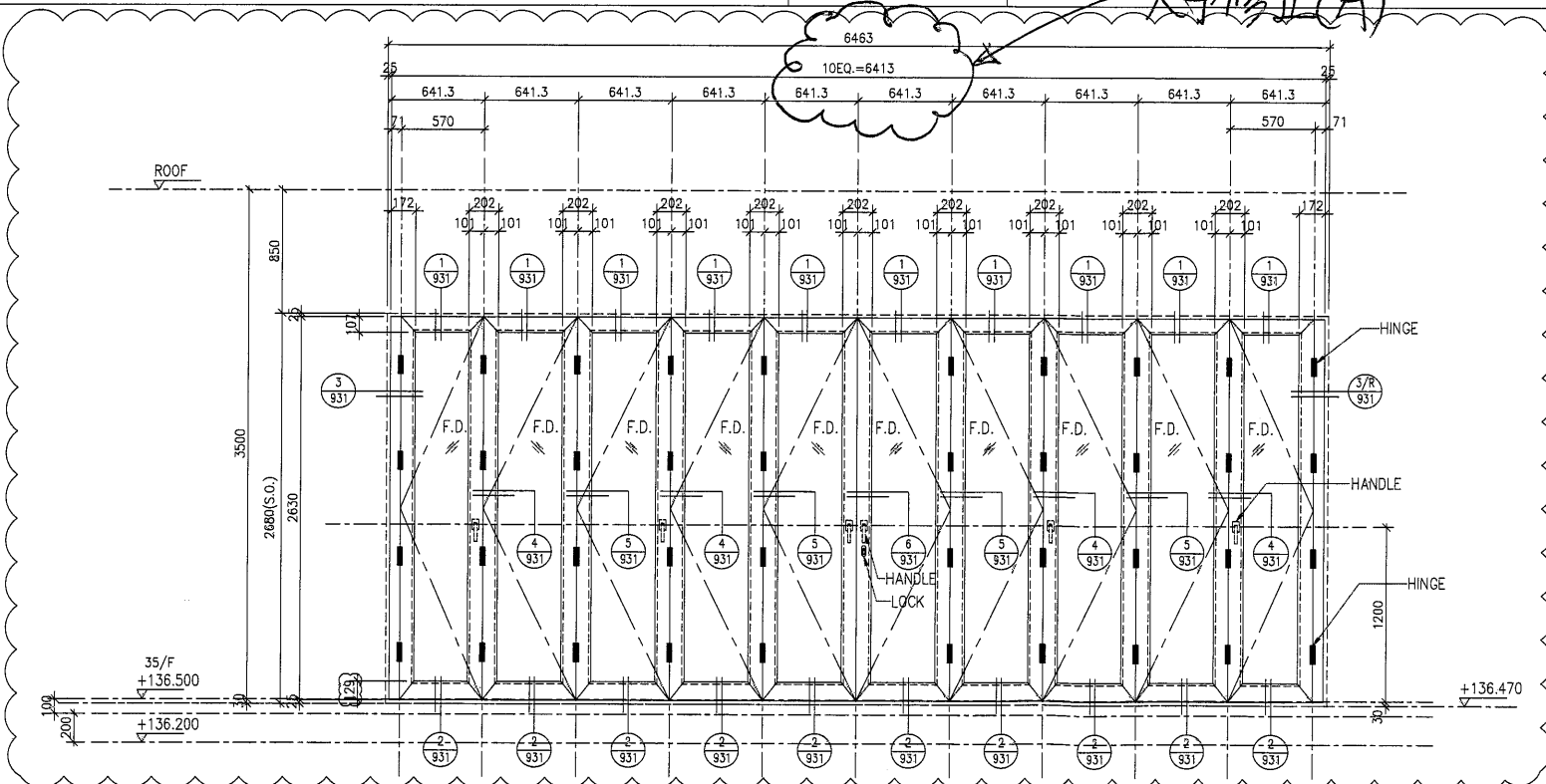
PROJECT :
RESIDENTIAL DEVELOPMENT AT
TSING YI TOWN LOT 190 SAI SHAN ROAD

TITLE :
WINDOW SCHEDULE
OF TOWER 1/ TOWER 1A
AND TOWER 2/ TOWER 2A

JOB NO. :	J-851
DRAWN BY :	DATE : 2-12-2019
CHKD BY :	SCALE A1: A3: 1:50
DWG. NO. :	REV. : J851-IW-121 E



WINDOW MARK	1 no.	LOCATION	TOWER 2 FLAT B LIV. & DIN(35/F)	WINDOW MARK	LOCATION
GLAZING	GLO2	FRAME	AL11	GLAZING	FRAME
REMARK	SITE IN-SITU WINDOW		REMARK		



WINDOW MARK	1 no.	LOCATION	TOWER 2A FLAT A LIV. & DIN(35/F)	WINDOW MARK	LOCATION
GLAZING	GLO2	FRAME	AL11	GLAZING	FRAME
REMARK	SITE IN-SITU WINDOW		REMARK		

B.D. REF :
 F.S.D. REF :
 Note :
 1. All dimensions are in mm.
 2. All elevations are viewed from outside.
 3. All dimensions to be verified on site before fabrication.

GENERAL NOTES
 Legend :
 1. F.F.L. --- Finished Floor Level
 2. S.F.L. --- Structural Floor Level
 3. (R) --- Reversed Detail
 (X1) --- DETAIL MARK NO.
 (X001) --- REFER SHEET NO.
 GLO2 --- GREY BLUE MONOLITHIC GLASS (12mm) w/
 DRAK GREY WINDOW FRAME IN PVF2 FINISH

NO.	DATE	REVISED	BY
E	18.11.2020	GENERAL REVISION	
D	02.11.2020	GENERAL REVISION	
C	13.07.2020	GENERAL REVISION	
B	20.03.2020	GENERAL REVISION	
A	05.03.2020	GENERAL REVISION	

CLIENT :
佳明集團控股有限公司
 GRAND MING GROUP HOLDINGS LIMITED

MAIN CONTRACTOR :
GRAND TECH CONSTRUCTION CO. LTD.

ARCHITECT : **WONG TUNG & PARTNERS LIMITED**
 ARCHITECTS & PLANNERS

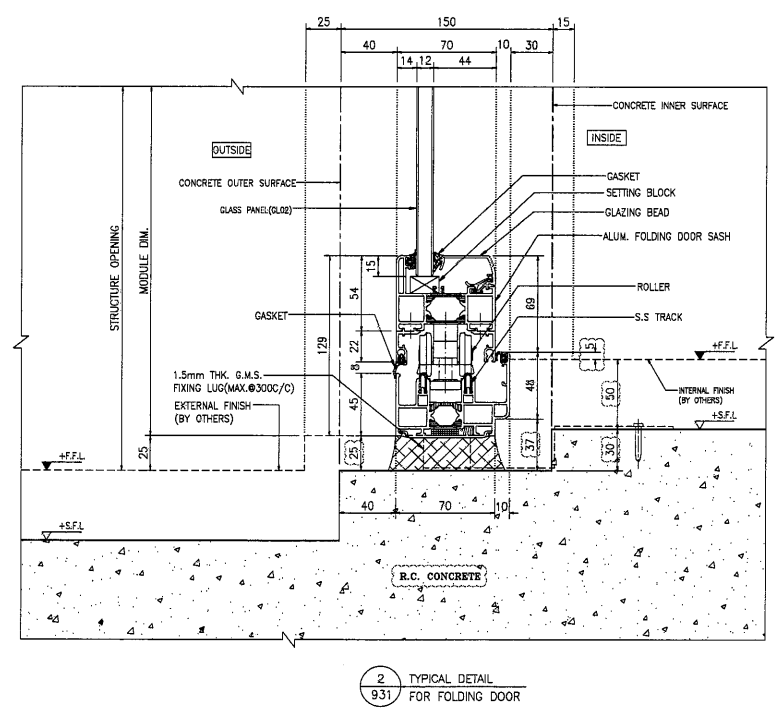
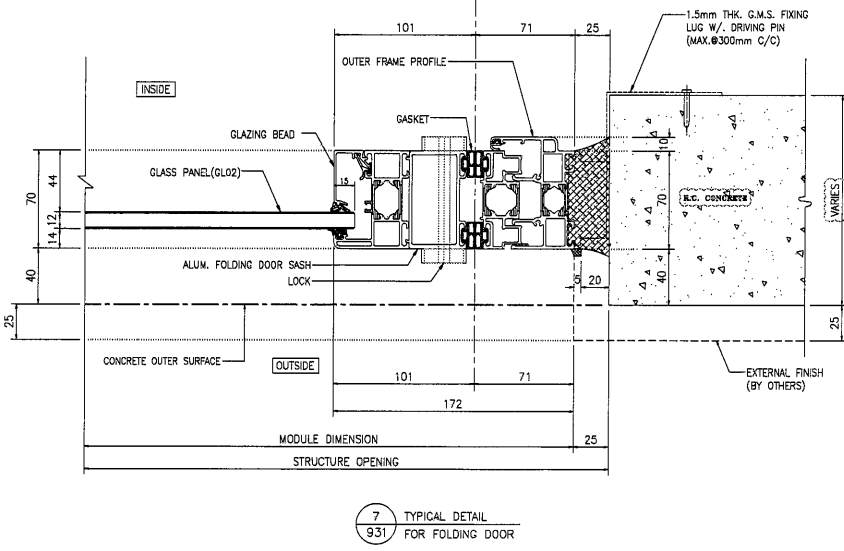
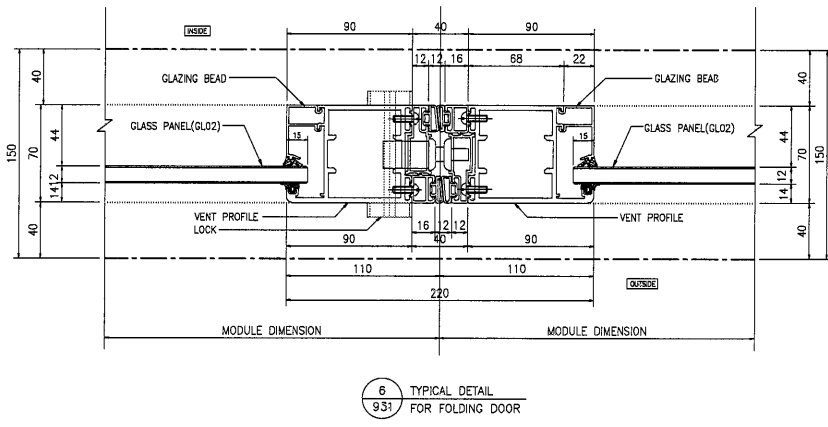
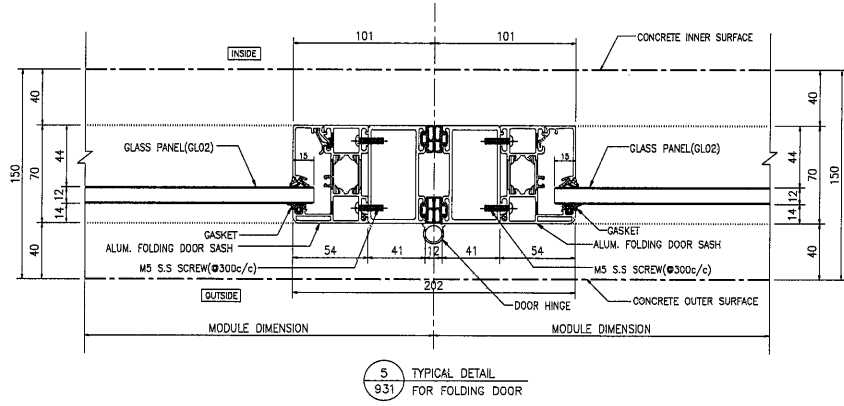
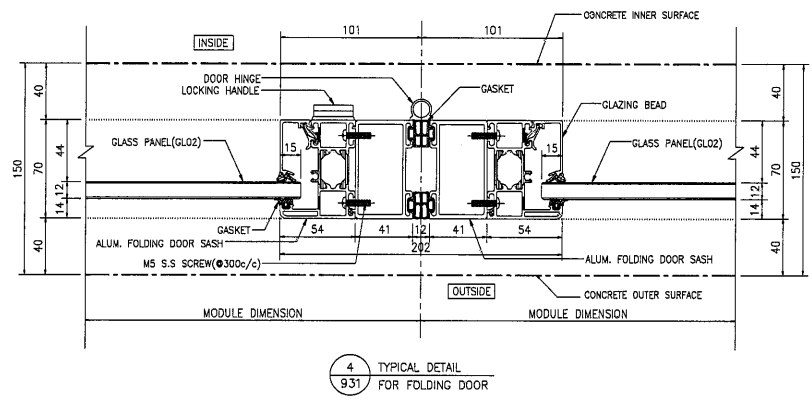
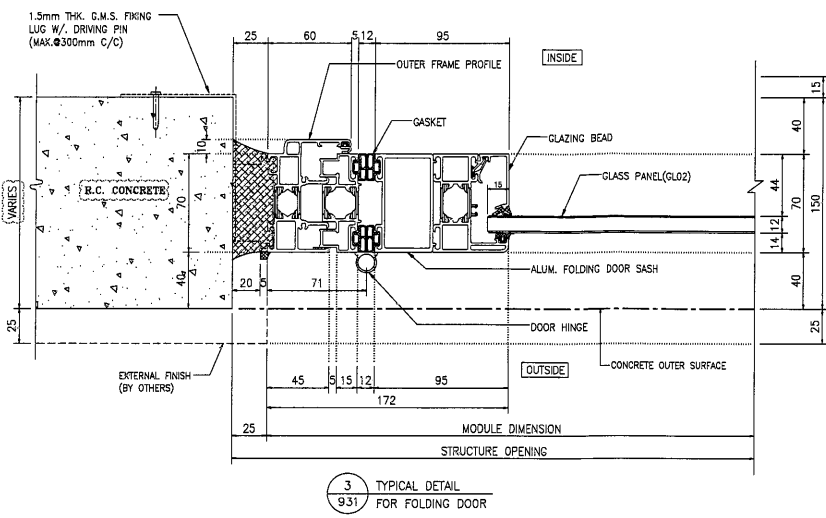
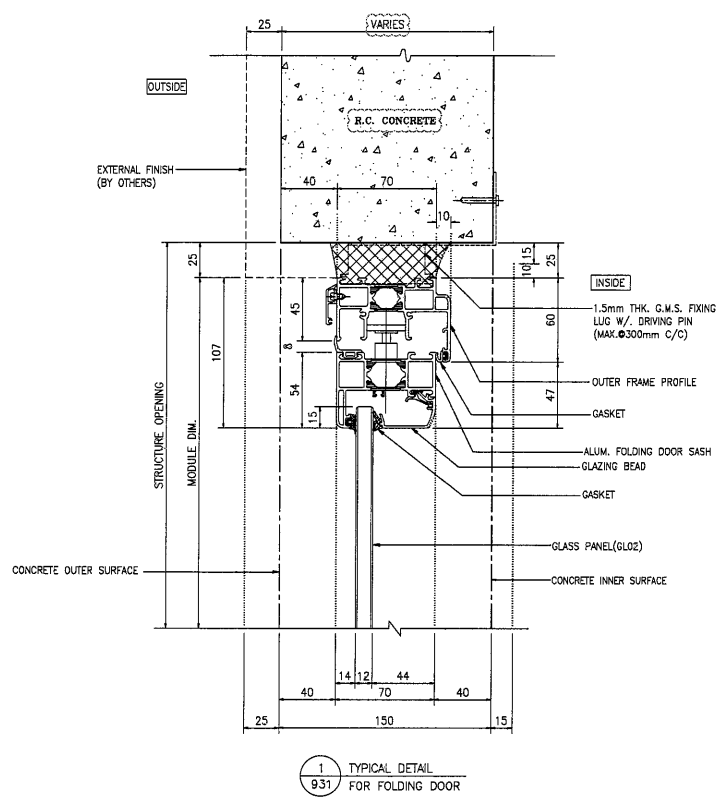
STRUCTURAL ENGINEER :
C M WONG & ASSOCIATES LTD

美特鋁質有限公司
 MIDI ALUMINIUM FABRICATOR LTD.
 Units 6-8, Sunray Industrial Centre, 1/F
 610 Cha Kwo Ling Road, Kowloon
 Tel: 23489211-4 Fax: (852) 27727666

PROJECT :
 RESIDENTIAL DEVELOPMENT AT
 TSING YI TOWN LOT 190 SAI SHAN ROAD

TITLE :
 WINDOW SCHEDULE
 OF TOWER 2/ TOWER 2A

JOB NO. :	J-851
DRAWN BY :	DATE : 2-12-2019
CHKD BY :	SCALE A1: A3: 1:50
DWG. NO. :	J851-IW-122
REV. :	E



B.D. REF :
 F.S.D. REF :
 Note :
 1. All dimensions are in mm.
 2. All elevations are viewed from outside.
 3. All dimensions to be verified on site before fabrication.

GENERAL NOTES
 Legend :
 1. F.F.L. --- Finished Floor Level
 2. S.F.L. --- Structural Floor Level
 3. (R) --- Reversed Detail

X1 --- DETAIL MARK NO.
 X001 --- REFER SHEET NO.

GL02 --- GREY BLUE MONOLITHIC GLASS (12mm) w/
 DRAK GREY WINDOW FRAME IN PVF2 FINISH

NO.	DATE	REVISED	BY
C	02.11.2020	GENERAL REVISION	
B	05.03.2020	GENERAL REVISION	
A	13.02.2020	GENERAL REVISION	


CLIENT :
佳明集團控股有限公司
 GRAND MING GROUP HOLDINGS LIMITED

MAIN CONTRACTOR :
GRAND TECH CONSTRUCTION CO. LTD.

ARCHITECT :
WONG TUNG & PARTNERS LIMITED
 ARCHITECTS & PLANNERS



STRUCTURAL ENGINEER :
C M WONG & ASSOCIATES LTD



美特鋁質有限公司
 MIDI ALUMINIUM FABRICATOR LTD.
 Units 6-8, Sunray Industrial Centre, 1/F
 610 Cha Kwo Ling Road, Kowloon
 Tel: 23489211-4 Fax: (852) 2727666



PROJECT :
 RESIDENTIAL DEVELOPMENT AT
 TSING YI TOWN LOT 190 SAI SHAN ROAD

TITLE :
 TYPICAL DETAIL FOR
 FOLDING DOOR

JOB NO. : J-851
 DRAWN BY : DATE : 2-12-2019
 CHKD BY : SCALE A1: A3: 1:5
 DWG. NO. : J851-IW-931 REV. : C