

工程指示 / 要求簡箋(E.I.)

工程指示編號：EI / 1748 / 20

修改版次：-

工程編號：J851

工程名稱：青衣 明翹匯

工程項目：鋁料加工圖 (預制窗)

收件人：生統

發件人：Kin 日期：25/04/2020

要求提供 / 確認 事項：

- | | | |
|------------------------------------|-------------------------------------|-------------------------------|
| <input type="checkbox"/> 初步鋁料 B.M. | <input type="checkbox"/> 加工拆圖，然後生產 | <input type="checkbox"/> 尺寸表 |
| <input type="checkbox"/> 正式鋁料 B.M. | <input type="checkbox"/> 技術上資料 / 指示 | <input type="checkbox"/> 報價 |
| <input type="checkbox"/> 配件 B.M. | <input type="checkbox"/> 樣辦或貨品說明書 | <input type="checkbox"/> 分判合約 |
| <input type="checkbox"/> 其他：_____ | | |

內容：

請按附頁加工，送預制場。(修改加工圖)

因 EI1678 已到 J 版，無法登記，此 EI 1748 為 EI1555 及 EI1678 的修改版

請在 29/4/2020 前完成上列要求。

附：

1+29 頁

以上項目為：

- 原合約工程包 原合約工程加 / 減賬 新工程報價

原因：-

分發東莞各部門：

- 生產技術總監 連附件 技術部 連附件 生產部 連附件 機械設計部 連附件
 採購部 連附件 生產統籌部 連附件
 質檢部 連附件 會計部 連附件 報關組 連附件 其他 _____ 連附件

分發香港各部門：

- 行政部 連附件 會計部 連附件 統籌部 連附件 工程部地盤科文 連附件
 採購部 連附件 QS 部 連附件 維修部 連附件 其他 _____ 連附件

傳遞編號：

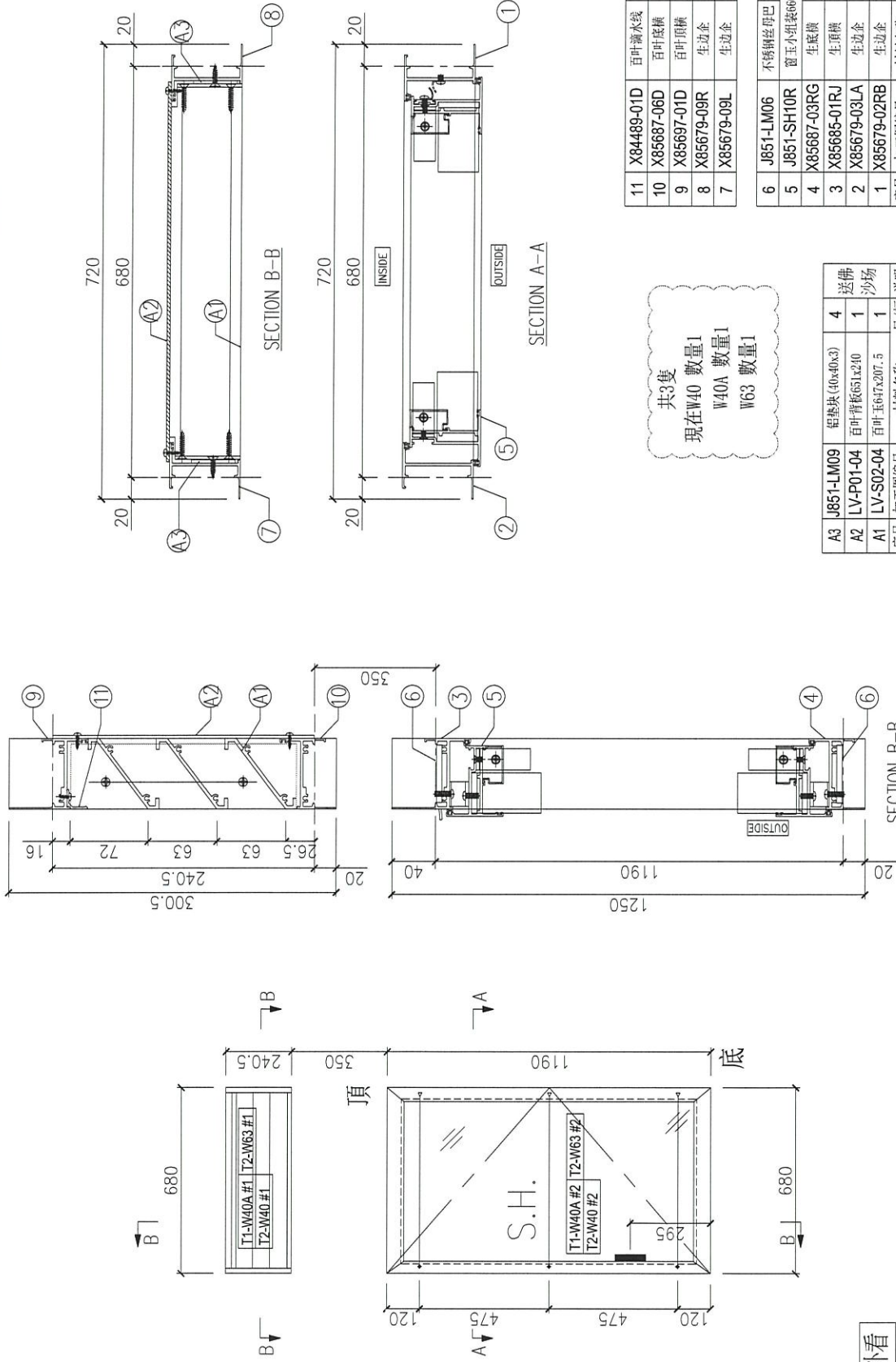
HK 0698 / 20

發件人簽署：

項目經理簽署：

Kin
Kin P.P.

FABRICATION DRAWING



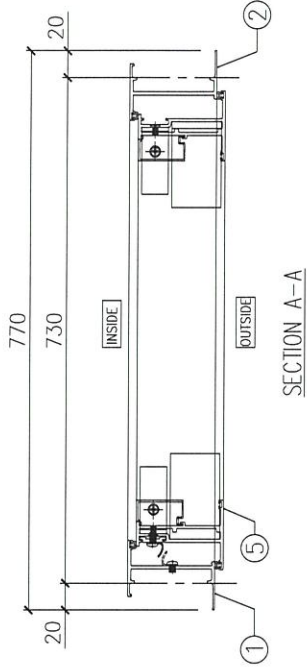
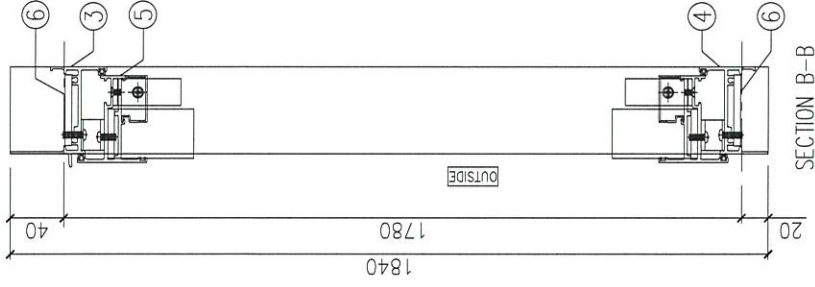
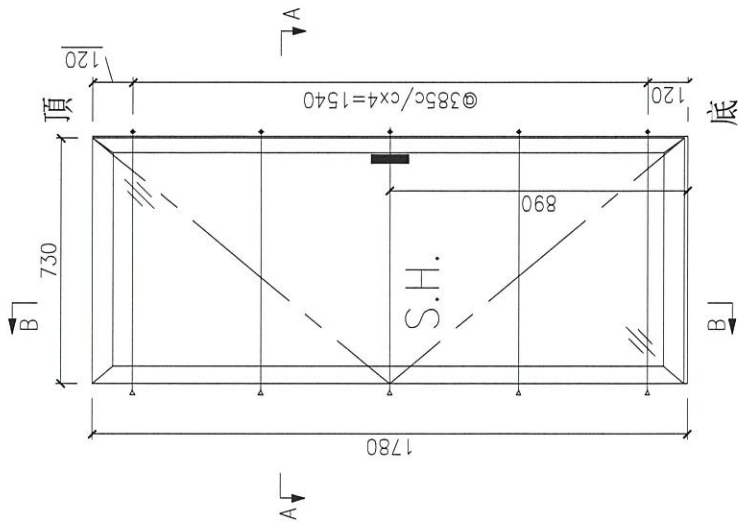
11	X84489-01D	百叶滴水线	640	1
10	X85687-06D	百叶底横	654	1
9	X85697-01D	百叶顶横	654	1
8	X85679-09R	生边企	300.5	1
7	X85679-09L	生边企	300.5	1

6	J851-LM06	不锈钢丝母巴	25	6
5	J851-SH10R	窗玉小组装600x1170	1	1
4	X85687-03RG	生底横	654	1
3	X85685-01RJ	生顶横	666	1
2	X85679-03LA	生边企	1250	1
1	X85679-02RB	生边企	1250	1

共3隻
現在W40 數量1
W40A 數量1
W63 數量1

A3	J851-LM09	铝垫块 (10x40x3)	4	送佛
A2	LV-P01-04	百叶背板(651x210)	1	沙场
A1	LV-S02-04	百叶玉617x207.5	1	

Remarks:		Description: 门窗组裝图	
Project Name: 青衣190	Project No: J851	Check: KEN	Material: UCT53419JSC-3
Shop Drawing No: PRE-CAST ALUM. WINDOW & LOUVRE	Rev: -	Date: 25-02-2020	Finish: W.E.X
		Drawn: W.E.X	
		Date: 25-02-2020	
		Quantity: 1+1+1	
		Tolerance: ±0.5	
		Factory: (Site)	
		Projection: (Symbol)	
		Assembly No: T1-W40A/T2-W40/T2-W63	
		Rev: -	



此窗號原為T2-W73A, 現改為T2-W74

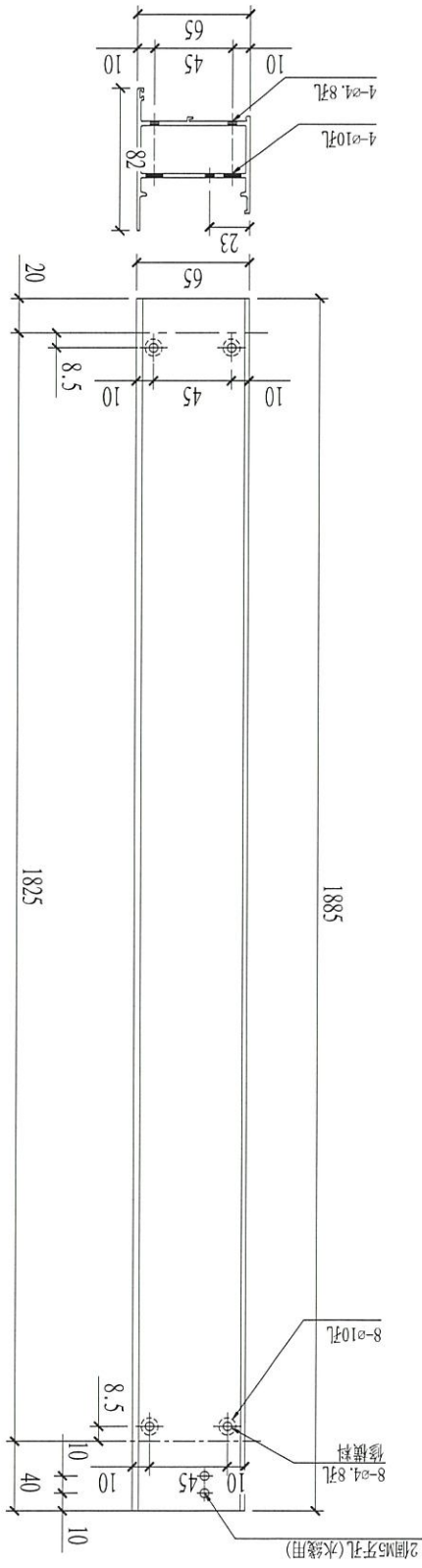
採用2017-D22帶钥匙拉手

*由室外看

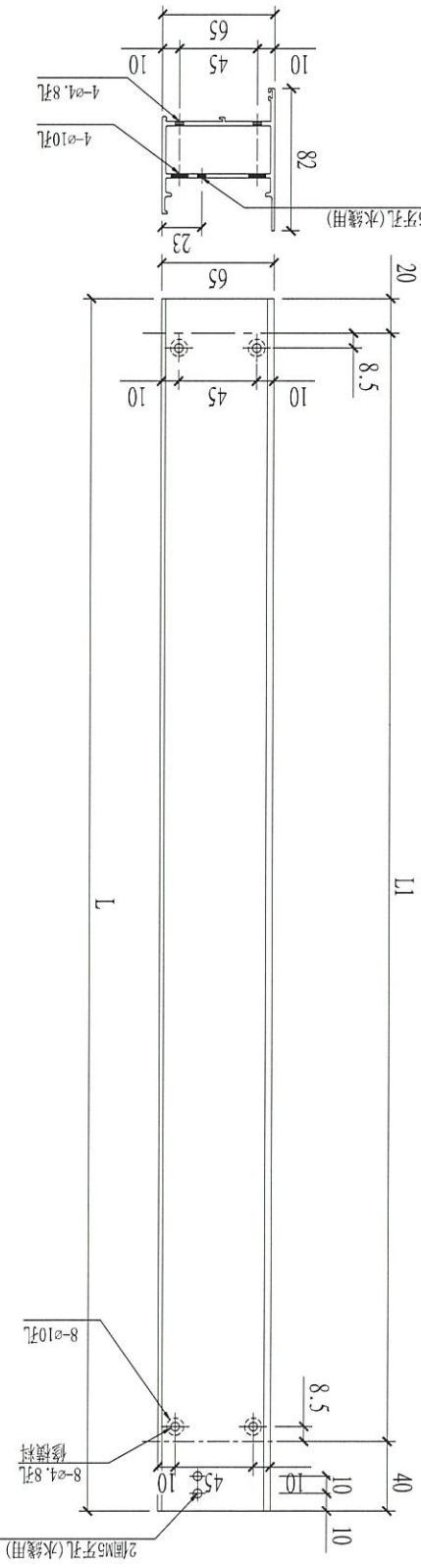
6	J851-LM06	不锈钢丝母巴	25	6
5	J851-SH18L	窗玉小组装T10x1760	1	1
4	X85687-03LH	生底槽	704	1
3	X85685-01LK	生顶横	716	1
2	X85679-03RF	生边企	1840	1
1	X85679-02LJ	生边企	1840	1
	序号	加工图编号	材料名称	长度
			支/幅	

Remarks:	Checked: KEN	Description: 门窗组装图	Delivery to Rev.:	Amendments:
Project Name: 青衣190	Date: 25-02-2020	Material:	QTY: 27+2	
Shop Drawing No. PRE-CAST ALUM. WINDOW & LOUVRE	Drawn: W.E.X	Finish: UCT534193SC-3	Tolerance: ±0.5	
	Date: 25-02-2020		Projection:	
	Project No. J851		Factory:	
	Rev. -		Site:	
			Assembly No. T2-W72/T2-W74	Rev. -

FABRICATION DRAWING



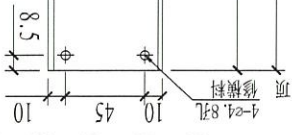
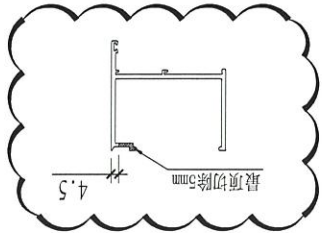
序号	部件编号	L	L1
1	X85677-02RA	1885	1825
2	X85677-02RB	1250	1190
3	X85677-02RC	1810	1750
4	X85677-02RD	1710	1650
5	X85677-02RE	2290	2230



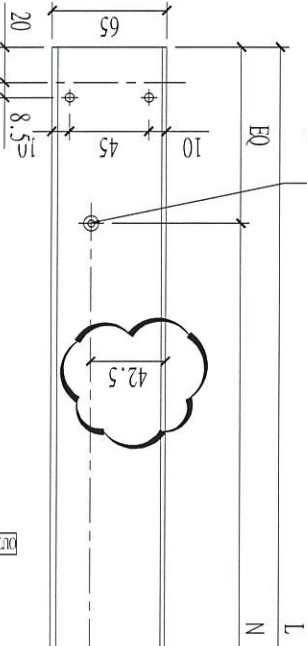
序号	部件编号	L	L1
1	X85677-02LA	1885	1825
2	X85677-02LB	1250	1190
3	X85677-02LC	1810	1750
4	X85677-02LD	2040	1980
5	X85677-02LE	2290	2230

Remarks:	Project Name:	青木卓	Project No.:	1851	Checked:	KEN	Description:	梗边企, X856772	QTY:		Delivery to Rev.:		Date:		Amendments:		
	Shop Drawing No.:	PRE-CAST ALUM. WINDOW & LOUVRE	Rev.:	A	Date:	22-12-2014	Material:	6061-T6	Tolerance:	±0.5	Factory:		Site:		Assembly No.:	X85677-02	
					Drawn:	W.E.X	Finish:	UC7534193SC-3								Rev.:	

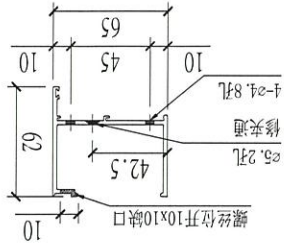
FABRICATION DRAWING



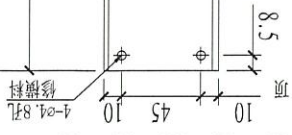
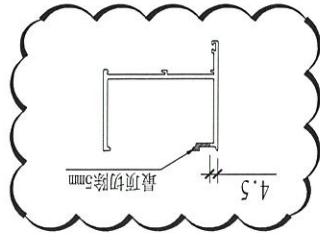
OUTSIDE



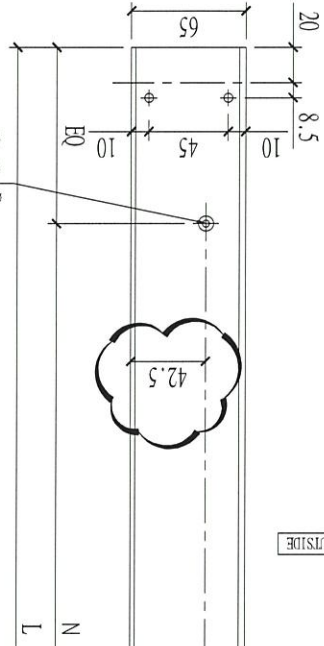
修夹通
修圆头螺絲
φ5.2孔



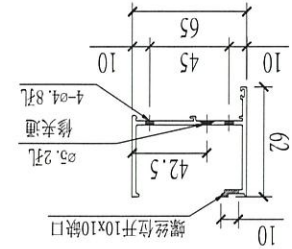
序号	部件编号	L	N
1	X85682-01RA	1755	5x300/c



OUTSIDE



修夹通
修圆头螺絲
φ5.2孔



序号	部件编号	L	N
2	X85682-01LB	1655	5x300/c
1	X85682-01LA	1755	5x300/c

Remarks:

Project Name: 青衣190

Checked: KEN

Description: 梗夹企, X856822

Date: 22-12-2014

Material: 6061-T6

Project No. 1851

Drawn: W.E.X

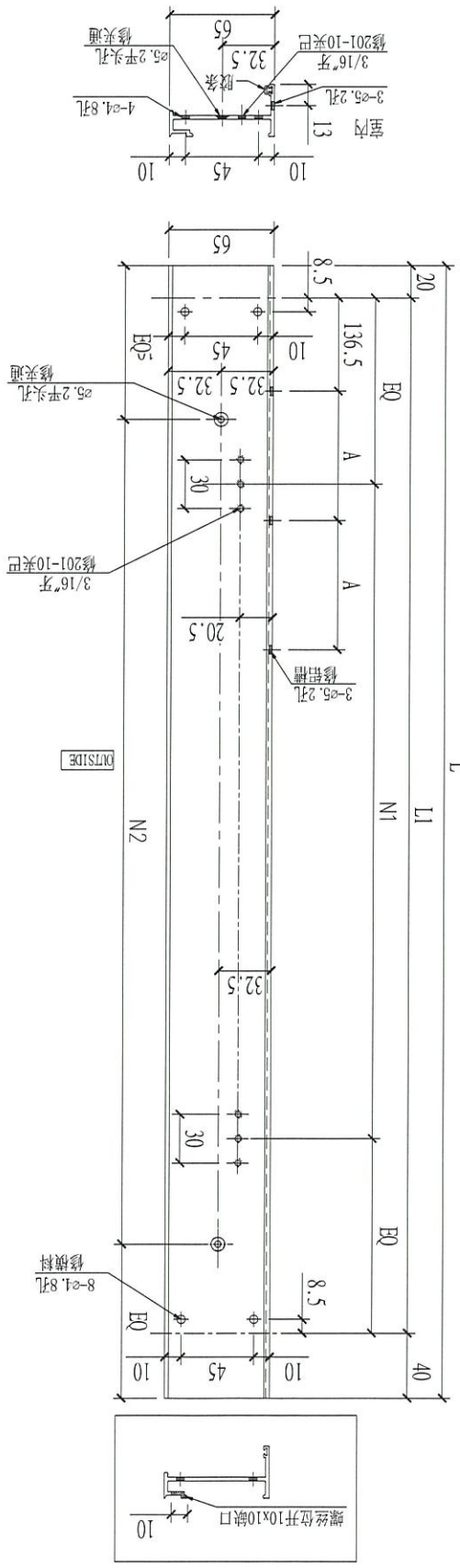
Date: 22-12-2014

Finish: UC7534193SC-3

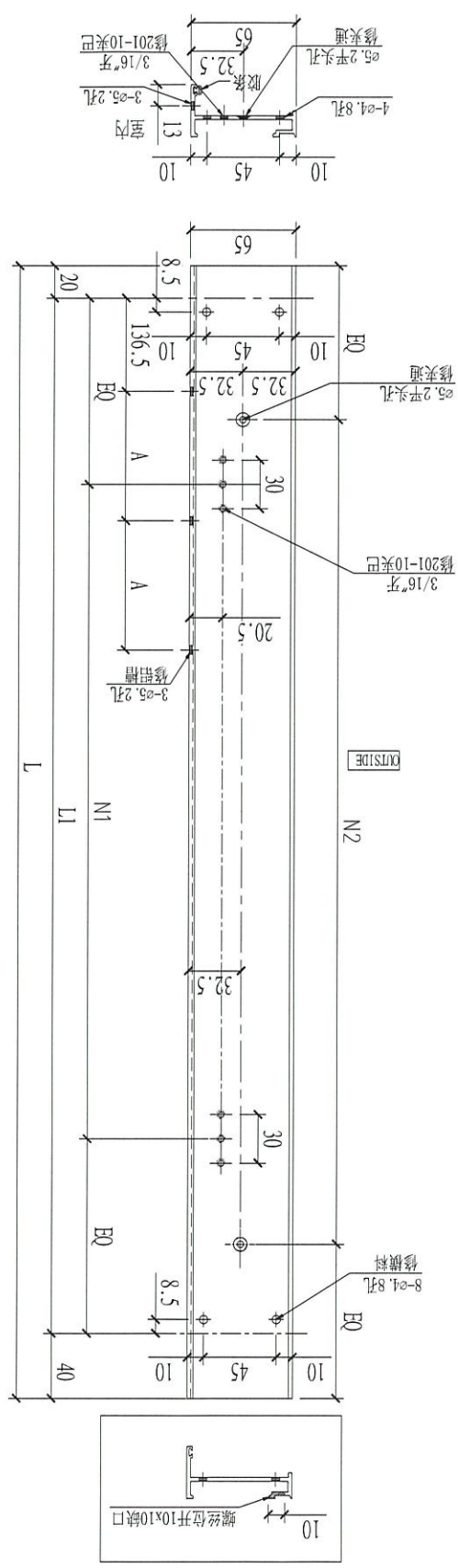
Rev. V

QTY:	Delivery to Rev.	Date	Amendments
Tolerance: ±0.5	Factory		
Projection:	Site	Assembly No.	Rev.
		X85682-10	B

FABRICATION DRAWING



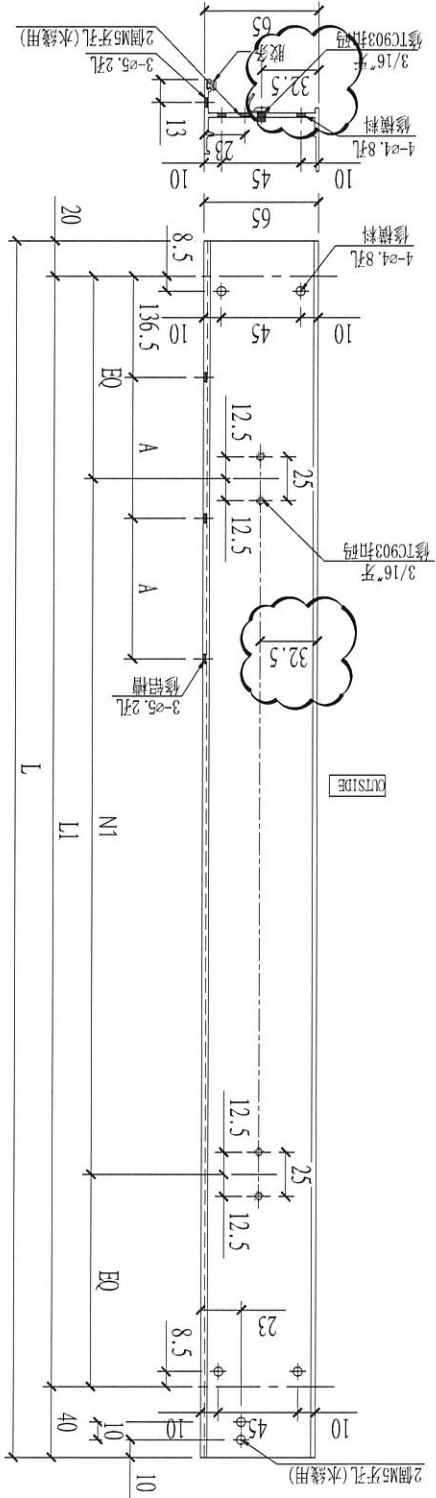
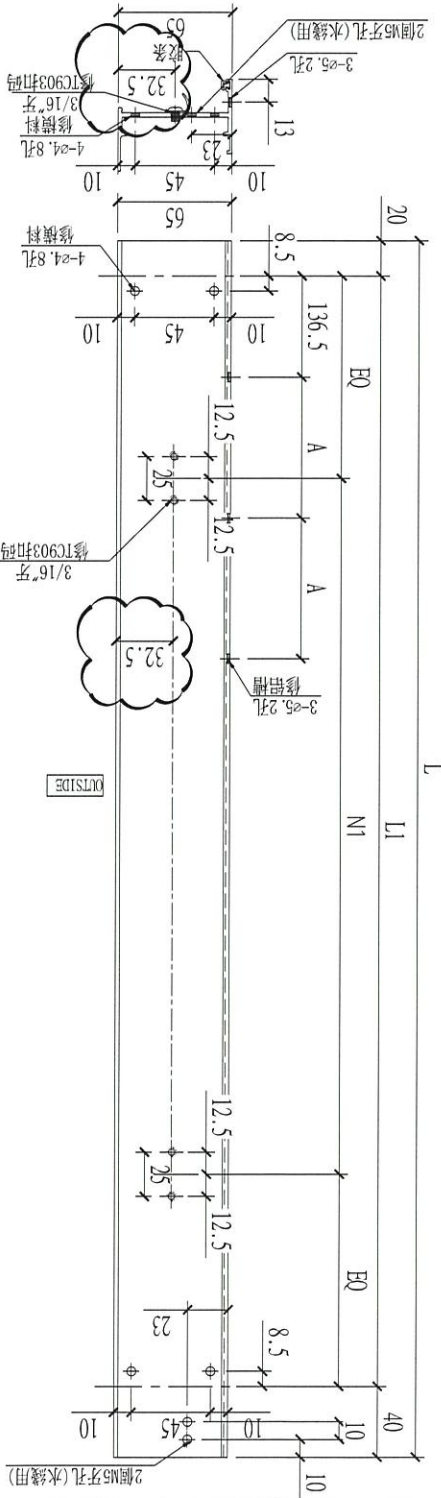
序号	部件编号	L	L1	A	N1	N2
1	X85683-02RA	1885	1825	182.5	4x395c/c	6x290c/c
2	X85683-02RB	1810	1750	182.5	4x375c/c	6x275c/c
3	X85683-02RC	1710	1650	182.5	3x470c/c	5x300c/c
4	X85683-02RD	2040	1980	227.5	4x435c/c	6x300c/c



序号	部件编号	L	L1	A	N1	N2
1	X85683-02LA	1885	1825	182.5	4x395c/c	6x290c/c
2	X85683-02LB	1810	1750	182.5	4x375c/c	6x275c/c
3	X85683-02LC	-	-	-	-	-
4	X85683-02LD	2040	1980	227.5	4x435c/c	6x300c/c

Remarks:	Checked: KEN	Description: 生夹企, X856830	QTY: 1	Delivery to Rev.:	Date:	Amendments:	
	Date: 22-12-2014	Material: 6061-T6	Tolerance: ±0.1	Site:	Assembly No. X85683-02		
Project No. J851	Drawn: W.E.X	Finish: UC75341935C-3	Projection:	Rev.			
Shop Drawing No. V	Date: 22-12-2014	PRE-CAST ALUM. WINDOW & LOUVRE					
Project Name: 青衣190		MIDI Aluminium Fabricator Ltd.					

FABRICATION DRAWING



序号	部件编号	L	L1	A	N1
1	X85679-02RA	1885	1825	182.5	4x395c/c
2	X85679-02RB	-	-	-	-
3	X85679-02RC	1810	1750	182.5	4x375c/c
4	X85679-02RD	-	-	-	-
5	X85679-02RE	-	-	-	-
6	X85679-02RG	2040	1980	227.5	4x435c/c

序号	部件编号	L	L1	A	N1
1	X85679-02LA	1885	1825	182.5	4x395c/c
2	X85679-02LB	-	-	-	-
3	X85679-02LC	1810	1750	182.5	4x375c/c
4	X85679-02LD	-	-	-	-
5	X85679-02LE	-	-	-	-
6	X85679-02LF	1710	1650	182.5	3x470c/c
7	X85679-02LG	2040	1980	227.5	4x435c/c
8	X85679-02LH	-	-	-	-
9	X85679-02LJ	-	-	-	-

Remarks:

Project Name: 青衣190

Shop Drawing No. PRE-CAST ALUM. WINDOW & LOUVRE

Project No. J181

Rev. V

Checked: KEN

Date: 22-12-2014

Drawn: W.E.X

Date: 22-12-2014

Description: 生边企, X8567906

Material: 9L-1900

Finish: UCT534193SC-3

Site: Assembly No. X85679-02

Rev. B

Delivery to Rev. Date

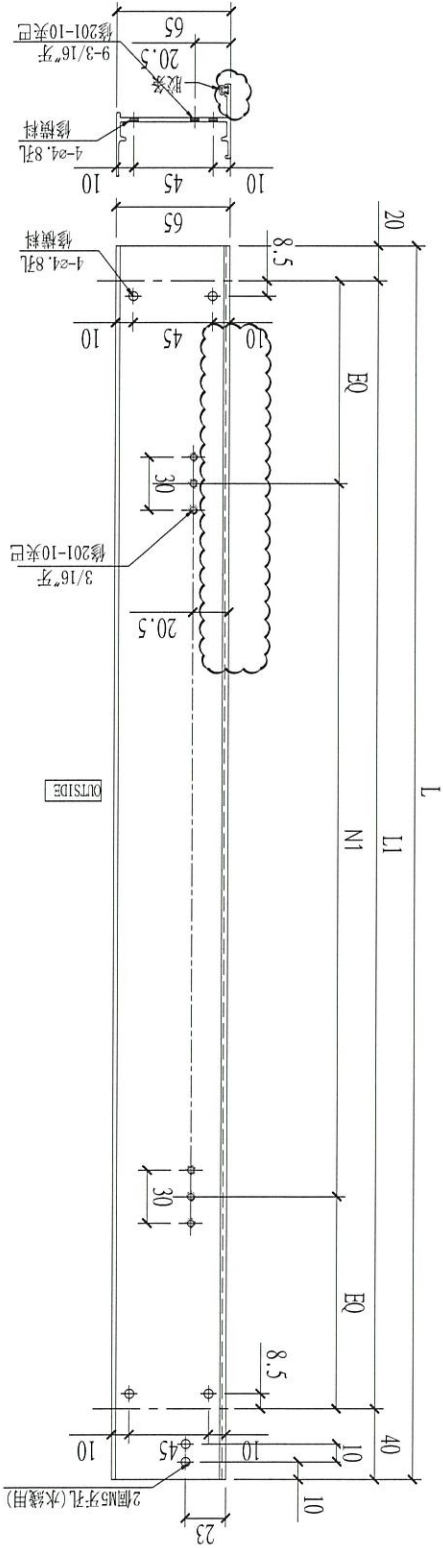
Factory

Tolerance: 5.0±

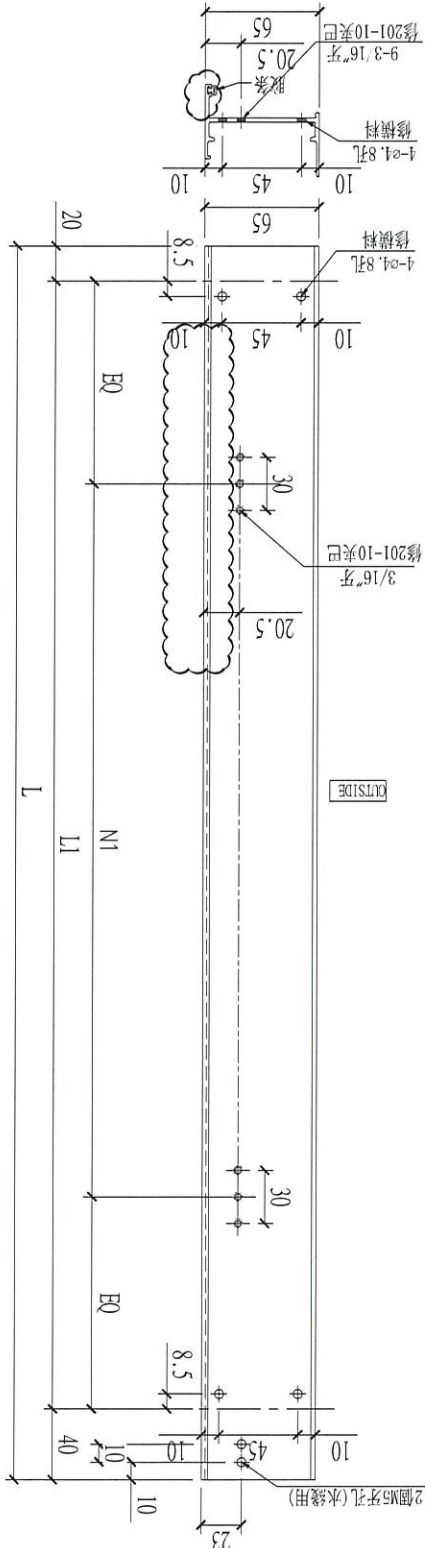
Projection:

QTY:

FABRICATION DRAWING



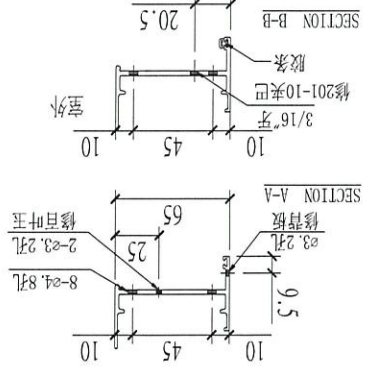
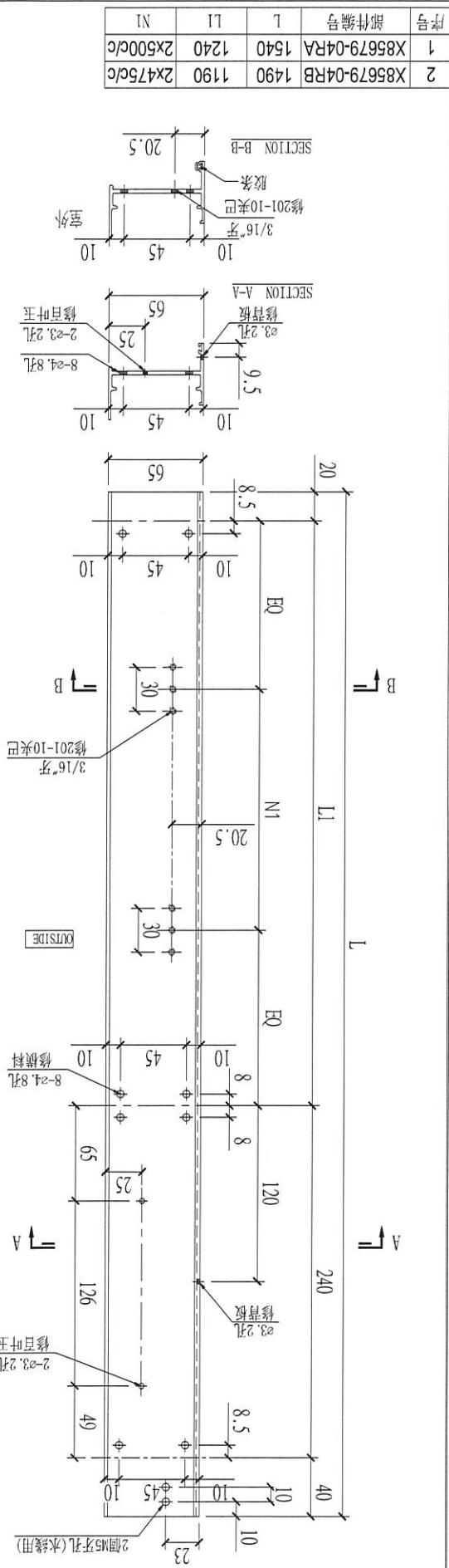
序号	部件编号	L	L1	N1
1	X85679-03RA	1250	1190	2x475c/c
2	X85679-03RB	1200	1140	2x450c/c
3	X85679-03RC	-	-	-
4	X85679-03RD	-	-	-
5	X85679-03RE	-	-	-
6	X85679-03RF	1840	1780	4x385c/c



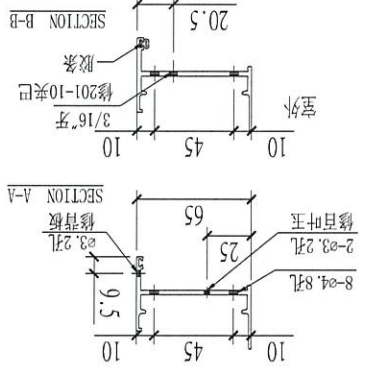
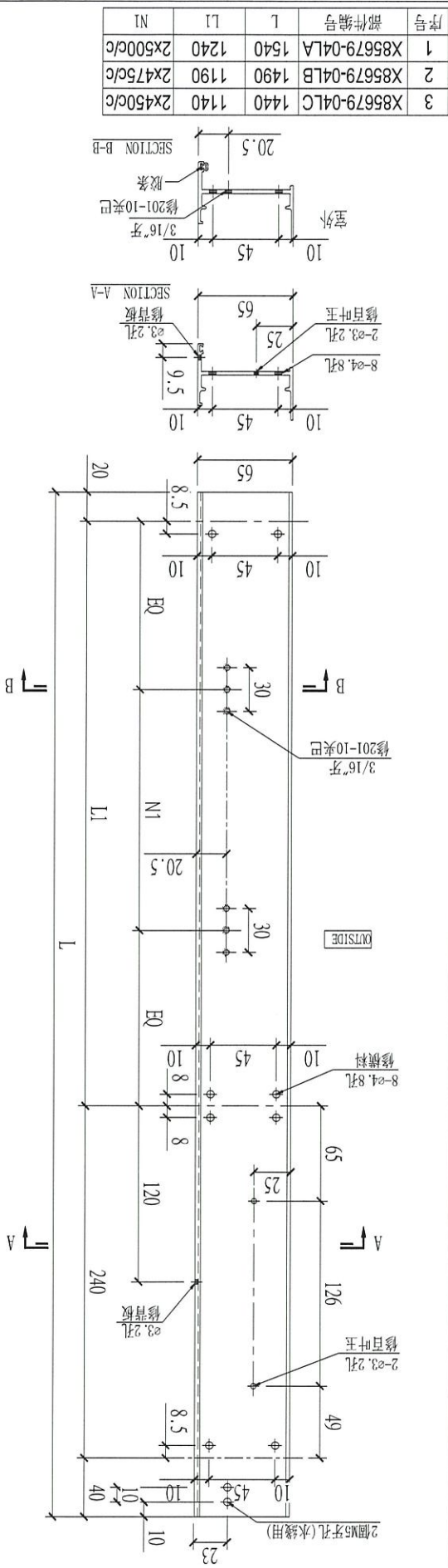
序号	部件编号	L	L1	N1
1	X85679-03LA	1250	1190	2x475c/c
2	X85679-03LB	1200	1140	2x450c/c
3	X85679-03LC	1300	1240	2x500c/c

Remarks:	Checked: KEN		Description: 生边企, X856790		QTY:		Delivery to Rev.		Amendments	
	Date: 22-12-2014	Date: 22-12-2014	Material: 6061-T6		Tolerance: ±0.5		Date		Date	
Project Name: 青衣160	Project No. 1851	Drawn: W.E.X	Finish: UCT534193SC-3		Projection:		Site		Rev.	
Shop Drawing No. PRE-CAST ALUM. WINDOW & LOUVRE	Rev. V	Date: 22-12-2014	Assembly No. X85679-03		Rev. A		Assembly No.		Rev.	

FABRICATION DRAWING



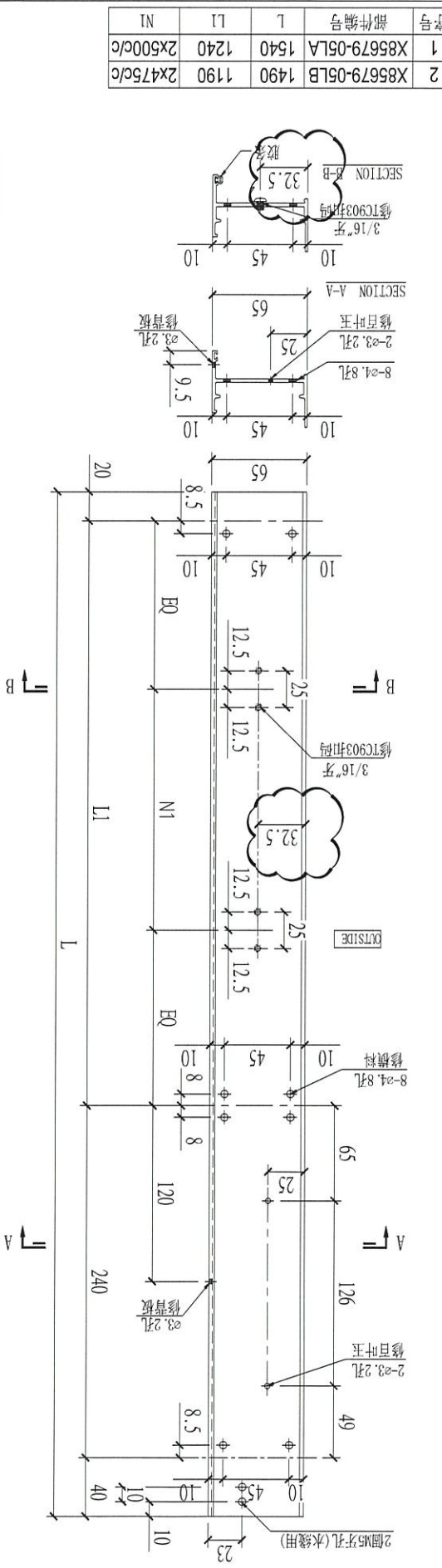
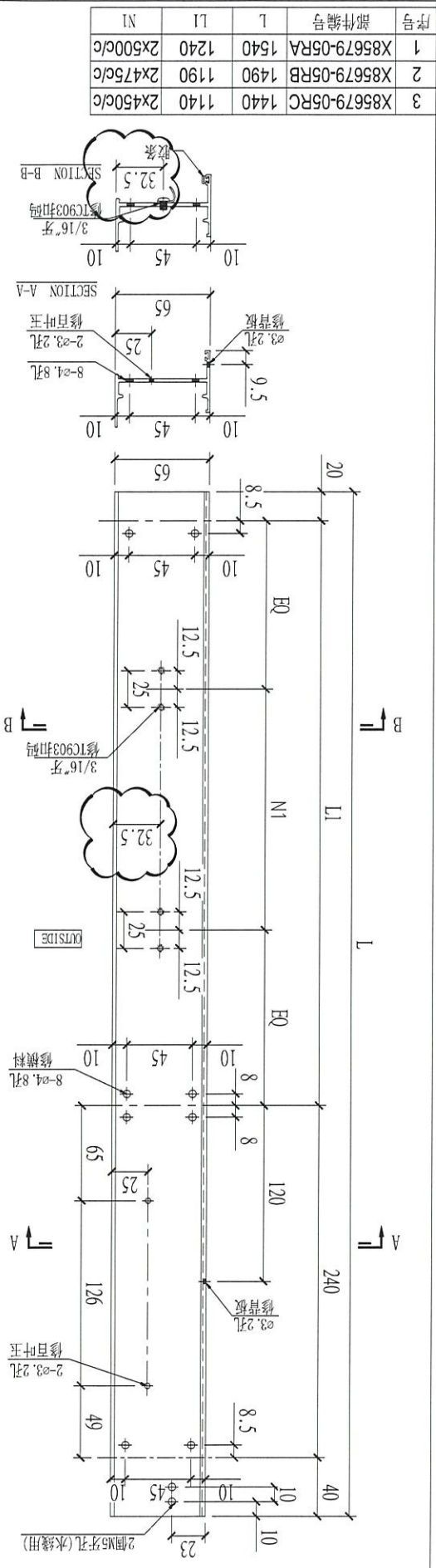
序号	部件编号	L	L1	N1
1	X85679-04RA	1540	1240	2x500/c
2	X85679-04RB	1490	1190	2x475/c



序号	部件编号	L	L1	N1
1	X85679-04LA	1540	1240	2x500/c
2	X85679-04LB	1490	1190	2x475/c
3	X85679-04LC	1440	1140	2x450/c

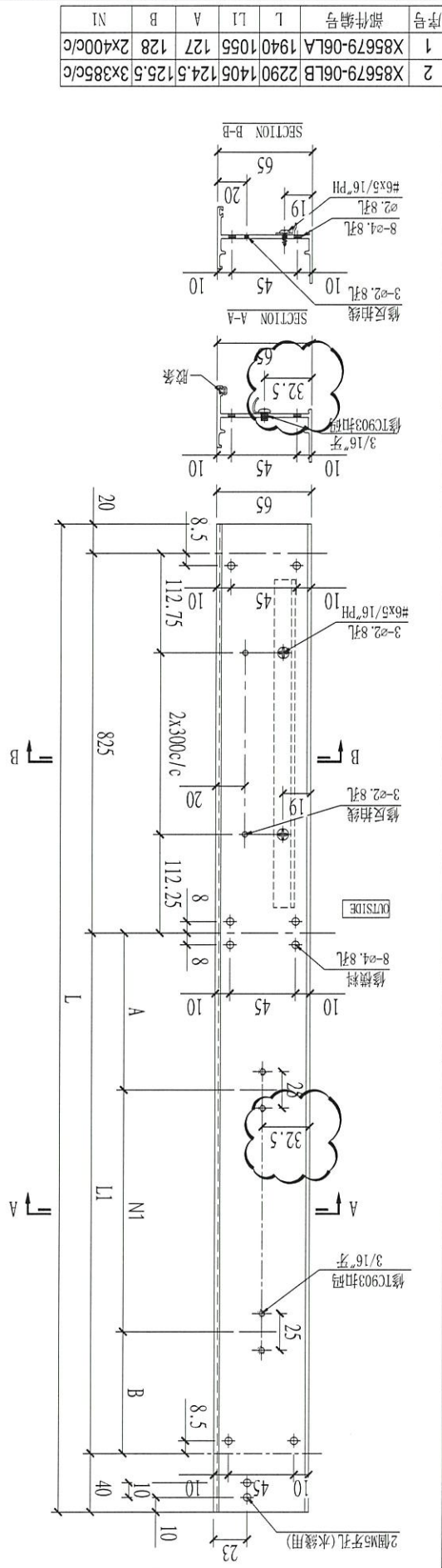
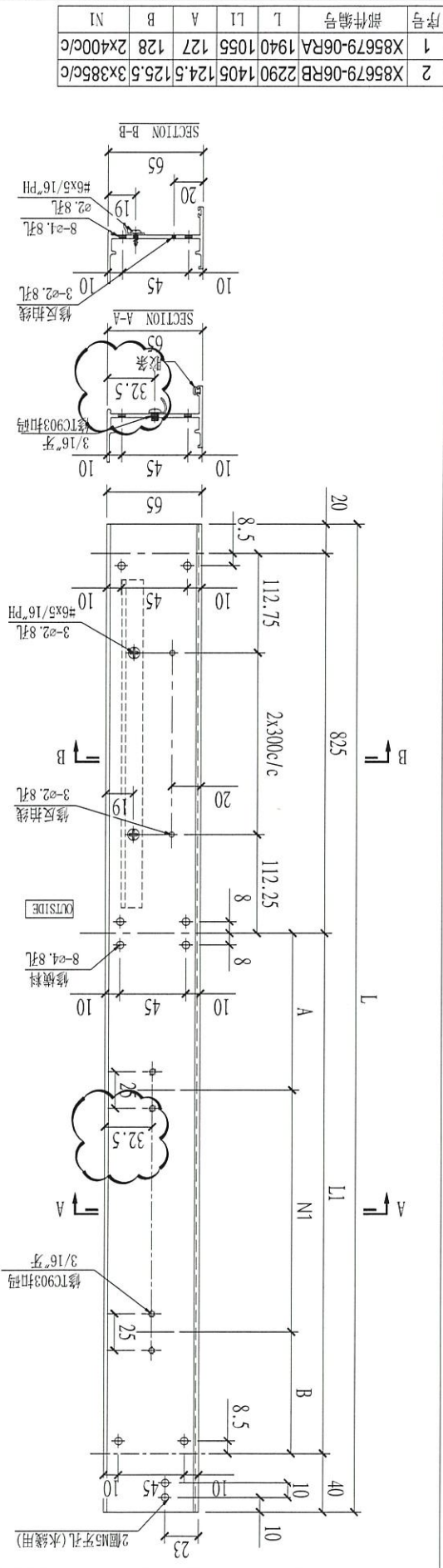
Remarks:	Checked: KEN	Description: 生边企, X856790	QTY: 1	Delivery to Rev. Factory	Date	Amendments
	Date: 22-12-2016	Material: 6061-T6	Tolerance: ±0.1	Site		
Project Name: 061号	Drawn: W.E.X	Material: 9L-1919	Projection: 1:1	Assembly No.		
Shop Drawing No. PRE-CAST ALUM. WINDOW & LOUVRE	Date: 22-12-2016	Finish: UCT534193SC-3				

FABRICATION DRAWING



Remarks:	Checked:	NEW	Description:	生边企, X85679		QTY:	1	Delivery to Rev:	Factory	Site:	X85679-05	Rev:	V
	Date:	22-12-20	Material:	6061-19109	Tolerance:	±0.5							
Project Name:	Project No.:	1581	Drawn:	W.E.X	Finish:	UC15341635C-3							
Shop Drawing No.:	Rev.:	V	Date:	22-12-2014									
PRE-CAST ALUM. WINDOW & LOUVRE													

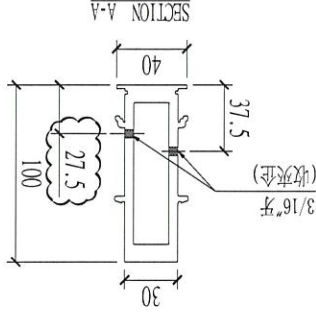
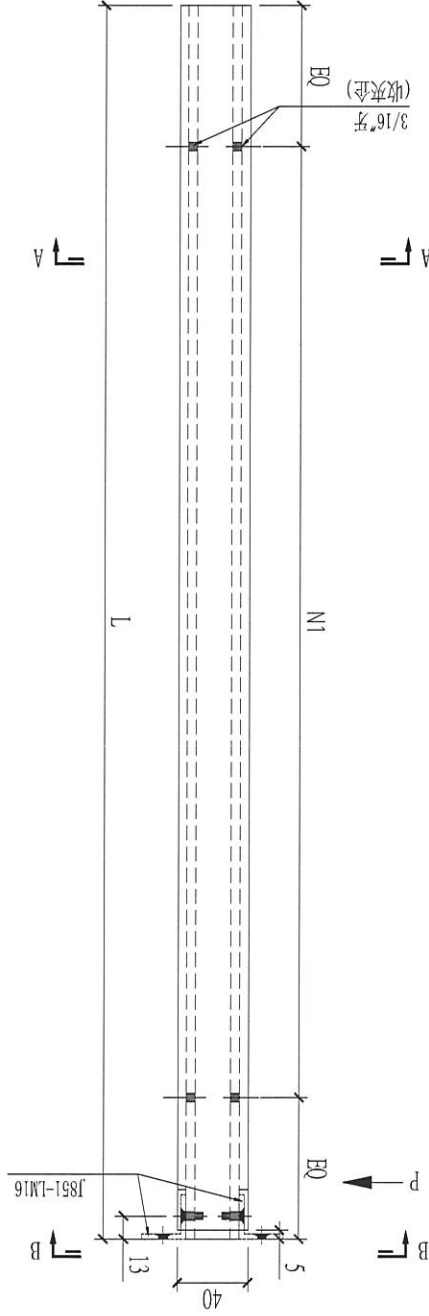
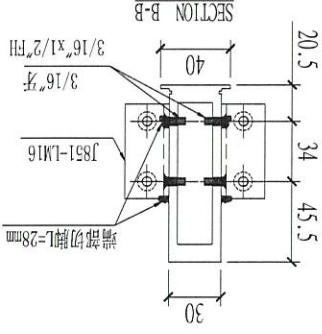
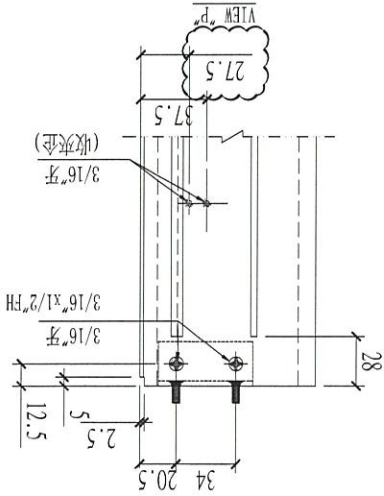
FABRICATION DRAWING



Remarks:		Checked: KEN		Description: 生边企, X8567906		Delivery to Rev:		Date		Amendments	
Project Name: 青衣190		Date: 22-12-2014		Material: 9L-1909		Tolerance: ±0.05		Factory		Site	
Shop Drawing No. PRE-CAST ALUM. WINDOW & LOUVRE		Drawn: W.E.X		Finish: UCT534193SC-3		Projection:		Assembly No. X85679-06		Rev. A	

FABRICATION DRAWING

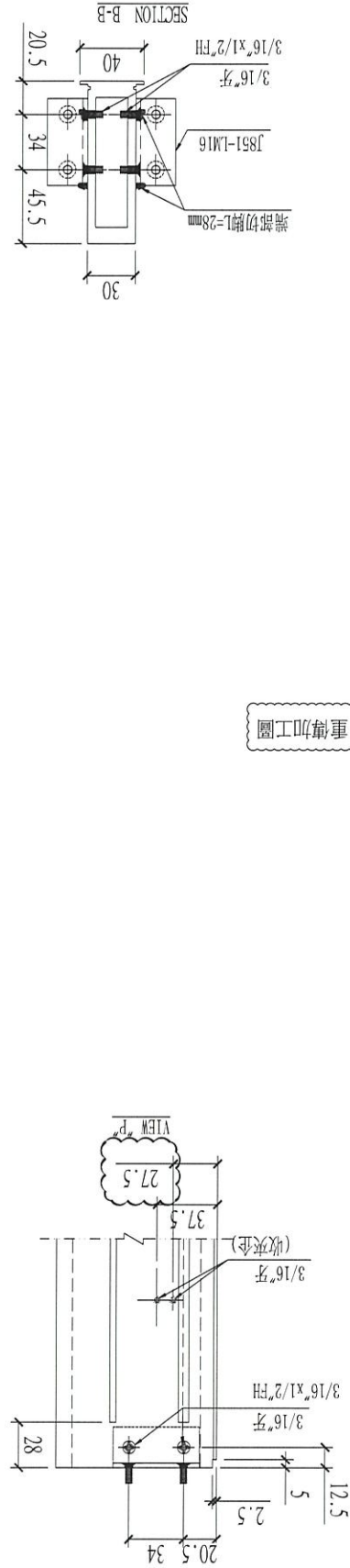
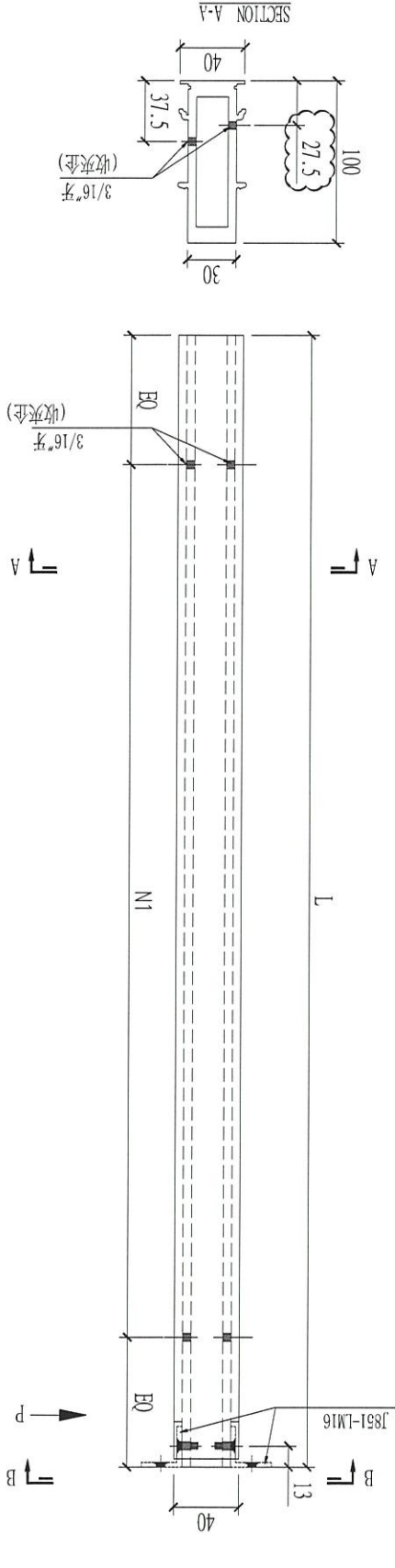
重傳加工圖



序号	部件编号	L	N1
1	X85684-01LA	1755	5X300c/c
2	X85684-01LB	1655	5X300c/c

Remarks:	Checked: KEN		Description: 夹框通, X856840		QTY:	Delivery to	Rev.	Amendments
	Date: 22-12-2014	Date: 22-12-2014	Material: 6061-T6	Material: 6061-T6	Tolerance: ±0.5	Factory	Date	
Project Name: 青衣190	Project No. 1851	Drawn: W.E.X	Finish: UCT534193SC-3	Site	Projection:	Assembly No.	X85684-01L	Rev. A
Shop Drawing No. PRE-CAST ALUM. WINDOW & LOUVRE	Rev. A	Date: 22-12-2014						

FABRICATION DRAWING



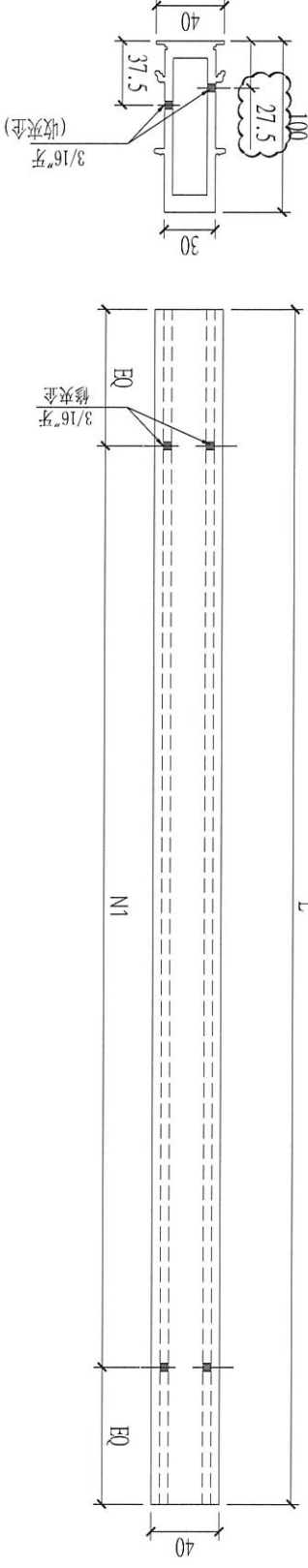
重傳加工圖

序号	1	X85684-01RA	1755	5x300/c
部件编号	L	N1		

Remarks:	Checked: KEN		Description: 夹框通, X856840		QTY: -		Delivery to Rev. Factory		Amendments	
	Date: 22-12-2014		Material: 6061-T6		Tolerance: ±0.5		Date		Date	
Project Name: 青衣190	Project No. J851		Material: 6061-T6		Tolerance: ±0.5		Date: 22-12-2014		Date	
Shop Drawing No. PRE-CAST ALUM. WINDOW & LOUVRE	Rev. A		Finish: UCT534193SC-3		Projection:		Site		Assembly No. X85684-01R	
MIDI Aluminium Fabricator Ltd.										

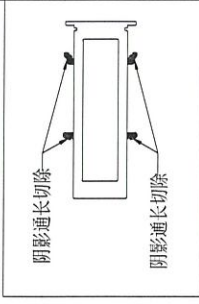
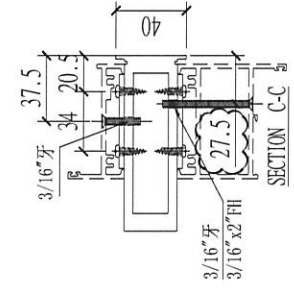
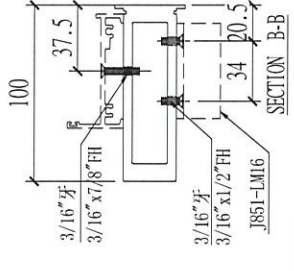
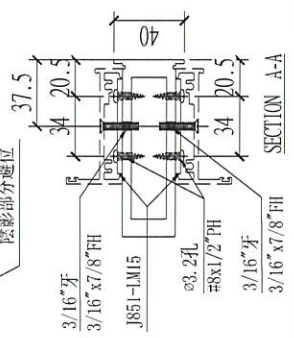
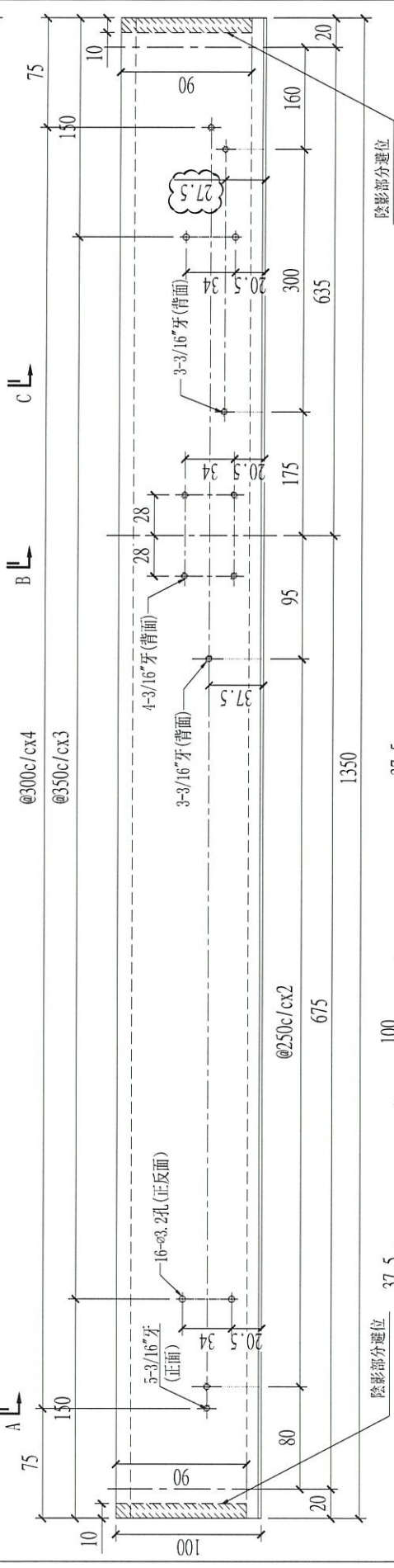
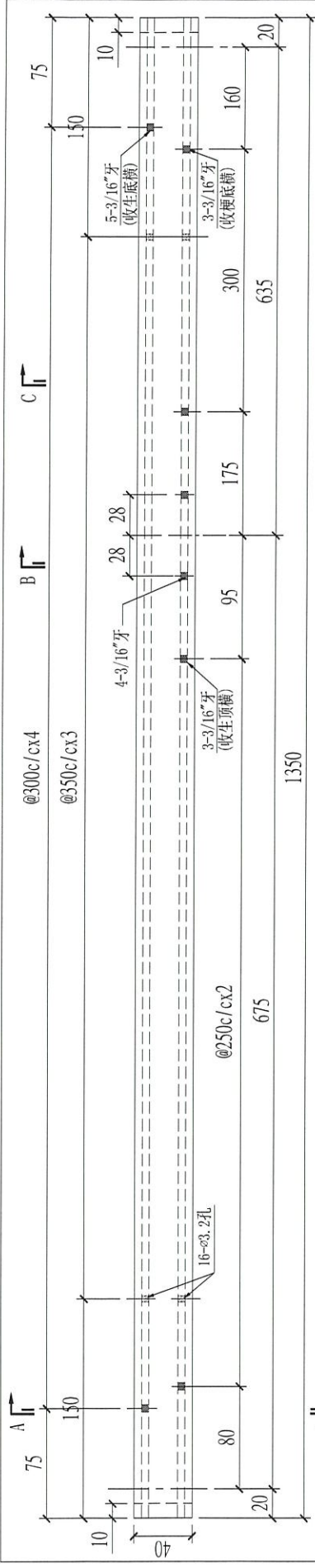
FABRICATION DRAWING

重傳加工圖



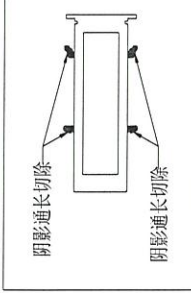
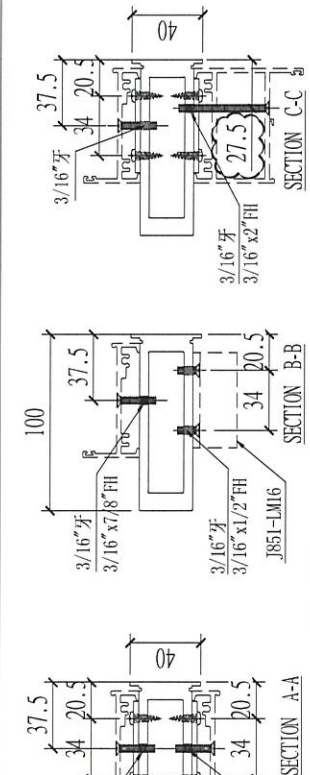
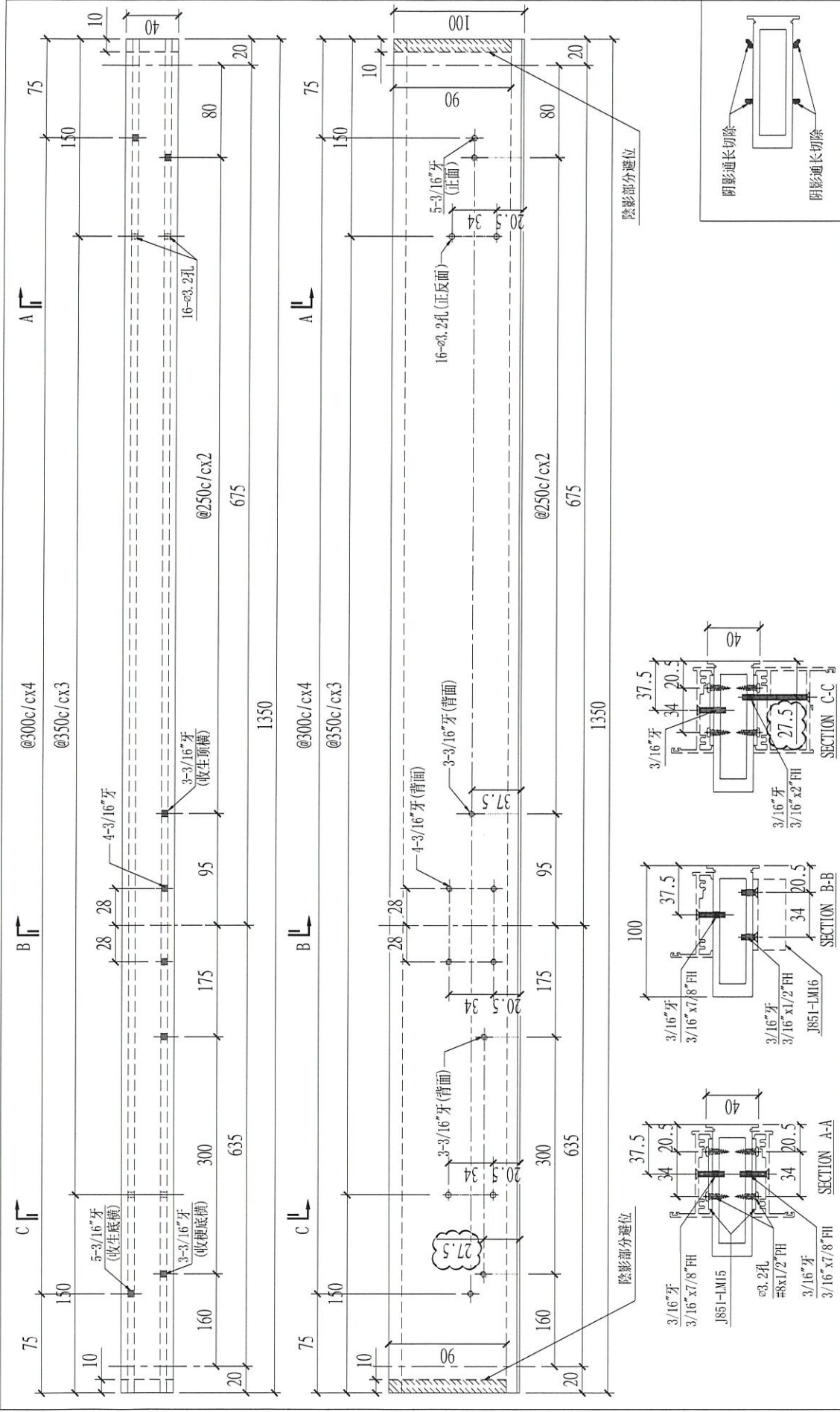
Remarks:		Checked: KEN		Description: 夾框通, X856840		QTY:		Delivery to Rev.		Date		Amendments	
Project Name: 青衣190		Date: 22-12-2014		Material: 6061-T6		Tolerance: ±0.5		Factory				1 X85684-02A 1885 6x290/c	
Shop Drawing No. PRE-CAST ALUM. WINDOW & LOUVRE		Drawn: W.E.X		Finish: UCT534193SC-3		Projection:		Site		Assembly No. X85684-02		2 X85684-02B 1810 6x275/c	
		Date: 22-12-2014										3 X85684-02C 1710 5x300/c	
												4 X85684-02D 2040 6x300/c	
												L N1	

FABRICATION DRAWING



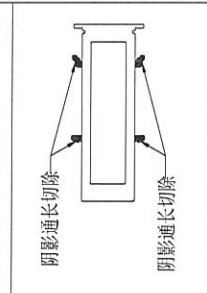
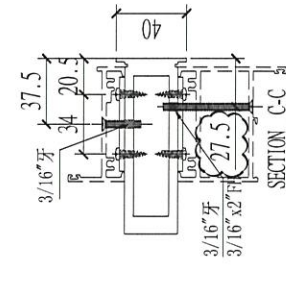
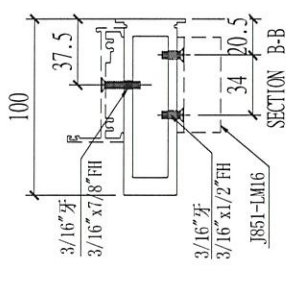
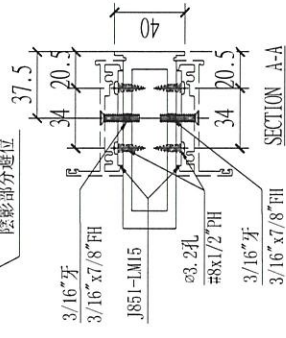
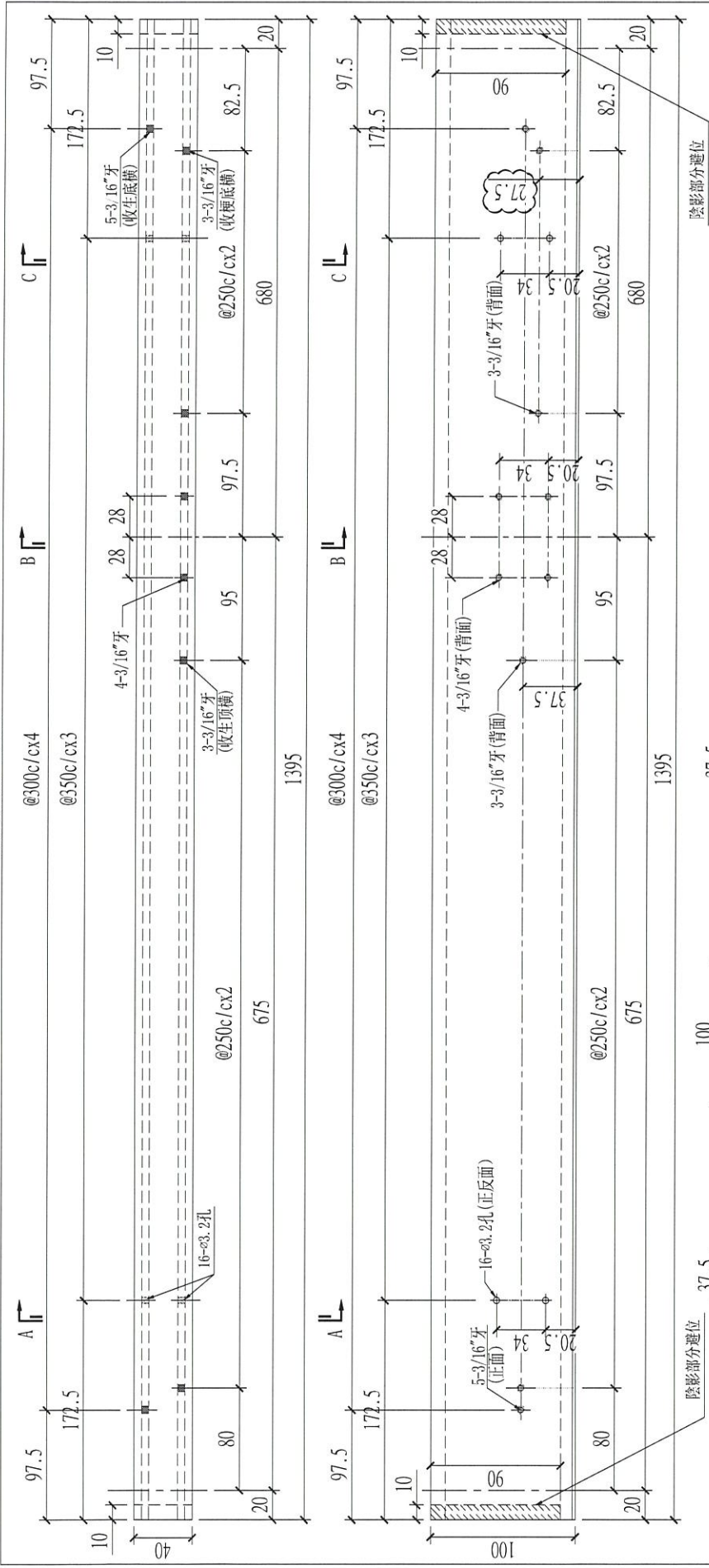
Remarks:		Checked: -		Description: 夹框通, X8566840		QTY: -		Delivery to Rev. (Factory)		Date		Amendments	
Project Name: 青衣190		Project No. J851		Material: 6061-T6		Tolerance: ±0.5		Site		Assembly No. X85684-03L		Rev. A	
Shop Drawing No. PRE-CAST ALUM. WINDOW & LOUVRE		Rev. -		Finish: UCT534193SC-3		Projection:		Site		Assembly No. X85684-03L		Rev. A	

FABRICATION DRAWING



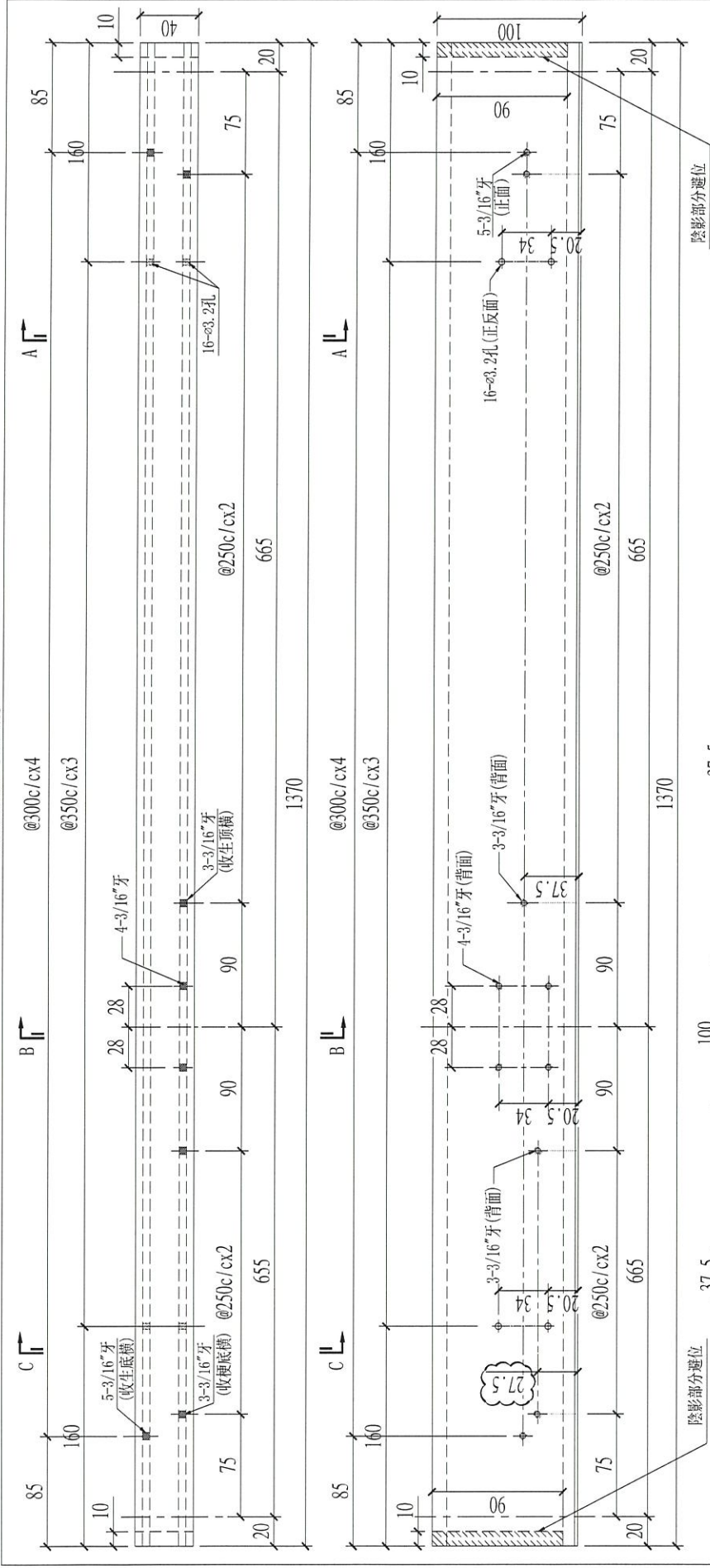
Remarks:		Checked:	Description:	QTY:	Delivery to:	Rev.	Date:	Amendments	
Project Name: 青衣190		Project No.:	J851	Tolerance: ±0.5	Factory				
Shop Drawing No. PRE-CAST ALUM. WINDOW & LOUVRE		Drawn:	W.E.X	Projection:	Site				
		Date:	15-02-2020	Assembly No.:	X85684-03R				
		Rev.:	-						

FABRICATION DRAWING

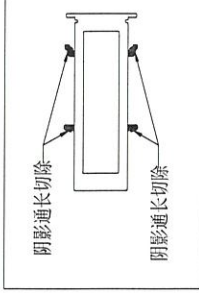
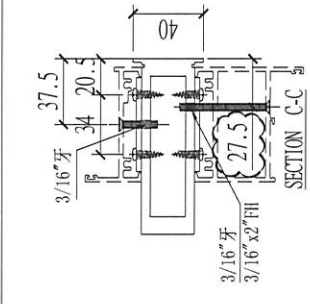
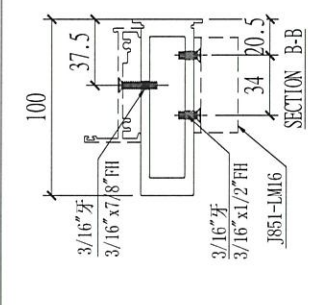
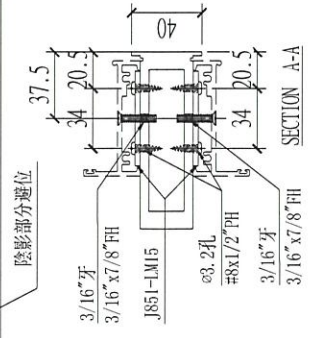


Remarks:		Checked: -		Description: 夹框通, X856840		QTY: -		Delivery to Rev. Date		Amendments	
Project Name: 青衣190		Project No. J851		Material: 6061-T6		Tolerance: ±0.5		Factory			
Shop Drawing No. PRE-CAST ALUM. WINDOW & LOUVRE		Rev. -		Finish: UCT534193SC-3		Projection:		Site		Rev.	
				Date: 15-02-2020				Assembly No. X85684-04		Rev. A	

FABRICATION DRAWING

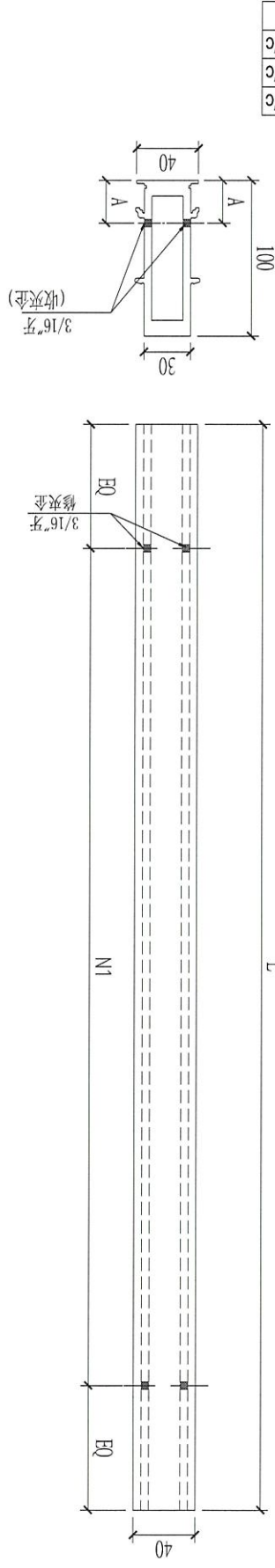


陰影部分避位



Remarks:		Checked: -		Description: 夾框通, X856840		QTY: -		Delivery to Rev. Date		Amendments	
Project Name: 青衣190		Project No. J851		Material: 6061-T6		Tolerance: ±0.5		Factory			
Shop Drawing No. PRE-CAST ALUM. WINDOW & LOUVRE		Rev. -		Finish: UCT534193SC-3		Projection:		Site		Assembly No. X85684-05	
				Date: 15-02-2020				Rev.		A	

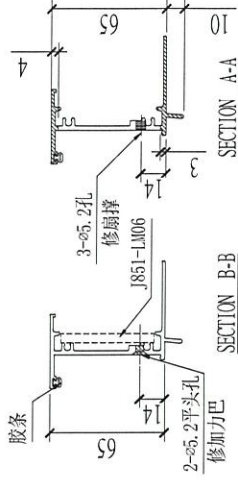
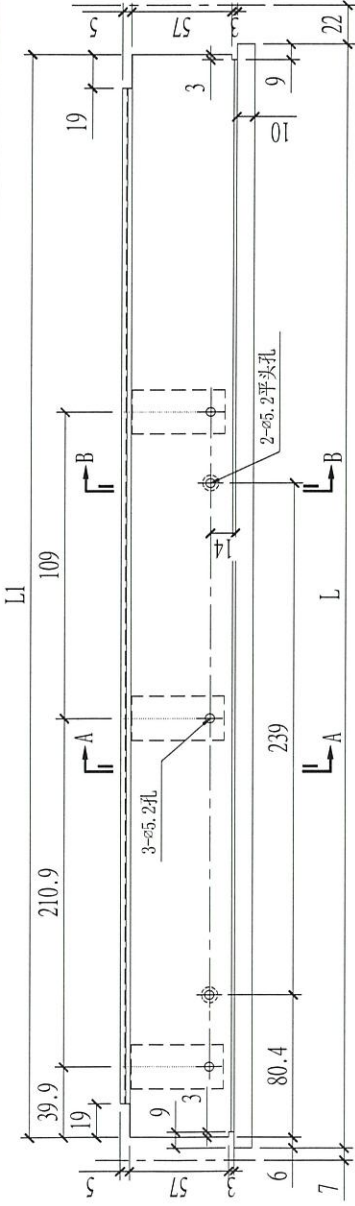
FABRICATION DRAWING



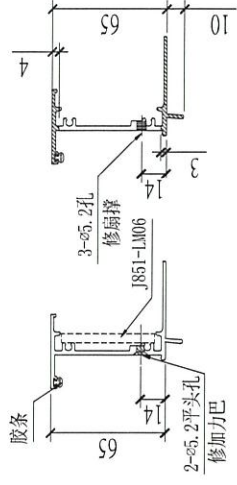
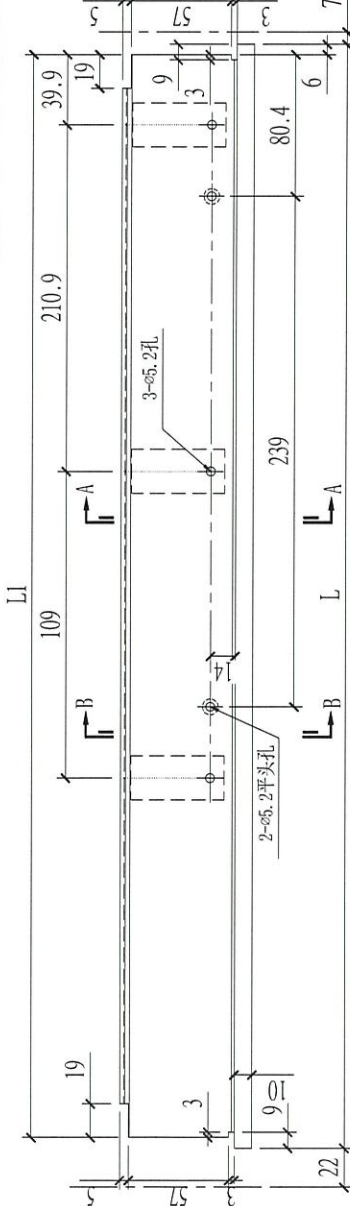
序号	零件编号	L	A	N1
1	X85684-06A	1940	37.5	6X300/c/c
2	X85684-06B	2290	37.5	7X300/c/c
3	X85684-06C	2290	27.5	7X300/c/c

Remarks:		Checked: KEN		Description: 夹框通, X856840		QTY: -		Delivery to Rev.		Date		Amendments	
Project Name: 青衣190		Date: 22-12-2014		Material: 6061-T6		Tolerance: ±0.5		Factory					
Ship Drawing No. PRE-CAST ALUM. WINDOW & LOUVRE		Drawn: W.E.X		Finish: 1CT534193SC-3		Projection:		Site		Assembly No. X85684-06		Rev. A	

FABRICATION DRAWING



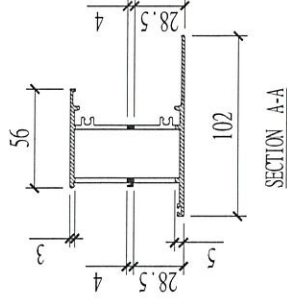
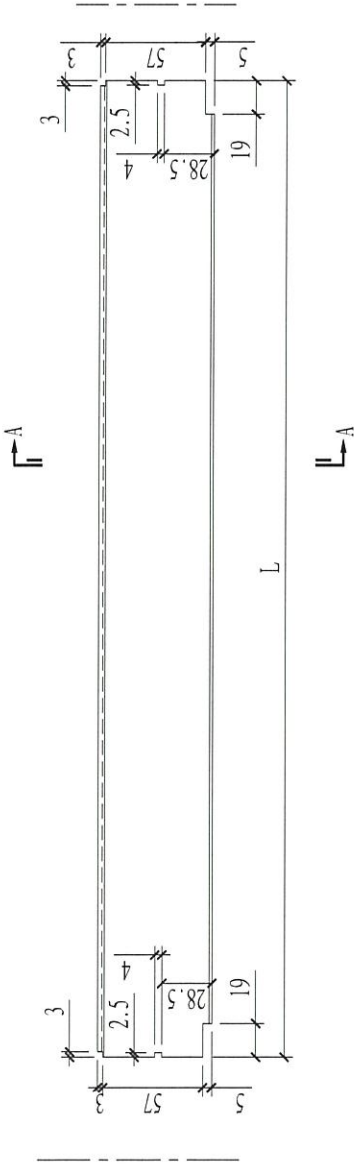
5	X85685-02LE	-	-
4	X85685-02LD	466	454
3	X85685-02LC	516	504
2	X85685-02LB	551	539
1	X85685-02LA	-	-
序号	部件编号	L	L1



4	X85685-02RE	516	504
4	X85685-02RD	-	-
3	X85685-02RC	466	454
2	X85685-02RB	551	539
1	X85685-02RA	542	530
序号	部件编号	L	L1

Remarks:		QTY: -		Delivery to	Rev.	Date	Amendments	
Project Name: 青衣190		Description: 65窗生頂橫, X85685		Factory				
Project No. J851		Material: 6061-T6		Tolerance: ±0.5				
Shop Drawing No. PRE-CAST ALUM. WINDOW & LOUVRE		Finish: W.E.X		Projection:				
Rev. -		Date: 15-02-2020		Site			Assembly No. Rev.	
		UCT534193SC-3		X85685-02				

FABRICATION DRAWING

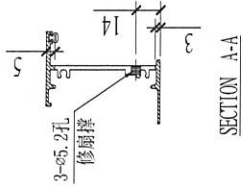
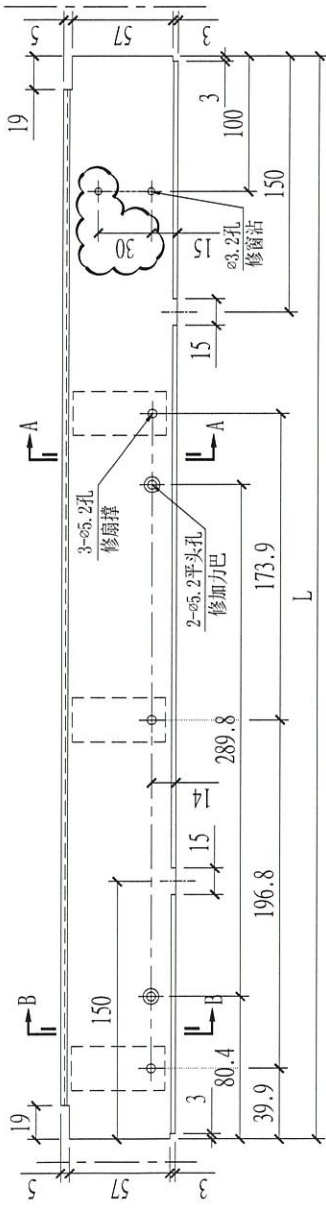


12	X856886-01M	470
11	X856886-01L	1877
10	X856886-01K	1056
9	X856886-01J	1008
8	X856886-01H	319
7	X856886-01G	444
6	X856886-01F	1304
5	X856886-01E	569
4	X856886-01D	344
3	X856886-01C	564
2	X856886-01B	579
1	X856886-01A	534
序号	部件编号	L

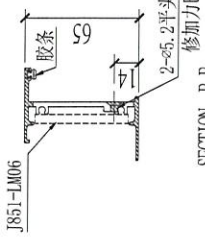
Remarks:	Checked: -		Description: 梗顶横, X856862		QTY: -		Delivery to Rev. Date		Amendments	
	Date: -		Material: 6061-T6		Tolerance: ±0.5		Factory			
Project Name: 青衣190	Project No. J851		Finish: UCT534193SC-3		Projection:		Site		Assembly No. X85686-01	
Shop Drawing No. PRE-CAST ALUM. WINDOW & LOUVRE	Rev. -		Date: 15-02-2020		Date: W.E.X		Rev.		Rev.	

MIDI Aluminium Fabricator Ltd.

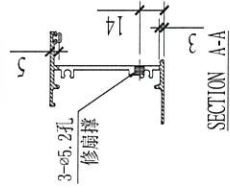
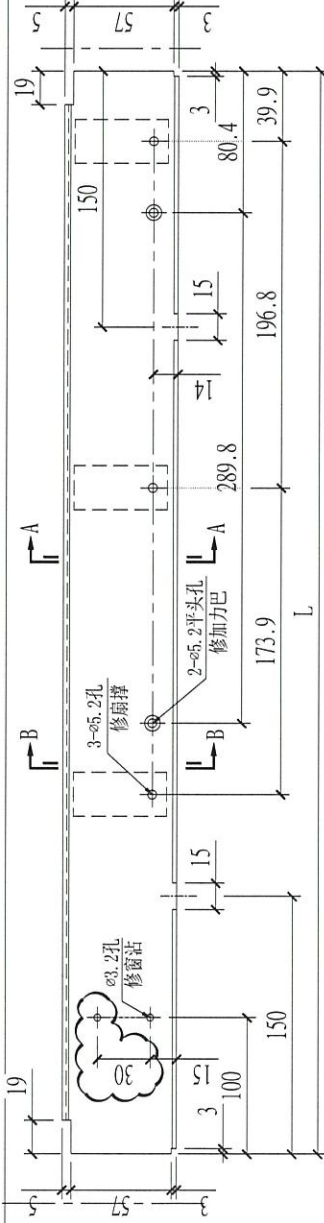
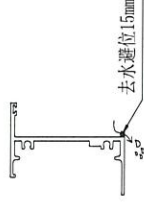
FABRICATION DRAWING



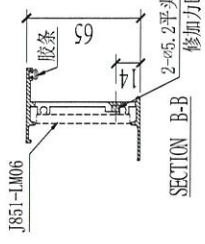
SECTION A-A



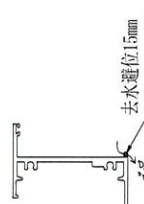
SECTION B-B



SECTION A-A



SECTION B-B

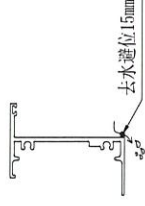
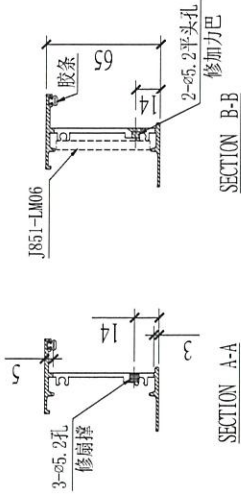
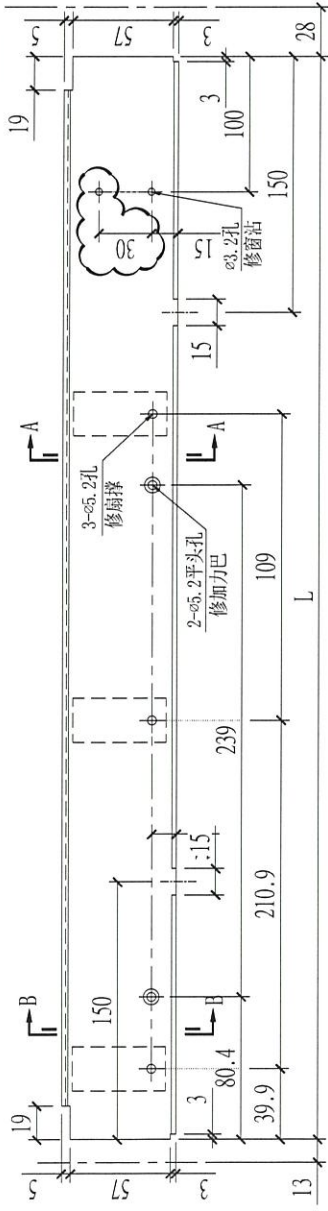


8	X85687-03LH	704
7	X85687-03LG	629
6	X85687-03LF	654
5	X85687-03LE	604
4	X85687-03LD	-
3	X85687-03LC	-
2	X85687-03LB	634
1	X85687-03LA	-
序号	部件编号	L

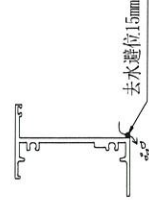
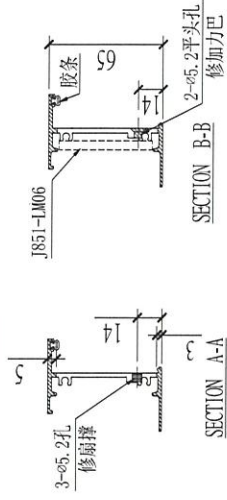
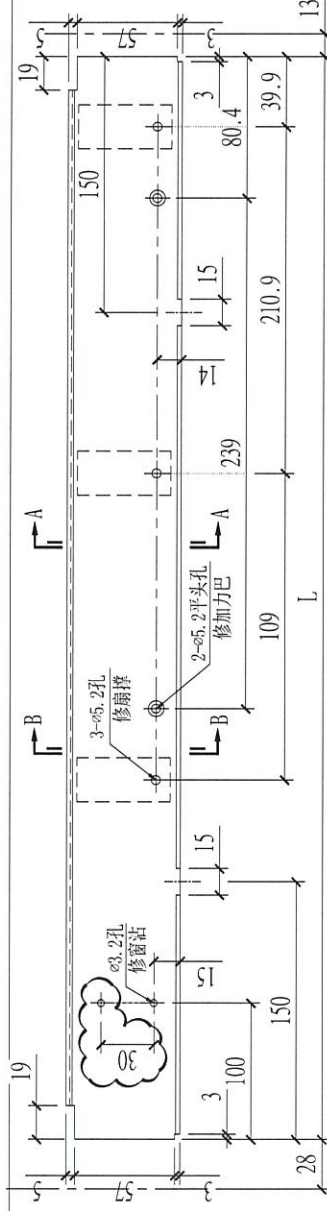
8	X85687-03RH	629
7	X85687-03RG	654
6	X85687-03RF	624
5	X85687-03RE	-
4	X85687-03RD	-
3	X85687-03RC	-
2	X85687-03RB	634
1	X85687-03RA	-
序号	部件编号	L

Remarks:		Checked: -		Description: 生底横, X856870		QTY: -		Delivery to: Rev. Date		Announcements	
Project Name: 青衣190		Date: -		Material: 6061-T6		Tolerance: ±0.5		Factory			
Project No. J851		Drawn: W.E.X		Finish: UCT534193SC-3		Projection:		Site			
Shop Drawing No. PRE-CAST ALUM. WINDOW & LOUVRE		Date: 15-02-2020						Assembly No.		Rev.	
		Rev. -						X85687-03		A	

FABRICATION DRAWING



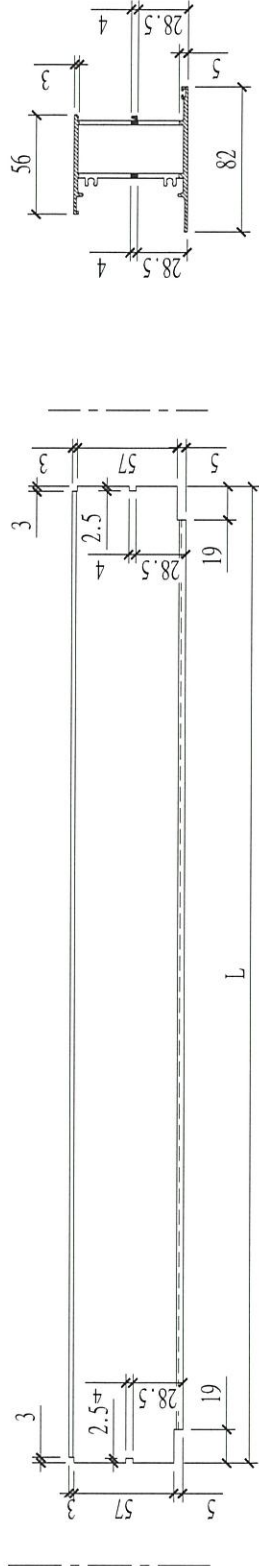
4	X85687-04LE	-
3	X85687-04LD	454
2	X85687-04LC	504
1	X85687-04LA	-
序号	部件编号	L



4	X85687-04RE	504
3	X85687-04RD	454
2	X85687-04RC	-
1	X85687-04RA	530
序号	部件编号	L2

Remarks:		QTY: -		Delivery to:	Rev.:	Date:	Amendments	
Project Name: 青衣190		Description: 生底横, X856870		Factory				
Shop Drawing No. PRE-CAST ALUM. WINDOW & LOUVRE		Material: 6061-T6		Tolerance: ±0.5				
Rev. -		Finish: UCT534193SC-3		Projection:		Assembly No. X85687-04		
		Checked: -		Site		Rev. A		
		Date: -		Project No. J851				
		Drawn: W.E.X		Date: 15-02-2020				

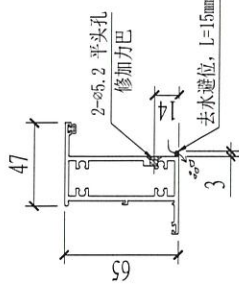
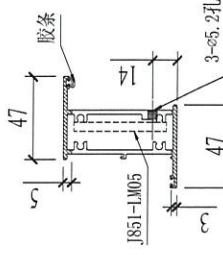
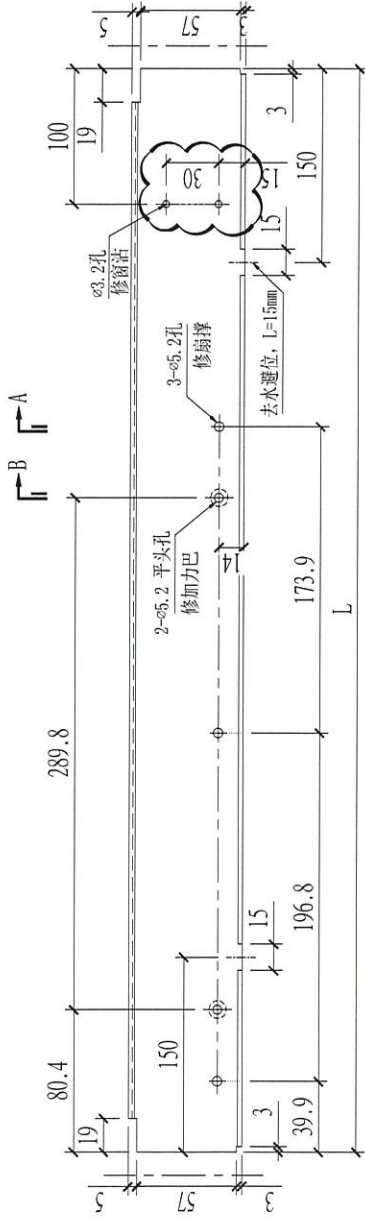
FABRICATION DRAWING



12	X85688-01M	470
11	X85688-01L	1877
10	X85688-01K	1056
9	X85688-01J	1008
8	X85688-01H	319
7	X85688-01G	444
6	X85688-01F	1304
5	X85688-01E	569
4	X85688-01D	344
3	X85688-01C	564
2	X85688-01B	579
1	X85688-01A	534
序号	部件编号	L

Remarks:	Checked:	-	QTY:	-	Delivery to	Rev.	Date	Amendments	
	Date:	-	Tolerance:	±0.5	Factory				
Project Name:	青衣190	Material:	6061-T6	Projection:	Site	Assembly No.	Rev.		
Shop Drawing No.	PRE-CAST ALUM. WINDOW & LOUVRE	Finish:	UCT534193SC-3					X85688-01	
Project No.	J851	Drawn:	W.E.X						
Rev.	-	Date:	15-02-2020						

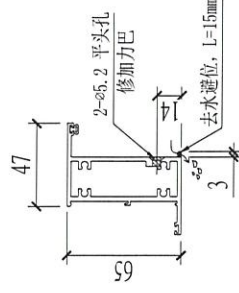
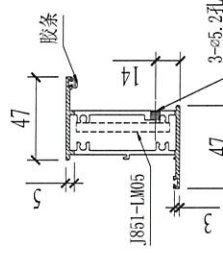
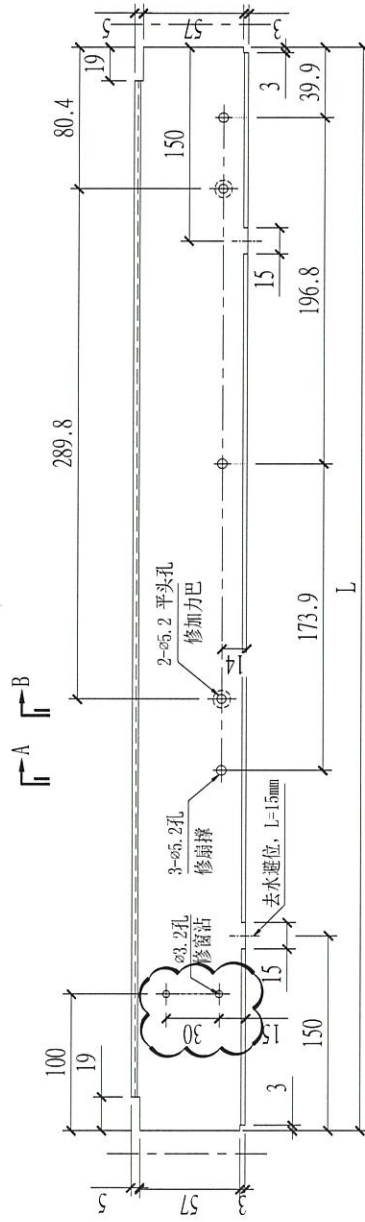
FABRICATION DRAWING



SECTION A-A

SECTION B-B

3	X85689-01LC	561
2	X85689-01LB	576
1	X85689-01LA	571
序号	部件编号	L



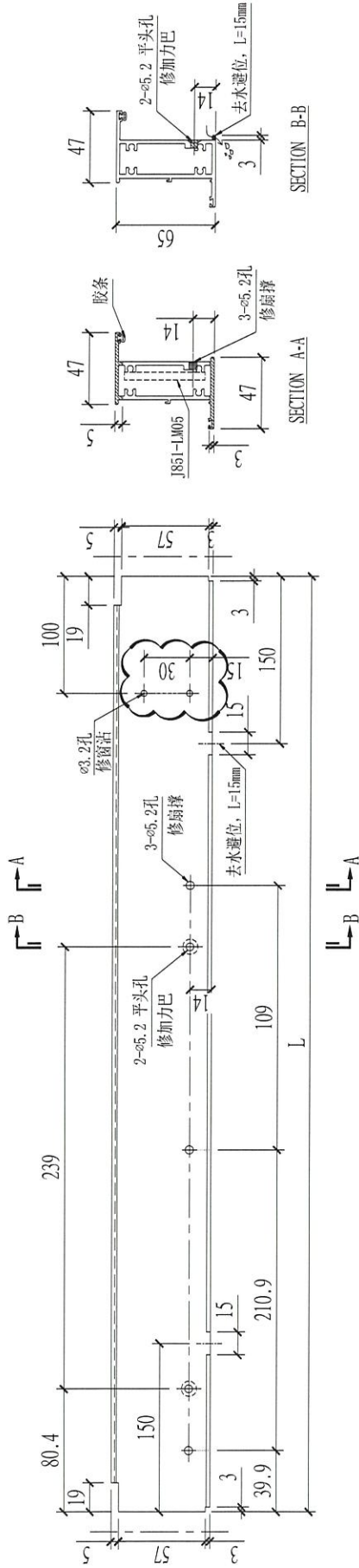
SECTION A-A

SECTION B-B

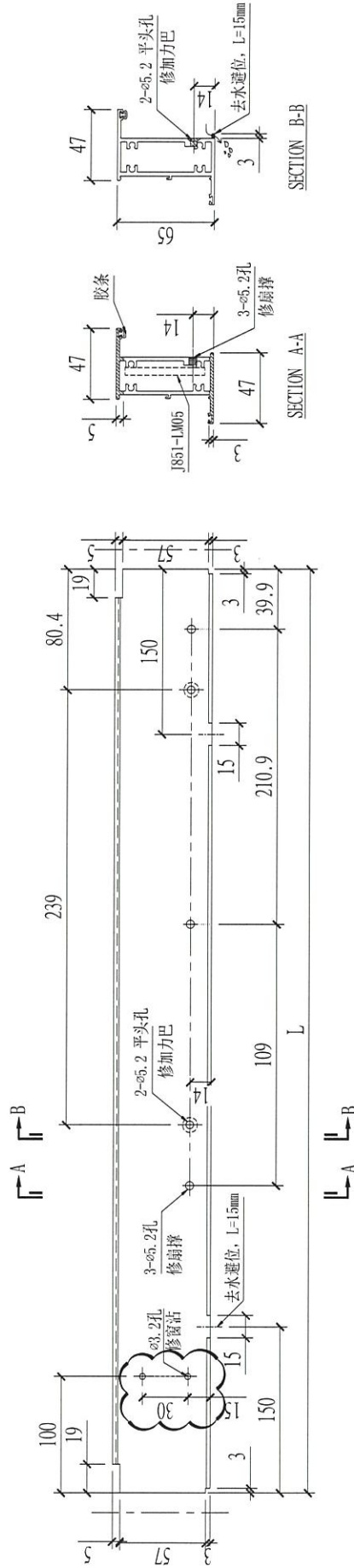
3	X85689-01RC	576
2	X85689-01RB	561
1	X85689-01RA	571
序号	部件编号	L

Remarks:		Description: 上生下梗中横, X856891		QTY:		Delivery to: (Factory)		Rev.:		Date:	
Project Name: 青衣190		Material: 6061-T6		Tolerance: ±0.5		Site:		Assembly No.:		Rev.:	
Shop Drawing No. PRE-CAST ALUM. WINDOW & LOUVRE		Finish: UCT534193SC-3		Projection: (Symbol)		Assembly No.:		X85689-01		Rev.:	
Project No. J851		Date: 15-02-2020		Drawn: W.E.X		Site:		X85689-01		Rev.:	
Rev.:		Date: 15-02-2020		Checked: -		Site:		X85689-01		Rev.:	
Rev.:		Date: 15-02-2020		Date: 15-02-2020		Site:		X85689-01		Rev.:	

FABRICATION DRAWING



1	X85689-02LA	539
序号	部件编号	L



1	X85689-02RA	539
序号	部件编号	L

Remarks:	Checked: -		Description: 上生下梗中横, X856891		QTY: -		Delivery to Rev. (Factory)		Date	
	Date: -	Date: -	Material: 6061-T6		Tolerance: ±0.5		Site		Assembly No.	
Project Name: 青衣190	Project No. J851	Drawn: W.E.X	Finish: UCT534193SC-3		Projection:		Site		Rev. A	
Shop Drawing No. PRE-CAST ALUM. WINDOW & LOUVRE	Rev. -	Date: 15-02-2020	UCT534193SC-3		X85689-02		MIDI Aluminium Fabricator Ltd.			