

工程指示 / 要求簡箋(E.I.)

工程指示編號：EI/1702/20

修改版次：-

工程編號：J851

工程名稱：青衣明翹匯住宅

工程項目：要求做窗角樣板

收件人：生統

發件人：Leung Hin Wai

日期：18/04/2020

要求提供 / 確認 事項：

- () 初步鋁料 B.M.
- () 正式鋁料 B.M.
- () 配件 B.M.
- () 其他：_____
- () 加工拆圖，然後生產
- () 技術上資料 / 指示
- () 樣辦或貨品說明書
- () 尺寸表
- () 報價
- () 分判合約

內容：

請按附頁做窗角樣板 給則師看手工和工藝之用。

851-WC01 數量:1 件、 J851-WC02 數量:1 件、 J851-WC03 數量:1 件

窗玉不用裝扇撐，窗玉和窗框由螺絲固定，碰口位要打膠，包括夾企位和邊企。

留意手工打膠要飽滿，打膠顏色 Dark Grey，GL02(300x300)玻璃由香港提供。

請送回香港寫字樓。(細佬收)

Handwritten signature: LHW
 請在23/4或之前
 到香港

請在 22/4 前完成上列要求。

附： -

以上項目為：

- 原合約工程包
- 原合約工程加 / 減賬
- 新工程報價

原因：-

分發東莞各部門：

- () 生產技術總監 連附件 () 技術部 連附件 () 生產部 連附件 () 機械設計部 連附件
- () 採購部 連附件 () 生產統籌部 連附件
- () 質檢部 連附件 () 會計部 連附件 () 報關組 連附件 () 其他 _____ 連附件

分發香港各部門：

- () 行政部 連附件 () 會計部 連附件 () 統籌部 連附件 () 工程部地盤科文(柄) 連附件
- () 採購部 連附件 () QS 部 連附件 () 維修部 連附件 () 其他 _____ 連附件

傳遞編號：

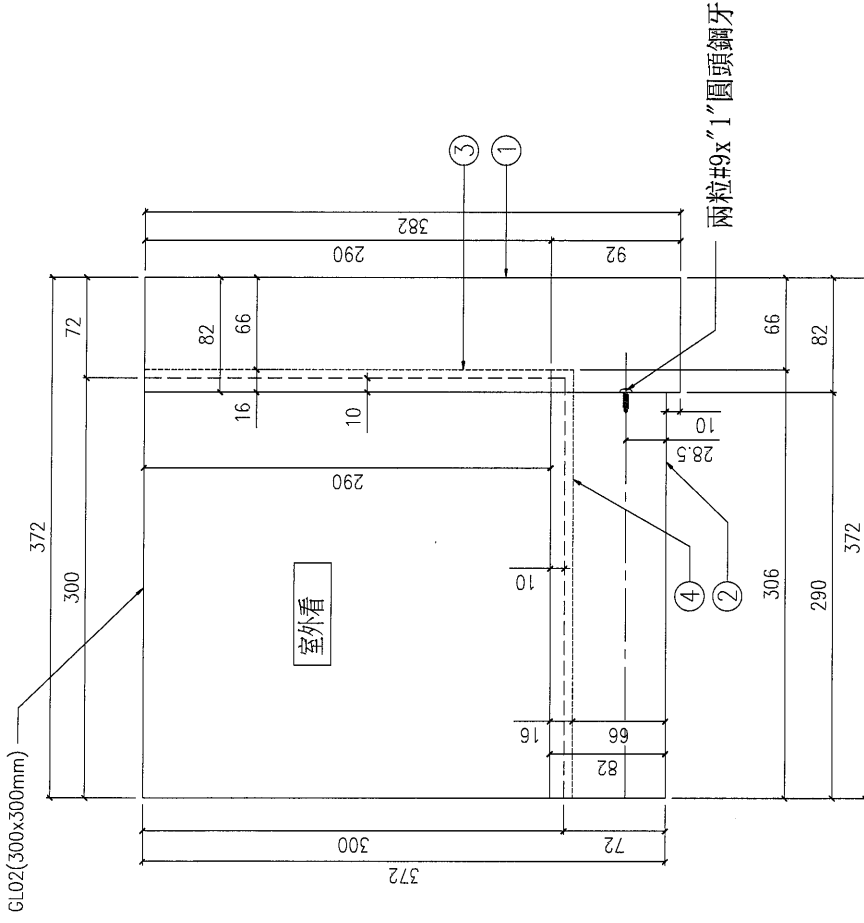
HR 0619

發件人簽署：

項目經理簽署：

Handwritten signature: LHW
Handwritten signature: [unclear]

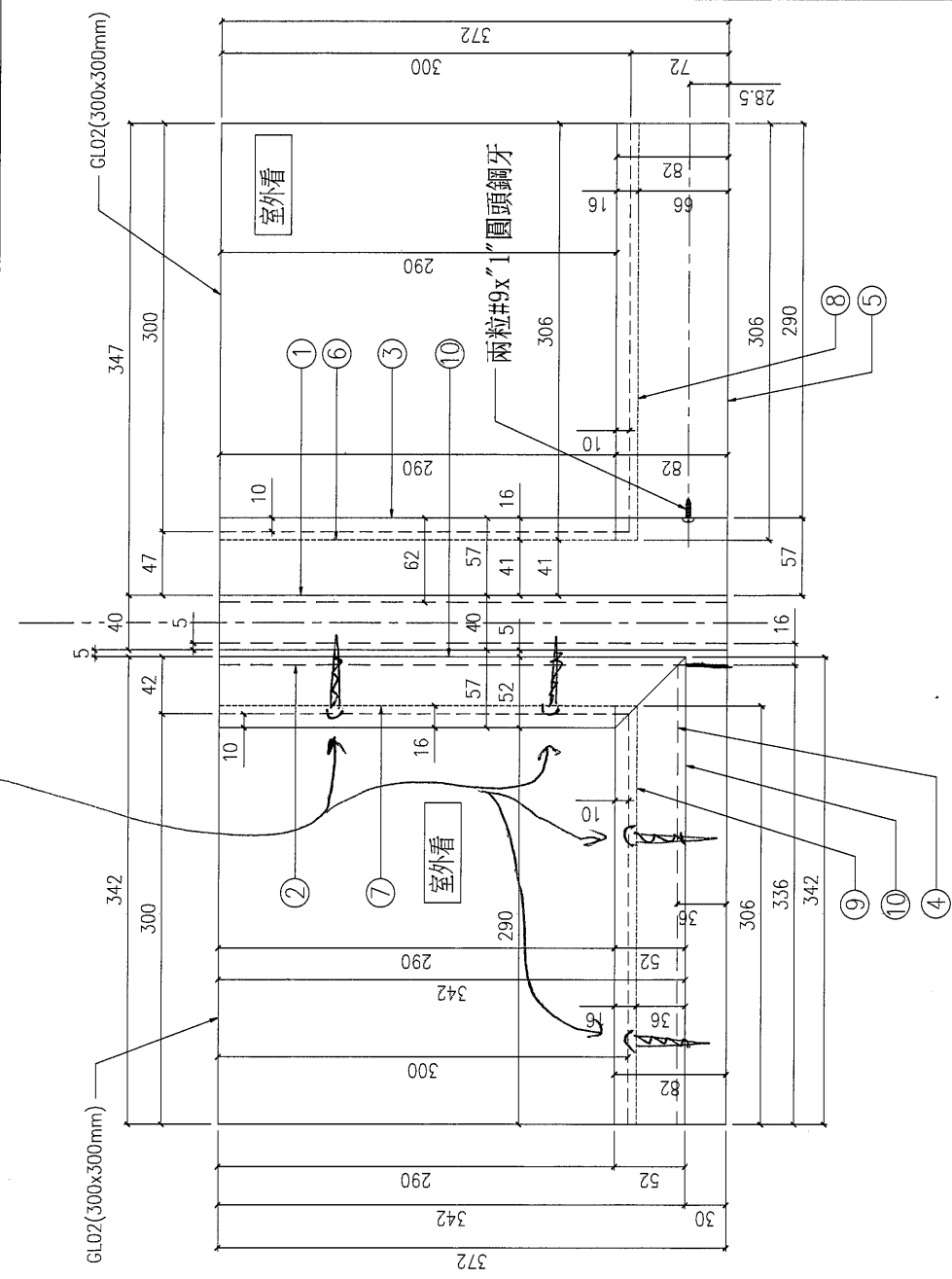
FABRICATION DRAWING



Remarks:		Checked: -		Description: 窗角組裝圖		QTY: -	
Project Name: 青衣190		Date: -		Material: -		Tolerance: ±0.5	
Project No. J851		Drawn: W.E.X		Finish: -		Projection:	
Shop Drawing No. PRE-CAST ALUM. WINDOW & LOUVRE		Date: 15-02-2020		Rev: -		Assembly No. J851-WC01	
				Site		Rev. -	
				Factory		Amendments	
				Delivery to			
1	X85677-01RA	梗邊企	382	1			
2	X85688-01A	梗底橫	309	1			
3	X856780	方玻璃綫企	290	1			
4	X856780	方玻璃綫橫	306	1			

窗玉和窗框用螺絲固定

FABRICATION DRAWING



1	X85684-01LA	夾框通	372	1
2	X85683-01RA	生夾企	372	1
3	X85682-01LA	梗夾企	372	1
4	X85687-03LB	生底橫	339	1
5	X85688-02A	梗底橫	309	1
6	X856780	方玻璃線企	290	1
7	X856780	方玻璃線企	290	1
8	X856780	方玻璃線橫	306	1
9	X856780	方玻璃線橫	306	1
10	J851-SH001R	窗玉小組裝	342x342	1

Remarks:

Project Name: 青衣190

Shop Drawing No. PRE-CAST ALUM. WINDOW & LOUVRE

Project No. J851

Rev. -

Checked: -

Date: -

Drawn: W.E.X

Date: 15-02-2020

Description: 窗角組裝圖

Material: -

Finish: -

QT: -

Delivery to Rev. -

Date -

Amendments

Factory

Tolerance: ±0.5

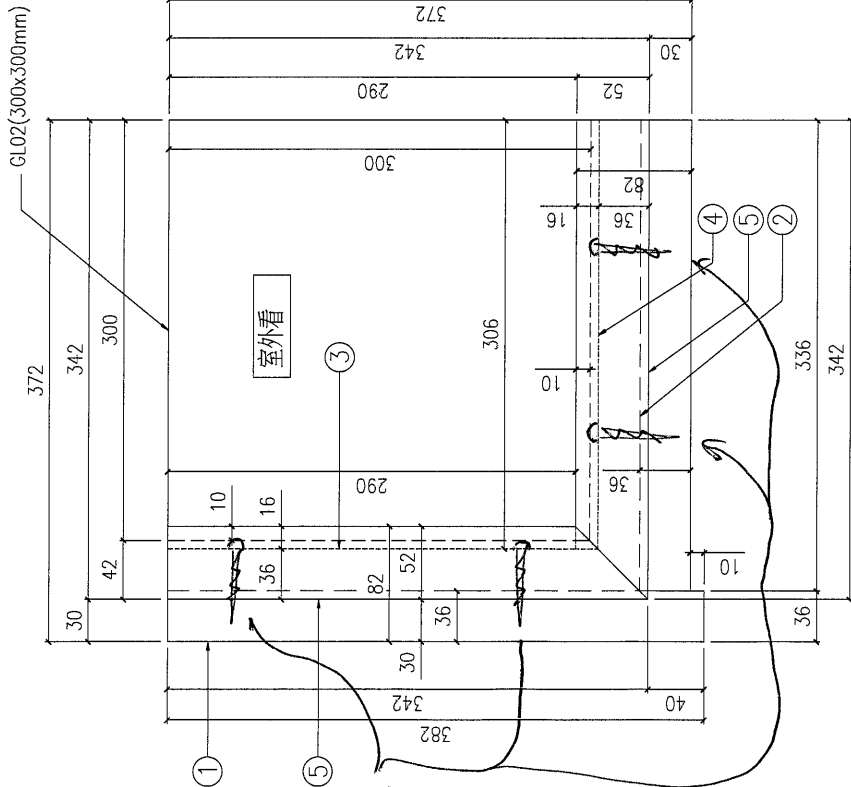
Projection:

Site

Assembly No. J851-WC02

Rev. -

FABRICATION DRAWING



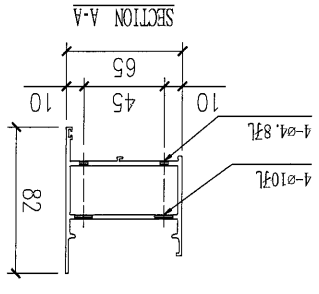
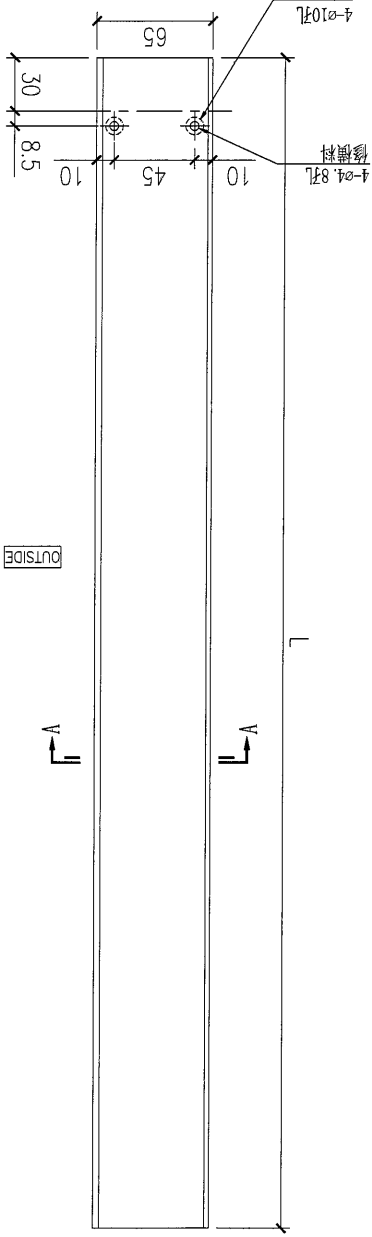
窗玉角窗框
用螺丝固定

1	X85679-01LA	生边企	382	1
2	X85687-03RB	生底横	339	1
3	X856780	方玻璃线企	290	1
4	X856780	方玻璃线横	306	1
5	J851-SH001L	窗玉小组装	342x342	1

Remarks:	Description: 窗角组装图		Checked: -	Material: -	Delivery to Rev.:	Date:	Amendments:
Project Name: 青衣190	Project No. J851	Date: -	Material: -	Factory:	Rev.:		
Shop Drawing No. PRE-CAST ALUM. WINDOW & LOUVRE	Drawn: W.E.X	Tolerance: ±0.5	Finish: -	Site:	Assembly No. J851-WC03		
	Date: 15-02-2020	Projection:					

FABRICATION DRAWING

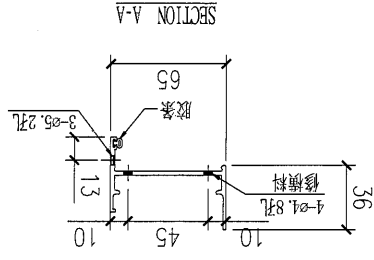
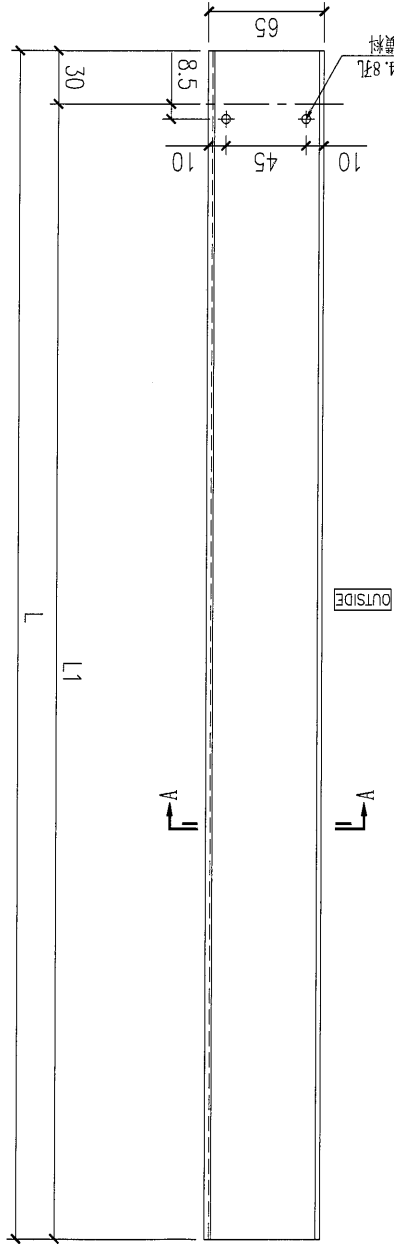
OUTSIDE



1	X85677-01RA	382
序号	部件编号	L

Remarks:	Checked: KEN	Description:	Quantity:	Delivery to:	Rev.	Amendments
Project Name: 青衣190	Date: 22-12-2014	Material: 6061-T6	Tolerance: ±0.5	Factory		
Project No: J851	Drawn: W.E.X	Finish: UCT534193SC-3	Projection:	Site	Assembly No. X85677-01	Rev. -
Shop Drawing No. PRE-CAST ALUM. WINDOW & LOUVRE	Date: 22-12-2014					

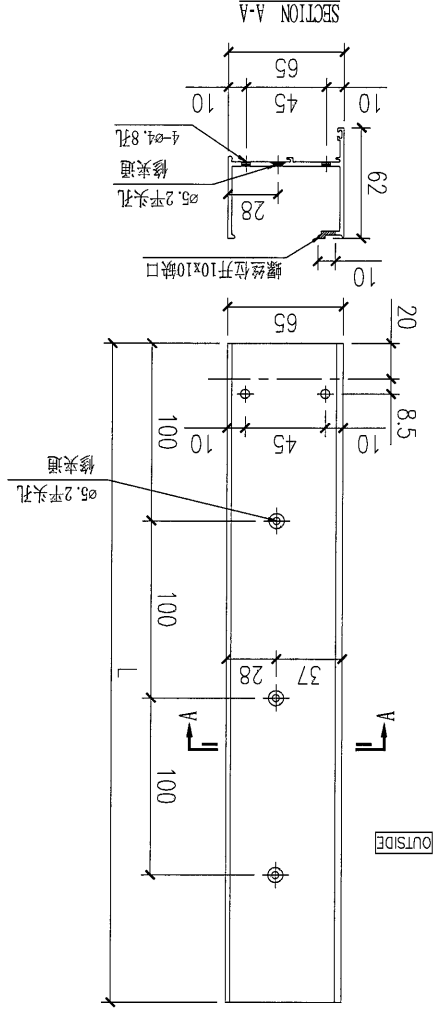
FABRICATION DRAWING



序号	1	X85679-01LA	382	352
部件编号	L	L1		

Remarks:	Checked: KEN		Description: 生边企, X856790		QTY: -	Delivery to: Factory	Date: -	Amendments:
Project Name: 青衣190	Project No: J851	Date: 22-12-2014	Material: 6061-T6	Tolerance: ±0.5				
Shop Drawing No. PRE-CAST ALUM. WINDOW & LOUVRE	Rev: A	Drawn: W.E.X	Finish: UCT534193SC-3	Projection:				
		Date: 22-12-2014				Site: X85679-01	Assembly No.:	Rev.:

FABRICATION DRAWING

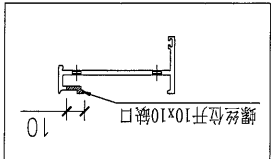
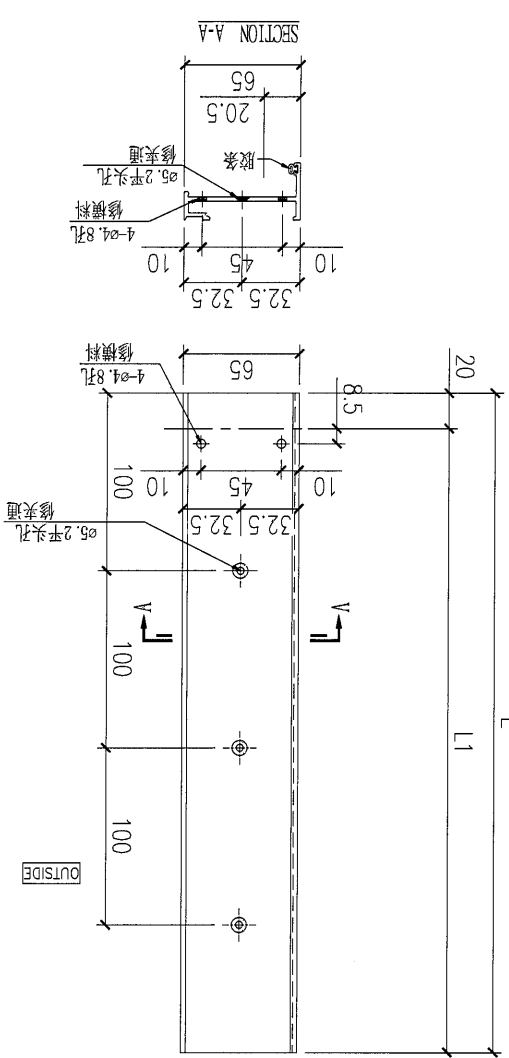


1	X85682-01LA	372
序号	部件编号	

Remarks:		Checked: KEN		Description: 梗夹企, X856822		Delivery to Rev.		Date		Amendments	
Project Name: 青衣190		Date: 22-12-2014		Material: 6061-T6		Factory					
Shop Drawing No. PRE-CAST ALUM. WINDOW & LOUVRE		Drawn: W.E.X		Finish: UCT534193SC-3		Tolerance: ±0.5				Assembly No. X85682-01	
Rev. A		Date: 22-12-2014				Projection:				Rev. -	

MIDI Aluminium Fabricator Ltd.

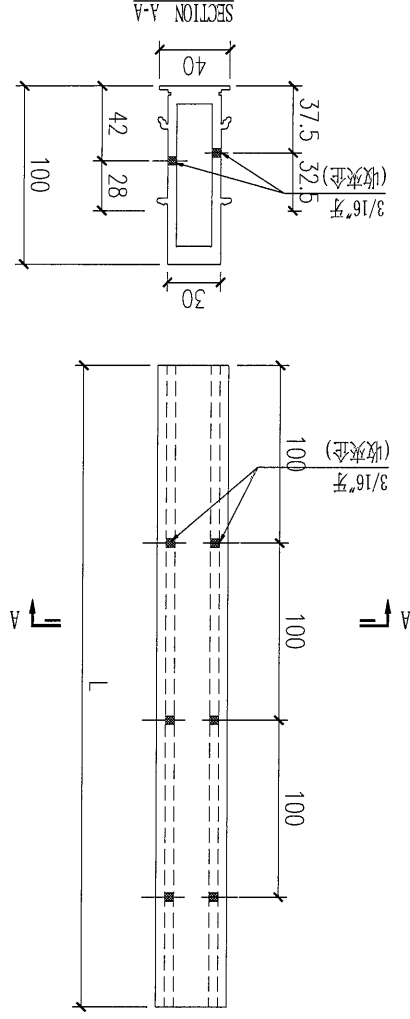
FABRICATION DRAWING



1	X85683-01RA	372	352
序号	部件编号	L	L1

Remarks:	Checked: KEN	Description: 生夹企, X856830	QTY: -	Delivery to: Factory	Amendments:
Project Name: 青衣190	Date: 22-12-2014	Material: 6061-T6	Tolerance: ±0.5	Date:	
Shop Drawing No. PRE-CAST ALUM. WINDOW & LOUVRE	Drawn: W.E.X	Finish: UCT5314193SC-3	Projection:	Rev.:	
	Date: 22-12-2014		Site: X85683-01	Assembly No.:	

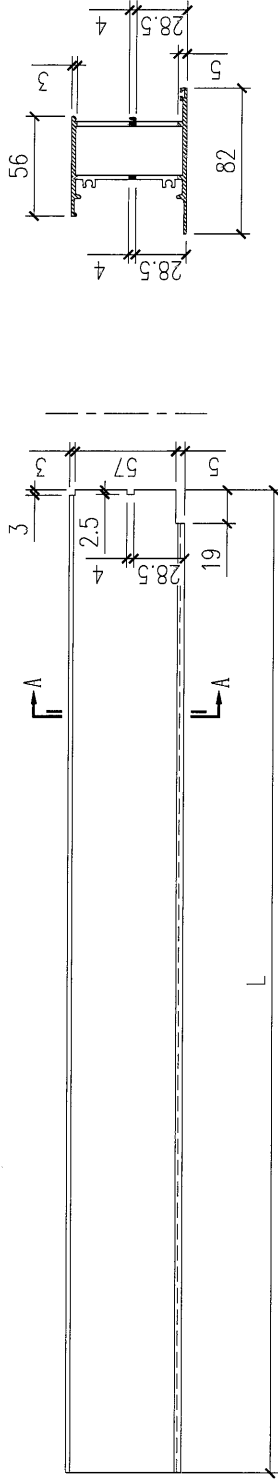
FABRICATION DRAWING



序号	X85684-01LA	部件编号	L
1	1x300/c		N1

Remarks:	Checked: KEN		Description: 夹框通, X856840		QTY: -	Delivery to Rev.	Date	Amendments
Project Name: 青衣190	Project No. J851	Date: 22-12-2014	Material: 6061-T6	Finish: UCT534193SC-3	Tolerance: ±0.5	Factory		
Shop Drawing No. PRE-CAST ALUM. WINDOW & LOUVRE	Rev. A	Drawn: W.E.X			Projection:	Site	Assembly No. X85684-01	Rev. -
		Date: 22-12-2014						

FABRICATION DRAWING

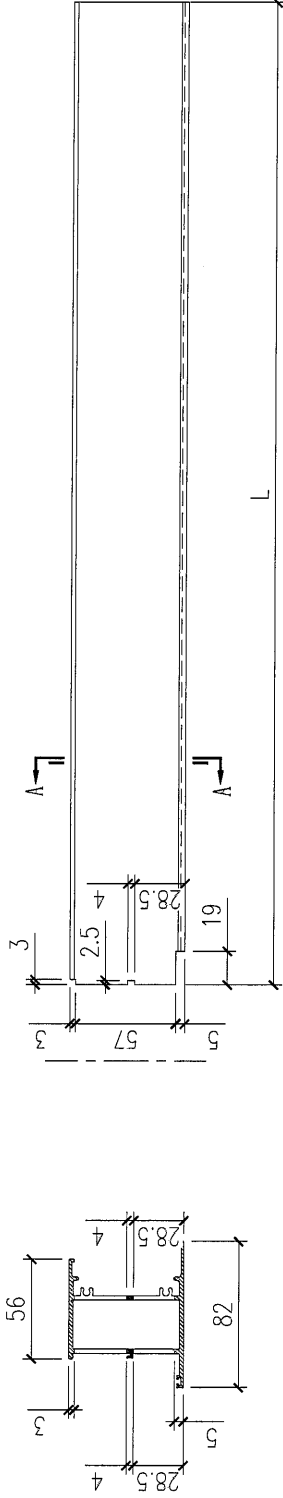


SECTION A-A

Remarks:		Checked: --	Description:	QTY: --	Delivery to Rev.	Date	1 X85688-01A 309
Project Name:	Project No. J851	Date: --	梗底横, X856882	Tolerance: ±0.5	Factory		序号 部件编号 L
Shop Drawing No. PRE-CAST ALUM. WINDOW & LOUVRE	Rev. --	Drawn: W.E.X	Material: 6061-T6	±0.5	Site		Amendments
		Date: 15-02-2020	Finish: UCT534193SC-3	Projection:	Assembly No. X85688-01		

MIDI Aluminium Fabricator Ltd.

FABRICATION DRAWING

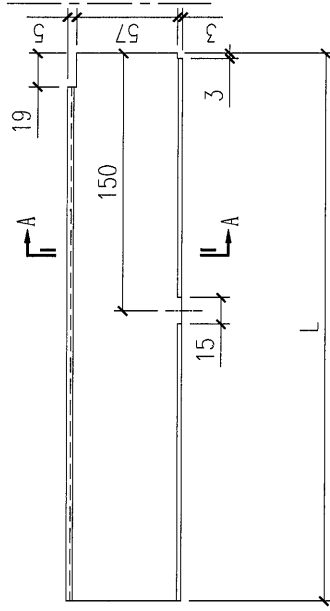
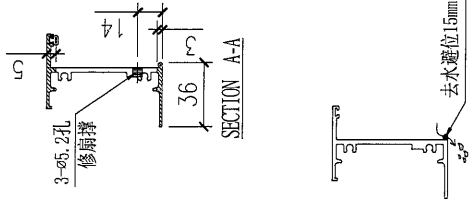


SECTION A-A

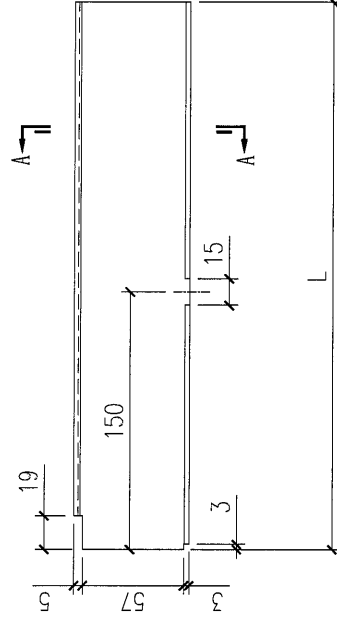
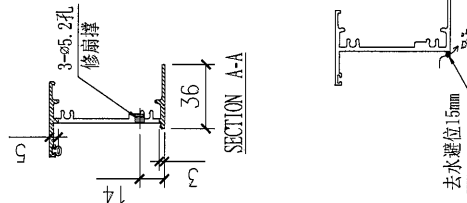
Remarks:		Checked: --	QTY: --	Delivery to Rev.	Date	1 X85688-02A 309
Project Name: 青衣190		Date: --	Factory	Amendments		序号 部件编号 L
Shop Drawing No. PRE-CAST ALUM. WINDOW & LOUVRE		Drawn: W.E.X	Tolerance: ±0.5	Assembly No. X85688-02		Rev. --
Project No. J851		Date: 15-02-2020	Projection:	Site		
Description: 梗底横, X856882		Material: 6061-T6		Rev.		
Finish: UCT534193SC-3						

MIDI Aluminium Fabricator Ltd.

FABRICATION DRAWING

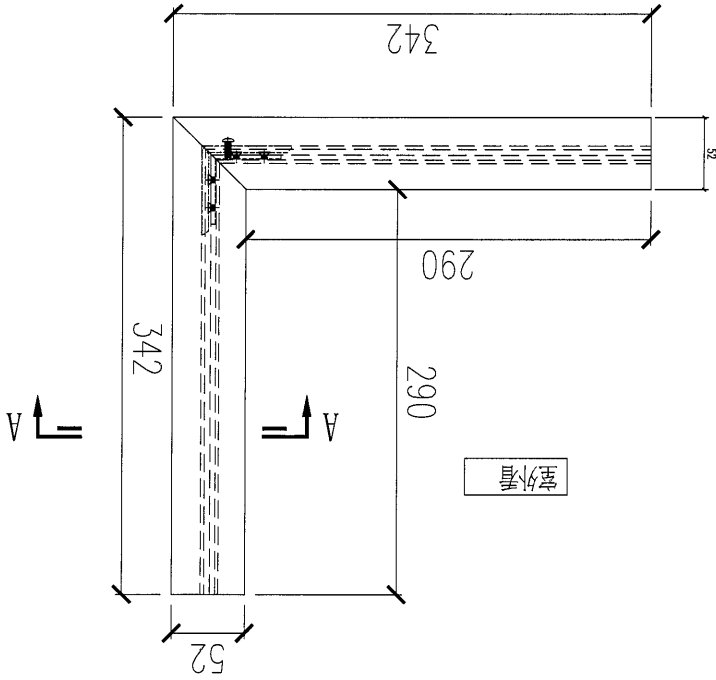


1	X85687-03LB	339
序号	部件编号	L



1	X85687-03RB	339
序号	部件编号	L

Remarks:	Checked:	—	Quantity:	—	Delivery to Rev.	Date	Amendments	
	Date:	—	Tolerance:	±0.5	Factory			
Project Name:	Project No.	J851	Material:	6061-T6	Site		Assembly No.	X85687-03
Shop Drawing No.	Rev.	—	Finish:	UC153419.3SC-3	Projection:	⊕	Rev.	—
Description:		生底横, X856870						
Date:		15-02-2020						
Drawn:		W.E.X						
Date:		15-02-2020						

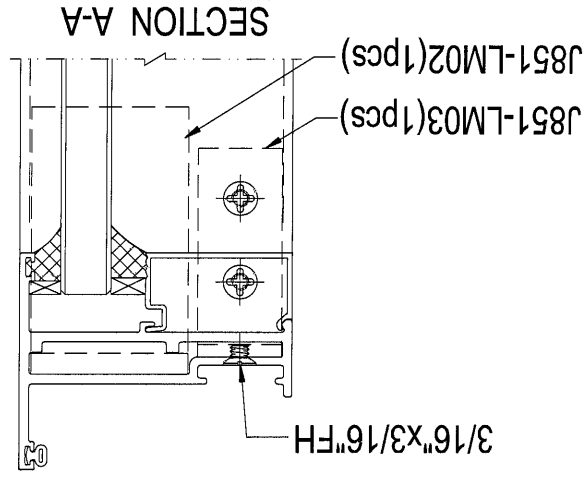
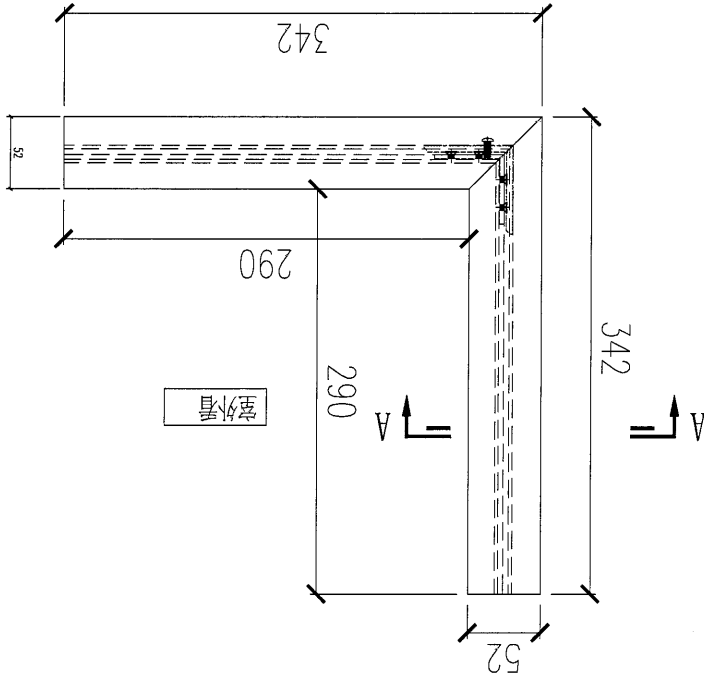


室外窗



注：
 1) 采用SS801-16"螺栓
 2) 窗玉玻璃线槽嵌合
 3) 采用东坡202-06铁点

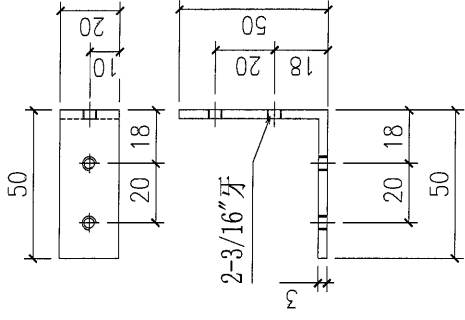
Remarks:		Checked: -		Description: 窗玉组装图		QTY: -		Delivery to Rev. Date		Amendments	
Project Name: 青衣190		Date: -		Material: -		Tolerance: ±0.5		Factory			
Shop Drawing No. PRE-CAST ALUM. WINDOW & LOUVRE		Drawn: W.E.X		Finish: -		Projection:		Site		Assembly No. J851-SH001R	
Project No. J851		Date: 15-02-2020								Rev. -	



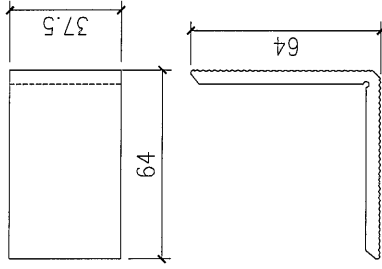
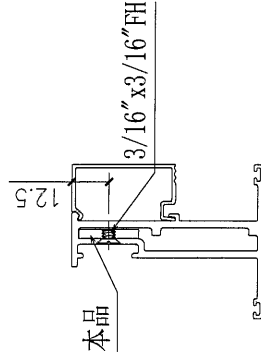
注: 1) 采用SS901-10" 标准;
2) 窗玉玻璃线槽嵌合;
3) 采用车城202-05铁片

Remarks:	Checked: -	Description: 窗玉组裝图	QTY: -	Delivery to Rev. Date	Amendments
	Date: -	Material: -	Tolerance: ±0.5	Factory	
Project Name: 青衣190	Drawn: W.E.X	Finish: -	Projection:	Site	
Shop Drawing No. PRE-CAST ALUM. WINDOW & LOUVRE	Date: 15-02-2020			Assembly No. J851-SH001L	Rev. -

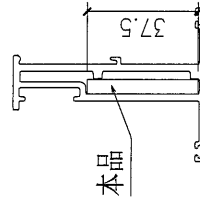
FABRICATION DRAWING



图号: J851-LM03
 名称: ME0001961 (50*50*3铝角, MILL)
 数量: 2只
 窗玉组装机2



图号: J851-LM02
 名称: X84236 (MILL)
 数量: 2只
 窗玉组装机1



Remarks:	Checked: --	Description: --	QTY: --	Delivery to Rev.:	Date:	Amendments:
	Date: 22-12-2014	Material: 见图	Tolerance: ±0.5	Factory		
Project Name: 青衣190	Project No. J851	Finish: --	Projection:	Site:	Assembly No. J851-LM01~03	Rev. --
Shop Drawing No. PRE-CAST ALUM. WINDOW & LOUVRE	Rev. --					