



工程指示 / 要求簡箋(E.I.)

工程指示編號：EI / 1643 / 20

修改版次：-

工程編號：J851

工程名稱：青衣 明翹匯

工程項目：確認模圖(欄河位置)

收件人：羅小姐

發件人：Leung Hin Wai

日期：31/03/2020

要求提供 / 確認 事項：

- | | | |
|------------------------------------|-------------------------------------|-------------------------------|
| <input type="checkbox"/> 初步鋁料 B.M. | <input type="checkbox"/> 加工拆圖，然後生產 | <input type="checkbox"/> 尺寸表 |
| <input type="checkbox"/> 正式鋁料 B.M. | <input type="checkbox"/> 技術上資料 / 指示 | <input type="checkbox"/> 報價 |
| <input type="checkbox"/> 配件 B.M. | <input type="checkbox"/> 樣辦或貨品說明書 | <input type="checkbox"/> 分判合約 |
| <input type="checkbox"/> 其他：_____ | | |

內容：

確認模圖。共 16 頁。

請在_____前完成上列要求。

附有關圖紙 / 文件： -

以上項目為：

- 原合約工程包 原合約工程加 / 減賬 新工程報價

原因：-

分發東莞各部門：

- () 生產技術總監 連附件 () 技術部 連附件 () 生產部 連附件 () 機械設計部 連附件
 () 採購部 連附件 () 生產統籌部 連附件
 () 質檢部 連附件 () 會計部 連附件 () 報關組 連附件 () 其他 _____ 連附件

分發香港各部門：

- () 行政部 連附件 () 會計部 連附件 () 統籌部 連附件 () 工程部地盤科文 連附件
 () 採購部 連附件 () QS 部 連附件 () 維修部 連附件 () 其他 _____ 連附件

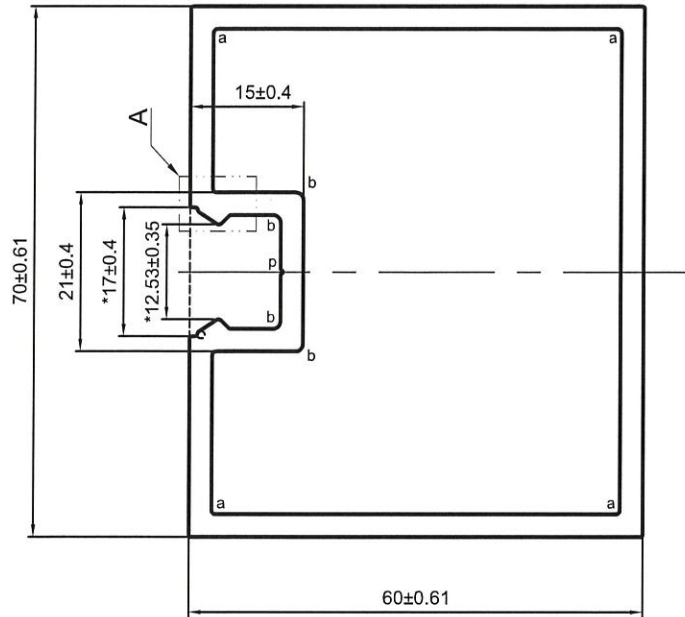
傳遞編號：

HR0472

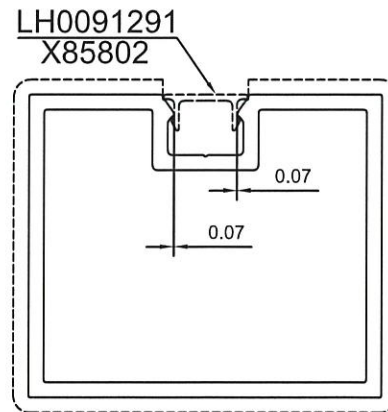
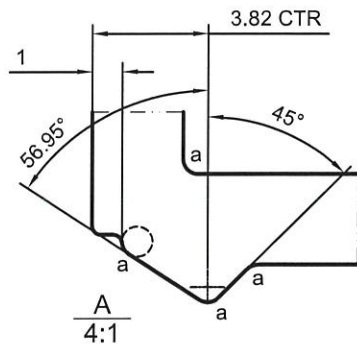
發件人簽署：

項目經理簽署：

CUSTOMER	HONGKONG CO.	CUSTOMER APPROVAL	CUST PART NO.	X85787
			SECTION NO.	LH0091276



美特鋁質有限公司
承認圖面
日期 3/3-2020



p=R0.3X0.3

a=R0.5 b=R1

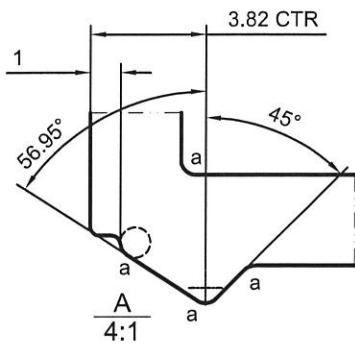
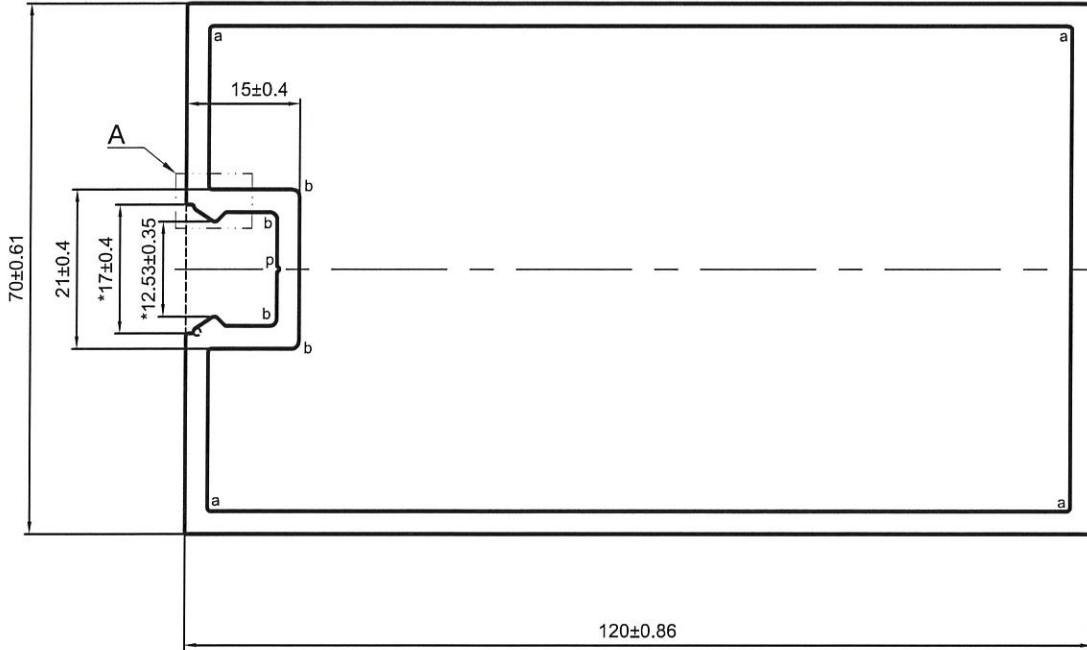
*配合尺寸以实物配合效果为准!

V.F
SCALE 1:1.5

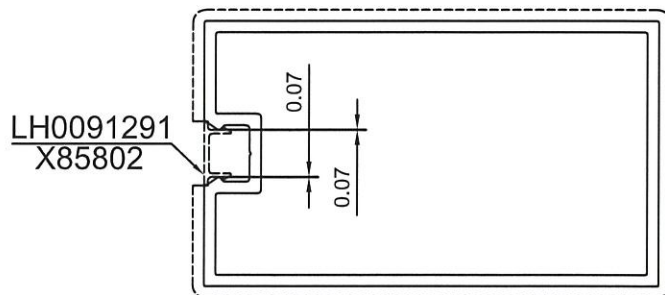
SIGNATURE GRADEING	HIGH SIGNATURE GRADEING	C.C.DIA(MM)	Ø 91.95		喷涂收费周长(mm): 242.83				
AREA (SQ MM)	818.44	UNSPECIFIED THICKNESS	3±0.25	PERIMETER (MM)	283.20	STANDARD	BS EN755	SCALE	1:1
MASS (KG/M)	2.218	UNSPECIFIED CORNERS	R 0.3	SURFACE AREA	242.83	ALLOY	6063-T6	VERSION	A
COMPANY ISSUE	A		DRAWN	陈晓舒	DATE	2020-03-26	APPELLATION	-	PAGE OF
			STANDARDIZATION		DATE				
			TO SIGN	陈国提	DATE				
			AUDITING		DATE				
MARKER	MODIFY	FILE NO	SIGNATURE	DATE	APPROV				

PANASIA ALUMINUM (CHINA) LIMITED

CUSTOMER	HONGKONG CO.	CUSTOMER APPROVAL	CUST PART NO.	X85788
			SECTION NO.	LH0091277



美特鋁質有限公司
承認圖面
日期 3/3-2020



p=R0.3X0.3

a=R0.5 b=R1

*配合尺寸以实物配合效果为准!

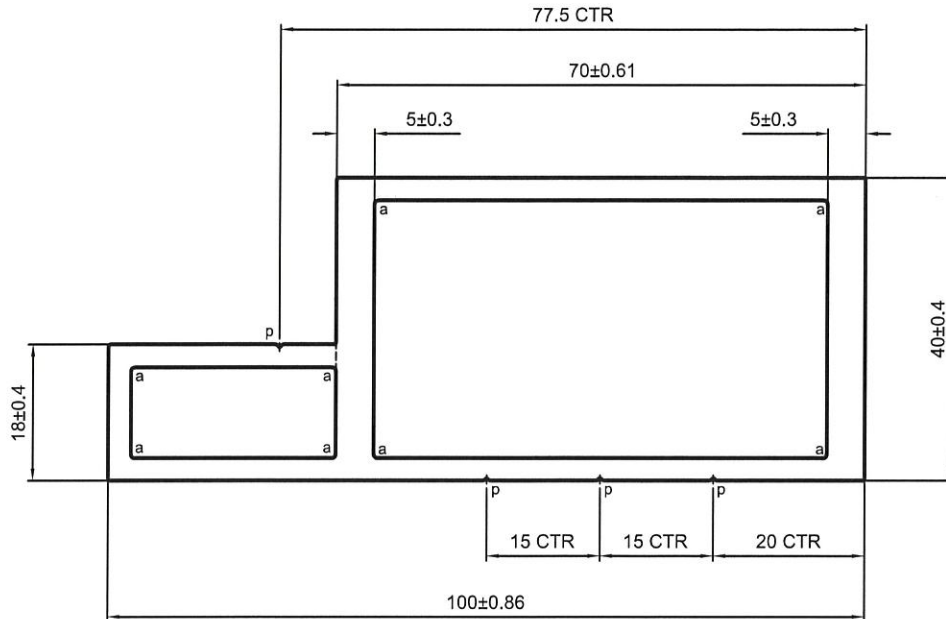
V.F

SCALE 1:2

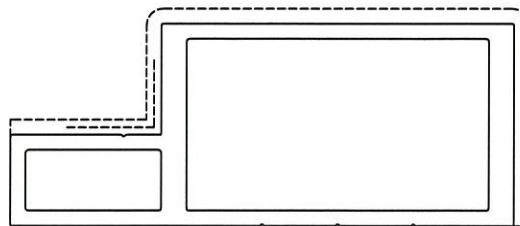
SIGNATURE GRADEING	HIGH SIGNATURE GRADEING	C.C.DIA(MM)	Ø 138.71		喷涂收费周长(mm):		362.83		
AREA (SQ MM)	1178.44	UNSPECIFIED THICKNESS	3±0.25	PERIMETER (MM)	403.20	STANDARD	BS EN755	SCALE	1:1
MASS (KG/M)	3.194	UNSPECIFIED CORNERS	R 0.3	SURFACE AREA	362.83	ALLOY	6063-T6	VERSION	A
COMPANY ISSUE		A	DRAWN	陈晓舒	DATE	2020-03-26	APPELLATION	-	PAGE OF
			STANDARDIZATION		DATE				
			TO SIGN	陈国提	DATE				
			AUDITING		DATE				
MARKER	MODIFY	FILE NO	SIGNATURE	DATE	APPROV	DATE			

 PANASIA ALUMINUM (CHINA) LIMITED

CUSTOMER	HONGKONG CO.	CUSTOMER APPROVAL	CUST PART NO.	X85789
			SECTION NO.	LH0091278



美特鋁質有限公司	
承認圖面	⚡
日期	31/3-2020



p=R0.3X0.3

a=R0.5

----- 次要装饰面, 喷涂膜厚不足, 但不露底

----- 装饰面

备注: 没有配合型号!

(V.F)

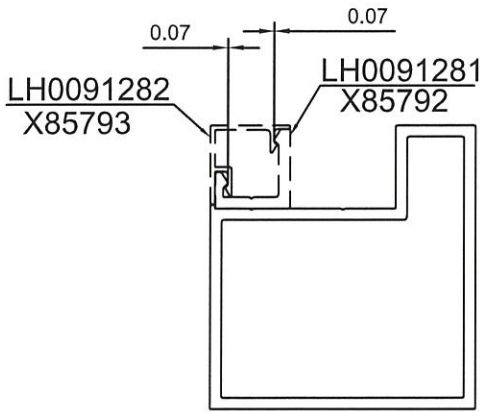
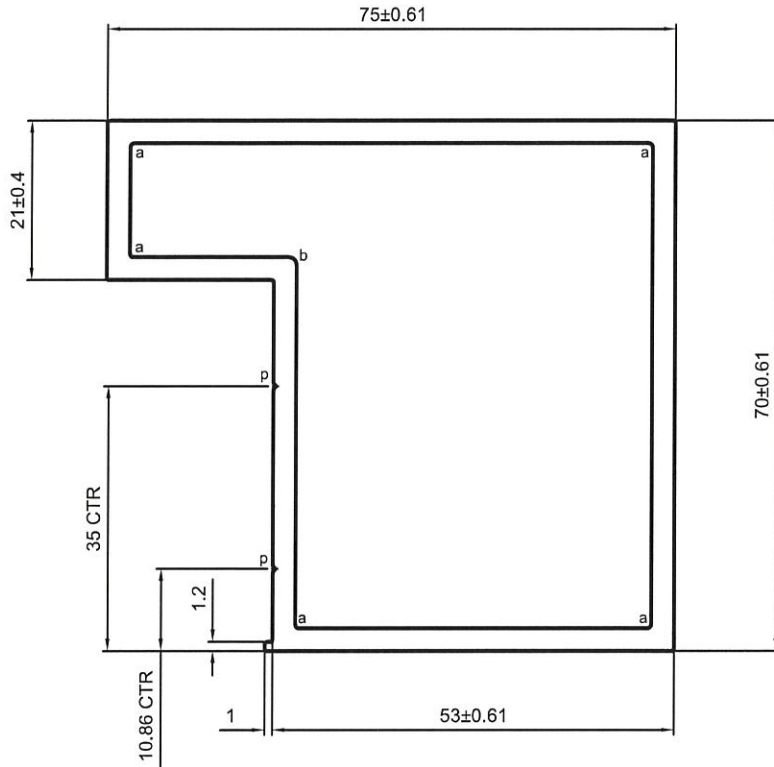
SCALE 1:1.5

SIGNATURE GRADEING	HIGH SIGNATURE GRADEING	C.C.DIA(MM)	Ø 107.53				喷涂收费周长(mm):	162.17	
AREA (SQ MM)	975.73	UNSPECIFIED THICKNESS	3±0.25	PERIMETER (MM)	280.10	STANDARD	BS EN755	SCALE	1:1
MASS (KG/M)	2.644	UNSPECIFIED CORNERS	R 0.3	SURFACE AREA	162.17	ALLOY	6063-T6	VERSION	A
COMPANY ISSUE		A	DRAWN	陈晓舒	DATE	2020-03-26	APELLATION	-	PAGE OF
			STANDARDIZATION		DATE				
			TO SIGN	陈国提	DATE				
			AUDITING		DATE				
MARKER	MODIFY	FILE NO	SIGNATURE	DATE	APPROV	DATE			

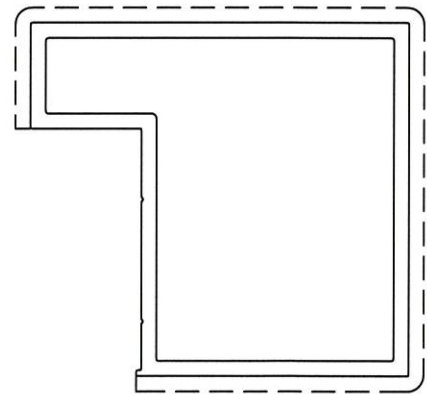


PANSIA ALUMINUM (CHINA) LIMITED

CUSTOMER	HONGKONG CO.	CUSTOMER APPROVAL	CUST PART NO.	X85791
			SECTION NO.	LH0091280



美特铝质有限公司	
承認圖面	<i>[Signature]</i>
日期	3/3-2020



p=R0.3X0.3

a=R0.5 b=R1

----- 次要装饰面, 喷涂膜厚不足, 但不露底

----- 装饰面

SCALE 1:2

*配合尺寸以实物配合效果为准!

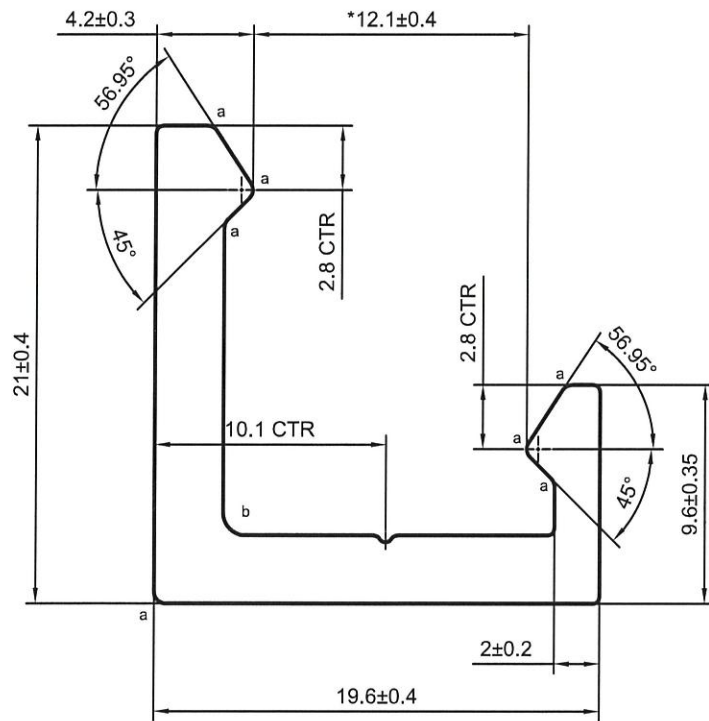
(V.F)

SCALE 1:1.5

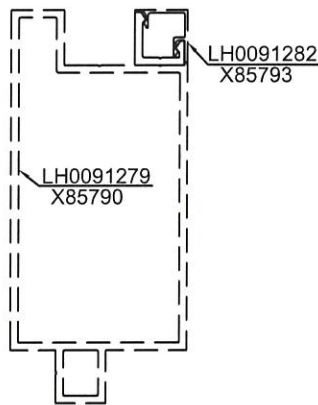
SIGNATURE GRADEING	HIGH SIGNATURE GRADEING	C.C.DIA(MM)	Ø 102.35		喷涂收费周长(mm):		219.97		
AREA (SQ MM)	834.88	UNSPECIFIED THICKNESS	3±0.25	PERIMETER (MM)	291.42	STANDARD	BS EN755	SCALE	1:1.5
MASS (KG/M)	2.263	UNSPECIFIED CORNERS	R 0.3	SURFACE AREA	219.97	ALLOY	6063-T6	VERSION	A
COMPANY ISSUE		A	DRAWN	陈晓舒	DATE	2020-03-26	APPELLATION	-	PAGE OF
			STANDARDIZATION		DATE				
			TO SIGN	陈国提	DATE				
			AUDITING		DATE				
MARKER	MODIFY	FILE NO	SIGNATURE	DATE	APPROV				

PANASIA ALUMINUM (CHINA) LIMITED

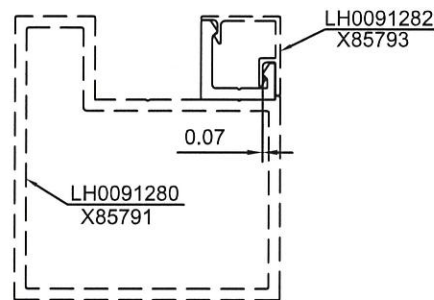
CUSTOMER	HONGKONG CO.	CUSTOMER APPROVAL	CUST PART NO.	X85792
			SECTION NO.	LH0091281



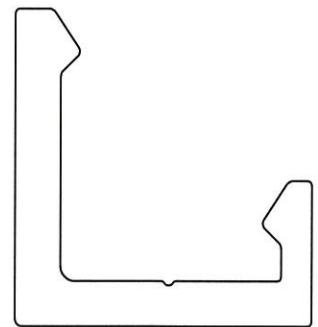
美特鋁質有限公司
承認圖面
日期 3/3-2020



SCALE 1:3



SCALE 1:2



NO.V.F
SCALE 2:1

p=R0.3X0.3

a=R0.5 b=R1

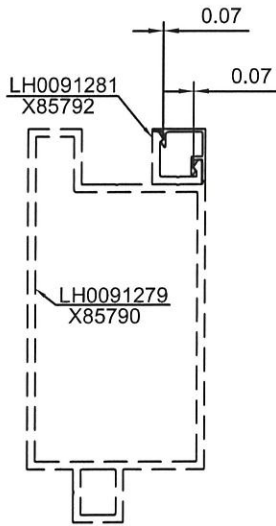
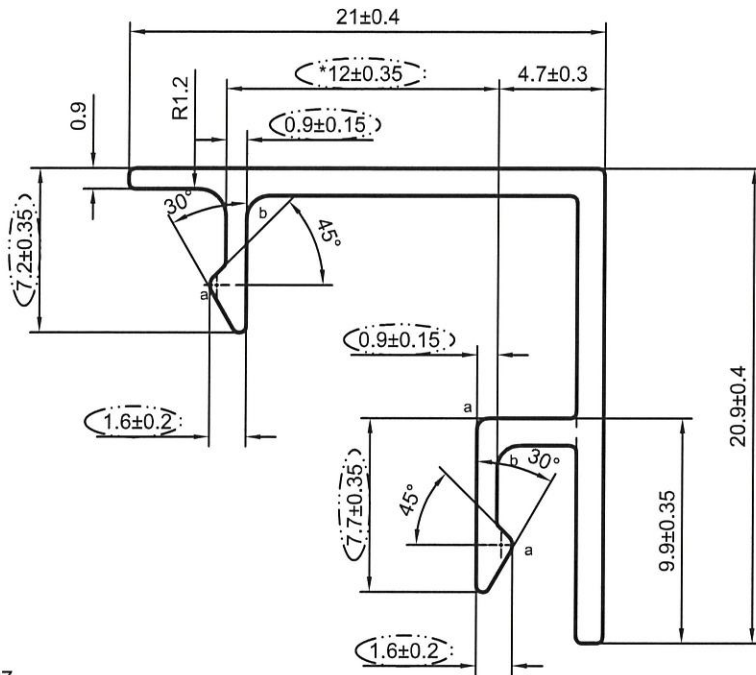
*配合尺寸以实物配合效果为准!

SIGNATURE GRADEING	HIGH SIGNATURE GRADEING	C.C.DIA(MM)	Ø 28.48		喷涂收费周长(mm): -				
AREA (SQ MM)	130.38	UNSPECIFIED THICKNESS	3±0.25	PERIMETER (MM)	94.38	STANDARD	BS EN755	SCALE	3:1
MASS (KG/M)	0.353	UNSPECIFIED CORNERS	R 0.3	SURFACE AREA	-	ALLOY	6063-T6	VERSION	A
COMPANY ISSUE		A	DRAWN	陈晓舒	DATE	2020-03-27	APPELLATION	-	PAGE OF
			STANDARDIZATION		DATE				
			TO SIGN	陈国提	DATE				
			AUDITING		DATE				
MARKER	MODIFY	FILE NO	SIGNATURE	DATE	APPROV				

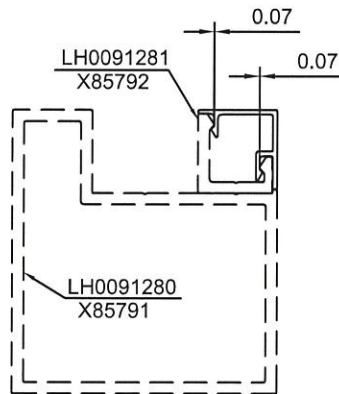


PANASIA ALUMINUM (CHINA) LIMITED

CUSTOMER	HONGKONG CO.	CUSTOMER APPROVAL	CUST PART NO.	X85793
			SECTION NO.	LH0091282

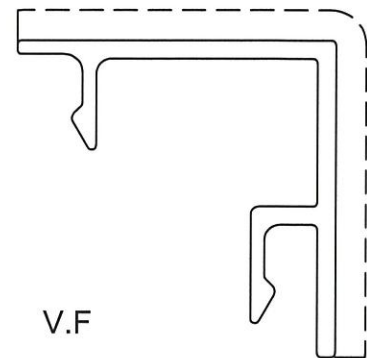


SCALE 1:3



SCALE 1:2

美特铝质有限公司
 承認圖面
 日期 3/3-2020



V.F
SCALE 2:1

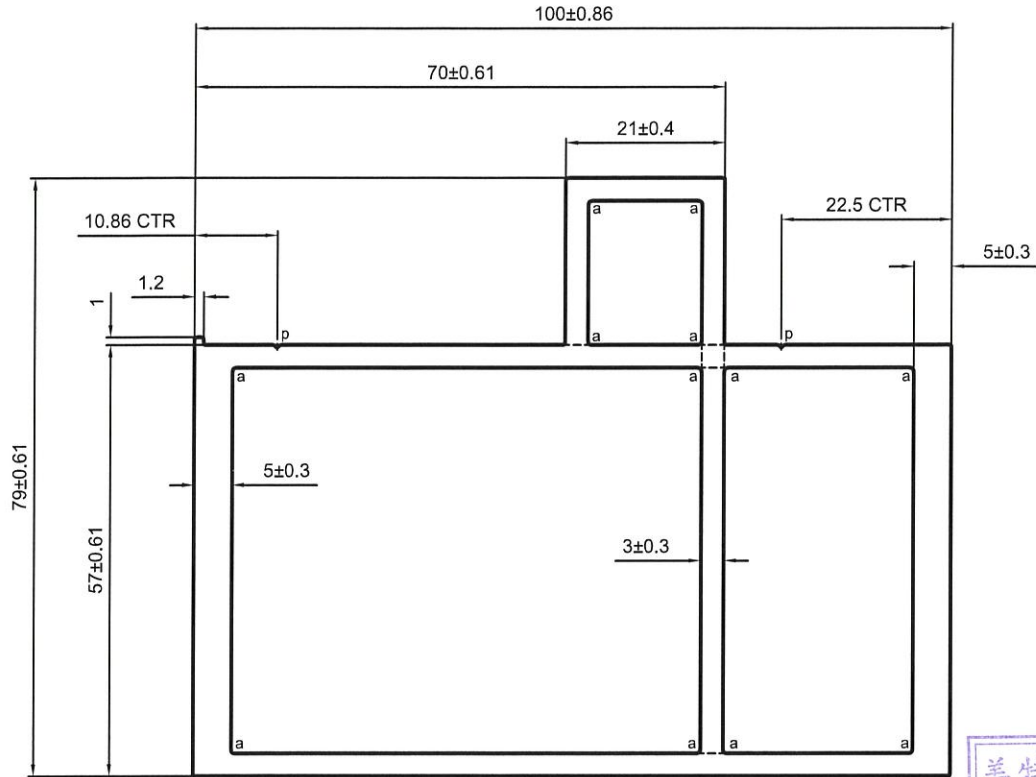
a=R0.5 b=R1

*配合尺寸以实物配合效果为准!

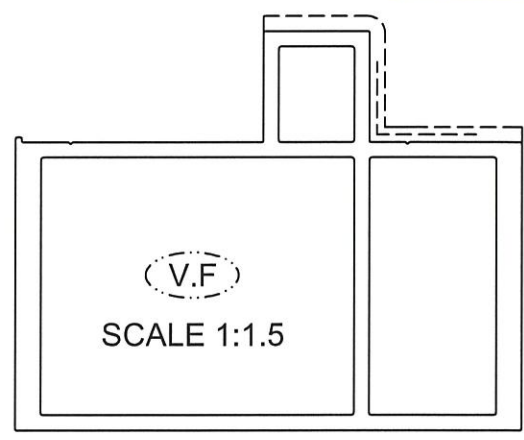
SIGNATURE GRADEING	HIGH SIGNATURE GRADEING	C.C.DIA(MM)	Ø 29.38		喷涂收费周长(mm):		42.10		
AREA (SQ MM)	66.14	UNSPECIFIED THICKNESS	1.2±0.15	PERIMETER (MM)	114.84	STANDARD	BS EN755	SCALE	3:1
MASS (KG/M)	0.179	UNSPECIFIED CORNERS	R 0.3	SURFACE AREA	42.10	ALLOY	6063-T6	VERSION	A
COMPANY ISSUE	A		DRAWN	陈晓舒	DATE	2020-03-26	APELLATION	-	PAGE OF
			STANDARDIZATION		DATE				
			TO SIGN	陈国提	DATE				
			AUDITING		DATE				
MARKER	MODIFY	FILE NO	SIGNATURE	DATE	APPROV	DATE			

PANASIA ALUMINUM (CHINA) LIMITED

CUSTOMER	HONGKONG CO.	CUSTOMER APPROVAL	CUST PART NO.	X85794
			SECTION NO.	LH0091283



美特鋁質有限公司
承認圖面
日期 31/3-2020



p=R0.3X0.3
a=R0.5

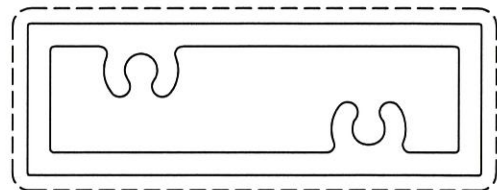
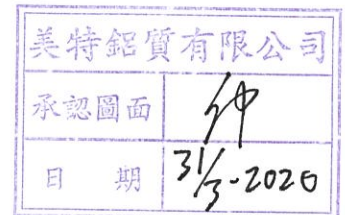
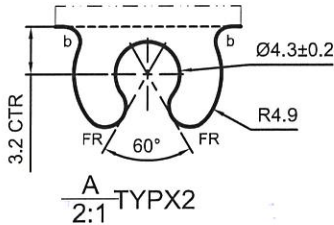
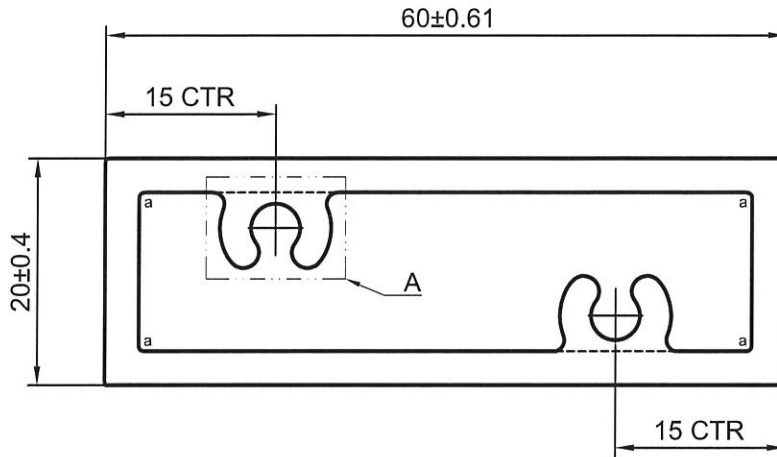
----- 次要装饰面，喷涂膜厚不足，但不露底
----- 装饰面

*配合尺寸以实物配合效果为准！

SIGNATURE GRADEING	HIGH SIGNATURE GRADEING	C.C.DIA(MM)	Ø 115.39				喷涂收费周长(mm):		73.30	
AREA (SQ MM)	1441.47	UNSPECIFIED THICKNESS	3±0.25	PERIMETER (MM)	359.17	STANDARD	BS EN755	SCALE	1:1	
MASS (KG/M)	3.906	UNSPECIFIED CORNERS	R 0.3	SURFACE AREA	73.30	ALLOY	6063-T6	VERSION	A	
COMPANY ISSUE		A		DRAWN	陈晓舒	DATE	2020-03-26	APPELLATION	-	PAGE OF
				STANDARDIZATION		DATE				
				TO SIGN	陈国提	DATE				
				AUDITING		DATE				
MARKER	MODIFY	FILE NO	SIGNATURE	DATE	APPROV		DATE			



CUSTOMER	HONGKONG CO.	CUSTOMER APPROVAL	CUST PART NO.	X85795
			SECTION NO.	LH0091284



a=R0.5 b=R1

备注：没有配合型号！

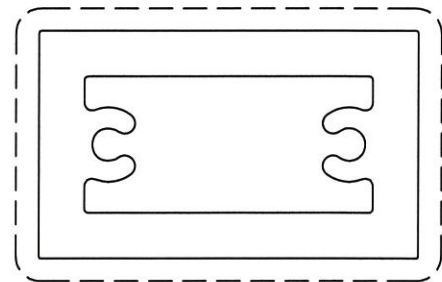
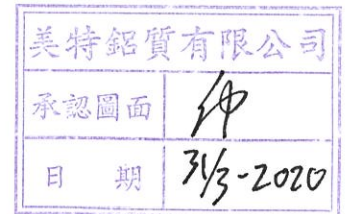
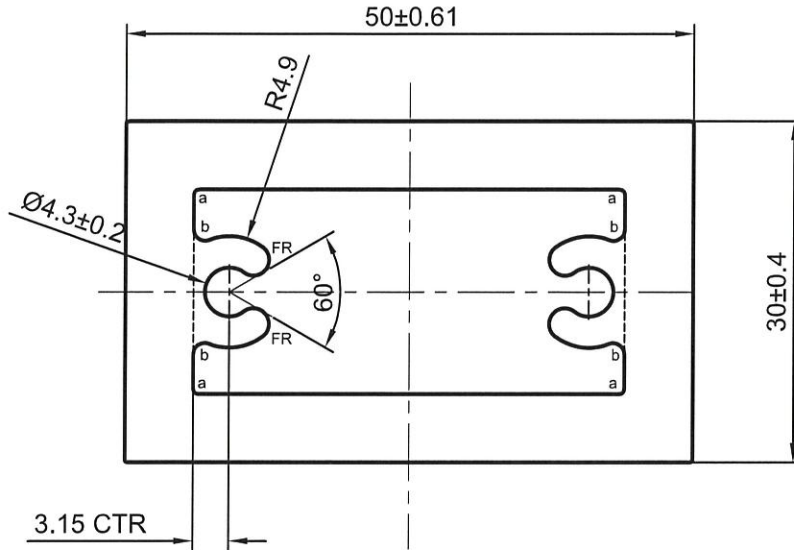
V.F

SCALE 1:1

SIGNATURE GRADEING	HIGH SIGNATURE GRADEING	C.C.DIA(MM)	Ø 63.09	喷涂收费周长(mm):				159.48	
AREA (SQ MM)	526.19	UNSPECIFIED THICKNESS	3±0.25	PERIMETER (MM)	159.48	STANDARD	BS EN755	SCALE	1.5:1
MASS (KG/M)	1.426	UNSPECIFIED CORNERS	R 0.3	SURFACE AREA	159.48	ALLOY	6063-T6	VERSION	A
COMPANY ISSUE		A	DRAWN	陈晓舒	DATE	2020-03-26	APPELLATION	-	PAGE OF
			STANDARDIZATION		DATE				
			TO SIGN	陈国提	DATE				
			AUDITING		DATE				
MARKER	MODIFY	FILE NO	SIGNATURE	DATE	APPROV	DATE			



CUSTOMER	HONGKONG CO.	CUSTOMER APPROVAL	CUST PART NO.	X85796
			SECTION NO.	LH0091285



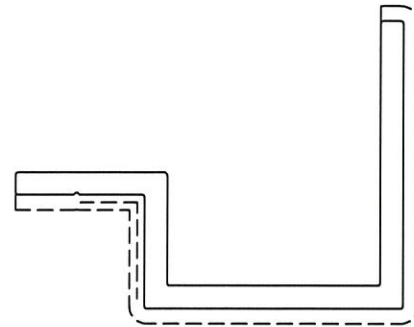
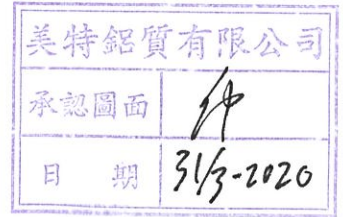
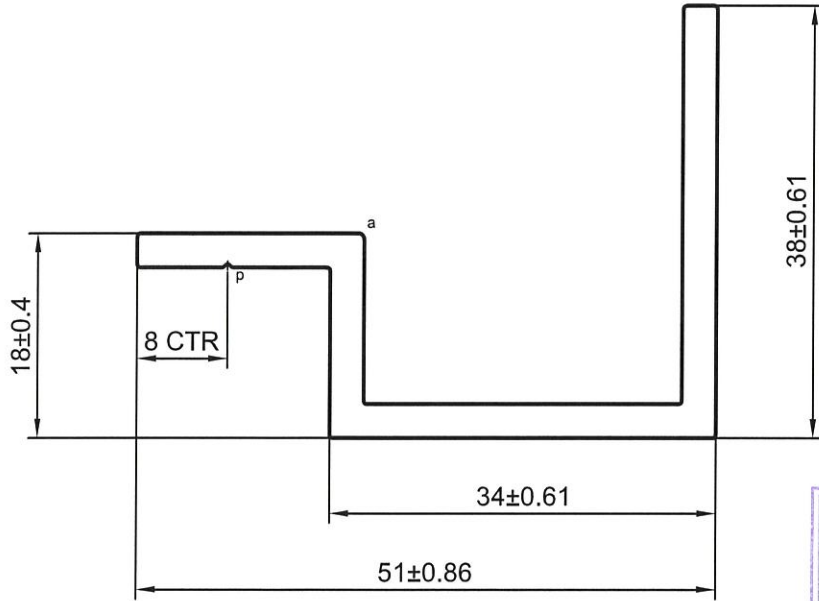
a=R0.5 b=R1
 备注：没有配合型号！

V.F
 SCALE 1:1

SIGNATURE GRADEING	HIGH SIGNATURE GRADEING	C.C.DIA(MM)	Ø 58.09				喷涂收费周长(mm):		159.48
AREA (SQ.MM)	898.19	UNSPECIFIED THICKNESS	6±0.3	PERIMETER (MM)	159.48	STANDARD	BS EN755	SCALE	1:1.5
MASS (KG/M)	2.434	UNSPECIFIED CORNERS	R 0.3	SURFACE AREA	159.48	ALLOY	6063-T6	VERSION	A
COMPANY ISSUE		A	DRAWN	陈晓舒	DATE	2020-03-26	APELLATION	-	PAGE OF
			STANDARDIZATION		DATE				
			TO SIGN	陈国提	DATE				
			AUDITING		DATE				
MARKER	MODIFY	FILE NO	SIGNATURE	DATE	APPROV				



CUSTOMER	HONGKONG CO.	CUSTOMER APPROVAL	CUST PART NO.	X85801
			SECTION NO.	LH0091290



p=R0.3X0.3

a=R0.5


----- 次要装饰面，喷涂膜厚不足，但不露底

----- 装饰面

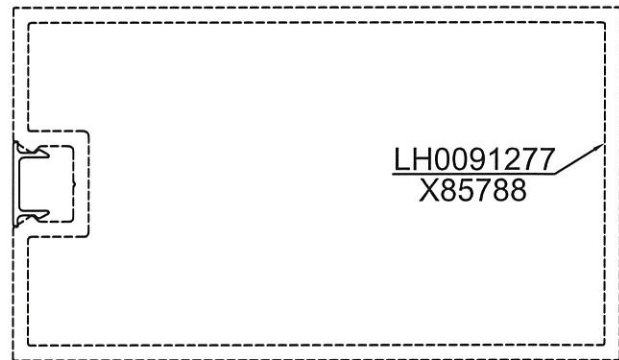
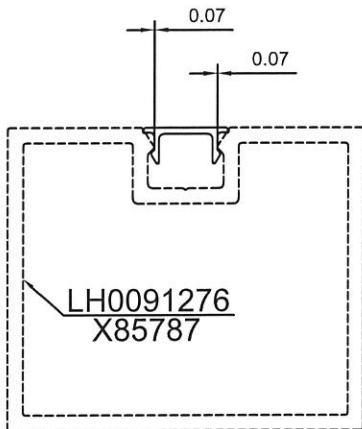
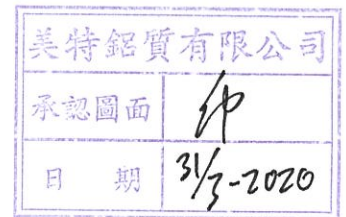
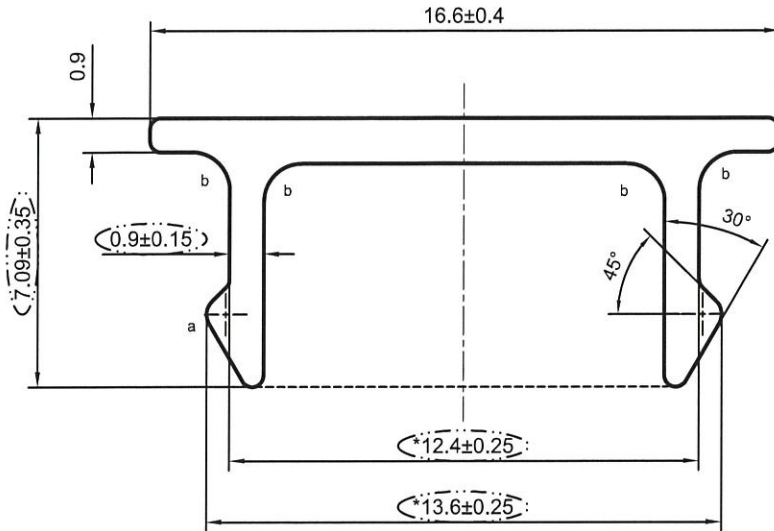
备注：没有配合型号！



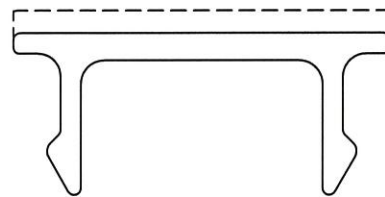
SCALE 1:1

SIGNATURE GRADEING	HIGH SIGNATURE GRADEING	C.C.DIA(MM)	Ø 58.15	喷涂收费周长(mm): 107.04					
AREA (SQ MM)	302.73	UNSPECIFIED THICKNESS	3±0.25	PERIMETER (MM)	206.84	STANDARD	BS EN755	SCALE	1.5:1
MASS (KG/M)	0.820	UNSPECIFIED CORNERS	R 0.3	SURFACE AREA	107.04	ALLOY	6063-T6	VERSION	A
COMPANY ISSUE		A	DRAWN	陈晓舒	DATE	2020-03-26	APPELLATION	-	PAGE OF
			STANDARDIZATION		DATE		 PANASIA ALUMINUM (CHINA) LIMITED		
			TO SIGN	陈国提	DATE				
			AUDITING		DATE				
MARKER	MODIFY	FILE NO	SIGNATURE	DATE	APPROV	DATE			

CUSTOMER	HONGKONG CO.	CUSTOMER APPROVAL	CUST PART NO.	X85802
			SECTION NO.	LH0091291



SCALE 1:1.5



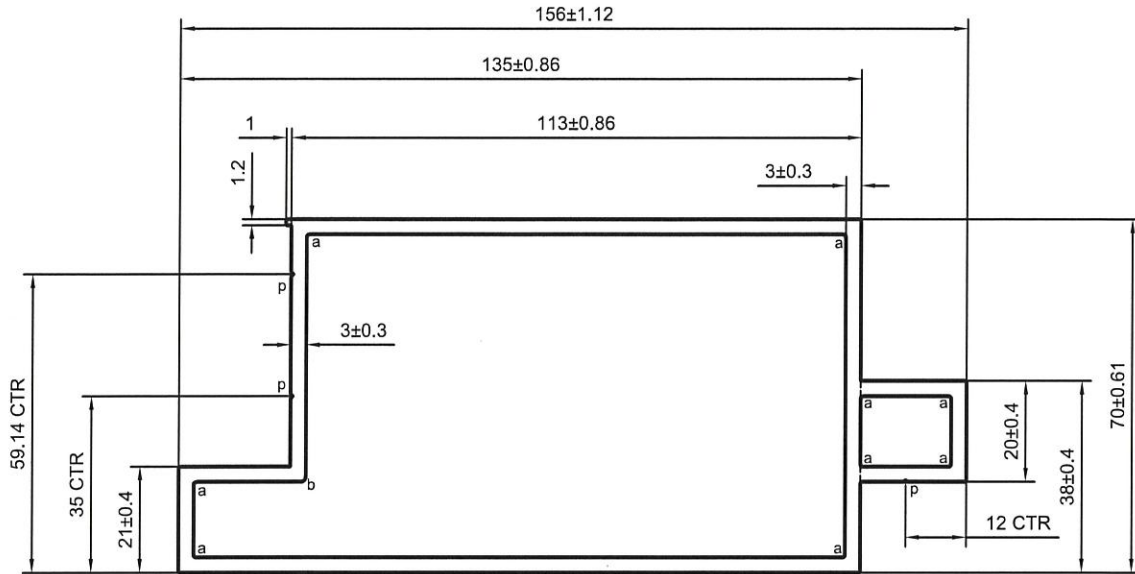
a=R0.5 b=R1

*配合尺寸以实物配合效果为准!

SIGNATURE GRADEING	HIGH SIGNATURE GRADEING	C.C.DIA(MM)	Ø 16.67		喷涂收费周长(mm):		16.94		
AREA (SQ MM)	31.06	UNSPECIFIED THICKNESS	1.2±0.15	PERIMETER (MM)	56.72	STANDARD	BS EN755	SCALE	5:1
MASS (KG/M)	0.084	UNSPECIFIED CORNERS	R 0.3	SURFACE AREA	16.94	ALLOY	6063-T6	VERSION	A
COMPANY ISSUE		A	DRAWN	陈晓舒	DATE	2020-03-26	APPELLATION	-	PAGE OF
			STANDARDIZATION		DATE				
			TO SIGN	陈国提	DATE				
			AUDITING		DATE				
MARKER	MODIFY	FILE NO	SIGNATURE	DATE	APPROV				

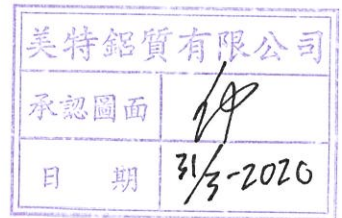


CUSTOMER	HONGKONG CO.	CUSTOMER APPROVAL	CUST PART NO.	X85790
			SECTION NO.	LH0091279



LH0091281
X85792

LH0091282
X85793



SCALE 1:3

p=R0.3X0.3

a=R0.5 b=R1

----- 次要装饰面, 喷涂膜厚不足, 但不露底

----- 装饰面

*配合尺寸以实物配合效果为准!



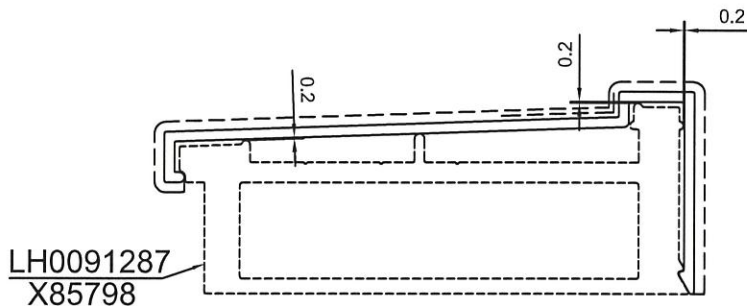
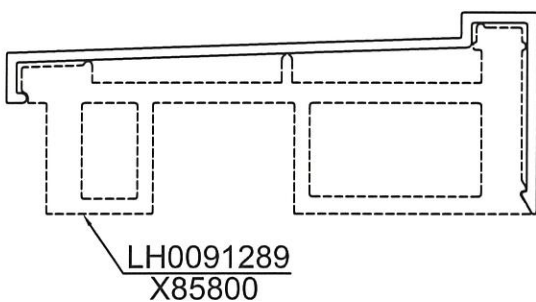
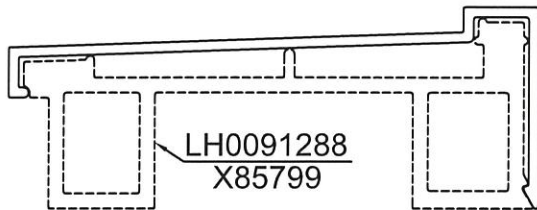
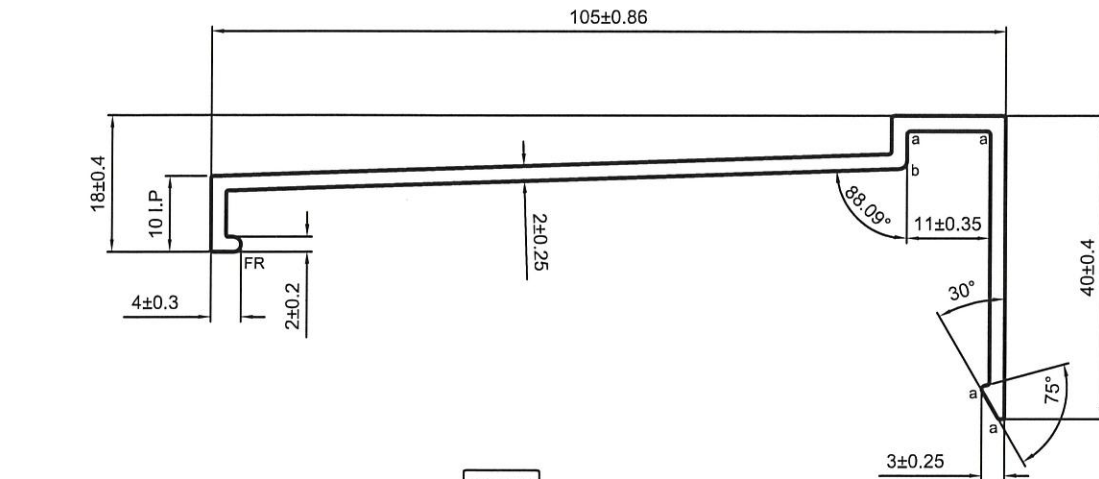
(V.F)

SCALE 1:2

SIGNATURE GRADEING	HIGH SIGNATURE GRADEING	C.C.DIA(MM)	Ø 161.51		喷涂收费周长(mm): 362.27				
AREA (SQ MM)	1362.93	UNSPECIFIED THICKNESS	3±0.25	PERIMETER (MM)	453.12	STANDARD	BS EN755	SCALE	1:1.5
MASS (KG/M)	3.694	UNSPECIFIED CORNERS	R 0.3	SURFACE AREA	362.27	ALLOY	6063-T6	VERSION	B
COMPANY ISSUE	A		DRAWN	陈晓舒	DATE	2020-03-31	APPELLATION	-	PAGE OF
			STANDARDIZATION		DATE				
			TO SIGN	陈国提	DATE				
			AUDITING		DATE				
MARKER	MODIFY	FILE NO	SIGNATURE	DATE	APPROV				

PANASIA ALUMINUM (CHINA) LIMITED

CUSTOMER	HONGKONG CO.	CUSTOMER APPROVAL		CUST PART NO.	X85797
				SECTION NO.	LH0091286



美特鋁質有限公司
承認圖面
日期 31/3-2020

a=R0.5 b=R1

----- 次要裝飾面，噴塗膜厚不足，但不露底

----- 裝飾面

*配合尺寸以实物配合效果为准！

(V.F)

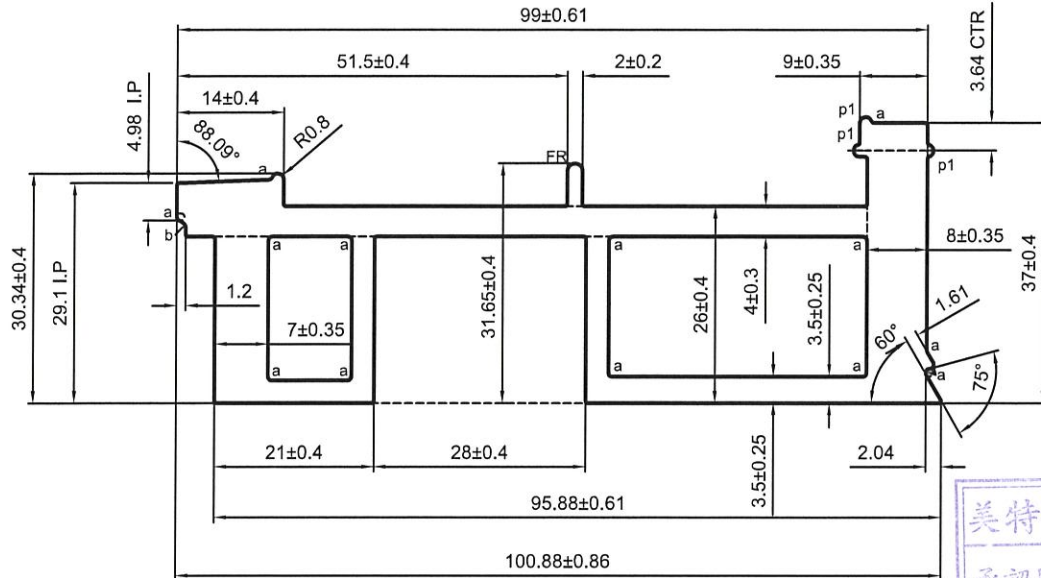
SCALE 1:1.5

SIGNATURE GRADEING	HIGH SIGNATURE GRADEING	C.C.DIA(MM)	Ø 109.9		SCALE 1:1.5		噴塗收費周長(mm):		166.38
AREA (SQ MM)	315.74	UNSPECIFIED THICKNESS	2±0.2	PERIMETER (MM)	317.24	STANDARD	BS EN755	SCALE	1:1
MASS (KG/M)	0.856	UNSPECIFIED CORNERS	R 0.3	SURFACE AREA	166.38	ALLOY	6063-T6	VERSION	B
COMPANY ISSUE	A	DRAWN	陈晓舒	DATE	2020-03-31	APELLATION	-	PAGE OF	
		STANDARDIZATION		DATE					
		TO SIGN	陈国提	DATE					
		AUDITING		DATE					
MARKER	MODIFY	FILE NO	SIGNATURE	DATE	APPROV				

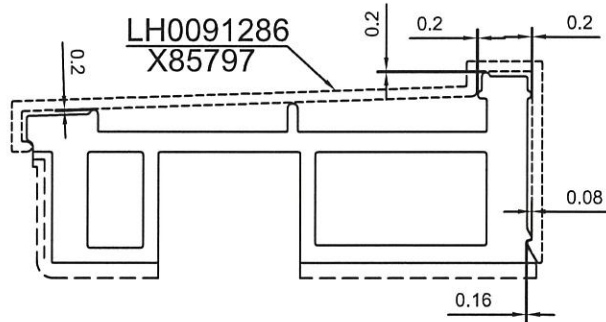


PANASIA ALUMINUM
(CHINA) LIMITED

CUSTOMER	HONGKONG CO.	CUSTOMER APPROVAL	CUST PART NO.	X85800
			SECTION NO.	LH0091289



美特鋁質有限公司
承認圖面
日期 3/3-2020



p1=R0.8X0.8

a=R0.5 b=R1.2

----- 次要装饰面, 喷涂膜厚不足, 但不露底

----- 装饰面

*配合尺寸以实物配合效果为准!

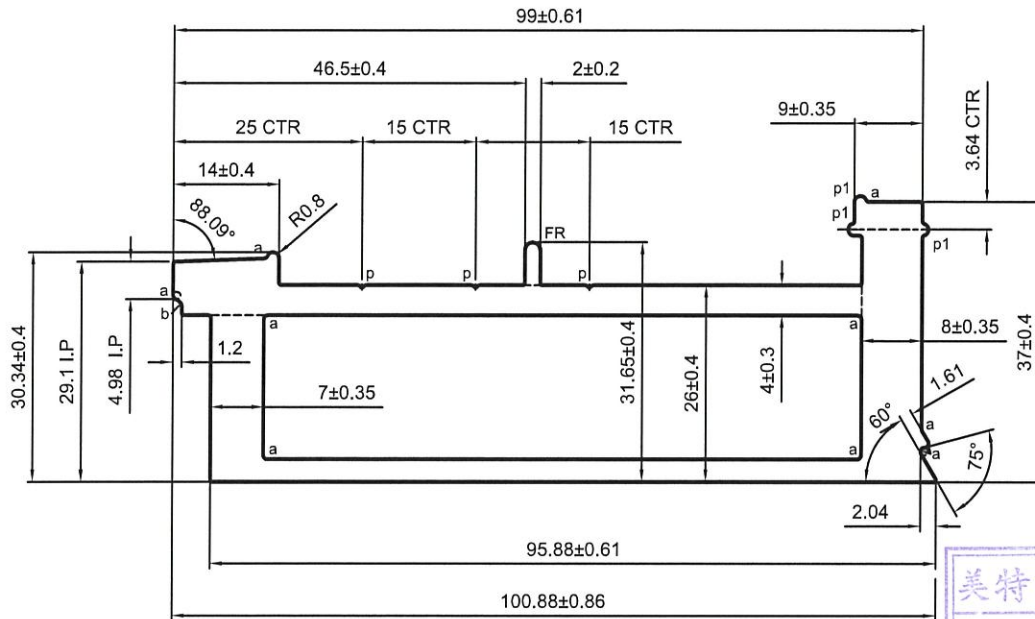
V.F

SCALE 1:1.5

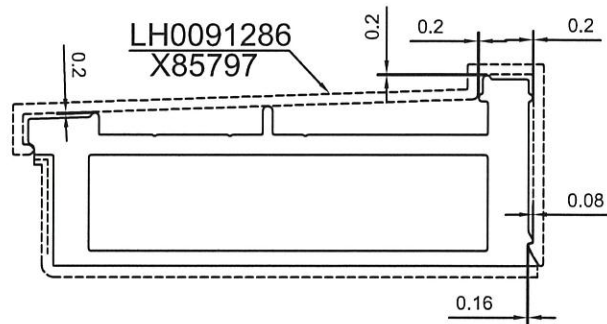
SIGNATURE GRADEING	HIGH SIGNATURE GRADEING	C.C.DIA(MM)	Ø 104.89		喷涂收费周长(mm): 94.26				
AREA (SQ MM)	1167.13	UNSPECIFIED THICKNESS	3±0.25	PERIMETER (MM)	338.91	STANDARD	BS EN755	SCALE	1:1
MASS (KG/M)	3.163	UNSPECIFIED CORNERS	R 0.3	SURFACE AREA	94.26	ALLOY	6063-T6	VERSION	B
COMPANY ISSUE		A	DRAWN	陈晓舒	DATE	2020-03-26	APPELLATION	-	PAGE OF
			STANDARDIZATION		DATE				
			TO SIGN	陈国提	DATE				
			AUDITING		DATE				
MARKER	MODIFY	FILE NO	SIGNATURE	DATE	APPROV	DATE			

PANASIA ALUMINUM (CHINA) LIMITED

CUSTOMER	HONGKONG CO.	CUSTOMER APPROVAL		CUST PART NO.	X85798
				SECTION NO.	LH0091287



美特铝质有限公司
 承認圖面
 日期 3/3-2020



p1=R0.8X0.8

p=R0.3X0.3

a=R0.5 b=R1.2

----- 次要装饰面, 喷涂膜厚不足, 但不露底

----- 装饰面

*配合尺寸以实物配合效果为准!

(V.F)

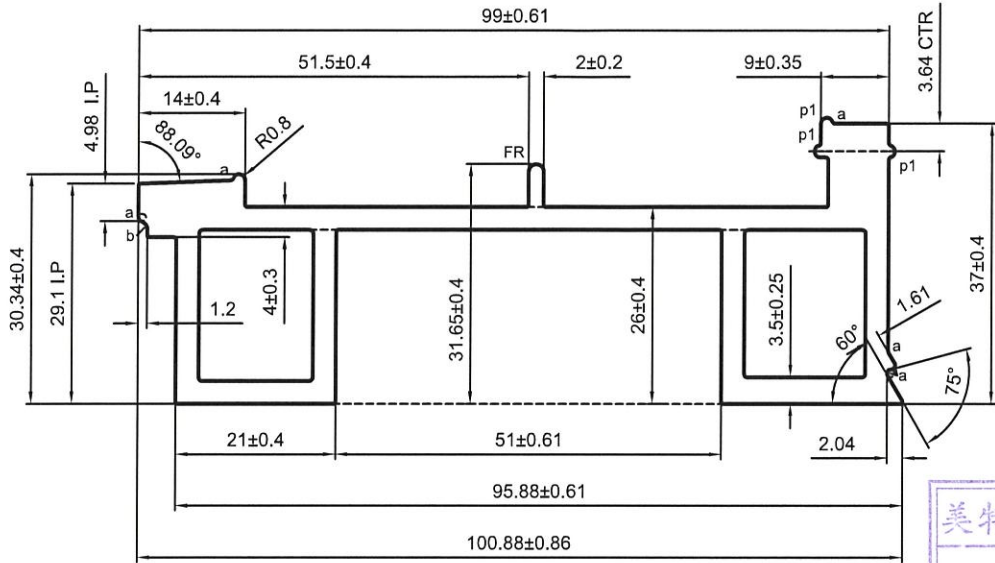
SCALE 1:1.5

SIGNATURE GRADEING	HIGH SIGNATURE GRADEING	C.C.DIA(MM)	Ø 104.89		喷涂收费周长(mm): 121.92				
AREA (SQ MM)	1119.45	UNSPECIFIED THICKNESS	3±0.25	PERIMETER (MM)	296.07	STANDARD	BS EN755	SCALE	1:1
MASS (KG/M)	3.034	UNSPECIFIED CORNERS	R 0.3	SURFACE AREA	121.92	ALLOY	6063-T5	VERSION	B
COMPANY ISSUE		A	DRAWN	陈晓舒	DATE	2020-03-31	APELLATION	-	PAGE OF
			STANDARDIZATION		DATE				
			TO SIGN	陈国提	DATE				
			AUDITING		DATE				
MARKER	MODIFY	FILE NO	SIGNATURE	DATE	APPROV	DATE			

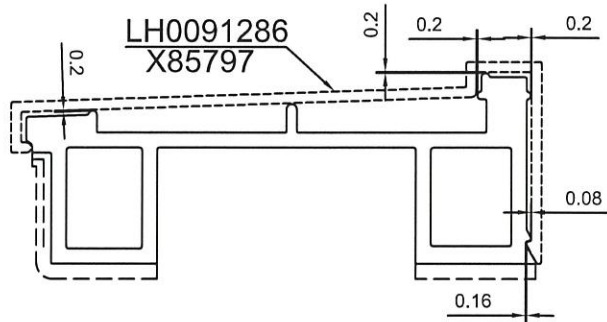


PANSIA ALUMINUM (CHINA) LIMITED

CUSTOMER	HONGKONG CO.	CUSTOMER APPROVAL		CUST PART NO.	X85799
				SECTION NO.	LH0091288



美特鋁質有限公司
承認圖面
日期 3/3-2020



p1=R0.8X0.8

a=R0.5 b=R1.2

----- 次要装饰面, 喷涂膜厚不足, 但不露底

----- 装饰面

*配合尺寸以实物配合效果为准!

V.F

SCALE 1:1.5

SIGNATURE GRADEING	HIGH SIGNATURE GRADEING	C.C.DIA(MM)	Ø 104.89		喷涂收费周长(mm): 71.26				
AREA (SQ MM)	836.13	UNSPECIFIED THICKNESS	3±0.25	PERIMETER (MM)	340.91	STANDARD	BS EN755	SCALE	1:1
MASS (KG/M)	2.266	UNSPECIFIED CORNERS	R 0.3	SURFACE AREA	71.26	ALLOY	6063-T6	VERSION	B
COMPANY ISSUE		A	DRAWN	陈晓舒	DATE	2020-03-31	APPELLATION	-	PAGE OF
			STANDARDIZATION		DATE				
			TO SIGN	陈国提	DATE				
			AUDITING		DATE				
MARKER	MODIFY	FILE NO	SIGNATURE	DATE	APPROV	DATE			



PANASIA ALUMINUM (CHINA) LIMITED