



工程指示 / 要求簡箋(E.I.)

工程指示編號：EI/ 1579 /20

修改版次：A

工程編號：J851

工程名稱：青衣明翹滙

工程項目：平台 Window Wall 預埋碼生產

收件人：Maggie Lor

發件人：Joe Chan

日期：13/3/2020

□要求提供 / 確認 事項：

- () 初步鋁料 B.M.
- () 加工拆圖，然後生產
- () 尺寸表
- () 正式鋁料 B.M.
- () 技術上資料 / 指示
- () 報價
- () 配件 B.M.
- () 樣辦或貨品說明書
- () 分判合約
- () 其他：_____



內容：

請依附件資料，生產 GMS 預埋碼，送地盤
驗焊：100% 目測，20% 磁粉。

請在 20/3/2020 前完成上列要求。

附有關圖紙 / 文件：

1 + 3 頁 + 7 頁

以上項目為：

- 原合約工程包
- 原合約工程加 / 減賬
- 新工程報價

原因：-

分發東莞各部門：

- () 生產技術總監 連附件 () 技術部 連附件 () 生產部 連附件 () 機械設計部 連附件
- () 採購部 連附件 () 生產統籌部 連附件
- () 質檢部 連附件 () 會計部 連附件 () 報關組 連附件 () 其他 _____ 連附件

分發香港各部門：

- () 行政部 連附件 () 會計部 連附件 () 統籌部 連附件 () 工程部地盤科文 連附件 積哥
- () 採購部 連附件 () QS 部 連附件 () 維修部 連附件 () 其他 _____ 連附件

傳遞編號：

發件人簽署：

項目經理簽署：

①

 美特鋁質 有限公司 MIDI Aluminium Fabricator Ltd.		工程號:	J-851	計算:	JOE CHAN	日期:	13/3/2020	送呈:			
		地盤名稱:	青衣	核對:	大明	日期:	13/3/2020	副本:			
地盤鐵件BM表		項目類別:		批准:		日期:					
BM編號:		修改版次:		A/C Code:		鐵件總重量KG:		1463.75			
序號	修改內容	鐵件圖號	鐵件名稱	顏色	實用	後備	總數	單位	單件 (kg)	總重量 (kg)	備注
1	A	EM-PX	預埋碼	熱浸鋅	116	10	126	件	9.600	1209.600	增加數量
2		EM-PY	預埋碼	熱浸鋅	8	1	9	件	22.100	198.900	
3	A	EM-PZ	預埋碼	熱浸鋅	4	1	5	件	11.050	55.250	新增
					合計:		140	件	合共:	1463.750	

EG-DWG4

2



美特鋁質 有限公司
MIDI Aluminium Fabricator Ltd.

類別

物料號

制圖

圖號 J851-EM-P

PZ

修改

復核

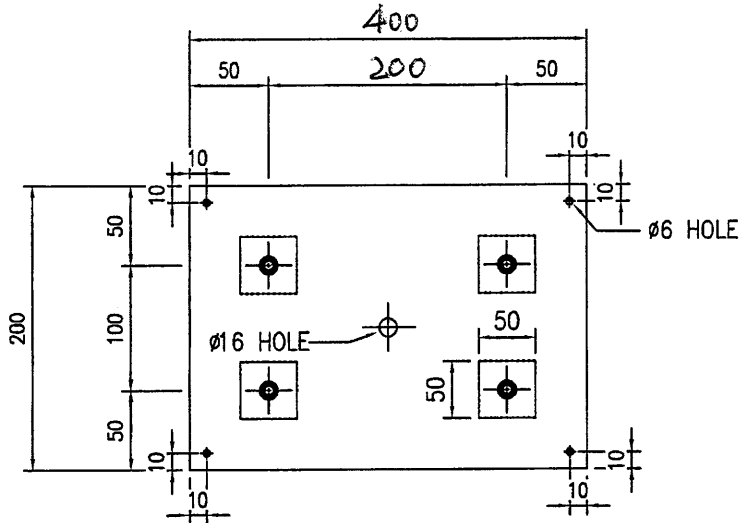
數量 4+1

日期

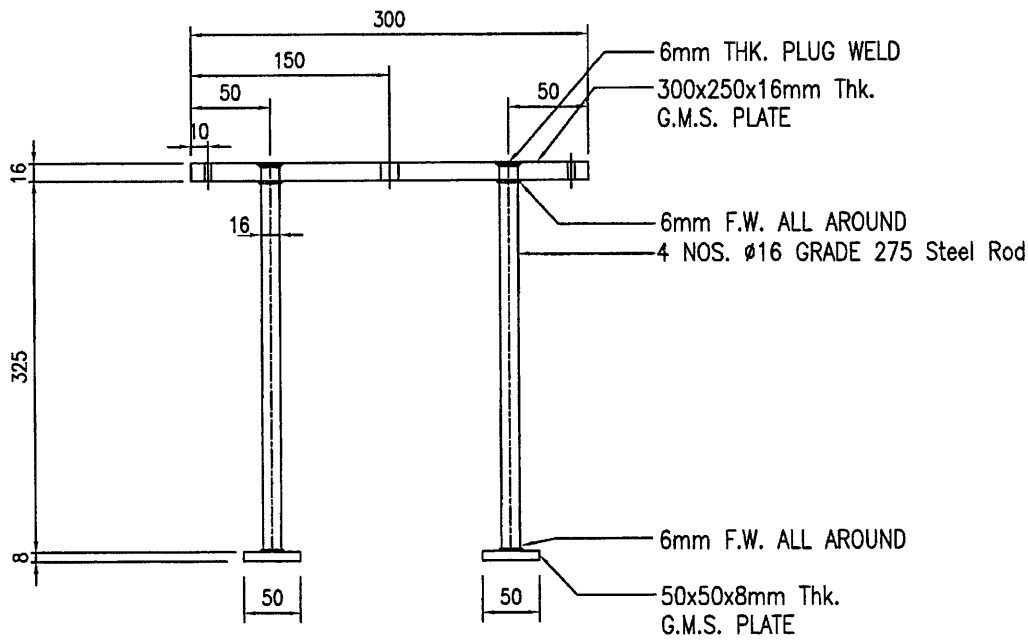
批准

位置 PODIUM

單件重量: 11.05 KG



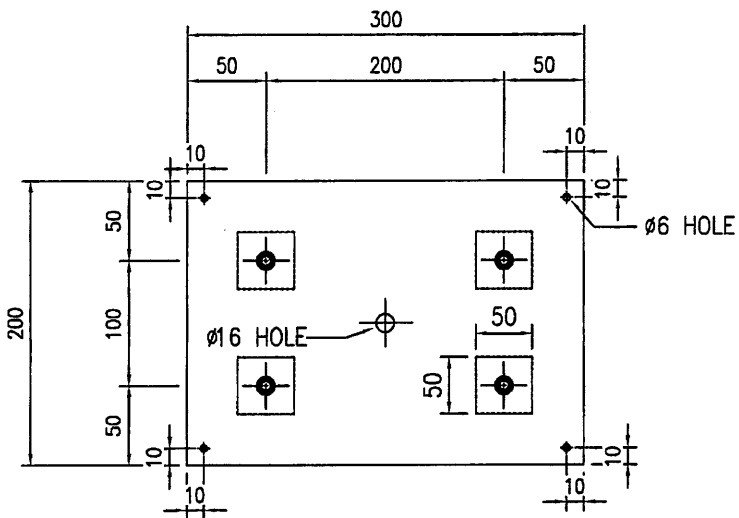
新增



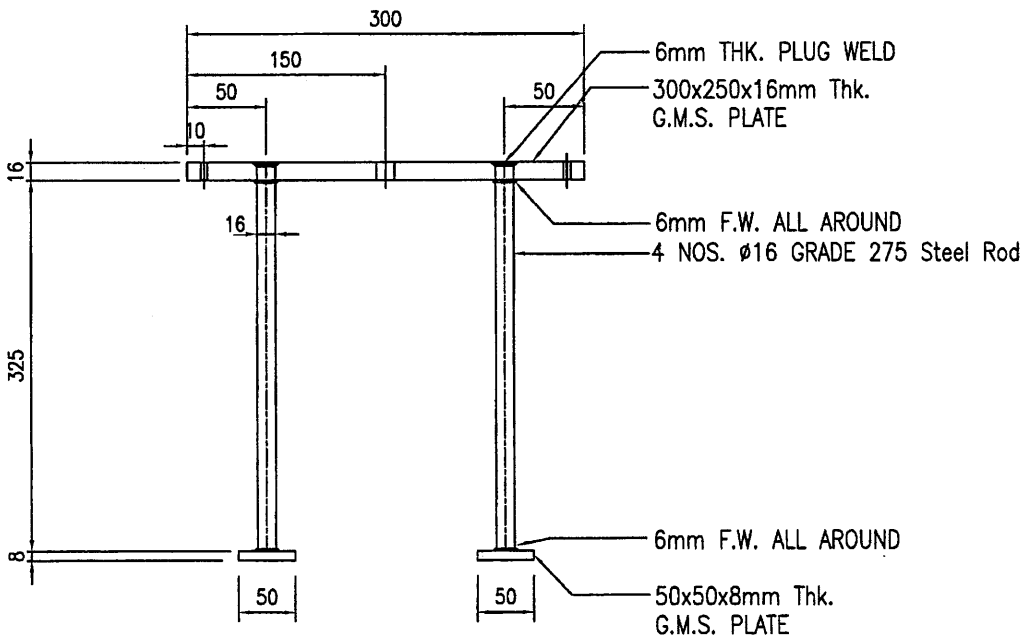
工程號	J-851	地盤	青衣	附 件
名稱	預留碼 EM-PZ	採用		
材料	G.M.S.	地盤		
顏色	熱浸鋅	工廠		

 美特鋁質 有限公司 MIDI Aluminium Fabricator Ltd.	類別	物料號	
	制圖		圖號 J851-EM-PX
修改		復核	數量 116 + 10
日期		批准	位置 PODIUM

單件重量: 9.6 KG

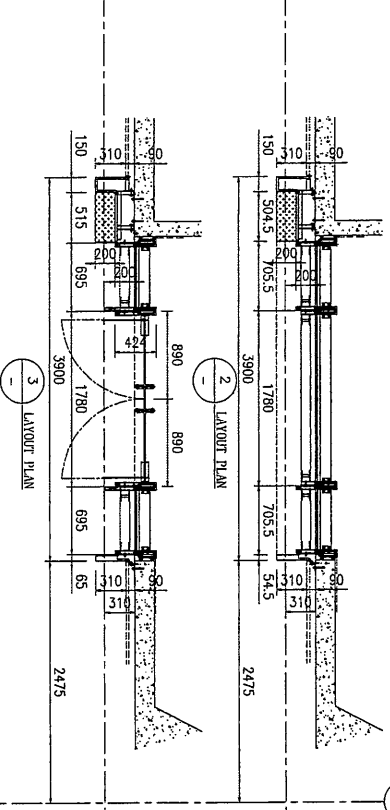
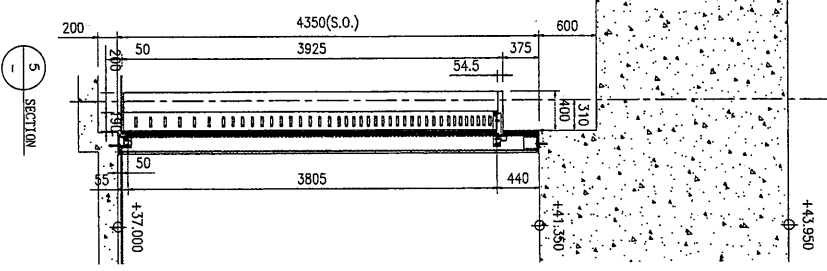
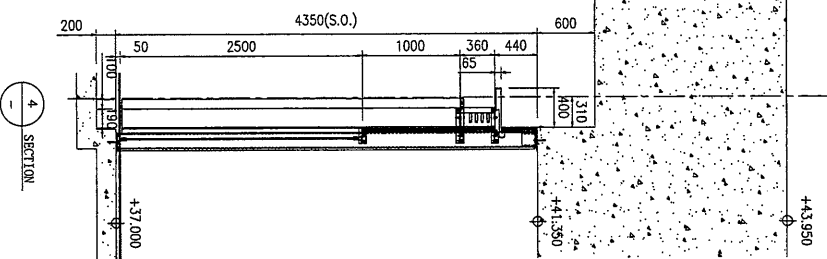
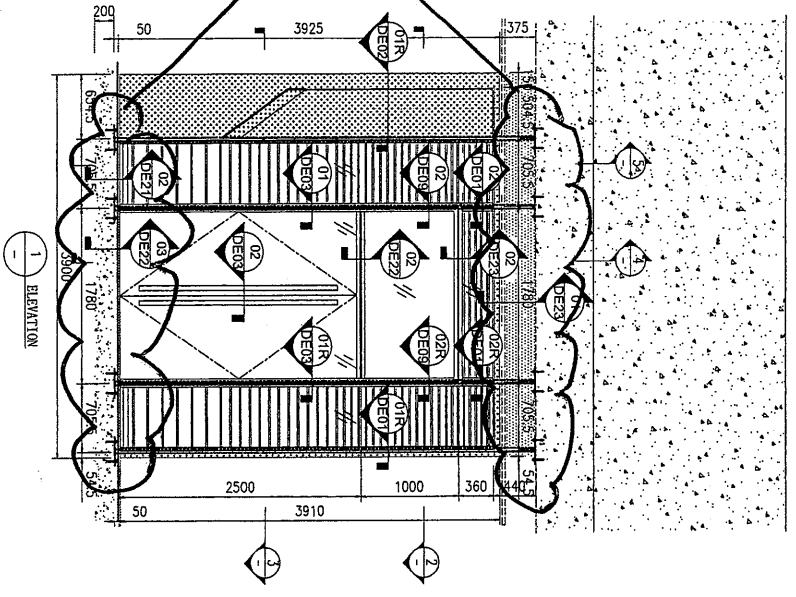


增加數量



工程號	J-851	地盤	青衣	附 件
名稱	預留碼 EM-PX	採用		
材料	G.M.S.	地盤		
顏色	熱浸鋅	工廠		

借用
EM-RX
预埋磁



1

B

B

GLASS WALL MARK	11A
LOCATION	7/A LFT LOBBY @ UPPER GROUND FLOOR
AMOUNT	11A
GLASS	012-12mm THK. BRONZE TINTED TEMPERED GLASS

LEGEND	
	VISION GLASS
	12mm THK. TEMPERED GLASS
	3mm THK. ALUM. CLADDING
	ALUM. GRIDS
	15mm THK. ALUM. FLASHING

JOB NO. :	J-851
DRAWN BY :	LS
DATE :	26-11-2019
SCALE :	AS SHOWN
CHKD BY :	AS
DATE :	15/12/19
PRJ. NO. :	051-MW-P02
REV. :	-

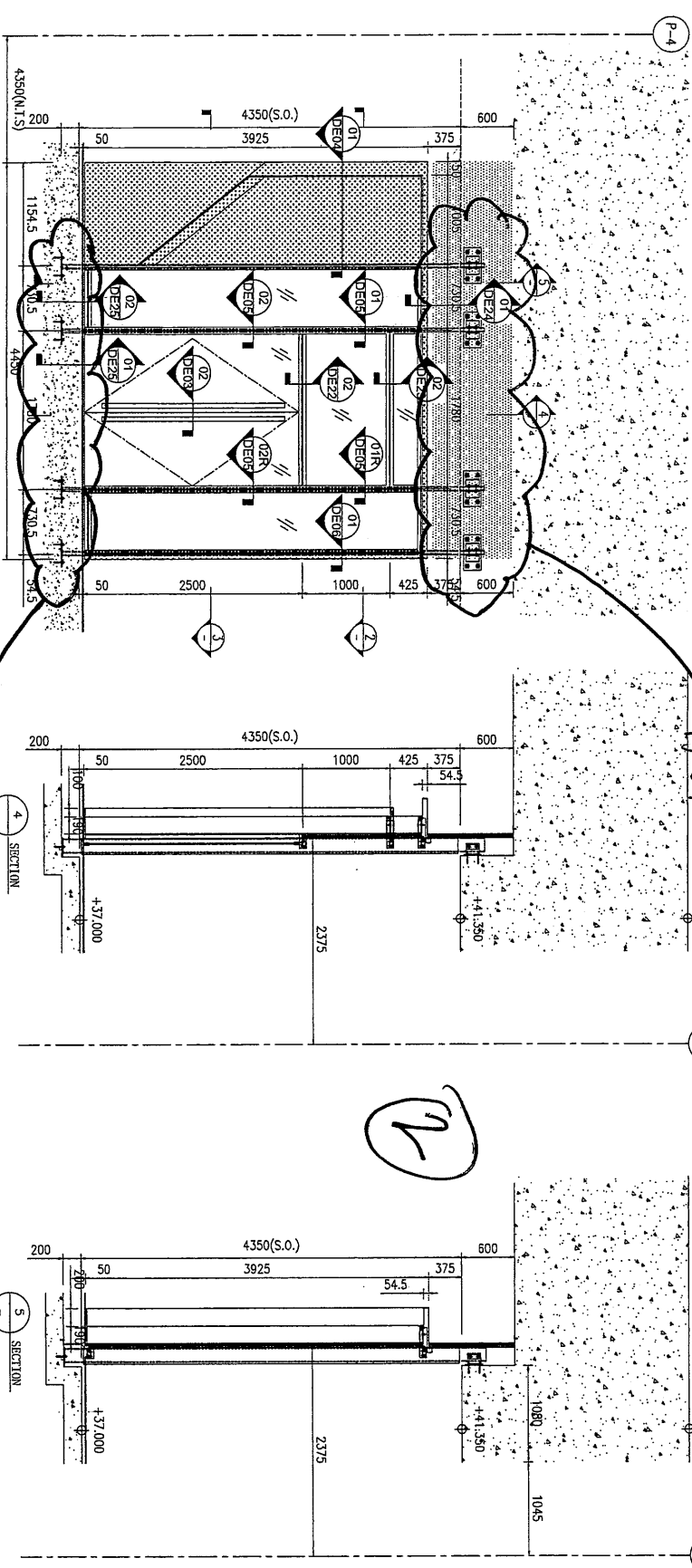
STRUCTURAL ENGINEER :
CMWONG & ASSOCIATES LTD
美特銘實有限公司
MIDI ASSOCIATED PARTNERSHIP LTD.
Unit 6-B, Sunny Industrial Centre, 1/F
810 Chee Chee Road, Singapore
(65) 63561179 Fax: (65) 63717986

ARCHITECT :
WONG TUNG & PARTNERS LIMITED
WTP
CLIENT :
佳明集團控股有限公司
GRAND KING GROUP HOLDINGS LIMITED
MAIN CONTRACTOR :
GRAND TECH CONSTRUCTION CO. LTD.

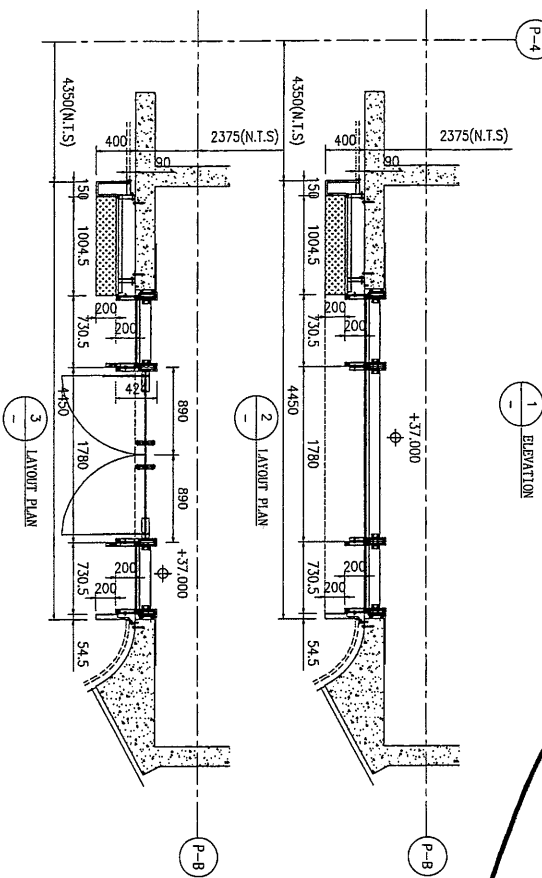
NO.	DATE	REVISION	BY

B.B. REF. :
F.S.O. REF. :
Note :
1. All dimensions are in mm.
2. All windows are to be installed from outside.
3. All dimensions to be verified on site before fabrication.
GENERAL NOTES
Legend :
1. F.F.L. - Finished Floor Level
2. S.F.L. - Structure Floor Level
3. P.F.L. - Proposed Floor Level
X11 - DETAIL MARK NO.
X0017 - REFER SHEET NO.

使用EM-12預埋磚



使用EM-12預埋磚



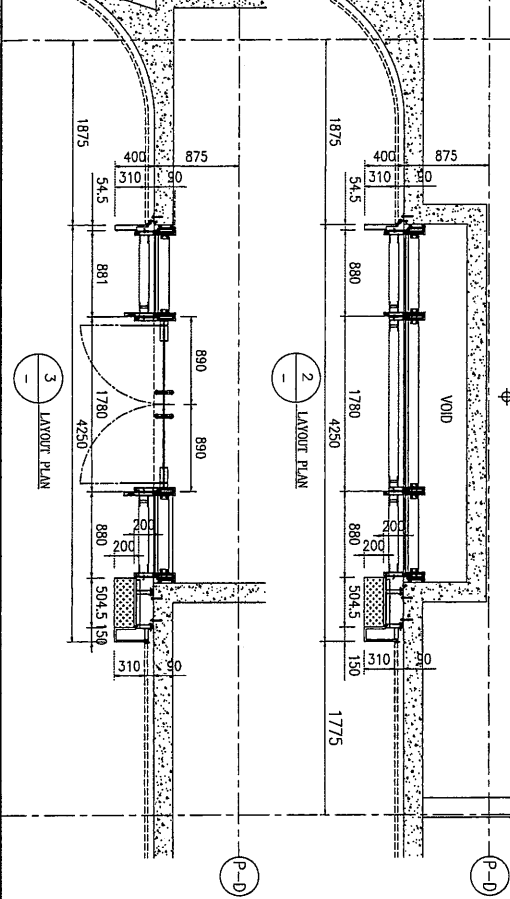
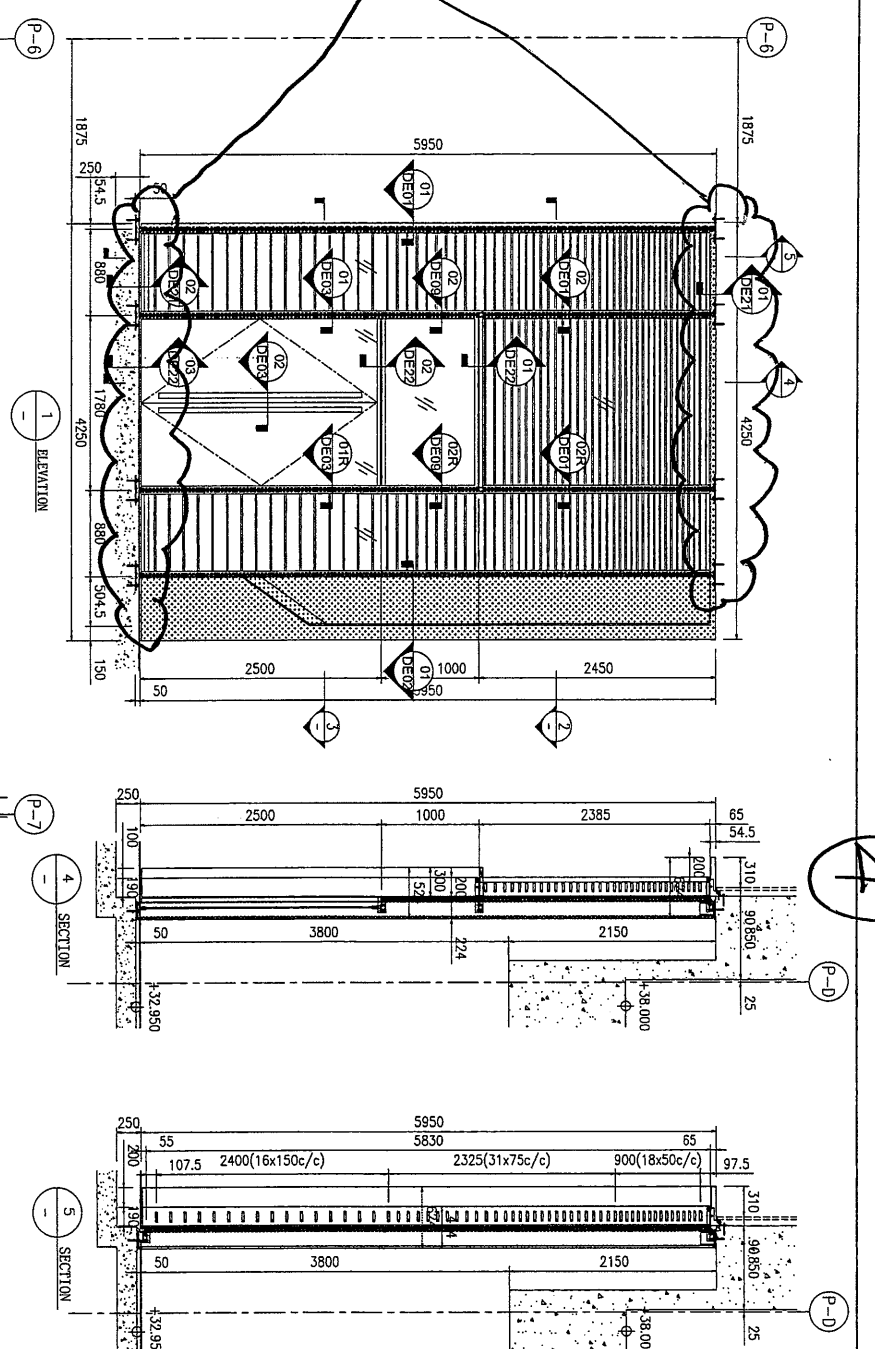
GLASS WALL MARK	SETTING AREA @ UPPER GROUND FLOOR	UC
LOCATION	NOCS	
GLASS	11-12mm THK CLEAR TEMPERED GLASS	

LEGEND	
	3mm THK ALUM CLADDING
	12mm THK TEMPERED GLASS
	15mm THK ALUM FLASHING

JOB NO.:	J-951
DRAWN BY:	LS
DATE:	26-11-2019
CHECK BY:	SCALE: AS SHOWN
CHK. NO.:	J051-WM-P203

B.B. REF.:
 1.50. REF.:
 MARK:
 1. All dimensions are in mm.
 2. All sections are noted from outside.
 3. Where indicated, the section is to be shown in the above indication.
 GENERAL NOTES
 Legend:
 1. F.F.L.— Finished Floor Level
 2. S.F.L.— Structural Floor Level
 3. R.F.L.— Retained Floor Level
 X11— Details with ref. REFER SHEET NO.
 X007— REFER SHEET NO.
 ARCHITECT: **WONG TUNG & PARTNERS LIMITED**
 STRUCTURAL ENGINEER: **W.T.**
 C M WONG & ASSOCIATES LTD
 美特經有限公司
 MID I ASSOCIATION ASSOCIATE LTD.
 Units 5-8, Sunny Industrial Centre, 1/F
 510 Chee Koo Ling Road, Kowloon
 Tel: 2528271-4 Fax: (852) 2727888
 PROJECT: RESIDENTIAL DEVELOPMENT AT TSING YI TOWN, LOT 198 SAI SHAN ROAD
 TITLE: PARTIAL ELEVATION, SECTION & PLAN FOR WINDOW WALL
 CLIENT: 佳明集團控股有限公司
 GRAND MING GROUP HOLDINGS LIMITED
 MAIN CONTRACTOR: GRAND TECH CONSTRUCTION CO. LTD.
 DRAWING NO. DATE REVISION BY

使用
EM-PY
预埋石碼



GLASS WALL MARK	LOCATION	AMOUNT	GLASS
W1	TZA, LFT LOBBY @ LOWER GROUND FLOOR	1	612-12mm THK. BRONZE TINTED TEMPERED GLASS

LEGEND

- VISION GLASS
- 12mm THK. TEMPERED GLASS
- 3mm THK. ALUM. CLADDING
- ALUM. GRILLS

JOB NO.:	J-851
DRAWN BY:	LS
CHECK BY:	AS
SCALE:	A1: 1/50
DATE:	25-11-2019
PROJECT:	RESIDENTIAL DEVELOPMENT AT TSIANG YI TOWNSHIP LOT 199 SIAO SHAN ROAD
CLIENT:	佳明集團控股有限公司 GRAND MING GROUP HOLDINGS LIMITED
ARCHITECT:	WONG TUNG & PARTNERS LIMITED
STRUCTURAL ENGINEER:	C M WONG & ASSOCIATES LTD
CONTRACTOR:	GRAND TECH CONSTRUCTION CO. LTD.

PROJECT: RESIDENTIAL DEVELOPMENT AT TSIANG YI TOWNSHIP LOT 199 SIAO SHAN ROAD

CLIENT: 佳明集團控股有限公司
GRAND MING GROUP HOLDINGS LIMITED

ARCHITECT: WONG TUNG & PARTNERS LIMITED

STRUCTURAL ENGINEER: C M WONG & ASSOCIATES LTD

CONTRACTOR: GRAND TECH CONSTRUCTION CO. LTD.

WONG TUNG & PARTNERS LIMITED
ARCHITECTS & ENGINEERS

C M WONG & ASSOCIATES LTD
STRUCTURAL ENGINEERS

佳明集團控股有限公司
GRAND MING GROUP HOLDINGS LIMITED

GRAND TECH CONSTRUCTION CO. LTD.

RESIDENTIAL DEVELOPMENT AT TSIANG YI TOWNSHIP LOT 199 SIAO SHAN ROAD

CLIENT: 佳明集團控股有限公司
GRAND MING GROUP HOLDINGS LIMITED

ARCHITECT: WONG TUNG & PARTNERS LIMITED

STRUCTURAL ENGINEER: C M WONG & ASSOCIATES LTD

CONTRACTOR: GRAND TECH CONSTRUCTION CO. LTD.

RESIDENTIAL DEVELOPMENT AT TSIANG YI TOWNSHIP LOT 199 SIAO SHAN ROAD

CLIENT: 佳明集團控股有限公司
GRAND MING GROUP HOLDINGS LIMITED

ARCHITECT: WONG TUNG & PARTNERS LIMITED

STRUCTURAL ENGINEER: C M WONG & ASSOCIATES LTD

CONTRACTOR: GRAND TECH CONSTRUCTION CO. LTD.

RESIDENTIAL DEVELOPMENT AT TSIANG YI TOWNSHIP LOT 199 SIAO SHAN ROAD

CLIENT: 佳明集團控股有限公司
GRAND MING GROUP HOLDINGS LIMITED

ARCHITECT: WONG TUNG & PARTNERS LIMITED

STRUCTURAL ENGINEER: C M WONG & ASSOCIATES LTD

CONTRACTOR: GRAND TECH CONSTRUCTION CO. LTD.

RESIDENTIAL DEVELOPMENT AT TSIANG YI TOWNSHIP LOT 199 SIAO SHAN ROAD

CLIENT: 佳明集團控股有限公司
GRAND MING GROUP HOLDINGS LIMITED

ARCHITECT: WONG TUNG & PARTNERS LIMITED

STRUCTURAL ENGINEER: C M WONG & ASSOCIATES LTD

CONTRACTOR: GRAND TECH CONSTRUCTION CO. LTD.

RESIDENTIAL DEVELOPMENT AT TSIANG YI TOWNSHIP LOT 199 SIAO SHAN ROAD

CLIENT: 佳明集團控股有限公司
GRAND MING GROUP HOLDINGS LIMITED

ARCHITECT: WONG TUNG & PARTNERS LIMITED

STRUCTURAL ENGINEER: C M WONG & ASSOCIATES LTD

CONTRACTOR: GRAND TECH CONSTRUCTION CO. LTD.

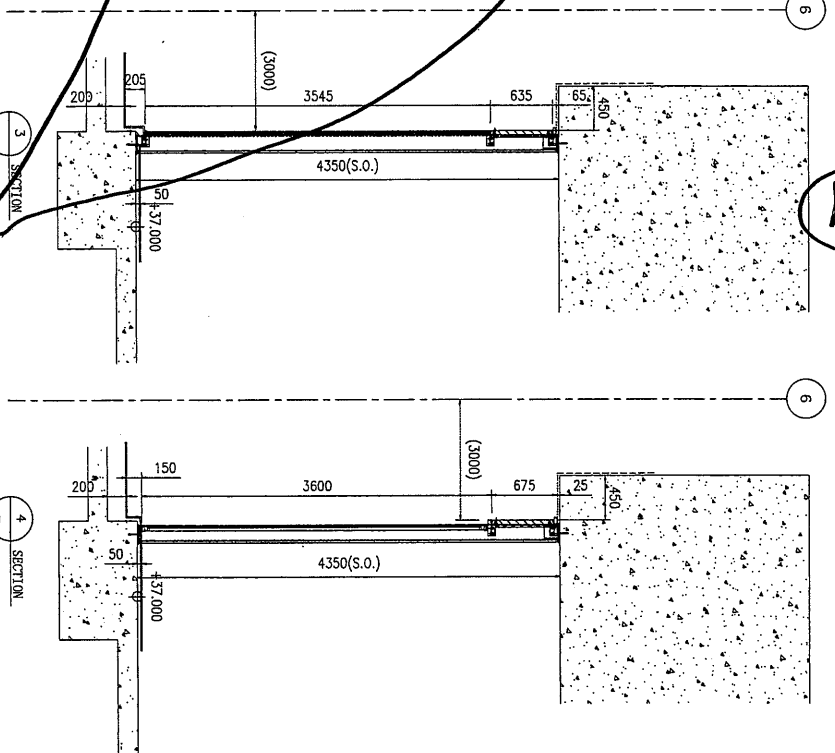
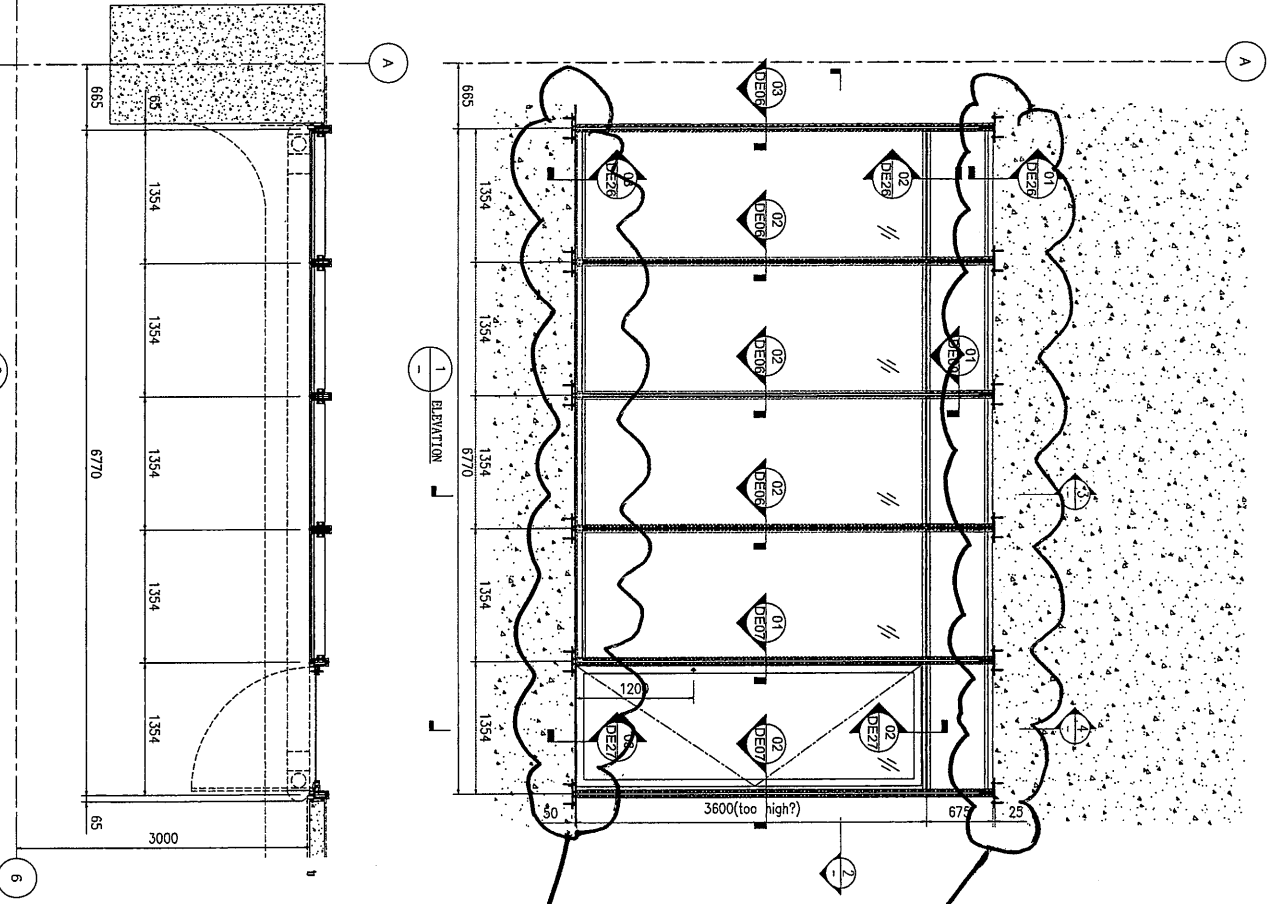
RESIDENTIAL DEVELOPMENT AT TSIANG YI TOWNSHIP LOT 199 SIAO SHAN ROAD

CLIENT: 佳明集團控股有限公司
GRAND MING GROUP HOLDINGS LIMITED

ARCHITECT: WONG TUNG & PARTNERS LIMITED

STRUCTURAL ENGINEER: C M WONG & ASSOCIATES LTD

CONTRACTOR: GRAND TECH CONSTRUCTION CO. LTD.



使用EM-PX
预埋件

CLASS WALL MARK	1/4
LOCATION	1/2
AMOUNT	1/2
CLASS	1/2
SETTING AREA @ UPPER GROUND FLOOR	1/2
WINDS	1/2
CH-15mm THK. CLEAR TEMPERED GLASS	1/2

LEGEND	
VISION GLASS	12mm THK. TEMPERED GLASS
3mm THK. ALUM. CLADDING	
15mm THK. ALUM. FLASHING	

<p>ARCHITECT : WONG TUNG & PARTNERS LIMITED ARCHITECTS & ENGINEERS</p> <p>STRUCTURAL ENGINEER : EN C M WONG & ASSOCIATES LTD</p> <p>CLIENT : 佳明集團控股有限公司 GRAND MIND GROUP HOLDINGS LIMITED</p> <p>MAIN CONTRACTOR : GRAND TECH CONSTRUCTION CO. LTD.</p> <p>PROJECT : RESIDENTIAL DEVELOPMENT AT TSMO TOWN LOT 19/9/54/SHANWINDO</p>	<p>PROJECT : MIDI 美特堅有限公司 MIDI (Mandarin) 美特堅有限公司 610 Gila Jooi Ling Road, Tsimsoi 182389211-4 Fax: (852) 27270688</p>	<p>DATE : 26-11-2019</p> <p>SCALE : A3: 1/50</p> <p>CHK. NO. : JB51-MK-PR04</p>	<p>DATE : 26-11-2019</p> <p>SCALE : A3: 1/50</p> <p>CHK. NO. : JB51-MK-PR04</p>	<p>DATE : 26-11-2019</p> <p>SCALE : A3: 1/50</p> <p>CHK. NO. : JB51-MK-PR04</p>
---	---	--	--	--

GENERAL NOTES

1. FFL - Finished Floor Level
2. SFL - Standard Floor Level
3. ② - Formed level

Legend

1. FFL - Finished Floor Level

2. SFL - Standard Floor Level

3. ② - Formed level

GENERAL NOTES

1. All dimensions are in mm.
2. All dimensions are checked from outside.
3. All dimensions are to be verified on site before construction.

Legend

1. FFL - Finished Floor Level

2. SFL - Standard Floor Level

3. ② - Formed level

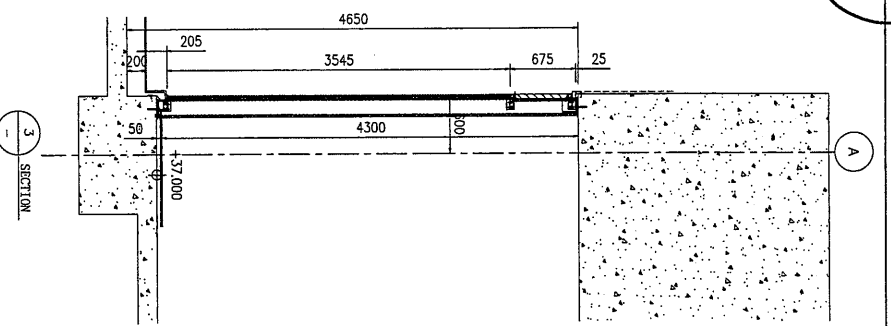
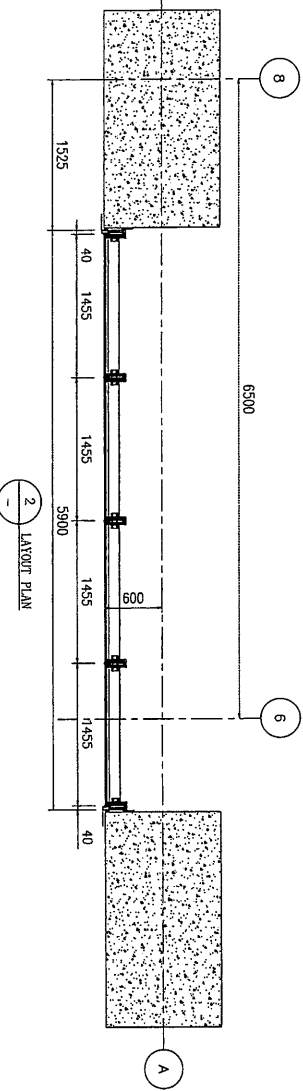
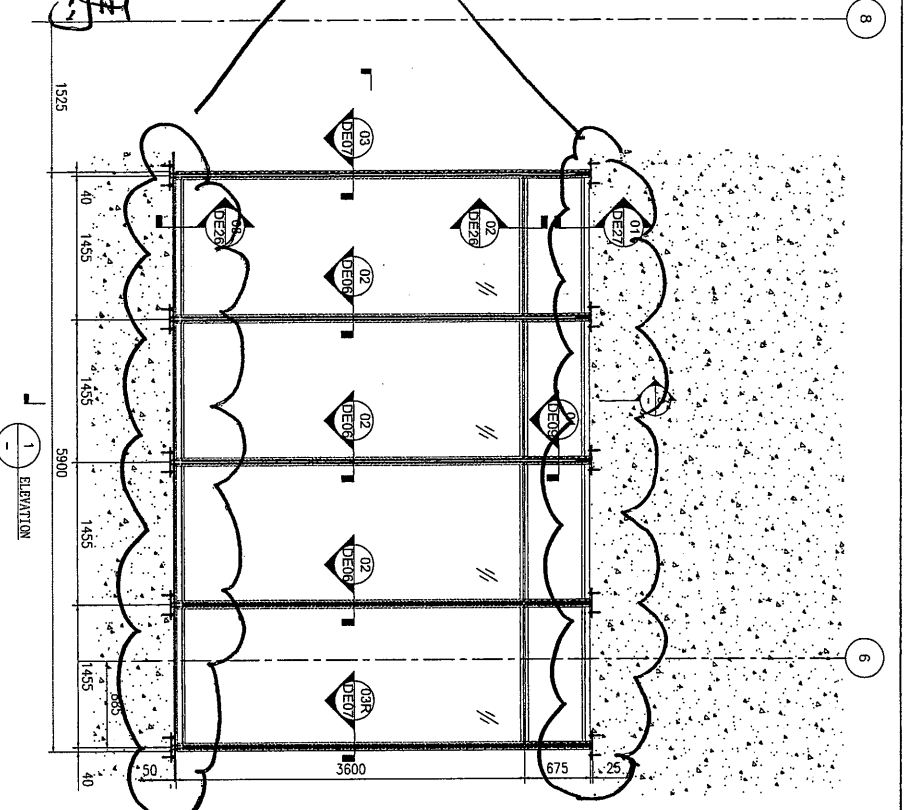
Legend

1. FFL - Finished Floor Level

2. SFL - Standard Floor Level

3. ② - Formed level

使用
EM-PX
预埋石



6

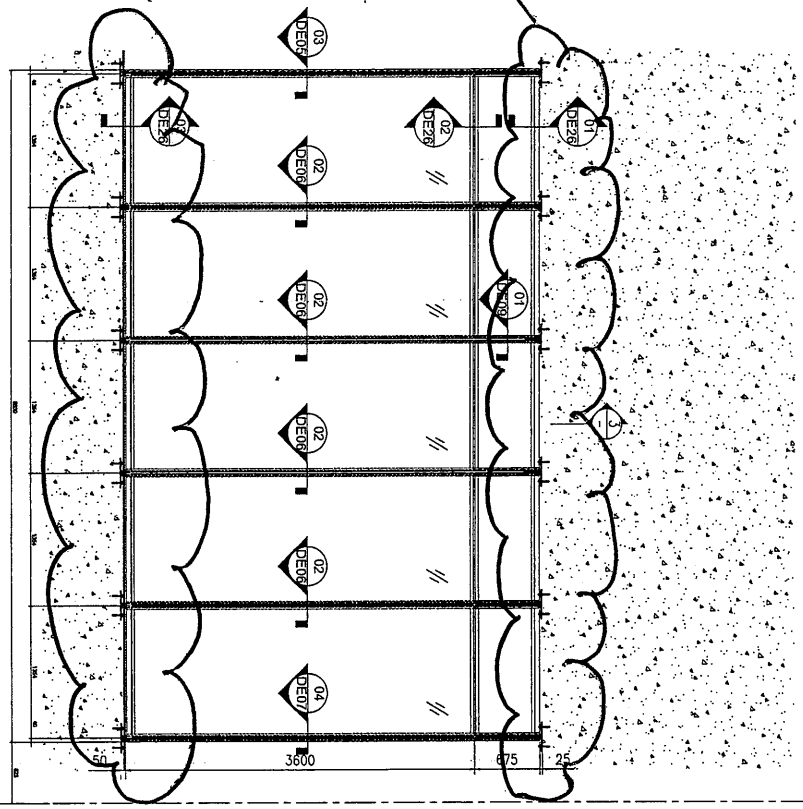
GLASS WALL MARK	
LOCATION	SETTING AREA @ UPPER GROUND FLOOR
MOUNT	MOS
GLASS	01-12mm THK. CLEAR TEMPERED GLASS

LEGEND

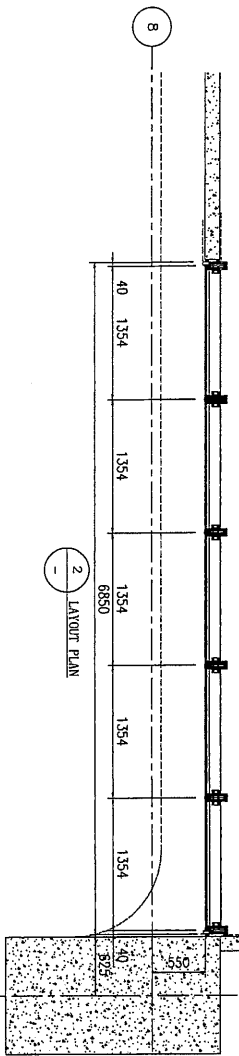
	15mm THK. ALUM. FLASHING
	3mm THK. ALUM. CLADDING
	12mm THK. TEMPERED GLASS
	15mm THK. ALUM. FLASHING

B.O. REF :	
F.S.D. REF :	
Note:	1. All dimensions are in mm. 2. All elevations are viewed from outside. 3. All dimensions to be verified on site before fabrication.
Legend:	1. F.L. --- Finished floor level 2. S.F.L. --- Structural floor level 3. (7) --- Reserved detail
(X1) X001	DETAIL MARK NO. REFER SHEET NO.
ARCHITECT :	YONG THING & PARTNERS LIMITED
STRUCTURAL ENGINEER :	C M WONG & ASSOCIATES LTD
PROJECT :	美特鋁質有限公司 MIDI Aluminium Industries Ltd. Units 6-8, Seng Guan Industrial Centre, 1/F P.O. Box 88411, Singapore 62777866 Tel: 65 62777866
TITLE :	RESIDENTIAL DEVELOPMENT AT TSING YI TOWN LOT 190 SAI SHAN ROAD
DATE :	26-11-2019
SCALE :	A4 1:50
JOB NO. :	J-351
DRWN BY :	LS
CHEK BY :	AS
CHK. NO. :	0851-WM-P005

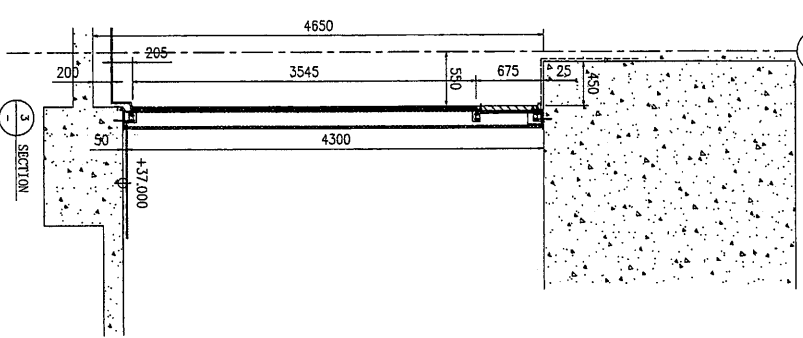
樓用
EM-PX
預埋石碼



1 ELEVATION



2 LAYOUT PLAN



3 SECTION

7

GLASS WALL MARK	SETTING AREA @ UPPER GROUND FLOOR
AWNING	INOS.
CLASS	01-12mm THK. CLEAR TEMPERED GLASS

LEGEND

- VISION GLASS
- 12mm THK. TEMPERED GLASS
- 3mm THK. ALUM. CLADDING
- 15mm THK. ALUM. FLASHING

B.D. REF :
F.S.L. REF :
Note :
1. All dimensions are in mm.
2. All dimensions are based from outside.
3. All dimensions are to be verified on site before fabrication.
GENERAL NOTES

- Legend :
1. FFL - Finished Floor Level
 2. SFL - Structural Floor Level
 3. RL - Reduced Level
- X11 - RECALL MARK NO.
X001 - REFER SHEET NO.

NO.	DATE	REVISED	BY

CLIENT : 佳明集團控股有限公司
GRAND TECH CONSTRUCTION CO. LTD.
MAIN CONTRACTOR : GRAND TECH GROUP HOLDINGS LIMITED

ARCHITECT : WONG TUNG & PARTNERS LIMITED
STRUCTURAL ENGINEER : C M WONG & ASSOCIATES LTD

美特控股有限公司
MIDI ARCHITECTURE ASSOCIATION LTD.
610 She Shee Ling Road, Kwai Tsing, Kowloon
1823488211-4 Fax: 8522727888

PROJECT : RESIDENTIAL DEVELOPMENT AT TSN011 TSNV LOT 159 SHAN SHAN ROAD

JOB NO. : J-651
DRAWN BY : LS DATE : 26-11-2019
CHECK BY : SCALE : A3 : 1:50
DWG. NO. : J051-EM-PX-008 REV. : -