



工程指示編號：EI/1555/20

修改版次：E

工程編號：J851

工程名稱：青衣 明翹匯

工程項目：鋁料加工圖 (預制窗)

收件人：生統

發件人：Leung Hin Wai

日期：17/3-2020

要求提供 /  確認 事項：

- |                                    |                                     |                               |
|------------------------------------|-------------------------------------|-------------------------------|
| <input type="checkbox"/> 初步鋁料 B.M. | <input type="checkbox"/> 加工拆圖，然後生產  | <input type="checkbox"/> 尺寸表  |
| <input type="checkbox"/> 正式鋁料 B.M. | <input type="checkbox"/> 技術上資料 / 指示 | <input type="checkbox"/> 報價   |
| <input type="checkbox"/> 配件 B.M.   | <input type="checkbox"/> 樣辦或貨品說明書   | <input type="checkbox"/> 分判合約 |
| <input type="checkbox"/> 其他：_____  |                                     |                               |

內容：

請按附頁加工，送預制場。

1. T1/L26 增加數量

2. 如窗號內有獨立百葉，請在此百葉的窗號尾加"#1"，例 T2-W38的百葉標示為 T2-W38#1

這是為了交貨時作識認

3. 梗夾企改元頭螺絲和位置

4. 加窗沾位置

5. 生窗補充玻璃綫尺寸

6. 加水綫孔位置

請在 30/3 前完成上列要求。

附： -

以上項目為：

原合約工程包

原合約工程加 / 減賬

新工程報價

原因：-

分發東莞各部門：

- |  |   |   |  |
|--|---|---|--|
| <input type="checkbox"/> 生產技術總監 <input type="checkbox"/> 連附件 | <input type="checkbox"/> 技術部 <input type="checkbox"/> 連附件   | <input type="checkbox"/> 生產部 <input type="checkbox"/> 連附件 | <input type="checkbox"/> 機械設計部 <input type="checkbox"/> 連附件    |
| <input type="checkbox"/> 採購部 <input type="checkbox"/> 連附件    | <input type="checkbox"/> 生產統籌部 <input type="checkbox"/> 連附件 |   |  |
| <input type="checkbox"/> 質檢部 <input type="checkbox"/> 連附件    | <input type="checkbox"/> 會計部 <input type="checkbox"/> 連附件   | <input type="checkbox"/> 報關組 <input type="checkbox"/> 連附件 | <input type="checkbox"/> 其他 _____ <input type="checkbox"/> 連附件 |

分發香港各部門：

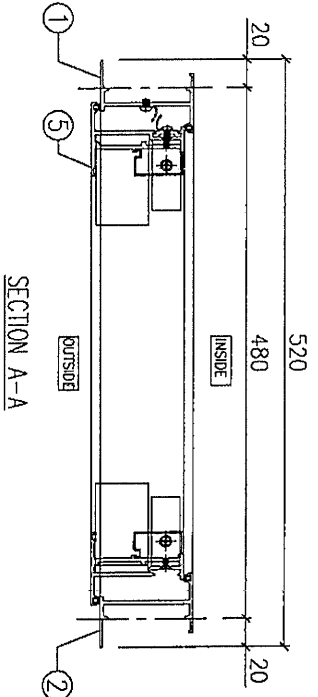
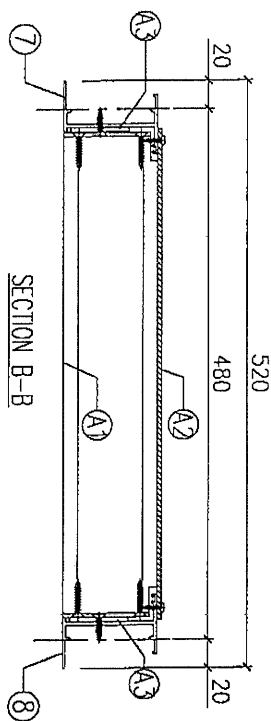
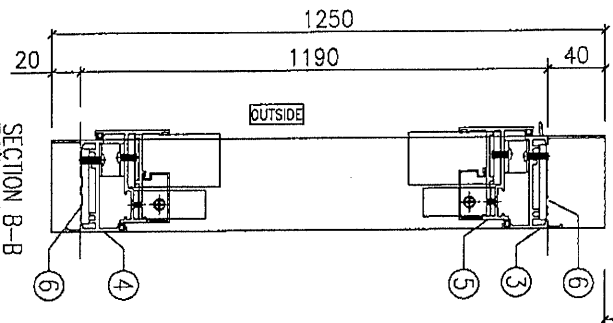
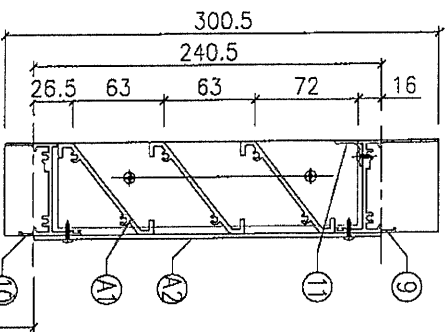
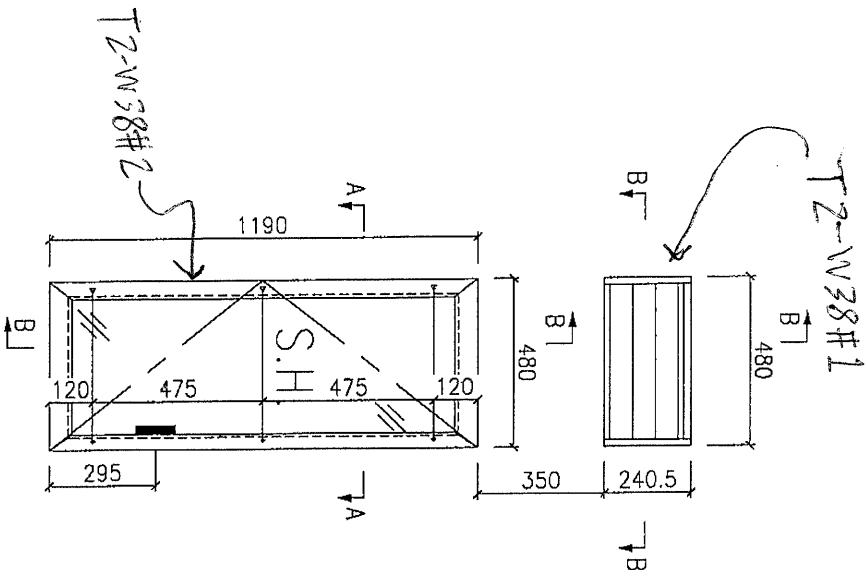
- |   |  |   |   |
|---|--|---|---|
| <input type="checkbox"/> 行政部 <input type="checkbox"/> 連附件 | <input type="checkbox"/> 會計部 <input type="checkbox"/> 連附件  | <input type="checkbox"/> 統籌部 <input type="checkbox"/> 連附件 | <input type="checkbox"/> 工程部地盤科(文) <input type="checkbox"/> 連附件 |
| <input type="checkbox"/> 採購部 <input type="checkbox"/> 連附件 | <input type="checkbox"/> QS 部 <input type="checkbox"/> 連附件 | <input type="checkbox"/> 維修部 <input type="checkbox"/> 連附件 | <input type="checkbox"/> 其他 _____ <input type="checkbox"/> 連附件  |

傳遞編號：

HR0360

發件人簽署：

項目經理簽署：



序号	加工图编号	材料名称	只/幅	说明
A3	J851-LM09	铝垫块(10x40x3)	4	送佛
A2	LV-P01-08	百叶盖板401x240	1	沙场
A1	LV-S02-06	百叶压板1x207.5	1	

序号	加工图编号	材料名称	长度	支/幅
6	J851-LM06	不锈钢丝绳	25	6
5	J851-SH11L	窗玉小组架460x1170		1
4	X85687-04LD	生底绳	454	1
3	X85685-02LD	生顶绳	466	1
2	X85679-03RA	生边绳	1250	1
1	X85679-02LB	生边绳	1250	1

Remarks: 门窗组装图

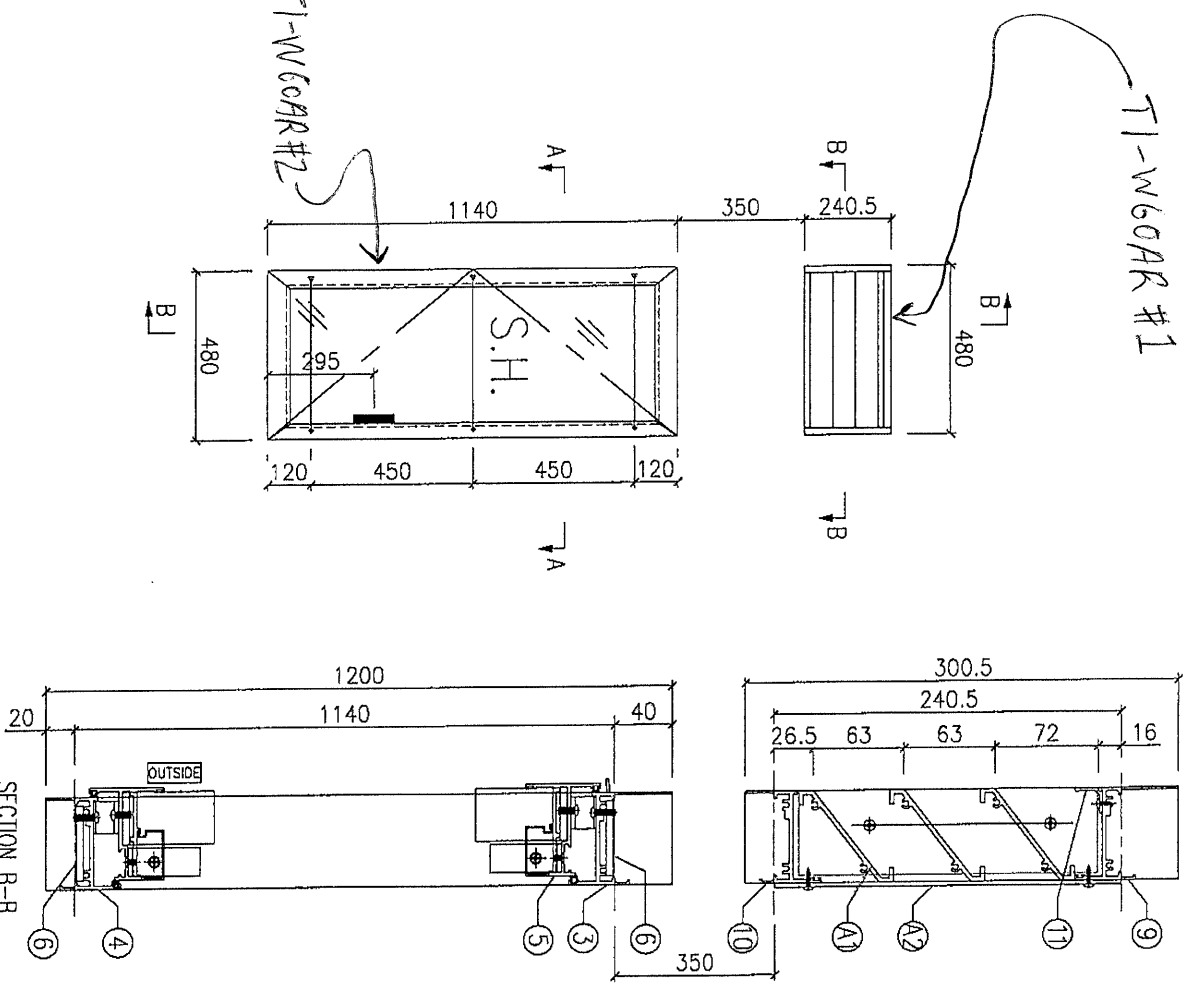
Checked: KEN  
 Date: 25-02-2020  
 Project No. J851  
 Material: 1  
 Tolerance: ±0.5  
 Projection: 1  
 Delivery to Rev. Date

Project Name: 青衣190  
 Shop Drawing No. PRE-CAST ALUM. WINDOW & LOUVRE  
 Date: 25-02-2020  
 Drawn: W.E.X  
 Finish: UCT534193SC-3  
 Project No. J851  
 Rev. -

Job No: T:\Jobs\1-851\1-851-铝料、配件、玻璃、加工图\1-1-预制窗\铝料加工图\20200302\1851-预制窗组装图.dwg  
 Assembly No. T2-W38  
 Rev. -  
 MIDJ Aluminium Fabricator Ltd.

T1-W60AR #1

T1-W60AR #2



序号	加工图编号	材料名称	只/幅	说明
A3	J851-LM09	铝垫块(10x40x3)	4	送场
A2	LV-P01-08	百叶弹簧(51x240)	1	沙场
A1	LV-S02-06	百叶玉扣(1207.5)	1	

序号	加工图编号	材料名称	长度	支/幅
6	J851-LM06	不锈钢丝绳	25	6
5	J851-SH12L	窗玉小扣(460x120)		1
4	X85687-04LD	生底绳	454	1
3	X85686-02LD	生顶绳	466	1
2	X85679-03RB	生边企	1200	1
1	X85679-02LD	生边企	1200	1

门窗组装图

Remarks: \_\_\_\_\_

Checked: KEN Date: 25-02-2020

Project Name: 青衣190 Project No: J851

Shop Drawing No: PRE-CAST ALUM. WINDOW & LOUVRE Rev: -

Drawn: W.E.X Date: 25-02-2020

Material: 铝合金 Description: 门窗组装图

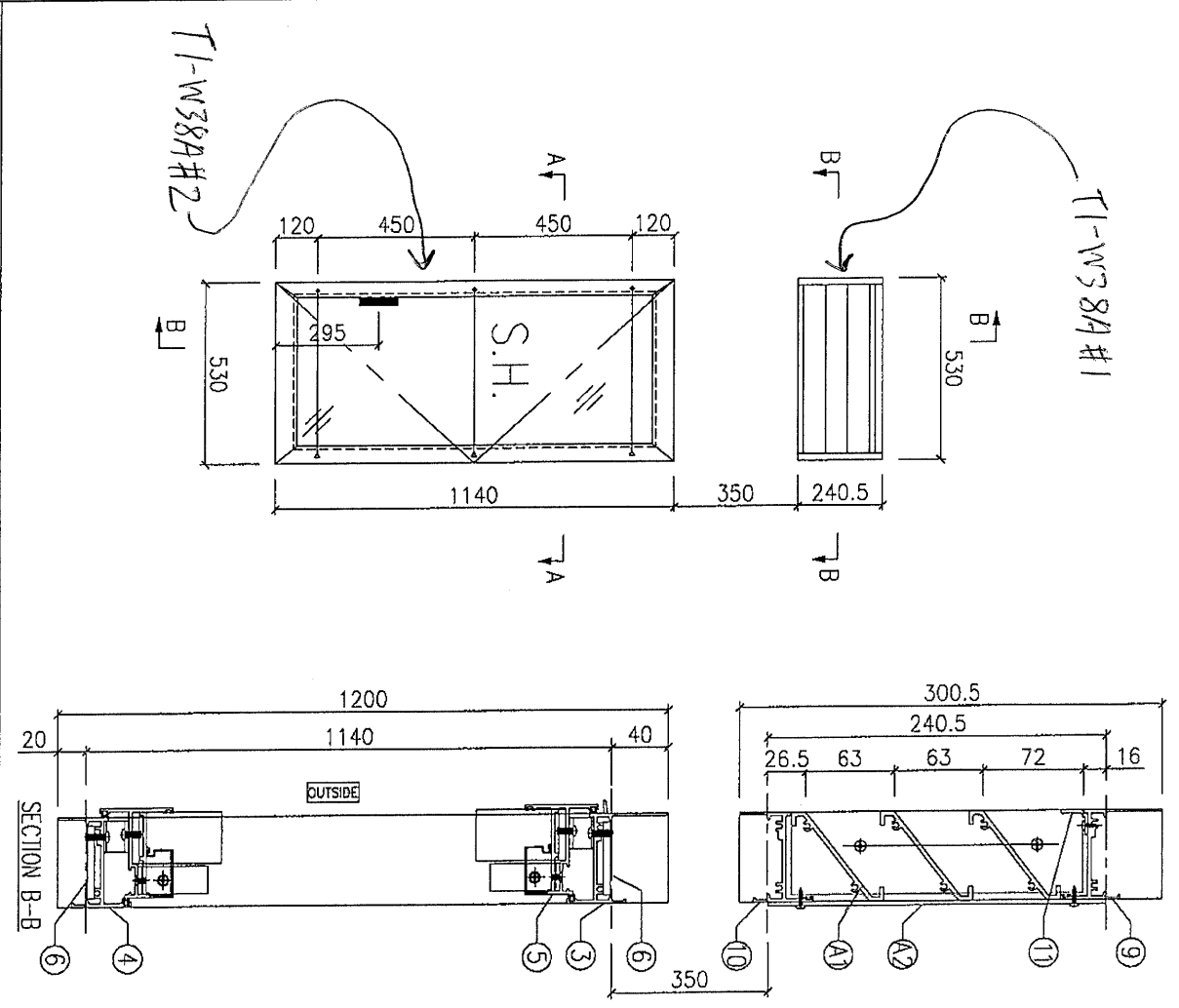
Finish: UC1534193SC-3

Projection: Site:

Assembly No: T1-W60AR

Delivery to Rev. Date: \_\_\_\_\_

Amendments:



序号	加工图编号	材料名称	只/幅	说明
A3	J851-LM09	铝垫块(10x10x3)	4	送佛
A2	LV-P01-09	百叶盖板50Lx240	1	沙场
A1	LV-S02-07	百叶五金497x207.5	1	

序号	加工图编号	材料名称	长度	支/幅
11	X84489-01G	百叶滴水线	490	1
10	X85887-06G	百叶底块	504	1
9	X85697-01G	百叶顶块	504	1
8	X85679-09R	生边企	300.5	1
7	X85679-09L	生边企	300.5	1
6	J851-LM06	不锈钢丝母巴	25	6
5	J851-SH19R	碧玉小铝条10x120	504	1
4	X85887-04RE	生边块	504	1
3	X85885-02RE	生顶块	516	1
2	X85679-03LB	生边企	1200	1
1	X85679-02RD	生边企	1200	1

Remarks:

Project Name: 青衣190

Project No: J851

Project Date: 25-02-2020

Drawn: W.E.X

Checked: KEN

Date: 25-02-2020

Material: UCT5341935C-3

Description: 门窗组装修图

Finish:

Projection: 1:1

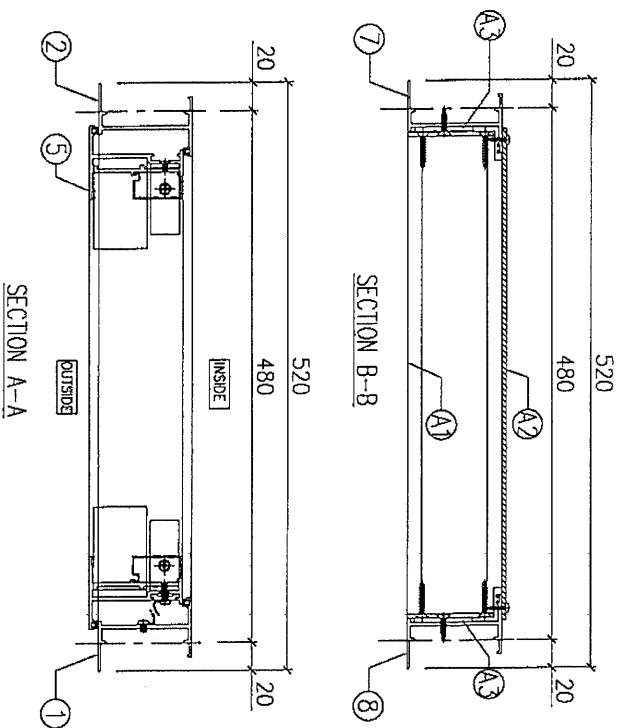
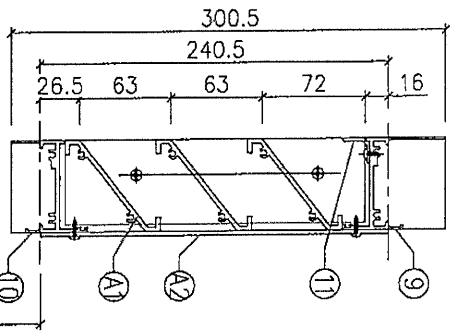
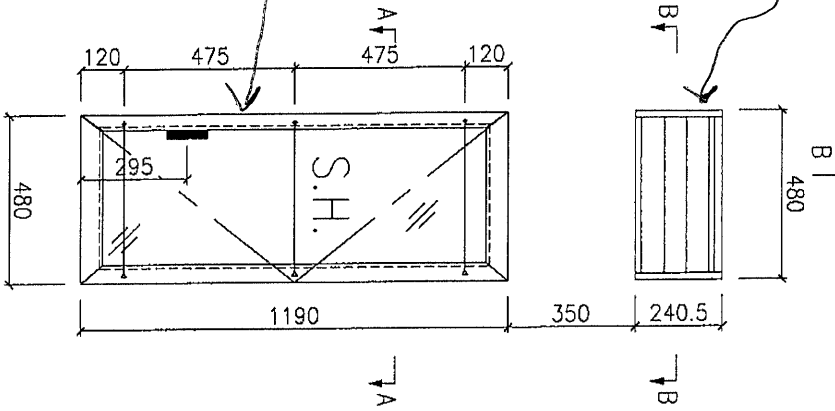
Tolerance: ±0.5

Delivery to: Rev. Date

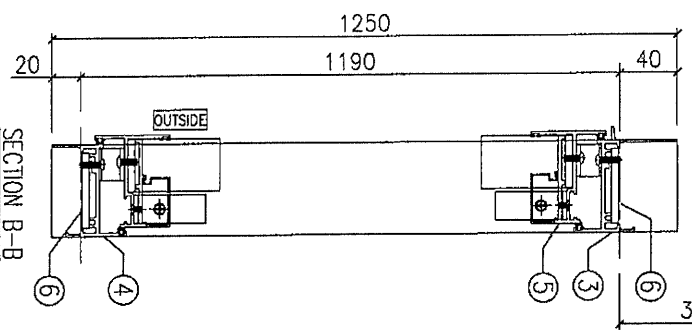
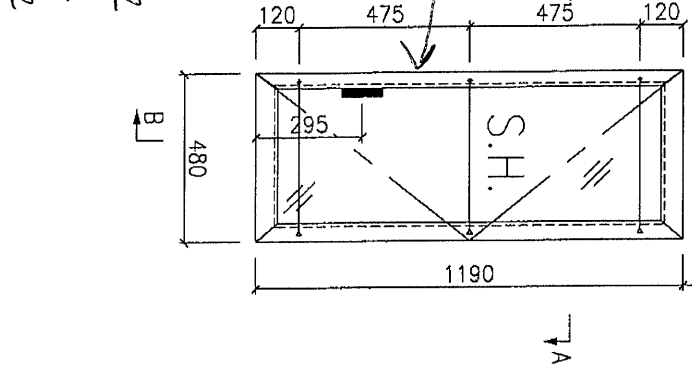
Assembly No: T1-W38A

Rev.:

T1-W64 #1  
T1-W66 #1  
T2-W64 #1



T1-W64 #2  
T1-W66 #2  
T2-W64 #2



序号	加工图编号	材料名称	只/桶	说明
A3	J851-LM09	铝型材(40x40x3)	4	送册
A2	LV-P01-08	百叶背板451x240	1	沙场
A1	LV-S02-06	百叶至447x207.5	1	

序号	加工图编号	材料名称	长度	支/桶
6	J851-LM06	不锈钢丝母巴	25	6
5	J851-SH11R	窗玉小组装460x1170		1
4	X85687-04RD	生底横	454	1
3	X85685-02RC	生顶横	466	1
2	X85679-031A	生边企	1250	1
1	X85679-02RB	生边企	1250	1

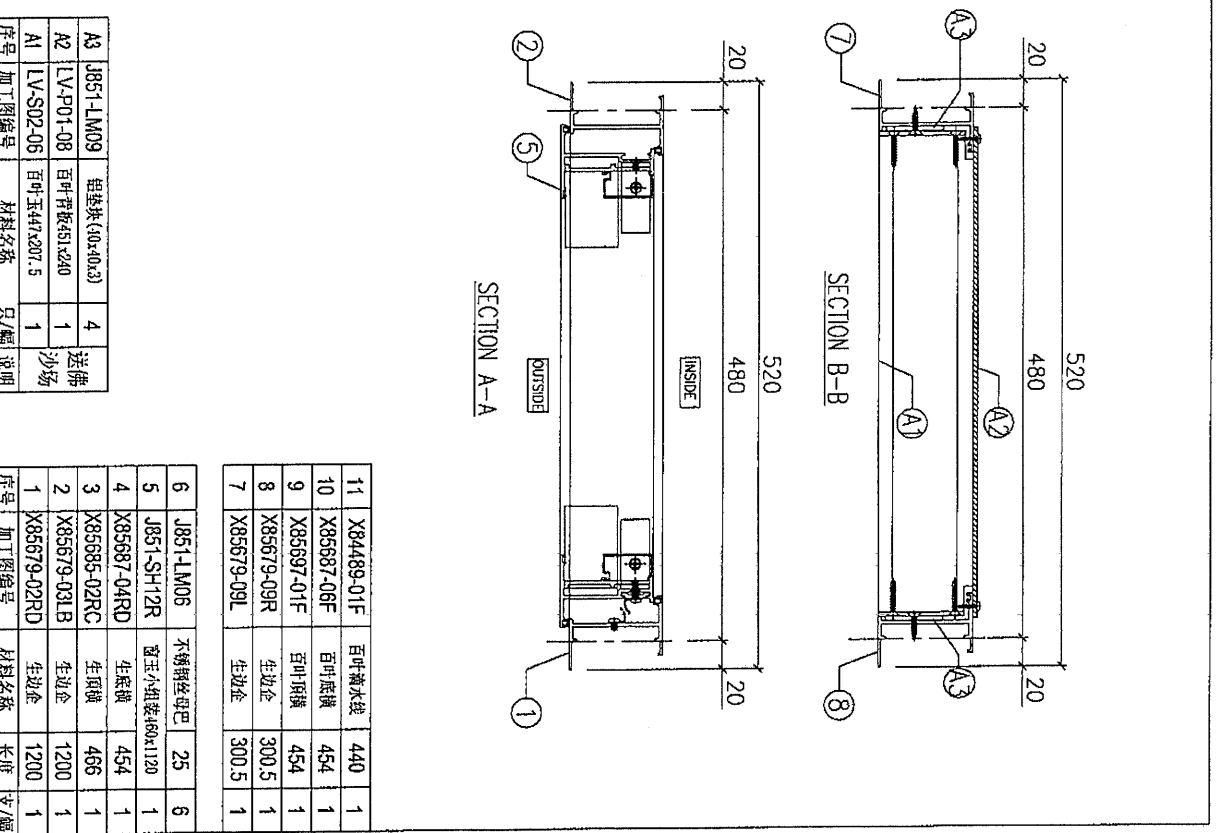
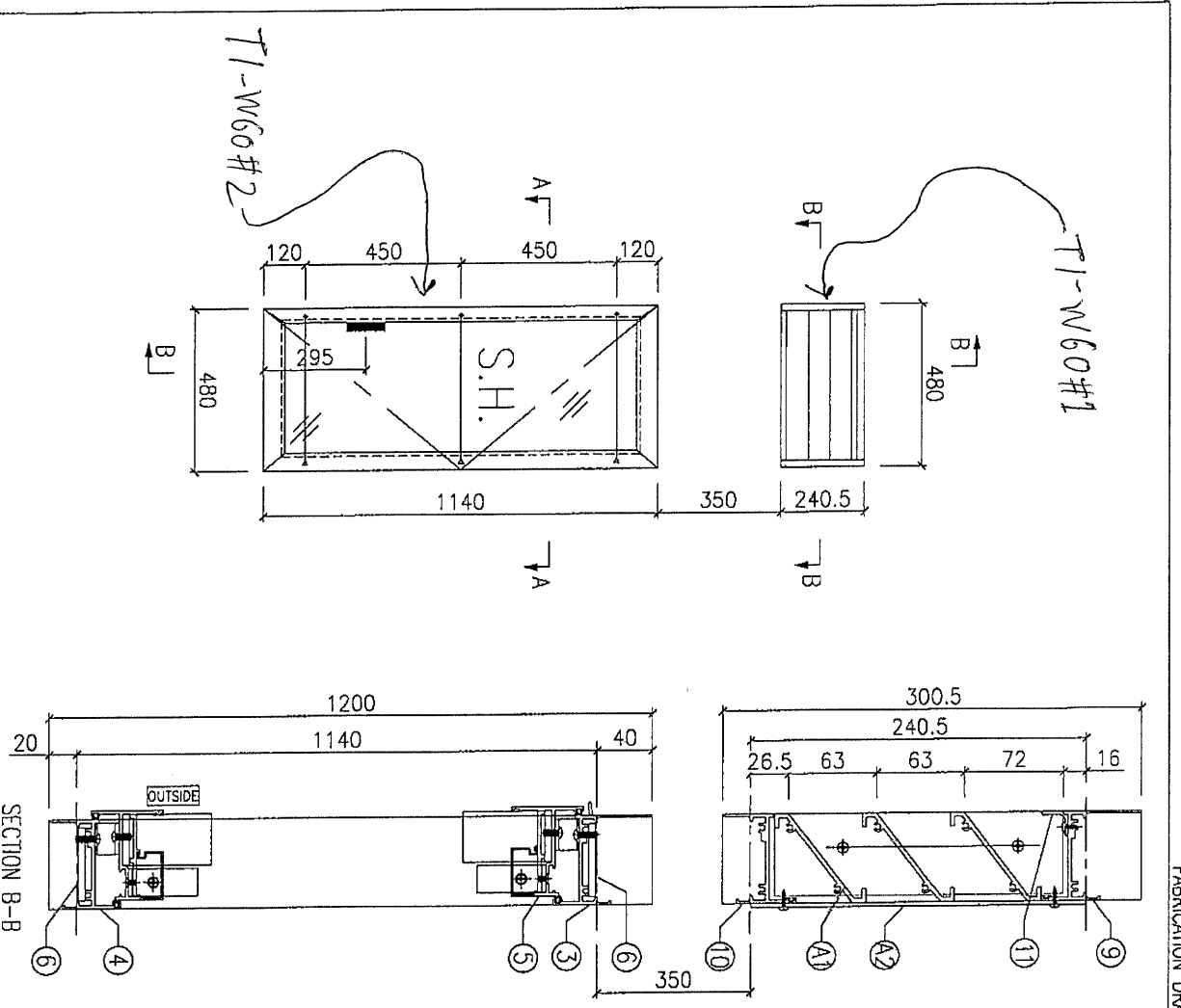
Remarks: 门窗组装图

Checked: KEN  
Date: 25-02-2020  
Material: 1+1+2  
Tolerance: ±0.5  
Projection: 1st angle  
Site: [Symbol]

Project Name: 青衣190  
Project No: J851  
Drawn: W.E.X  
Date: 25-02-2020  
Finish: UCT5341935C-3

Shop Drawing No: PRE-CAST ALUM. WINDOW & LOUVRE  
Rev: -  
Date: 25-02-2020  
Fabricator: MDI Aluminium Fabricator Ltd.

T:\Jobs\J-851\1. 铝料、配件、玻璃、加工图\铝料加工图\铝料加工图\铝料加工图\铝料加工图\铝料加工图.dwg



序号	加工图编号	材料名称	只/幅	说明
A3	J851-LM09	铝垫块(10x10x3)	4	送佛
A2	LV-P01-08	百叶顶板451x240	1	沙场
A1	LV-S02-06	百叶玉447x207.5	1	

6	J851-LM06	不锈钢丝罗巴	25	6
5	J851-SH12R	窗框小组架460x120	1	1
4	X85687-04RD	生顶横	454	1
3	X85685-02RC	生顶横	466	1
2	X85679-031B	生边企	1200	1
1	X85679-02RD	生边企	1200	1
7	X85679-09L	生边企	300.5	1
8	X85679-09R	生边企	300.5	1
9	X85697-01F	百叶顶横	454	1
10	X85687-06F	百叶底横	454	1
11	X84489-01F	百叶滴水线	440	1

Remarks:

Project Name: 青衣190

Project No: J851

Shop Drawing No: PRE-CAST ALUM. WINDOW & LOUVRE

Rev: -

Checked: KEN

Date: 25-02-2020

Drawn: W.E.X

Material: 门窗组裝图

Finish: UC15341935C-3

Projection: 2

Tolerance: ±0.5

Factory: Site

Assembly No: T1-W60

Rev: -

Project Name: 青衣190

Project No: J851

Shop Drawing No: PRE-CAST ALUM. WINDOW & LOUVRE

Rev: -

Checked: KEN

Date: 25-02-2020

Drawn: W.E.X

Material: 门窗组裝图

Finish: UC15341935C-3

Projection: 2

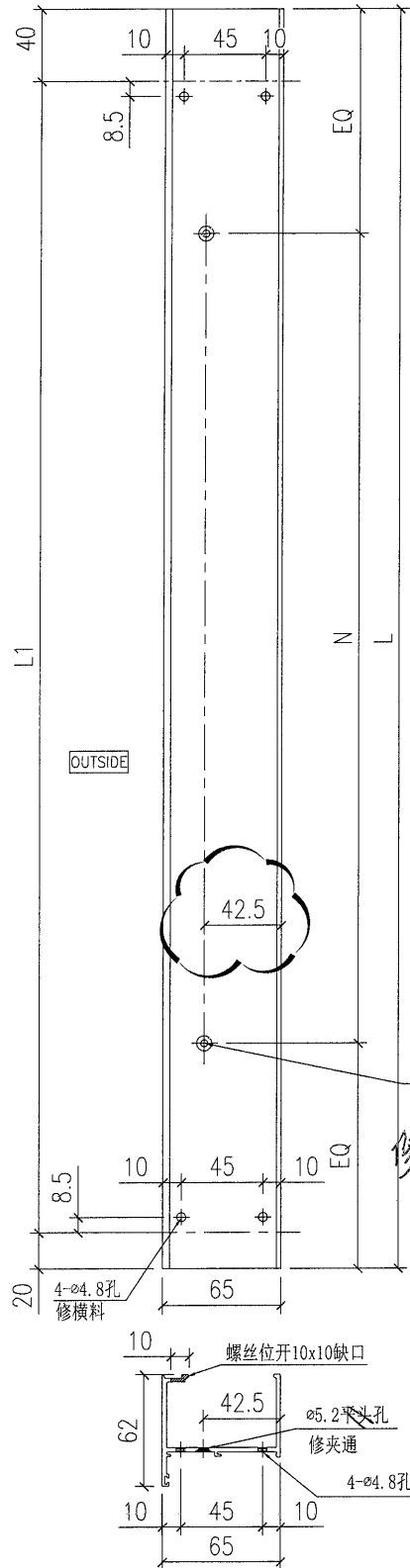
Tolerance: ±0.5

Factory: Site

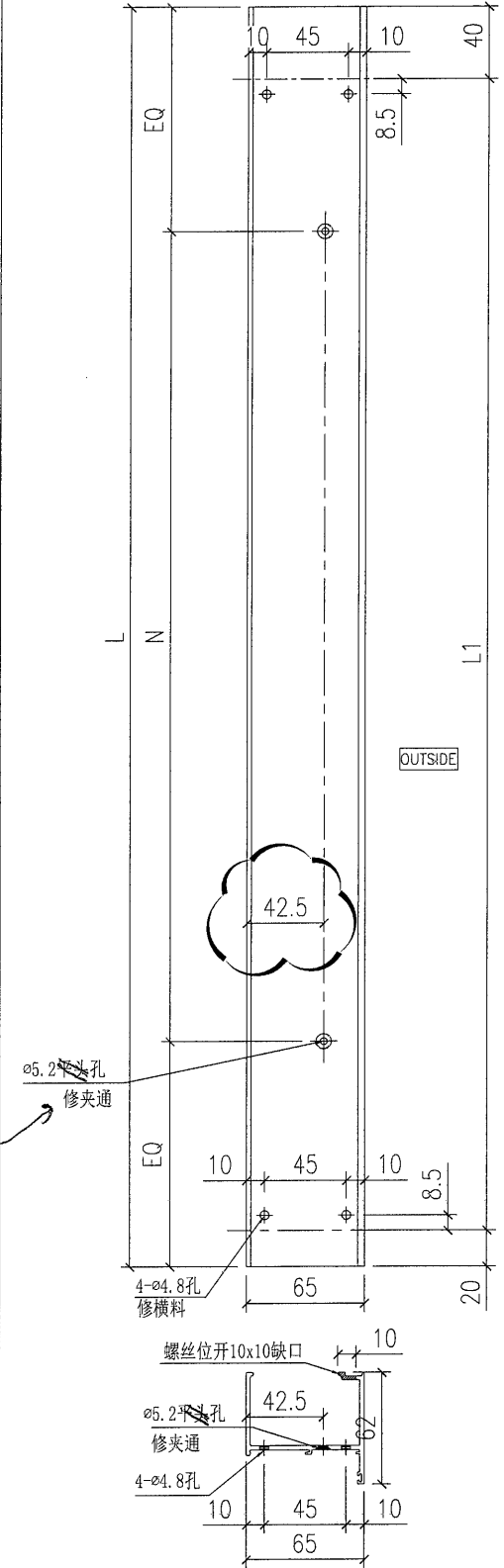
Assembly No: T1-W60

Rev: -

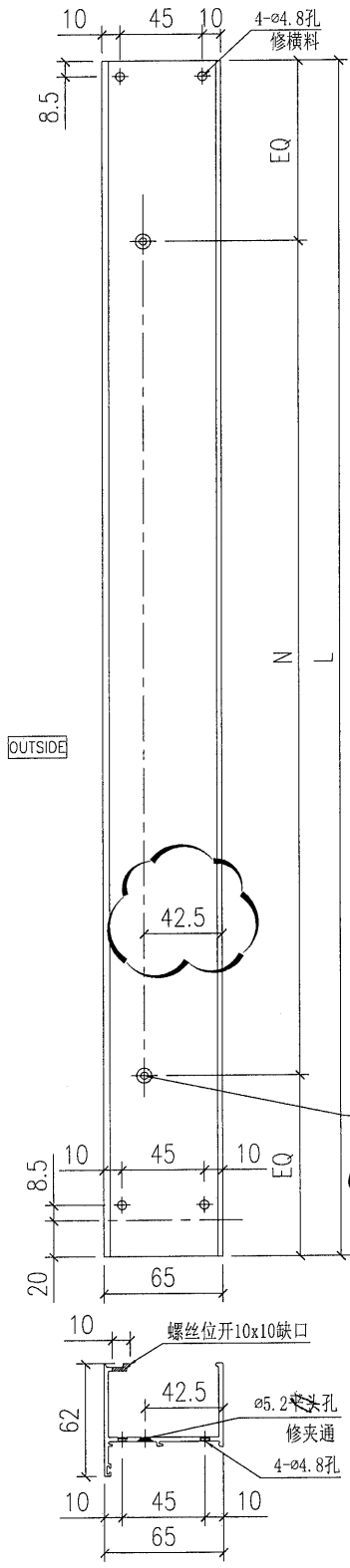
Project Name: 青衣190		Project No: J851		Checked: KEN		Description: 榫夹企, X856822	
Shop Drawing No: PRE-CAST ALUM. WINDOW & LOUVRE		Rev: A		Date: 22-12-2014		Material: 6061-T6	
Drawn: W.E.X		Date: 22-12-2014		Finish: UCT534193SC-3		Material: 6061-T6	
Tolerance: ±0.5		Projection:		QTY: -		Delivery to: Factory	
Site:		Assembly No: X85682-02		Rev: A		Amendments:	



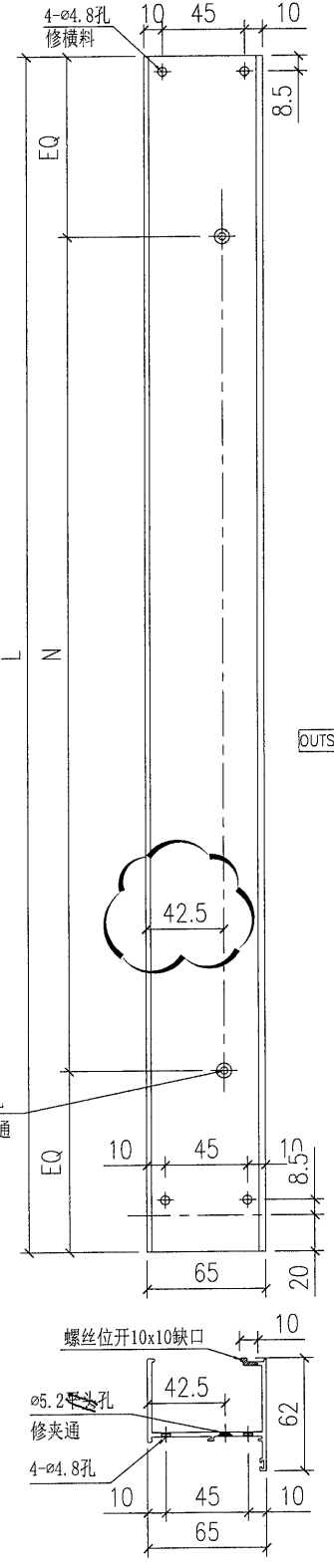
序号	部件编号	L	L1	N
4	X85682-02LD	2290	2230	7x300c/c
3	X85682-02LC	1710	1650	5X300c/c
2	X85682-02LB	1810	1750	6x280c/c
1	X85682-02LA	1885	1825	6x280c/c



序号	部件编号	L	L1	N
4	X85682-02RD	2290	2230	7x300c/c
3	X85682-02RC	-	-	-
2	X85682-02RB	1810	1750	6x280c/c
1	X85682-02RA	1885	1825	6x280c/c



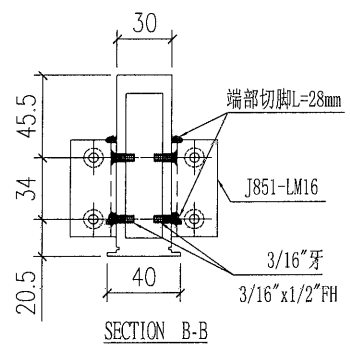
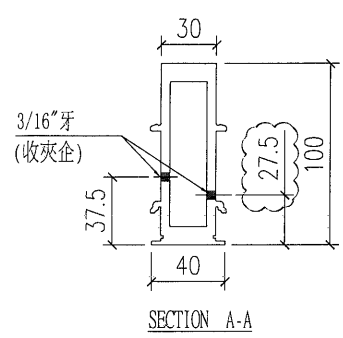
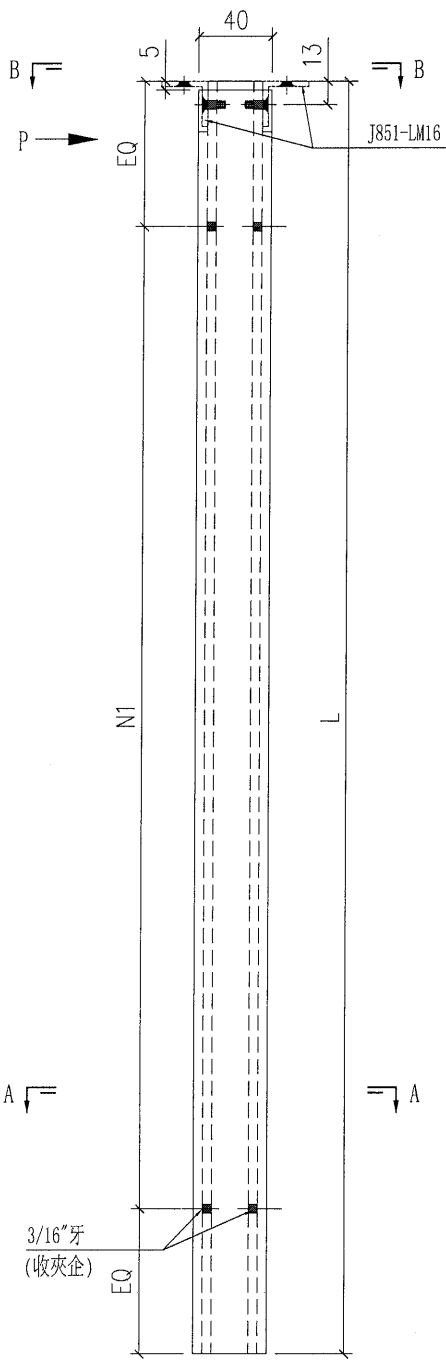
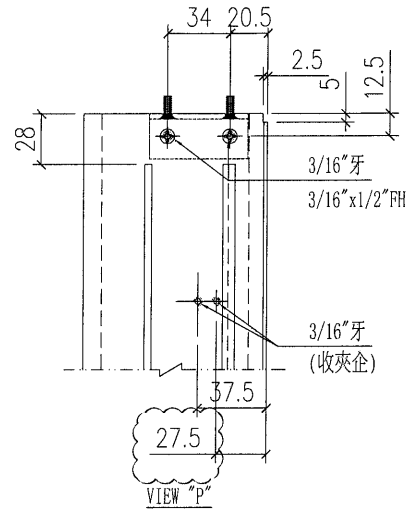
2	X85682-01LB	1655	5x300c/c
1	X85682-01LA	1755	5x300c/c
序号	部件编号	L	N



1	X85682-01RA	1755	5x300c/c
序号	部件编号	L	N

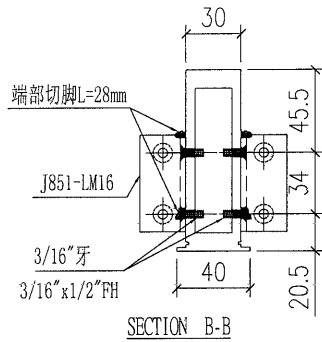
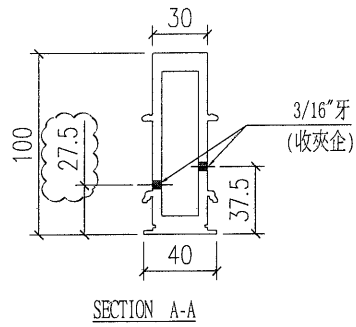
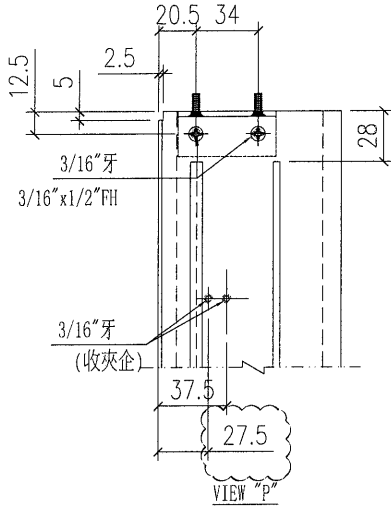
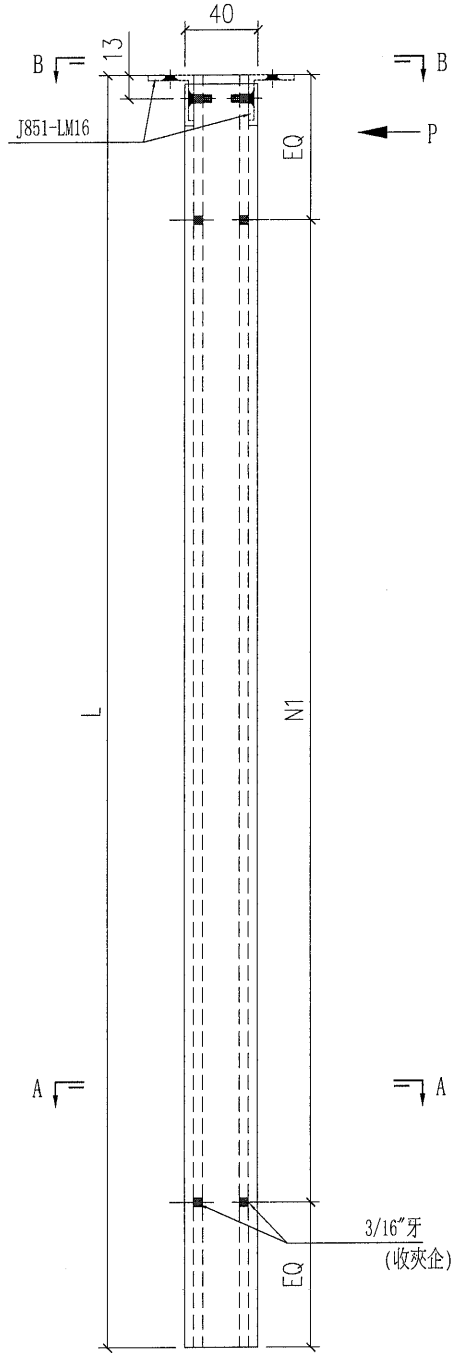
Project Name: 青衣190		Project No: J851		Checked: KEN		Description: 梗夹企, X856822		QTY: -		Delivery to: (Factory)		Date: -	
Shop Drawing No: PRE-CAST ALUM. WINDOW & LOUVRE		Rev: A		Date: 22-12-2014		Material: 6061-T6		Tolerance: ±0.5		Site: (Factory)		Date: -	
Date: 22-12-2014		Drawn: W.E.X		Finish: UCT534193SC-3		Projection: (Symbol)		Assembly No: X85682-01		Rev: A		Amendments: -	

MIDI Aluminium Fabricator Ltd.



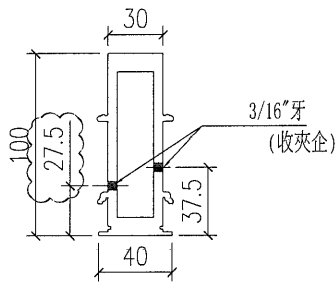
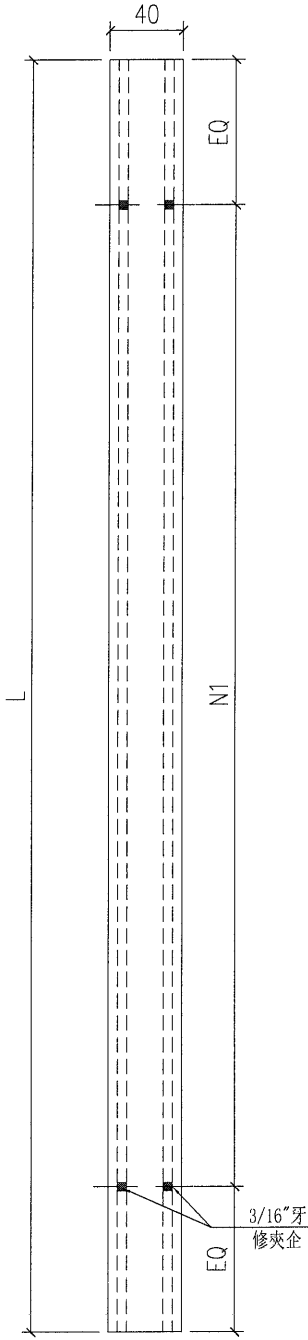
2	X85684-01LB	1655	5x300c/c
1	X85684-01LA	1755	5x300c/c
序号	部件编号	L	N1

Project Name: 青衣190		Project No: J851		Checked: KEN		Description: 夹框通, X856840		QTY: -		Delivery to Rev: (Factory)	
Shop Drawing No: PRE-CAST ALUM. WINDOW & LOUVRE		Rev: A		Date: 22-12-2014		Material: 6061-T6		Tolerance: ±0.5		Date:	
Date: 22-12-2014		Drawn: W.E.X		Date: 22-12-2014		Finish: UCT534193SC-3		Projection: (Symbol)		Assembly No: X85684-01L	
MIDI Aluminium Fabricator Ltd.											



1	X85684-01RA	1755	5x300c/c
序号	部件编号	L	N1

Remarks:		Checked: KEN		Description: 夹框通, X856840		QTY: -		Delivery to Rev. (Factory)		Date		Amendments	
Project Name: 青衣190		Date: 22-12-2014		Material: 6061-T6		Tolerance: ±0.5		Site		Assembly No. X85684-01R		Rev. A	
Stop Drawing No. PRE-CAST ALUM. WINDOW & LOUVRE		Project No. J851		Finish: UCT534193SC-3		Projection		Date: 22-12-2014		Drawn: W.E.X		Rev. A	

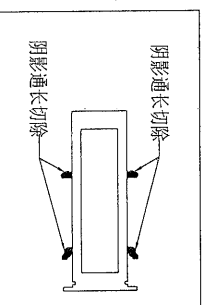
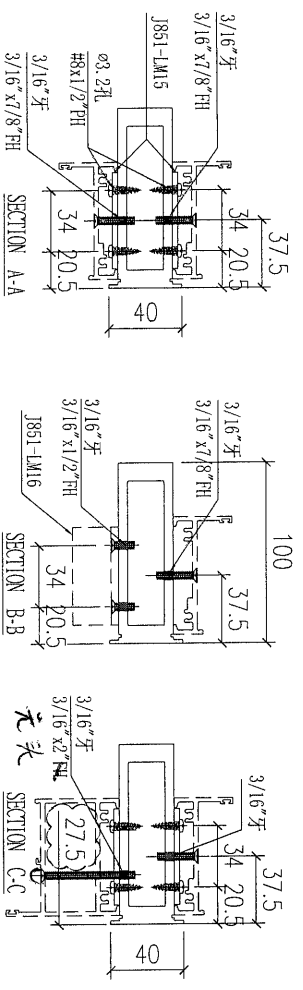
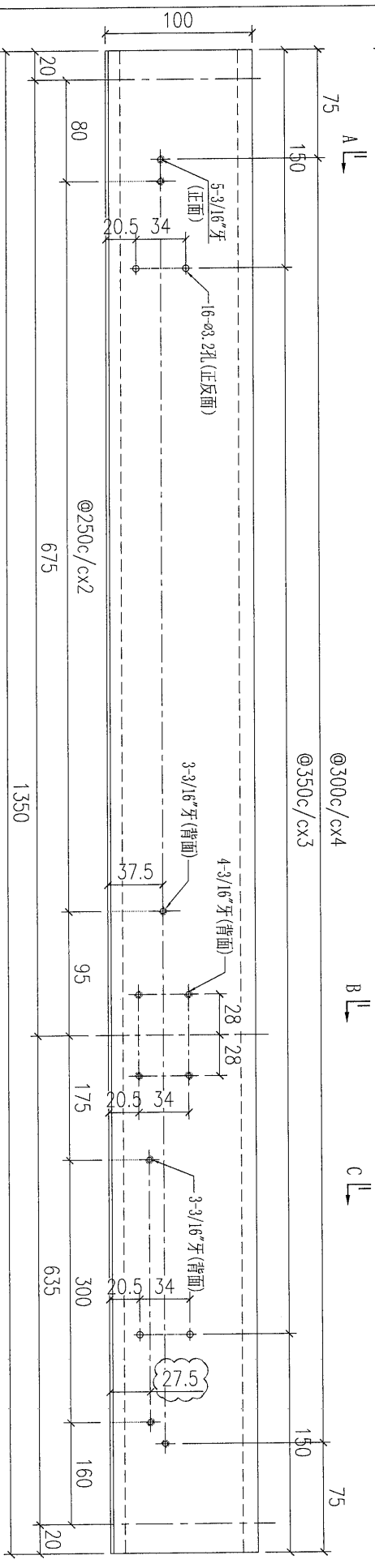
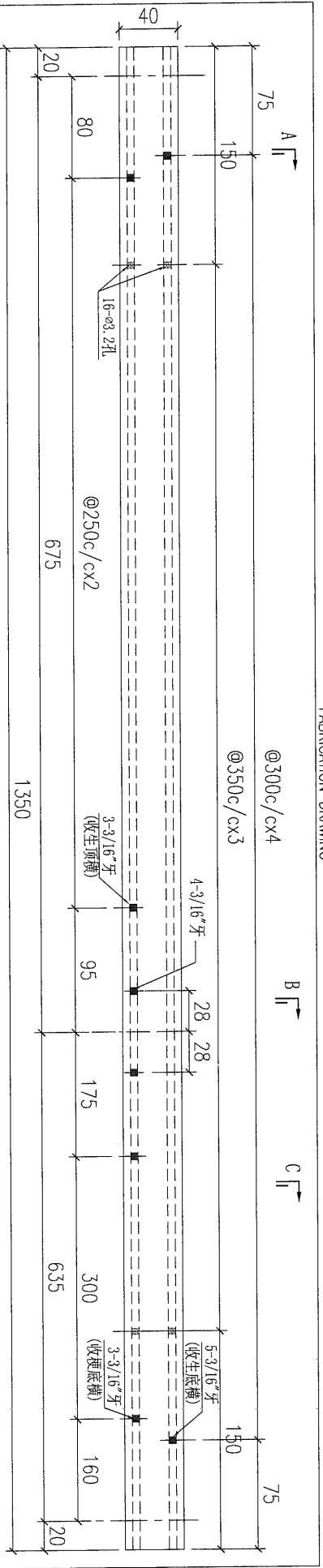


3	X85684-02C	1710	5x300c/c
2	X85684-02B	1810	6x275c/c
1	X85684-02A	1885	6x290c/c
序号	部件编号	L	N1

Remarks:		Checked: KEN		Description: 夹框通, X856840		QTY: -		Delivery to Rev. Date		Amendments	
Project Name: 青衣190		Date: 22-12-2014		Material: 6061-T6		Tolerance: ±0.5		Factory			
Project No: J851		Drawn: W.E.X		Finish: UCT534193SC-3		Projection:		Site			
Shop Drawing No: PRE-CAST ALUM. WINDOW & LOUVRE		Rev: A		Date: 22-12-2014		Projection:		Assembly No: X85684-02		Rev: A	

MIDI Aluminium Fabricator Ltd.

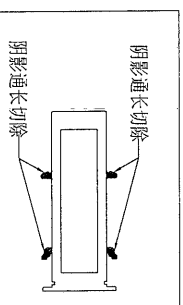
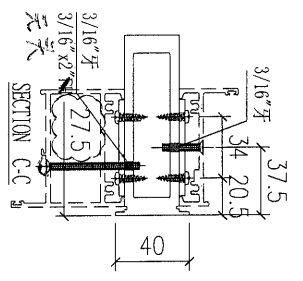
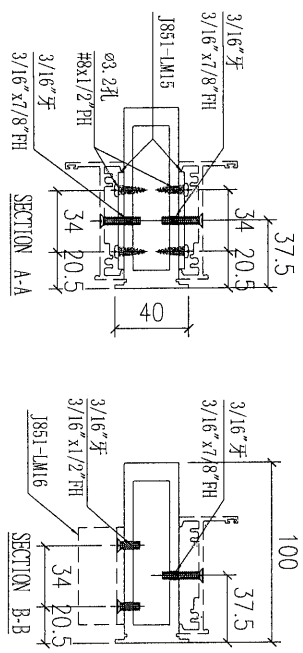
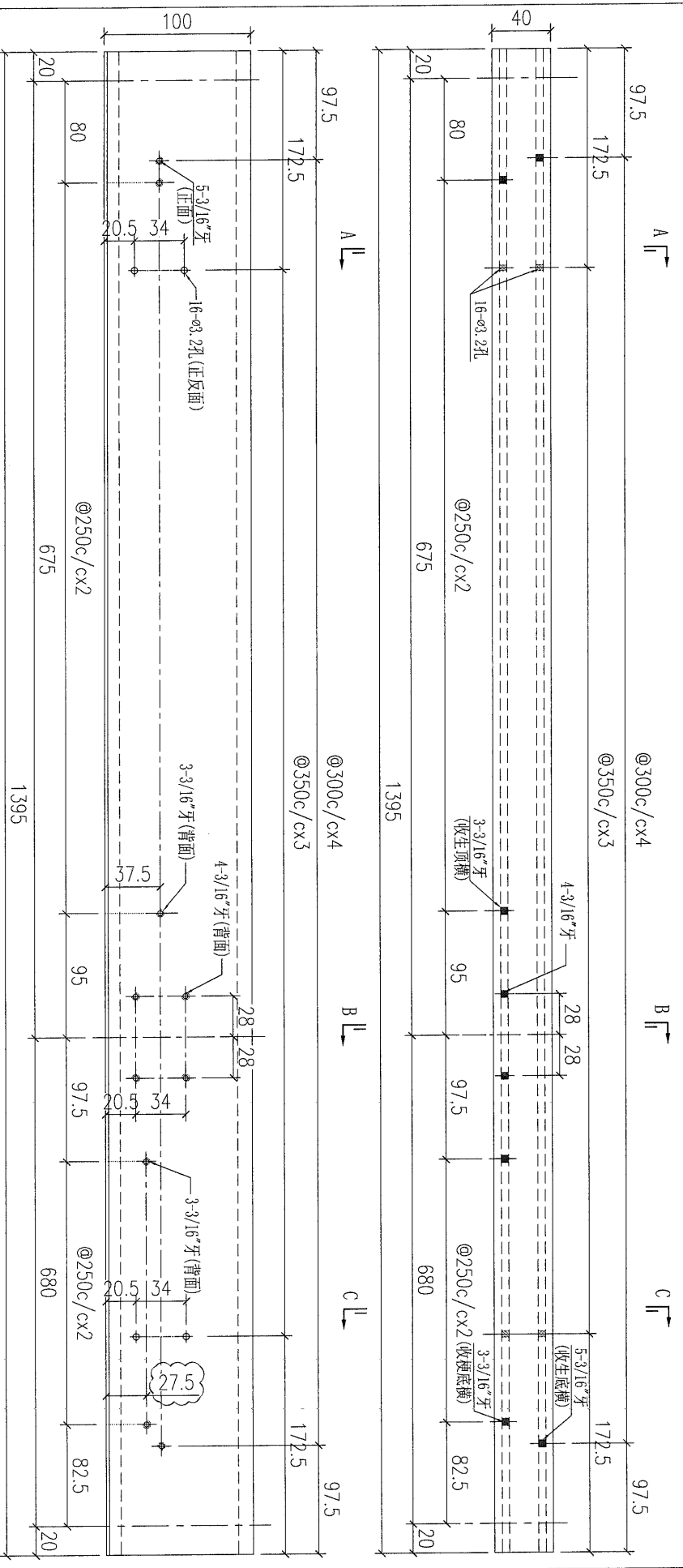
FABRICATION DRAWING



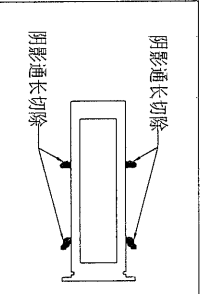
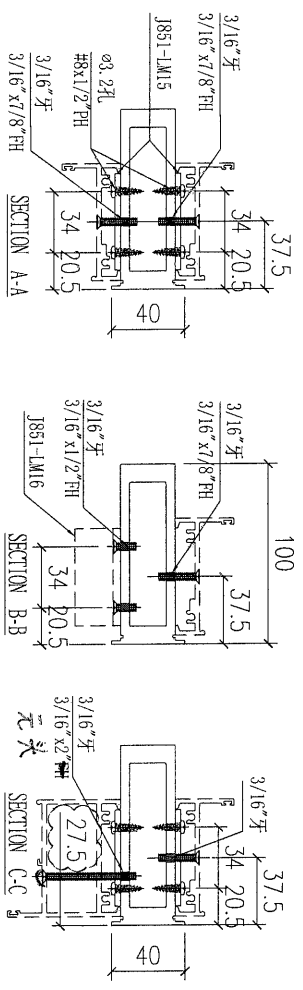
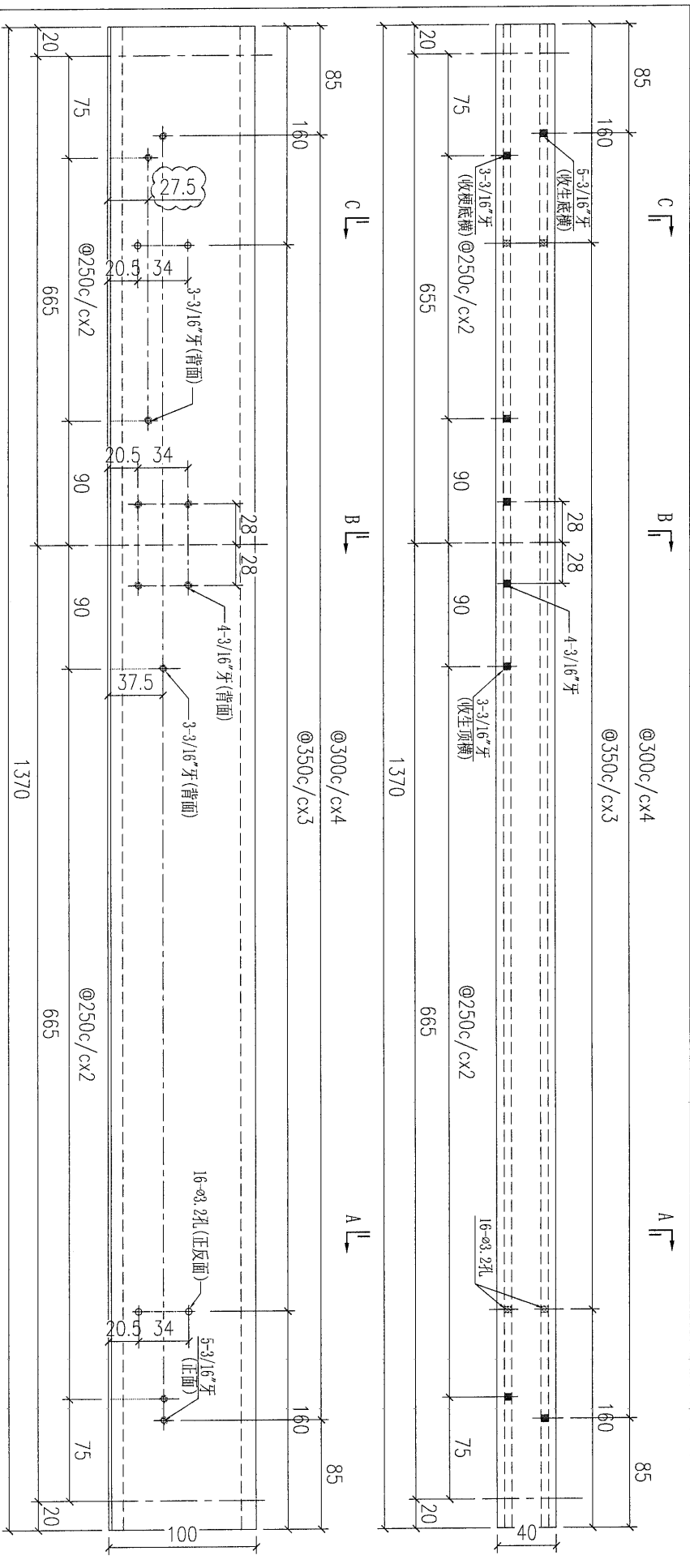
Remarks:		Checked: -		Date: -		Description: 夹框通, X856840		QTY: -		Delivery to Rev.		Date		Amendments	
Project Name: 青衣190		Project No. J851		Date: -		Material: 6061-T6		Tolerance: ±0.5		Factory					
Shop Drawing No. PRE-CAST ALUM. WINDOW & LOUVRE		Rev. -		Date: 15-02-2020		Finish: UC15341935C-3		Projection:		Site		Assembly No. X85684-03L		Rev. A	



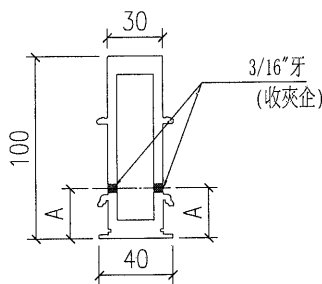
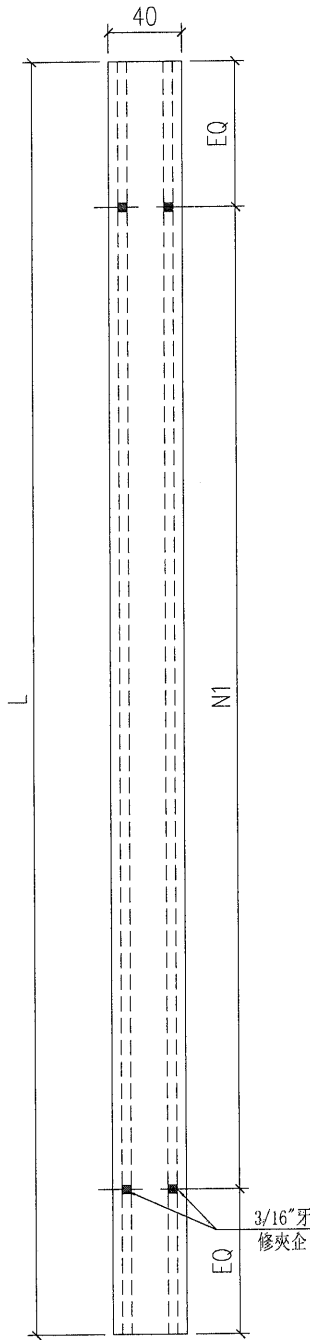
FABRICATION DRAWING



Remarks:		Checked: -		Description:		QTY: -		Delivery to Rev.		Date		Amendments	
Project Name: 青衣190		Project No. J851		Date: -		Material: 6061-T6		Tolerance: ±0.5		Factory		Date	
Shop Drawing No. PRE-CAST ALUM. WINDOW & LOUVRE		Rev. -		Date: 15-02-2020		Finish: UCT5341935C-3		Projection:		Site		Assembly No. X85684-04	
												Rev. A	



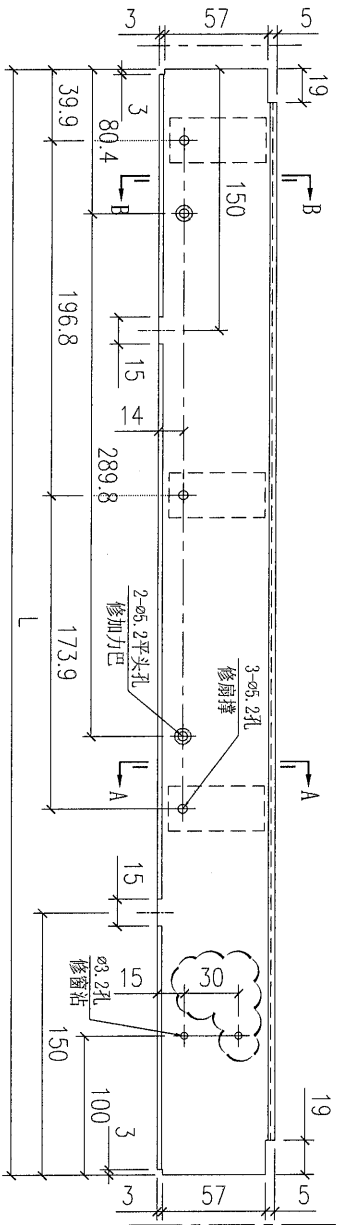
Remarks:		Checked: -		Description: 夹框通, X856840		QTY: -		Delivery to: (Factory)		Rev.:	
Project Name: 青衣190		Project No. J851		Material: 6061-T6		Tolerance: ±0.5		Site: (Factory)		Rev.:	
Shop Drawing No. PRE-CAST ALUM. WINDOW & LOUVRE		Rev. -		Finish: UCT534193SC-3		Projection: (Symbol)		Assembly No. X85684-05		Rev. A	
Date: -		Date: 15-02-2020		Date: -		Date: -		Date: -		Date: -	
Drawn: W.E.X		Date: 15-02-2020		Date: -		Date: -		Date: -		Date: -	



3	X85684-06C	2290	27.5	7x300c/c
2	X85684-06B	2290	37.5	7x300c/c
1	X85684-06A	1940	37.5	6x300c/c
序号	部件编号	L	A	N1

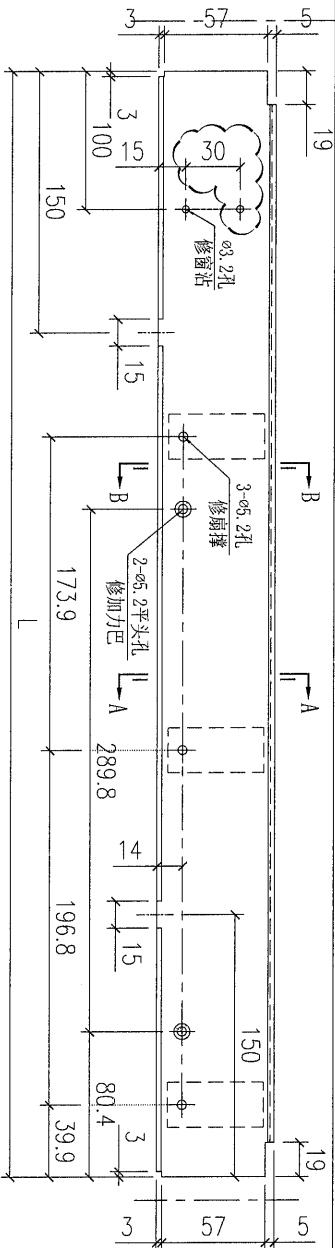
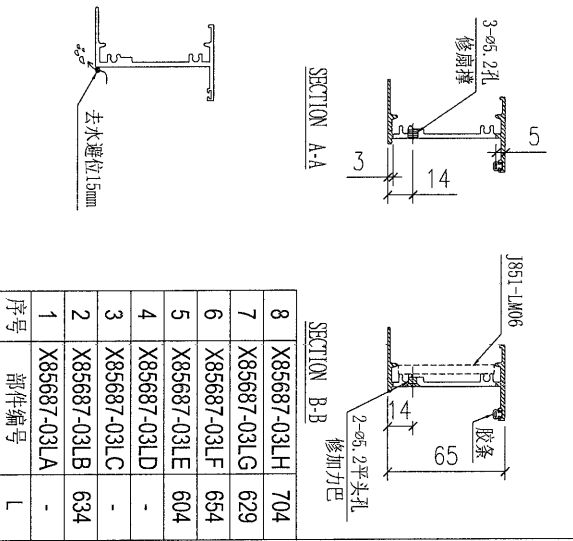
Remarks:		Checked: KEN		Description: 夹框通, X856840		QTY: -		Delivery to: Factory		Rev.:	
Project Name: 青衣190		Date: 22-12-2014		Material: 6061-T6		Tolerance: ±0.5		Site:		Date:	
Project No: J851		Drawer: W.E.X		Finish: UCT534193SC-3		Projection:		Assembly No.:		Rev.:	
Shop Drawing No. PRE-CAST ALUM. WINDOW & LOUVRE		Rev. A		Date: 22-12-2014				X85684-06		A	

MIDI Aluminium Fabricator Ltd.



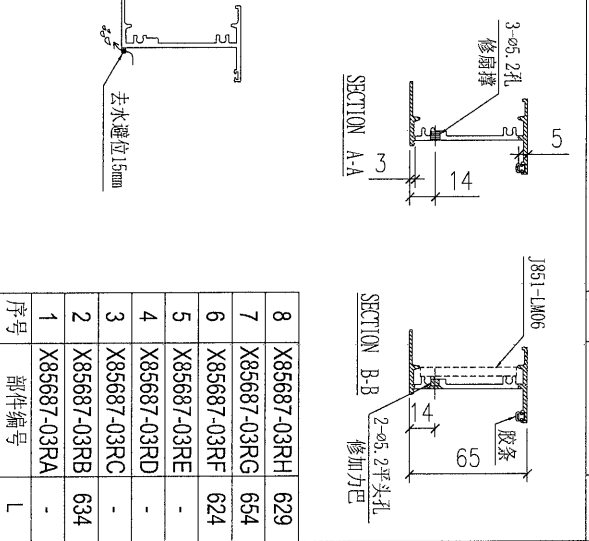
SECTION A-A

SECTION B-B



SECTION A-A

SECTION B-B

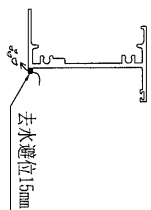
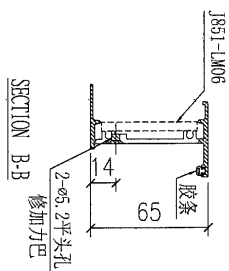
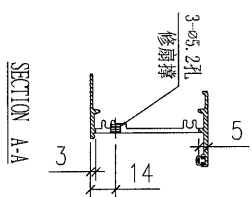
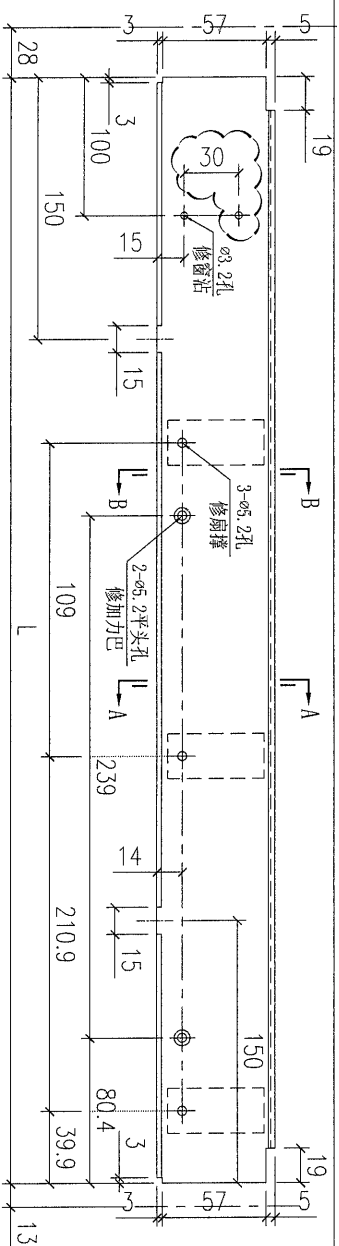
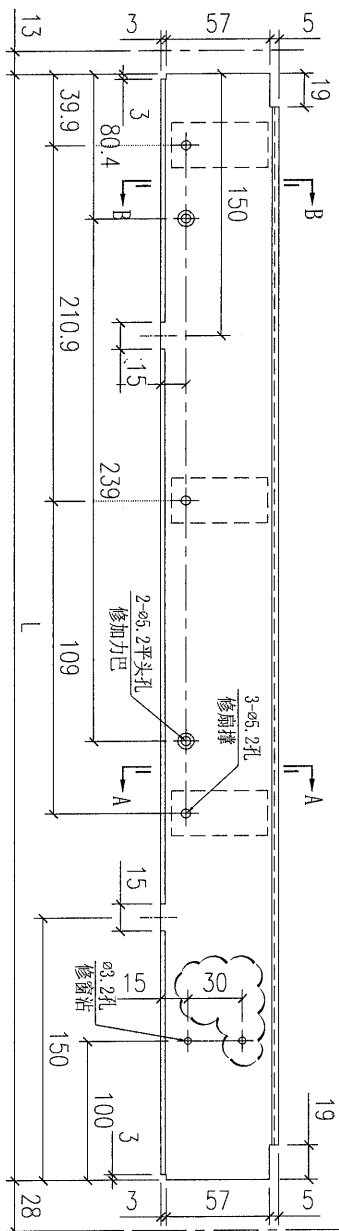


序号	部件编号	数量
8	X85687-03RH	629
7	X85687-03RG	654
6	X85687-03RF	624
5	X85687-03RE	-
4	X85687-03RD	-
3	X85687-03RC	-
2	X85687-03RB	634
1	X85687-03RA	-

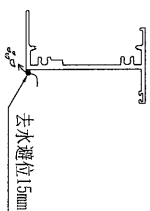
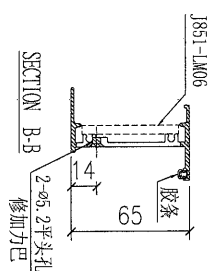
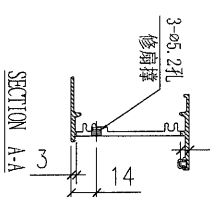
Remarks:		Checked: -		Description: 生底横, X856870		QTY: -		Delivery to Rev. Date	
Project Name: 青衣190		Project No: J851		Material: 6061-T6		Tolerance: ±0.5		Factory	
Shop Drawing No. PRE-CAST ALUM. WINDOW & LOUVRE		Rev. -		Drawn: W.E.X		Projection:		Site	
		Date: 15-02-2020		Finish: UCT5341933C-3		Assembly No. X85687-03		Rev. A	

MIDI Aluminium Fabricator Ltd.

FABRICATION DRAWING

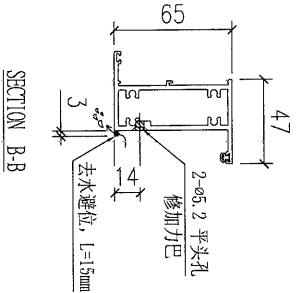
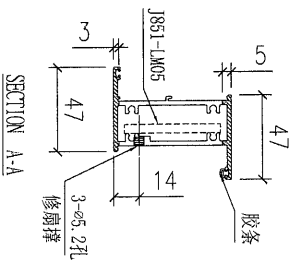
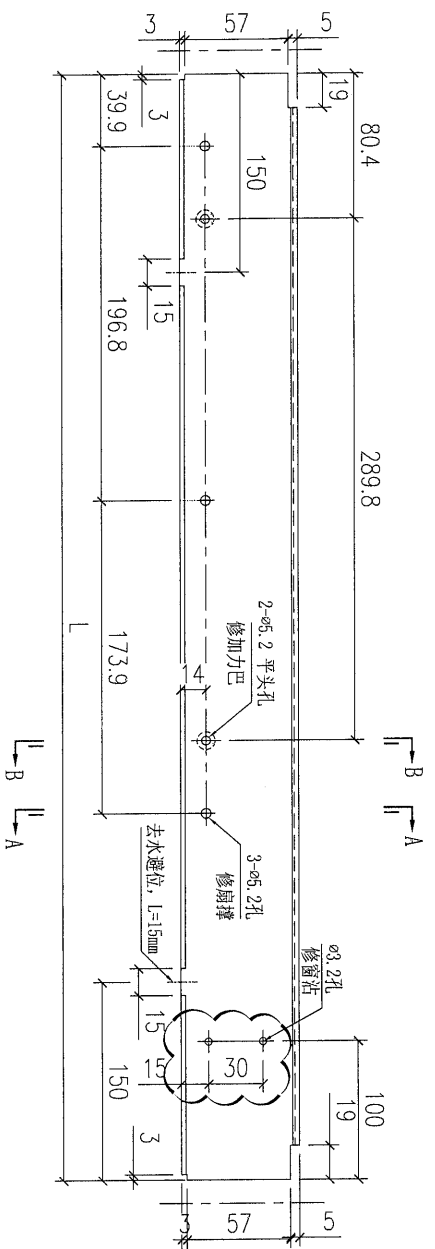


4	X85687-04LE	-
3	X85687-04LD	454
2	X85687-04LC	504
1	X85687-04LA	-
序号	部件编号	L

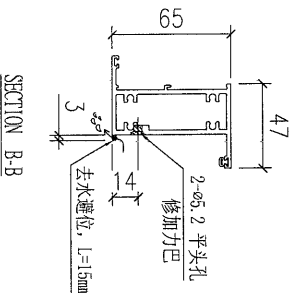
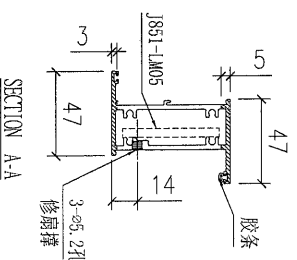
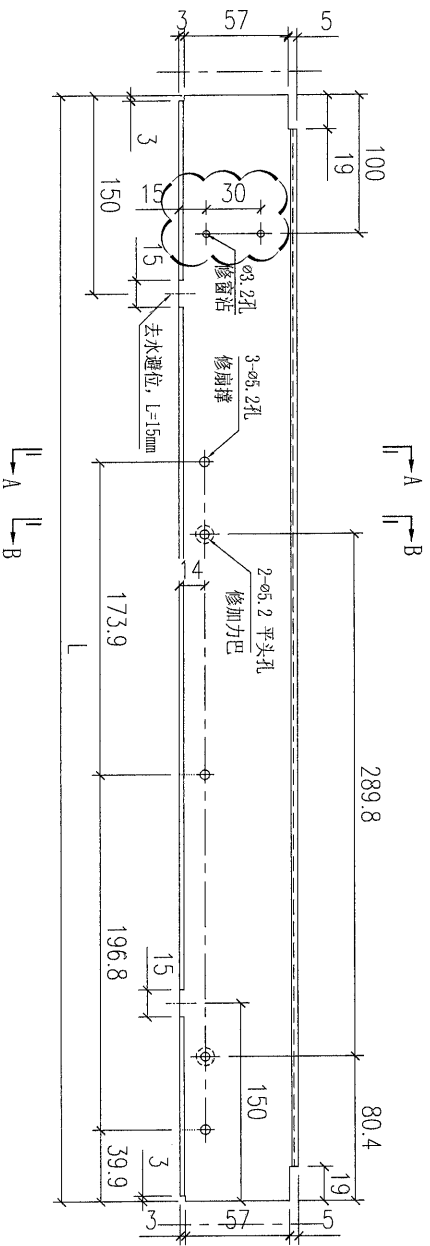


4	X85687-04RE	504
3	X85687-04RD	454
2	X85687-04RC	-
1	X85687-04RA	-
序号	部件编号	L2

Remarks:		Checked: -		Description: 生底横, X856870		QTY: -		Delivery to: Rev: Date:	
Project Name: 青衣190		Date: -		Material: 6061-T6		Tolerance: ±0.5		Factory	
Project No: J851		Drawn: W.E.X		Finish: UCT534193SC-3		Projection:		Site: Assembly No. X85687-04	
Shop Drawing No: PRE-CAST ALUM. WINDOW & LOUVRE		Date: 15-02-2020		Rev: -		Rev: A		MIDI Aluminium Fabricator Ltd.	

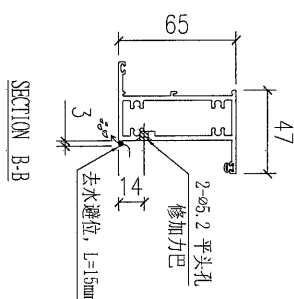
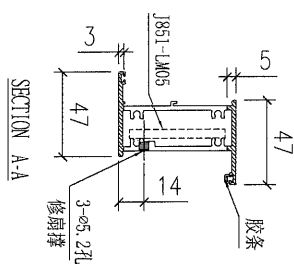
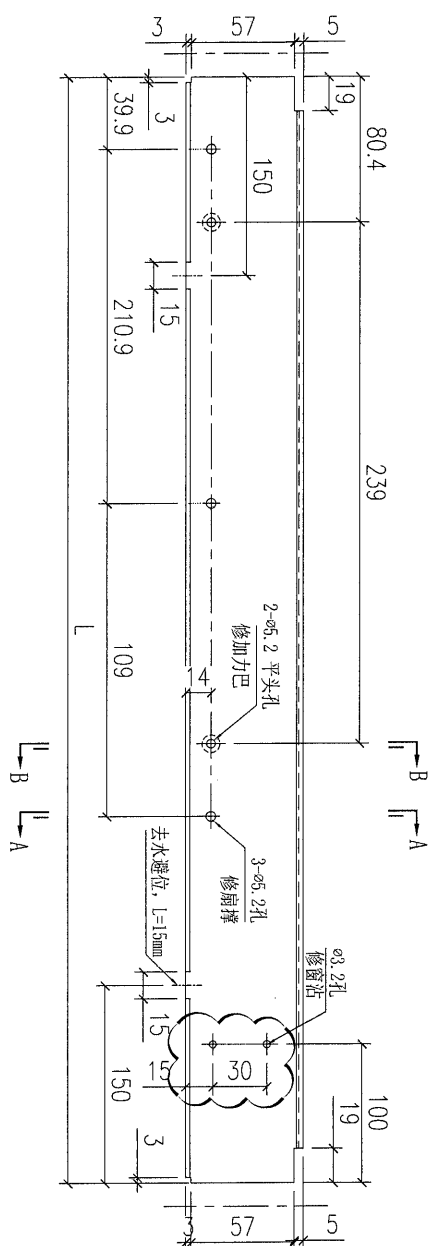


1	X85689-01LA	571
序号	部件编号	L

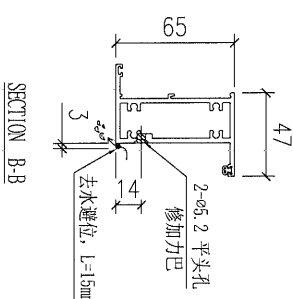
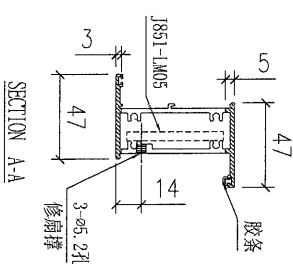
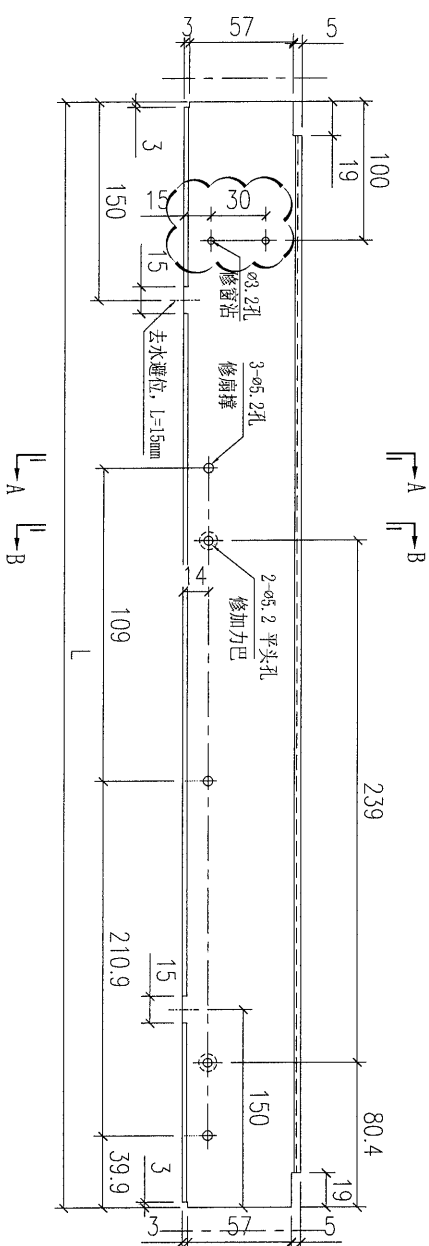


1	X85689-01RA	571
序号	部件编号	L

Remarks:		Checked: -		Description:		QTY: -		Delivery to	
Project Name: 青衣190		Date: -		上生下梗中横, X856891		Tolerance: ±0.5		Factory	
Project No: J851		Drawn: W.E.X		Material: 6061-T6		Projection:		Rev.	
Shop Drawing No: PRE-CAST ALUM. WINDOW & LOUVRE		Date: 15-02-2020		Finish: UC1534193SC-3		Site		Date	
Rev: -		Date: 15-02-2020		UC1534193SC-3		Assembly No. X85689-01		Rev. A	



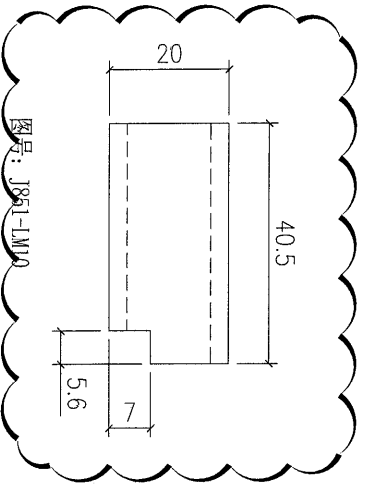
1	X85689-021A	539
序号	部件编号	L



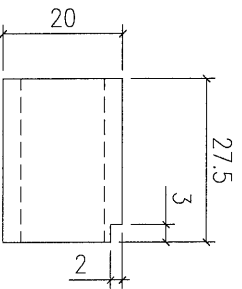
1	X85689-02RA	539
序号	部件编号	L

Remarks:		Checked: -		Description: 上生下榫中横, X856891		QTY: -		Delivery to: Rev. Date	
Project Name: 青衣190		Date: -		Material: 6061-T6		Tolerance: ±0.5		Factory	
Project No: J851		Drawn: W.E.X		Finish: UC1534193SC-3		Projection:		Site	
Shop Drawing No: PRE-CAST ALUM. WINDOW & LOUVRE		Rev: -		Date: 15-02-2020		Project:		Assembly No: X85689-02	
								Rev: A	

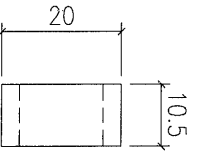
MIDI Aluminium Fabricator Ltd.



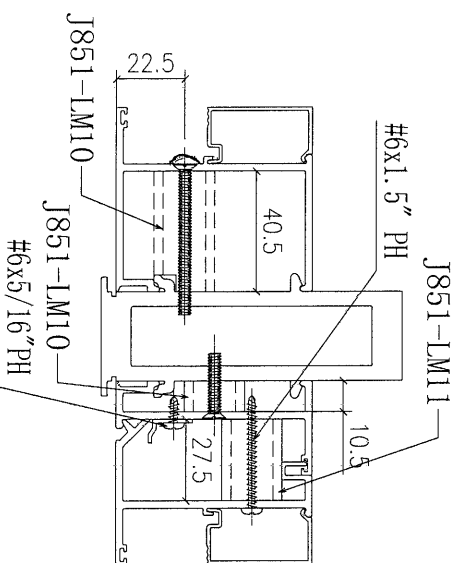
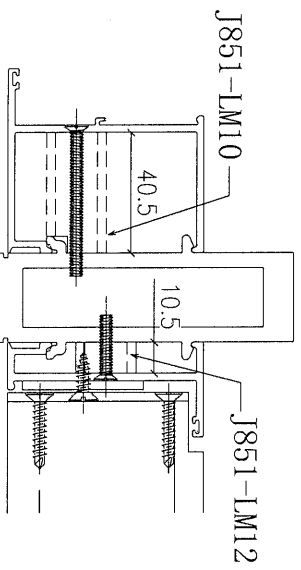
图号: J851-LM10  
名称: 20x20x3mm铝通 (MILL)  
数量: 3888+112=4000只  
垫块



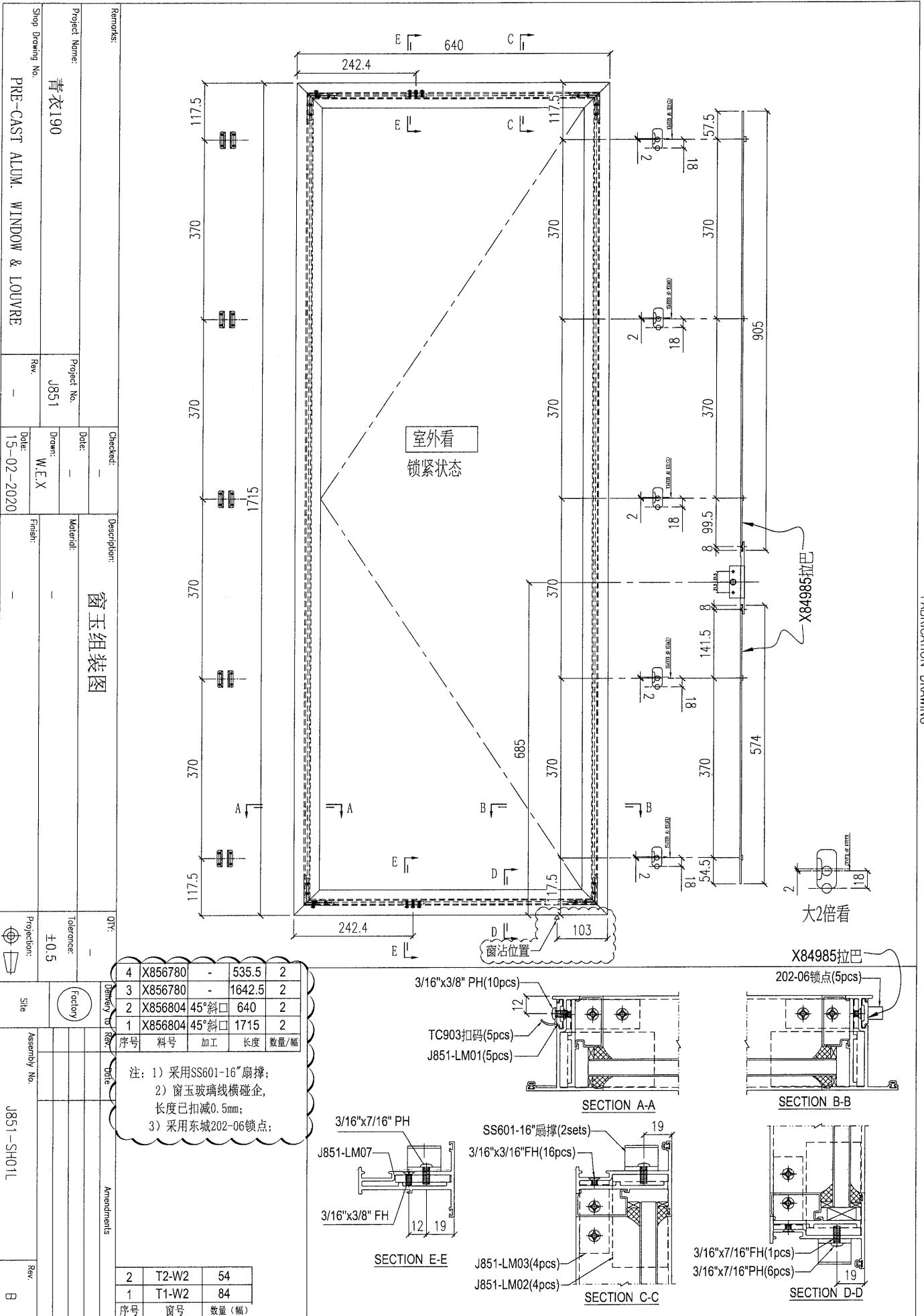
图号: J851-LM11  
名称: 20x20x3mm铝通 (MILL)  
数量: 2418+82=2500只  
垫块



图号: J851-LM12  
名称: 20x20x3mm铝通 (MILL)  
数量: 7108+192=7300只  
垫块



Remarks:		Checked: -		Description: 铝垫通		QTY: -		Delivery to		Revisions	
Project Name: 青衣190		Date: 22-12-2014		Material: PE00E3016 (20x20x3mm铝通)		Factory: ±0.5		Date		Date	
Project No: J851		Drawn: W.E.X		Finish: MILL		Projection:		Rev.		Rev.	
Shop Drawing No: PRE-CAST ALUM. WINDOW & LOUVERE		Date: 17-02-2020				Site		Assembly No. J851-LM10~LM12		Rev. A	



4	X856780	-	535.5	2
3	X856780	-	1642.5	2
2	X856804	45°斜口	640	2
1	X856804	45°斜口	1715	2

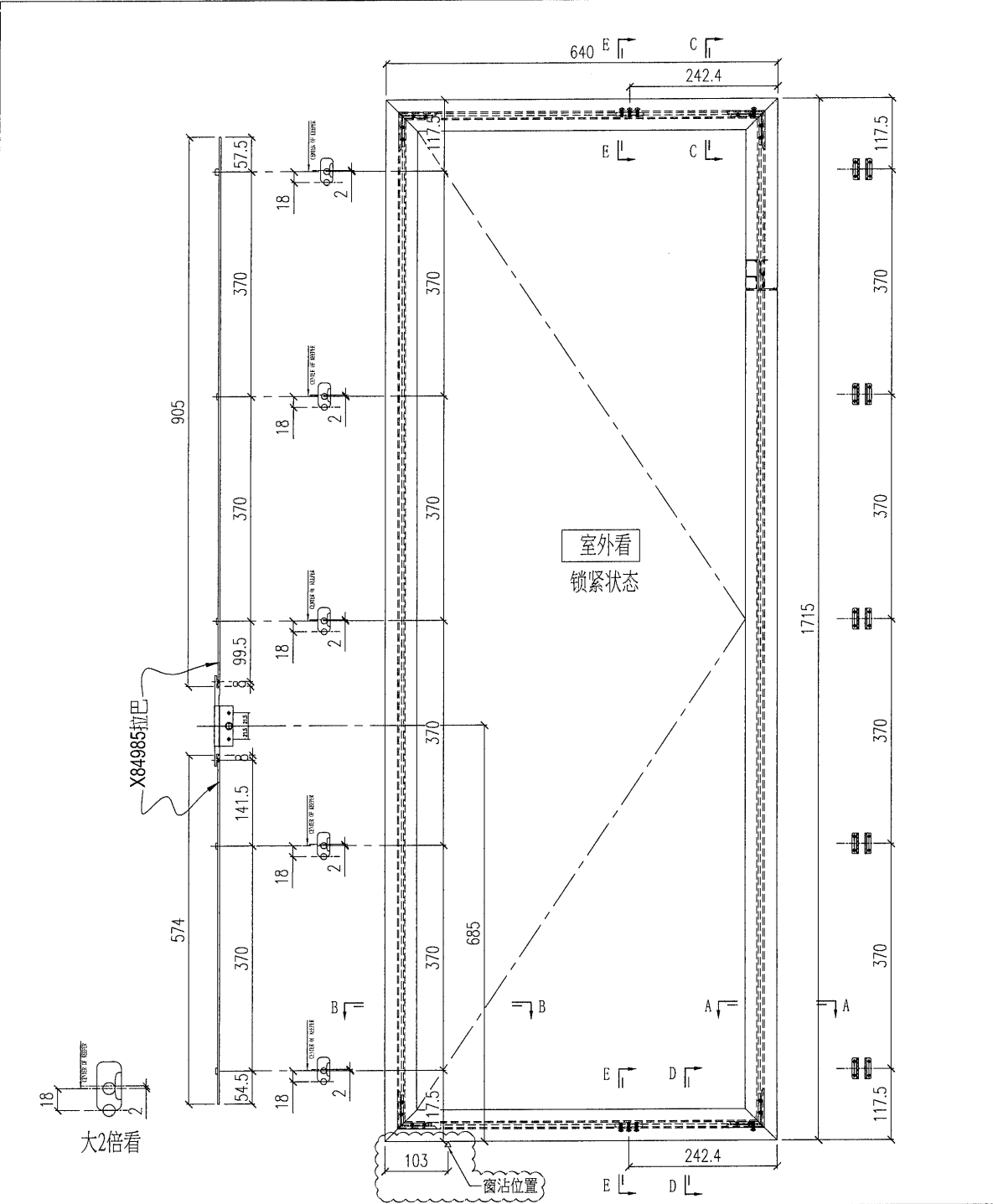
注: 1) 采用SS601-16"扇撑;  
2) 窗玉玻璃线横碰企, 长度已扣减0.5mm;  
3) 采用东城202-06锁点;

2	T2-W2	54
1	T1-W2	84

序号 窗号 数量(幅)

Project Name: 青衣190  
Project No: J851  
Drawn: W.E.X  
Date: 15-02-2020  
Finish: -  
Material: -  
Description: 窗玉组装图  
Checked: -  
Date: -  
Rev: -  
Shop Drawing No: PRE-CAST ALUM. WINDOW & LOUVRE  
Date: 15-02-2020  
Rev: -  
Projection: ±0.5  
Tolerance: -  
QTY: -  
Site: Factory  
Assembly No: J851-SH011  
Rev: B  
MIDI Aluminium Fabricator Ltd.

Project Name: 青衣190		Project No. J851		Checked: -		Description: 窗玉组裝圖		QTY: -	
Shop Drawing No. PRE-CAST ALUM. WINDOW & LOUVRE		Rev. -		Date: 15-02-2020		Drawn: W.E.X		Tolerance: ±0.5	
Remarks:		Date: -		Date: 15-02-2020		Material: -		Projection:	
Site: (Factory)		Assembly No. J851-SH01R		Delivery of Fab. Date: -		Amendments:		Rev. B	

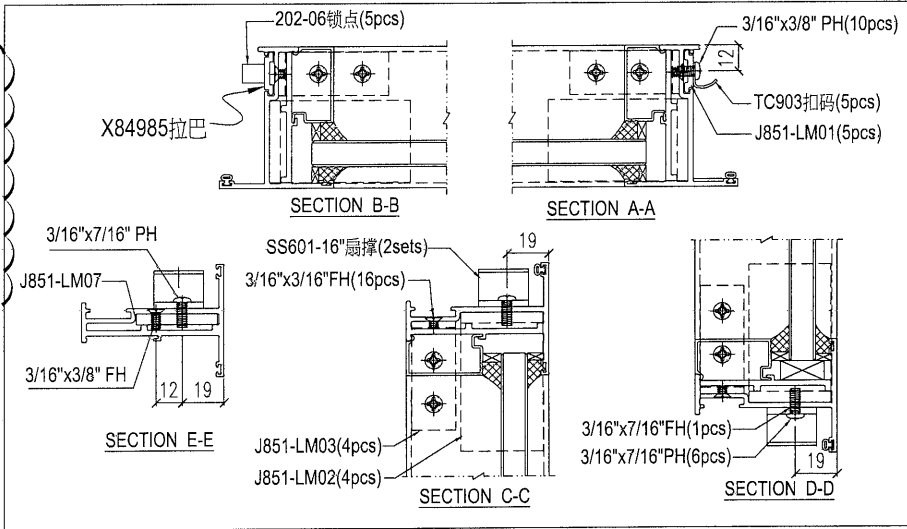


序号	料号	加工	长度	数量/幅
4	X856780	-	535.5	2
3	X856780	-	1642.5	2
2	X856804	45°斜口	640	2
1	X856804	45°斜口	1715	2

注: 1) 采用SS601-16"扇撑;  
2) 窗玉玻璃线横碰企, 长度已扣减0.5mm;  
3) 采用东城202-06锁点;

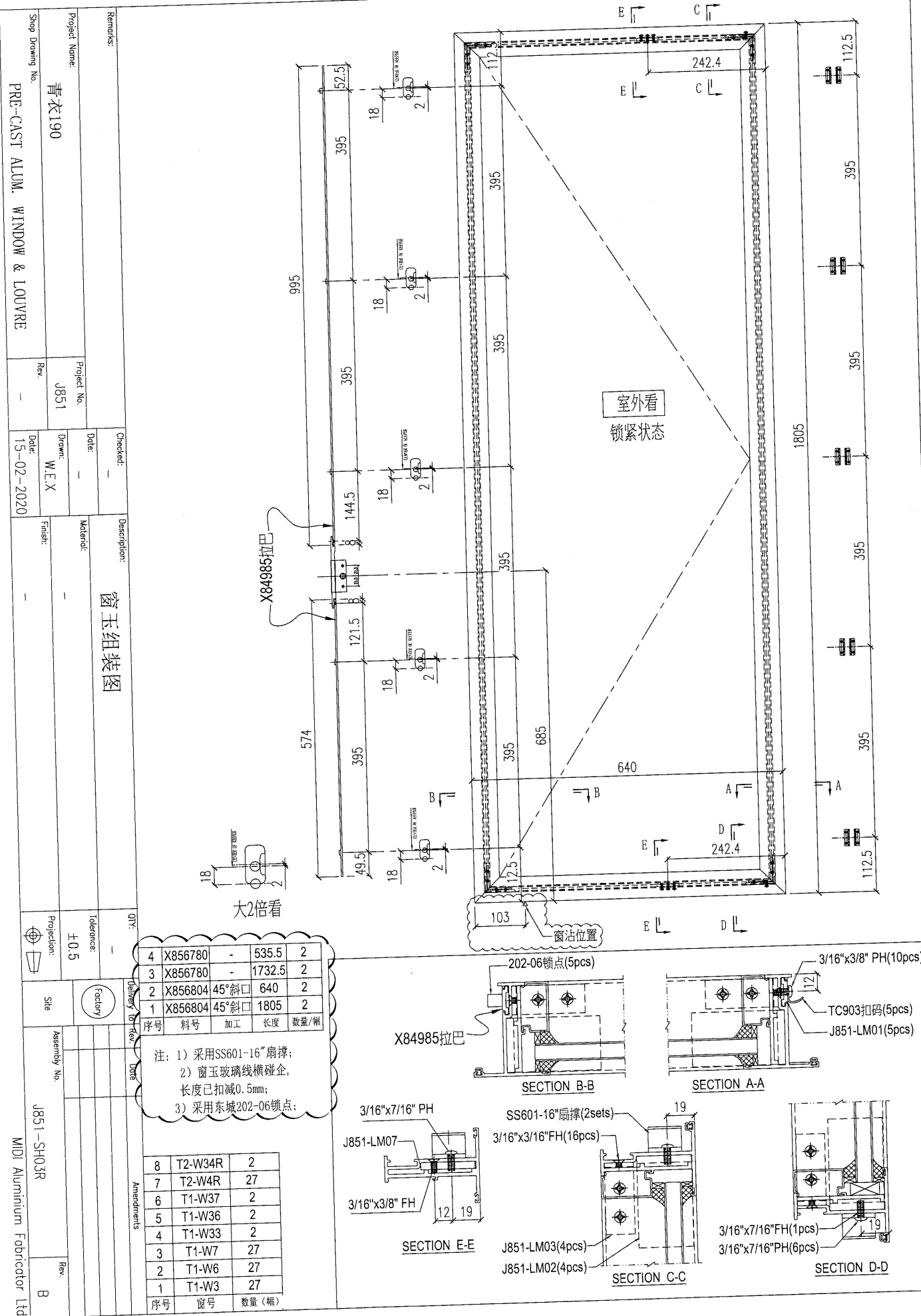
2	T2-W2R	81
1	T1-W2R	84

序号	窗号	数量(幅)
----	----	-------









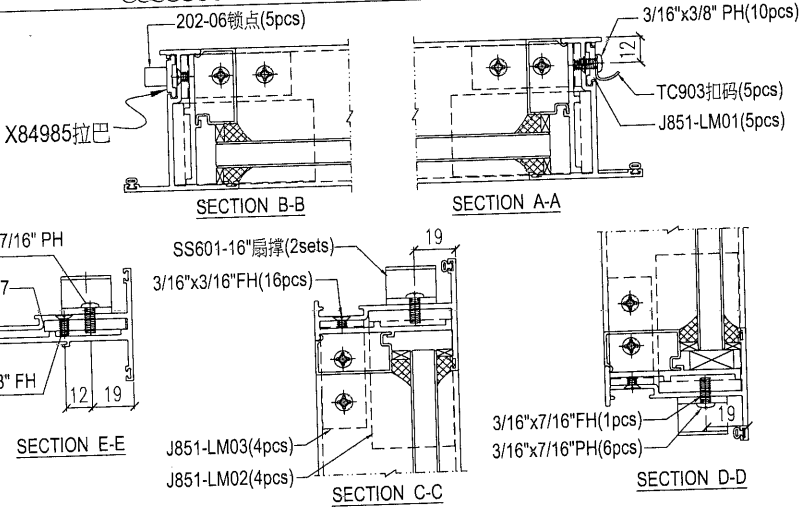
窗玉组裝圖

Remarks:	Checked:	Description:
Project Name: 青衣190	Date:	窗玉组裝圖
Project No. J851	Drawn: W.E.X	Material:
Rev:	Date: 15-02-2020	Finish:
Shop Drawing No. PRE-CAST ALUM. WINDOW & LOUVRE		

4	X856780	-	535.5	2
3	X856780	-	1732.5	2
2	X856804	45°斜口	640	2
1	X856804	45°斜口	1805	2

注: 1) 采用SS601-16"扇撑;  
2) 窗玉玻璃线横碰企, 长度已扣减0.5mm;  
3) 采用东城202-06锁点;

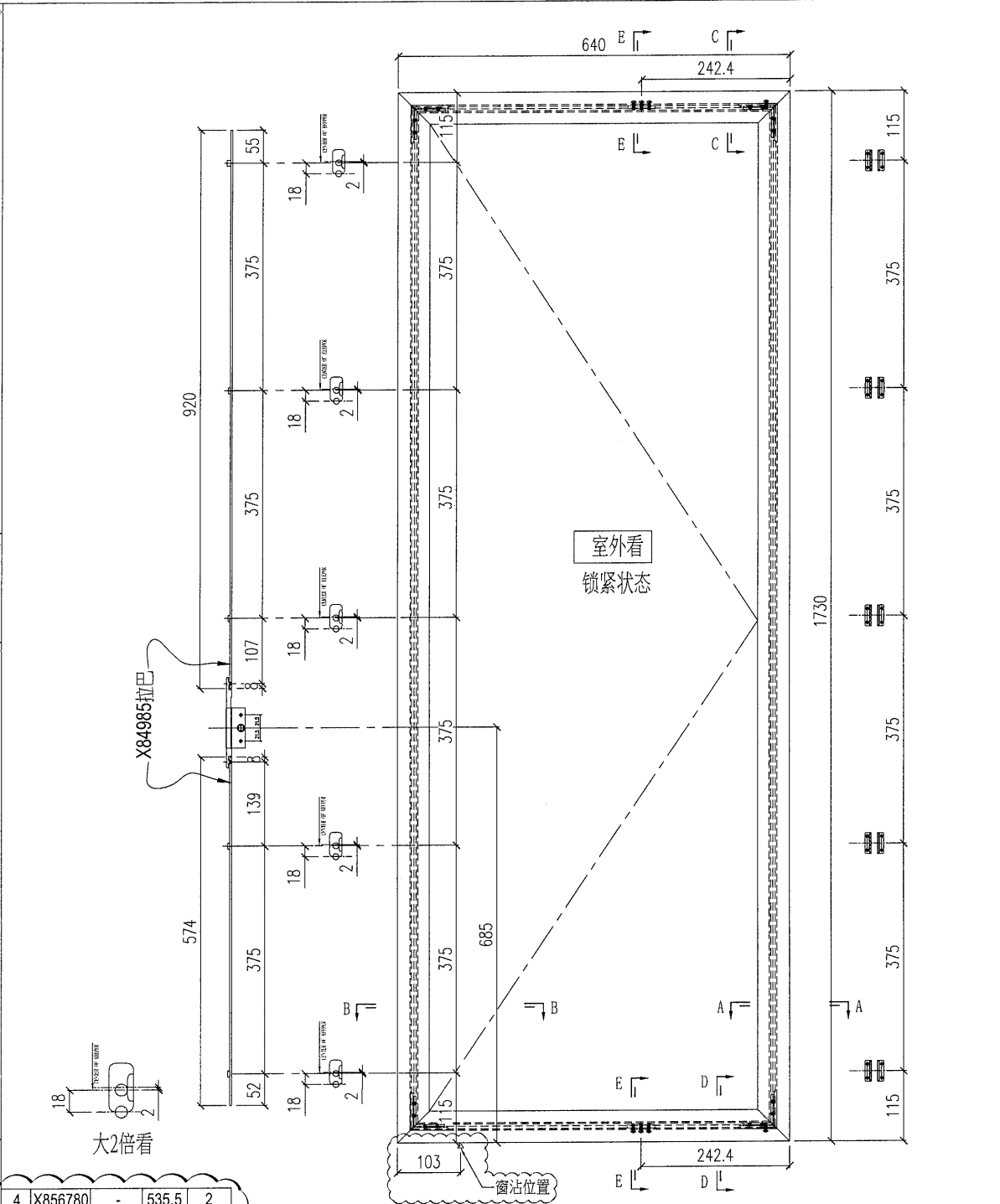
8	T2-W34R	2
7	T2-W4R	27
6	T1-W37	2
5	T1-W36	2
4	T1-W33	2
3	T1-W7	27
2	T1-W6	27
1	T1-W3	27



Assembly No. J851-SH03R  
MIDI Aluminium Fabricator Ltd.



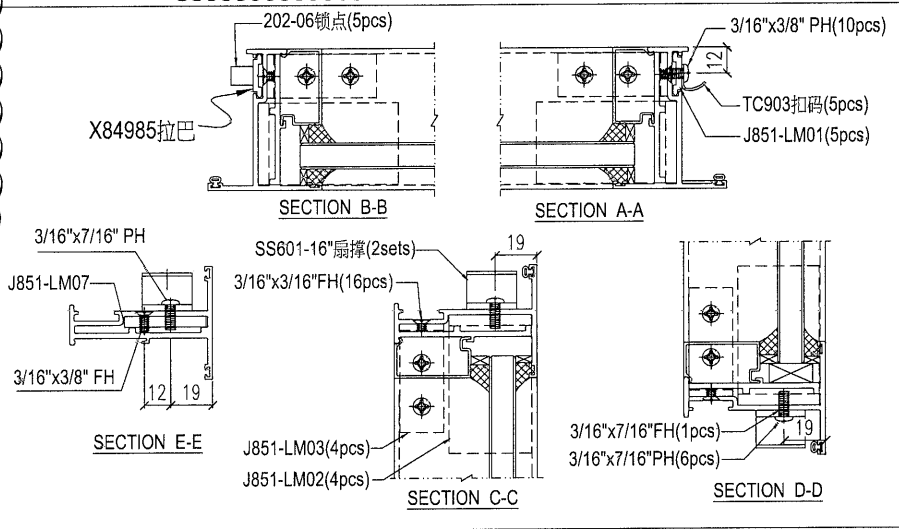
Project Name: 青衣190		Project No: J851		Checked: -		Description: 窗玉组装图	
Shop Drawing No: PRE-CAST ALUM. WINDOW & LOUVRE		Rev: -		Date: 15-02-2020		Drawn: W.E.X	
Material: -		Finish: -		Tolerance: ±0.5		Projection:	
Site:		Date: -		Date: -		Date: -	
Assembly No: J851-SH04R		Rev: B		MIDI Aluminium Fabricator Ltd.			



序号	料号	加工	长度	数量/幅
4	X856780	-	535.5	2
3	X856780	-	1657.5	2
2	X856804	45°斜口	640	2
1	X856804	45°斜口	1730	2

注: 1) 采用SS601-16"扇撑;  
2) 窗玉玻璃线横碰企, 长度已扣减0.5mm;  
3) 采用东城202-06锁点;

序号	窗号	数量(幅)
2	T2-W32R	3
1	T1-W32R	3



Project Name: 青衣190  
 Project No: J851  
 Drawn: W.E.X  
 Date: 15-02-2020  
 Description: 窗玉组装图  
 Material: -  
 Finish: -  
 Tolerance: ±0.5  
 Projection:

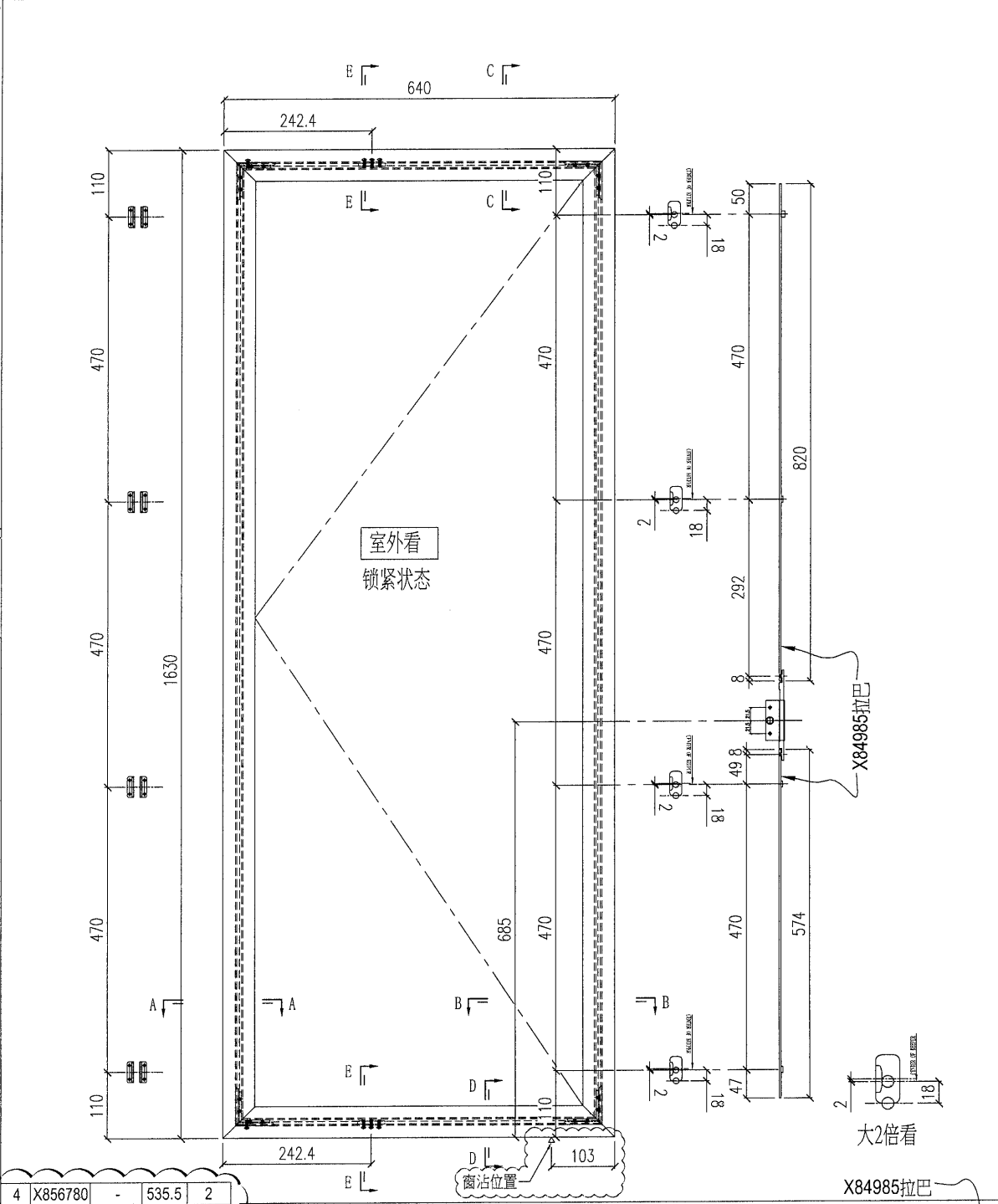
Remarks:  
 Stop Drawing No: PRE-CAST ALUM. WINDOW & LOUVRE  
 Rev: -

Checked: -  
 Date: -

Delivery Date: -  
 Delivery Rev: -

Site: Factory  
 Assembly No: J851-SH05L  
 Rev: B

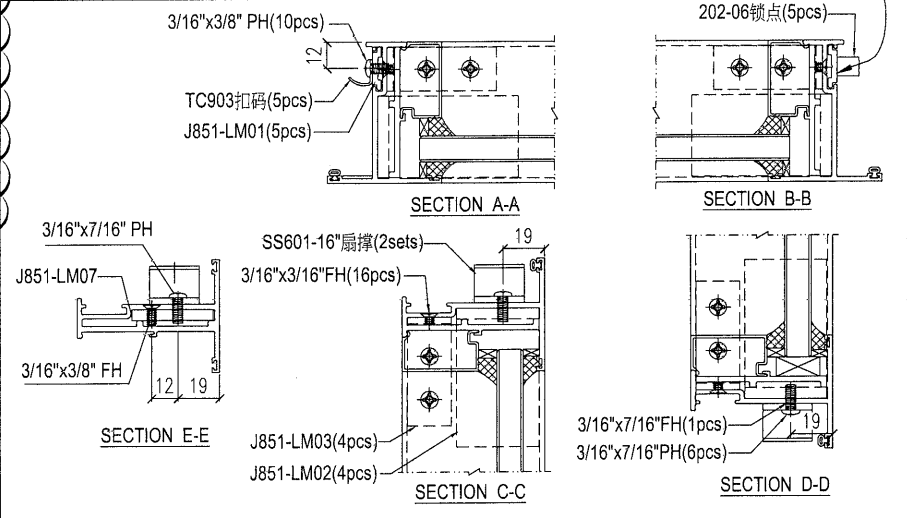
MIDI Aluminium Fabricator Ltd.



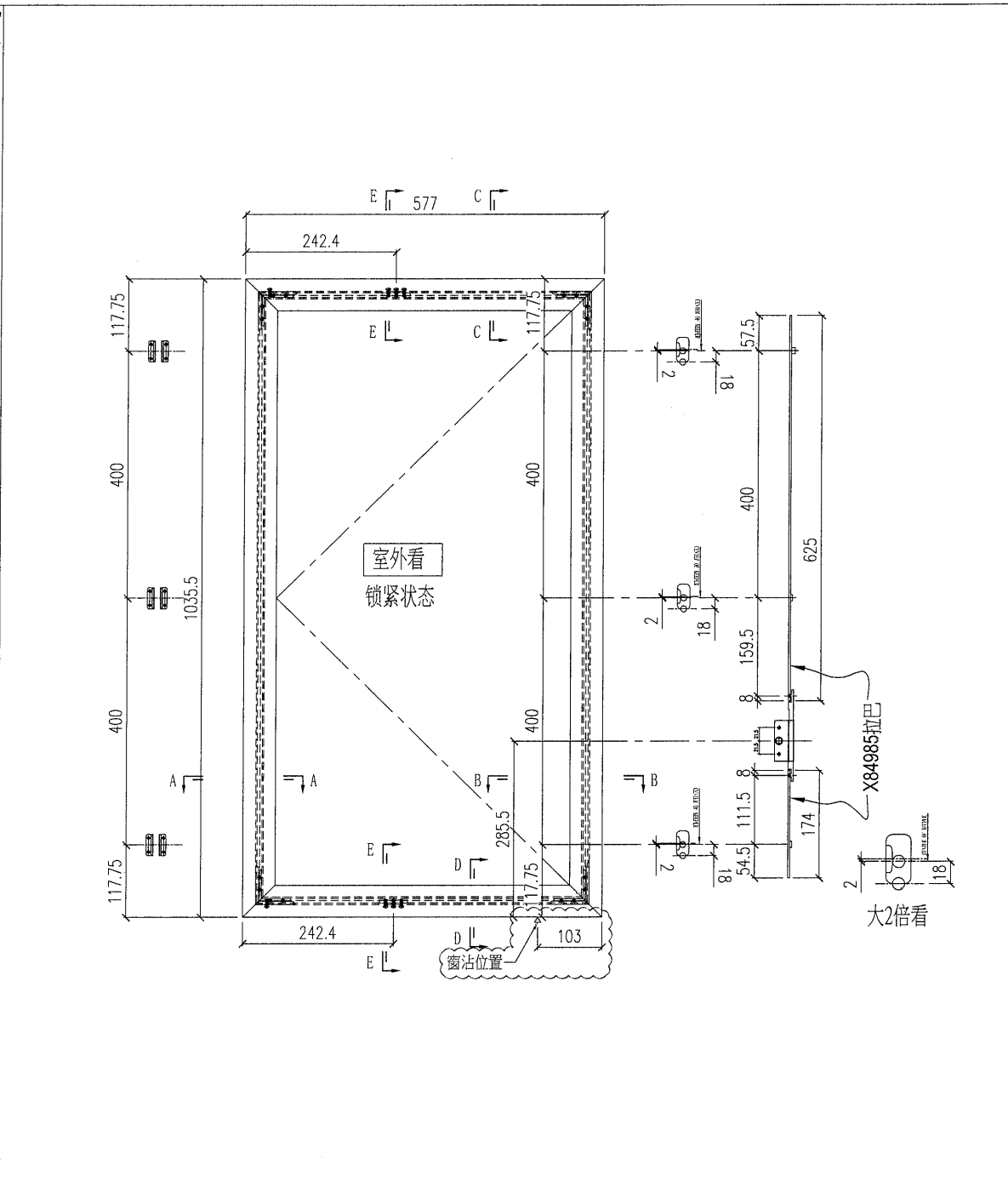
序号	料号	加工	长度	数量/幅
4	X856780	-	535.5	2
3	X856780	-	1557.5	2
2	X856804	45°斜口	640	2
1	X856804	45°斜口	1630	2

注: 1) 采用SS601-16"扇撑;  
 2) 窗玉玻璃线横碰企, 长度已扣减0.5mm;  
 3) 采用东城202-06锁点;

序号	窗号	数量(幅)
1	T1-W44	1



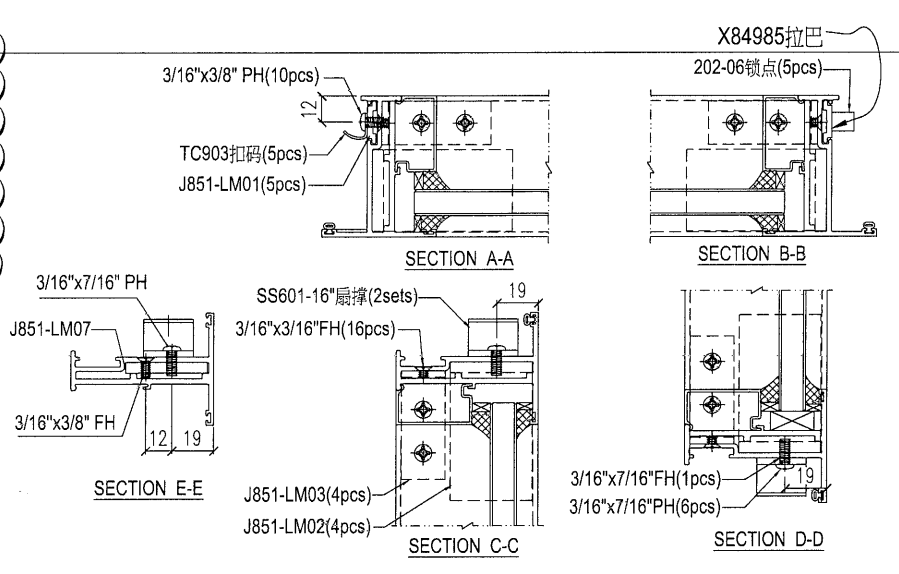
Project Name: 青衣190		Project No: J851		Checked: -		Description: 窗玉组装图	
Shop Drawing No: PRE-CAST ALUM. WINDOW & LOUVRE		Rev: -		Date: 15-02-2020		Drawn: W.E.X	
Material: -		Finish: -		Tolerance: ±0.5		Projection: 1st Angle	
Site: Factory		Assembly No: J851-SH06L		Rev: B		MIDI Aluminium Fabricator Ltd.	



序号	料号	加工	长度	数量/幅
4	X856780	-	472.5	2
3	X856780	-	963	2
2	X856804	45°斜□	577	2
1	X856804	45°斜□	1035.5	2

注: 1) 采用SS601-16"扇撑;  
2) 窗玉玻璃线横碰企, 长度已扣减0.5mm;  
3) 采用东城202-06锁点;

序号	窗号	数量 (幅)
2	T2-W15	54
1	T1-W15	26



Project Name: 青衣190  
 Project No: J851  
 Drawn: W.E.X  
 Date: 15-02-2020  
 Description: 窗玉组装图  
 Material: -  
 Finish: -  
 Tolerance: ±0.5  
 Projection:

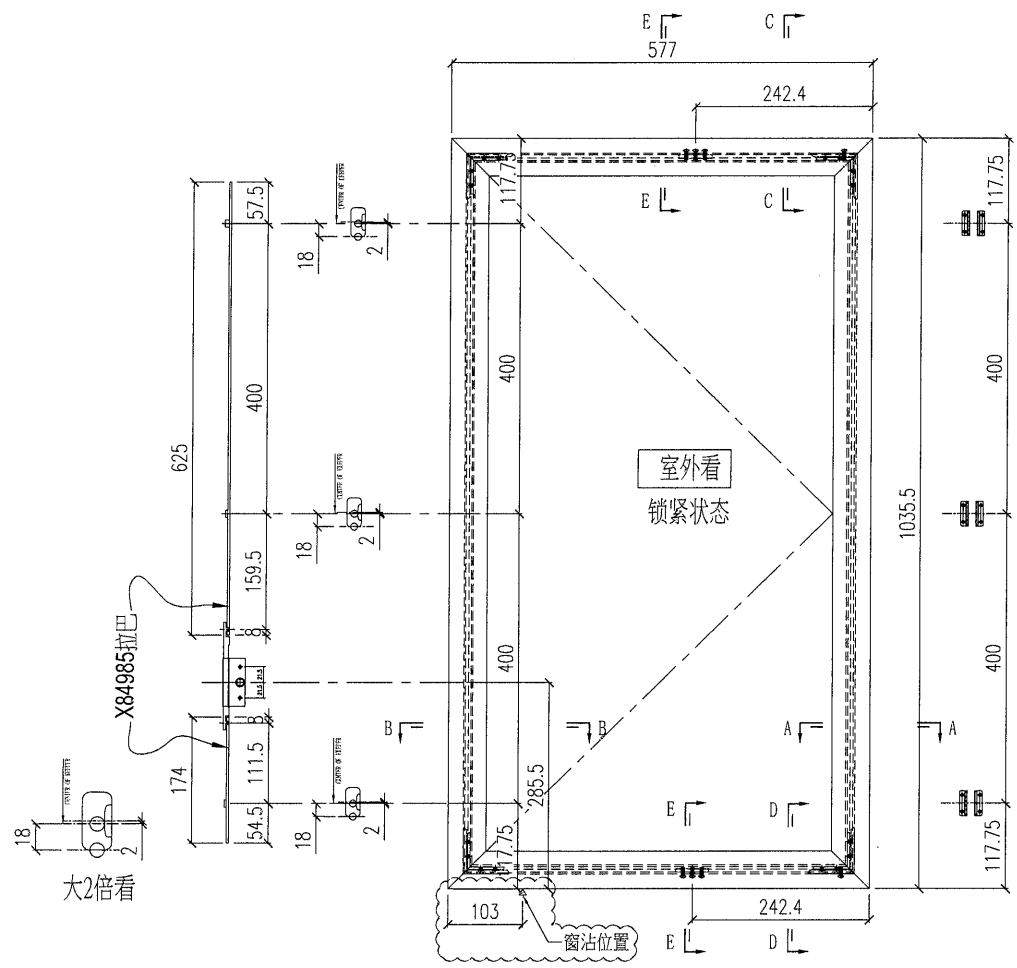
Checked: -  
 Date: -  
 Date: 15-02-2020  
 Date: -  
 Date: -  
 Date: -

Remarks:

Stop Drawing No. PRE-CAST ALUM. WINDOW & LOUVRE  
 Rev. -  
 Project No. J851  
 Drawn: W.E.X  
 Date: 15-02-2020  
 Description: 窗玉组装图  
 Material: -  
 Finish: -  
 Tolerance: ±0.5  
 Projection:

Site: Factory  
 Assembly No. J851-SH06R  
 Rev. B

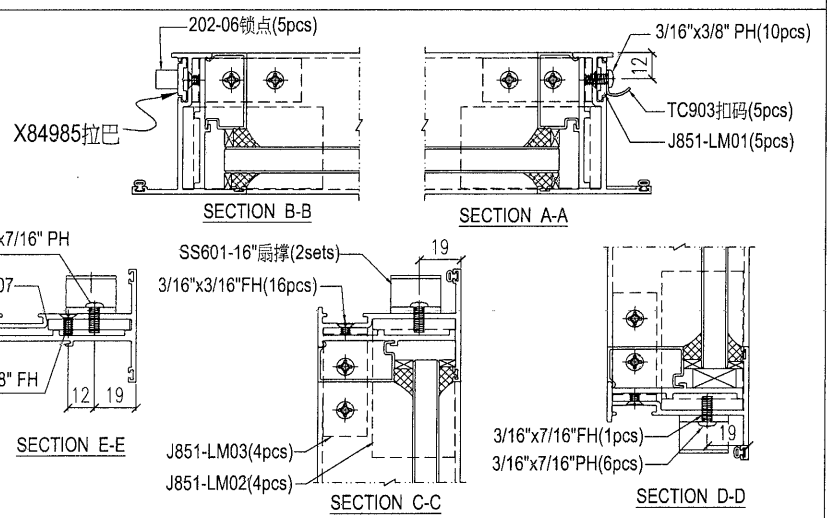
MIDI Aluminium Fabricator Ltd.

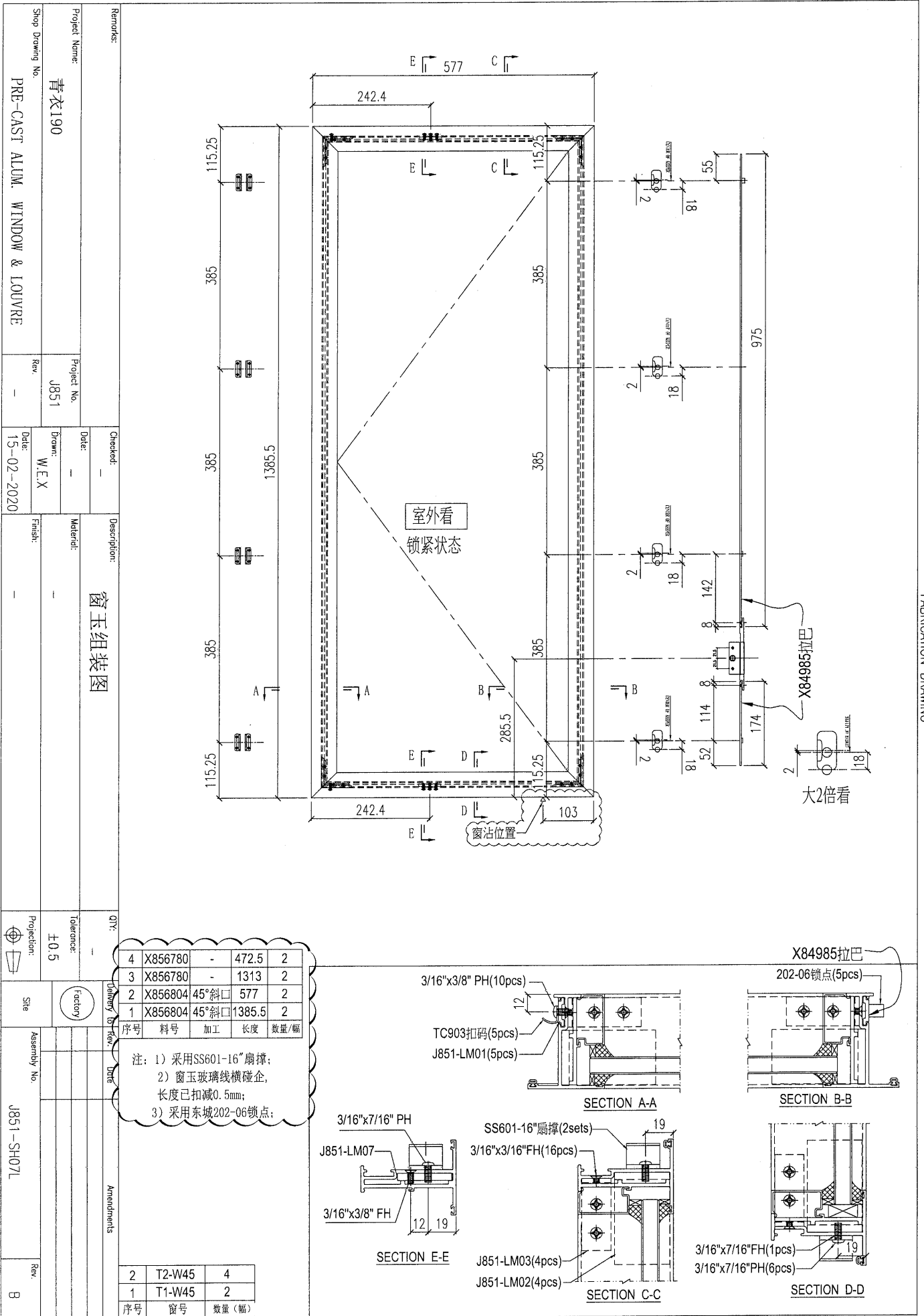


序号	料号	加工	长度	数量/幅
4	X856780	-	472.5	2
3	X856780	-	963	2
2	X856804	45°斜口	577	2
1	X856804	45°斜口	1035.5	2

注: 1) 采用SS601-16"扇撑;  
 2) 窗玉玻璃线横碰企, 长度已扣减0.5mm;  
 3) 采用东城202-06锁点;

序号	窗号	数量(幅)
2	T2-W15	27
1	T1-W15	52





Remarks: 窗玉组装图

Project Name: 青衣190  
 Project No: J851  
 Checked: -  
 Date: -  
 Drawn: W.E.X  
 Date: 15-02-2020  
 Material: -  
 Finish: -  
 Tolerance: ±0.5  
 Projection:

Shop Drawing No: PRE-CAST ALUM. WINDOW & LOUVRE  
 Rev: -  
 Date: 15-02-2020  
 Project No: J851  
 Drawn: W.E.X  
 Date: 15-02-2020  
 Material: -  
 Finish: -  
 Tolerance: ±0.5  
 Projection:

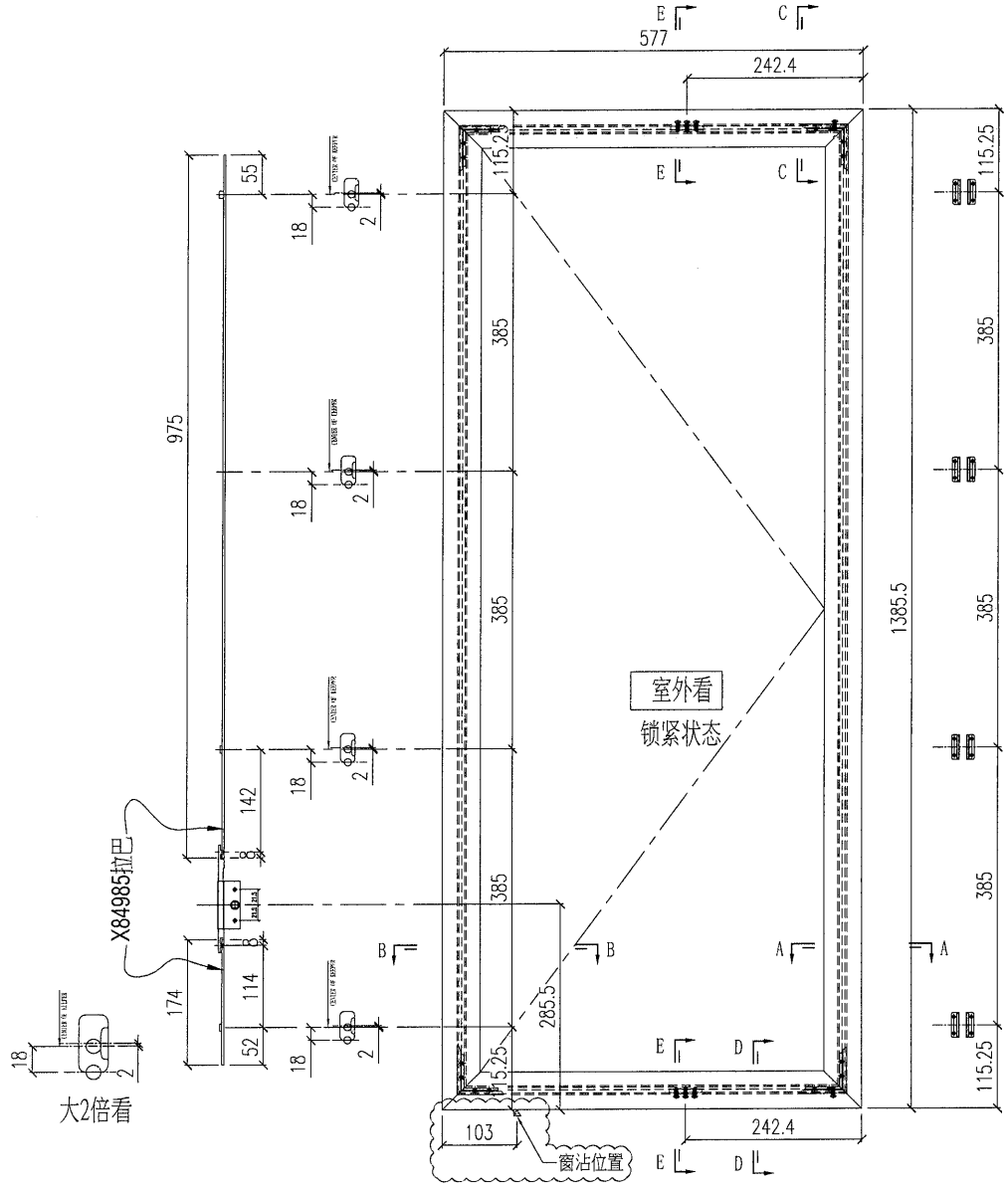
序号	料号	加工	长度	数量/幅
4	X856780	-	472.5	2
3	X856780	-	1313	2
2	X856804	45°斜口	577	2
1	X856804	45°斜口	1385.5	2

注: 1) 采用SS601-16"扇撑;  
 2) 窗玉玻璃线横碰企, 长度已扣减0.5mm;  
 3) 采用东城202-06锁点;

序号	窗号	数量(幅)
2	T2-W45	4
1	T1-W45	2

Assembly No: J851-SH07L  
 Rev: B  
 M/D Aluminium Fabricator Ltd.

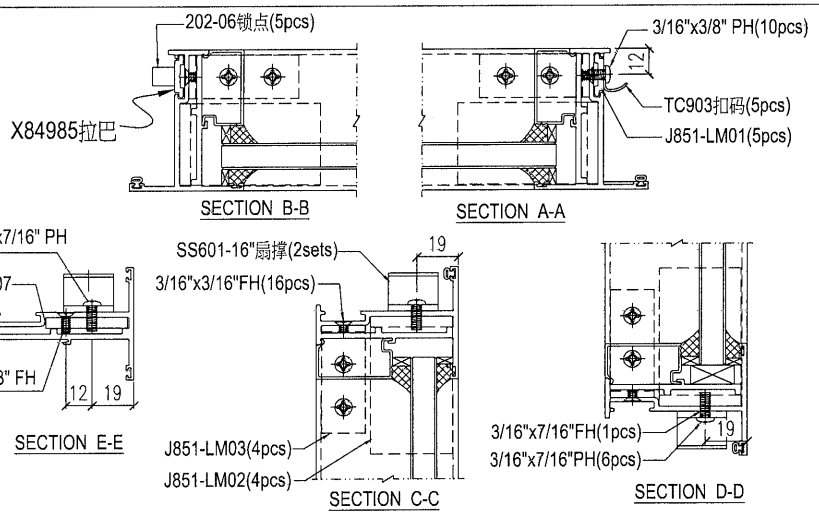
Project Name: 青衣190		Project No: J851	
Shop Drawing No: PRE-CAST ALUM. WINDOW & LOUVRE		Rev: -	
Checked: -	Date: -	Drawn: W.E.X	Date: 15-02-2020
Description: 窗玉组装图			
Material: -			
Finish: -			
QTY: -	Tolerance: ±0.5	Projection:	Site: Factory
Delivery to Rev: -		Date: -	
Assembly No: J851-SH07R		Rev: B	
MIDI Aluminium Fabricator Ltd.			



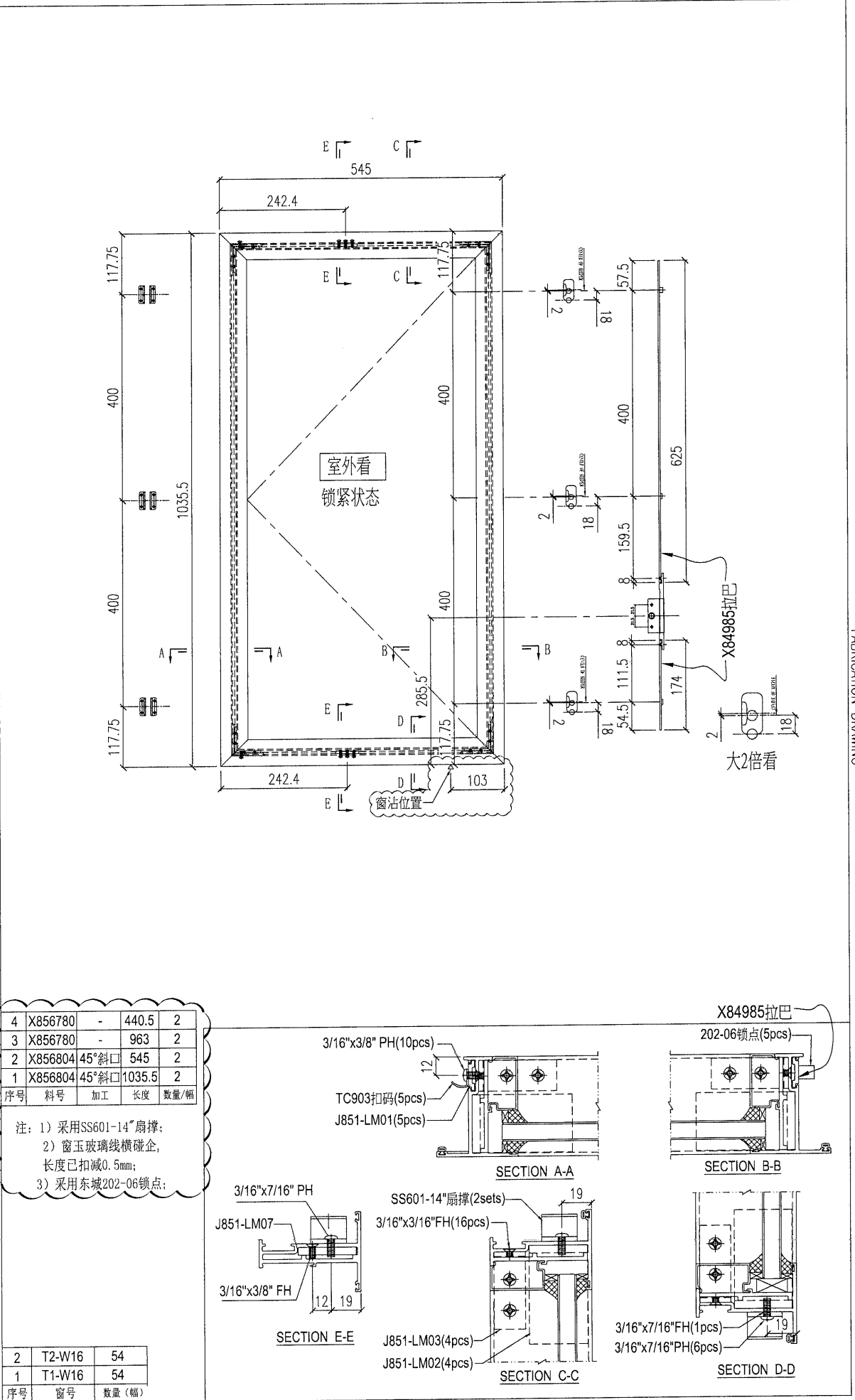
序号	料号	加工	长度	数量/框
4	X856780	-	472.5	2
3	X856780	-	1313	2
2	X856804	45°斜口	577	2
1	X856804	45°斜口	1385.5	2

注: 1) 采用SS601-16"扇撑;  
2) 窗玉玻璃线横碰企, 长度已扣减0.5mm;  
3) 采用东城202-06锁点;

序号	窗号	数量(框)
2	T2-W45	2
1	T1-W45	4



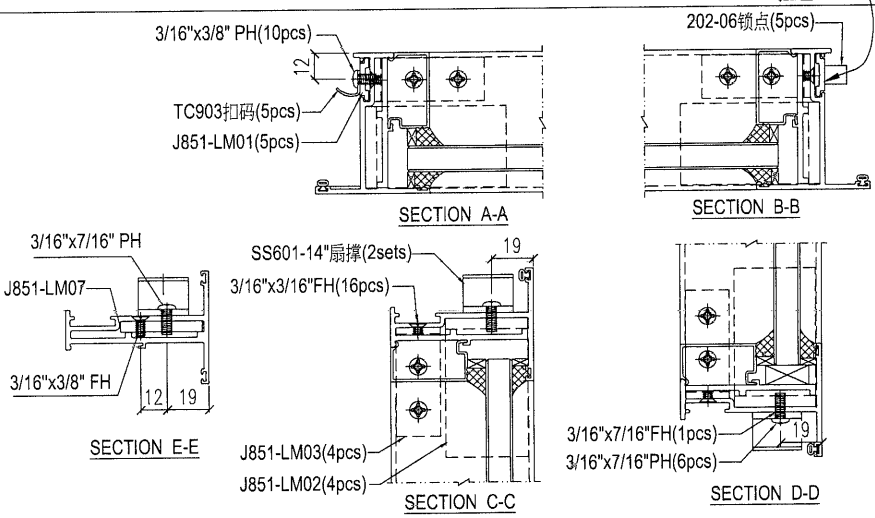
Project Name: 青衣190		Project No: J851	
Checked: -		Date: -	
Description: 窗玉组装图		Material: -	
Drawn: W.E.X		Date: 15-02-2020	
Finish: -		Date: -	
Tolerance: ±0.5		Projection:	
Site: (Factory)		Delivery to: -	
Assembly No: J851-SH08L		Date: -	
Rev: B		Date: -	



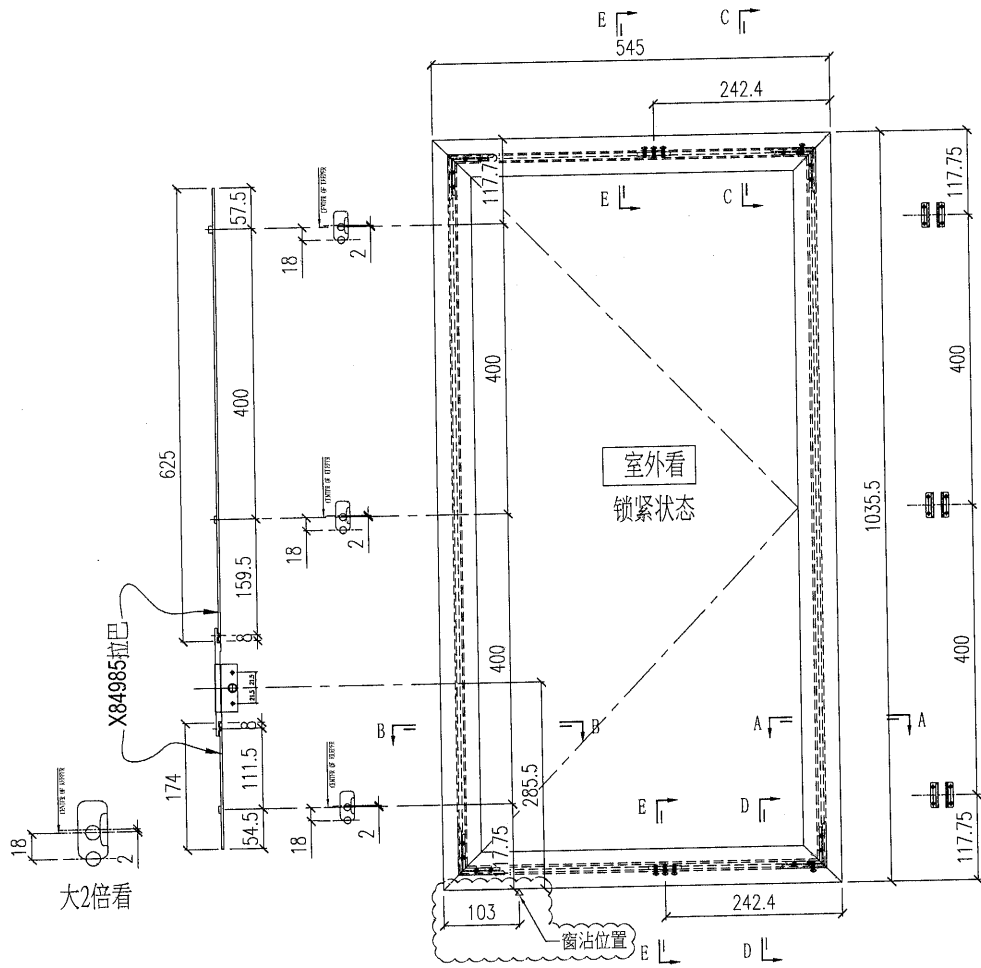
序号	料号	加工	长度	数量/幅
4	X856780	-	440.5	2
3	X856780	-	963	2
2	X856804	45°斜口	545	2
1	X856804	45°斜口	1035.5	2

注: 1) 采用SS601-14"扇撑;  
2) 窗玉玻璃线横碰企, 长度已扣减0.5mm;  
3) 采用东城202-06锁点;

序号	窗号	数量(幅)
2	T2-W16	54
1	T1-W16	54

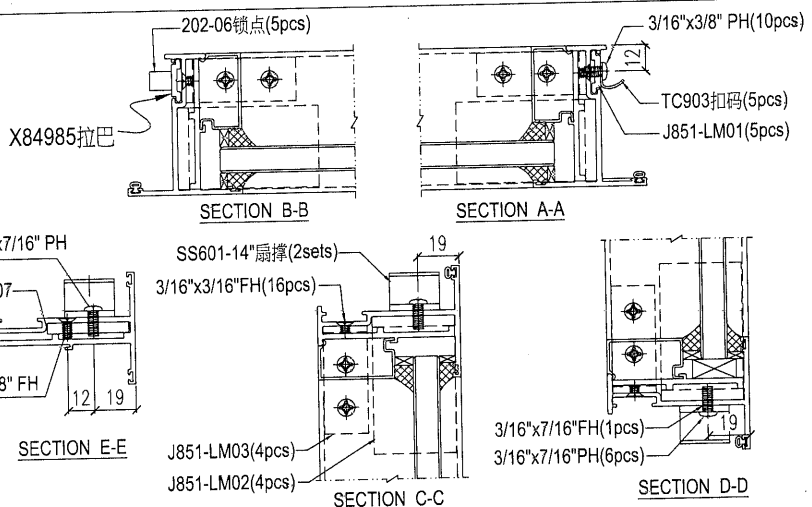


Remarks:		Checked:		Description:	
Project Name:		Date:		窗玉组装图	
Project No.:		Drawn:		Material:	
J851		W.E.X		-	
Shop Drawing No.:		Date:		Finish:	
PRE-CAST ALUM. WINDOW & LOUVER		15-02-2020		-	
Rev.:		Date:		Tolerance:	
-		-		±0.5	
Projection:		Site:		Delivery Date:	
-		Factory		-	
Assembly No.:		Rev.:		Amendments:	
J851-SH08R		B		-	
MIDI Aluminium Fabricator Ltd.					



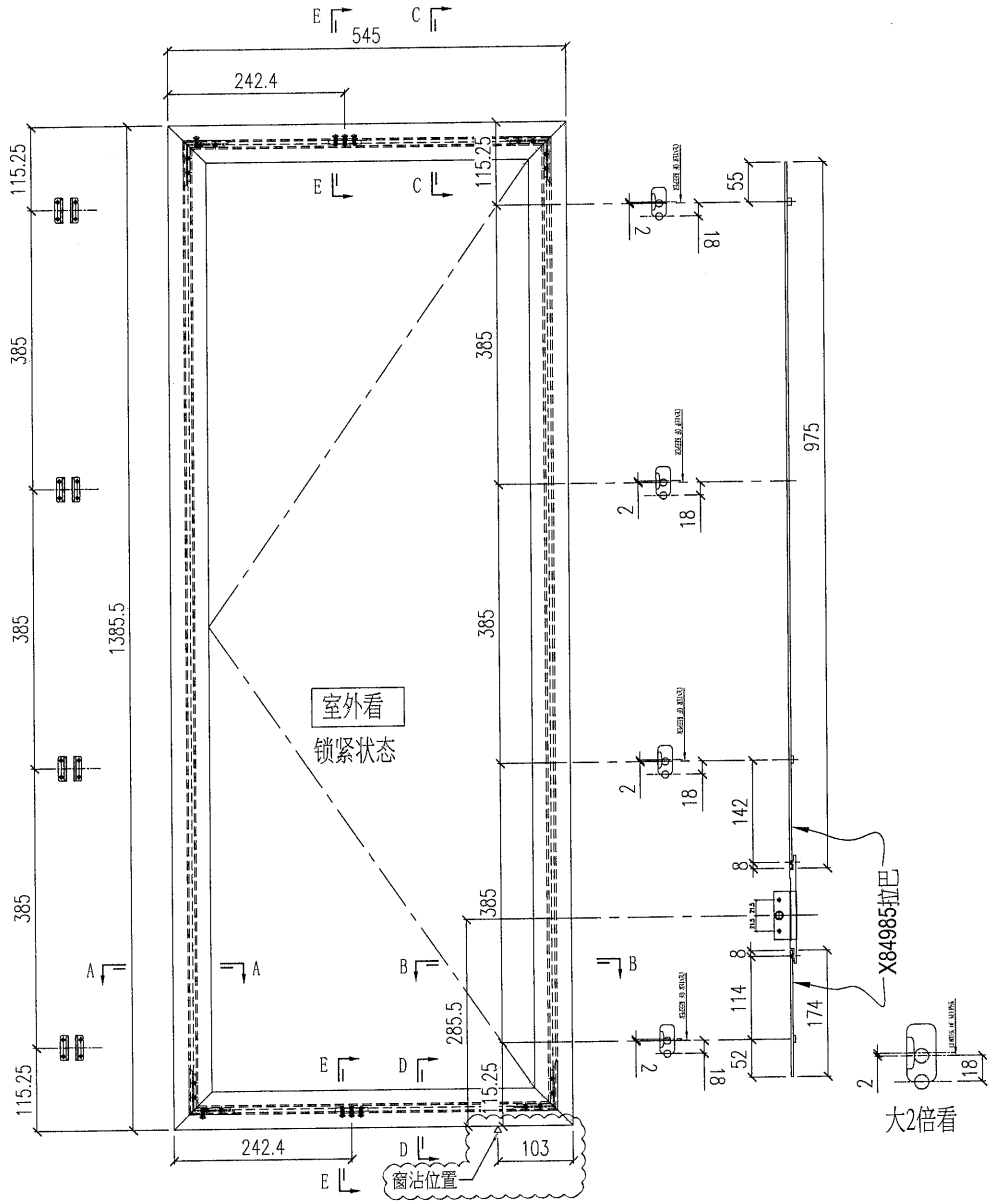
序号	料号	加工	长度	数量/幅
4	X856780	-	440.5	2
3	X856780	-	963	2
2	X856804	45°斜口	545	2
1	X856804	45°斜口	1035.5	2

注: 1) 采用SS601-14"扇撑;  
2) 窗玉玻璃线横碰企, 长度已扣减0.5mm;  
3) 采用东城202-06锁点;



序号	窗号	数量 (幅)
2	T2-W16	54
1	T1-W16	54

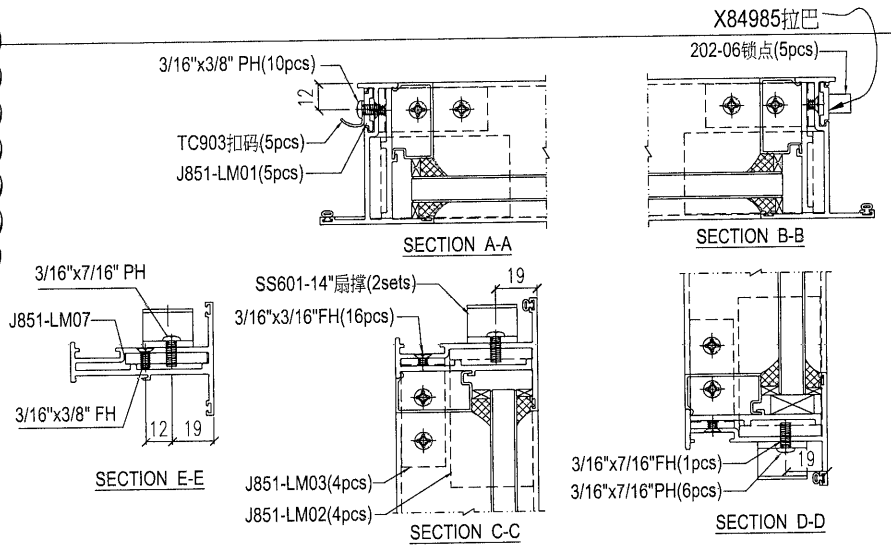
Project Name: 青衣190		Project No: J851		Checked: -		Description: 窗玉组装图	
Shop Drawing No: PRE-CAST ALUM. WINDOW & LOUVRE		Rev: -		Date: 15-02-2020		Drawn: W.E.X	
Material: -		Finish: -		Tolerance: ±0.5		Projection: 1st Angle	
QTY: -		Delivery To: Factory		Date: -		Assembly No: J851-SH09L	
Remarks: -		Amendments: -		Rev: B		MIDI Aluminium Fabricator Ltd.	

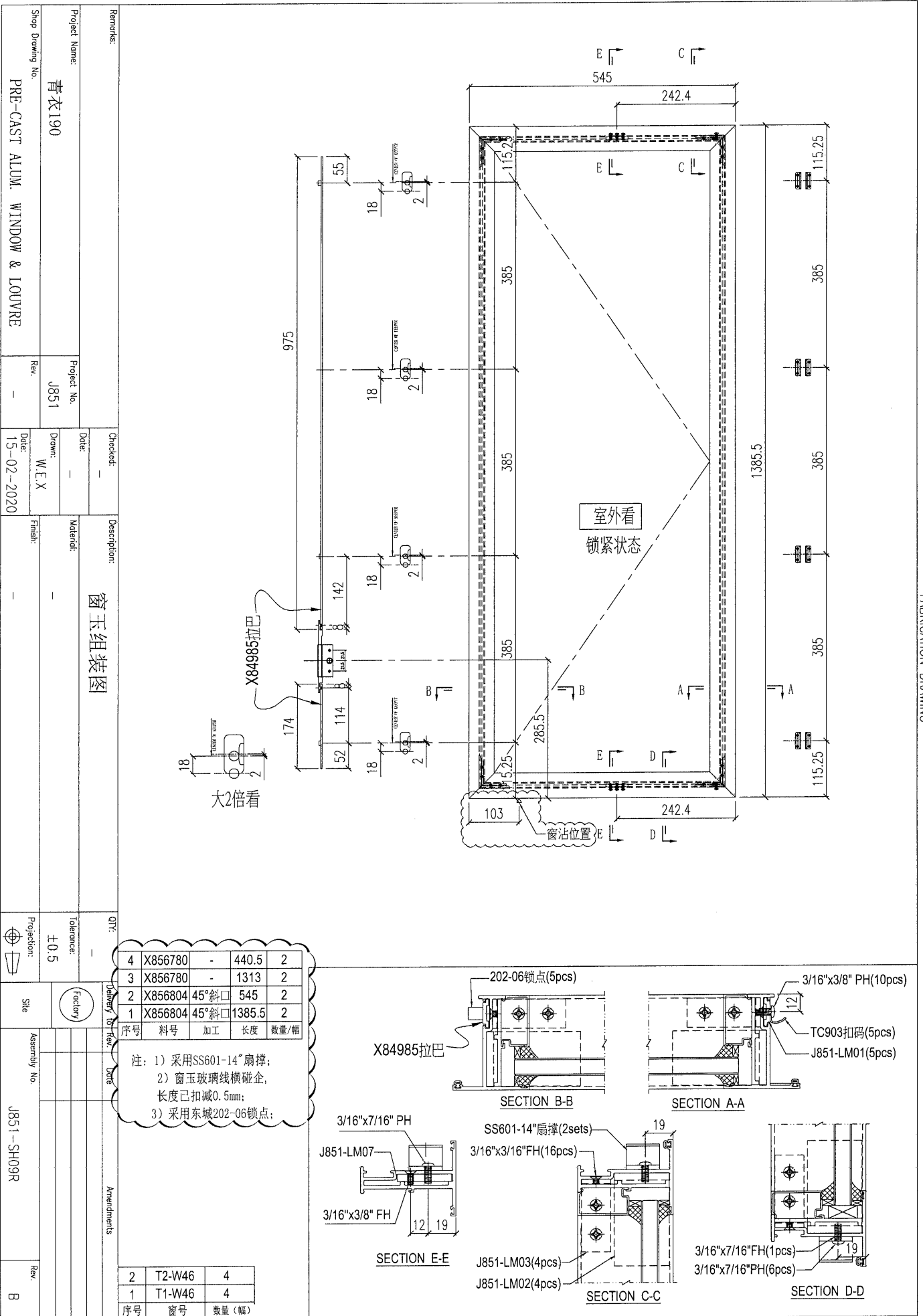


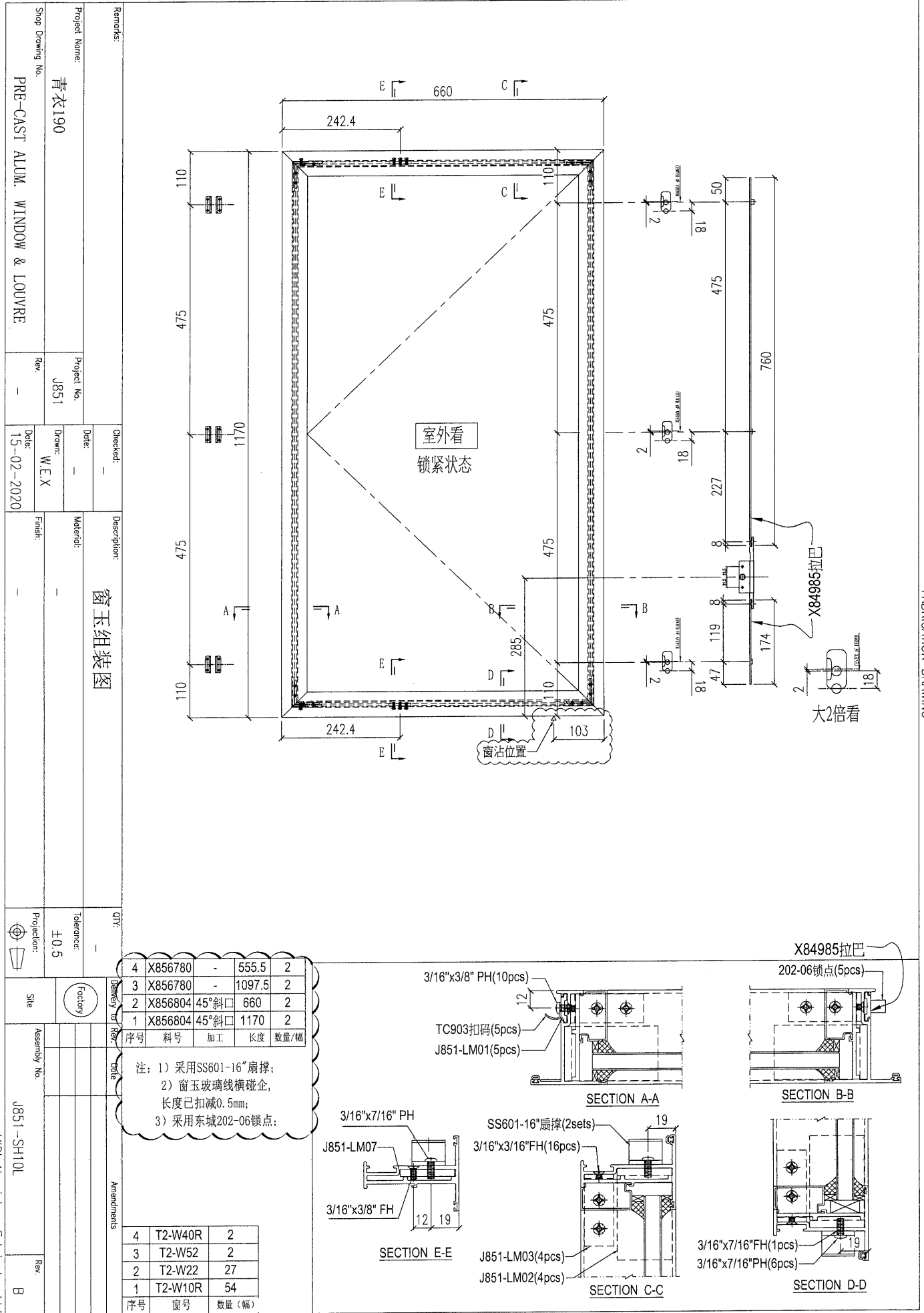
序号	料号	加工	长度	数量/副
4	X856780	-	440.5	2
3	X856780	-	1313	2
2	X856804	45°斜口	545	2
1	X856804	45°斜口	1385.5	2

注: 1) 采用SS601-14"扇撑;  
2) 窗玉玻璃线横碰企, 长度已扣减0.5mm;  
3) 采用东城202-06锁点;

序号	窗号	数量(幅)
2	T2-W46	4
1	T1-W46	4







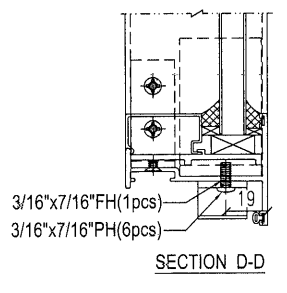
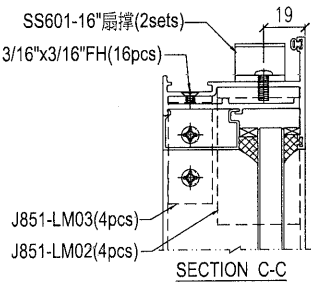
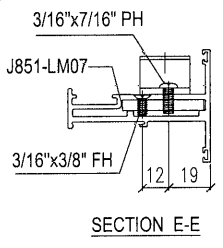
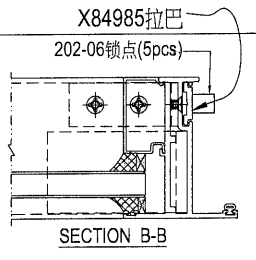
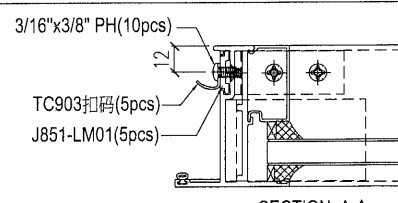
窗玉组装图

Project Name:	青衣190	Project No.:	J851
Shop Drawing No.:	PRE-CAST ALUM. WINDOW & LOUVRE	Rev.:	-
Checked:	-	Date:	-
Drawn:	W.E.X	Date:	15-02-2020
Material:	-	Finish:	-
QTY:	-	Tolerance:	±0.5
Projection:	1st Angle	Site:	Factory
Assembly No.:	J851-SH10L	Rev.:	B

序号	料号	加工	长度	数量/幅
4	X856780	-	555.5	2
3	X856780	-	1097.5	2
2	X856804	45°斜□	660	2
1	X856804	45°斜□	1170	2

注: 1) 采用SS601-16"扇撑;  
 2) 窗玉玻璃线横碰企, 长度已扣减0.5mm;  
 3) 采用东城202-06锁点;

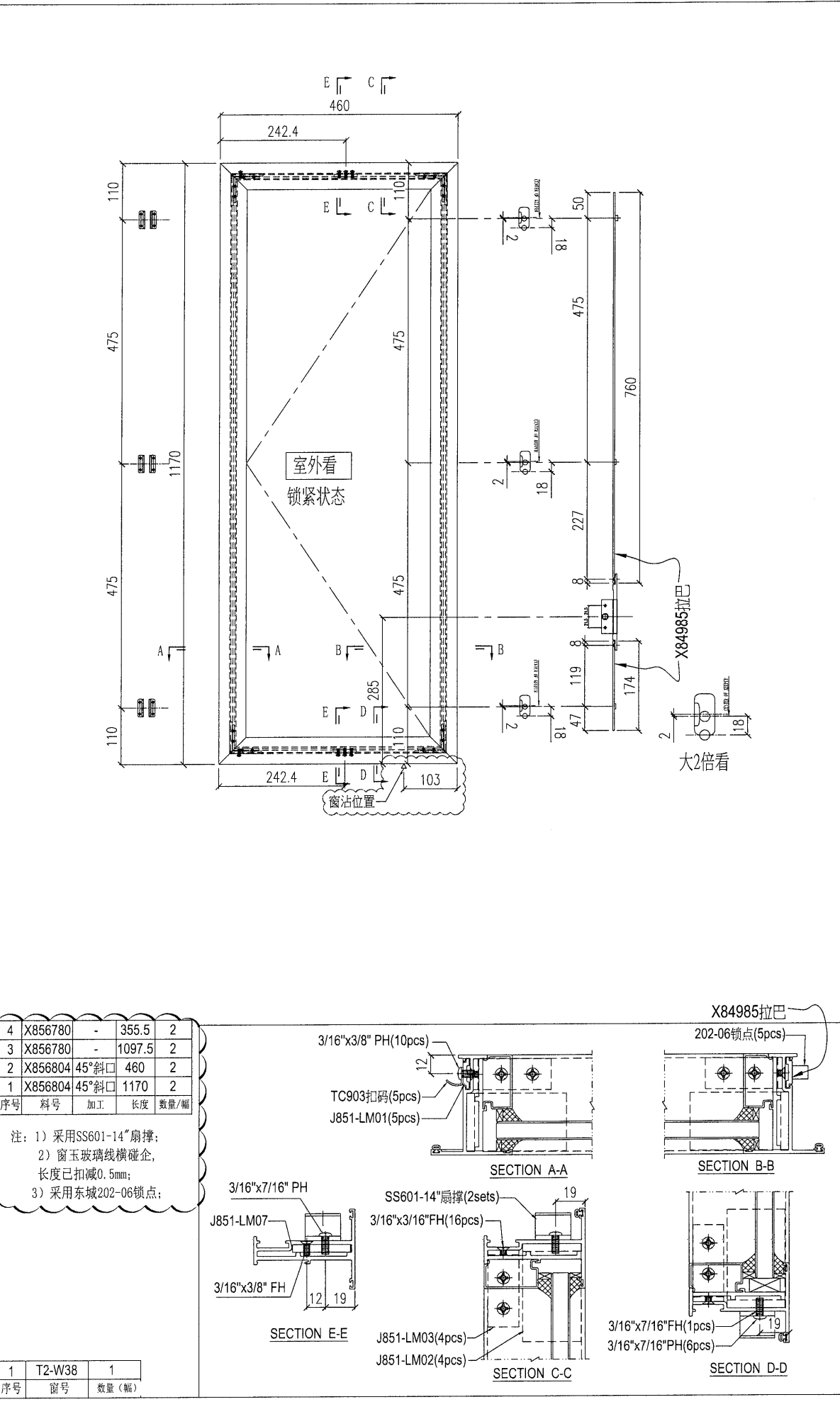
序号	窗号	数量(幅)
4	T2-W40R	2
3	T2-W52	2
2	T2-W22	27
1	T2-W10R	54



MIDI Aluminium Fabricator Ltd.

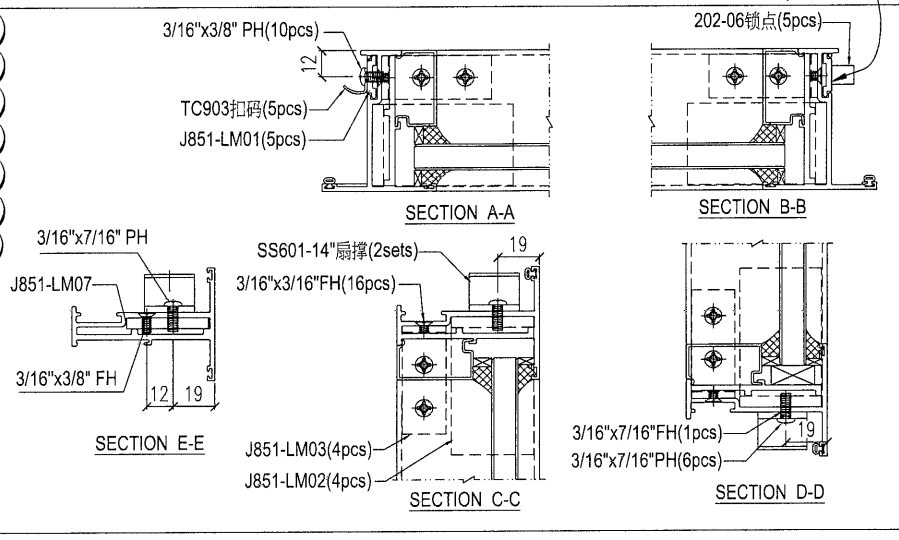


Project Name: 青衣190		Project No: J851		Checked: -		Description: 窗玉组装图	
Shop Drawing No: PRE-CAST ALUM. WINDOW & LOUVRE		Rev: -		Date: 15-02-2020		Drawn: W.E.X	
Material: -		Finish: -		Tolerance: ±0.5		Projection: 1st Angle	
Site: Factory		Assembly No: J851-SH11L		Rev: B		MIDI Aluminium Fabricator Ltd.	



序号	料号	加工	长度	数量/幅
4	X856780	-	355.5	2
3	X856780	-	1097.5	2
2	X856804	45°斜□	460	2
1	X856804	45°斜□	1170	2

注: 1) 采用SS601-14"扇撑;  
2) 窗玉玻璃线横碰企, 长度已扣减0.5mm;  
3) 采用东城202-06锁点;



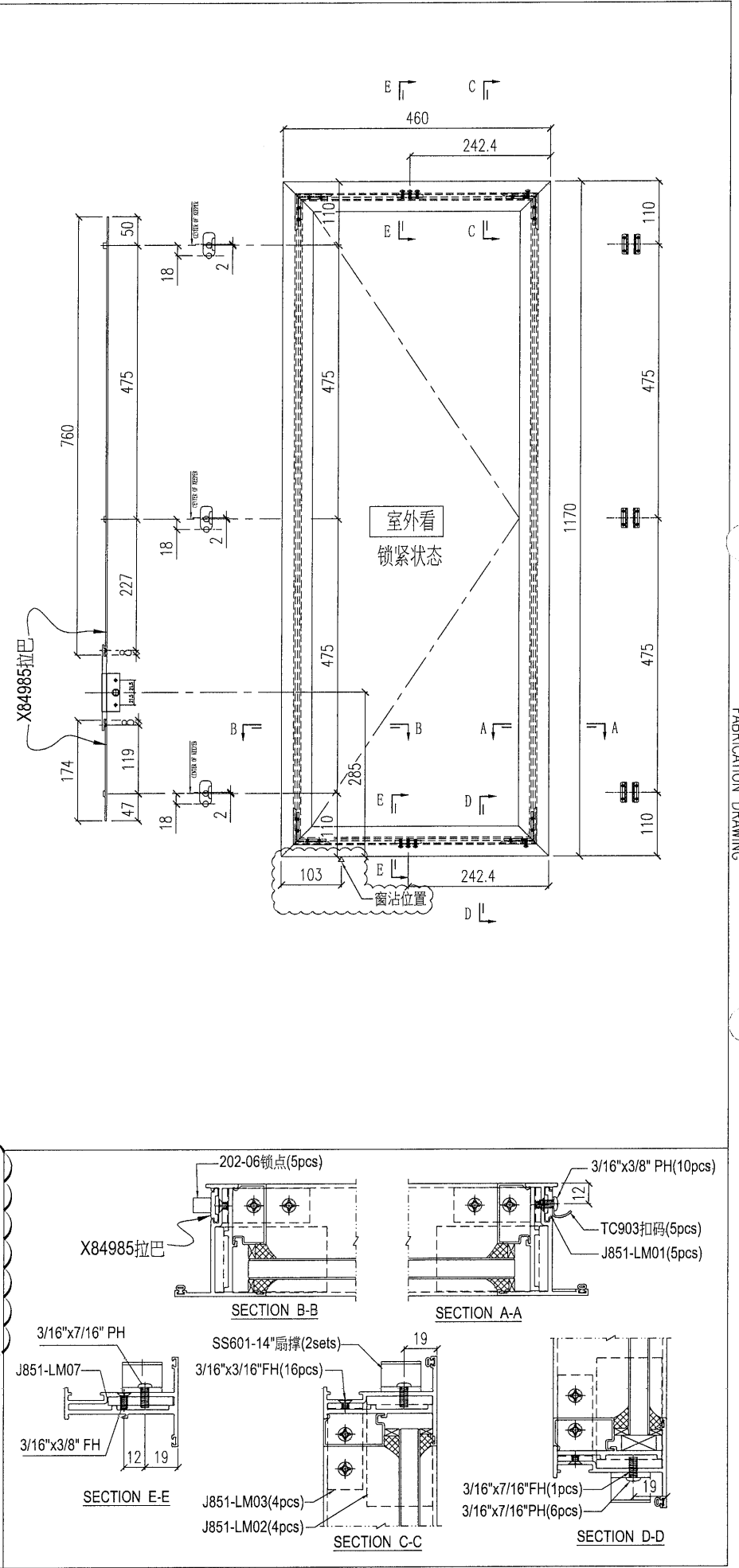
序号	窗号	数量(幅)
1	T2-W38	1

Project Name: 青衣190		Project No: J851		Checked: -		Description: 窗玉组装图	
Shop Drawing No: PRE-CAST ALUM. WINDOW & LOUVER		Rev: -		Date: 15-02-2020		Material: -	
Drawn: W.E.X		Date: 15-02-2020		Finish: -		Tolerance: ±0.5	
Project No: J851		Date: 15-02-2020		Factory: (Logo)		Site: -	
Assembly No: J851-SH11R		Rev: B		MIDI Aluminium Fabricator Ltd.		Remarks:	

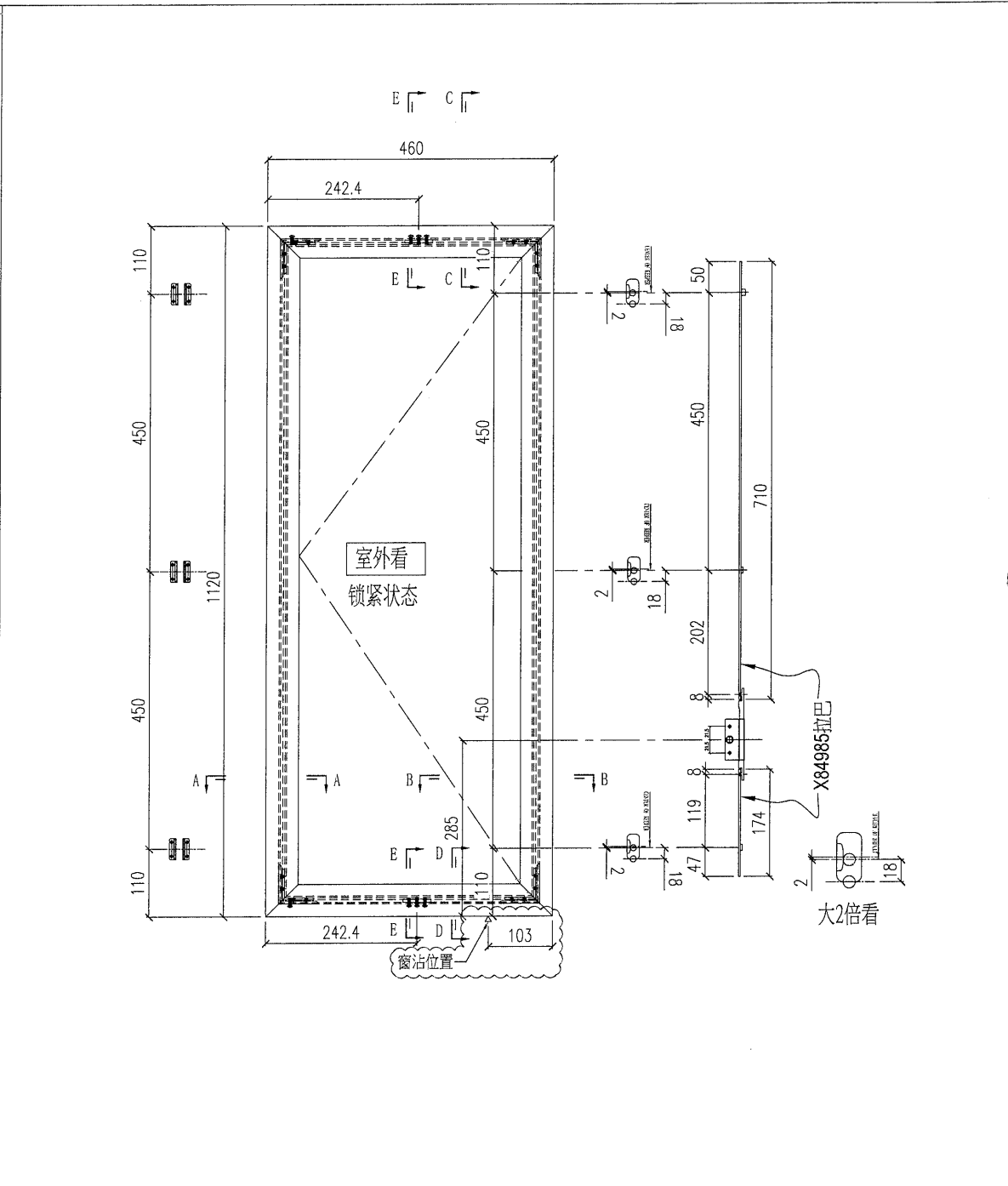
序号	料号	加工	长度	数量/幅
4	X856780	-	355.5	2
3	X856780	-	1097.5	2
2	X856804	45°斜口	460	2
1	X856804	45°斜口	1170	2

注: 1) 采用SS601-14"扇撑;  
2) 窗玉玻璃线横碰企, 长度已扣减0.5mm;  
3) 采用东城202-06锁点;

序号	窗号	数量(幅)
3	T2-W64	2
2	T1-W64	1
1	T1-W66	1



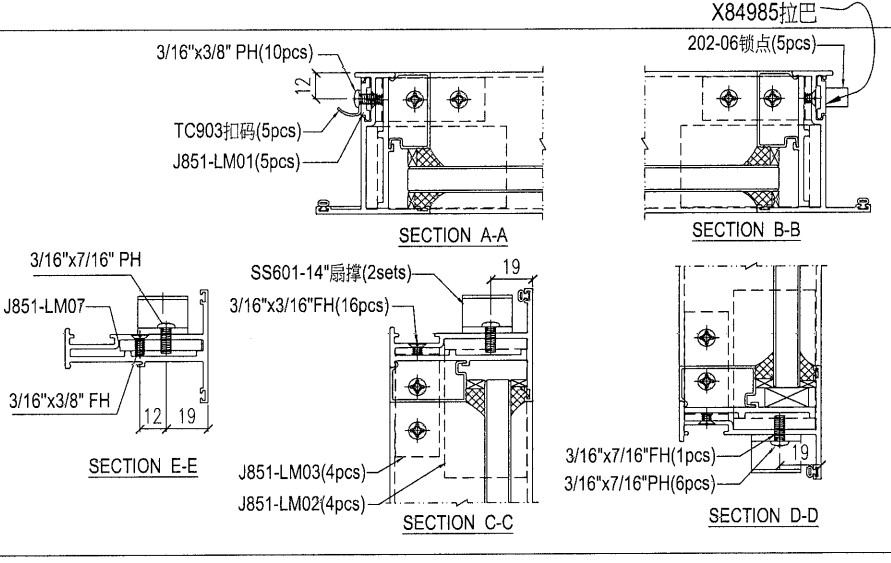
Project Name: 青衣190		Project No: J851		Checked: -		Description: 窗玉组装图	
Shop Drawing No: PRE-CAST ALUM. WINDOW & LOUVRE		Rev: -		Date: 15-02-2020		Drawn: W.E.X	
Material: -		Finish: -		Tolerance: ±0.5		Projection: 1st Angle	
Site: Factory		Assembly No: J851-SH12L		Rev: B		MIDI Aluminium Fabricator Ltd.	

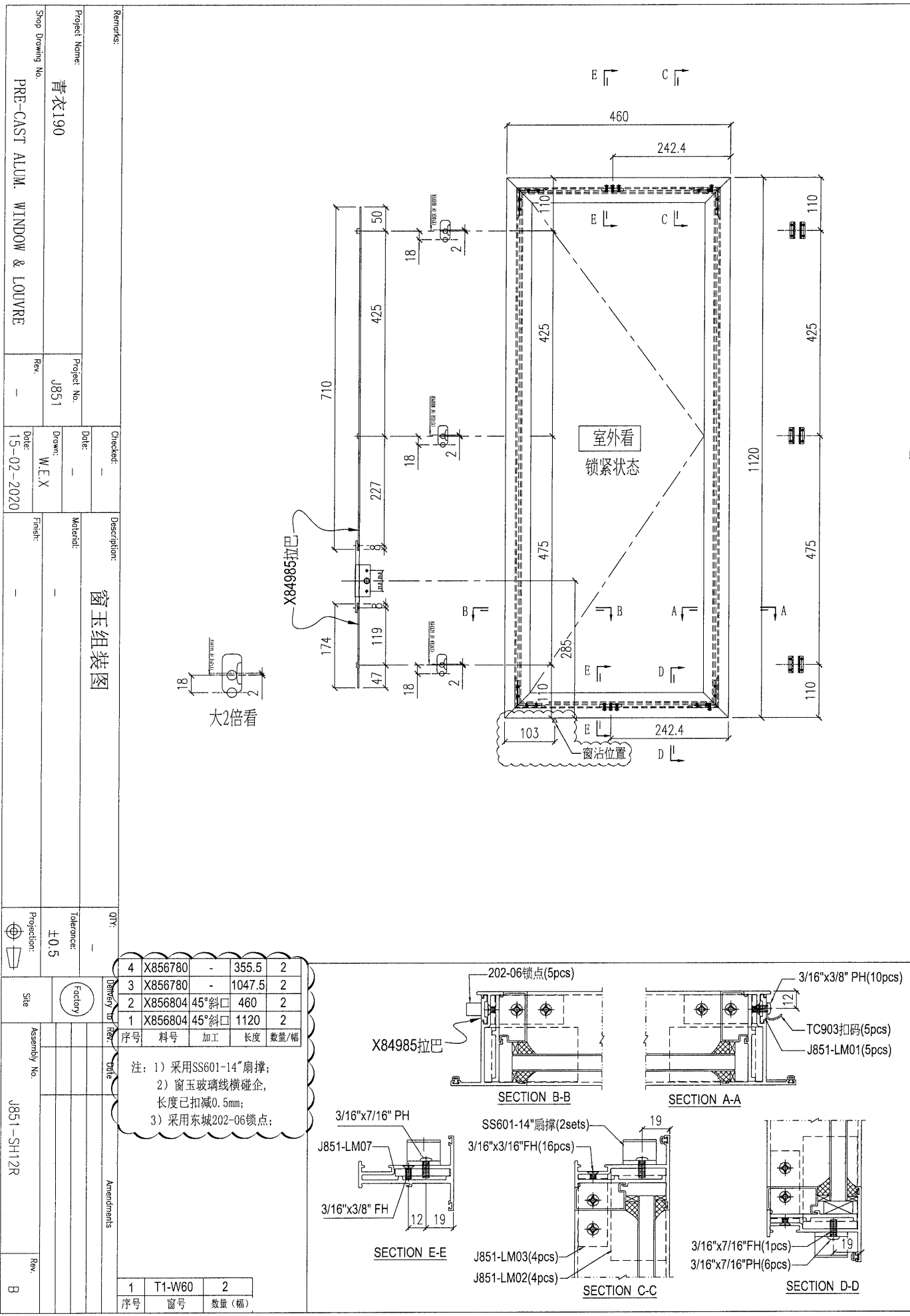


序号	料号	加工	长度	数量/框
4	X856780	-	355.5	2
3	X856780	-	1047.5	2
2	X856804	45°斜□	460	2
1	X856804	45°斜□	1120	2

注: 1) 采用SS601-14"扇撑;  
2) 窗玉玻璃线横碰企, 长度已扣减0.5mm;  
3) 采用东城202-06锁点;

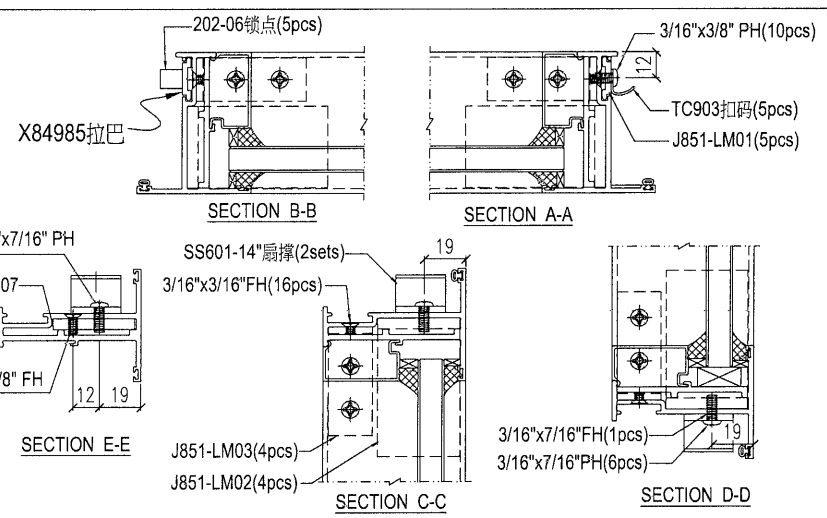
序号	窗号	数量 (幅)
1	T1-W60AR	1





序号	料号	加工	长度	数量/幅
4	X856780	-	355.5	2
3	X856780	-	1047.5	2
2	X856804	45°斜□	460	2
1	X856804	45°斜□	1120	2

注：1) 采用SS601-14"扇撑；  
2) 窗玉玻璃线横碰企，长度已扣减0.5mm；  
3) 采用东城202-06锁点；



序号	窗号	数量(幅)
1	T1-W60	2

Remarks:

Project Name: 青衣190

Project No: J851

Checked: -

Date: -

Drawn: W.E.X

Date: 15-02-2020

Material: 窗玉组装图

Material: -

Finish: -

QTY: -

Tolerance: ±0.5

Projection: -

Site: Factory

Assembly No: J851-SH12R

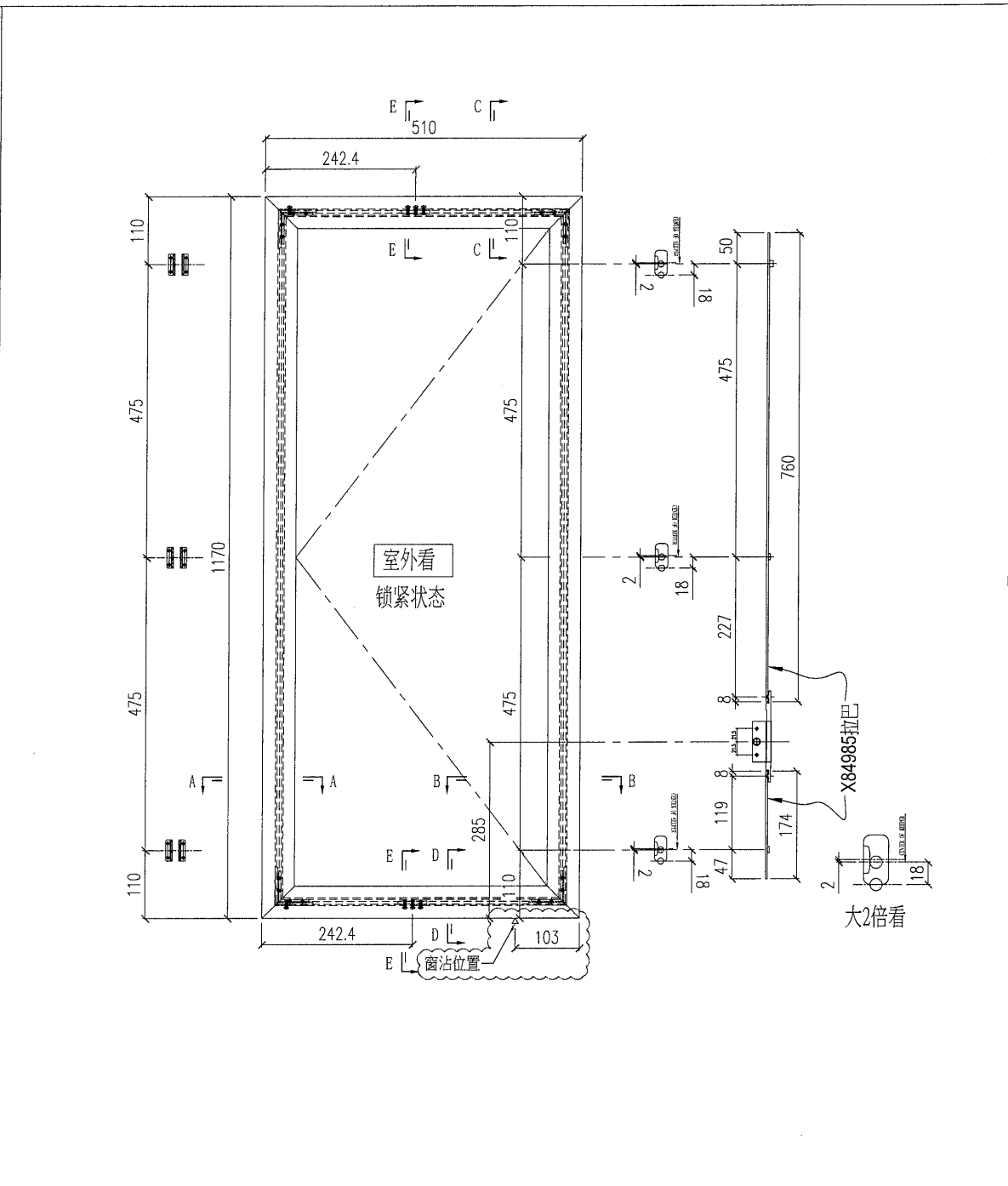
Rev: B

Shop Drawing No: PRE-CAST ALUM. WINDOW & LOUVRE

Project Name: 青衣190  
 Project No: J851  
 Date: 15-02-2020  
 Drawn: W.E.X  
 Checked: -  
 Description: 窗玉组装图  
 Material: -  
 Finish: -  
 Tolerance: ±0.5  
 Projection:

Shop Drawing No: PRE-CAST ALUM. WINDOW & LOUVRE  
 Rev: -  
 Date: 15-02-2020  
 Drawn: W.E.X  
 Checked: -  
 Description: 窗玉组装图  
 Material: -  
 Finish: -  
 Tolerance: ±0.5  
 Projection:

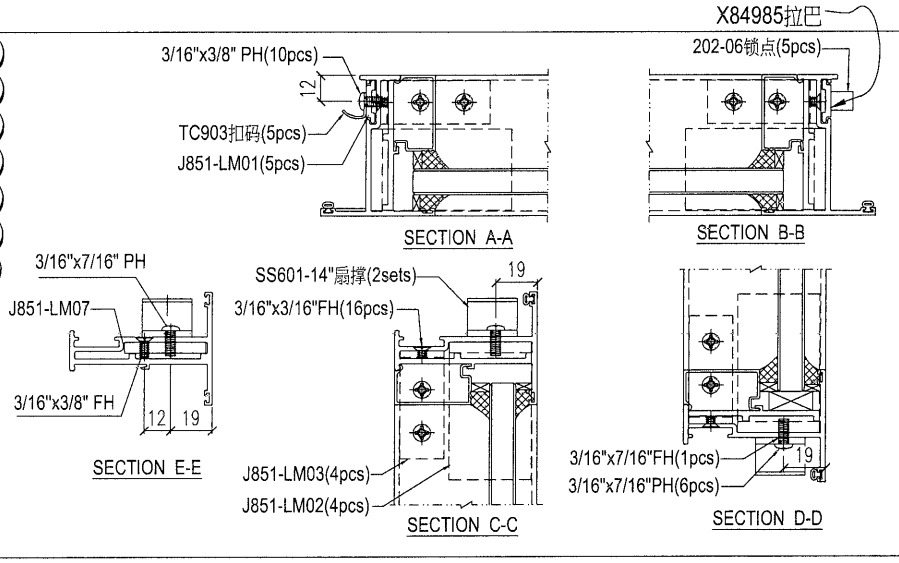
Site: Factory  
 Assembly No: J851-SH13L  
 Rev: B



序号	料号	加工	长度	数量/幅
4	X856780	-	405.5	2
3	X856780	-	1097.5	2
2	X856804	45°斜□	510	2
1	X856804	45°斜□	1170	2

注: 1) 采用SS601-14"扇撑;  
 2) 窗玉玻璃线横碰企, 长度已扣减0.5mm;  
 3) 采用东城202-06锁点;

序号	窗号	数量 (幅)
2	T1-W38	4
1	T1-W8	54



Remarks:

Project Name: 青衣190

Project No: J851

Checked: W.E.X

Date: 15-02-2020

Description: 窗玉组装图

Material: -

Finish: -

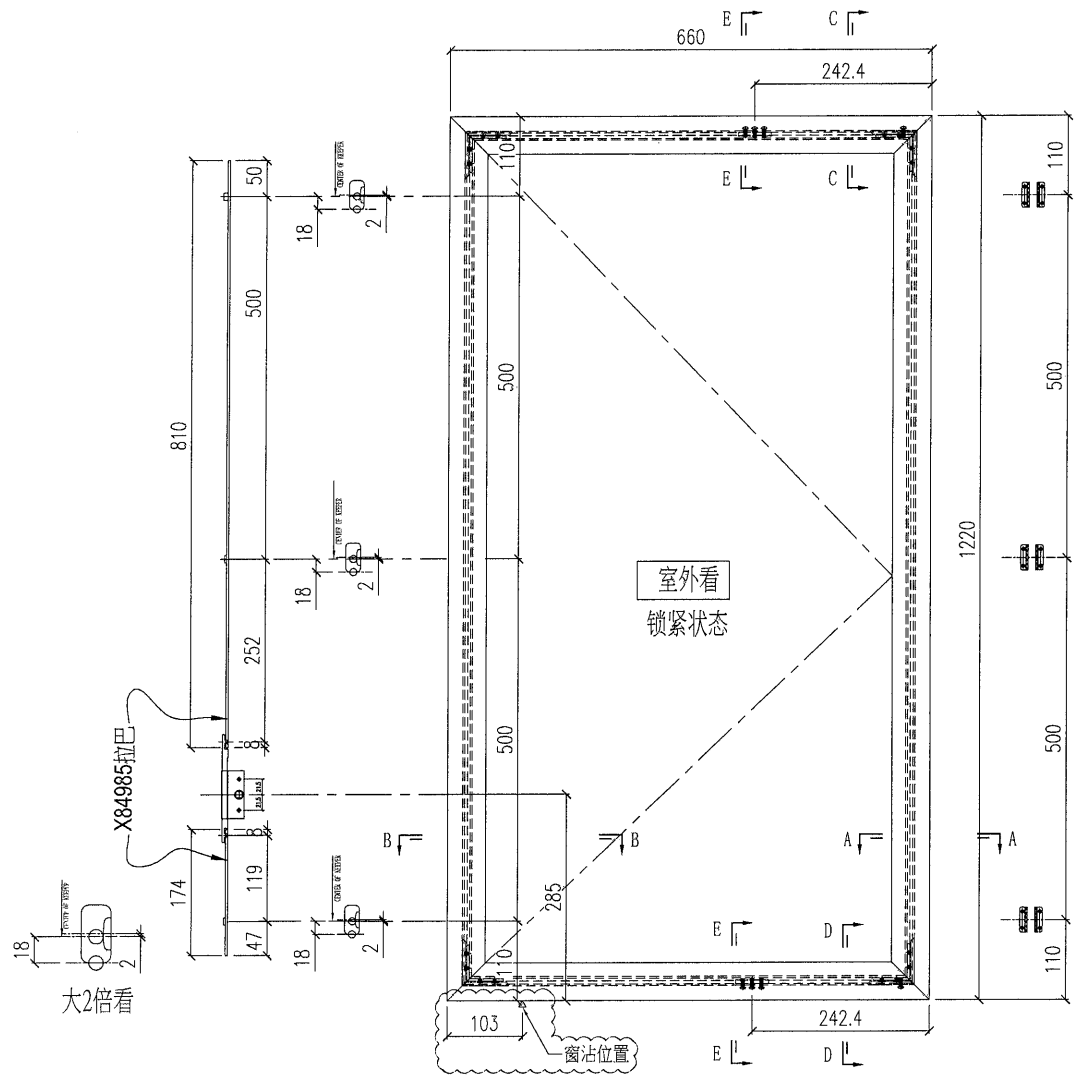
Projection: ±0.5

Site: Factory

Assembly No: J851-SH14R

Rev: B

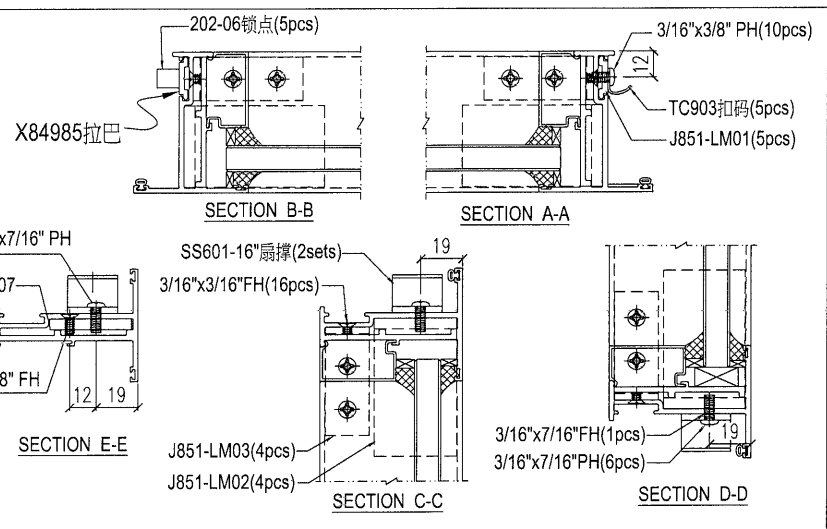
Shop Drawing No: PRE-CAST ALUM. WINDOW & LOUVER

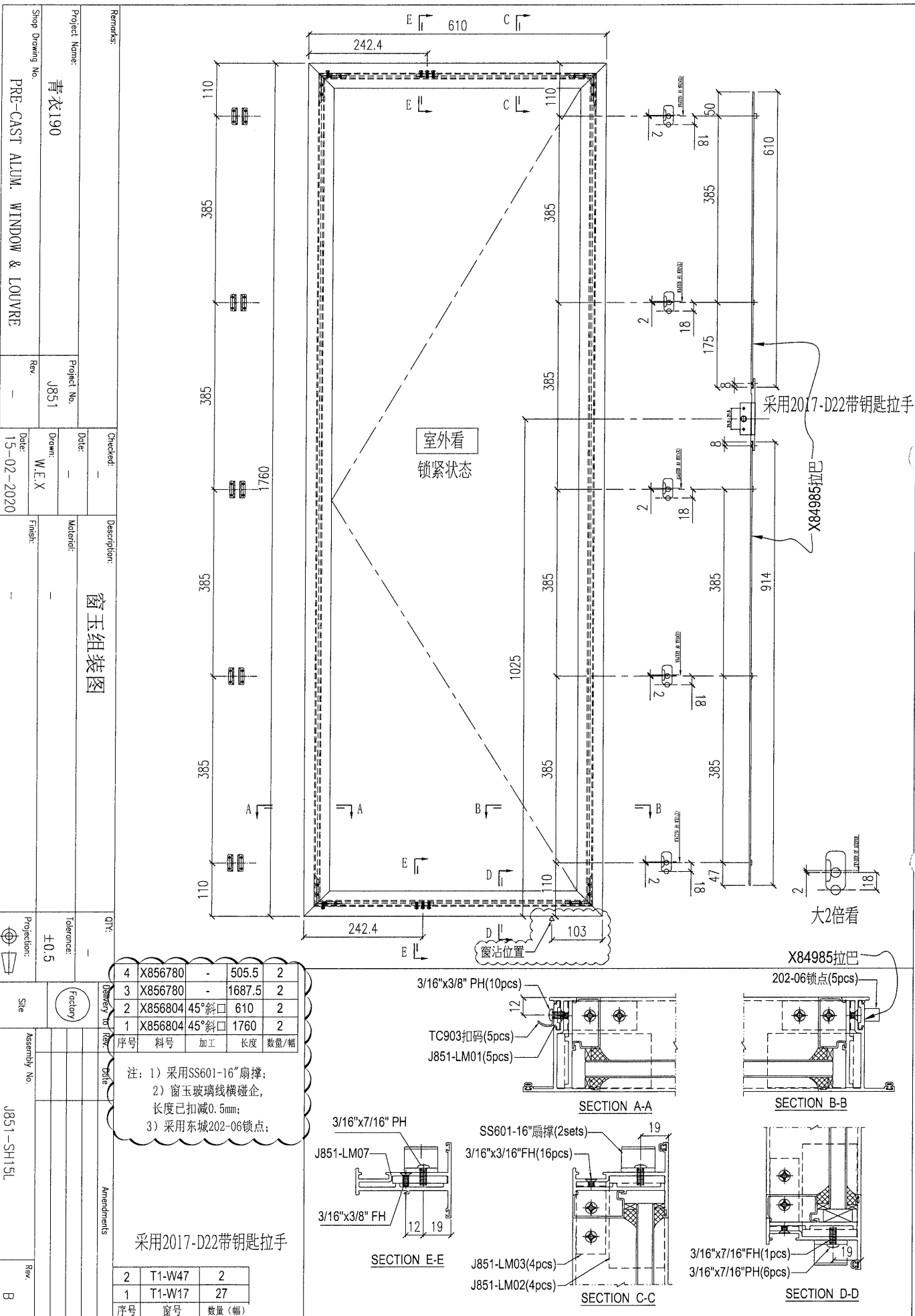


序号	料号	加工	长度	数量/樞
4	X856780	-	555.5	2
3	X856780	-	1147.5	2
2	X856804	45°斜口	660	2
1	X856804	45°斜口	1220	2

注: 1) 采用SS601-16"扇撑;  
2) 窗玉玻璃线横碰企, 长度已扣减0.5mm;  
3) 采用东城202-06锁点;

序号	窗号	数量(樞)
2	T2-W43	2
1	T2-W13	54



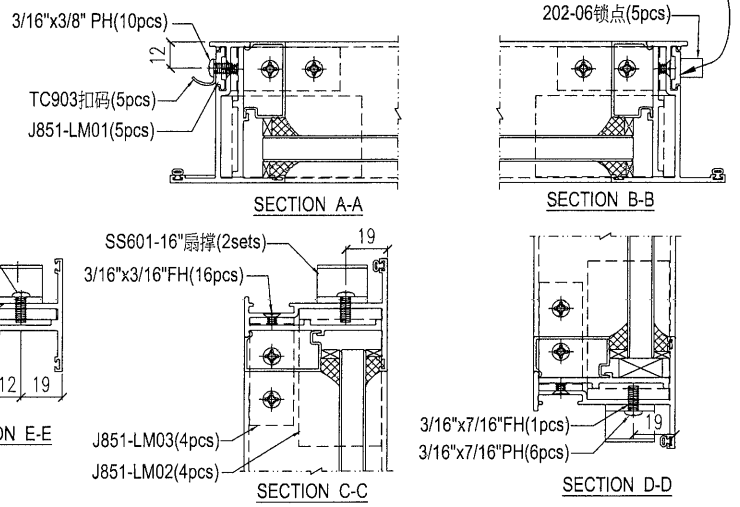


Project Name: 青衣190		Project No: J851	
Stop Drawing No: PRE-CAST ALUM. WINDOW & LOUVRE		Rev: -	
Checked: -		Date: 15-02-2020	
Drawn: W.E.X		Date: 15-02-2020	
Description: 窗玉组装图		Material: -	
Material: -		Finish: -	
Tolerance: ±0.5		Projection: 1st Angle	
Site: Factory		Assembly No: J851-SH15L	
Rev: B		MIDI Aluminium Fabricator Ltd.	

序号	料号	加工	长度	数量/幅
4	X856780	-	505.5	2
3	X856780	-	1687.5	2
2	X856804	45°斜□	610	2
1	X856804	45°斜□	1760	2

注: 1) 采用SS601-16"扇撑;  
2) 窗玉玻璃线横碰企, 长度已扣减0.5mm;  
3) 采用东城202-06锁点;

序号	窗号	数量 (幅)
2	T1-W47	2
1	T1-W17	27



采用2017-D22带钥匙拉手

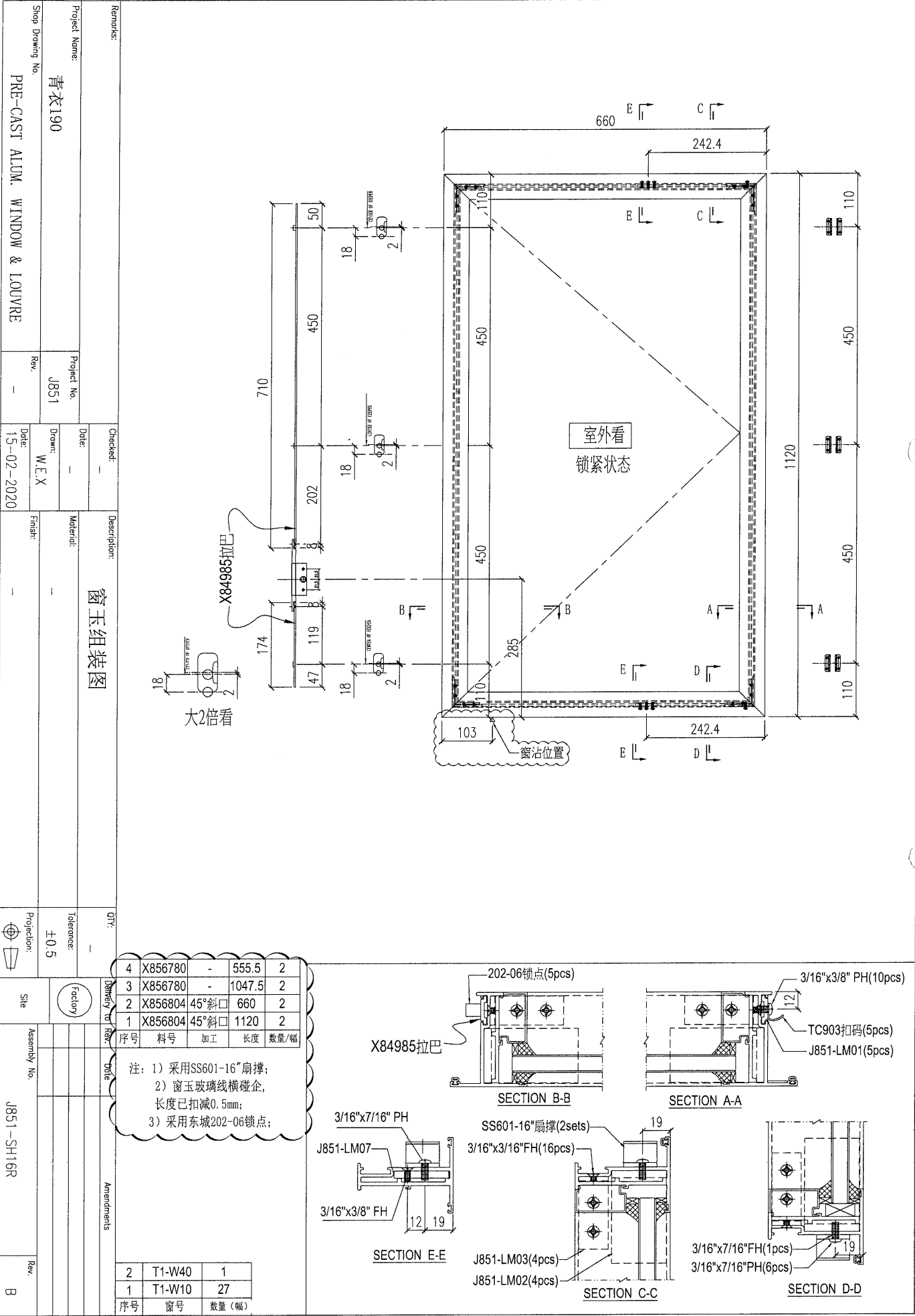
采用2017-D22带钥匙拉手

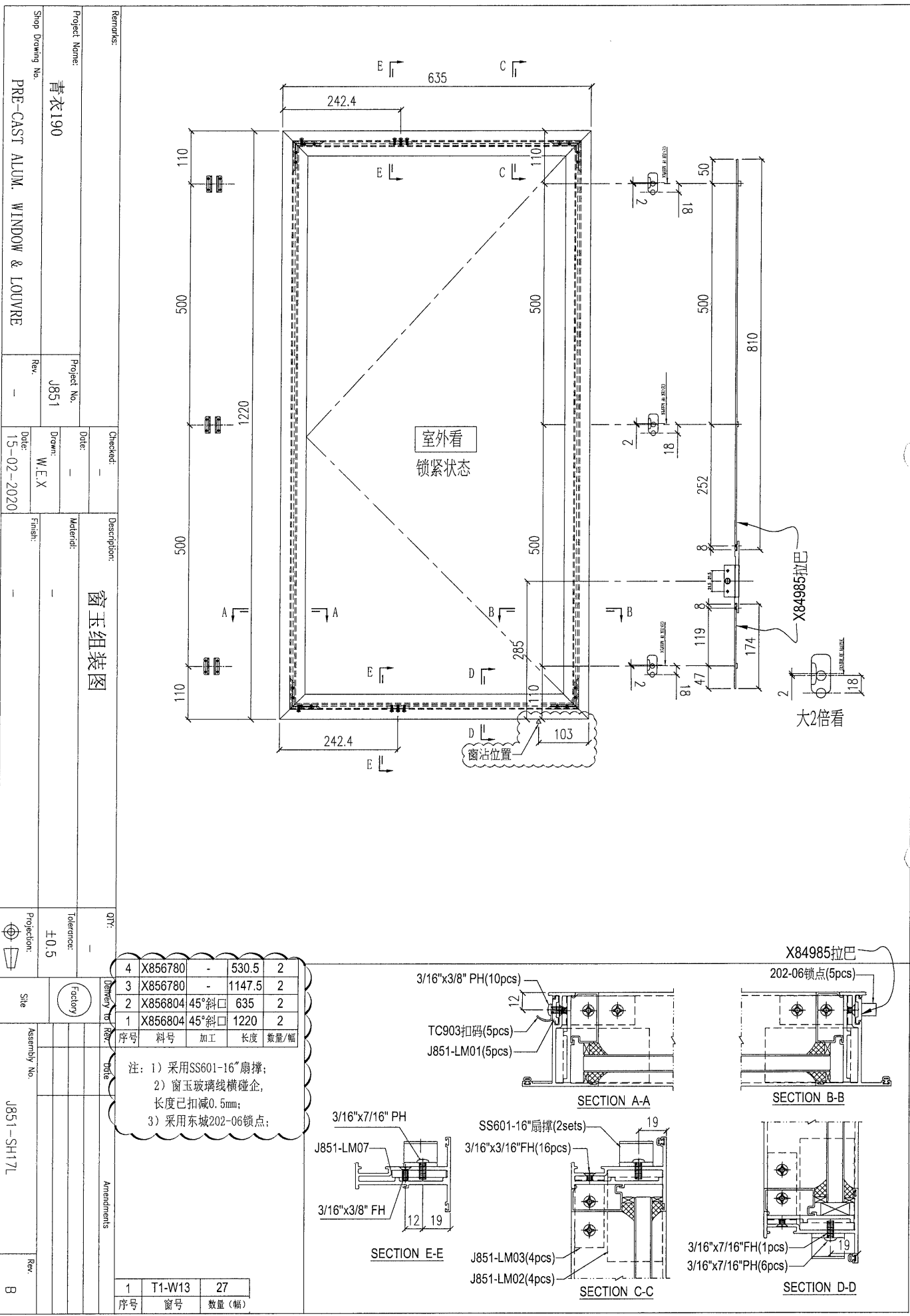
X84985拉巴

大2倍看

X84985拉巴

202-06锁点(5pcs)



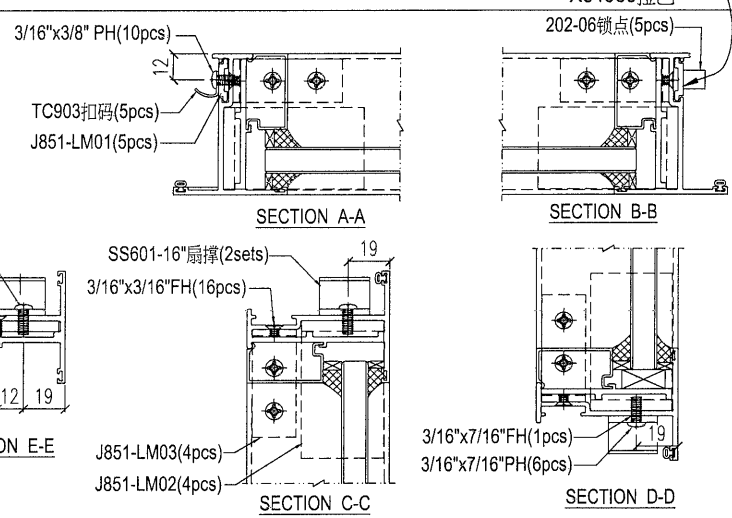


Project Name: 青衣190		Project No: J851	
Shop Drawing No: PRE-CAST ALUM. WINDOW & LOUVRE		Rev: -	
Checked: -	Date: -	Drawn: W.E.X	Date: 15-02-2020
Description: 窗玉组装图			
Material: -		Finish: -	
QTY: -		Tolerance: ±0.5	
Delivery to: Factory		Site: -	
Rev: -		Assembly No: J851-SH17L	
Remarks: -		Rev: B	

序号	料号	加工	长度	数量/幅
4	X856780	-	530.5	2
3	X856780	-	1147.5	2
2	X856804	45°斜□	635	2
1	X856804	45°斜□	1220	2

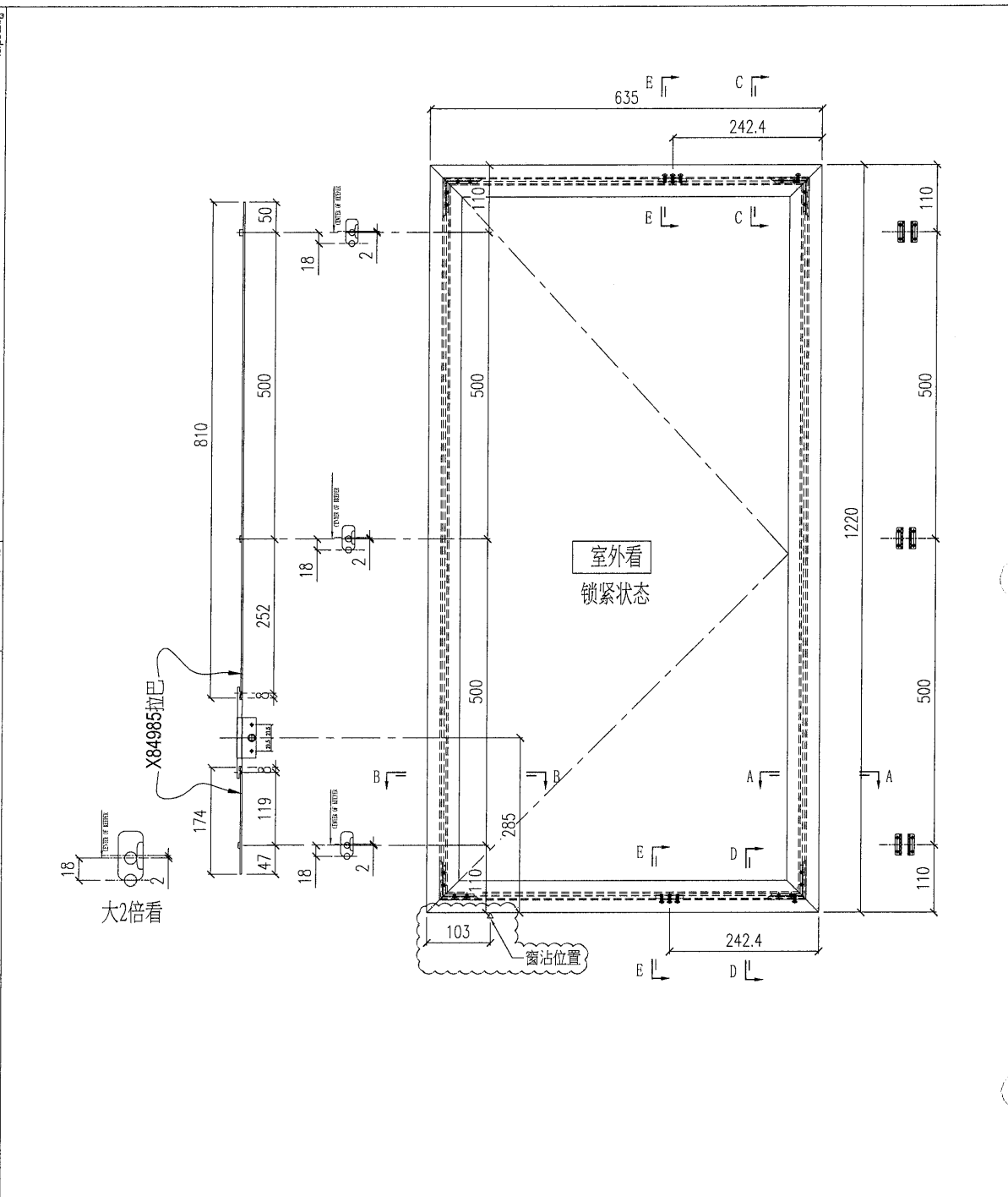
注: 1) 采用SS601-16"扇撑;  
 2) 窗玉玻璃线横碰企, 长度已扣减0.5mm;  
 3) 采用东城202-06锁点;

序号	窗号	数量(幅)
1	T1-W13	27



MIDI Aluminium Fabricator Ltd.

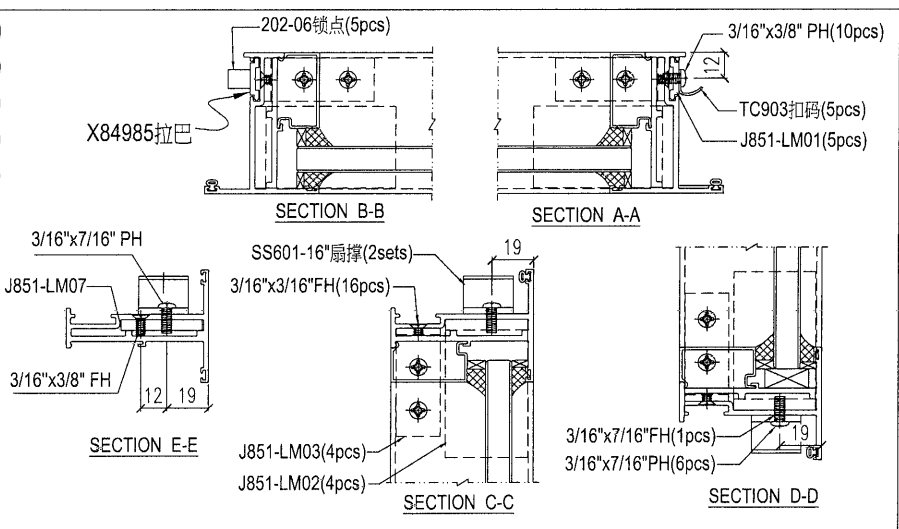
Project Name: 青衣190		Project No: J851		Checked: -		Description: 窗玉组装图	
Shop Drawing No: PRE-CAST ALUM. WINDOW & LOUVER		Rev: -		Date: 15-02-2020		Material: -	
Drawn: W.E.X		Date: 15-02-2020		Finish: -		Tolerance: ±0.5	
Projection:		Site: Factory		Date: -		Assembly No: J851-SH17R	
Rev: B		MIDI Aluminium Fabricator Ltd.		Remarks:		Amendments:	

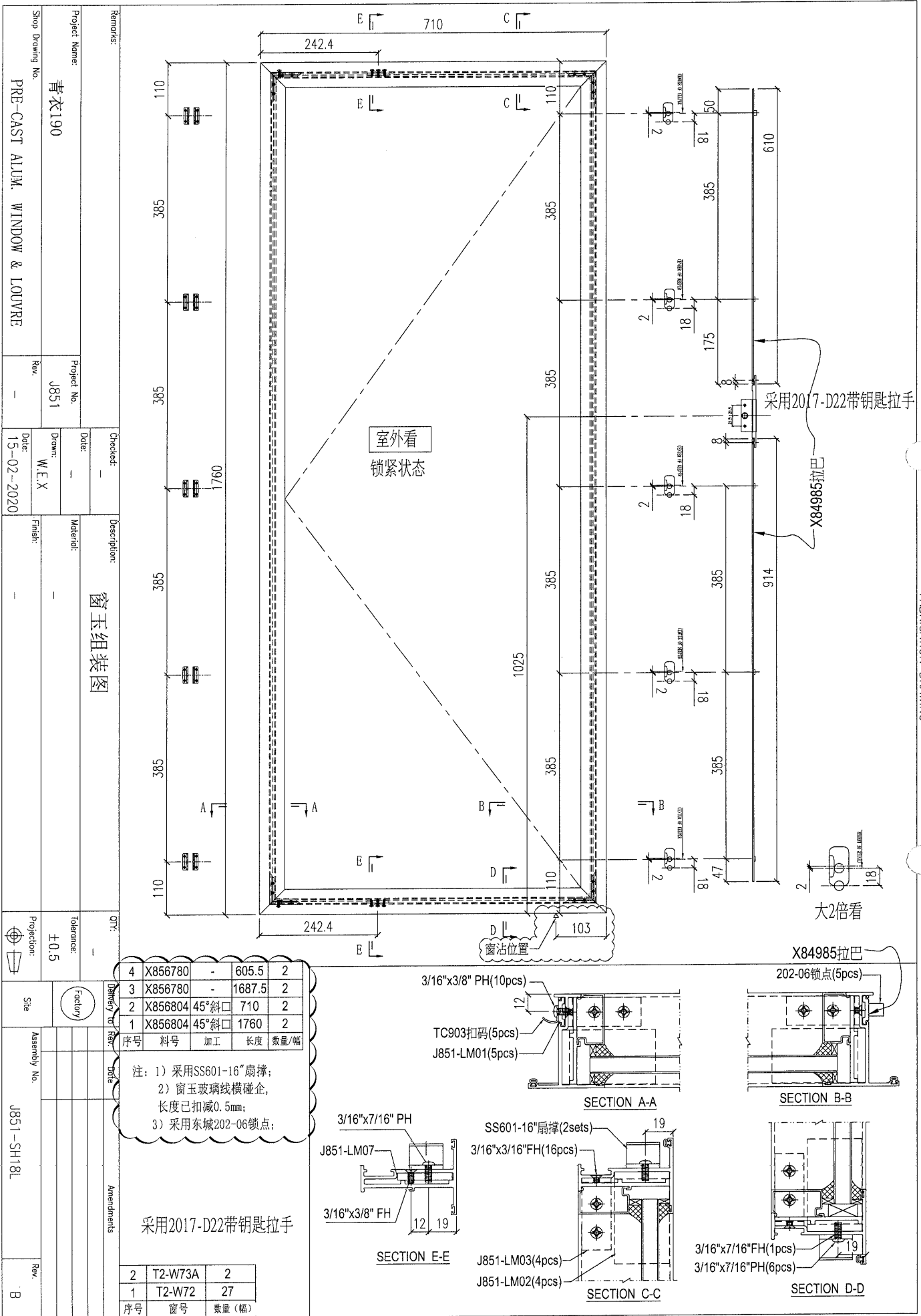


序号	料号	加工	长度	数量/幅
4	X856780	-	530.5	2
3	X856780	-	1147.5	2
2	X856804	45°斜□	635	2
1	X856804	45°斜□	1220	2

注: 1) 采用SS601-16"扇撑;  
2) 窗玉玻璃线横碰企, 长度已扣减0.5mm;  
3) 采用东城202-06锁点;

序号	窗号	数量 (幅)
1	T1-W43	1





序号	料号	加工	长度	数量/幅
4	X856780	-	605.5	2
3	X856780	-	1687.5	2
2	X856804	45°斜□	710	2
1	X856804	45°斜□	1760	2

注: 1) 采用SS601-16"扇撑;  
2) 窗玉玻璃线横碰企, 长度已扣减0.5mm;  
3) 采用东城202-06锁点;

采用2017-D22带钥匙拉手

Project Name: 青衣190

Project No: J851

Drawn: W.E.X

Date: 15-02-2020

Checked: -

Date: -

Material: -

Description: 窗玉组装图

QTY: -

Tolerance: ±0.5

Projection: -

Site: Factory

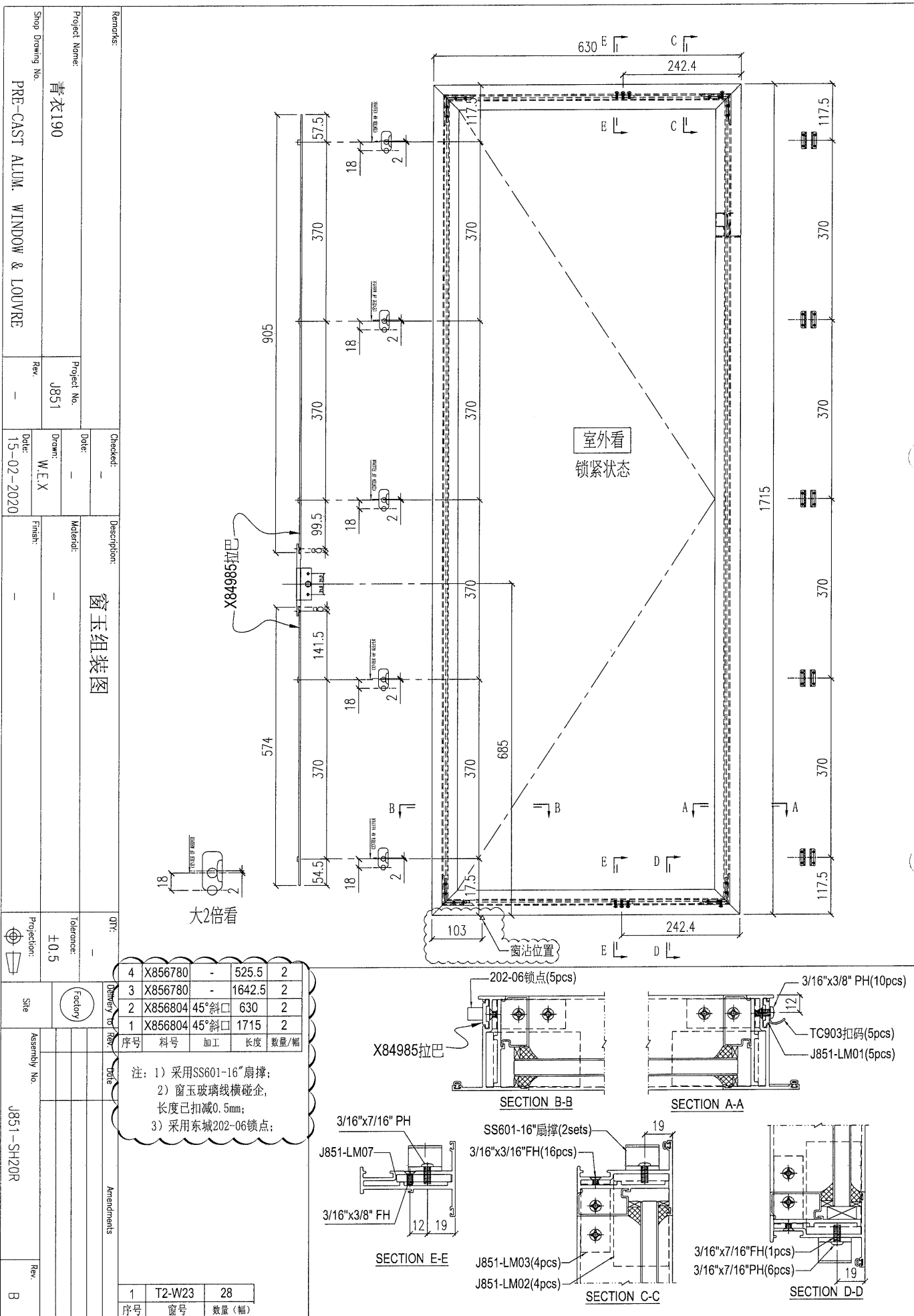
Assembly No: J851-SH18L

Rev: B

Remarks: -

Shop Drawing No: PRE-CAST ALUM. WINDOW & LOUVRE



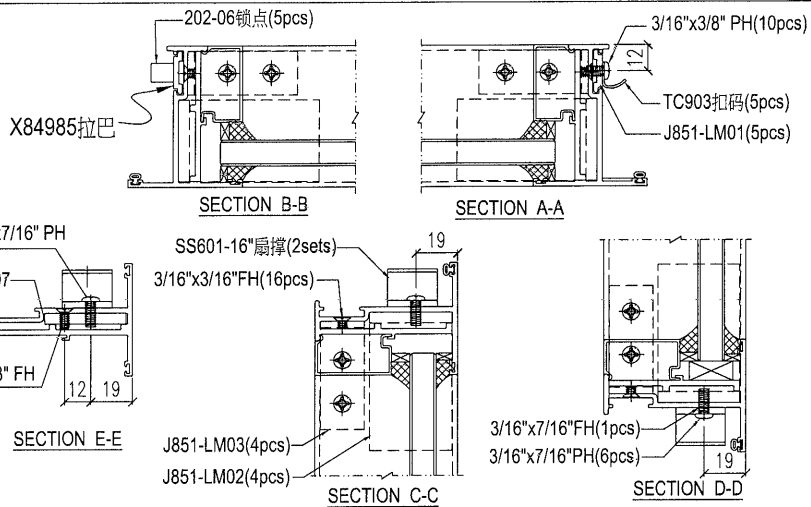


Remarks: \_\_\_\_\_  
 Project Name: 青衣190  
 Project No. J851  
 Shop Drawing No. PRE-CAST ALUM. WINDOW & LOUVRE  
 Rev. -  
 Date: 15-02-2020  
 Drawn: W.E.X  
 Date: 15-02-2020  
 Description: 窗玉组装图  
 Material: -  
 Finish: -  
 QTY: -  
 Tolerance: ±0.5  
 Projection:

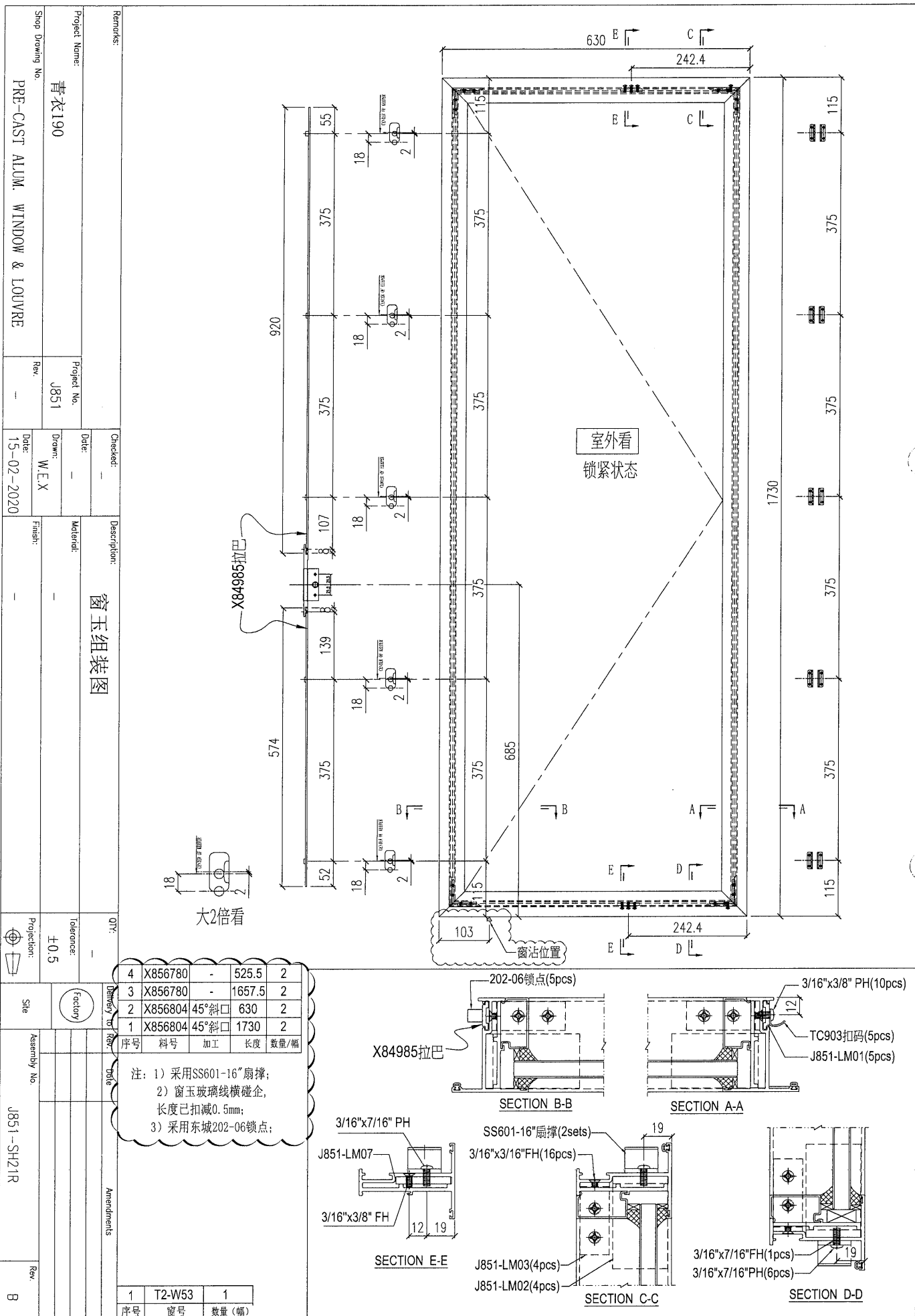
序号	料号	加工	长度	数量/樞
4	X856780	-	525.5	2
3	X856780	-	1642.5	2
2	X856804	45°斜口	630	2
1	X856804	45°斜口	1715	2

注: 1) 采用SS601-16"扇撑;  
 2) 窗玉玻璃线横碰企, 长度已扣减0.5mm;  
 3) 采用东城202-06锁点;

序号	窗号	数量(幅)
1	T2-W23	28



J851-SH20R  
 MIDI Aluminium Fabricator Ltd.



4	X856780	-	525.5	2
3	X856780	-	1657.5	2
2	X856804	45°斜口	630	2
1	X856804	45°斜口	1730	2

注: 1) 采用SS601-16°扇撑;  
2) 窗玉玻璃线横磁企, 长度已扣减0.5mm;  
3) 采用东城202-06锁点;

1	T2-W53	1
---	--------	---

序号 窗号 数量(幅)

Remarks:

Project Name: 青衣190

Project No: J851

Shop Drawing No: PRE-CAST ALUM. WINDOW & LOUVRE

Rev: ---

Checked: ---

Date: ---

Description: 窗玉组装图

Material: ---

Finish: ---

Drawn: W.E.X

Date: 15-02-2020

Projection: ±0.5

Site: Factory

Assembly No: J851-SH21R

Rev: B

MIDI Aluminium Fabricator Ltd.



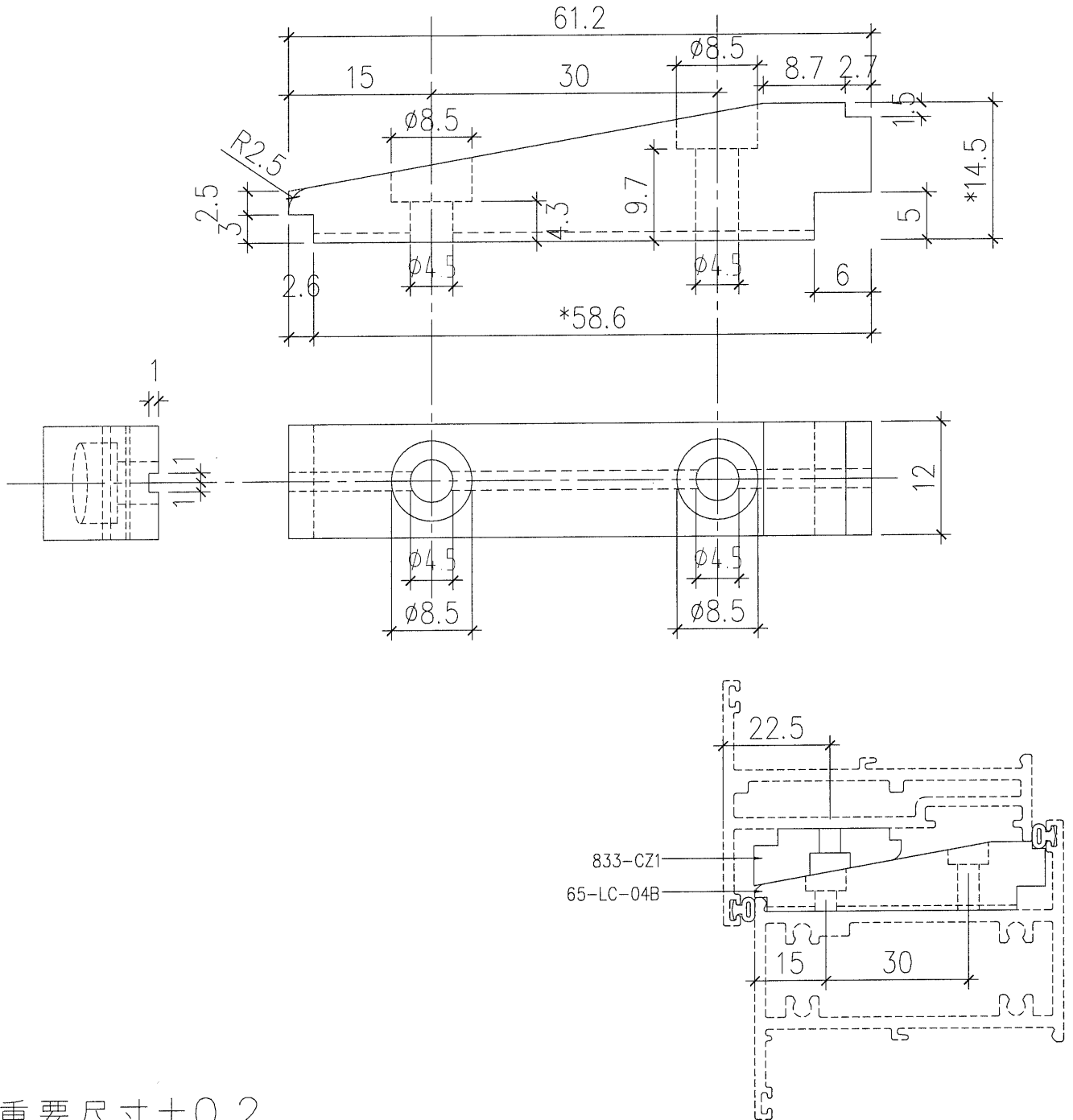


MIDI ALUMINIUM  
FABRICATOR LTD.  
HAREWARE DRAWING

DRG. NO. :  
65-LC-04B

JOB NO. : -  
DATE : 11 Feb. 2020

TITLE :  
65窗窗拈



\*重要尺寸±0.2

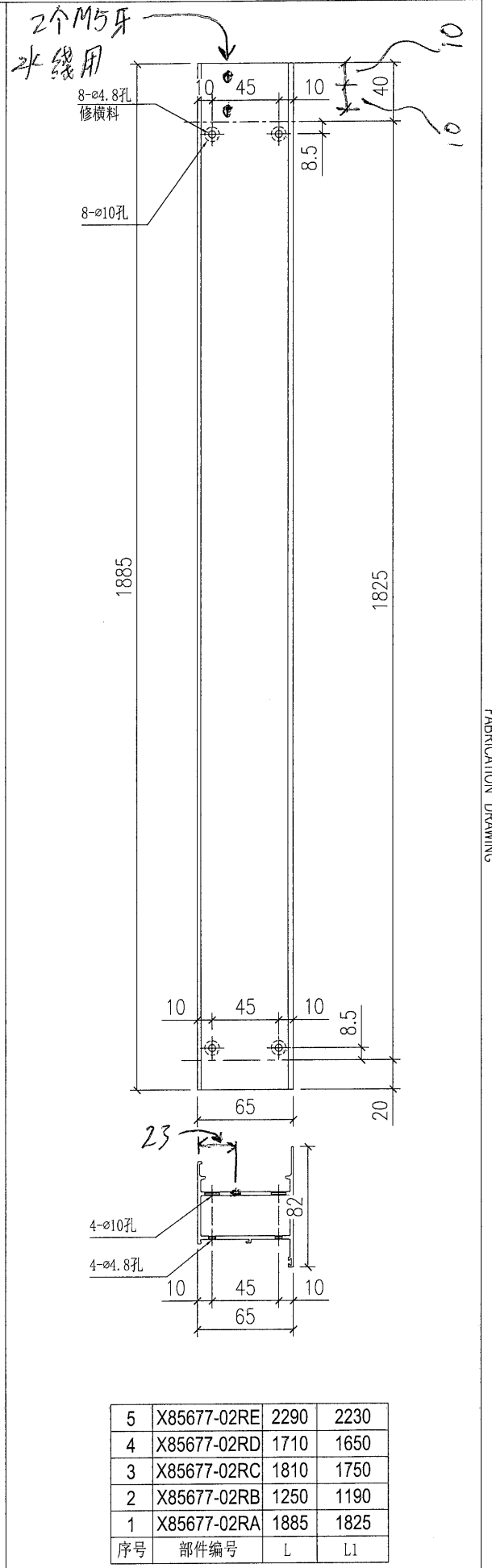
MATCH WITH ALUM. FINISH

MATERIAL NYLON

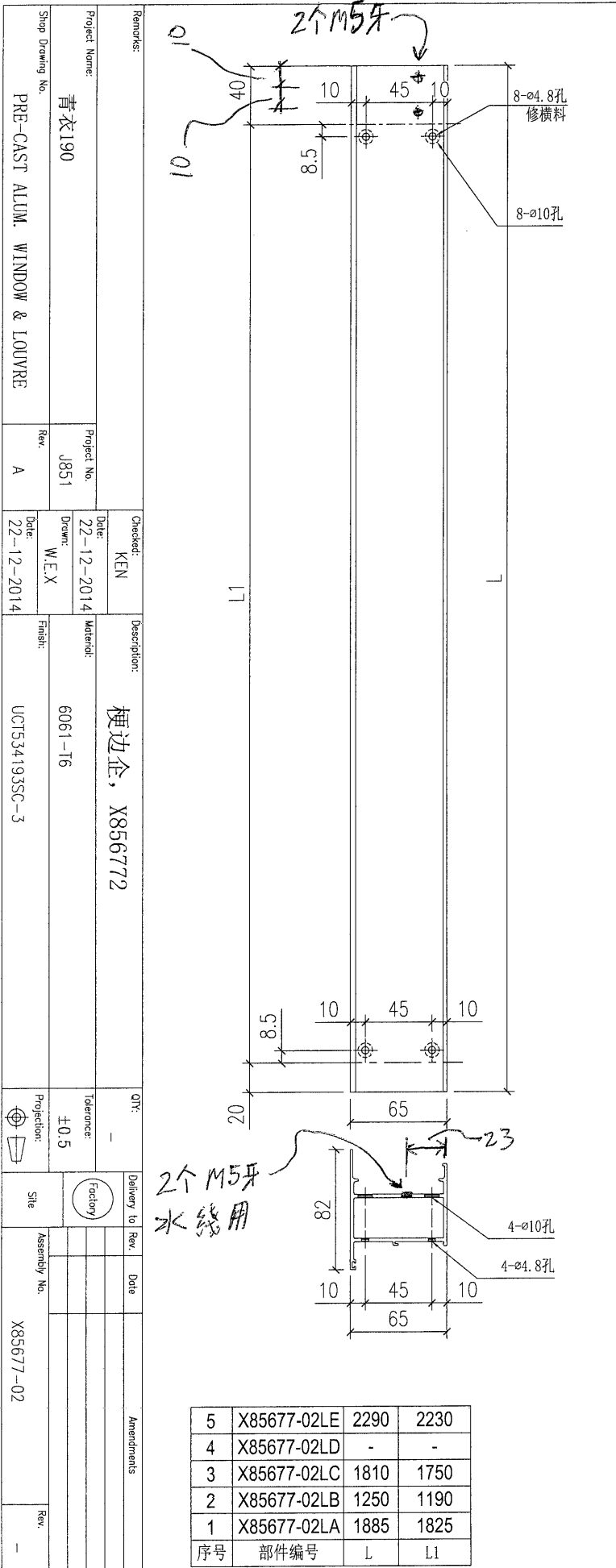
FINISH : --

USED IN : FACTORY / SITE

PART NO.	SUPPLEMENTARY ACCESSORIES	UNIT	TOTAL	NO	DATE	REVISION	INT.	APPROVED :	DATE :
				A	2/3/20				
				B	2/3/20			DRAWN :	DATE :
								WAI	-
								CHECK :	DATE :



5	X85677-02RE	2290	2230
4	X85677-02RD	1710	1650
3	X85677-02RC	1810	1750
2	X85677-02RB	1250	1190
1	X85677-02RA	1885	1825
序号	部件编号	L	L1



5	X85677-02LE	2290	2230
4	X85677-02LD	-	-
3	X85677-02LC	1810	1750
2	X85677-02LB	1250	1190
1	X85677-02LA	1885	1825
序号	部件编号	L	L1

Remarks:

Project Name: 青衣190

Project No: J851

Rev: A

Checked: KEN

Date: 22-12-2014

Drawn: W.E.X

Date: 22-12-2014

Description: 梗边企, X856772

Material: 6061-T6

Finish: UCT534193SC-3

QTY: -

Delivery to: Factory

Site: -

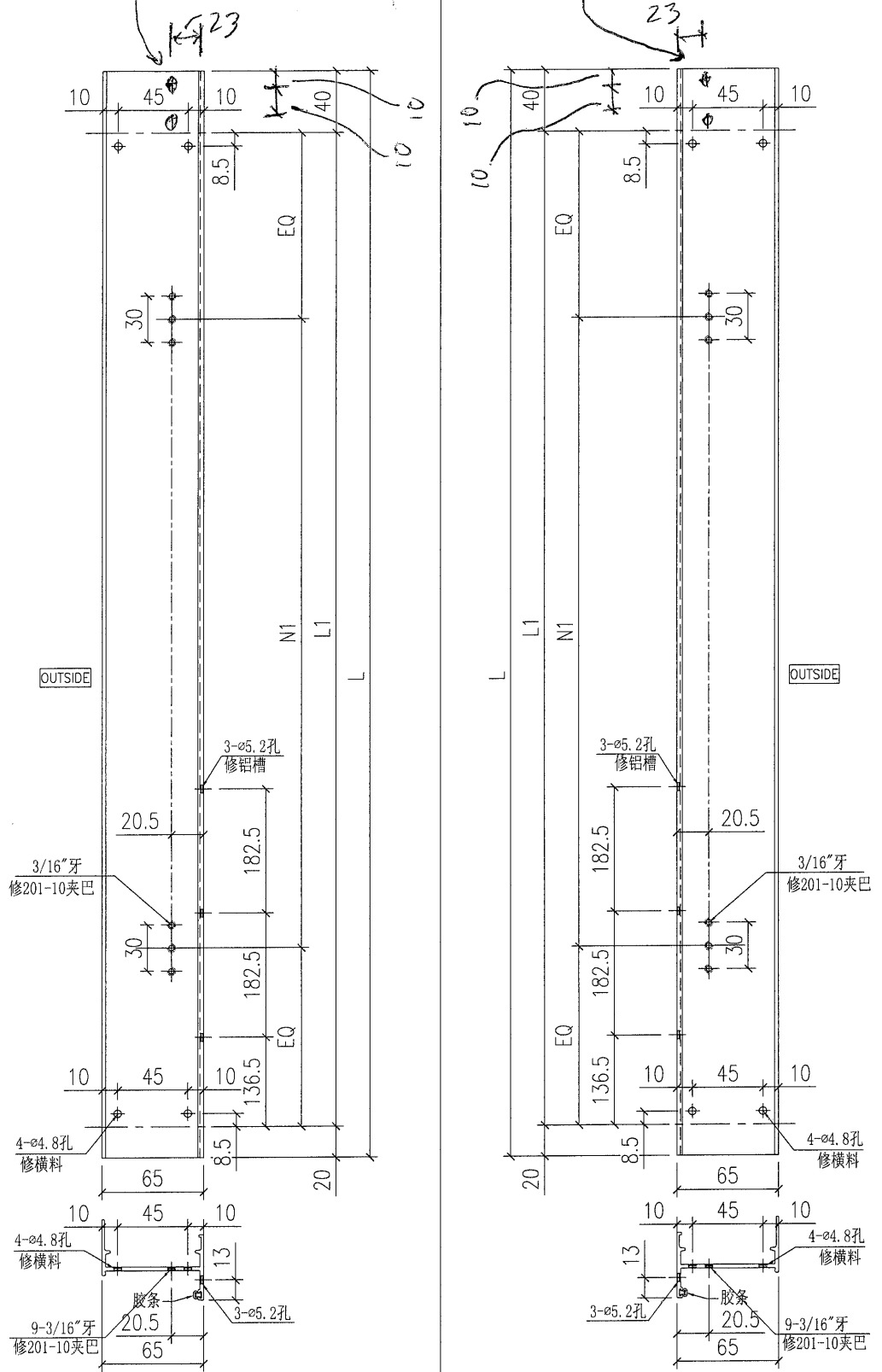
Assembly No: X85677-02

Rev: -

Amendments:



2个M5牙水线用



序号	部件编号	L	L1	NI
3	X85679-03LC	1300	1240	2x500c/c
2	X85679-03LB	1200	1140	2x450c/c
1	X85679-03LA	1250	1190	2x475c/c

序号	部件编号	L	L1	NI
6	X85679-03RF	1840	1780	4x385c/c
5	X85679-03RE	-	-	-
4	X85679-03RD	-	-	-
3	X85679-03RC	-	-	-
2	X85679-03RB	1200	1140	2x450c/c
1	X85679-03RA	1250	1190	2x475c/c

Remarks:

Project Name: 青衣190

Project No: J851

Rev: A

Checked: KEN

Date: 22-12-2014

Drawn: W.E.X

Date: 22-12-2014

Description: 生边企, X856790

Material: 6061-T6

Finish: UCT534193SC-3

QTY: -

Tolerance: ±0.5

Projection:

Delivery to: Factory

Site:

Assembly No: X85679-03

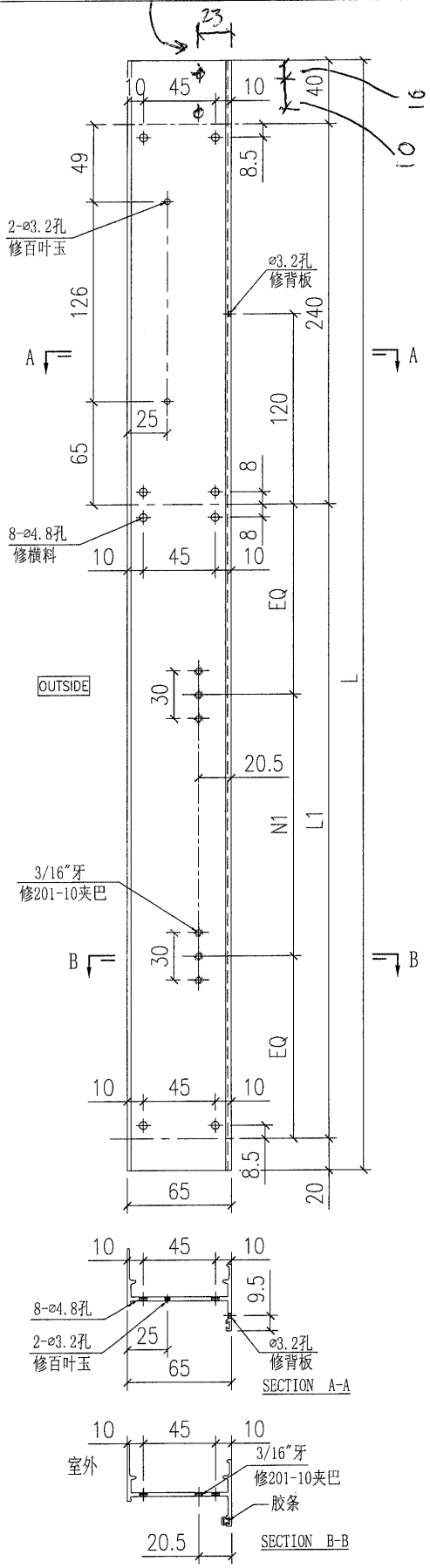
Rev: -

Amendments:

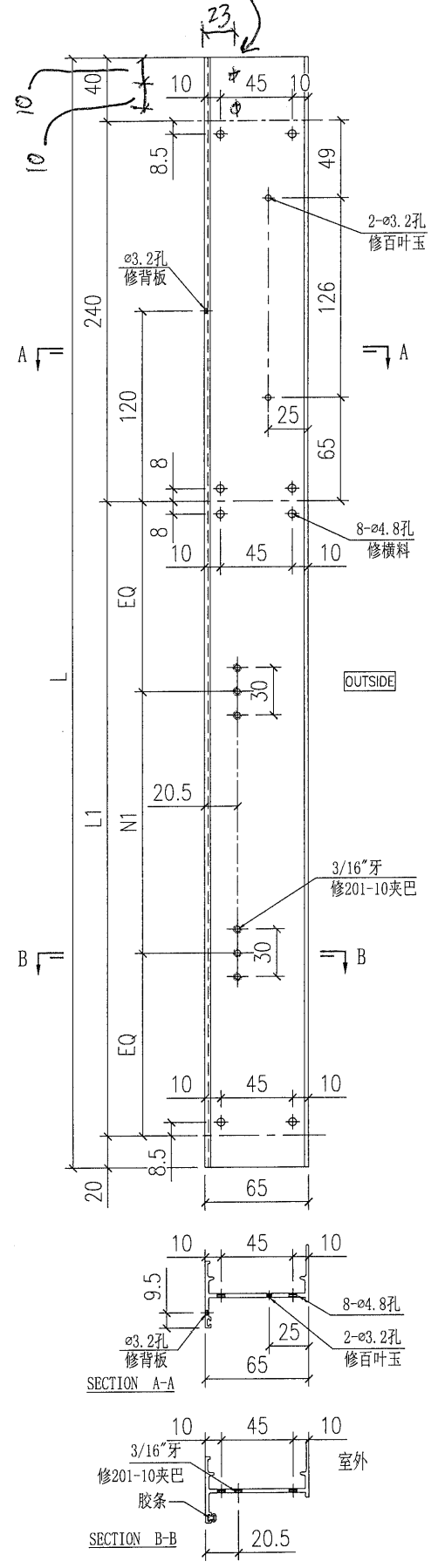
MIDI Aluminium Fabricator Ltd.

2个M5牙水线用

Project Name: 青衣190		Checked: KEN		Description: 生边企, X856790		QTY: -		Delivery to: (Factory)	
Project No: J851		Date: 22-12-2014		Material: 6061-T6		Tolerance: ±0.5		Date: -	
Drawn: W.E.X		Date: 22-12-2014		Finish: UCT534193SC-3		Projection:		Rev: -	
Rev: A		Date: 22-12-2014		Finish: UCT534193SC-3		Projection:		Rev: -	
Stamp Drawing No: PRE-CAST ALUM. WINDOW & LOUVRE		Date: 22-12-2014		Finish: UCT534193SC-3		Projection:		Rev: -	
MIDI Aluminium Fabricator Ltd.									



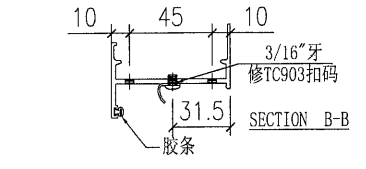
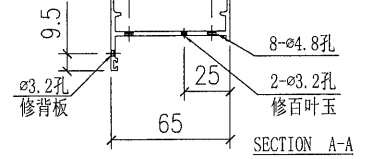
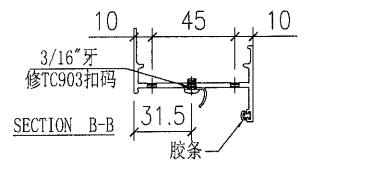
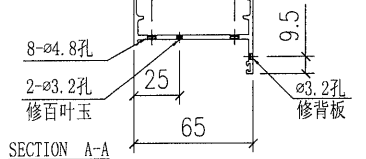
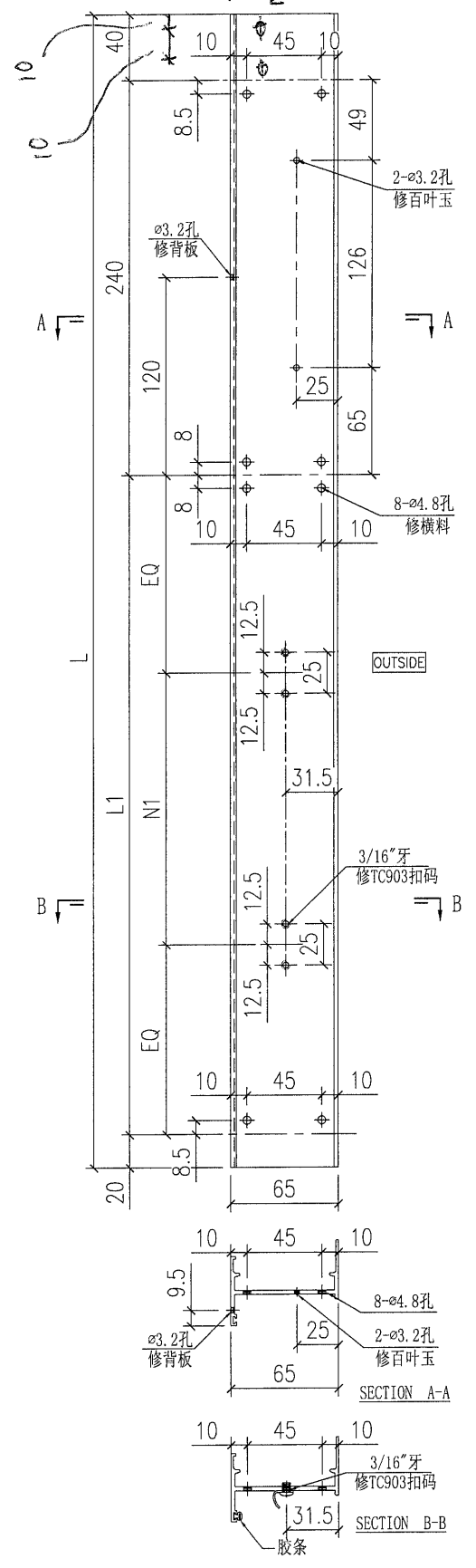
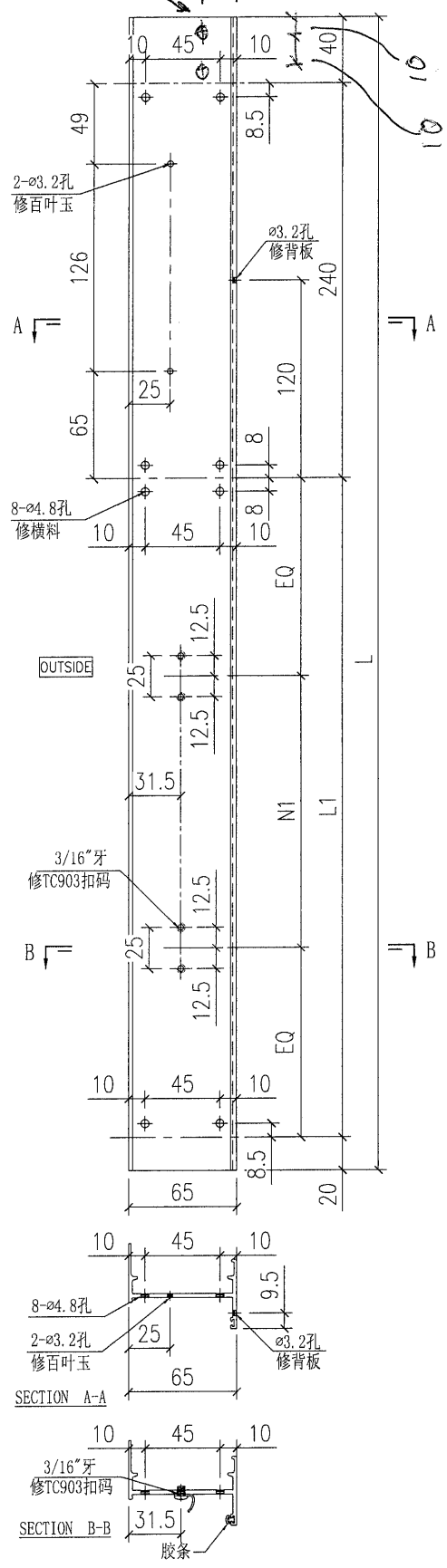
3	X85679-04LC	1440	1140	2x450c/c
2	X85679-04LB	1490	1190	2x475c/c
1	X85679-04LA	1540	1240	2x500c/c
序号	部件编号	L	L1	N1



2	X85679-04RB	1490	1190	2x475c/c
1	X85679-04RA	1540	1240	2x500c/c
序号	部件编号	L	L1	N1

FABRICATION DRAWING

2个M5开孔线用



2	X85679-05LB	1490	1190	2x475c/c
1	X85679-05LA	1540	1240	2x500c/c
序号	部件编号	L	L1	N1

3	X85679-05RC	1440	1140	2x450c/c
2	X85679-05RB	1490	1190	2x475c/c
1	X85679-05RA	1540	1240	2x500c/c
序号	部件编号	L	L1	N1

Remarks:

Project Name: 青衣190

Project No: J851

Shop Drawing No: PRE-CAST ALUM. WINDOW & LOUVER

Rev: A

Checked: KEN

Date: 22-12-2014

Drawn: W.E.X

Date: 22-12-2014

Description: 生边企, X856790

Material: 6061-T6

Finish: UCT5341933C-3

Material: 6061-T6

Finish: UCT5341933C-3

QTY: -

Tolerance: ±0.5

Projection:

Delivery to: Factory

Site:

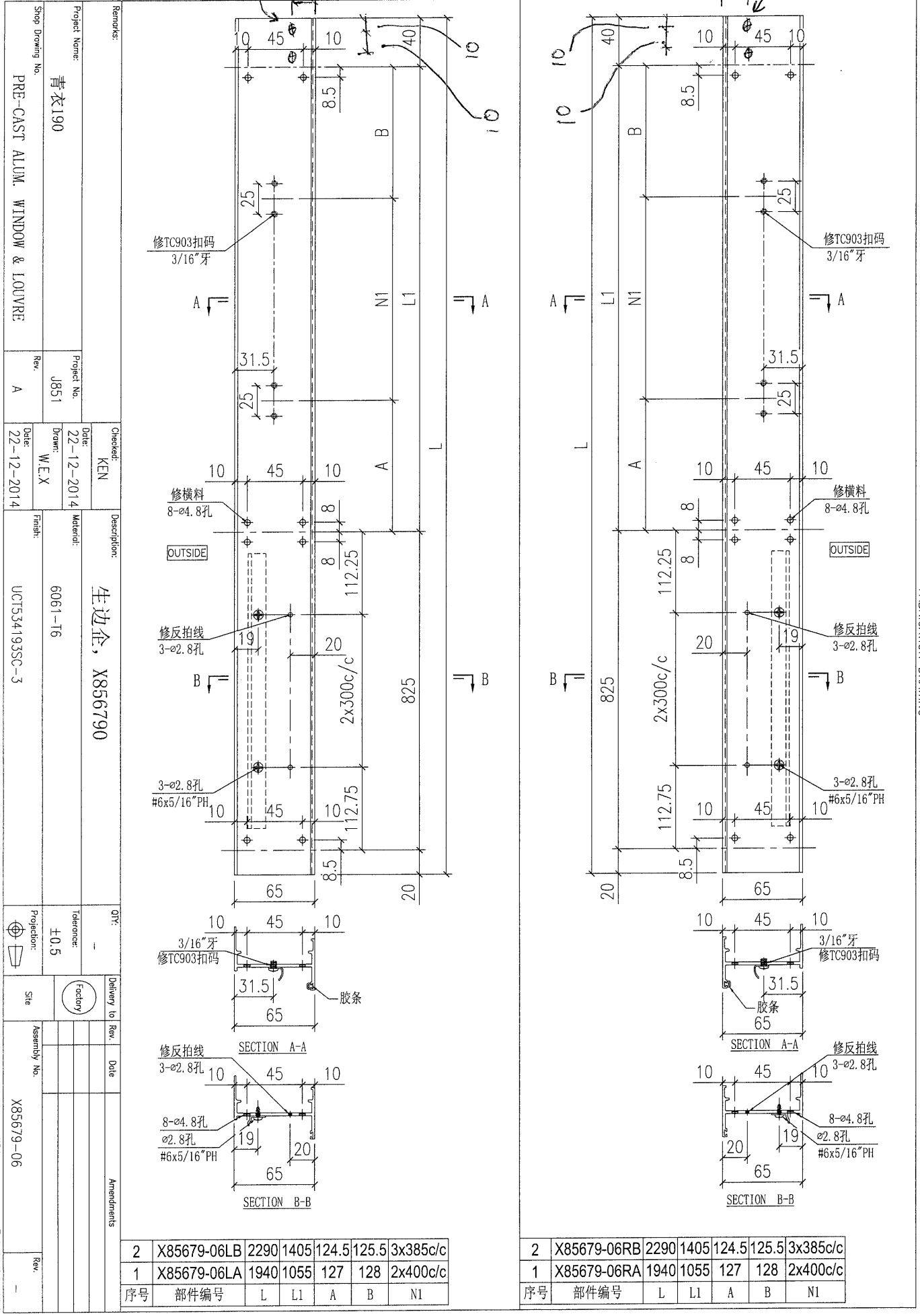
Assembly No: X85679-05

Rev: -

Amendments:

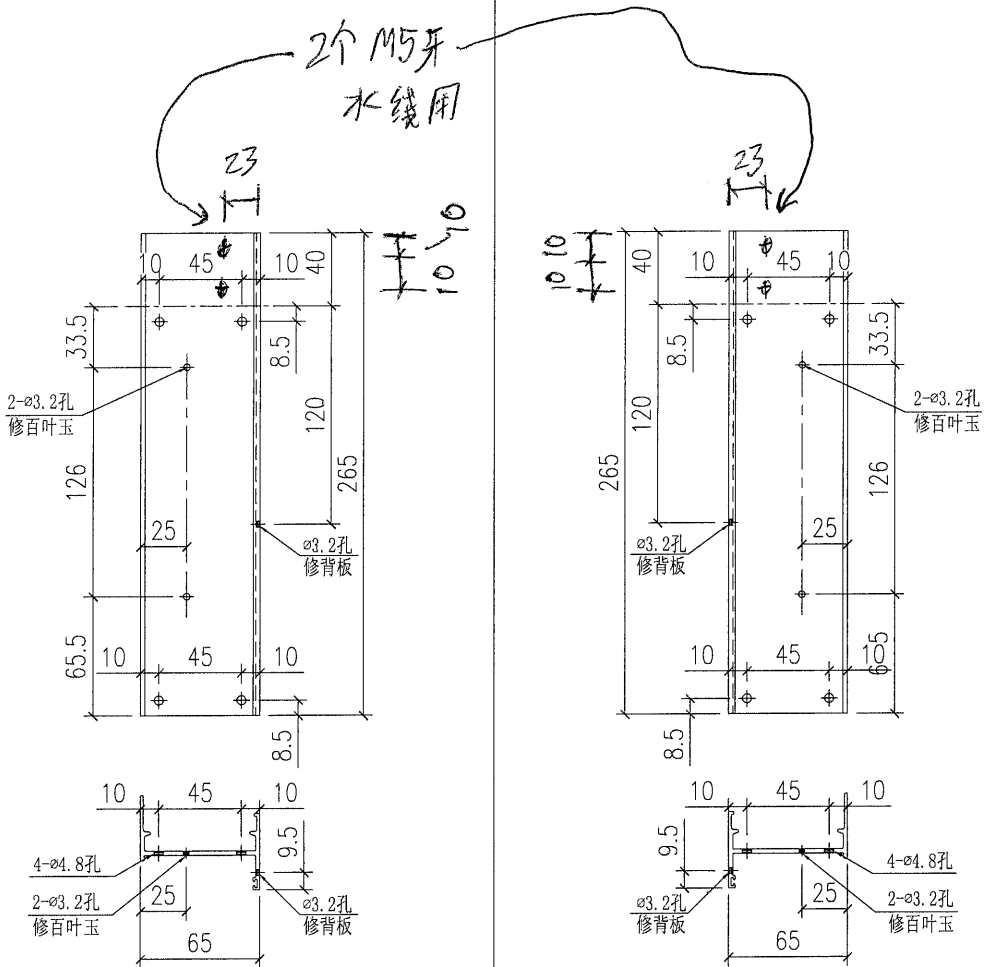
MIDI Aluminium Fabricator Ltd.

2个 M5牙 水线用



2	X85679-06LB	2290	1405	124.5	125.5	3x385c/c
1	X85679-06LA	1940	1055	127	128	2x400c/c
序号	部件编号	L	L1	A	B	NI

2	X85679-06RB	2290	1405	124.5	125.5	3x385c/c
1	X85679-06RA	1940	1055	127	128	2x400c/c
序号	部件编号	L	L1	A	B	NI

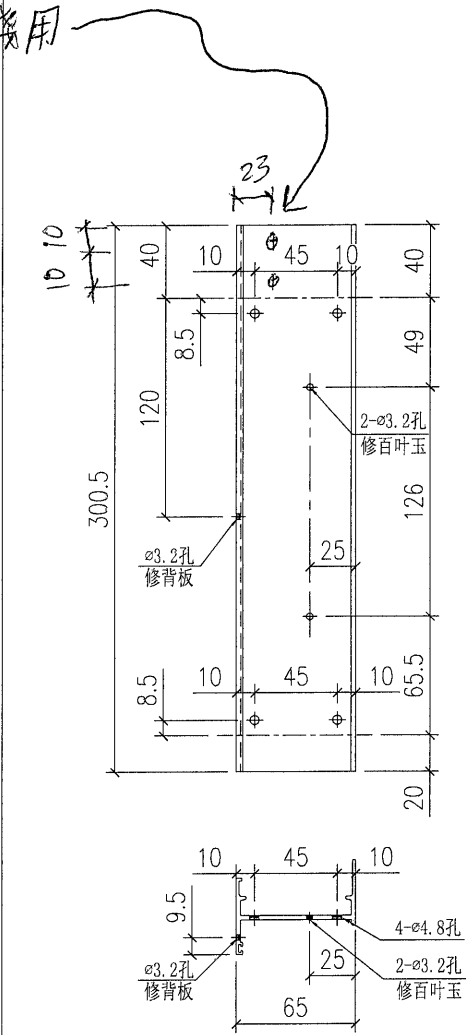


Remarks:		Checked: KEN		Description: 生边企, X856790		QTY: 1		Delivery to: (Factory)		Rev.		Date		Amendments	
Project Name: 青衣190		Date: 22-12-2014		Material: 6061-T6		Tolerance: ±0.5		Projection: (Factory)		Rev.		Date		Amendments	
Project No: J851		Drawn: W.E.X		Finish: UCT1534193SC-3		Projection: (Factory)		Site: (Factory)		Rev.		Date		Amendments	
Shop Drawing No: PRE-CAST ALUM. WINDOW & LOUVRE		Rev: A		Date: 22-12-2014		Projection: (Factory)		Site: (Factory)		Rev.		Date		Amendments	

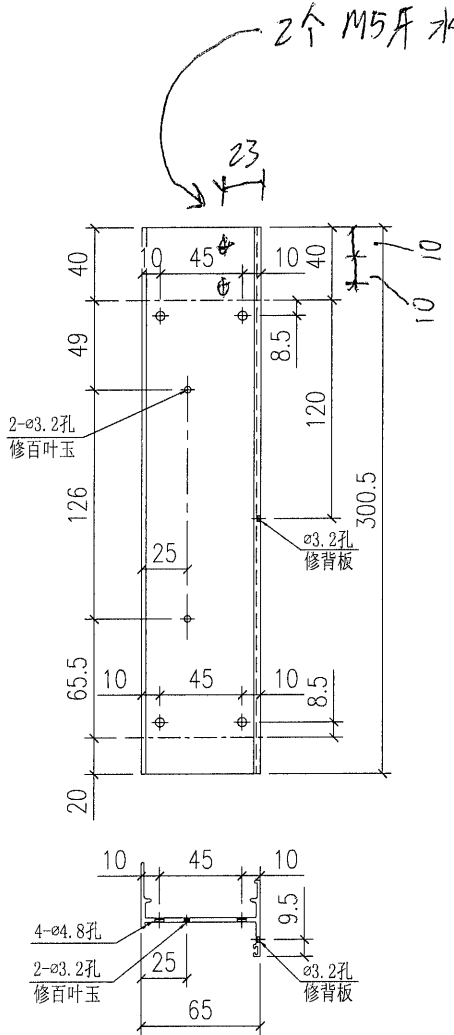
1	X85679-08L
序号	部件编号

1	X85679-08R
序号	部件编号

MIDI Aluminium Fabricator Ltd.



1	X85679-09R
序号	部件编号



1	X85679-09L
序号	部件编号

Remarks:		Checked: KEN		Description: 生边企, X856790		QTY: -		Delivery to Rev. Date		Amendments	
Project Name: 青衣190		Date: 22-12-2014		Material: 6061-T6		Tolerance: $\pm 0.5$		Factory			
Project No: J851		Drawn: W.E.X		Finish: UCT534193SC-3		Projection:		Site			
Shop Drawing No: PRE-CAST ALUM. WINDOW & LOUVRE		Rev: A		Date: 22-12-2014		Projection:		Assembly No: X85679-09		Rev: -	

MIDI Aluminium Fabricator Ltd.