



工程指示 / 要求簡箋(E.I.)

工程指示編號：EI / 1555 / 20 修改版次：A
 工程編號 : J851 工程名稱 : 青衣 明翹匯
 工程項目 : 鋁料加工圖 (預制窗)
 收件人 : 生統 發件人 : Leung Hin Wai 日期 : 04/03/2020

要求提供 / 確認 事項 :

- | | | |
|-------------------------------------|-------------------------------------|-------------------------------|
| <input type="checkbox"/> 初步鋁料 B.M. | <input type="checkbox"/> 加工拆圖，然後生產 | <input type="checkbox"/> 尺寸表 |
| <input type="checkbox"/> 正式鋁料 B.M. | <input type="checkbox"/> 技術上資料 / 指示 | <input type="checkbox"/> 報價 |
| <input type="checkbox"/> 配件 B.M. | <input type="checkbox"/> 樣辦或貨品說明書 | <input type="checkbox"/> 分判合約 |
| <input type="checkbox"/> 其他 : _____ | | |

內容 :

請按附頁加工，送預制場。

1、夾叭孔中間定位孔不需要鑽，由地盤安裝玻璃后調節松緊适度后再加鑽。

2、窗框上扇撐定位孔不鑽，當搭位不均時、或鎖點偶有碰框邊、夾叭時調節适度后再由地盤加鑽。

3、多點鎖手柄會由地盤後裝

加需要使用加力撐的鋁窗：1、當單格寬度內見光小於700MM，企向內見光尺寸小於800MM，不用加。2、當單格寬度內見光小於700MM，企向內見光尺寸大於800MM，但小於1600MM，於企向分中加1支。3、當單格寬度內見光小於700MM，企向內見光尺寸大於1600MM，於企向均加2支。4、EI/1489/20中，T2/W6，T2/W36，T1/W6，T1/W36，因梗窗格內見光超1300MM，需於寬度上增加1支，再加固於企向料。

請在 30/3 前完成上列要求。

附： -

以上項目為：

- 原合約工程包 原合約工程加 / 減賬 新工程報價

原因：-

分發東莞各部門：

- () 生產技術總監 連附件 () 技術部 連附件 () 生產部 連附件 () 機械設計部 連附件
 () 採購部 連附件 () 生產統籌部 連附件
 () 質檢部 連附件 () 會計部 連附件 () 報關組 連附件 () 其他 _____ 連附件

分發香港各部門：

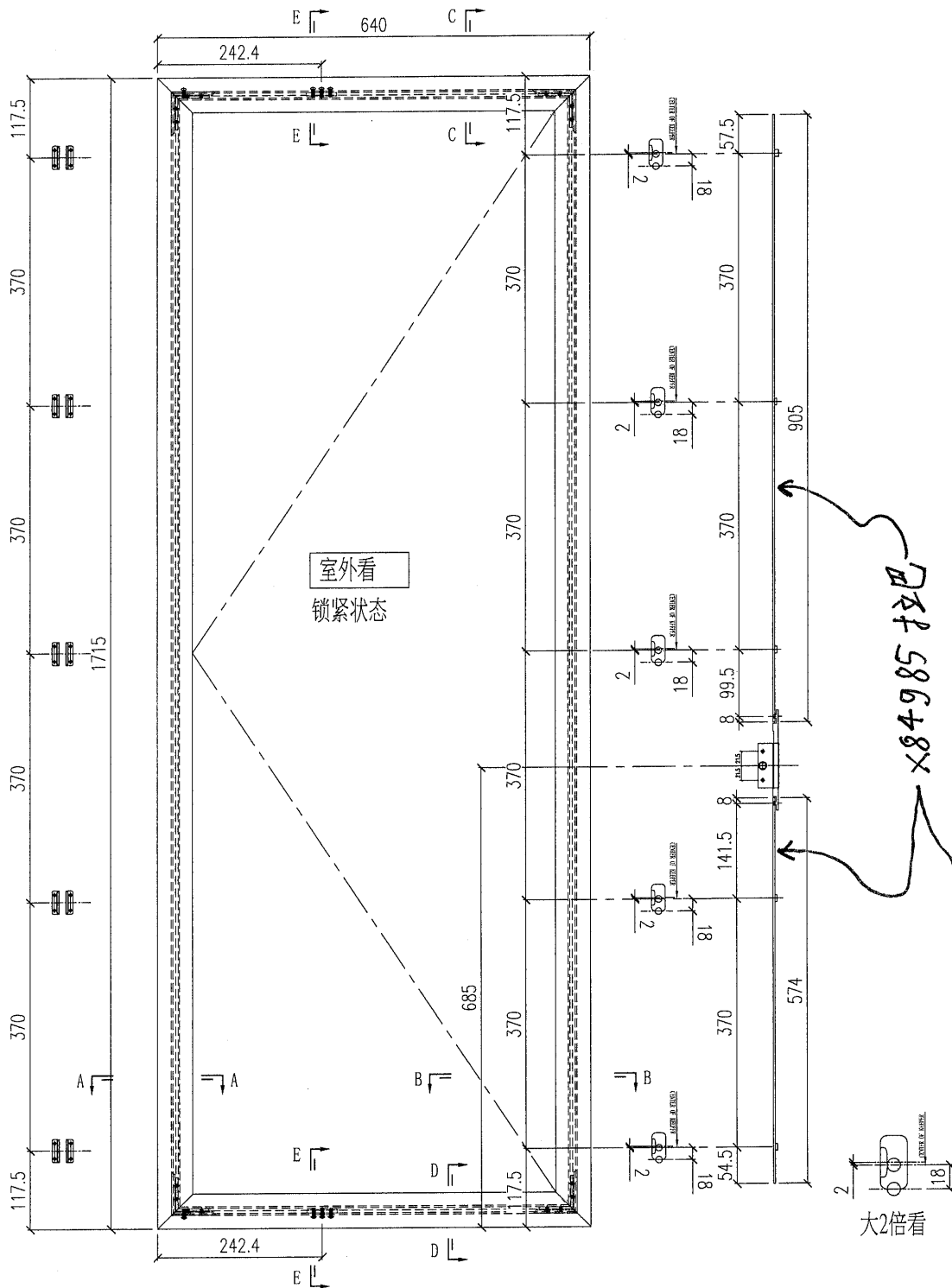
- () 行政部 連附件 () 會計部 連附件 () 統籌部 連附件 () 工程部地盤科文(柄) 連附件
 () 採購部 連附件 () QS 部 連附件 () 維修部 連附件 () 其他 _____ 連附件

傳遞編號：

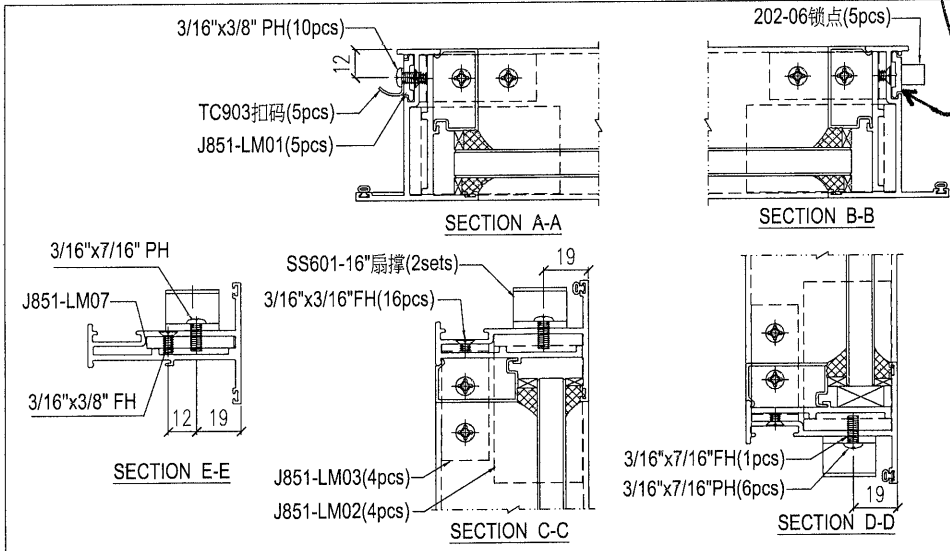
H/K 0288

發件人簽署：

項目經理簽署：



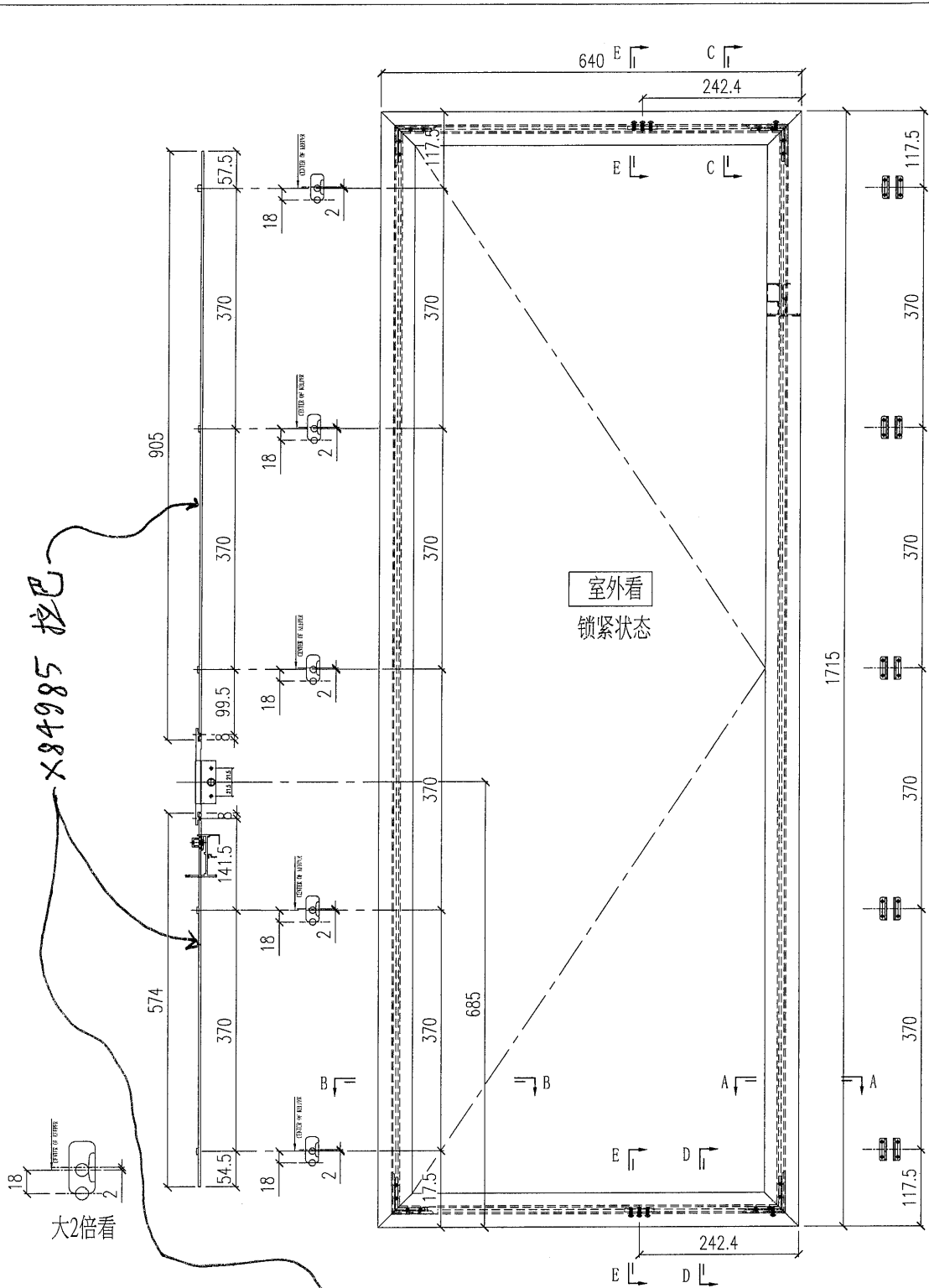
- 注: 1) 采用SS601-16"扇撑;
 2) 窗玉玻璃线横碰企;
 3) 采用东城202-06锁点;



序号	窗号	数量 (幅)
2	T2-W2	54
1	T1-W2	84

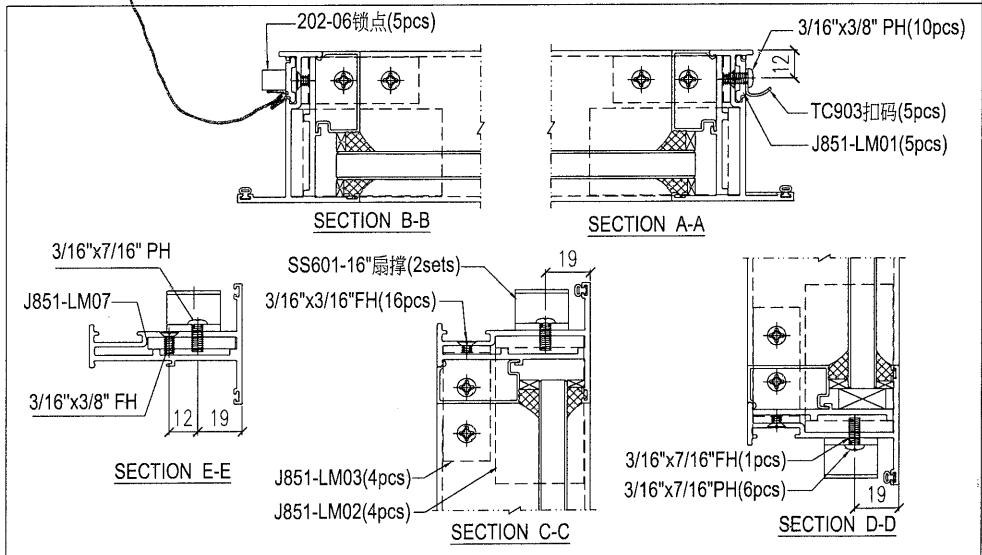
Remarks:		Checked: -		Description: 窗玉组装图		QTY: -		Delivery to: Factory		Date: -		Assembly No. J851-SH01L		Rev. -	
Project Name: 青衣190		Project No. J851		Material: -		Tolerance: ±0.5		Site: -		Date: -		Rev. -		Rev. -	
Shop Drawing No. PRE-CAST ALUM. WINDOW & LOUVRE		Date: 15-02-2020		Drawn: W.E.X		Projection: -		Date: 15-02-2020		Finish: -		Date: -		Rev. -	

Project Name: 青衣190		Project No. J851		Checked: -		Description: 窗玉组装图		QTY: -		Delivery to: Factory	
Shop Drawing No. PRE-CAST ALUM. WINDOW & LOUVRE		Rev. -		Date: 15-02-2020		Material: -		Tolerance: ±0.5		Site: -	
Drawn: W.E.X		Date: -		Date: -		Finish: -		Projection:		Assembly No. J851-SH01R	
Remarks:		Date: -		Date: -		Date: -		Date: -		Rev. -	

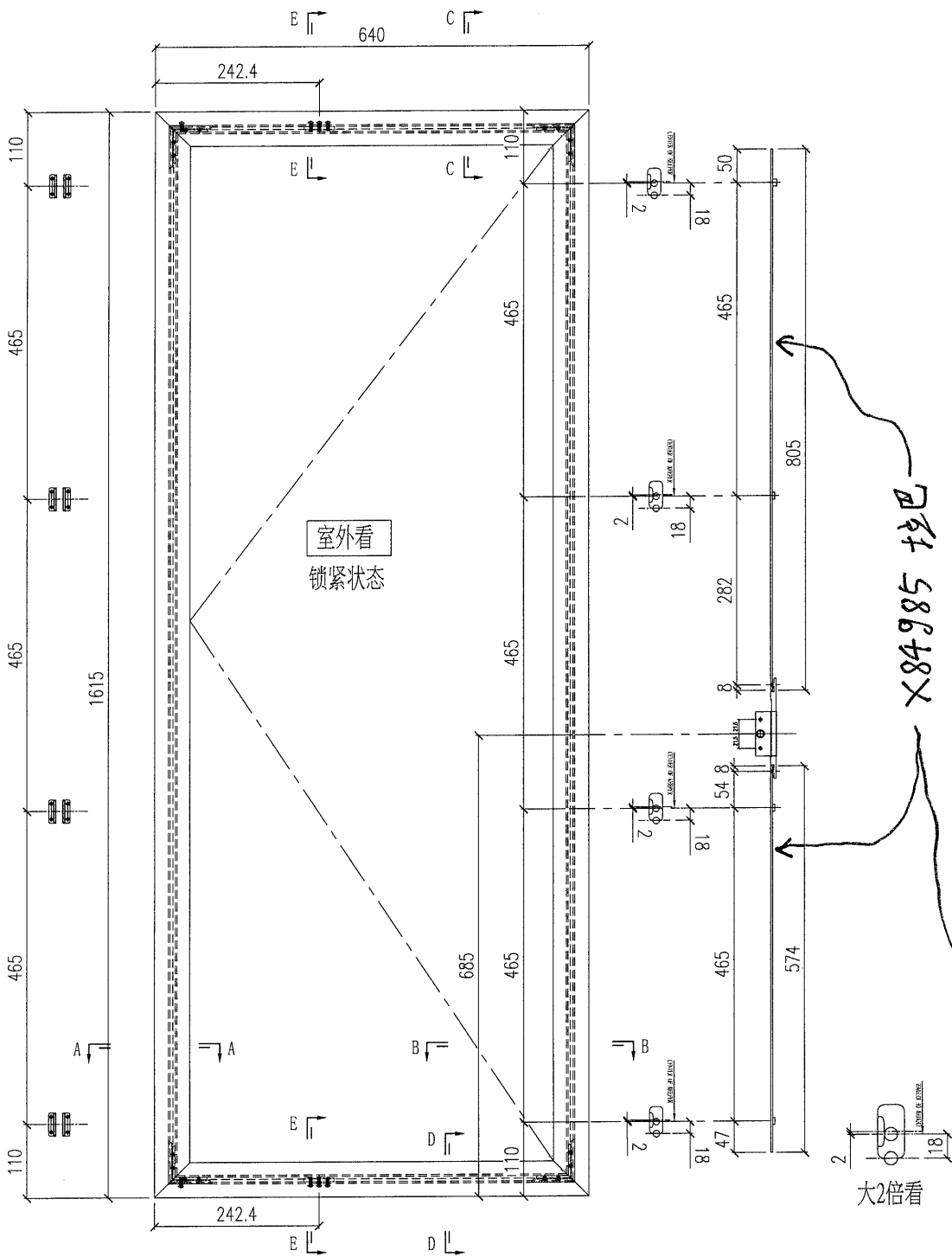


大2倍看

- 注: 1) 采用SS601-16"扇撑;
 2) 窗玉玻璃线横碰企;
 3) 采用东城202-06锁点;

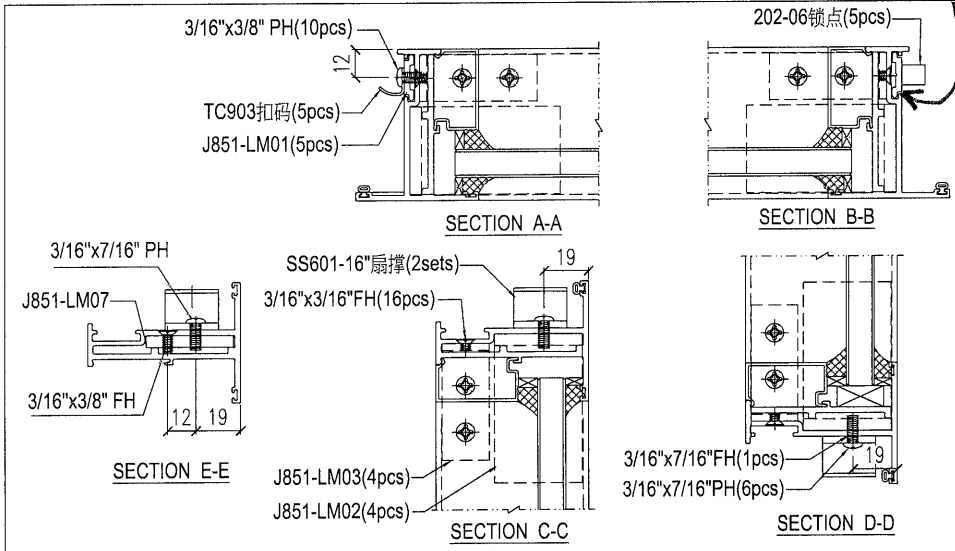


序号	窗号	数量(幅)
2	T2-W2R	81
1	T1-W2R	84



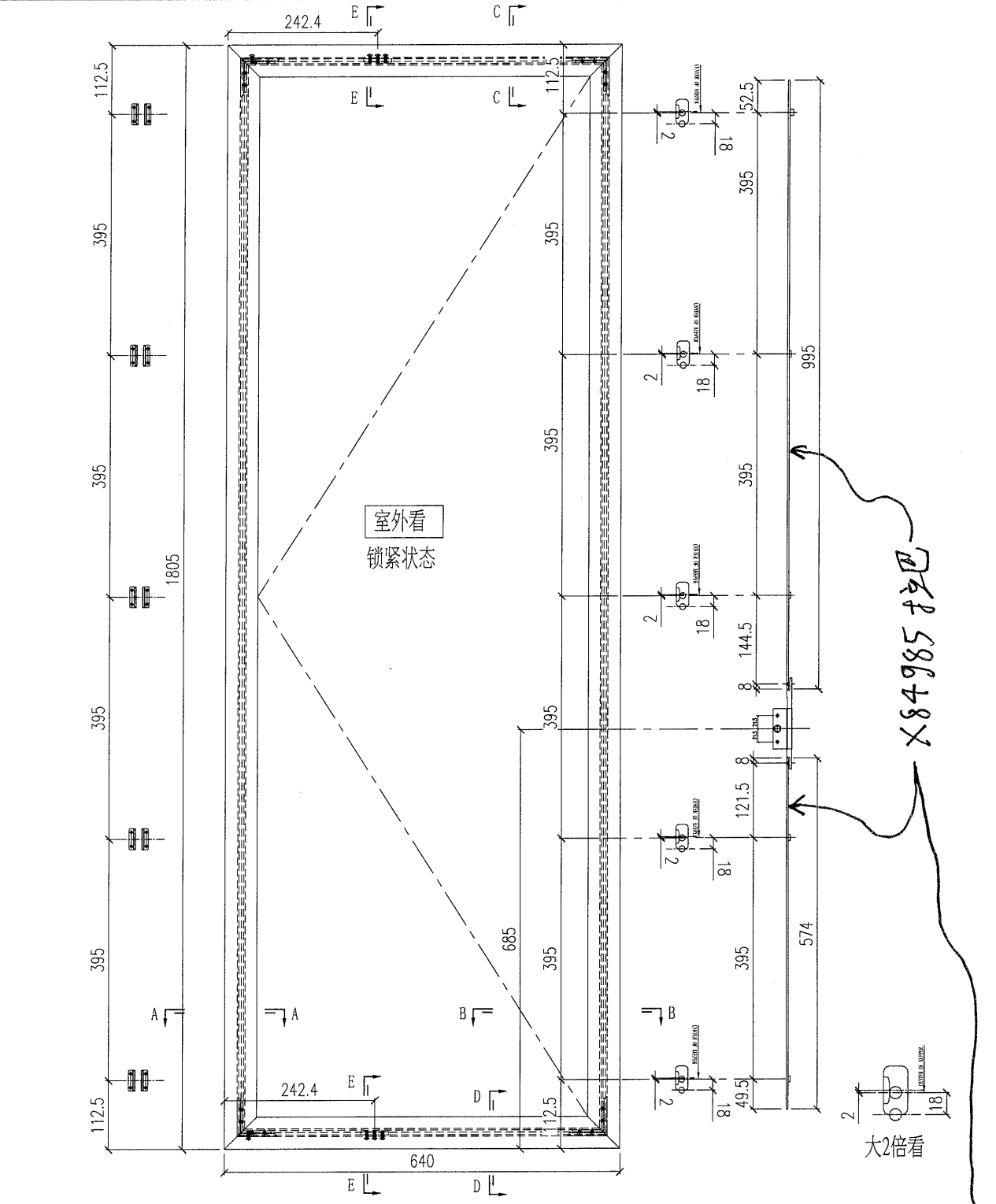
Remarks:		Checked: -		Description: 窗玉组装图		QTY: -		Delivery to: Factory	
Project Name: 青衣190		Date: -		Material: -		Tolerance: ±0.5		Site: -	
Project No. J851		Drawn: W.E.X		Finish: -		Projection: -		Assembly No. J851-SH02	
Shop Drawing No. PRE-CAST ALUM. WINDOW & LOUVRE		Rev: -		Date: 15-02-2020		Date: -		Rev: -	

- 注: 1) 采用SS601-16"扇撑;
 2) 窗玉玻璃线横碰企;
 3) 采用东城202-06锁点;

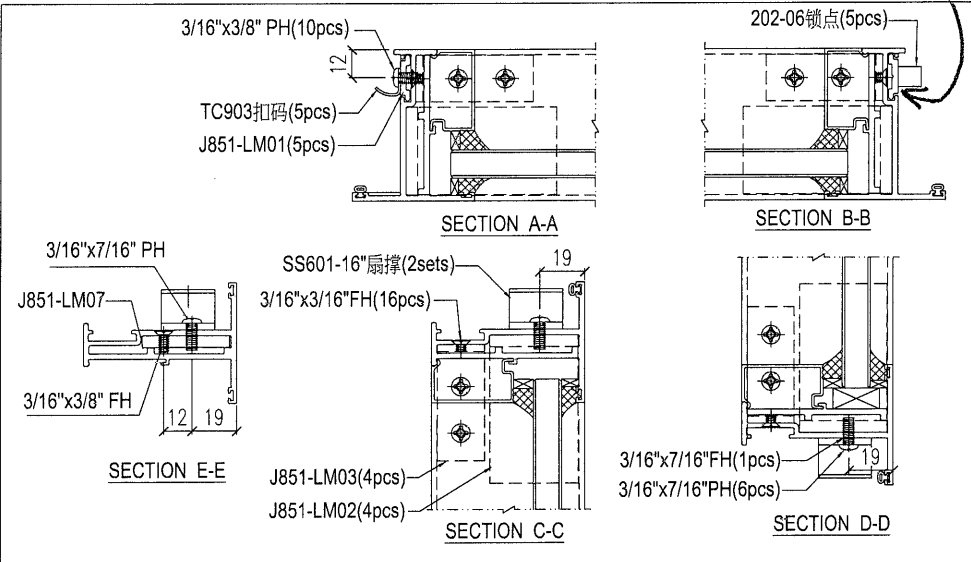


1	T1-W14	26
序号	窗号	数量(幅)

Project Name: 青衣190		Project No: J851		Checked: -		Description: 窗玉组装图		QTY: -		Delivery to: (Factory)	
Shop Drawing No: PRE-CAST ALUM. WINDOW & LOUVRE		Rev: -		Date: 15-02-2020		Drawn: W.E.X		Material: -		Tolerance: ±0.5	
Remarks:		Date: -		Date: -		Finish: -		Projection: (Third Angle)		Site: (Factory)	
Assembly No: J851-SH03L		Rev: -		Date: -		Date: -		Date: -		Date: -	

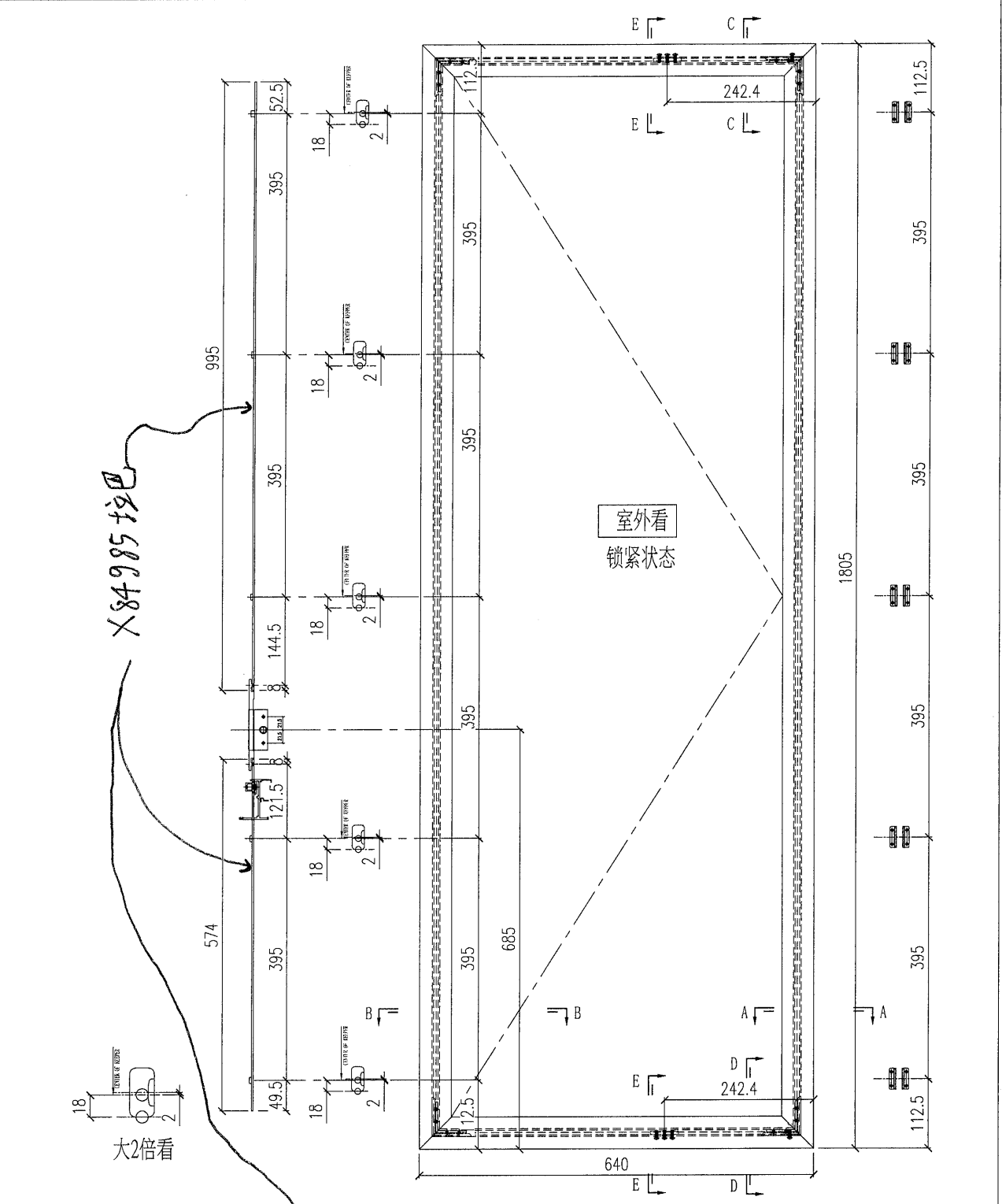


注: 1) 采用SS601-16"扇撑;
 2) 窗玉玻璃线横碰企;
 3) 采用东城202-06锁点;

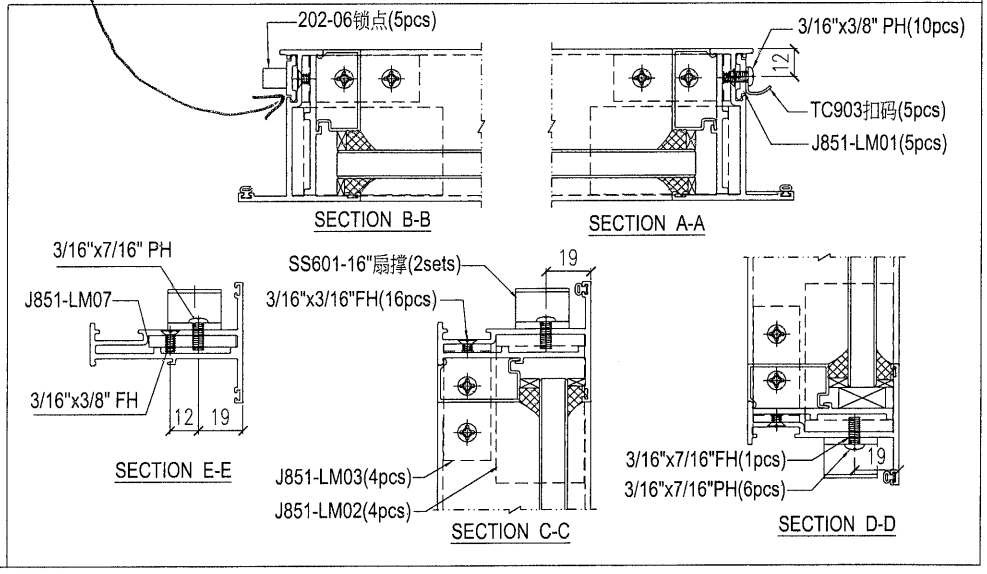


序号	窗号	数量(樘)
8	T2-W37R	2
7	T2-W36R	2
6	T2-W33R	2
5	T2-W7R	27
4	T2-W6R	27
3	T2-W3R	27
2	T1-W34	2
1	T1-W4	27

Project Name: 青衣190		Project No. J851		Checked: -		Description: 窗玉组装图		QTY: -		Delivery to: Rev. Date	
Shop Drawing No. PRE-CAST ALUM. WINDOW & LOUVRE		Rev. -		Date: 15-02-2020		Material: -		Tolerance: ±0.5		Factory	
Drawn: W.E.X		Date: 15-02-2020		Finish: -		Projection:		Site		Assembly No. J851-SH03R	
Remarks:		Date: -		Date: -		Date: -		Date: -		Date: -	

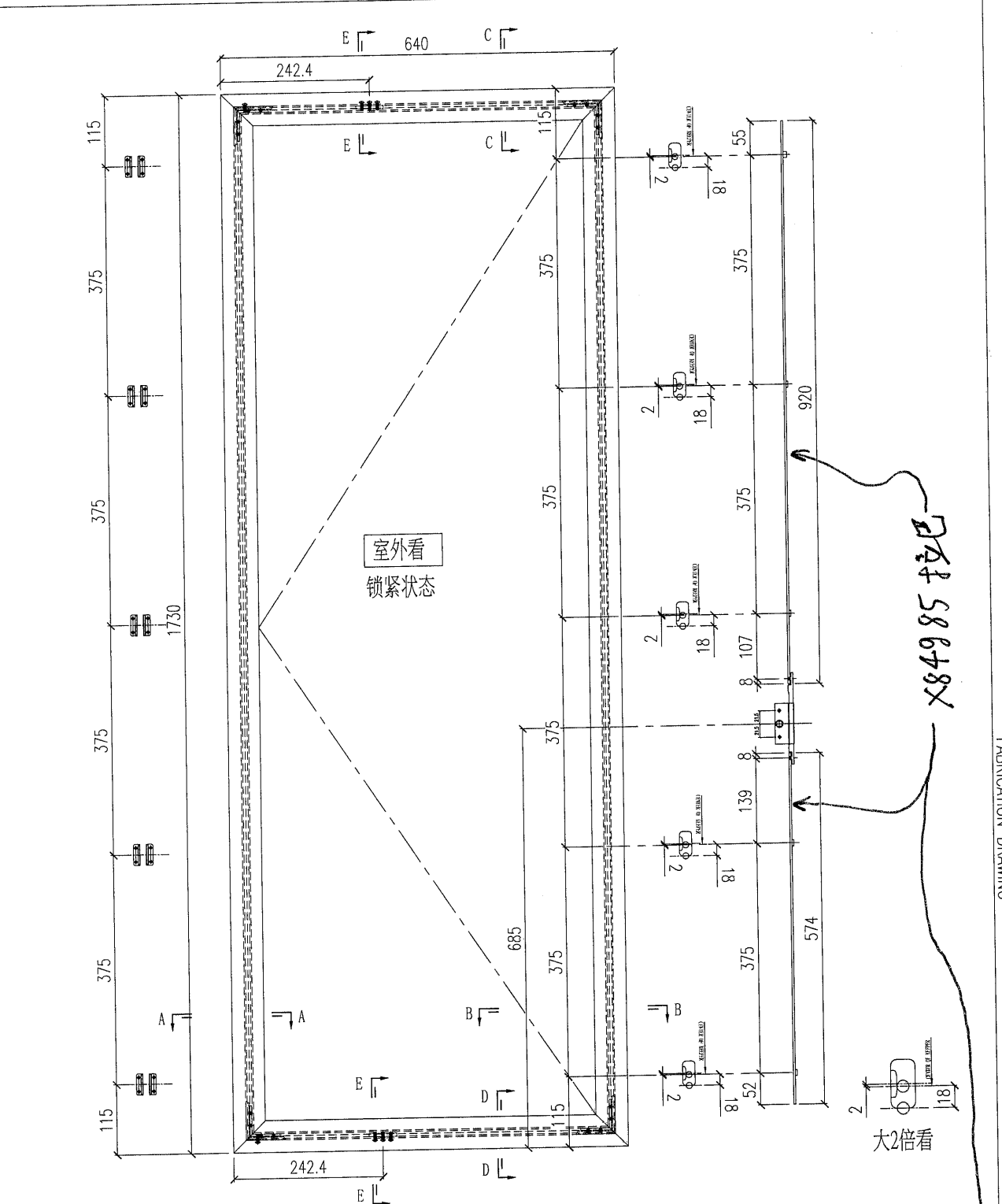


- 注: 1) 采用SS601-16"扇撑;
 2) 窗玉玻璃线横磁企;
 3) 采用东城202-06锁点;

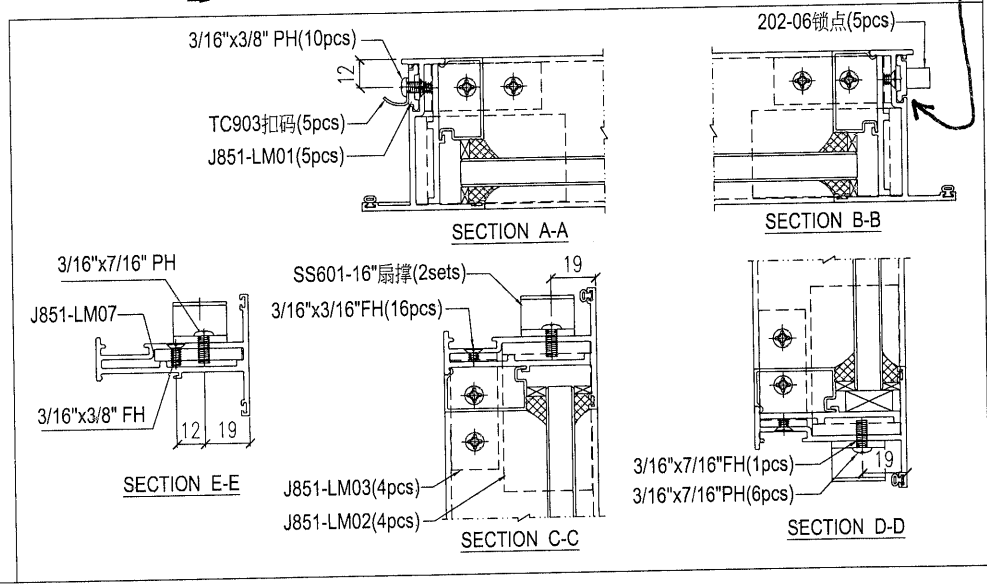


序号	窗号	数量 (幅)
8	T2-W34R	2
7	T2-W4R	27
6	T1-W37	2
5	T1-W36	2
4	T1-W33	2
3	T1-W7	27
2	T1-W6	27
1	T1-W3	27

Remarks:		Checked: -		Date: -		Description: 窗玉组装图		QTY: -		Delivery to: (Factory)		Rev: -	
Project Name: 青衣190		Project No. J851		Drawn: W.E.X		Material: -		Tolerance: ±0.5		Site: -		Date: -	
Shop Drawing No. PRE-CAST ALUM. WINDOW & LOUVRE		Rev: -		Date: 15-02-2020		Finish: -		Projection: -		Assembly No. J851-SH04L		Rev: -	

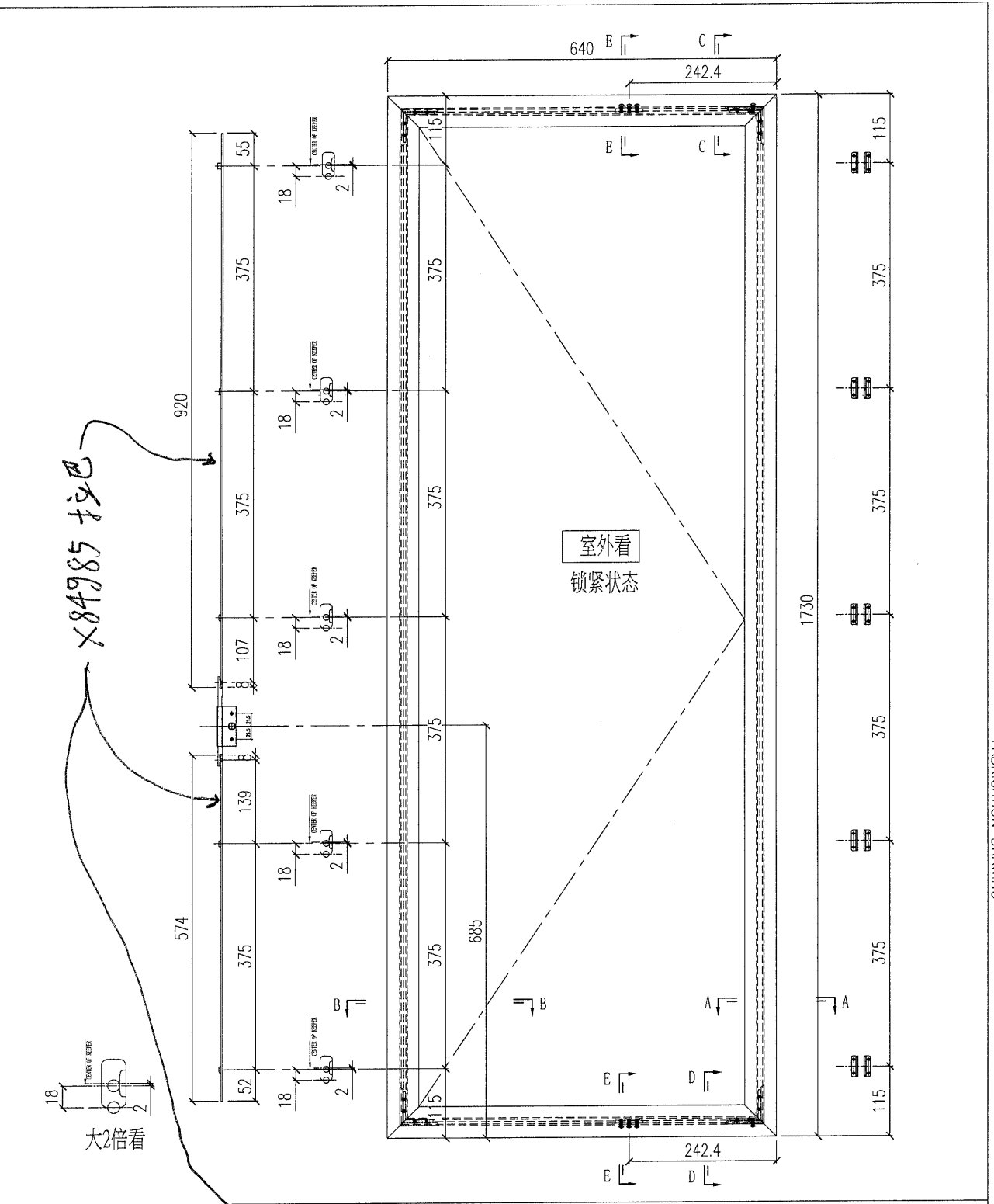


- 注: 1) 采用SS601-16"扇撑;
 2) 窗玉玻璃线横碰企;
 3) 采用东城202-06锁点;

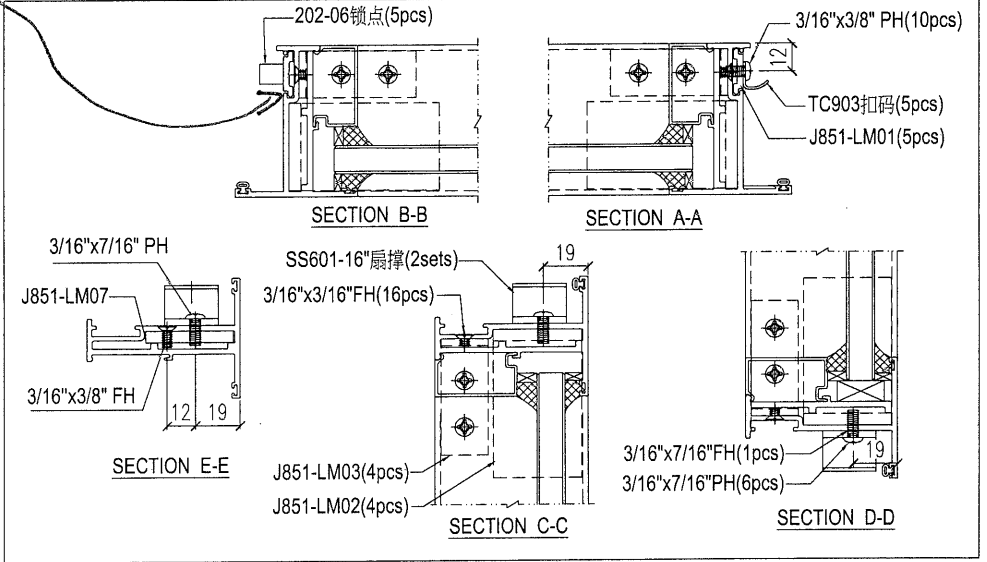


序号	窗号	数量 (幅)
2	T2-W32	2
1	T1-W32	3

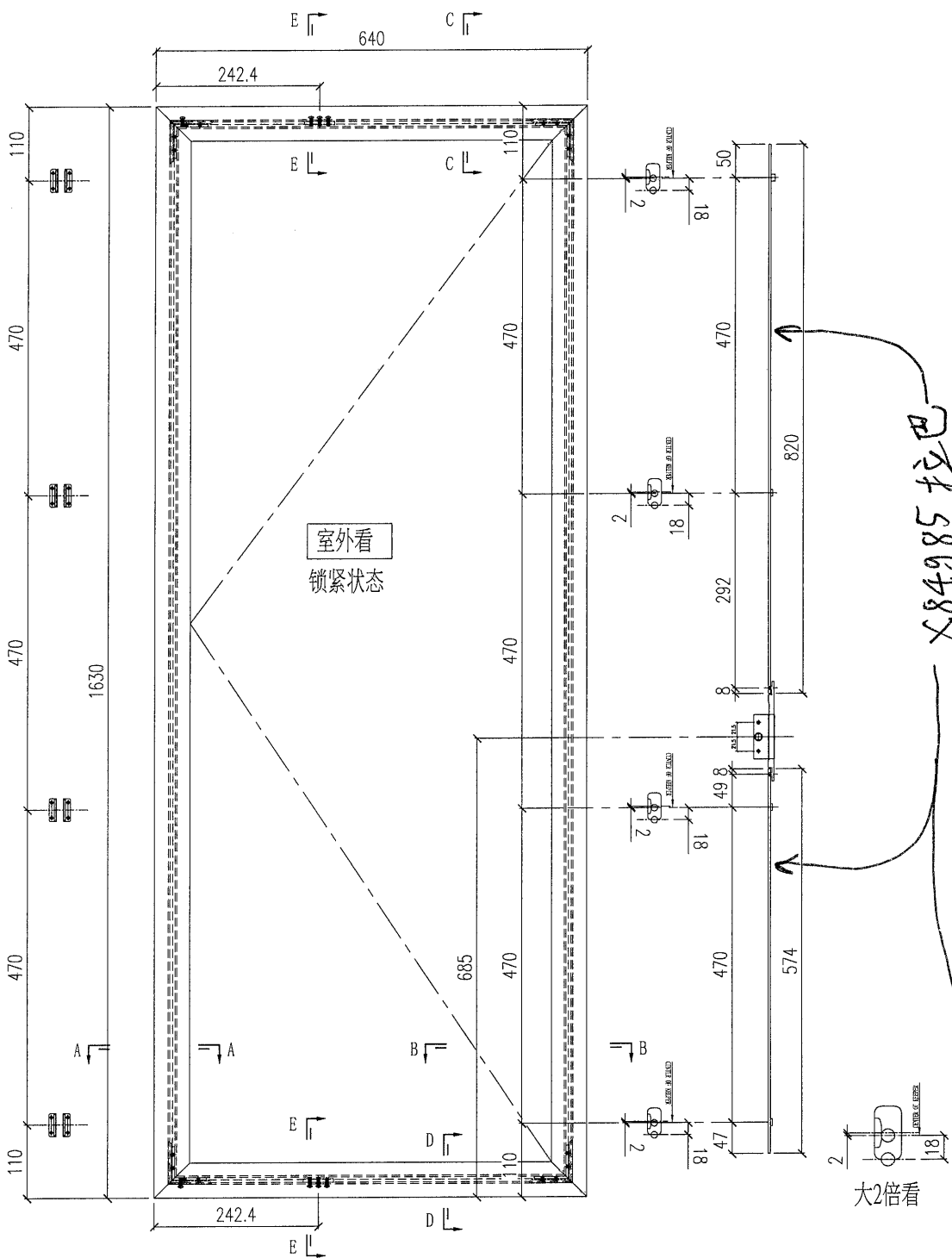
Project Name: 青衣190		Project No. J851		Checked: -		Description: 窗玉组装图		QTY: -		Delivery to: Factory	
Shop Drawing No. PRE-CAST ALUM. WINDOW & LOUVRE		Rev. -		Date: 15-02-2020		Material: -		Tolerance: ±0.5		Site: -	
Drawn: W.E.X		Date: -		Date: -		Finish: -		Projection:		Assembly No. J851-SH04R	
Remarks:		Date: -		Date: -		Date: -		Date: -		Rev. -	



- 注: 1) 采用SS601-16"扇撑;
 2) 窗玉玻璃线横碰企;
 3) 采用东城202-06锁点;



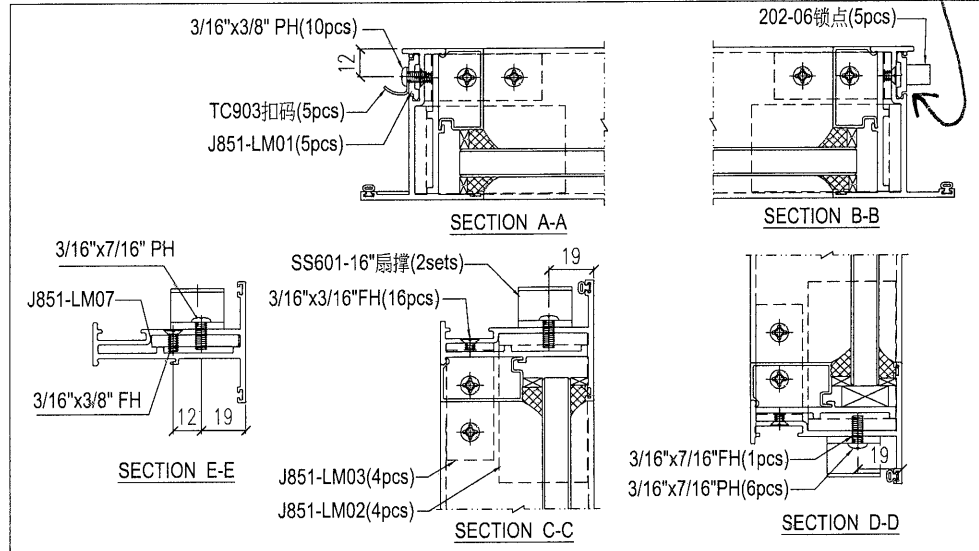
序号	窗号	数量(幅)
2	T2-W32R	3
1	T1-W32R	3



X84985 拉巴

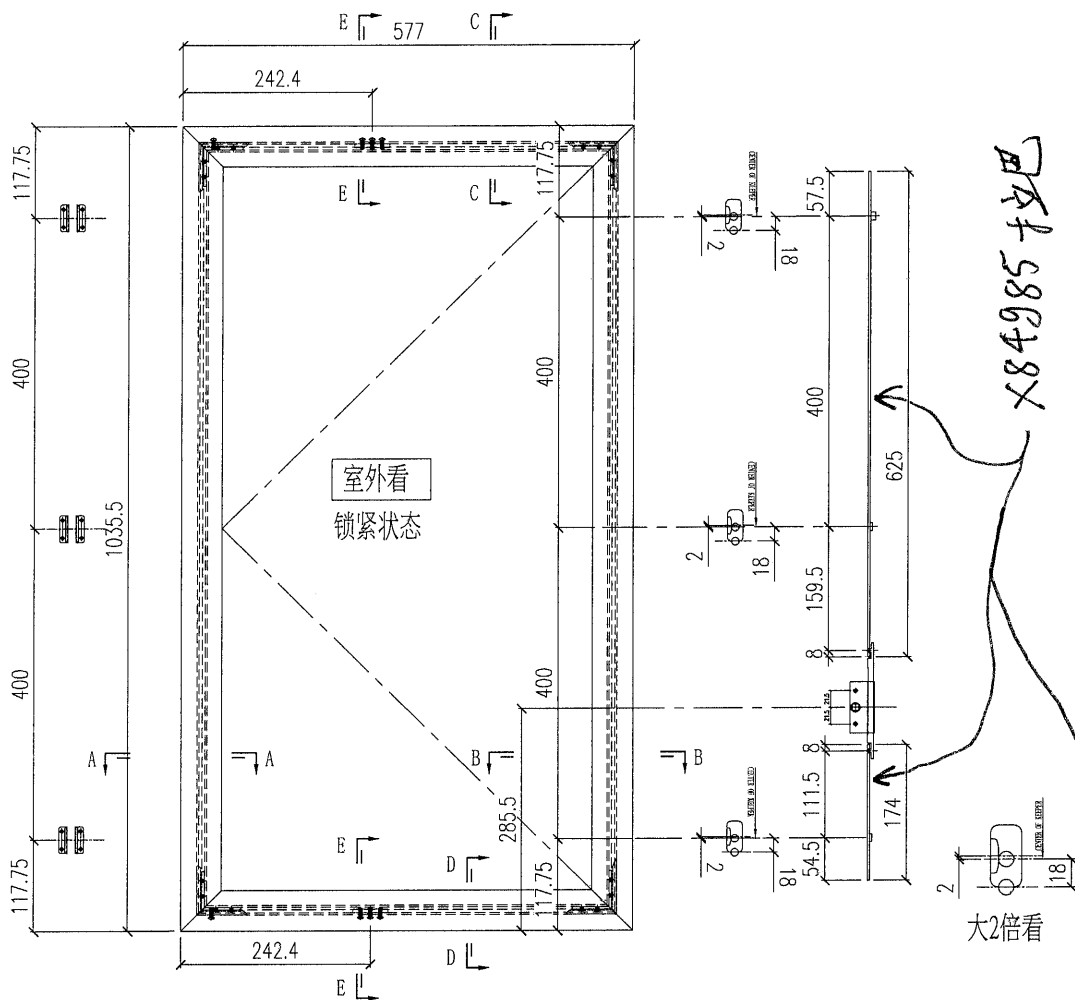
大2倍看

- 注: 1) 采用SS601-16"扇撑;
 2) 窗玉玻璃线横碰企;
 3) 采用东城202-06锁点;



Remarks:	Checked: -	Description:	QTY:	Delivery to:	Amendments
Project Name: 青衣190	Date: -	窗玉组装图	-	Factory	
Project No: J851	Drawn: W.E.X	Material: -	Tolerance: ±0.5	Site	
Rev: -	Date: 15-02-2020	Finish: -	Projection:	Assembly No: J851-SH05L	

1	T1-W44	1
序号	窗号	数量(幅)

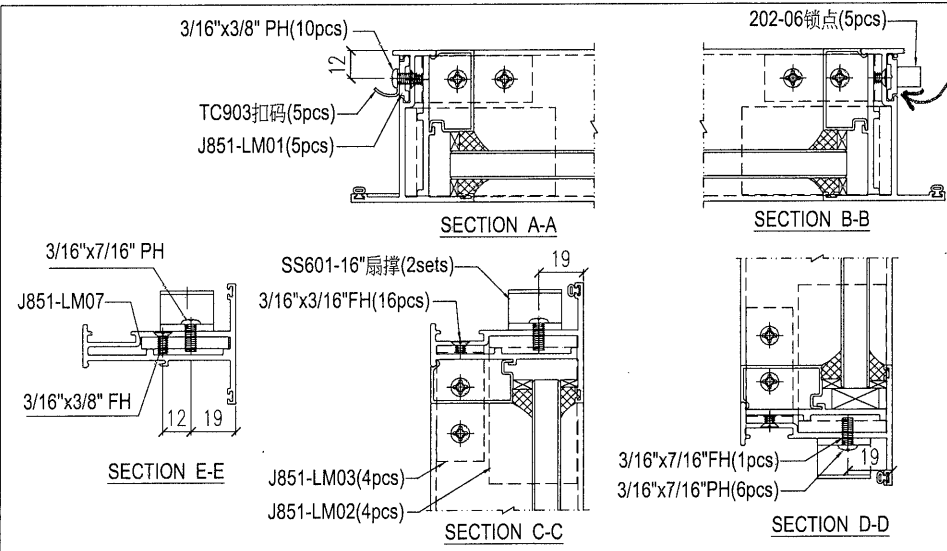


室外看
锁紧状态

X84985 封把

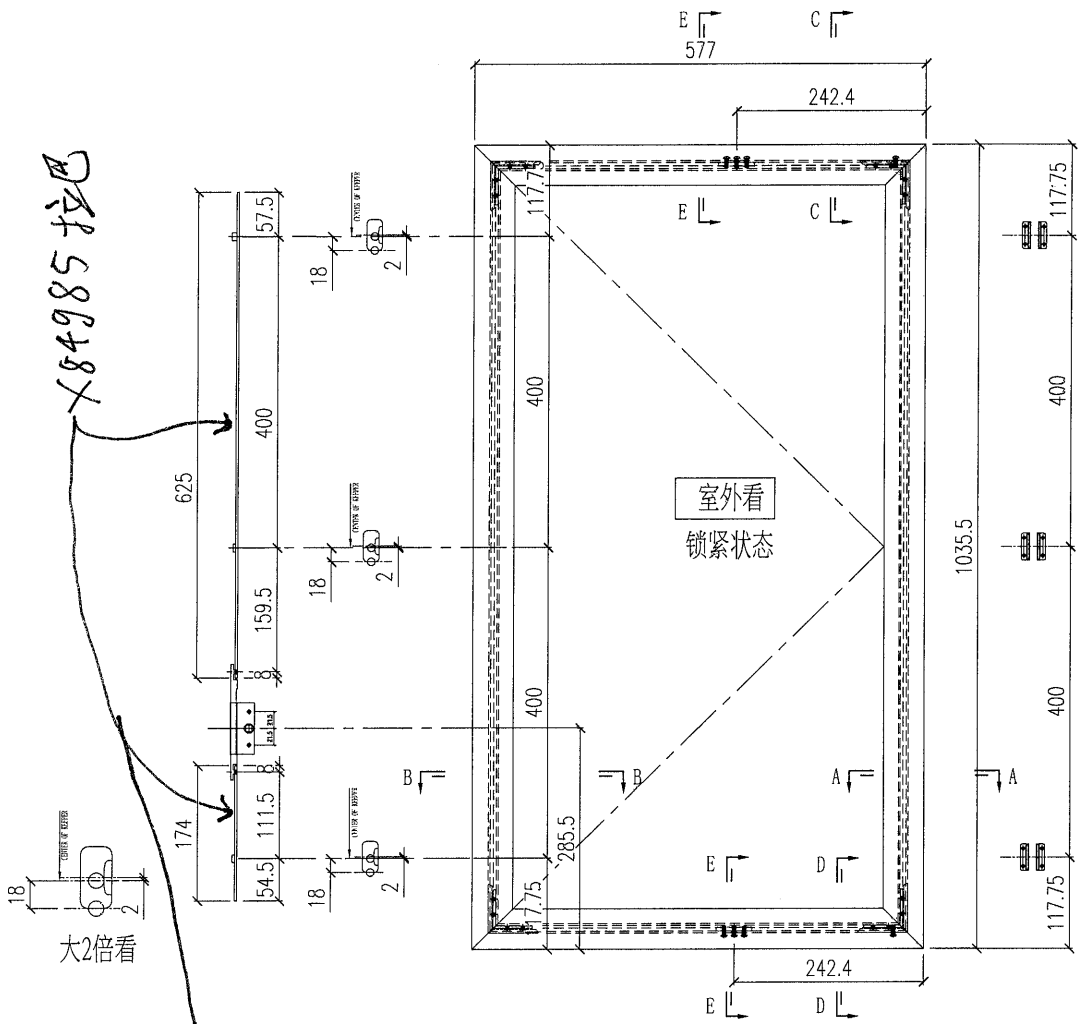
大2倍看

- 注: 1) 采用SS601-16"扇撑;
2) 窗玉玻璃线横碰企;
3) 采用东城202-06锁点;



2	T2-W15	54
1	T1-W15	26
序号	窗号	数量(幅)

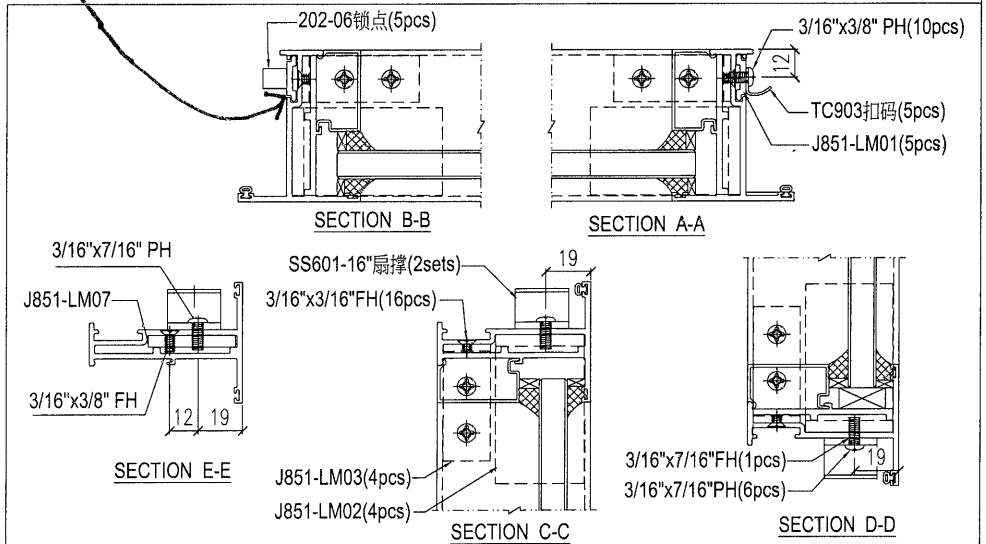
Remarks:		Checked: -		Date: -		Description: 窗玉组装图		QTY: -		Tolerance: ±0.5		Delivery to: Factory		Date: -		Amendments	
Project Name: 青衣190		Project No. J851		Drawn: W.E.X		Material: -		Projection:		Site:		Assembly No. J851-SH06L		Rev. -			
Shop Drawing No. PRE-CAST ALUM. WINDOW & LOUVRE		Rev. -		Date: 15-02-2020		Finish: -											



窗玉组装图

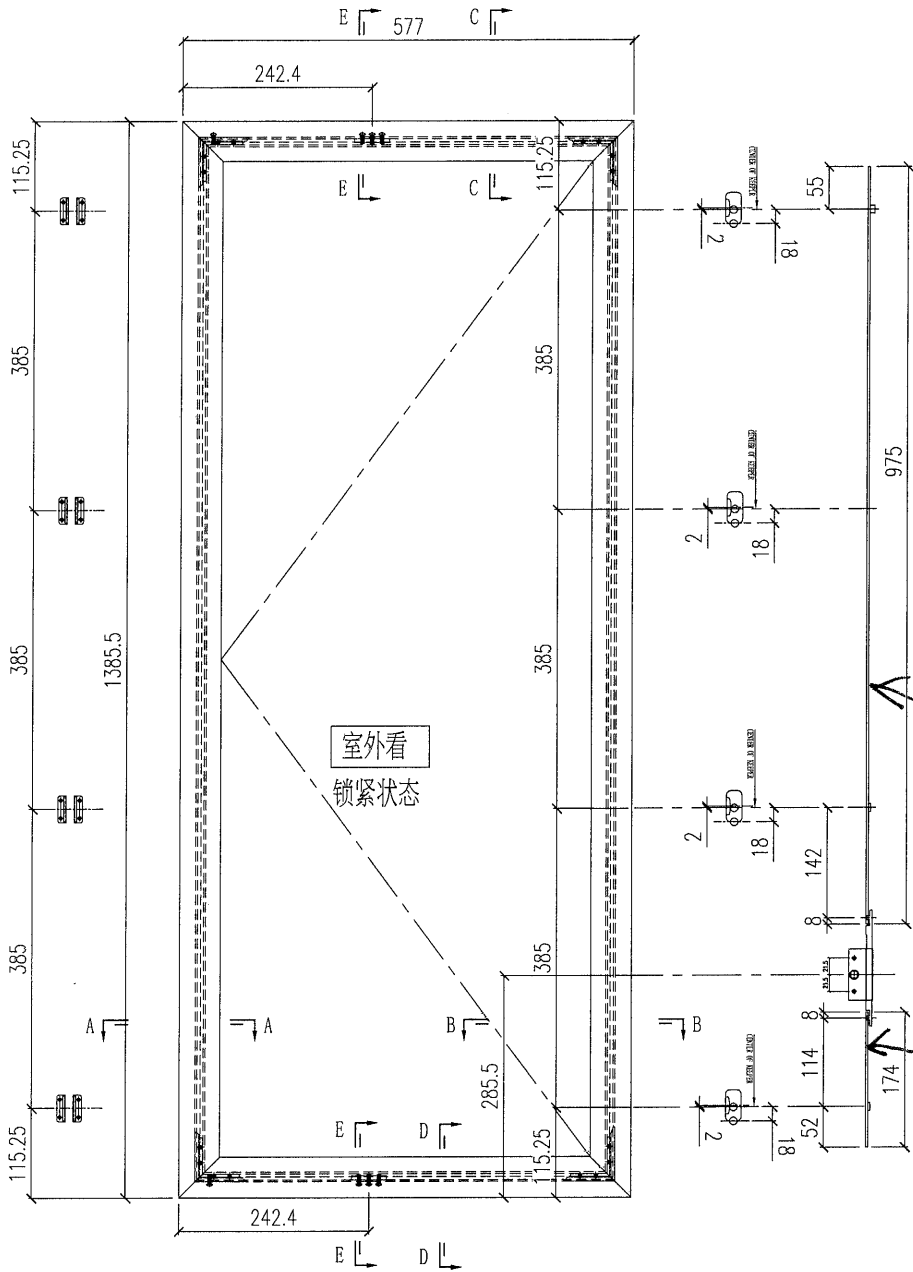
大2倍看

- 注: 1) 采用SS601-16"扇撑;
 2) 窗玉玻璃线横碰企;
 3) 采用东城202-06锁点;



2	T2-W15	27
1	T1-W15	52
序号	窗号	数量(幅)

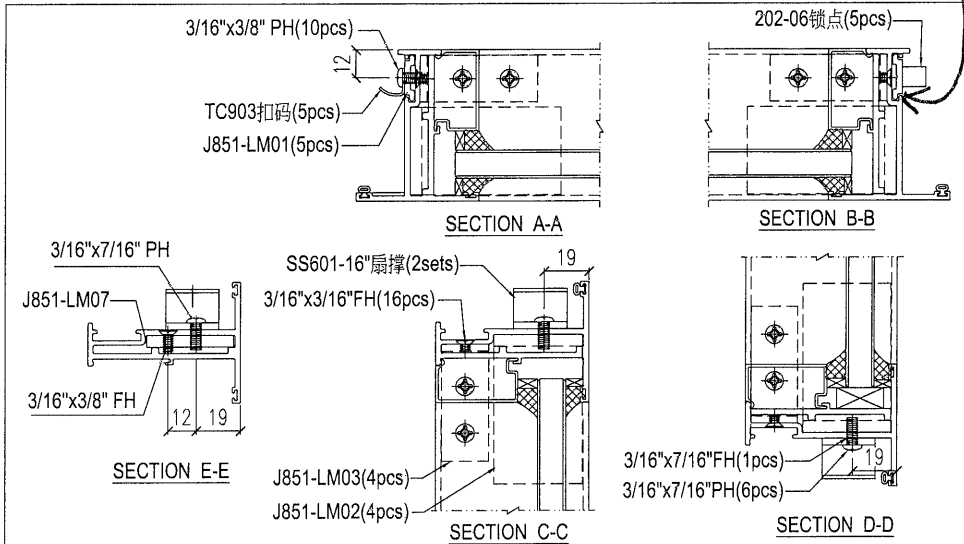
Remarks:		Checked:		Description:		QTY:		Delivery to:		Amendments	
Project Name: 青衣190		Project No. J851		Material: -		Tolerance: ±0.5		Factory			
Shop Drawing No. PRE-CAST ALUM. WINDOW & LOUVRE		Date: 15-02-2020		Material: -		Projection: ±0.5		Site			
Project No. J851		Drawn: W.E.X		Material: -		Tolerance: ±0.5		Assembly No. J851-SH06R			
Rev. -		Date: 15-02-2020		Material: -		Projection: ±0.5		Rev. -			



X84985 执把

大2倍看

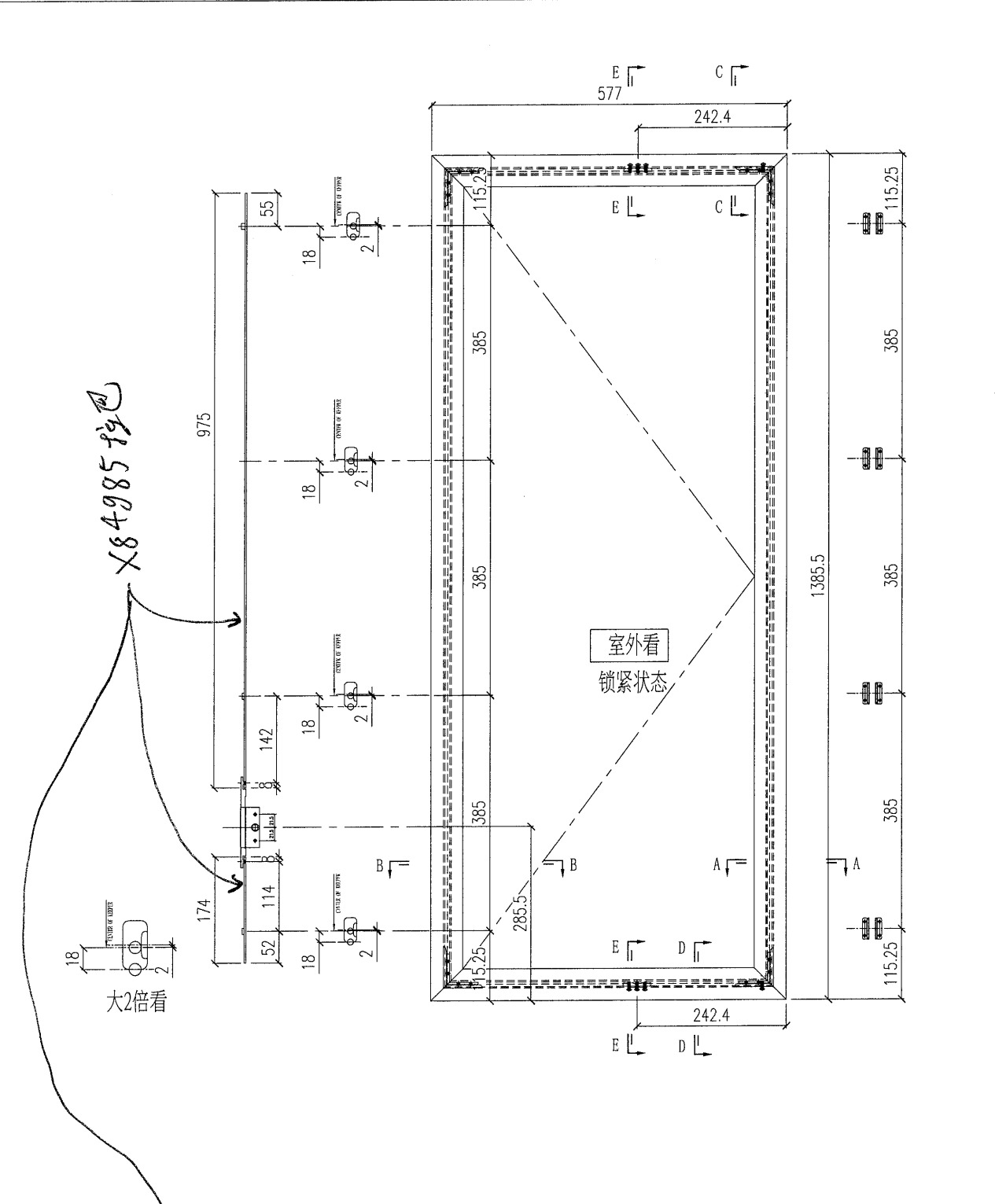
- 注: 1) 采用SS601-16"扇撑;
 2) 窗玉玻璃线横碰企;
 3) 采用东城202-06锁点;



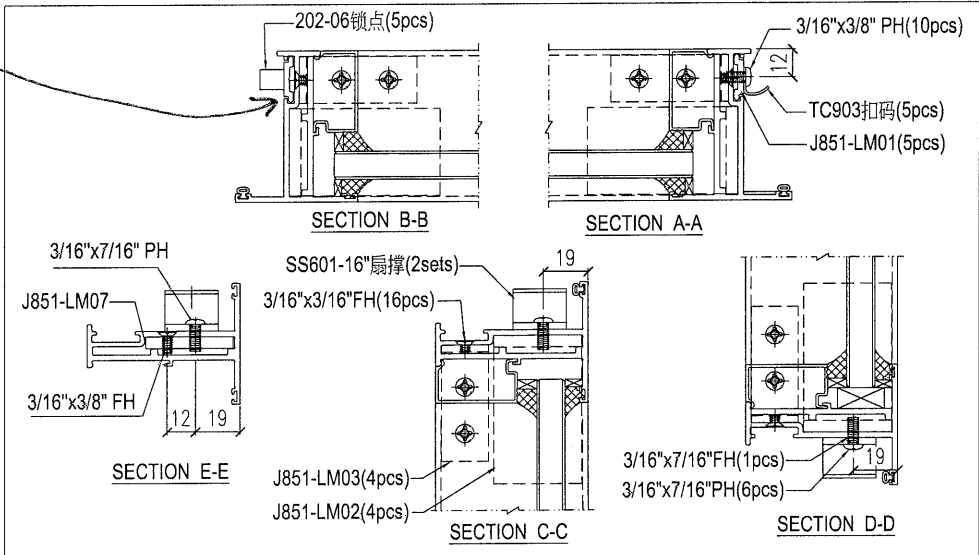
2	T2-W45	4
1	T1-W45	2
序号	窗号	数量(幅)

Remarks:		Checked: -		Description: 窗玉组装机		QTY: -		Delivery to: Factory		Date: -		Amendments:	
Project Name: 青衣190		Date: -		Material: -		Tolerance: ±0.5		Site: (Factory icon)		Rev.:		Rev.:	
Shop Drawing No. PRE-CAST ALUM. WINDOW & LOUVERE		Project No. J851		Drawn: W.E.X		Projection: (Symbol)		Assembly No. J851-SH07L		Date: 15-02-2020		Rev.:	

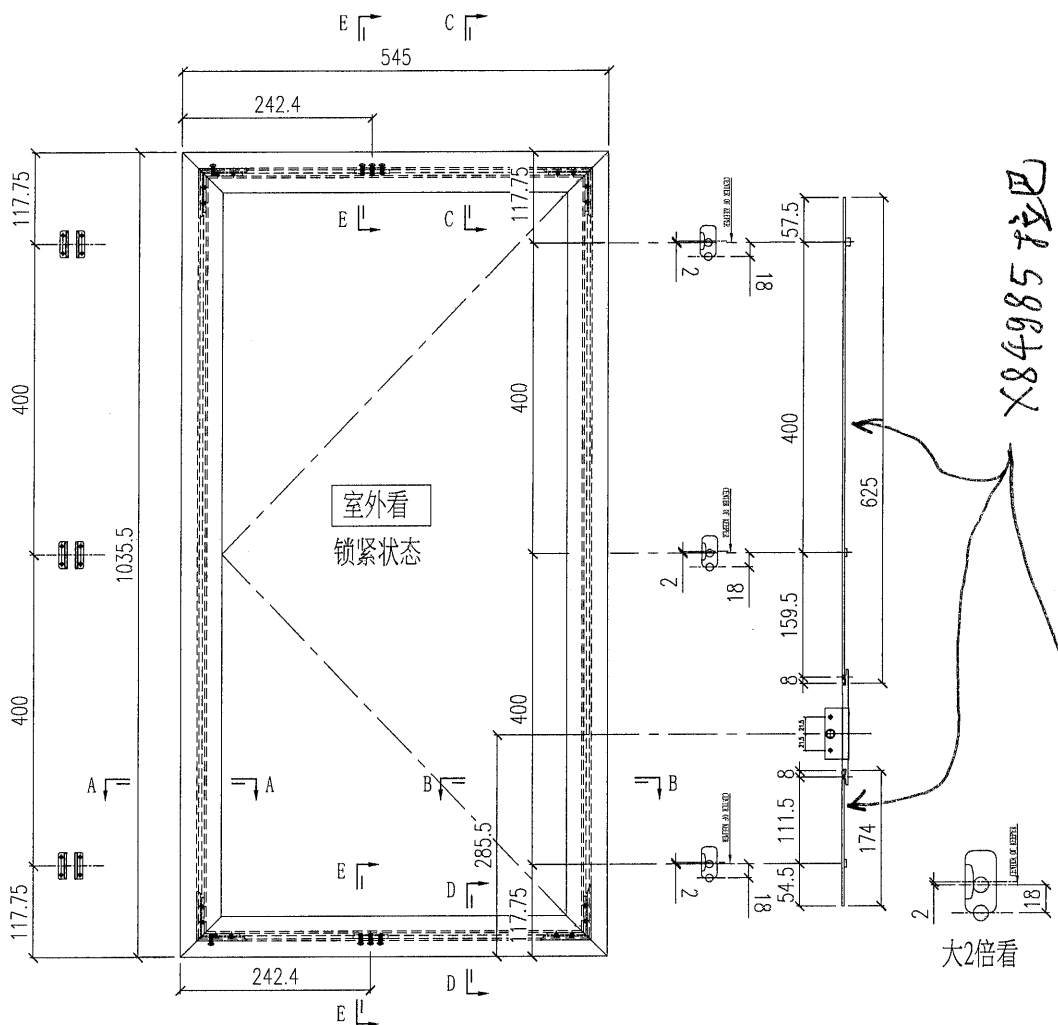
Project Name: 青衣190		Project No: J851		Checked: -		Description: 窗玉组装图		QTY: -		Delivery to: Factory	
Shop Drawing No: PRE-CAST ALUM. WINDOW & LOUVRE		Rev: -		Date: 15-02-2020		Material: -		Tolerance: ±0.5		Rev: -	
Drawn: W.E.X		Date: 15-02-2020		Finish: -		Projection:		Site:		Assembly No: J851-SH07R	
Remarks:		Date: -		Date: -		Date: -		Date: -		Date: -	



- 注: 1) 采用SS601-16"扇撑;
 2) 窗玉玻璃线横碰企;
 3) 采用东城202-06锁点;

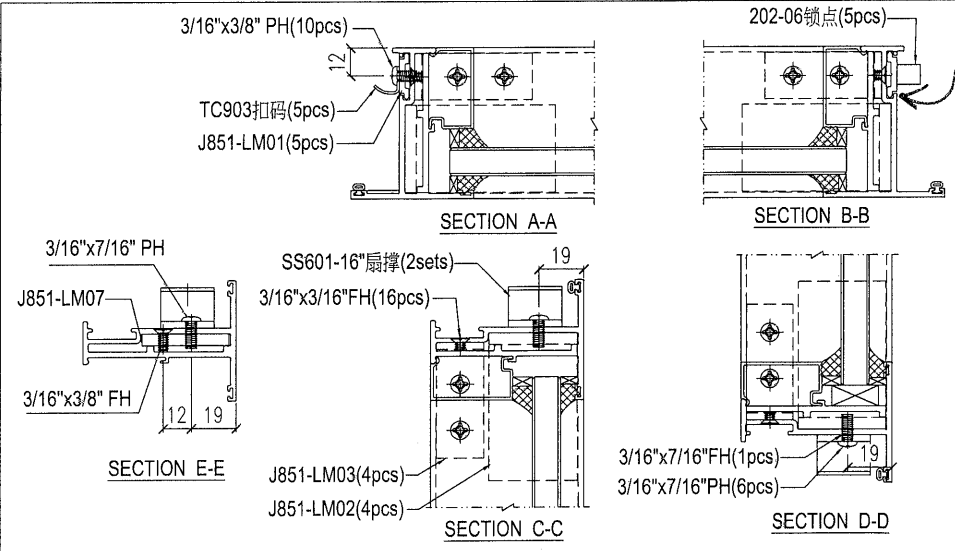


2	T2-W45	2
1	T1-W45	4
序号	窗号	数量(幅)



窗玉组装图

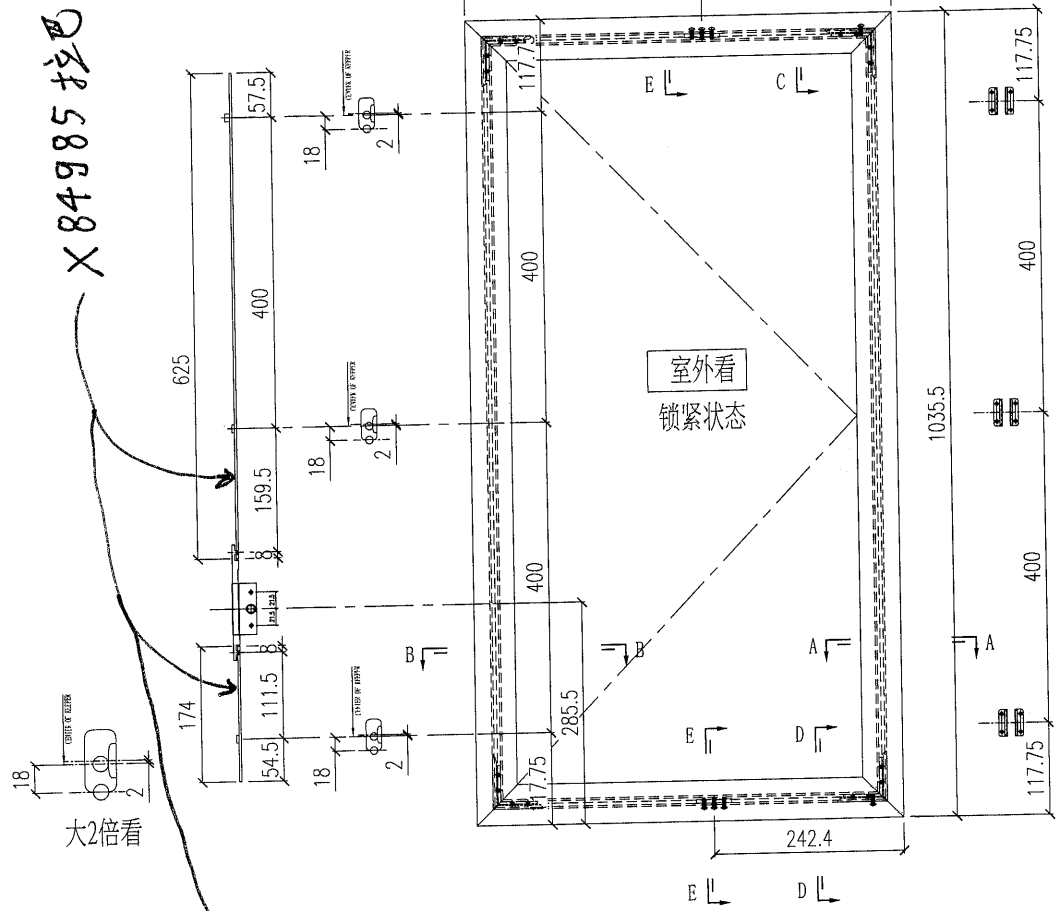
- 注: 1) 采用SS601-14"扇撑;
 2) 窗玉玻璃线横碰企;
 3) 采用东城202-06锁点;



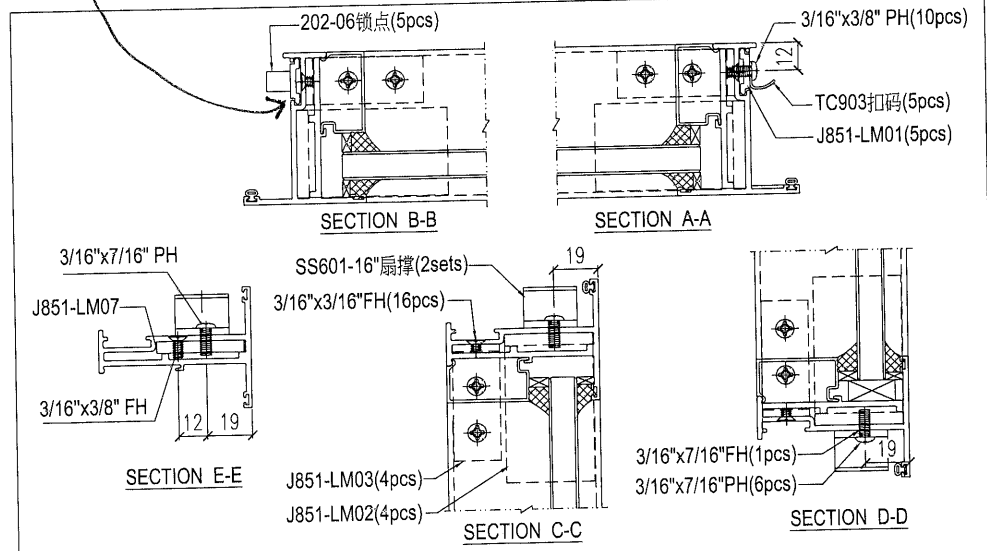
2	T2-W16	54
1	T1-W16	54
序号	窗号	数量(幅)

Remarks:		Checked: -		Description: 窗玉组装图		QTY: -		Delivery to: Rev. Date		Amendments	
Project Name: 青衣190		Project No. J851		Material: -		Tolerance: ±0.5		Factory		Date	
Shop Drawing No. PRE-CAST ALUM. WINDOW & LOUVRE		Rev. -		Drawn: W.E.X		Projection: 第三角		Site		Assembly No. J851-SH08L	
Date: 15-02-2020		Date: -		Finish: -		Finish: -		Rev. -		Rev. -	

Remarks:		Checked: -		Description: 窗玉组装图		QTY: -		Delivery to: -		Date: -		Amendments	
Project Name: 青衣190		Project No: J851		Material: -		Tolerance: ±0.5		Factory		Date: -			
Shop Drawing No: PRE-CAST ALUM. WINDOW & LOUVER		Rev: -		Drawn: W.E.X		Projection: -		Site		Date: -			
Date: 15-02-2020		Date: -		Finish: -		Projection: -		Assembly No: J851-SH08R		Date: -		Rev: -	

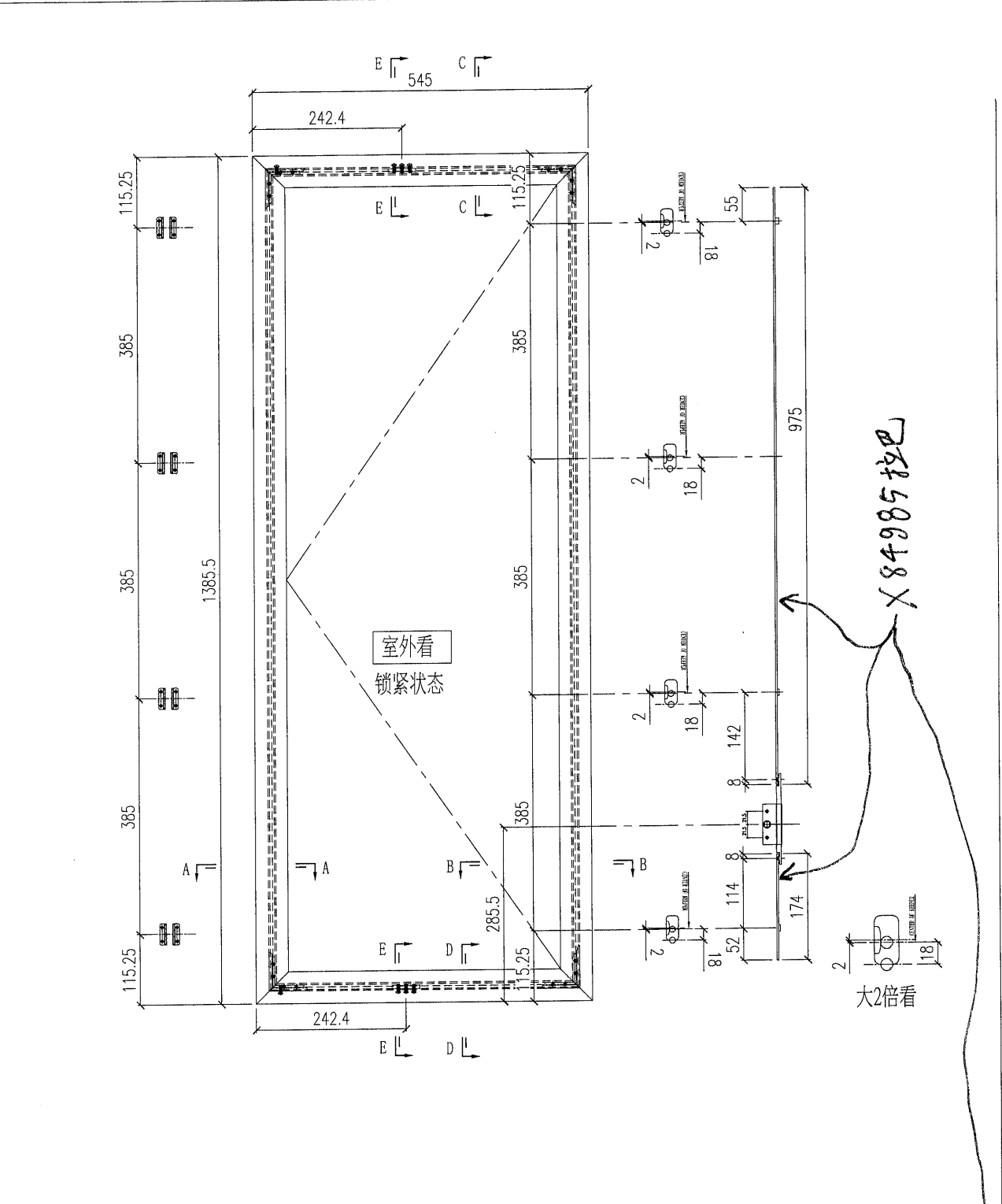


- 注: 1) 采用SS601-14"扇撑;
 2) 窗玉玻璃线横企企;
 3) 采用东城202-06锁点;

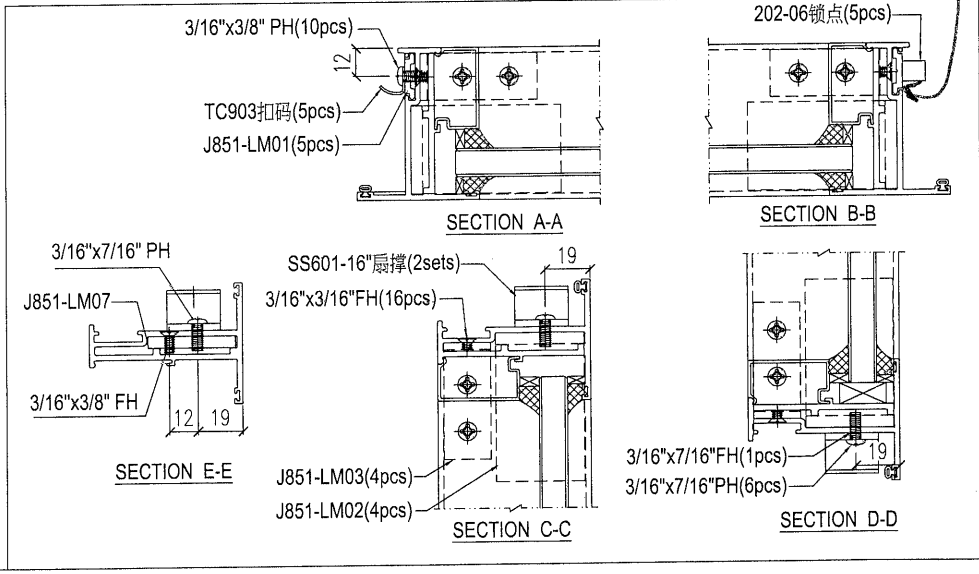


2	T2-W16	54
1	T1-W16	54
序号	窗号	数量(幅)

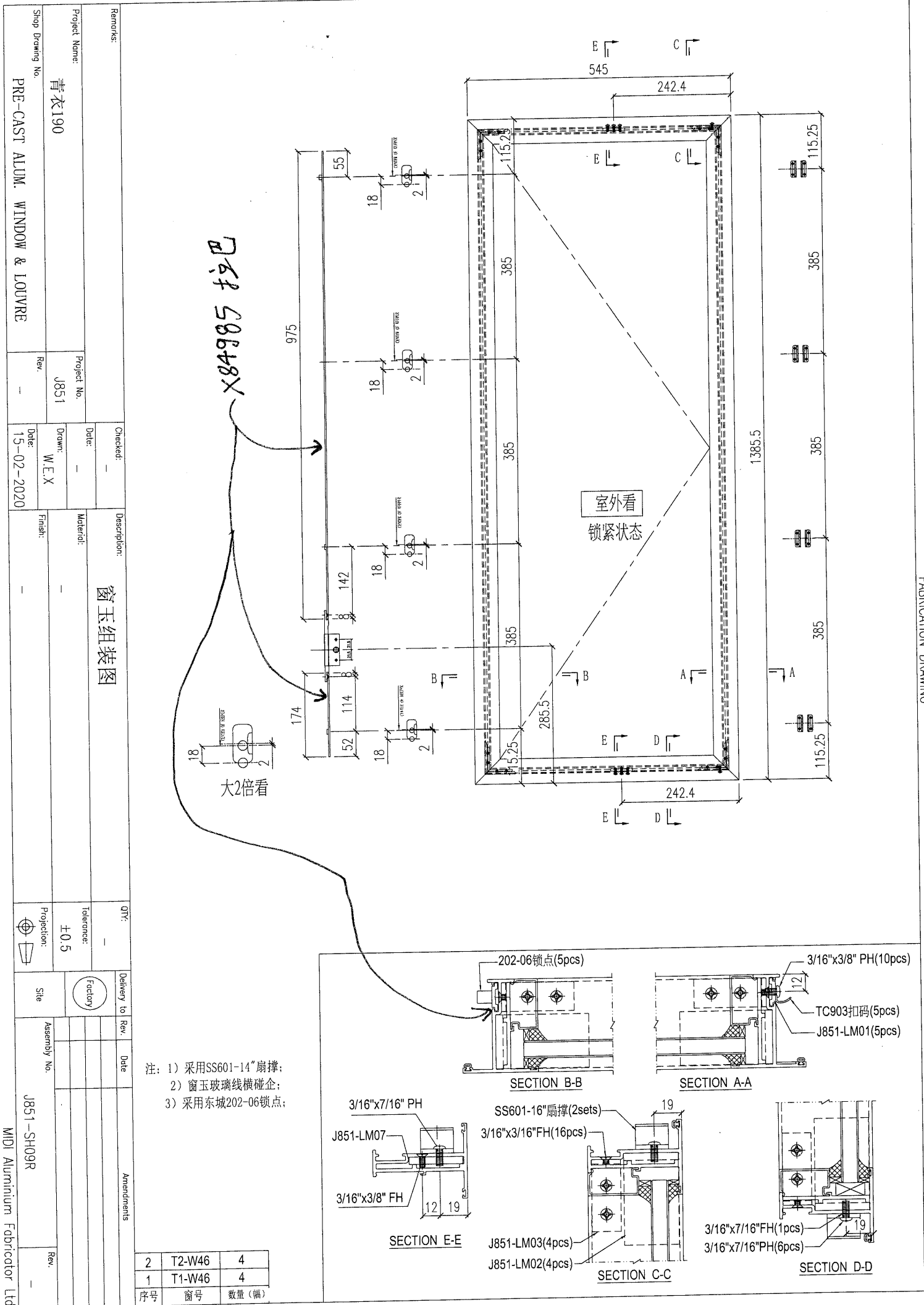
Remarks:		Checked:		Description:		QTY:		Delivery to		Amendments	
Project Name: 青衣190		Date: -		窗玉组装图		-		Factory		-	
Project No.: J851		Date: -		Material:		±0.5		Rev.		Date	
Shop Drawing No.: PRE-CAST ALUM. WINDOW & LOUVERE		Date: 15-02-2020		Finish:		-		Site		Assembly No.	
Rev.:		Date:		Material:		-		Rev.		Date	
Rev.:		Date:		Material:		-		Rev.		Date	



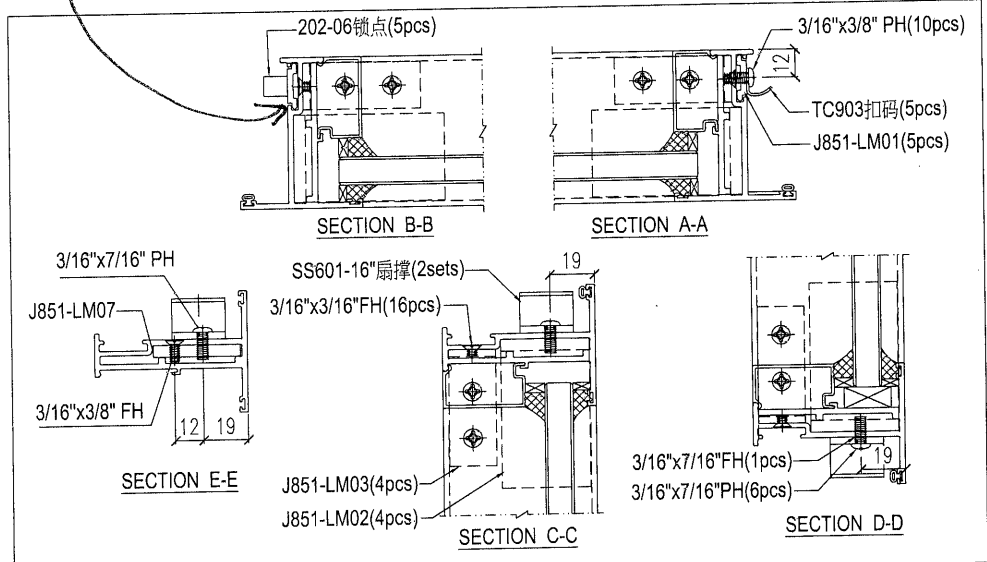
- 注: 1) 采用SS601-14"扇撑;
 2) 窗玉玻璃线横碰企;
 3) 采用东城202-06锁企;



2	T2-W46	4
1	T1-W46	4
序号	窗号	数量(幅)

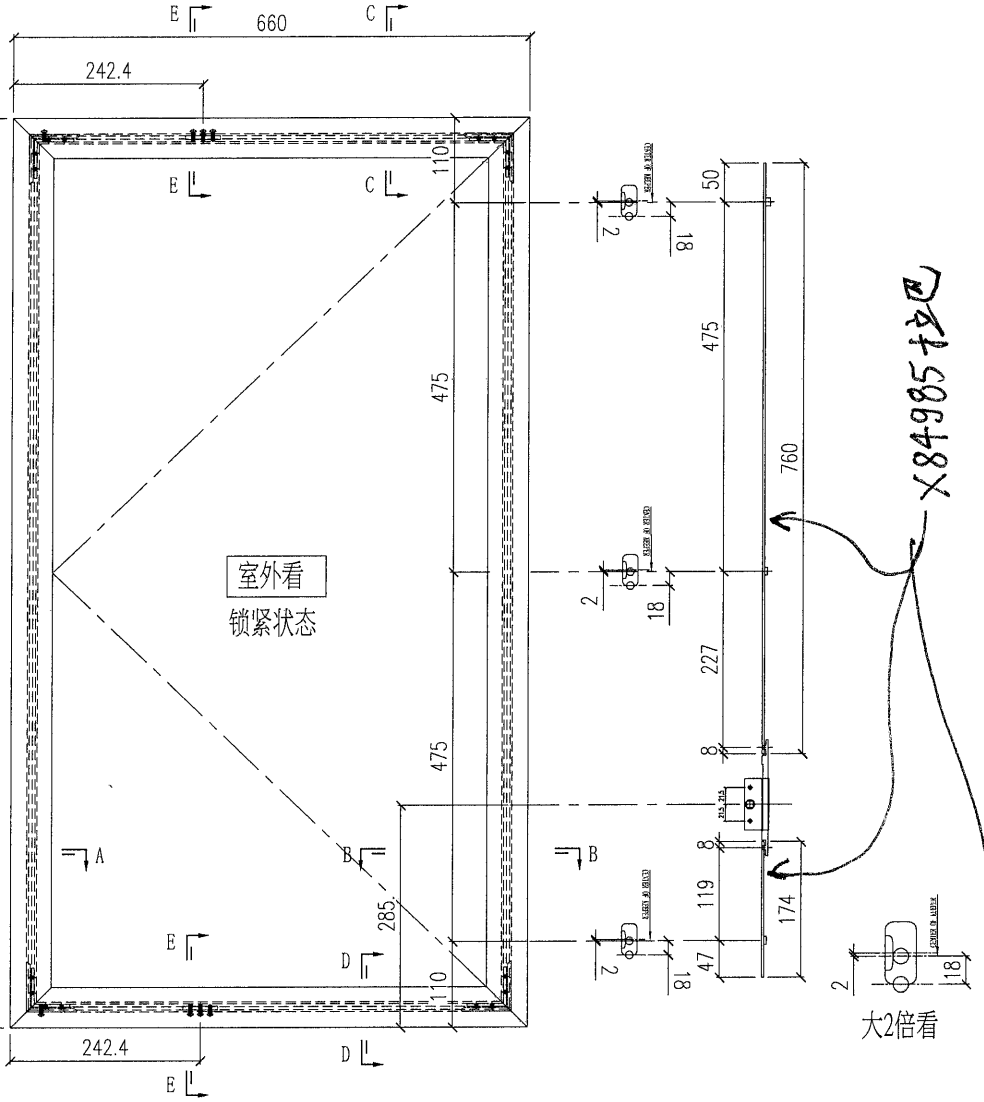


- 注: 1) 采用SS601-14"扇撑;
 2) 窗玉玻璃线横碰企;
 3) 采用东城202-06锁点;



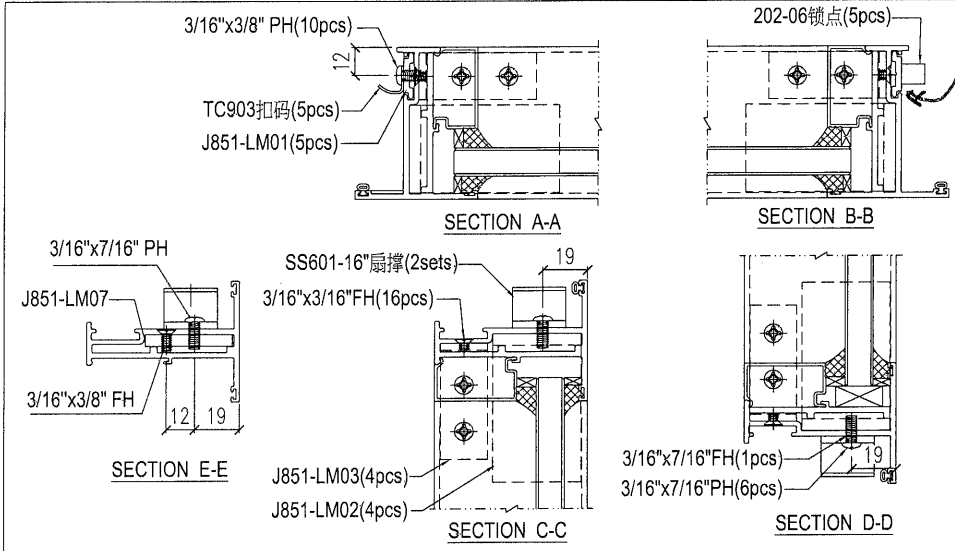
序号	窗号	数量 (幅)
2	T2-W46	4
1	T1-W46	4

Remarks:		Checked: -		Description: 窗玉组装图		QTY: -		Delivery to Rev. Date		Arrangements	
Project Name: 青衣190		Project No. J851		Material: -		Tolerance: ±0.5		Factory		-	
Shop Drawing No. PRE-CAST ALUM. WINDOW & LOUVRE		Rev. -		Drawn: W.E.X		Projection:		Site		-	
		Date: 15-02-2020		Finish: -		-		Assembly No. J851-SH09R		Rev. -	
MIDI Aluminium Fabricator Ltd.											



窗玉组装图

- 注: 1) 采用SS601-16"扇撑;
 2) 窗玉玻璃线横碰企;
 3) 采用东城202-06锁点;



4	T2-W40R	2
3	T2-W52	2
2	T2-W22	27
1	T2-W10R	54
序号	窗号	数量(幅)

Remarks:

Project Name: 青衣190

Project No: J851

Shop Drawing No: PRE-CAST ALUM. WINDOW & LOUVRE

Checked: -

Drawn: W.E.X

Date: 15-02-2020

Description: 窗玉组装图

Material: -

Finish: -

QTY: -

Tolerance: ±0.5

Projection: -

Delivery to: Factory

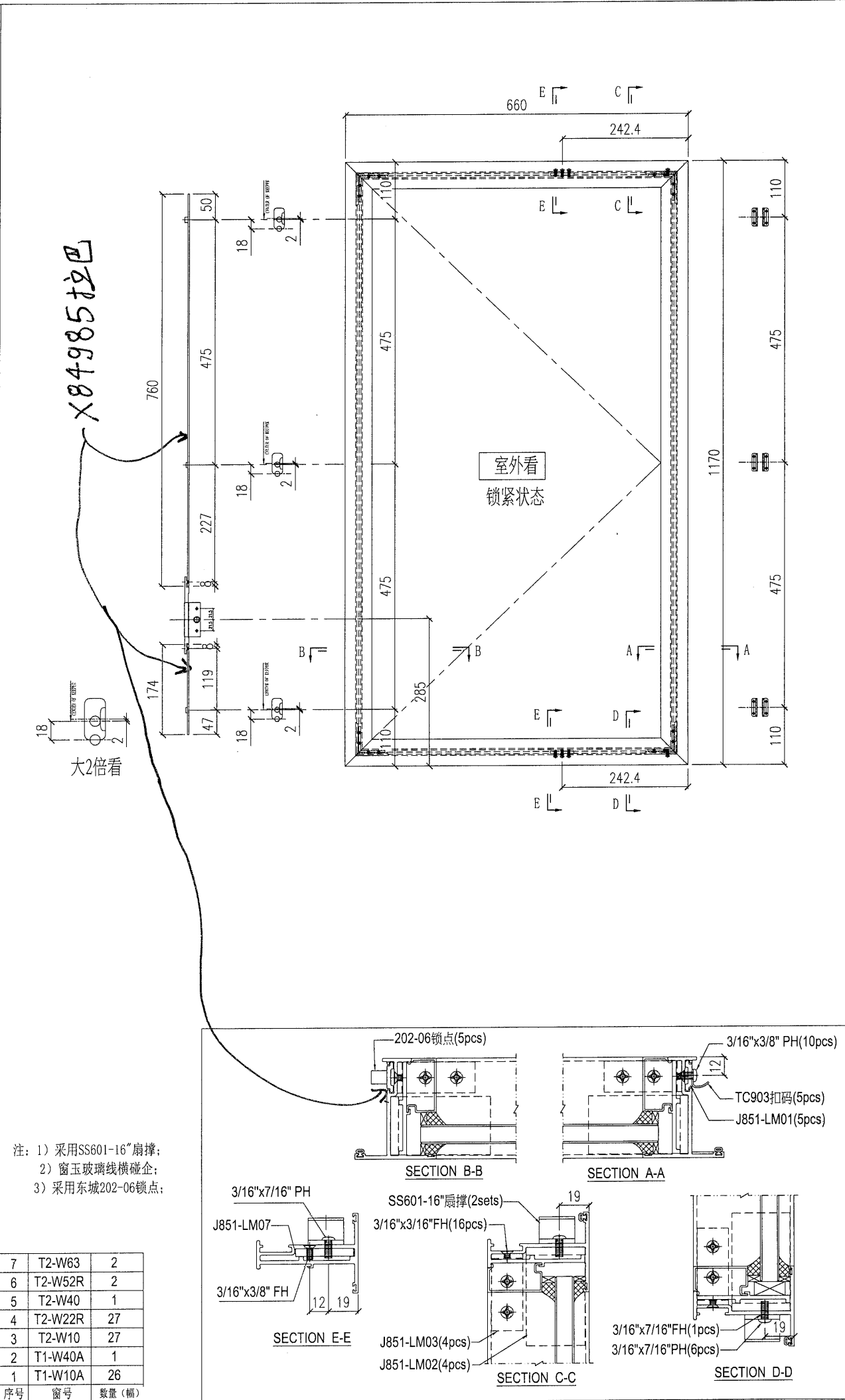
Rev: -

Date: -

Assembly No: J851-SH10L

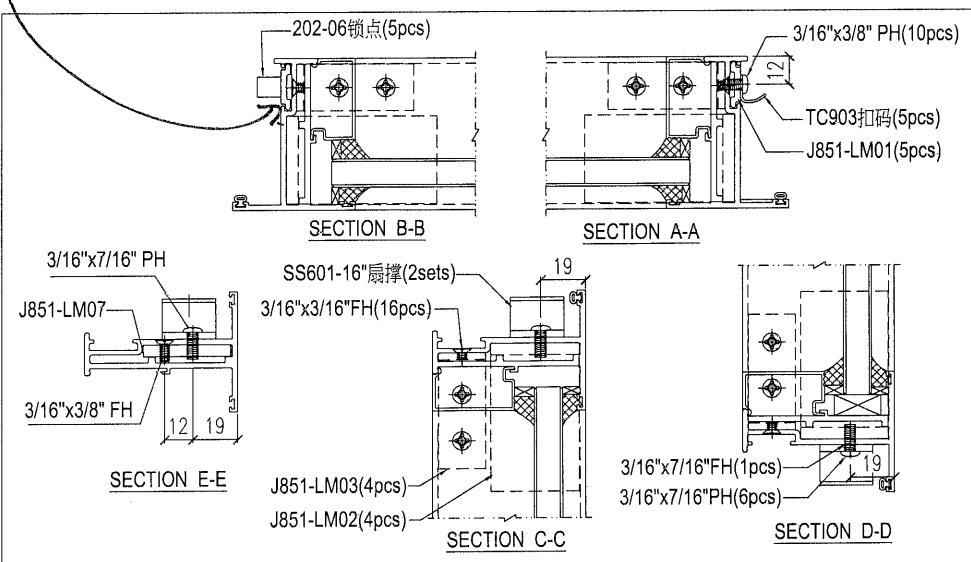
Rev: -

Project Name: 青衣190		Project No: J851		Checked: -		Description: 窗玉组装图		QTY: -		Delivery to: <input checked="" type="radio"/> Factory <input type="radio"/> Site	
Shop Drawing No: PRE-CAST ALUM. WINDOW & LOUVRE		Rev: -		Date: 15-02-2020		Material: -		Tolerance: ±0.5		Assembly No: J851-SH10R	
Drawn: W.E.X		Date: -		Date: -		Finish: -		Projection:		Rev: -	

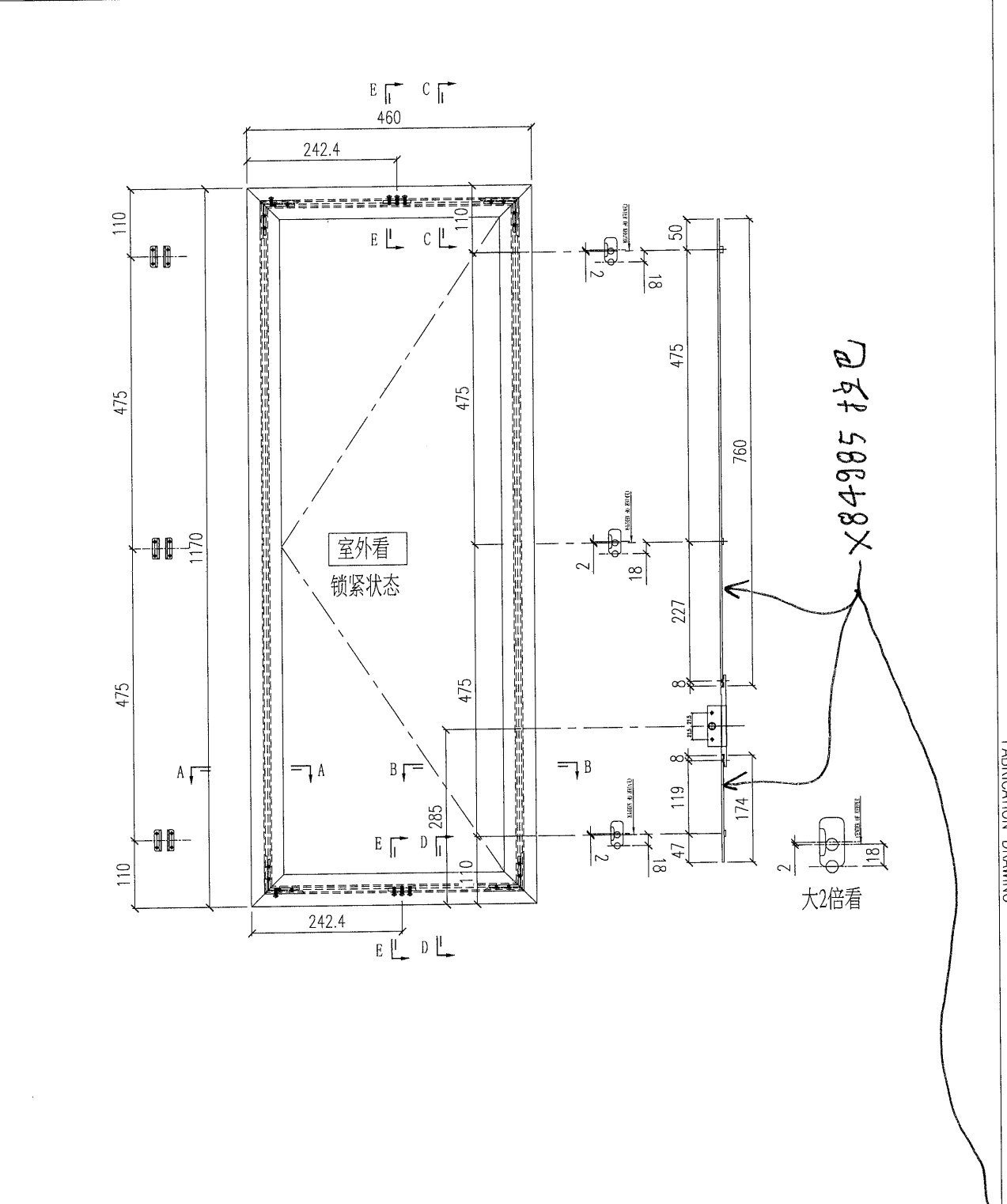


注: 1) 采用SS601-16"扇撑;
 2) 窗玉玻璃线横碰企;
 3) 采用东城202-06锁点;

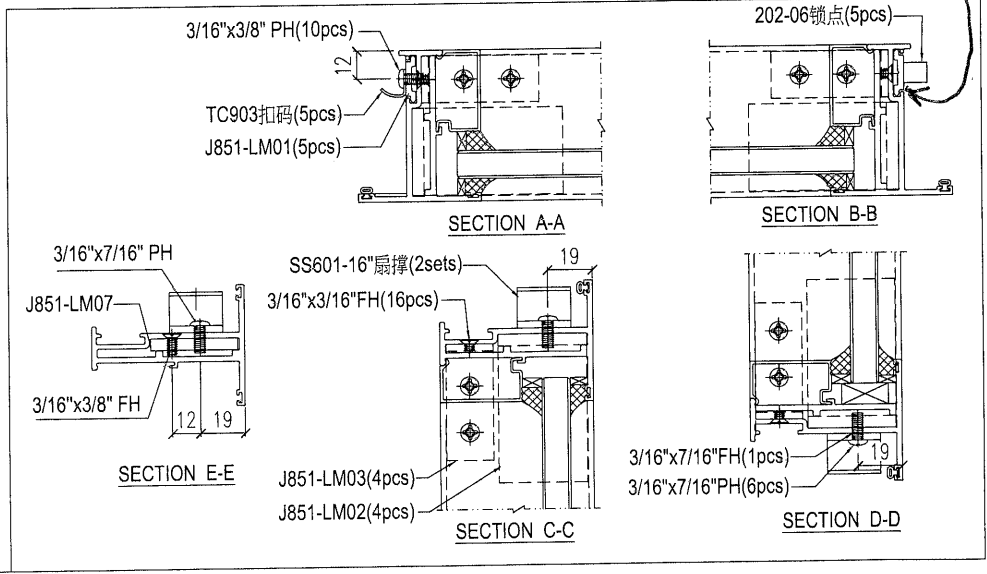
序号	窗号	数量(幅)
7	T2-W63	2
6	T2-W52R	2
5	T2-W40	1
4	T2-W22R	27
3	T2-W10	27
2	T1-W40A	1
1	T1-W10A	26



Remarks:		Checked: -		Description: 窗玉组装图		QTY: -		Delivery to Rev. Date		Amendments	
Project Name: 青衣190		Project No. J851		Material: -		Tolerance: ±0.5		Factory		Rev. 3	
Shop Drawing No. PRE-CAST ALUM. WINDOW & LOUVRE		Rev. -		Drawn: W.E.X		Projection:		Site		Rev. -	
		Date: 15-02-2020		Finish: -				Assembly No. J851-SH11L		Rev. -	



- 注: 1) 采用SS601-14"扇撑;
 2) 窗玉玻璃线横碰企;
 3) 采用东城202-06锁点;

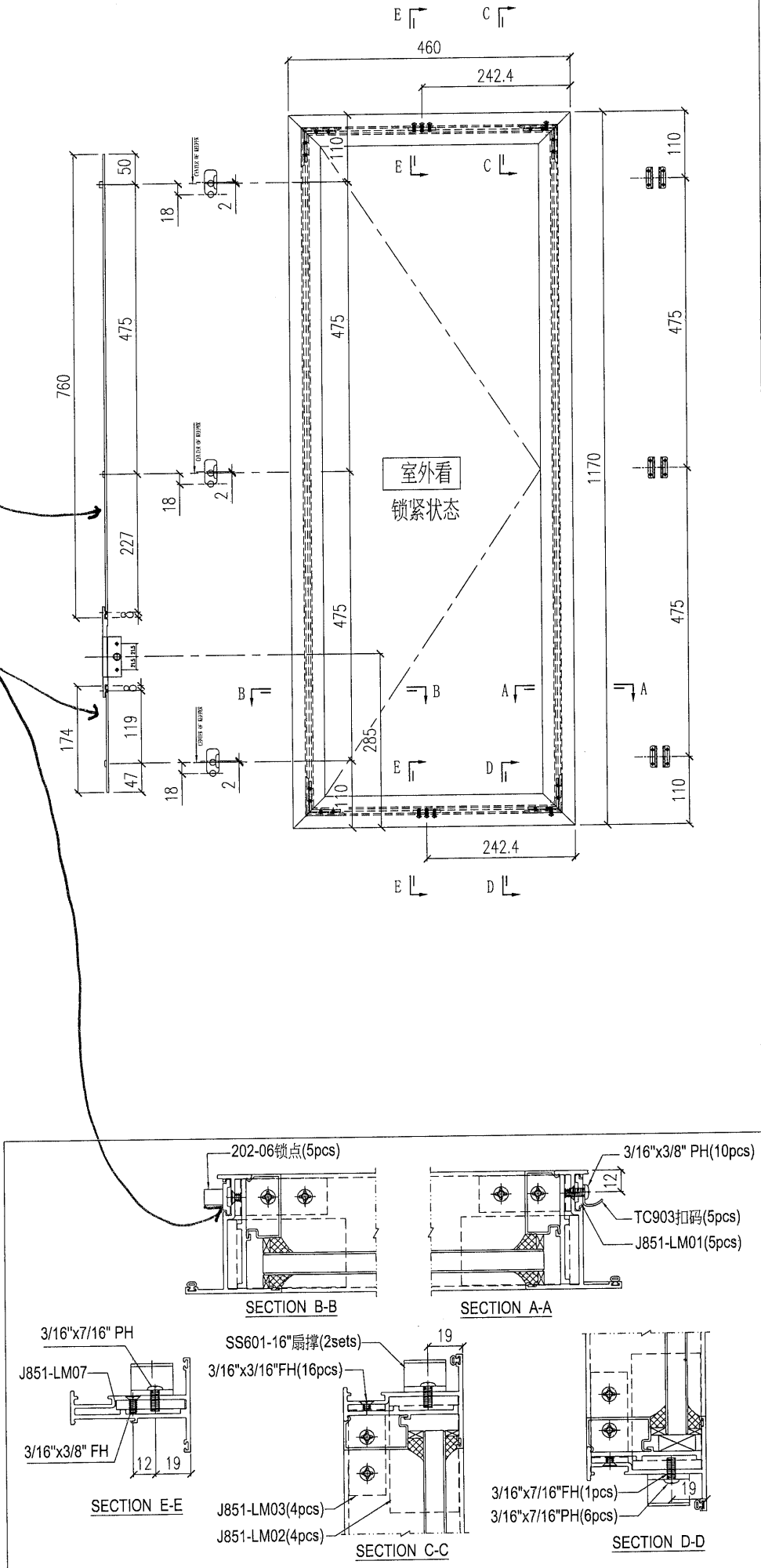


1	T2-W38	1
序号	窗号	数量(幅)

Remarks:		Checked: -		Description: 窗玉组装图		QTY: -		Delivery to: Factory		Amendments:	
Project Name: 青衣190		Date: -		Material: -		Tolerances: ±0.5		Rev.:		Rev.:	
Project No. J851		Date: 15-02-2020		Drawn: W.E.X		Projection:		Site: -		Assembly No. J851-SH11R	
Shop Drawing No. PRE-CAST ALUM. WINDOW & LOUVRE		Rev. -		Finish: -		Site: -		Rev. -		Rev. -	

×84985 执把

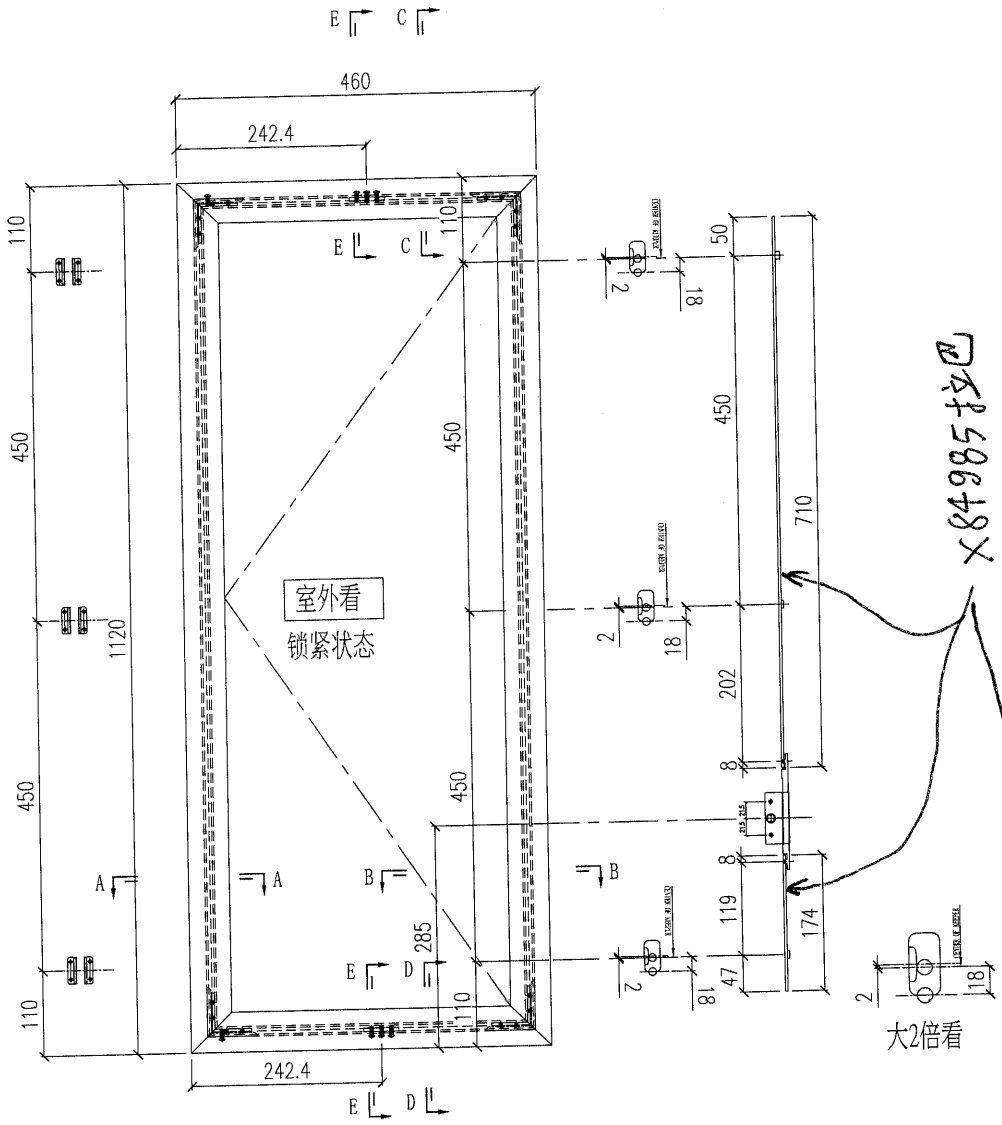
大2倍看



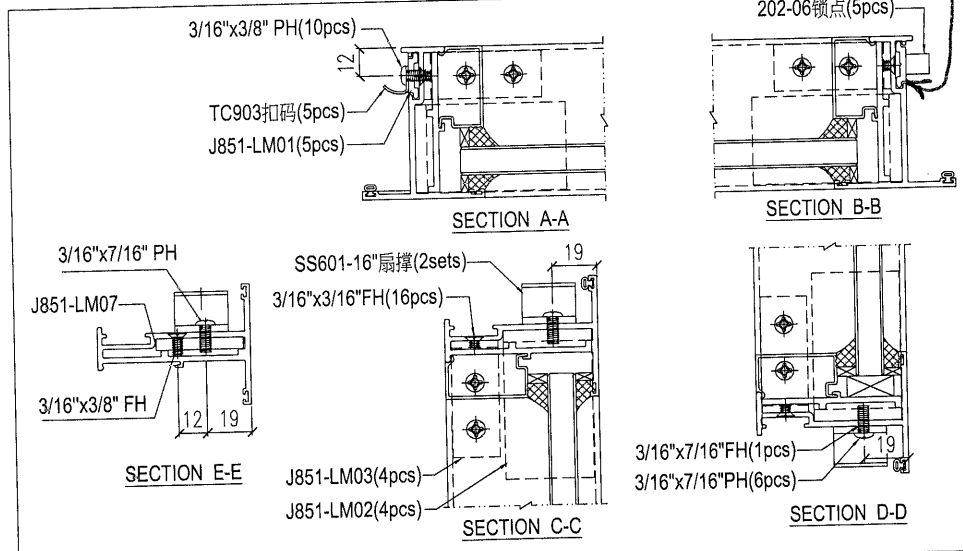
- 注: 1) 采用SS601-14"扇撑;
 2) 窗玉玻璃线横碰企;
 3) 采用东城202-06锁点;

序号	窗号	数量(幅)
3	T2-W64	2
2	T1-W64	1
1	T1-W66	1

Remarks:		Checked: -		Description: 窗玉组装图		QTY: -		Delivery to: Rev. Date		Amendments	
Project Name: 青衣190		Project No. J851		Material: -		Tolerance: ±0.5		Factory			
Shop Drawing No. PRE-CAST ALUM. WINDOW & LOUVER		Rev. -		Drawn: W.E.X		Date: 15-02-2020		Site		Assembly No. J851-SH12L	
										Rev. -	



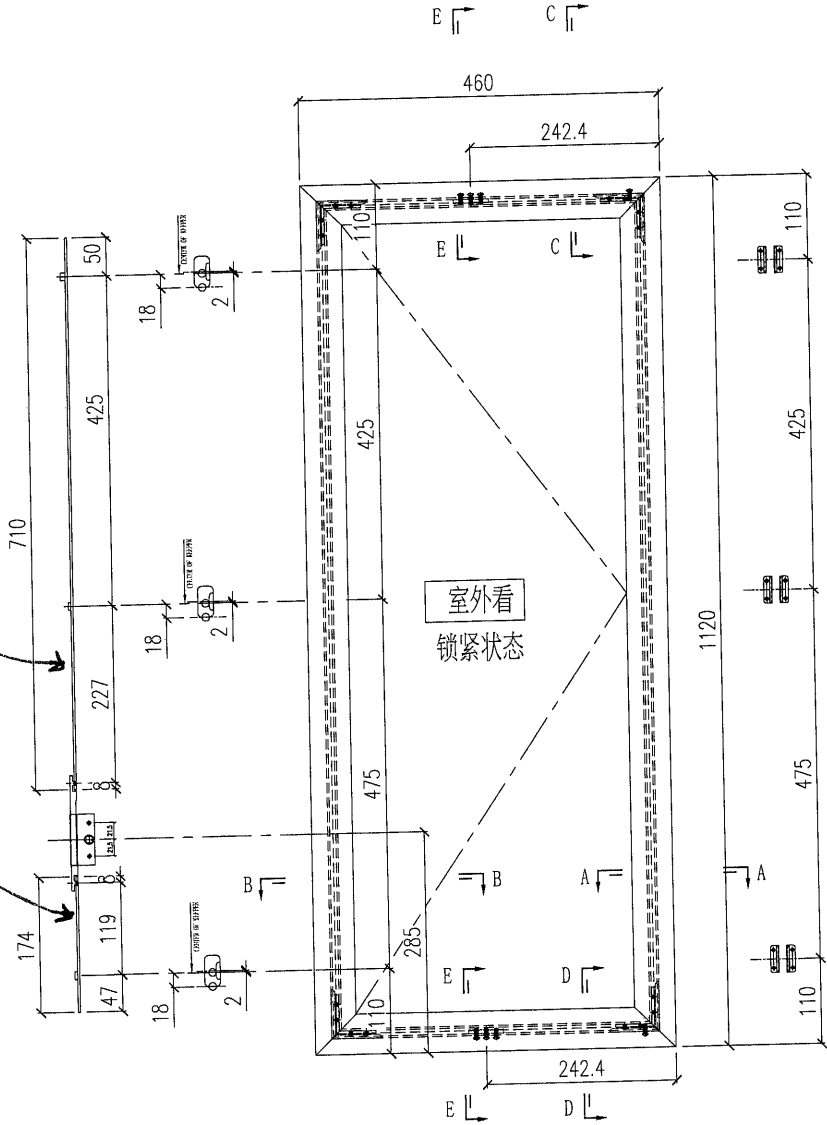
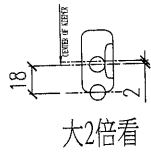
- 注: 1) 采用SS601-14"扇撑;
 2) 窗玉玻璃线横碰企;
 3) 采用东城202-06锁点;



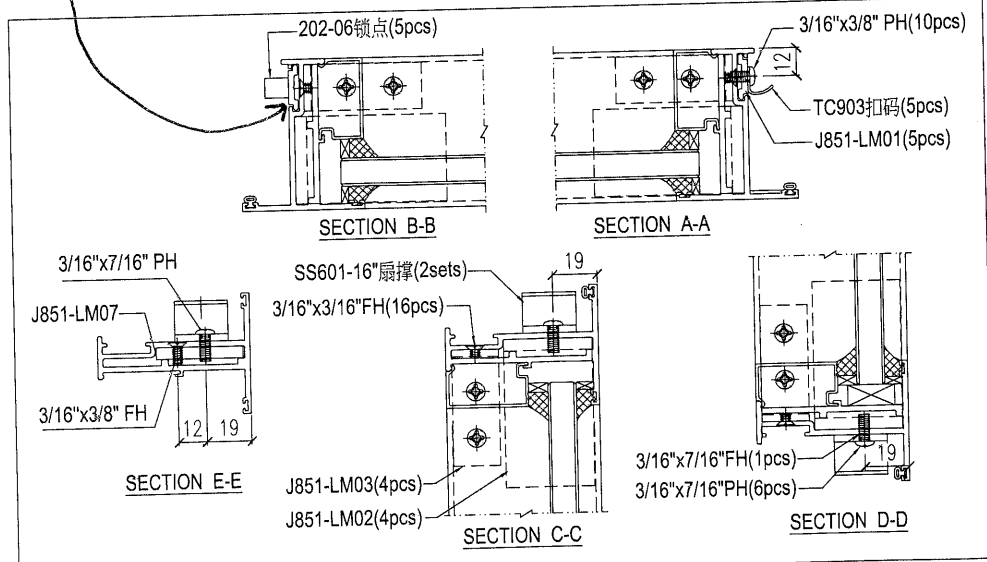
1	T1-W60AR	1
序号	窗号	数量(幅)

Remarks:		Checked: -		Description: 窗玉组装图		QTY: -		Delivery to: (Factory)		Date: -		Amendments:	
Project Name: 青衣190		Project No: J851		Material: -		Tolerance: ±0.5		Site: -		Rev: -		Rev: -	
Shop Drawing No: PRE-CAST ALUM. WINDOW & LOUVRE		Rev: -		Drawn: W.E.X		Projection: -		Assembly No: J851-SH12R		Date: -		Rev: -	
Date: 15-02-2020		Date: -		Finish: -		Projection: -		Date: -		Date: -		Date: -	

X84985抄巴

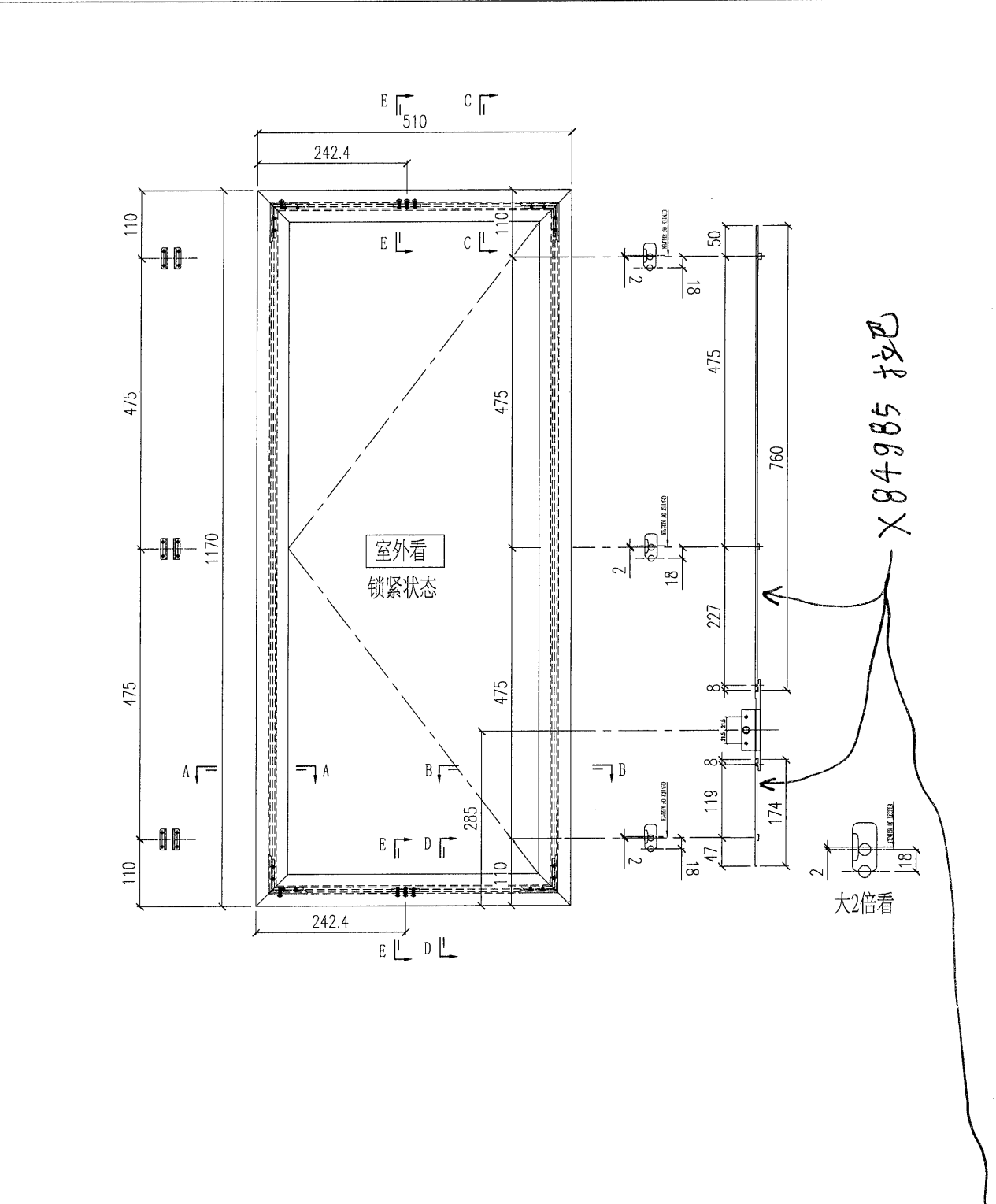


- 注: 1) 采用SS601-14"扇撑;
 2) 窗玉玻璃线横碰企;
 3) 采用东城202-06锁点;

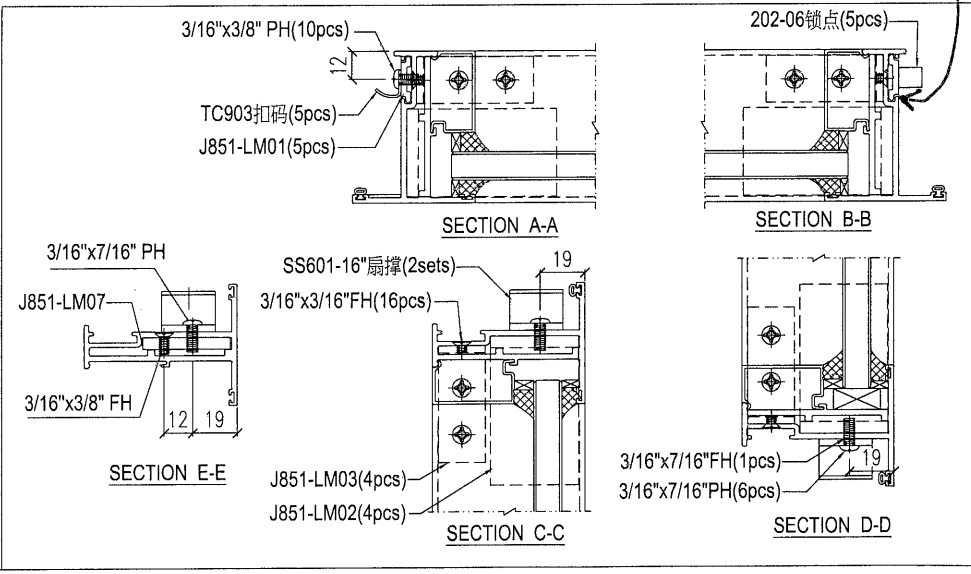


1	T1-W60	2
序号	窗号	数量(幅)

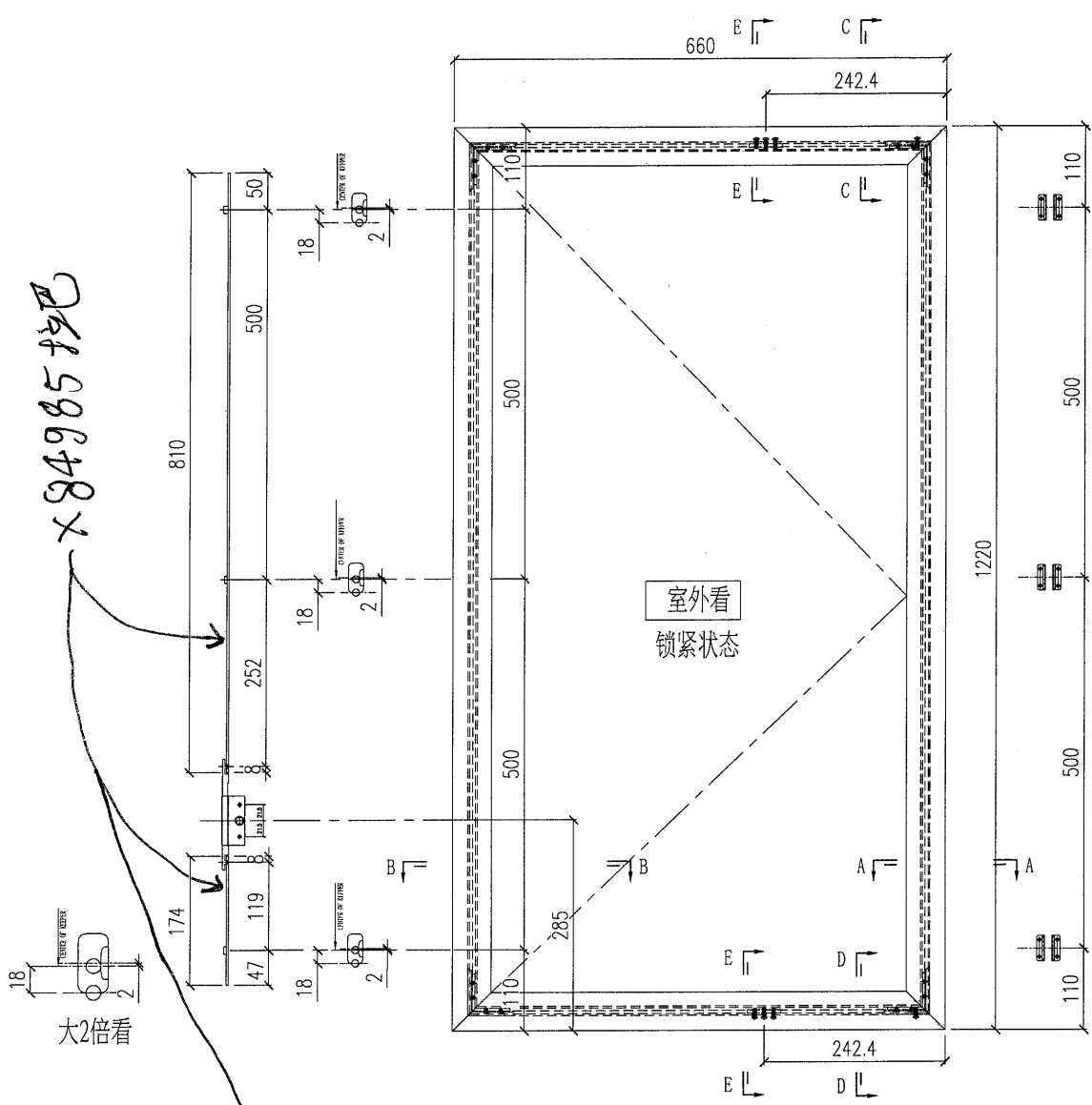
Remarks:		Checked:		Description:		QTY:		Delivery to		Amendments	
Project Name: 青衣190		Date: -		窗玉组装图		-		Factory			
Project No.: J851		Date: -		Material: -		±0.5		Rev.			
Shop Drawing No.: PRE-CAST ALUM. WINDOW & LOUVRE		Drawn: W.E.X		Finish: -		Projection: 1:1		Date			
Rev: -		Date: 15-02-2020						Assembly No.			
								J851-SH13L		Rev. -	
								MIDI Aluminium Fabricator Ltd.			



- 注: 1) 采用SS601-14"扇撑;
 2) 窗玉玻璃线横碰企;
 3) 采用东城202-06锁点;

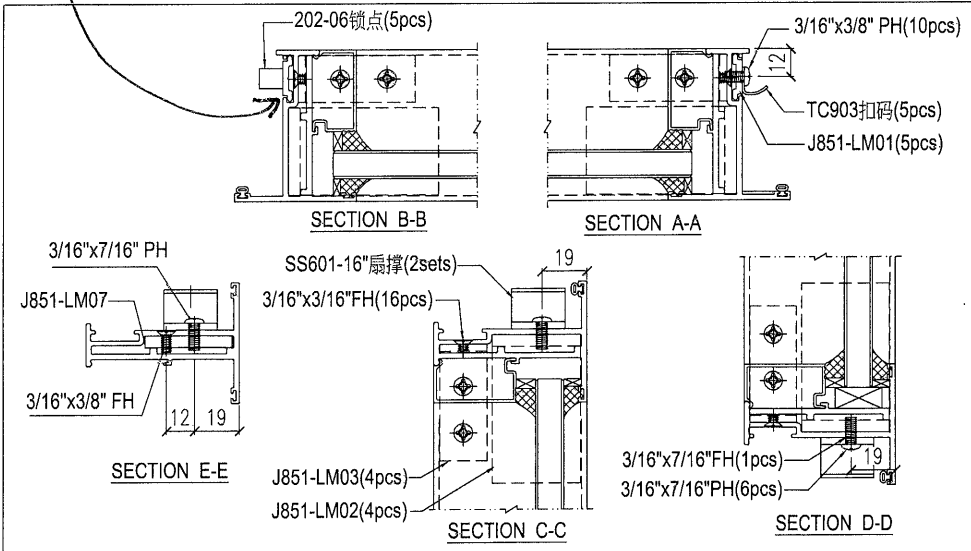


2	T1-W38	4
1	T1-W8	54
序号	窗号	数量 (幅)



窗玉组装图

- 注: 1) 采用SS601-16"扇撑;
 2) 窗玉玻璃线横碰企;
 3) 采用东城202-06锁点;



序号	窗号	数量(幅)
2	T2-W43	2
1	T2-W13	54

Remarks:

Project Name: 青衣190

Project No.: J851

Drawn: W.E.X

Date: 15-02-2020

Rev: -

Stop Drawing No. PRE-CAST ALUM. WINDOW & LOUVER

Checked: -

Description: 窗玉组装图

Material: -

Finish: -

QTY: -

Tolerance: ±0.5

Projection:

Delivery to: Factory

Site: -

Assembly No.: J851-SH14R

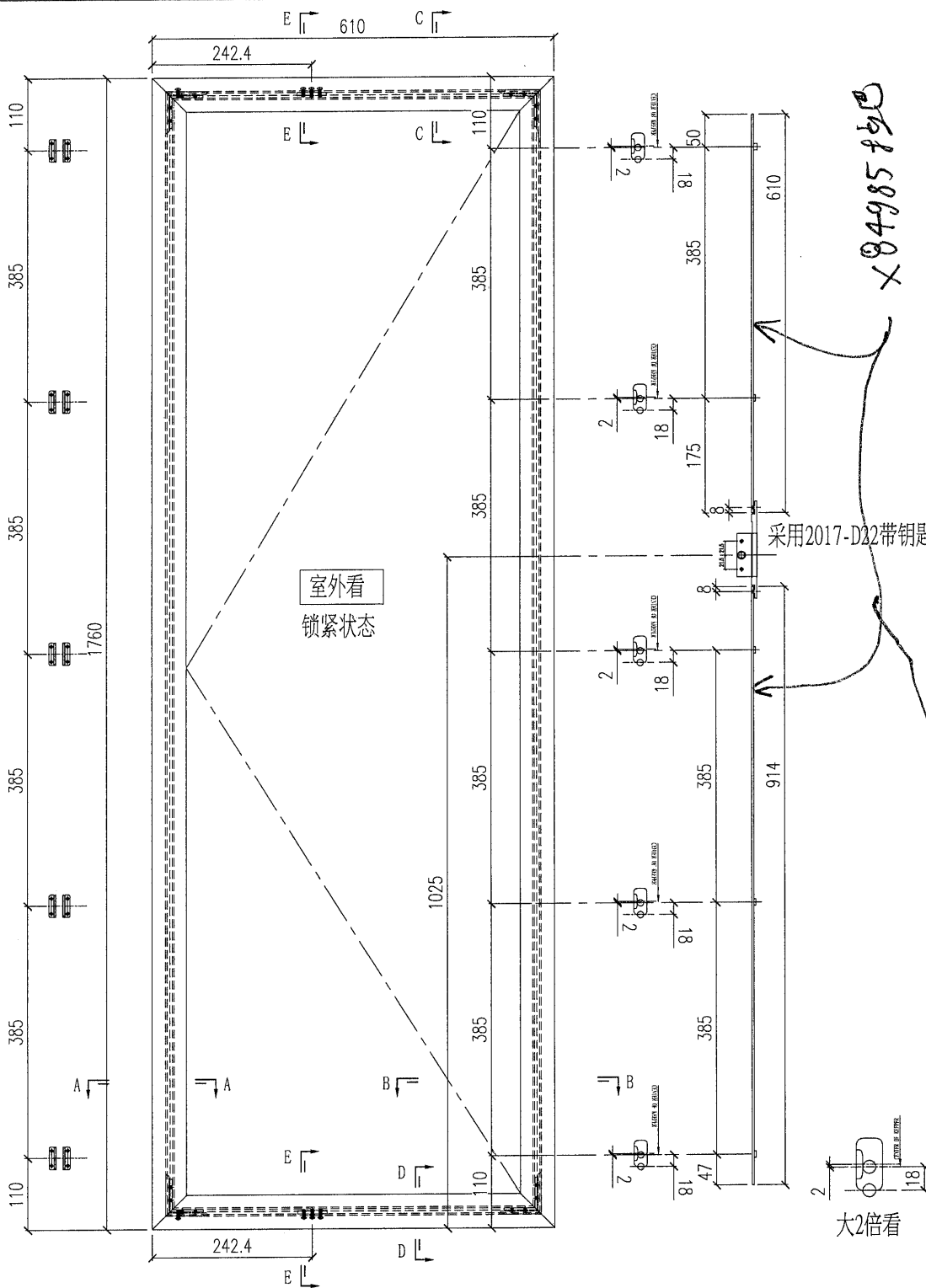
Rev: -

Amendments:

X84985 190

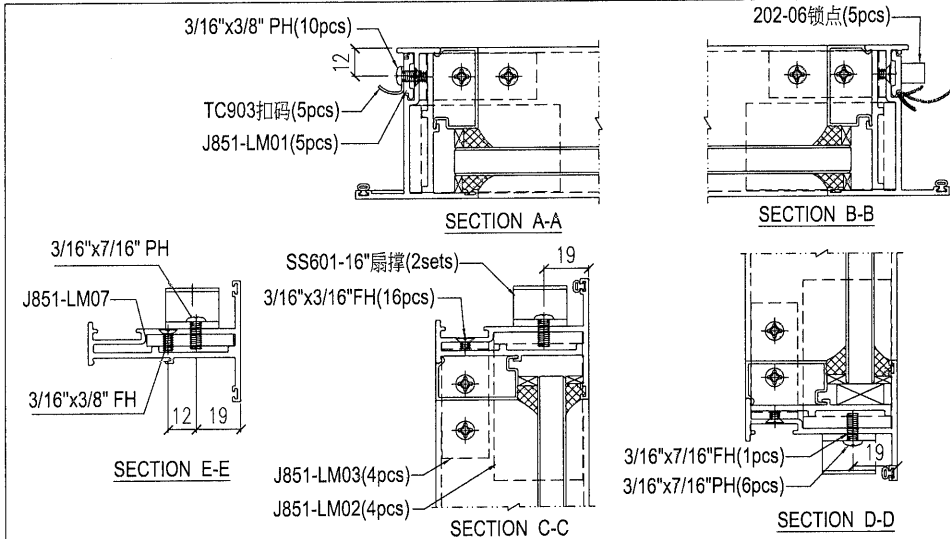
采用2017-D22带钥匙拉手

大2倍看



窗玉组装图

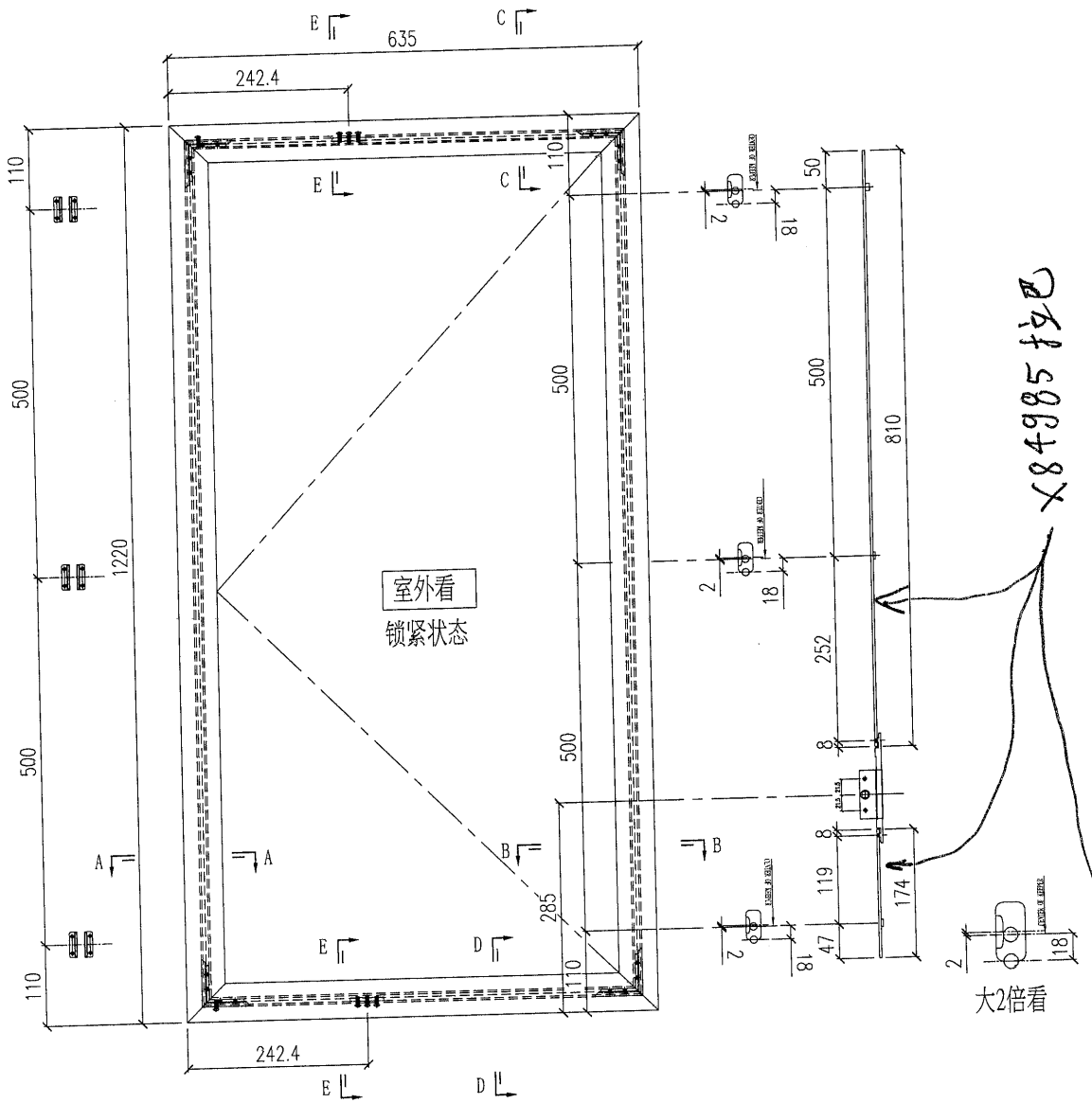
- 注: 1) 采用SS601-16"扇撑;
 2) 窗玉玻璃线横碰企;
 3) 采用东城202-06锁点;
 采用2017-D22带钥匙拉手



2	T1-W47	2
1	T1-W17	27
序号	窗号	数量 (幅)

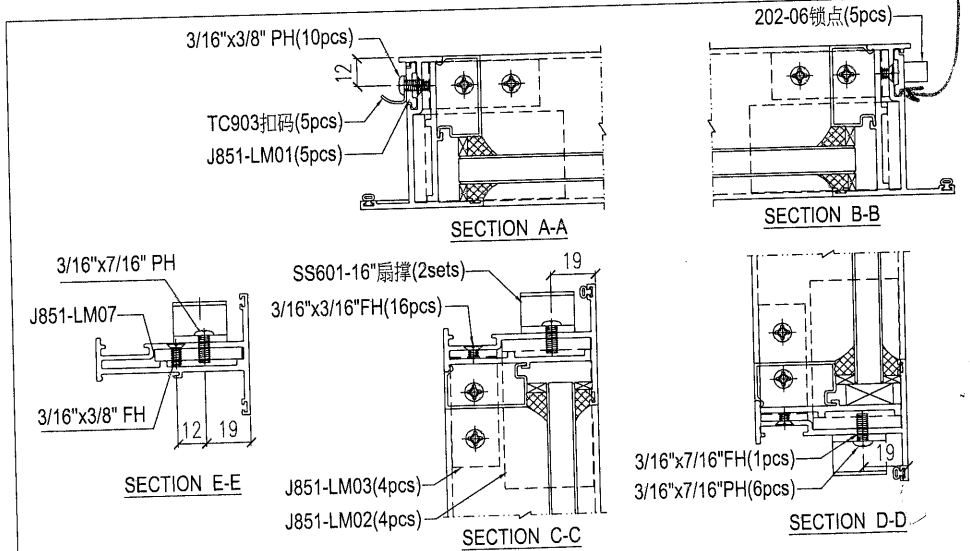
Remarks:		Checked: -		Description: 窗玉组装图		QTY: -		Delivery to: Factory	
Project Name: 青衣190		Date: -		Material: -		Tolerance: ±0.5		Site: (Factory)	
Project No: J851		Drawn: W.E.X		Finish: -		Projection: (Symbol)		Assembly No: J851-SH15L	
Shop Drawing No: PRE-CAST ALUM. WINDOW & LOUVRE		Date: 15-02-2020		Rev: -		Rev: -		Rev: -	

24850648X



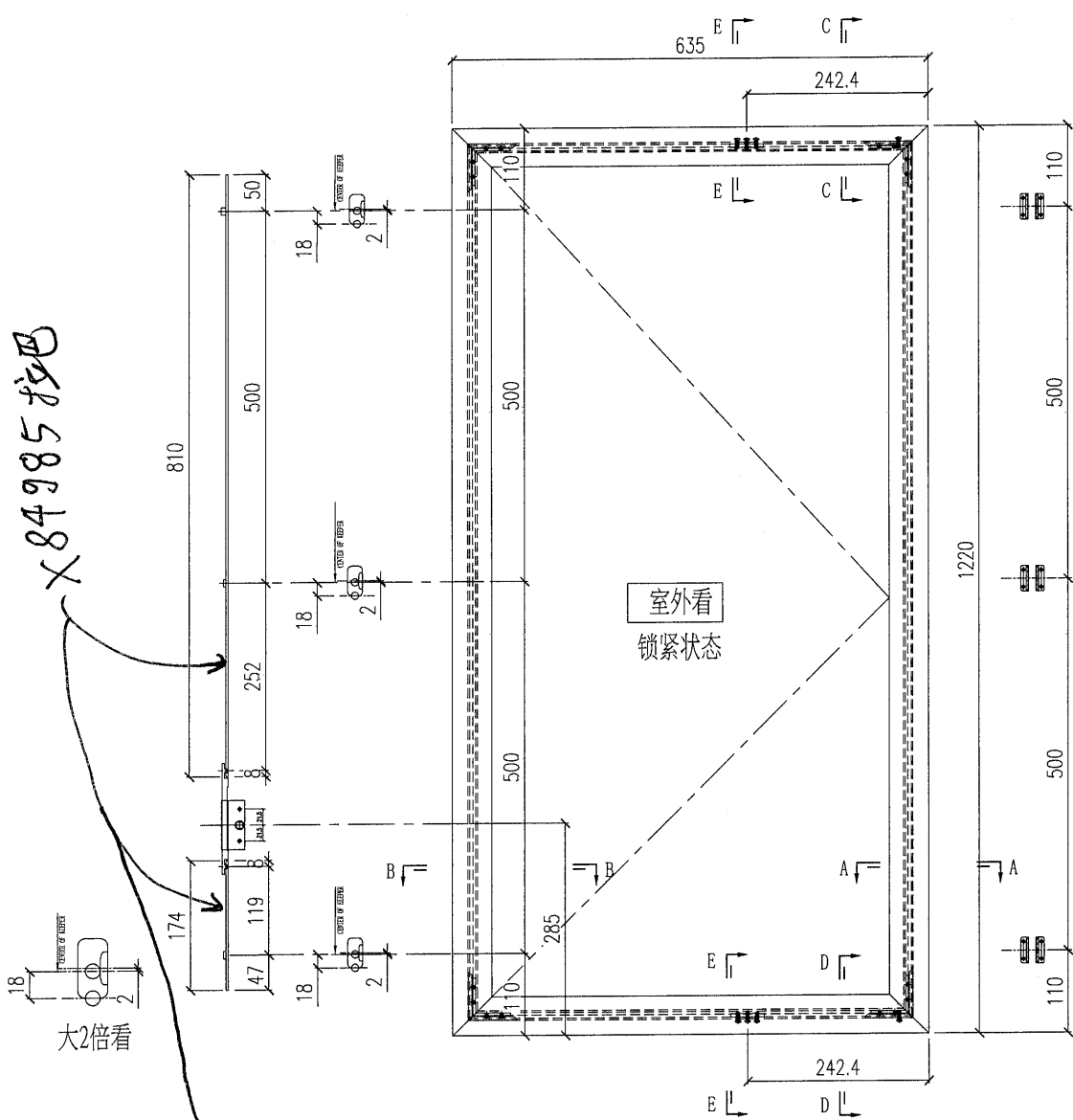
大2倍看

- 注: 1) 采用SS601-16"扇撑;
 2) 窗玉玻璃线横碰企;
 3) 采用东城202-06锁点;



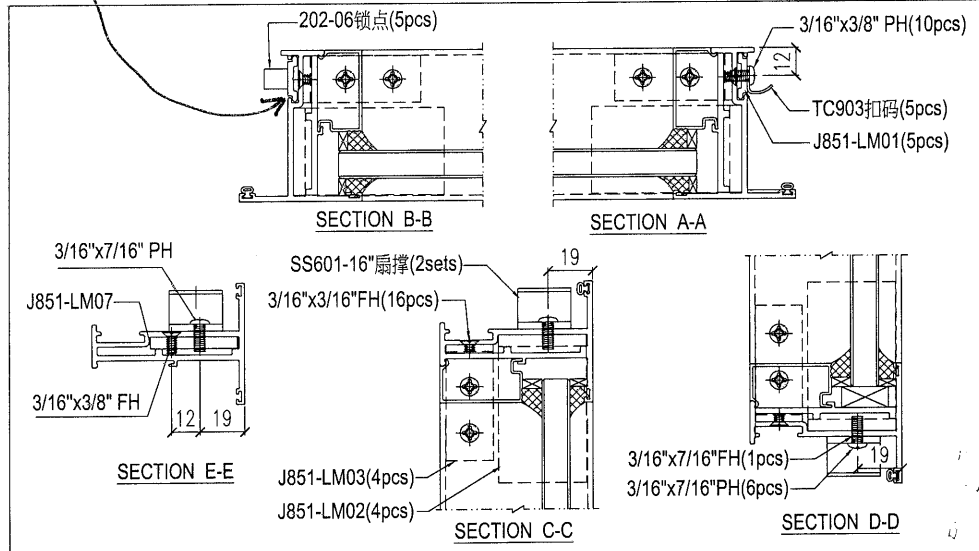
1	T1-W13	27
序号	窗号	数量(幅)

Remarks:		Checked:		Description: 窗玉组装图		QTY:		Delivery to:		Date:		Amendments:	
Project Name: 青衣190		Project No: J851		Material:		Tolerance: ±0.5		Factory		Date:		Date:	
Shop Drawing No: PRE-CAST ALUM. WINDOW & LOUVRE		Rev: -		Drawn: W.E.X		Projection:		Site		Date:		Date:	
Finish: -		Date: 15-02-2020		Finish: -		Assembly No: J851-SH17L		Rev: -		Date:		Date:	
MIDI Aluminium Fabricator Ltd.													



窗玉组装图

- 注: 1) 采用SS601-16"扇撑;
 2) 窗玉玻璃线横碰企;
 3) 采用东城202-06锁点;



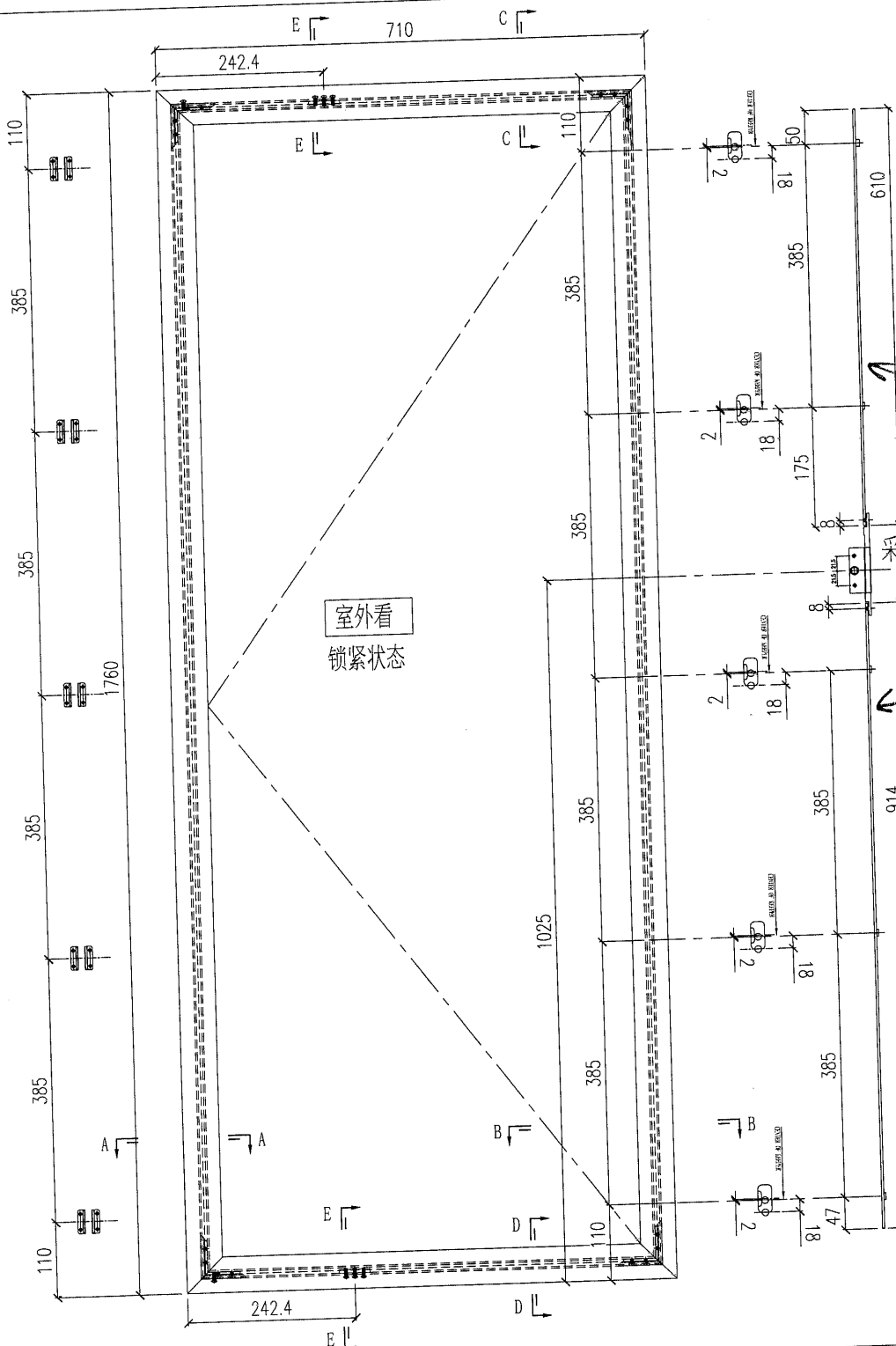
1	T1-W43	1
序号	窗号	数量(幅)

Remarks:		Checked: -		Description: 窗玉组装图		QTY: -		Delivery to: Factory	
Project Name: 青衣190		Date: -		Material: -		Tolerance: ±0.5		Rev: -	
Project No: J851		Drawn: W.E.X		Finish: -		Projection:		Site: -	
Shop Drawing No: PRE-CAST ALUM. WINDOW & LOUVERE		Date: 15-02-2020		Rev: -		Assembly No: J851-SH17R		Rev: -	

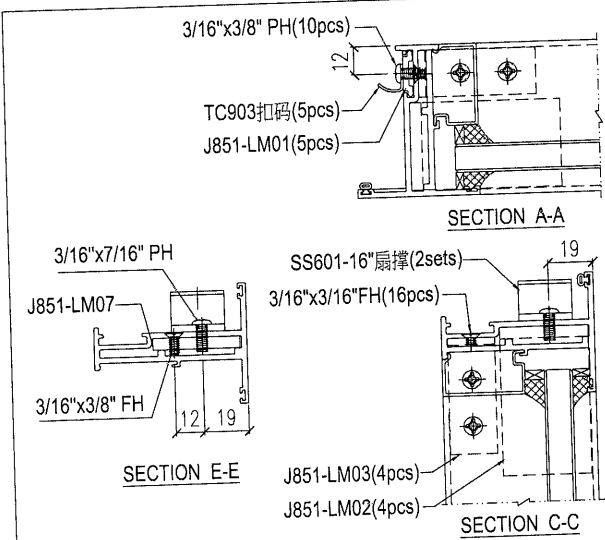
X84985 抄图

采用2017-D22带钥匙拉手

大2倍看



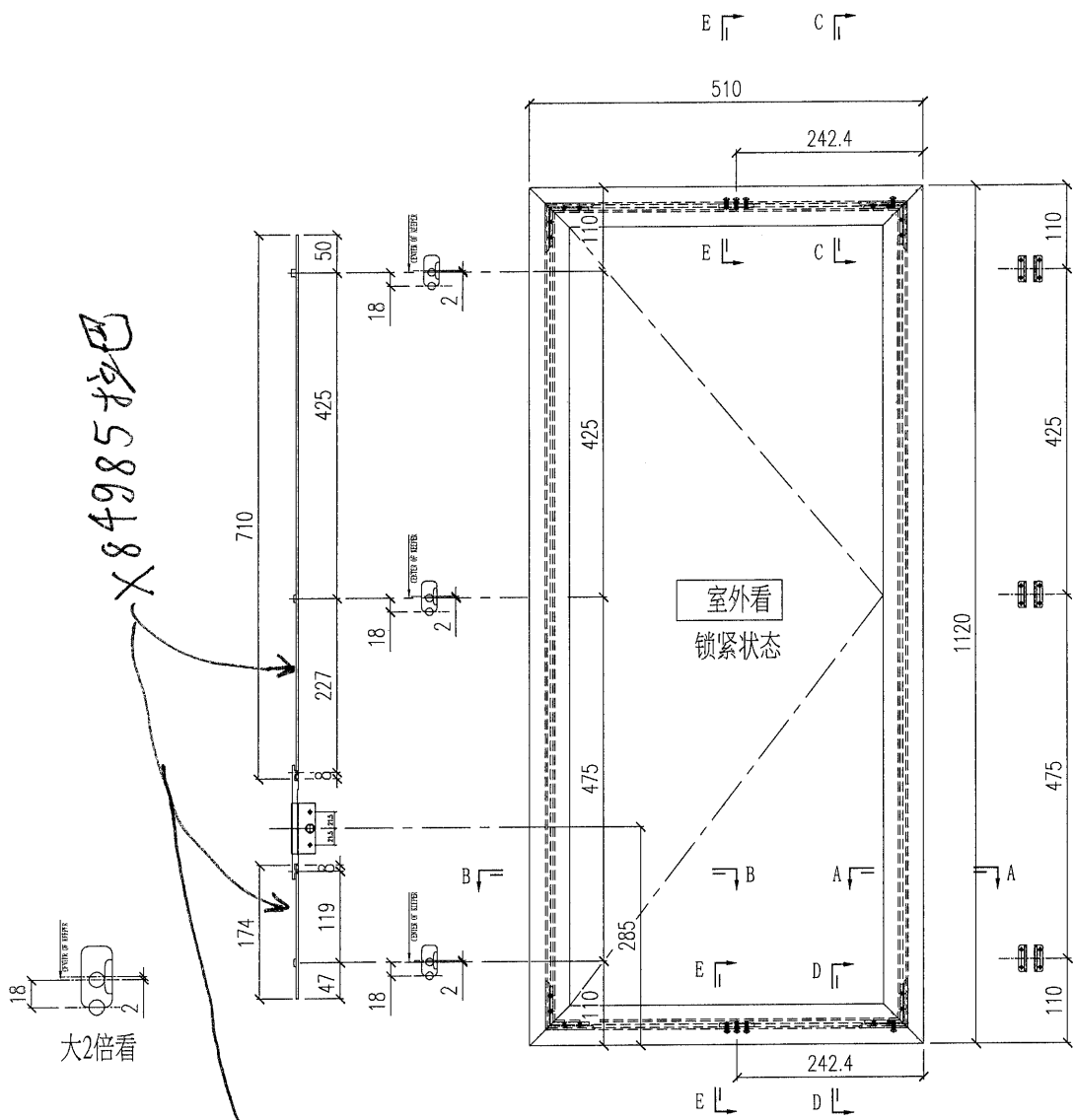
室外看
锁紧状态



- 注: 1) 采用SS601-16"扇撑;
 2) 窗玉玻璃线横碰企;
 3) 采用东城202-06锁点;
 采用2017-D22带钥匙拉手

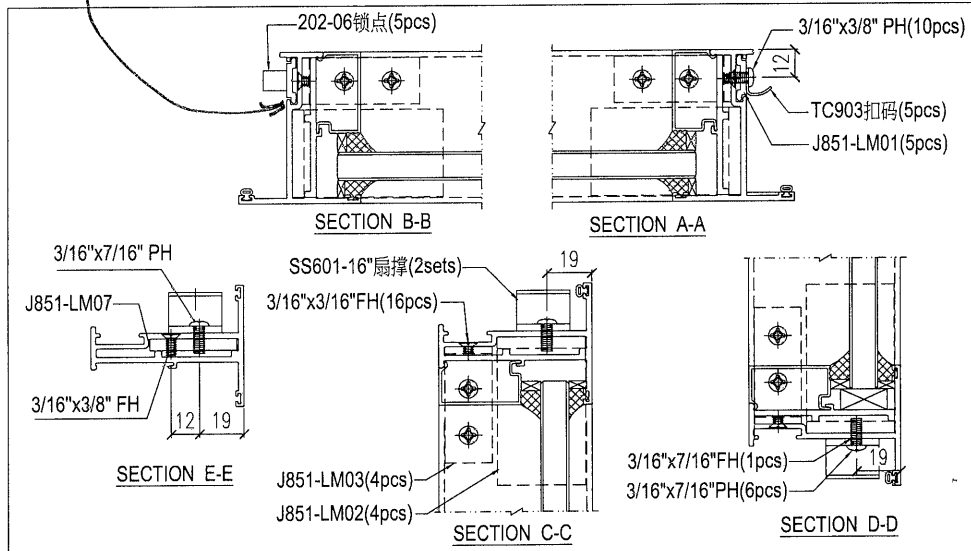
序号	窗号	数量 (幅)
2	T2-W73A	2
1	T2-W72	27

Remarks:		Checked: -		Description: 窗玉组装图		QTY: -		Delivery to: Factory		Date: -	
Project Name: 青衣190		Project No: J851		Material: -		Tolerance: ±0.5		Site: -		Date: -	
Shop Drawing No: PRE-CAST ALUM. WINDOW & LOUVER		Rev: -		Drawn: W.E.X		Projection: -		Assembly No: J851-SH18L		Date: -	
Date: 15-02-2020		Finish: -		Finish: -		Finish: -		Rev: -		Rev: -	



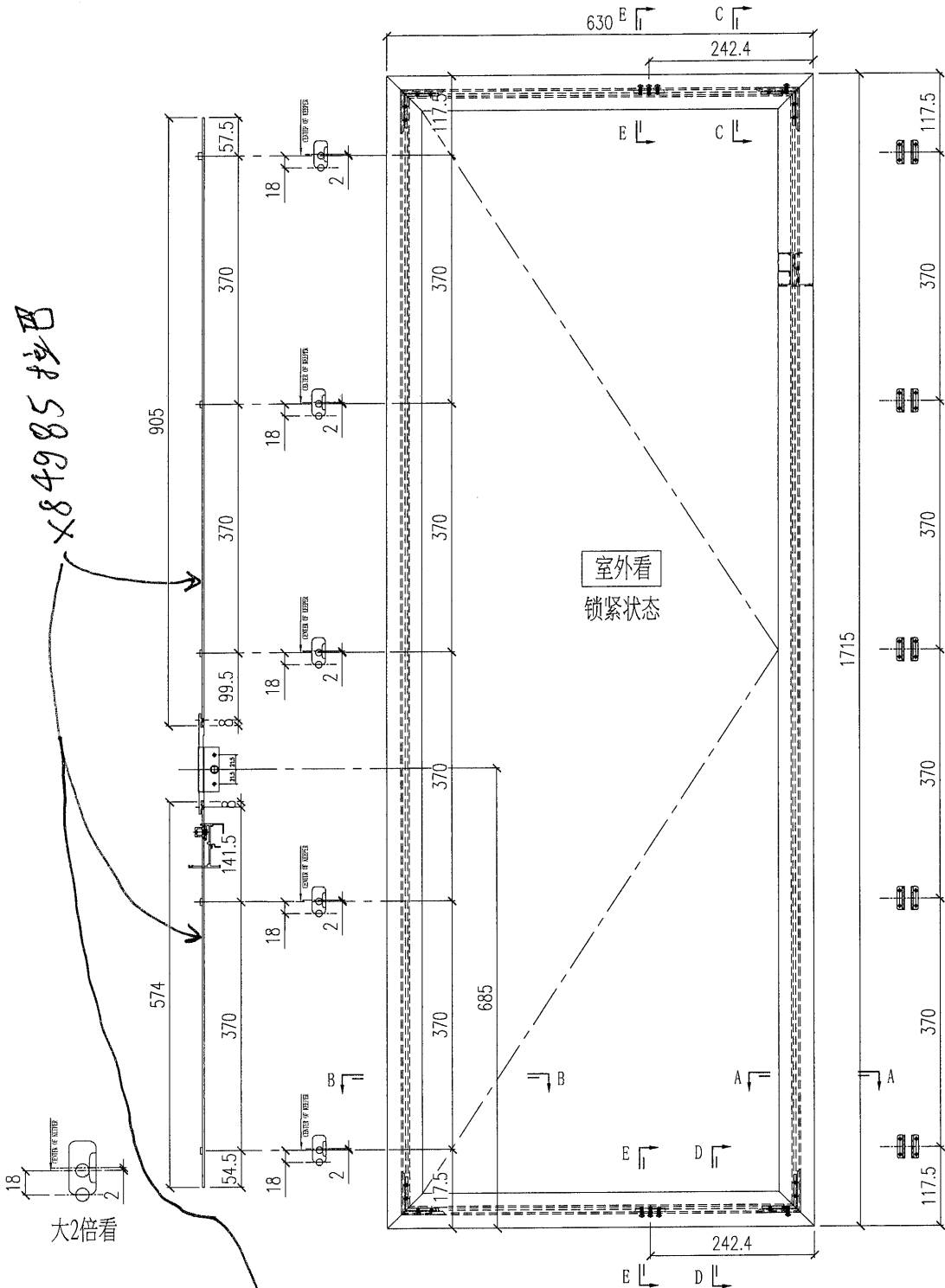
窗玉组装图

- 注: 1) 采用SS601-14"扇撑;
 2) 窗玉玻璃线横碰企;
 3) 采用东城202-06锁点;



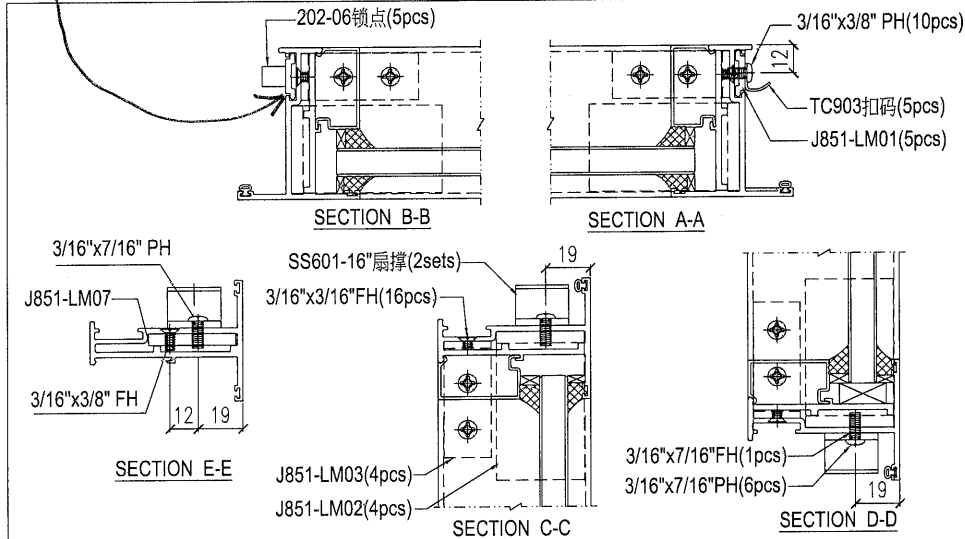
1	T1-W38A	1
序号	窗号	数量(幅)

Remarks:		Checked: -		Description: 窗玉组装图		QTY: -		Delivery to: Factory		Rev: -	
Project Name: 青衣190		Date: -		Material: -		Tolerance: ±0.5		Site: -		Date: -	
Shop Drawing No. PRE-CAST ALUM. WINDOW & LOUVER		Project No. J851		Drawn: W.E.X		Projection: -		Assembly No. J851-SH19R		Rev: -	
Date: 15-02-2020		Rev: -		Finish: -		Date: -		Date: -		Date: -	



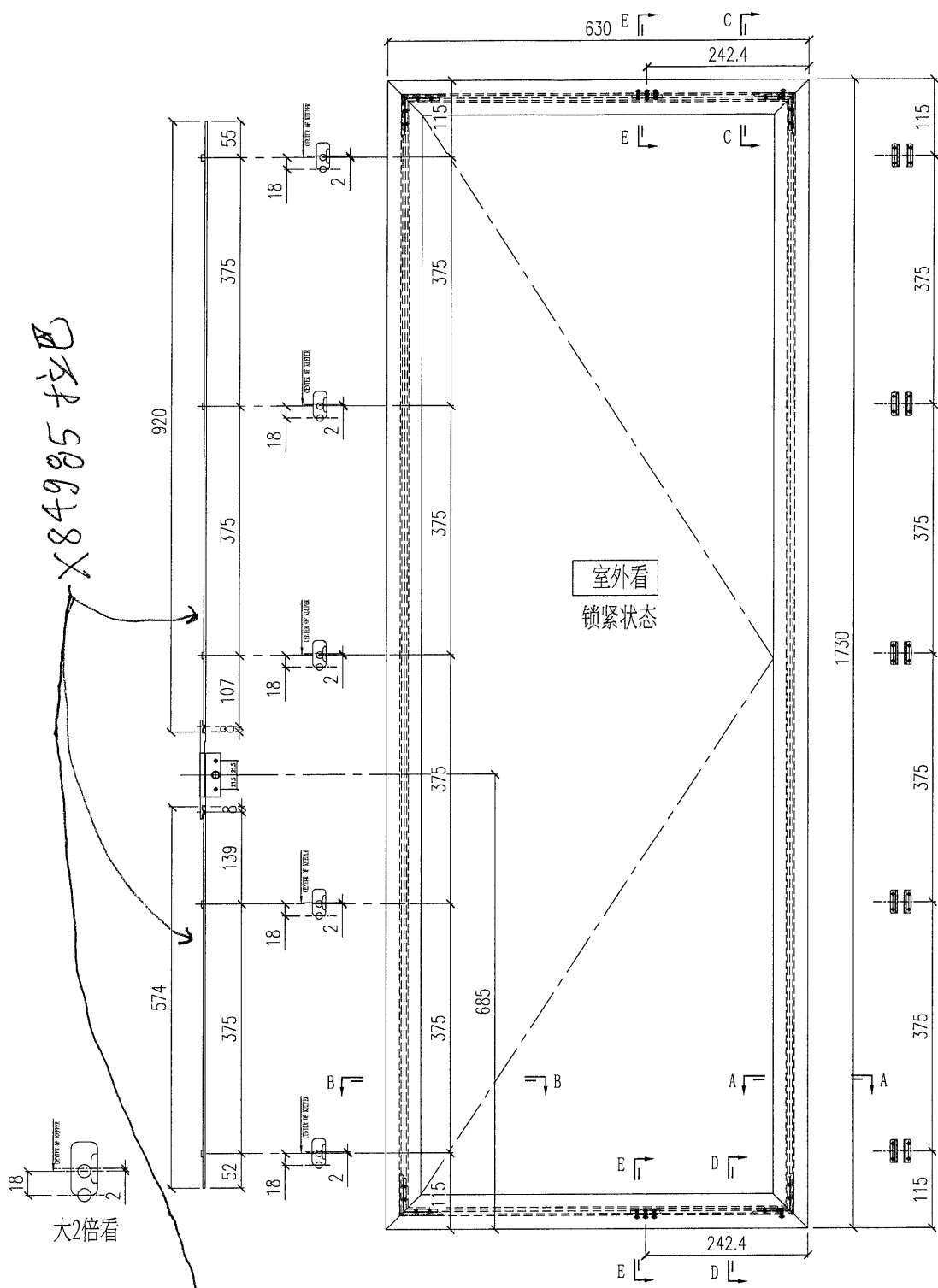
窗玉组装图

- 注: 1) 采用SS601-16"扇撑;
 2) 窗玉玻璃线横碰企;
 3) 采用东城202-06锁点;



1	T2-W23	28
序号	窗号	数量 (幅)

Remarks:		Checked: -		Description: 窗玉组装图		QTY: -		Delivery to: Factory	
Project Name: 青衣190		Date: -		Material: -		Tolerance: ±0.5		Rev: -	
Project No: J851		Drawn: W.E.X		Finish: -		Projection:		Date: -	
Shop Drawing No: PRE-CAST ALUM. WINDOW & LOUVRE		Date: 15-02-2020		Rev: -		Site: -		Assembly No: J851-SH20R	
Rev: -		Date: 15-02-2020		Rev: -		Rev: -		Rev: -	



窗玉组装图

Description:

Checked:

Project No. J851

Project Name: 青衣190

Remarks:

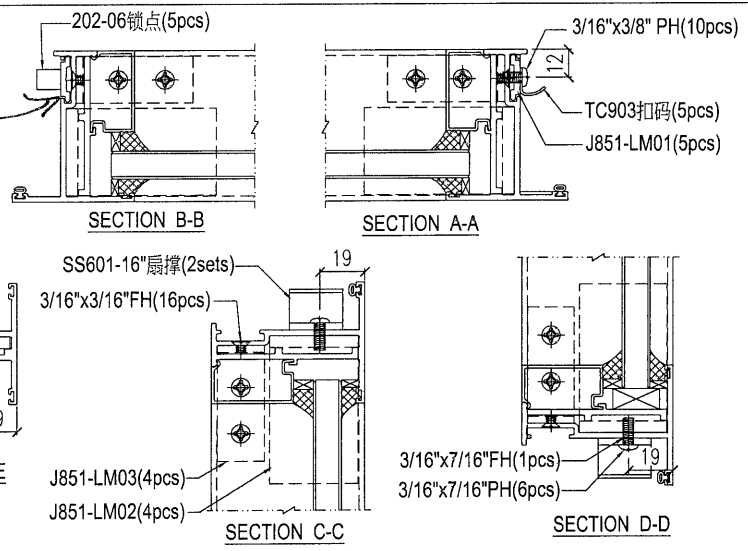
Stop Drawing No. PRE-CAST ALUM. WINDOW & LOUVRE

Project No. J851

Project Name: 青衣190

- 注: 1) 采用SS601-16"扇撑;
 2) 窗玉玻璃线横碰企;
 3) 采用东城202-06锁点;

大2倍看



1	T2-W53	1
序号	窗号	数量(幅)