



工程指示 / 要求簡箋(E.I.)

工程指示編號：EI/1511/20

修改版次：-

工程編號：J851

工程名稱：青衣 明翹匯

工程項目：繪畫模圖(單元件幕牆)

收件人：羅小姐

發件人：Leung Hin Wai

日期：13/02/2020

要求提供 / 確認 事項：

- |                                    |                                     |                               |
|------------------------------------|-------------------------------------|-------------------------------|
| <input type="checkbox"/> 初步鋁料 B.M. | <input type="checkbox"/> 加工拆圖，然後生產  | <input type="checkbox"/> 尺寸表  |
| <input type="checkbox"/> 正式鋁料 B.M. | <input type="checkbox"/> 技術上資料 / 指示 | <input type="checkbox"/> 報價   |
| <input type="checkbox"/> 配件 B.M.   | <input type="checkbox"/> 樣辦或貨品說明書   | <input type="checkbox"/> 分判合約 |
| <input type="checkbox"/> 其他：_____  |                                     |                               |

內容：

請按附頁圖紙繪畫模圖。共 35 頁。

請在\_\_\_\_\_前完成上列要求。

附：-

以上項目為：

- 原合約工程包                       原合約工程加 / 減賬                       新工程報價

原因：-

分發東莞各部門：

- ( )生產技術總監 連附件    ( )技術部    連附件    ( )生產部    連附件    ( )機械設計部 連附件  
 ( )採購部    連附件    (✓)生產統籌部 連附件  
 (✓)質檢部    連附件    ( )會計部    連附件    ( )報關組    連附件    ( )其他 \_\_\_\_\_ 連附件

分發香港各部門：

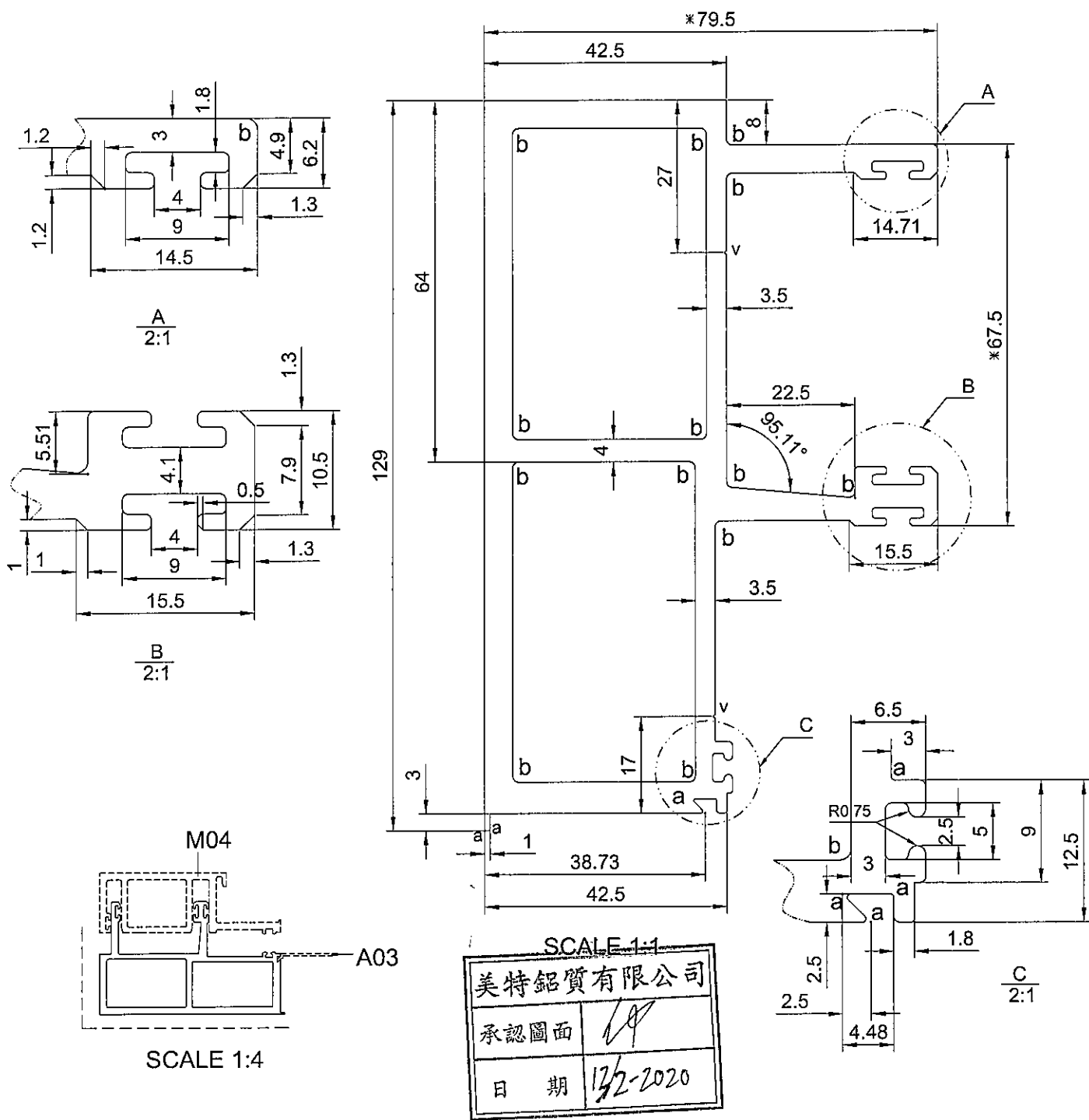
- ( )行政部 連附件    ( )會計部 連附件    ( )統籌部 連附件    ( )工程部地盤科文(柄) 連附件  
 ( )採購部 連附件    ( )QS 部 連附件    ( )維修部 連附件    ( )其他 \_\_\_\_\_ 連附件

傳遞編號：

HK0161

發件人簽署：

項目經理簽署：



APPROVED :

6063-T6  
Unspec.Radius: R0.5  
Unspec.Thickness: 5.0

Exposed Surface: ----  
1.Important dimension: \*  
2.Referenced dimension:( )


a=R0.3  
b=R1.0  
v=R0.3XDP0.3

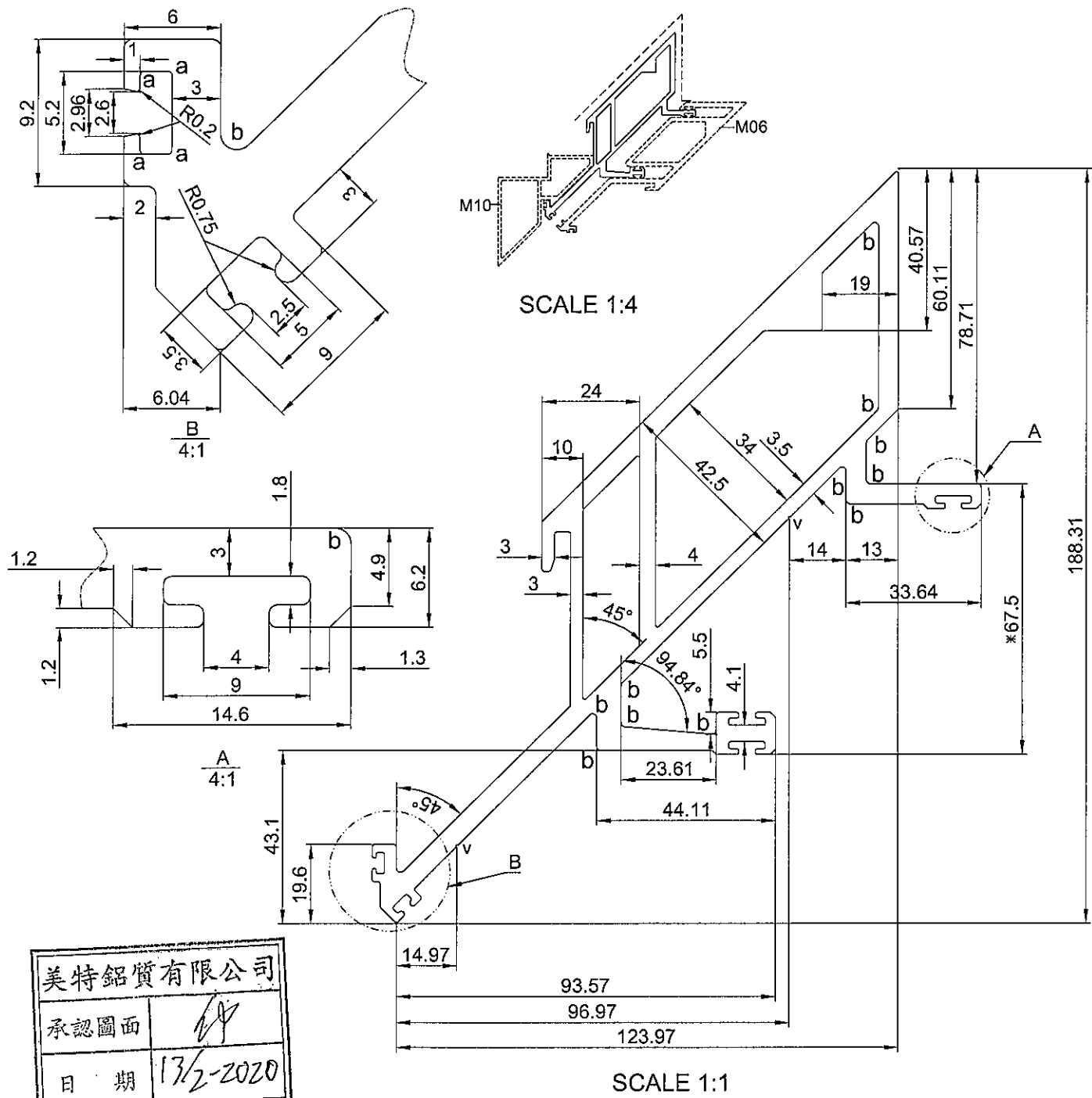
SECTIONAL AREA	mm <sup>2</sup>	ADDITIONAL TOLERANCE	DATE	REVISION			
				NO.	DATE	NAME	DESCRIPTION
1989.86		Thickness ± 0.1 mm	09/01/2020				
WEIGHT	KG/M	Flatness 0.1 /25mm width	SCALE				
5.39		Straightness 0.3 /300mm	1 : 1				
PERIMETER	mm	Twist 0.5° /300 mm max	DRAWN				
915.91		Angularity ± 1.0 degree	CHECK				
V.F.	mm						
198.24							








 <b>GRAND MING GROUP HOLDINGS LIMITED</b>	<b>DRAWING NO.</b>	<b>REV.</b>	<b>TITLE</b>
	X85723(0)		M05



美特鋁質有限公司	
承認圖面	
日期	13/2-2020

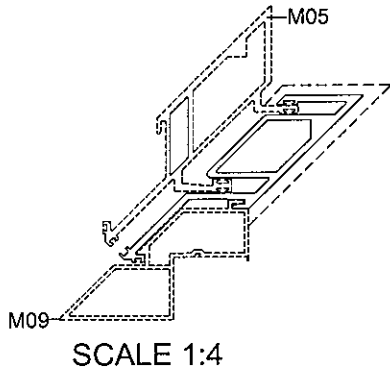
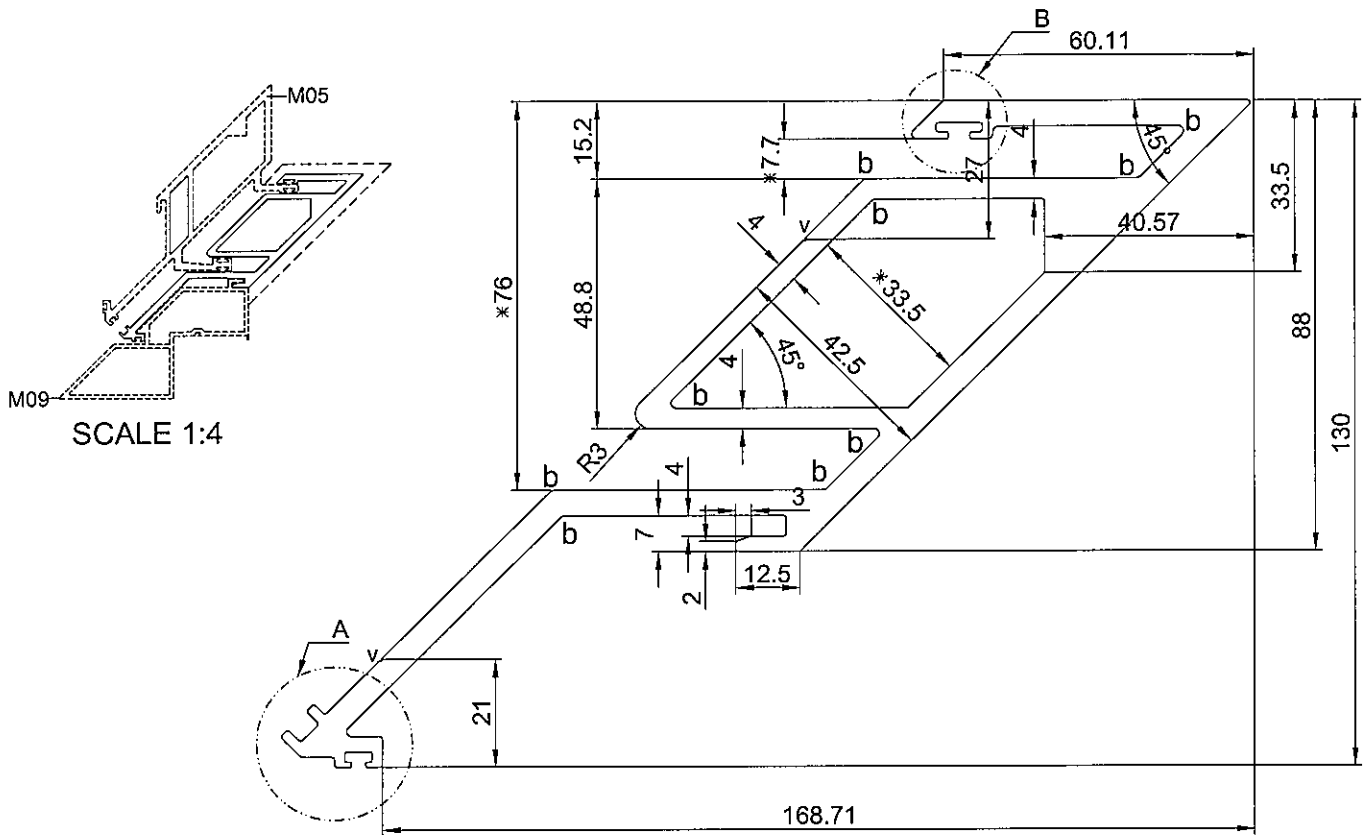
APPROVED :

6063-T6  
 Unspec.Radius: R0.5  
 Unspec.Thickness: 5.0

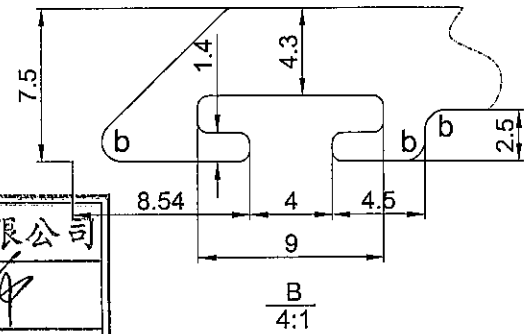
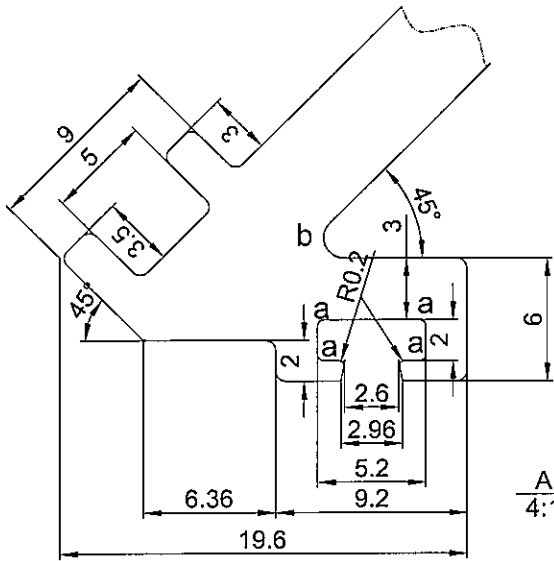
Exposed Surface: -----  
 1.Important dimension: \*  
 2.Referenced dimension:( )

a=R0.3  
 b=R1.0  
 v=R0.3XDP0.3

SECTIONAL AREA	mm <sup>2</sup>	ADDITIONAL TOLERANCE	DATE	REVISION			
				NO.	DATE	NAME	DESCRIPTION
2630.33		Thickness ± 0.1 mm	09/01/2020				
WEIGHT	KG/M	Flatness 0.1 /25mm width	SCALE				
7.13		Straightness 0.3 /300mm	1 : 1				
PERIMETER	mm	Twist 0.5° /300 mm max	DRAWN				
1168.72		Angularity ± 1.0 degree	CHECK				
V.F.	mm						
228.34							



SCALE 1:1



美特鋁質有限公司	
承認圖面	
日期	13/2-2020

APPROVED :

6063-T6  
Unspec.Radius: R0.5  
Unspec.Thickness: 5.0

Exposed Surface: - - - -  
1.Important dimension: \*  
2.Referenced dimension:(:)

a=R0.3  
b=R1.0  
v=R0.3XDP0.3

SECTIONAL AREA	mm <sup>2</sup>	ADDITIONAL TOLERANCE	DATE	REVISION			
				NO.	DATE	NAME	DESCRIPTION
2325.88		Thickness ± 0.1 mm	09/01/2020				
WEIGHT	KG/M	Flatness 0.1 /25mm width	SCALE				
6.30		Straightness 0.3 /300mm	1 : 1				
PERIMETER	mm	Twist 0.5° /300 mm max	DRAWN				
953.69		Angularity ± 1.0 degree	-				
V.F.	mm		CHECK				
193.84							

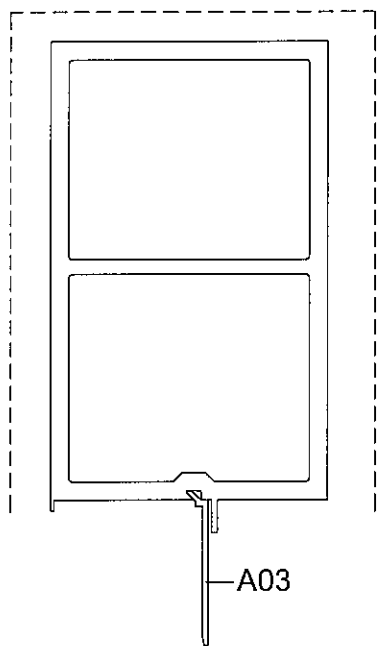
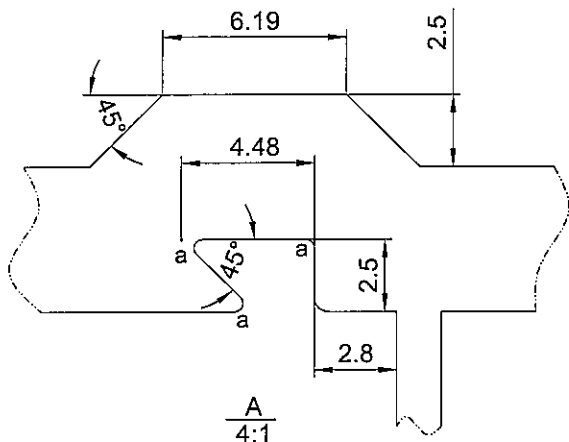


GRAND MING GROUP HOLDINGS LIMITED

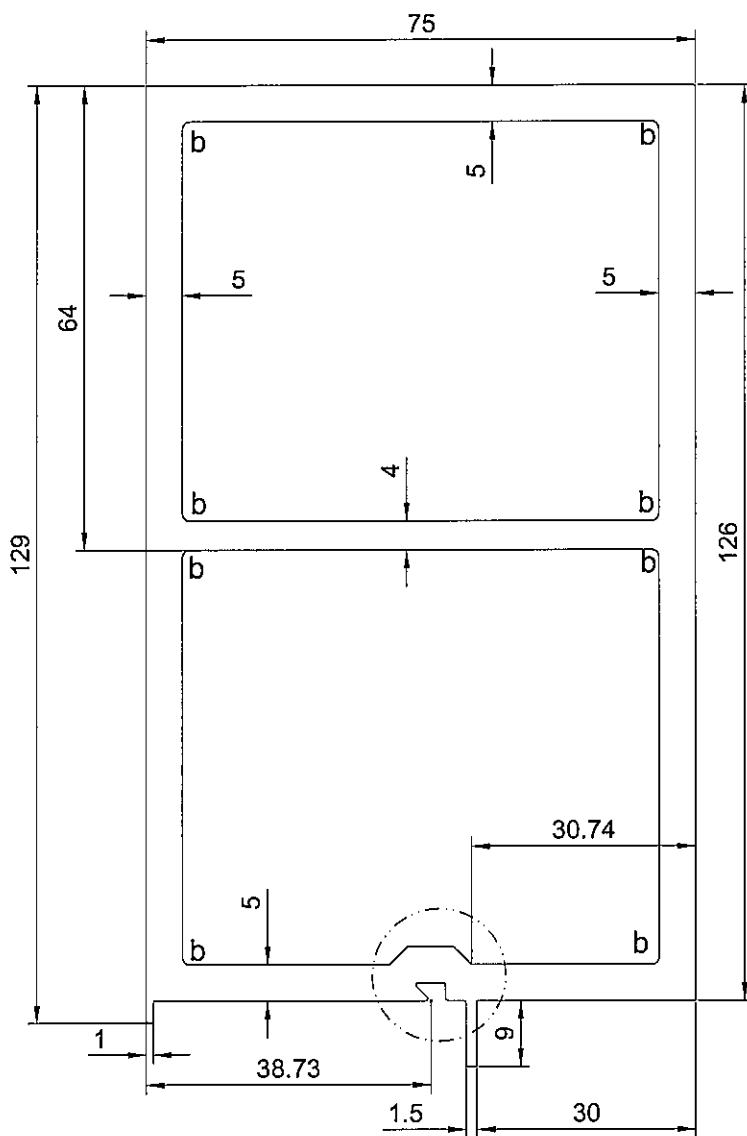
DRAWING NO.  
X85725(0)

REV.

TITLE  
M07



SCALE 1:2



SCALE 1:1

美特鋁質有限公司	
承認圖面	<i>[Signature]</i>
日期	13/2-2020

APPROVED :

6063-T6  
Unspec.Radius: R0.5  
Unspec.Thickness: 5.0

Exposed Surface: - - - -  
1.Important dimension: \*  
2.Referenced dimension:( )

a=R0.3  
b=R1.0  
v=R0.3XDP0.3

SECTIONAL AREA	mm <sup>2</sup>	ADDITIONAL TOLERANCE	DATE	REVISION			
				NO.	DATE	NAME	DESCRIPTION
2201.79		Thickness ± 0.1 mm	09/01/2020				
WEIGHT	KG/M	Flatness 0.1 /25mm width	SCALE				
5.967		Straightness 0.3 /300mm	1 : 1				
PERIMETER	mm	Twist 0.5° /300 mm max	DRAWN				
915.09		Angularity ± 1.0 degree	CHECK				
V.F.	mm						
330.17							

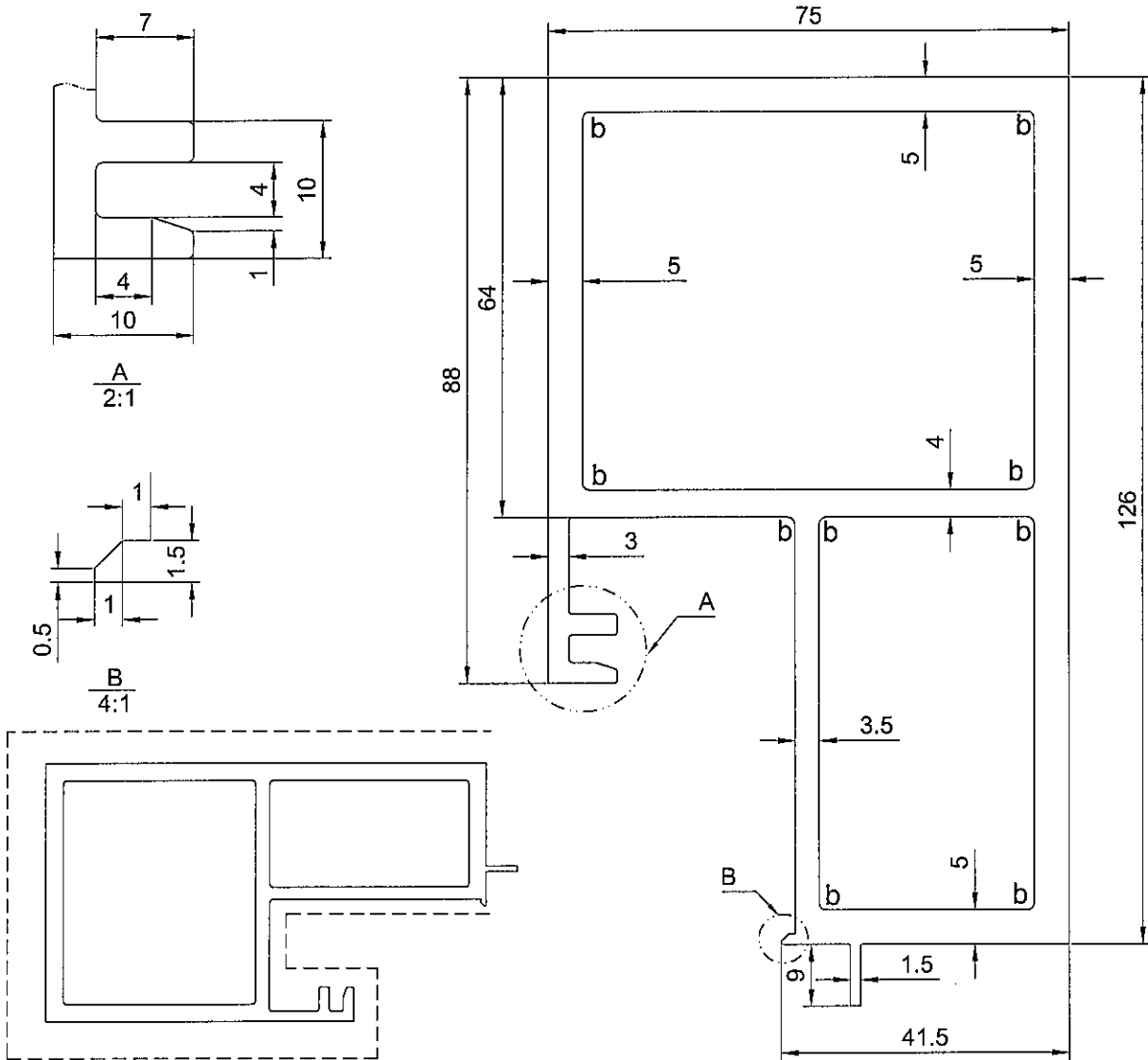


GRAND MING GROUP HOLDINGS LIMITED

DRAWING NO.  
X85726(0)

REV.

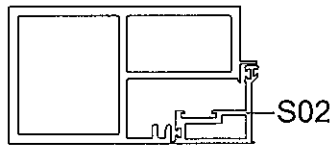
TITLE  
M08



A  
2:1

B  
4:1

SCALE 1:2



SCALE 1:4

SCALE 1:1

美特鋁質有限公司

承認圖面	<i>[Signature]</i>
日期	13/2-2020

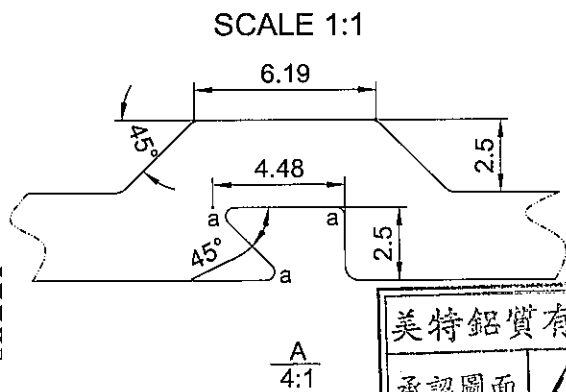
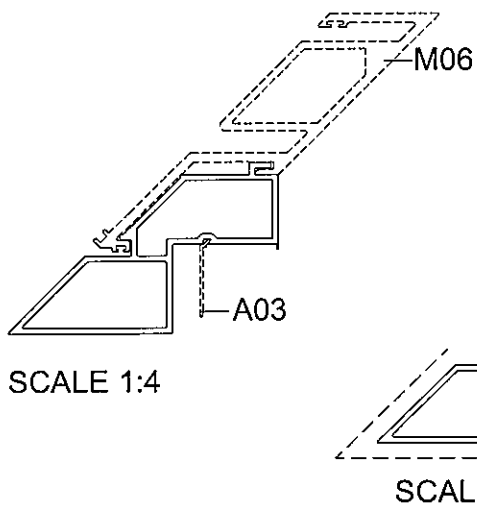
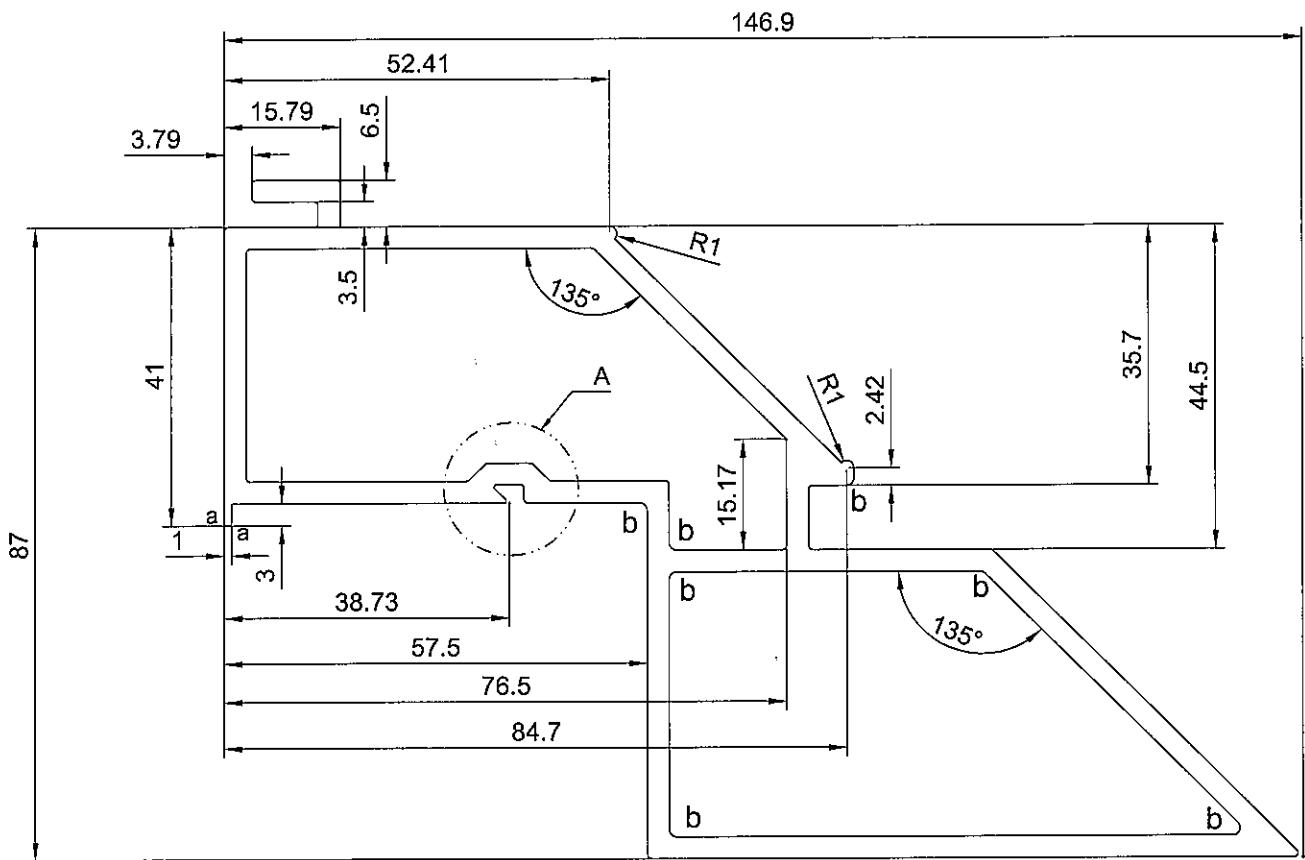
APPROVED :

6063-T6  
Unspec.Radius: R0.5  
Unspec.Thickness: 5.0

Exposed Surface: - - - -  
1.Important dimension: \*  
2.Referenced dimension:( )

a=R0.3  
b=R1.0  
v=R0.3XDP0.3

SECTIONAL AREA	mm <sup>2</sup>	ADDITIONAL TOLERANCE	DATE	REVISION			
				NO.	DATE	NAME	DESCRIPTION
2037.46		Thickness ± 0.1 mm	09/01/2020				
WEIGHT	KG/M	Flatness 0.1 /25mm width	SCALE				
5.52		Straightness 0.3 /300mm	1 : 1				
PERIMETER	mm	Twist 0.5° /300 mm max	DRAWN				
909.11		Angularity ± 1.0 degree	CHECK				
V.F.	mm						
437.05							



美特鋁質有限公司  
承認圖面  
日期 13/2-2020

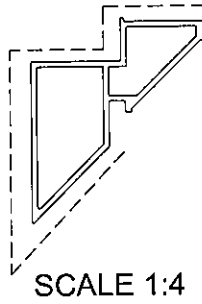
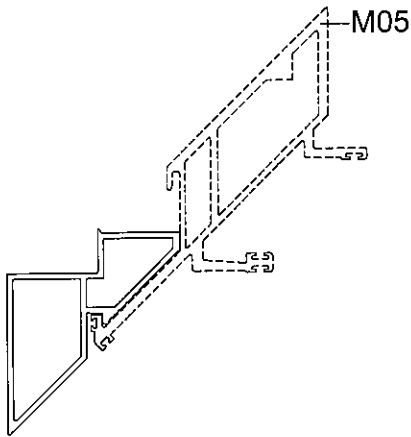
APPROVED :

6063-T6  
Unspec.Radius: R0.5  
Unspec.Thickness:3.0

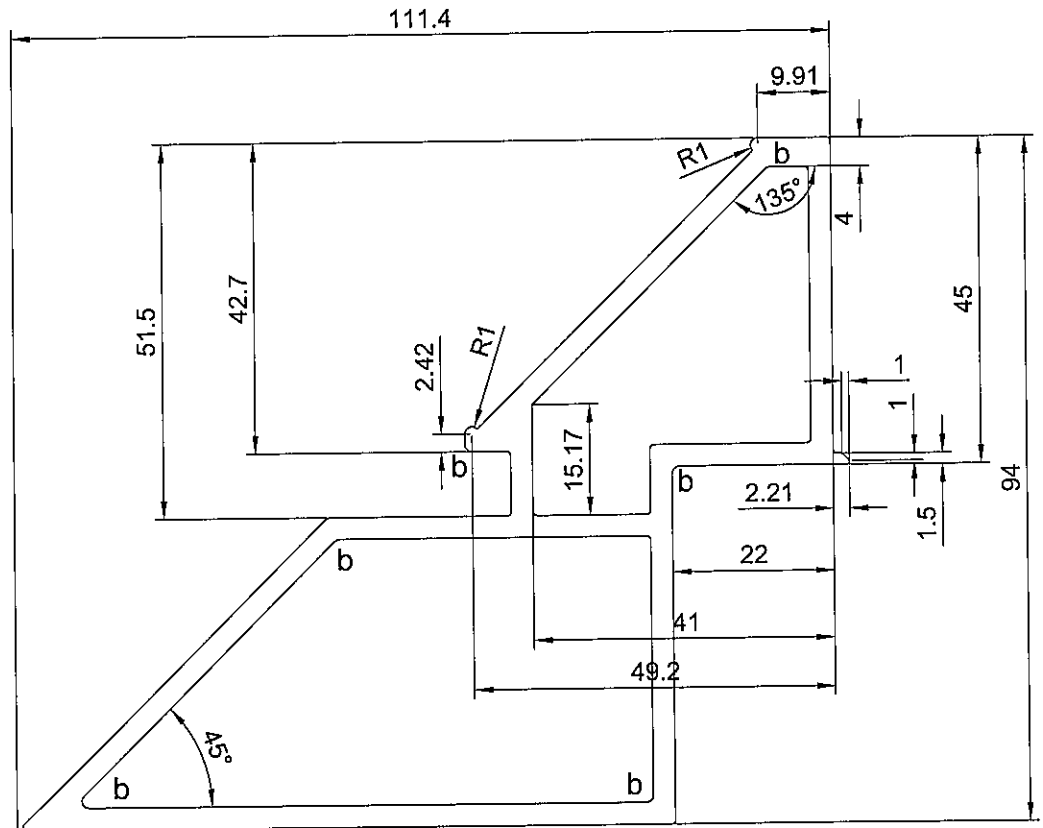
Exposed Surface: ----  
1.Important dimension: \*  
2.Referenced dimension:( )

a=R0.3  
b=R1.0  
v=R0.3XDP0.3

SECTIONAL AREA	mm <sup>2</sup>	ADDITIONAL TOLERANCE	DATE	REVISION			
				NO.	DATE	NAME	DESCRIPTION
1381.41		Thickness ± 0.1 mm	09/01/2020				
WEIGHT	KG/M	Flatness 0.1 /25mm width	SCALE				
3.74		Straightness 0.3 /300mm	1 : 1				
PERIMETER	mm	Twist 0.5° /300 mm max	DRAWN				
898.27		Angularity ± 1.0 degree	-				
V.F.	mm		CHECK				
304.86							



SCALE 1:4



SCALE 1:1

美特鋁質有限公司  
承認圖面  
日期 13/2-2020

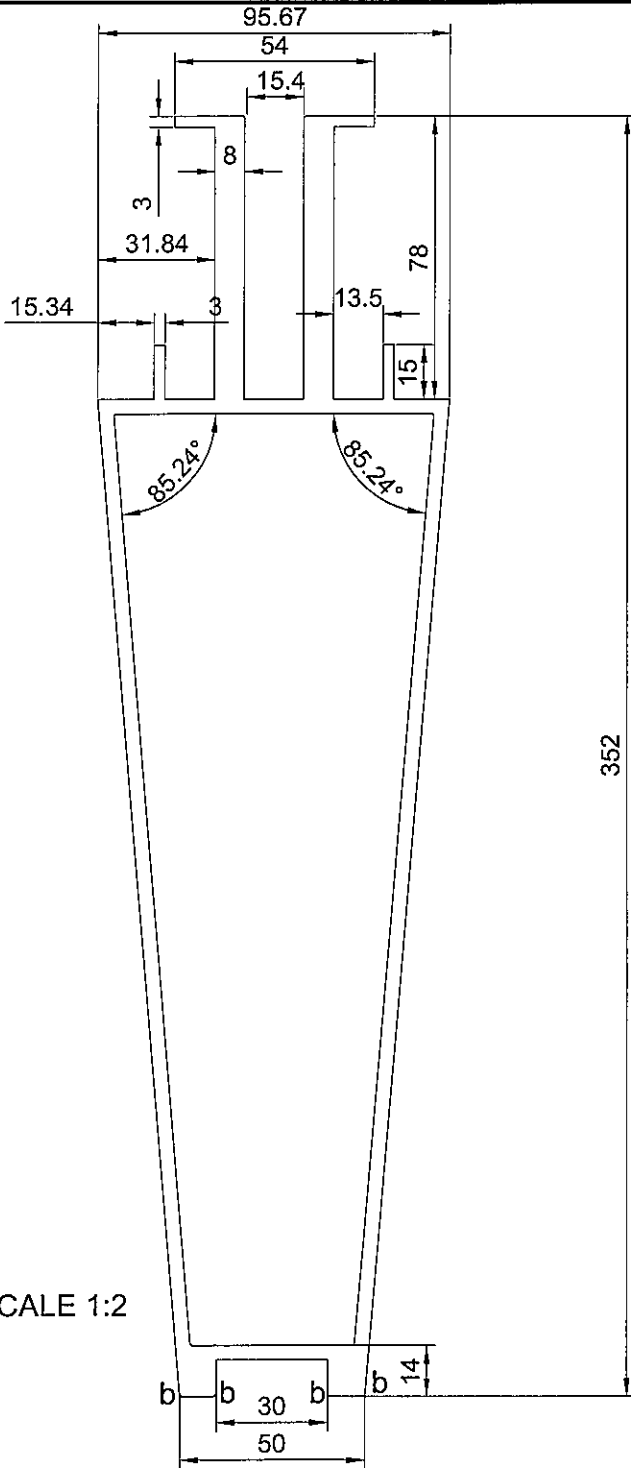
APPROVED :

6063-T6  
Unspec. Radius: R0.5  
Unspec. Thickness: 3.0

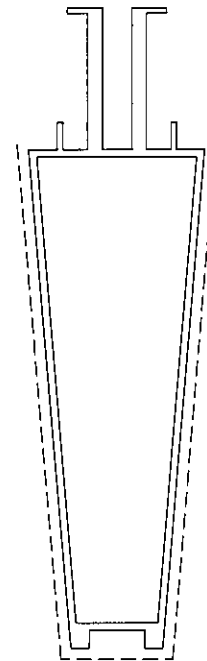
Exposed Surface: - - - -  
1. Important dimension: \*  
2. Referenced dimension: ( )

a=R0.3  
b=R1.0  
v=R0.3XDP0.3

SECTIONAL AREA	mm <sup>2</sup>	ADDITIONAL TOLERANCE	DATE	REVISION			
				NO.	DATE	NAME	DESCRIPTION
1142.82		Thickness ± 0.1 mm	09/01/2020				
WEIGHT	KG/M	Flatness 0.1 /25mm width	SCALE				
3.10		Straightness 0.3 /300mm	1 : 1				
PERIMETER	mm	Twist 0.5° /300 mm max	DRAWN				
734.31		Angularity ± 1.0 degree	CHECK				
V.F.	mm						
267.708							



SCALE 1:2



SCALE 1:4

美特鋁質有限公司	
承認圖面	<i>[Signature]</i>
日期	13/2-2020

APPROVED :

6063-T6  
Unspec.Radius: R0.5  
Unspec.Thickness:4.0

Exposed Surface: - - - -  
1.Important dimension: \*  
2.Referenced dimension:( )

a=R0.3  
b=R1.0  
u=R0.75XDP0.75

SECTIONAL AREA	mm <sup>2</sup>	ADDITIONAL TOLERANCE	DATE	REVISION			
				NO.	DATE	NAME	DESCRIPTION
4256.20		Thickness ± 0.1 mm	09/01/2020				
WEIGHT	KG/M	Flatness 0.1 /25mm width	SCALE				
11.53		Straightness 0.3 /300mm	1 : 1				
PERIMETER	mm	Twist 0.5° /300 mm max	DRAWN				
1774.18		Angularity ± 1.0 degree	-				
V.F.	mm		CHECK				
618.34							

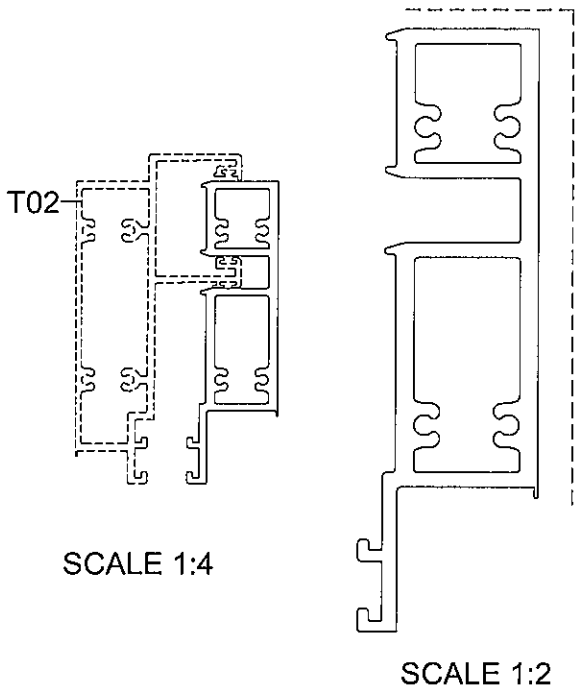


GRAND MING GROUP HOLDINGS LIMITED

DRAWING NO.  
X85730(0)

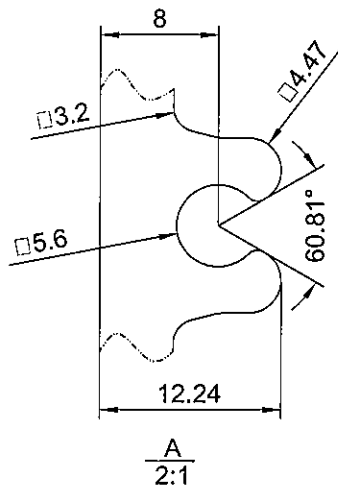
REV.

TITLE  
T01



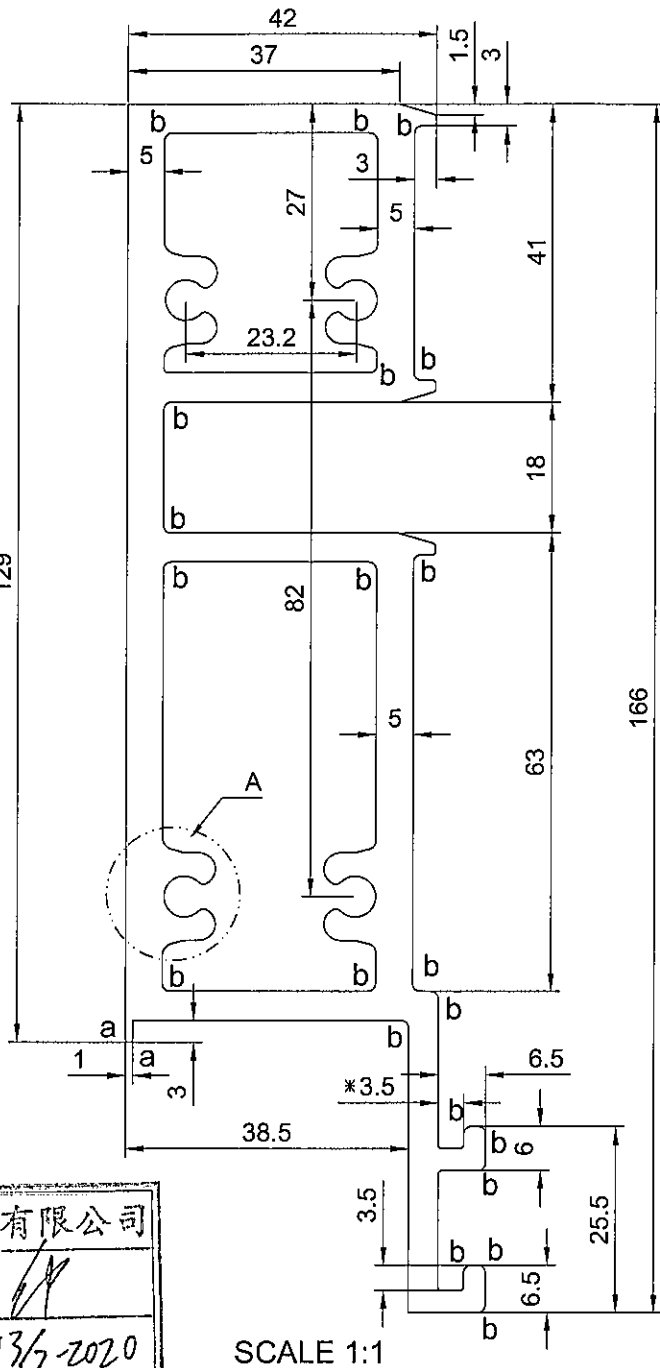
SCALE 1:4

SCALE 1:2



A  
2:1

美特鋁質有限公司	
承認圖面	
日期	13/2-2020



SCALE 1:1

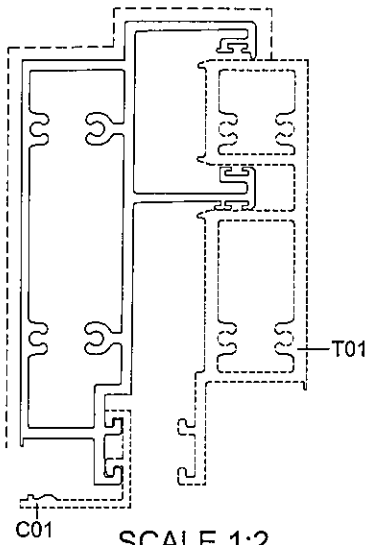
APPROVED :

6063-T6  
Unspec.Radius: R0.5  
Unspec.Thickness:4.0

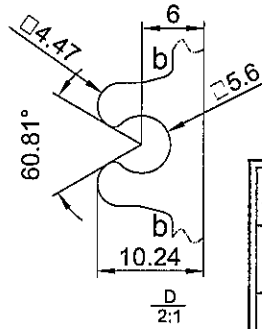
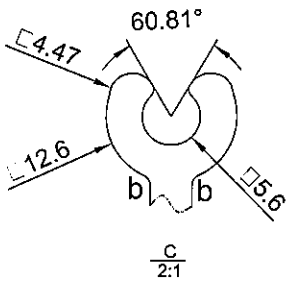
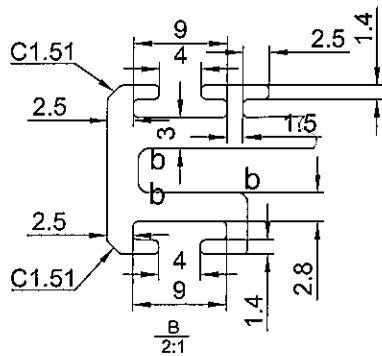
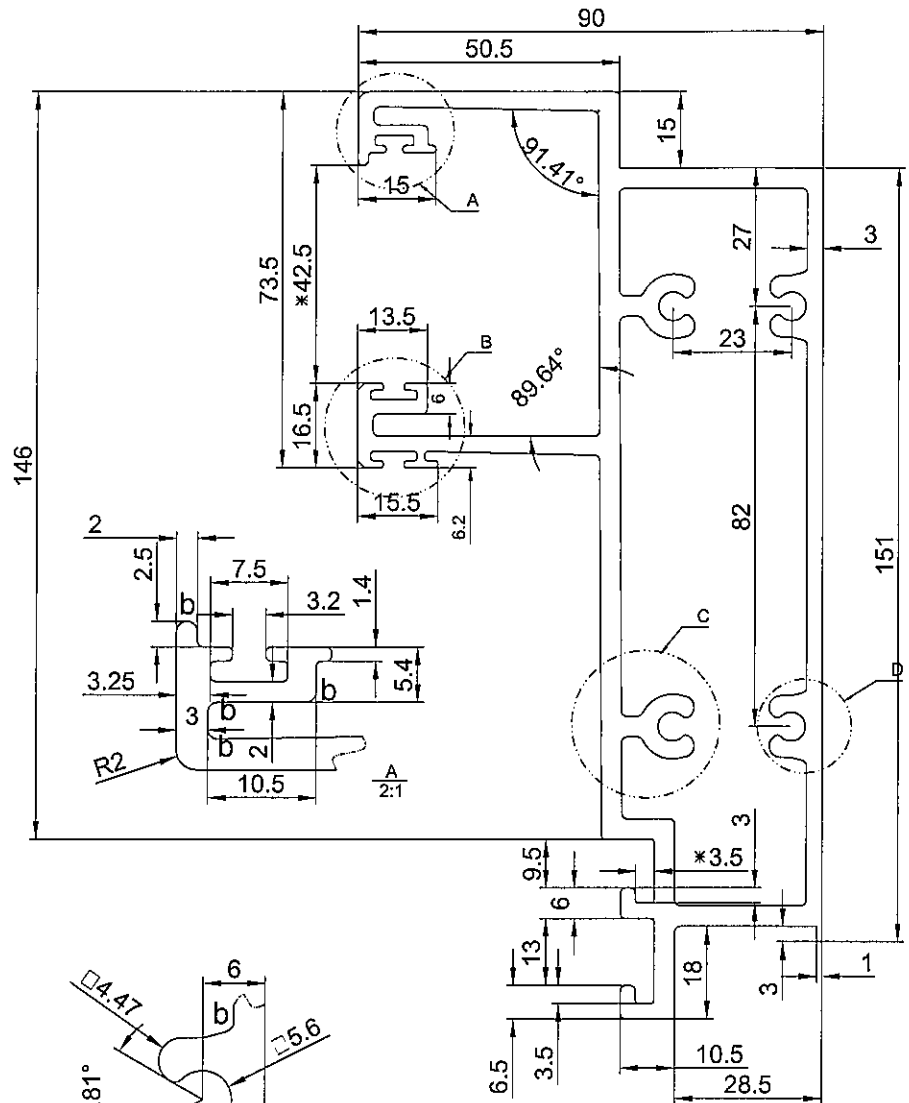
Exposed Surface: - - - -  
1.Important dimension: \*  
2.Referenced dimension:( )

a=R0.3  
b=R1.0  
v=R0.3XDP0.3

SECTIONAL AREA	mm <sup>2</sup>	ADDITIONAL TOLERANCE	DATE	REVISION			
				NO.	DATE	NAME	DESCRIPTION
2104.48		Thickness ± 0.1 mm	09/01/2020				
WEIGHT	KG/M	Flatness 0.1 /25mm width	SCALE				
5.7		Straightness 0.3 /300mm	1 : 1				
PERIMETER	mm	Twist 0.5° /300 mm max	DRAWN				
925.78		Angularity ± 1.0 degree	CHECK				
V.F.	mm						
166.17							



SCALE 1:2



美特鋁質有限公司 SCALE 1:1  
承認圖面  
日期 13/2-2020

APPROVED :

6063-T6

Unspec.Radius: R0.5

Unspec.Thickness: 4.0

Exposed Surface: -----

1.Important dimension: \*

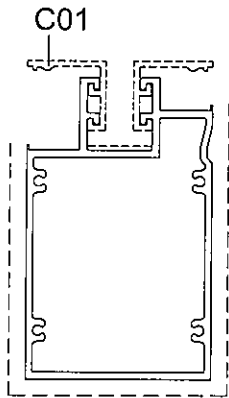
2.Referenced dimension:( )

a=R0.3

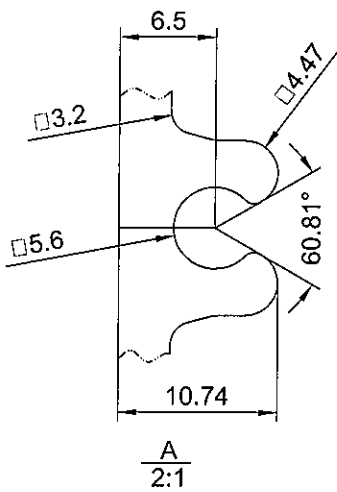
b=R1.0

v=R0.3XDP0.3

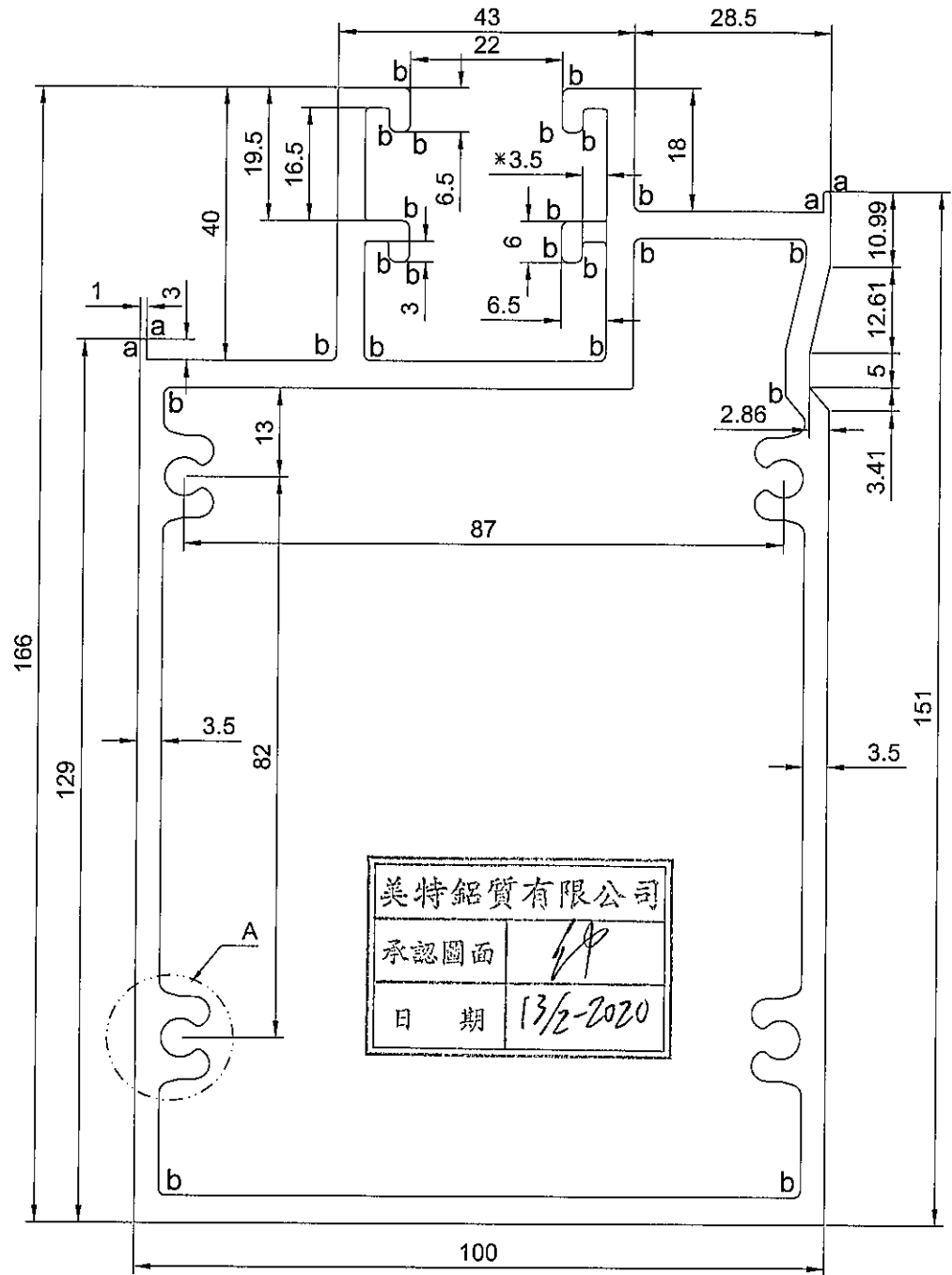
SECTIONAL AREA		ADDITIONAL TOLERANCE		DATE	REVISION			
2296.64	mm <sup>2</sup>	Thickness	± 0.1	09/01/2020	NO.	DATE	NAME	DESCRIPTION
6.22	KG/M	Flatness	0.1 /25mm width	SCALE				
1304.14	mm	Straightness	0.3 /300mm	1 : 1				
269.95	mm	Twist	0.5° /300 mm max	DRAWN				
		Angularity	± 1.0 degree	CHECK				



SCALE 1:4



A  
2:1



SCALE 1:1

美特鋁質有限公司  
承認圖面  
日期 13/2-2020

APPROVED :

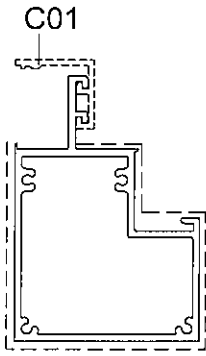
6063-T6  
Unspec.Radius: R0.5  
Unspec.Thickness:4.0

Exposed Surface: ----  
1.Important dimension: \*  
2.Referenced dimension:( )

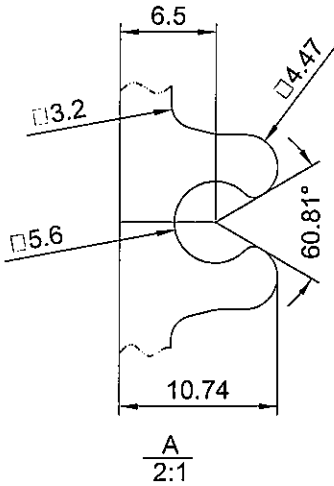
a=R0.3  
b=R1.0  
v=R0.3XDP0.3

SECTIONAL AREA	mm <sup>2</sup>	ADDITIONAL TOLERANCE	DATE	REVISION			
				NO.	DATE	NAME	DESCRIPTION
2374.27		Thickness ± 0.1 mm	09/01/2020				
WEIGHT	KG/M	Flatness 0.1 /25mm width	SCALE 1 : 1				
6.43		Straightness 0.3 /300mm	DRAWN -				
PERIMETER	mm	Twist 0.5° /300 mm max	CHECK				
1251.73		Angularity ± 1.0 degree					
V.F.	mm						
417.81							

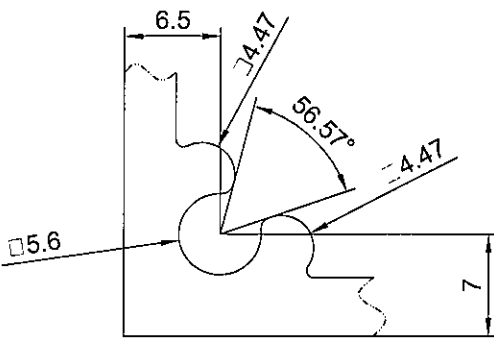




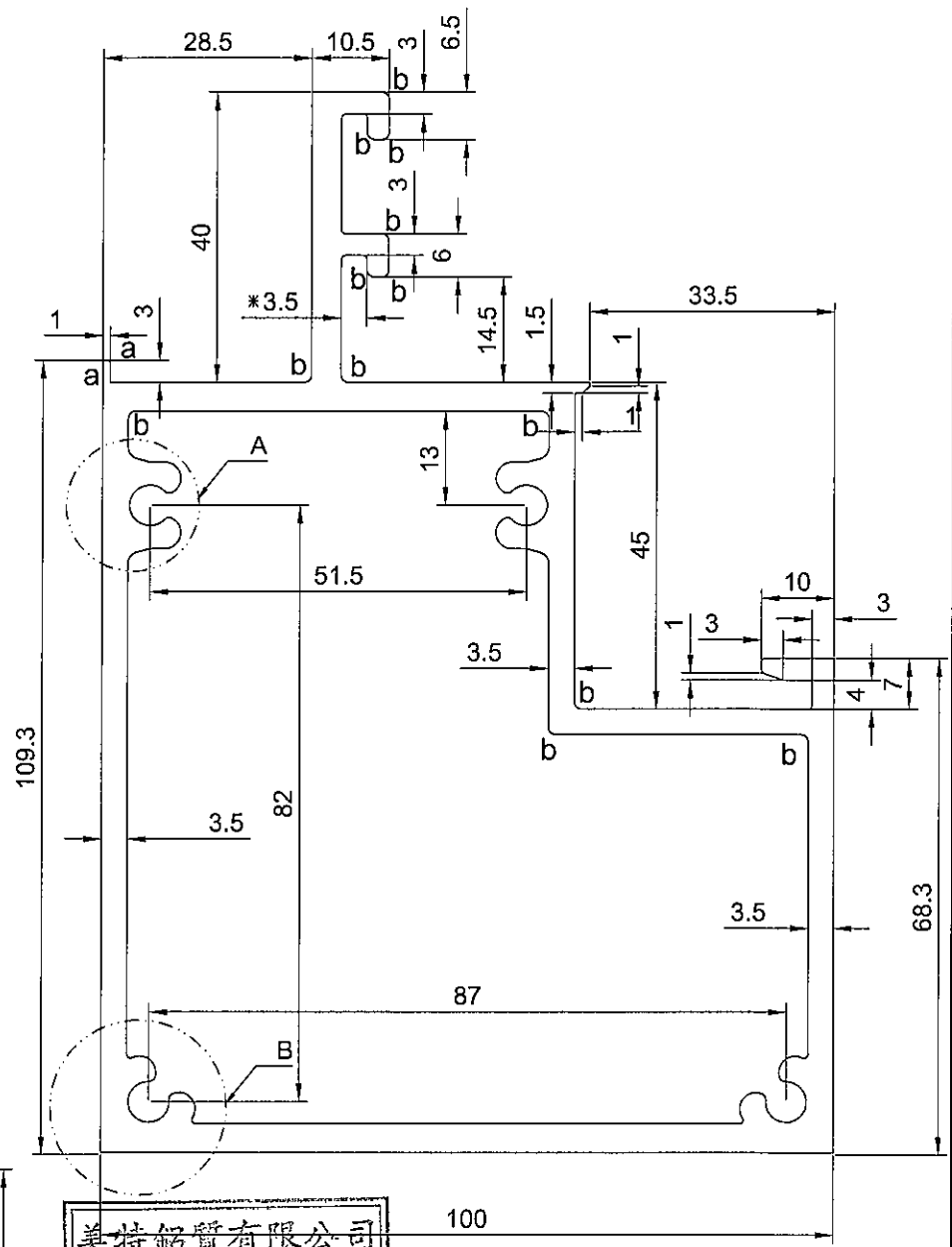
SCALE 1:4



A  
2:1



B  
2:1



美特鋁質有限公司  
承認圖面  
日期 13/2-2020

SCALE 1:1

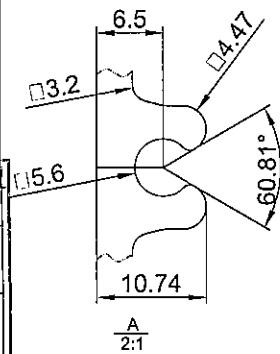
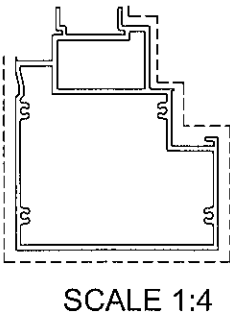
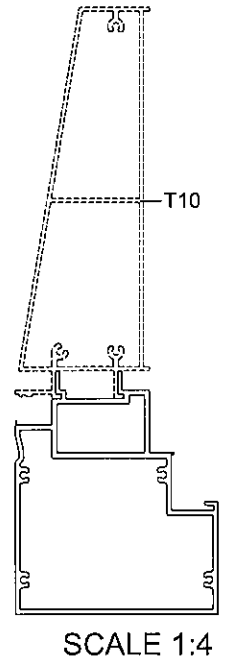
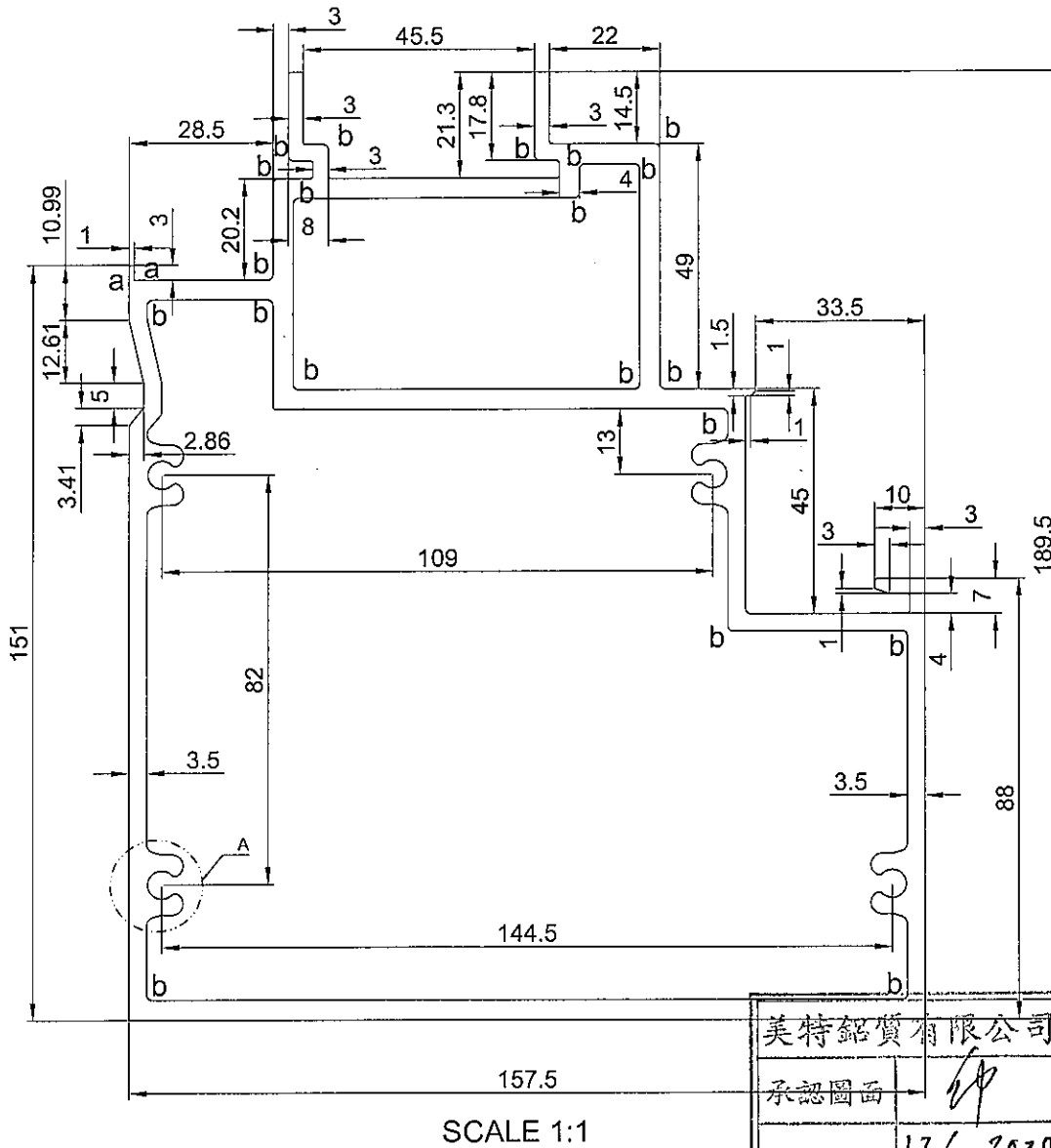
APPROVED :

6063-T6  
Unspec.Radius: R0.5  
Unspec.Thickness:4.0

Exposed Surface: ----  
1.Important dimension: \*  
2.Referenced dimension:( )

a=R0.3  
b=R1.0  
v=R0.3XDP0.3

SECTIONAL AREA	mm <sup>2</sup>	ADDITIONAL TOLERANCE	DATE	REVISION			
				NO.	DATE	NAME	DESCRIPTION
1911.59		Thickness ± 0.1 mm	09/01/2020				
WEIGHT	KG/M	Flatness 0.1 /25mm width	SCALE				
5.18		Straightness 0.3 /300mm	1 : 1				
PERIMETER	mm	Twist 0.5° /300 mm max	DRAWN				
1008.33		Angularity ± 1.0 degree	-				
V.F.	mm		CHECK				
412.65							



美特鋁質有限公司  
承認圖面  
日期 13/2-2020

SCALE 1:1

APPROVED :

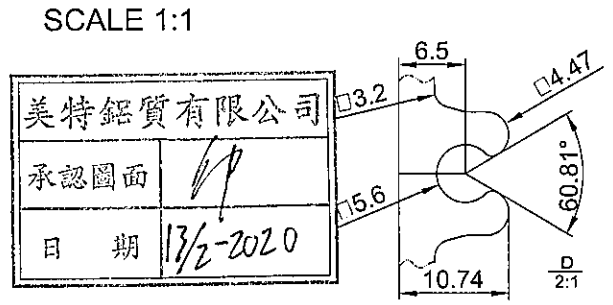
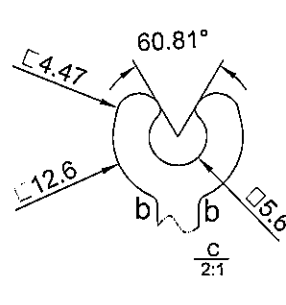
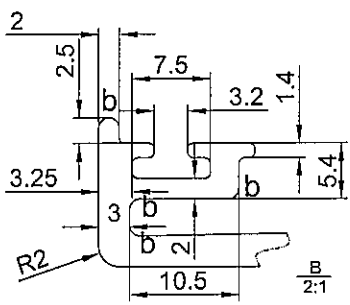
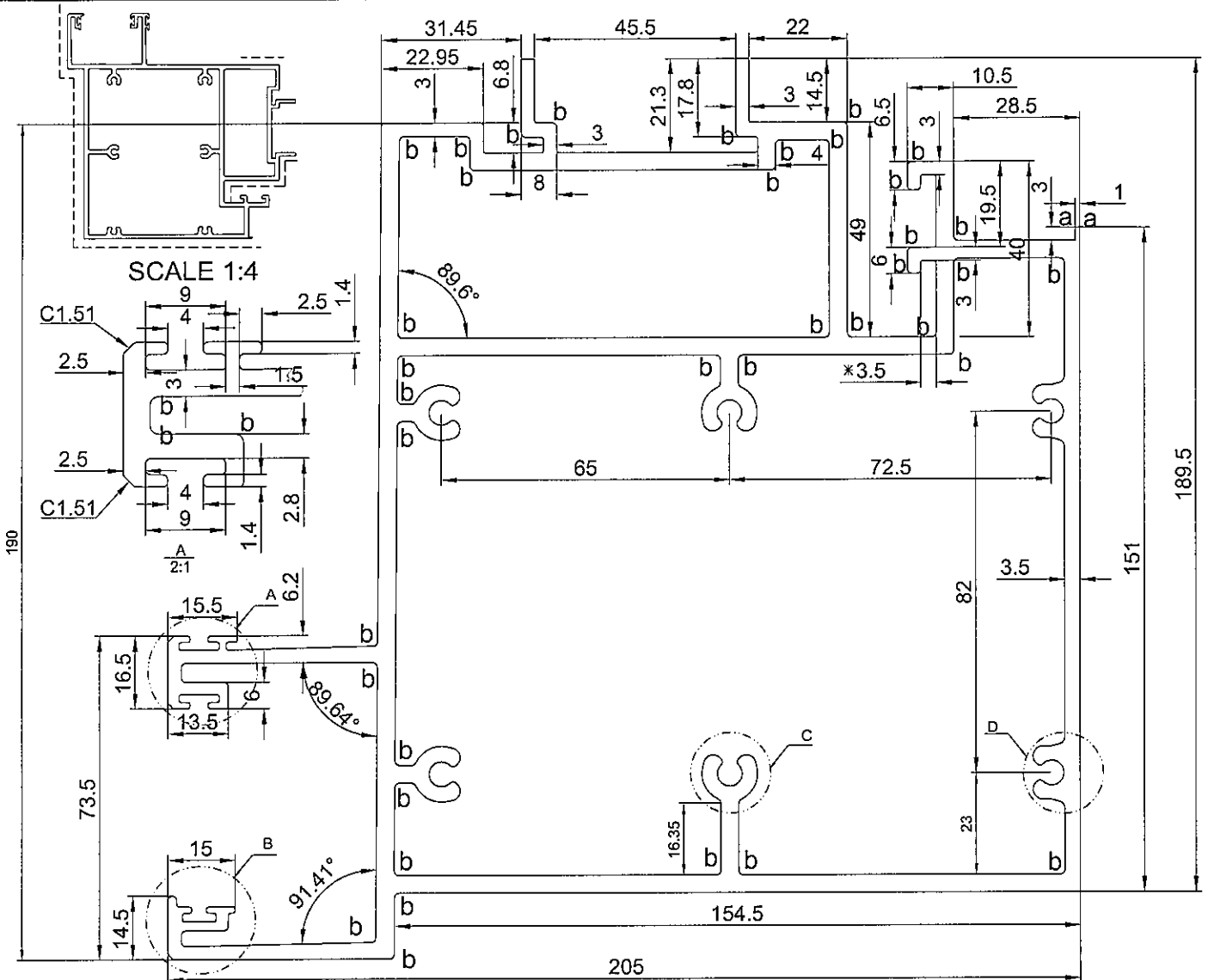
6063-T6  
Unspec.Radius: R0.5  
Unspec.Thickness: 4.0

Exposed Surface: -----  
1.Important dimension: \*  
2.Referenced dimension: ()

a=R0.3  
b=R1.0  
v=R0.3XDP0.3

SECTIONAL AREA	mm <sup>2</sup>	ADDITIONAL TOLERANCE	DATE	REVISION			
				NO.	DATE	NAME	DESCRIPTION
3228.05		Thickness ± 0.1 mm	09/01/2020				
WEIGHT	KG/M	Flatness 0.1 /25mm width	SCALE				
8.75		Straightness 0.3 /300mm	1 : 1				
PERIMETER	mm	Twist 0.5° /300 mm max	DRAWN				
1685.3		Angularity ± 1.0 degree	CHECK				
V.F.	mm						
602.35							





SCALE 1:1

美特鋁質有限公司  
承認圖面  
日期 13/2-2020

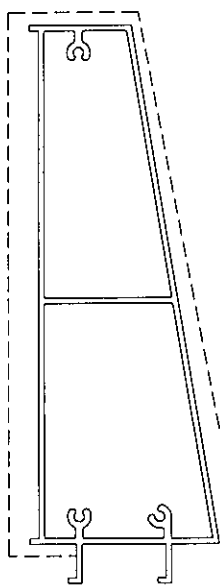
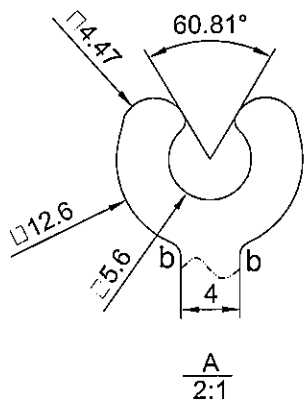
APPROVED :

6063-T6  
Unspec.Radius: R0.5  
Unspec.Thickness: 4.0

Exposed Surface: -----  
1.Important dimension: \*  
2.Referenced dimension:( )

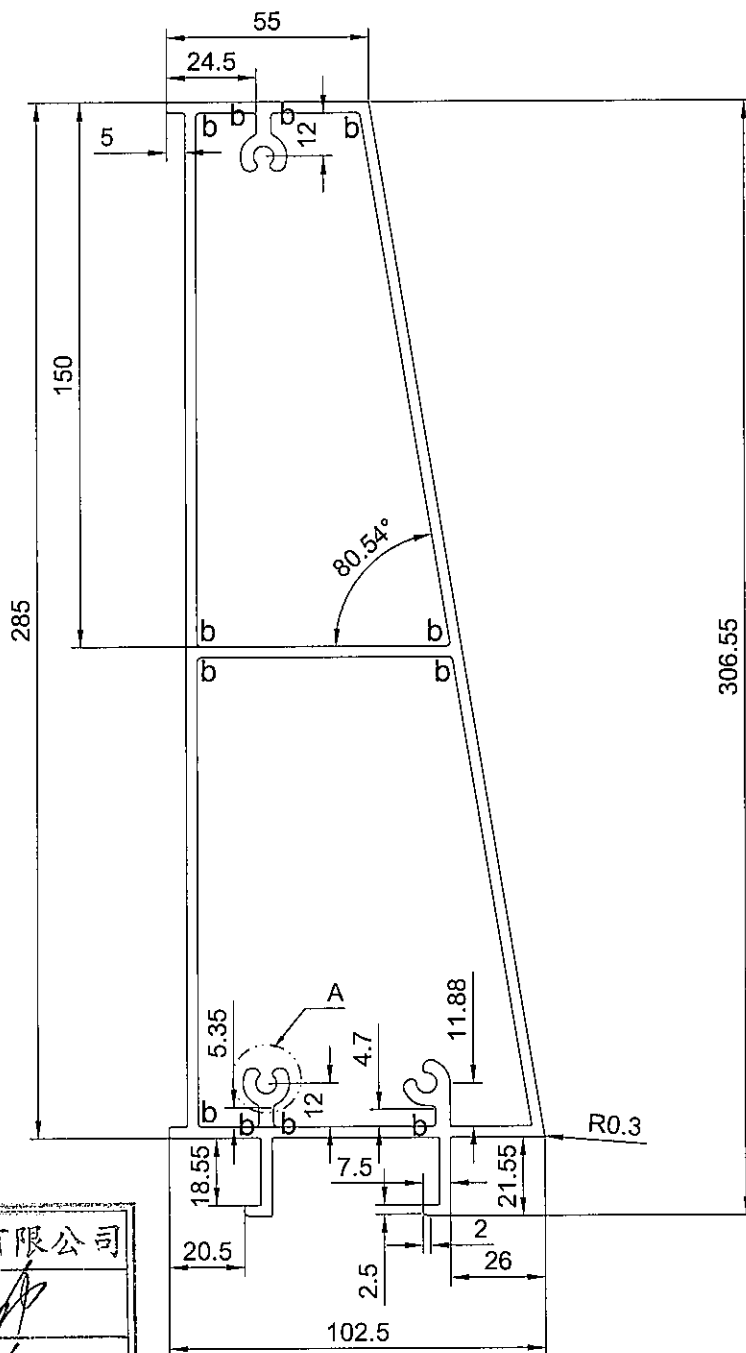
a=R0.3  
b=R1.0  
v=R0.3XDP0.3

SECTIONAL AREA	mm <sup>2</sup>	ADDITIONAL TOLERANCE	DATE	REVISION			
				NO.	DATE	NAME	DESCRIPTION
4496.99		Thickness ± 0.1 mm	09/01/2020				
WEIGHT	KG/M	Flatness 0.1 /25mm width	SCALE				
12.19		Straightness 0.3 /300mm	1 : 1				
PERIMETER	mm	Twist 0.5° /300 mm max	DRAWN				
2389.47		Angularity ± 1.0 degree	CHECK				
V.F.	mm						
510.74							



SCALE 1:4

美特鋁質有限公司	
承認圖面	<i>[Signature]</i>
日期	13/2-2020



SCALE 1:2

APPROVED :

6063-T6

Unspec. Radius: R0.5  
Unspec. Thickness: 1.5

Exposed Surface: - - - -  
1. Important dimension: \*  
2. Referenced dimension: ( )

a=R0.3  
b=R1.0  
v=R0.3XDP0.3

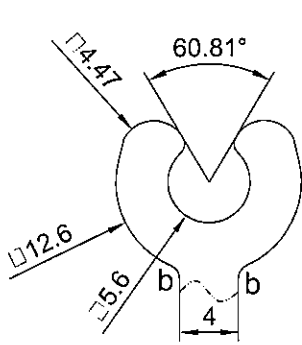
SECTIONAL AREA	mm <sup>2</sup>	ADDITIONAL TOLERANCE	DATE	REVISION			
				NO.	DATE	NAME	DESCRIPTION
2843.76		Thickness ± 0.1 mm	09/01/2020				
WEIGHT	KG/M	Flatness 0.1 /25mm width	SCALE 1 : 1				
PERIMETER	mm	Straightness 0.3 /300mm	DRAWN				
V.F.	mm	Twist 0.5° /300 mm max	CHECK				
		Angularity ± 1.0 degree					

GRAND MING GROUP HOLDINGS LIMITED

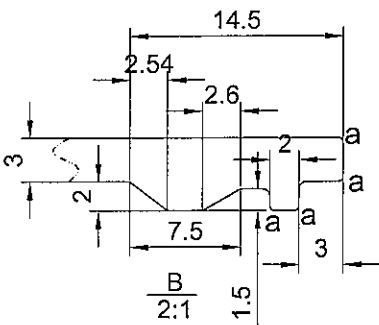
DRAWING NO.  
X85739(0)

REV.

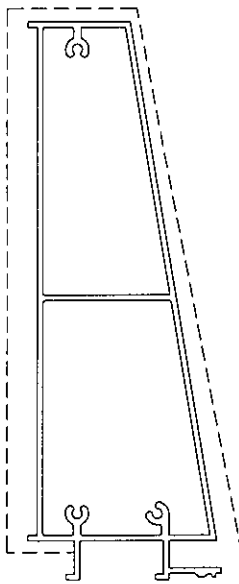
TITLE  
T10



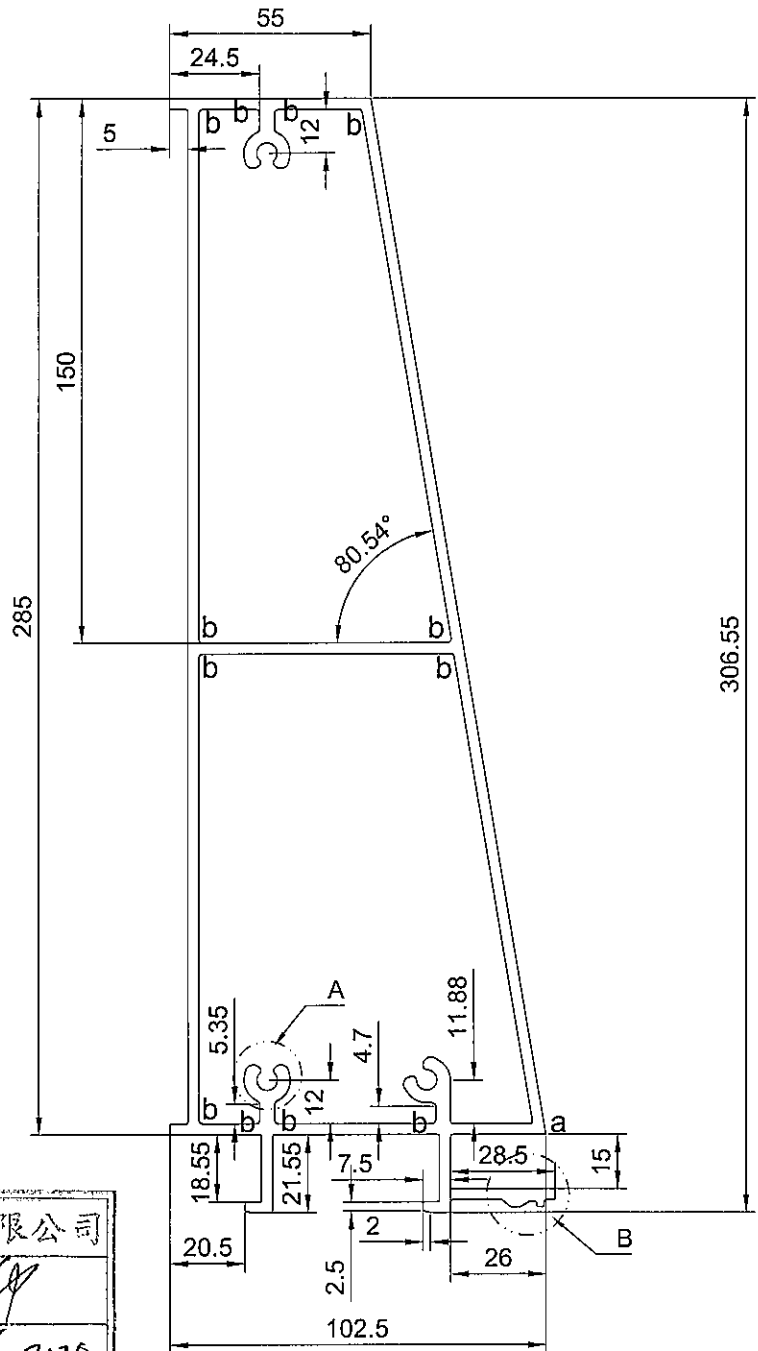
A  
2:1



B  
2:1



SCALE 1:4



SCALE 1:2

美特銘實有限公司  
承認圖面  
日期 13/2-2020

6063-T6

Unspec.Radius: R0.5  
Unspec.Thickness:4.0

Exposed Surface: -----

1.Important dimension: \*  
2.Referenced dimension:( )

a=R0.3  
b=R1.0  
v=R0.3XDP0.3

APPROVED :

SECTIONAL AREA	mm <sup>2</sup>	2944.91
WEIGHT	KG/M	7.98
PERIMETER	mm	1892.18
V.F.	mm	663.10

ADDITIONAL TOLERANCE	DATE
Thickness ± 0.1 mm	09/01/2020
Flatness 0.1 /25mm width	SCALE
Straightness 0.3 /300mm	1 : 1
Twist 0.5° /300 mm max	DRAWN
Angularity ± 1.0 degree	CHECK

NO.	DATE	NAME	DESCRIPTION





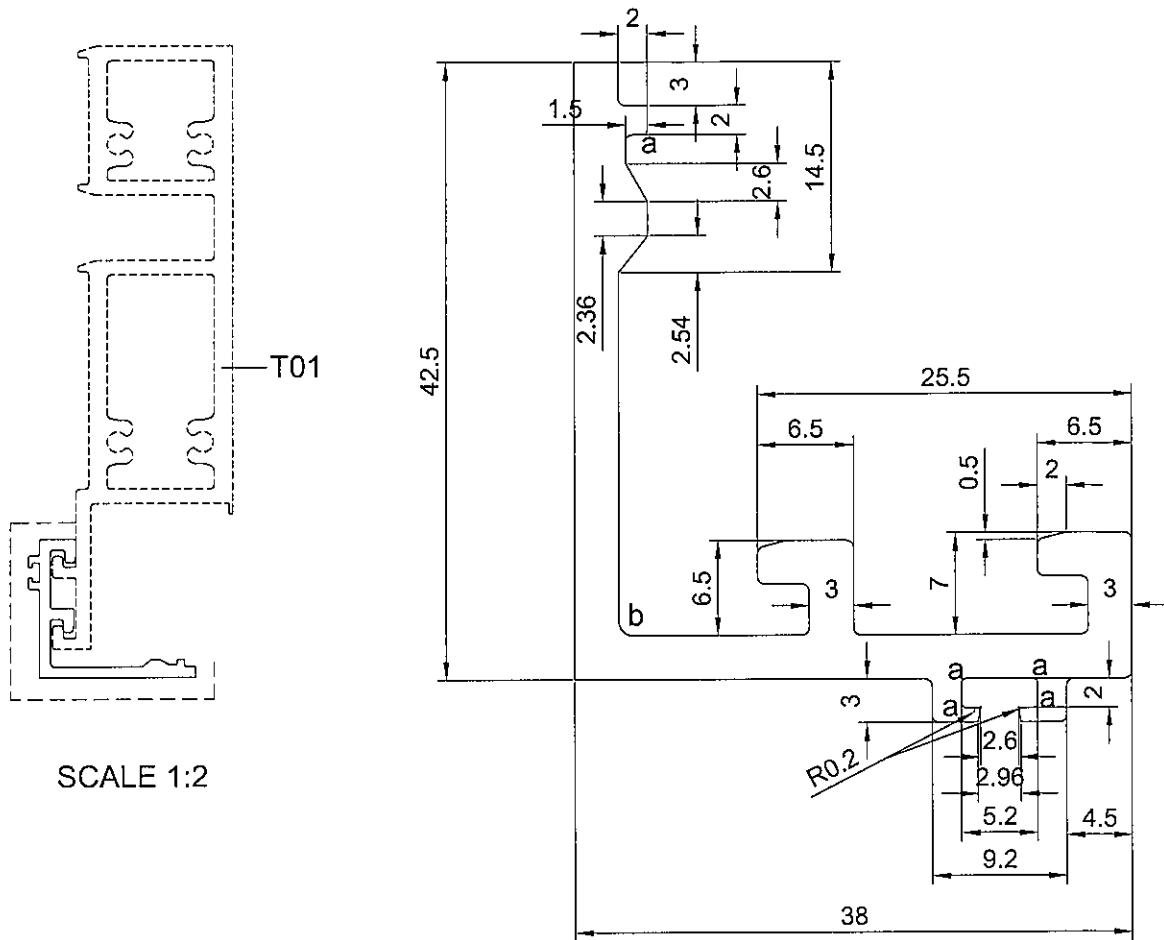


GRAND MING GROUP HOLDINGS LIMITED

DRAWING NO.  
X85742(0)

REV.

TITLE  
C01



SCALE 2:1

美特鋁質有限公司	
承認圖面	<i>[Signature]</i>
日期	3/2-2020

APPROVED :

6063-T5  
Unspec.Radius: R0.5  
Unspec.Thickness:3.0

Exposed Surface: - - - -  
1.Important dimension: \*  
2.Referenced dimension: ()

a=R0.3  
b=R1.0  
v=R0.3XDP0.3

SECTIONAL AREA	mm <sup>2</sup>	ADDITIONAL TOLERANCE	DATE	REVISION			
				NO.	DATE	NAME	DESCRIPTION
323.23		Thickness ± 0.1 mm	09/01/2020				
WEIGHT	KG/M	Flatness 0.1 /25mm width	SCALE				
0.875		Straightness 0.3 /300mm	1 : 1				
PERIMETER	mm	Twist 0.5° /300 mm max	DRAWN				
217.57		Angularity ± 1.0 degree	CHECK				
V.F.	mm						
108.82							

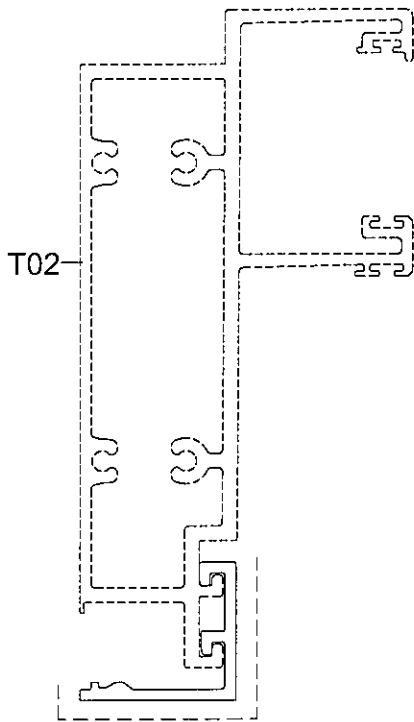


GRAND MING GROUP HOLDINGS LIMITED

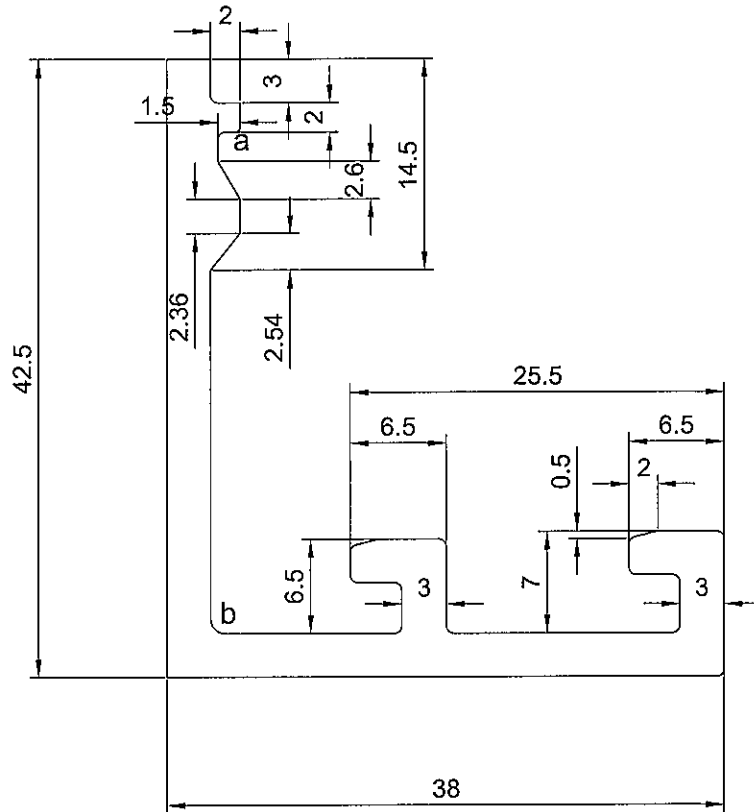
DRAWING NO.  
X85743(0)

REV.

TITLE  
C02



SCALE 1:2



SCALE 2:1

美特鋁質有限公司	
承認圖面	<i>[Signature]</i>
日期	13/2-2020

6063-T5

Unspec.Radius: R0.5

Unspec.Thickness:3.0

Exposed Surface: - - - -

1.Important dimension: \*

2.Referenced dimension:( )

a=R0.3

b=R1.0

v=R0.3XDP0.3

APPROVED :

SECTIONAL AREA	mm <sup>2</sup>	ADDITIONAL TOLERANCE	DATE	REVISION			
				NO.	DATE	NAME	DESCRIPTION
308.75		Thickness ± 0.1 mm	09/01/2020				
WEIGHT	KG/M	Flatness 0.1 /25mm width	SCALE				
0.83		Straightness 0.3 /300mm	1 : 1				
PERIMETER	mm	Twist 0.5° /300 mm max	DRAWN				
202.32		Angularity ± 1.0 degree	CHECK				
V.F.	mm						
83.79							

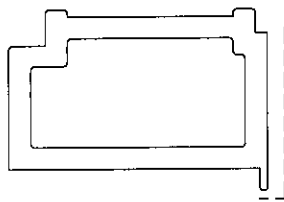


GRAND MING GROUP HOLDINGS LIMITED

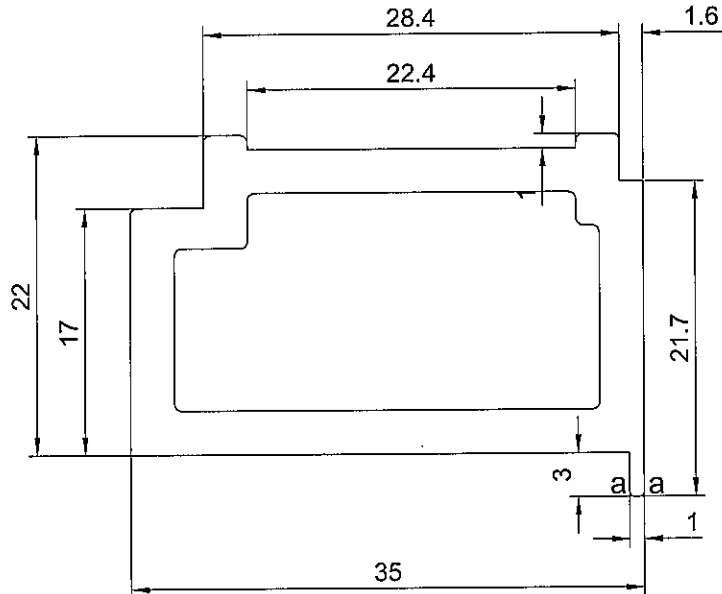
DRAWING NO.  
X85744(0)

REV.

TITLE  
A01



SCALE 1:1



SCALE 2:1

美特鋁質有限公司	
承認圖面	<i>[Signature]</i>
日期	13/2-2020

APPROVED :

6063-T5

Unspec.Radius: R0.5  
Unspec.Thickness:3.0

Exposed Surface: - - - -

1.Important dimension: \*  
2.Referenced dimension: ()

a=R0.3  
b=R1.0  
v=R0.3XDP0.3

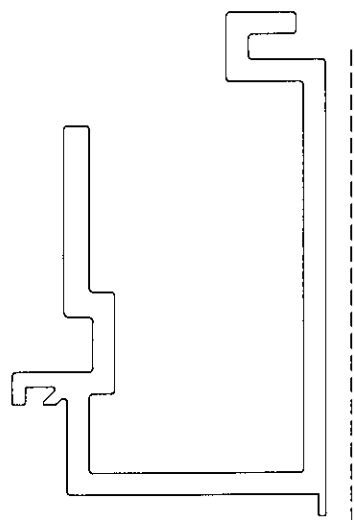
SECTIONAL AREA	mm <sup>2</sup>	ADDITIONAL TOLERANCE	DATE	REVISION			
				NO.	DATE	NAME	DESCRIPTION
307.91		Thickness ± 0.1 mm	09/01/2020				
WEIGHT	KG/M	Flatness 0.1 /25mm width	SCALE				
0.83		Straightness 0.3 /300mm	1 : 1				
PERIMETER	mm	Twist 0.5° /300 mm max	DRAWN				
206.95		Angularity ± 1.0 degree	-				
V.F.	mm		CHECK				
22.742							

GRAND MING GROUP HOLDINGS LIMITED

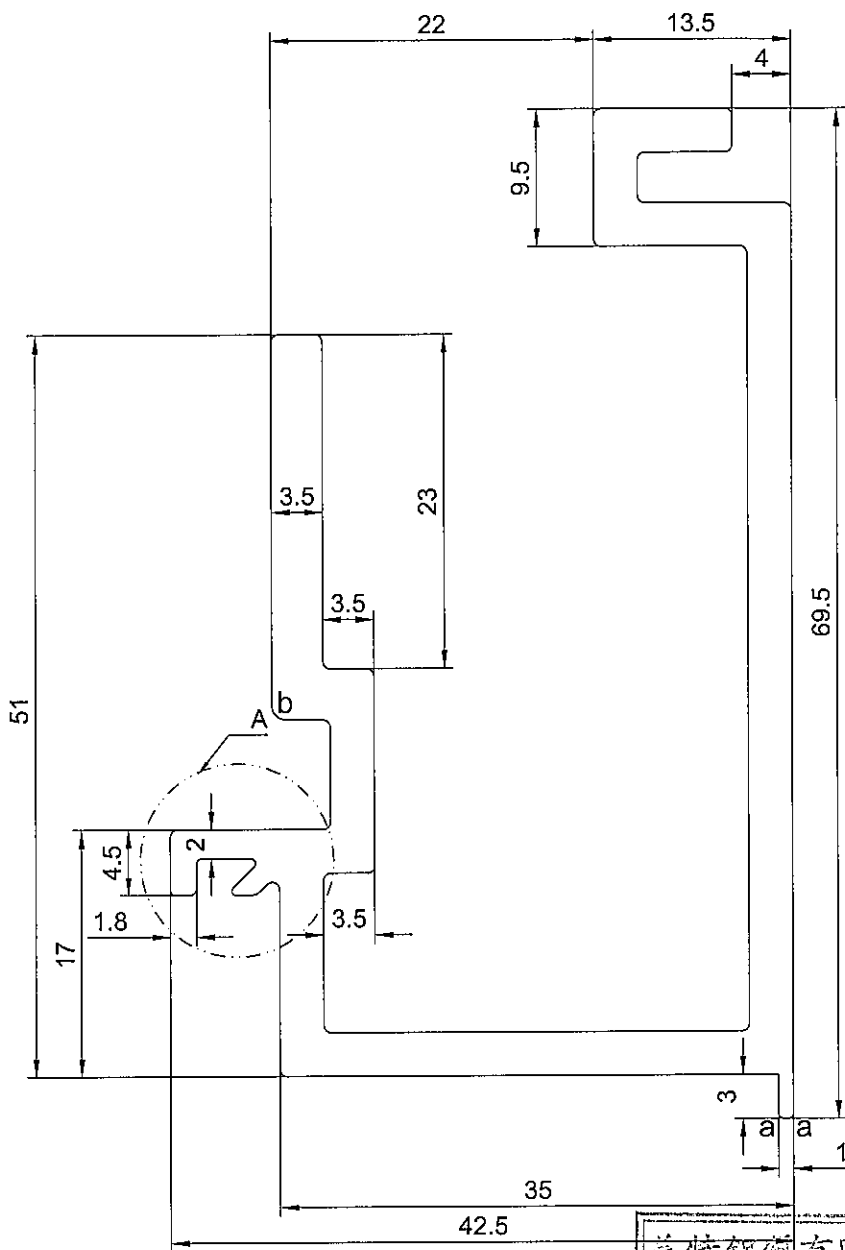
DRAWING NO.  
X85745(0)

REV.

TITLE  
A02



SCALE 1:1



SCALE 2:1

美特鋁質有限公司	
承認圖面	<i>[Signature]</i>
日期	13/2-2020

APPROVED :

6063-T5

Unspec.Radius: R0.5  
Unspec.Thickness:3.0

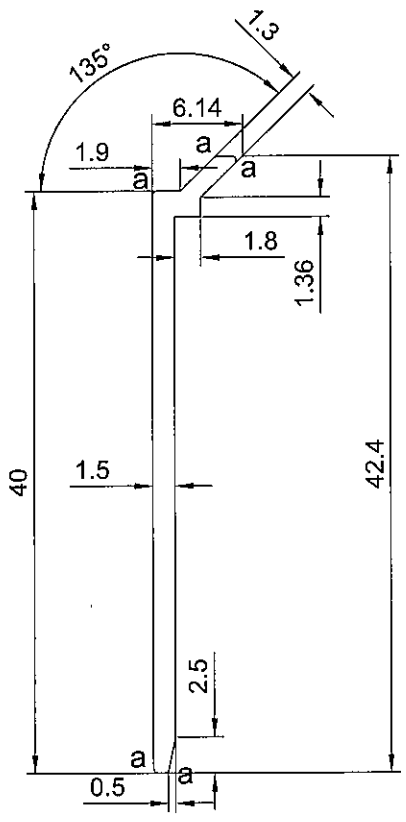
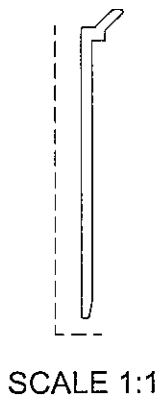
Exposed Surface: ----

1.Important dimension: \*  
2.Referenced dimension:( )


a=R0.3  
b=R1.0  
v=R0.3XDP0.3

SECTIONAL AREA	mm <sup>2</sup>	ADDITIONAL TOLERANCE	DATE	REVISION			
				NO.	DATE	NAME	DESCRIPTION
553.76		Thickness ± 0.1 mm	09/01/2020				
WEIGHT	KG/M	Flatness 0.1 /25mm width	SCALE				
1.50		Straightness 0.3 /300mm	1 : 1				
PERIMETER	mm	Twist 0.5° /300 mm max	DRAWN				
371.58		Angularity ± 1.0 degree	CHECK				
V.F.	mm						
63.46							

 GRAND MING GROUP HOLDINGS LIMITED	DRAWING NO. X85746(0)	REV.	TITLE A03
--	-----------------------	------	-----------



SCALE 2:1

美特鋁質有限公司	
承認圖面	
日期	13/2-2020

APPROVED : 6063-T5 Exposed Surface: ---- a=R0.3

Unspec.Radius: R0.5 1.Important dimension: \* b=R1.0

Unspec.Thickness:3.0 2.Referenced dimension:( ) v=R0.3XDP0.3

SECTIONAL AREA	mm <sup>2</sup>	ADDITIONAL TOLERANCE	DATE	REVISION			
				NO.	DATE	NAME	DESCRIPTION
66.95		Thickness ± 0.1 mm	09/01/2020				
WEIGHT	KG/M	Flatness 0.1 /25mm width	SCALE				
0.18		Straightness 0.3 /300mm	1 : 1				
PERIMETER	mm	Twist 0.5° /300 mm max	DRAWN				
92.46		Angularity ± 1.0 degree	-				
V.F.	mm		CHECK				
41.21							

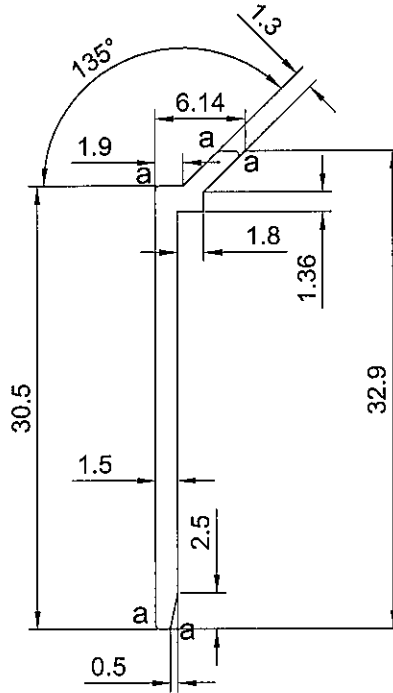
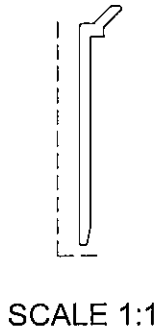


GRAND MING GROUP HOLDINGS LIMITED

DRAWING NO.  
X85747(0)

REV.

TITLE  
A04



SCALE 2:1

美特鋁質有限公司	
承認圖面	<i>[Signature]</i>
日期	13/2-2020

APPROVED :

6063-T5  
Unspec.Radius: R0.5  
Unspec.Thickness:3.0

Exposed Surface: ----  
1.Important dimension: \*  
2.Referenced dimension:( )

a=R0.3  
b=R1.0  
v=R0.3XDP0.3

SECTIONAL AREA	mm <sup>2</sup>	ADDITIONAL TOLERANCE	DATE	REVISION			
				NO.	DATE	NAME	DESCRIPTION
52.70		Thickness ± 0.1 mm	09/01/2020				
WEIGHT	KG/M	Flatness 0.1 /25mm width	SCALE				
0.14		Straightness 0.3 /300mm	1 : 1				
PERIMETER	mm	Twist 0.5° /300 mm max	DRAWN				
73.46		Angularity ± 1.0 degree	CHECK				
V.F.	mm						
31.709							

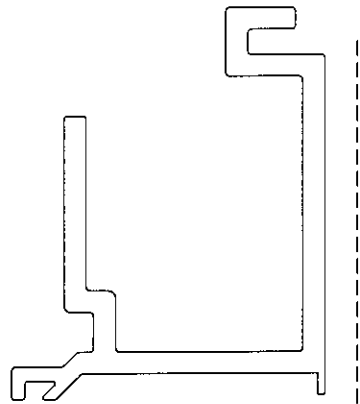
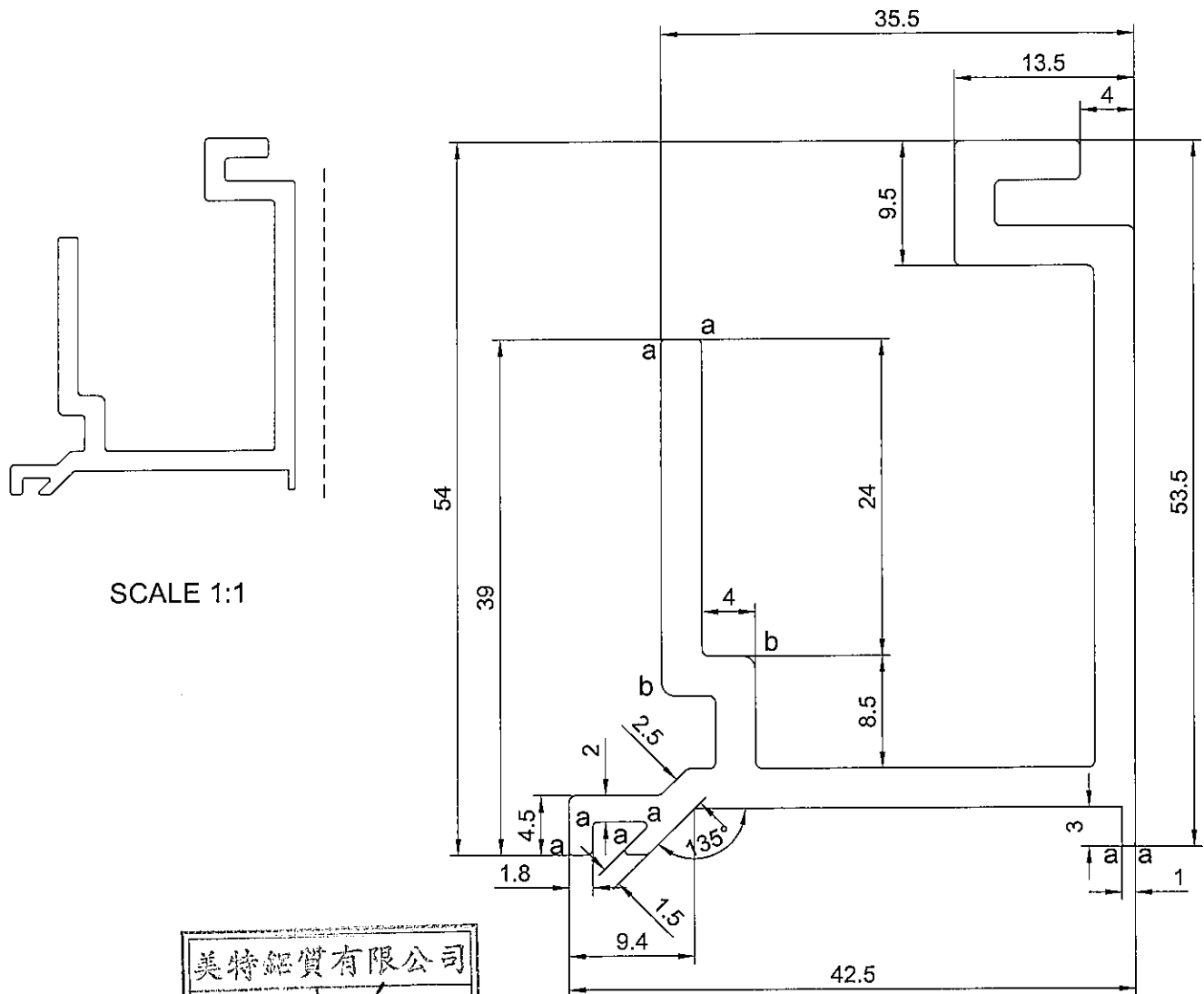


GRAND MING GROUP HOLDINGS LIMITED

DRAWING NO.  
X85748(0)

REV.

TITLE  
A08



SCALE 1:1

SCALE 2:1

美特鋁質有限公司	
承認圖面	<i>19</i>
日期	13/2-2020

APPROVED :

6063-T5  
Unspec.Radius: R0.5  
Unspec.Thickness:3.0

Exposed Surface: - - - -  
1.Important dimension: \*  
2.Referenced dimension:( )

a=R0.3  
b=R1.0  
v=R0.3XDP0.3

SECTIONAL AREA	mm <sup>2</sup>	ADDITIONAL TOLERANCE	DATE	REVISION			
				NO.	DATE	NAME	DESCRIPTION
436.02		Thickness ± 0.1 mm	09/01/2020				
WEIGHT	KG/M	Flatness 0.1 /25mm width	SCALE				
1.181		Straightness 0.3 /300mm	1 : 1				
PERIMETER	mm	Twist 0.5° /300 mm max	DRAWN				
304.89		Angularity ± 1.0 degree	CHECK				
V.F.	mm						
47.46							



GRAND MING GROUP HOLDINGS LIMITED

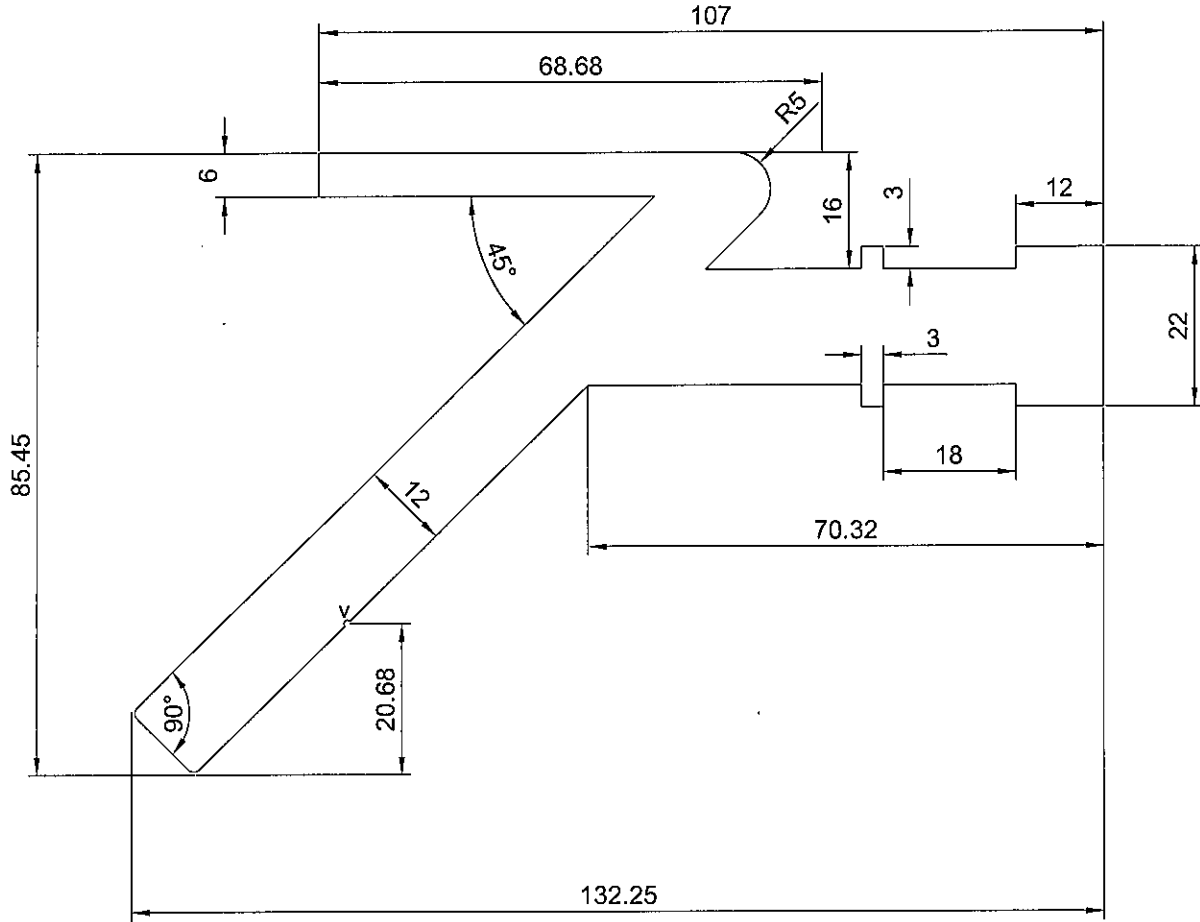
DRAWING NO.

X85749(0)

REV.

TITLE

B02



SCALE 1:1

奧特鋁質有限公司	
承認圖面	<i>[Signature]</i>
日期	13/2-2020

APPROVED :

6063-T6

Unspec.Radius: R0.5

1.Important dimension: \*

2.Referenced dimension:( )

a=R0.3

b=R1.0

v=R0.5XDP0.5

SECTIONAL AREA	mm <sup>2</sup>	ADDITIONAL TOLERANCE	DATE	REVISION			
				NO.	DATE	NAME	DESCRIPTION
2725.72		Thickness ± 0.1 mm	09/01/2020				
WEIGHT	KG/M	Flatness 0.1 /25mm width	SCALE				
7.39		Straightness 0.3 /300mm	1 : 1				
PERIMETER	mm	Twist 0.5° /300 mm max	DRAWN				
482.95		Angularity ± 1.0 degree	-				
V.F.	mm		CHECK				

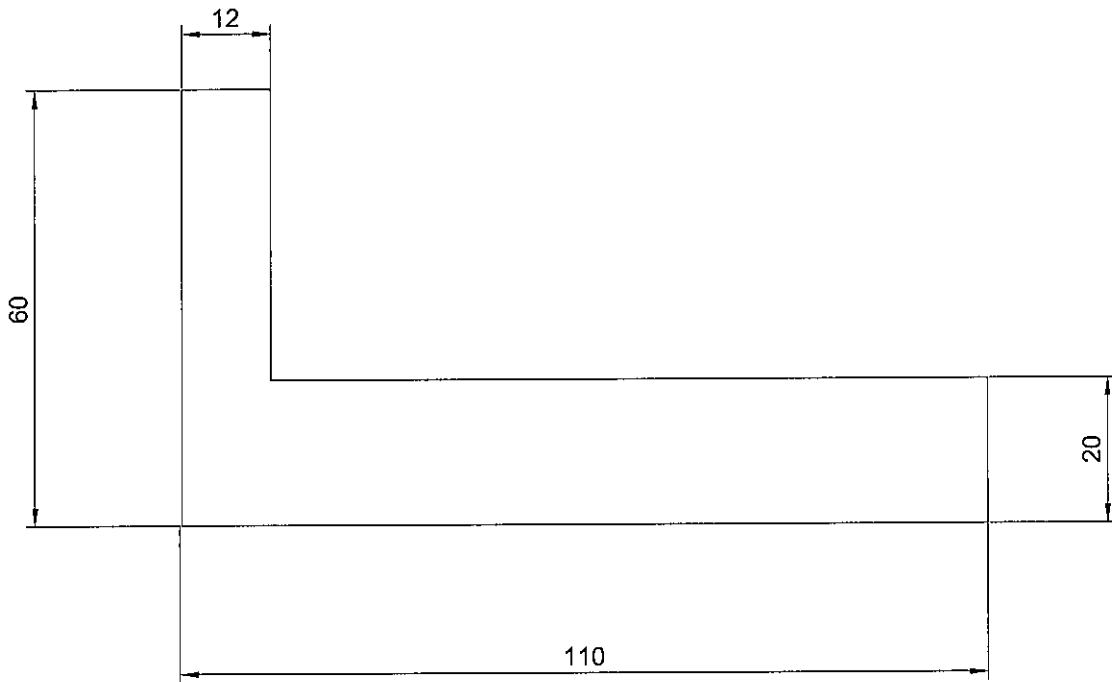


GRAND MING GROUP HOLDINGS LIMITED

DRAWING NO.  
X85750(0)

REV.

TITLE  
B04



SCALE 1:1

美特鋁質有限公司	
承認圖面	<i>JP</i>
日期	13/2-2020

APPROVED :


6063-T6

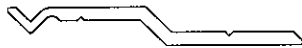
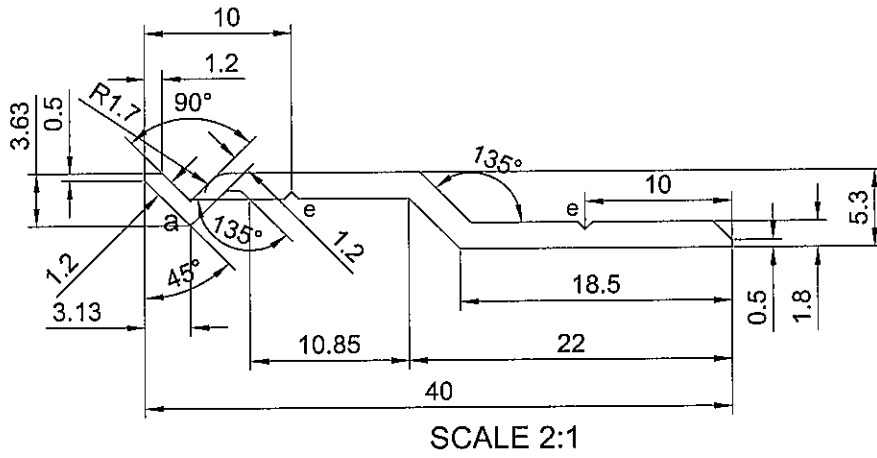
Unspec.Radius: R0.5  
Unspec.Thickness:3.0

1.Important dimension: \*  
2.Referenced dimension:( )


a=R0.3  
b=R1.0  
v=R0.5XDP0.5

SECTIONAL AREA	mm <sup>2</sup>	ADDITIONAL TOLERANCE	DATE	REVISION			
				NO.	DATE	NAME	DESCRIPTION
2680		Thickness ± 0.1 mm	09/01/2020				
WEIGHT	KG/M	Flatness 0.1 /25mm width	SCALE				
7.26		Straightness 0.3 /300mm	1 : 1				
PERIMETER	mm	Twist 0.5° /300 mm max	DRAWN				
482.95		Angularity ± 1.0 degree	-				
V.F.	mm		CHECK				

 <b>GRAND MING GROUP HOLDINGS LIMITED</b>	DRAWING NO.	REV.	TITLE
	X85751(0)		B07



SCALE 1:1

美特鋁質有限公司	
承認圖面	
日期	13/2-2020

APPROVED :

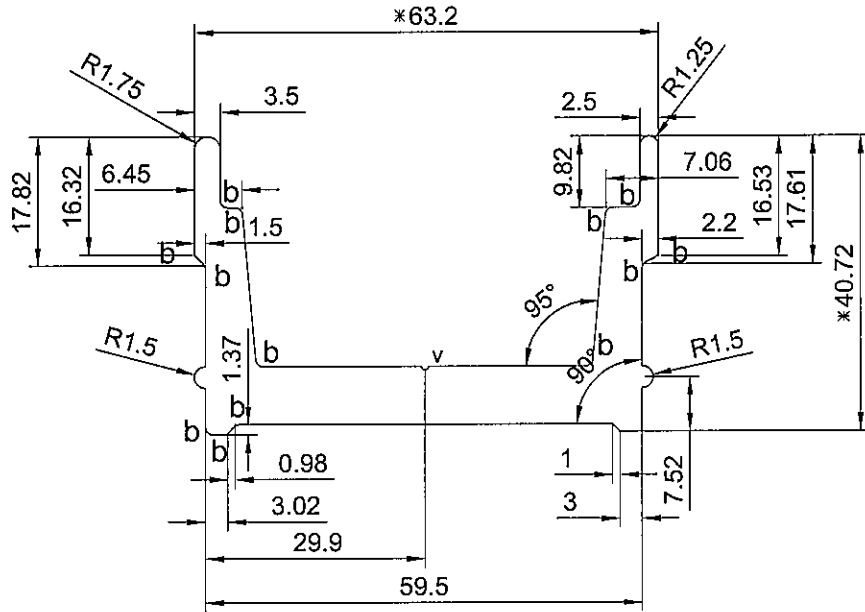
6063-T5  
 Unspec.Radius: R0.5  
 Unspec.Thickness:1.8

Exposed Surface: -----

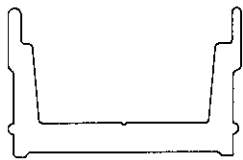
- 1.Important dimension: \*
- 2.Referenced dimension:( )

a=R0.3  
 b=R1.0  
 e=C0.5XDP0.5

SECTIONAL AREA	mm <sup>2</sup>	ADDITIONAL TOLERANCE	DATE	REVISION			
				NO.	DATE	NAME	DESCRIPTION
71		Thickness ± 0.1 mm	09/01/2020				
WEIGHT	KG/M	Flatness 0.1 /25mm width	SCALE				
0.192		Straightness 0.3 /300mm	1 : 1				
PERIMETER	mm	Twist 0.5° /300 mm max	DRAWN				
89.16		Angularity ± 1.0 degree	CHECK				
V.F.	mm						
70.67							



SCALE 1:1



SCALE 1:2

美特鋁質有限公司	
承認圖面	
日期	13/2-2020


APPROVED :

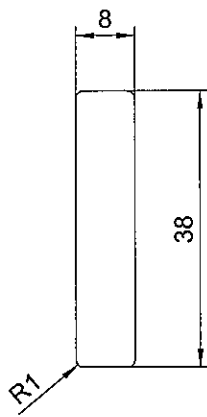
6063-T6  
Unspec.Radius: R0.5  
Unspec.Thickness:8.0

1.Important dimension: \*  
2.Referenced dimension: ()

a=R0.3  
b=R1.0  
v=R0.5XDP0.5

SECTIONAL AREA	mm <sup>2</sup>	ADDITIONAL TOLERANCE	DATE	REVISION			
				NO.	DATE	NAME	DESCRIPTION
831.37		Thickness ± 0.1 mm	09/01/2020				
WEIGHT	KG/M	Flatness 0.1 /25mm width	SCALE				
2.25		Straightness 0.3 /300mm	1 : 1				
PERIMETER	mm	Twist 0.5° /300 mm max	DRAWN				
265.34		Angularity ± 1.0 degree	CHECK				
V.F.	mm						

 GRAND MING GROUP HOLDINGS LIMITED	DRAWING NO.	REV.	TITLE
	X85753(0)		G02



美特鋁質有限公司	
承認圖面	<i>[Signature]</i>
日期	13/2-2020

APPROVED : 6063-T6
Unspec.Radius: R0.5
1.Important dimension: \*
a=R0.3

Unspec.Thickness:3.0
2.Referenced dimension:( )
b=R1.0
v=R0.5XDP0.5

SECTIONAL AREA	mm <sup>2</sup>	ADDITIONAL TOLERANCE	DATE	REVISION			
				NO.	DATE	NAME	DESCRIPTION
303.142		Thickness ± 0.1 mm	09/01/2020				
WEIGHT	KG/M	Flatness 0.1 /25mm width	SCALE				
0.821		Straightness 0.3 /300mm	1 : 1				
PERIMETER	mm	Twist 0.5° /300 mm max	DRAWN				
90.283		Angularity ± 1.0 degree	-				
V.F.	mm		CHECK				