



工程指示 / 要求簡箋(E.I.)

工程指示編號：EI/1231 / 19

修改版次：A

工程編號：J851

工程名稱：青衣明翹匯住宅

工程項目：樣板窗施工圖

收件人：生統 / 琅

發件人：Leung Hin Wai

日期：19/11/2019

要求提供 /  確認 事項：

- ( ) 初步鋁料 B.M.
- ( ) 正式鋁料 B.M.
- ( ) 配件 B.M.
- ( ) 其他：\_\_\_\_\_
- ( ) 加工拆圖，然後生產
- ( ) 技術上資料 / 指示
- ( ) 樣辦或貨品說明書
- ( ) 尺寸表
- ( ) 報價
- ( ) 分判合約

內容：

請看附頁圖紙。 在 11月19日修改圖紙

請在 \_\_\_\_\_ 前完成上列要求。

附： -

以上項目為：

- 原合約工程包
- 原合約工程加 / 減賬
- 新工程報價

原因： -

分發東莞各部門：

- ( ) 生產技術總監  連附件
- ( ) 技術部  連附件
- ( ) 生產部  連附件
- ( ) 機械設計部  連附件
- ( ) 採購部  連附件
- ( ) 生產統籌部  連附件
- ( ) 質檢部  連附件
- ( ) 會計部  連附件
- ( ) 報關組  連附件
- ( ) 其他 \_\_\_\_\_  連附件

分發香港各部門：

- ( ) 行政部  連附件
- ( ) 會計部  連附件
- ( ) 統籌部  連附件
- ( ) 工程部地盤科文(柄)  連附件
- ( ) 採購部  連附件
- ( ) QS 部  連附件
- ( ) 維修部  連附件
- ( ) 其他 \_\_\_\_\_  連附件

傳遞編號：

HK 2364

發件人簽署：

項目經理簽署：

2

**PROJECT :**

**RESIDENTIAL DEVELOPMENT AT  
TSING YI TOWN LOT 190  
SAI SHAN ROAD**

**DRAWING FOR MOCK UP  
ALUM. WINDOW, ALUM. GRILLE,  
GLASS BALUSTRADE AND ALUM. FEATURE  
(TOWER 1)**

**DATE : 19 - November - 2019**



**美特鋁質有限公司  
MIDI ALUMINIUM FABRICATOR LTD.**

Units: 6-8, Sunray Industrial Centre, 1/F  
610 Cha Kwo Ling Road, Kowloon  
Tel: 23469211-4 Fax: (852) 2727866

DWG. NO. : JB97-MU-000

REV. : A

ALC INC





**B.D. REF :**  
**F.S.D. REF :**  
**REMARKS :**  
 1. All dimensions are in mm.  
 2. All dimensions are taken from outside.  
 3. All dimensions to be verified on site before fabrication.

**GENERAL NOTES**

**LEGEND :**  
 1. F.F.L. — Finished Floor Level  
 2. S.F.L. — Structural Floor Level  
 3. — — — — — Proposed Detail

**DETAIL MARK NO.**  
 X11  
 X001 — RETRO SHEET NO.

NO.	REVISION	DATE
1.	ISSUED	

**CLIENT :**  
 佳明集團控股有限公司  
 CHAI WAH GROUP HOLDINGS LIMITED

**ARCHITECT :**  
 HOANG TUNG & PARTNERS LIMITED  
 ARCHITECTS & PLANNERS

**STRUCTURAL ENGINEER :**  
 C. K. WONG & ASSOCIATES LTD

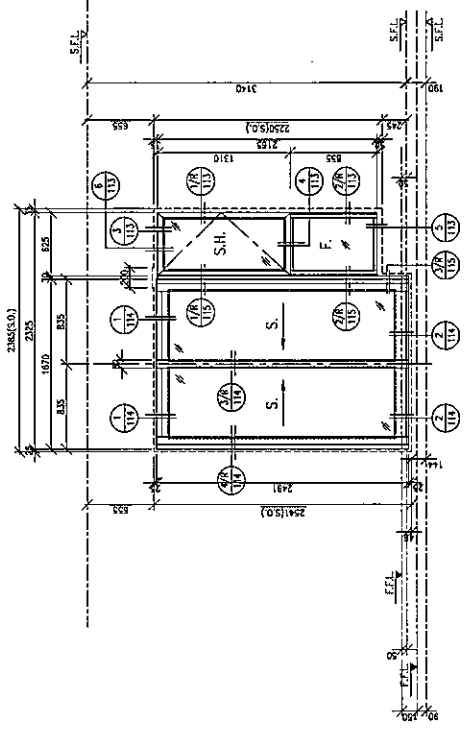
**MAIN CONTRACTOR :**  
 GRAND TECH CONSTRUCTION CO. LTD.

**美特鋁質有限公司**  
 MTDI ALUMINIUM FABRICATOR LTD.  
 Unit 8, Sunny Industrial Centre, 1/F  
 842, Sheung Shui Road, Sheung Shui  
 P.O. Box 217, Tai Po, N.T. H.K.

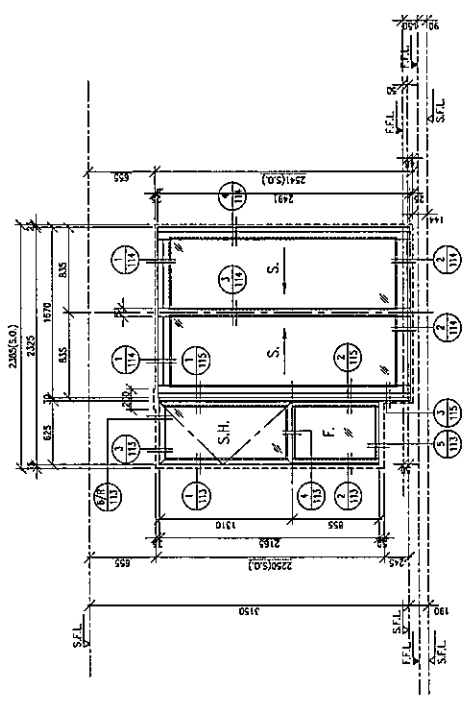
**PROJECT :**  
 RESIDENTIAL DEVELOPMENT AT  
 TSING YI TOWN LOT 190 SAN SHAN ROAD

**TITLE :**  
 MOCK UP - WINDOW SCHEDULE  
 FOR PRECAST FACADE IN-SITU

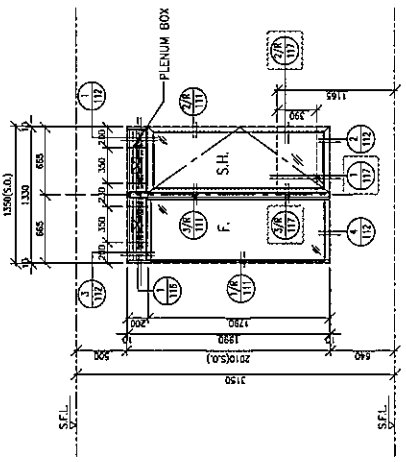
**JOB NO. :** J-851  
**DATE :** 31-10-2019  
**SCALE :** A1: 1/30  
**REV. :** A



TYPE	W1 TI / 2 nos.		GL02	FRAME	AL11
	GLAZING	GL02	FRAME	AL11	REMARK



TYPE	W2 TI / 2 nos.		GL02	FRAME	AL11
	GLAZING	GL02	FRAME	AL11	REMARK



TYPE	W3 TI / 2 nos.		GL02	FRAME	AL11
	GLAZING	GL02	FRAME	AL11	REMARK

B.D. REF :  
 F.S.D. REF :  
 Note:  
 1. All dimensions are in mm.  
 2. All elevations are shown from outside.  
 3. All elevations to be verified on site before fabrication.

GENERAL NOTES  
 MATERIAL:  
 1. F.F.L. - Finished Floor Level  
 2. S.F.L. - Structure Floor Level  
 3. I.L. - Internal Lintel  
 (X1) - DETAIL MARK NO.  
 (X01) - REPR. SHEET NO.

NO.	DATE	GENERAL REVISION	BY

CLIENT : 佳明集團控股有限公司  
 GRAND MING GROUP HOLDINGS LIMITED  
 ARCHITECT : WONG TUNG & PARTNERS LIMITED  
 ARCHITECTS & PLANNERS

STRUCTURAL ENGINEER :  
 C M WONG & ASSOCIATES LTD

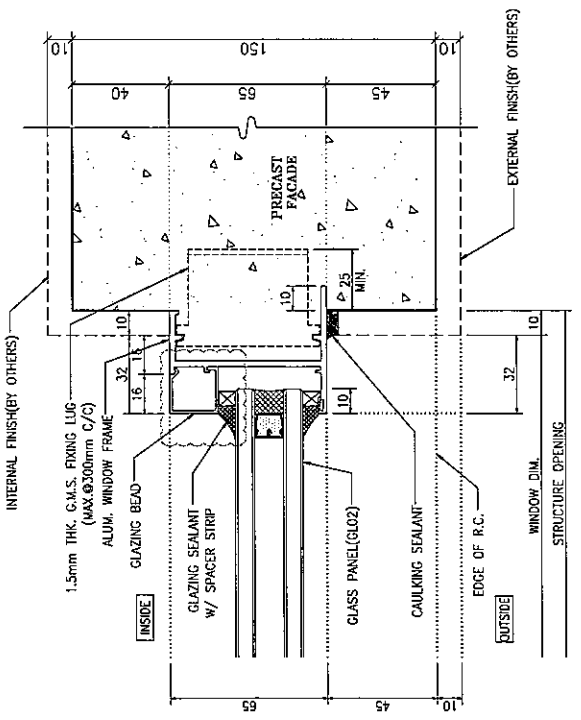
MAIN CONTRACTOR :  
 GRAND TECH CONSTRUCTION CO. LTD.

美特銘實業有限公司  
 MTIDI LIMITED  
 Unit 6 & 7, Sunny Industrial Centre, 7/F  
 142, Shun Hei Street, Tsim Sha Tsui  
 Tel: 27272831-4 Fax: 27272836

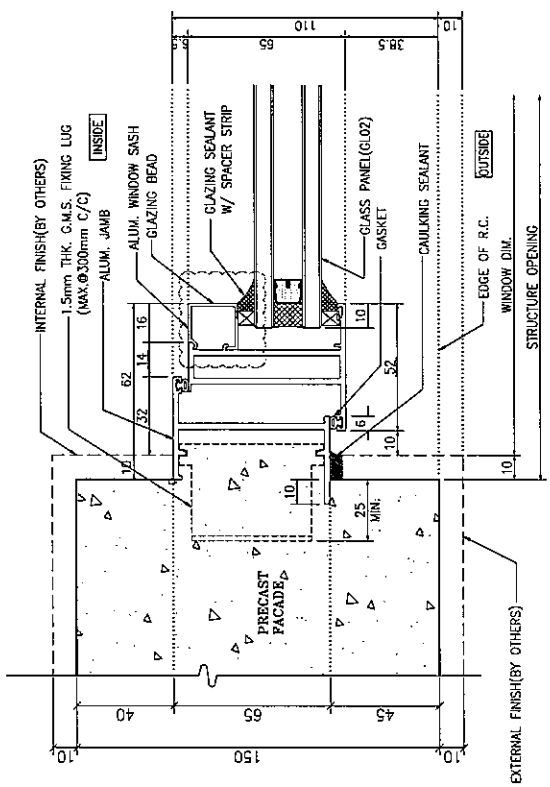
PROJECT :  
 RESIDENTIAL DEVELOPMENT AT  
 TSING YI TOWN LOT 190 SA SHAN ROAD

TITLE :  
 MUCK UP - TYPICAL DETAIL FOR  
 ALUM. WINDOW

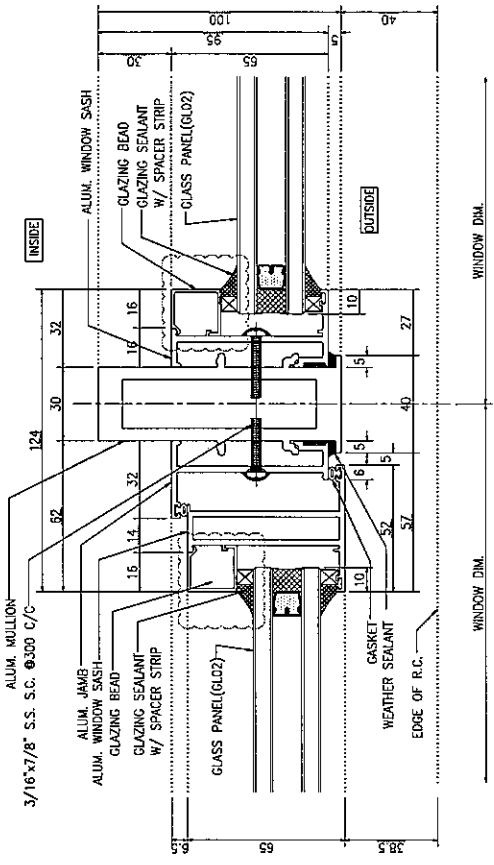
JOB NO. : J-851  
 DRAWN BY : C.H.P. DATE : 31-10-2019  
 CHKD BY : SCALE : A1 : 1:2  
 DWG. NO. : JB51-WU111 REV. : A



1 HORIZONTAL DETAIL  
 111 Fixed Window



2 HORIZONTAL DETAIL  
 111 Openable Window



3 HORIZONTAL DETAIL  
 111 Mullion Of Fixed Window  
 And Openable Window



**B.D. REF :**

**F.S.D. REF :**

**REMARK :**

1. All dimensions are in mm.
2. All dimensions are stated from outside.
3. All dimensions to be verified on site before fabrication.

**GENERAL NOTES**

**LEGEND :**

1. FFL - Finished Floor Level
2. SFL - Structural Floor Level
3. TFL - Topped Detail

**DETAIL MARK NO.**

**REF. SHEET NO.**

NO.	DATE	REVISION
1	2011.11.18	General Revision
2		REVISED
3		BY

**CLIENT :** 佳明集團控股有限公司  
GRAND TERN HOLDINGS LIMITED

**ARCHITECT :** HOPE TANG & PARTNERS LIMITED  
ARCHITECTS & PLANNERS

**STRUCTURAL ENGINEER :** C. M. WONG & ASSOCIATES LTD

**MAIN CONTRACTOR :** GRAND TERN CONSTRUCTION CO. LTD.

**PROJECT :** 美特鋁質有限公司  
MIDI Aluminium Fabricator Ltd.  
Unit 8 & 9, Sunny Industrial Centre, 1/F  
H23, 28/27-1, Tseung Kwan O Road, TSKO

**PRODUCT :** RESIDENTIAL DEVELOPMENT AT  
TSING YI TOWN LOT 190 SA SHAN ROAD

**TITLE :** MOCK UP - TYPICAL DETAIL FOR  
ALUM. WINDOW

**JOB NO. :** J-851

**DRAWN BY :** C.H.P.

**DATE :** 31-10-2019

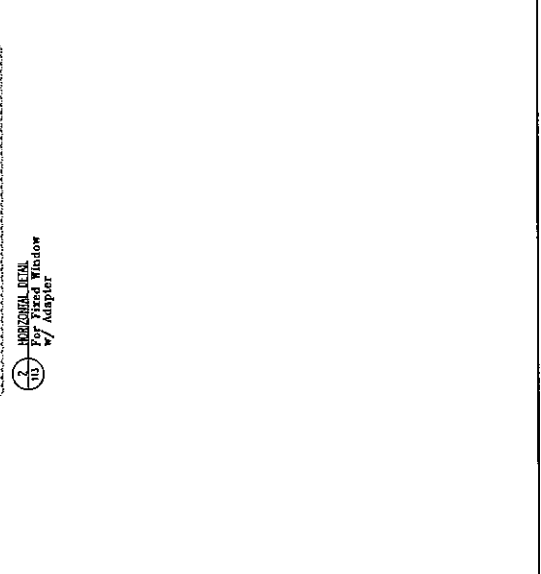
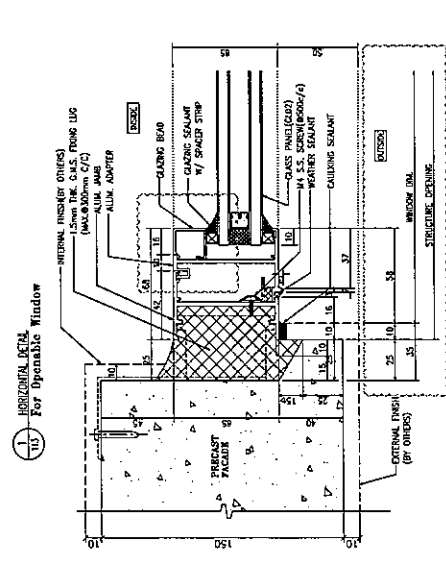
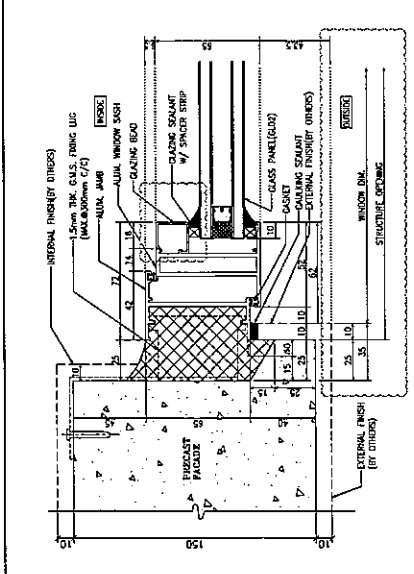
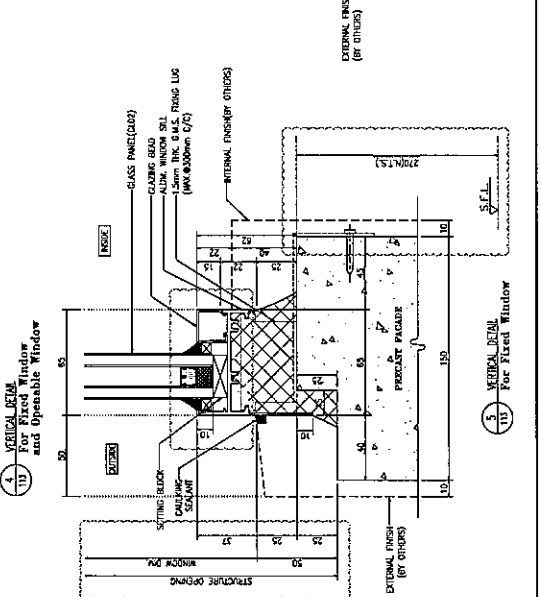
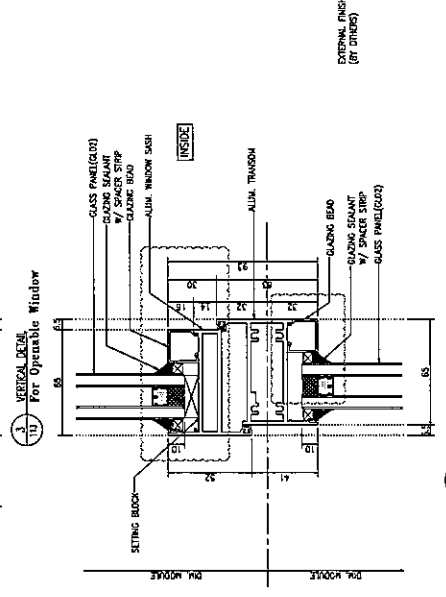
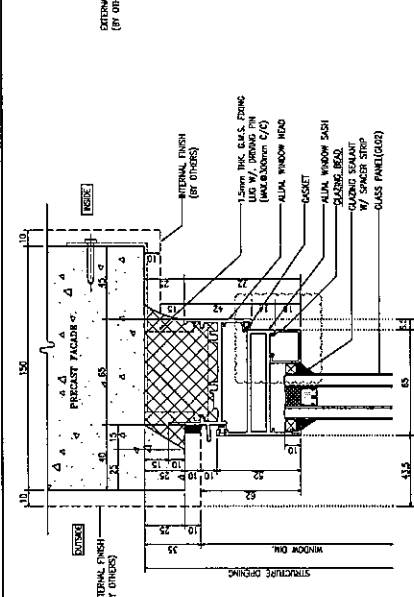
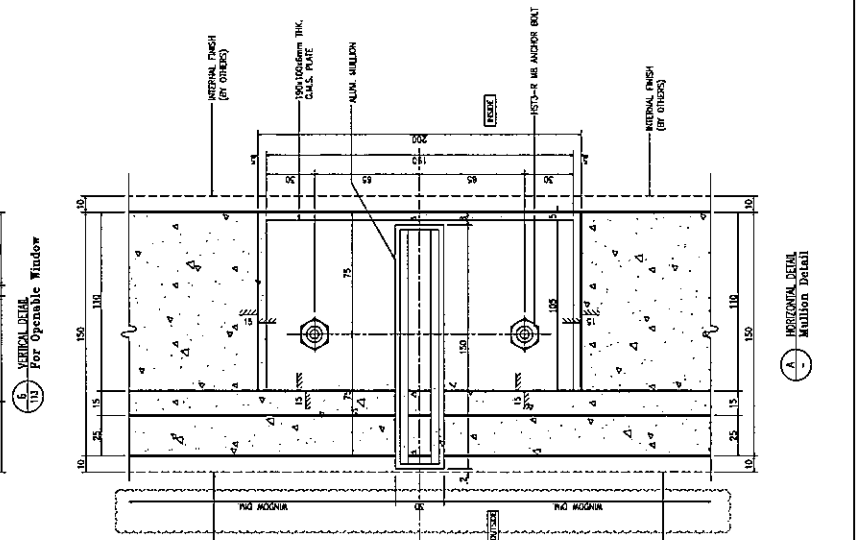
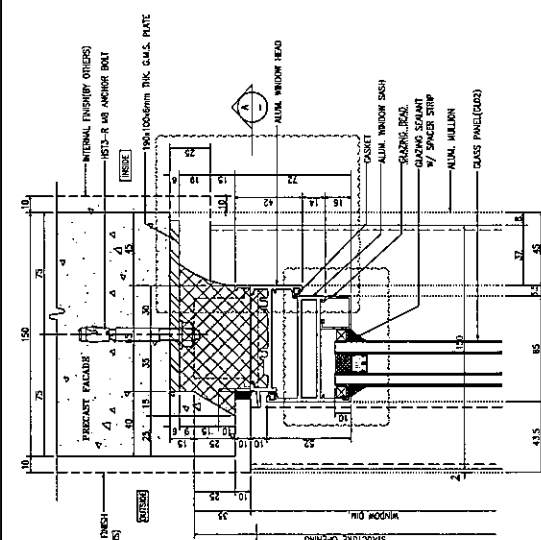
**SCALE :** A1: 1:3

**CHKD BY :**

**DATE :**

**DOC. NO. :** J851-MU-113

**REV. :** A





B.D. REF :  
 F.S.D. REF :  
 Note :  
 1. All dimensions are in mm.  
 2. All elevations are viewed from outside.  
 3. All dimensions to be verified on site before fabrication.

GENERAL NOTES  
 MATERIALS:  
 1. F.F.L. — Finish Floor Level  
 2. F.F.S. — Structural Floor Level  
 3. F.F. — Finished F.F.L.  
 4. (X) — DETAIL MARK NO.  
 5. (100) — REFER SHEET NO.

NO.	DATE	REVISION
1.	2018.11.18	General Revision
2.		
3.		
4.		
5.		

CLIENT : 佳明集團控股有限公司  
 GRAND MING GROUP HOLDINGS LIMITED

ARCHITECT : WONG TUNG & PARTNERS LIMITED  
 ARCHITECTS & PLANNERS

STRUCTURAL ENGINEER :  
 C M WONG & ASSOCIATES LTD

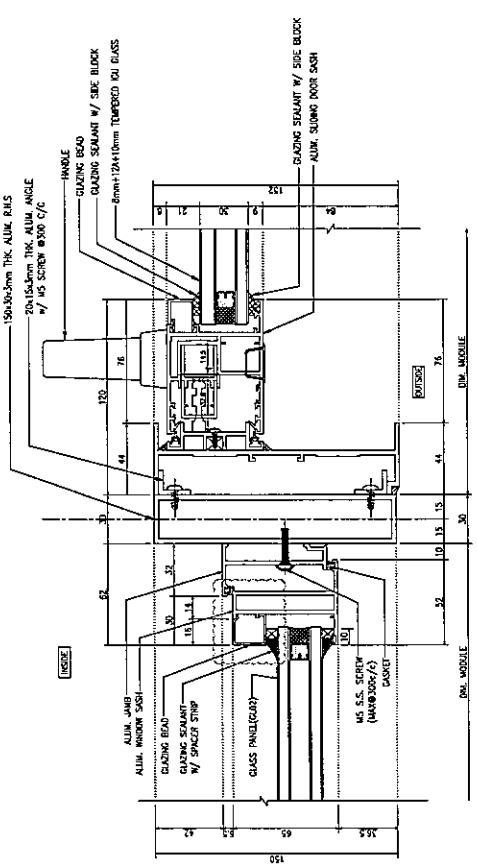
MAIN CONTRACTOR :  
 GRAND TECH CONSTRUCTION CO. LTD.

美特鋁質有限公司  
 MITTI Aluminium Fabricator Ltd.  
 Unit 8-9, Sunny Industrial Centre, 1/F  
 7-12, Hoi Yee Street, Tseung Kwan O, N.T.  
 Tel: 27231821-1 Fax: 27231726-6

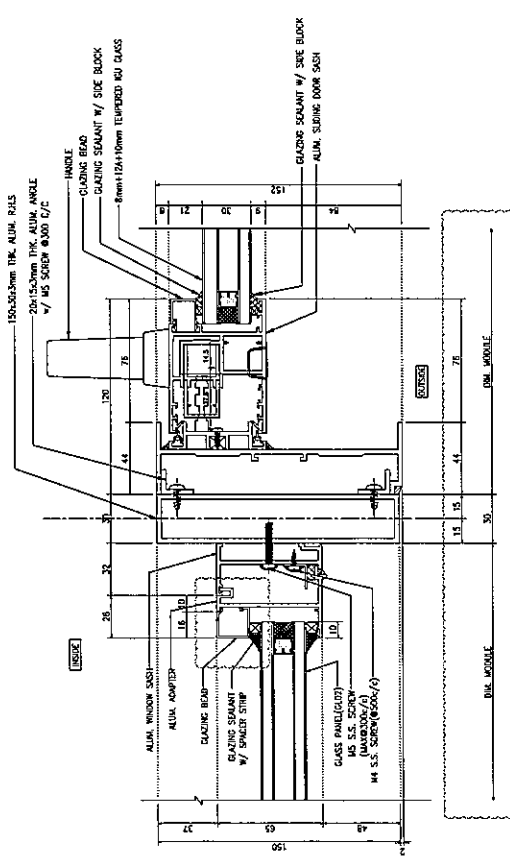
PROJECT :  
 RESIDENTIAL DEVELOPMENT AT  
 TSING YI TOWN LOT 18X SAN SHAN ROAD

TITLE :  
 MOCK UP - TYPICAL DETAIL FOR  
 SLIDING DOOR

JOB NO. : J-851  
 DRAWN BY : C.H.P.  
 CHECK BY :  
 DATE : 31-10-2019  
 SCALE : A1  
 DWG. NO. : J851-JUL-115  
 REV. : A



1. TYPICAL DETAIL FOR SLIDING DOOR AND OPERABLE WINDOW (115)



2. TYPICAL DETAIL FOR SLIDING DOOR AND FIXED WINDOW (115)

3. TYPICAL DETAIL FOR ALUM. SLIDING DOOR (115)

B.D. REF :  
 F.S.D. REF :  
 Note :  
 1. All dimensions are in mm.  
 2. All elevations are viewed from outside.  
 3. All dimensions to be verified on site before fabrication.

GENERAL NOTES  
 MATERIAL :  
 1. F.F.L. — Finished Floor Level  
 2. S.F.L. — Structure Floor Level  
 3. I.F.L. — Internal Finish  
 (X1) — DETAIL MARK NO.  
 (X001) — REFER SHEET NO.

NO.	DATE	REVISION	BY
1.	2012.11.10	General Revision	

CLIENT :  
 佳明集團控股有限公司  
 GRAND TRIP GROUP HOLDINGS LIMITED

ARCHITECT :  
 HOCK TANG & PARTNERS LIMITED  
 ARCHITECTS & PLANNERS

STRUCTURAL ENGINEER :  
 C. K. WONG & ASSOCIATES LTD

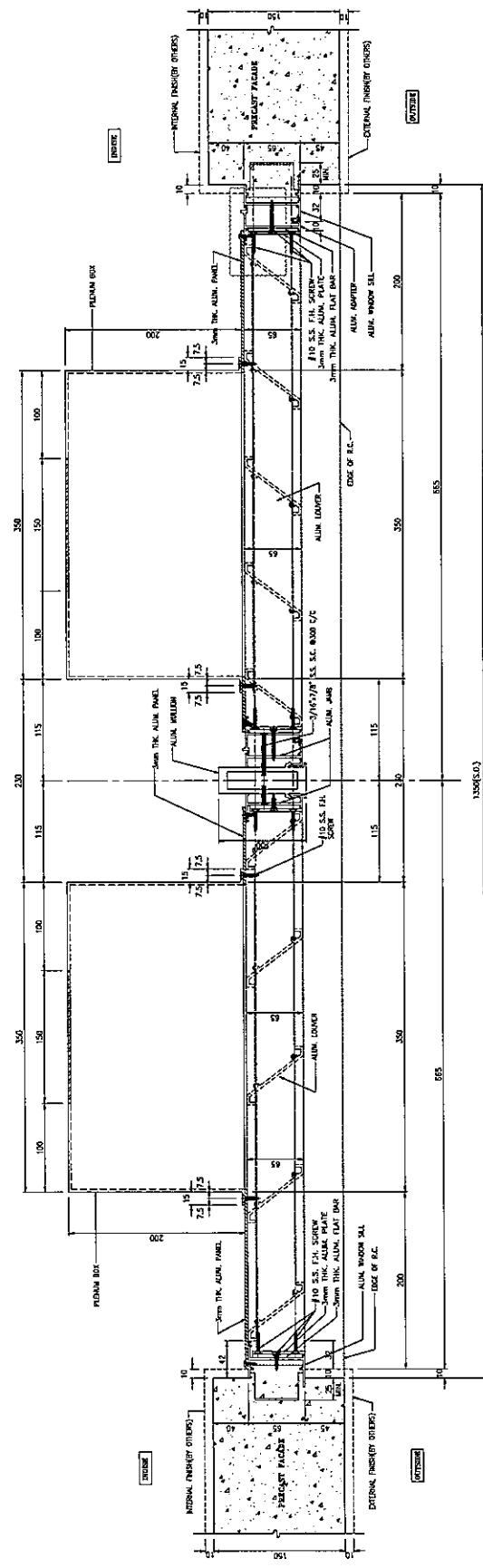
MAIN CONTRACTOR :  
 GRAND TECH CONSTRUCTION CO. LTD.

美特銘實業有限公司  
 MTDI Aluminium Fabricator Ltd.  
 Unit 6-8, Sunny Industrial Centre, 1/F  
 142, 148 & 151, Telok Ayer St, Singapore 068977

PROJECT :  
 RESIDENTIAL DEVELOPMENT AT  
 TSING YI TOWN LOT 190 SUN SHAN ROAD

TITLE :  
 MOCK UP — TYPICAL DETAIL FOR  
 ALUM. LOUVER

JOB NO. : J-851  
 DRAWN BY : C.H.P.  
 CHECK BY :  
 DATE : 31-10-2019  
 SCALE : A1 : 1/3  
 DWG. NO. : JB51-ML-116  
 REV. : A



1  
 TYPICAL DETAIL  
 116 FOR ALUM. LOUVER

G.D. REF :  
 F.S.D. REF :  
 Scale :  
 1. All dimensions are in mm.  
 2. All elevations are viewed from outside.  
 3. All dimensions to be verified on site before fabrication.

**GENERAL NOTES**  
**Legend:**  
 1. FFL - Finished Floor Level  
 2. SFL - Structural Floor Level  
 3. AL - Aligned Level  
 4. (X) - Detail Mark No.  
 5. (100) - Reprint Sheet No.

NO.	DATE	REVISED	BY

**CLIENT :**  
 佳明集團控股有限公司  
 CHEUNG KING GROUP HOLDINGS LIMITED

**ARCHITECT :**  
 WONG TUNG & PARTNERS LIMITED  
 ARCHITECTS & ENGINEERS

**STRUCTURAL ENGINEER :**  
 C M WONG & ASSOCIATES LTD

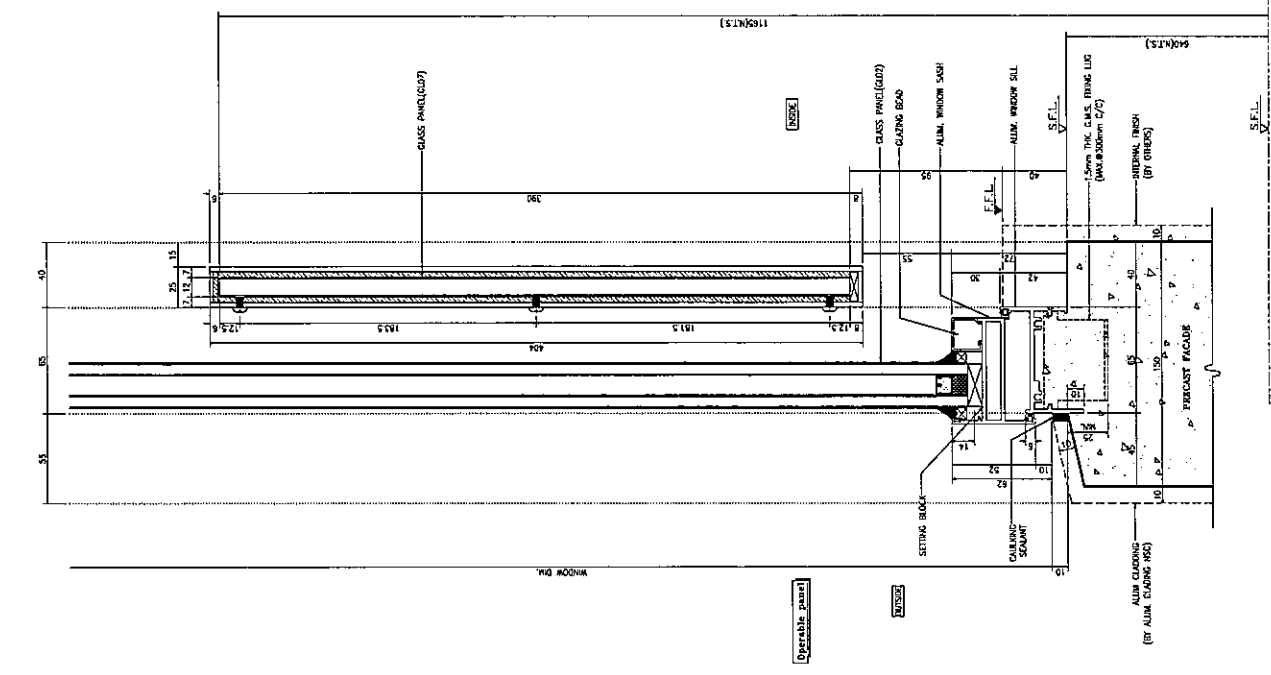
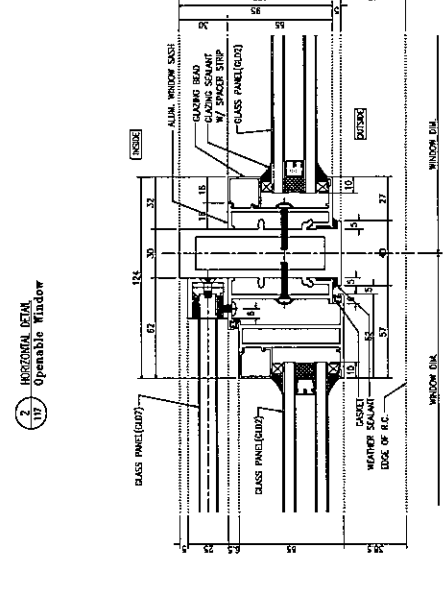
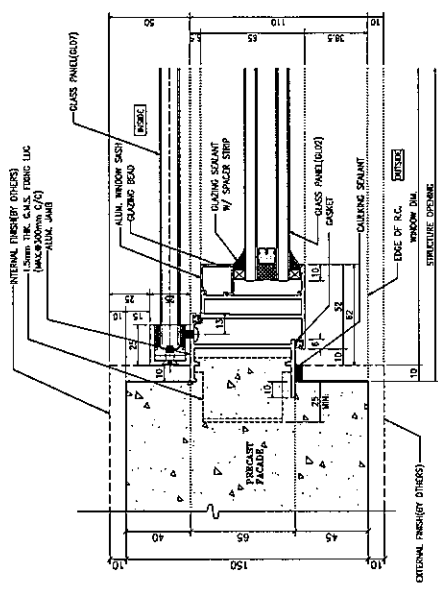
**MAIN CONTRACTOR :**  
 GRAND TECH CONSTRUCTION CO. LTD.

**美特鋁質有限公司**  
 MITDI Aluminium Fabricator Ltd.  
 Units 6-8, Sunny Industrial Centre, 1/F  
 10, Sunny Industrial Estate, Sunny Bay  
 Tel: 24288211-4 Fax: (852) 27278665

**PROJECT :**  
 RESIDENTIAL DEVELOPMENT AT  
 TSING YI TOWN LOT 190 SAN SHAN ROAD

**TITLE :**  
 MOCK UP - TYPICAL DETAIL FOR  
 ALUM. WINDOW


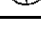
**JOB NO. :** J-851  
**DRAWN BY :** C.H.P.  
**DATE :** 31-10-2019  
**CHKD BY :** SCALE: A1  
**AW:** A3  
**DATE:** 13  
**REV. :** -



**(12) Vertical Detail For Operable Window**

B.D. REF :  
 F.S.D. REF :  
 Note :  
 1. All dimensions are in mm.  
 2. All elevations are shown from outside.  
 3. All elevations to be verified on site before fabrication.


GENERAL NOTES

- Legend :  
 1. F.L.L. - Finished Floor Level  
 2. S.L.L. - Standard Floor Level  
 3. P.L.L. - Proposed Level
-  DETAIL MARK NO.  
 REFITY SHEET NO.

NO.	DATE	General Revision	BY
1	2013.11.19		

CLIENT :  
 佳明集團控股有限公司  
 GRAND BLUE GROUP HOLDINGS LIMITED

ARCHITECT :  
 WONG TUNG & PARTNERS LIMITED  
 ARCHITECTS & PLANNERS

STRUCTURAL ENGINEER :  
  
 C M WONG & ASSOCIATES LTD

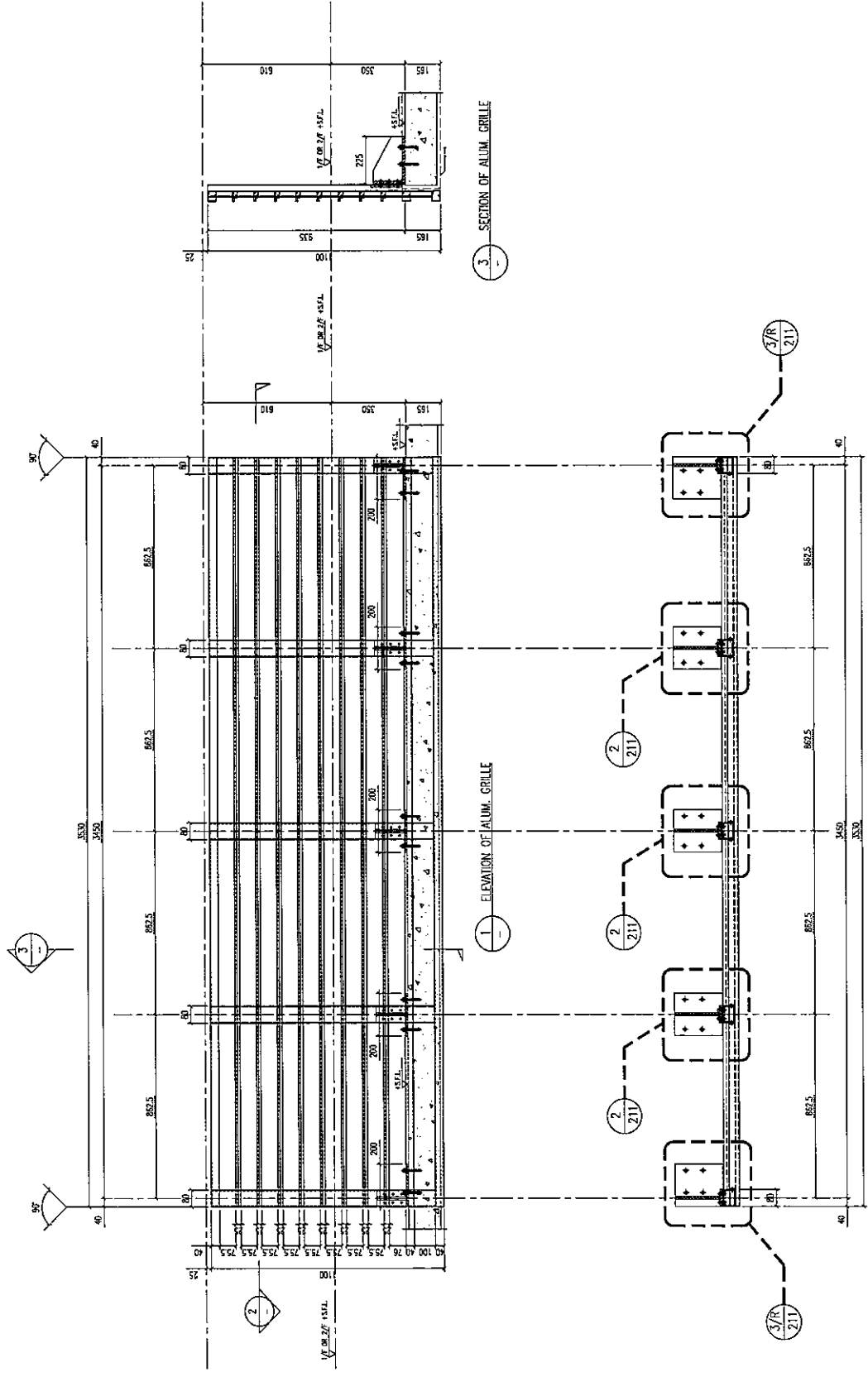
MAIN CONTRACTOR :  
 GRAND TECH CONSTRUCTION CO. LTD.

美特鋁質有限公司  
 MIDDI ALUMINIUM FABRICATORS LTD.  
 Unit 6-B, Sunny Industrial Centre, 1/F  
 142,486,211, 142,486,212, 142,486,213, 142,486,214  
 TEL: (852) 2722866

PROJECT :  
 RESIDENTIAL DEVELOPMENT AT  
 TSIANG YI TOWN LOT 199 SAI SHAN ROAD

TITLE :  
 MOCK UP - ELEVATION FOR  
 ALUM. GRILLE

JOB NO. : J-851  
 DRAWN BY : C.H.P.  
 DATE : 31-10-2019  
 CHECK BY :  
 SCALE : A1 : 1/30  
 DATE : 0851-A11-201  
 REV. : A



1 - ELEVATION OF ALUM. GRILLE

3 - SECTION OF ALUM. GRILLE

1 - PLAN OF ALUM. GRILLE

B.A. REF. :  
 F.S.D. REF. :  
 Note :  
 1. All dimensions are in mm.  
 2. All elevations are raised from outside.  
 3. All elevations to be verified on site before fabrication.

GENERAL NOTES  
 Legend :  
 1. PFL - Polished Floor Level  
 2. SFL - Saturated Floor Level  
 3. RL - Revised Level  
 4. X1 - DETAIL MARK NO.  
 X00 - REFER SHEET NO.

NO.	DATE	REVISED	BY

CLIENT :  
**佳明集團控股有限公司**  
 CHEUNG MING GROUP HOLDINGS LIMITED

ARCHITECT :  
**WONG TUNG & PARTNERS LIMITED**  
 ARCHITECTS & PLANNERS

STRUCTURAL ENGINEER :  
**C M WONG & ASSOCIATES LTD.**

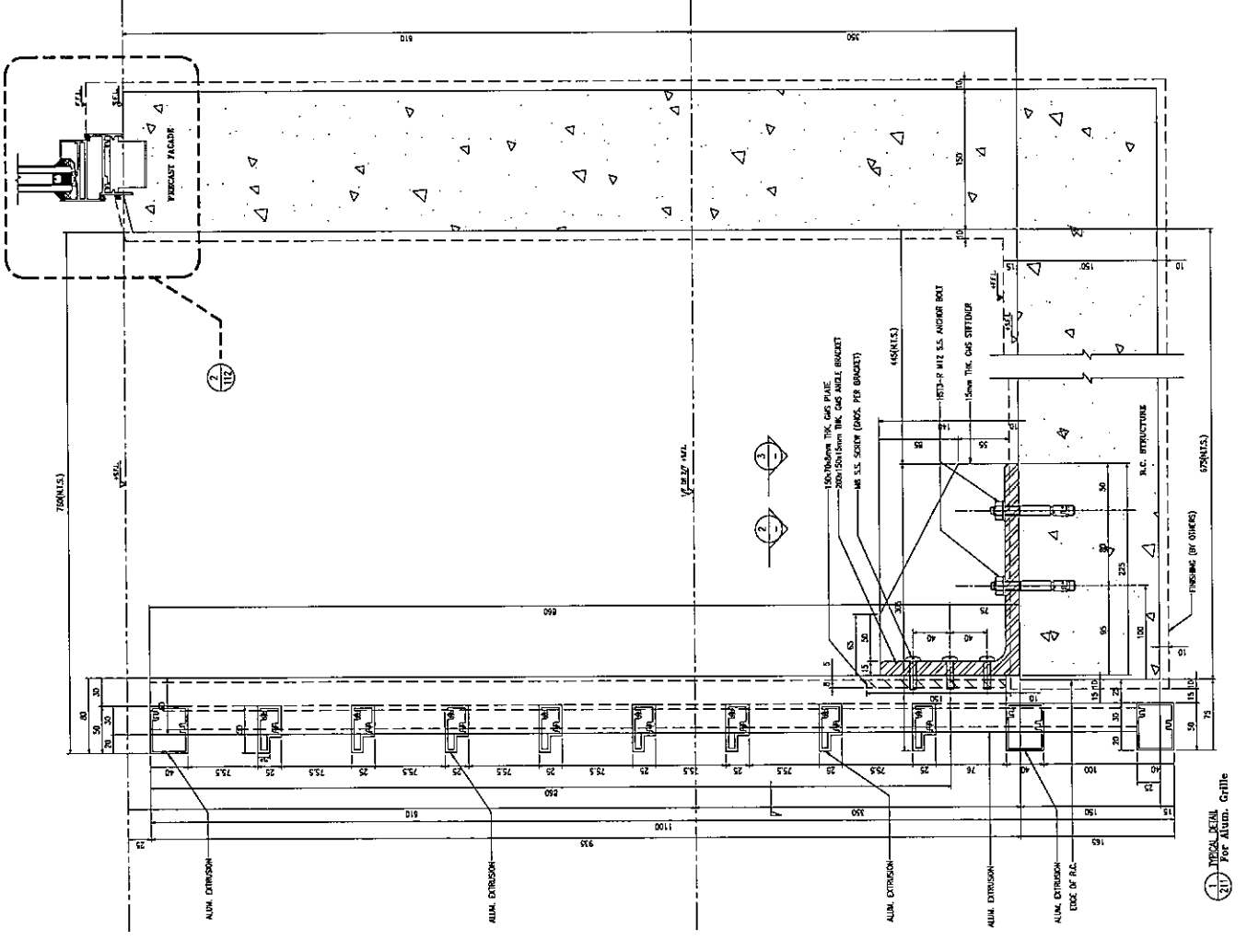
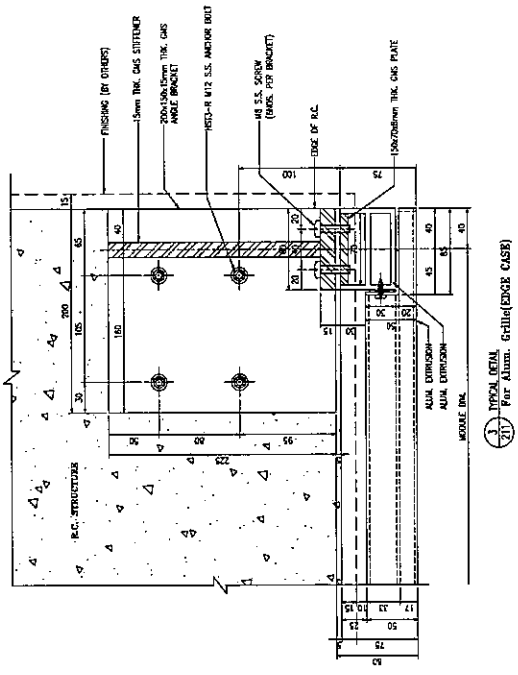
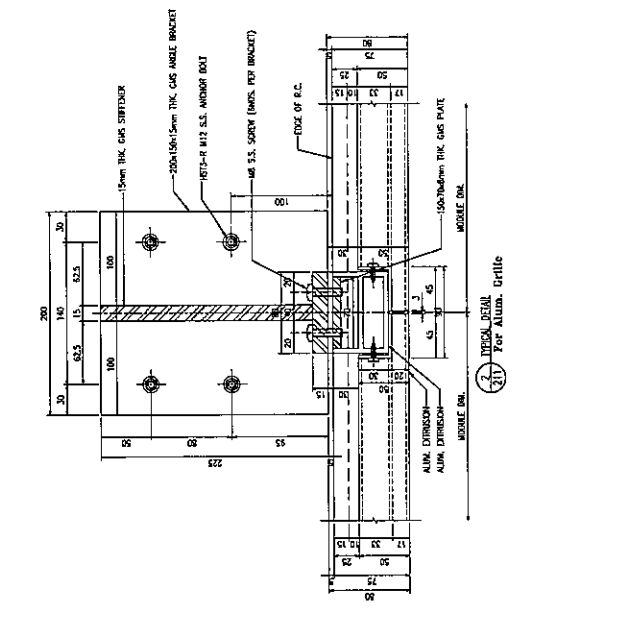
MAIN CONTRACTOR :  
**GRAND TECH CONSTRUCTION CO. LTD.**

**美特鋁質有限公司**  
 MILDY Aluminium Fabrication Ltd.  
 Unit 6-8, Sunny Industrial Centre, 1/F  
 412, HONG KONG ROAD, TAI WAI  
 TEL: 27271111 - 12 FAX: 27271666

PROJECT :  
 RESIDENTIAL DEVELOPMENT AT  
 TSING YI TOWN LOT 194 5th SHAN ROAD

TITLE :  
 MOCK UP - TYPICAL DETAIL FOR  
 ALUM. GRILLE

JOB NO. : J-851  
 DRAWN BY : C.H.P.  
 DATE : 31-10-2019  
 CHECK BY :  
 SCALE : A1 : 1:5  
 DWG. NO. : JB51-MUJ211  
 REV. : -



D.O. REF :  
 F.S.D. REF :  
 Note :  
 1. All dimensions are in mm.  
 2. All dimensions are taken from outside, before fabrication.  
 3. All dimensions to be verified on site.

GENERAL NOTES  
 Legend :  
 1. F.F.I. — Finished Floor Level  
 2. S.F.L. — Structural Floor Level  
 3. A.F.L. — Average Sea Level  
 4. (X) — DETAIL MARK NO.  
 5. (100) — REFER SHEET NO.

NO.	DATE	REVISION	BY

CLIENT : 佳明集團控股有限公司  
 GRAND HING GROUP HOLDINGS LIMITED

ARCHITECT : WONG TUNG & PARTNERS LIMITED  
 ARCHITECTS & PLANNERS

STRUCTURAL ENGINEER :  
 C M WONG & ASSOCIATES LTD

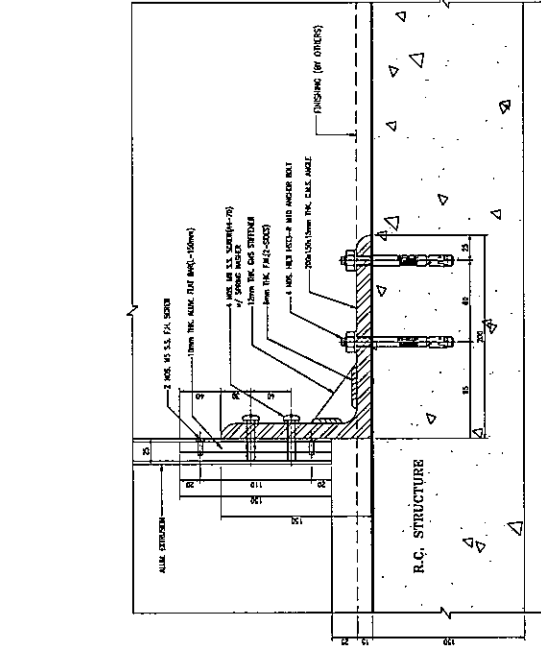
MAIN CONTRACTOR :  
 GRAND TECH CONSTRUCTION CO. LTD.

美特鋁質有限公司  
 MITDI Aluminium Fabricator Ltd.  
 Unit 6-9, Sunny Industrial Centre, 1/F  
 100, Shun Hei Street, Tuen Mun  
 T.S. 24388211-4 Fax: (852) 27727668

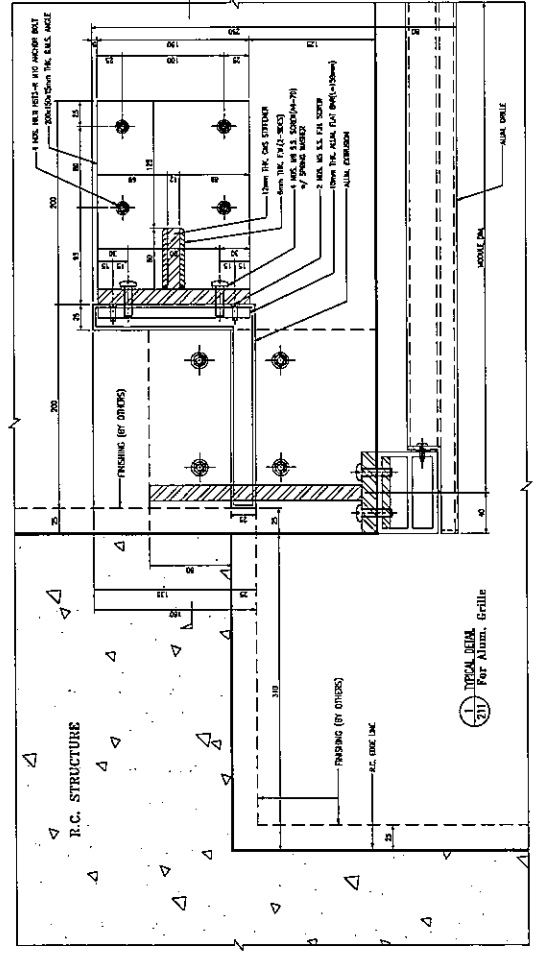
PROJECT :  
 RESIDENTIAL DEVELOPMENT AT  
 TSING YI TOWN LOT 186 SAN SHAN ROAD

TITLE :  
 MOCK UP — TYPICAL DETAIL FOR  
 ALUM. GRILLE

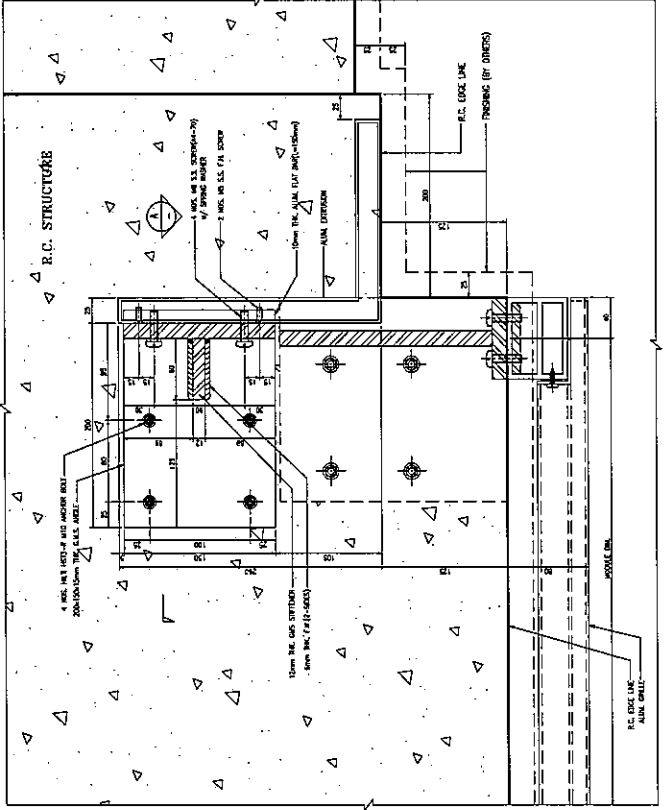
JOB NO. : J-051  
 DRAWN BY : C.H.P.  
 DATE : 31-10-2019  
 CHECK BY :  
 SCALE : A1:  
 A2:  
 A3:  
 DWG NO. : J051-MU-212  
 REV. : —



1. TYPICAL DETAIL For Alum. Grille



2. TYPICAL DETAIL For Alum. Grille



3. TYPICAL DETAIL For Alum. Grille

**B.D. REF :** F.S.D. REF :

**Notes :**  
 1. All dimensions are in mm.  
 2. All elevations are viewed from outside.  
 3. All dimensions to be verified on site before construction.

**GENERAL NOTES**

**Legend :**  
 1. F.F.L. --- Finished Floor Level  
 2. S.F.L. --- Structural Floor Level  
 3. (X) --- Revised Detail

(X1) --- DETAIL WORK NO.  
 (X001) --- REFSY SHEET NO.

NO.	DATE	REVISED	BY

**CLIENT :** 佳明集團控股有限公司  
 GRAND MING GROUP HOLDINGS LIMITED

**ARCHITECT :** WONG TUNG & PARTNERS LIMITED  
 ARCHITECTS & PLANNERS

**STRUCTURAL ENGINEER :** C N WONG & ASSOCIATES LTD

**MAIN CONTRACTOR :** GRAND TECH CONSTRUCTION CO. LTD.

**美特鋁質有限公司**  
 MIDTI ALUMINIUM FABRICATORS LTD.  
 Units 4-6, Sunny Industrial Centre, 1/F  
 810-812, 814, 816, 818, 820, 822, 824, 826, 828, 830  
 HUI SHIP STREET, HONG KONG (TEL: 27722666)

**PROJECT :** RESIDENTIAL DEVELOPMENT AT  
 TSIING YI TOWN LOT 198 SAI SHAN ROAD

**TITLE :** MOCK UP - ELEVATION FOR  
 GLASS BALUSTRADE

**JOB NO. :** J-851

**DRAWN BY :** C.H.P. **DATE :** 31-10-2019

**CHECK BY :** **SCALE :** A1: 1/20

**DRG. NO. :** 851-MU-301 **REV. :** --

