

工程指示 / 要求簡箋(E.I.)

工程指示編號：EI10507/1P 修改版次：
 工程編號：J838 工程名稱：亞皆老街
 工程項目：鋁料加工, 鋁板摺件 廠報價
 收件人：生統 發件人：Timmy 日期：29/04/2019

要求提供 / 確認 事項：

- | | | |
|------------------------------------|--|--|
| <input type="checkbox"/> 初步鋁料 B.M. | <input type="checkbox"/> 加工拆圖, 然後生產 | <input type="checkbox"/> 尺寸表 |
| <input type="checkbox"/> 正式鋁料 B.M. | <input checked="" type="checkbox"/> 技術上資料 / 指示 | <input checked="" type="checkbox"/> 報價 |
| <input type="checkbox"/> 玻璃 B.M. | <input type="checkbox"/> 樣辦或貨品說明書 | <input type="checkbox"/> 分判合約 |
| <input type="checkbox"/> 其他：_____ | | |

內容：

附頁為是次工程鋁料加工, 鋁板摺件報價資料

請在 _____ 前完成上列要求。

附有關圖紙 / 文件：

1+26 頁

以上項目為：

- 原合約工程包 原合約工程加 / 減賬 新工程報價

原因：- _____

分發東莞各部門：

- 生產技術總監 連附件 技術部 連附件 生產部 連附件 機械設計部 連附件
 採購部 連附件 生產統籌部 連附件
 質檢部 連附件 會計部 連附件 報關組 連附件 其他 _____ 連附件

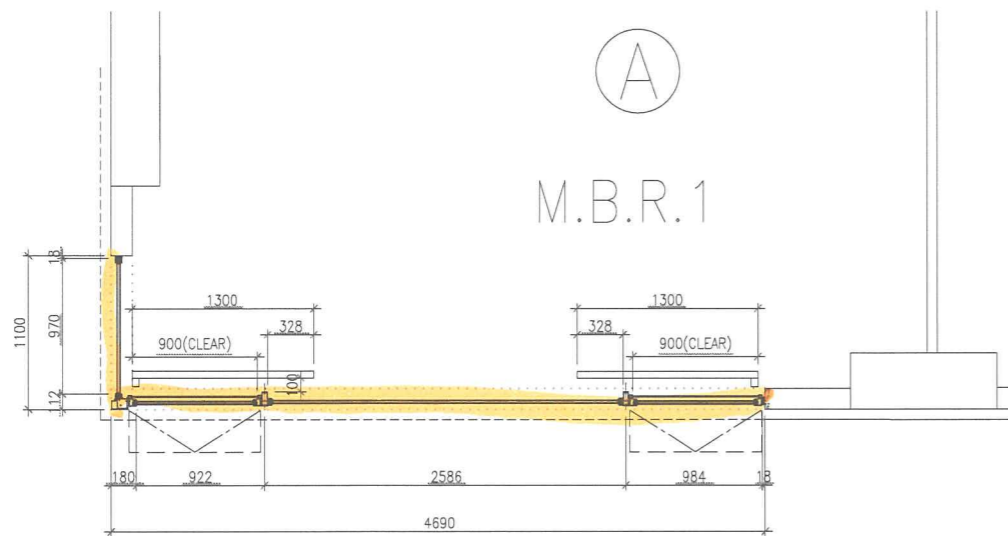
分發香港各部門：

- 行政部 連附件 會計部 連附件 統籌部 連附件 工程部地盤科文 連附件
 採購部 連附件 QS 部 連附件 維修部 連附件 其他 _____ 連附件

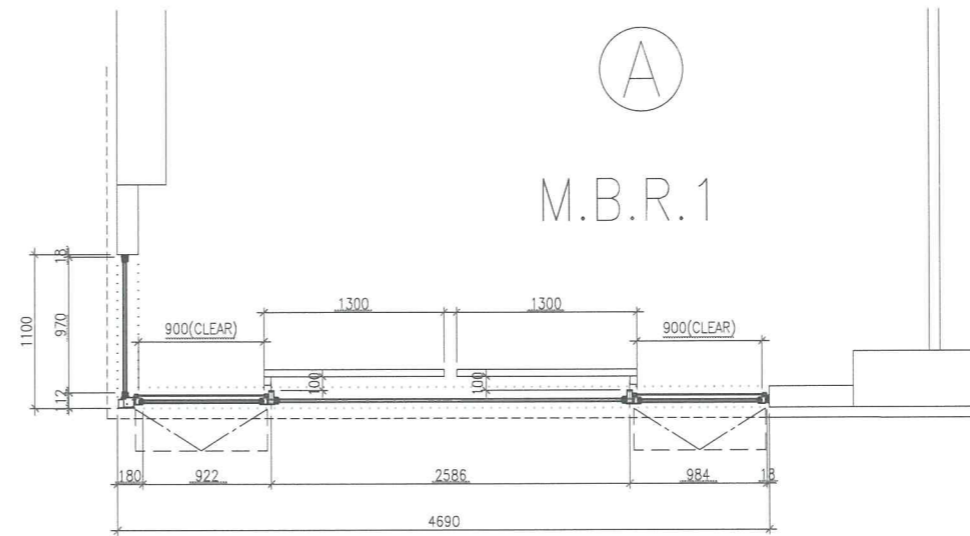
傳遞編號：HK - 0997/1P (FTP)

發件人簽署：

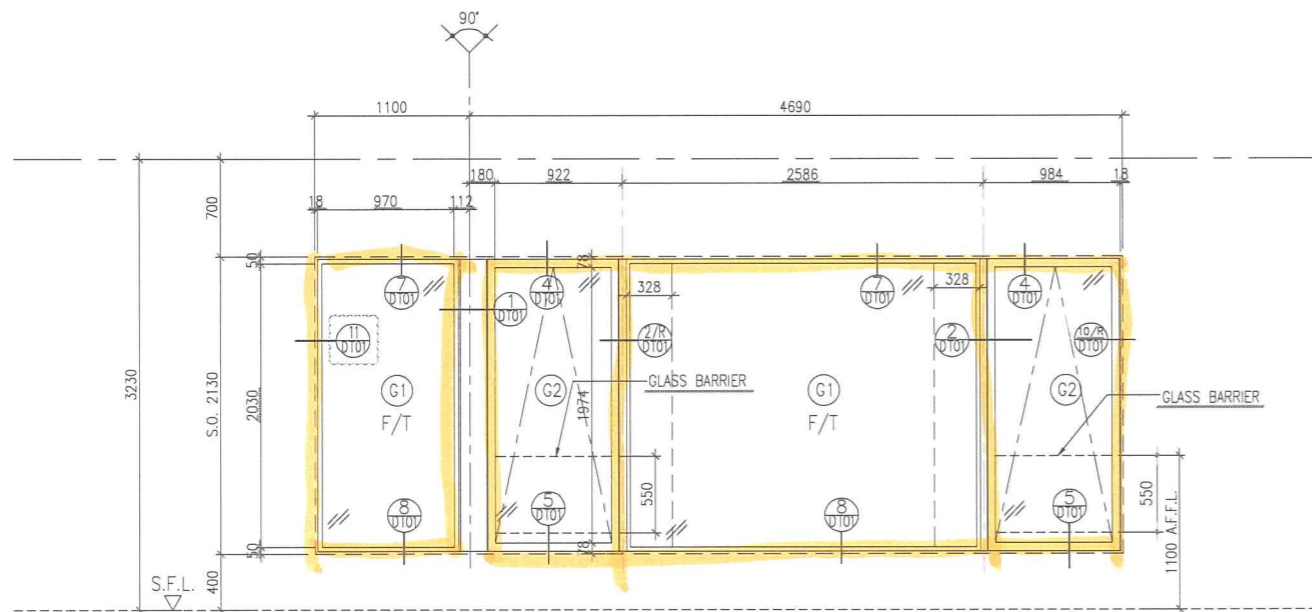
項目經理簽署：P.P.



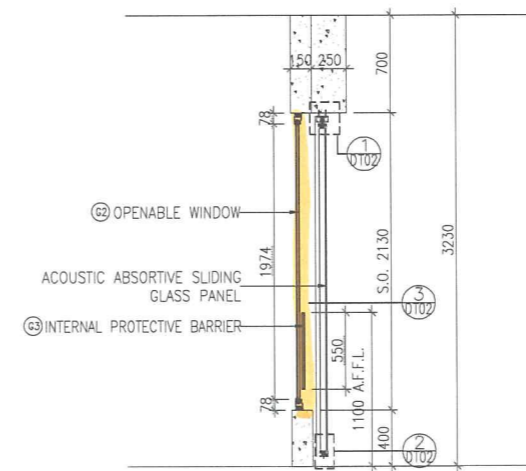
W101
PART PLAN - ACOUSTIC PANEL AT CLOSING POSITION
TYPICAL FLOOR PLAN



W101
PART PLAN - ACOUSTIC PANEL AT OPENING POSITION



W101
WINDOW ELEVATION



W101
WALL SECTION

- Notes :
- All elevations are viewed from outside
 - All aluminium window frame to be PVF2 finish
 - All relevant shop drawings should be submitted for approval.
 - Glass opening of bath room & kitchen for exhaust fan to be provided by window sub-contractor.
 - Variation of glass thickness of same glazing type within a window shall not exceed ± 2 mm, unless otherwise approved.
 - All glazing thickness indicated on drawing are min. thickness requirement, actual thickness subject to calculation.
 - Door stopper to be provided to all sliding doors.
 - Thickness of tempered glass fin at operable window subject to calculation.
 - Removable handles for multi-point lock and separate key lock to be provided for each operable windows.

- Legend :
- S.F.L. - structural floor level
 - F - fixed glass panel
 - F.A. - fixed alum. panel
 - S.O. - structure opening
 - T - tempered glass
 - L - removable handles for multi-point lock and separate key lock to be provided
 - G.A. - min. glazing area required
 - O.A. - min. openable area required
 - Top hung open outward.
 - Side hung open outward.
 - Centre pivot.
 - Handed Window

- G1 - 8mm thk. Heat Strengthened Glass + 12mm Air Space + 10mm thk. Tempered Clear Glass
- G2 - 6mm thk. Heat Strengthened Glass + 2mm Air Space + 6mm thk. Tempered Clear Glass
- G3 - 10mm thk. Tempered Clear Glass

B.D. REF :

ARCHITECT : **AGC DESIGN LTD**

STRUCTURAL ENGINEER : **ARUP**
Ove Arup & Partners Hong Kong Limited

E&M SERVICES CONSULTANT : **WONG SOUTANG BUILDING SERVICES LTD**

NOTE :

- ALL DIMENSIONS ARE IN mm.
- ALL ELEVATIONS ARE VIEWED FROM OUTSIDE.
- ALL DIMENSIONS TO BE VERIFIED ON SITE BEFORE FABRICATION.

LEGEND :

- X1 - DETAIL MARK NO.
- X001 - REFER SHEET NO.
- F.F.L. - FINISHED FLOOR LEVEL
- S.F.L. - STRUCTURAL FLOOR LEVEL
- (R) - REVERSED DETAIL

NO.	DATE	REVISION	BY
01	25/04/2019	GENERAL REVISION	
02	27/05/2019	GENERAL REVISION	
03	12/05/2019	GENERAL REVISION	

JOB NO. : J838

PROJECT : PROPOSED RESIDENTIAL DEVELOPMENT AT 139-147 ARGYLE STREET, KOWLOON INLAND LOT NOS. 6005, 6035 R.P., 6036 R.P., 6037 R.P., & 6038 R.P.

TITLE : ACOUSTIC WINDOW FOR LABORATORY TEST OF WINDOW SCHEDULE 01

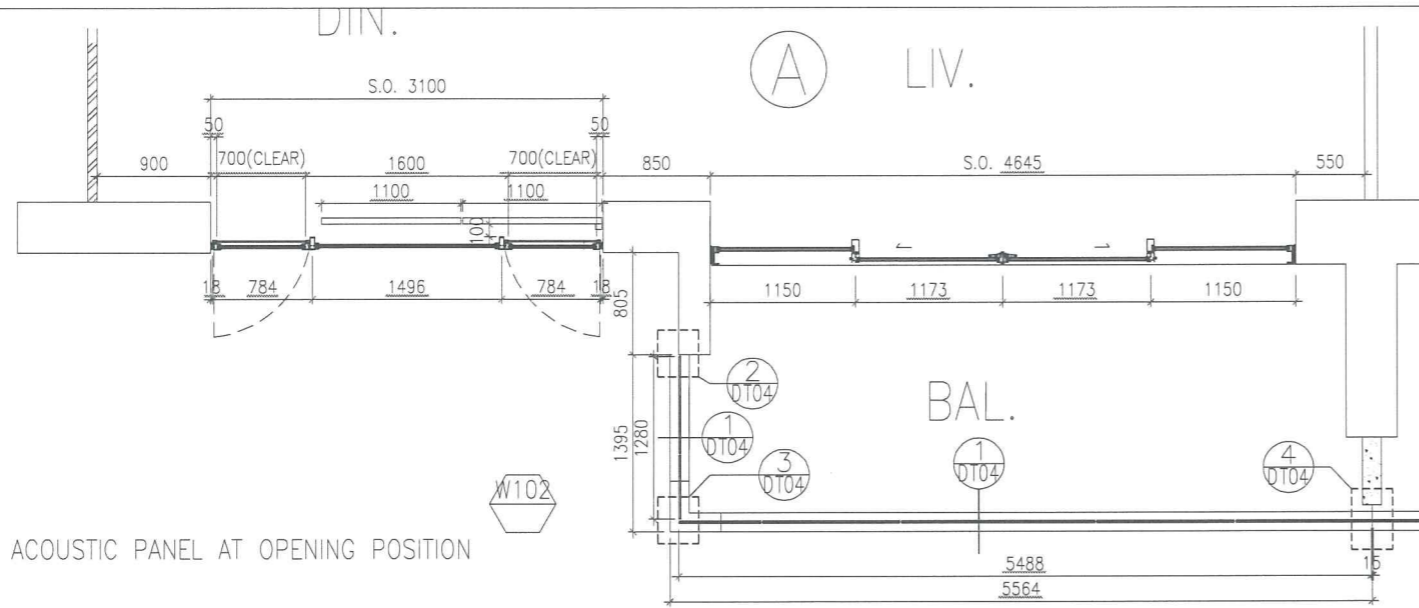
DATE : 2019-02-19 SCALE : 1 : 50

DRAWN BY : ASING CHECKED BY :

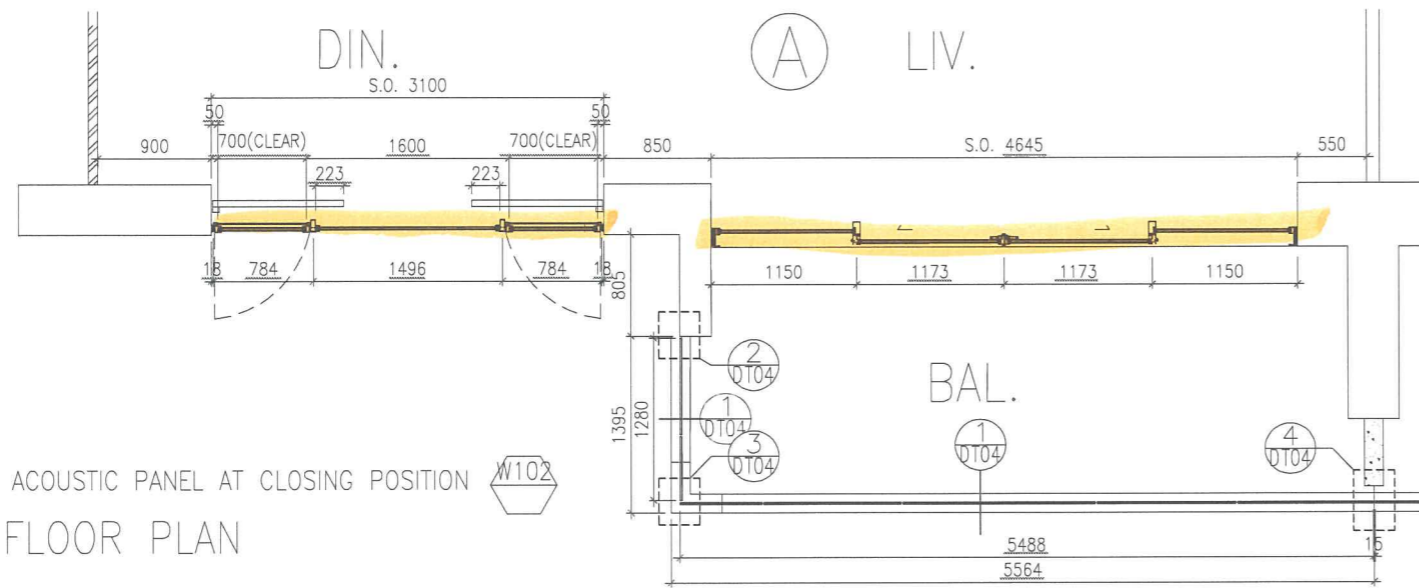
美特鋁質有限公司
MIDI ALUMINIUM FABRICATOR LTD.
Units 6-8, Sunray Industrial Centre, 1/F
610 Che Kwo Ling Road, Kowloon
Tel: 23489211-4 Fax: (852) 27727666

DWG NO. : J838-LT-WS01 REV. : 03

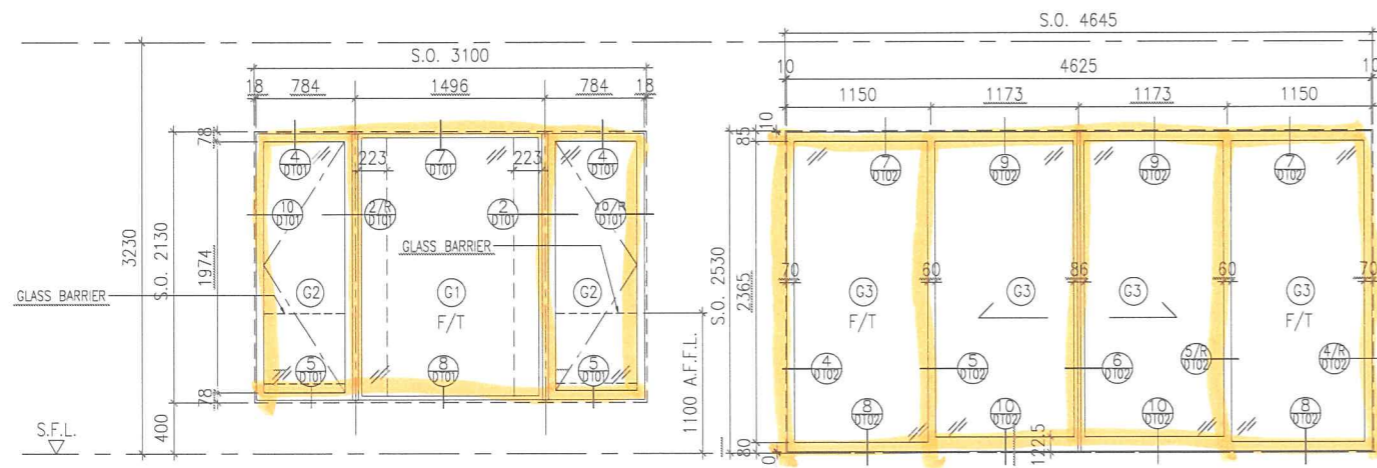
加工範圍



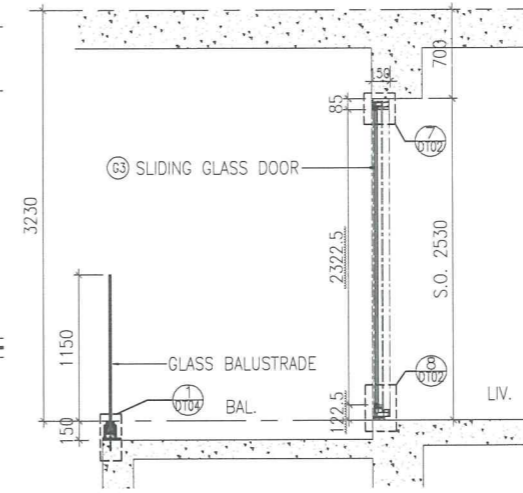
PART PLAN - ACOUSTIC PANEL AT OPENING POSITION



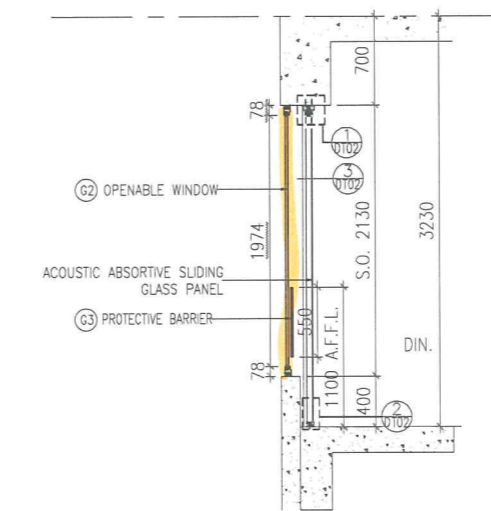
PART PLAN - ACOUSTIC PANEL AT CLOSING POSITION
TYPICAL FLOOR PLAN



WINDOW ELEVATION



WALL SECTION 2



WALL SECTION 1

Notes :

- All elevations are viewed from outside
- All aluminium window frame to be PVF2 finish
- All relevant shop drawings should be submitted for approval.
- Glass opening of bath room & kitchen for exhaust fan to be provided by window sub-contractor.
- Variation of glass thickness of same glazing type within a window shall not exceed ± 2 mm, unless otherwise approved.
- All glazing thickness indicated on drawing are min. thickness requirement, actual thickness subject to calculation.
- Door stopper to be provided to all sliding doors.
- Thickness of tempered glass fin at openable window subject to calculation.
- Removable handles for multi-point lock and separate key lock to be provided for each openable windows.

Legend :

- S.F.L. - structural floor level
- F - fixed glass panel
- F.A. - fixed alum. panel
- S.O. - structure opening
- T - tempered glass
- L - removable handles for multi-point lock and separate key lock to be provided
- G.A. - min. glazing area required
- O.A. - min. openable area required
- ∧ - top hung open outward.
- < - side hung open outward.
- ◇ - centre pivot.
- W/H - Handed Window

- G1 - 8mm thk. Heat Strengthened Glass + 12mm Air Space + 10mm thk. Tempered Clear Glass
- G2 - 6mm thk. Heat Strengthened Glass + 12mm Air Space + 6mm thk. Tempered Clear Glass
- G3 - 10mm thk. Tempered Clear Glass

B.D. REF :

ARCHITECT : **AGC DESIGN LTD**

STRUCTURAL ENGINEER : **ARUP**
Ove Arup & Partners Hong Kong Limited

E&M SERVICES CONSULTANT : **WONG & OUTANG BUILDING SERVICES LTD**

NOTE :

- ALL DIMENSIONS ARE IN mm.
- ALL ELEVATIONS ARE VIEWED FROM OUTSIDE.
- ALL DIMENSIONS TO BE VERIFIED ON SITE BEFORE FABRICATION.

LEGEND :

- X1 - DETAIL MARK NO.
- X001 - REFER SHEET NO.
- 1. F.F.L. - FINISHED FLOOR LEVEL
- 2. S.F.L. - STRUCTURAL FLOOR LEVEL
- 3. (R) - REVERSED DETAIL

NO.	DATE	GENERAL REVISION	REVISED	BY
03	25/04/2019	GENERAL REVISION		
02	27/03/2019	GENERAL REVISION		
01	12/03/2019	GENERAL REVISION		

JOB NO. : J838
PROJECT : PROPOSED RESIDENTIAL DEVELOPMENT AT 139-147 ARGYLE STREET, KOWLOON INLAND LOT NOS. 6005, 6035 R.P., 6036 R.P., 6037 R.P., & 6038 R.P.

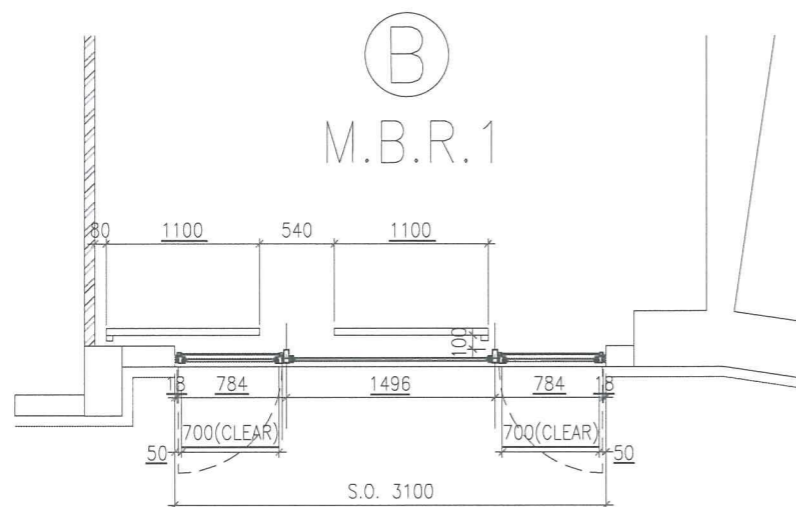
TITLE : ACOUSTIC WINDOW FOR LABORATORY TEST OF WINDOW SCHEDULE 02

DATE : 2019-02-19 SCALE : 1 : 50

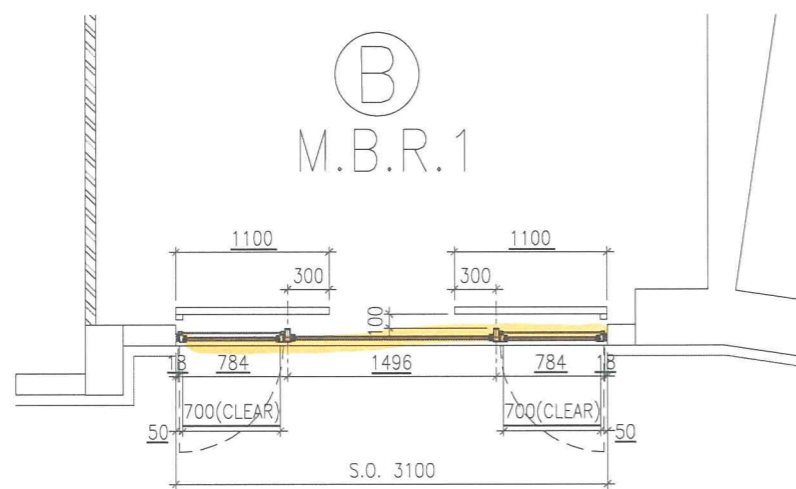
DRAWN BY : ASING CHECKED BY :

美特鋁質有限公司
MIDI ALUMINIUM FABRICATOR LTD.
Units 6-8, Sunray Industrial Centre, 1/F
610 Che Kwo Ling Road, Kowloon
Tel: 23489211-4 Fax: (852) 27727666

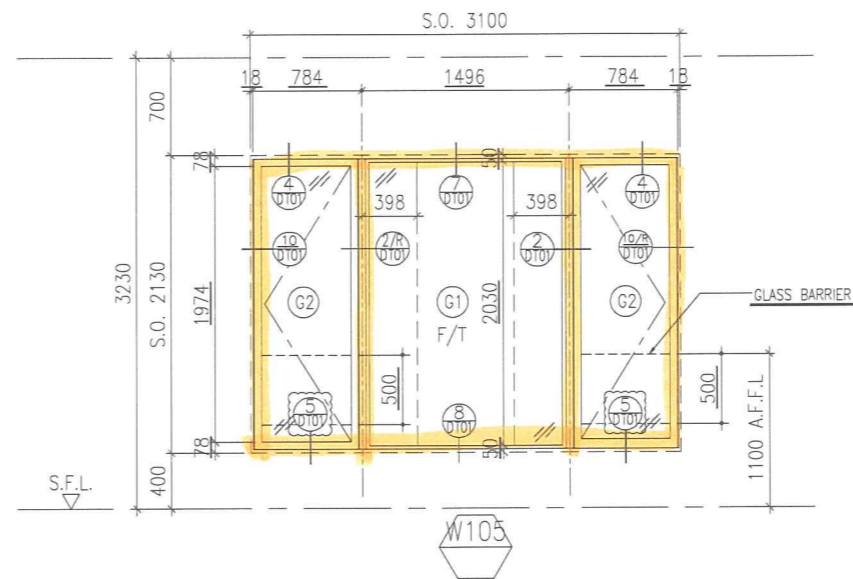
DWG NO. : J838-LT-WS02 REV. : 03



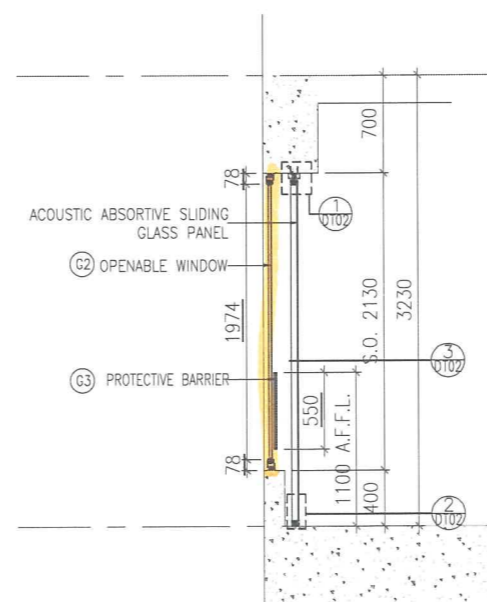
PART PLAN - ACOUSTIC PANEL AT OPENING POSITION



PART PLAN - ACOUSTIC PANEL AT CLOSING POSITION
TOWER 1 - TYPICAL FLOOR PLAN



WINDOW ELEVATION



WALL SECTION

Notes :

- All elevations are viewed from outside
- All aluminium window frame to be PVF2 finish
- All relevant shop drawings should be submitted for approval.
- Glass opening of bath room & kitchen for exhaust fan to be provided by window sub-contractor.
- Variation of glass thickness of same glazing type within a window shall not exceed ± 2 mm, unless otherwise approved.
- All glazing thickness indicated on drawing are min. thickness requirement, actual thickness subject to calculation.
- Door stopper to be provided to all sliding doors.
- Thickness of tempered glass fin at openable window subject to calculation.
- Removable handles for multi-point lock and separate key lock to be provided for each openable windows.

Legend :

- S.F.L. - structural floor level
- F - fixed glass panel
- F.A. - fixed alum. panel
- S.O. - structure opening
- T - tempered glass
- L - removable handles for multi-point lock and separate key lock to be provided
- G.A. - min. glazing area required
- O.A. - min. openable area required
- top hung open outward.
- side hung open outward.
- centre pivot.
- W105 - Handed Window
- G1 - 8mm thk. Heat Strengthened Glass + 12mm Air Space + 10mm thk. Tempered Clear Glass
- G2 - 6mm thk. Heat Strengthened Glass + 12mm Air Space + 6mm thk. Tempered Clear Glass
- G3 - 10mm thk. Tempered Clear Glass

B.D. REF :

ARCHITECT : **AGC DESIGN LTD**

STRUCTURAL ENGINEER : **ARUP**

Ove Arup & Partners Hong Kong Limited

E&M SERVICES CONSULTANT: **WONG & CHUANG BUILDING SERVICES LTD**

NOTE :

- ALL DIMENSIONS ARE IN mm.
- ALL ELEVATIONS ARE VIEWED FROM OUTSIDE.
- ALL DIMENSIONS TO BE VERIFIED ON SITE BEFORE FABRICATION.

LEGEND :

- X1 - DETAIL MARK NO.
- X001 - REFER SHEET NO.

- F.F.L. - FINISHED FLOOR LEVEL
- S.F.L. - STRUCTURAL FLOOR LEVEL
- (R) - REVERSED DETAIL

NO.	DATE	REVISED	BY
03	25/04/2019	GENERAL REVISION	
02	27/03/2019	GENERAL REVISION	
01	12/03/2019	GENERAL REVISION	

JOB NO. : J838

PROJECT : PROPOSED RESIDENTIAL DEVELOPMENT AT 139-147 ARGYLE STREET, KOWLOON INLAND LOT NOS. 6005, 6035 R.P., 6036 R.P., 6037 R.P., & 6038 R.P.

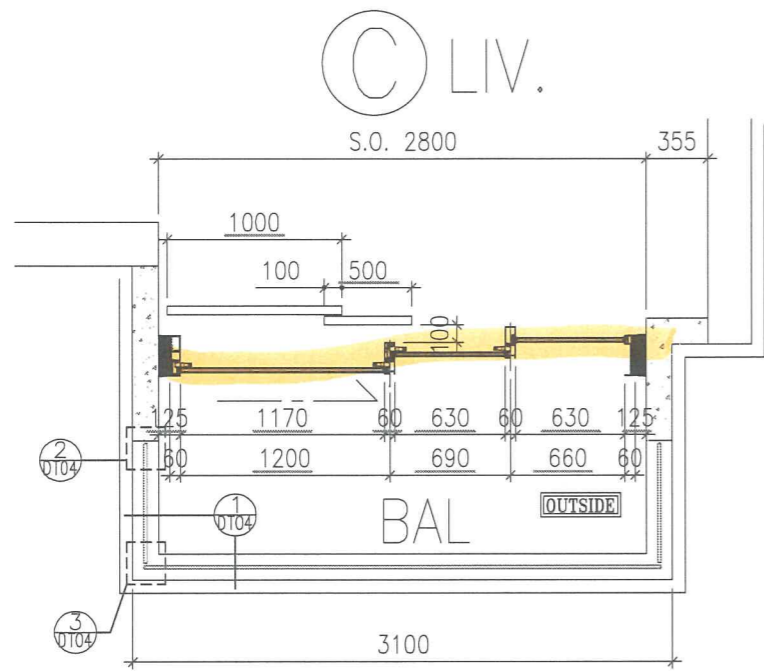
TITLE : ACOUSTIC WINDOW FOR LABORATORY TEST OF WINDOW SCHEDULE 05

DATE : 2019-02-19 SCALE : 1 : 50

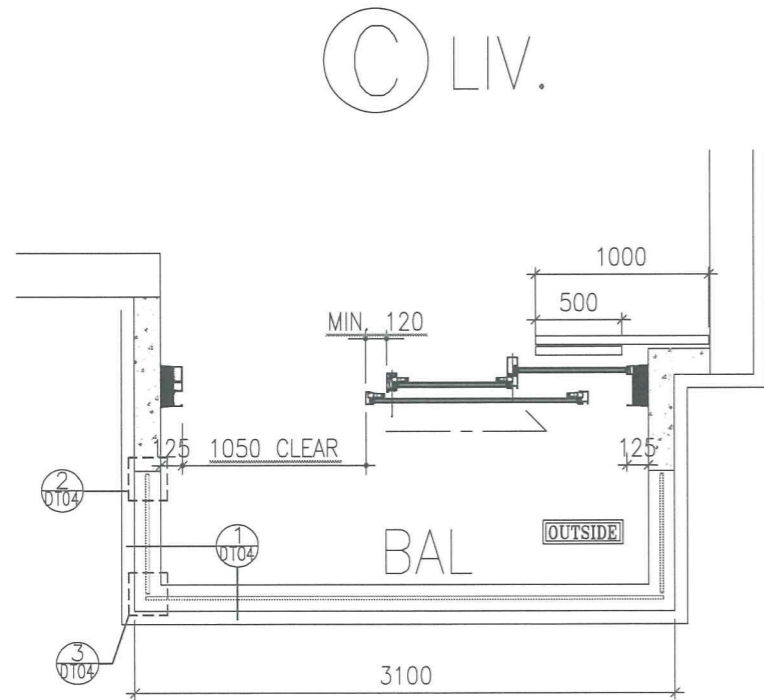
DRAWN BY : ASING CHECKED BY :

英特鋁質有限公司
MIDI ALUMINIUM FABRICATOR LTD.
Units 6-8, Sunray Industrial Centre, 1/F
610 Cha Kwo Ling Road, Kowloon
Tel: 23489211-4 Fax: (852) 27272666

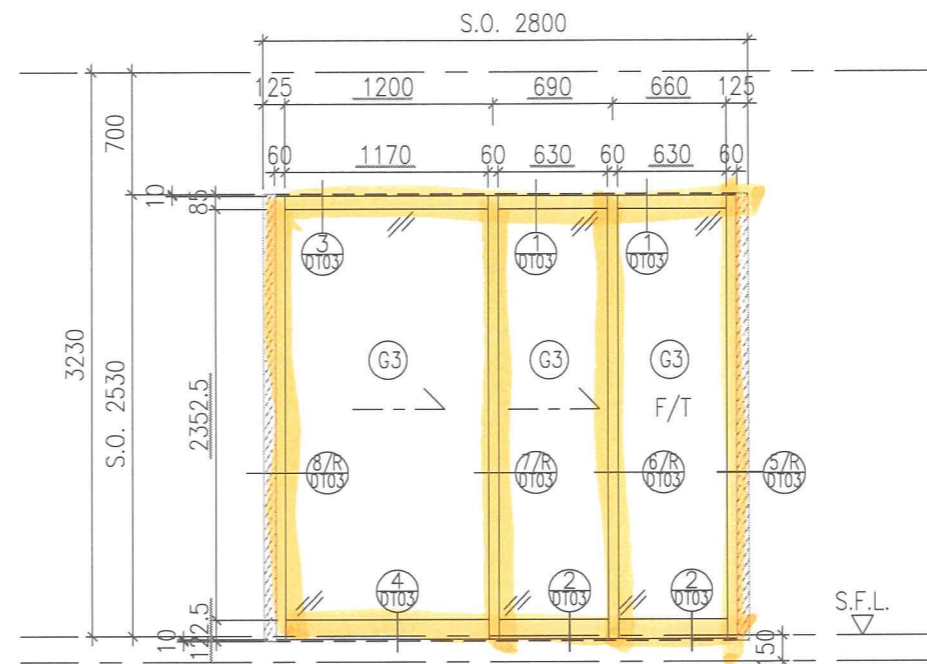
DWG NO. : J838-LT-WS05 REV. : 03



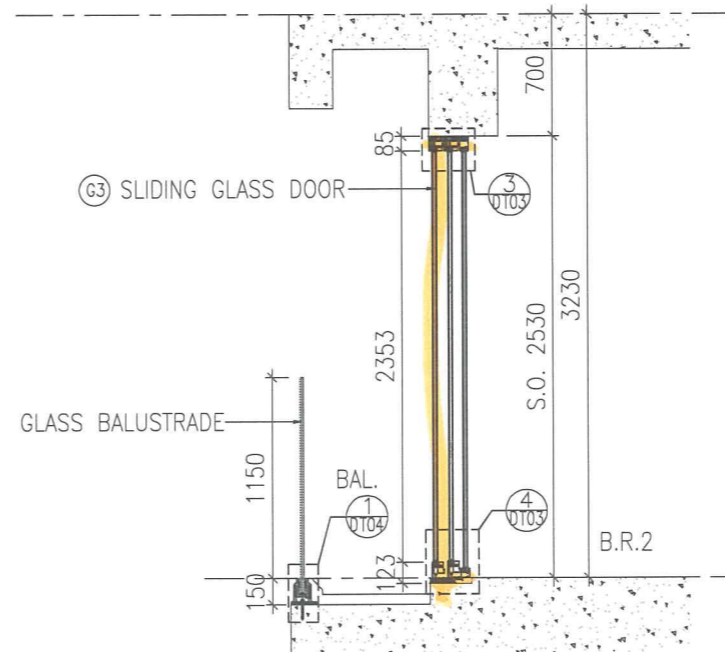
PART PLAN - ACOUSTIC PANEL AT OPENING POSITION



PART PLAN - ACOUSTIC PANEL AT OPENING POSITION
TYPICAL FLOOR PLAN



WINDOW ELEVATION



WALL SECTION

Notes :

1. All elevations are viewed from outside
2. All aluminium window frame to be PVF2 finish
3. All relevant shop drawings should be submitted for approval.
4. Glass opening of bath room & kitchen for exhaust fan to be provided by window sub-contractor.
5. Variation of glass thickness of same glazing type within a window shall not exceed ± 2 mm, unless otherwise approved.
6. All glazing thickness indicated on drawing are min. thickness requirement, actual thickness subject to calculation.
7. Door stopper to be provided to all sliding doors.
8. Thickness of tempered glass fin at openable window subject to calculation.
9. Removable handles for multi-point lock and separate key lock to be provided for each openable windows.

Legend :

- S.F.L. --structural floor level
 F --fixed glass panel
 F.A. --fixed alum. panel
 S.O. --structure opening
 T --tempered glass
 L --removable handles for multi-point lock and separate key lock to be provided
 G.A. --min. glazing area required
 O.A. --min. openable area required
 < /> --top hung open outward.
 < /> --side hung open outward.
 < /> --centre pivot.
 W-F --Handed Window
 (G1) -- 8mm thk. Heat Strengthened Glass + 12mm Air Space + 10mm thk. Tempered Clear Glass
 (G2) -- 6mm thk. Heat Strengthened Glass + 12mm Air Space + 6mm thk. Tempered Clear Glass
 (G3) -- 10mm thk. Tempered Clear Glass

B.D. REF :

ARCHITECT : **AGC DESIGN LTD**

STRUCTURAL ENGINEER : **ARUP**
 Ove Arup & Partners Hong Kong Limited

E&M SERVICES CONSULTANT:
WONG & CHUNG ENGINEERING SERVICES LTD

NOTE :

1. ALL DIMENSIONS ARE IN mm.
2. ALL ELEVATIONS ARE VIEWED FROM OUTSIDE.
3. ALL DIMENSIONS TO BE VERIFIED ON SITE BEFORE FABRICATION.

LEGEND :

- (X1) --DETAIL MARK NO.
 (X001) --REFER SHEET NO.

1. F.F.L. --FINISHED FLOOR LEVEL
2. S.F.L. --STRUCTURAL FLOOR LEVEL
3. (R) --REVERSED DETAIL

NO.	DATE	REVISED	BY
03	25/04/2019	GENERAL REVISION	
02	27/03/2019	GENERAL REVISION	
01	12/03/2019	GENERAL REVISION	

JOB NO. : J838
 PROJECT : PROPOSED RESIDENTIAL DEVELOPMENT AT 139-147 ARGYLE STREET, KOWLOON INLAND LOT NOS. 6005, 6035 R.P., 6036 R.P., 6037 R.P., & 6038 R.P.

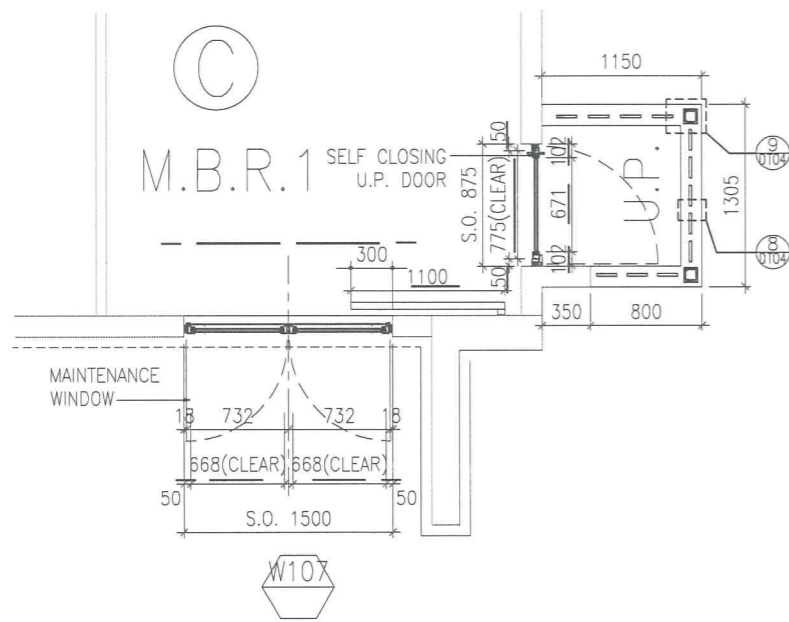
TITLE : ACOUSTIC WINDOW FOR LABORATORY TEST OF WINDOW SCHEDULE 06

DATE : 2019-02-19 SCALE : 1 : 50

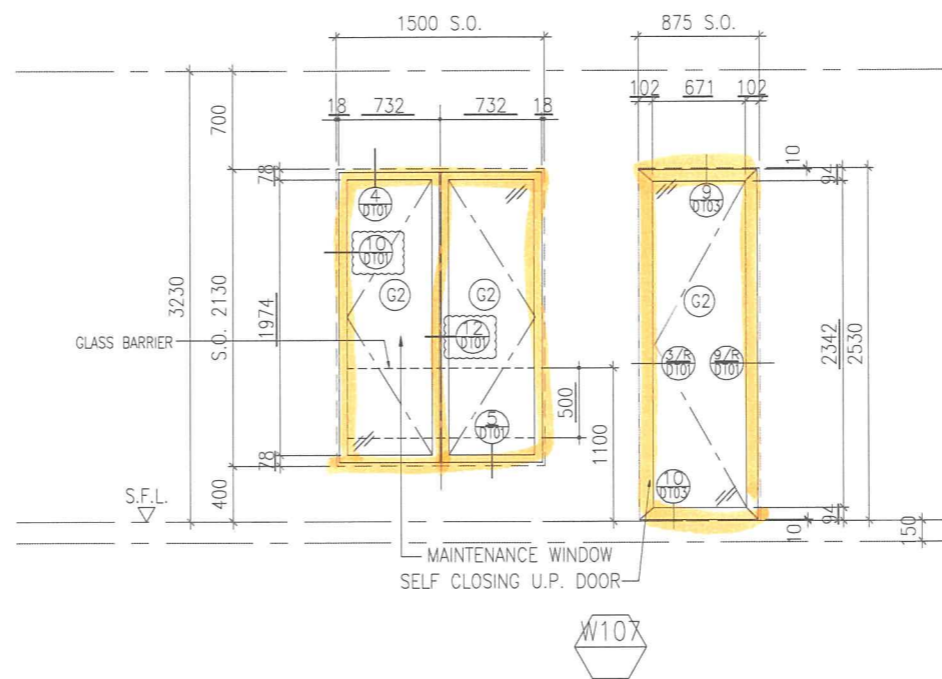
DRAWN BY : ASING CHECKED BY :

美特鋁質有限公司
MIDI ALUMINIUM FABRICATOR LTD.
 Units 6-8, Sunray Industrial Centre, 1/F
 610 Cha Kwo Ling Road, Kowloon
 Tel: 23489211-4 Fax: (852) 2727666

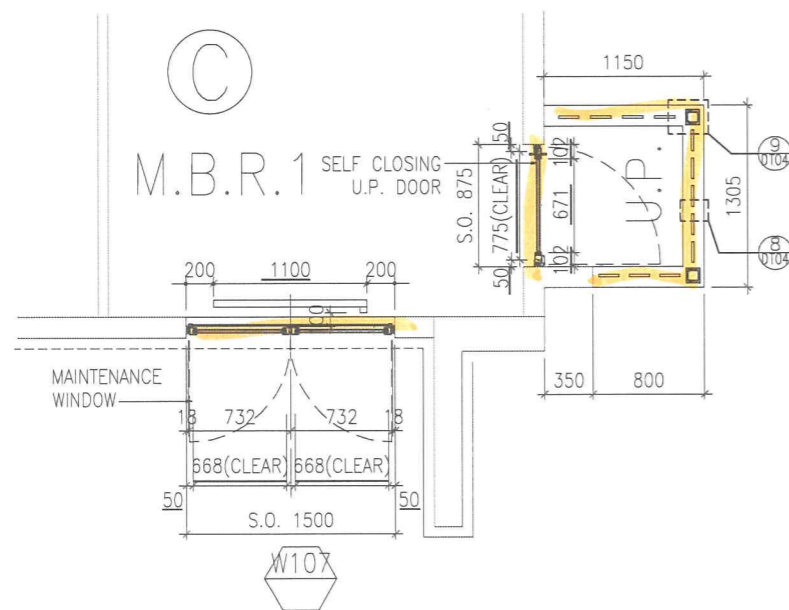
DWG NO. : J838-LT-WS06 REV. : 03



PART PLAN - ACOUSTIC PANEL AT OPENING POSITION

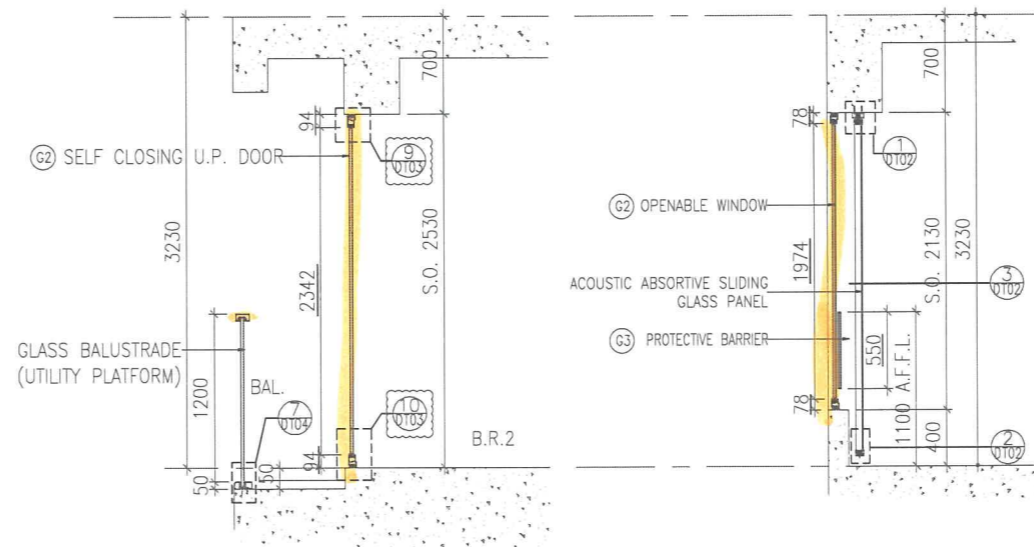


WINDOW ELEVATION

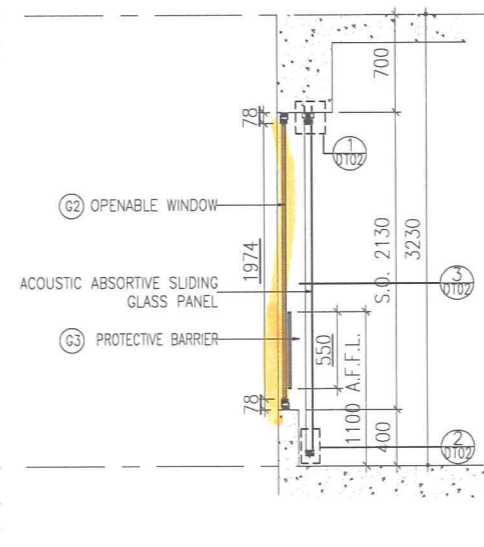


PART PLAN - ACOUSTIC PANEL AT CLOSING POSITION

TYPICAL FLOOR PLAN



WALL SECTION 1



WALL SECTION 1

Notes :

- All elevations are viewed from outside
- All aluminium window frame to be PVF2 finish
- All relevant shop drawings should be submitted for approval.
- Glass opening of bath room & kitchen for exhaust fan to be provided by window sub-contractor.
- Variation of glass thickness of same glazing type within a window shall not exceed ± 2 mm, unless otherwise approved.
- All glazing thickness indicated on drawing are min. thickness requirement, actual thickness subject to calculation.
- Door stopper to be provided to all sliding doors.
- Thickness of tempered glass fin at openable window subject to calculation.
- Removable handles for multi-point lock and separate key lock to be provided for each openable windows.

Legend :

- S.F.L. - structural floor level
- F - fixed glass panel
- F.A. - fixed alum. panel
- S.O. - structure opening
- T - tempered glass
- L - removable handles for multi-point lock and separate key lock to be provided
- G.A. - min. glazing area required
- O.A. - min. openable area required
- ∧ - top hung open outward.
- ∨ - side hung open outward.
- ◇ - centre pivot.
- W-H - Handed Window

- G1 - 8mm thk. Heat Strengthened Glass + 12mm Air Space + 10mm thk. Tempered Clear Glass
- G2 - 6mm thk. Heat Strengthened Glass + 12mm Air Space + 6mm thk. Tempered Clear Glass
- G3 - 10mm thk. Tempered Clear Glass

B.D. REF :

ARCHITECT : **AGC DESIGN LTD**

STRUCTURAL ENGINEER : **ARUP**
Ove Arup & Partners Hong Kong Limited

E&M SERVICES CONSULTANT:
WONG & OUTYANG BUILDINGS SERVICES LTD

NOTE :

- ALL DIMENSIONS ARE IN mm.
- ALL ELEVATIONS ARE VIEWED FROM OUTSIDE.
- ALL DIMENSIONS TO BE VERIFIED ON SITE BEFORE FABRICATION.

LEGEND :

- X1 - DETAIL MARK NO.
- X001 - REFER SHEET NO.

- F.F.L. - FINISHED FLOOR LEVEL
- S.F.L. - STRUCTURAL FLOOR LEVEL
- ⊗ - REVERSED DETAIL

NO.	DATE	REVISION	BY
03	25/04/2019	GENERAL REVISION	
02	27/03/2019	GENERAL REVISION	
01	12/03/2019	GENERAL REVISION	

JOB NO. : J838

PROJECT : PROPOSED RESIDENTIAL DEVELOPMENT AT 139-147 ARGYLE STREET, KOWLOON INLAND LOT NOS. 6005, 6035 R.P., 6036 R.P., 6037 R.P., & 6038 R.P.

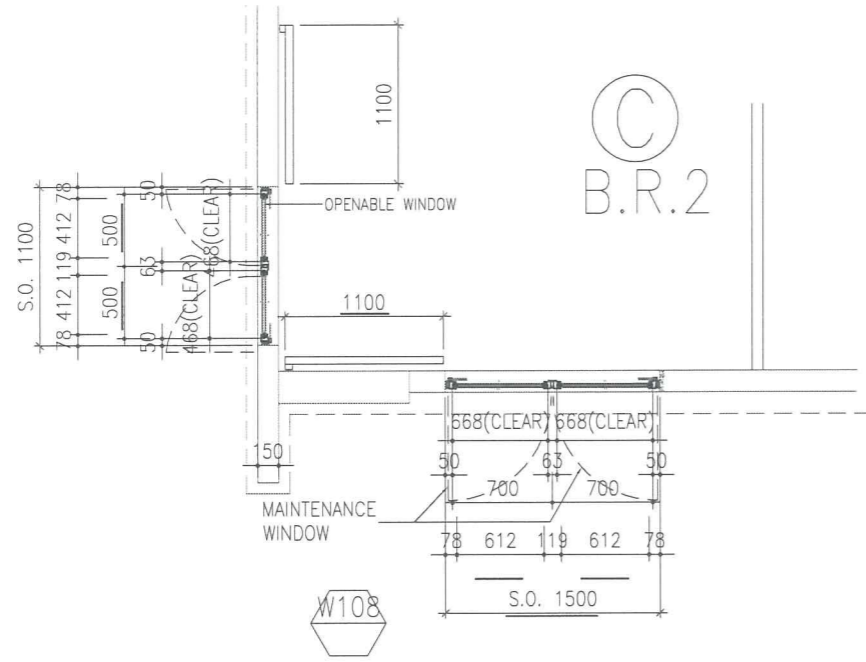
TITLE : ACOUSTIC WINDOW FOR LABORATORY TEST OF WINDOW SCHEDULE 07

DATE : 2019-02-19 SCALE : 1 : 50

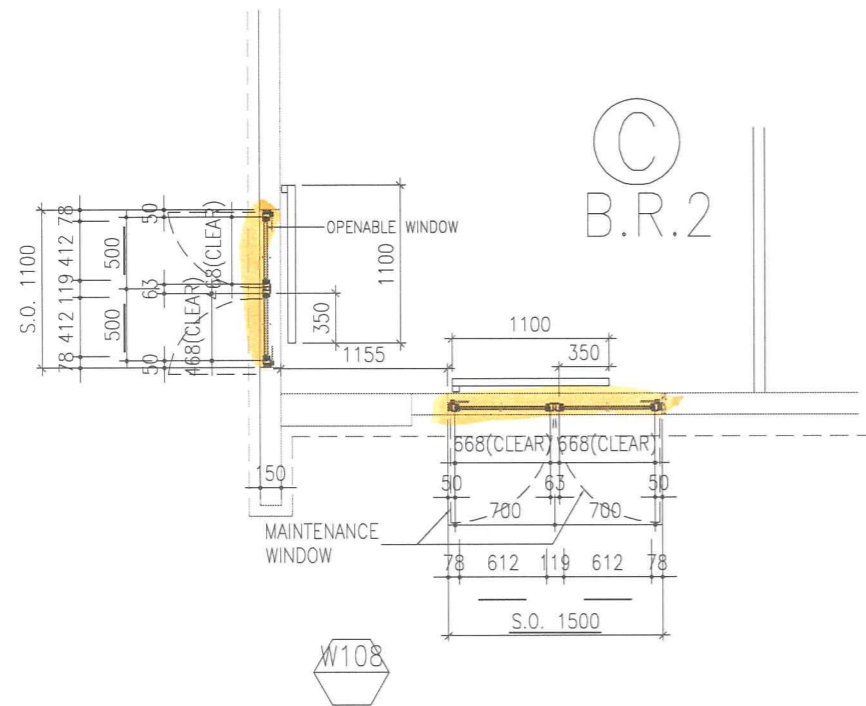
DRAWN BY : ASING CHECKED BY :

美特鋁質有限公司
MIDI ALUMINIUM FABRICATOR LTD.
Units 6-8, Sunray Industrial Centre, 1/F
610 Cha Kwo Ling Road, Kowloon
Tel: 23489211-4 Fax: (852) 2727666

DWG NO. : J838-LT-WS07 REV. : 03

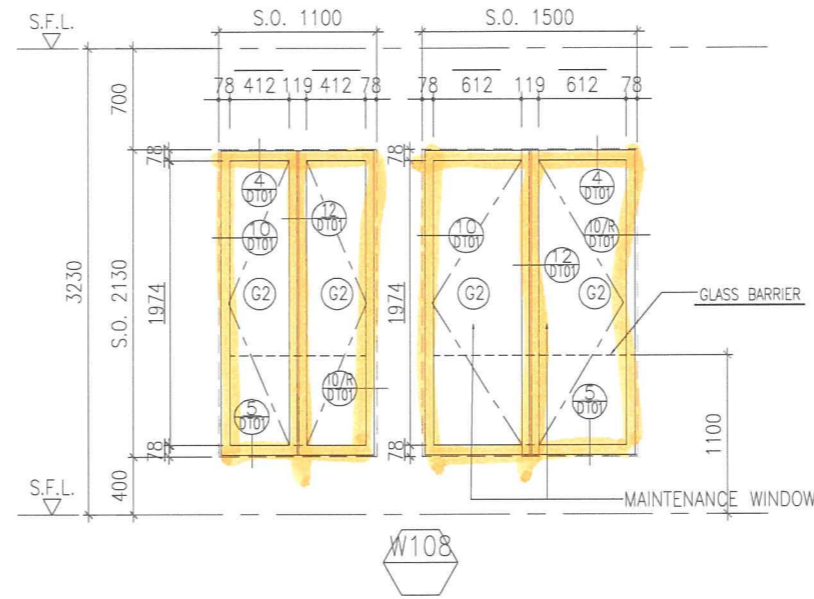


PART PLAN - ACOUSTIC PANEL AT OPENING POSITION



PART PLAN - ACOUSTIC PANEL AT CLOSING POSITION

TYPICAL FLOOR PLAN



WINDOW ELEVATION



WALL SECTION

Notes :

1. All elevations are viewed from outside
2. All aluminium window frame to be PVF2 finish
3. All relevant shop -drawings should be submitted for approval.
4. Glass opening of bath room & kitchen for exhaust fan to be provided by window sub-contractor.
5. Variation of glass thickness of same glazing type within a window shall not exceed ± 2 mm, unless otherwise approved.
6. All glazing thickness indicated on drawing are min. thickness requirement, actual thickness subject to calculation.
7. Door stopper to be provided to all sliding doors.
8. Thickness of tempered glass fin at openable window subject to calculation.
9. Removable handles for multi-point lock and separate key lock to be provided for each openable windows.

Legend :

- S.F.L. - structural floor level
- F - fixed glass panel
- F.A. - fixed alum. panel
- S.O. - structure opening
- T - tempered glass
- L - removable handles for multi-point lock and separate key lock to be provided
- G.A. - min. glazing area required
- O.A. - min. openable area required
- ^ - top hung open outward.
- < - side hung open outward.
- ◇ - centre pivot.
- W-H - Handed Window
- G1 - 8mm thk. Heat Strengthened Glass + 12mm Air Space + 10mm thk. Tempered Clear Glass
- G2 - 6mm thk. Heat Strengthened Glass + 12mm Air Space + 6mm thk. Tempered Clear Glass
- G3 - 10mm thk. Tempered Clear Glass

B.D. REF :

ARCHITECT : **AGC DESIGN LTD**

STRUCTURAL ENGINEER : **ARUP**
Ove Arup & Partners Hong Kong Limited

E&M SERVICES CONSULTANT: **WONG & OUYANG BUILDING SERVICES LTD**

NOTE :

1. ALL DIMENSIONS ARE IN mm.
2. ALL ELEVATIONS ARE VIEWED FROM OUTSIDE.
3. ALL DIMENSIONS TO BE VERIFIED ON SITE BEFORE FABRICATION.

LEGEND :

- X1 - DETAIL MARK NO.
- X001 - REFER SHEET NO.
- 1. F.F.L. --- FINISHED FLOOR LEVEL
- 2. S.F.L. --- STRUCTURAL FLOOR LEVEL
- 3. (R) --- REVERSED DETAIL

NO.	DATE	REVISION	BY
03	25/04/2019	GENERAL REVISION	
02	27/03/2019	GENERAL REVISION	
01	12/03/2019	GENERAL REVISION	

JOB NO. : J838

PROJECT : PROPOSED RESIDENTIAL DEVELOPMENT AT 139-147 ARGYLE STREET, KOWLOON INLAND LOT NOS. 6005, 6035 R.P., 6036 R.P., 6037 R.P., & 6038 R.P.

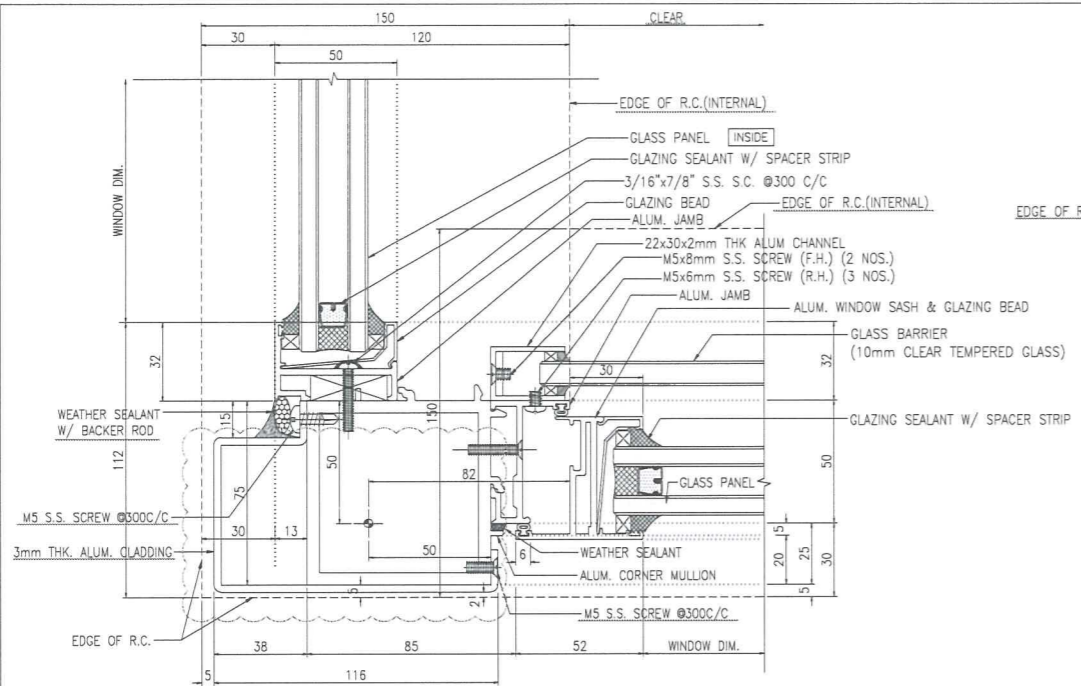
TITLE : ACOUSTIC WINDOW FOR LABORATORY TEST OF WINDOW SCHEDULE 08

DATE : 2019-02-19 SCALE : 1 : 50

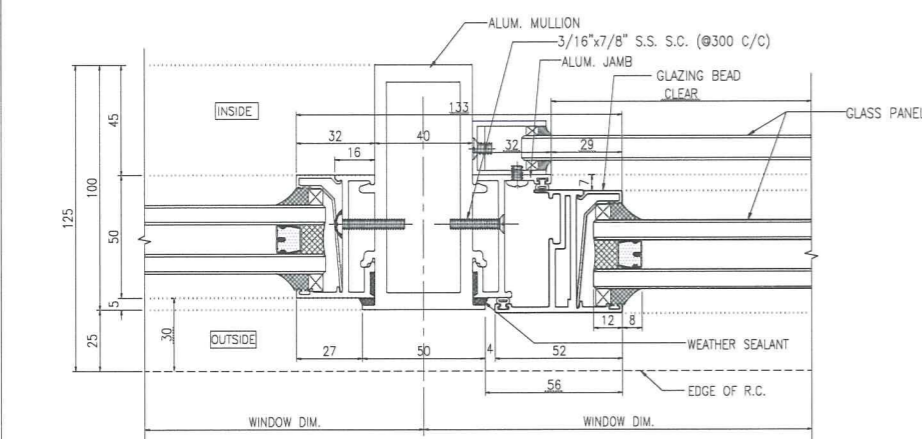
DRAWN BY : ASING CHECKED BY :

英特鋁質有限公司
MIDI ALUMINIUM FABRICATOR LTD.
Units 6-8, Sunray Industrial Centre, 1/F
610 Cha Kwo Ling Road, Kowloon
Tel:23489211-4 Fax:(852)27727666

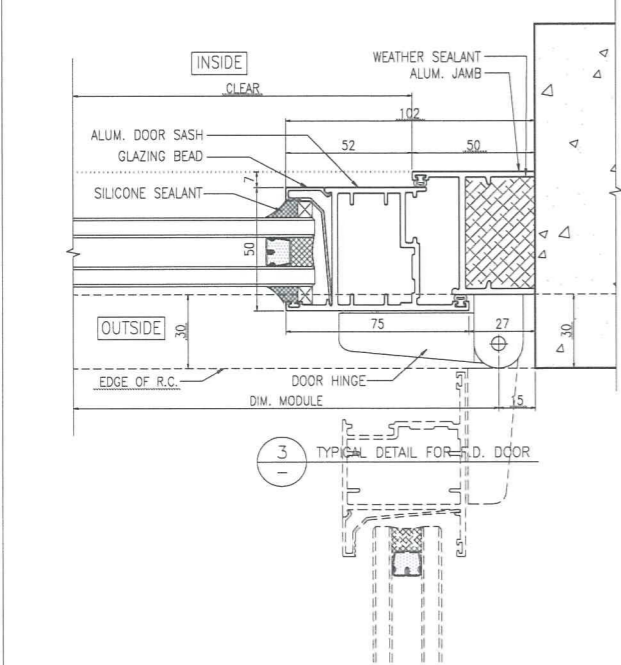
DWG NO. : J838-LT-WS08 REV. : 03



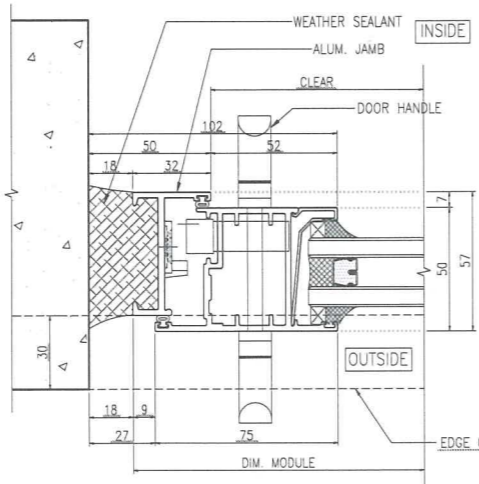
1 TYPICAL DETAIL
Corner Mullion



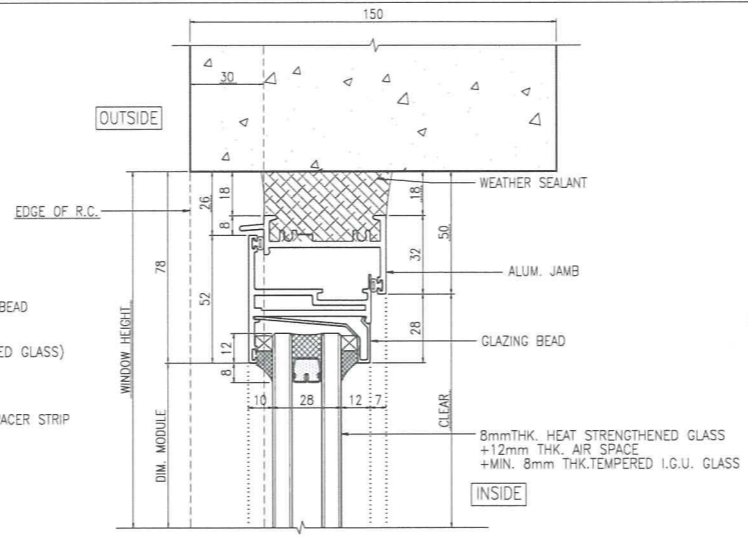
2 TYPICAL DETAIL FOR ALUM. WINDOW
Mullion Of Fixed Window And Openable Window



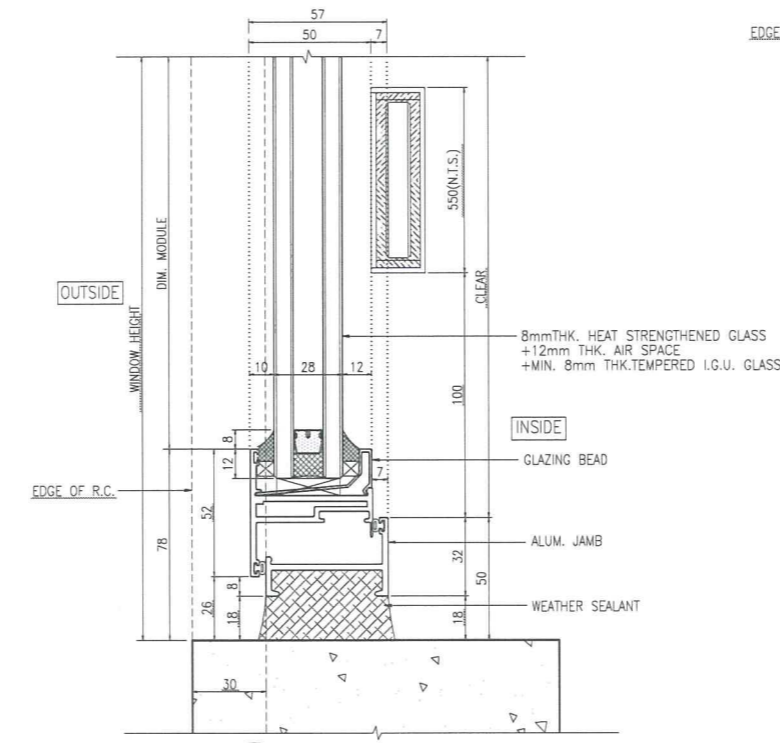
3 TYPICAL DETAIL FOR D.D. DOOR



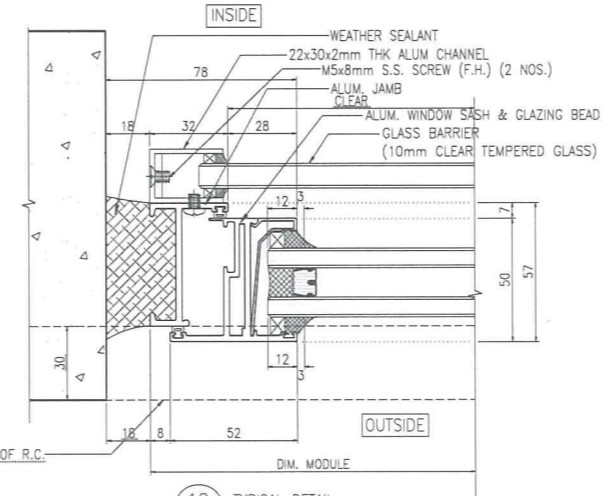
9 TYPICAL DETAIL
ALUM. U.P. DOOR



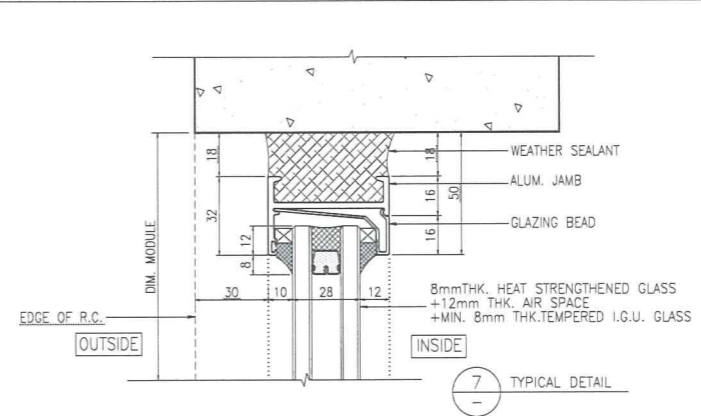
4 TYPICAL DETAIL FOR ALUM. WINDOW
(FOR OPENABLE PANEL)



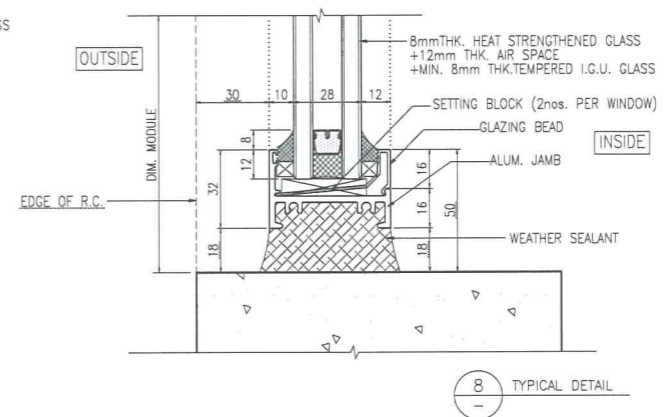
5 TYPICAL DETAIL FOR ALUM. WINDOW
(FOR OPENABLE PANEL)



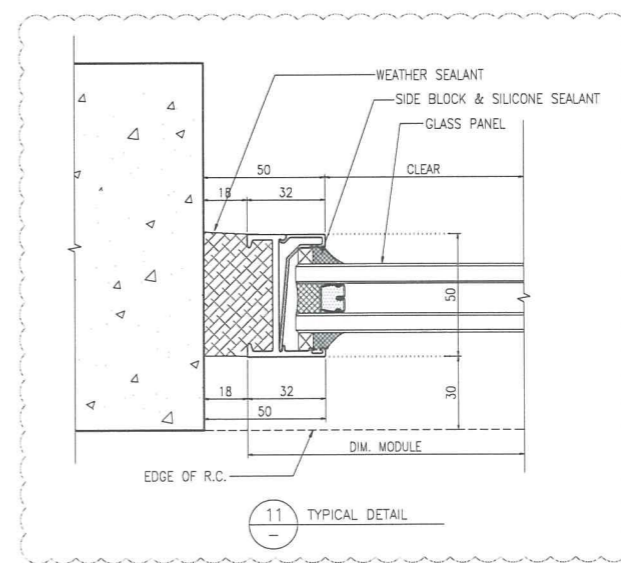
10 TYPICAL DETAIL
ALUM. WINDOWS



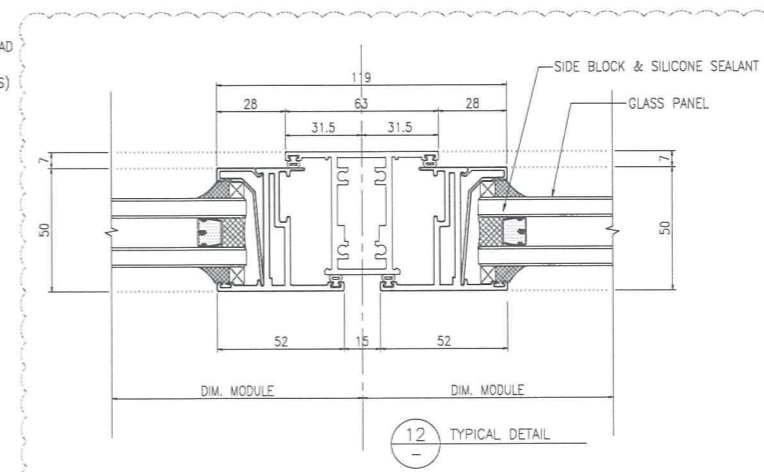
7 TYPICAL DETAIL



8 TYPICAL DETAIL



11 TYPICAL DETAIL



12 TYPICAL DETAIL

B.D. REF :
大樣

ARCHITECT : **AGC DESIGN LTD**
AGC DESIGN LTD
 10/F, Green Plaza, 238 King's Road, North Point, Hong Kong
 Tel: (852) 2811 8888 Fax: (852) 2811 8889 Email: agcdesign@agc.com.hk

STRUCTURAL ENGINEER :
ARUP
 Ove Arup & Partners Hong Kong Limited
 E&M SERVICES CONSULTANT:
WONG & CHUANG BUILDING SERVICES LTD
WONG & CHUANG BUILDING SERVICES LTD
 11/F, 111 Wing Lok Street, North Point, Hong Kong
 Tel: (852) 2521 1111 Fax: (852) 2521 1112 Email: wongchuang@wongchuang.com.hk

NOTE :
 1. ALL DIMENSIONS ARE IN mm.
 2. ALL ELEVATIONS ARE VIEWED FROM OUTSIDE.
 3. ALL DIMENSIONS TO BE VERIFIED ON SITE BEFORE FABRICATION.

LEGEND :
 (X1) --- DETAIL MARK NO.
 (X001) --- REFER SHEET NO.
 1. F.F.L. --- FINISHED FLOOR LEVEL
 2. S.F.L. --- STRUCTURAL FLOOR LEVEL
 3. (R) --- REVERSED DETAIL

NO.	DATE	REVISION	BY
03	25/04/2019	GENERAL REVISION	
02	27/05/2019	GENERAL REVISION	
01	12/05/2019	GENERAL REVISION	

JOB NO. : J838
 PROJECT : PROPOSED RESIDENTIAL DEVELOPMENT AT 139-147 ARGYLE STREET, KOWLOON INLAND LOT NOS. 6005, 6035 R.P., 6036 R.P., 6037 R.P., & 6038 R.P.

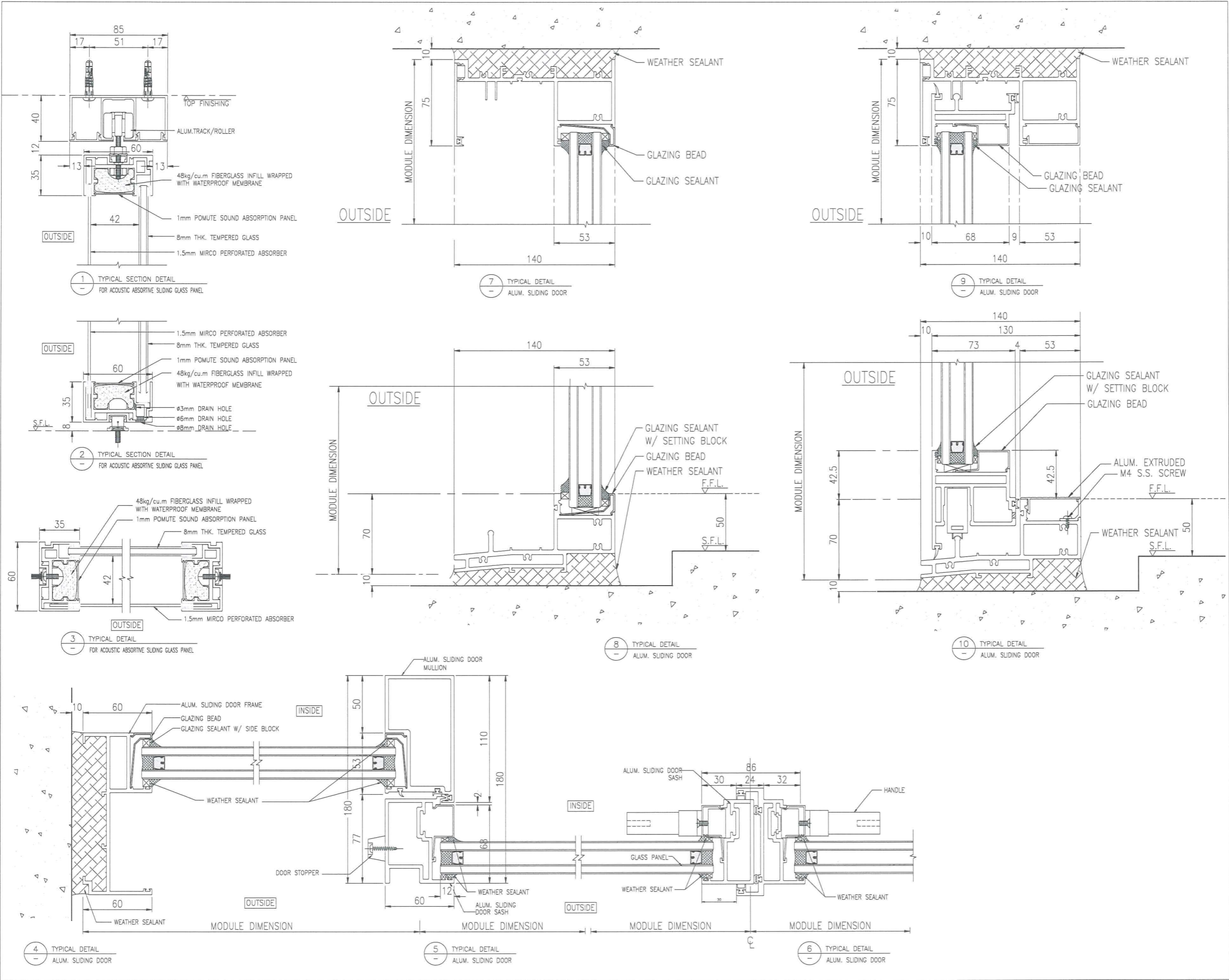
TITLE : DETAILS OF ACOUSTIC WINDOW FOR LABORATORY TEST

DATE : 2019-02-19 SCALE : 1 : 50

DRAWN BY : ASING CHECKED BY :

美特鋁質有限公司
MIDI ALUMINIUM FABRICATOR LTD.
 Units 6-8, Sunray Industrial Centre, 1/F
 610 Cha Kwo Ling Road, Kowloon
 Tel: 23489211-4 Fax: (852) 2727666

DWG NO. : J838-LT-DT01 REV. : 03



B.D. REF :

ARCHITECT : **AGC DESIGN LTD**

STRUCTURAL ENGINEER :

ARUP

Ove Arup & Partners Hong Kong Limited

E&M SERVICES CONSULTANT:

WONG & CHANG (ENGINEERING) LTD

NOTE :
 1. ALL DIMENSIONS ARE IN mm.
 2. ALL ELEVATIONS ARE VIEWED FROM OUTSIDE.
 3. ALL DIMENSIONS TO BE VERIFIED ON SITE BEFORE FABRICATION.

LEGEND :
 (X1) --- DETAIL MARK NO.
 (X001) --- REFER SHEET NO.

1. F.F.L. --- FINISHED FLOOR LEVEL
 2. S.F.L. --- STRUCTURAL FLOOR LEVEL
 3. (R) --- REVERSED DETAIL

02	27/03/2019	GENERAL REVISION
01	12/03/2019	GENERAL REVISION
NO.	DATE	REVISED BY

JOB NO. : J838

PROJECT : PROPOSED RESIDENTIAL DEVELOPMENT AT 139-147 ARGYLE STREET, KOWLOON INLAND LOT NOS. 6005, 6035 R.P., 6036 R.P., 6037 R.P., & 6038 R.P.

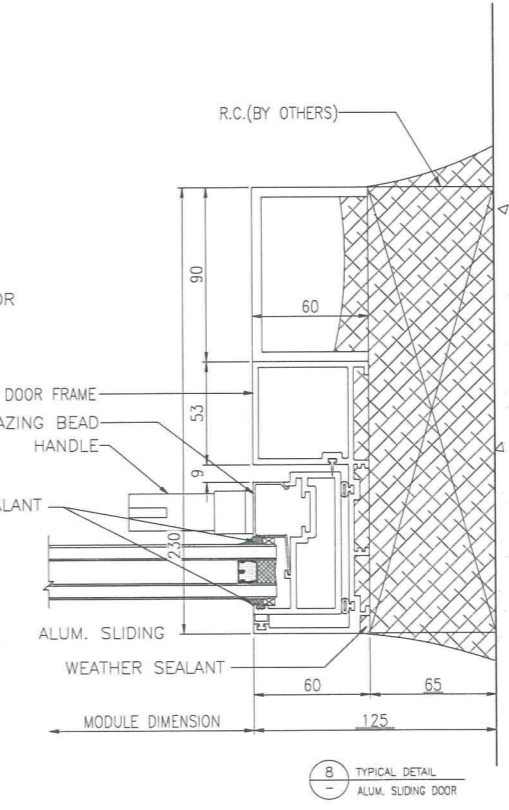
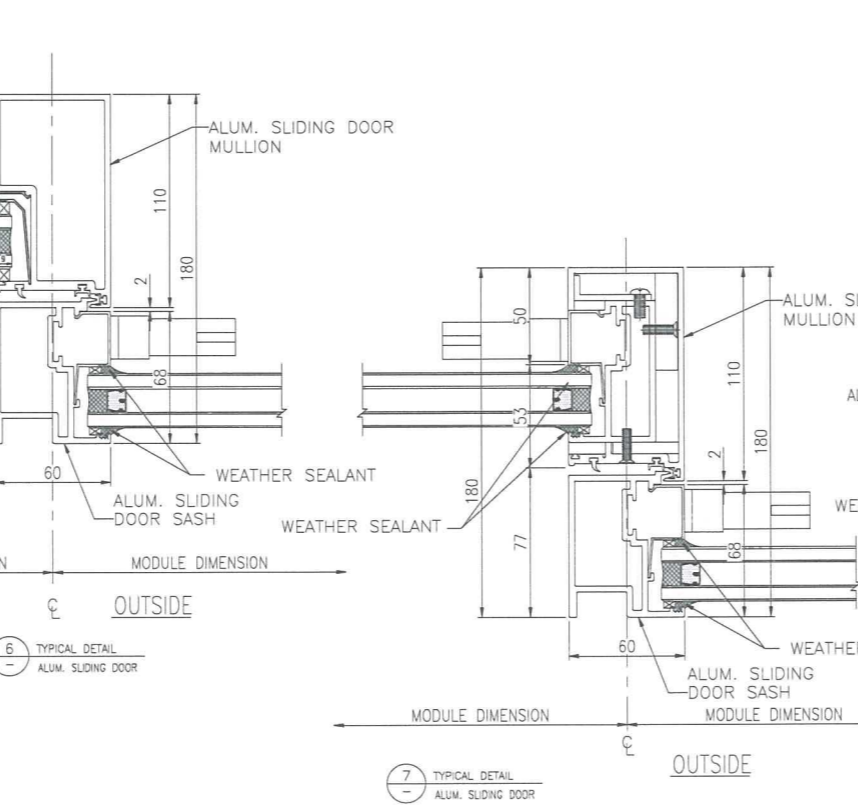
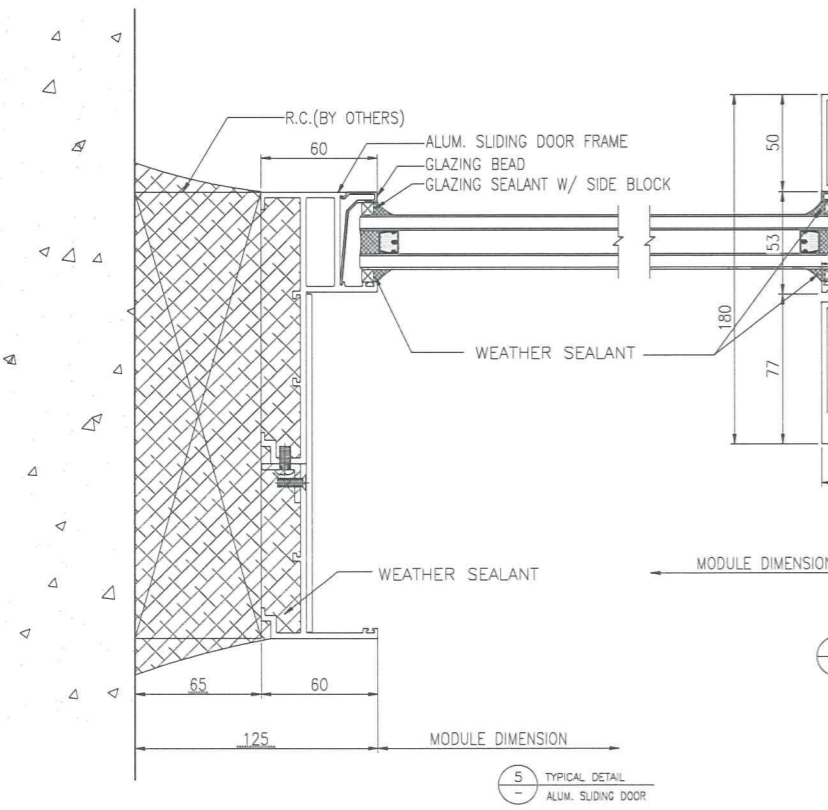
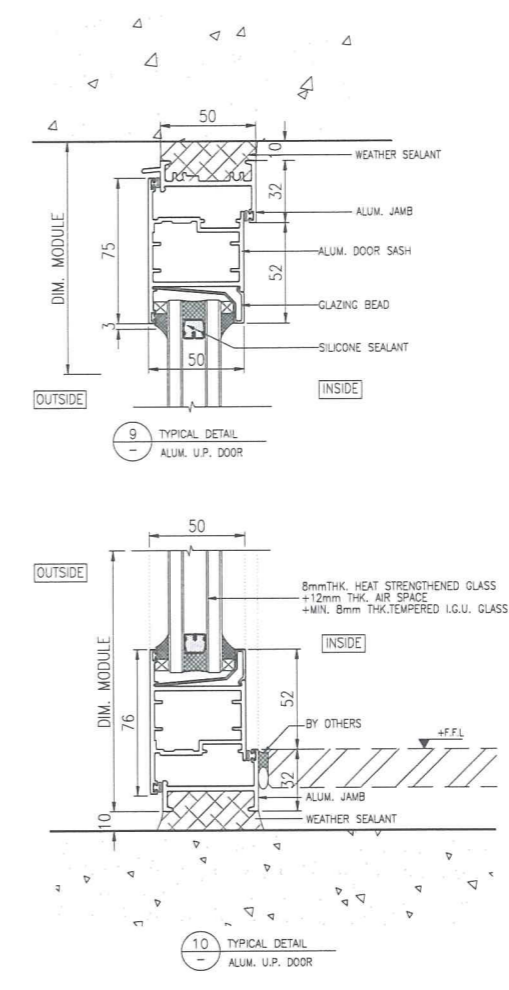
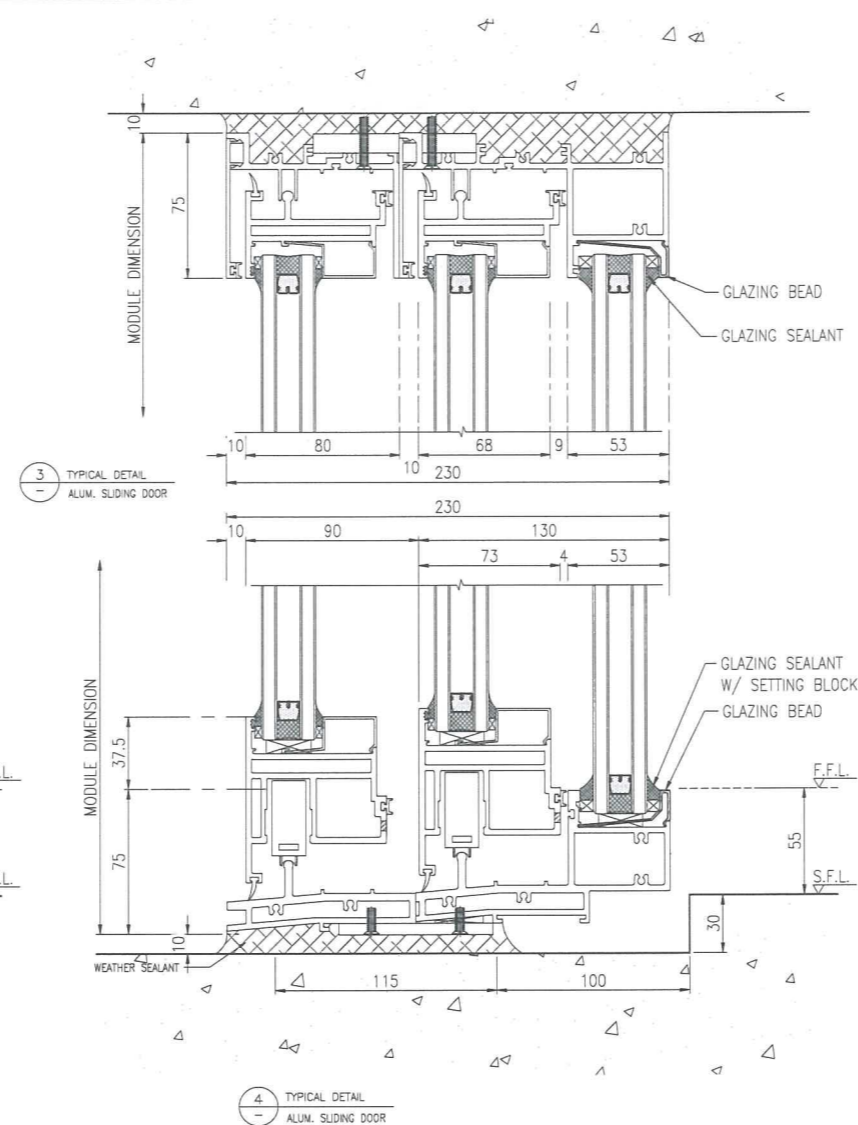
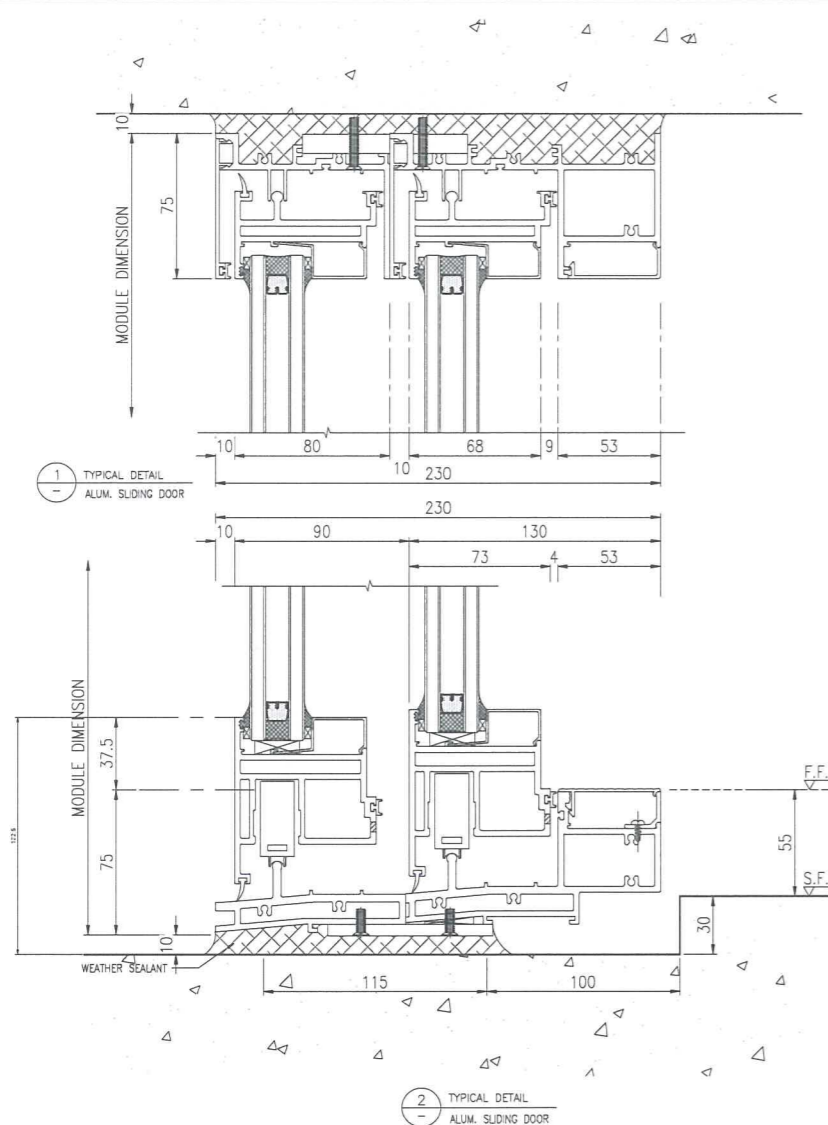
TITLE : DETAILS OF ACOUSTIC WINDOW FOR LABORATORY TEST

DATE : 2019-02-19 SCALE : 1 : 50

DRAWN BY : ASING CHECKED BY :

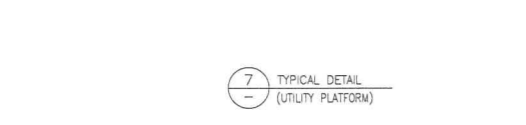
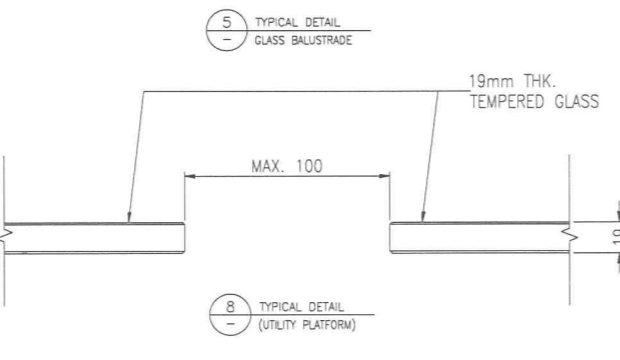
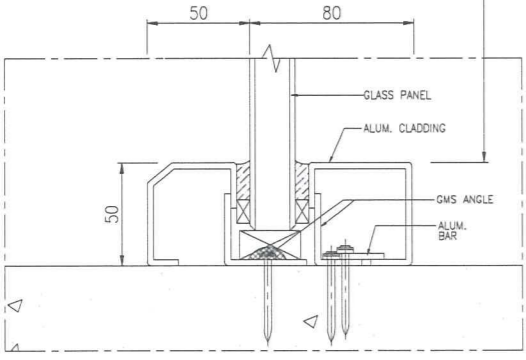
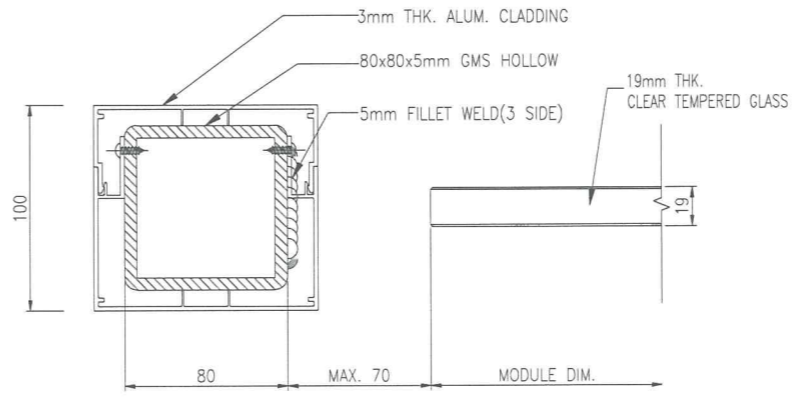
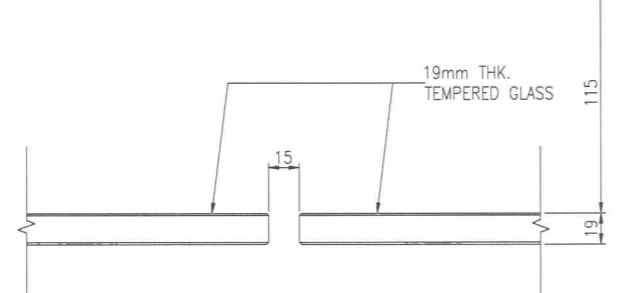
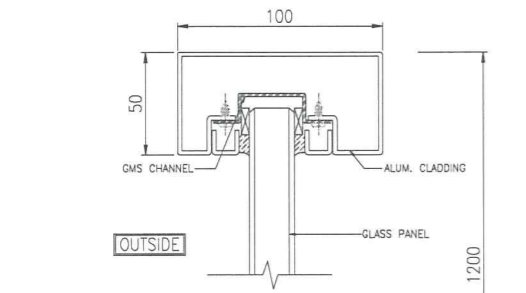
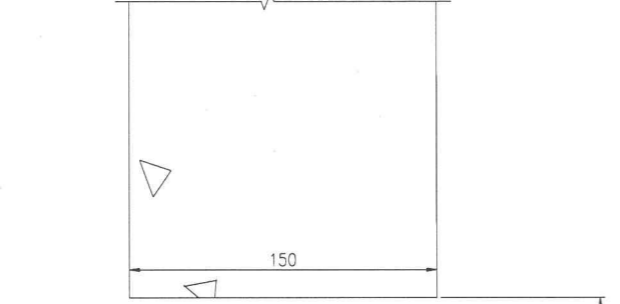
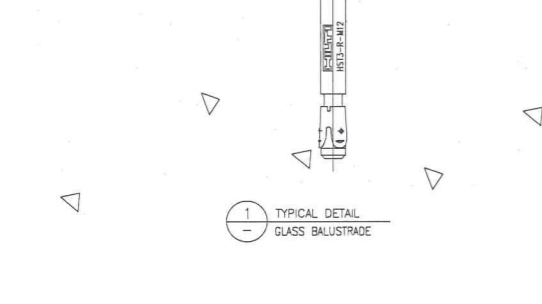
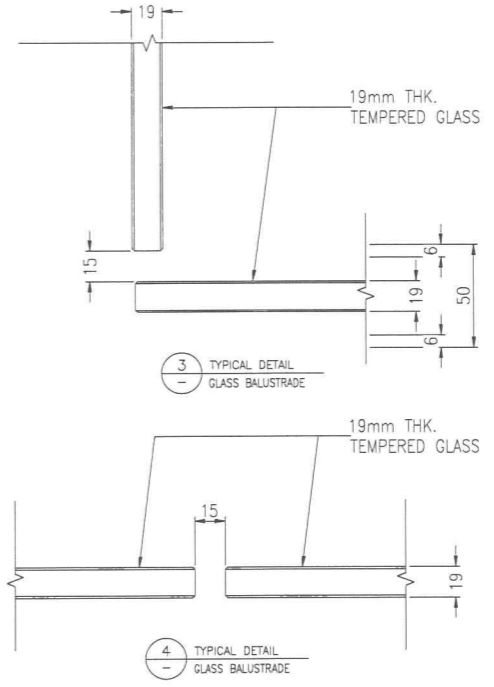
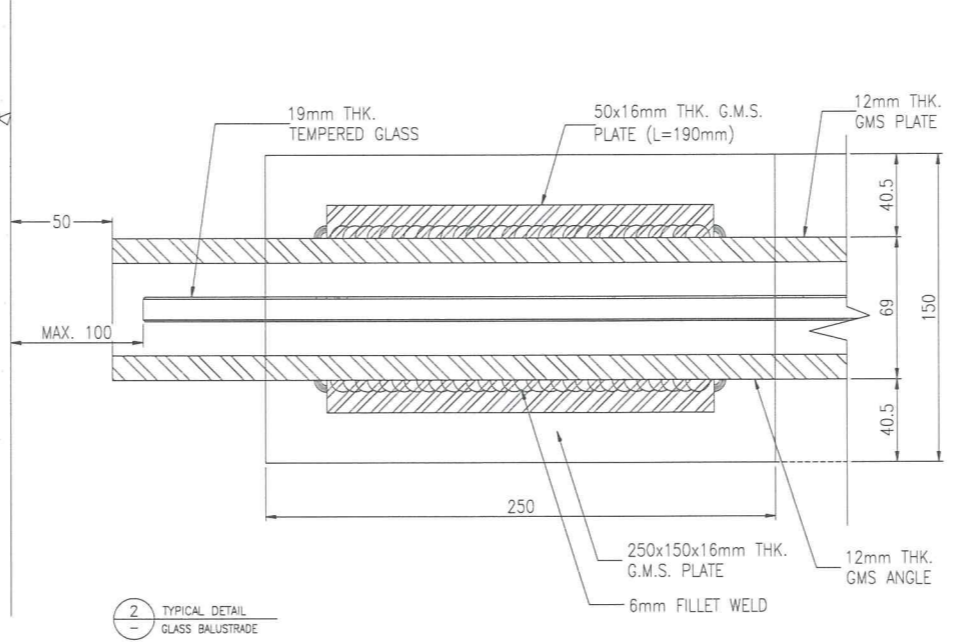
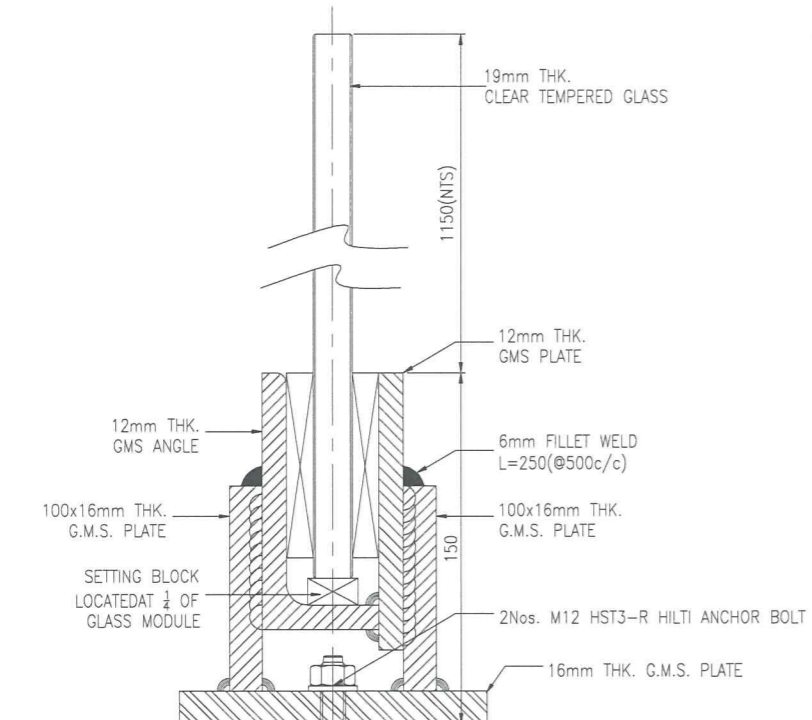
英特鋁質有限公司
MIDI ALUMINIUM FABRICATOR LTD.
 Units 6-8, Sunray Industrial Centre, 1/F
 610 Cha Kwo Ling Road, Kowloon
 Tel: 23489211-4 Fax: (852) 27727666

DWG NO. : J838-LT-DT02 REV. : 02



B.D. REF :

ARCHITECT : **AGC DESIGN LTD**
AGC DESIGN LTD
 101, 103, 105, 107, 109, 111, 113, 115, 117, 119, 121, 123, 125, 127, 129, 131, 133, 135, 137, 139, 141, 143, 145, 147, 149, 151, 153, 155, 157, 159, 161, 163, 165, 167, 169, 171, 173, 175, 177, 179, 181, 183, 185, 187, 189, 191, 193, 195, 197, 199, 201, 203, 205, 207, 209, 211, 213, 215, 217, 219, 221, 223, 225, 227, 229, 231, 233, 235, 237, 239, 241, 243, 245, 247, 249, 251, 253, 255, 257, 259, 261, 263, 265, 267, 269, 271, 273, 275, 277, 279, 281, 283, 285, 287, 289, 291, 293, 295, 297, 299, 301, 303, 305, 307, 309, 311, 313, 315, 317, 319, 321, 323, 325, 327, 329, 331, 333, 335, 337, 339, 341, 343, 345, 347, 349, 351, 353, 355, 357, 359, 361, 363, 365, 367, 369, 371, 373, 375, 377, 379, 381, 383, 385, 387, 389, 391, 393, 395, 397, 399, 401, 403, 405, 407, 409, 411, 413, 415, 417, 419, 421, 423, 425, 427, 429, 431, 433, 435, 437, 439, 441, 443, 445, 447, 449, 451, 453, 455, 457, 459, 461, 463, 465, 467, 469, 471, 473, 475, 477, 479, 481, 483, 485, 487, 489, 491, 493, 495, 497, 499, 501, 503, 505, 507, 509, 511, 513, 515, 517, 519, 521, 523, 525, 527, 529, 531, 533, 535, 537, 539, 541, 543, 545, 547, 549, 551, 553, 555, 557, 559, 561, 563, 565, 567, 569, 571, 573, 575, 577, 579, 581, 583, 585, 587, 589, 591, 593, 595, 597, 599, 601, 603, 605, 607, 609, 611, 613, 615, 617, 619, 621, 623, 625, 627, 629, 631, 633, 635, 637, 639, 641, 643, 645, 647, 649, 651, 653, 655, 657, 659, 661, 663, 665, 667, 669, 671, 673, 675, 677, 679, 681, 683, 685, 687, 689, 691, 693, 695, 697, 699, 701, 703, 705, 707, 709, 711, 713, 715, 717, 719, 721, 723, 725, 727, 729, 731, 733, 735, 737, 739, 741, 743, 745, 747, 749, 751, 753, 755, 757, 759, 761, 763, 765, 767, 769, 771, 773, 775, 777, 779, 781, 783, 785, 787, 789, 791, 793, 795, 797, 799, 801, 803, 805, 807, 809, 811, 813, 815, 817, 819, 821, 823, 825, 827, 829, 831, 833, 835, 837, 839, 841, 843, 845, 847, 849, 851, 853, 855, 857, 859, 861, 863, 865, 867, 869, 871, 873, 875, 877, 879, 881, 883, 885, 887, 889, 891, 893, 895, 897, 899, 901, 903, 905, 907, 909, 911, 913, 915, 917, 919, 921, 923, 925, 927, 929, 931, 933, 935, 937, 939, 941, 943, 945, 947, 949, 951, 953, 955, 957, 959, 961, 963, 965, 967, 969, 971, 973, 975, 977, 979, 981, 983, 985, 987, 989, 991, 993, 995, 997, 999, 1001, 1003, 1005, 1007, 1009, 1011, 1013, 1015, 1017, 1019, 1021, 1023, 1025, 1027, 1029, 1031, 1033, 1035, 1037, 1039, 1041, 1043, 1045, 1047, 1049, 1051, 1053, 1055, 1057, 1059, 1061, 1063, 1065, 1067, 1069, 1071, 1073, 1075, 1077, 1079, 1081, 1083, 1085, 1087, 1089, 1091, 1093, 1095, 1097, 1099, 1101, 1103, 1105, 1107, 1109, 1111, 1113, 1115, 1117, 1119, 1121, 1123, 1125, 1127, 1129, 1131, 1133, 1135, 1137, 1139, 1141, 1143, 1145, 1147, 1149, 1151, 1153, 1155, 1157, 1159, 1161, 1163, 1165, 1167, 1169, 1171, 1173, 1175, 1177, 1179, 1181, 1183, 1185, 1187, 1189, 1191, 1193, 1195, 1197, 1199, 1201, 1203, 1205, 1207, 1209, 1211, 1213, 1215, 1217, 1219, 1221, 1223, 1225, 1227, 1229, 1231, 1233, 1235, 1237, 1239, 1241, 1243, 1245, 1247, 1249, 1251, 1253, 1255, 1257, 1259, 1261, 1263, 1265, 1267, 1269, 1271, 1273, 1275, 1277, 1279, 1281, 1283, 1285, 1287, 1289, 1291, 1293, 1295, 1297, 1299, 1301, 1303, 1305, 1307, 1309, 1311, 1313, 1315, 1317, 1319, 1321, 1323, 1325, 1327, 1329, 1331, 1333, 1335, 1337, 1339, 1341, 1343, 1345, 1347, 1349, 1351, 1353, 1355, 1357, 1359, 1361, 1363, 1365, 1367, 1369, 1371, 1373, 1375, 1377, 1379, 1381, 1383, 1385, 1387, 1389, 1391, 1393, 1395, 1397, 1399, 1401, 1403, 1405, 1407, 1409, 1411, 1413, 1415, 1417, 1419, 1421, 1423, 1425, 1427, 1429, 1431, 1433, 1435, 1437, 1439, 1441, 1443, 1445, 1447, 1449, 1451, 1453, 1455, 1457, 1459, 1461, 1463, 1465, 1467, 1469, 1471, 1473, 1475, 1477, 1479, 1481, 1483, 1485, 1487, 1489, 1491, 1493, 1495, 1497, 1499, 1501, 1503, 1505, 1507, 1509, 1511, 1513, 1515, 1517, 1519, 1521, 1523, 1525, 1527, 1529, 1531, 1533, 1535, 1537, 1539, 1541, 1543, 1545, 1547, 1549, 1551, 1553, 1555, 1557, 1559, 1561, 1563, 1565, 1567, 1569, 1571, 1573, 1575, 1577, 1579, 1581, 1583, 1585, 1587, 1589, 1591, 1593, 1595, 1597, 1599, 1601, 1603, 1605, 1607, 1609, 1611, 1613, 1615, 1617, 1619, 1621, 1623, 1625, 1627, 1629, 1631, 1633, 1635, 1637, 1639, 1641, 1643, 1645, 1647, 1649, 1651, 1653, 1655, 1657, 1659, 1661, 1663, 1665, 1667, 1669, 1671, 1673, 1675, 1677, 1679, 1681, 1683, 1685, 1687, 1689, 1691, 1693, 1695, 1697, 1699, 1701, 1703, 1705, 1707, 1709, 1711, 1713, 1715, 1717, 1719, 1721, 1723, 1725, 1727, 1729, 1731, 1733, 1735, 1737, 1739, 1741, 1743, 1745, 1747, 1749, 1751, 1753, 1755, 1757, 1759, 1761, 1763, 1765, 1767, 1769, 1771, 1773, 1775, 1777, 1779, 1781, 1783, 1785, 1787, 1789, 1791, 1793, 1795, 1797, 1799, 1801, 1803, 1805, 1807, 1809, 1811, 1813, 1815, 1817, 1819, 1821, 1823, 1825, 1827, 1829, 1831, 1833, 1835, 1837, 1839, 1841, 1843, 1845, 1847, 1849, 1851, 1853, 1855, 1857, 1859, 1861, 1863, 1865, 1867, 1869, 1871, 1873, 1875, 1877, 1879, 1881, 1883, 1885, 1887, 1889, 1891, 1893, 1895, 1897, 1899, 1901, 1903, 1905, 1907, 1909, 1911, 1913, 1915, 1917, 1919, 1921, 1923, 1925, 1927, 1929, 1931, 1933, 1935, 1937, 1939, 1941, 1943, 1945, 1947, 1949, 1951, 1953, 1955, 1957, 1959, 1961, 1963, 1965, 1967, 1969, 1971, 1973, 1975, 1977, 1979, 1981, 1983, 1985, 1987, 1989, 1991, 1993, 1995, 1997, 1999, 2001, 2003, 2005, 2007, 2009, 2011, 2013, 2015, 2017, 2019, 2021, 2023, 2025, 2027, 2029, 2031, 2033, 2035, 2037, 2039, 2041, 2043, 2045, 2047, 2049, 2051, 2053, 2055, 2057, 2059, 2061, 2063, 2065, 2067, 2069, 2071, 2073, 2075, 2077, 2079, 2081, 2083, 2085, 2087, 2089, 2091, 2093, 2095, 2097, 2099, 2101, 2103, 2105, 2107, 2109, 2111, 2113, 2115, 2117, 2119, 2121, 2123, 2125, 2127, 2129, 2131, 2133, 2135, 2137, 2139, 2141, 2143, 2145, 2147, 2149, 2151, 2153, 2155, 2157, 2159, 2161, 2163, 2165, 2167, 2169, 2171, 2173, 2175, 2177, 2179, 2181, 2183, 2185, 2187, 2189, 2191, 2193, 2195, 2197, 2199, 2201, 2203, 2205, 2207, 2209, 2211, 2213, 2215, 2217, 2219, 2221, 2223, 2225, 2227, 2229, 2231, 2233, 2235, 2237, 2239, 2241, 2243, 2245, 2247, 2249, 2251, 2253, 2255, 2257, 2259, 2261, 2263, 2265, 2267, 2269, 2271, 2273, 2275, 2277, 2279, 2281, 2283, 2285, 2287, 2289, 2291, 2293, 2295, 2297, 2299, 2301, 2303, 2305, 2307, 2309, 2311, 2313, 2315, 2317, 2319, 2321, 2323, 2325, 2327, 2329, 2331, 2333, 2335, 2337, 2339, 2341, 2343, 2345, 2347, 2349, 2351, 2353, 2355, 2357, 2359, 2361, 2363, 2365, 2367, 2369, 2371, 2373, 2375, 2377, 2379, 2381, 2383, 2385, 2387, 2389, 2391, 2393, 2395, 2397, 2399, 2401, 2403, 2405, 2407, 2409, 2411, 2413, 2415, 2417, 2419, 2421, 2423, 2425, 2427, 2429, 2431, 2433, 2435, 2437, 2439, 2441, 2443, 2445, 2447, 2449, 2451, 2453, 2455, 2457, 2459, 2461, 2463, 2465, 2467, 2469, 2471, 2473, 2475, 2477, 2479, 2481, 2483, 2485, 2487, 2489, 2491, 2493, 2495, 2497, 2499, 2501, 2503, 2505, 2507, 2509, 2511, 2513, 2515, 2517, 2519, 2521, 2523, 2525, 2527, 2529, 2531, 2533, 2535, 2537, 2539, 2541, 2543, 2545, 2547, 2549, 2551, 2553, 2555, 2557, 2559, 2561, 2563, 2565, 2567, 2569, 2571, 2573, 2575, 2577, 2579, 2581, 2583, 2585, 2587, 2589, 2591, 2593, 2595, 2597, 2599, 2601, 2603, 2605, 2607, 2609, 2611, 2613, 2615, 2617, 2619, 2621, 2623, 2625, 2627, 2629, 2631, 2633, 2635, 2637, 2639, 2641, 2643, 2645, 2647, 2649, 2651, 2653, 2655, 2657, 2659, 2661, 2663, 2665, 2667, 2669, 2671, 2673, 2675, 2677, 2679, 2681, 2683, 2685, 2687, 2689, 2691, 2693, 2695, 2697, 2699, 2701, 2703, 2705, 2707, 2709, 2711, 2713, 2715, 2717, 2719, 2721, 2723, 2725, 2727, 2729, 2731, 2733, 2735, 2737, 2739, 2741, 2743, 2745, 2747, 2749, 2751, 2753, 2755, 2757, 2759, 2761, 2763, 2765, 2767, 2769, 2771, 2773, 2775, 2777, 2779, 2781, 2783, 2785, 2787, 2789, 2791, 2793, 2795, 2797, 2799, 2801, 2803, 2805, 2807, 2809, 2811, 2813, 2815, 2817, 2819, 2821, 2823, 2825, 2827, 2829, 2831, 2833, 2835, 2837, 2839, 2841, 2843, 2845, 2847, 2849, 2851, 2853, 2855, 2857, 2859, 2861, 2863, 2865, 2867, 2869, 2871, 2873, 2875, 2877, 2879, 2881, 2883, 2885, 2887, 2889, 2891, 2893, 2895, 2897, 2899, 2901, 2903, 2905, 2907, 2909, 2911, 2913, 2915, 2917, 2919, 2921, 2923, 2925, 2927, 2929, 2931, 2933, 2935, 2937, 2939, 2941, 2943, 2945, 2947, 2949, 2951, 2953, 2955, 2957, 2959, 2961, 2963, 2965, 2967, 2969, 2971, 2973, 2975, 2977, 2979, 2981, 2983, 2985, 2987, 2989, 2991, 2993, 2995, 2997, 2999, 3001, 3003, 3005, 3007, 3009, 3011, 3013, 3015, 3017, 3019, 3021, 3023, 3025, 3027, 3029, 3031, 3033, 3035, 3037, 3039, 3041, 3043, 3045, 3047, 3049, 3051, 3053, 3055, 3057, 3059, 3061, 3063, 3065, 3067, 3069, 3071, 3073, 3075, 3077, 3079, 3081, 3083, 3085, 3087, 3089, 3091, 3093, 3095, 3097, 3099, 3101, 3103, 3105, 3107, 3109, 3111, 3113, 3115, 3117, 3119, 3121, 3123, 3125, 3127, 3129, 3131, 3133, 3135, 3137, 3139, 3141, 3143, 3145, 3147, 3149, 3151, 3153, 3155, 3157, 3159, 3161, 3163, 3165, 3167, 3169, 3171, 3173, 3175, 3177, 3179, 3181, 3183, 3185, 3187, 3189, 3191, 3193, 3195, 3197, 3199, 3201, 3203, 3205, 3207, 3209, 3211, 3213, 3215, 3217, 3219, 3221, 3223, 3225, 3227, 3229, 3231, 3233, 3235, 3237, 3239, 3241, 3243, 3245, 3247, 3249, 3251, 3253, 3255, 3257, 3259, 3261, 3263, 3265, 3267, 3269, 3271, 3273, 3275, 3277, 3279, 3281, 3283, 3285, 3287, 3289, 3291, 3293, 3295, 3297, 3299, 3301, 3303, 3305, 3307, 3309, 3311, 3313, 3315, 3317, 3319, 3321, 3323, 3325, 3327, 3329, 3331, 3333, 3335, 3337, 3339, 3341, 3343, 3345, 3347, 3349, 3351, 3353, 3355, 3357, 3359, 3361, 3363, 3365, 3367, 3369, 3371, 3373, 3375, 3377, 3379, 3381, 3383, 3385, 3387, 3389, 3391, 3393, 3395, 3397, 3399, 3401, 3403, 3405, 3407, 3409, 3411, 3413, 3415, 3417, 3419, 3421, 3423, 3425, 3427, 3429, 3431, 3433, 3435, 3437, 3439, 3441, 3443, 3445, 3447, 3449, 3451, 3453, 3455, 3457, 3459, 3461, 3463, 3465, 3467, 3469, 3471, 3473, 3475, 3477, 3479, 3481, 3483, 3485, 3487, 3489, 3491, 3493, 3495, 3497, 3499, 3501, 3503, 3505, 3507, 3509, 3511, 3513, 3515, 3517, 3519, 3521, 3523, 3525, 3527, 3529, 3531, 3533, 3535, 3537, 3539, 3541, 3543, 3545, 3547, 3549, 3551, 3553, 3555, 3557, 3559, 3561, 3563, 3565, 3567, 3569, 3571, 3573, 3575, 3577, 3579, 3581, 3583, 3585, 3587, 3589, 3591, 3593, 3595, 3597, 3599, 3601, 3603, 3605, 3607, 3609, 3611, 3613, 3615, 3617, 3619, 3621, 3623, 3625, 3627, 3629, 3631, 3633, 3635, 3637, 3639, 3641, 3643, 3645, 3647, 3649, 3651, 3653, 3655, 3657, 3659, 3661, 3663, 3665, 3667, 3669, 3671, 3673, 3675, 3677, 3679, 3681, 3683, 3685, 3687, 3689, 3691, 3693, 3695, 3697, 3699, 3701, 3703, 3705, 3707, 3709, 3711, 3713, 3715, 3717, 3719, 3721, 3723, 3725, 3727, 3729, 3731, 3733, 3735, 3737, 3739, 3741, 3743, 3745, 3747, 3749, 3751, 3753, 3755, 3757, 3759, 3761, 3763, 3765, 3767, 3769, 3771, 3773, 3775, 3777, 3779, 3781, 3783, 3785, 3787, 3789, 3791, 3793, 3795, 3797, 3799, 3801, 3803, 3805, 3807, 3809, 3811, 3813, 3815, 3817, 3819, 3821, 3823, 3825, 3827, 3829, 3831, 3833, 3835, 3837, 3839, 3841, 3843, 3845, 3847, 3849, 3851, 3853, 3855, 3857, 3859, 3861, 3863, 3865, 3867, 3869, 3871, 3873, 38



B.D. REF :

ARCHITECT : **AGC DESIGN LTD**
 香港建築師學會
 101, 103, 105, 107, 109, 111, 113, 115, 117, 119, 121, 123, 125, 127, 129, 131, 133, 135, 137, 139, 141, 143, 145, 147, 149, 151, 153, 155, 157, 159, 161, 163, 165, 167, 169, 171, 173, 175, 177, 179, 181, 183, 185, 187, 189, 191, 193, 195, 197, 199, 201, 203, 205, 207, 209, 211, 213, 215, 217, 219, 221, 223, 225, 227, 229, 231, 233, 235, 237, 239, 241, 243, 245, 247, 249, 251, 253, 255, 257, 259, 261, 263, 265, 267, 269, 271, 273, 275, 277, 279, 281, 283, 285, 287, 289, 291, 293, 295, 297, 299, 301, 303, 305, 307, 309, 311, 313, 315, 317, 319, 321, 323, 325, 327, 329, 331, 333, 335, 337, 339, 341, 343, 345, 347, 349, 351, 353, 355, 357, 359, 361, 363, 365, 367, 369, 371, 373, 375, 377, 379, 381, 383, 385, 387, 389, 391, 393, 395, 397, 399, 401, 403, 405, 407, 409, 411, 413, 415, 417, 419, 421, 423, 425, 427, 429, 431, 433, 435, 437, 439, 441, 443, 445, 447, 449, 451, 453, 455, 457, 459, 461, 463, 465, 467, 469, 471, 473, 475, 477, 479, 481, 483, 485, 487, 489, 491, 493, 495, 497, 499, 501, 503, 505, 507, 509, 511, 513, 515, 517, 519, 521, 523, 525, 527, 529, 531, 533, 535, 537, 539, 541, 543, 545, 547, 549, 551, 553, 555, 557, 559, 561, 563, 565, 567, 569, 571, 573, 575, 577, 579, 581, 583, 585, 587, 589, 591, 593, 595, 597, 599, 601, 603, 605, 607, 609, 611, 613, 615, 617, 619, 621, 623, 625, 627, 629, 631, 633, 635, 637, 639, 641, 643, 645, 647, 649, 651, 653, 655, 657, 659, 661, 663, 665, 667, 669, 671, 673, 675, 677, 679, 681, 683, 685, 687, 689, 691, 693, 695, 697, 699, 701, 703, 705, 707, 709, 711, 713, 715, 717, 719, 721, 723, 725, 727, 729, 731, 733, 735, 737, 739, 741, 743, 745, 747, 749, 751, 753, 755, 757, 759, 761, 763, 765, 767, 769, 771, 773, 775, 777, 779, 781, 783, 785, 787, 789, 791, 793, 795, 797, 799, 801, 803, 805, 807, 809, 811, 813, 815, 817, 819, 821, 823, 825, 827, 829, 831, 833, 835, 837, 839, 841, 843, 845, 847, 849, 851, 853, 855, 857, 859, 861, 863, 865, 867, 869, 871, 873, 875, 877, 879, 881, 883, 885, 887, 889, 891, 893, 895, 897, 899, 901, 903, 905, 907, 909, 911, 913, 915, 917, 919, 921, 923, 925, 927, 929, 931, 933, 935, 937, 939, 941, 943, 945, 947, 949, 951, 953, 955, 957, 959, 961, 963, 965, 967, 969, 971, 973, 975, 977, 979, 981, 983, 985, 987, 989, 991, 993, 995, 997, 999, 1001, 1003, 1005, 1007, 1009, 1011, 1013, 1015, 1017, 1019, 1021, 1023, 1025, 1027, 1029, 1031, 1033, 1035, 1037, 1039, 1041, 1043, 1045, 1047, 1049, 1051, 1053, 1055, 1057, 1059, 1061, 1063, 1065, 1067, 1069, 1071, 1073, 1075, 1077, 1079, 1081, 1083, 1085, 1087, 1089, 1091, 1093, 1095, 1097, 1099, 1101, 1103, 1105, 1107, 1109, 1111, 1113, 1115, 1117, 1119, 1121, 1123, 1125, 1127, 1129, 1131, 1133, 1135, 1137, 1139, 1141, 1143, 1145, 1147, 1149, 1151, 1153, 1155, 1157, 1159, 1161, 1163, 1165, 1167, 1169, 1171, 1173, 1175, 1177, 1179, 1181, 1183, 1185, 1187, 1189, 1191, 1193, 1195, 1197, 1199, 1201, 1203, 1205, 1207, 1209, 1211, 1213, 1215, 1217, 1219, 1221, 1223, 1225, 1227, 1229, 1231, 1233, 1235, 1237, 1239, 1241, 1243, 1245, 1247, 1249, 1251, 1253, 1255, 1257, 1259, 1261, 1263, 1265, 1267, 1269, 1271, 1273, 1275, 1277, 1279, 1281, 1283, 1285, 1287, 1289, 1291, 1293, 1295, 1297, 1299, 1301, 1303, 1305, 1307, 1309, 1311, 1313, 1315, 1317, 1319, 1321, 1323, 1325, 1327, 1329, 1331, 1333, 1335, 1337, 1339, 1341, 1343, 1345, 1347, 1349, 1351, 1353, 1355, 1357, 1359, 1361, 1363, 1365, 1367, 1369, 1371, 1373, 1375, 1377, 1379, 1381, 1383, 1385, 1387, 1389, 1391, 1393, 1395, 1397, 1399, 1401, 1403, 1405, 1407, 1409, 1411, 1413, 1415, 1417, 1419, 1421, 1423, 1425, 1427, 1429, 1431, 1433, 1435, 1437, 1439, 1441, 1443, 1445, 1447, 1449, 1451, 1453, 1455, 1457, 1459, 1461, 1463, 1465, 1467, 1469, 1471, 1473, 1475, 1477, 1479, 1481, 1483, 1485, 1487, 1489, 1491, 1493, 1495, 1497, 1499, 1501, 1503, 1505, 1507, 1509, 1511, 1513, 1515, 1517, 1519, 1521, 1523, 1525, 1527, 1529, 1531, 1533, 1535, 1537, 1539, 1541, 1543, 1545, 1547, 1549, 1551, 1553, 1555, 1557, 1559, 1561, 1563, 1565, 1567, 1569, 1571, 1573, 1575, 1577, 1579, 1581, 1583, 1585, 1587, 1589, 1591, 1593, 1595, 1597, 1599, 1601, 1603, 1605, 1607, 1609, 1611, 1613, 1615, 1617, 1619, 1621, 1623, 1625, 1627, 1629, 1631, 1633, 1635, 1637, 1639, 1641, 1643, 1645, 1647, 1649, 1651, 1653, 1655, 1657, 1659, 1661, 1663, 1665, 1667, 1669, 1671, 1673, 1675, 1677, 1679, 1681, 1683, 1685, 1687, 1689, 1691, 1693, 1695, 1697, 1699, 1701, 1703, 1705, 1707, 1709, 1711, 1713, 1715, 1717, 1719, 1721, 1723, 1725, 1727, 1729, 1731, 1733, 1735, 1737, 1739, 1741, 1743, 1745, 1747, 1749, 1751, 1753, 1755, 1757, 1759, 1761, 1763, 1765, 1767, 1769, 1771, 1773, 1775, 1777, 1779, 1781, 1783, 1785, 1787, 1789, 1791, 1793, 1795, 1797, 1799, 1801, 1803, 1805, 1807, 1809, 1811, 1813, 1815, 1817, 1819, 1821, 1823, 1825, 1827, 1829, 1831, 1833, 1835, 1837, 1839, 1841, 1843, 1845, 1847, 1849, 1851, 1853, 1855, 1857, 1859, 1861, 1863, 1865, 1867, 1869, 1871, 1873, 1875, 1877, 1879, 1881, 1883, 1885, 1887, 1889, 1891, 1893, 1895, 1897, 1899, 1901, 1903, 1905, 1907, 1909, 1911, 1913, 1915, 1917, 1919, 1921, 1923, 1925, 1927, 1929, 1931, 1933, 1935, 1937, 1939, 1941, 1943, 1945, 1947, 1949, 1951, 1953, 1955, 1957, 1959, 1961, 1963, 1965, 1967, 1969, 1971, 1973, 1975, 1977, 1979, 1981, 1983, 1985, 1987, 1989, 1991, 1993, 1995, 1997, 1999, 2001, 2003, 2005, 2007, 2009, 2011, 2013, 2015, 2017, 2019, 2021, 2023, 2025, 2027, 2029, 2031, 2033, 2035, 2037, 2039, 2041, 2043, 2045, 2047, 2049, 2051, 2053, 2055, 2057, 2059, 2061, 2063, 2065, 2067, 2069, 2071, 2073, 2075, 2077, 2079, 2081, 2083, 2085, 2087, 2089, 2091, 2093, 2095, 2097, 2099, 2101, 2103, 2105, 2107, 2109, 2111, 2113, 2115, 2117, 2119, 2121, 2123, 2125, 2127, 2129, 2131, 2133, 2135, 2137, 2139, 2141, 2143, 2145, 2147, 2149, 2151, 2153, 2155, 2157, 2159, 2161, 2163, 2165, 2167, 2169, 2171, 2173, 2175, 2177, 2179, 2181, 2183, 2185, 2187, 2189, 2191, 2193, 2195, 2197, 2199, 2201, 2203, 2205, 2207, 2209, 2211, 2213, 2215, 2217, 2219, 2221, 2223, 2225, 2227, 2229, 2231, 2233, 2235, 2237, 2239, 2241, 2243, 2245, 2247, 2249, 2251, 2253, 2255, 2257, 2259, 2261, 2263, 2265, 2267, 2269, 2271, 2273, 2275, 2277, 2279, 2281, 2283, 2285, 2287, 2289, 2291, 2293, 2295, 2297, 2299, 2301, 2303, 2305, 2307, 2309, 2311, 2313, 2315, 2317, 2319, 2321, 2323, 2325, 2327, 2329, 2331, 2333, 2335, 2337, 2339, 2341, 2343, 2345, 2347, 2349, 2351, 2353, 2355, 2357, 2359, 2361, 2363, 2365, 2367, 2369, 2371, 2373, 2375, 2377, 2379, 2381, 2383, 2385, 2387, 2389, 2391, 2393, 2395, 2397, 2399, 2401, 2403, 2405, 2407, 2409, 2411, 2413, 2415, 2417, 2419, 2421, 2423, 2425, 2427, 2429, 2431, 2433, 2435, 2437, 2439, 2441, 2443, 2445, 2447, 2449, 2451, 2453, 2455, 2457, 2459, 2461, 2463, 2465, 2467, 2469, 2471, 2473, 2475, 2477, 2479, 2481, 2483, 2485, 2487, 2489, 2491, 2493, 2495, 2497, 2499, 2501, 2503, 2505, 2507, 2509, 2511, 2513, 2515, 2517, 2519, 2521, 2523, 2525, 2527, 2529, 2531, 2533, 2535, 2537, 2539, 2541, 2543, 2545, 2547, 2549, 2551, 2553, 2555, 2557, 2559, 2561, 2563, 2565, 2567, 2569, 2571, 2573, 2575, 2577, 2579, 2581, 2583, 2585, 2587, 2589, 2591, 2593, 2595, 2597, 2599, 2601, 2603, 2605, 2607, 2609, 2611, 2613, 2615, 2617, 2619, 2621, 2623, 2625, 2627, 2629, 2631, 2633, 2635, 2637, 2639, 2641, 2643, 2645, 2647, 2649, 2651, 2653, 2655, 2657, 2659, 2661, 2663, 2665, 2667, 2669, 2671, 2673, 2675, 2677, 2679, 2681, 2683, 2685, 2687, 2689, 2691, 2693, 2695, 2697, 2699, 2701, 2703, 2705, 2707, 2709, 2711, 2713, 2715, 2717, 2719, 2721, 2723, 2725, 2727, 2729, 2731, 2733, 2735, 2737, 2739, 2741, 2743, 2745, 2747, 2749, 2751, 2753, 2755, 2757, 2759, 2761, 2763, 2765, 2767, 2769, 2771, 2773, 2775, 2777, 2779, 2781, 2783, 2785, 2787, 2789, 2791, 2793, 2795, 2797, 2799, 2801, 2803, 2805, 2807, 2809, 2811, 2813, 2815, 2817, 2819, 2821, 2823, 2825, 2827, 2829, 2831, 2833, 2835, 2837, 2839, 2841, 2843, 2845, 2847, 2849, 2851, 2853, 2855, 2857, 2859, 2861, 2863, 2865, 2867, 2869, 2871, 2873, 2875, 2877, 2879, 2881, 2883, 2885, 2887, 2889, 2891, 2893, 2895, 2897, 2899, 2901, 2903, 2905, 2907, 2909, 2911, 2913, 2915, 2917, 2919, 2921, 2923, 2925, 2927, 2929, 2931, 2933, 2935, 2937, 2939, 2941, 2943, 2945, 2947, 2949, 2951, 2953, 2955, 2957, 2959, 2961, 2963, 2965, 2967, 2969, 2971, 2973, 2975, 2977, 2979, 2981, 2983, 2985, 2987, 2989, 2991, 2993, 2995, 2997, 2999, 3001, 3003, 3005, 3007, 3009, 3011, 3013, 3015, 3017, 3019, 3021, 3023, 3025, 3027, 3029, 3031, 3033, 3035, 3037, 3039, 3041, 3043, 3045, 3047, 3049, 3051, 3053, 3055, 3057, 3059, 3061, 3063, 3065, 3067, 3069, 3071, 3073, 3075, 3077, 3079, 3081, 3083, 3085, 3087, 3089, 3091, 3093, 3095, 3097, 3099, 3101, 3103, 3105, 3107, 3109, 3111, 3113, 3115, 3117, 3119, 3121, 3123, 3125, 3127, 3129, 3131, 3133, 3135, 3137, 3139, 3141, 3143, 3145, 3147, 3149, 3151, 3153, 3155, 3157, 3159, 3161, 3163, 3165, 3167, 3169, 3171, 3173, 3175, 3177, 3179, 3181, 3183, 3185, 3187, 3189, 3191, 3193, 3195, 3197, 3199, 3201, 3203, 3205, 3207, 3209, 3211, 3213, 3215, 3217, 3219, 3221, 3223, 3225, 3227, 3229, 3231, 3233, 3235, 3237, 3239, 3241, 3243, 3245, 3247, 3249, 3251, 3253, 3255, 3257, 3259, 3261, 3263, 3265, 3267, 3269, 3271, 3273, 3275, 3277, 3279, 3281, 3283, 3285, 3287, 3289, 3291, 3293, 3295, 3297, 3299, 3301, 3303, 3305, 3307, 3309, 3311, 3313, 3315, 3317, 3319, 3321, 3323, 3325, 3327, 3329, 3331, 3333, 3335, 3337, 3339, 3341, 3343, 3345, 3347, 3349, 3351, 3353, 3355, 3357, 3359, 3361, 3363, 3365, 3367, 3369, 3371, 3373, 3375, 3377, 3379, 3381, 3383, 3385, 3387, 3389, 3391, 3393, 3395, 3397, 3399, 3401, 3403, 3405, 3407, 3409, 3411, 3413, 3415, 3417, 3419, 3421, 3423, 3425, 3427, 3429, 3431, 3433, 3435, 3437, 3439, 3441, 3443, 3445, 3447, 3449, 3451, 3453, 3455, 3457, 3459, 3461, 3463, 3465, 3467, 3469, 3471, 3473, 3475, 3477, 3479, 3481, 3483, 3485, 3487, 3489, 3491, 3493, 3495, 3497, 3499, 3501, 3503, 3505, 3507, 3509, 3511, 3513, 3515, 3517, 3519, 3521, 3523, 3525, 3527, 3529, 3531, 3533, 3535, 3537, 3539, 3541, 3543, 3545, 3547, 3549, 3551, 3553, 3555, 3557, 3559, 3561, 3563, 3565, 3567, 3569, 3571, 3573, 3575, 3577, 3579, 3581, 3583, 3585, 3587, 3589, 3591, 3593, 3595, 3597, 3599, 3601, 3603, 3605, 3607, 3609, 3611, 3613, 3615, 3617, 3619, 3621, 3623, 3625, 3627, 3629, 3631, 3633, 3635, 3637, 3639, 3641, 3643, 3645, 3647, 3649, 3651, 3653, 3655, 3657, 3659, 3661, 3663, 3665, 3667, 3669, 3671, 3673, 3675, 3677, 3679, 3681, 3683, 3685, 3687, 3689, 3691, 3693, 3695, 3697, 3699, 3701, 3703, 3705, 3707, 3709, 3711, 3713, 3715, 3717, 3719, 3721, 3723, 3725, 3727, 3729, 3731, 3733, 3735, 3737, 3739, 3741, 3743, 3745, 3747, 3749, 3751, 3753, 3755, 3757, 3759, 3761, 3763, 3765, 3767, 3769, 3771, 3773, 3775, 3777, 3779, 3781, 3783, 3785, 3787, 3789, 3791, 3793, 3795, 3797, 3799, 3801, 3803, 3805, 3807, 3809, 3811, 3813, 3