



工程指示 / 要求簡箋(E.I.)

工程指示編號：EI / 9984 / 18

修改版次：-

工程編號：J - 837

工程名稱：觀塘裕民坊

工程項目：幕牆 預留碼 (27/F 用)

收件人：Maggie

發件人：Eric Liu

日期：30/11/2018

要求提供 / 確認 事項：

- | | | |
|------------------------------------|-------------------------------------|-------------------------------|
| <input type="checkbox"/> 初步鋁料 B.M. | <input type="checkbox"/> 加工拆圖，然後生產 | <input type="checkbox"/> 尺寸表 |
| <input type="checkbox"/> 正式鋁料 B.M. | <input type="checkbox"/> 技術上資料 / 指示 | <input type="checkbox"/> 報價 |
| <input type="checkbox"/> 配件 B.M. | <input type="checkbox"/> 樣辦或貨品說明書 | <input type="checkbox"/> 分判合約 |
| <input type="checkbox"/> 其他：_____ | | |

內容：

請按 B.M. 訂購預留碼送地盤使用(27/F)(E02,E06,E07)

請留意： 1) 地盤: 27/F 有 2 浸碼，150 R.C. 用短腳款(E02,E06,E07)

2) 永林: 此 BM 只訂 27/F E02,E06,E07，其餘未計算

欠 27,28,R/F 預留碼數量，請補回

3) 按 EI9536C，3 號大圖更新 B.M.

謝謝！

請在 2018/ 12 / 21 前完成上列要求。

附：1 頁 B.M.+12 頁

以上項目為：

- 原合約工程包 原合約工程加 / 減賬 新工程報價

原因：-

分發東莞各部門：

- () 生產技術總監 連附件 技術部 連附件 物料 () 生產部 連附件 () 機械設計部 連附件
 () 採購部 連附件 () 生產統籌部 連附件
 () 質檢部 連附件 () 會計部 連附件 () 報關組 連附件 () 其他 楊榮輝 連附件

分發其他分判：
() 王禮秋 連附件

分發香港各部門：

- () 行政部 連附件 () 會計部 連附件 () 統籌部 連附件 工程部地盤科文 連附件 楊榮輝
 採購部 連附件 () QS 部 連附件 () 維修部 連附件 () 其他 _____ 連附件

傳遞編號：

HK 1830 / 18

發件人簽署：

項目經理簽署：

 美特鋁質 有限公司 MIDI Aluminium Fabricator Ltd.	工程號:	J-837	計算:		日期:		送呈:	
	地盤名稱:	觀塘裕民坊	核對:		日期:		副本:	
	地盤用鐵件BM表	項目類別:	幕牆 (預埋碼)	批准:		日期:		
BM編號:	837-CW-M01-S-PP01	修改版次:	EI9984	A/C Code:		鐵件總重量KG:	1334.49	

序號	修改內容	鐵件圖號	鐵件名稱	顏色	實用	後備	總數	單位	單件/件 (kg)	總重量 (kg)	備注
1		E02	HILTI CHANNEL HAC-50 350F	熱浸鋅	323	17	340	件	1.85	628.8	
2	暫停	HILTI HBC-C	M16x80mm長T型螺絲(Grade 8.8)	熱浸鋅			0	件			
3		E06	M16螺紋鋼(GR.8.8)+3mm 鐵片 (GR.S275)	熱浸鋅	159	6	165	件	2.83	466.3	
4			60x60x10mm介子(GR.S275) (E06 款用)	熱浸鋅	318	12	330	件	0.70	229.5	
5		E07	M16螺紋鋼(GR.8.8)+3mm 鐵片 (GR.S275)	熱浸鋅	2	1	3	件	2.16	6.5	轉角企用
6			60x60x10mm介子(GR.S275) (E07 款用)	熱浸鋅	4	2	6	件	0.57	3.4	
7			M16 鐵彈介	熱浸鋅	322	14	336	件			E06,E07款用
8			M16 鐵螺母(GR.10)	熱浸鋅	1288	56	1344	粒			E06,E07款用
9			M16鐵平介	熱浸鋅	322	14	336	件			E06,E07款用
10			合計:				2860			1334.5	

數據表
參考用

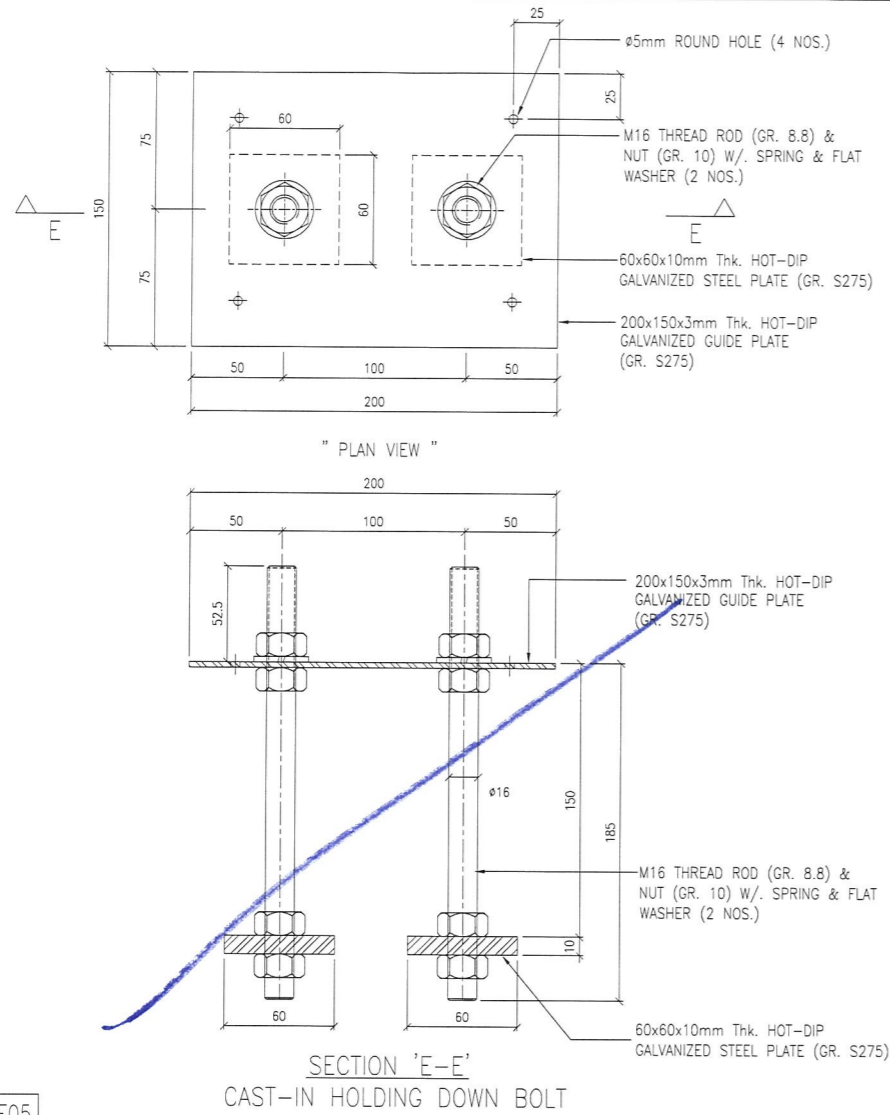
T1 27/F		T2 27/F		T3 27/F		T5 27/F	
E02	E06	E02	E06	E02	E06	E02	E06
5	3	12	5	9	5	5	3
5	3	6	2	3	2	4	2
5	3	6	2	3	2	2	2
9	4	6	2	11	5	11	5
9	4	9	4	7	3	7	3
6	2	5	3	5	3	9	5
10	3	5	3	5	3	9	5
5	3	5	3	5	4	3	2
6	2	3	2	5	2	3	2
7	3	4	2	6	2	9	5
10	3	9	5	5	3	5	3
7	3	9	4	9	5	5	3
5	3	5	1			5	3
89	39	84	38	73	39	77	43

HAC-50 維修 - 轉印

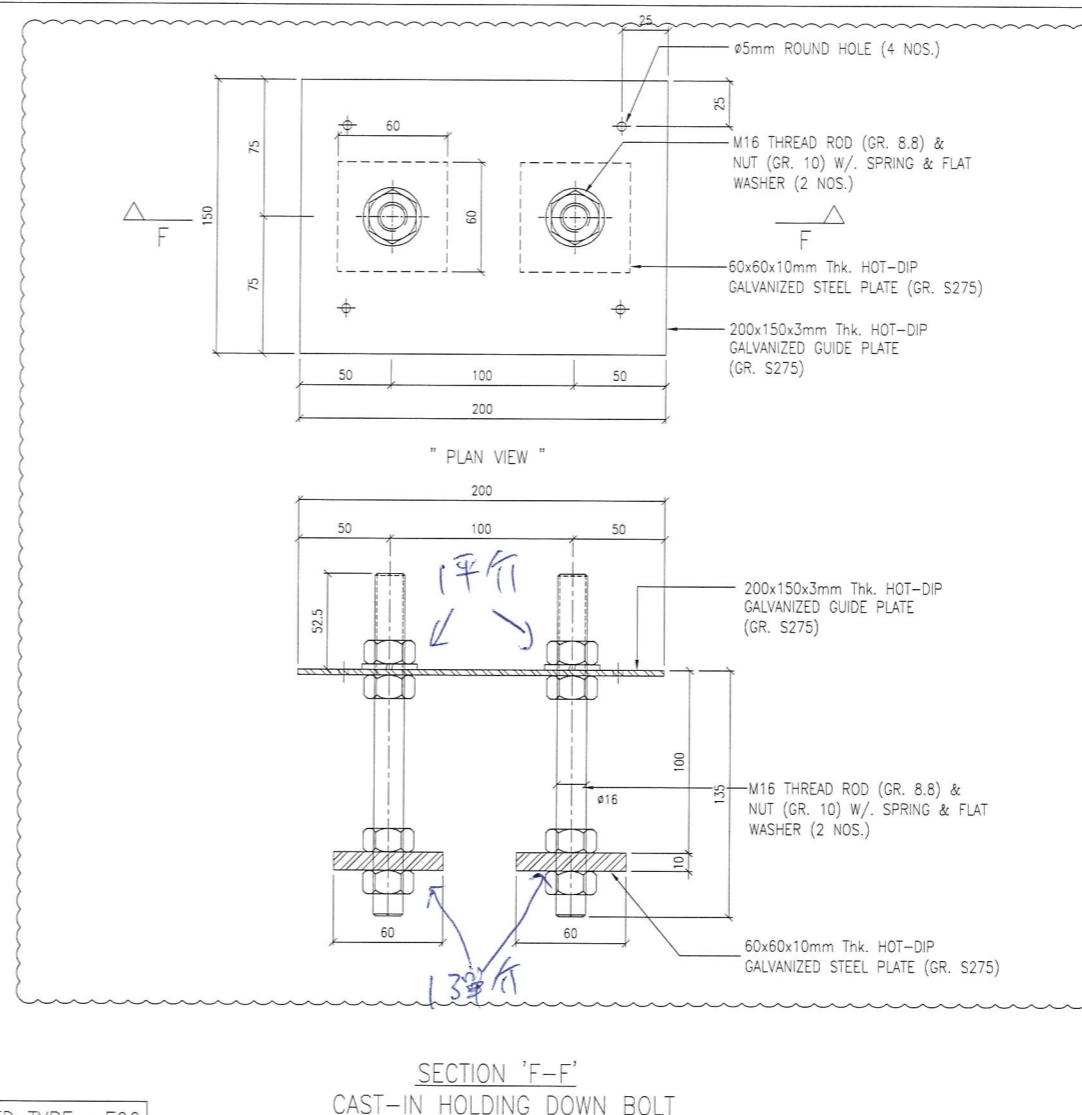
E02	E06	E07
323	159	2

(T1B, T3H)

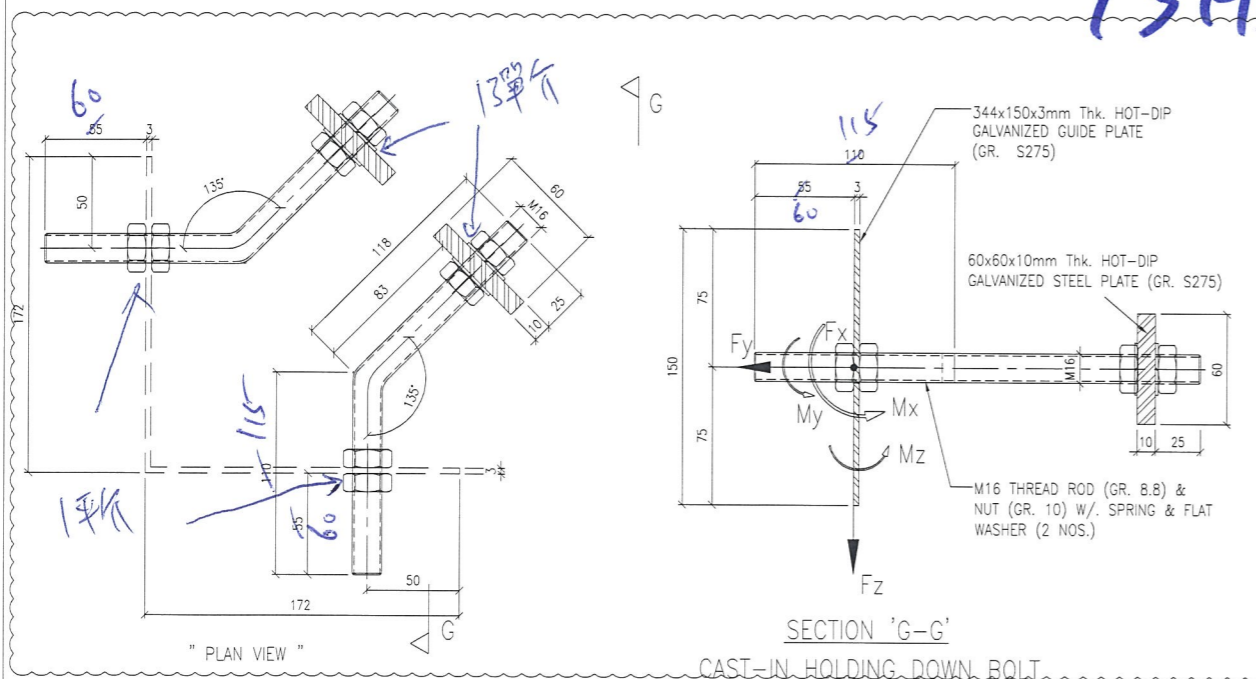
+17 +6 +1



EMBED TYPE : E05



EMBED TYPE : E06



EMBED TYPE : E07

B.D. REF :

CLIENT :

信和置業有限公司
Sino Land Company Limited

ARCHITECT :

WONG TUNG & PARTNERS LIMITED
ARCHITECTS & PLANNERS

MAIN CONTRACTOR :

CR Construction Company Limited

STRUCTURAL ENGINEER :

AECOM

FACADE CONSULTANT:

AECOM

NOTE :

1. ALL DIMENSIONS ARE IN mm.
2. ALL ELEVATIONS ARE VIEWED FROM OUTSIDE.
3. ALL DIMENSIONS TO BE VERIFIED ON SITE BEFORE FABRICATION.

LEGEND :

- x1 — DETAIL MARK NO.
- x001 — REFER SHEET NO.

1. F.F.L. -- FINISHED FLOOR LEVEL
2. S.F.L. -- STRUCTURAL FLOOR LEVEL
3. (R) -- REVERSED DETAIL

A	10/9/2018	GENERAL REVISED
NO.	DATE	REVISD
		BY

JOB NO. : J-837

PROJECT :
URA KWUN TONG TOWN CENTRE
REDEVELOPMENT (AREA 2 & 3) AT
NKIL 6514, KWUN TONG, KWLOON

TITLE :
CAST IN CHANNEL &
EMBED TYPICAL DETAILS
FOR CURTAIN WALL

DATE : 04-JUL-18 SCALE : 1:2 (A1)

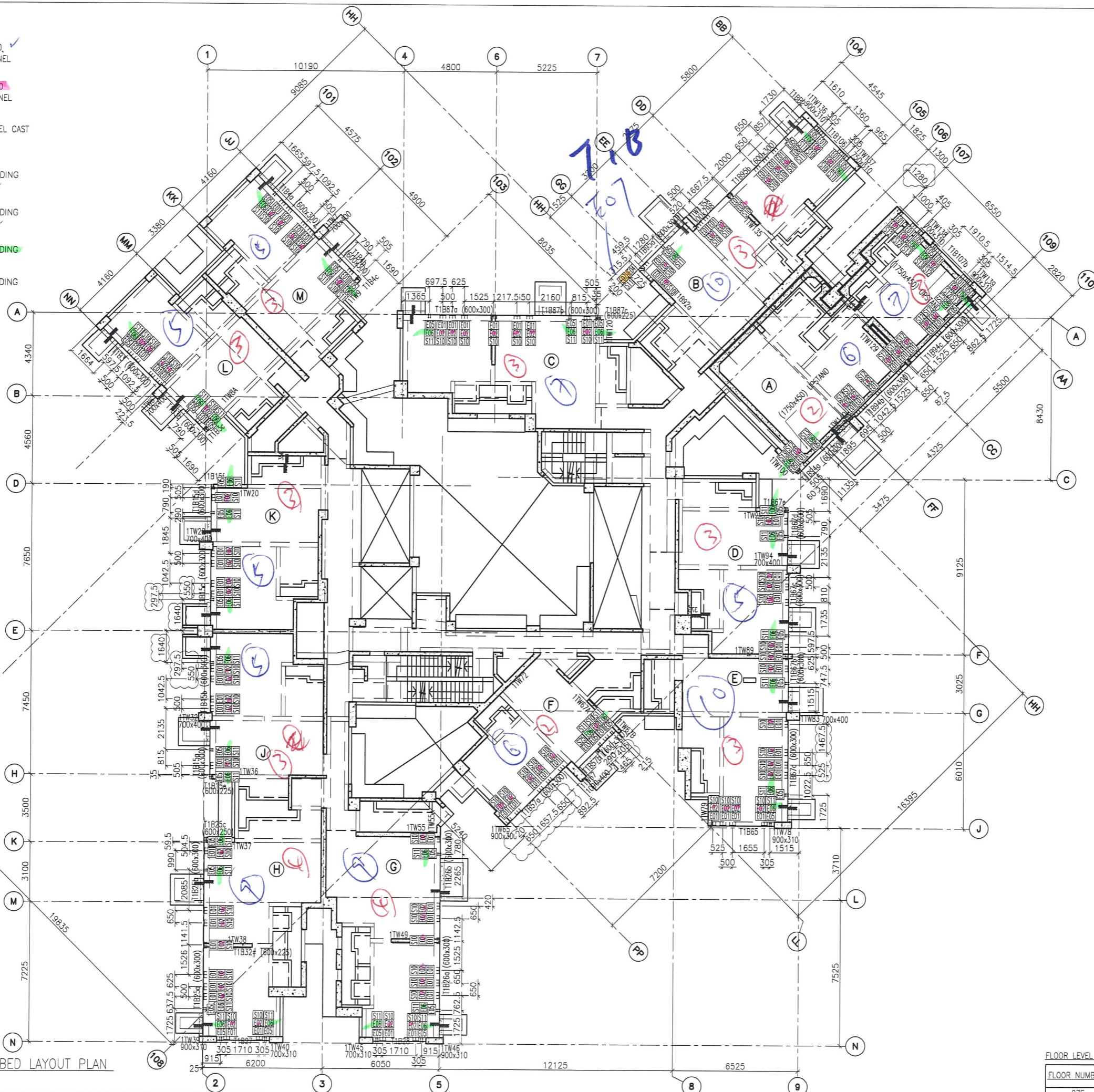
DRAWN BY : ASING CHECKED BY : -

美特鋁質有限公司
MIDI ALUMINIUM FABRICATOR LTD.
Units 6-8, Sunray Industrial Centre, 1/F
610 Cha Kwo Ling Road, Kowloon
Tel: 23489211-4 Fax: (852) 27727666






DWG NO. : J837-CW-EDD02 REV. : A

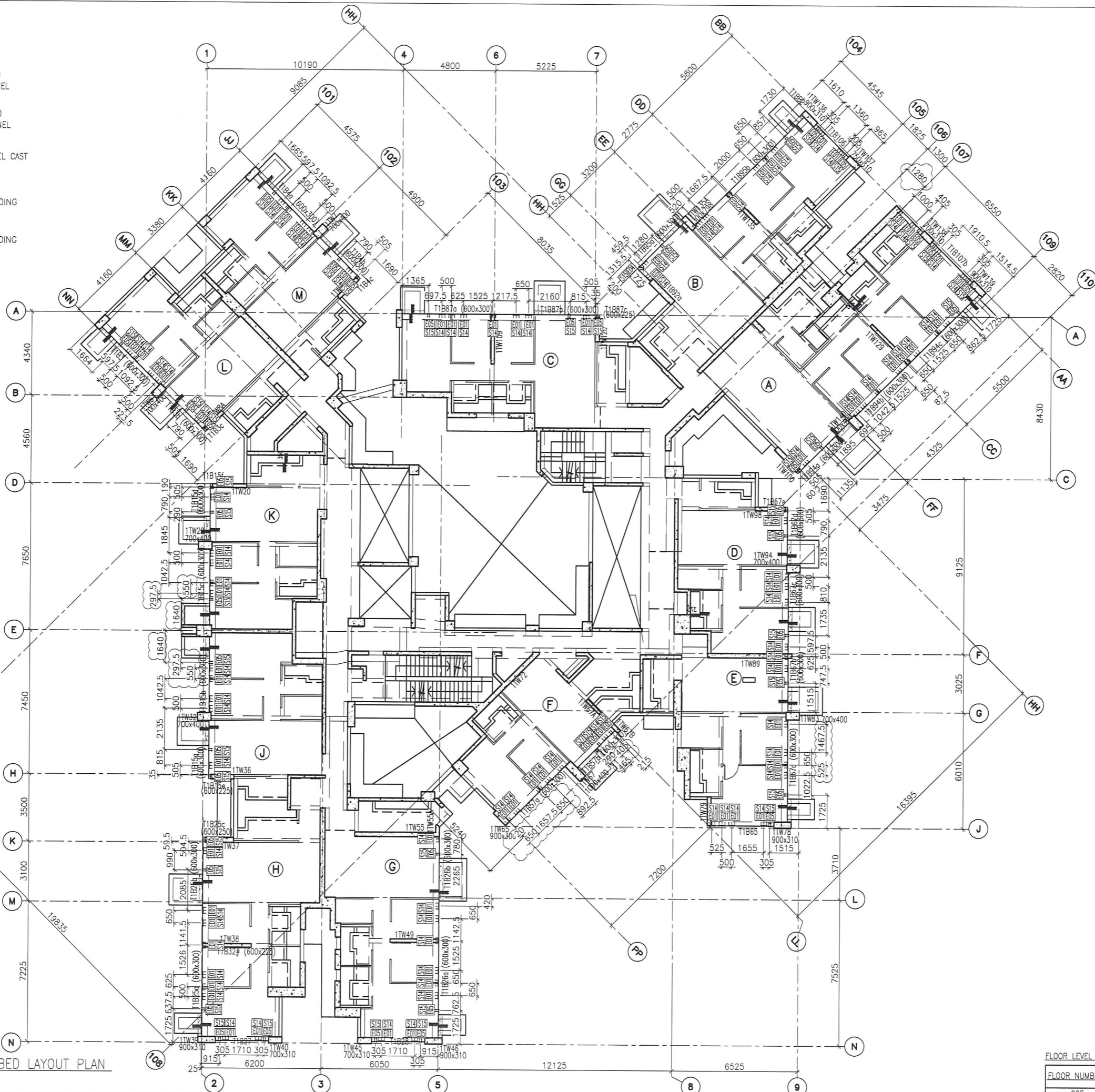
LEGEND :

- E01 = HILIT, HAC-70, CAST IN CHANNEL
- E02 = HILIT, HAC-50, CAST IN CHANNEL
- E03 = GAL. MILD STEEL CAST IN EMBED
- E04 = CAST-IN HOLDING DOWN BOLT
- E05 = CAST-IN HOLDING DOWN BOLT
- E06 = CAST-IN HOLDING DOWN BOLT
- E07 = CAST-IN HOLDING DOWN BOLT



LEGEND :

-  E01 = HILIT, HAC-70 CAST IN CHANNEL
-  E02 = HILIT, HAC-50 CAST IN CHANNEL
-  E03 = GAL. MILD STEEL CAST IN EMBED
-  E04 = CAST-IN HOLDING DOWN BOLT
-  E05 = CAST-IN HOLDING DOWN BOLT



1 28TH FLOOR EMBED LAYOUT PLAN AT TOWER 1


FLOOR LEVEL (S.F.L.)(T1)

FLOOR NUMBERING	LEVEL (mPD)
28F	+99.100

B.D. REF :

CLIENT :
 信和置業有限公司
 Sino Land Company Limited

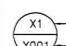

ARCHITECT :
 WONG TUNG & PARTNERS LIMITED
 ARCHITECTS & PLANNERS

MAIN CONTRACTOR :
 CR Construction Company Limited

STRUCTURAL ENGINEER :
 AECOM

FAÇADE CONSULTANT:
 AECOM

NOTE :
 1. ALL DIMENSIONS ARE IN mm.
 2. ALL ELEVATIONS ARE VIEWED FROM OUTSIDE.
 3. ALL DIMENSIONS TO BE VERIFIED ON SITE BEFORE FABRICATION.

LEGEND :
 X1 --- DETAIL MARK NO.
 X001 --- REFER SHEET NO.
 1. F.F.L. --- FINISHED FLOOR LEVEL
 2. S.F.L. --- STRUCTURAL FLOOR LEVEL
 3. (R) --- REVERSED DETAIL

NO.	DATE	REVISED	BY
C	08/11/2018	GENERAL REVISED	
B	13/10/2018	GENERAL REVISED	
A	14/9/2018	GENERAL REVISED	

JOB NO. : J-837
 PROJECT :
 URA KWUN TONG TOWN CENTRE
 REDEVELOPMENT (AREA 2 & 3) AT
 NKIL 6514, KWUN TONG, KWLOON


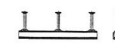




TITLE :
 28TH FLOOR EMBED LAYOUT PLAN
 OF CURTAIN WALL
 AT TOWER 1

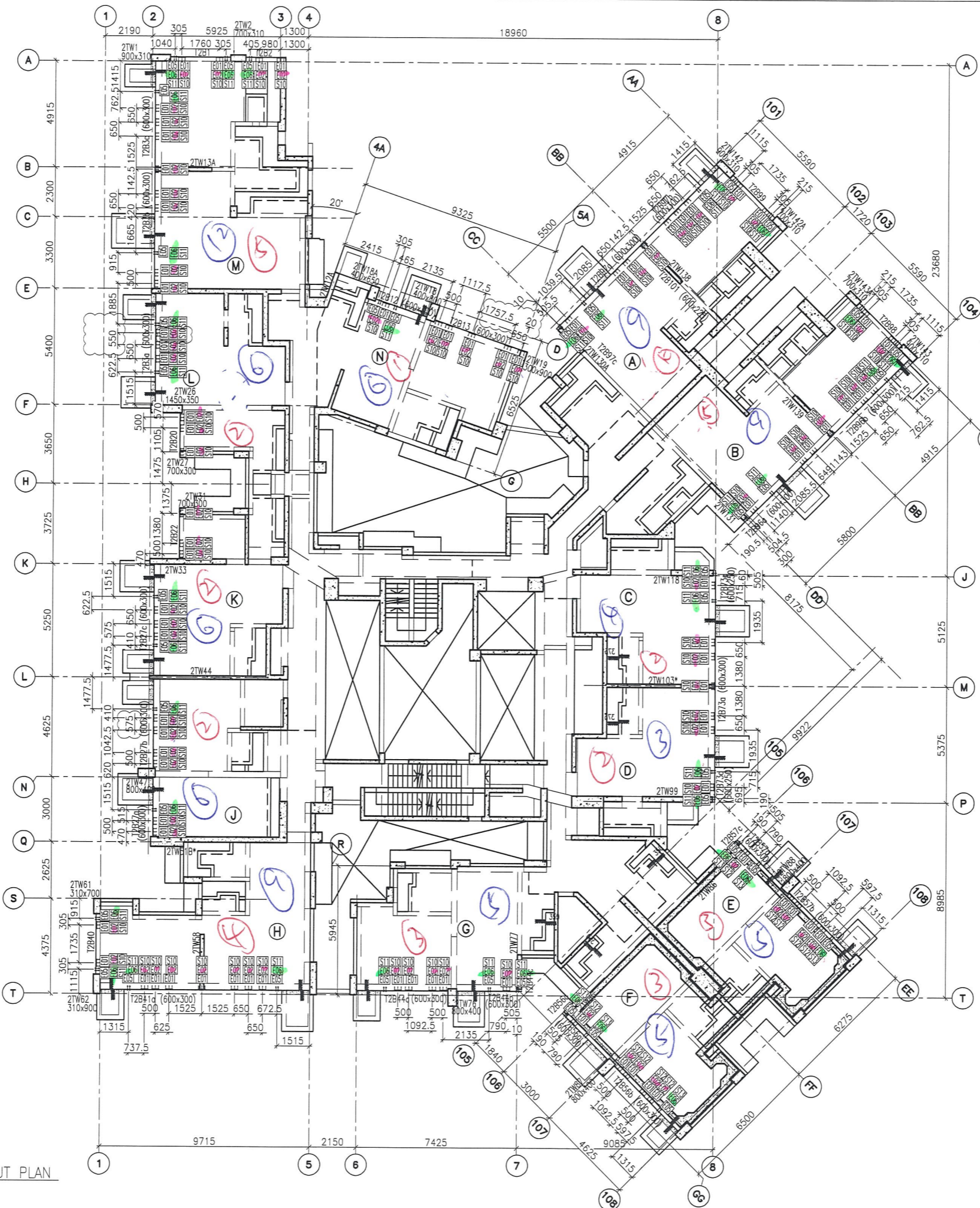
DATE : 10-SEP-18 SCALE : 1:100 (A1)
 DRAWN BY : ASING CHECKED BY : -

 美特鋁質有限公司
 MIDI ALUMINIUM FABRICATOR LTD.
 Units 6-8, Sunray Industrial Centre, 1/F
 610 Cho Kwo Ling Road, Kowloon
 Tel: 23489211-4 Fax: (852) 2727666

DWG NO. : JB37-CW-1104 REV. : C

LEGEND :

-  E01 = HILT, HAC-70
CAST IN CHANNEL
-  E02 = HILT, HAC-50
CAST IN CHANNEL
-  E04 = CAST-IN HOLDING
DOWN BOLT
-  E05 = CAST-IN HOLDING
DOWN BOLT
-  E06 = CAST-IN HOLDING
DOWN BOLT
-  E07 = CAST-IN HOLDING
DOWN BOLT



1 27TH FLOOR EMBED LAYOUT PLAN
- AT TOWER 2


FLOOR LEVEL (S.F.L.)(T2)

FLOOR NUMBERING	LEVEL (mPD)
27F	+95.95

B.D. REF :
E02 2025
E06 38

CLIENT :
 信和置業有限公司
Sino Land Company Limited




ARCHITECT :
WONG TUNG & PARTNERS LIMITED
ARCHITECTS & PLANNERS


MAIN CONTRACTOR :
 CR Construction Company Limited

STRUCTURAL ENGINEER :
 AECOM

FAÇADE CONSULTANT :
 AECOM

- NOTE :
- ALL DIMENSIONS ARE IN mm.
 - ALL ELEVATIONS ARE VIEWED FROM OUTSIDE.
 - ALL DIMENSIONS TO BE VERIFIED ON SITE BEFORE FABRICATION.

- LEGEND :
-  X1 --- DETAIL MARK NO.
 -  X001 --- REFER SHEET NO.
 - 1. F.F.L. --- FINISHED FLOOR LEVEL
 - 2. S.F.L. --- STRUCTURAL FLOOR LEVEL
 - 3.  R --- REVERSED DETAIL

NO.	DATE	REVISED	BY
D	08/11/2018	GENERAL REVISED	
C	8/10/2018	GENERAL REVISED	
B	28/9/2018	GENERAL REVISED	
A	07/9/2018	GENERAL REVISED	

JOB NO. : J-837
PROJECT :
URA KWUN TONG TOWN CENTRE
REDEVELOPMENT (AREA 2 & 3) AT
NKIL 6514, KWUN TONG, KWLOON

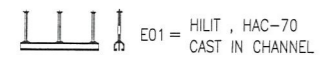
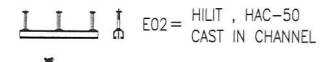
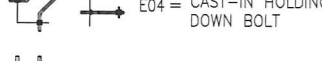

TITLE :
27TH FLOOR EMBED LAYOUT PLAN
OF CURTAIN WALL
AT TOWER 2

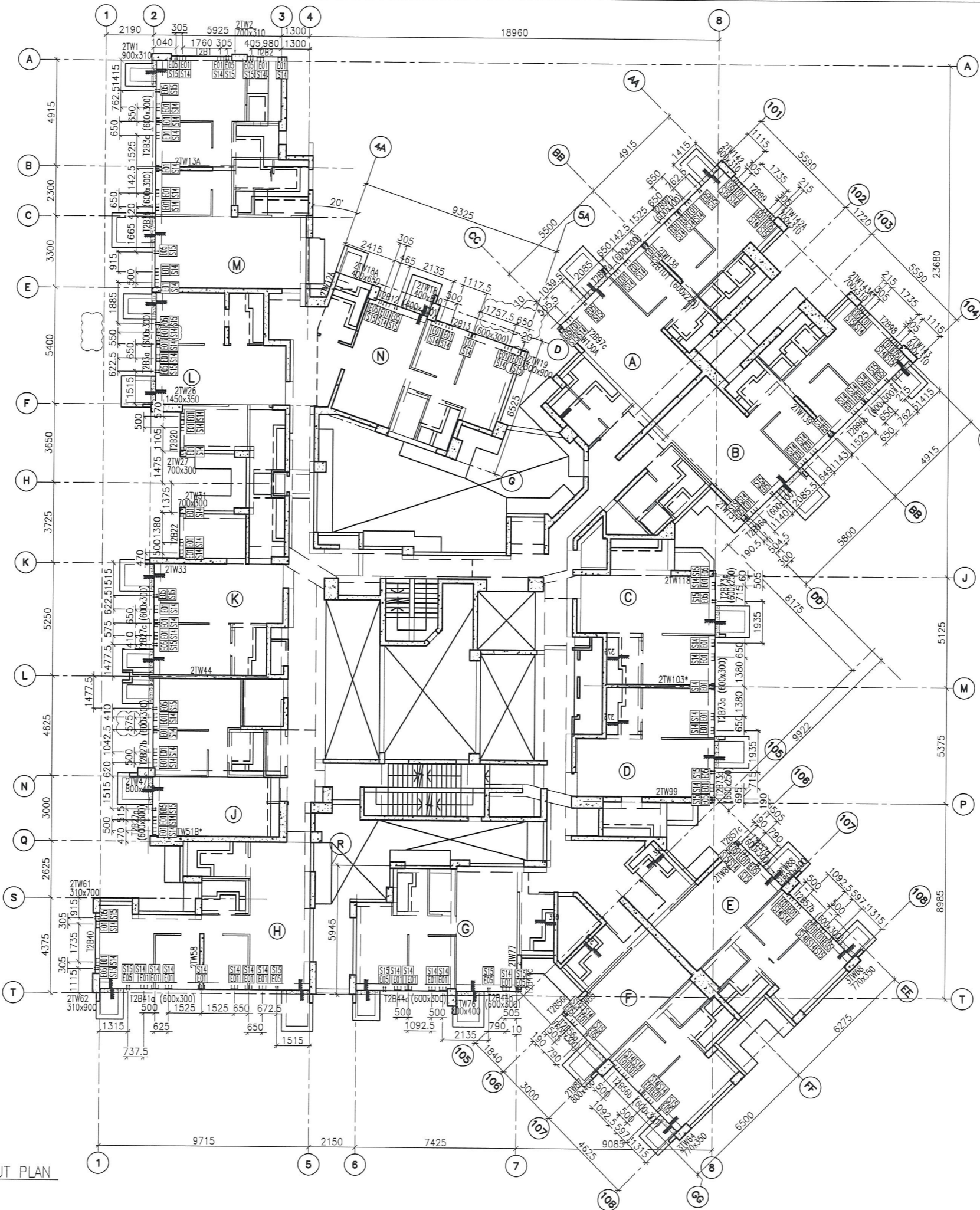
DATE : 10-SEP-18 SCALE : 1:100 (A1)
DRAWN BY : ASING CHECKED BY : -

 美特鋁質有限公司
MIDI ALUMINIUM FABRICATOR LTD.
Units 6-8, Sunray Industrial Centre, 1/F
610 Cha Kwo Ling Road, Kowloon
Tel:23489211-4 Fax:(852)2727666

DWG NO. : J837-CW-1203 REV. : D

LEGEND :

-  E01 = HILIT, HAC-70
CAST IN CHANNEL
-  E02 = HILIT, HAC-50
CAST IN CHANNEL
-  E04 = CAST-IN HOLDING
DOWN BOLT
-  E05 = CAST-IN HOLDING
DOWN BOLT



1 28TH FLOOR EMBED LAYOUT PLAN
- AT TOWER 2


FLOOR LEVEL (S.F.L.)(T2)

FLOOR NUMBERING	LEVEL (mPD)
28F	+99.100

B.D. REF :

CLIENT :
 信和置業有限公司
Sino Land Company Limited

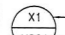
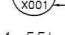
ARCHITECT :
WONG TUNG & PARTNERS LIMITED
ARCHITECTS & PLANNERS


MAIN CONTRACTOR :
 CR Construction Company Limited

STRUCTURAL ENGINEER :
 AECOM

FACADE CONSULTANT:
 AECOM

NOTE :
1. ALL DIMENSIONS ARE IN mm.
2. ALL ELEVATIONS ARE VIEWED FROM OUTSIDE.
3. ALL DIMENSIONS TO BE VERIFIED ON SITE BEFORE FABRICATION.

LEGEND :
 X1 -- DETAIL MARK NO.
 X001 -- REFER SHEET NO.
1. F.F.L. -- FINISHED FLOOR LEVEL
2. S.F.L. -- STRUCTURAL FLOOR LEVEL
3. (R) -- REVERSED DETAIL

NO.	DATE	REVISED	BY
C	08/11/2018	GENERAL REVISED	
B	8/10/2018	GENERAL REVISED	
A	28/9/2018	GENERAL REVISED	

JOB NO. : J-837
PROJECT :
URA KWUN TONG TOWN CENTRE
REDEVELOPMENT (AREA 2 & 3) AT
NKIL 6514, KWUN TONG, KWLOON

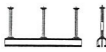
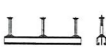


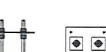

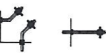
TITLE :
28TH FLOOR EMBED LAYOUT PLAN
OF CURTAIN WALL
AT TOWER 2

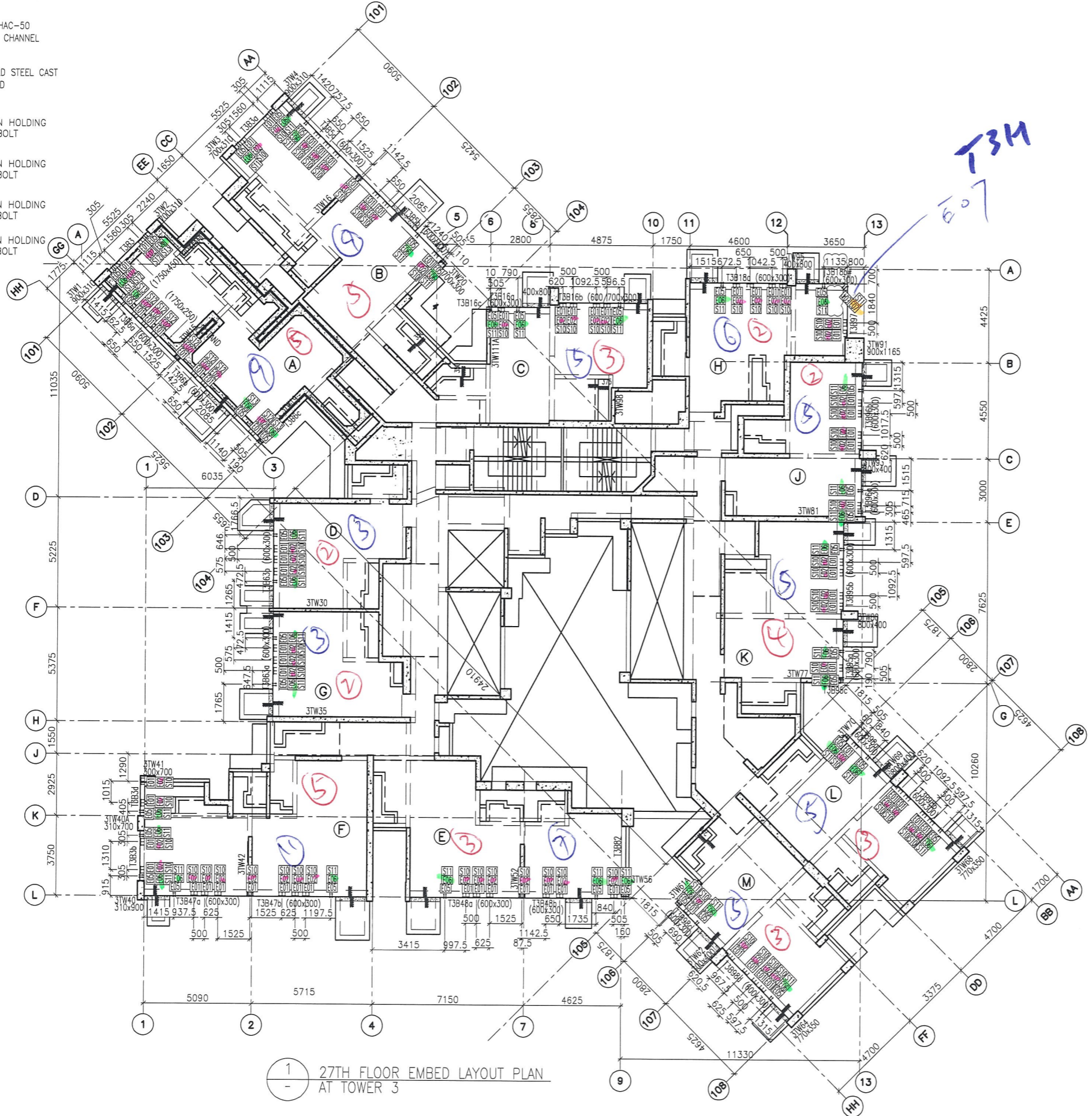
DATE : 10-SEP-18 SCALE : 1:100 (A1)
DRAWN BY : ASING CHECKED BY : -

 美特鋁質有限公司
MIDI ALUMINIUM FABRICATOR LTD.
Units 6-8, Sunray Industrial Centre, 1/F
610 Cha Kwo Ling Road, Kowloon
Tel: 23489211-4 Fax: (852) 27272666

DWG NO. : J837-CW-1204 REV. : C

LEGEND :

-  E01 = HILIT, HAC-70
CAST IN CHANNEL
-  E02 = HILIT, HAC-50
CAST IN CHANNEL
-  E03 = GAL. MILD STEEL CAST
IN EMBED
-  E04 = CAST-IN HOLDING
DOWN BOLT
-  E05 = CAST-IN HOLDING
DOWN BOLT
-  E06 = CAST-IN HOLDING
DOWN BOLT
-  E07 = CAST-IN HOLDING
DOWN BOLT



1 27TH FLOOR EMBED LAYOUT PLAN
AT TOWER 3

FLOOR LEVEL (S.F.L.)(T3)

FLOOR NUMBERING	LEVEL (mPD)
27F	+95.95


E02
- E06
- 73
- 39

T3M
E07

B.D. REF :

CLIENT :
 信和置業有限公司
Sino Land Company Limited

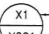

ARCHITECT :
WONG TUNG & PARTNERS LIMITED
ARCHITECTS & PLANNERS


MAIN CONTRACTOR :
 CR Construction Company Limited

STRUCTURAL ENGINEER :


FAÇADE CONSULTANT:


NOTE :
1. ALL DIMENSIONS ARE IN mm.
2. ALL ELEVATIONS ARE VIEWED FROM OUTSIDE.
3. ALL DIMENSIONS TO BE VERIFIED ON SITE BEFORE FABRICATION.

LEGEND :
 X1 --- DETAIL MARK NO.
 X001 --- REFER SHEET NO.
1. F.F.L. --- FINISHED FLOOR LEVEL
2. S.F.L. --- STRUCTURAL FLOOR LEVEL
3. (R) --- REVERSED DETAIL

NO.	DATE	REVISION	BY
E	08/11/2018	GENERAL REVISED	
D	17/10/2018	GENERAL REVISED	
C	11/10/2018	GENERAL REVISED	
B	14/9/2018	GENERAL REVISED	
A	07/9/2018	GENERAL REVISED	






JOB NO. : J-837
PROJECT :
URA KWUN TONG TOWN CENTRE
REDEVELOPMENT (AREA 2 & 3) AT
NKIL 6514, KWUN TONG, KWLOON

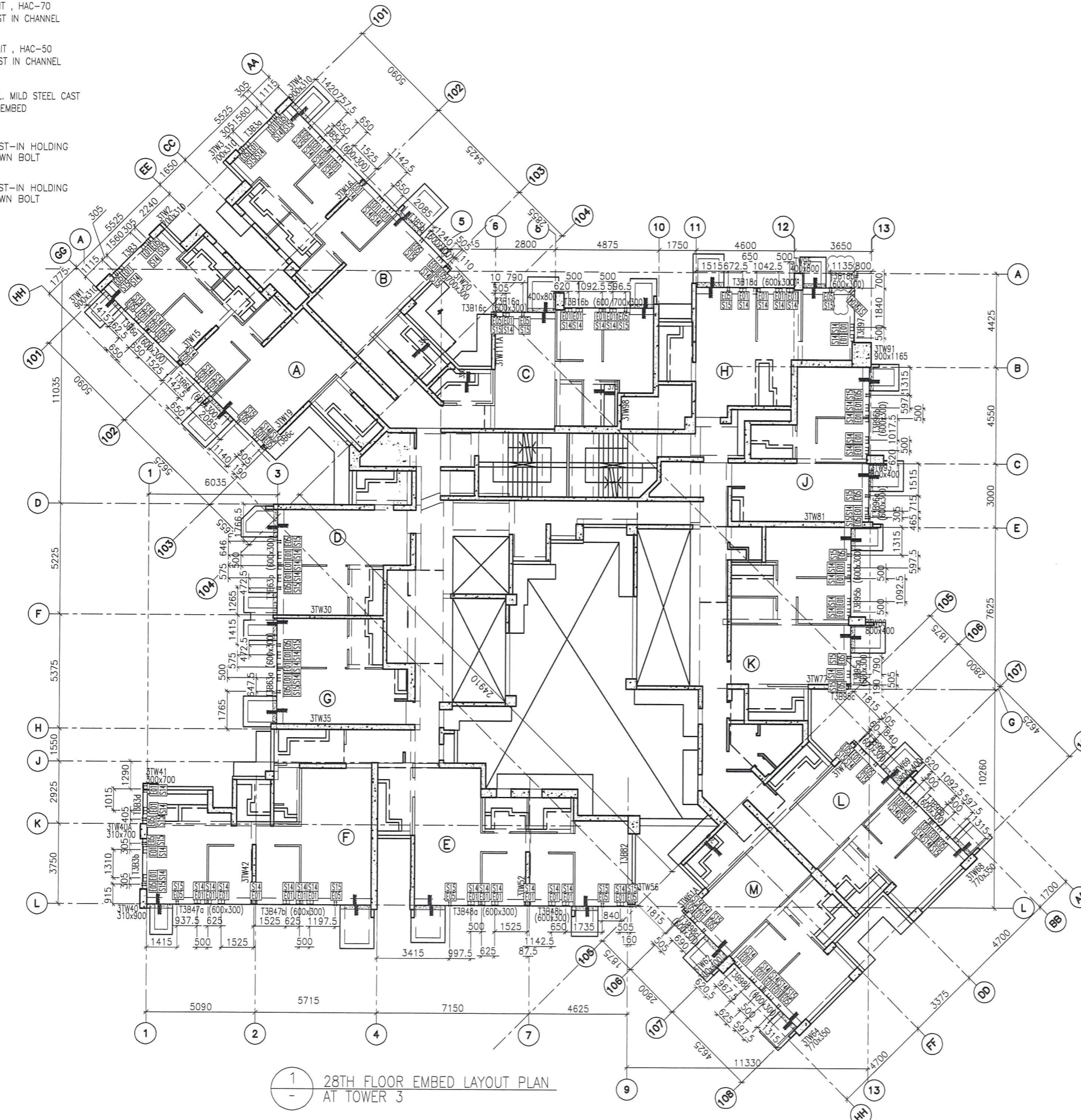
TITLE :
27TH FLOOR EMBED LAYOUT PLAN
OF CURTAIN WALL
AT TOWER 3

DATE : 10-SEP-18 SCALE : 1:100 (A1)
DRAWN BY : ASING CHECKED BY : -

 美特鋁質有限公司
MIDI ALUMINIUM FABRICATOR LTD.
Units 6-8, Sunray Industrial Centre, 1/F
610 Cha Kwo Ling Road, Kowloon
Tel: 23489211-4 Fax: (852) 2727666
DWG NO. : J837-CW-1303 REV. : E

LEGEND :

-  E01 = HILIT, HAC-70
CAST IN CHANNEL
-  E02 = HILIT, HAC-50
CAST IN CHANNEL
-  E03 = GAL. MILD STEEL CAST
IN EMBED
-  E04 = CAST-IN HOLDING
DOWN BOLT
-  E05 = CAST-IN HOLDING
DOWN BOLT





1 28TH FLOOR EMBED LAYOUT PLAN
AT TOWER 3


FLOOR LEVEL (S.F.L.)(T3)


FLOOR NUMBERING	LEVEL (mPd)
28F	+99.100


B.D. REF :

CLIENT :
 信和置業有限公司
 Sino Land Company Limited

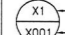

ARCHITECT :
 WONG TUNG & PARTNERS LIMITED
 ARCHITECTS & PLANNERS


MAIN CONTRACTOR :
 CR Construction Company Limited

STRUCTURAL ENGINEER :


FACADE CONSULTANT:


NOTE :
 1. ALL DIMENSIONS ARE IN mm.
 2. ALL ELEVATIONS ARE VIEWED FROM OUTSIDE.
 3. ALL DIMENSIONS TO BE VERIFIED ON SITE BEFORE FABRICATION.

LEGEND :
 X1 --- DETAIL MARK NO.
 X001 --- REFER SHEET NO.

1. F.F.L. --- FINISHED FLOOR LEVEL
 2. S.F.L. --- STRUCTURAL FLOOR LEVEL
 3. (R) --- REVERSED DETAIL

NO.	DATE	REVISED	BY
C	17/10/2018	GENERAL REVISED	
B	11/10/2018	GENERAL REVISED	
A	14/9/2018	GENERAL REVISED	


JOB NO. : J-837

PROJECT :
 URA KWUN TONG TOWN CENTRE
 REDEVELOPMENT (AREA 2 & 3) AT
 NKIL 6514, KWUN TONG, KWLOON

TITLE :
 28TH FLOOR EMBED LAYOUT PLAN
 OF CURTAIN WALL
 AT TOWER 3


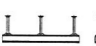


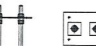


DATE : 10-SEP-18 SCALE : 1:100 (A1)

DRAWN BY : ASING CHECKED BY : -

 美特鋁質有限公司
 MIDI ALUMINIUM FABRICATOR LTD.
 Units 6-8, Sunray Industrial Centre, 1/F
 610 Cho Kwo Ling Road, Kowloon
 Tel: 23489211-4 Fax: (852) 2727666

DWG NO. : J837-CW-1304 REV. : C

LEGEND :


-  E01 = HILIT, HAC-70
CAST IN CHANNEL
-  E02 = HILIT, HAC-50
CAST IN CHANNEL
-  E03 = GAL. MILD STEEL CAST
IN EMBED
-  E04 = CAST-IN HOLDING
DOWN BOLT
-  E05 = CAST-IN HOLDING
DOWN BOLT
-  E06 = CAST-IN HOLDING
DOWN BOLT
-  E07 = CAST-IN HOLDING
DOWN BOLT



B.D. REF :
E02 77
E06 43

CLIENT :
 信和置業有限公司
Sino Land Company Limited

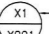

ARCHITECT :
WONG TUNG & PARTNERS LIMITED
ARCHITECTS & PLANNERS


MAIN CONTRACTOR :
 CR Construction Company Limited

STRUCTURAL ENGINEER :


FAÇADE CONSULTANT:


NOTE :
1. ALL DIMENSIONS ARE IN mm.
2. ALL ELEVATIONS ARE VIEWED FROM OUTSIDE.
3. ALL DIMENSIONS TO BE VERIFIED ON SITE BEFORE FABRICATION.

LEGEND :
 X1 --- DETAIL MARK NO.
 X001 --- REFER SHEET NO.
1. F.F.L. --- FINISHED FLOOR LEVEL
2. S.F.L. --- STRUCTURAL FLOOR LEVEL
3. (R) --- REVERSED DETAIL

NO.	DATE	REVISED	BY
D	08/11/2018	GENERAL REVISED	
C	11/10/2018	GENERAL REVISED	
B	8/10/2018	GENERAL REVISED	
A	14/9/2018	GENERAL REVISED	

JOB NO. : J-837
PROJECT :
URA KWUN TONG TOWN CENTRE
REDEVELOPMENT (AREA 2 & 3) AT
NKIL 6514, KWUN TONG, KWLOON

TITLE :
27TH FLOOR EMBED LAYOUT PLAN
OF CURTAIN WALL
AT TOWER 5

DATE : 10-SEP-18 SCALE : 1:100 (A1)
DRAWN BY : ASING CHECKED BY : -






 美特鋁質有限公司
MIDI ALUMINIUM FABRICATOR LTD.
Units 6-8, Sunray Industrial Centre, 1/F
610 Cha Kwo Ling Road, Kowloon
Tel:23489211-4 Fax:(852)2727666

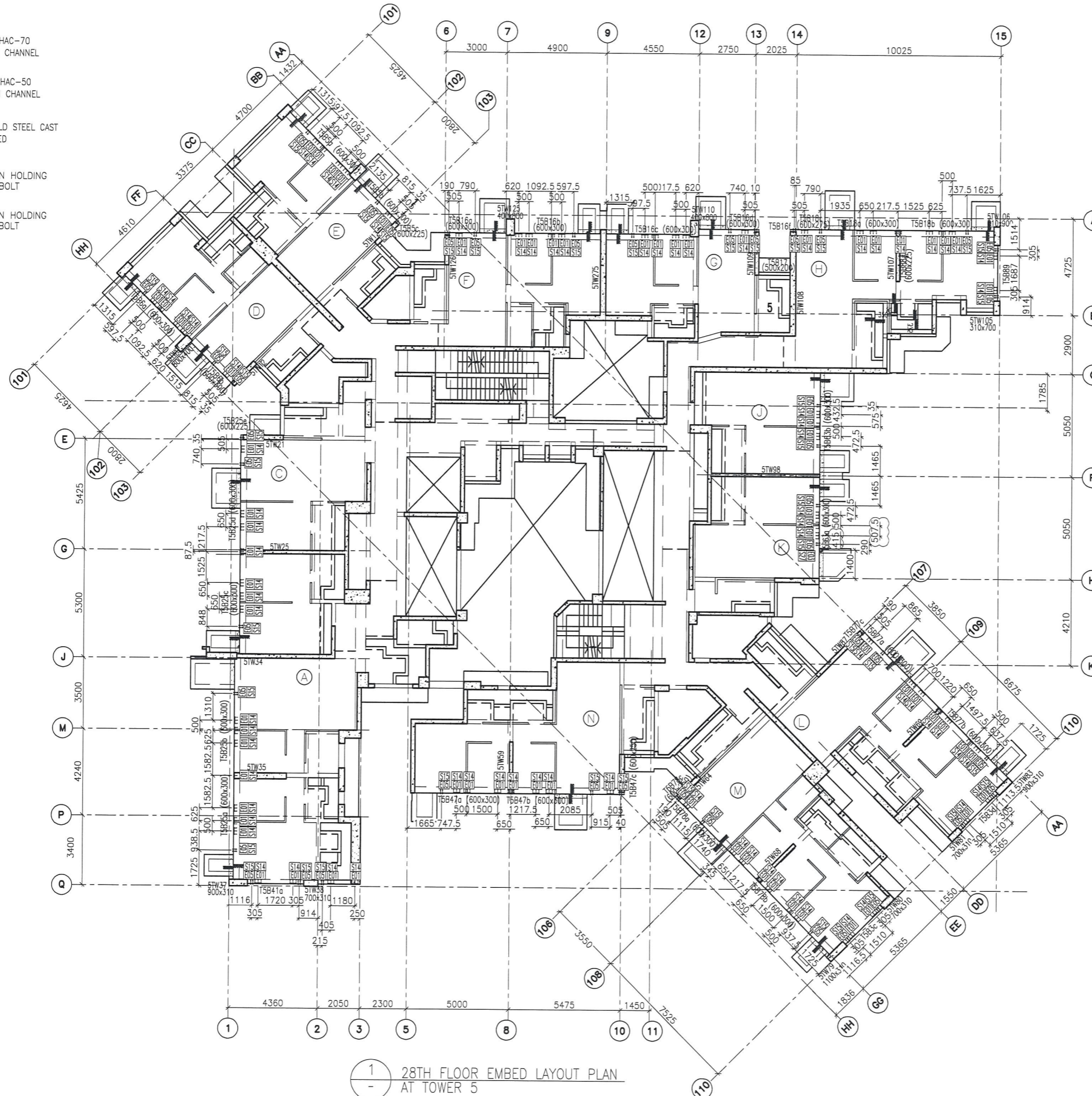
DWG NO. : J837-CW-1505 REV. : D

FLOOR LEVEL (S.F.L.)(T5)

FLOOR NUMBERING	LEVEL (mPD)
27F	+95.95

LEGEND :

-  E01 = HILIT, HAC-70
CAST IN CHANNEL
-  E02 = HILIT, HAC-50
CAST IN CHANNEL
-  E03 = GAL. MILD STEEL CAST
IN EMBED
-  E04 = CAST-IN HOLDING
DOWN BOLT
-  E05 = CAST-IN HOLDING
DOWN BOLT




1
-
28TH FLOOR EMBED LAYOUT PLAN
AT TOWER 5

B.D. REF :

CLIENT :
 信和置業有限公司
Sino Land Company Limited

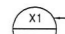
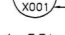
ARCHITECT :
WONG TUNG & PARTNERS LIMITED
ARCHITECTS & PLANNERS


MAIN CONTRACTOR :
 CR Construction Company Limited

STRUCTURAL ENGINEER :


FAÇADE CONSULTANT :


- NOTE :
1. ALL DIMENSIONS ARE IN mm.
 2. ALL ELEVATIONS ARE VIEWED FROM OUTSIDE.
 3. ALL DIMENSIONS TO BE VERIFIED ON SITE BEFORE FABRICATION.

- LEGEND :
-  X1 -- DETAIL MARK NO.
 -  X001 -- REFER SHEET NO.
 - 1. F.F.L. -- FINISHED FLOOR LEVEL
 - 2. S.F.L. -- STRUCTURAL FLOOR LEVEL
 - 3. (R) -- REVERSED DETAIL

NO.	DATE	REVISED	BY
D	08/11/2018	GENERAL REVISED	
C	11/10/2018	GENERAL REVISED	
B	8/10/2018	GENERAL REVISED	
A	14/9/2018	GENERAL REVISED	

JOB NO. : J-837
PROJECT :
URA KWUN TONG TOWN CENTRE
REDEVELOPMENT (AREA 2 & 3) AT
NKIL 6514, KWUN TONG, KWLOON

TITLE :
28TH FLOOR EMBED LAYOUT PLAN
OF CURTAIN WALL
AT TOWER 5

DATE : 10-SEP-18 SCALE : 1:100 (A1)
DRAWN BY : ASING CHECKED BY : -

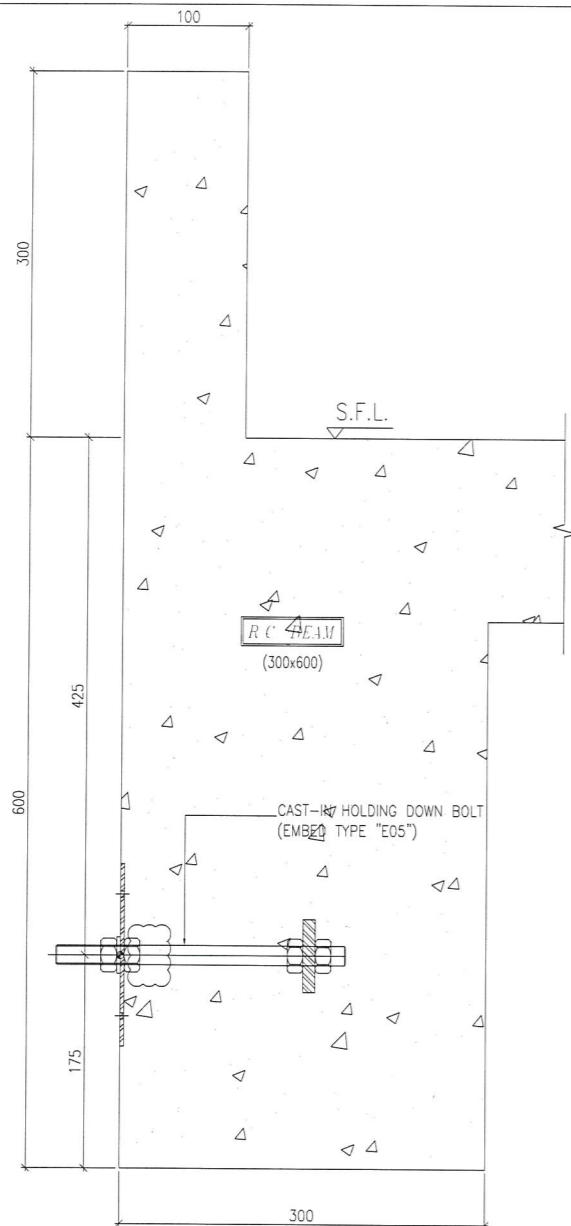
 美特鋁質有限公司
MIDI ALUMINIUM FABRICATOR LTD.
Units 6-8, Sunray Industrial Centre, 1/F
610 Cha Kwo Ling Road, Kowloon
Tel: 23489211-4 Fax: (852) 2727666

FLOOR LEVEL (S.F.L.) (TS)

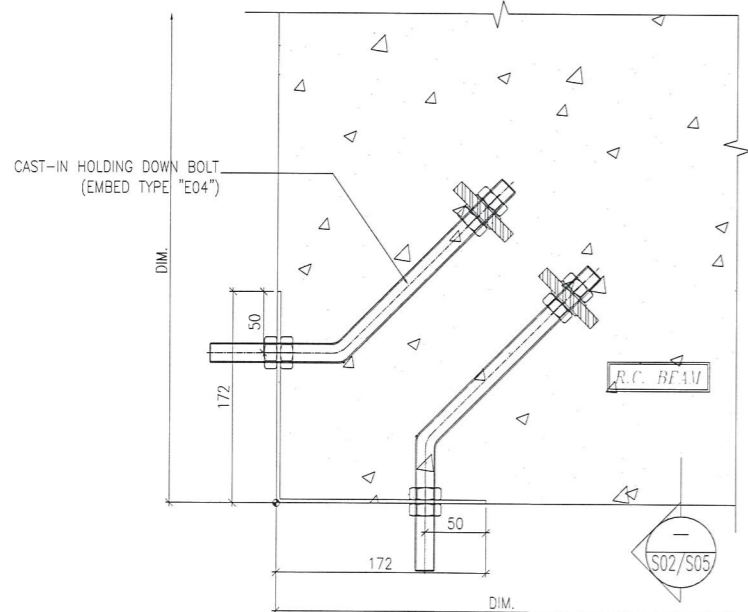
FLOOR NUMBERING	LEVEL (mPD)
28F	+99.100

DWG NO. : J837-CW-1506 REV. : D

B
ED03

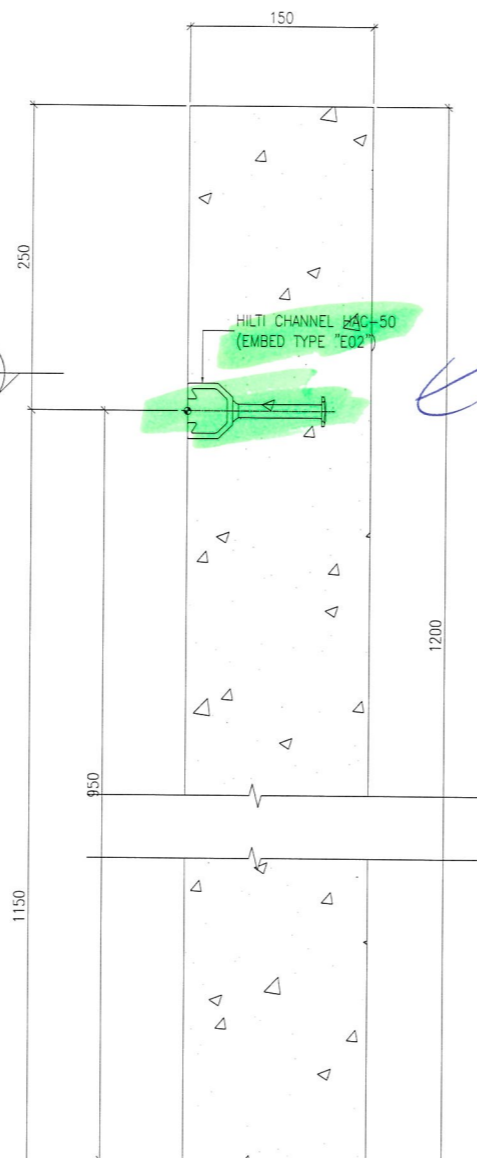


S07 EMBED INSTALLATION DETAIL
SECTION TYPE "S07"

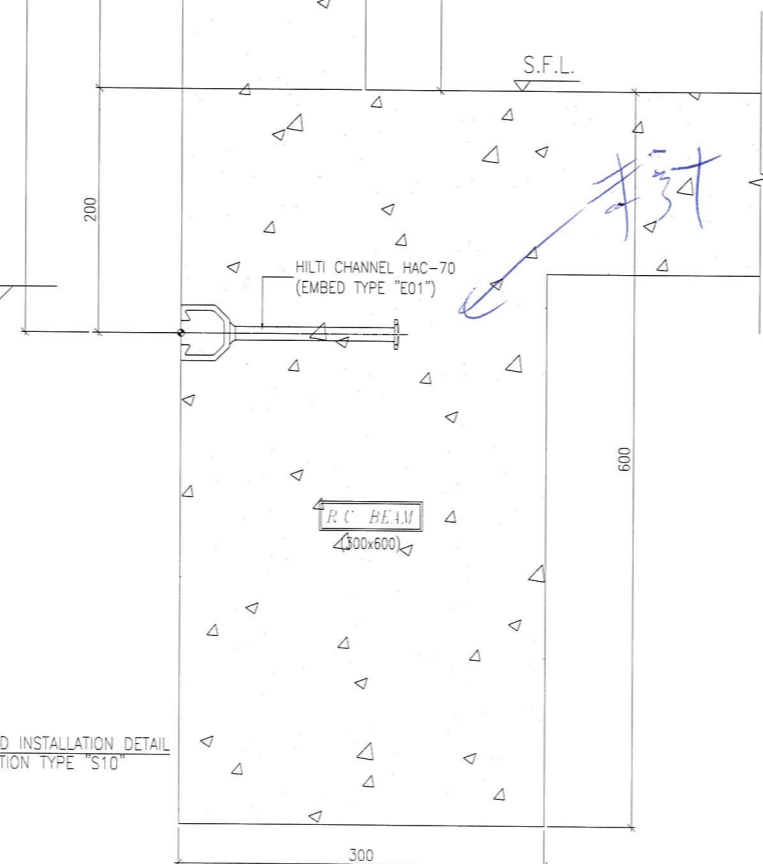


S09 EMBED INSTALLATION DETAIL
SECTION TYPE "S09"

A
ED03

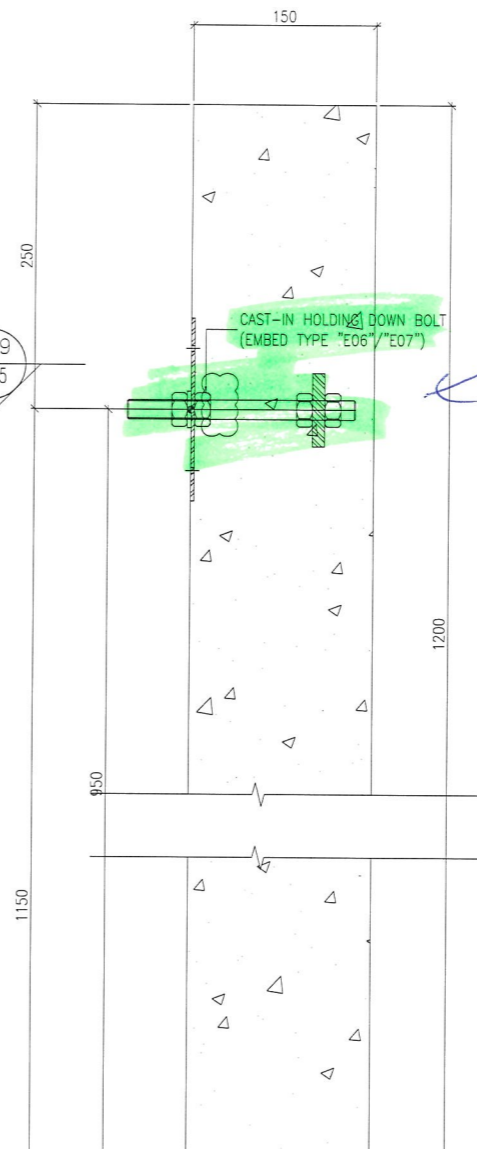


A
ED03

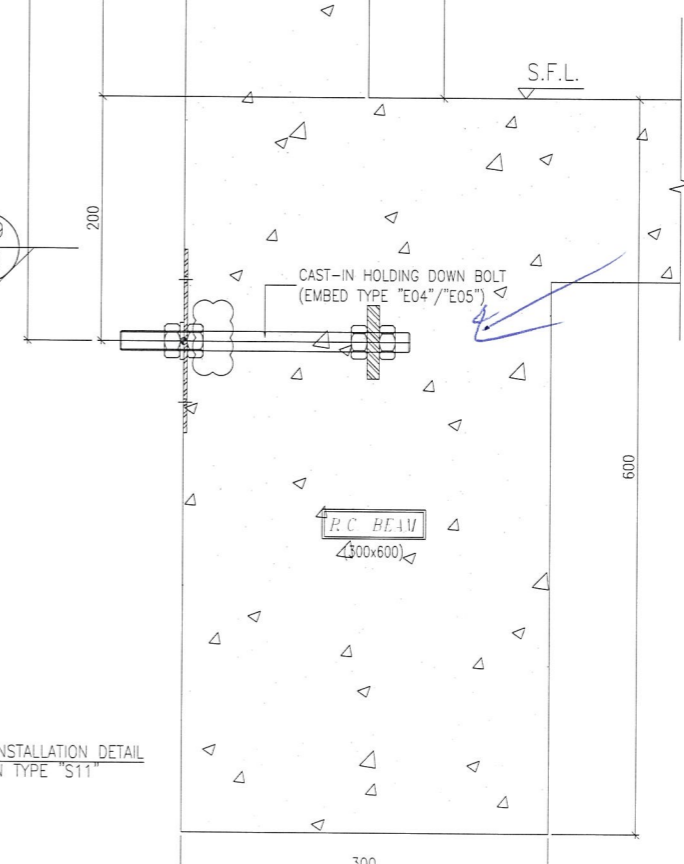


S10 EMBED INSTALLATION DETAIL
SECTION TYPE "S10"

B
ED03



B
ED03



S11 EMBED INSTALLATION DETAIL
SECTION TYPE "S11"

B.D. REF :

CLIENT :

信和置業有限公司
Sino Land Company Limited

ARCHITECT :
WONG TUNG & PARTNERS LIMITED
ARCHITECTS & PLANNERS



MAIN CONTRACTOR :

CR Construction Company Limited

STRUCTURAL ENGINEER :

AECOM

FACADE CONSULTANT:

AECOM

NOTE :

1. ALL DIMENSIONS ARE IN mm.
2. ALL ELEVATIONS ARE VIEWED FROM OUTSIDE.
3. ALL DIMENSIONS TO BE VERIFIED ON SITE BEFORE FABRICATION.

LEGEND :

- x1 — DETAIL MARK NO.
- x001 — REFER SHEET NO.

1. F.F.L. -- FINISHED FLOOR LEVEL
2. S.F.L. -- STRUCTURAL FLOOR LEVEL
3. (R) -- REVERSED DETAIL

B	24/11/2018	GENERAL REVISED
A	10/9/2018	GENERAL REVISED
NO.	DATE	REVISED BY

JOB NO. : J-837

PROJECT :
URA KWUN TONG TOWN CENTRE
REDEVELOPMENT (AREA 2 & 3) AT
NKIL 6514, KWUN TONG, KWLOON

TITLE :
EMBED TYPICAL DETAILS
FOR CURTAIN WALL

DATE : 13-JUL-18 SCALE : 1:3 (A1)

DRAWN BY : Asing CHECKED BY : -

美特鋁質有限公司
MIDI ALUMINIUM FABRICATOR LTD.
Units 6-8, Sunray Industrial Centre, 1/F
610 Cha Kwo Ling Road, Kowloon
Tel: 23489211-4 Fax: (852) 27727666

DWG NO. : J837-CW-ED05 REV. : B