



工程指示 / 要求簡箋(E.I.)

工程指示編號：EI / 9858 / 18

修改版次：-

工程編號：J - 837

工程名稱：觀塘裕民坊

工程項目：Glass cladding 計算預留碼(Precast GC)

收件人：生統 / 永林

發件人：Eric Liu

日期：22/10/2018

要求提供 / 確認 事項：

- | | | |
|------------------------------------|-------------------------------------|-------------------------------|
| <input type="checkbox"/> 初步鋁料 B.M. | <input type="checkbox"/> 加工拆圖，然後生產 | <input type="checkbox"/> 尺寸表 |
| <input type="checkbox"/> 正式鋁料 B.M. | <input type="checkbox"/> 技術上資料 / 指示 | <input type="checkbox"/> 報價 |
| <input type="checkbox"/> 配件 B.M. | <input type="checkbox"/> 樣辦或貨品說明書 | <input type="checkbox"/> 分判合約 |
| <input type="checkbox"/> 其他：_____ | | |

內容：

請按佛沙圖，計算 Precast Glass cladding 用預留碼數量及提供拆圖

謝謝

請在 2018 / 10 / 31 完成。

附：7 頁+CAD

以上項目為：

- 原合約工程包 原合約工程加 / 減賬 新工程報價

原因：-

分發東莞各部門：

- () 生產技術總監 連附件 () 技術部 連附件 永林 () 生產部 連附件 () 機械設計部 連附件
 () 採購部 連附件 () 生產統籌部 連附件 物
 () 質檢部 連附件 () 會計部 連附件 () 報關組 連附件 () 其他 楊榮輝 連附件

分發其他分判：
() 王禮秋 連附件

分發香港各部門：

- () 行政部 連附件 () 會計部 連附件 () 統籌部 連附件 () 工程部地盤科文 連附件
 () 採購部 連附件 () QS 部 連附件 () 維修部 連附件 () 其他 _____ 連附件

傳遞編號：

HK 1606 / 18

發件人簽署：




項目經理簽署：

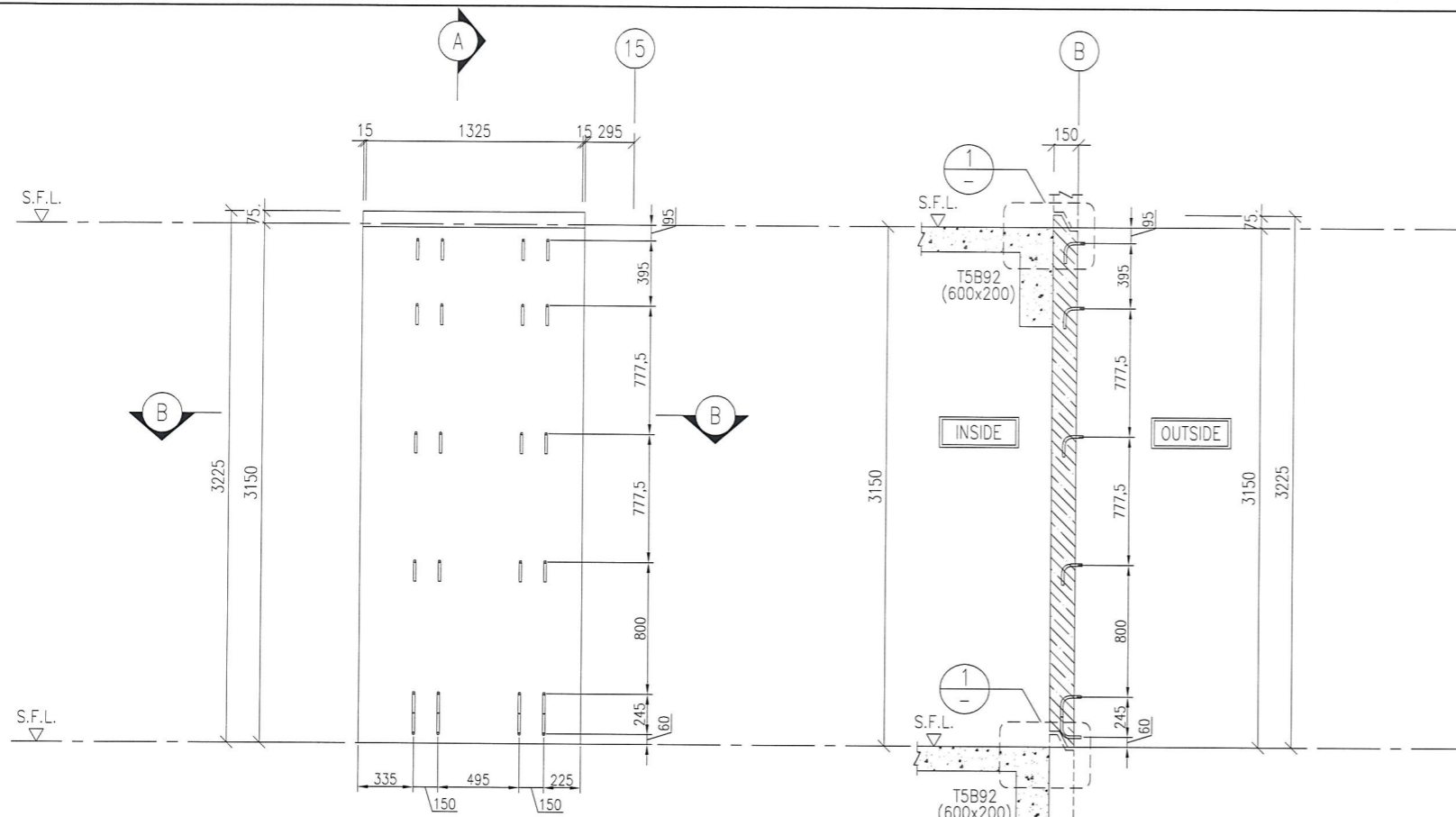
LEVEL	PANEL MARK	QTY.
6/F-26/F, 28/F-50/F	TSPF-H-1	39
WITHOUT 13/F, 14/F, 24/F, 34/F & 44/F		

NOTES:

- THIS DRAWING SHALL BE READ IN CONJUNCTION WITH THE PRECAST CONCRETE GENERAL ARRANGEMENT (GA) PLAN.

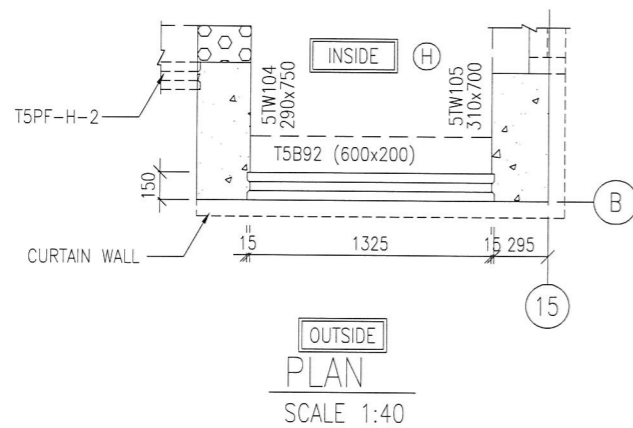
LEGEND:

-  INSITU CONCRETE
-  PRECAST FACADE
-  ROUGH SURFACE C.J. FACE

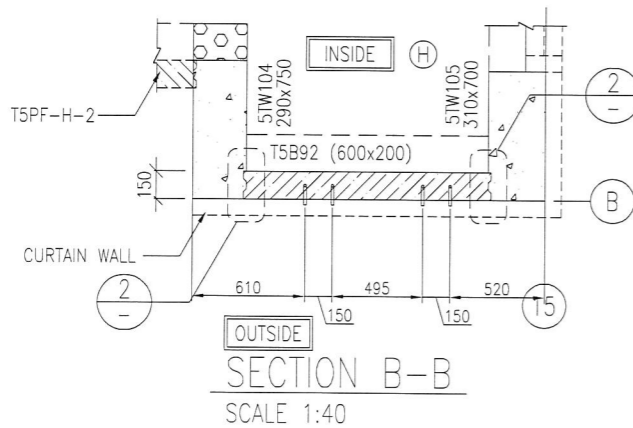


ELEVATION
SCALE 1:40

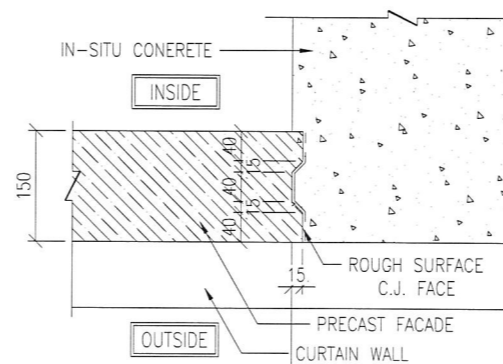
SECTION A-A
SCALE 1:40



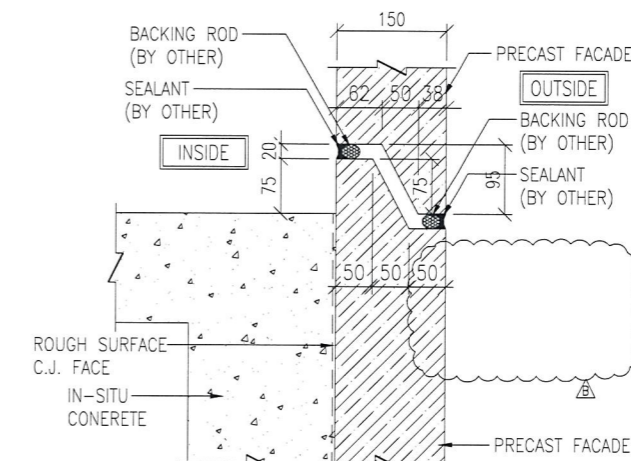
OUTSIDE
PLAN
SCALE 1:40



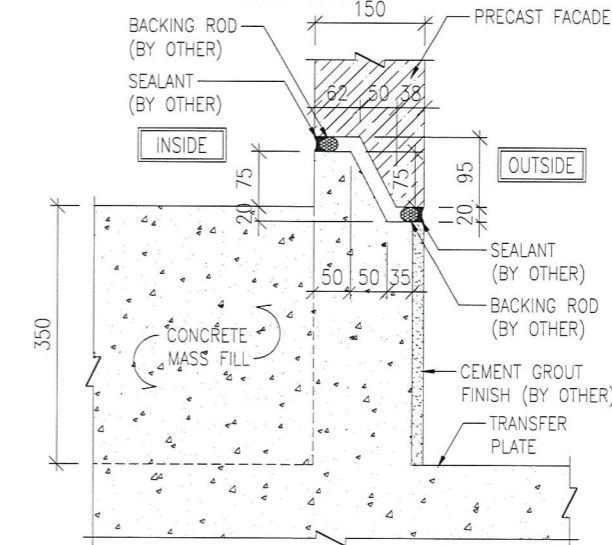
OUTSIDE
SECTION B-B
SCALE 1:40



DETAIL "2"
SCALE 1:10




DETAIL "1"
SCALE 1:10



DETAIL "1"
(FOR 6/F ONLY) SCALE 1:10

Rev	Amendment	By	Chk.	App.	Date
B	AS CLOUDED	CAD	AC	LL	18.05.18
A	AS CLOUDED	CAD	AC	LL	16.04.18
-	FIRST ISSUE	CAD	AC	LL	15.02.18

CLIENT :	ARCHITECT :	STRUCTURE :	MAIN CONTRACTOR :	PRECAST SUPPLIER :
				

ARCHITECT :
VT

STRUCTURE :
AECOM

MAIN CONTRACTOR :
CR Construction Company Limited

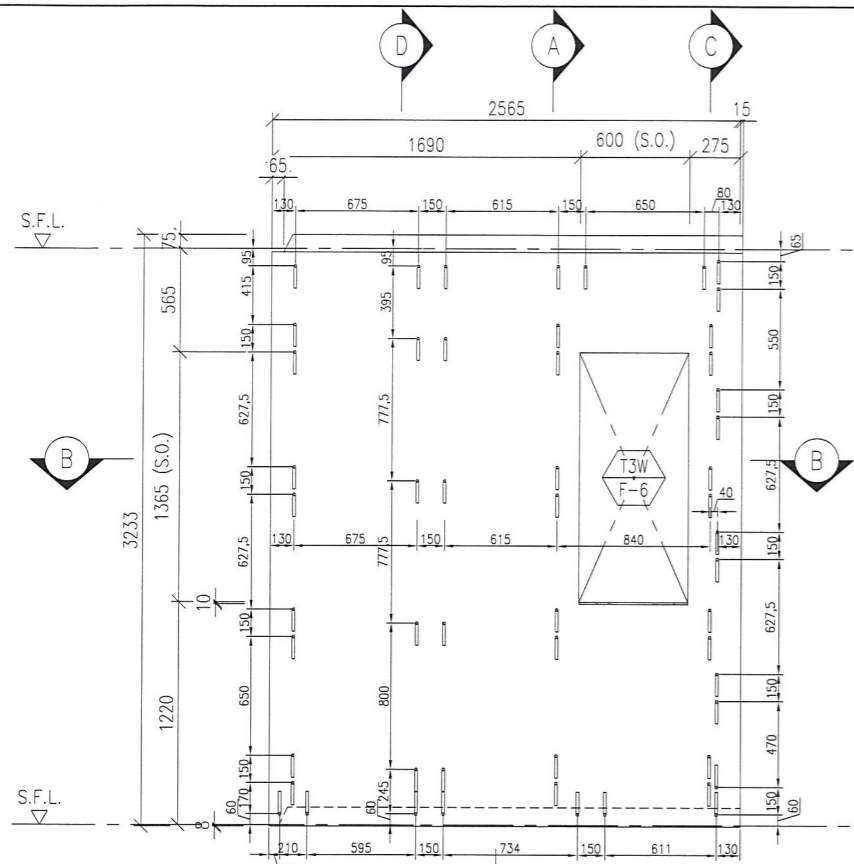
PRECAST SUPPLIER :
REDLAND PRECAST CONCRETE PRODUCTS (CHINA) LIMITED
中威 預制混凝土產品(中國)有限公司

PROJECT :
URA KWUN TONG TOWN CENTRE REDEVELOPMENT (AREA 2 & 3) AT NKIL 6514, KWUN TONG, KOWLOON

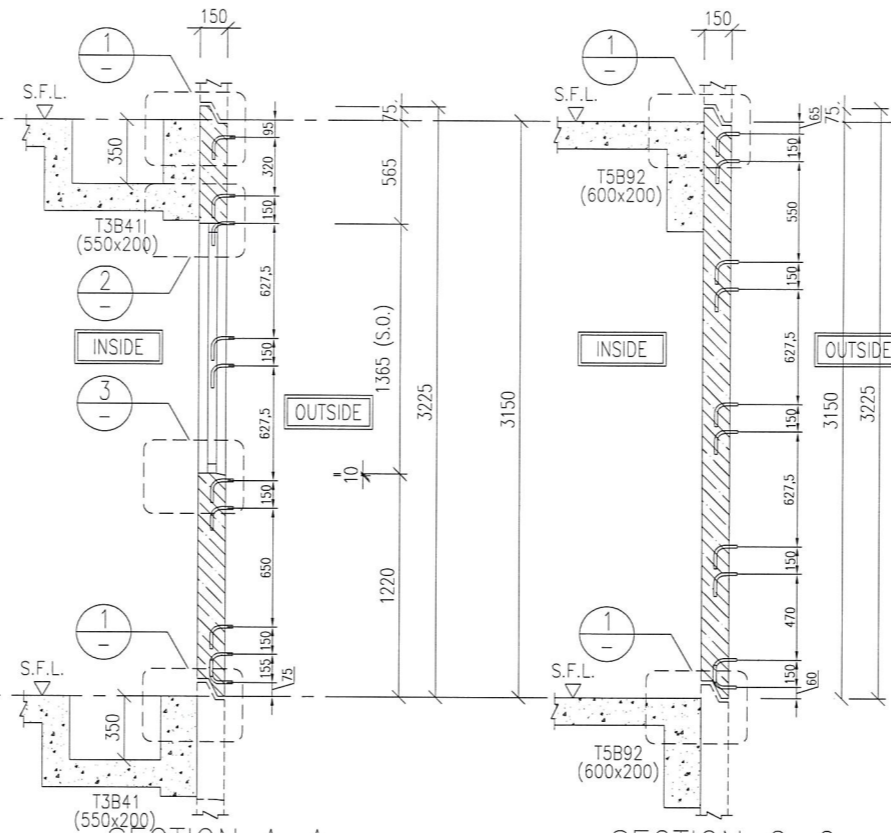
TITLE :
SHOP DRAWING
PRECAST CONCRETE FACADE
T5PF-H-1 (6/F-26/F, 28/F-50/F ONLY)

Drawn	Checked	Approved	Rev.
CAD	AC	LL	15.02.2018
Scale 1 : 40(A1)	CAD File No.	Date	15.02.2018
First issued 15.02.2018	Drawing No.	Rev.	
Copyright Reserved	RP/J1802/SD/0192	B	

THIS DRAWING IS COPYRIGHTED AND NOT BE REPRODUCED IN WHOLE OR IN PART WITHOUT THE PERMISSION OF REDLAND PRECAST

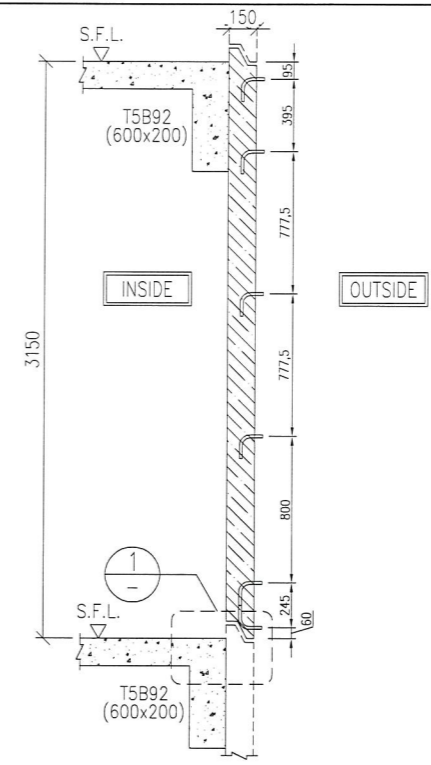


ELEVATION
SCALE 1:40



SECTION A-A
SCALE 1:40

SECTION C-C
SCALE 1:40



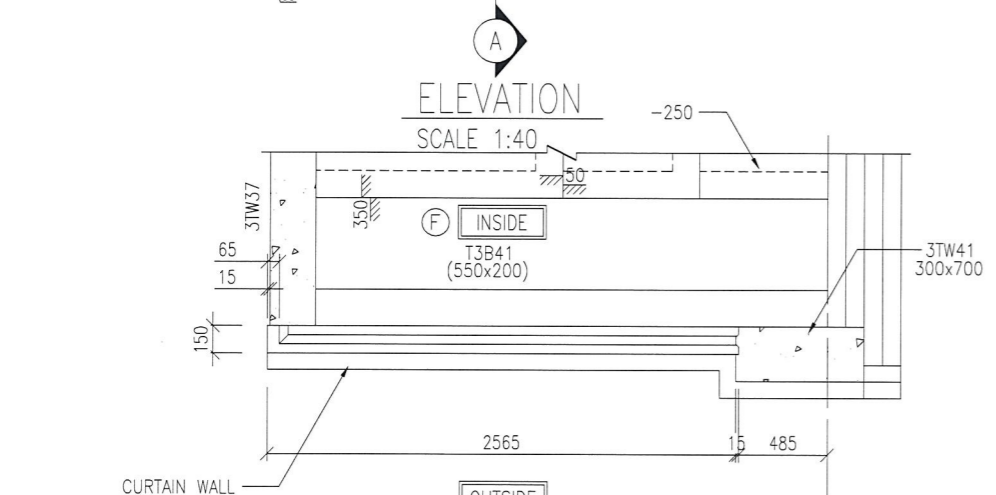
SECTION D-D
SCALE 1:40

LEVEL	PANEL MARK	QTY.
6/F-26/F, 28/F-51/F	T3PF-F-1	40
WITHOUT 13/F, 14/F, 24/F, 34/F & 44/F		

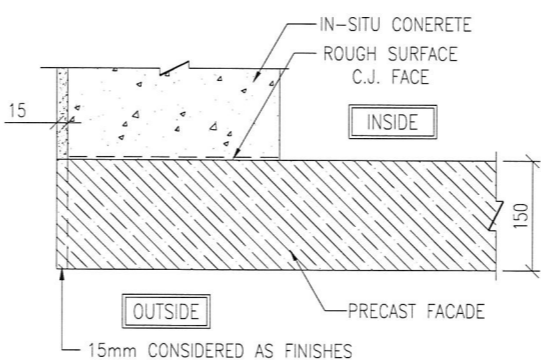
NOTES:
1. THIS DRAWING SHALL BE READ IN CONJUNCTION WITH THE PRECAST CONCRETE GENERAL ARRANGEMENT (GA) PLAN.

LEGEND:

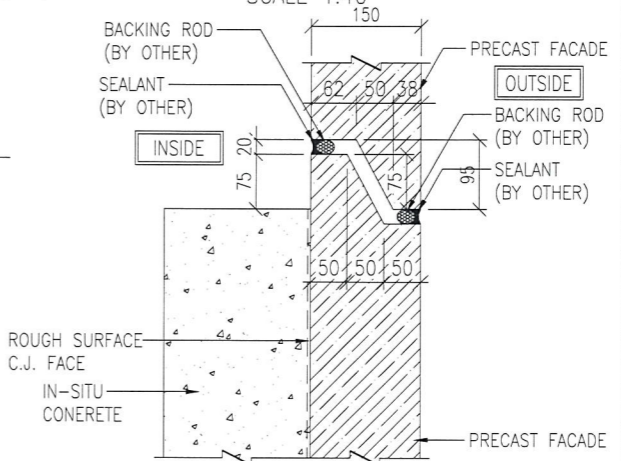
 IN-SITU CONCRETE
 PRECAST FACADE
 --- ROUGH SURFACE C.J. FACE



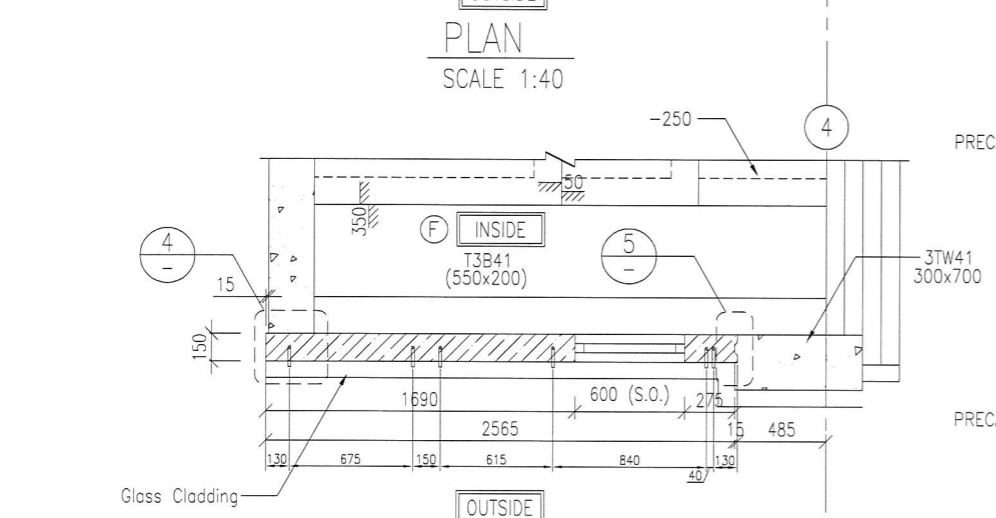
PLAN
SCALE 1:40



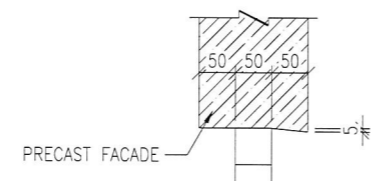
DETAIL "1"
SCALE 1:10



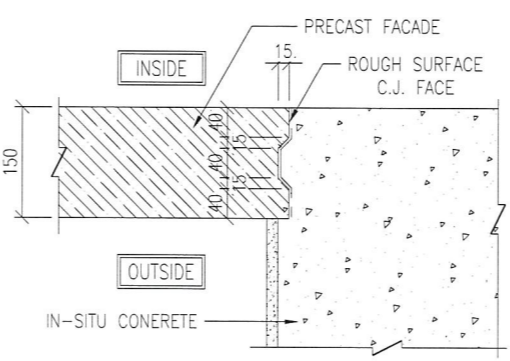
DETAIL "2"
SCALE 1:10



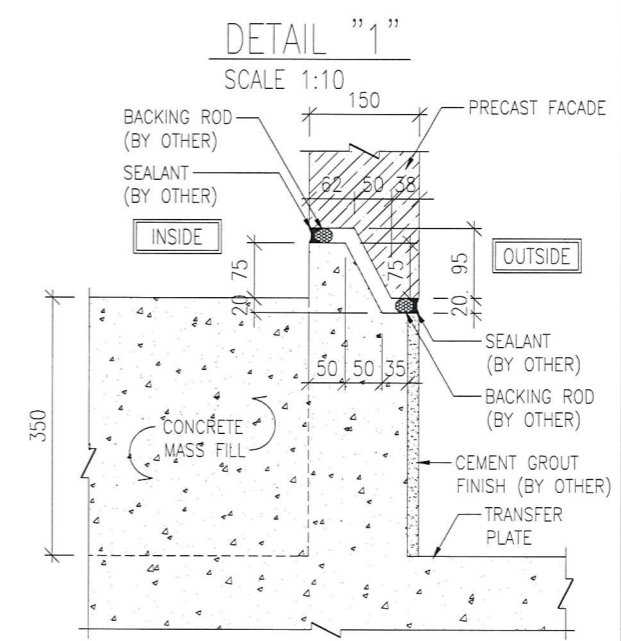
SECTION B-B
SCALE 1:40



DETAIL "3"
SCALE 1:10



DETAIL "4"
SCALE 1:10



DETAIL "5"
(FOR 6/F ONLY) SCALE 1:10

Rev	Amendment	By	Chk.	App.	Date
C	AS CLOUDED	CAD	AC	LL	13.06.18
B	AS CLOUDED	CAD	AC	LL	02.05.18
A	AS CLOUDED	CAD	AC	LL	09.04.18
-	FIRST ISSUE	CAD	AC	LL	15.02.18

CLIENT :

ARCHITECT :

STRUCTURE :

MAIN CONTRACTOR :

PRECAST SUPPLIER :

 REDLAND PRECAST
 CONCRETE PRODUCTS (CHINA) LIMITED
 中成 預制混凝土產品(中國)有限公司
 Unit 04-05, 10/F, Energy Plaza, 92 Greenhill Road, T.S.T. East, Kowloon, Hong Kong
 Tel: (852) 2590 0328 Fax: (852) 2562 9428 http://www.redlandprecast.com

PROJECT :
 URA KWUN TONG TOWN CENTRE
 REDEVELOPMENT (AREA 2 & 3) AT
 NKIL 6514, KWUN TONG, KOWLOON

TITLE :
 SHOP DRAWING
 PRECAST CONCRETE FACADE
 T3PF-F-1 (6/F-26/F, 28/F-51/F ONLY)

Drawn	CAD	Checked	AC	Approved	LL
Scale	1 : 40(A3)	CAD File No.		Date	15.02.2018
First issued	15.02.2018	Drawing No.		Rev	
Copyright Reserved					

RP/J1802/SD/0170

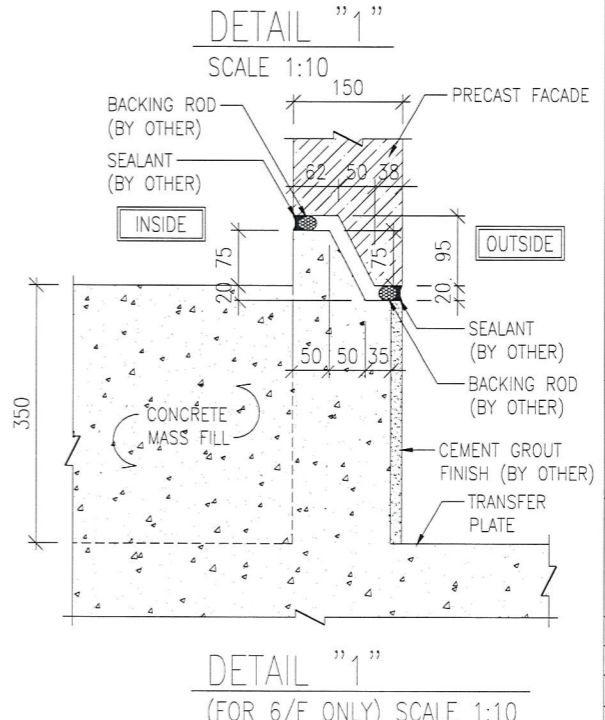
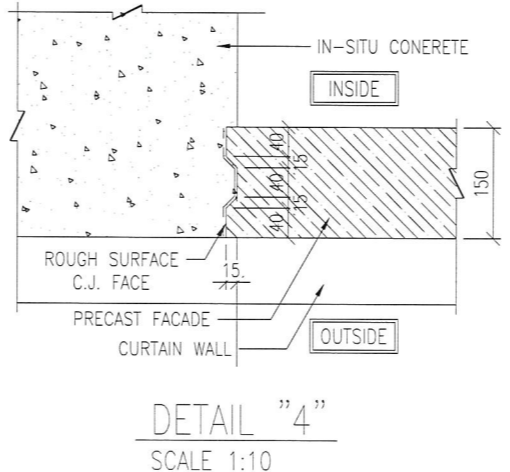
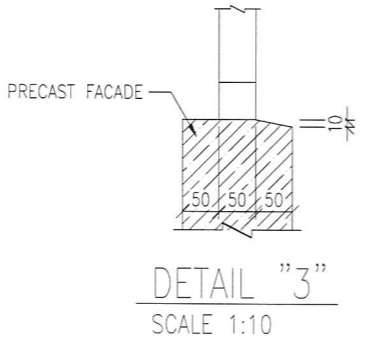
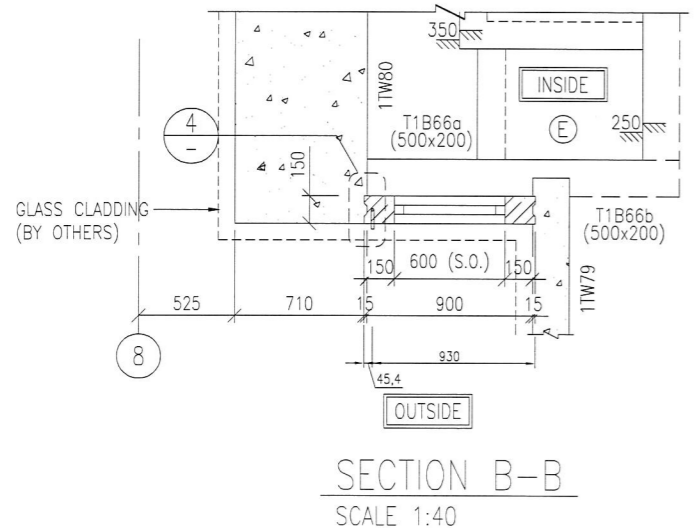
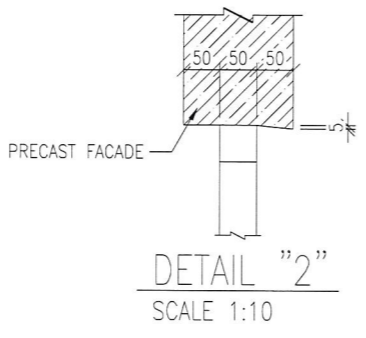
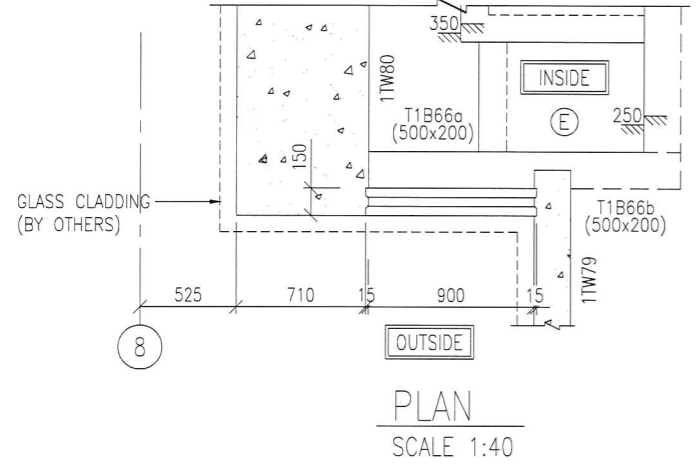
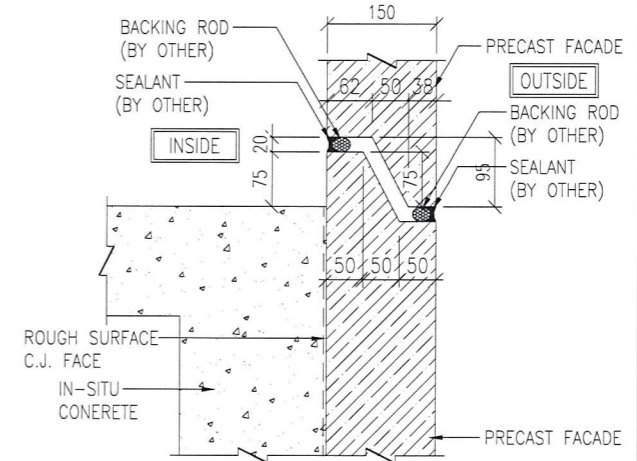
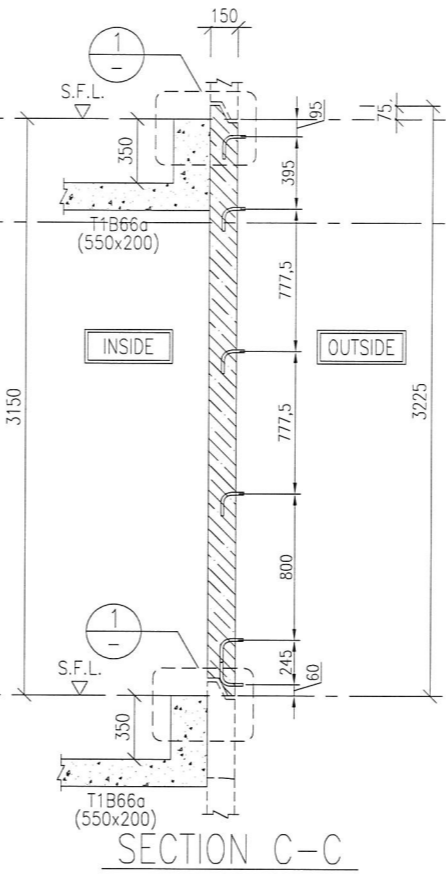
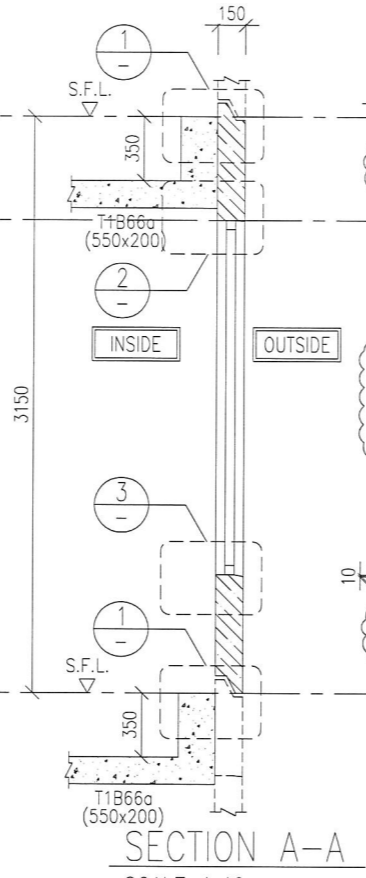
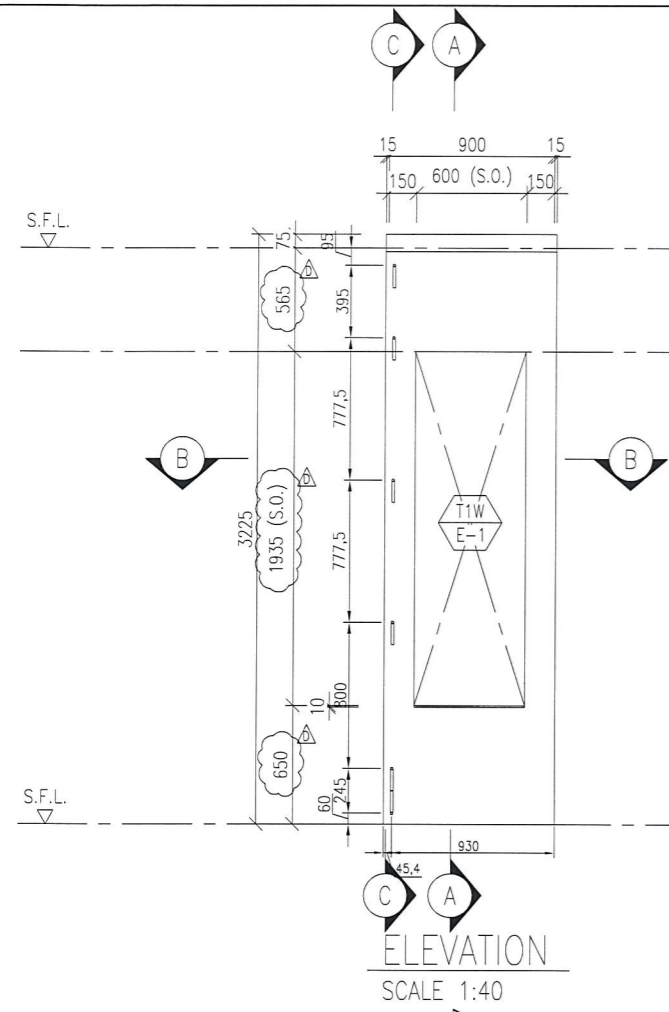
THIS DRAWING IS COPYRIGHTED AND MAY NOT BE REPRODUCED IN WHOLE OR IN PART WITHOUT THE PERMISSION OF REDLAND PRECAST

LEVEL	PANEL MARK	QTY.
6/F-26/F, 28/F-49/F	T1PF-E-1	38
WITHOUT 13/F, 14/F, 24/F, 34/F & 44/F		

NOTES:
1. THIS DRAWING SHALL BE READ IN CONJUNCTION WITH THE PRECAST CONCRETE GENERAL ARRANGEMENT (GA) PLAN.

LEGEND:

 INSITU CONCRETE
 PRECAST FACADE
 --- ROUGH SURFACE C.J. FACE



Rev	Amendment	By	Chk.	App.	Date
D	AS CLOUDED	CAD	AC	LL	06.06.18
C	AS CLOUDED	CAD	AC	LL	27.04.18
B	AS CLOUDED	CAD	AC	LL	26.03.18
A	AS CLOUDED	CAD	AC	LL	13.02.18
-	FIRST ISSUE	CAD	AC	LL	08.02.18

CLIENT :
 ARCHITECT :

STRUCTURE :

MAIN CONTRACTOR :

 CR Construction Company Limited

PRECAST SUPPLIER :

REDLAND PRECAST
 CONCRETE PRODUCTS (CHINA) LIMITED
 中成 預制混凝土產品(中國)有限公司
 Unit 04-05, 10/F, Energy Plaza, 92 Grenville Road, T.S.T. East, Kowloon, Hong Kong
 Tel: (852) 2590 0328 Fax: (852) 2562 9428 http://www.redlandprecast.com

PROJECT :
 URA KWUN TONG TOWN CENTRE
 REDEVELOPMENT (AREA 2 & 3) AT
 NKIL 6514, KWUN TONG, KOWLOON

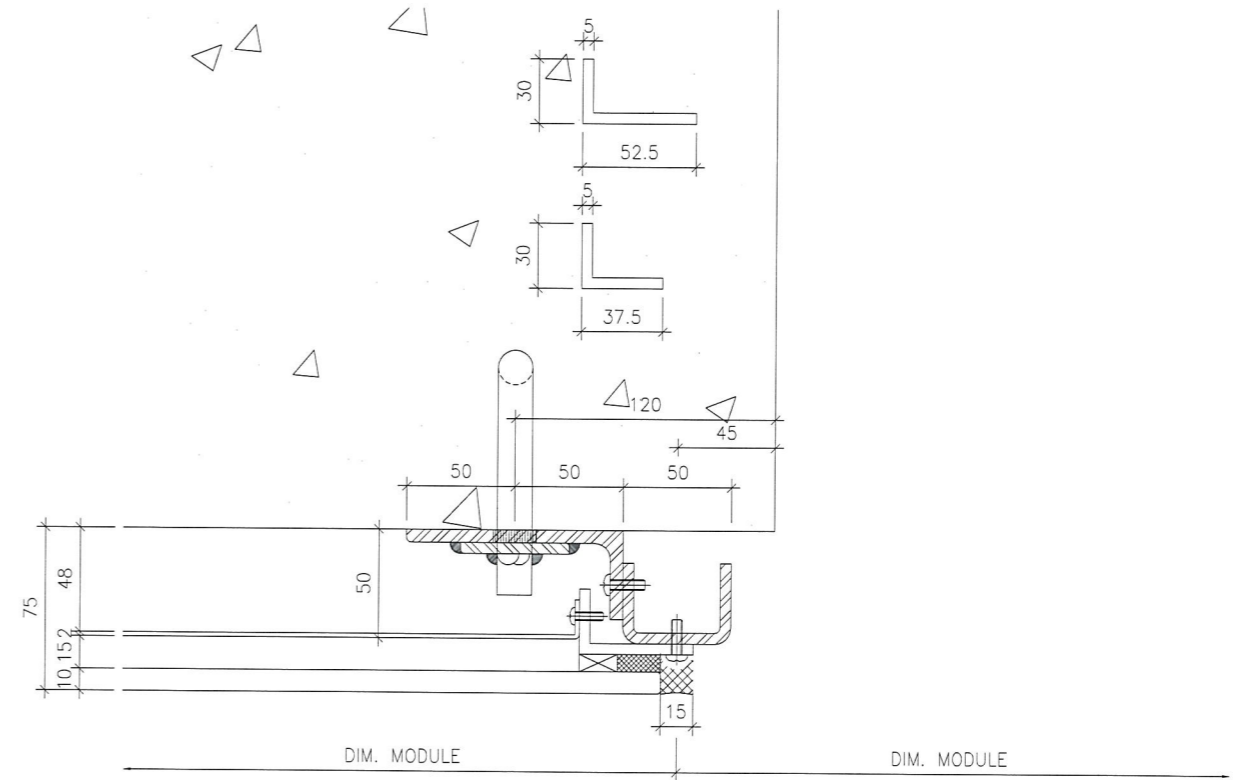
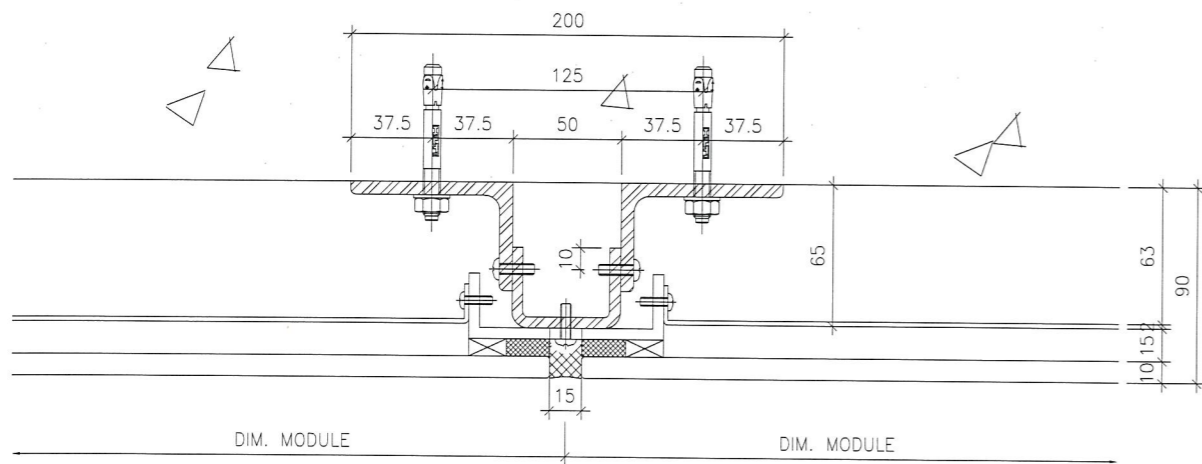
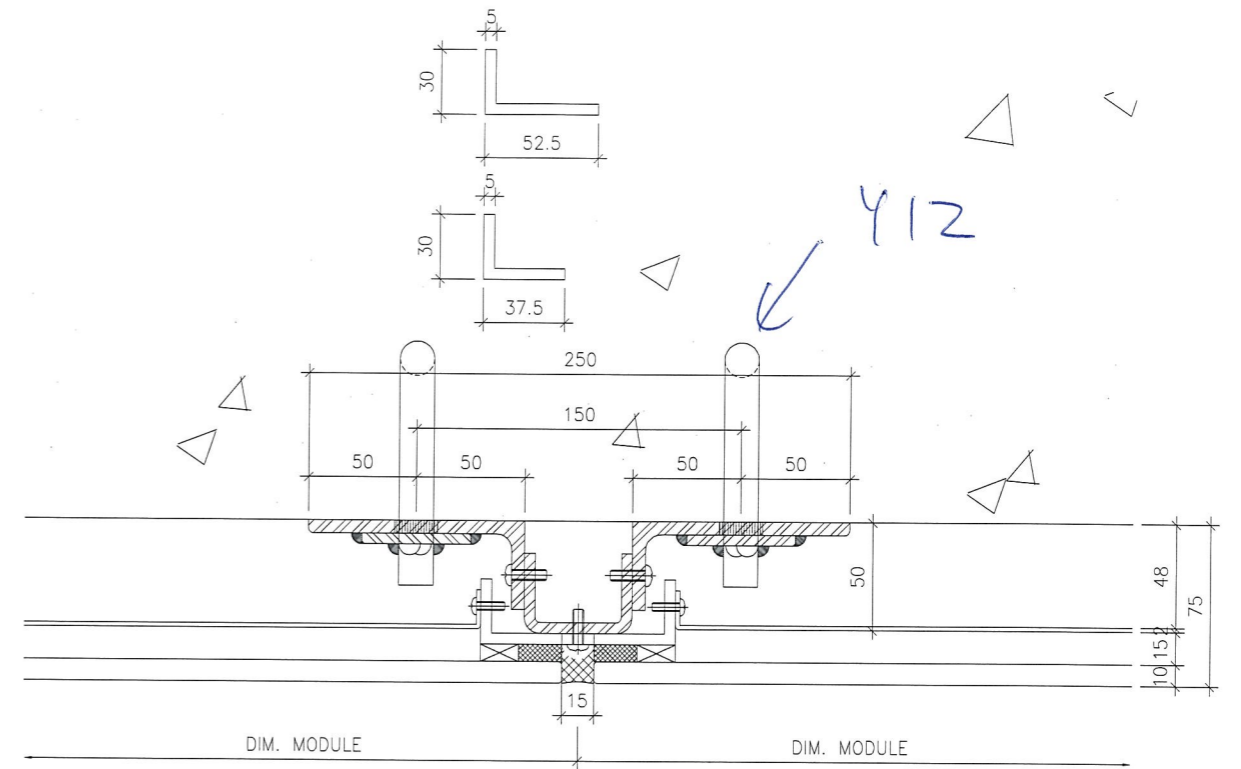
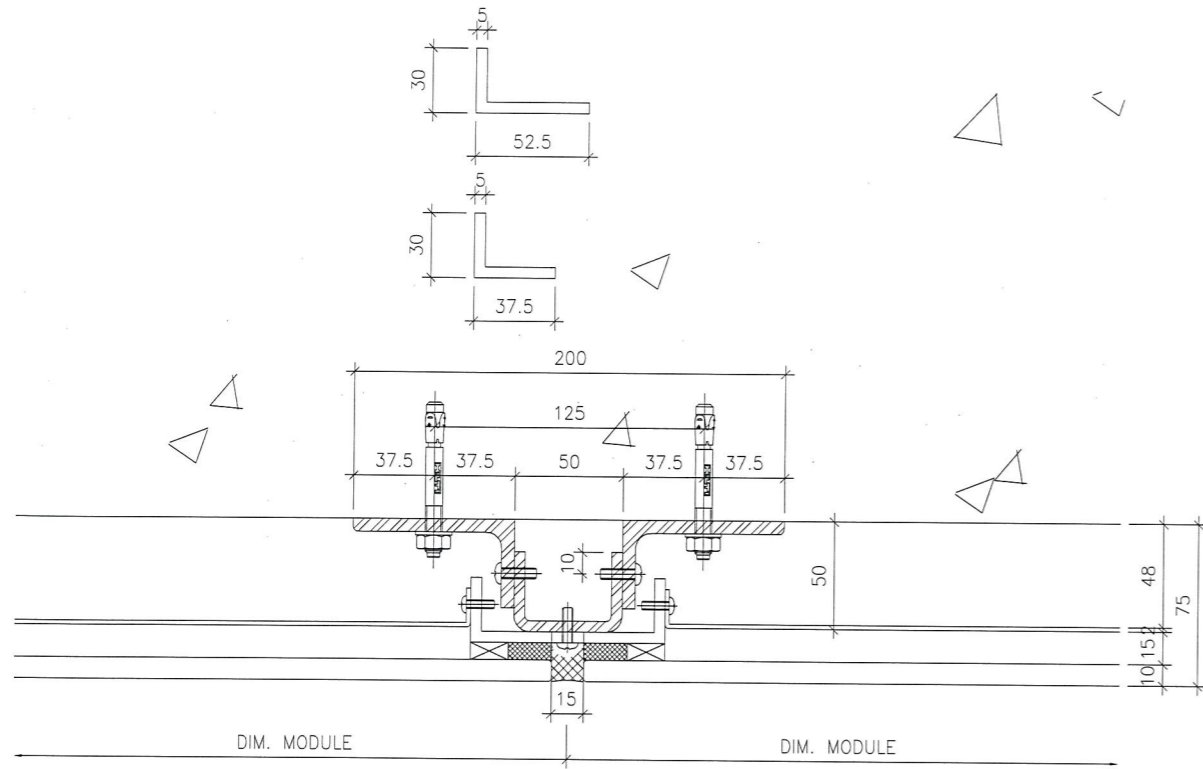
TITLE :
 SHOP DRAWING
 PRECAST CONCRETE FACADE
 T1PF-E-1 (6/F-26/F, 28/F-49/F ONLY)

Drawn	CAD	Checked	AC	Approved	LL
Scale	1 : 40(A3)	CAD File No.	Date	08.02.2018	
First Issued	08.02.2018	Drawing No.			Rev
Copyright Reserved					D

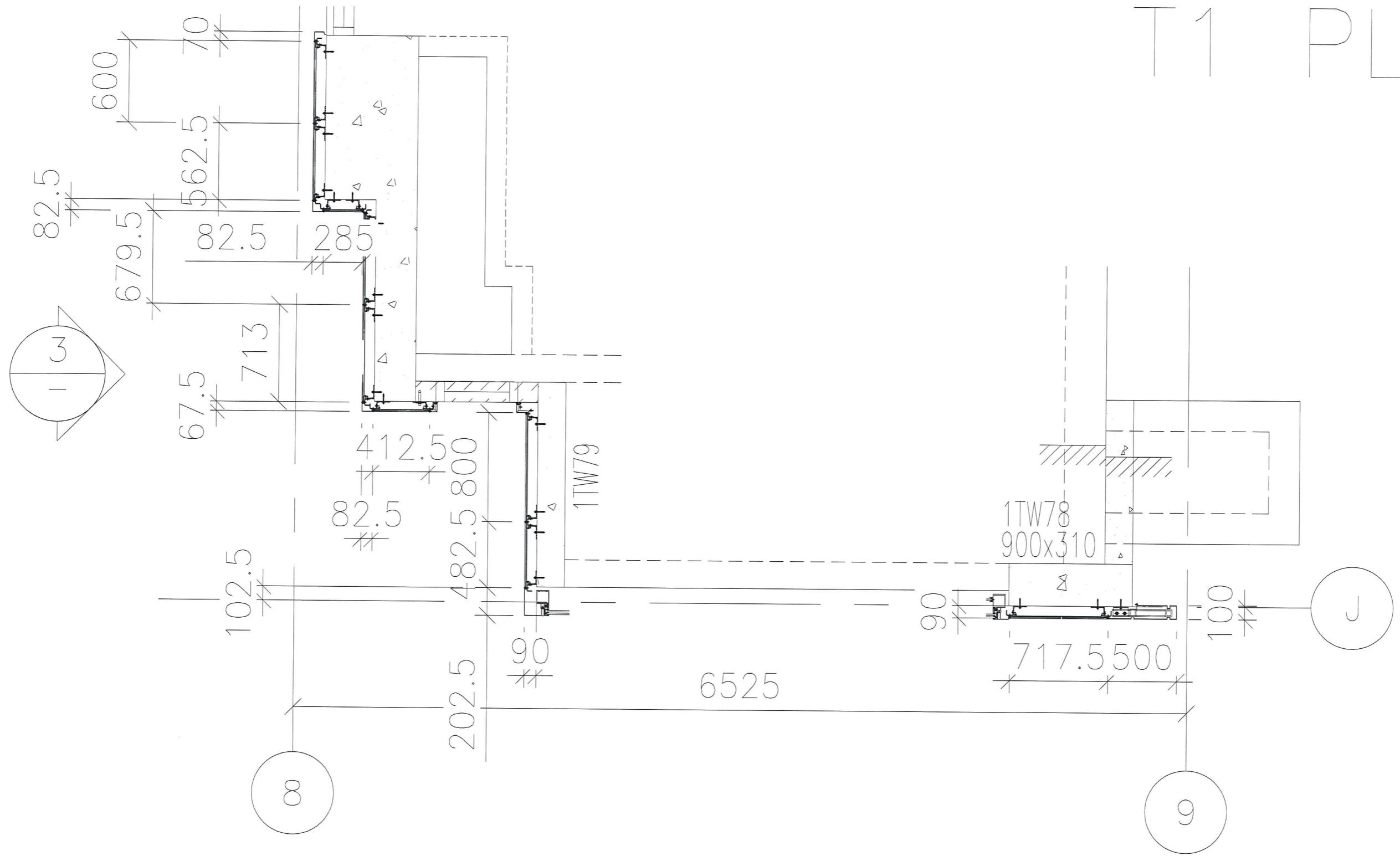
RP/J1802/SD/0109

THIS DRAWING IS COPYRIGHT AND MAY NOT BE REPRODUCED IN WHOLE OR IN PART WITHOUT THE PERMISSION OF REDLAND PRECAST

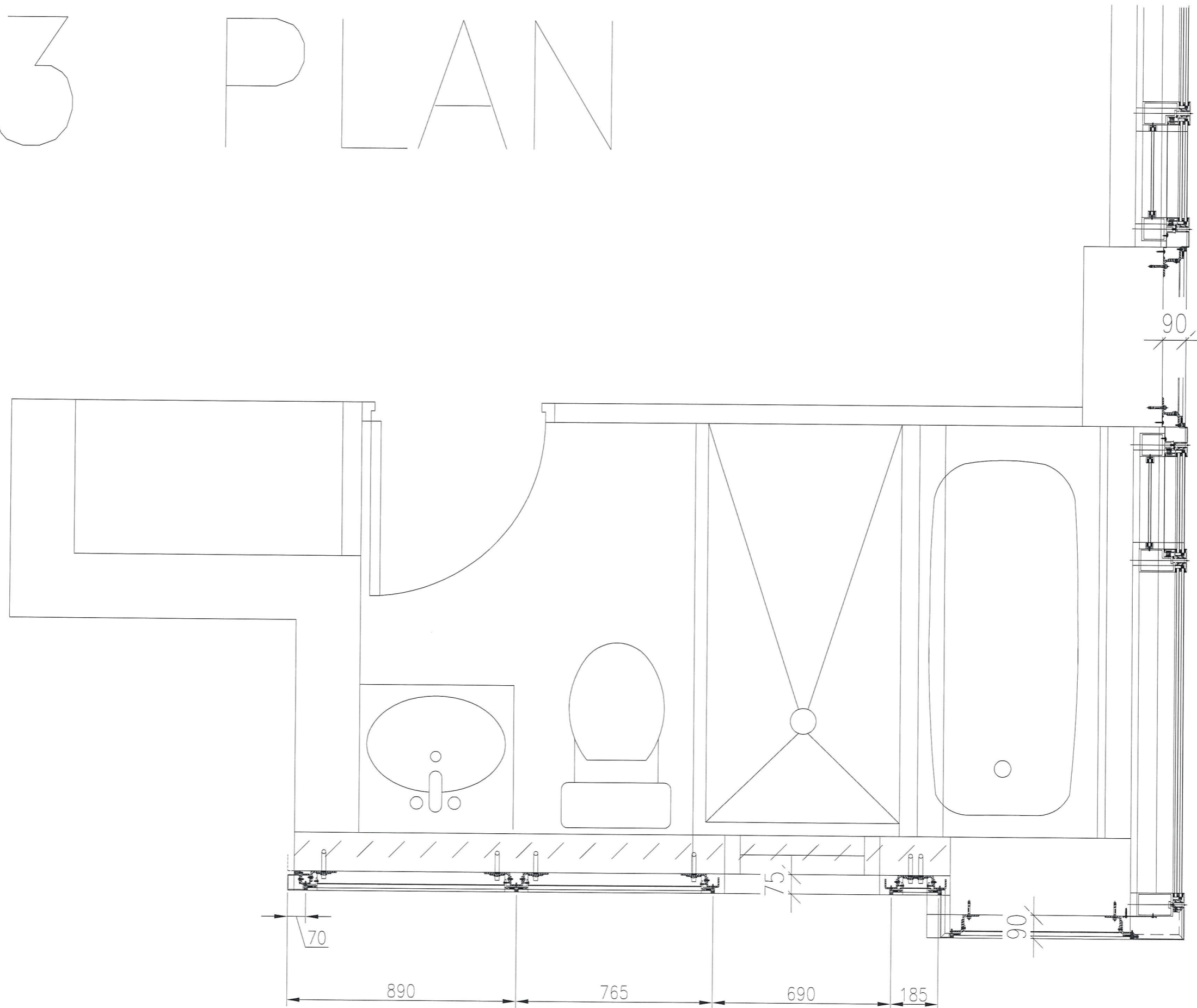
Detail

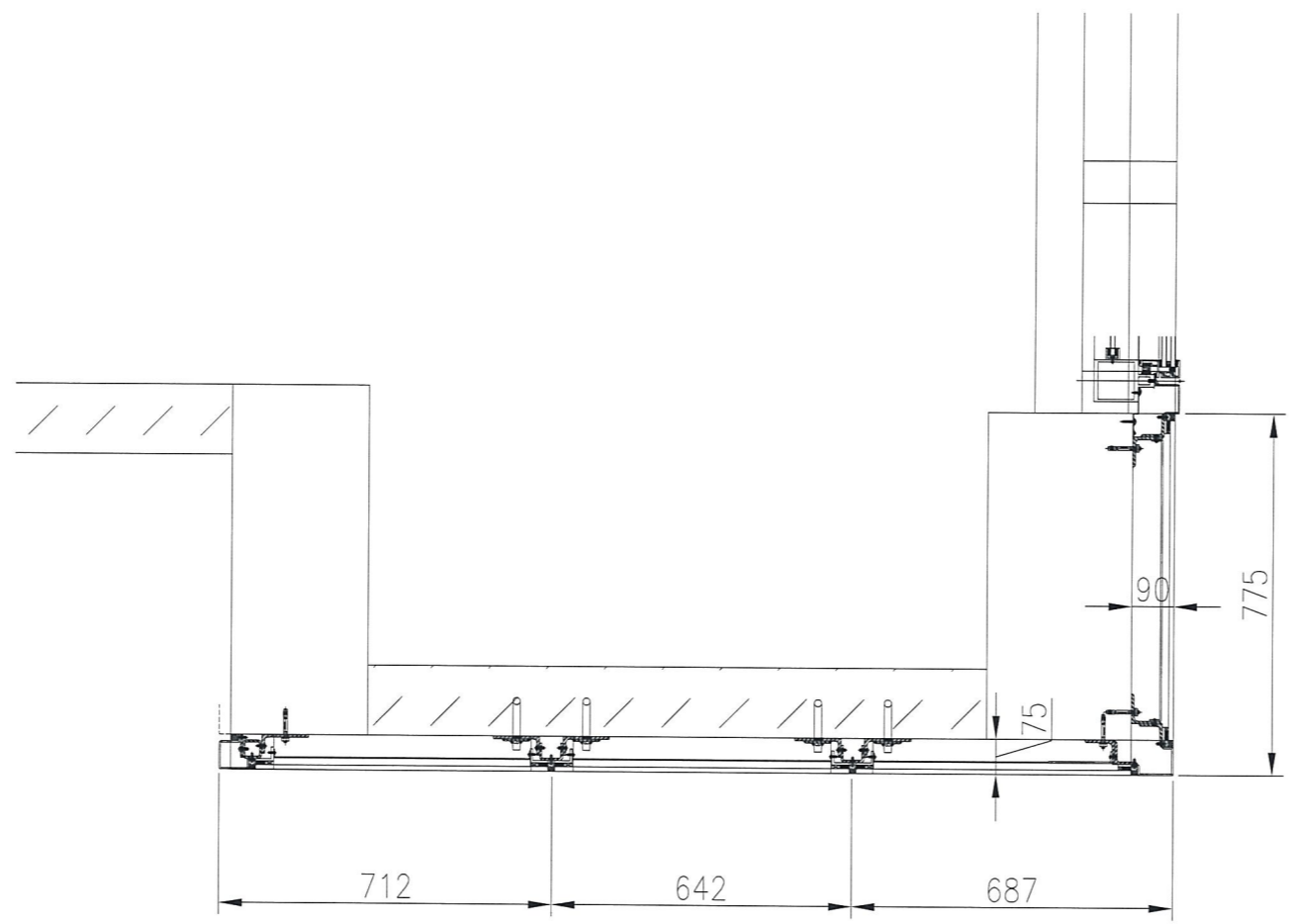


T1 PLAN



T3 PLAN





T5 PLAN