



工程指示 / 要求簡箋(E.I.)

工程指示編號：EI / 9626 / 19 修改版次：J

工程編號：J - 837 工程名稱：觀塘裕民坊

工程項目：後裝窗最新大圖

收件人：生統 / 永林 發件人：Bessie Lau 日期：08/03/2019

□要求提供 / □確認 事項：

- () 初步鋁料 B.M. () 加工拆圖，然後生產 () 尺寸表
- () 正式鋁料 B.M. () 技術上資料 / 指示 () 報價
- () 配件 B.M. () 樣辦或貨品說明書 () 分判合約
- () 其他：_____

內容：

現附上最新之大圖，煩請按此計算大貨玻璃 BM。



永林哥：部分更新的資料可參考 HK0543/19 (5/3/2019 發給你的)

附 CAD 檔：J-837 後裝窗 完整施工圖 第五版 (2019-3-7) .rar

**特式層後裝窗設計未定，不用計玻璃及不用做拆圖，現附上設計未定的圖紙。

請在 11/3/2019 前完成上列要求。

附有關圖紙 / 文件：


 永林哥留意!


另請留意大圖圖號 LW-2201 窗線 T2W/8 請按附件

以上項目為：計玻璃 3.0 = 740mm 高 (附 pdf 檔為準)

- 原合約工程包 原合約工程加 / 減賬 新工程報價

原因：-

分發東莞各部門：

- () 生產技術總監 連附件 () 技術部 連附件 () 生產部 連附件 () 機械設計部 連附件
- () 採購部 連附件 () 生產統籌部 連附件
- () 質檢部 連附件 () 會計部 連附件 () 報關組 連附件 () 其他 _____ 連附件

分發香港各部門：

- () 行政部 連附件 () 會計部 連附件 () 統籌部 連附件 () 工程部地盤科文 連附件
- () 採購部 連附件 () QS 部 連附件 () 維修部 連附件 () 其他 _____ 連附件

傳遞編號：

HK0575/19

發件人簽署：

項目經理簽署：

PROJECT :

URA KWUN TONG TOWN CENTRE
REDEVELOPMENT (AREA 2 & 3) AT NKIL 6514, KWUN TONG, KOWLOON

5

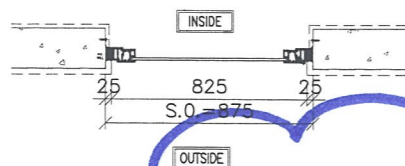
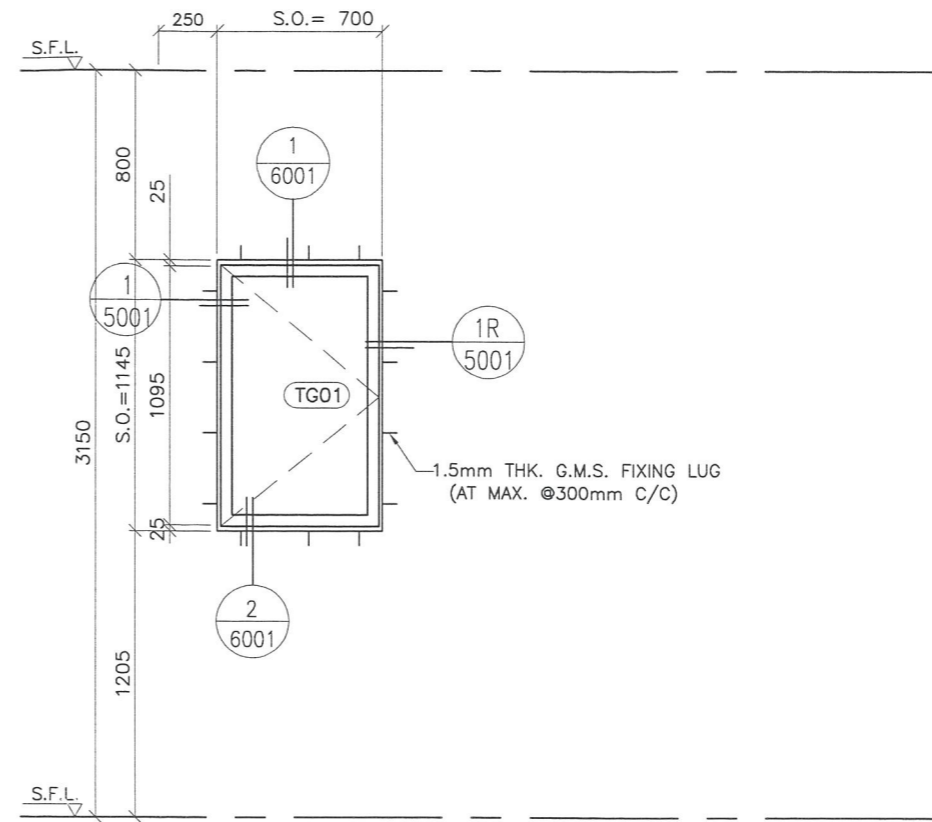
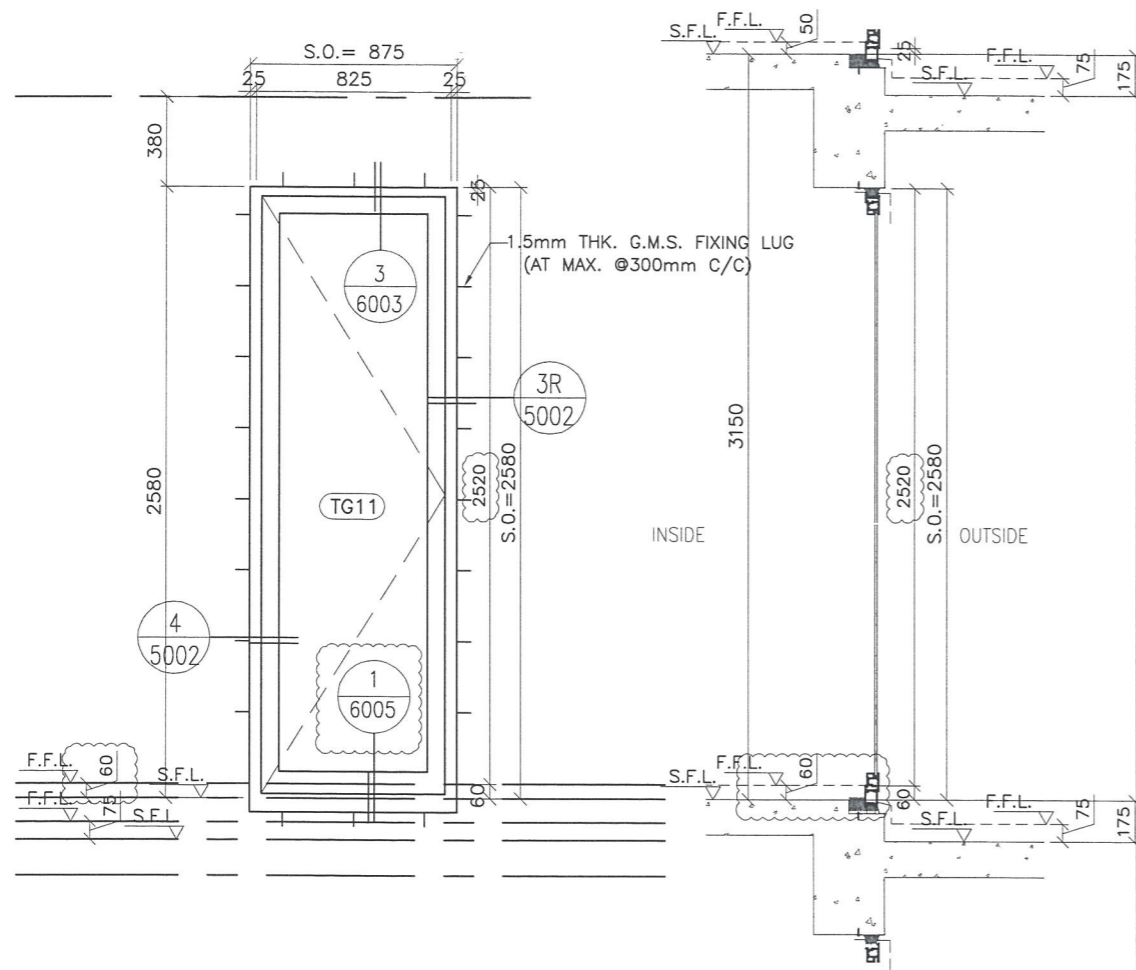
TITLE : SHOP DRAWING FOR
IN SITU ALUMINIUM WINDOW (FOR TOWER 1 TO TOWER 5) (FROM 6/F TO 55/F)

DATE: 1- MAR - 2019

7/3/2019 from fx

 美特鋁質有限公司 MIDI ALUMINIUM FABRICATOR LTD. Units 6-8, Sunray Industrial Centre, 1/F 610 Cho Kwo Ling Road, Kowloon Tel: 23489211-4 Fax: (852) 27727666	DWG NO. : JB37-IW-0000	REV. : D
---	------------------------	----------

ELEVATION



不用計玻璃

GLAZING AREA	Required =
	Provided = 1.43
OPENABLE AREA	Required =
	Provided = 1.67

要計玻璃

GLAZING AREA	Required =
	Provided = 0.4
OPENABLE AREA	Required =
	Provided = 0.49

WINDOW MARK	T1W D-6
SECTION :	50mm ALUM. SECTION
QTY.	1 NOS.
LOCATION :	T1 50/F FLAT D
GLAZING	8mm THK CLEAR TEMPERED GLASS
REMARK :	

WINDOW MARK	T1W E3
SECTION :	50mm ALUM. SECTION
QTY.	39 NOS. (TYPICAL)
LOCATION :	T1 6/F-26/F, 28/F-50/F FLAT E STORE
GLAZING	8mm blue tinted etched frosted tempered glass
REMARK :	

B.D. REF :

CLIENT :
信和置業有限公司
Sino Land Company Limited

ARCHITECT :
WONG TUNG & PARTNERS LIMITED
ARCHITECTS & PLANNERS

MAIN CONTRACTOR :
CR Construction Company Limited

STRUCTURAL ENGINEER :
AECOM

FAÇADE CONSULTANT :

NOTE :
1. ALL DIMENSIONS ARE IN mm.
2. ALL ELEVATIONS ARE VIEWED FROM OUTSIDE.
3. ALL DIMENSIONS TO BE VERIFIED ON SITE BEFORE FABRICATION.

LEGEND :
X1 --- DETAIL MARK NO.
X001 --- REFER SHEET NO.
1. F.F.L. --- FINISHED FLOOR LEVEL
2. S.F.L. --- STRUCTURAL FLOOR LEVEL
3. (R) --- REVERSED DETAIL

C	2019/3/6	BY ARCHITECT COMMENT	Zeng
B	2018/10/9	BY ARCHITECT COMMENT	Zeng
A	2018/07/27	BY ARCHITECT COMMENT	Zeng

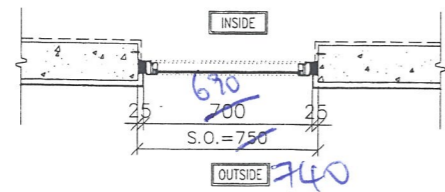
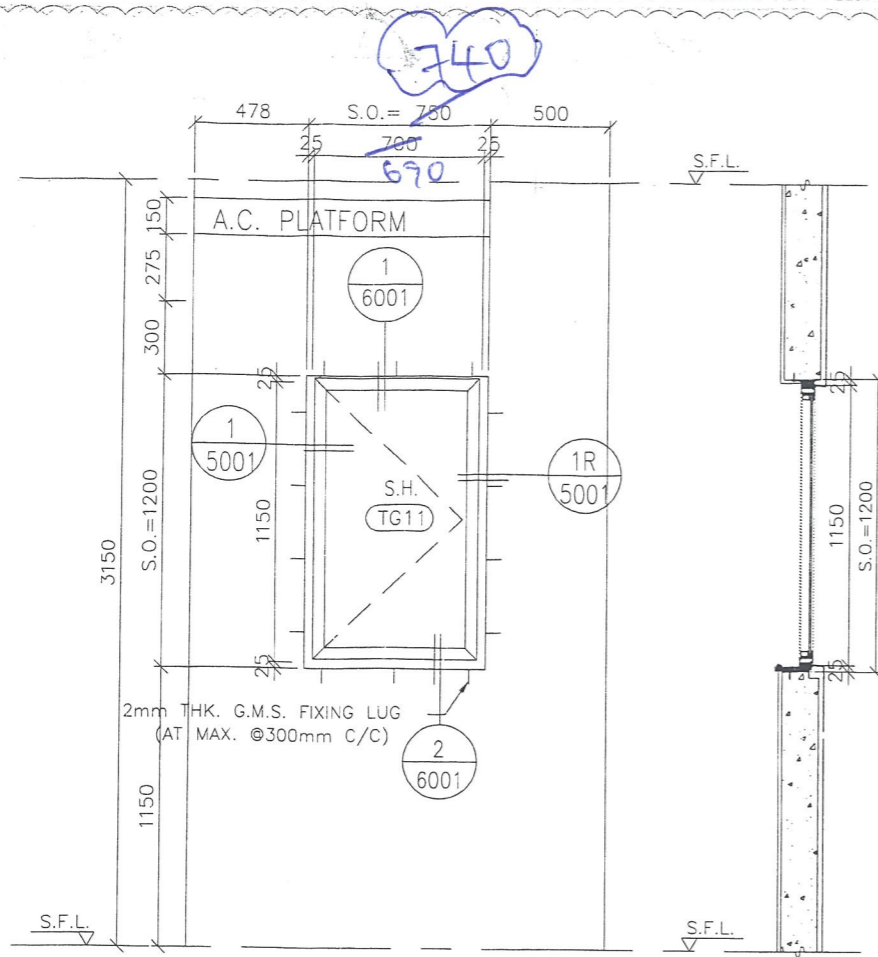
JOB NO. : J-837
PROJECT :
URA KWUN TONG TOWN CENTRE
REDEVELOPMENT (AREA 2 & 3) AT
NKIL 6514, KWUN TONG, KOWLOON

TITLE :
ALUM. WINDOW SCHEDULE
(FOR T1)

DATE : 09-JUL-18 SCALE : 1:##
DRAWN BY : Zeng CHECKED BY : DW

美特鋁質有限公司
MIDI ALUMINIUM FABRICATOR LTD.
Units 6-8, Sunray Industrial Centre, 1/F
610 Cha Kwo Ling Road, Kowloon
Tel:23489211-4 Fax:(852)27727666
DWG NO. : J837-IW-2107 REV. : B

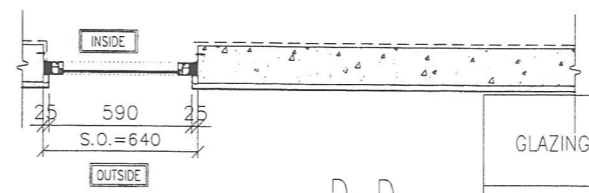
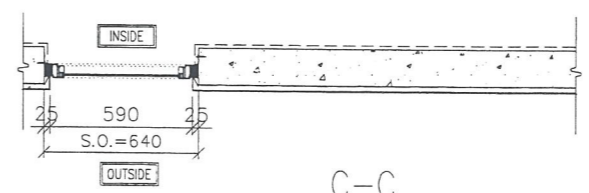
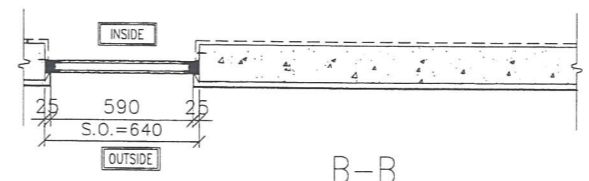
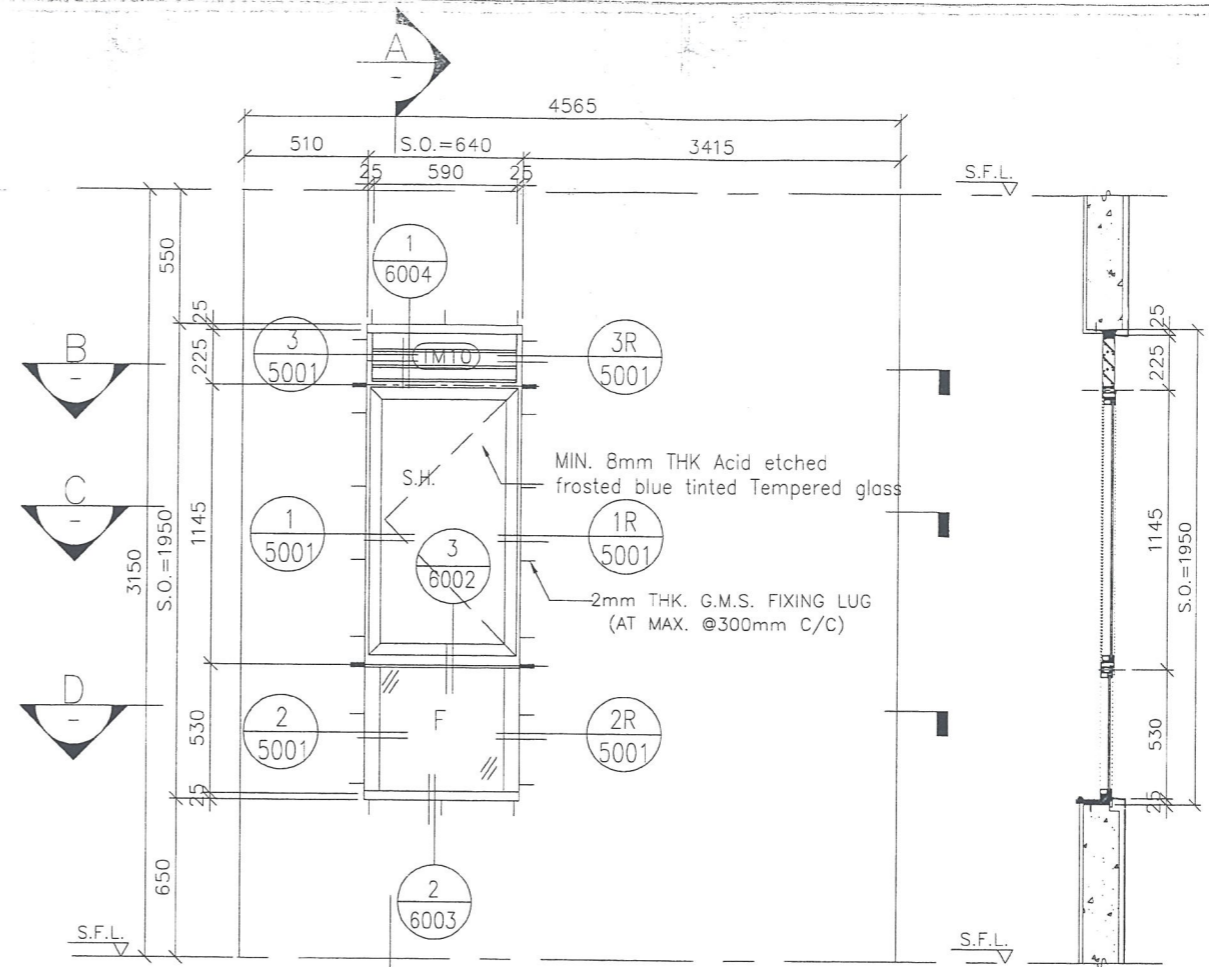
ELEVATION



S.O. = 740mm
 永林哥, 煩唔好此設計玻璃!

GLAZING AREA	Required =
	Provided = 0.59
OPENABLE AREA	Required =
	Provided = 0.68

WINDOW MARK	
SECTION :	50mm ALUM. SECTION
QTY.	43 NOS. (TYPICAL)
LOCATION :	T2 6/F-26/F, 28/F-55/F COMMON CORRIDOR
GLAZING	MIN. 8mm THK. CLEAR TEMPERED GLASS
REMARK :	ACCESS PANEL



GLAZING AREA	Required = 0.336
	Provided = 0.71
OPENABLE AREA	Required = 0.336
	Provided = 0.57

WINDOW MARK	
SECTION :	50mm ALUM. SECTION
QTY.	43 NOS. (TYPICAL)
LOCATION :	T2 6/F-26/F, 28/F-55/F FLAT M BATH
GLAZING	MIN. 8mm THK Acid etched frosted blue tinted Tempered glass

B.D. REF. :

CLIENT : 信和置業有限公司 Sino Land Company Limited

ARCHITECT : WONG TUNG & PARTNERS LIMITED ARCHITECTS & PLANNERS

MAIN CONTRACTOR : CR Construction Company Limited

STRUCTURAL ENGINEER : AECOM

FACADE CONSULTANT :

NOTE :

- ALL DIMENSIONS ARE IN mm.
- ALL ELEVATIONS ARE VIEWED FROM OUTSIDE.
- ALL DIMENSIONS TO BE VERIFIED ON SITE BEFORE FABRICATION.

LEGEND :

X1 --- DETAIL MARK NO.
 X001 --- REFER SHEET NO.

- F.F.L. --- FINISHED FLOOR LEVEL
- S.F.L. --- STRUCTURAL FLOOR LEVEL
- (R) --- REVERSED DETAIL

C	2018/11/29	BY ARCHITECT COMMENT	Zeng
B	2018/10/5	BY ARCHITECT COMMENT	Zeng
A	2018/07/27	BY ARCHITECT COMMENT	Zeng
NO.	DATE	REVISED	BY

JOB NO. : J-837

PROJECT : URA KWUN TONG TOWN CENTRE REDEVELOPMENT (AREA 2 & 3) AT NKIL 6514, KWUN TONG, KOWLOON

TITLE : ALUM. WINDOW SCHEDULE (FOR T2)

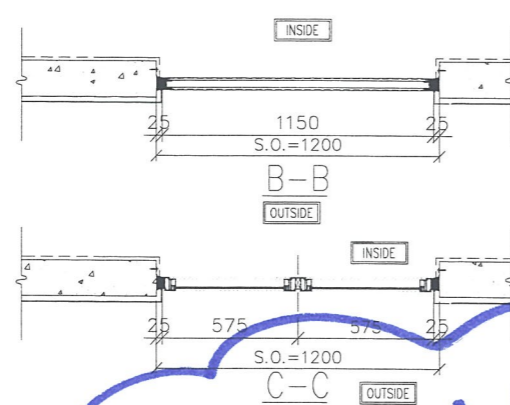
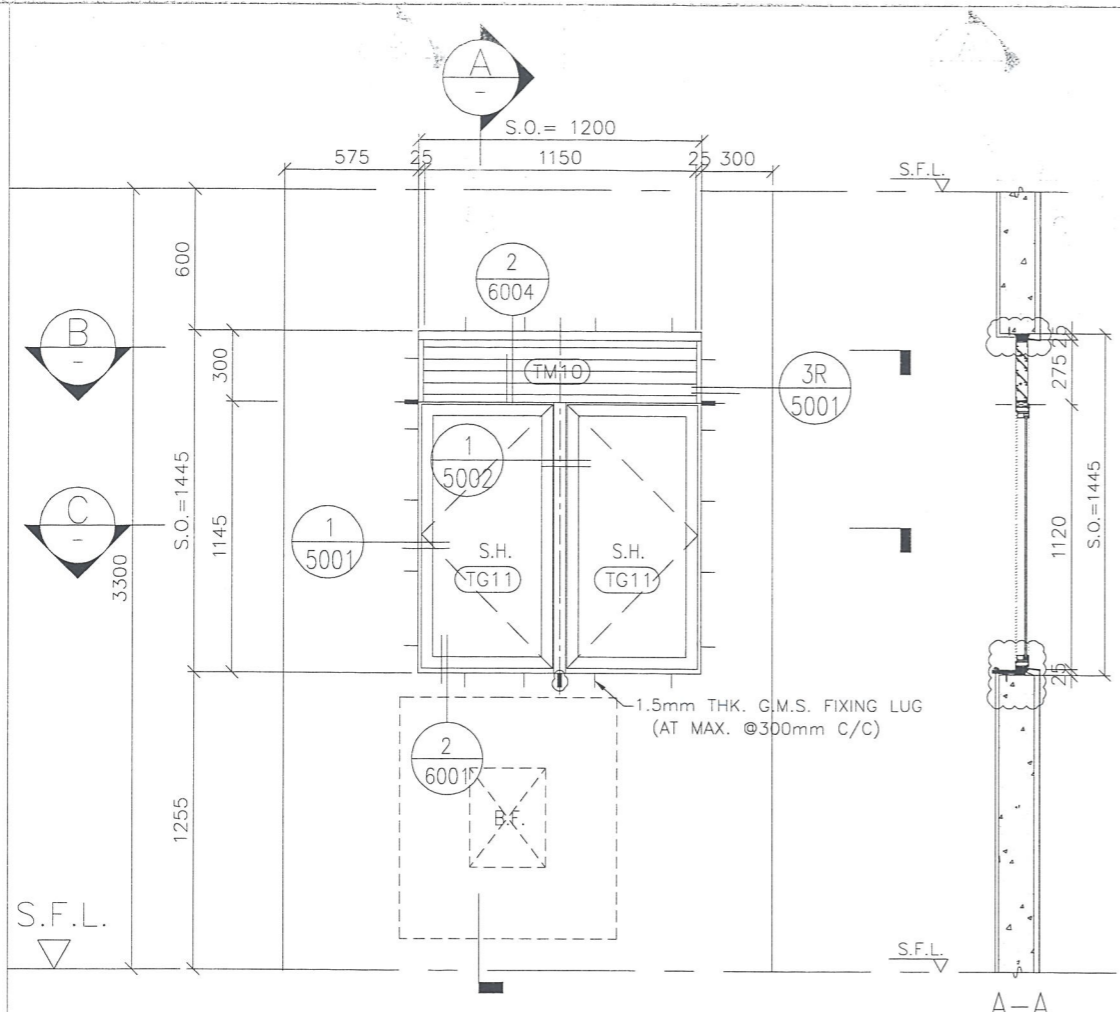
DATE : 09-JUL-18 SCALE : 1:30

DRAWN BY : Zeng CHECKED BY : DW

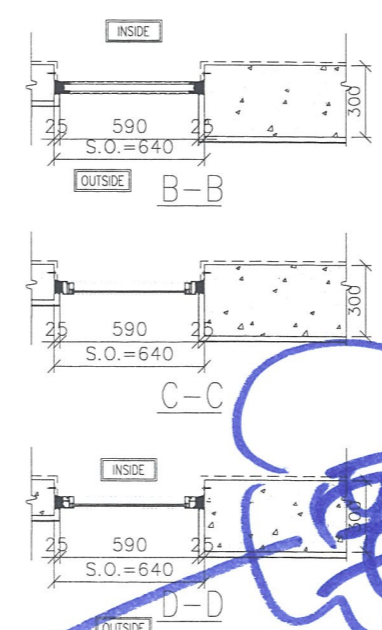
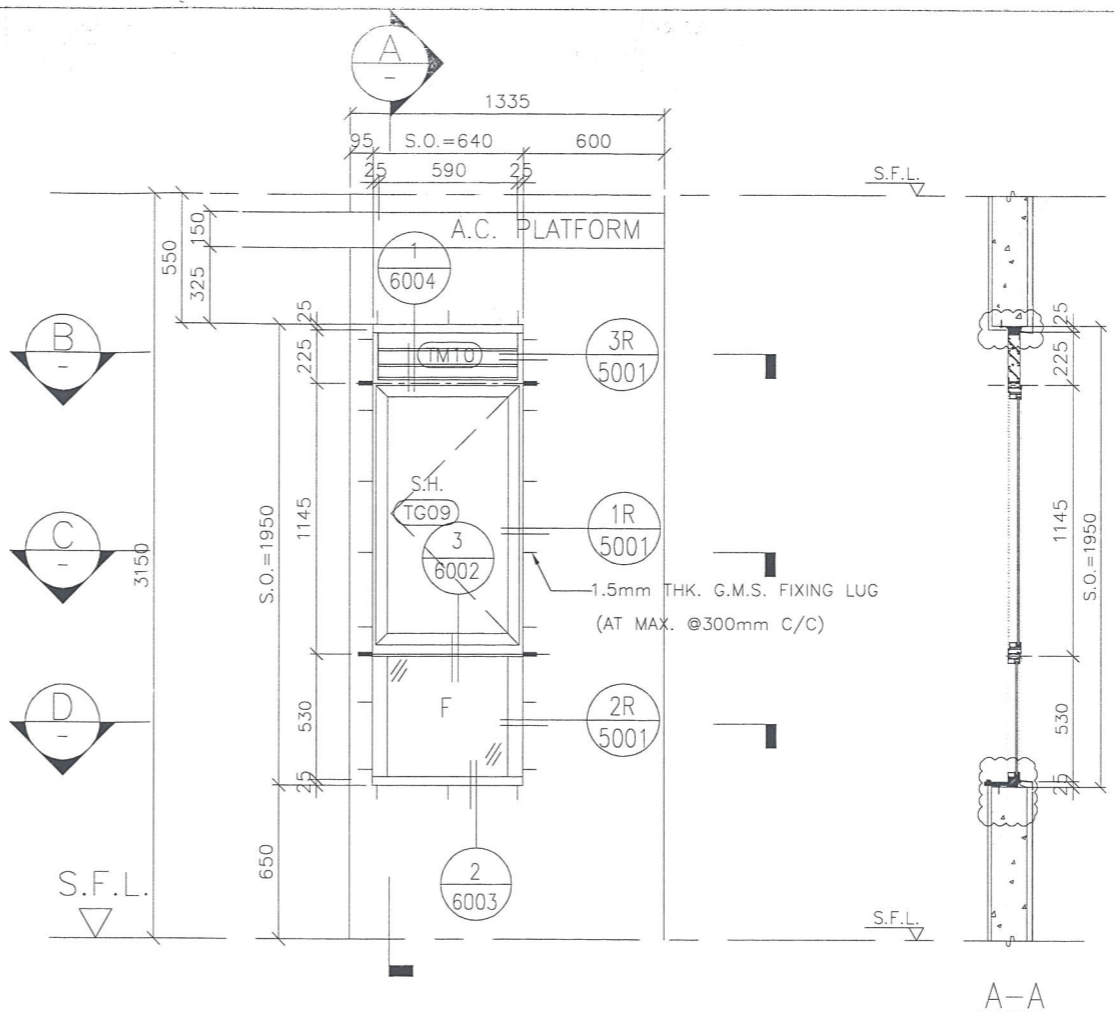
美特鋁質有限公司
 MIDI ALUMINIUM FABRICATOR LTD.
 Units 6-8, Sunray Industrial Centre, 1/F
 610 Che Kwo Ling Road, Kowloon
 Tel: 23489211-4 Fax: (852) 2727666

DWG NO. : J837-IW-2201 REV. C

ELEVATION



GLAZING AREA	Required =
	Provided = 1.04
OPENABLE AREA	Required =
	Provided = 1.08



GLAZING AREA	Required = 0.344
	Provided = 0.71
OPENABLE AREA	Required = 0.344
	Provided = 0.57

不用計

要計

WINDOW MARK	T2W G-4
SECTION :	50mm ALUM. SECTION
QTY.	1 NOS. (TYPICAL)
LOCATION :	55/F FLAT G KITCHEN
GLAZING	MIN. 8mm THK. CLEAR TEMPERED GLASS
REMARK :	

WINDOW MARK	T2W H-1
SECTION :	50mm ALUM. SECTION
QTY.	42 NOS. (TYPICAL)
LOCATION :	T2 6/F-26/F, 28/F-53/F FLAT H BATHROOM
GLAZING	MIN. 8mm THK ACID ETCHED FROSTED TEMPERED GLASS
REMARK :	

B.D. REF :

CLIENT : 信和置業有限公司 Sino Land Company Limited

ARCHITECT : WONG TUNG & PARTNERS LIMITED ARCHITECTS & PLANNERS

MAIN CONTRACTOR : CR Construction Company Limited

STRUCTURAL ENGINEER : AECOM

FAÇADE CONSULTANT :

NOTE :

- ALL DIMENSIONS ARE IN mm.
- ALL ELEVATIONS ARE VIEWED FROM OUTSIDE.
- ALL DIMENSIONS TO BE VERIFIED ON SITE BEFORE FABRICATION.

LEGEND :

X1 - DETAIL MARK NO.
X001 - REFER SHEET NO.

- F.F.L. -- FINISHED FLOOR LEVEL
- S.F.L. -- STRUCTURAL FLOOR LEVEL
- (R) -- REVERSED DETAIL

C	2019/1/30	BY ARCHITECT COMMENT	Zeng
B	2018/08/31	BY ARCHITECT COMMENT	Zeng
A	2018/07/27	BY ARCHITECT COMMENT	Zeng
NO.	DATE	REVISED	BY

JOB NO. : J-837

PROJECT : URA KWUN TONG TOWN CENTRE REDEVELOPMENT (AREA 2 & 3) AT NKIL 6514, KWUN TONG, KOWLOON

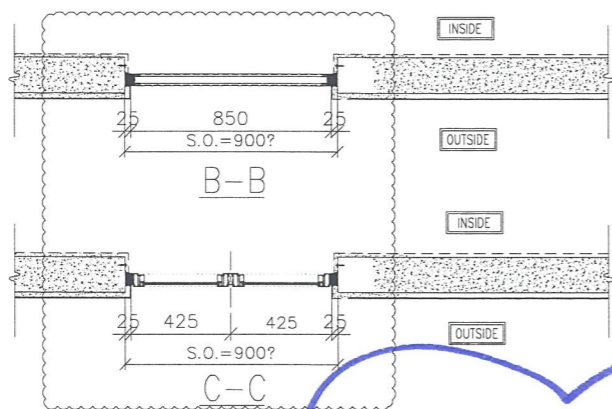
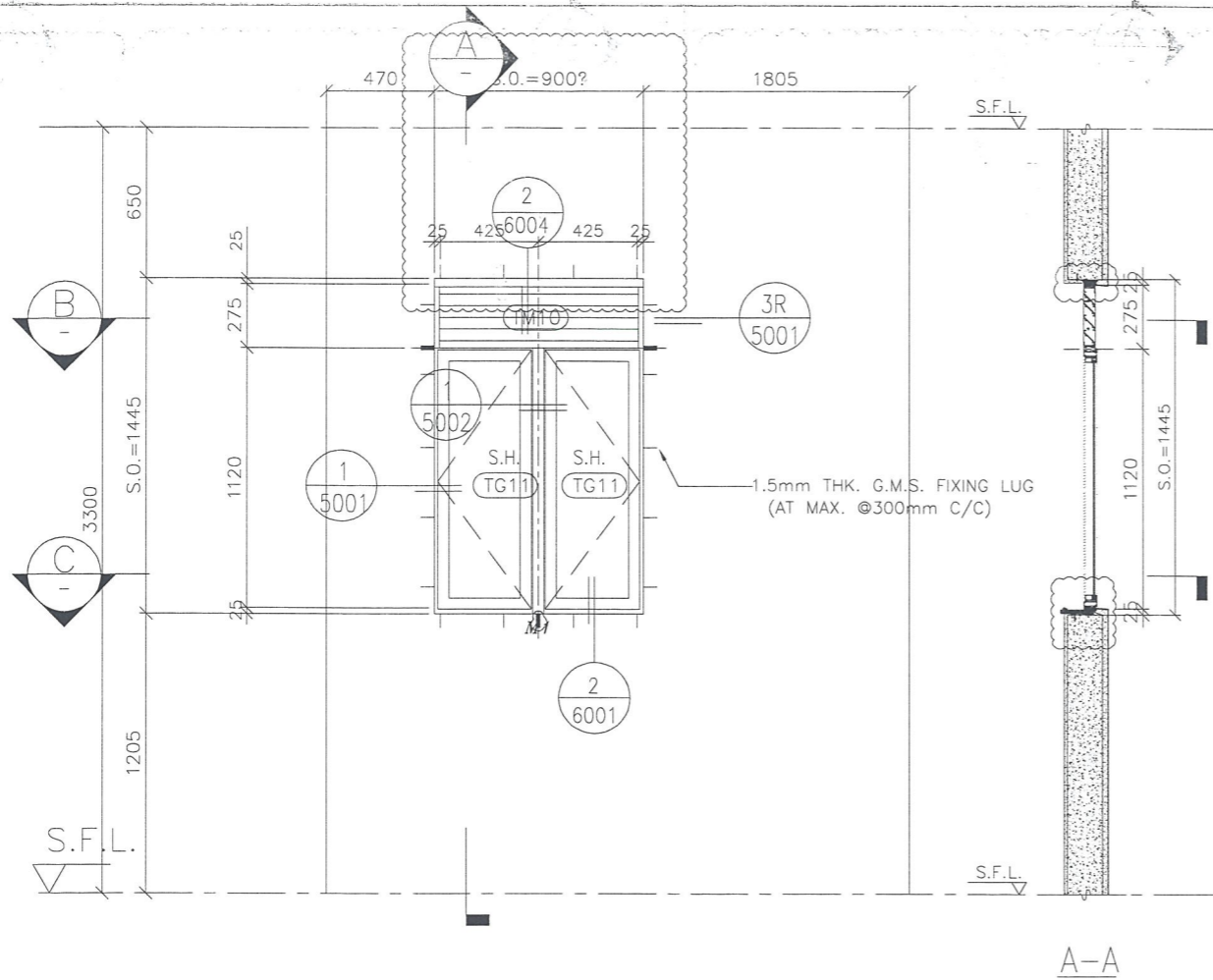
TITLE : ALUM. WINDOW SCHEDULE (FOR T2)

DATE : 09-JUL-18	SCALE : 1:30
DRAWN BY : Zeng	CHECKED BY : DW

美特鋁質有限公司
MIDI ALUMINIUM FABRICATOR LTD.
Units 6-B, Sunray Industrial Centre, 1/F
610 Cha Kwo Ling Road, Kowloon
Tel: 23489211-4 Fax: (852) 27727666

DWG NO. : J837-IW-2207 REV. : C

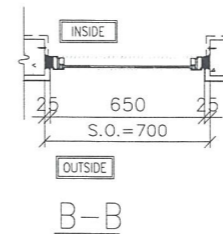
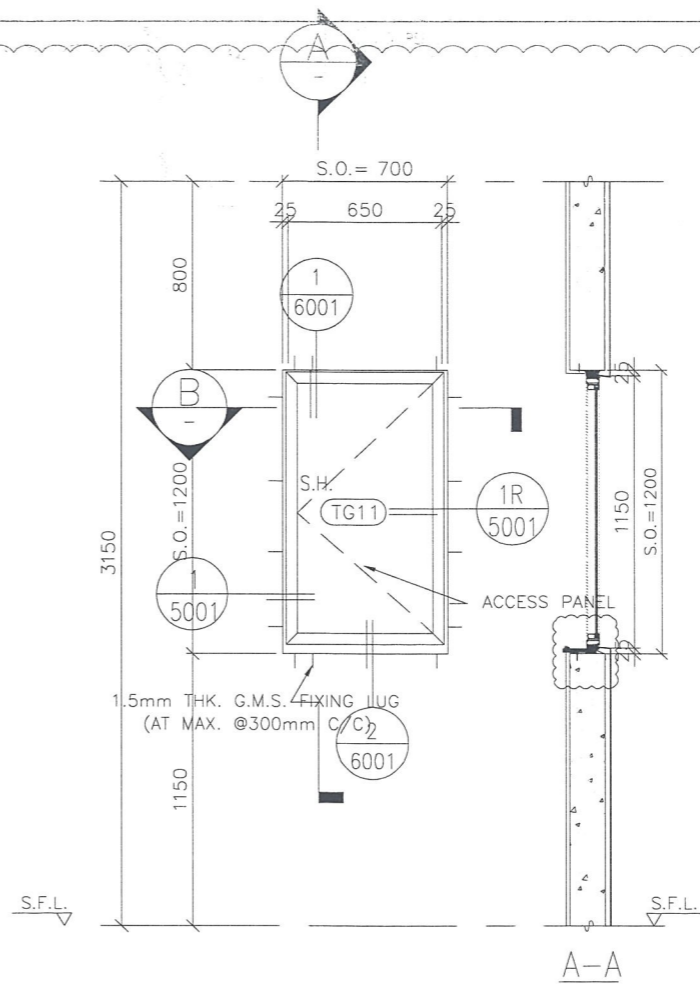
ELEVATION



GLAZING AREA	Required =
	Provided = 1.04
OPENABLE AREA	Required =
	Provided = 1.08

不用計

WINDOW MARK	T3W H-3
SECTION :	50mm ALUM. SECTION
QTY.	1 NOS.
LOCATION :	T3 52/F FLAT H KITCHEN
GLAZING	8mm THK. CLEAR TEMPERED GLASS
REMARK :	



GLAZING AREA	Required =
	Provided = 0.396
OPENABLE AREA	Required =
	Provided = 0.473

WINDOW MARK	T3W 3
SECTION :	50mm ALUM. SECTION
QTY.	41 NOS. (TYPICAL)
LOCATION :	T3 6/F-26/F, 28/F-52/F COMMON CORRIDOR
GLAZING	8mm THK ACID ETCHED FROSTED TEMPERED GLASS
REMARK :	OPENABLE WINDOW

要計

B.D. REF :

CLIENT :

信和置業有限公司
Sino Land Company Limited

ARCHITECT :
WONG TUNG & PARTNERS LIMITED
ARCHITECTS & PLANNERS



MAIN CONTRACTOR :

CR Construction Company Limited

STRUCTURAL ENGINEER :

AECOM

FACADE CONSULTANT :

NOTE :

1. ALL DIMENSIONS ARE IN mm.
2. ALL ELEVATIONS ARE VIEWED FROM OUTSIDE.
3. ALL DIMENSIONS TO BE VERIFIED ON SITE BEFORE FABRICATION.

LEGEND :

- x1 - DETAIL MARK NO.
- x001 - REFER SHEET NO.

1. F.F.L. -- FINISHED FLOOR LEVEL
2. S.F.L. -- STRUCTURAL FLOOR LEVEL
3. (R) -- REVERSED DETAIL

C	2019/1/30	BY ARCHITECT COMMENT	Zeng
B	2018/11/29	BY ARCHITECT COMMENT	Zeng
A	2018/07/27	BY ARCHITECT COMMENT	Zeng
NO.	DATE	REVISED	BY

JOB NO. : J-837

PROJECT :
URA KWUN TONG TOWN CENTRE
REDEVELOPMENT (AREA 2 & 3) AT
NKIL 6514, KWUN TONG, KOWLOON

TITLE :
ALUM. WINDOW SCHEDULE
(FOR T3)

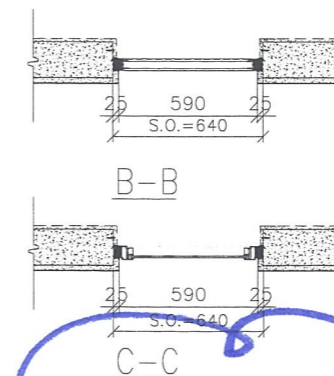
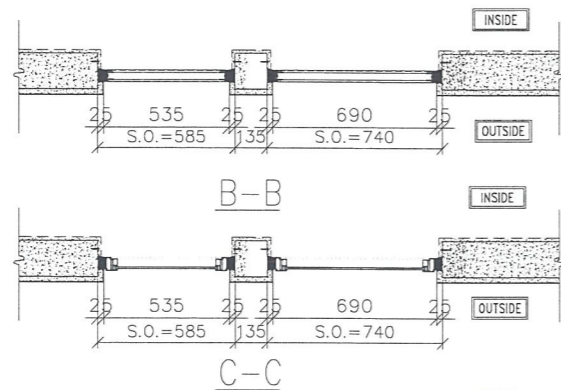
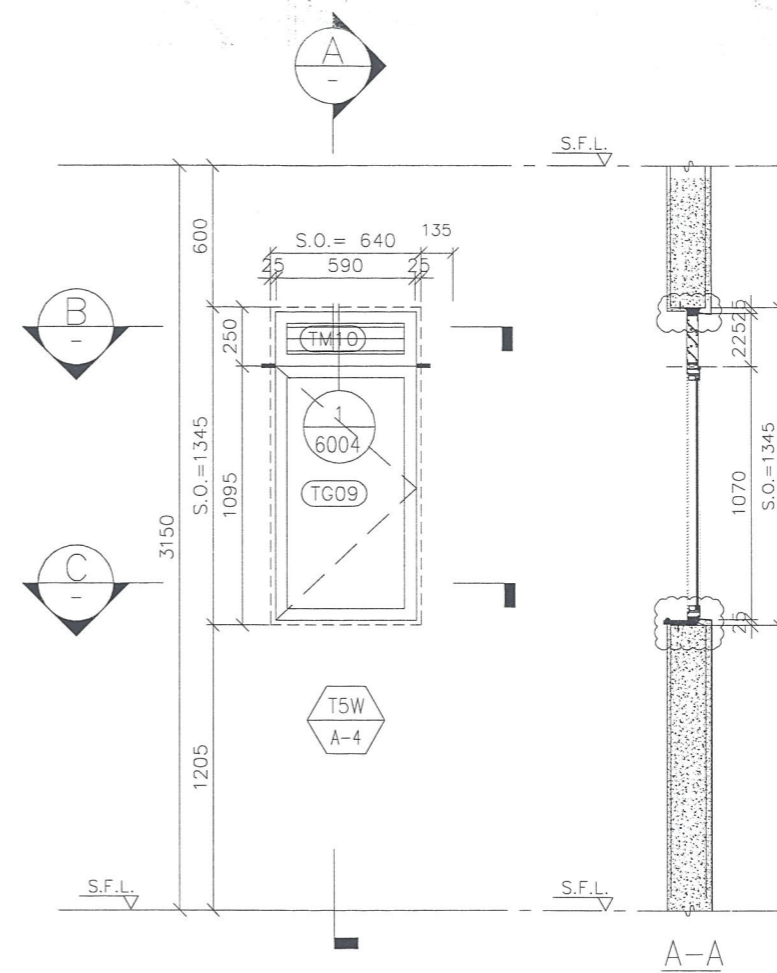
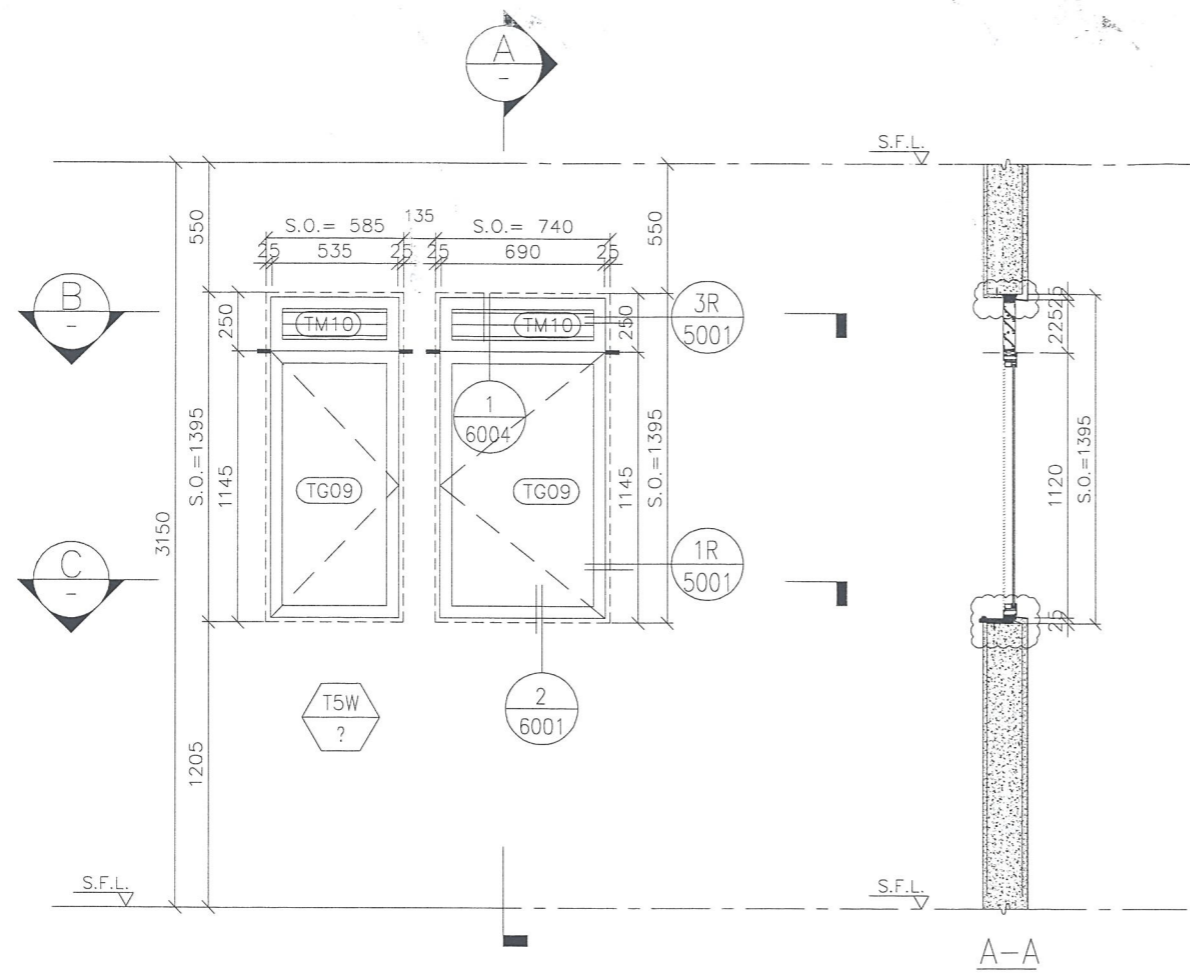
DATE : 09-JUL-18 SCALE : 1:30

DRAWN BY : Zeng CHECKED BY : DW

美特鋁質有限公司
MIDI ALUMINIUM FABRICATOR LTD.
Units 6-8, Sunray Industrial Centre, 1/F
610 Cha Kwo Ling Road, Kowloon
Tel: 23489211-4 Fax: (852) 27727666

DWG NO. : J837-IW-2306 REV. : C

ELEVATION



不用計

要計

GLAZING AREA	Required =
	Provided = 0.42
OPENABLE AREA	Required =
	Provided = 0.50

GLAZING AREA	Required =
	Provided = 0.48
OPENABLE AREA	Required =
	Provided = 0.66

GLAZING AREA	Required = 0.105
	Provided = 0.58
OPENABLE AREA	Required = 0.105
	Provided = 0.66

WINDOW MARK
T5W
M-BATH

SECTION : 50mm ALUM. SECTION

QTY. 1 NOS.

LOCATION : T5 51/F FLAT M BATH AND BATH1

GLAZING 8mm THK ACID ETCHED FROSTED TEMPERED GLASS

REMARK :

WINDOW MARK
T5W
A-4

SECTION : 50mm ALUM. SECTION

QTY. 38 NOS. (TYPICAL)

LOCATION : T5 7/F-26/F, 28/F-50/F FLAT L BATH

GLAZING 8mm THK ACID ETCHED FROSTED TEMPERED GLASS

REMARK :

B.D. REF :

CLIENT : 信和置業有限公司 Sino Land Company Limited

ARCHITECT : WONG TUNG & PARTNERS LIMITED ARCHITECTS & PLANNERS

MAIN CONTRACTOR : CR Construction Company Limited

STRUCTURAL ENGINEER : AECOM

FACADE CONSULTANT :

NOTE :

- ALL DIMENSIONS ARE IN mm.
- ALL ELEVATIONS ARE VIEWED FROM OUTSIDE.
- ALL DIMENSIONS TO BE VERIFIED ON SITE BEFORE FABRICATION.

LEGEND :

X1 - DETAIL MARK NO.
X001 - REFER SHEET NO.

- F.F.L. -- FINISHED FLOOR LEVEL
- S.F.L. -- STRUCTURAL FLOOR LEVEL
- (R) -- REVERSED DETAIL

C	2019/3/A	BY ARCHITECT COMMENT	Zeng
B	2018/11/13	BY ARCHITECT COMMENT	Zeng
A	2018/10/9	BY ARCHITECT COMMENT	Zeng
NO.	DATE	REVISED	BY

JOB NO. : J-837

PROJECT : URA KWUN TONG TOWN CENTRE REDEVELOPMENT (AREA 2 & 3) AT NKIL 6514, KWUN TONG, KOWLOON

TITLE : ALUM. WINDOW SCHEDULE (FOR T5)

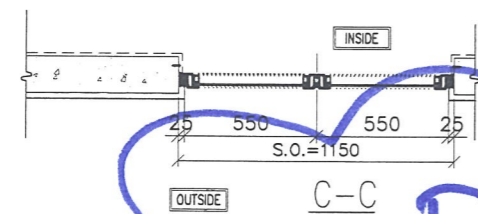
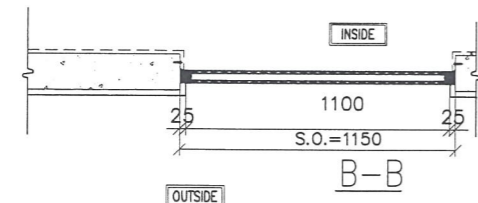
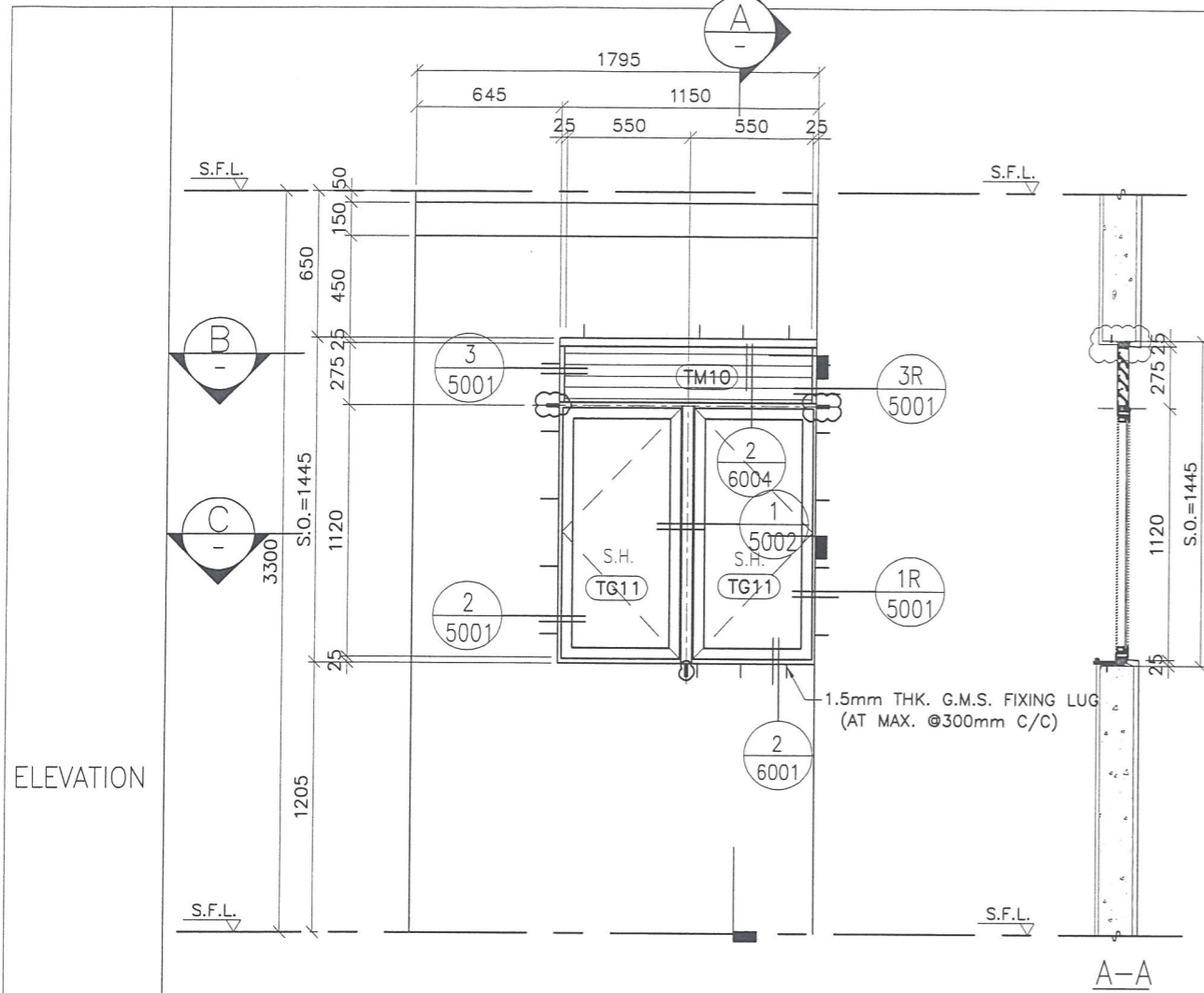
DATE : 09-JUL-18 SCALE : 1:30

DRAWN BY : Zeng CHECKED BY : DW

美特鋁質有限公司
MIDI ALUMINIUM FABRICATOR LTD.
Units 6-B, Sunray Industrial Centre, 1/F
610 Cha Kwo Ling Road, Kowloon
Tel: 23489211-4 Fax: (852) 2727866

DWG NO. : J837-IW-2504 REV. : C

In situ



GLAZING AREA	Required = 0.77
	Provided = 0.98
OPENABLE AREA	Required = 0.481
	Provided = 1.03

不用計

ELEVATION

WINDOW MARK
T1W
50A-KIT

SECTION : 50mm ALUM. SECTION
 QTY. 1 NOS.
 LOCATION : T1 50F FLAT A KITCHEN
 GLAZING 8mm THK CLEAR TEMPERED GLASS
 REMARK :

B.D. REF :

CLIENT :
 信和置業有限公司
 Sino Land Company Limited

ARCHITECT :
 WONG TUNG & PARTNERS LIMITED
 ARCHITECTS & PLANNERS

MAIN CONTRACTOR :
 CR Construction Company Limited

STRUCTURAL ENGINEER :
 AECOM

FACADE CONSULTANT:

NOTE :
 1. ALL DIMENSIONS ARE IN mm.
 2. ALL ELEVATIONS ARE VIEWED FROM OUTSIDE.
 3. ALL DIMENSIONS TO BE VERIFIED ON SITE BEFORE FABRICATION.

LEGEND :
 -- DETAIL MARK NO.
 -- REFER SHEET NO.
 1. F.F.L. -- FINISHED FLOOR LEVEL
 2. S.F.L. -- STRUCTURAL FLOOR LEVEL
 3. (R) -- REVERSED DETAIL

NO.	DATE	REVISED	BY
-----	------	---------	----

JOB NO. : J-837
 PROJECT :
 URA KWUN TONG TOWN CENTRE
 REDEVELOPMENT (AREA 2 & 3) AT
 NKIL 6514, KWUN TONG, KOWLOON

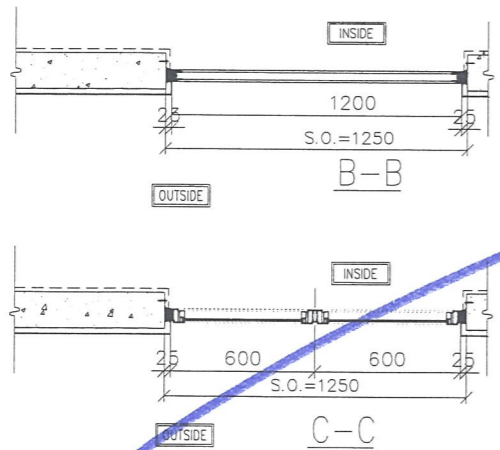
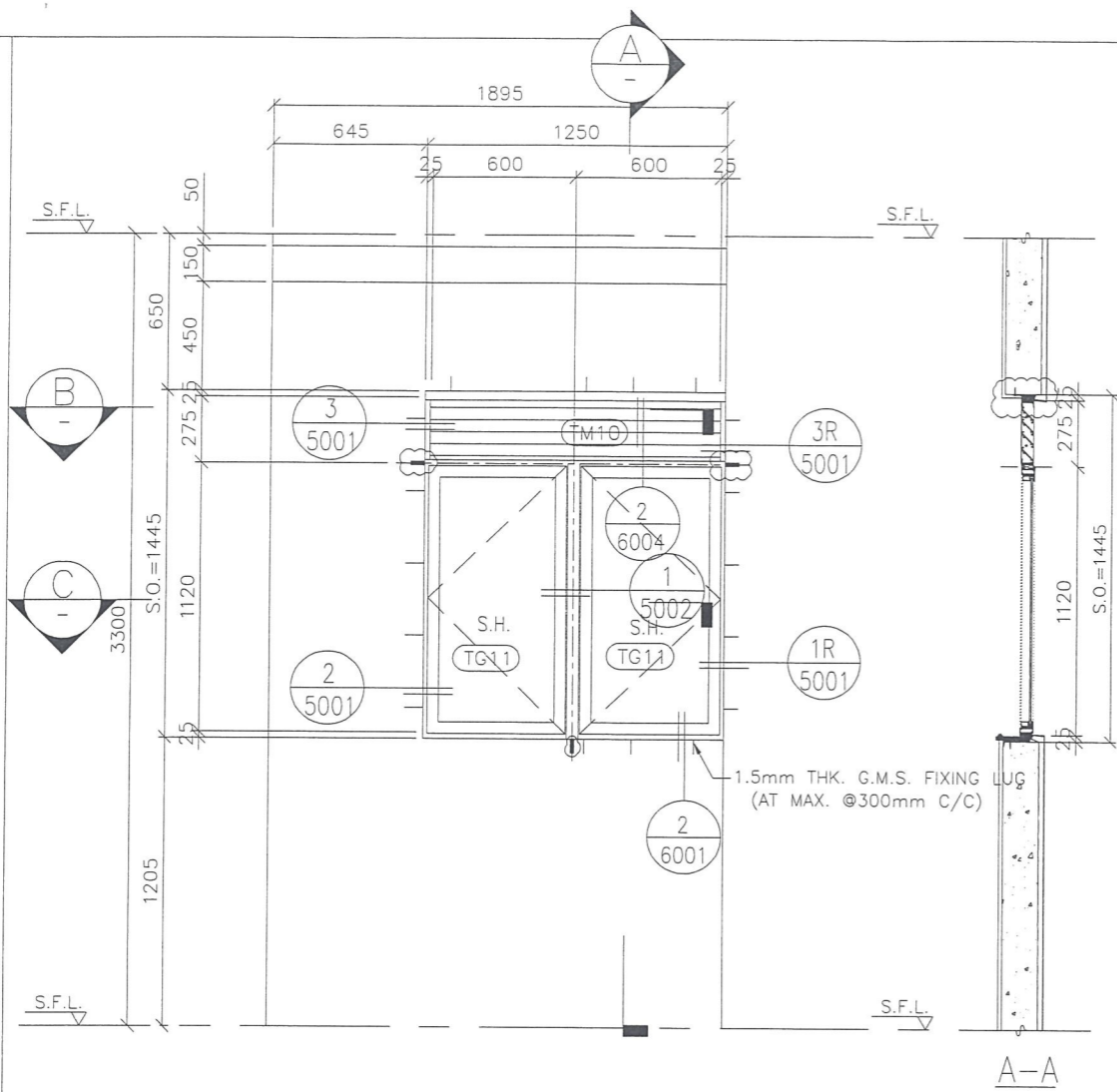
TITLE :
 ALUM. WINDOW SCHEDULE
 (FOR T1)

DATE : 09-JUL-18 SCALE : 1:30
 DRAWN BY : Zeng CHECKED BY : DW

英特鋁質有限公司
 MIDI ALUMINIUM FABRICATOR LTD.
 Units 6-8, Sunray Industrial Centre, 1/F
 610 Cha Kwo Ling Road, Kowloon
 Tel:23489211-4 Fax:(852)2727666

DWG NO. : J837-IW-210B REV. : -

ELEVATION



不用計

GLAZING AREA	Required = 0.786
	Provided = 0.108
OPENABLE AREA	Required = 0.491
	Provided = 1.13

WINDOW MARK	T3W 52D-KIT	T3H 52H-KIT
SECTION :	50mm ALUM. SECTION	50mm ALUM. SECTION
QTY.	1 NOS.	1 NOS.
LOCATION :	T3 52F FLAT D KITCHEN	T3 52F FLAT H KITCHEN
GLAZING	8mm THK CLEAR TEMPERED GLASS	8mm THK CLEAR TEMPERED GLASS
REMARK :		

B.D. REF :

CLIENT :
信和置業有限公司
Sino Land Company Limited

ARCHITECT :
WONG TUNG & PARTNERS LIMITED
ARCHITECTS & PLANNERS
WT

MAIN CONTRACTOR :
CR Construction Company Limited

STRUCTURAL ENGINEER :
AECOM

FACADE CONSULTANT:

NOTE :
1. ALL DIMENSIONS ARE IN mm.
2. ALL ELEVATIONS ARE VIEWED FROM OUTSIDE.
3. ALL DIMENSIONS TO BE VERIFIED ON SITE BEFORE FABRICATION.

LEGEND :
X1 --- DETAIL MARK NO.
X001 --- REFER SHEET NO.
1. F.F.L. --- FINISHED FLOOR LEVEL
2. S.F.L. --- STRUCTURAL FLOOR LEVEL
3. (R) --- REVERSED DETAIL

NO.	DATE	REVISED	BY
JOB NO. : J-837			
PROJECT : URA KWUN TONG TOWN CENTRE REDEVELOPMENT (AREA 2 & 3) AT NKIL 6514, KWUN TONG, KOWLOON			

TITLE :
ALUM. WINDOW SCHEDULE
(FOR T3)

DATE : 09-JUL-18 SCALE : 1:30
DRAWN BY : Zeng CHECKED BY : DW

MIDI 美特鋁質有限公司
MIDI ALUMINIUM FABRICATOR LTD.
Units 6-8, Sunray Industrial Centre, 1/F
610 Cha Kwo Ling Road, Kowloon
Tel: 23489211-4 Fax: (852) 27727666
DWG NO. : JB37-IW-2307 REV. : -

永林哥:

(HK 0543/19)

關於附件 EI0281, 煩請留意以下事項:

1. 由於則師更改了玻璃種類, 煩請留意 BM 表中第 15~17 項及第 23 項都是重訂的玻璃, 此 4 幅窗大貨之玻璃種類也請按照附件 BM。
2. 所有 ACCESS PANEL 包括 BM 中第 1 項至第 14 項我都自行改成用(TG09) 8mm THK ACID ETCHED FROSTED TEMPERED GLASS (D18061228)
3. T2W/8 的拆圖我自行把闊度減少 10mm, 即 SO=740mm, 煩請確定附件玻璃 BM 第 12 項的玻璃闊度你是按 SO=740mm 來計算的。大貨也是用 SO=740mm 來計算。
4. 玻璃 BM 第 18 項, FD 門 T1W/F-2 因地台高度增加 10mm, 所以門高度要減少 10mm, 我已自行把玻璃高度減少 10mm。

以上更改適用於大貨玻璃 BM。

Bessie

5/3/2019



工程指示 / 要求簡箋(E.I.)

工程指示編號：EI / 0281 / 19 修改版次：
 工程編號：J - 837 工程名稱：觀塘裕民坊
 工程項目：增訂 8/F 辦房地盤用玻璃 (後裝 AP + 佛沙轉後裝窗 AP+FD 門)
 收件人：Maggie 發件人：Bessie 日期：05/03/2019

要求提供 / 確認 事項：

- | | | |
|------------------------------------|-------------------------------------|-------------------------------|
| <input type="checkbox"/> 初步鋁料 B.M. | <input type="checkbox"/> 加工拆圖，然後生產 | <input type="checkbox"/> 尺寸表 |
| <input type="checkbox"/> 正式鋁料 B.M. | <input type="checkbox"/> 技術上資料 / 指示 | <input type="checkbox"/> 報價 |
| <input type="checkbox"/> 配件 B.M. | <input type="checkbox"/> 樣辦或貨品說明書 | <input type="checkbox"/> 分判合約 |
| <input type="checkbox"/> 其他：_____ | | |

內容：

煩請按此增訂 8/F 辦房用玻璃

(後加 ACCESS PANEL 及後裝 FD 門用)

送地盤

*不用熱浸測試，不用強化標籤

請在 22/3/19 前完成上列要求。

已閱有哥，不用分座數出貨

附： 頁

以上項目為：

- 原合約工程包 原合約工程加 / 減賬 新工程報價

原因：-

分發東莞各部門：

- () 生產技術總監 連附件 () 技術部 連附件 () 生產部 連附件 () 機械設計部 連附件
 () 採購部 連附件 () 生產統籌部 連附件
 () 質檢部 連附件 () 會計部 連附件 () 報關組 連附件 () 其他 _____ 連附件

分發香港各部門：

- () 行政部 連附件 () 會計部 連附件 () 統籌部 連附件 () 工程部地盤科文 連附件 有哥/有馬
 () 採購部 連附件 () QS 部 連附件 () 維修部 連附件 () 其他 _____ 連附件

傳遞編號：

HK0542 / 19


發件人簽署：

(Handwritten signature)

項目經理簽署：

(Handwritten signature)

美特鋁質有限公司 MTP Aluminium Fabricator Ltd.		J837		計算:		陳俊權		日期:		2019.1.13		送呈:	
觀塘裕民坊		後加ACCESS PANEL及後裝FFD門		核對:		謝永林		日期:		2019.1.13		副本:	
地盤用玻璃B.M.表		後加ACCESS PANEL及後裝FFD門		批准:				日期:		15.99		A/C Code:	
BM編		S37-A1-M01-S-GP02		總計玻璃面積(平方米):		合計		合計		15.99			
序號	玻璃圖號	顏色與類型	厚度(mm)	玻璃尺寸	高度(H mm)	數量	總面積(平方米)	使用位置	計算參考數值/所屬位置分格			樓層	位置說明
									寬度(W mm)	分屬類型	分格寬度		
1	PW-G40	TG09	8.0	634.0	1069.0	1	0.68	T2W-6	SH生窗	750.0	1200.0	8F	佛沙窗轉後裝窗AP
2	PW-G21	TG09	8.0	584.0	1069.0	1	0.62	T1W-6	SH生窗	700.0	1200.0	8F	佛沙窗轉後裝窗AP
3	(待定)PW-G21	TG09	8.0	584.0	1069.0	1	0.62	T3W-2	SH生窗	700.0	1200.0	8F	佛沙窗轉後裝窗AP
4	PW-G21	TG09	8.0	584.0	1069.0	1	0.62	T1W-2	SH生窗	700.0	1200.0	8F	佛沙窗轉後裝窗AP
5	PW-G21	TG09	8.0	584.0	1069.0	1	0.62	T1W-5	SH生窗	700.0	1200.0	8F	佛沙窗轉後裝窗AP
6	PW-G21	TG09	8.0	584.0	1069.0	1	0.62	T2W-1	SH生窗	700.0	1200.0	8F	佛沙窗轉後裝窗AP
7	PW-G21	TG09	8.0	584.0	1069.0	1	0.62	T3W-4	SH生窗	700.0	1200.0	8F	佛沙窗轉後裝窗AP
8	PW-G22	TG09	8.0	484.0	1069.0	1	0.52	T5W-1	SH生窗	600.0	1200.0	8F	佛沙窗轉後裝窗AP
9	PW-G22	TG09	8.0	484.0	1069.0	1	0.52	T5W-3	SH生窗	600.0	1200.0	8F	佛沙窗轉後裝窗AP
10	PW-G41	TG09	8.0	484.0	1069.0	1	0.52	T1W-4	SH生窗	600.0	1200.0	8F	佛沙窗轉後裝窗AP(by bessie)
					合計	10	5.98						
11	(待定)IW-G31	TG09	8.0	604.0	1052.0	1	0.64	T1W-3	SH生窗	700.0	1150.0	8F	後裝窗AP
12	IW-G32	TG09	8.0	594.0	1052.0	1	0.62	T2W-8	SH生窗	690.0	1150.0	8F	後裝窗AP(永林已把闊度已減少10mm)
13	IW-G33	TG09	8.0	554.0	1052.0	1	0.58	T3W-3	SH生窗	650.0	1150.0	8F	後裝窗AP
14	IW-G34	TG09	8.0	504.0	1052.0	1	0.53	T1W-7	SH生窗	600.0	1150.0	8F	後裝窗AP(by bessie)
					合計	4	2.37						
15	PW-G101	TG09	8.0	534.0	999.0	1	0.53	T1W/D-4	SH生窗	640.0	1120.0	8F	佛沙窗轉後裝窗, 因轉玻璃, 重訂
16	PW-G08	TG09	8.0	484.0	999.0	1	0.48	T2W/G-3	SH生窗	590.0	1120.0	8F	佛沙窗轉後裝窗, 因轉玻璃, 重訂
17	IW-G15	TG09	8.0	494.0	997.0	1	0.49	T2W/N-1	SH生窗	590.0	1095.0	8F	後裝窗, 因轉玻璃, 重訂
					合計	3	1.51						

 美特鋁質有限公司 Mei Te Aluminum Fabricator Ltd.	J837		計算:	陳俊樺	日期:	2019.1.13	送呈:	
	觀塘裕民坊		核對:	謝永林	日期:	2019.1.13	副本:	
地盤用玻璃B.M.表		後加ACCESS PANEL及後裝FD門		批准:	日期:		A/C Code:	
BM編	837-W1-M01-S-GP02	總計玻璃面積 (平方米):		合計	日期:	15.99		

序號	玻璃圖號	顏色與類型	厚度 (mm)	玻璃尺寸	高度 (H mm)	數量 (塊)	總面積 (平方米)	使用位置	計算參考數值/所屬位置分格			樓層	位置說明
									寬度 (W mm)	分屬類型	分格寬度		
18	FD-G01	TG11	8.0	552.0	2064.0	1	1.14	T1W-F-2	FD門	750.0	2210.0	8F	後裝窗FD門 (Jessie自行減少高度10mm)
19	FD-G02	TG11	8.0	552.0	2004.0	1	1.11	T2W-C-1	FD門	750.0	2150.0	8F	後裝窗FD門
20	FD-G02	TG11	8.0	552.0	2004.0	1	1.11	T2W-D-1	FD門	750.0	2150.0	8F	後裝窗FD門
21	FD-G02	TG11	8.0	552.0	2004.0	1	1.11	T2W-N-3	FD門	750.0	2150.0	8F	後裝窗FD門
22	FD-G03	TG11	8.0	552.0	2024.0	1	1.12	T5W-C-1	FD門	750.0	2170.0	8F	後裝窗FD門
23	IW-G02	BATH01	8.0	554.0	997.0	1	0.55	T1W/E-3	SH生窗	650.0	1095.0	8F	後裝窗, 因轉玻璃, 重訂
					合計	5	5.58						
					合計	1	0.55						
					總計	23	15.99						

- 1). 本表中的清片玻璃是信義原片, 藍片玻璃是藍欣原片。
 - 2). 本表中所有玻璃對角線尺寸偏差要求不超過正負2mm。
 - 3). 本表中玻璃要求粗磨邊處理並倒稜角, 而所有玻璃之入爐方向需保持一致。
 - 4). 本表中所有玻璃成品均需做雙面保護, 用透明靜電膠紙加四周一寸FK白膠紙做雙面加固保護處理。
 - 5). 本表中所有玻璃成品均需注明室內外及其玻璃編號/使用位置/樓層, 以便識別。
 - 6). 所有強化玻璃均需做HEAT-SOAK-TEST
 - 7). 所有強化玻璃入爐以寬度進大
- (TG11) 8mm THK CLEAR TEMPERED GLASS. (D18061222)
- (TG09) 8mm THK ACID ETCHED FROSTED TEMPERED GLASS (D18061228)
- (BATH01) 8mm THK ACID ETCHED FROSTED BLUE TINTED TEMPERED GLASS (D18110372)

加工注意事項: