

工程指示 / 要求簡箋(E.I.)

工程指示編號：EI/9511/18

修改版次：-

工程編號：J - 837

工程名稱：觀塘裕民坊

工程項目：幕牆 預留碼 計算數量

收件人：生統 / 謝永林

發件人：Eric Liu

日期：16/07/2018

要求提供 /  確認 事項：

- |                                    |                                     |                               |
|------------------------------------|-------------------------------------|-------------------------------|
| <input type="checkbox"/> 初步鋁料 B.M. | <input type="checkbox"/> 加工拆圖，然後生產  | <input type="checkbox"/> 尺寸表  |
| <input type="checkbox"/> 正式鋁料 B.M. | <input type="checkbox"/> 技術上資料 / 指示 | <input type="checkbox"/> 報價   |
| <input type="checkbox"/> 配件 B.M.   | <input type="checkbox"/> 樣辦或貨品說明書   | <input type="checkbox"/> 分判合約 |
| <input type="checkbox"/> 其他：_____  |                                     |                               |

內容：

請按附件計算幕牆預留碼數量，此版提供 PDF+CAD 檔

1. 優先計算 E02, E04, E05，請先計算並提供數量，以作訂貨

2. 計算 B.M.及需要提供分層數量表

謝謝！

請在 2018/7/18 前完成上列要求。

附：PDF+CAD

以上項目為：

- 原合約工程包                       原合約工程加 / 減賬                       新工程報價

原因：-

分發東莞各部門：

- |  |  |   |  |
|--|--|---|--|
| <input type="checkbox"/> 生產技術總監 <input type="checkbox"/> 連附件 | <input checked="" type="checkbox"/> 技術部 <input checked="" type="checkbox"/> 連附件 永林 | <input type="checkbox"/> 生產部 <input type="checkbox"/> 連附件 | <input type="checkbox"/> 機械設計部 <input type="checkbox"/> 連附件                        |
| <input type="checkbox"/> 採購部 <input type="checkbox"/> 連附件    | <input checked="" type="checkbox"/> 生產統籌部 <input checked="" type="checkbox"/> 連附件  |   |  |
| <input type="checkbox"/> 質檢部 <input type="checkbox"/> 連附件    | <input type="checkbox"/> 會計部 <input type="checkbox"/> 連附件                          | <input type="checkbox"/> 報關組 <input type="checkbox"/> 連附件 | <input checked="" type="checkbox"/> 其他 謝永林 <input checked="" type="checkbox"/> 連附件 |

分發香港各部門：

- |   |  |   |   |
|---|--|---|---|
| <input type="checkbox"/> 行政部 <input type="checkbox"/> 連附件 | <input type="checkbox"/> 會計部 <input type="checkbox"/> 連附件  | <input type="checkbox"/> 統籌部 <input type="checkbox"/> 連附件 | <input checked="" type="checkbox"/> 工程部地盤科文 <input type="checkbox"/> 連附件 如新 |
| <input type="checkbox"/> 採購部 <input type="checkbox"/> 連附件 | <input type="checkbox"/> QS 部 <input type="checkbox"/> 連附件 | <input type="checkbox"/> 維修部 <input type="checkbox"/> 連附件 | <input type="checkbox"/> 其他 _____ <input type="checkbox"/> 連附件              |

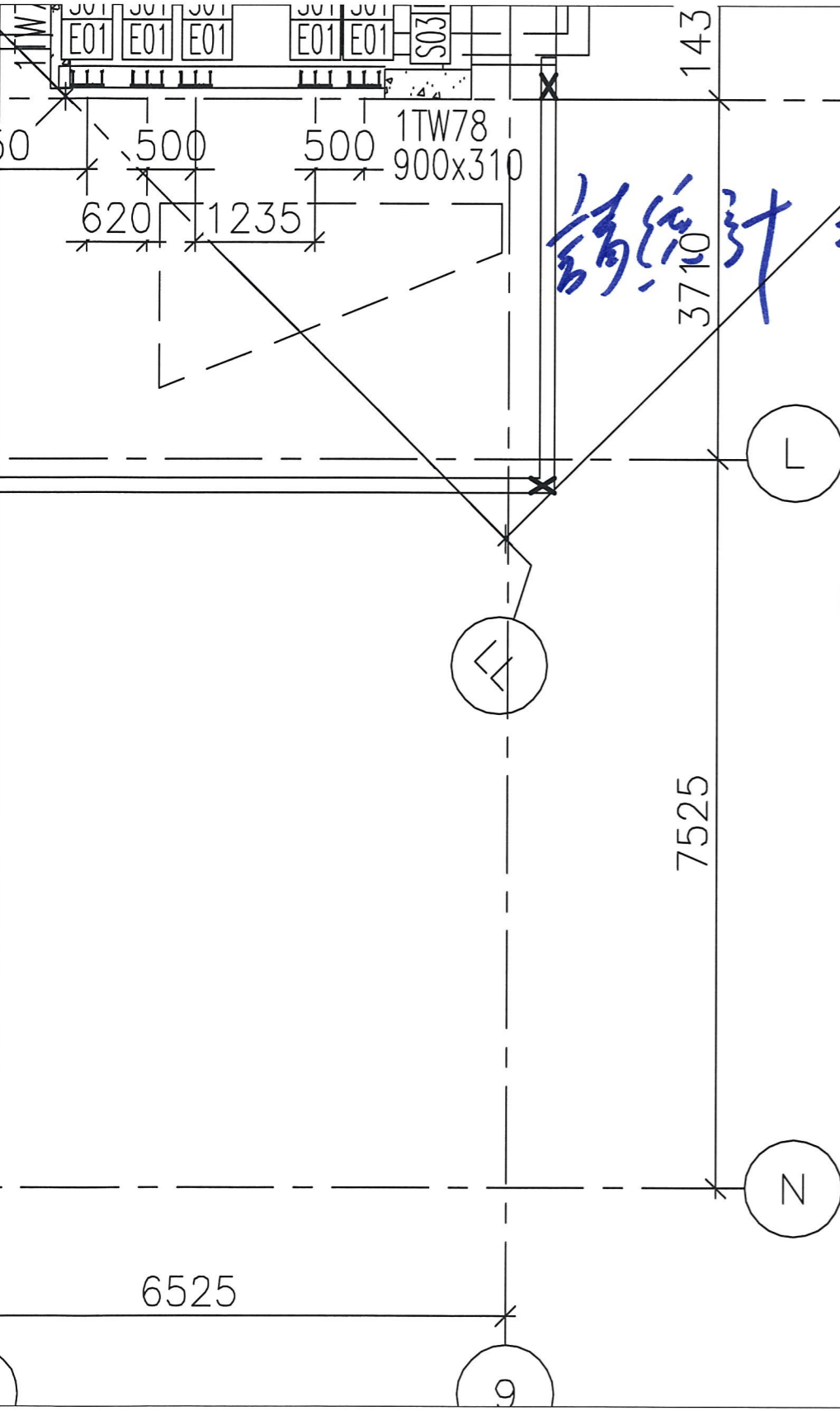
傳遞編號：

HK 1080 /18

發件人簽署：

項目經理簽署：

配



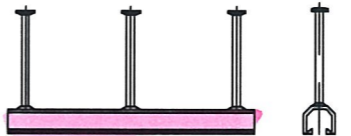
請統計預留碼數量.

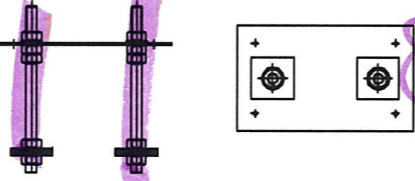
E01  
E02 ← 優先計算  
E03  
E04  
E05 ← 急訂.

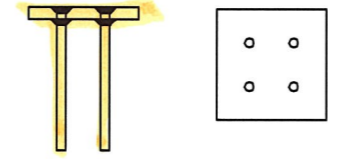
給B.M.和數量清單

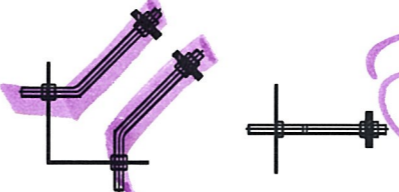
謝謝

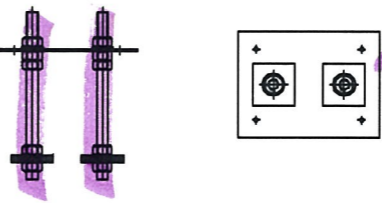
LEGEND :

- 

E01 = HILIT , HAC-70  
CAST IN CHANNEL
- 

E02 = CAST-IN HOLDING  
DOWN BOLT
- 

E03 = GAL. MILD STEEL CAST  
IN EMBED
- 

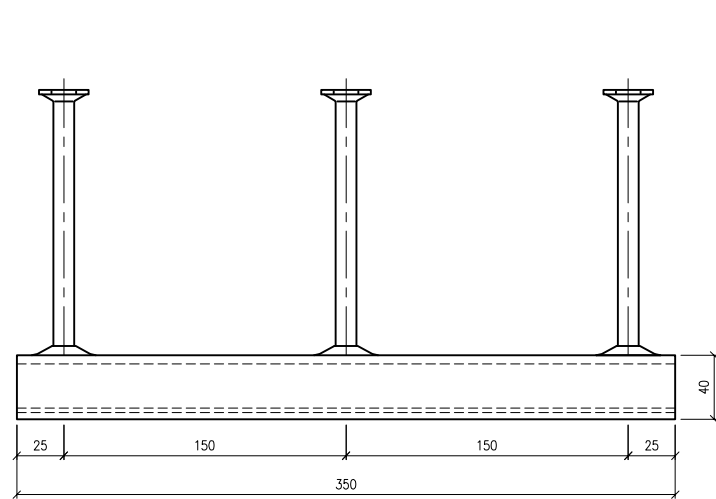
E04 = CAST-IN HOLDING  
DOWN BOLT
- 

E05 = CAST-IN HOLDING  
DOWN BOLT

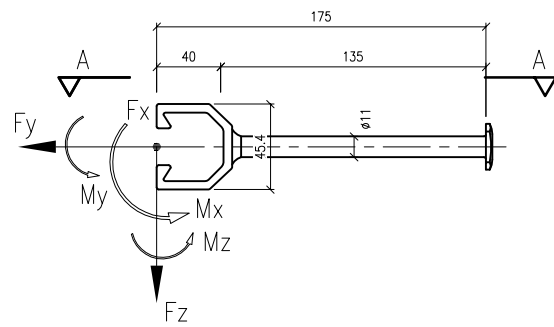
FLOOR LEVEL (S.F.L.)(T1)

FLOOR NUMBERING	LEVEL (mPD)
6 / 5	1.78.000

NO. \_\_\_\_\_  
 JOB N \_\_\_\_\_  
 PROJE \_\_\_\_\_  
 R \_\_\_\_\_  
 N \_\_\_\_\_  
 TITLE : \_\_\_\_\_  
 6 \_\_\_\_\_  
 DATE : \_\_\_\_\_  
 DRAWN \_\_\_\_\_  
 Units € \_\_\_\_\_  
 610 Ch \_\_\_\_\_  
 Tel:234 \_\_\_\_\_  
 DWG N \_\_\_\_\_



SECTION 'A-A'  
HILTI CHANNEL HAC-70

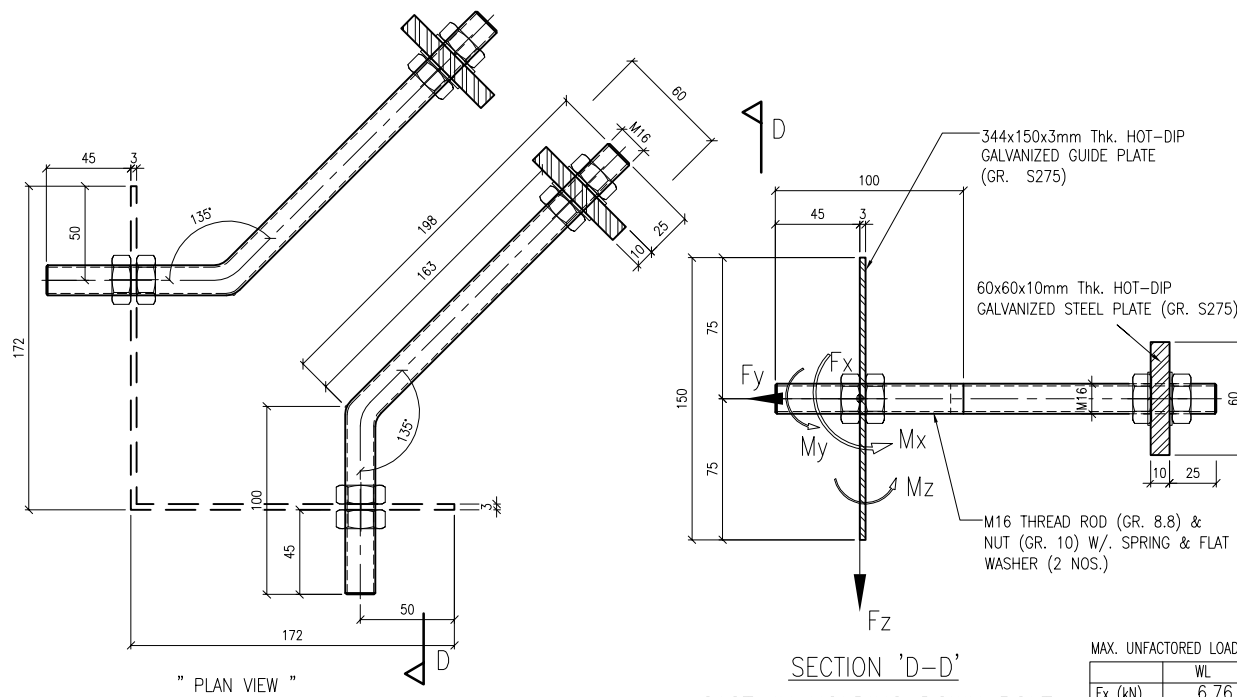


MAX. UNFACTORED LOAD:

	WL	DL
Fx (kN)	0	0
Fy (kN)	2.3.5	0
Fz (kN)	0	3.5
Mx (kNm)	0.6	0.6
My (kNm)	0	0
Mz (kNm)	0	0

EMBED TYPE : E01

EMBED TYPE : E04



SECTION 'D-D'  
CAST-IN HOLDING DOWN BOLT

MAX. UNFACTORED LOAD:

	WL	DL
Fx (kN)	6.76	0
Fy (kN)	6.76	0
Fz (kN)	0	1.75
Mx (kNm)	0	0
My (kNm)	0	0
Mz (kNm)	0	0

B.D. REF :

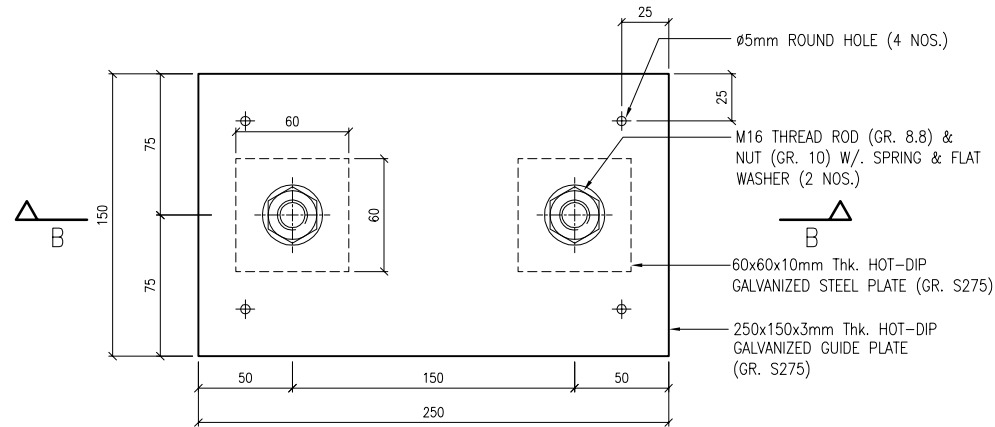
CLIENT :  
**信和置業有限公司**  
Sino Land Company Limited

ARCHITECT :  
**WONG TUNG & PARTNERS LIMITED**  
ARCHITECTS & PLANNERS

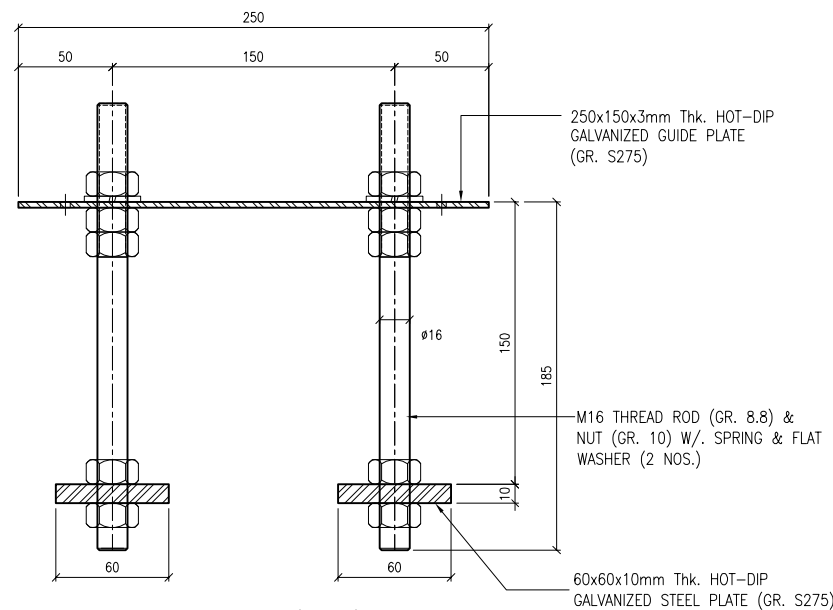
MAIN CONTRACTOR :  
**CR Construction Company Limited**

STRUCTURAL ENGINEER :  
**AECOM**

FACADE CONSULTANT:

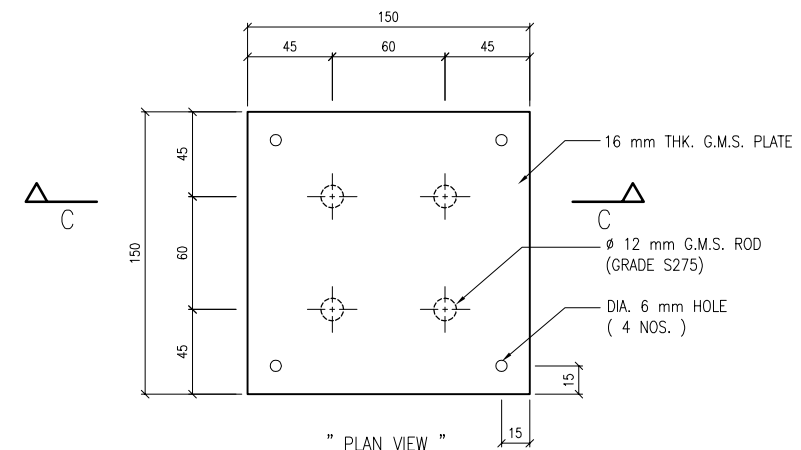


" PLAN VIEW "

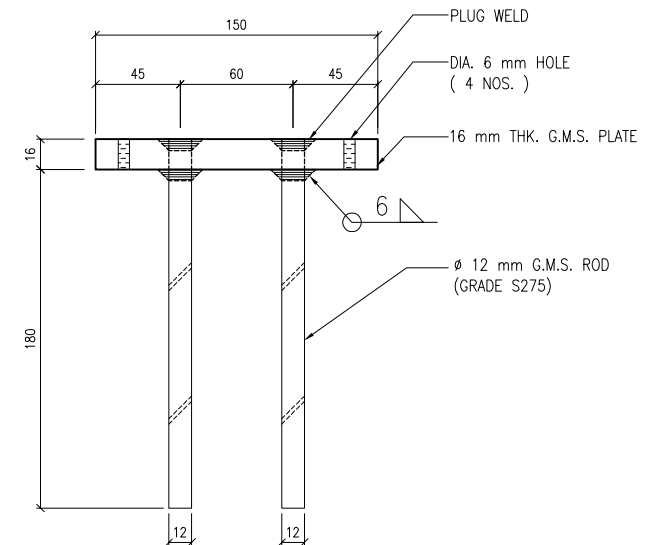


SECTION 'B-B'  
CAST-IN HOLDING DOWN BOLT

EMBED TYPE : E02



" PLAN VIEW "



SECTION 'C-C'  
" CAST IN EMBED DETAILED DIMENSION "

EMBED TYPE : E03

- NOTE :
- ALL DIMENSIONS ARE IN mm.
  - ALL ELEVATIONS ARE VIEWED FROM OUTSIDE.
  - ALL DIMENSIONS TO BE VERIFIED ON SITE BEFORE FABRICATION.

- LEGEND :
- X1 --- DETAIL MARK NO.
  - X001 --- REFER SHEET NO.

- F.F.L. --- FINISHED FLOOR LEVEL
- S.F.L. --- STRUCTURAL FLOOR LEVEL
- (R) --- REVERSED DETAIL

NO.	DATE	REVISED	BY

JOB NO. : J-837  
PROJECT :  
URA KWUN TONG TOWN CENTRE  
REDEVELOPMENT (AREA 2 & 3) AT  
NKIL 6514, KWUN TONG, KWLOON

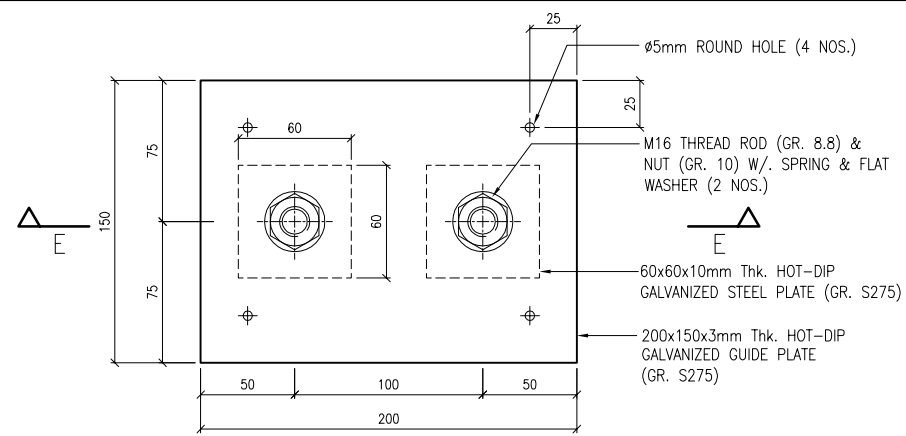
TITLE :  
CAST IN CHANNEL &  
EMBED TYPICAL DETAILS  
FOR CURTAIN WALL

DATE : 04-JUL-18 SCALE : 1:2 (A1)

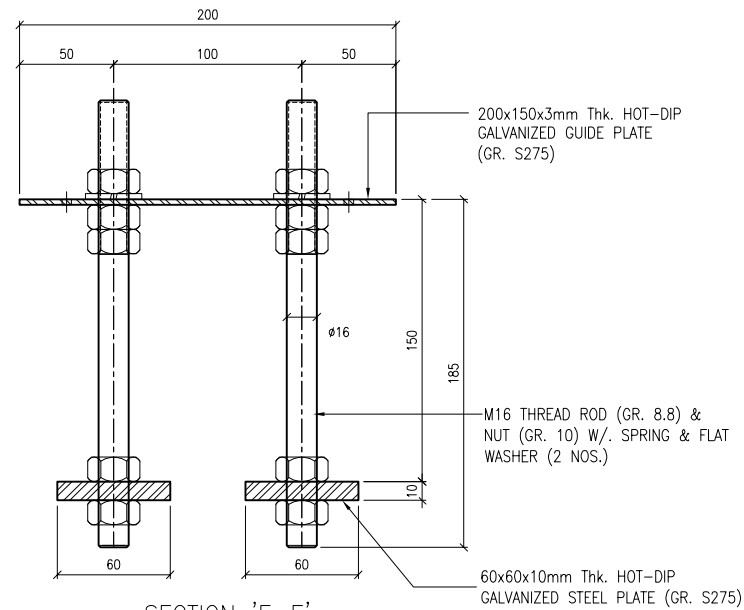
DRAWN BY : ASING CHECKED BY : -

**美特鋁質有限公司**  
MIDI ALUMINIUM FABRICATOR LTD.  
Units 6-8, Sunray Industrial Centre, 1/F  
610 Cha Kwo Ling Road, Kowloon  
Tel: 23489211-4 Fax: (852) 2727666

DWG NO. : J837-CW-EDO1 REV. : -



" PLAN VIEW "



SECTION 'E-E'  
CAST-IN HOLDING DOWN BOLT

EMBED TYPE : E05

B.D. REF :

CLIENT :

 信和置業有限公司  
Sino Land Company Limited

ARCHITECT :

WONG TUNG & PARTNERS LIMITED  
ARCHITECTS & PLANNERS  


MAIN CONTRACTOR :

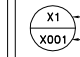
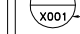
 CR Construction Company Limited

STRUCTURAL ENGINEER :



FACADE CONSULTANT:

NOTE :  
1. ALL DIMENSIONS ARE IN mm.  
2. ALL ELEVATIONS ARE VIEWED FROM OUTSIDE.  
3. ALL DIMENSIONS TO BE VERIFIED ON SITE BEFORE FABRICATION.

LEGEND :  
 -- DETAIL MARK NO.  
 -- REFER SHEET NO.

1. F.F.L. -- FINISHED FLOOR LEVEL  
2. S.F.L. -- STRUCTURAL FLOOR LEVEL  
3. (R) -- REVERSED DETAIL

NO.	DATE	REVISED	BY

JOB NO. : J-837

PROJECT :  
URA KWUN TONG TOWN CENTRE  
REDEVELOPMENT (AREA 2 & 3) AT  
NKIL 6514, KWUN TONG, KWLOON

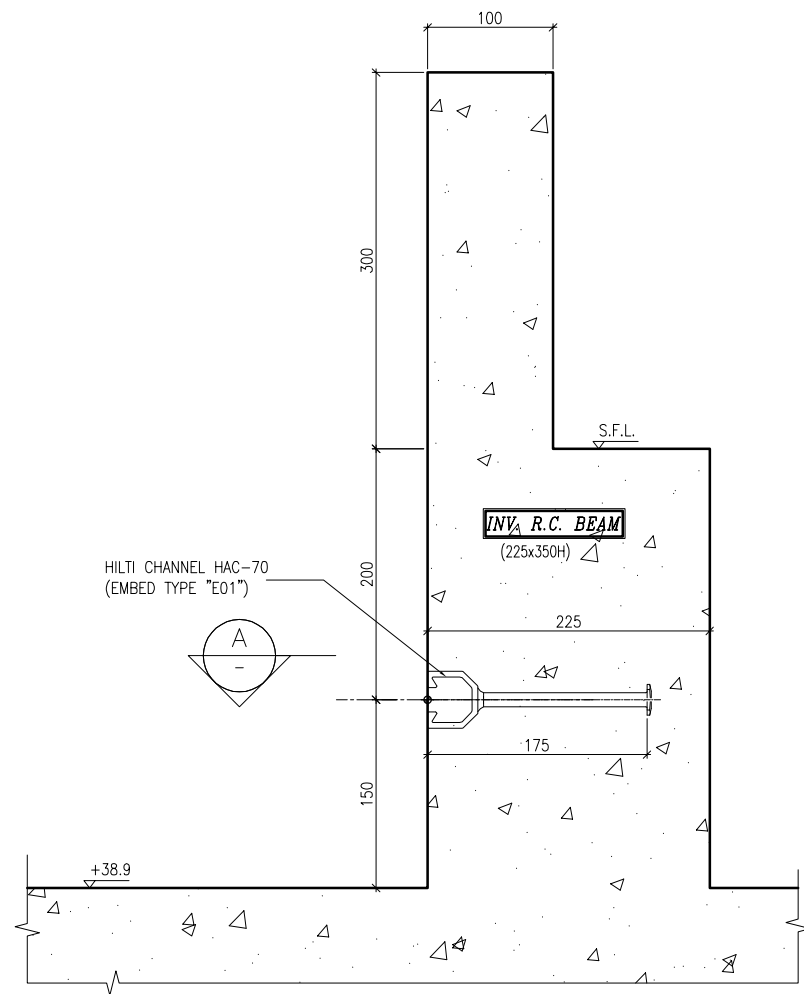
TITLE :  
CAST IN CHANNEL &  
EMBED TYPICAL DETAILS  
FOR CURTAIN WALL

DATE : 04-JUL-18 SCALE : 1:2 (A1)

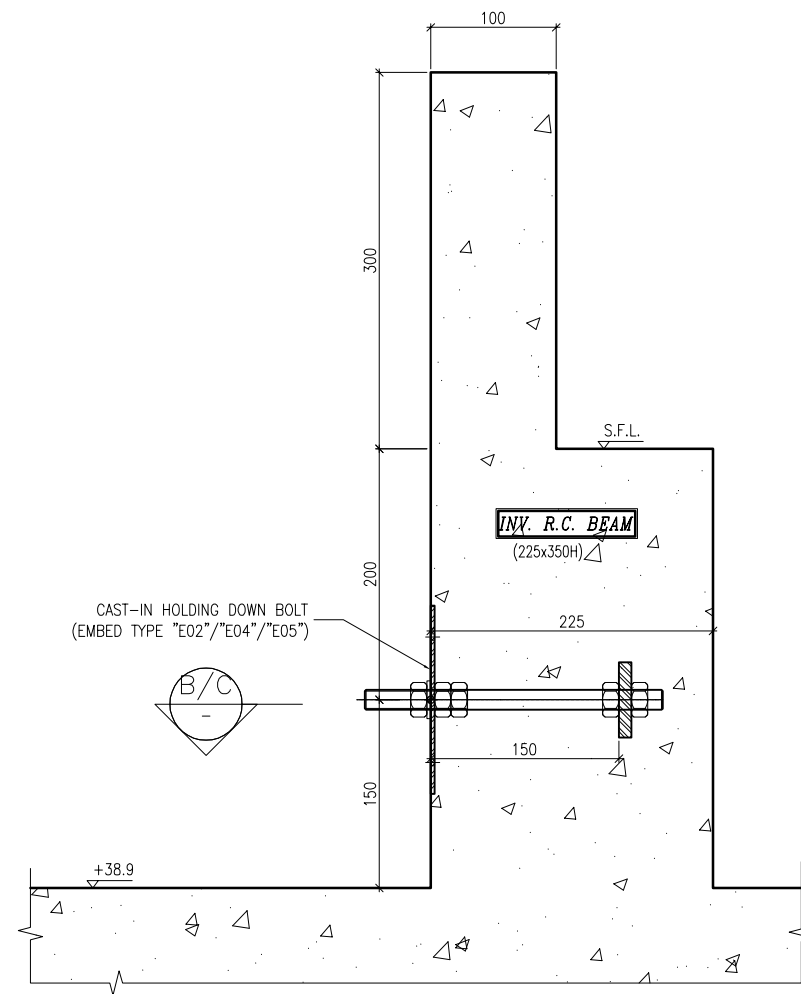
DRAWN BY : ASING CHECKED BY : -

 美特鋁質有限公司  
MIDI ALUMINIUM FABRICATOR LTD.  
Units 6-8, Sunray Industrial Centre, 1/F  
610 Cha Kwo Ling Road, Kowloon  
Tel: 23489211-4 Fax: (852) 27727666

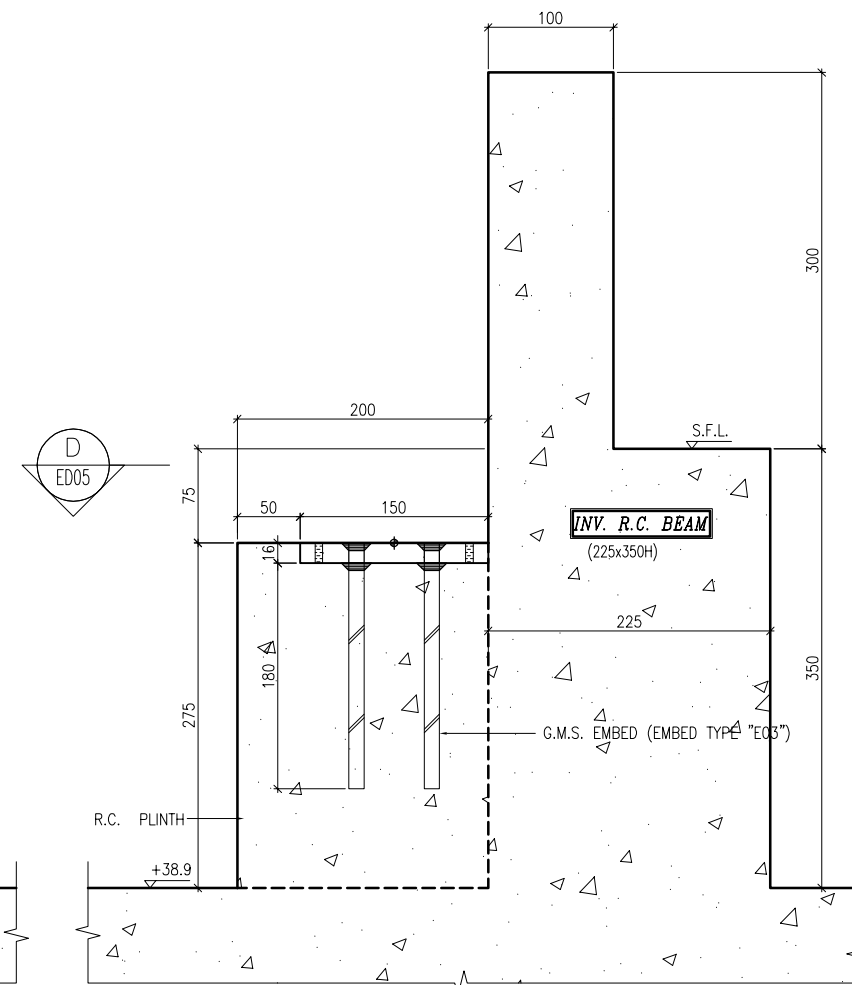
DWG NO. : J8.37-CW-ED02 REV. : -



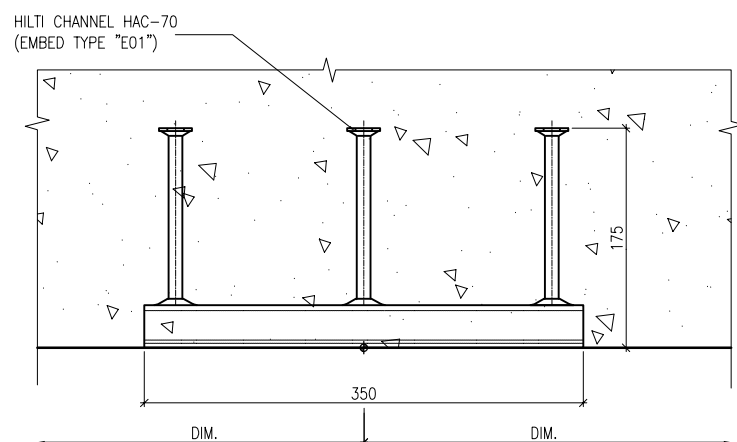
S01  
-  
EMBED INSTALLATION DETAIL  
SECTION TYPE "S01"



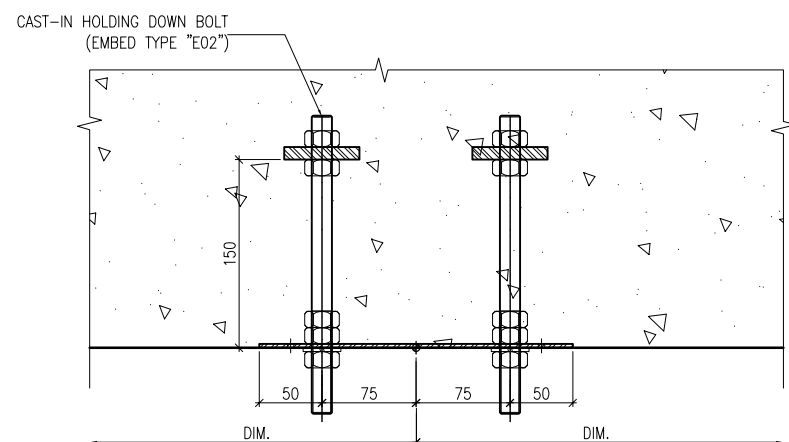
S02  
-  
EMBED INSTALLATION DETAIL  
SECTION TYPE "S02"



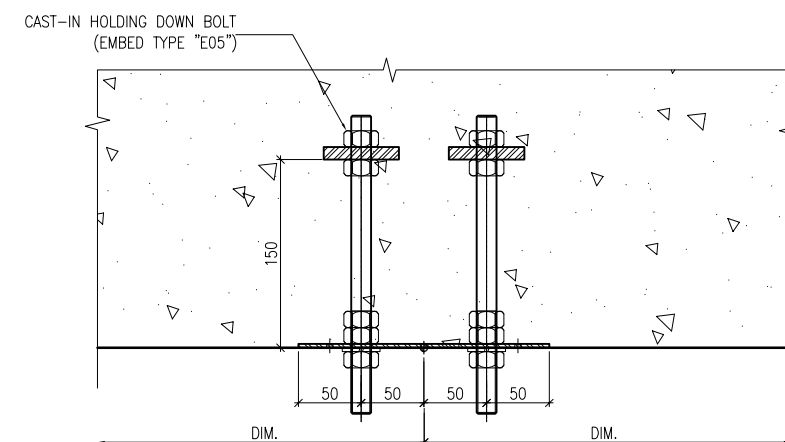
S03  
-  
EMBED INSTALLATION DETAIL  
SECTION TYPE "S03"



SECTION 'A'



SECTION 'B'



SECTION 'C'

B.D. REF :

CLIENT :

信和置業有限公司  
Sino Land Company Limited

ARCHITECT :

WONG TUNG & PARTNERS LIMITED  
ARCHITECTS & PLANNERS

MAIN CONTRACTOR :

CR Construction Company Limited

STRUCTURAL ENGINEER :

AECOM

FACADE CONSULTANT:

NOTE :

1. ALL DIMENSIONS ARE IN mm.
2. ALL ELEVATIONS ARE VIEWED FROM OUTSIDE.
3. ALL DIMENSIONS TO BE VERIFIED ON SITE BEFORE FABRICATION.

LEGEND :

- X1 --- DETAIL MARK NO.  
X001 --- REFER SHEET NO.

1. F.F.L. --- FINISHED FLOOR LEVEL
2. S.F.L. --- STRUCTURAL FLOOR LEVEL
3. (R) --- REVERSED DETAIL

NO.	DATE	REVISED	BY

JOB NO. : J-837

PROJECT :  
URA KWUN TONG TOWN CENTRE  
REDEVELOPMENT (AREA 2 & 3) AT  
NKIL 6514, KWUN TONG, KWLOON

TITLE :  
EMBED TYPICAL DETAILS  
FOR CURTAIN WALL

DATE : 13-JUL-18

SCALE : 1:2 (A1)

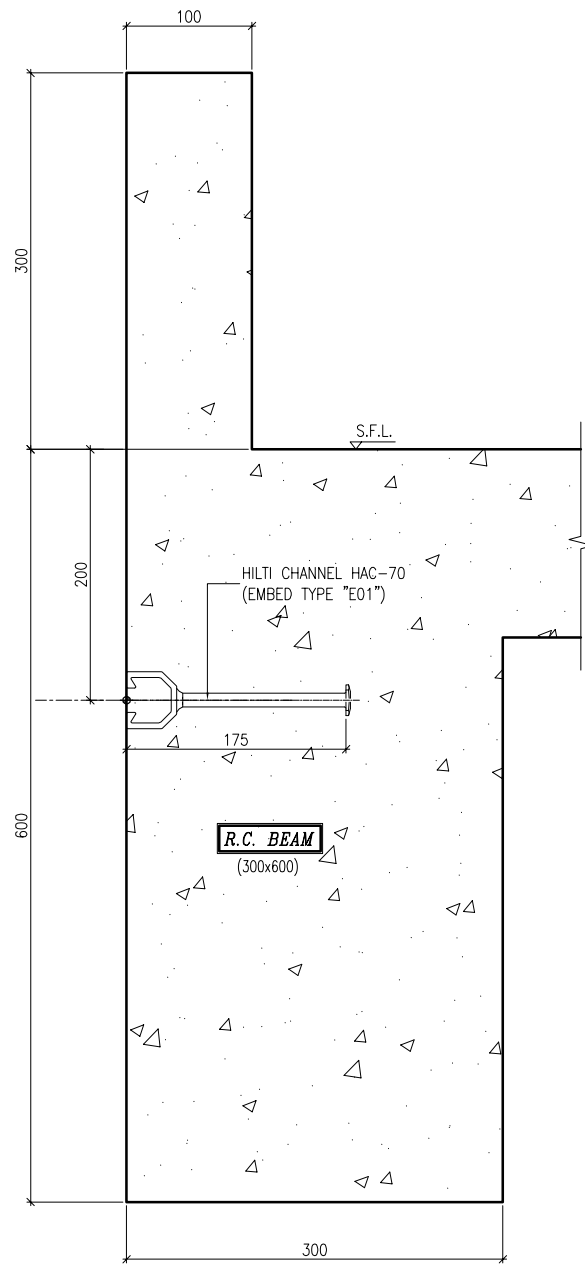
DRAWN BY : Asing

CHECKED BY : -

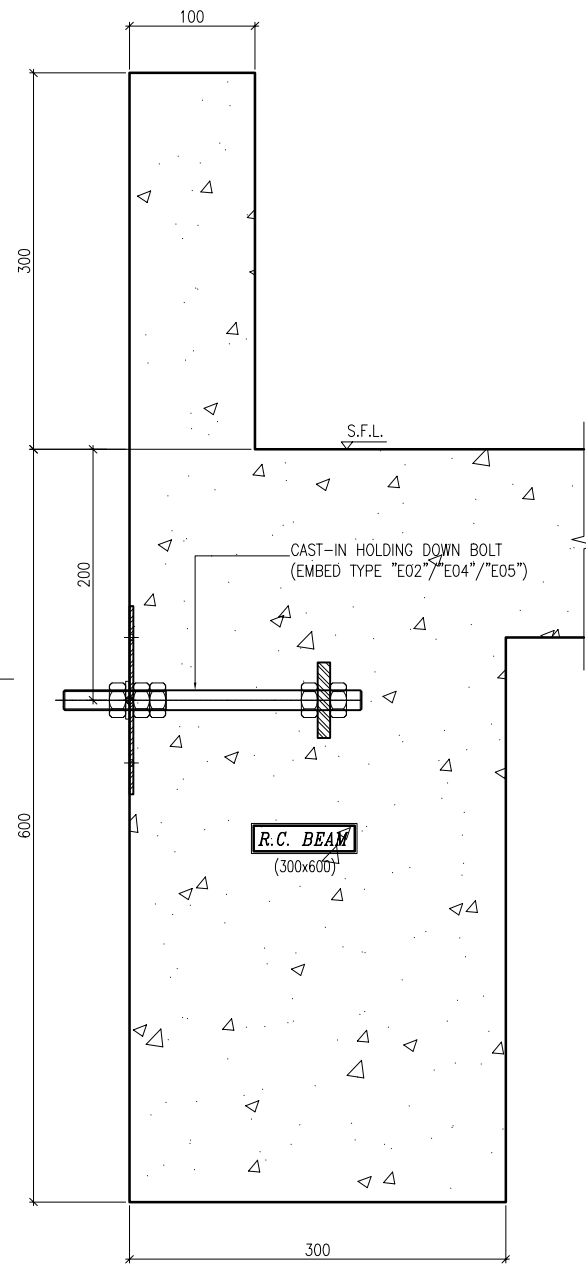
美特鋁質有限公司  
MIDI ALUMINIUM FABRICATOR LTD.  
Units 6-8, Sunray Industrial Centre, 1/F  
610 Cha Kwo Ling Road, Kowloon  
Tel: 23489211-4 Fax: (852) 2727666

DWG NO. : J837-CW-ED03

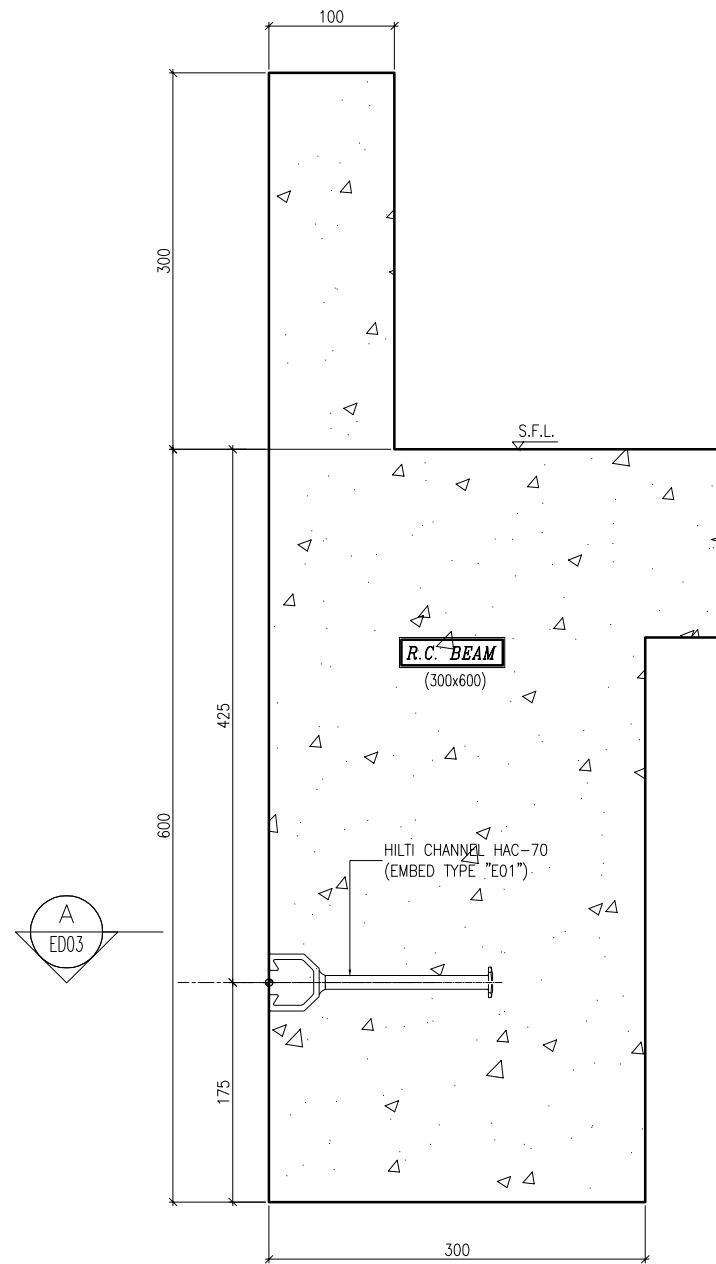
REV. : -



S04 EMBED INSTALLATION DETAIL  
SECTION TYPE "S04"



S05 EMBED INSTALLATION DETAIL  
SECTION TYPE "S05"



S06 EMBED INSTALLATION DETAIL  
SECTION TYPE "S06"

B.D. REF :

CLIENT :

信和置業有限公司  
Sino Land Company Limited

ARCHITECT :

WONG TUNG & PARTNERS LIMITED  
ARCHITECTS & PLANNERS



MAIN CONTRACTOR :

CR Construction Company Limited

STRUCTURAL ENGINEER :

AECOM

FACADE CONSULTANT:

NOTE :

1. ALL DIMENSIONS ARE IN mm.
2. ALL ELEVATIONS ARE VIEWED FROM OUTSIDE.
3. ALL DIMENSIONS TO BE VERIFIED ON SITE BEFORE FABRICATION.

LEGEND :

- X1 — DETAIL MARK NO.
- X001 — REFER SHEET NO.

1. F.F.L. -- FINISHED FLOOR LEVEL
2. S.F.L. -- STRUCTURAL FLOOR LEVEL
3. (R) -- REVERSED DETAIL

NO.	DATE	REVISED	BY

JOB NO. : J-837

PROJECT :  
URA KWUN TONG TOWN CENTRE  
REDEVELOPMENT (AREA 2 & 3) AT  
NKIL 6514, KWUN TONG, KWLOON

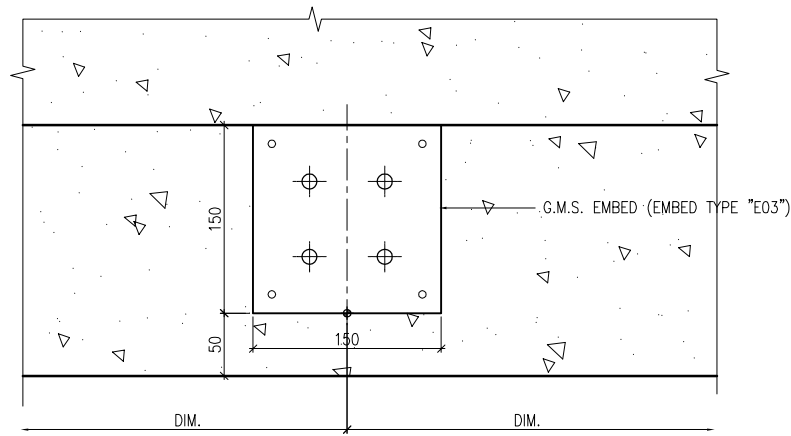
TITLE :  
EMBED TYPICAL DETAILS  
FOR CURTAIN WALL

DATE : 13-JUL-18 SCALE : 1:2 (A1)

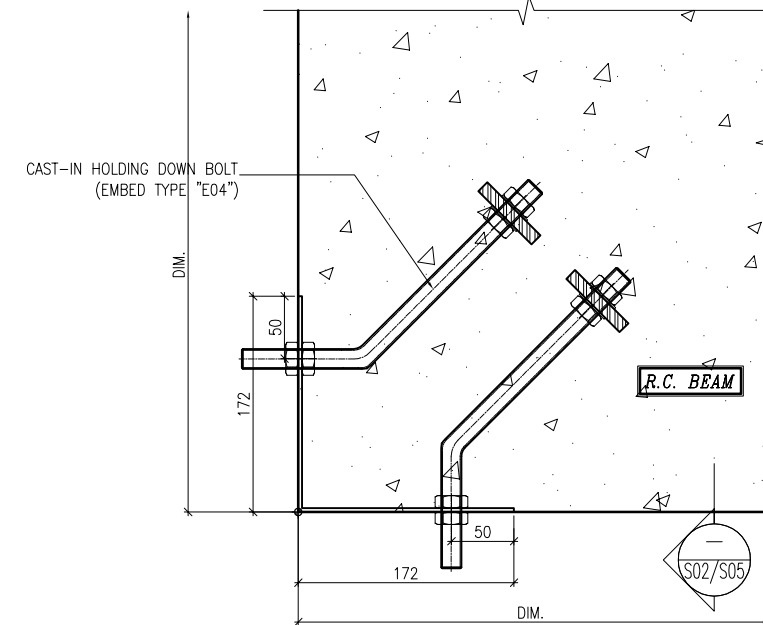
DRAWN BY : Asing CHECKED BY : -

美特鋁質有限公司  
MIDI ALUMINIUM FABRICATOR LTD.  
Units 6-8, Sunray Industrial Centre, 1/F  
610 Cha Kwo Ling Road, Kowloon  
Tel: 23489211-4 Fax: (852) 27727666

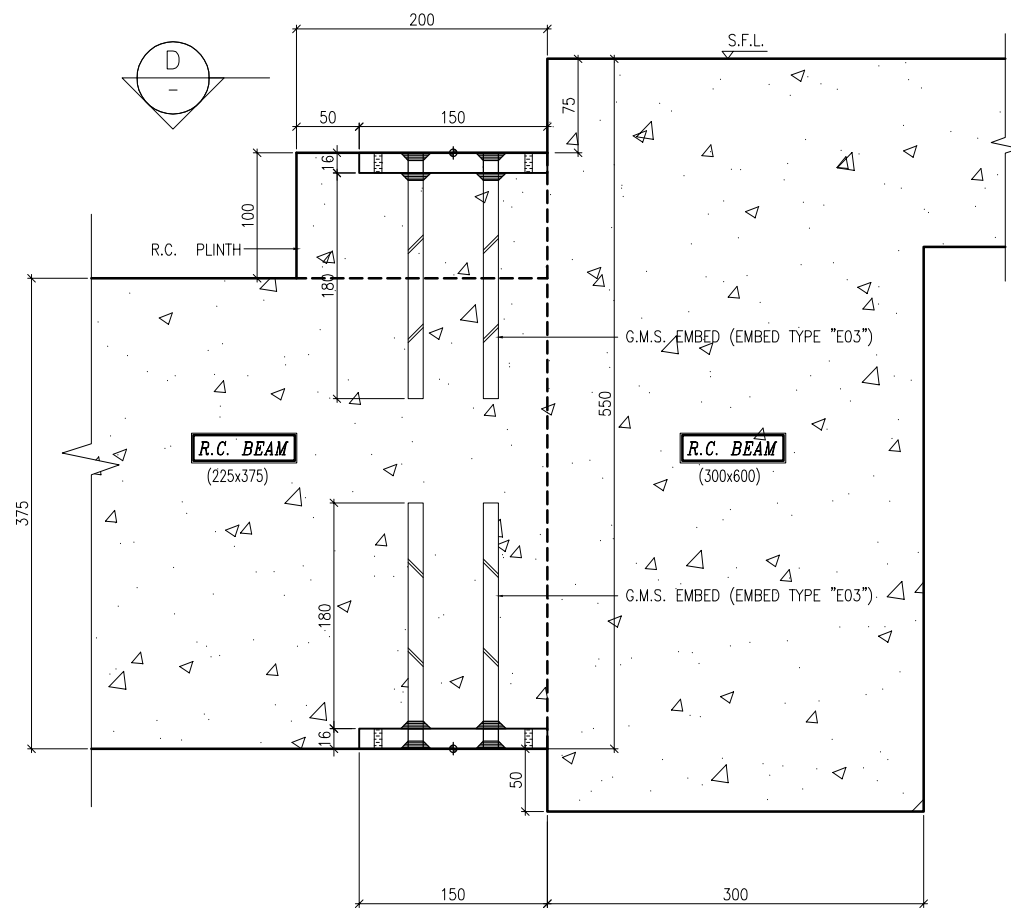
DWG NO. : J8.37-CW-ED04 REV. : -



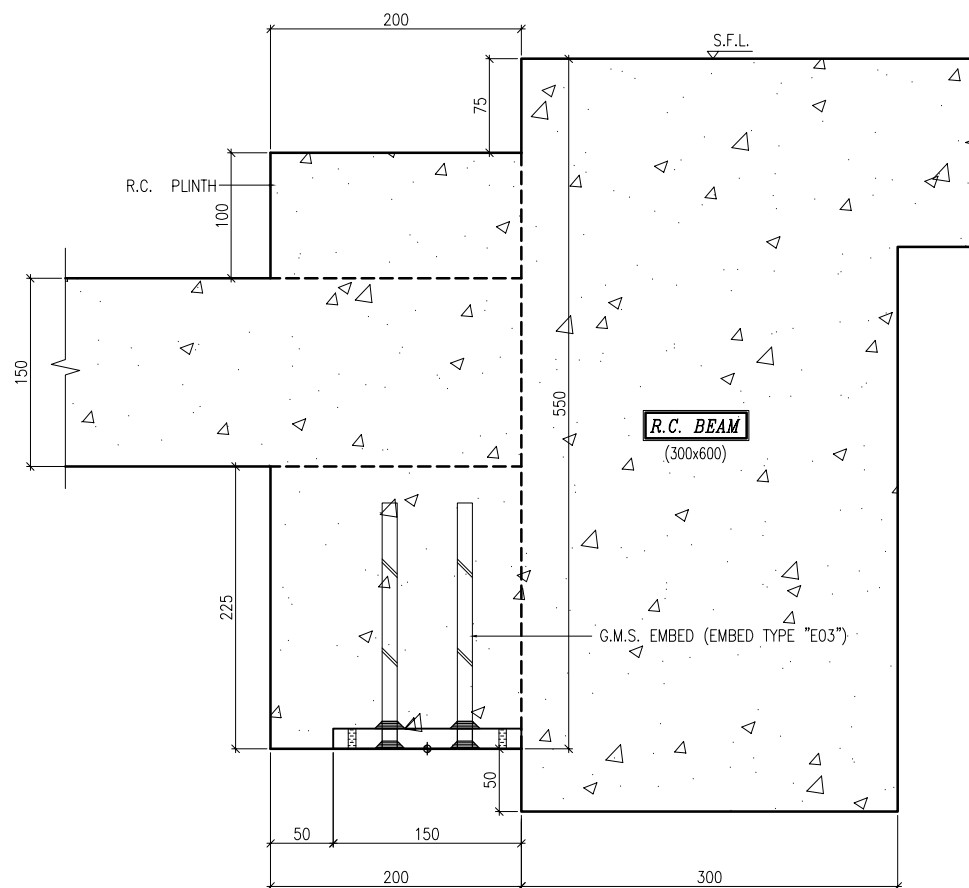
SECTION 'D'



S09 EMBED INSTALLATION DETAIL SECTION TYPE 'S09'



S07 EMBED INSTALLATION DETAIL SECTION TYPE 'S07'



S08 EMBED INSTALLATION DETAIL SECTION TYPE 'S08'

B.D. REF :

CLIENT :

信和置業有限公司  
Sino Land Company Limited

ARCHITECT :

WONG TUNG & PARTNERS LIMITED  
ARCHITECTS & PLANNERS



MAIN CONTRACTOR :

CR Construction Company Limited

STRUCTURAL ENGINEER :

AECOM

FACADE CONSULTANT:

NOTE :

1. ALL DIMENSIONS ARE IN mm.
2. ALL ELEVATIONS ARE VIEWED FROM OUTSIDE.
3. ALL DIMENSIONS TO BE VERIFIED ON SITE BEFORE FABRICATION.

LEGEND :

- X1 — DETAIL MARK NO.
- X001 — REFER SHEET NO.

1. F.F.L. --- FINISHED FLOOR LEVEL
2. S.F.L. --- STRUCTURAL FLOOR LEVEL
3. (R) --- REVERSED DETAIL

NO.	DATE	REVISED	BY

JOB NO. : J-837

PROJECT :  
URA KWUN TONG TOWN CENTRE  
REDEVELOPMENT (AREA 2 & 3) AT  
NKIL 6514, KWUN TONG, KWLOON

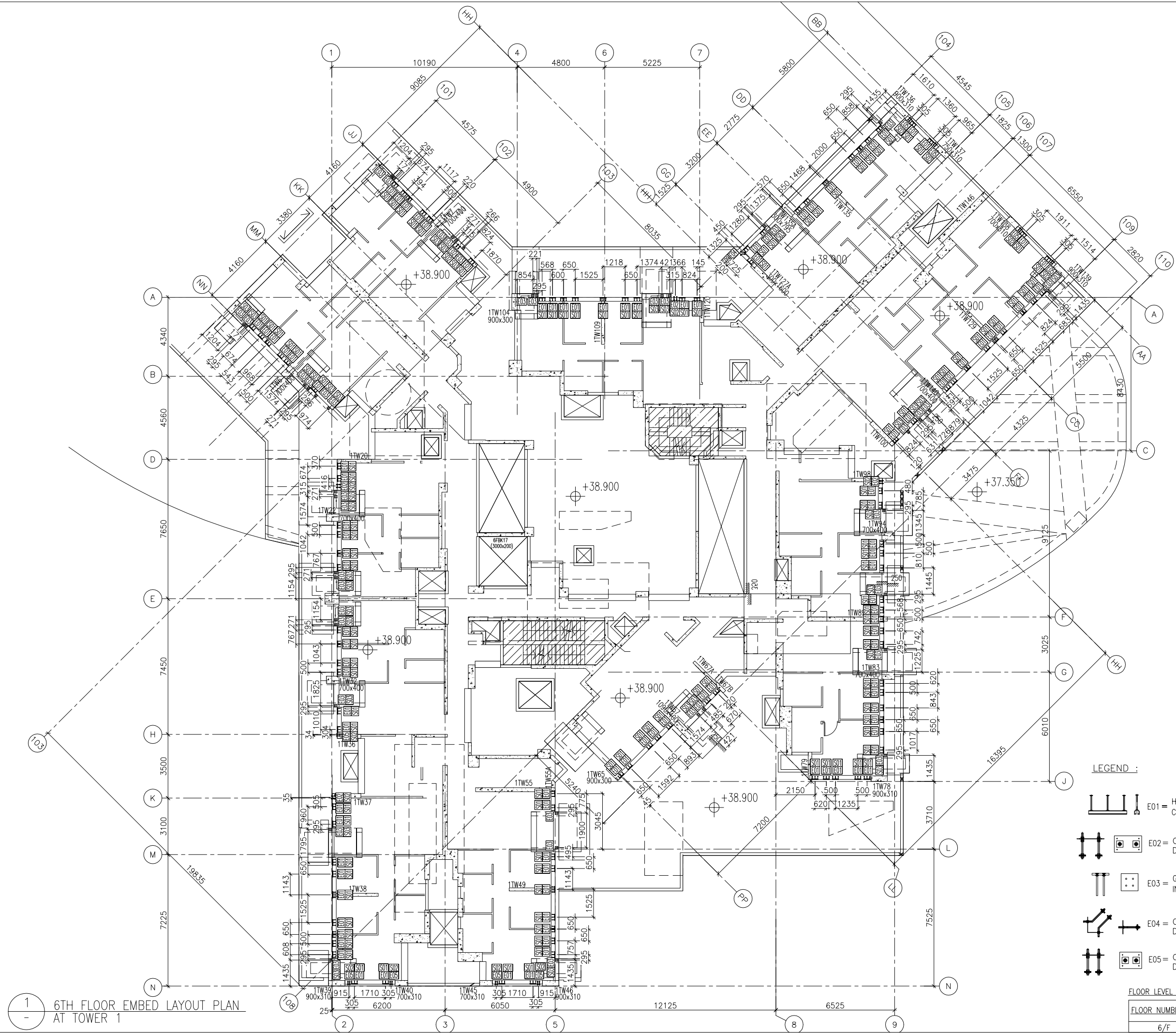
TITLE :  
EMBED TYPICAL DETAILS  
FOR CURTAIN WALL

DATE : 13-JUL-18 SCALE : 1:2 (A1)

DRAWN BY : Asing CHECKED BY : -

美特鋁質有限公司  
MIDI ALUMINIUM FABRICATOR LTD.  
Units 6-8, Sunray Industrial Centre, 1/F  
610 Cha Kwo Ling Road, Kowloon  
Tel: 23489211-4 Fax: (852) 2727666

DWG NO. : J837-CW-ED05 REV. : -



1  
-  
6TH FLOOR EMBED LAYOUT PLAN  
AT TOWER 1

- LEGEND :**
- E01 = HILIT, HAC-70 CAST IN CHANNEL
  - E02 = CAST-IN HOLDING DOWN BOLT
  - E03 = GAL. MILD STEEL CAST IN EMBED
  - E04 = CAST-IN HOLDING DOWN BOLT
  - E05 = CAST-IN HOLDING DOWN BOLT

**FLOOR LEVEL (S.F.L.)(T1)**

FLOOR NUMBERING	LEVEL (mPD)
6/F	+38.900

B.D. REF :

CLIENT :  
 信和置業有限公司  
 Sino Land Company Limited

ARCHITECT :  
 WONG TUNG & PARTNERS LIMITED  
 ARCHITECTS & PLANNERS

MAIN CONTRACTOR :  
 CR Construction Company Limited

STRUCTURAL ENGINEER :  
 AECOM

FACADE CONSULTANT:

**NOTE :**

- ALL DIMENSIONS ARE IN mm.
- ALL ELEVATIONS ARE VIEWED FROM OUTSIDE.
- ALL DIMENSIONS TO BE VERIFIED ON SITE BEFORE FABRICATION.

**LEGEND :**

- X1 --- DETAIL MARK NO.
- X001 --- REFER SHEET NO.

- F.F.L. --- FINISHED FLOOR LEVEL
- S.F.L. --- STRUCTURAL FLOOR LEVEL
- (R) --- REVERSED DETAIL

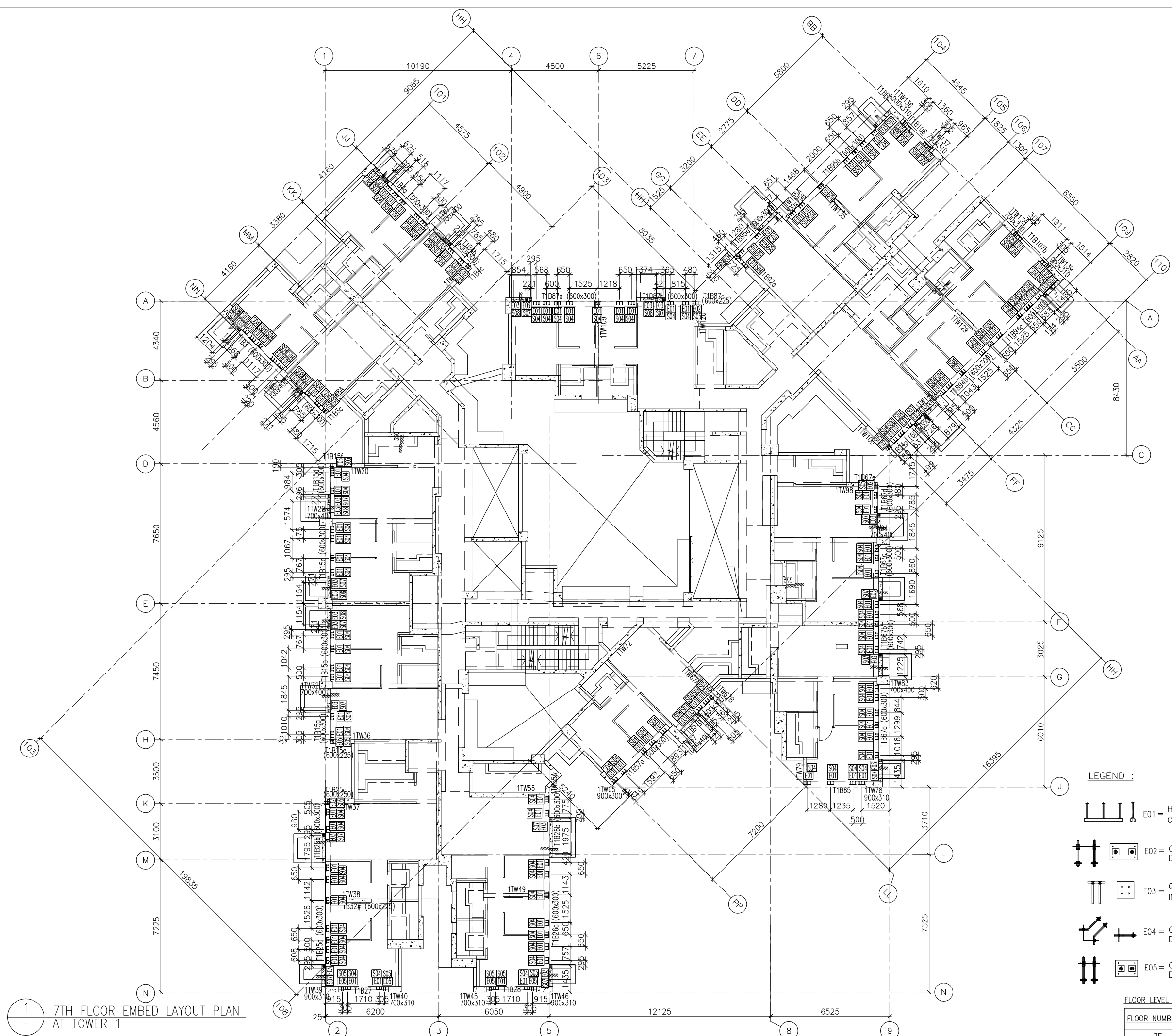
NO.	DATE	REVISED	BY

JOB NO. : J-837  
 PROJECT :  
 URA KWUN TONG TOWN CENTRE  
 REDEVELOPMENT (AREA 2 & 3) AT  
 NKIL 6514, KWUN TONG, KWLOON

TITLE :  
 6TH FLOOR EMBED LAYOUT PLAN  
 OF CURTAIN WALL  
 AT TOWER 1

DATE : 04-JUL-18 SCALE : 1:100 (A1)  
 DRAWN BY : ASING CHECKED BY : -

美特鋁質有限公司  
 MIDI ALUMINIUM FABRICATOR LTD.  
 Units 6-8, Sunray Industrial Centre, 1/F  
 610 Cha Kwo Ling Road, Kowloon  
 Tel: 23489211-4 Fax: (852) 2727666  
 DWG NO. : J837-CW-1101 REV. : -



1 7TH FLOOR EMBED LAYOUT PLAN AT TOWER 1

- LEGEND :**
- E01 = HILT , HAC-70 CAST IN CHANNEL
  - E02 = CAST-IN HOLDING DOWN BOLT
  - E03 = GAL. MILD STEEL CAST IN EMBED
  - E04 = CAST-IN HOLDING DOWN BOLT
  - E05 = CAST-IN HOLDING DOWN BOLT

**FLOOR LEVEL (S.F.L.)(T1)**

FLOOR NUMBERING	LEVEL (mPD)
7F	+42.400

B.D. REF :

CLIENT : 信和置業有限公司 Sino Land Company Limited

ARCHITECT : WONG TUNG & PARTNERS LIMITED ARCHITECTS & PLANNERS

MAIN CONTRACTOR : CR Construction Company Limited

STRUCTURAL ENGINEER : AECOM

FACADE CONSULTANT:

**NOTE :**

- ALL DIMENSIONS ARE IN mm.
- ALL ELEVATIONS ARE VIEWED FROM OUTSIDE.
- ALL DIMENSIONS TO BE VERIFIED ON SITE BEFORE FABRICATION.

**LEGEND :**

- X1 --- DETAIL MARK NO.
- X001 --- REFER SHEET NO.

- F.F.L. --- FINISHED FLOOR LEVEL
- S.F.L. --- STRUCTURAL FLOOR LEVEL
- (R) --- REVERSED DETAIL

NO.	DATE	REVISED	BY

JOB NO. : J-837

PROJECT : URA KWUN TONG TOWN CENTRE REDEVELOPMENT (AREA 2 & 3) AT NKIL 6514, KWUN TONG, KWLOON

TITLE : 7TH FLOOR EMBED LAYOUT PLAN OF CURTAIN WALL AT TOWER 1

DATE : 04-JUL-18 SCALE : 1:100 (A1)

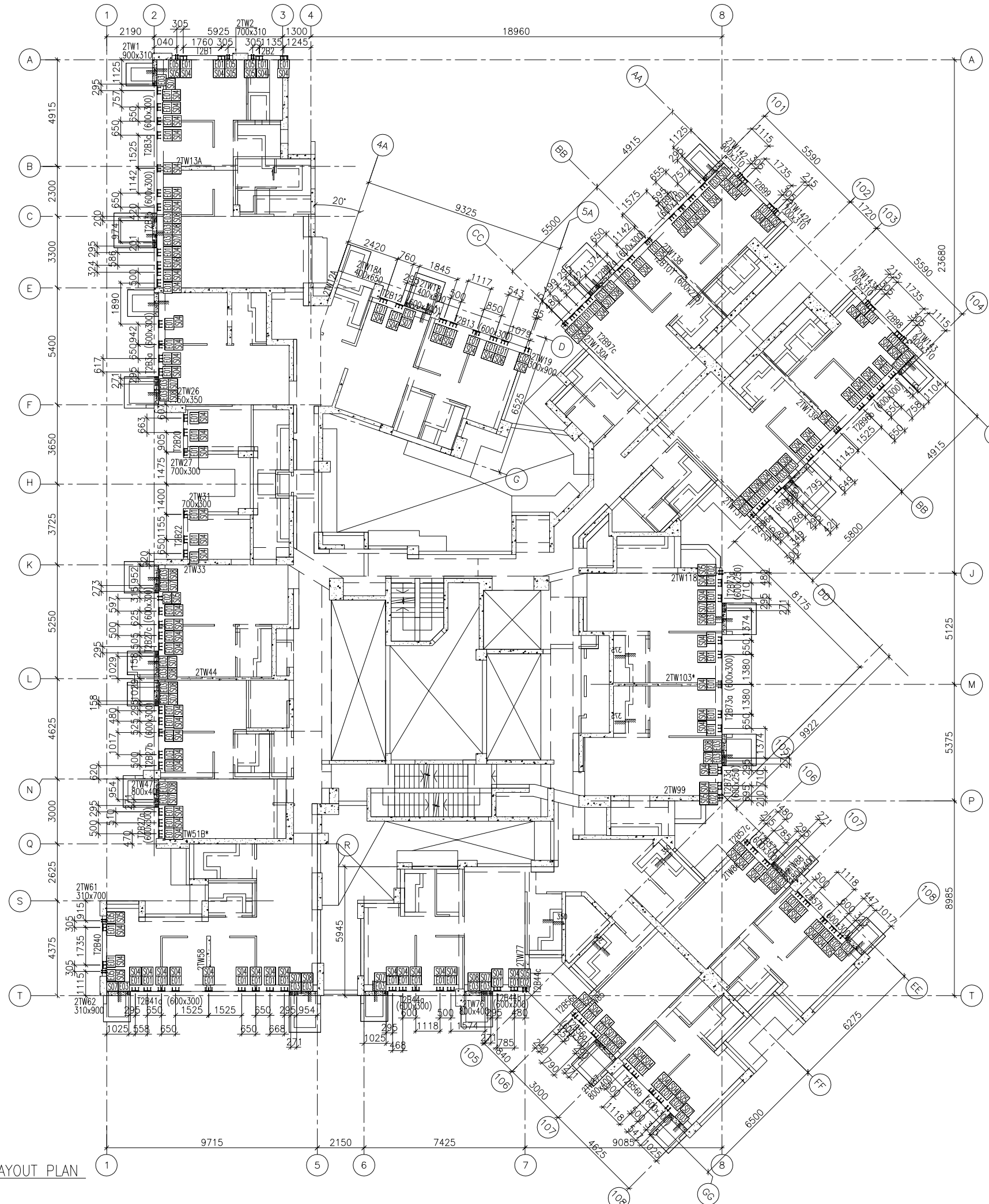
DRAWN BY : ASING CHECKED BY : -

美特鋁質有限公司 MIDI ALUMINIUM FABRICATOR LTD. Units 6-8, Sunray Industrial Centre, 1/F 610 Cha Kwo Ling Road, Kowloon Tel: 23489211-4 Fax: (852) 2727666

DWG NO. : J837-CW-1102 REV. : -







1 7TH FLOOR EMBED LAYOUT PLAN  
- AT TOWER 2

- LEGEND :
- E01 = HILT , HAC-70  
CAST IN CHANNEL
  - E02 = CAST-IN HOLDING  
DOWN BOLT
  - E03 = GAL. MILD STEEL CAST  
IN EMBED
  - E04 = CAST-IN HOLDING  
DOWN BOLT
  - E05 = CAST-IN HOLDING  
DOWN BOLT

FLOOR LEVEL (S.F.L.)(I2)

FLOOR NUMBERING	LEVEL (mPD)
7F	+42.400

B.D. REF :

CLIENT :  
 信和置業有限公司  
Sino Land Company Limited

ARCHITECT :  
 WONG TUNG & PARTNERS LIMITED  
ARCHITECTS & PLANNERS

MAIN CONTRACTOR :  
 CR Construction Company Limited

STRUCTURAL ENGINEER :  
 AECOM

FACADE CONSULTANT:

NOTE :  
1. ALL DIMENSIONS ARE IN mm.  
2. ALL ELEVATIONS ARE VIEWED FROM OUTSIDE.  
3. ALL DIMENSIONS TO BE VERIFIED ON SITE BEFORE FABRICATION.

LEGEND :  
X1 --- DETAIL MARK NO.  
X001 --- REFER SHEET NO.

1. F.F.L. --- FINISHED FLOOR LEVEL  
2. S.F.L. --- STRUCTURAL FLOOR LEVEL  
3. (R) --- REVERSED DETAIL

NO.	DATE	REVISED	BY

JOB NO. : J-837  
PROJECT : URA KWUN TONG TOWN CENTRE  
REDEVELOPMENT (AREA 2 & 3) AT  
NKIL 6514, KWUN TONG, KWLOON


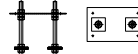



TITLE :  
7TH FLOOR EMBED LAYOUT PLAN  
OF CURTAIN WALL  
AT TOWER 2

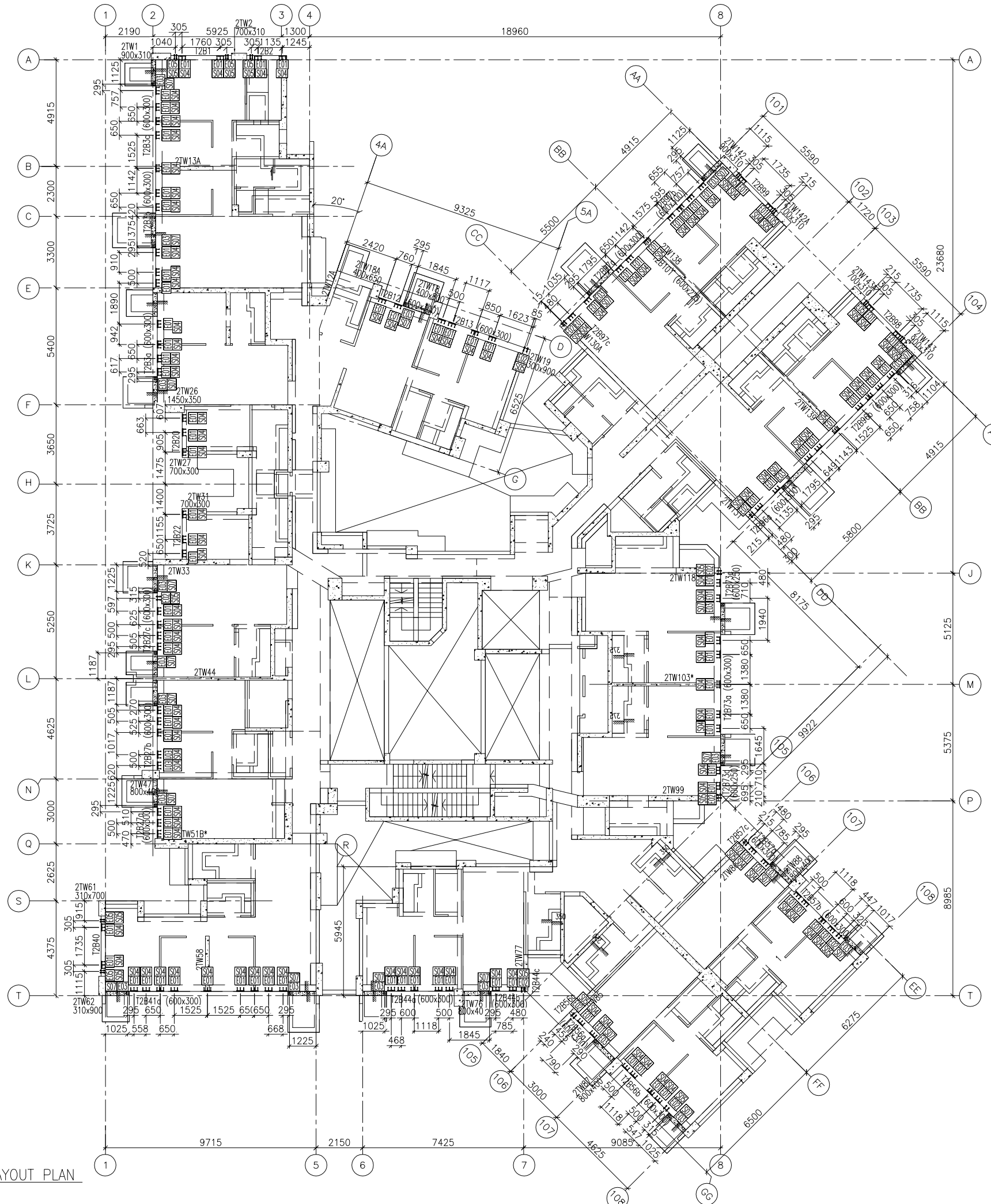
DATE : 04-JUL-18 SCALE : 1:100 (A1)  
DRAWN BY : ASING CHECKED BY : -

美特鋁質有限公司  
MIDI ALUMINIUM FABRICATOR LTD.  
Units 6-8, Sunray Industrial Centre, 1/F  
610 Cha Kwo Ling Road, Kowloon  
Tel: 23489211-4 Fax: (852) 2727666

DWG NO. : J8.37-CW-1202 REV. : -

LEGEND :

-  E01 = HILT, HAC-70  
CAST IN CHANNEL
-  E02 = CAST-IN HOLDING  
DOWN BOLT
-  E03 = GAL. MILD STEEL CAST  
IN EMBED
-  E04 = CAST-IN HOLDING  
DOWN BOLT
-  E05 = CAST-IN HOLDING  
DOWN BOLT



1 TYPICAL FLOOR EMBED LAYOUT PLAN  
AT TOWER 2

B.D. REF :

CLIENT :  
**信和置業有限公司**  
Sino Land Company Limited

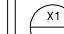

ARCHITECT :  
**WONG TUNG & PARTNERS LIMITED**  
ARCHITECTS & PLANNERS

MAIN CONTRACTOR :  
**CR Construction Company Limited**

STRUCTURAL ENGINEER :  
**AECOM**

FACADE CONSULTANT:

- NOTE :
1. ALL DIMENSIONS ARE IN mm.
  2. ALL ELEVATIONS ARE VIEWED FROM OUTSIDE.
  3. ALL DIMENSIONS TO BE VERIFIED ON SITE BEFORE FABRICATION.

- LEGEND :
-  X1 --- DETAIL MARK NO.
  -  X001 --- REFER SHEET NO.

1. F.F.L. --- FINISHED FLOOR LEVEL
2. S.F.L. --- STRUCTURAL FLOOR LEVEL
3. (R) --- REVERSED DETAIL

FLOOR LEVEL (S.F.L.)(T2)

FLOOR NUMBERING	LEVEL (mPD)
8F	45.550
9F	48.700
10F	51.850
11F	55.000
12F	58.150
15F	61.300
16F	64.450
17F	67.600
18F	70.750
19F	73.900
20F	77.050
21F	80.200
22F	83.350
23F	86.500
25F	89.650
26F	92.800
29F	102.250
30F	105.400
31F	108.550
32F	111.700
33F	114.850
35F	118.000
36F	121.150
37F	124.300
38F	127.450
39F	130.600
40F	133.750
41F	136.900
42F	140.050
43F	143.100
45F	146.350
46F	149.500
47F	152.650
48F	155.800
49F	158.950
50F	162.100
51F	165.250
52F	168.400
53F	171.550

NO.	DATE	REVISED	BY

JOB NO. : J-837  
PROJECT : URA KWUN TONG TOWN CENTRE REDEVELOPMENT (AREA 2 & 3) AT NKIL 6514, KWUN TONG, KWLOON

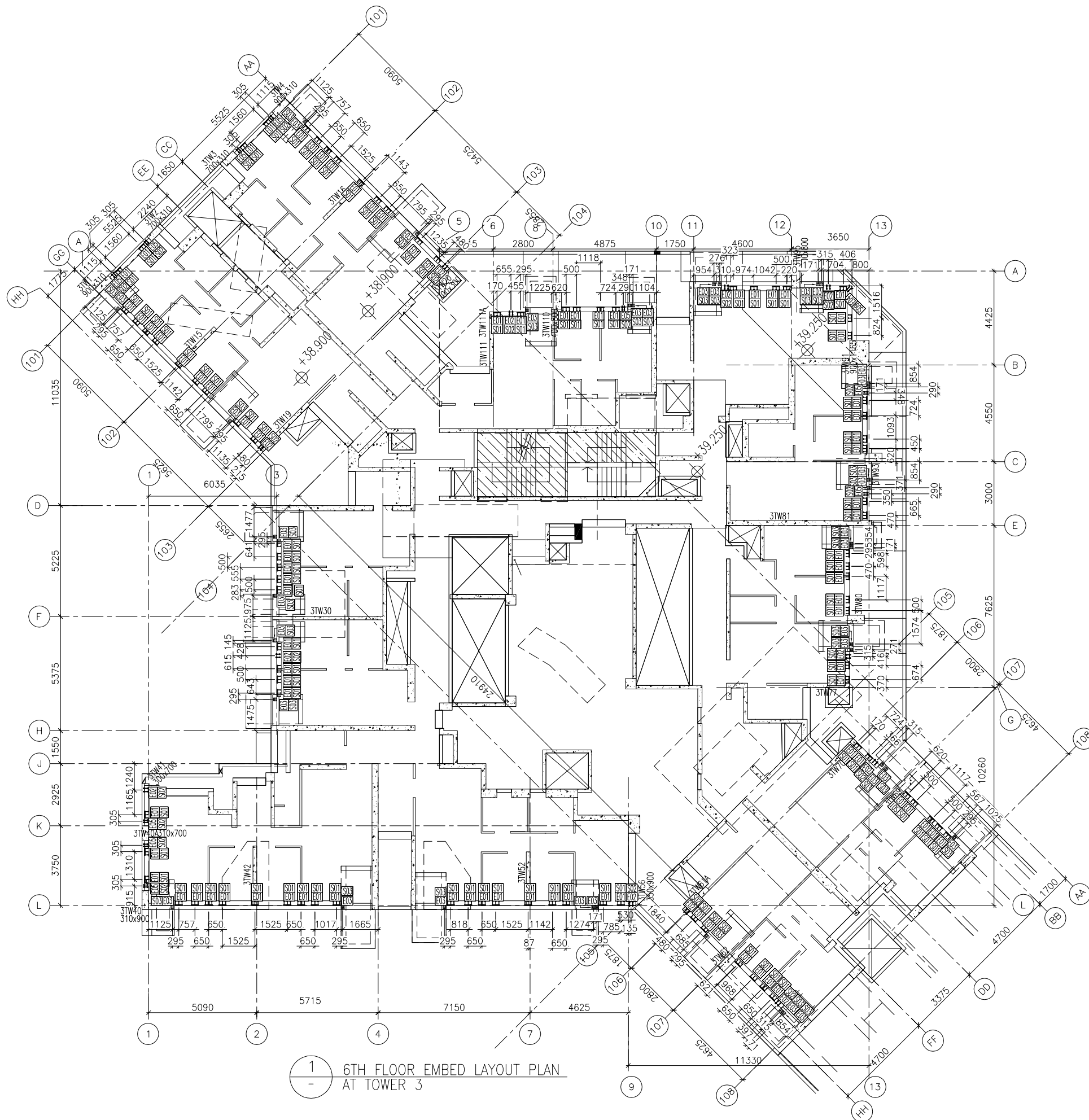
TITLE : TYPICAL FLOOR EMBED LAYOUT PLAN OF CURTAIN WALL AT TOWER 2

DATE : 04-JUL-18 SCALE : 1:100 (A1)

DRAWN BY : ASING CHECKED BY : -

**美特鋁質有限公司**  
MIDI ALUMINIUM FABRICATOR LTD.  
Units 6-8, Sunray Industrial Centre, 1/F  
610 Cha Kwo Ling Road, Kowloon  
Tel: 23489211-4 Fax: (852) 2727666

DWG NO. : J837-CW-1203 REV. : -



1  
-  
6TH FLOOR EMBED LAYOUT PLAN  
AT TOWER 3

- LEGEND :**
- E01 = HILIT, HAC-70 CAST IN CHANNEL
  - E02 = CAST-IN HOLDING DOWN BOLT
  - E03 = GAL. MILD STEEL CAST IN EMBED
  - E04 = CAST-IN HOLDING DOWN BOLT
  - E05 = CAST-IN HOLDING DOWN BOLT

**FLOOR LEVEL (S.F.L.)(I3)**

FLOOR NUMBERING	LEVEL (mPD)
6/F	+38.900

B.D. REF :

CLIENT :  
 信和置業有限公司  
 Sino Land Company Limited

ARCHITECT :  
 WONG TUNG & PARTNERS LIMITED  
 ARCHITECTS & PLANNERS

MAIN CONTRACTOR :  
 CR Construction Company Limited

STRUCTURAL ENGINEER :  
 AECOM

FACADE CONSULTANT:

**NOTE :**  
 1. ALL DIMENSIONS ARE IN mm.  
 2. ALL ELEVATIONS ARE VIEWED FROM OUTSIDE.  
 3. ALL DIMENSIONS TO BE VERIFIED ON SITE BEFORE FABRICATION.

**LEGEND :**  
 (X1) --- DETAIL MARK NO.  
 (X001) --- REFER SHEET NO.

1. F.F.L. --- FINISHED FLOOR LEVEL  
 2. S.F.L. --- STRUCTURAL FLOOR LEVEL  
 3. (R) --- REVERSED DETAIL

NO.	DATE	REVISED	BY

JOB NO. : J-837  
 PROJECT :  
 URA KWUN TONG TOWN CENTRE  
 REDEVELOPMENT (AREA 2 & 3) AT  
 NKIL 6514, KWUN TONG, KWLOON

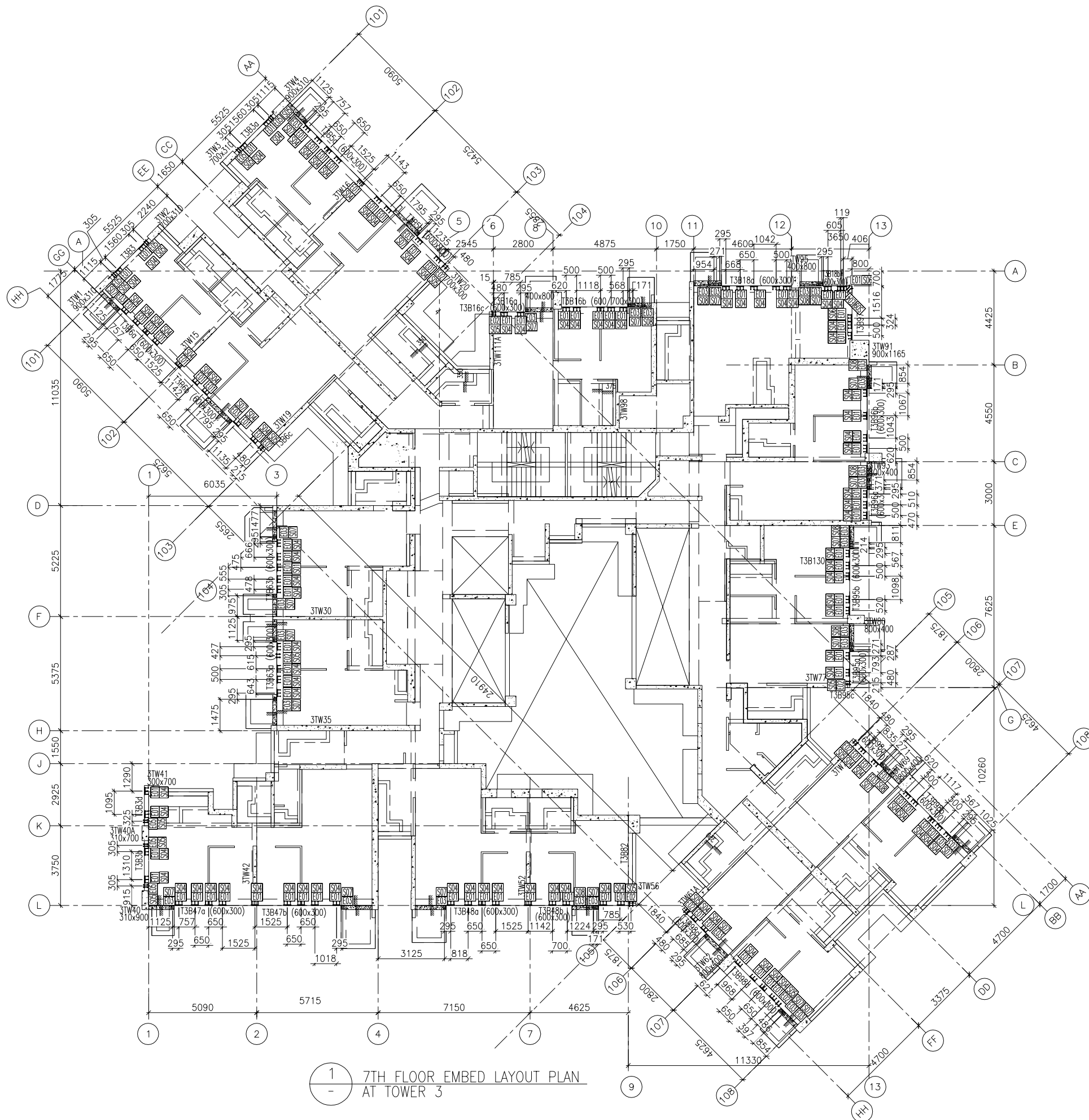
TITLE :  
 6TH FLOOR EMBED LAYOUT PLAN  
 OF CURTAIN WALL  
 AT TOWER 3

DATE : 04-JUL-18 SCALE : 1:100 (A1)

DRAWN BY : ASING CHECKED BY : -

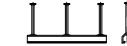
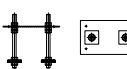
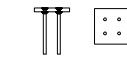
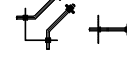

美特鋁質有限公司  
 MIDI ALUMINIUM FABRICATOR LTD.  
 Units 6-8, Sunray Industrial Centre, 1/F  
 610 Cha Kwo Ling Road, Kowloon  
 Tel: 23489211-4 Fax: (852) 2727666

DWG NO. : J837-CW-1301 REV. : -



1 7TH FLOOR EMBED LAYOUT PLAN  
- AT TOWER 3

LEGEND :

-  E01 = HILIT, HAC-70  
CAST IN CHANNEL
-  E02 = CAST-IN HOLDING  
DOWN BOLT
-  E03 = GAL. MILD STEEL CAST  
IN EMBED
-  E04 = CAST-IN HOLDING  
DOWN BOLT
-  E05 = CAST-IN HOLDING  
DOWN BOLT


FLOOR LEVEL (S.F.L.)(T3)

FLOOR NUMBERING	LEVEL (mPD)
7F	+42.400

B.D. REF :

CLIENT :  
 信和置業有限公司  
Sino Land Company Limited

ARCHITECT :  
 WONG TUNG & PARTNERS LIMITED  
ARCHITECTS & PLANNERS

MAIN CONTRACTOR :  
 CR Construction Company Limited

STRUCTURAL ENGINEER :  
 AECOM

FACADE CONSULTANT:

NOTE :  
1. ALL DIMENSIONS ARE IN mm.  
2. ALL ELEVATIONS ARE VIEWED FROM OUTSIDE.  
3. ALL DIMENSIONS TO BE VERIFIED ON SITE BEFORE FABRICATION.

LEGEND :  
X1 --- DETAIL MARK NO.  
X001 --- REFER SHEET NO.  
1. F.F.L. --- FINISHED FLOOR LEVEL  
2. S.F.L. --- STRUCTURAL FLOOR LEVEL  
3. (R) --- REVERSED DETAIL

NO.	DATE	REVISED	BY


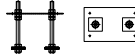



JOB NO. : J-837  
PROJECT : URA KWUN TONG TOWN CENTRE  
REDEVELOPMENT (AREA 2 & 3) AT  
NKIL 6514, KWUN TONG, KWLOON

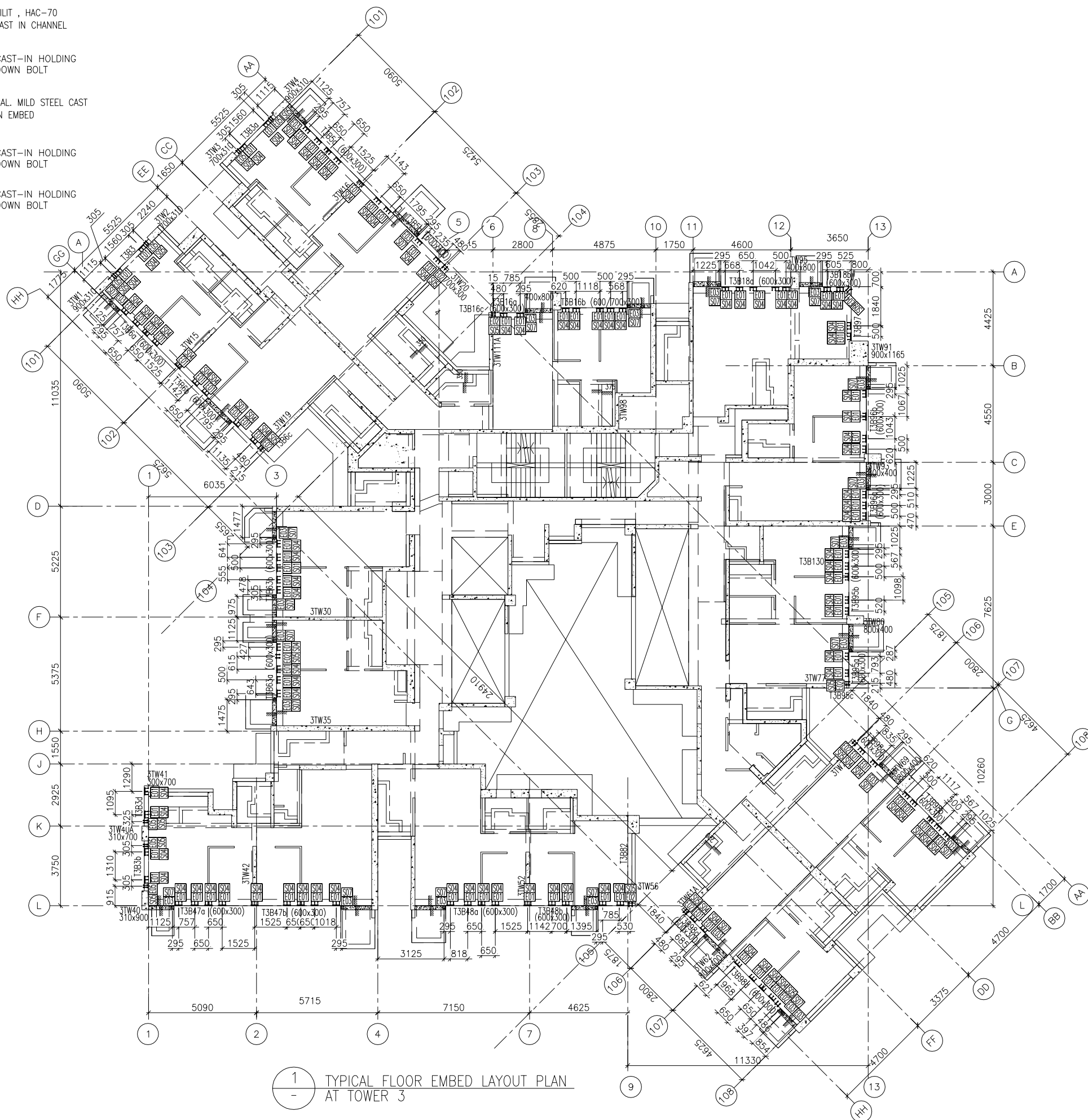
TITLE :  
7TH FLOOR EMBED LAYOUT PLAN  
OF CURTAIN WALL  
AT TOWER 3

DATE : 04-JUL-18 SCALE : 1:100 (A1)  
DRAWN BY : ASING CHECKED BY : -

 美特鋁質有限公司  
MIDI ALUMINIUM FABRICATOR LTD.  
Units 6-8, Sunray Industrial Centre, 1/F  
610 Cha Kwo Ling Road, Kowloon  
Tel: 23489211-4 Fax: (852) 27727666  
DWG NO. : J837-CW-1302 REV. : -

LEGEND :

-  E01 = HILT, HAC-70  
CAST IN CHANNEL
-  E02 = CAST-IN HOLDING  
DOWN BOLT
-  E03 = GAL. MILD STEEL CAST  
IN EMBED
-  E04 = CAST-IN HOLDING  
DOWN BOLT
-  E05 = CAST-IN HOLDING  
DOWN BOLT



1 TYPICAL FLOOR EMBED LAYOUT PLAN AT TOWER 3

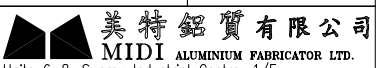
FLOOR LEVEL (S.F.L.)(T3)

FLOOR NUMBERING	LEVEL (mPD)
8F	45.550
9F	48.700
10F	51.850
11F	55.000
12F	58.150
15F	61.300
16F	64.450
17F	67.600
18F	70.750
19F	73.900
20F	77.050
21F	80.200
22F	83.350
23F	86.500
25F	89.650
26F	92.800
29F	102.250
30F	105.400
31F	108.550
32F	111.700
33F	114.850
35F	118.000
36F	121.150
37F	124.300
38F	127.450
39F	130.600
40F	133.750
41F	136.900
42F	140.050
43F	143.100
45F	146.350
46F	149.500
47F	152.650
48F	155.800
49F	158.950
50F	162.100
51F	165.250

- NOTE :
1. ALL DIMENSIONS ARE IN mm.
  2. ALL ELEVATIONS ARE VIEWED FROM OUTSIDE.
  3. ALL DIMENSIONS TO BE VERIFIED ON SITE BEFORE FABRICATION.

- LEGEND :
- (X1) --- DETAIL MARK NO.
  - (X001) --- REFER SHEET NO.

1. F.F.L. --- FINISHED FLOOR LEVEL
2. S.F.L. --- STRUCTURAL FLOOR LEVEL
3. (R) --- REVERSED DETAIL

NO.	DATE	REVISED	BY
JOB NO. : J-837			
PROJECT : URA KWUN TONG TOWN CENTRE REDEVELOPMENT (AREA 2 & 3) AT NKIL 6514, KWUN TONG, KWLOON			
TITLE : TYPICAL FLOOR EMBED LAYOUT PLAN OF CURTAIN WALL AT TOWER 3			
DATE : 04-JUL-18		SCALE : 1:100 (A1)	
DRAWN BY : ASING		CHECKED BY : -	
 <p>美特鋁質有限公司 MIDI ALUMINIUM FABRICATOR LTD. Units 6-8, Sunray Industrial Centre, 1/F 610 Cha Kwo Ling Road, Kowloon Tel: 23489211-4 Fax: (852) 27727666</p>			
DWG NO. : J837-CW-1303			REV. : -

B.D. REF :

CLIENT :  

 信和置業有限公司  
Sino Land Company Limited

ARCHITECT :  

 WONG TUNG & PARTNERS LIMITED  
ARCHITECTS & PLANNERS

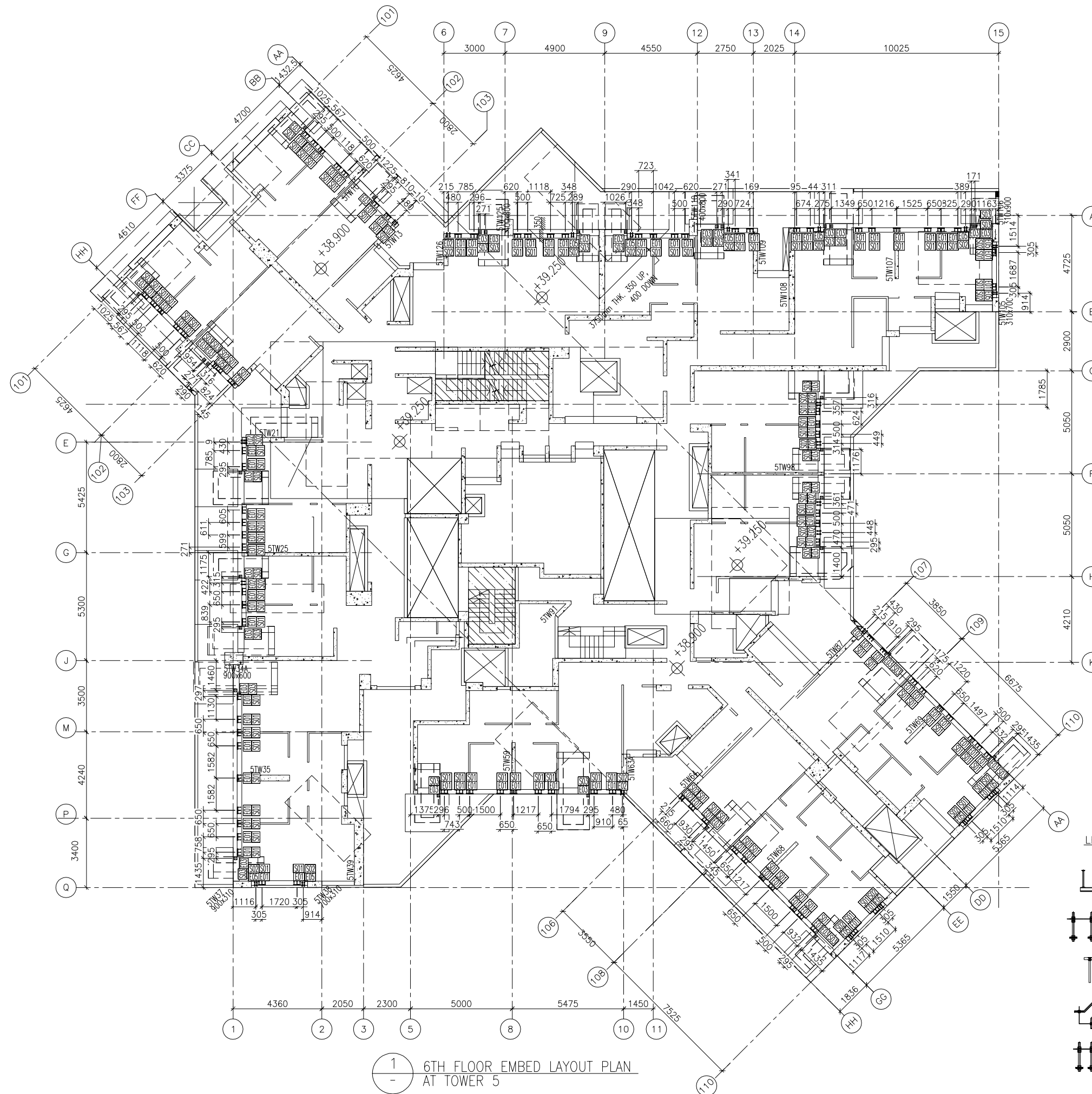
MAIN CONTRACTOR :  

 CR Construction Company Limited

STRUCTURAL ENGINEER :  

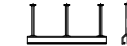
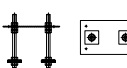
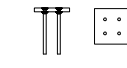
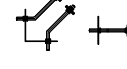

 AECOM

FACADE CONSULTANT:



1 6TH FLOOR EMBED LAYOUT PLAN  
AT TOWER 5

LEGEND :

-  E01 = HILIT, HAC-70 CAST IN CHANNEL
-  E02 = CAST-IN HOLDING DOWN BOLT
-  E03 = GAL. MILD STEEL CAST IN EMBED
-  E04 = CAST-IN HOLDING DOWN BOLT
-  E05 = CAST-IN HOLDING DOWN BOLT

FLOOR LEVEL (S.F.L.)(T5)

FLOOR NUMBERING	LEVEL (mPD)
6/F	+38.900

B.D. REF :

CLIENT :  
 信和置業有限公司  
 Sino Land Company Limited

ARCHITECT :  
 WONG TUNG & PARTNERS LIMITED  
 ARCHITECTS & PLANNERS  


MAIN CONTRACTOR :  
 CR Construction Company Limited

STRUCTURAL ENGINEER :  


FACADE CONSULTANT:

NOTE :  
 1. ALL DIMENSIONS ARE IN mm.  
 2. ALL ELEVATIONS ARE VIEWED FROM OUTSIDE.  
 3. ALL DIMENSIONS TO BE VERIFIED ON SITE BEFORE FABRICATION.

LEGEND :  
 (X1) --- DETAIL MARK NO.  
 (X001) --- REFER SHEET NO.

1. F.F.L. --- FINISHED FLOOR LEVEL  
 2. S.F.L. --- STRUCTURAL FLOOR LEVEL  
 3. (R) --- REVERSED DETAIL

NO.	DATE	REVISED	BY

JOB NO. : J-837

PROJECT :  
 URA KWUN TONG TOWN CENTRE  
 REDEVELOPMENT (AREA 2 & 3) AT  
 NKIL 6514, KWUN TONG, KWLOON

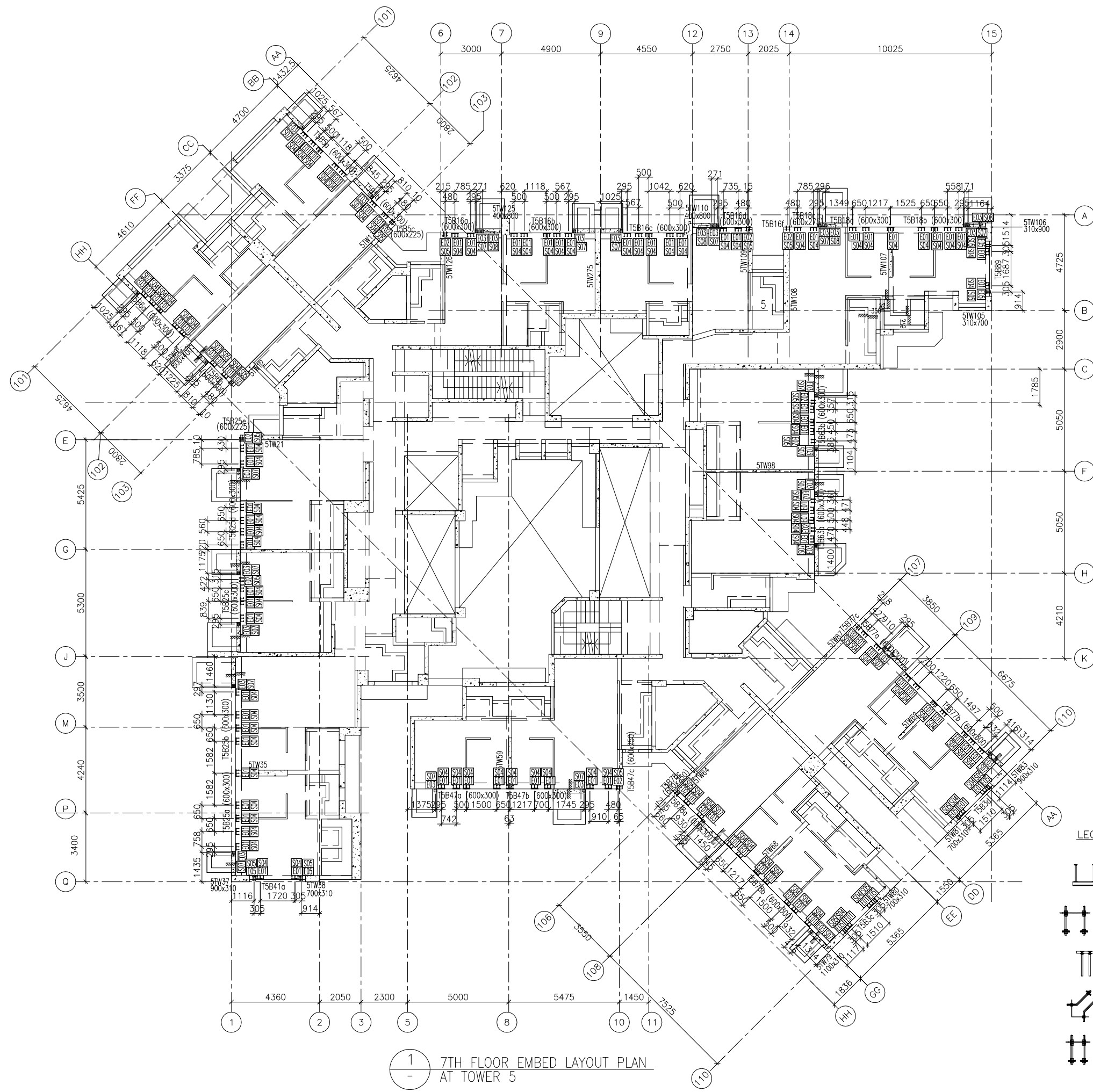
TITLE :  
 6TH FLOOR EMBED LAYOUT PLAN  
 OF CURTAIN WALL  
 AT TOWER 5

DATE : 04-JUL-18 SCALE : 1:100 (A1)

DRAWN BY : ASING CHECKED BY : -

 美特鋁質有限公司  
 MIDI ALUMINIUM FABRICATOR LTD.  
 Units 6-8, Sunray Industrial Centre, 1/F  
 610 Cha Kwo Ling Road, Kowloon  
 Tel: 23489211-4 Fax: (852) 2727666

DWG NO. : J837-CW-1501 REV. : -



- LEGEND :**
- E01 = HILIT, HAC-70 CAST IN CHANNEL
  - E02 = CAST-IN HOLDING DOWN BOLT
  - E03 = GAL. MILD STEEL CAST IN EMBED
  - E04 = CAST-IN HOLDING DOWN BOLT
  - E05 = CAST-IN HOLDING DOWN BOLT

**FLOOR LEVEL (S.F.L.)(T5)**

FLOOR NUMBERING	LEVEL (mPD)
7F	+42.400

B.D. REF :

CLIENT :  
 信和置業有限公司  
 Sino Land Company Limited

ARCHITECT :  
 WONG TUNG & PARTNERS LIMITED  
 ARCHITECTS & PLANNERS

MAIN CONTRACTOR :  
 CR Construction Company Limited

STRUCTURAL ENGINEER :  
 AECOM

FACADE CONSULTANT:

- NOTE :**
- ALL DIMENSIONS ARE IN mm.
  - ALL ELEVATIONS ARE VIEWED FROM OUTSIDE.
  - ALL DIMENSIONS TO BE VERIFIED ON SITE BEFORE FABRICATION.
- LEGEND :**
- X1 --- DETAIL MARK NO.
  - X001 --- REFER SHEET NO.
- F.F.L. --- FINISHED FLOOR LEVEL
  - S.F.L. --- STRUCTURAL FLOOR LEVEL
  - REVERSED DETAIL

NO.	DATE	REVISED	BY

JOB NO. : J-837  
 PROJECT : URA KWUN TONG TOWN CENTRE REDEVELOPMENT (AREA 2 & 3) AT NKIL 6514, KWUN TONG, KWLOON


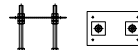



TITLE : 7TH FLOOR EMBED LAYOUT PLAN OF CURTAIN WALL AT TOWER 5

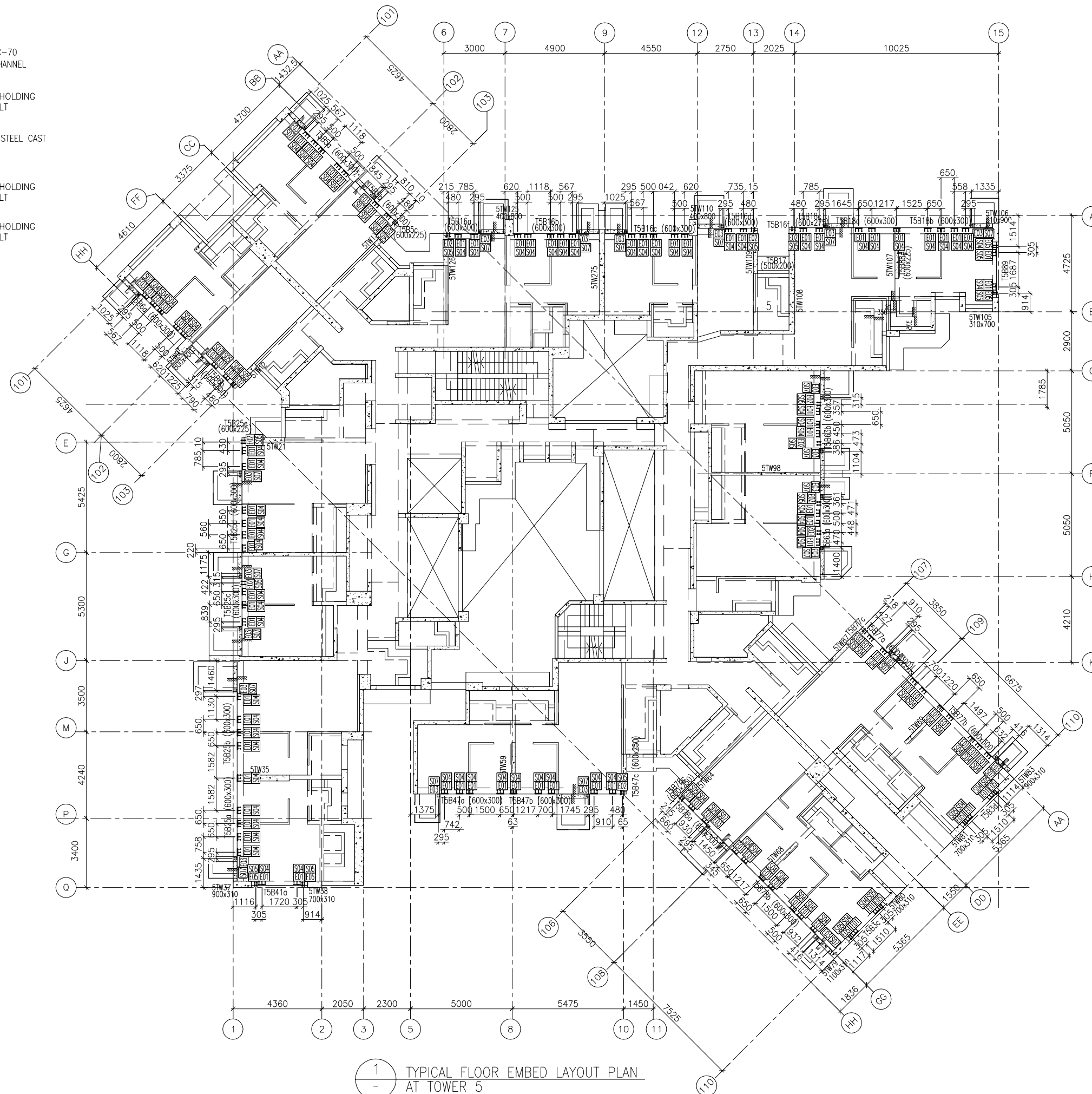
DATE : 04-JUL-18 SCALE : 1:100 (A1)

DRAWN BY : ASING CHECKED BY : -

美特鋁質有限公司  
 MIDI ALUMINIUM FABRICATOR LTD.  
 Units 6-8, Sunray Industrial Centre, 1/F  
 610 Cha Kwo Ling Road, Kowloon  
 Tel: 23489211-4 Fax: (852) 2727666  
 DWG NO. : J837-CW-1502 REV. : -

LEGEND :

-  E01 = HILIT, HAC-70  
CAST IN CHANNEL
-  E02 = CAST-IN HOLDING  
DOWN BOLT
-  E03 = GAL. MILD STEEL CAST  
IN EMBED
-  E04 = CAST-IN HOLDING  
DOWN BOLT
-  E05 = CAST-IN HOLDING  
DOWN BOLT



1 TYPICAL FLOOR EMBED LAYOUT PLAN AT TOWER 5

B.D. REF :

CLIENT :

 信和置業有限公司  
Sino Land Company Limited

ARCHITECT :

WONG TUNG & PARTNERS LIMITED  
ARCHITECTS & PLANNERS  


MAIN CONTRACTOR :

 CR Construction Company Limited

STRUCTURAL ENGINEER :



FACADE CONSULTANT:

NOTE :

1. ALL DIMENSIONS ARE IN mm.
2. ALL ELEVATIONS ARE VIEWED FROM OUTSIDE.
3. ALL DIMENSIONS TO BE VERIFIED ON SITE BEFORE FABRICATION.

LEGEND :

-  X1 --- DETAIL MARK NO.
-  X001 --- REFER SHEET NO.

1. F.F.L. --- FINISHED FLOOR LEVEL
2. S.F.L. --- STRUCTURAL FLOOR LEVEL
3. (R) --- REVERSED DETAIL

FLOOR LEVEL (S.F.L.)(T5)

FLOOR NUMBERING	LEVEL (mPD)
8F	45.550
9F	48.700
10F	51.850
11F	55.000
12F	58.150
15F	61.300
16F	64.450
17F	67.600
18F	70.750
19F	73.900
20F	77.050
21F	80.200
22F	83.350
23F	86.500
25F	89.650
26F	92.800
29F	102.250
30F	105.400
31F	108.550
32F	111.700
33F	114.850
35F	118.000
36F	121.150
37F	124.300
38F	127.450
39F	130.600
40F	133.750
41F	136.900
42F	140.050
43F	143.100
45F	146.350
46F	149.500
47F	152.650
48F	155.800
49F	158.950
50F	162.100

NO.	DATE	REVISED	BY

JOB NO. : J-837

PROJECT :  
URA KWUN TONG TOWN CENTRE  
REDEVELOPMENT (AREA 2 & 3) AT  
NKIL 6514, KWUN TONG, KWLOON

TITLE :  
TYPICAL FLOOR EMBED LAYOUT PLAN  
OF CURTAIN WALL  
AT TOWER 5

DATE : 04-JUL-18 SCALE : 1:100 (A1)

DRAWN BY : ASING CHECKED BY : -

 美特鋁質有限公司  
MIDI ALUMINIUM FABRICATOR LTD.  
Units 6-8, Sunray Industrial Centre, 1/F  
610 Cha Kwo Ling Road, Kowloon  
Tel:23489211-4 Fax:(852)2727666

DWG NO. : J837-CW-1503 REV. : -