



工程指示 / 要求簡箋(E.I.)

工程指示編號：EI / 9487 / 19

修改版次：~~4~~ 6

工程編號：J - 837

工程名稱：觀塘裕民坊

工程項目：佛沙窗大圖 特式層

收件人：生統 / 永林

發件人：Bessie Lau

日期：24/04/2019

要求提供 / 確認 事項：

- | | | |
|------------------------------------|-------------------------------------|-------------------------------|
| <input type="checkbox"/> 初步鋁料 B.M. | <input type="checkbox"/> 加工拆圖，然後生產 | <input type="checkbox"/> 尺寸表 |
| <input type="checkbox"/> 正式鋁料 B.M. | <input type="checkbox"/> 技術上資料 / 指示 | <input type="checkbox"/> 報價 |
| <input type="checkbox"/> 配件 B.M. | <input type="checkbox"/> 樣辦或貨品說明書 | <input type="checkbox"/> 分判合約 |
| <input type="checkbox"/> 其他：_____ | | |

內容：

煩請按此提供鋁料 BM, 暫不用提供拆圖, 謝謝!

共 5 幅窗

請在 26/4/19 前完成上列要求。

附 CD 稿

文件夾名稱 = J-837 佛沙窗施工圖
(第五版次).rar

附有關圖紙 / 文件：

以上項目為：

- 原合約工程包 原合約工程加 / 減賬 新工程報價

原因：-

分發東莞各部門：

- () 生產技術總監 連附件 技術部 連附件 () 生產部 連附件 () 機械設計部 連附件
 () 採購部 連附件 () 生產統籌部 連附件
 () 質檢部 連附件 會計部 連附件 () 報關組 連附件 () 其他 _____ 連附件

分發香港各部門：

- () 行政部 連附件 () 會計部 連附件 () 統籌部 連附件 () 工程部地盤科文 連附件
 () 採購部 連附件 () QS 部 連附件 () 維修部 連附件 () 其他 _____ 連附件

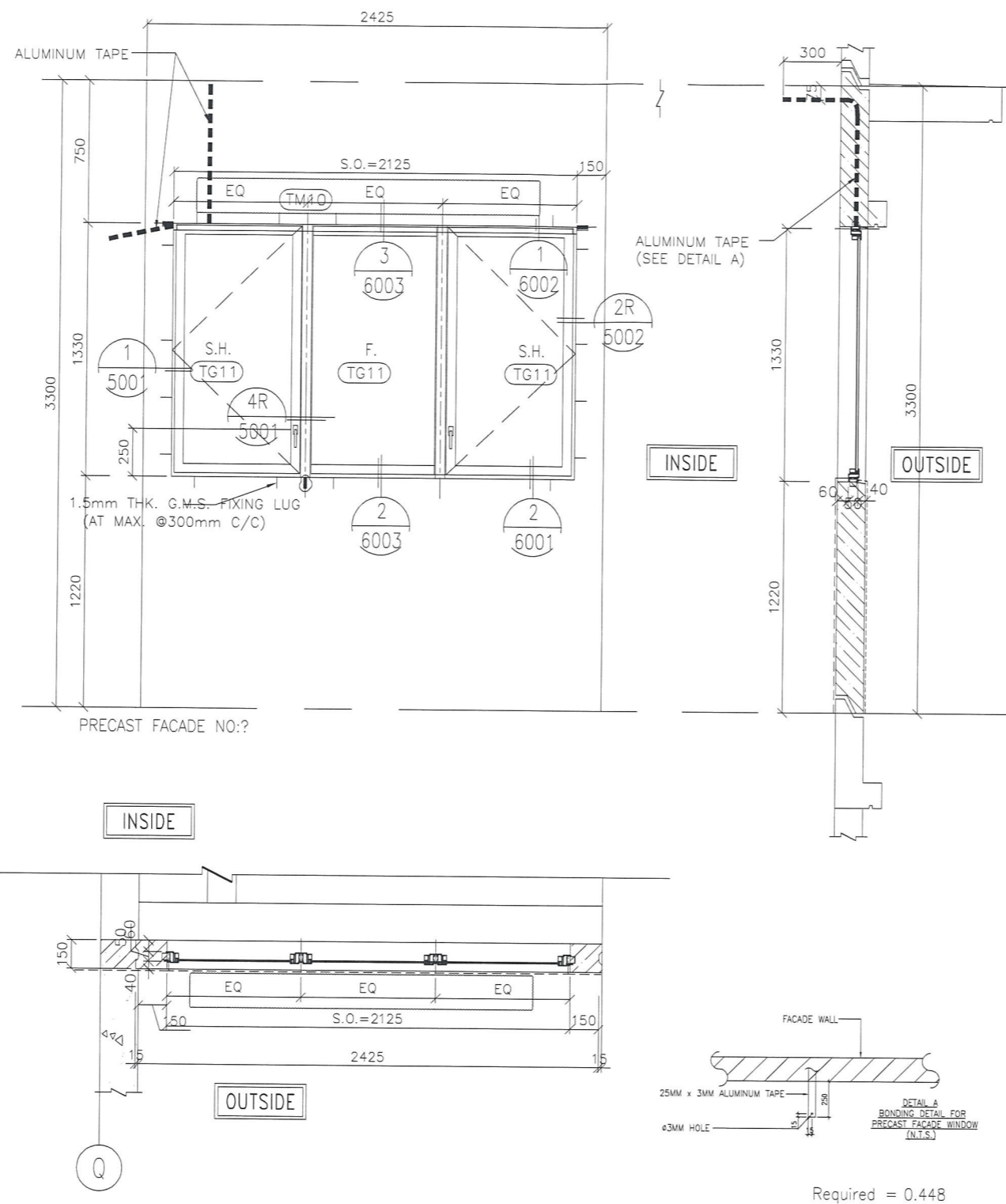
傳遞編號：

HF0974/19

發件人簽署：

項目經理簽署：

ELEVATION



GLAZING AREA	Required = 0.83
	Provided = 1.94
OPENABLE AREA	Required = 0.855
	Provided = 1.35

WINDOW MARK	T2W 55G-BR3
SECTION :	50mm ALUM. SECTION
QTY.	1 NOS.
LOCATION :	T2 55/F FLAT G BR3
GLAZING	8mm THK. CLEAR TEMPERED GLASS
REMARK :	

B.D. REF :

CLIENT :
 信和置業有限公司
 Sino Land Company Limited

ARCHITECT :
 WONG TUNG & PARTNERS LIMITED
 ARCHITECTS & PLANNERS

MAIN CONTRACTOR :
 CR Construction Company Limited

STRUCTURAL ENGINEER :
 AECOM

FACADE CONSULTANT:

NOTE :
 1. ALL DIMENSIONS ARE IN mm.
 2. ALL ELEVATIONS ARE VIEWED FROM OUTSIDE.
 3. ALL DIMENSIONS TO BE VERIFIED ON SITE BEFORE FABRICATION.

LEGEND :
 X1 --- DETAIL MARK NO.
 X001 --- REFER SHEET NO.
 1. F.F.L. --- FINISHED FLOOR LEVEL
 2. S.F.L. --- STRUCTURAL FLOOR LEVEL
 3. (R) --- REVERSED DETAIL

NO.	DATE	REVISED	BY
E	2019/4/15	BY ARCHITECT COMMENT	Zeng
D	2019/1/25	BY ARCHITECT COMMENT	Zeng
C	2018/10/20	BY ARCHITECT COMMENT	Zeng
B	2018/08/03	BY ARCHITECT COMMENT	Zeng
A	2018/07/19	BY ARCHITECT COMMENT	Zeng

JOB NO. : J-837
 PROJECT :
 URA KWUN TONG TOWN CENTRE
 REDEVELOPMENT (AREA 2 & 3) AT
 NKIL 6514, KWUN TONG, KOWLOON

TITLE :
 ALUM. WINDOW SCHEDULE
 (FOR T2)

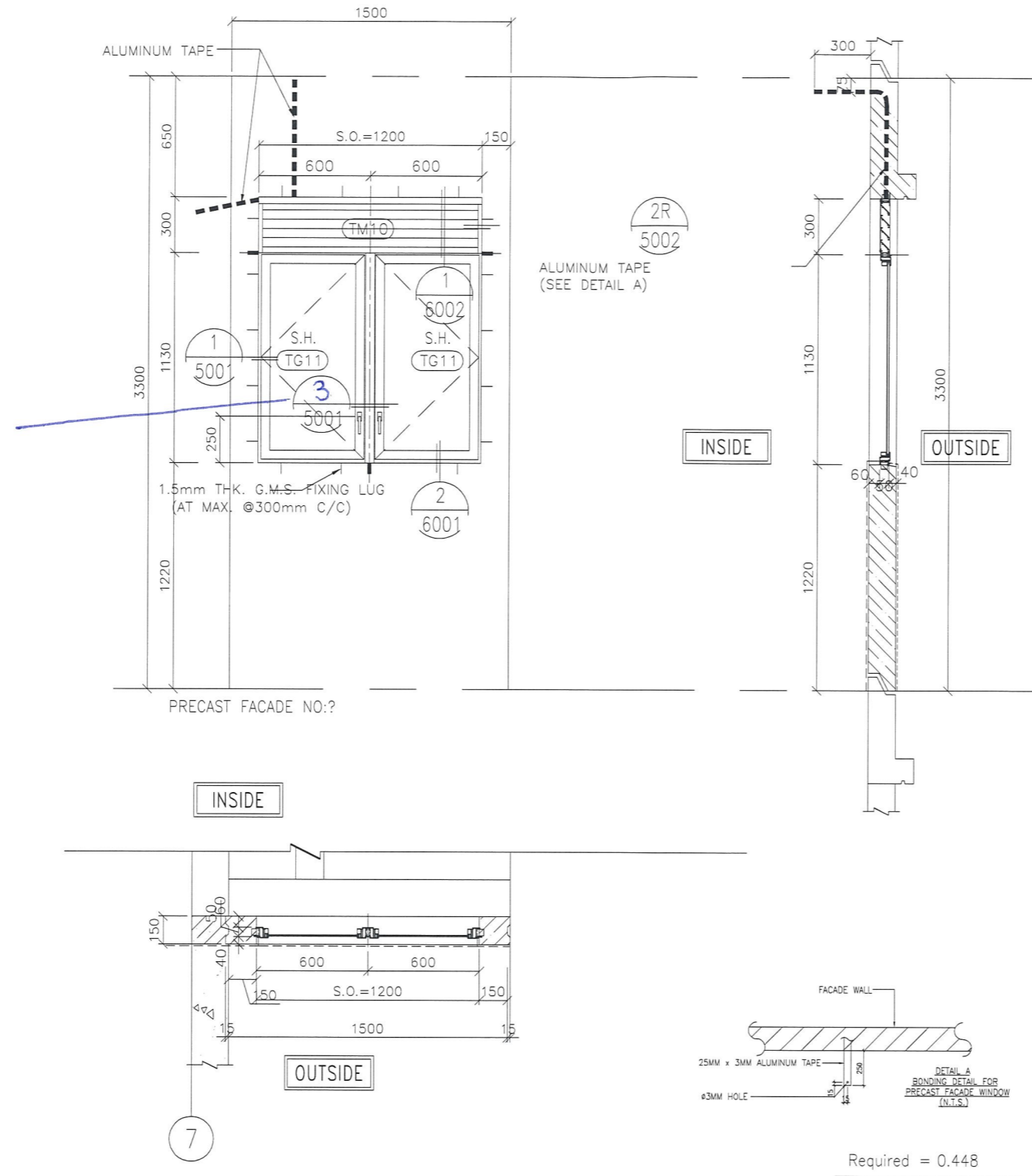
DATE : 04-JUL-18 SCALE : 1:30
 DRAWN BY : Zeng CHECKED BY : DW

英特鋁質有限公司
 MIDI ALUMINIUM FABRICATOR LTD.
 Units 6-8, Sunray Industrial Centre, 1/F
 610 Cha Kwo Ling Road, Kowloon
 Tel: 23489211-4 Fax: (852) 27727666

DWG NO. : J837-PW-2209 REV. : E

ELEVATION

此即以此為準！



GLAZING AREA	Required = 0.724
	Provided = 0.962
OPENABLE AREA	Required = 0.452
	Provided = 0.545

Required = 0.448

B.D. REF :

CLIENT :
 信和置業有限公司
 Sino Land Company Limited

ARCHITECT :
 WONG TUNG & PARTNERS LIMITED
 ARCHITECTS & PLANNERS

MAIN CONTRACTOR :
 CR Construction Company Limited

STRUCTURAL ENGINEER :
 AECOM

FACADE CONSULTANT:

NOTE :
 1. ALL DIMENSIONS ARE IN mm.
 2. ALL ELEVATIONS ARE VIEWED FROM OUTSIDE.
 3. ALL DIMENSIONS TO BE VERIFIED ON SITE BEFORE FABRICATION.

LEGEND :
 (X1) — DETAIL MARK NO.
 (X001) — REFER SHEET NO.

1. F.F.L. — FINISHED FLOOR LEVEL
 2. S.F.L. — STRUCTURAL FLOOR LEVEL
 3. (R) — REVERSED DETAIL

A	2019/4/15	BY ARCHITECT COMMENT	Zeng
NO.	DATE	REVISED	BY

JOB NO. : J-837
 PROJECT :
 URA KWUN TONG TOWN CENTRE
 REDEVELOPMENT (AREA 2 & 3) AT
 NKIL 6514, KWUN TONG, KOWLOON

TITLE :
 ALUM. WINDOW SCHEDULE
 (FOR T2)

DATE : 04-JUL-18 SCALE : 1:30
 DRAWN BY : Zeng CHECKED BY : DW

英特鋁質有限公司
 MIDI ALUMINIUM FABRICATOR LTD.
 Units 6-8, Sunray Industrial Centre, 1/F
 610 Cha Kwo Ling Road, Kowloon
 Tel: 23489211-4 Fax: (852) 27272666

DWG NO. : J837-PW-2212 REV. : A

WINDOW MARK

T2W
55G-KIT

SECTION :

50mm ALUM. SECTION

QTY.

1 NOS.

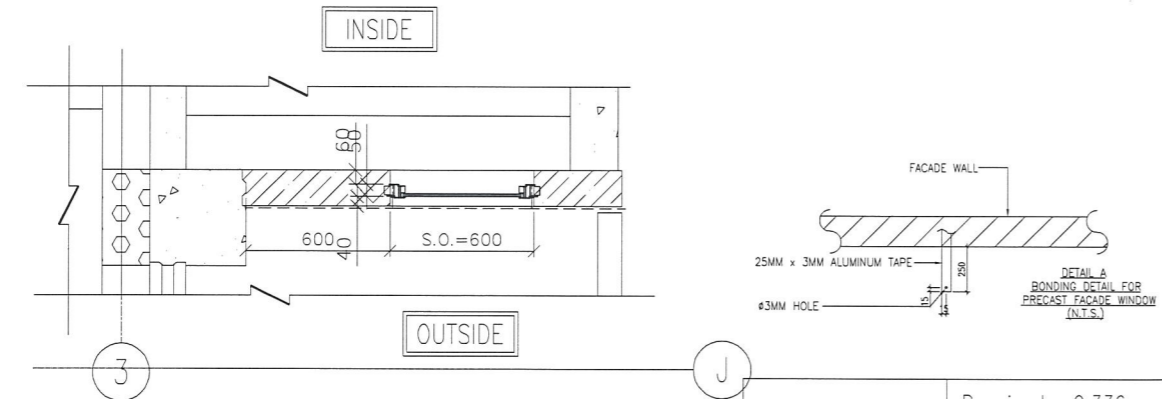
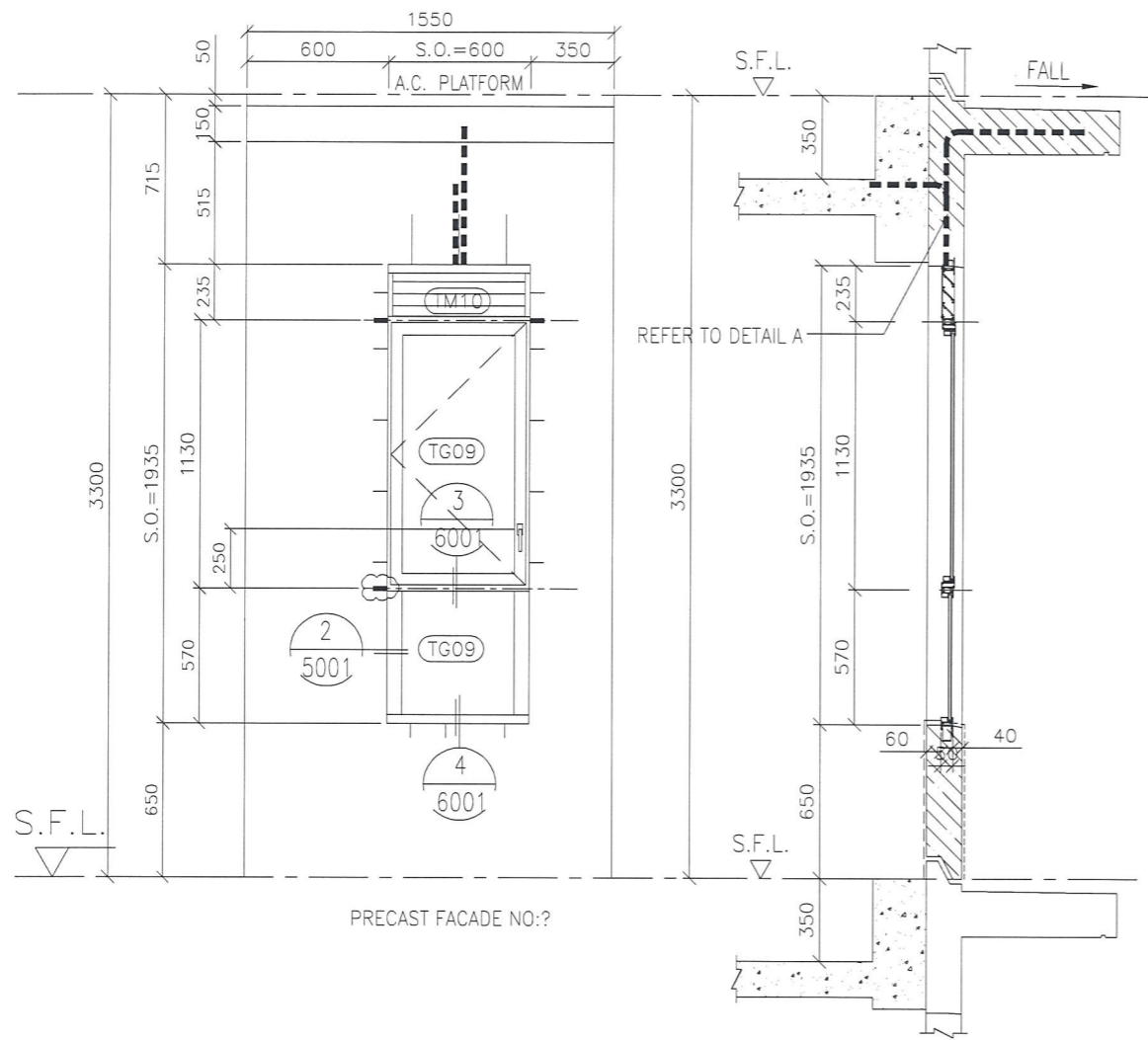
LOCATION :

T2 55/F FLAT G KIT

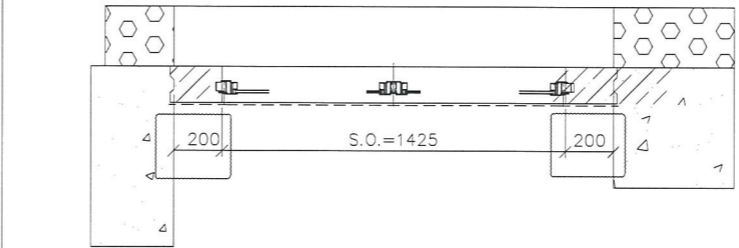
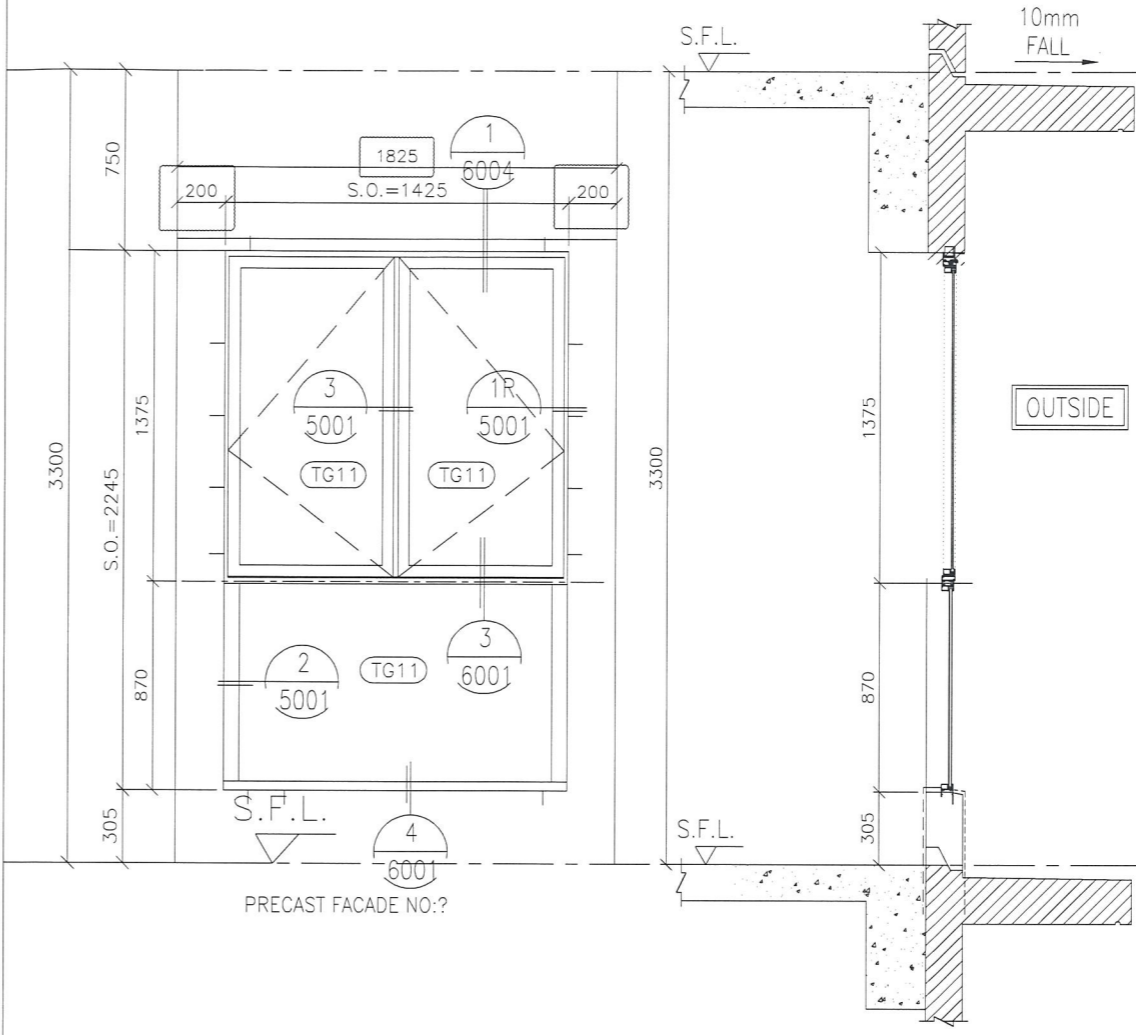
GLAZING

8mm THK. CLEAR TEMPERED GLASS

REMARK :



GLAZING AREA	Required = 0.336
	Provided = 0.711
OPENABLE AREA	Required = 0.336
	Provided = 0.545



GLAZING AREA	Required = 1.33
	Provided = 1.33
OPENABLE AREA	Required = 1.25
	Provided = 1.25

WINDOW MARK	T3W 52D-BATH2
SECTION :	50mm ALUM. SECTION
QTY.	1 NOS.
LOCATION :	T3 52F UNIT D BATH2
GLAZING	8mm THK ACID ETCHED FROSTED TEMPERED GLASS
REMARK :	

WINDOW MARK	T3W 52D-LIV
SECTION :	50mm ALUM. SECTION
QTY.	1 NOS.
LOCATION :	T3 52F UNIT D LIV.
GLAZING	8mm THK CLEAR TEMPERED GLASS
REMARK :	

B.D. REF :

CLIENT :
信和置業有限公司
Sino Land Company Limited

ARCHITECT :
WONG TUNG & PARTNERS LIMITED
ARCHITECTS & PLANNERS
WT

MAIN CONTRACTOR :
CR Construction Company Limited

STRUCTURAL ENGINEER :
AECOM

FACADE CONSULTANT:

NOTE :
1. ALL DIMENSIONS ARE IN mm.
2. ALL ELEVATIONS ARE VIEWED FROM OUTSIDE.
3. ALL DIMENSIONS TO BE VERIFIED ON SITE BEFORE FABRICATION.

LEGEND :
X1 — DETAIL MARK NO.
X001 — REFER SHEET NO.

1. F.F.L. — FINISHED FLOOR LEVEL
2. S.F.L. — STRUCTURAL FLOOR LEVEL
3. (R) — REVERSED DETAIL

A	2019/04/15	BY ARCHITECT COMMENT	Zeng
NO.	DATE	REVISED	BY

JOB NO. : J-837

PROJECT :
URA KWUN TONG TOWN CENTRE
REDEVELOPMENT (AREA 2 & 3) AT
NKIL 6514, KWUN TONG, KOWLOON

TITLE :
ALUM. WINDOW SCHEDULE
(FOR T3)

DATE : 04-JUL-18 SCALE : 1:30

DRAWN BY : Zeng CHECKED BY : DW


英特鋁質有限公司
MIDI ALUMINIUM FABRICATOR LTD.
Units 6-8, Sunray Industrial Centre, 1/F
610 Cha Kwo Ling Road, Kowloon
Tel:23489211-4 Fax:(852)2727666

DWG NO. : J837-PW-2314 REV. : A

B.D. REF :

CLIENT :
 信和置業有限公司
 Sino Land Company Limited

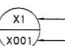

ARCHITECT :
WONG TUNG & PARTNERS LIMITED
 ARCHITECTS & PLANNERS


MAIN CONTRACTOR :
 CR Construction Company Limited

STRUCTURAL ENGINEER :
AECOM

FACADE CONSULTANT:

NOTE :
 1. ALL DIMENSIONS ARE IN mm.
 2. ALL ELEVATIONS ARE VIEWED FROM OUTSIDE.
 3. ALL DIMENSIONS TO BE VERIFIED ON SITE BEFORE FABRICATION.

LEGEND :
 -- DETAIL MARK NO.
 -- REFER SHEET NO.
 1. F.F.L. -- FINISHED FLOOR LEVEL
 2. S.F.L. -- STRUCTURAL FLOOR LEVEL
 3. (R) -- REVERSED DETAIL

NO.	DATE	REVISED	BY

JOB NO. : J-837
 PROJECT :
 URA KWUN TONG TOWN CENTRE
 REDEVELOPMENT (AREA 2 & 3) AT
 NKIL 6514, KWUN TONG, KOWLOON

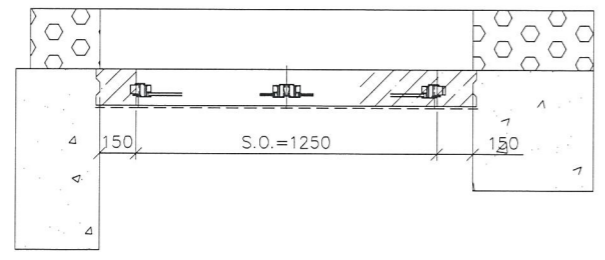
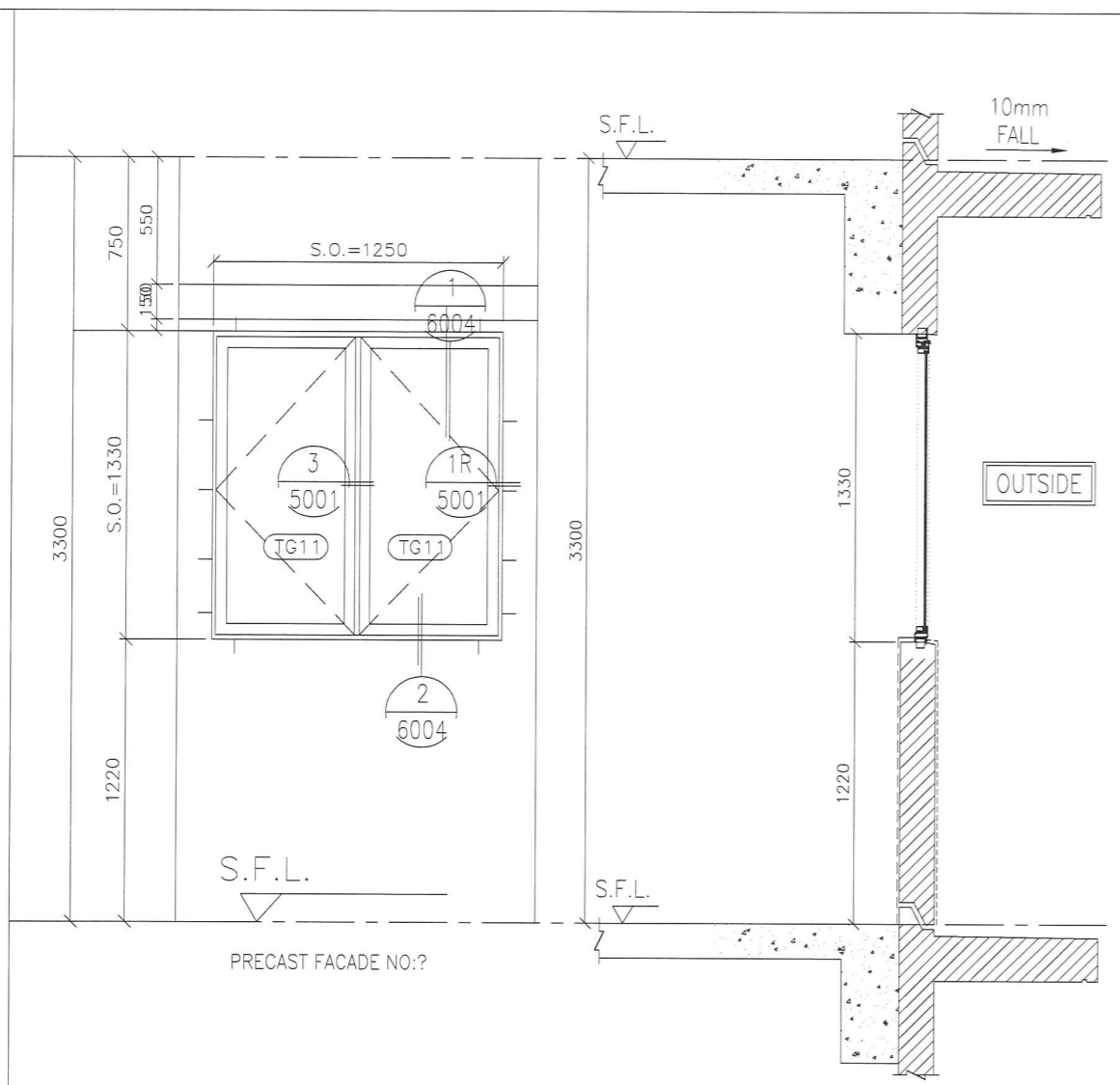
TITLE :
 ALUM. WINDOW SCHEDULE
 (FOR T3)

DATE : 04-JUL-18 SCALE : 1:30

DRAWN BY : Zeng CHECKED BY : DW


 **美特鋁質有限公司**
MIDI ALUMINIUM FABRICATOR LTD.
 Units 6-8, Sunray Industrial Centre, 1/F
 610 Cha Kwo Ling Road, Kowloon
 Tel:23489211-4 Fax:(852)27727666

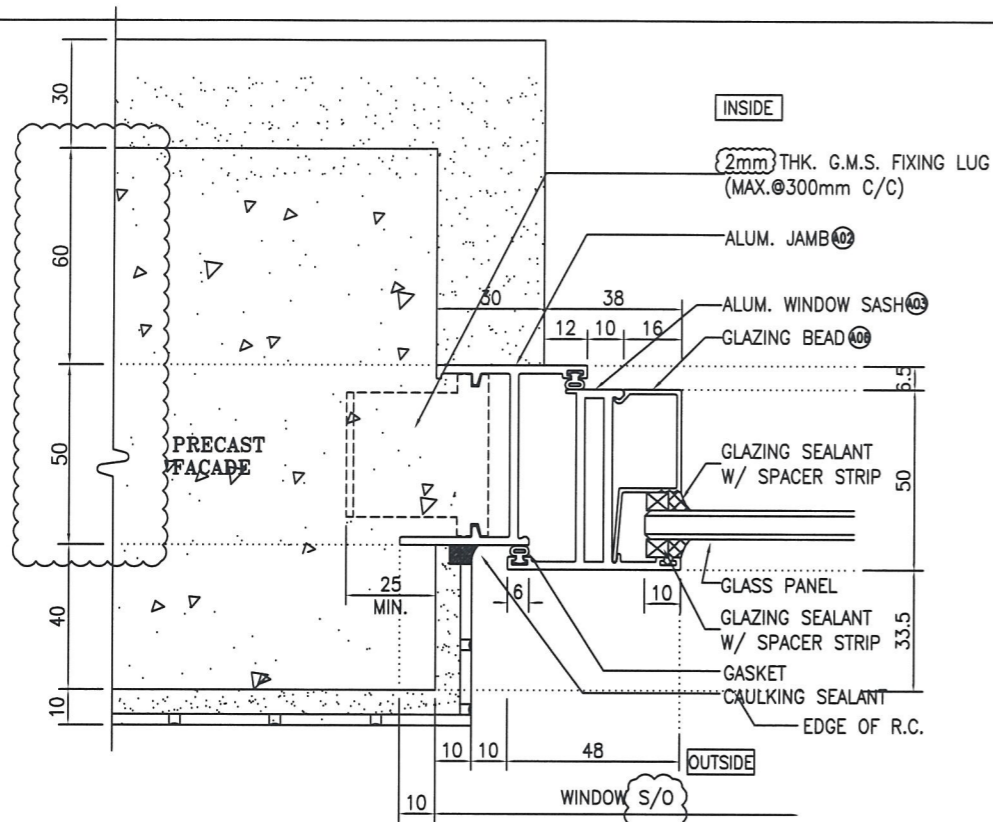
DWG NO. : J837-PW-2315 REV. : -



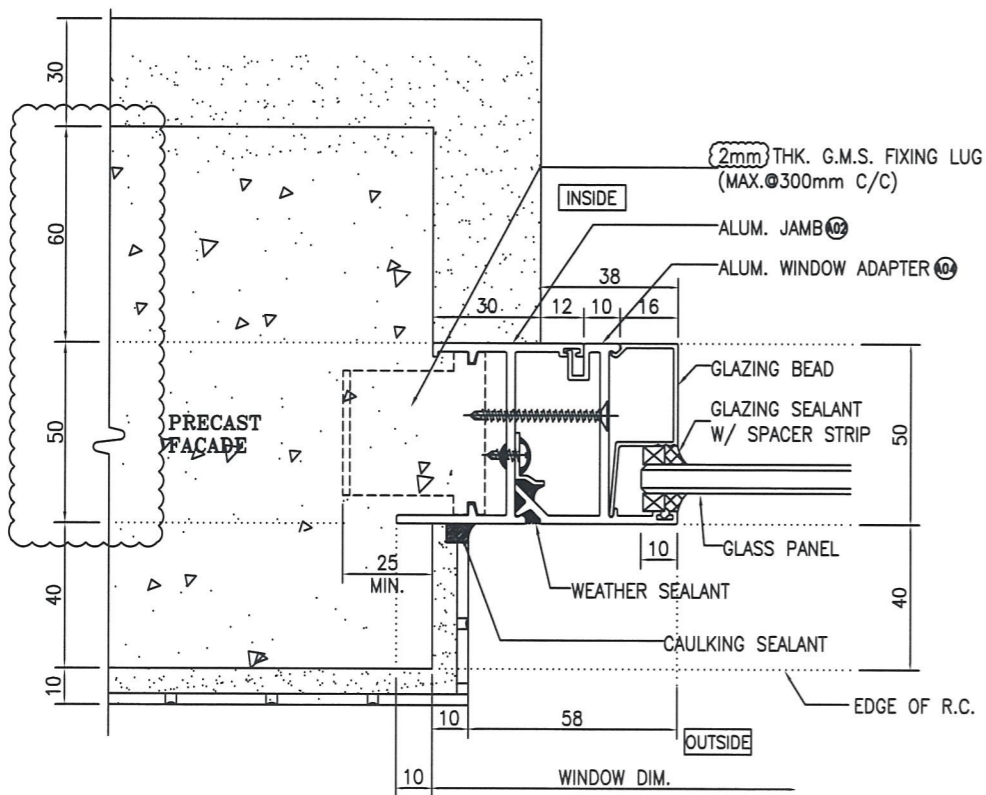
GLAZING AREA	Required =0.616
	Provided =1.33
OPENABLE AREA	Required =0.385
	Provided =1.25

WINDOW MARK
 SECTION :
 QTY.
 LOCATION :
 GLAZING
 REMARK :

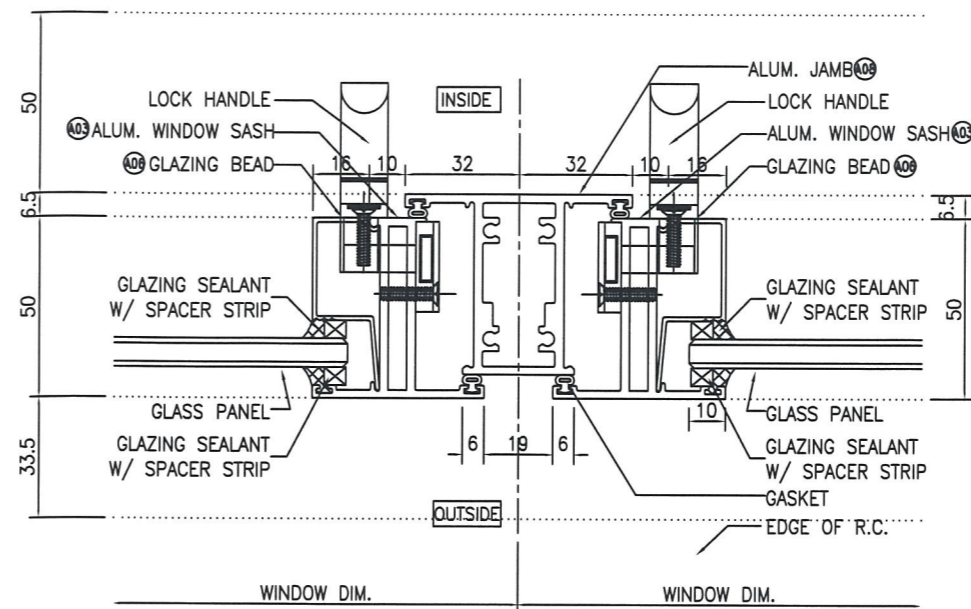
 T3W
 52H-BR2
 50mm ALUM. SECTION
 1 NOS.
 T3 52F UNIT H BR2
 8mm THK. CLEAR TEMPERED GLASS



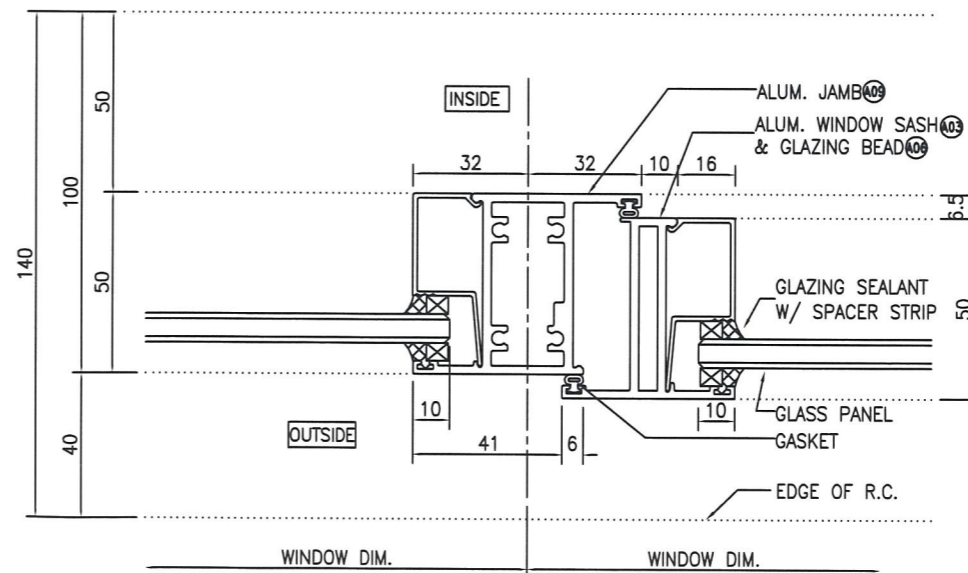
1 HORIZONTAL DETAIL
5001 Openable Window



2 HORIZONTAL DETAIL
5001 Fixed Window



3 HORIZONTAL DETAIL
5001 Mullion Of Fixed Window
And Openable Window



4 HORIZONTAL DETAIL
5001 Mullion Of Fixed Window
And Openable Window

B.D. REF :
CLIENT : 信和置業有限公司 Sino Land Company Limited
ARCHITECT : WONG TUNG & PARTNERS LIMITED ARCHITECTS & PLANNERS WT
MAIN CONTRACTOR : CR Construction Company Limited
STRUCTURAL ENGINEER : AECOM
FACADE CONSULTANT :

NOTE :
1. ALL DIMENSIONS ARE IN mm.
2. ALL ELEVATIONS ARE VIEWED FROM OUTSIDE.
3. ALL DIMENSIONS TO BE VERIFIED ON SITE BEFORE FABRICATION.

LEGEND :
X1 — DETAIL MARK NO.
5001 — REFER SHEET NO.

1. F.F.L. — FINISHED FLOOR LEVEL
2. S.F.L. — STRUCTURAL FLOOR LEVEL
3. (R) — REVERSED DETAIL

C	2018/10/20	BY ARCHITECT COMMENT	Zeng
B	2018/08/21	BY ARCHITECT COMMENT	Zeng
A	2018/07/19	BY ARCHITECT COMMENT	Zeng
NO.	DATE	REVISED	BY

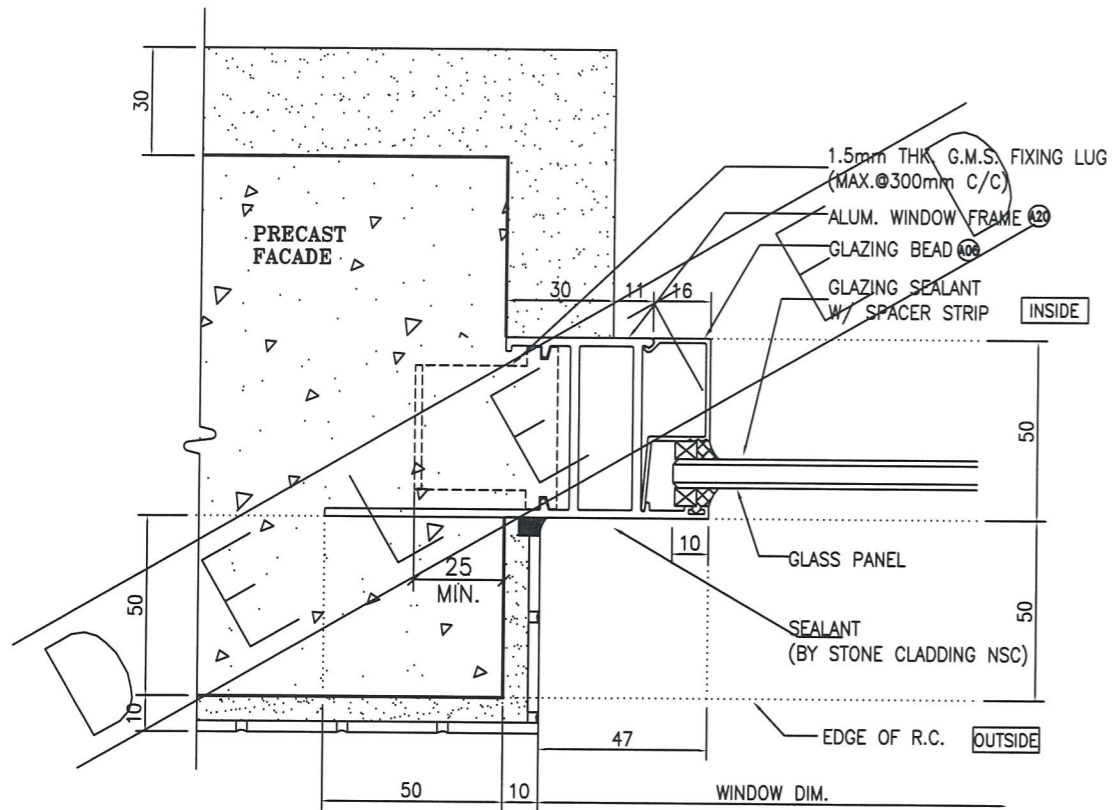
JOB NO. : J-837
PROJECT :
URA KWUN TONG TOWN CENTRE
REDEVELOPMENT (AREA 2 & 3) AT
NKIL 6514, KWUN TONG, KOWLOON

TITLE :
TYPICAL DETAIL FOR
ALUM. WINDOW

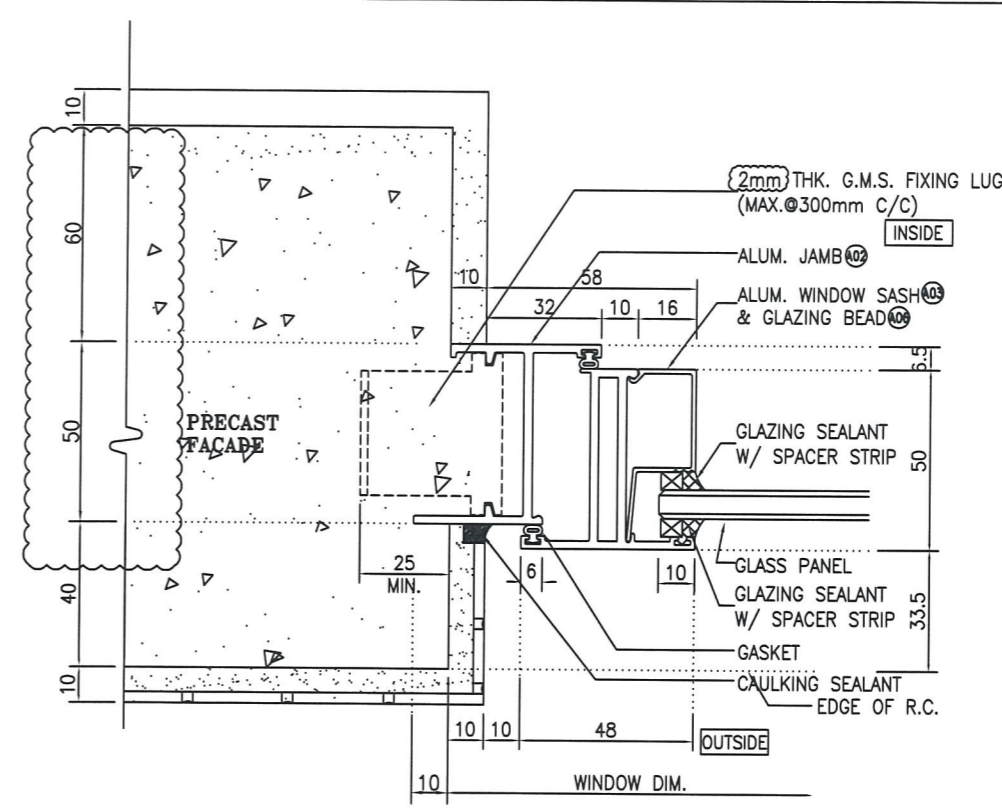
DATE : 04-JUL-18 SCALE : 1:2
DRAWN BY : Zeng CHECKED BY : DW

美特鋁質有限公司
MIDI ALUMINIUM FABRICATOR LTD.
Units 6-8, Sunray Industrial Centre, 1/F
610 Cha Kwo Ling Road, Kowloon
Tel: 23489211-4 Fax: (852) 2727666

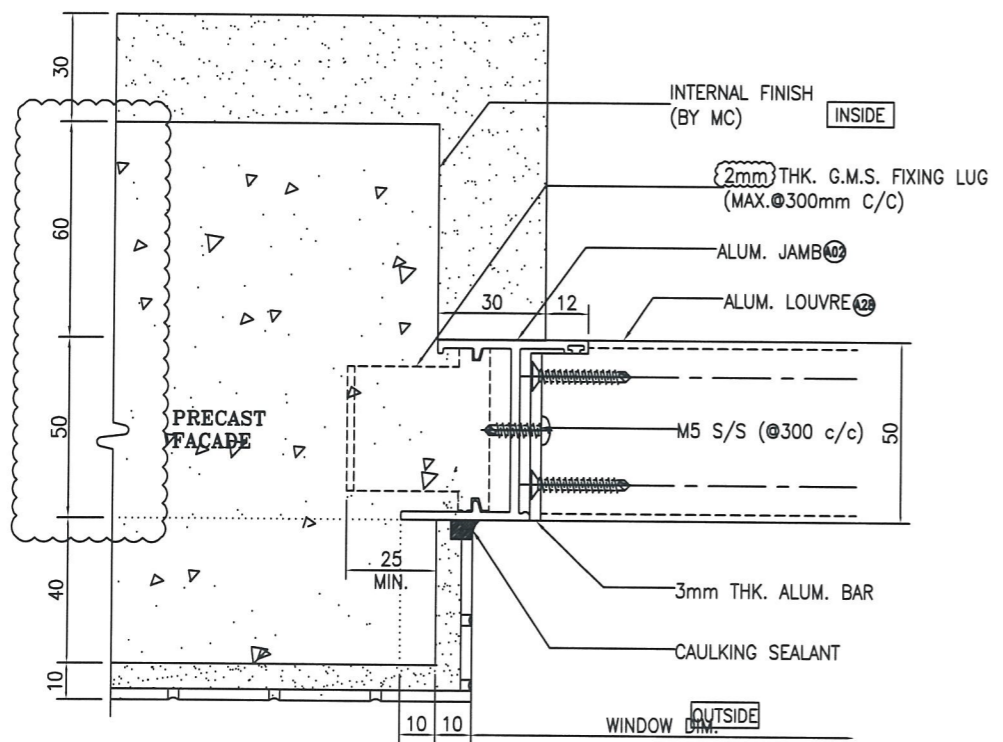
DWG NO. : J837-PW-5001 REV. : C



1 HORIZONTAL DETAIL
 5002 Fixed Window



3 HORIZONTAL DETAIL
 5002 Operable Window



2 HORIZONTAL DETAIL
 5002 Louvre Jamb Detail

B.D. REF :

CLIENT :
 信和置業有限公司
 Sino Land Company Limited

ARCHITECT :
 WONG TUNG & PARTNERS LIMITED
 ARCHITECTS & PLANNERS

MAIN CONTRACTOR :
 CR Construction Company Limited

STRUCTURAL ENGINEER :
 AECOM

FACADE CONSULTANT:

NOTE :
 1. ALL DIMENSIONS ARE IN mm.
 2. ALL ELEVATIONS ARE VIEWED FROM OUTSIDE.
 3. ALL DIMENSIONS TO BE VERIFIED ON SITE BEFORE FABRICATION.

LEGEND :
 X1 --- DETAIL MARK NO.
 X001 --- REFER SHEET NO.
 1. F.F.L. --- FINISHED FLOOR LEVEL
 2. S.F.L. --- STRUCTURAL FLOOR LEVEL
 3. /R --- REVERSED DETAIL

C	2018/10/20	BY ARCHITECT COMMENT	Zeng
B	2018/08/21	BY ARCHITECT COMMENT	Zeng
A	2018/07/19	BY ARCHITECT COMMENT	Zeng
NO.	DATE	REVISED	BY

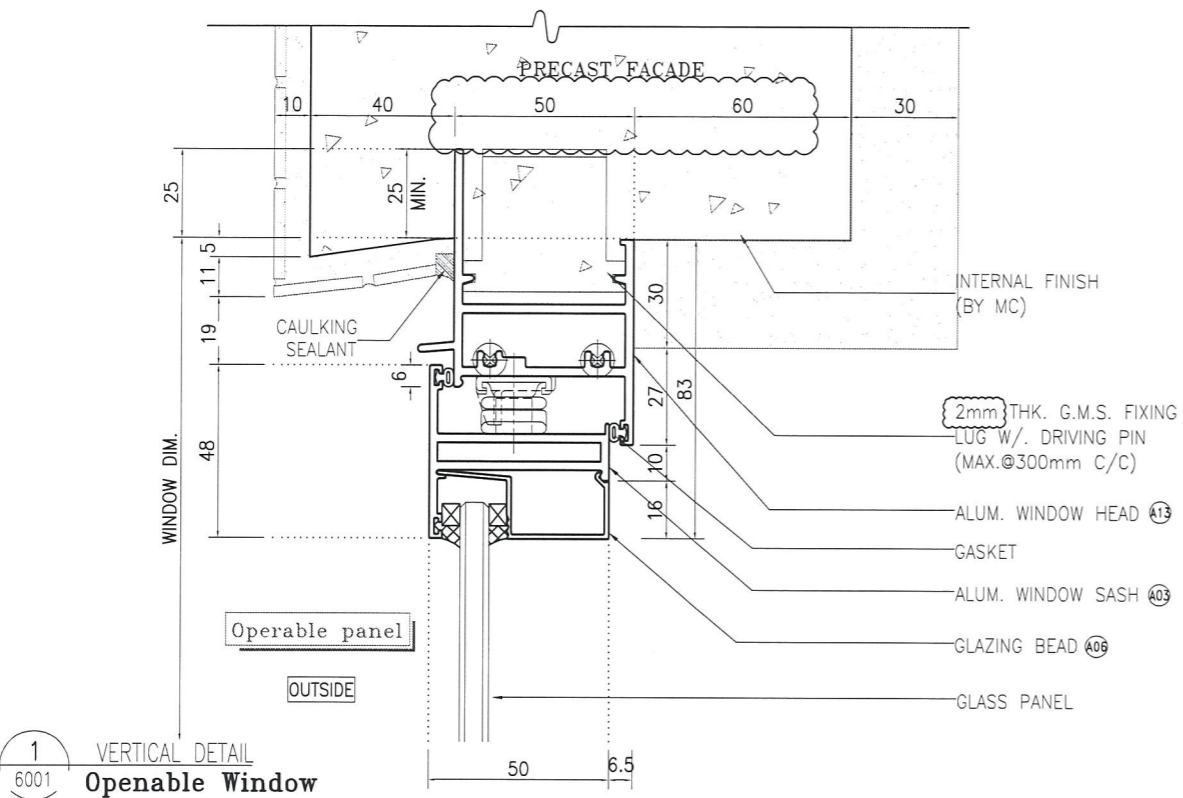
JOB NO. : J-837
 PROJECT :
 URA KWUN TONG TOWN CENTRE
 REDEVELOPMENT (AREA 2 & 3) AT
 NKIL 6514, KWUN TONG, KOWLOON

TITLE :
 TYPICAL DETAIL FOR
 ALUM. WINDOW

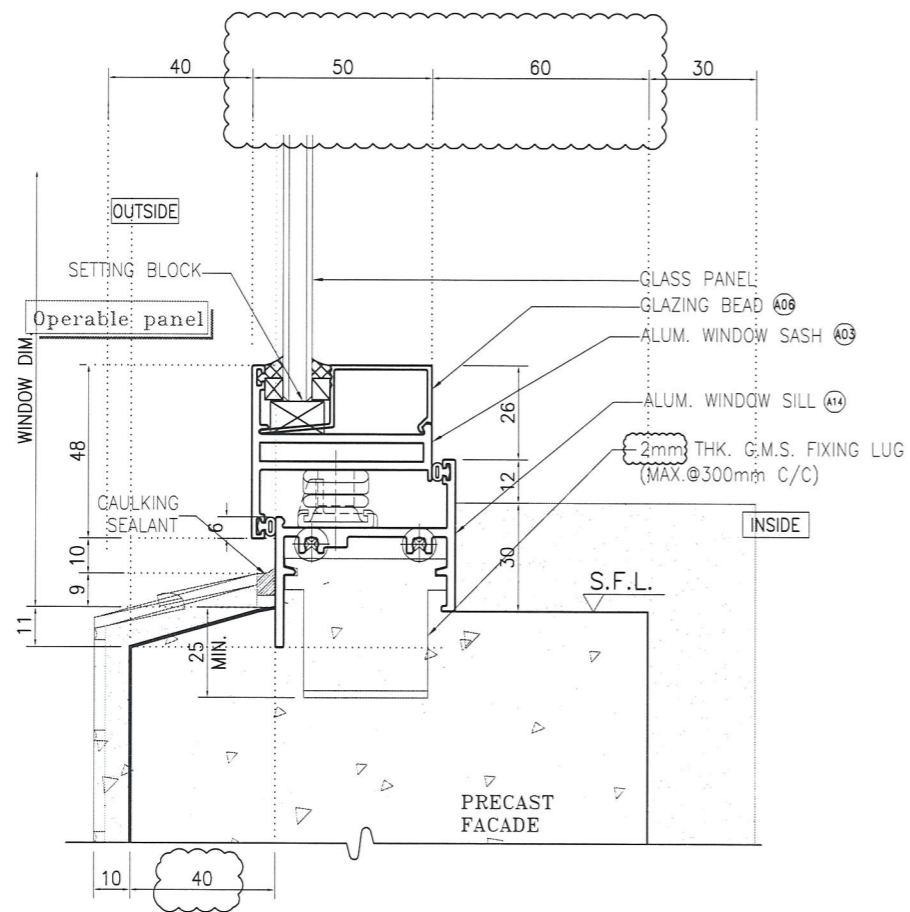
DATE : 04-JUL-18 SCALE : 1:2
 DRAWN BY : Zeng CHECKED BY : DW

美特鋁質有限公司
 MIDI ALUMINIUM FABRICATOR LTD.
 Units 6-8, Sunray Industrial Centre, 1/F
 610 Cha Kwo Ling Road, Kowloon
 Tel: 23489211-4 Fax: (852) 27727666

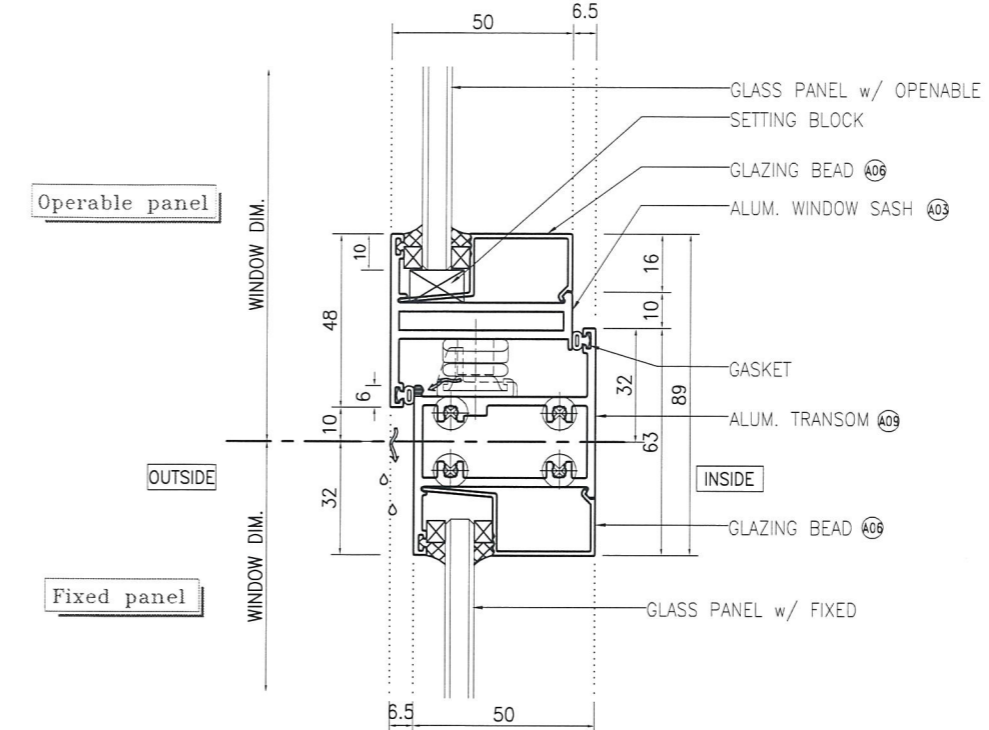
DWG NO. : J837-PW-5002 REV. : C



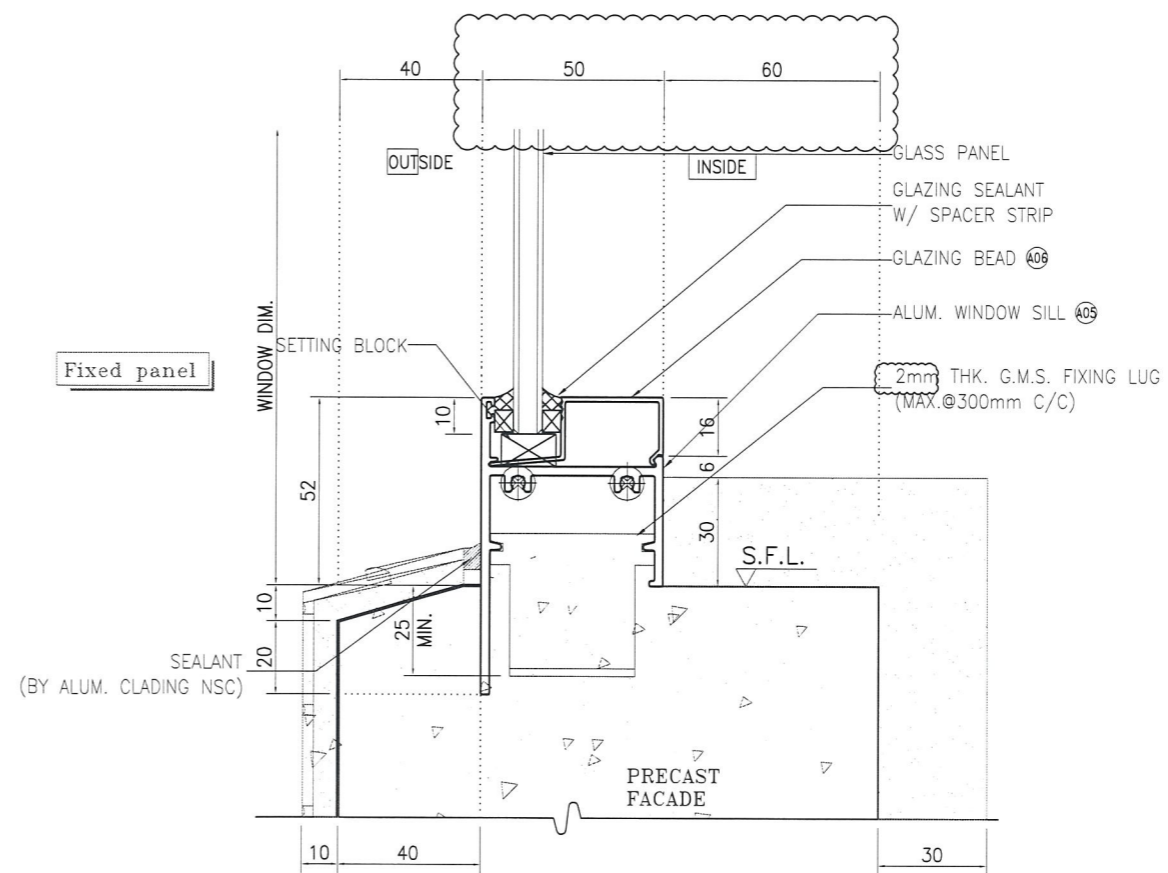
1 VERTICAL DETAIL
6001 Operable Window



2 VERTICAL DETAIL
6001 Operable Window



3 VERTICAL DETAIL
6001 Mullion Of Fixed Window
And Operable Window



4 VERTICAL DETAIL
6001 Fixed Window

B.D. REF :

CLIENT :
信和置業有限公司
Sino Land Company Limited

ARCHITECT :
WONG TUNG & PARTNERS LIMITED
ARCHITECTS & PLANNERS

MAIN CONTRACTOR :
CR Construction Company Limited

STRUCTURAL ENGINEER :
AECOM

FAÇADE CONSULTANT:

NOTE :
1. ALL DIMENSIONS ARE IN mm.
2. ALL ELEVATIONS ARE VIEWED FROM OUTSIDE.
3. ALL DIMENSIONS TO BE VERIFIED ON SITE BEFORE FABRICATION.

LEGEND :
X1 — DETAIL MARK NO.
x001 — REFER SHEET NO.
1. F.F.L. — FINISHED FLOOR LEVEL
2. S.F.L. — STRUCTURAL FLOOR LEVEL
3. (R) — REVERSED DETAIL

C	2018/10/20	BY ARCHITECT COMMENT	Zeng
B	2018/08/21	BY ARCHITECT COMMENT	Zeng
A	2018/07/19	BY ARCHITECT COMMENT	Zeng
NO.	DATE	REVISED	BY

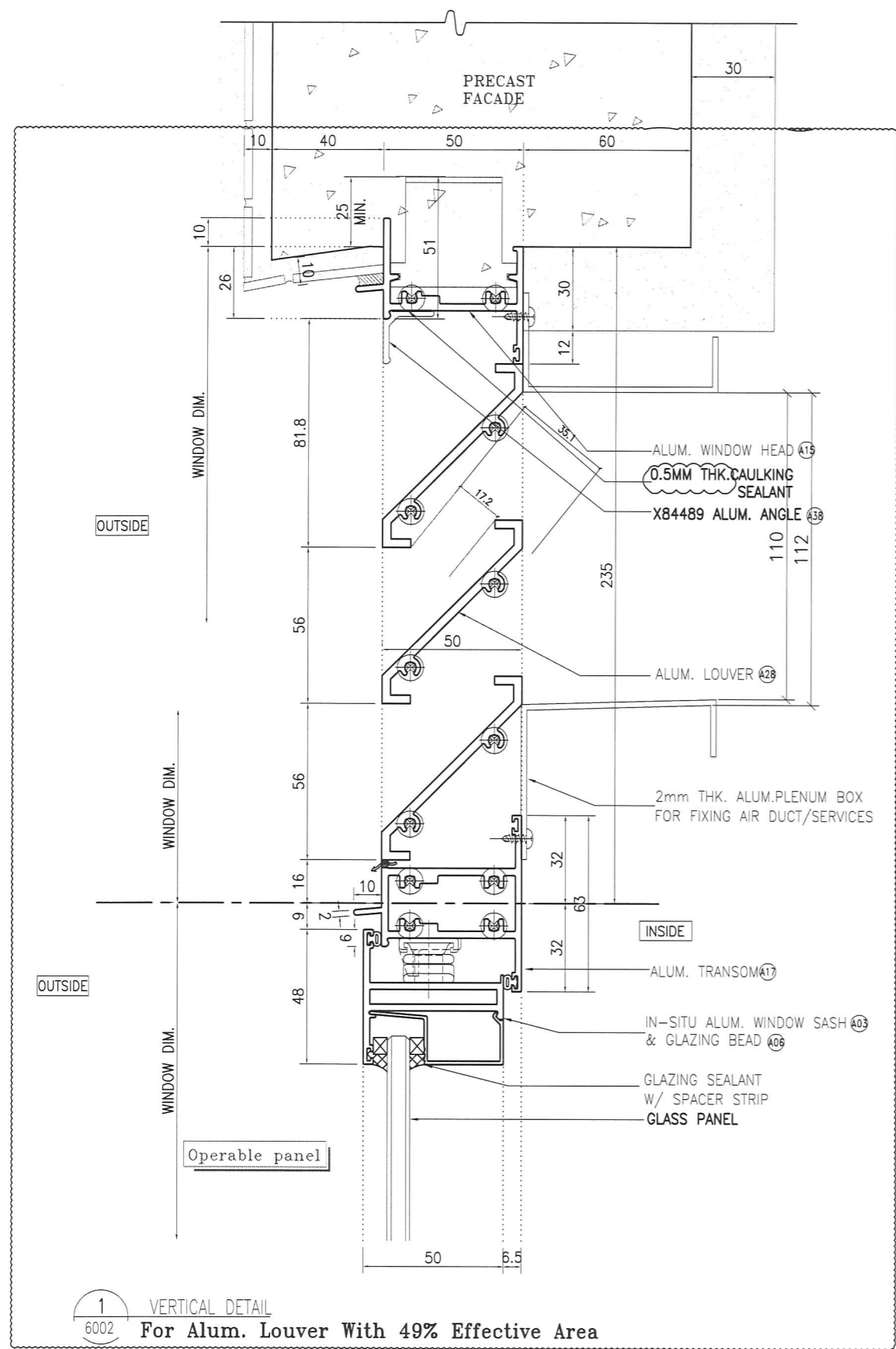
JOB NO. : J-837
PROJECT :
URA KWUN TONG TOWN CENTRE
REDEVELOPMENT (AREA 2 & 3) AT
NKIL 6514, KWUN TONG, KOWLOON

TITLE :
TYPICAL DETAIL FOR
ALUM. WINDOW

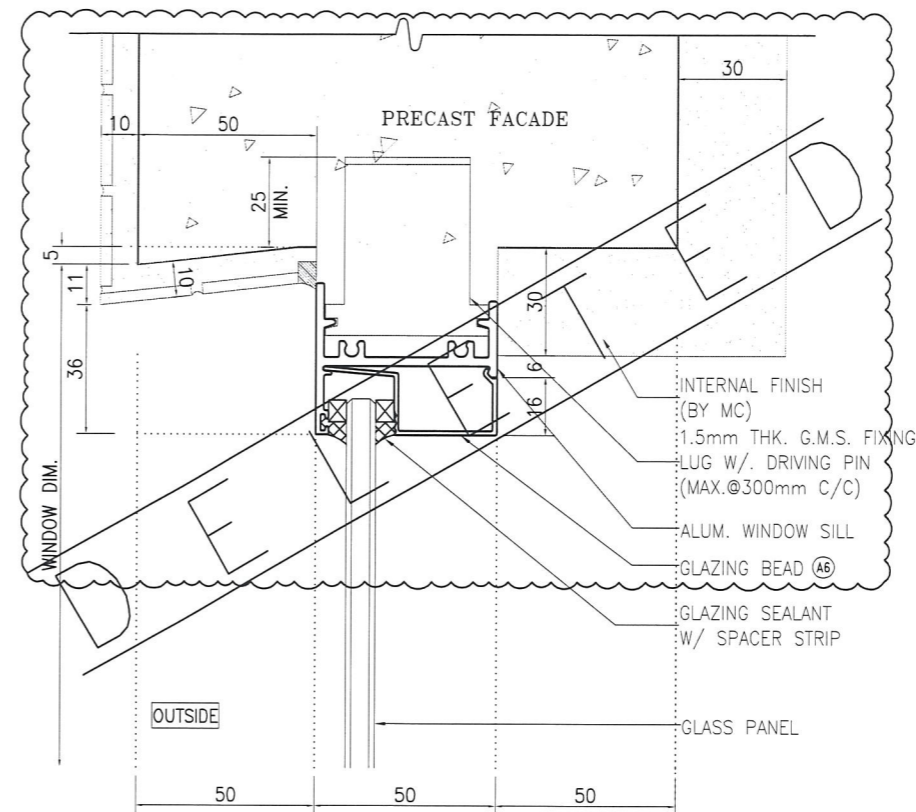
DATE : 04-JUL-18 SCALE : 1:#
DRAWN BY : Zeng CHECKED BY : DW

英特鋁質有限公司
MIDI ALUMINIUM FABRICATOR LTD.
Units 6-8, Sunray Industrial Centre, 1/F
610 Cha Kwo Ling Road, Kowloon
Tel:23489211-4 Fax:(852)27727666

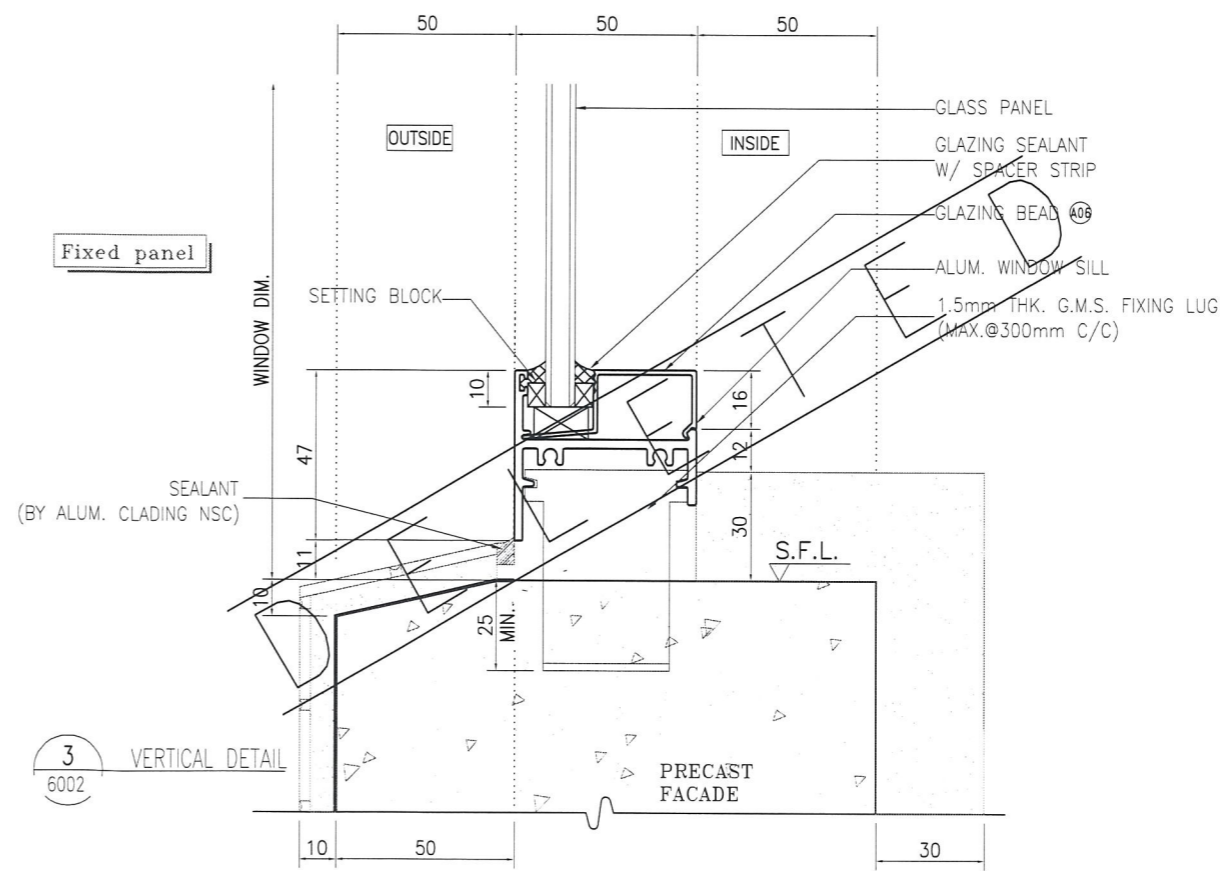
DWG NO. : J837-PW-6001 REV. : C



1 VERTICAL DETAIL
6002 For Alum. Louver With 49% Effective Area



2 VERTICAL DETAIL
6002



3 VERTICAL DETAIL
6002

B.D. REF :

CLIENT :
信和置業有限公司
Sino Land Company Limited

ARCHITECT :
WONG TUNG & PARTNERS LIMITED
ARCHITECTS & PLANNERS

MAIN CONTRACTOR :
CR Construction Company Limited

STRUCTURAL ENGINEER :
AECOM

FAÇADE CONSULTANT :

NOTE :
1. ALL DIMENSIONS ARE IN mm.
2. ALL ELEVATIONS ARE VIEWED FROM OUTSIDE.
3. ALL DIMENSIONS TO BE VERIFIED ON SITE BEFORE FABRICATION.

LEGEND :
X1 --- DETAIL MARK NO.
X001 --- REFER SHEET NO.
1. F.F.L. --- FINISHED FLOOR LEVEL
2. S.F.L. --- STRUCTURAL FLOOR LEVEL
3. (R) --- REVERSED DETAIL

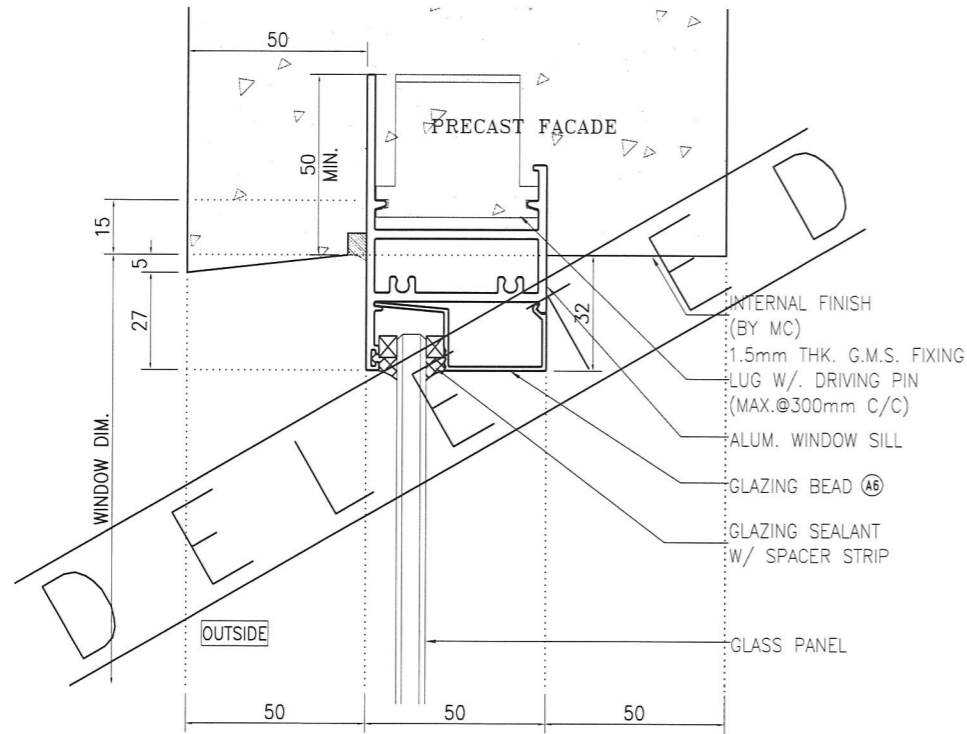
B	2018/09/29	BY ARCHITECT COMMENT	Zeng
A	2018/07/19	BY ARCHITECT COMMENT	Zeng
NO.	DATE	REVISD	BY

JOB NO. : J-837
PROJECT :
URA KWUN TONG TOWN CENTRE
REDEVELOPMENT (AREA 2 & 3) AT
NKIL 6514, KWUN TONG, KOWLOON

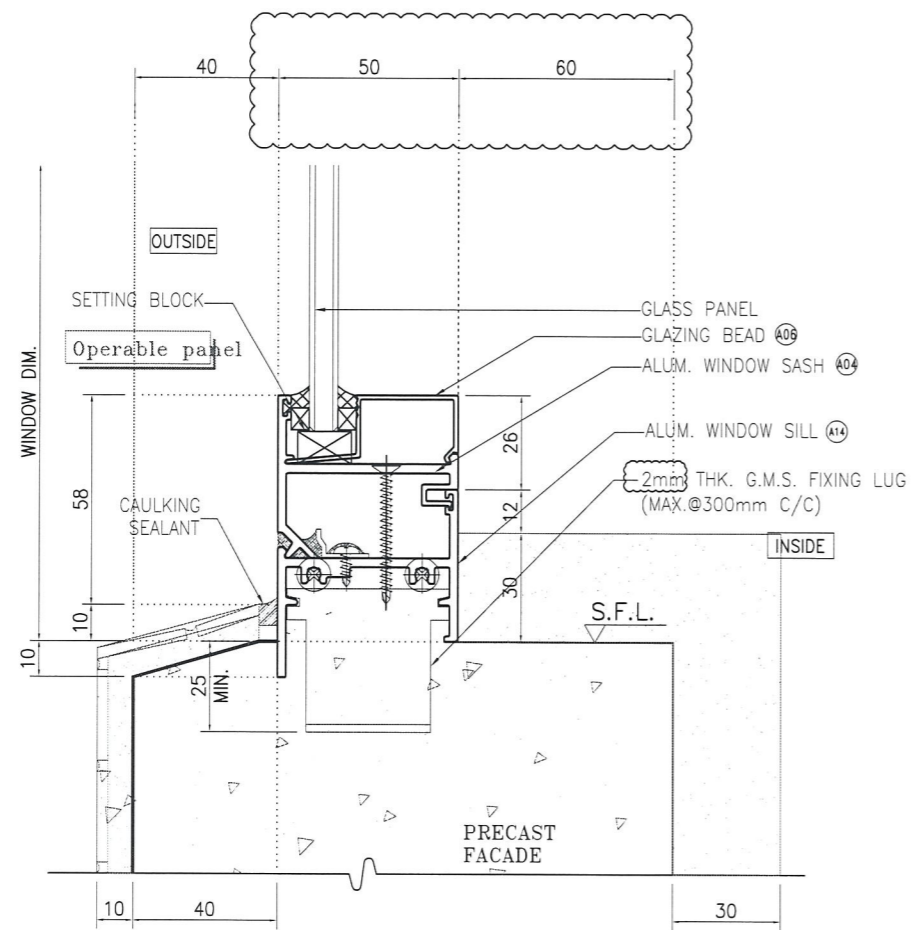
TITLE :
TYPICAL DETAIL FOR
ALUM. WINDOW

DATE : 04-JUL-18 SCALE : 1:#
DRAWN BY : Zeng CHECKED BY : DW

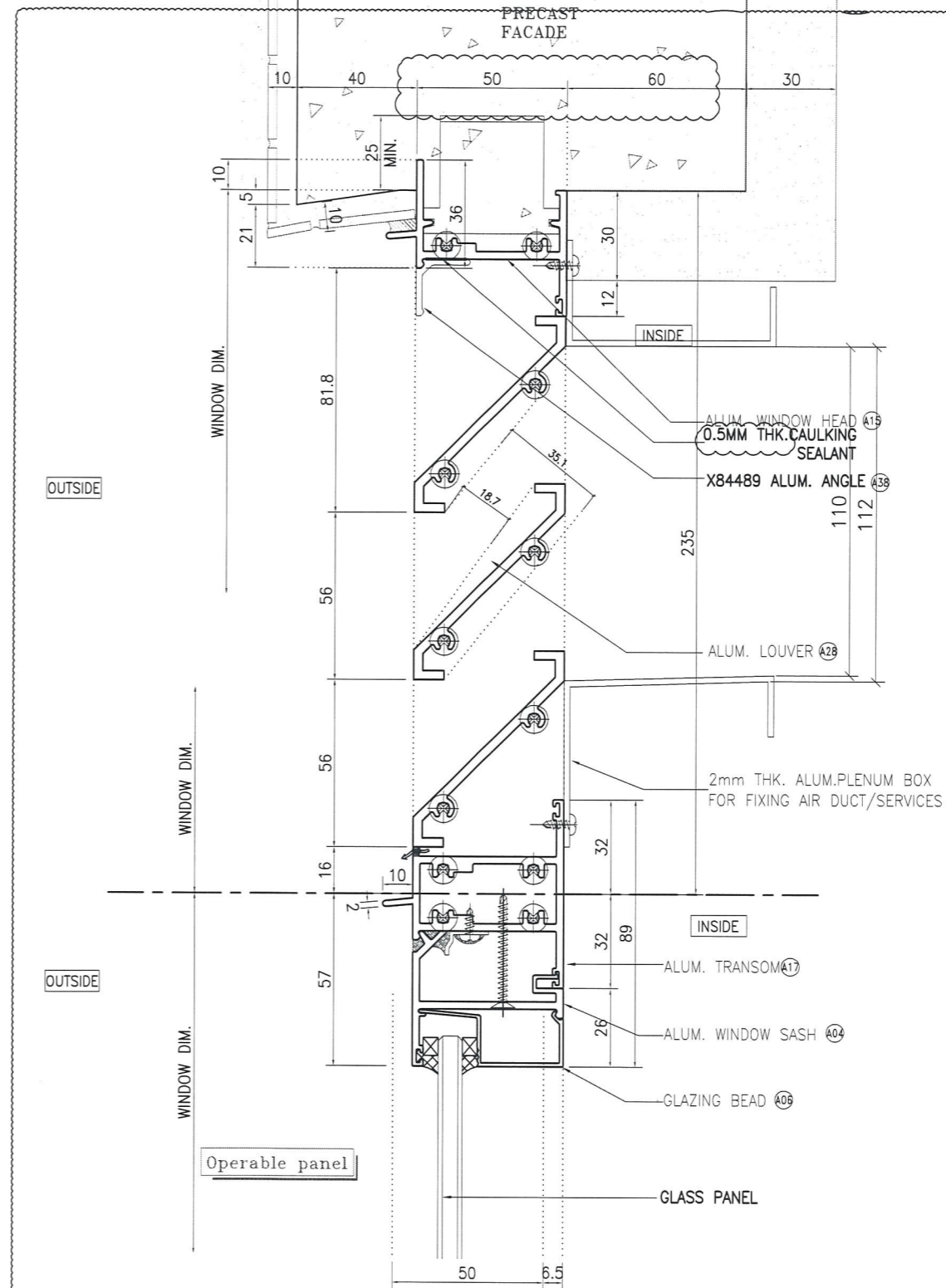
英特鋁質有限公司
MIDI ALUMINIUM FABRICATOR LTD.
Units 6-8, Sunray Industrial Centre, 1/F
610 Cha Kwo Ling Road, Kowloon
Tel:23489211-4 Fax:(852)2727666
DWG NO. : J837-PW-6002 REV. : B



1 VERTICAL DETAIL
6003



2 VERTICAL DETAIL
6003



3 VERTICAL DETAIL
6003 For Alum. Louver With 53% Effective Area

B.D. REF :

CLIENT :
 信和置業有限公司
 Sino Land Company Limited

ARCHITECT :
 WONG TUNG & PARTNERS LIMITED
 ARCHITECTS & PLANNERS

MAIN CONTRACTOR :
 CR Construction Company Limited

STRUCTURAL ENGINEER :
 AECOM

FACADE CONSULTANT :

NOTE :
 1. ALL DIMENSIONS ARE IN mm.
 2. ALL ELEVATIONS ARE VIEWED FROM OUTSIDE.
 3. ALL DIMENSIONS TO BE VERIFIED ON SITE BEFORE FABRICATION.

LEGEND :
 (X1) --- DETAIL MARK NO.
 (X001) --- REFER SHEET NO.
 1. F.F.L. --- FINISHED FLOOR LEVEL
 2. S.F.L. --- STRUCTURAL FLOOR LEVEL
 3. (R) --- REVERSED DETAIL

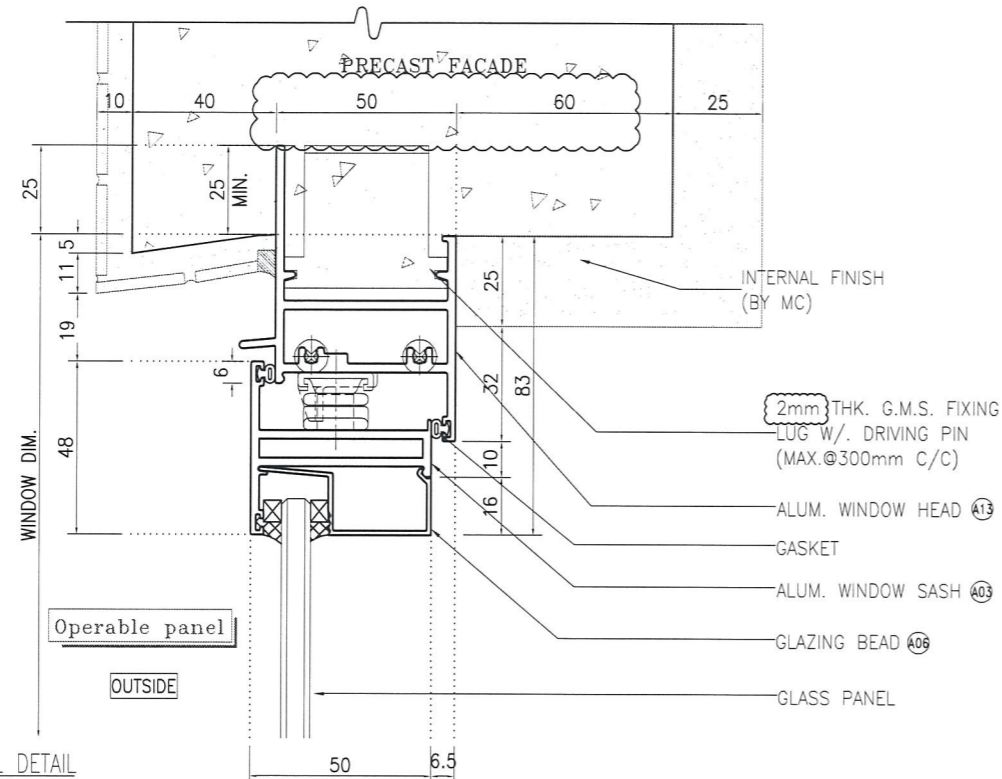
C	2018/10/20	BY ARCHITECT COMMENT	Zeng
B	2018/09/29	BY ARCHITECT COMMENT	Zeng
A	2018/07/19	BY ARCHITECT COMMENT	Zeng
NO.	DATE	REVISED	BY

JOB NO. : J-837
 PROJECT :
 URA KWUN TONG TOWN CENTRE
 REDEVELOPMENT (AREA 2 & 3) AT
 NKIL 6514, KWUN TONG, KOWLOON

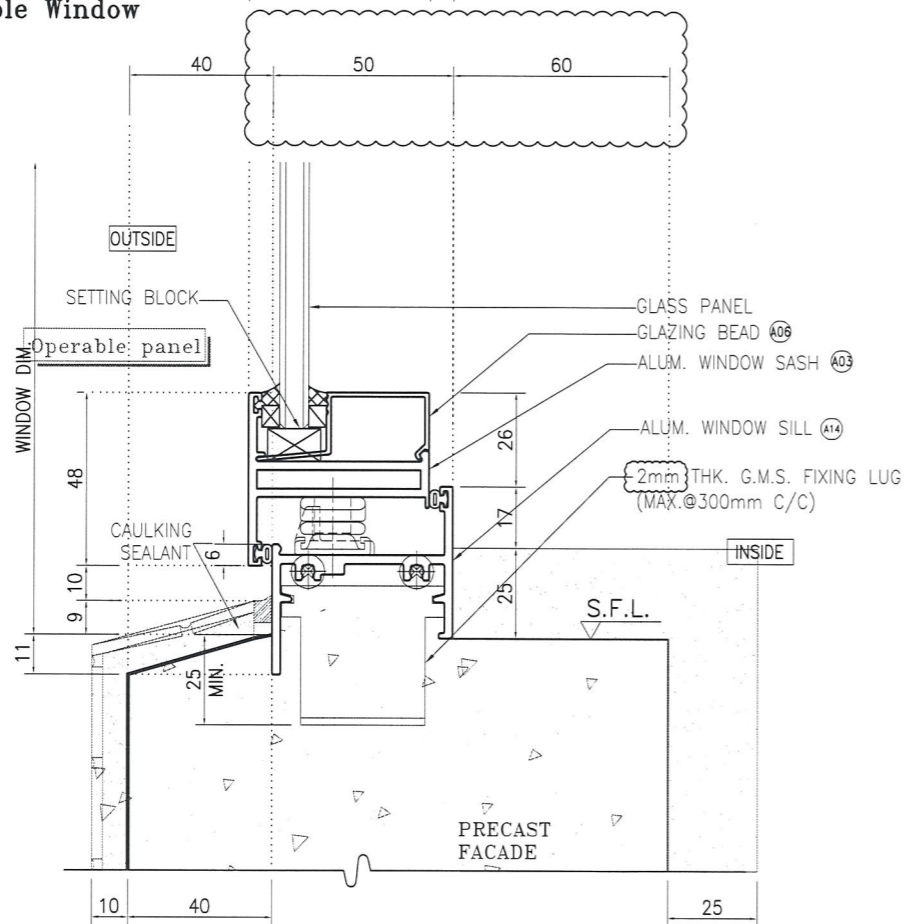
TITLE :
 TYPICAL DETAIL FOR
 ALUM. WINDOW

DATE : 04-JUL-18 SCALE : 1:#
 DRAWN BY : Zeng CHECKED BY : DW

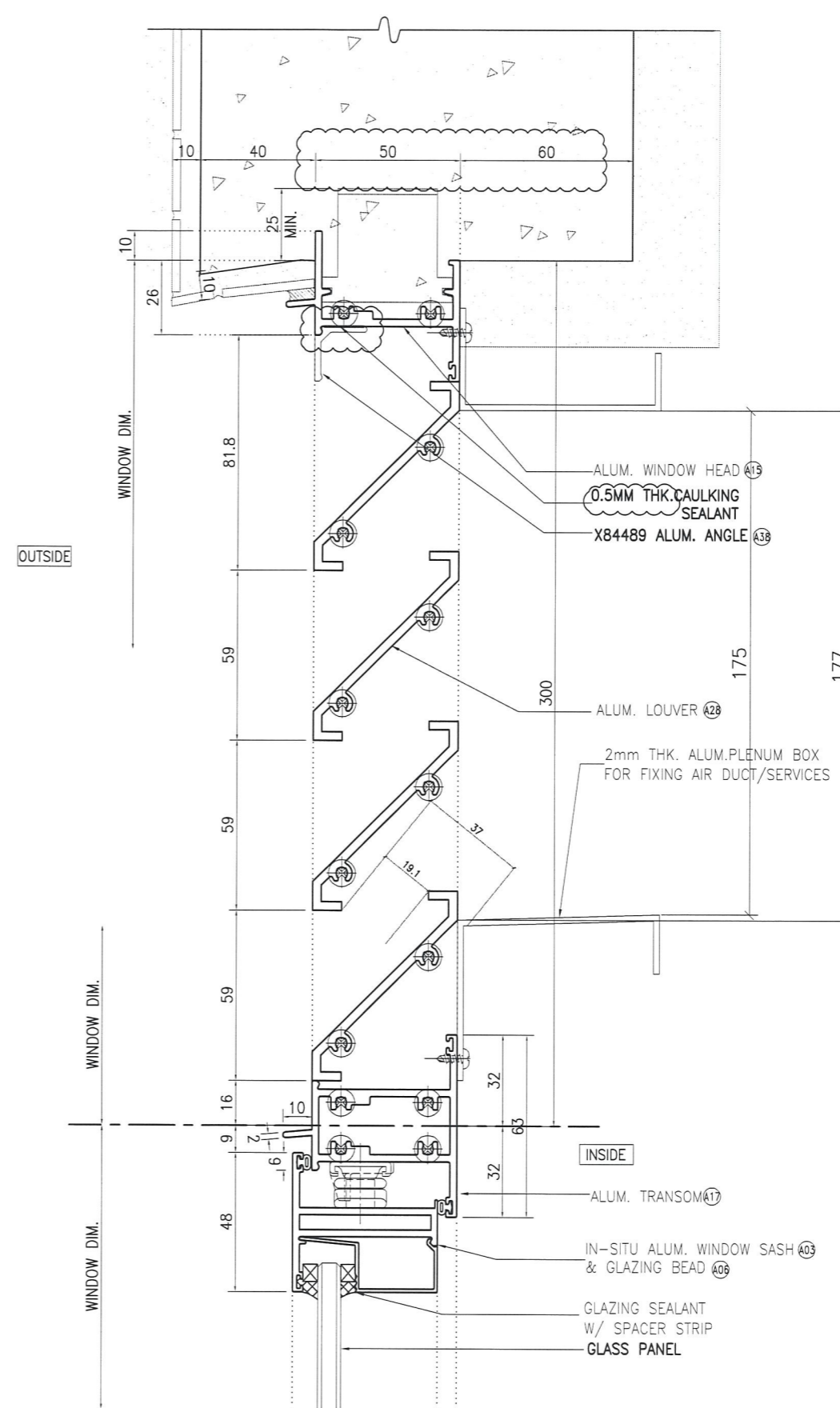
英特鋁質有限公司
 MIDI ALUMINIUM FABRICATOR LTD.
 Units 6-8, Sunray Industrial Centre, 1/F
 610 Cha Kwo Ling Road, Kowloon
 Tel:23489211-4 Fax:(852)27727666
 DWG NO. : J837-PW-6003 REV. : C



1 VERTICAL DETAIL
6004 Operable Window



2 VERTICAL DETAIL
6004 Operable Window



3 VERTICAL DETAIL
6003 For Alum. Louver With 51.6% Effective Area

B.D. REF :

CLIENT :
信和置業有限公司
Sino Land Company Limited

ARCHITECT :
WONG TUNG & PARTNERS LIMITED
ARCHITECTS & PLANNERS
WT

MAIN CONTRACTOR :
CR Construction Company Limited

STRUCTURAL ENGINEER :
AECOM

FACADE CONSULTANT :

NOTE :
1. ALL DIMENSIONS ARE IN mm.
2. ALL ELEVATIONS ARE VIEWED FROM OUTSIDE.
3. ALL DIMENSIONS TO BE VERIFIED ON SITE BEFORE FABRICATION.

LEGEND :
X1 --- DETAIL MARK NO.
X001 --- REFER SHEET NO.
1. F.F.L. --- FINISHED FLOOR LEVEL
2. S.F.L. --- STRUCTURAL FLOOR LEVEL
3. (R) --- REVERSED DETAIL

B	2018/10/20	BY ARCHITECT COMMENT	Zeng
A	2018/09/29	BY ARCHITECT COMMENT	Zeng
NO.	DATE	REVISED	BY

JOB NO. : J-837
PROJECT :
URA KWUN TONG TOWN CENTRE
REDEVELOPMENT (AREA 2 & 3) AT
NKIL 6514, KWUN TONG, KOWLOON

TITLE :
TYPICAL DETAIL FOR
ALUM. WINDOW

DATE : 04-JUL-18 SCALE : 1:#
DRAWN BY : Zeng CHECKED BY : DW

英特鋁質有限公司
MIDI ALUMINIUM FABRICATOR LTD.
Units 6-8, Sunray Industrial Centre, 1/F
610 Cha Kwo Ling Road, Kowloon
Tel:23489211-4 Fax:(852)2727666

DWG NO. : J837-PW-6004 REV. : B