



工程指示 / 要求簡箋(E.I.)

工程指示編號：EI/1673 / 20

修改版次：-

工程編號：J - 837

工程名稱：觀塘裕民坊

工程項目：Glass Cladding 後加玻璃面飾線(T1-T5)(大貨)

收件人：生統 / 永林

發件人：Eric Liu

日期：08/04/2020

要求提供 / 確認 事項：

- | | | |
|------------------------------------|-------------------------------------|-------------------------------|
| <input type="checkbox"/> 初步鋁料 B.M. | <input type="checkbox"/> 加工拆圖，然後生產 | <input type="checkbox"/> 尺寸表 |
| <input type="checkbox"/> 正式鋁料 B.M. | <input type="checkbox"/> 技術上資料 / 指示 | <input type="checkbox"/> 報價 |
| <input type="checkbox"/> 配件 B.M. | <input type="checkbox"/> 樣辦或貨品說明書 | <input type="checkbox"/> 分判合約 |
| <input type="checkbox"/> 其他：_____ | | |

內容：

請按加工圖生產飾線送地盤安裝

Glass cladding 後加玻璃面飾線

優先生產一層數量送地盤安裝

謝謝！

地盤：請留意安裝此飾線要有D切縫

請在 2020 / 04 / 14 前完成上列要求。

附： 1 頁圖登，8 頁加工圖，7 頁位置圖

以上項目為：

- 原合約工程包 原合約工程加 / 減賬 新工程報價

原因：-

分發東莞各部門：

- () 生產技術總監 連附件 () 技術部 連附件 永林 () 生產部 連附件 () 機械設計部 連附件
 () 採購部 連附件 () 生產統籌部 連附件 梅
 () 質檢部 連附件 () 會計部 連附件 () 報關組 連附件 () 其他 楊榮輝 連附件

分發香港各部門：

- () 行政部 連附件 () 會計部 連附件 () 統籌部 連附件 () 工程部地盤科文 連附件 烟哥
 () 採購部 連附件 () QS 部 連附件 () 維修部 連附件 () 其他 _____ 連附件

傳遞編號：

HK 0546 / 20

發件人簽署：

項目經理簽署：

HK0385

到永林

TE INTERFACE

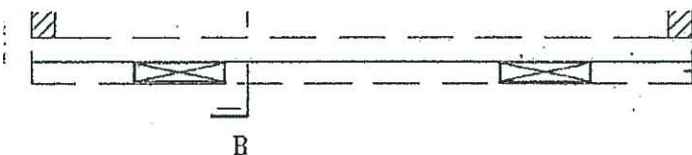
Glass cladding 後加 鋼絲
拆圖 注意事項

J837

2020.3.20

Glass cladding BID approval

現場安裝圖



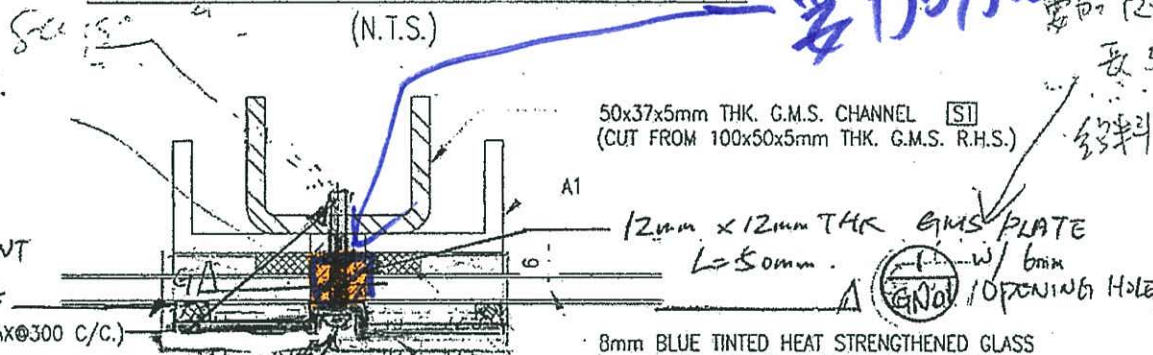
ALUM. CAPPING

"TYPICAL ELEVATION FOR SETTING BLOCK LOCATION"
(N.T.S.)

要加鋼

需加 12x12 鋼 plate
長 50mm, 加鋼

鋼料要開對位



50x37x5mm THK. G.M.S. CHANNEL [S1]
(CUT FROM 100x50x5mm THK. G.M.S. R.H.S.)

12mm x 12mm THK G.M.S. PLATE
L=50mm

6mm
OPENING HOLE

8mm BLUE TINTED HEAT STRENGTHENED GLASS
/ 8 mm THK. TEMPERED BLUE TINTED GLASS

STRUCTURAL SEALANT WITH DOUBLE SIDED ADHESIVE TAPE
- FOR LOAD WIDTH ≤ 940 (SHORT EDGE)
- FOR LOAD WIDTH > 940 < 1370 (SHORT EDGE)

STRUCTURAL SEALANT

6mm THK x 6mm BITE

W/ DOUBLE SIDED TAPE M5 S/S. SCREW (MAX @ 300 C/C.)

[A1] ALUM. GLAZING ANGLE FRAME

WEATHER SEALANT

3mm ALUM. CLADDING

STAGGER

M5 S/S. SCREW

300 C/C

SECTION A-A

(FOR SPANDREL GLASS)

CONCRETE

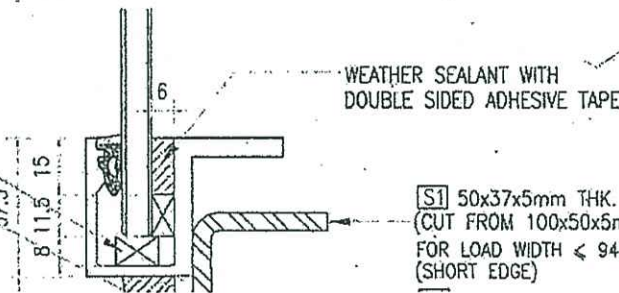
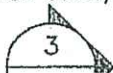
Fast load (1.5 x recommended
service load) (kN)

$$= 1.5 \times 1.183 \times 2.5 = 4.436$$

$$= 1.5 \times 1.183 \times 6.7 = 11.889$$

SETTING BLOCK

M5 S/S. SCREW @ 300c/c



WEATHER SEALANT WITH
DOUBLE SIDED ADHESIVE TAPE

[S1] 50x37x5mm THK. G.M.S. CHANNEL
(CUT FROM 100x50x5mm G.M.S. R.H.S.)
FOR LOAD WIDTH ≤ 940
(SHORT EDGE)



Glass Cladding
 BD approval

1485-2:2008

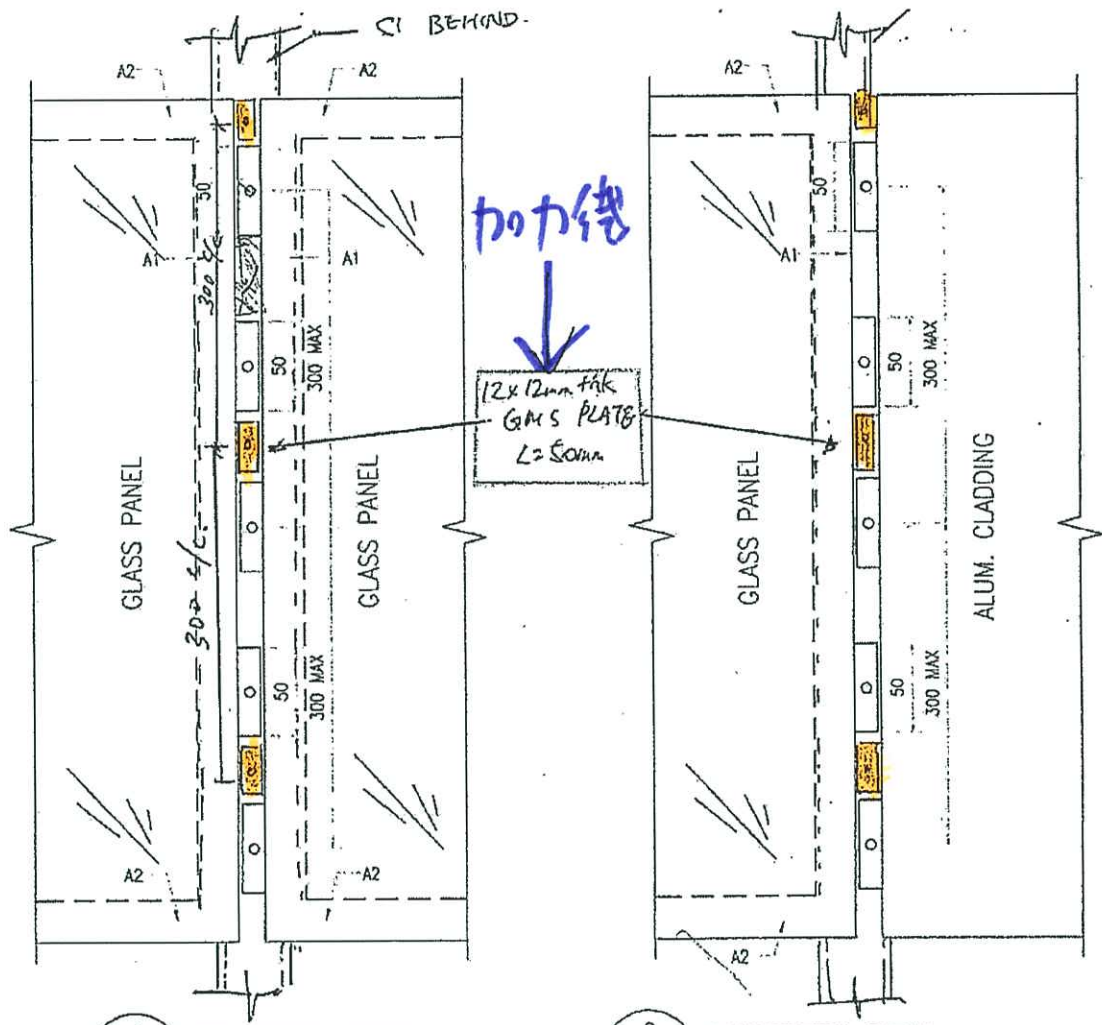
TO BS EN 755-2, 2008

IO. AND CLASS 1 TO C.O.P.

2009.

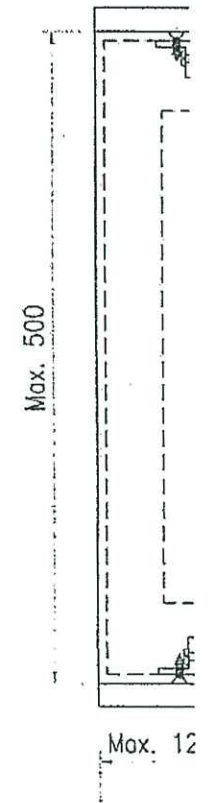
- $T \le 40\text{mm}$ (GRADE S275)
- 205,000 N/mm²
- 77 kN/m³
- 265 N/mm²
- 265 N/mm²
- 265 N/mm²
- 153 N/mm²

11.



1 CONNECTION DETAIL
 (GN01) BTW GLASS PANEL

2 CONNECTION DETAIL
 (GN01) BTW GLASS PANEL AND ALUM. CLADDING



Max. 12

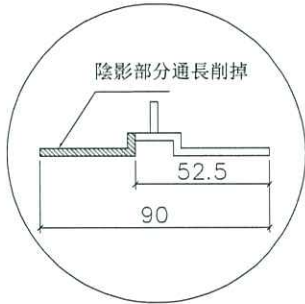
圖則登記表 DRAWING REGISTER										
工程名稱 Project Title: 觀塘裕民坊 Glass Cladding T1-T5後加裝飾條					年 月 日	接收日期 Receiving Date (適用於客戶圖則)				
工程編號 Project No: J-837										
分發予 Distributed To										
					年 月 日	20				
						3				
						30				
圖則編號 Drg. No.	圖則名稱 Drawing Title		修訂編號 Revision No.							
TB-H900	裝飾條加工圖	1	-							
TB-H900-1	裝飾條加工圖 (數據表)	2	-							
TB-L900	裝飾條加工圖	3	-							
TB-L900-1	裝飾條加工圖 (數據表)	4	-							
TB-H2250	裝飾條加工圖	5	-							
TB-H2250-1	裝飾條加工圖 (數據表)	6	-							
TB-L2250	裝飾條加工圖	7	-							
TB-L2250-1	裝飾條加工圖 (數據表)	8	-							
J837-GC-2101	位置圖	9	-							
J837-GC-2102	位置圖	10	-							
J837-GC-2201	位置圖	11	-							
J837-GC-2202	位置圖	12	-							
J837-GC-2301	位置圖	13	-							
J837-GC-2501	位置圖	14	-							
J837-GC-2502	位置圖	15	-							



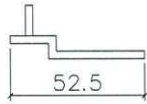
美特鋁質有限公司
MIDI Aluminium Fabricator Ltd.

工程號 J-837 | 地盤 觀塘裕民坊

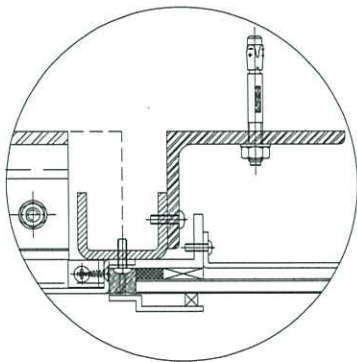
數據表參見: TB-H900-1



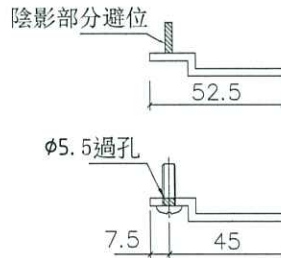
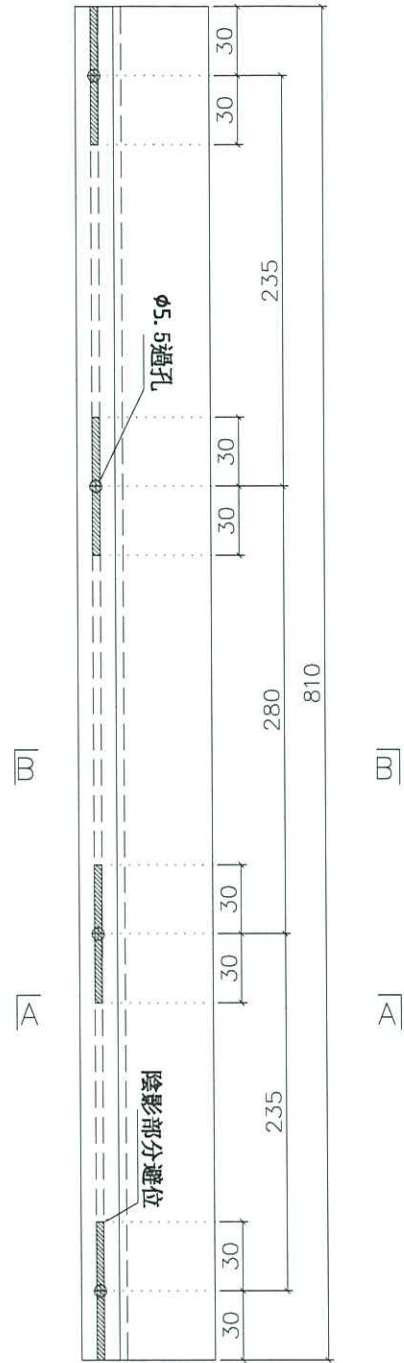
削料示意圖



剖圖 B-B



安裝示意



剖圖 A-A

名稱	小單元玻璃企外裝飾蓋	制圖	柯慶余	2020.3.25	修改		
材料	X85676	復核	謝永林	2020.3.25	日期		
顏色	EC-DG-S332054 (3塗)	批准	Jason		圖號	TB-H900	



工程號 J-837 | 地盤 觀塘裕民坊

拆圖參見: TB-H900

物料編號	總數量	總樓層	每層 (支)	樓層	28/F特 別位數量	位置	分格
TB-H900	174	43	4	7~27F,29~50F	2	T1CW-H-1	900
TB-H900	174	43	4	7~27F,29~50F	2	T1CW-G-2	900
TB-H900	351	43	8	7~27F,29~50F	7	T1CW-E-2	900
TB-H900	175	43	4	7~27F,29~50F	3	T1CW-A-1	900
TB-H900	174	43	4	7~27F,29~50F	2	T1CW-B-3	900
TB-H900	294	49	6	7~55F		T2CW-H-2	900
TB-H900	194	48	4	7~27F,29~55F	2	T2CW-B-1	900
TB-H900	194	48	4	7~27F,29~55F	2	T2CW-A-2	900
TB-H900	196	49	4	7~55F		T2CW-M-1	900
TB-H900	98	49	2	7~55F		T2CW-M-2	900
TB-H900	195	48	4	7~27F,29~55F	3	T2CW-M-3	900
TB-H900	182	45	4	7~27F,29~52F	2	T3CW-B-1	900
TB-H900	182	45	4	7~27F,29~52F	2	T3CW-A-2	900
TB-H900	367	45	8	7~27F,29~52F	7	T3CW-F-2	900
TB-H900	174	43	4	7~27F,29~50F	2	T5CW-M-1	900
TB-H900	174	43	4	7~27F,29~50F	2	T5CW-L-2	900
TB-H900	175	43	4	7~27F,29~50F	3	T5CW-A-2	900
TB-H900	88	44	2	7~50F		T5CW-A-1	900
TB-H900	352	44	8	7~50F		T5CW-H-3	900
總數	3913						

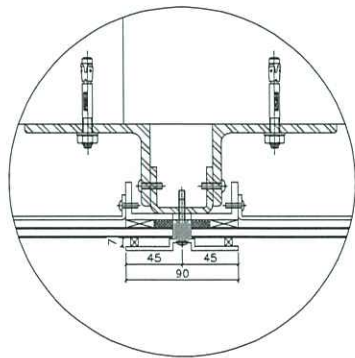
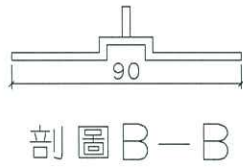
名稱	小單元玻璃企外裝飾蓋	制圖	柯慶余	2020.3.25	修改			
材料	X85676	復核	謝永林	2020.3.25	日期			
顏色	EC-DG-S332054(三塗)	批准	Jason		圖號	TB-H900-1		



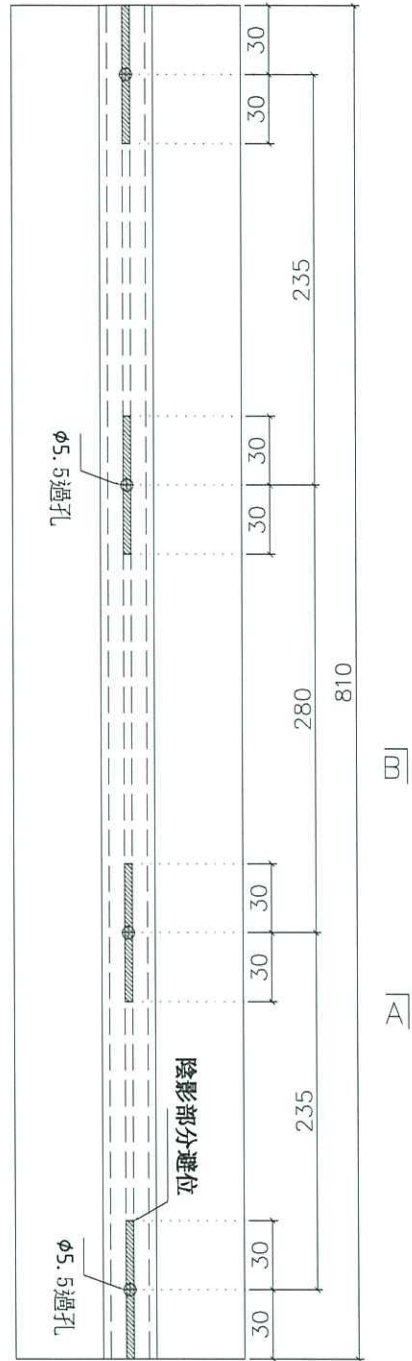
美特鋁質有限公司
MIDI Aluminium Fabricator Ltd.

工程號 J-837 | 地盤 觀塘裕民坊

數據表參見: TB-L900-1



安裝示意

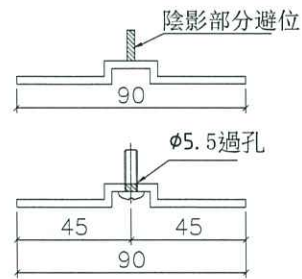


B

A

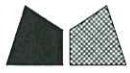
B

A



剖圖 A-A

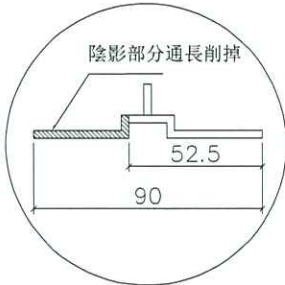
名稱	小單元玻璃企外裝飾蓋	制圖	柯慶余	2020.3.25	修改		
材料	X85676	復核	謝永林	2020.3.25	日期		
顏色	EC-DG-S332054 (3塗)	批准	Jason		圖號	TB-L900	



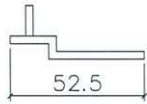
美特鋁質有限公司
MIDI Aluminium Fabricator Ltd.

工程號 J-837 | 地盤 觀塘裕民坊

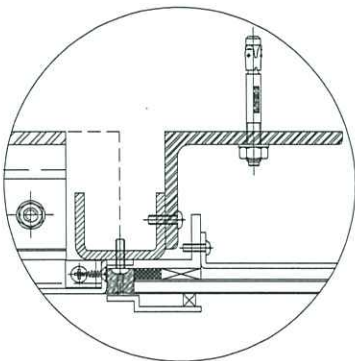
數據表參見: TB-H2250-1



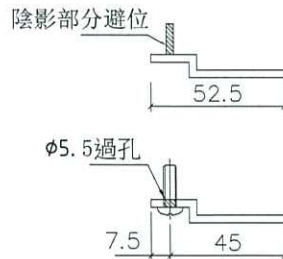
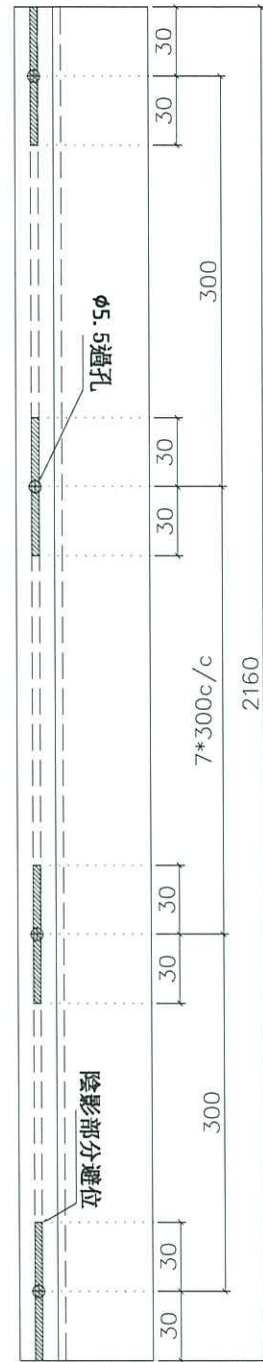
削料示意圖



剖圖 B-B



安裝示意



剖圖 A-A

名稱	小單元玻璃企外裝飾蓋	制圖	柯慶余	2020.3.25	修改		
材料	X85676	復核	謝永林	2020.3.25	日期		
顏色	EC-DG-S332054 (3塗)	批准	Jason		圖號	TB-H2250	



美特鋁質有限公司
MIDI Aluminium Fabricator Ltd.

工程號 J-837 | 地盤 觀塘裕民坊

拆圖參見: TB-H2250

物料編號	總數量	總樓層	每層	位置	樓層	分格
TB-H2250	176	44	4	T1CW -H-1	6~26F;28~50F	2250
TB-H2250	176	44	4	T1CW -G-2	6~26F;28~50F	2250
TB-H2250	396	44	9	T1CW -E-2	6~26F;28~50F	2250
TB-H2250	176	44	4	T1CW -A-1	6~26F;28~50F	2250
TB-H2250	176	44	4	T1CW -B-3	6~26F;28~50F	2250
TB-H2250	294	49	6	T2CW -H-2	6~26F;28~55F	2250
TB-H2250	196	49	4	T2CW -B-1	6~26F;28~55F	2250
TB-H2250	196	49	4	T2CW -A-2	6~26F;28~55F	2250
TB-H2250	196	49	4	T2CW -M-1	6~26F;28~55F	2250
TB-H2250	98	49	2	T2CW -M-2	6~26F;28~55F	2250
TB-H2250	196	49	4	T2CW -M-3	6~26F;28~55F	2250
TB-H2250	184	46	4	T3CW -B-1	6~26F;28~52F	2250
TB-H2250	184	46	4	T3CW -A-2	6~26F;28~52F	2250
TB-H2250	368	46	8	T3CW -F-2	6~26F;28~52F	2250
TB-H2250	176	44	4	T5CW -M-1	6~26F;28~50F	2250
TB-H2250	176	44	4	T5CW -L-2	6~26F;28~50F	2250
TB-H2250	180	45	4	T5CW -A-2	6~26F;28~51F	2250
TB-H2250	90	45	2	T5CW -A-1	6~26F;28~51F	2250
TB-H2250	352	44	8	T5CW -H-3	6~26F;28~50F	2250
總數	3986					

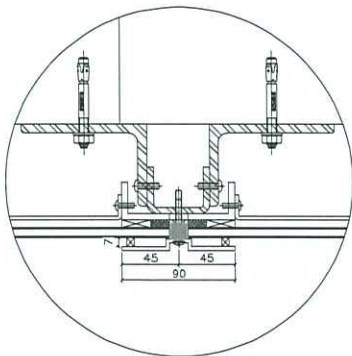
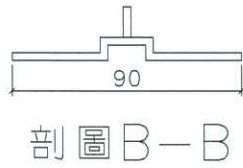
名稱	小單元玻璃企外裝飾蓋	制圖	柯慶余	2020.3.25	修改		
材料	X85676	復核	謝永林	2020.3.25	日期		
顏色	EC-DG-S332054(三塗)	批准	Jason		圖號	TB-H2250-1	



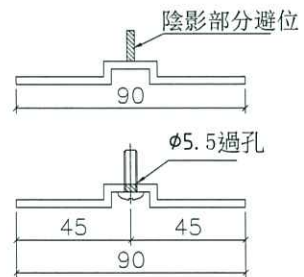
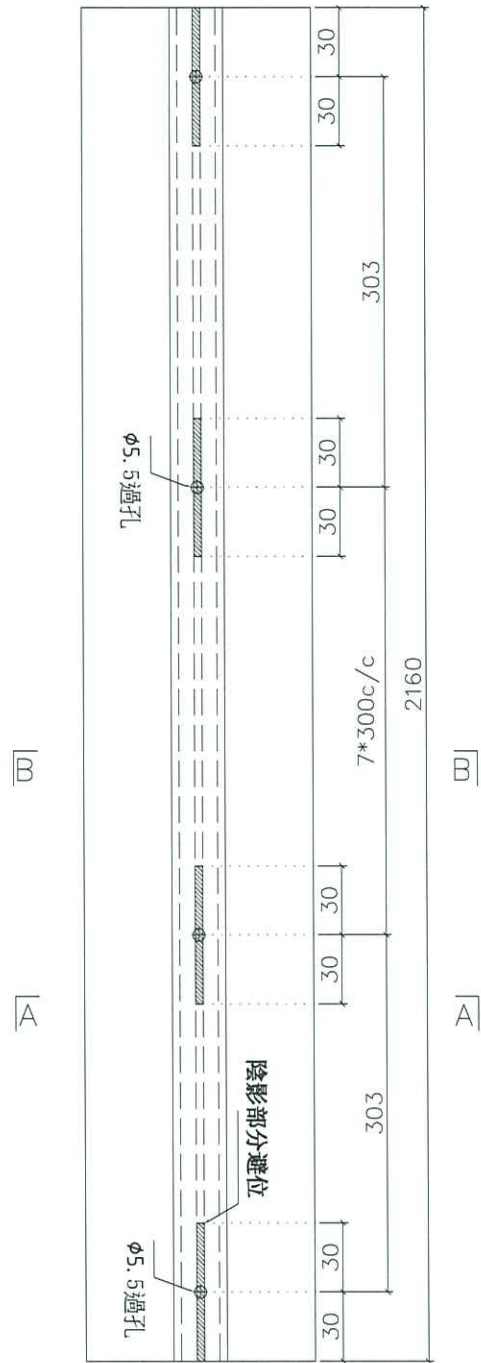
美特鋁質有限公司
MIDI Aluminium Fabricator Ltd.

工程號 J-837 | 地盤 觀塘裕民坊

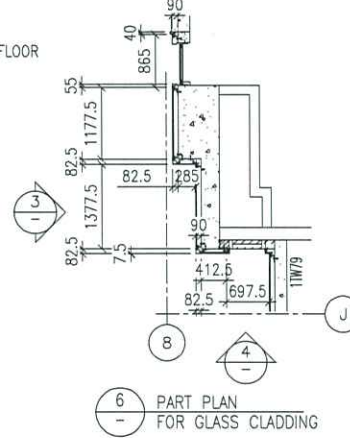
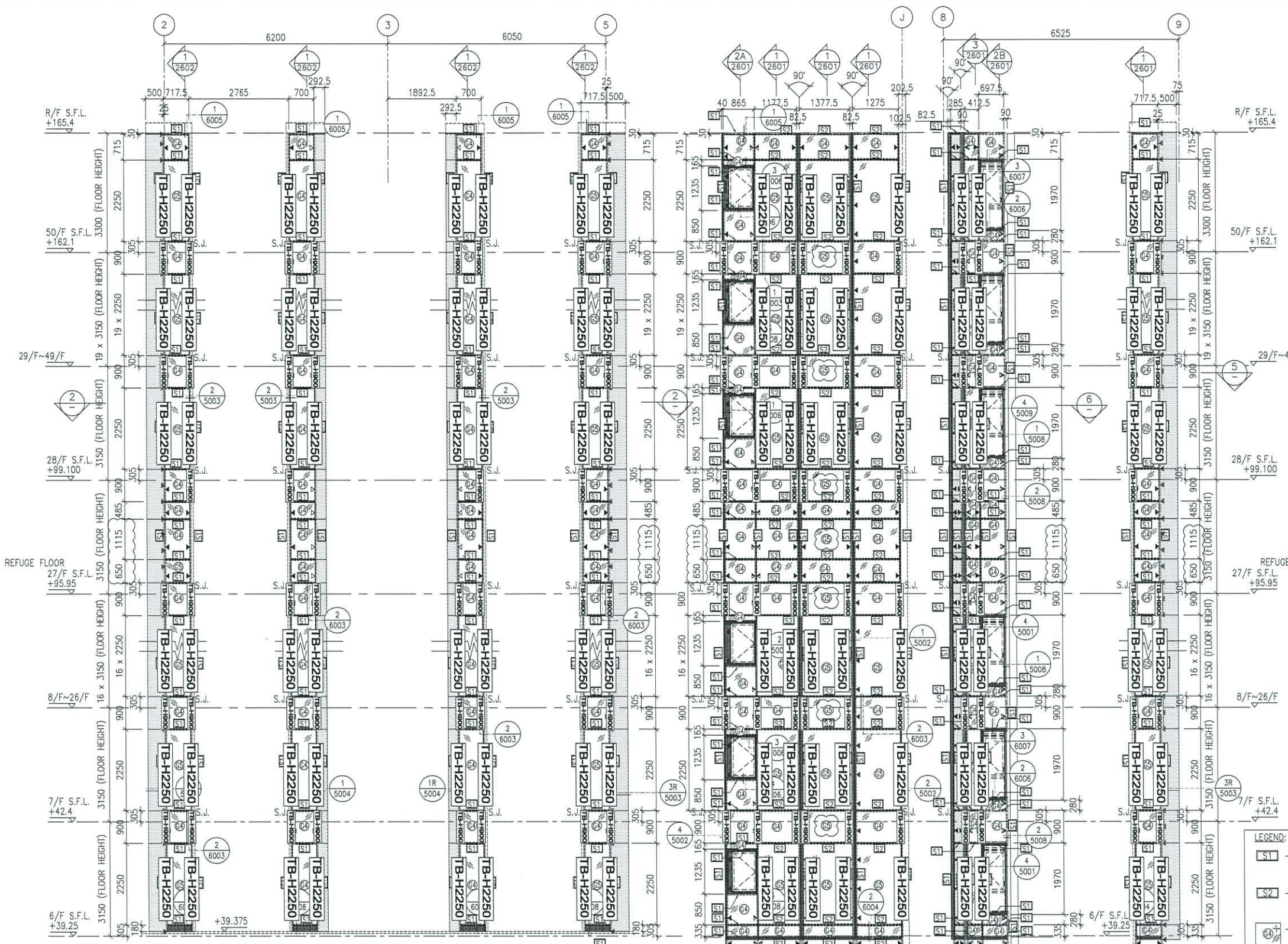
數據表參見: TB-L2250-1



安裝示意



名稱	小單元玻璃企外裝飾蓋	制圖	柯慶余	2020.3.25	修改		
材料	X85676	復核	謝永林	2020.3.25	日期		
顏色	EC-DG-S332054 (3塗)	批准	Jason		圖號	TB-L2250	



- LEGEND:**
- S1 - 50x37x5mm THK. G.M.S. CHANNEL (CUT FROM 100x50x5mm THK. G.M.S. R.H.S.) (FOR LOAD WIDTH < 1131.)
 - S2 - 50x37x8mm THK. G.M.S. CHANNEL (CUT FROM 100x50x8mm THK. G.M.S. R.H.S.) (FOR LOAD WIDTH > 1131 < 1370.)
 - ④ - 8 mm THK. HEAT STRENGTHENED BLUE TINTED GLASS (SPANDREL GLASS)
 - ⑤ - 8 mm THK. TEMPERED BLUE TINTED GLASS
 - ▲ - 100x65x8mm THK. G.M.S. ANGLE BRACKET (L=250mm) W/ 2NOS.-HILTI HST3-R M8 ANCHOR BOLT (MAX. @900c/c)
 - △ - 100x65x8mm THK. G.M.S. ANGLE BRACKET (L=250mm) W/ 2NOS.-HILTI HST3-R M12 ANCHOR BOLT (MAX. @900c/c)
 - ▲ - 100x65x8mm THK. G.M.S. ANGLE BRACKET (L=200mm) W/ 1NO.-HILTI HST3-R M8 ANCHOR BOLT (MAX. @900c/c)
 - ▲ - 100x50x6mm THK. G.M.S. ANGLE BRACKET (L=250mm) W/ 2NOS.-HILTI HST3-R M8 ANCHOR BOLT (@900c/c)
 - ▲ - 100x50x6mm THK. G.M.S. ANGLE BRACKET (L=250mm) W/ CAST IN EMBED (150x250x12mm THK. G.M.S. PLATE & #12 G.M.S. ROD [GR. 500B])
 - HILTI HST3-R M12 ANCHOR BOLT (2NOS. MAX. @500c/c) & 100x65x8mm THK. G.M.S. ANGLE BRACKET (L=120mm) (2NOS. MAX. @500c/c) & MB S/S BOLT & NUT (2 NOS.)
 - S.J. - STACK JOINT
 - - 3 mm THK. ALUM. CLADDING

1 PART ELEVATION FOR GLASS CLADDING

3 PART ELEVATION FOR GLASS CLADDING

4 PART ELEVATION FOR GLASS CLADDING

2 PART PLAN FOR GLASS CLADDING

5 PART PLAN FOR GLASS CLADDING

B.D. REF :

CLIENT :
 信和置業有限公司
 Sino Land Company Limited

ARCHITECT :
 WONG TUNG & PARTNERS LIMITED
 ARCHITECTS & PLANNERS

MAIN CONTRACTOR :
 CR Construction Company Limited

STRUCTURAL ENGINEER :
 AECOM

FACADE CONSULTANT:
 AECOM

NOTE :
 1. ALL DIMENSIONS ARE IN mm.
 2. ALL ELEVATIONS ARE VIEWED FROM OUTSIDE.
 3. ALL DIMENSIONS TO BE VERIFIED ON SITE BEFORE FABRICATION.

LEGEND :
 X1 - DETAIL MARK NO.
 X001 - REFER SHEET NO.

C	30/1/2019	GENERAL REVISED	
B	17/11/2018	GENERAL REVISED	
A	15/10/2018	GENERAL REVISED	
NO.	DATE	REVISED	BY

JOB NO. : J-B37

PROJECT :
 URA KWUN TONG TOWN CENTRE
 REDEVELOPMENT (AREA 2 & 3) AT
 NKIL 6514, KWUN TONG, KWLOON

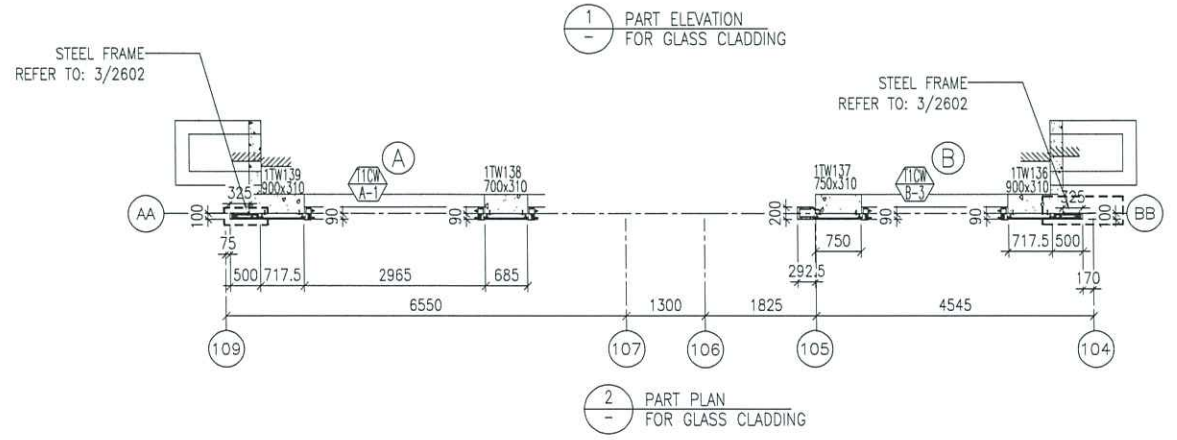
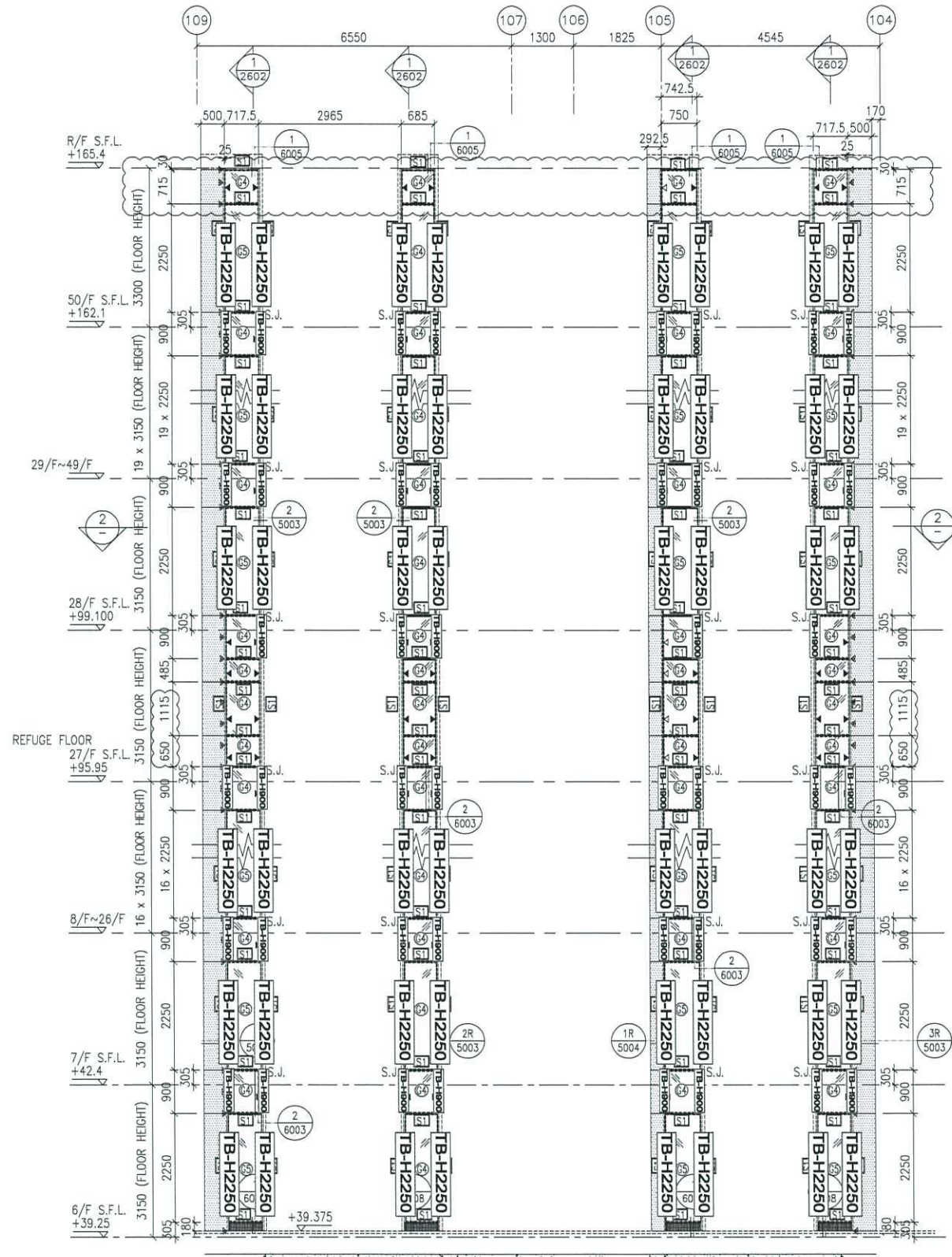
TITLE :
 PART ELEVATION
 OF GLASS CLADDING
 AT TOWER 1

DATE : 04-JUL-18 SCALE : 1:60 (A1)

DRAWN BY : ASING CHECKED BY : -

美特鋁質有限公司
 MIDI ALUMINIUM FABRICATOR LTD.
 Units 6-8, Sunray Industrial Centre, 1/F
 610 Cho Kwo Ling Road, Kowloon
 Tel:23489211-4 Fax:(852)27727666

DWG NO. : JB37-GC-2101 REV. : C



B.D. REF :

CLIENT :
 信和置業有限公司
 Sino Land Company Limited

ARCHITECT :
 WONG TUNG & PARTNERS LIMITED
 ARCHITECTS & PLANNERS

MAIN CONTRACTOR :
 CR Construction Company Limited

STRUCTURAL ENGINEER :
 AECOM

FACADE CONSULTANT:
 AECOM

NOTE :
 1. ALL DIMENSIONS ARE IN mm.
 2. ALL ELEVATIONS ARE VIEWED FROM OUTSIDE.
 3. ALL DIMENSIONS TO BE VERIFIED ON SITE BEFORE FABRICATION.

LEGEND :
 X1 --- DETAIL MARK NO.
 X001 --- REFER SHEET NO.
 1. F.F.L. --- FINISHED FLOOR LEVEL
 2. S.F.L. --- STRUCTURAL FLOOR LEVEL
 3. (R) --- REVERSED DETAIL

NO.	DATE	REVISION	BY
C	30/1/2019	GENERAL REVISED	
B	17/11/2018	GENERAL REVISED	
A	15/10/2018	GENERAL REVISED	

- LEGEND:
- 50x37x5mm THK. G.M.S. CHANNEL (CUT FROM 100x50x5mm THK. G.M.S. R.H.S.)
 - 8 mm THK. HEAT STRENGTHENED BLUE TINTED GLASS (SPANDREL GLASS)
 - 8 mm THK. TEMPERED BLUE TINTED GLASS
 - 100x65x8mm THK. G.M.S. ANGLE BRACKET (L=250mm) W/ 2NOS-HILTI HST3-R M8 ANCHOR BOLT (MAX. @900c/c)
 - 100x65x8mm THK. G.M.S. ANGLE BRACKET (L=250mm) W/ 2NOS-HILTI HST3-R M12 ANCHOR BOLT (MAX. @900c/c)
 - HILTI HST3-R M12 ANCHOR BOLT (2NOS. MAX. @500c/c) & 100x65x8mm THK. G.M.S. ANGLE BRACKET (L=120mm) (2NOS. MAX. @500c/c) & M8 S/S BOLT & NUT (2 NOS.)
 - 3 mm THK. ALUM. CLADDING
 - S.J. - STACK JOINT

JOB NO. : J-837

PROJECT :
 URA KWUN TONG TOWN CENTRE REDEVELOPMENT (AREA 2 & 3) AT NKIL 6514, KWUN TONG, KWLOON

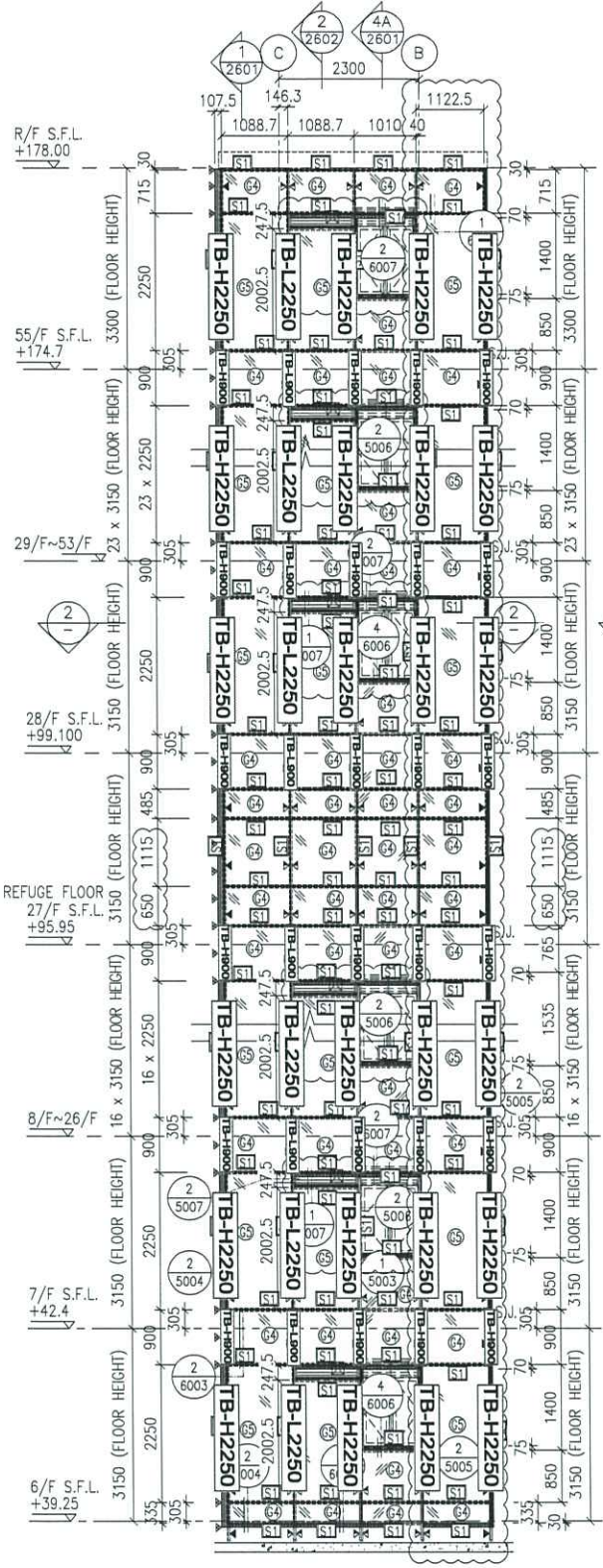
TITLE :
 PART ELEVATION OF GLASS CLADDING AT TOWER 1

DATE : 04-JUL-18 SCALE : 1:60 (A1)

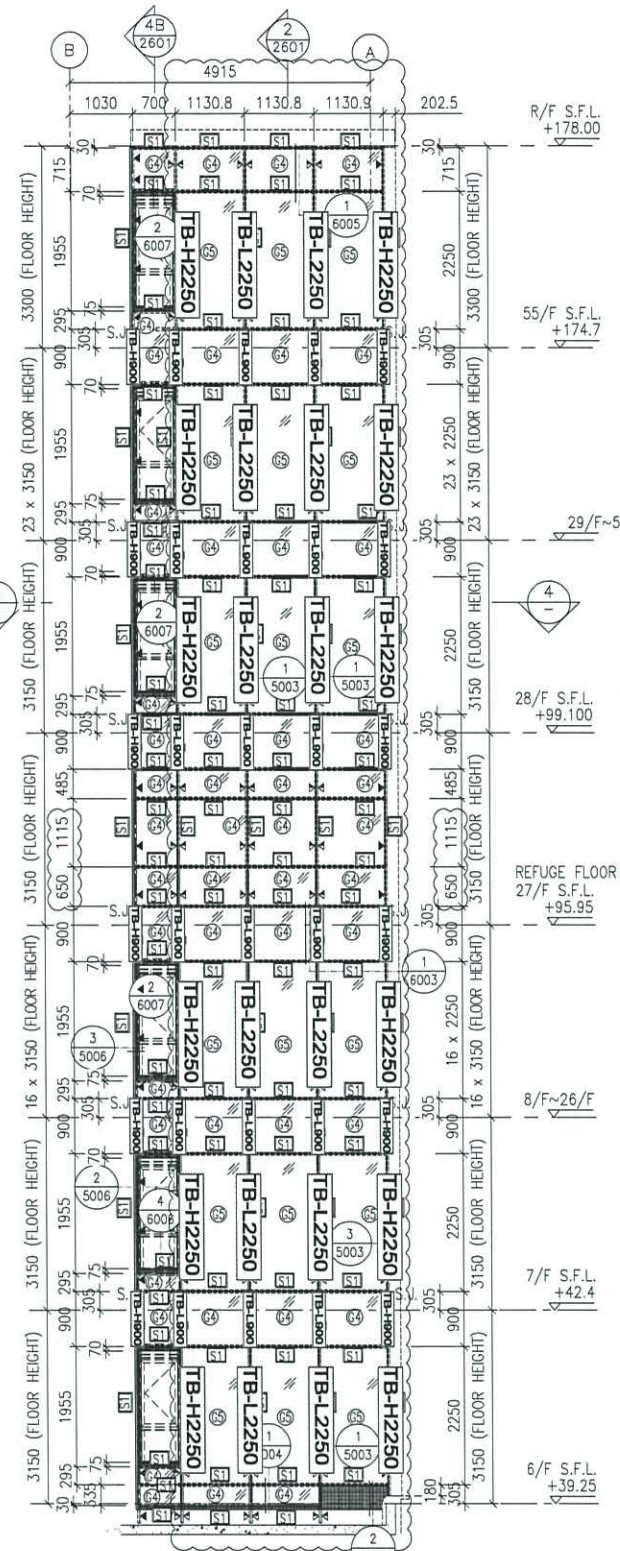
DRAWN BY : ASING CHECKED BY : -

美特鋁質有限公司
 ALUMINIUM FABRICATOR LTD.
 Units 6-8, Sunray Industrial Centre, 1/F
 610 Cha Kwo Ling Road, Kowloon
 Tel: 23489211-4 Fax: (852) 2727666

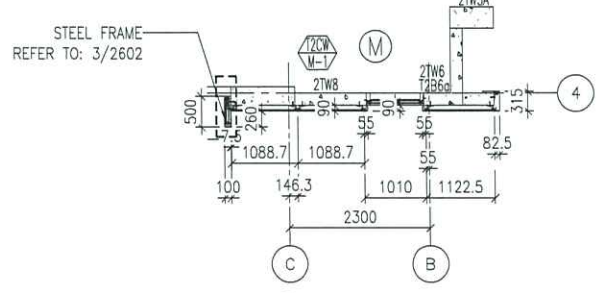
DWG NO. : JB37-GC-2102 REV. : C



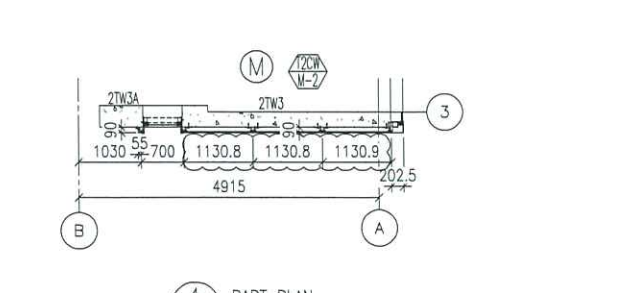
1 PART ELEVATION FOR GLASS CLADDING



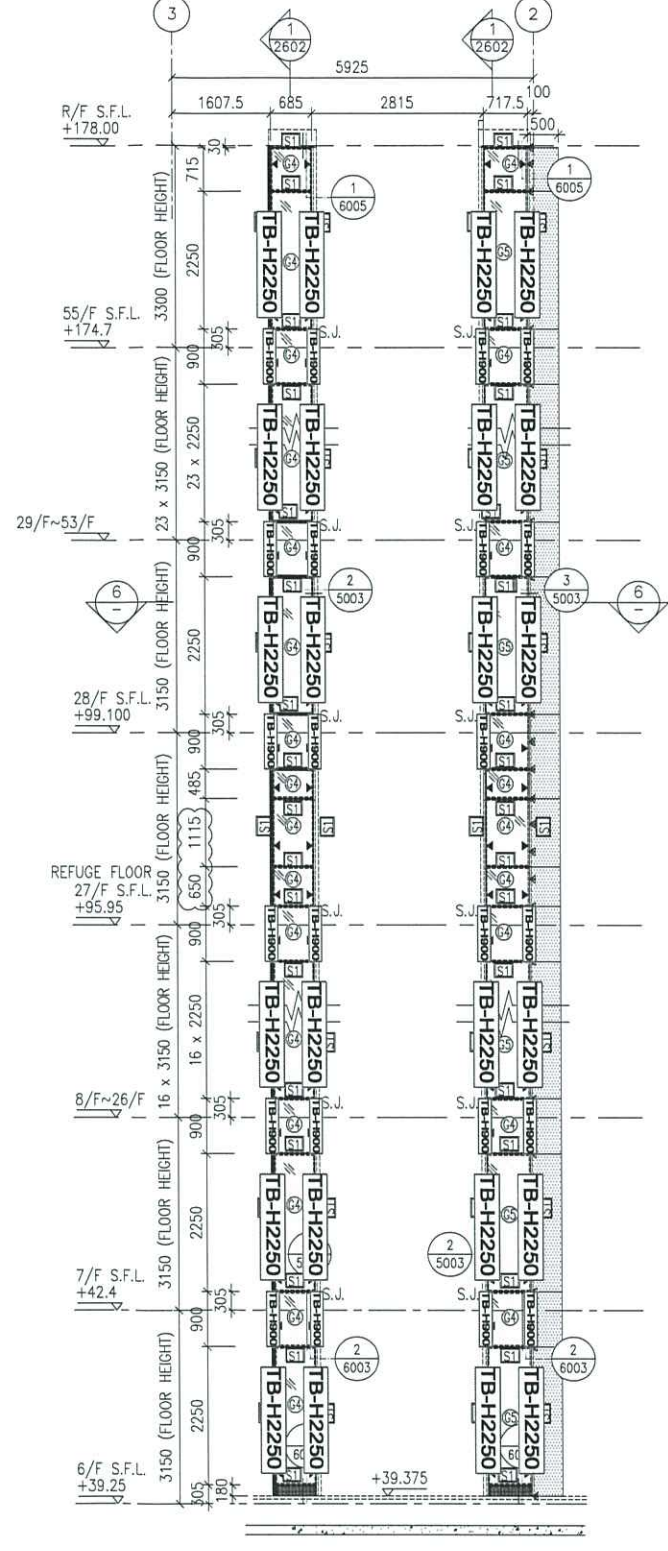
3 PART ELEVATION FOR GLASS CLADDING



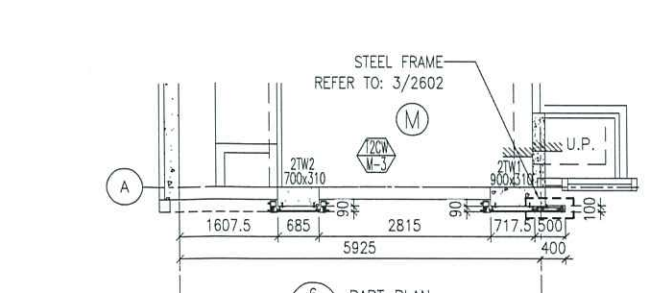
2 PART PLAN FOR GLASS CLADDING



4 PART PLAN FOR GLASS CLADDING



5 PART ELEVATION FOR GLASS CLADDING



6 PART PLAN FOR GLASS CLADDING

- LEGEND:
- SI - 50x37x5mm THK. G.M.S. CHANNEL (CUT FROM 100x50x5mm THK. G.M.S. R.H.S.) (FOR LOAD WIDTH ≤ 1131.)
 - ② - 8 mm THK. HEAT STRENGTHENED BLUE TINTED GLASS (SPANDREL GLASS)
 - ③ - 8 mm THK. TEMPERED BLUE TINTED GLASS
 - ▲ - 100x65x8mm THK. G.M.S. ANGLE BRACKET (L=250mm) W/ 2NOS-HILTI HST3-R MB ANCHOR BOLT (MAX. @900c/c)
 - ▲ - 100x65x8mm THK. G.M.S. ANGLE BRACKET (L=200mm) W/ 1NO-HILTI HST3-R MB ANCHOR BOLT (MAX. @900c/c)
 - ▲ - HILTI HST3-R M12 ANCHOR BOLT (2NOS. MAX. @500c/c) & 100x65x8mm THK. G.M.S. ANGLE BRACKET (L=120mm) (2NOS. MAX. @500c/c) & MB S/S BOLT & NUT (2 NOS.)
 - S.J. - STACK JOINT
 - - 3 mm THK. ALUM. CLADDING

B.D. REF :

CLIENT :
 信和置業有限公司
 Sino Land Company Limited

ARCHITECT :
 WONG TUNG & PARTNERS LIMITED
 ARCHITECTS & PLANNERS

MAIN CONTRACTOR :
 CR Construction Company Limited

STRUCTURAL ENGINEER :
 AECOM

FACADE CONSULTANT:
 AECOM

NOTE:
 1. ALL DIMENSIONS ARE IN mm.
 2. ALL ELEVATIONS ARE VIEWED FROM OUTSIDE.
 3. ALL DIMENSIONS TO BE VERIFIED ON SITE BEFORE FABRICATION.

LEGEND:
 - DETAIL MARK NO.
 - REFER SHEET NO.

1. F.F.L. --- FINISHED FLOOR LEVEL
 2. S.F.L. --- STRUCTURAL FLOOR LEVEL
 3. Ⓡ --- REVERSED DETAIL

NO.	DATE	REVISED	BY
C	30/1/2019	GENERAL REVISED	
B	17/11/2018	GENERAL REVISED	
A	15/10/2018	GENERAL REVISED	

JOB NO. : J-B37

PROJECT :
 URA KWUN TONG TOWN CENTRE
 REDEVELOPMENT (AREA 2 & 3) AT
 NKIL 6514, KWUN TONG, KWLOON

TITLE :
 PART ELEVATION
 OF GLASS CLADDING
 AT TOWER 2

DATE : 04-JUL-18 SCALE : 1:60 (A1)

DRAWN BY : ASING CHECKED BY : -

美特鋁質有限公司
 MIDI ALUMINIUM FABRICATOR LTD.
 Units 6-8, Sunray Industrial Centre, 1/F
 610 Cho Kwo Ling Road, Kowloon
 Tel:23489211-4 Fax:(852)2727666

DWG NO. : JB37-GC-2202 REV. : C

B.D. REF :

CLIENT :
信和置業有限公司
Sino Land Company Limited

ARCHITECT :
WONG TUNG & PARTNERS LIMITED
ARCHITECTS & PLANNERS

MAIN CONTRACTOR :
CR Construction Company Limited

STRUCTURAL ENGINEER :
AECOM

FAÇADE CONSULTANT:
AECOM

NOTE :
1. ALL DIMENSIONS ARE IN mm.
2. ALL ELEVATIONS ARE VIEWED FROM OUTSIDE.
3. ALL DIMENSIONS TO BE VERIFIED ON SITE BEFORE FABRICATION.

LEGEND :
X1 --- DETAIL MARK NO.
X001 --- REFER SHEET NO.
1. F.F.L. --- FINISHED FLOOR LEVEL
2. S.F.L. --- STRUCTURAL FLOOR LEVEL
3. (R) --- REVERSED DETAIL

NO.	DATE	REVISED	BY
C	30/1/2019	GENERAL REVISED	
B	17/11/2018	GENERAL REVISED	
A	15/10/2018	GENERAL REVISED	

JOB NO. : J-B37

PROJECT :
URA KWUN TONG TOWN CENTRE
REDEVELOPMENT (AREA 2 & 3) AT
NKIL 6514, KWUN TONG, KWLOON

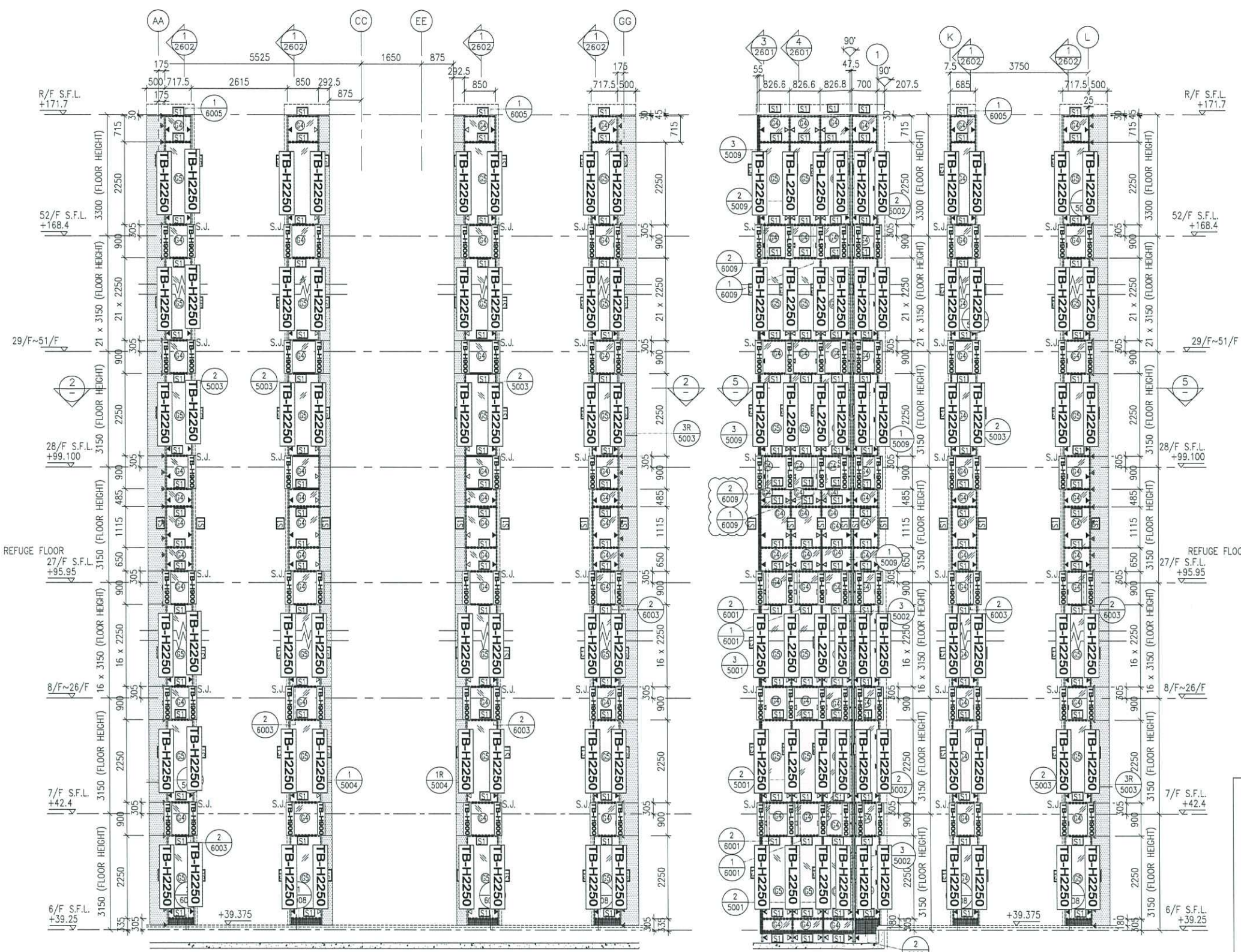
TITLE :
PART ELEVATION
OF GLASS CLADDING
AT TOWER 3

DATE : 04-JUL-18 SCALE : 1:60 (A1)

DRAWN BY : ASING CHECKED BY : -

美特鋁質有限公司
MIDI ALUMINIUM FABRICATOR LTD.
Units 6-8, Sunray Industrial Centre, 1/F
610 Cha Kwo Ling Road, Kowloon
Tel: 23489211-4 Fax: (852) 27727666

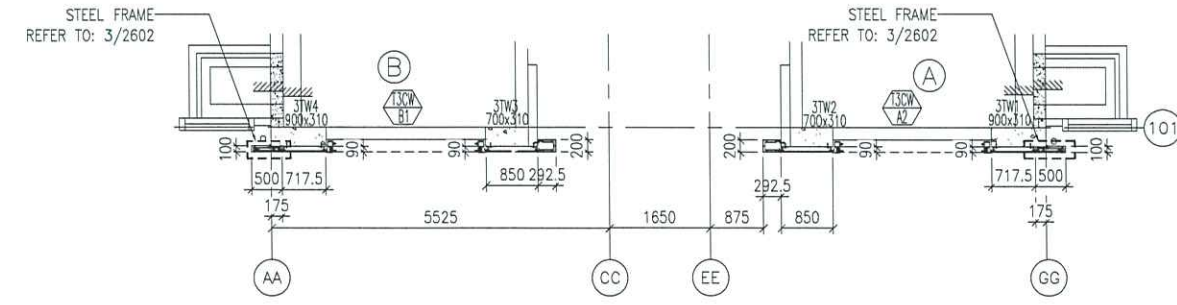
DWG NO. : JB37-GC-2301 REV. : C



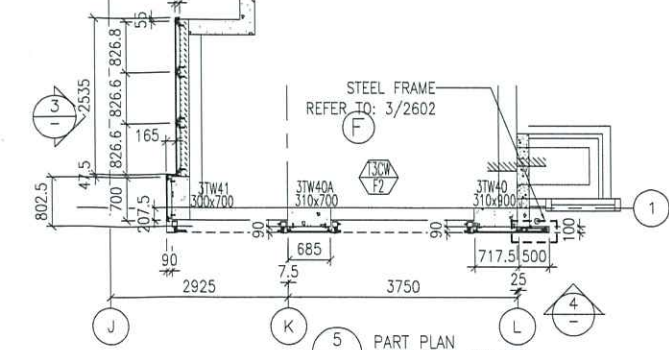
1 PART ELEVATION FOR GLASS CLADDING

3 PART ELEVATION FOR GLASS CLADDING

4 PART ELEVATION FOR GLASS CLADDING



2 PART PLAN FOR GLASS CLADDING




5 PART PLAN FOR GLASS CLADDING

- LEGEND:
- ST - 50x37x5mm THK. G.M.S. CHANNEL (CUT FROM 100x50x5mm THK. G.M.S. R.H.S.)
 - STW - 8 mm THK. HEAT STRENGTHENED BLUE TINTED GLASS (SPANDREL GLASS)
 - STW - 8 mm THK. TEMPERED BLUE TINTED GLASS
 - ▲ - 100x65x8mm THK. G.M.S. ANGLE BRACKET (L=250mm) W/ 2NOS-HILTI HST3-R M8 ANCHOR BOLT (MAX. @900c/c)
 - ▲ - 100x65x8mm THK. G.M.S. ANGLE BRACKET (L=250mm) W/ 2NOS-HILTI HST3-R M12 ANCHOR BOLT (MAX. @900c/c)
 - ▲ - 100x65x8mm THK. G.M.S. ANGLE BRACKET (L=200mm) W/ 1NO-HILTI HST3-R M8 ANCHOR BOLT (MAX. @900c/c)
 - ▲ - 100x50x6mm THK. G.M.S. ANGLE BRACKET (L=250mm) W/ 2NOS-HILTI HST3-R M8 ANCHOR BOLT (@900c/c)
 - ▲ - 100x50x6mm THK. G.M.S. ANGLE BRACKET (L=200mm) W/ 1NO-HILTI HST3-R M8 ANCHOR BOLT (@900c/c)
 - ▲ - 100x50x6mm THK. G.M.S. ANGLE BRACKET (L=250mm) W/ CAST IN EMBED(250x150x12mm THK. G.M.S. PLATE & Ø12 G.M.S. ROD (GR. 500B))
 - ▲ - 100x50x6mm THK. G.M.S. ANGLE BRACKET (L=200mm) W/ CAST IN EMBED(300x250x12mm THK. G.M.S. PLATE & Ø12 G.M.S. ROD (GR. 500B))
 - ▲ - HILTI HST3-R M12 ANCHOR BOLT (2NOS. MAX. @500c/c) & 100x65x8mm THK. G.M.S. ANGLE BRACKET (L=120mm) (2NOS. MAX. @500c/c) & M8 S/S BOLT & NUT (2 NOS.)
 - S.J. - STACK JOINT
 - - 3 mm THK. ALUM. CLADDING

B.D. REF :

CLIENT :
 信和置業有限公司
 Sino Land Company Limited

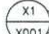

ARCHITECT :
 WONG TUNG & PARTNERS LIMITED
 ARCHITECTS & PLANNERS

MAIN CONTRACTOR :
 CR Construction Company Limited

STRUCTURAL ENGINEER :
 AECOM

FAÇADE CONSULTANT:
 AECOM

NOTE :
 1. ALL DIMENSIONS ARE IN mm.
 2. ALL ELEVATIONS ARE VIEWED FROM OUTSIDE.
 3. ALL DIMENSIONS TO BE VERIFIED ON SITE BEFORE FABRICATION.

LEGEND :
 X1 --- DETAIL MARK NO.
 X001 --- REFER SHEET NO.

1. F.F.L. --- FINISHED FLOOR LEVEL
 2. S.F.L. --- STRUCTURAL FLOOR LEVEL
 3. (R) --- REVERSED DETAIL

NO.	DATE	REVISED	BY
D	24/4/2019	GENERAL REVISED	
C	30/1/2019	GENERAL REVISED	
B	17/11/2018	GENERAL REVISED	
A	15/10/2018	GENERAL REVISED	

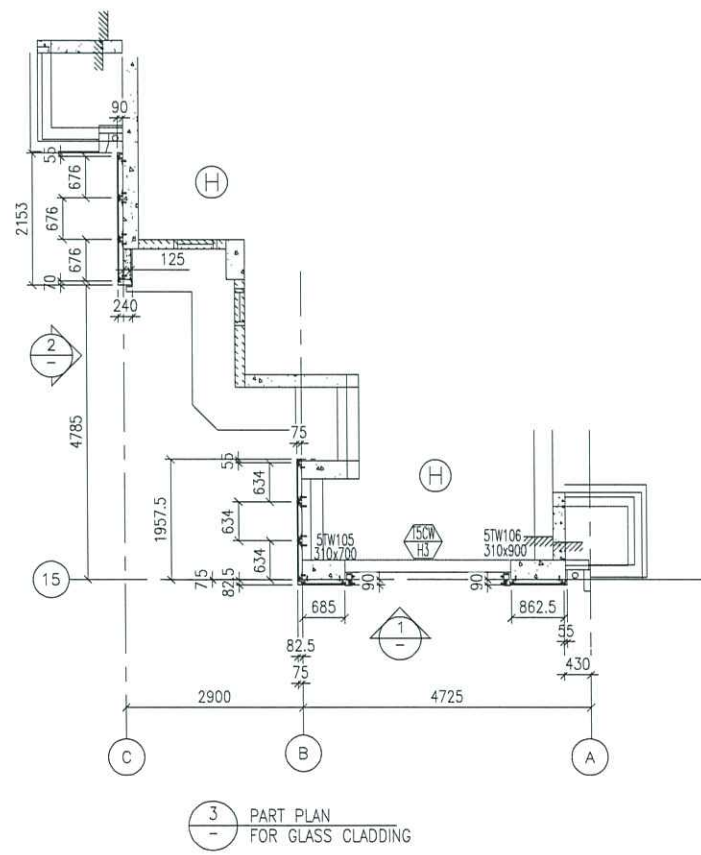
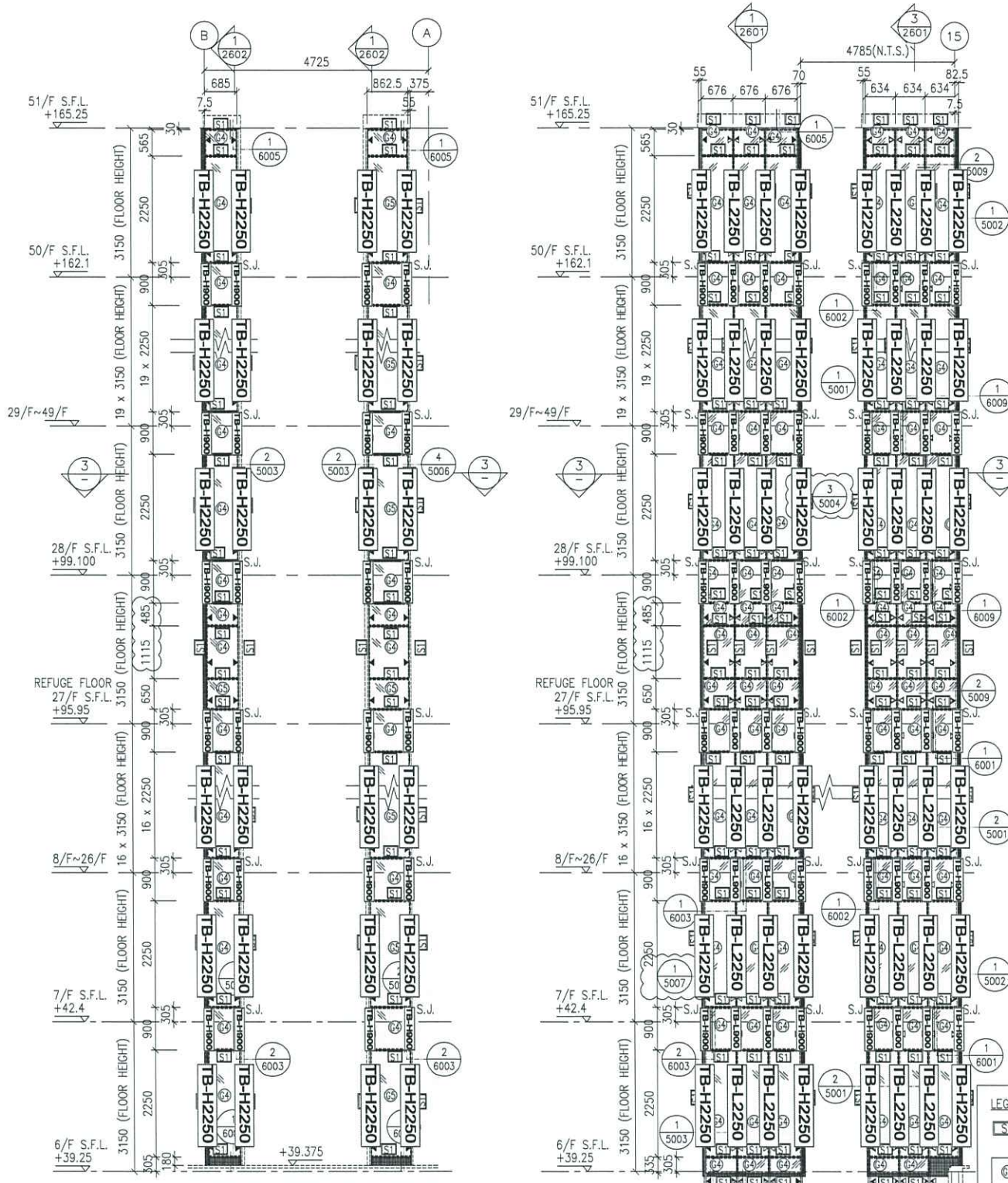
JOB NO. : J-837
 PROJECT :
 URA KWUN TONG TOWN CENTRE
 REDEVELOPMENT (AREA 2 & 3) AT
 NKIL 6514, KWUN TONG, KWLOON


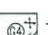
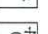








TITLE :
 PART ELEVATION
 OF GLASS CLADDING
 AT TOWER 5

DATE : 04-JUL-18 SCALE : 1:60 (A1)

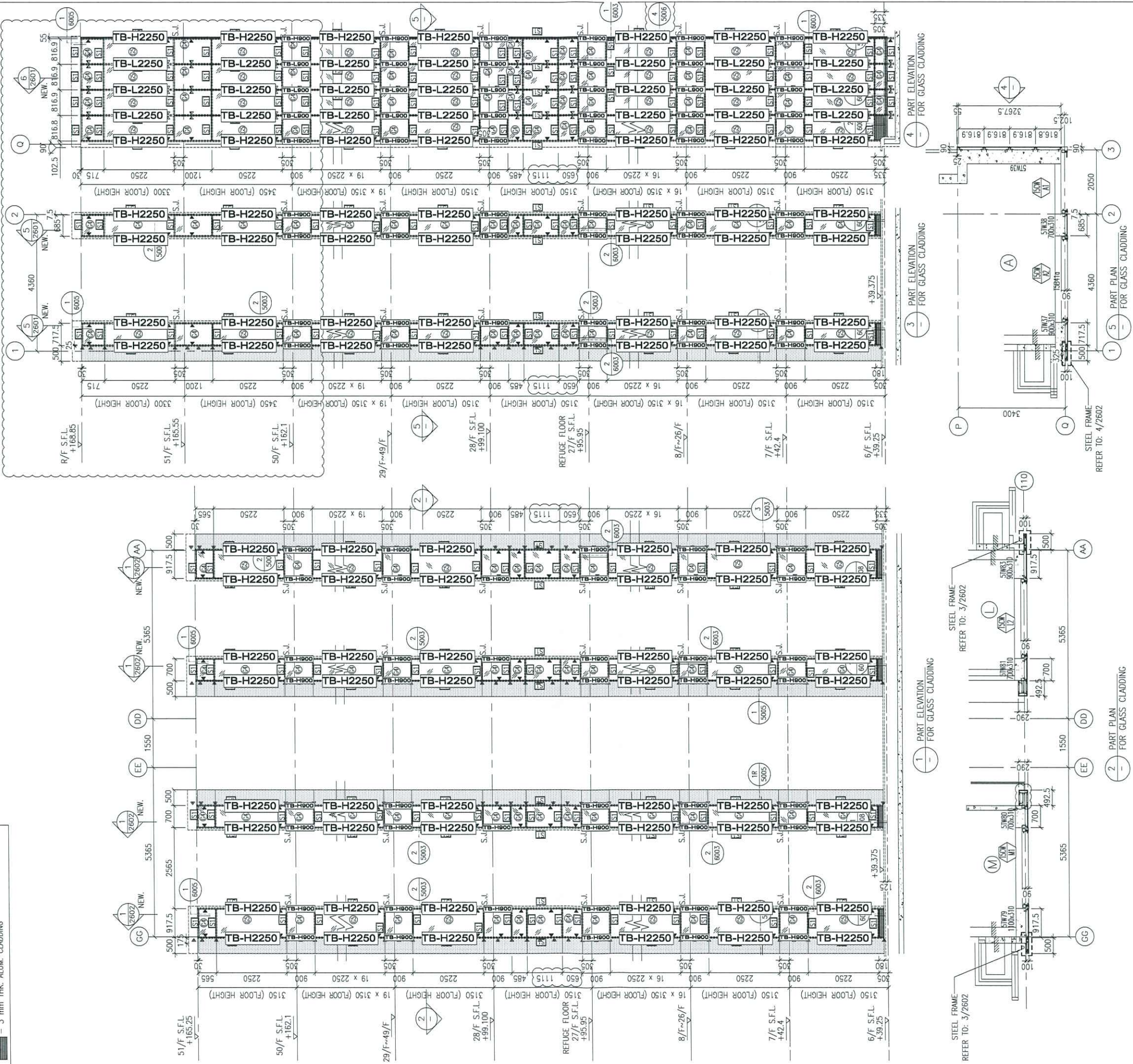
DRAWN BY : ASING CHECKED BY : -
 美特鋁質有限公司
 MIDI ALUMINIUM FABRICATOR LTD.
 Units 6-8, Sunray Industrial Centre, 1/F
 610 Cha Kwo Ling Road, Kowloon
 Tel: 23489211-4 Fax: (852) 2727666

DWG NO. : JB37-GC-2502 REV. : D



- LEGEND:
-  ST - 50x37x5mm THK. G.M.S. CHANNEL (CUT FROM 100x50x5mm THK. G.M.S. R.H.S.)
 -  + - 8 mm THK. HEAT STRENGTHENED BLUE TINTED GLASS (SPANDREL GLASS)
 -  - - 8 mm THK. TEMPERED BLUE TINTED GLASS
 -  - 100x65x8mm THK. G.M.S. ANGLE BRACKET (L=250mm) W/ 2NOS-HILTI HST3-R M8 ANCHOR BOLT (MAX. @900c/c)
 -  - 100x65x8mm THK. G.M.S. ANGLE BRACKET (L=200mm) W/ 1NO-HILTI HST3-R M8 ANCHOR BOLT (MAX. @900c/c)
 -  - 100x50x6mm THK. G.M.S. ANGLE BRACKET (L=250mm) W/ 2NOS-HILTI HST3-R M8 ANCHOR BOLT (@900c/c)
 -  - 100x50x6mm THK. G.M.S. ANGLE BRACKET (L=200mm) W/ 1NO-HILTI HST3-R M8 ANCHOR BOLT (@900c/c)
 -  - 100x50x6mm THK. G.M.S. ANGLE BRACKET (L=200mm) W/ CAST IN EMBED(300x250x12mm THK. G.M.S. PLATE & #12 G.M.S. ROD (GR. 500B))
 -  - HILTI HST3-R M12 ANCHOR BOLT (2NOS. MAX. @500c/c) & 100x65x8mm THK. G.M.S. ANGLE BRACKET (L=120mm) (2NOS. MAX. @500c/c) & M8 S/S BOLT & NUT (2 NOS.)
 -  S.J. - STACK JOINT
 -  - 3 mm THK. ALUM. CLADDING

- LEGEND:**
- ST 50x37x5mm THK. G.M.S. CHANNEL
(CUT FROM 100x50x5mm THK. G.M.S. R.H.S.)
 - 8 mm THK. HEAT STRENGTHENED BLUE TINTED GLASS
(SPANDREL GLASS)
 - 8 mm THK. TEMPERED BLUE TINTED GLASS
 - 100x65x8mm THK. G.M.S. ANGLE BRACKET (L=250mm)
W/ 2NOS.-HILTI HS13-R MB ANCHOR BOLT
(MAX. Ø900c/c)
 - 100x65x8mm THK. G.M.S. ANGLE BRACKET (L=200mm)
W/ 1NO.-HILTI HS13-R MB ANCHOR BOLT
(MAX. Ø900c/c)
 - S.J. STACK JOINT
 - 3 mm THK. ALUM. CLADDING



B.D. REF :

CLIENT :
 信和置業有限公司
 Sino Land Company Limited

ARCHITECT :
 WONG TUNG & PARTNERS LIMITED
 ARCHITECTS & PLANNERS

MAIN CONTRACTOR :
 CR Construction Company Limited

STRUCTURAL ENGINEER :
 AECOM

FAÇADE CONSULTANT:
 AECOM

NOTE :

- ALL DIMENSIONS ARE IN mm.
- ALL ELEVATIONS ARE VIEWED FROM OUTSIDE.
- ALL DIMENSIONS TO BE VERIFIED ON SITE BEFORE FABRICATION.

LEGEND :

- X1 — DETAIL MARK NO.
- X001 — REFER SHEET NO.
- 1. F.F.L. — FINISHED FLOOR LEVEL
- 2. S.F.L. — STRUCTURAL FLOOR LEVEL
- 3. (R) — REVERSED DETAIL

NO.	DATE	REVISED	BY
C	30/1/2019	GENERAL REVISED	
B	17/11/2018	GENERAL REVISED	
A	15/10/2018	GENERAL REVISED	

JOB NO. : J-837

PROJECT :
 URA KWUN TONG TOWN CENTRE
 REDEVELOPMENT (AREA 2 & 3) AT
 NKIL 6514, KWUN TONG, KWLOON

TITLE :
 PART ELEVATION
 OF GLASS CLADDING
 AT TOWER 5

DATE : 04-JUL-18 SCALE : 1:60 (A1)

DRAWN BY : ASING CHECKED BY : -

美特鋁質有限公司
 MIDI ALUMINUM FABRICATOR LTD.
 Units 6-8, Sunray Industrial Centre, 1/F
 610 Cha Kwo Ling Road, Kowloon
 Tel: 23489211-4 Fax: (852) 2727666

DWG NO. : JB37-GC-2501 REV. : C