



工程指示 / 要求簡箋(E.I.)

工程指示編號：EI / 1578 / 20

修改版次：-

工程編號：J - 837

工程名稱：觀塘裕民坊

工程項目：百葉 6/F(Dog House, PD, 垃圾房)

收件人：生統 / 永林

發件人：Eric Liu

日期：10/03/2020

□要求提供 / □確認 事項：

- | | | |
|------------------------------------|-------------------------------------|-------------------------------|
| <input type="checkbox"/> 初步鋁料 B.M. | <input type="checkbox"/> 加工拆圖，然後生產 | <input type="checkbox"/> 尺寸表 |
| <input type="checkbox"/> 正式鋁料 B.M. | <input type="checkbox"/> 技術上資料 / 指示 | <input type="checkbox"/> 報價 |
| <input type="checkbox"/> 配件 B.M. | <input type="checkbox"/> 樣辦或貨品說明書 | <input type="checkbox"/> 分判合約 |
| <input type="checkbox"/> 其他：_____ | | |

內容：

請按加工圖生產百葉送地盤安裝6/F 位置，TL35, TL34, TL20, TL32, TL37T1-TL35 及 T3-TL37，請優先生產謝謝！永林：請覆核加工圖請在 2020/ 03 / 13 前完成上列要求。生統：請查倉存料是否夠用

附：1 頁+ 5 頁加工圖，3 頁位置圖

以上項目為：

- | | | |
|---------------------------------|--------------------------------------|--------------------------------|
| <input type="checkbox"/> 原合約工程包 | <input type="checkbox"/> 原合約工程加 / 減賬 | <input type="checkbox"/> 新工程報價 |
|---------------------------------|--------------------------------------|--------------------------------|

原因：-

分發東莞各部門：

- | | | | | | | | |
|---------------------------------|---|---|---|------------------------------|------------------------------|--------------------------------|------------------------------|
| <input type="checkbox"/> 生產技術總監 | <input checked="" type="checkbox"/> 連附件 | <input checked="" type="checkbox"/> 技術部 | <input checked="" type="checkbox"/> 連附件 | <input type="checkbox"/> 生產部 | <input type="checkbox"/> 連附件 | <input type="checkbox"/> 機械設計部 | <input type="checkbox"/> 連附件 |
| <input type="checkbox"/> 採購部 | <input type="checkbox"/> 連附件 | <input checked="" type="checkbox"/> 生產統籌部 | <input checked="" type="checkbox"/> 連附件 | <input type="checkbox"/> 會計部 | <input type="checkbox"/> 連附件 | <input type="checkbox"/> 報關組 | <input type="checkbox"/> 連附件 |
| <input type="checkbox"/> 質檢部 | <input type="checkbox"/> 連附件 | <input type="checkbox"/> 會計部 | <input type="checkbox"/> 連附件 | <input type="checkbox"/> 報關組 | <input type="checkbox"/> 連附件 | <input type="checkbox"/> 其他 | <input type="checkbox"/> 連附件 |

分發香港各部門：

- | | | | | | | | |
|------------------------------|------------------------------|-------------------------------|------------------------------|------------------------------|------------------------------|---|---|
| <input type="checkbox"/> 行政部 | <input type="checkbox"/> 連附件 | <input type="checkbox"/> 會計部 | <input type="checkbox"/> 連附件 | <input type="checkbox"/> 統籌部 | <input type="checkbox"/> 連附件 | <input checked="" type="checkbox"/> 工程部地盤科文 | <input checked="" type="checkbox"/> 連附件 |
| <input type="checkbox"/> 採購部 | <input type="checkbox"/> 連附件 | <input type="checkbox"/> QS 部 | <input type="checkbox"/> 連附件 | <input type="checkbox"/> 維修部 | <input type="checkbox"/> 連附件 | <input type="checkbox"/> 其他 | <input type="checkbox"/> 連附件 |


傳遞編號：

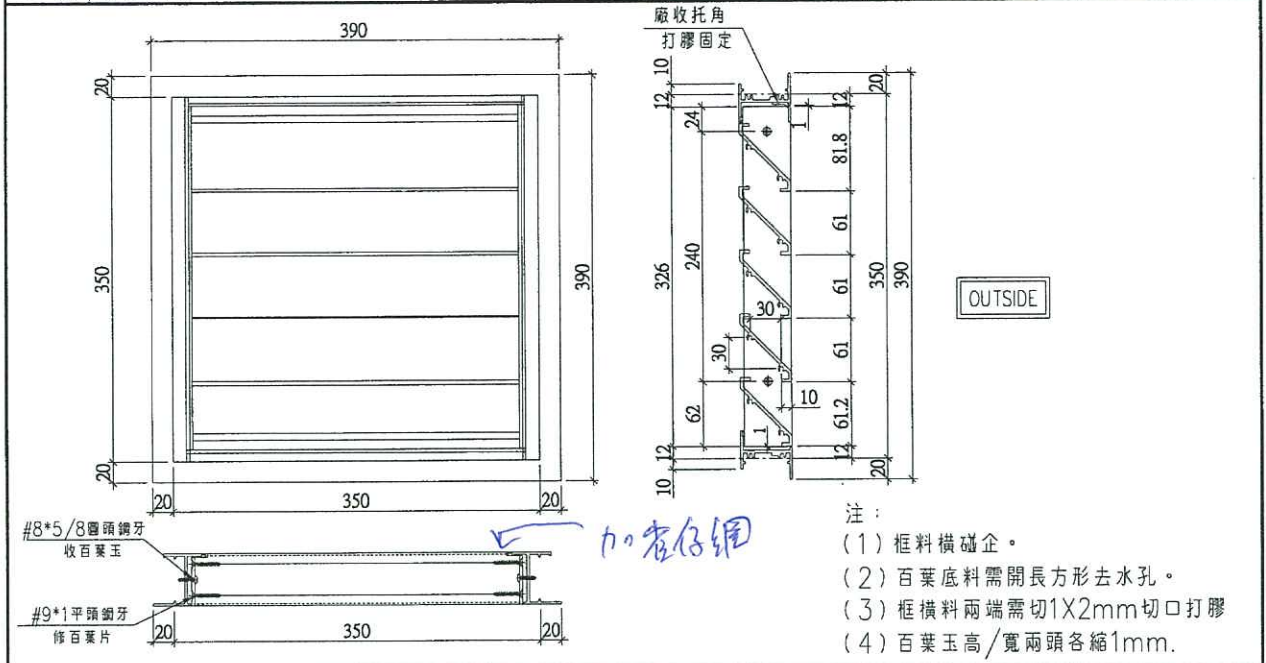
HK 0317 / 20

發件人簽署：

項目經理簽署：

6/F						dwg		現場		
Status	Tower	Lourve Mark	Floor	Quantity	Location	W	H	W	H	
OK 按圖生產	T1	TL-35	6/F	1	Dog House	600	250	640	230	✓
OK 按圖生產	T1	TL-34	6/F	4	Dog House	650	250	650	250	✓
未有孔	T1	TL-5	6/F	1	Refuse	300	300	未有孔	未有孔	EID296板
已裝	T2	5A	6/F	1	Refuse	300	250	未有孔	未有孔	
已裝	T2	15A	6/F	1	P.D.	400	400	未有孔	未有孔	
OK 按圖生產	T2	TL-20	6/F	1	P.D.	400	400	400	400	✓
未有孔	T2	TL-31	6/F	1	Dog House	1300	250	未有孔	未有孔	
OK 按圖生產	T2	TL-32	6/F	3	Dog House	650	250	650	250	✓
已裝	T3	TL-02	6/F	1	P.D.	550	250	已裝好		
已裝	T3	T3PF-1	6/F	1	P.D.	400	400	已裝好		
未有孔	T3	TL-36	6/F	1	Dog House	1600	250	未有孔	未有孔	
OK 按圖生產	T3	TL-37	6/F	2	Dog House	350	250	350	250	✓
已裝	T3	T3PF-6f/3	6/F	1	P.D.	400	400	已裝好		
已裝	T3	TL-05	6/F	1	Refuse	300	300	已裝好		
未有孔	T5	TL-38	6/F	2	Dog House	450	250	未有孔	未有孔	
已裝	T5	TL-05	6/F	1	Refuse	300	300	已裝好		
已裝	T5	T5PF/2-2	6/F	1	P.D.	400	400	已裝好		
已裝	T5	T5PF/2-3	6/F	1	P.D.	400	400	已裝好		
未打作	T5	TL-33	6/F	1	Dog House	1600	250	未打作	未打作	

 美特鋁質 有限公司 MIDI Aluminium Fabricator Ltd.	工程號	J837	拆圖	陳俊賢	2019.01.08
	地盤	觀塘裕民坊	復核	謝永林	2019.02.27
名稱	後裝百葉	顏色	EC-DG-S332054 (3塗)	批准	

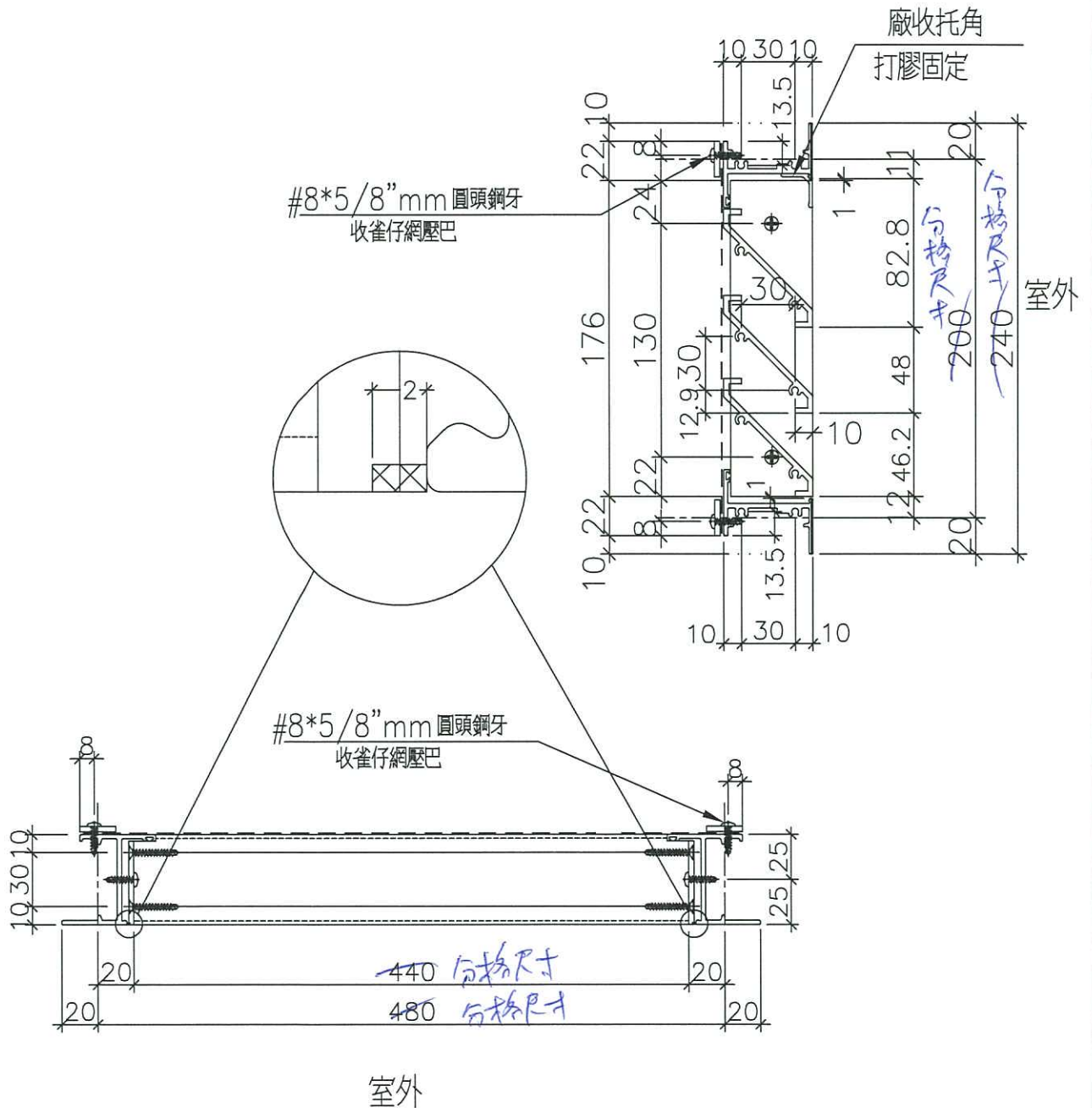


序號	料號	名稱	出苟	長度 (mm)	支/幅	加工說明	加工細則				
1	X845990	邊企料		390.0	2		頂留	20			mm
2	X846400	窗框頂橫	避位	324	1		底留	20			mm
3	X846400	窗框底橫	避位	324	1		企料底部開避位				mm
							底橫料防水巴鋸去				mm
							水線孔在企料-----	頂	底		
							安裝扣碼				
							多點鎖芯型號:				
							手柄型號:				
							限位撐型號:				
							T窗最大的開度:				
							窗玉搭位數:				
							窗款	寬度	高度	隻/幅	撐長
							大圖版次		本圖版		
									日期		
							窗号	寬度 (W)	高度 (H)	幅数	樓層數
							T2J-PD-T6-TL	350	350	82	2F-53F
							TL-20	350	350	1	T2-6/F PD位
							圖號	T2J-PD-T6-TL TL-20			

百葉玉用料

序號	料號	名稱	出苟	長度 (mm)	支/幅	加工說明
1	ME0002318	百葉玉鋁巴	避位	326.0	2	
2	X843331	百葉片	避位	310.0	5	
3	X844890	百葉托角	直口	310.0	1	

 美特鋁質 有限公司 MIDI Aluminium Fabricator Ltd.	位置		
	TL-28		
工程號	J837	地盤	觀塘裕民坊



後裝百葉(雀仔網)

名稱	後裝百葉節點示意圖	制圖	鞠章芳	2020.3.02	修改		
材料	—	復核	謝永林	2020.3.04	日期		
顏色	EC-DG-S332054 (3塗)	批准	Jason		圖號	837-WB30	



5 TYS
36 +3
35

30 SEP

CLIENT: 信和置業有限公司
Sino Land Company Limited

ARCHITECT: WONG TUNG & PARTNERS LIMITED
ARCHITECTS & PLANNERS
WT

MAIN CONTRACTOR: CR Construction Company Limited

STRUCTURAL ENGINEER: AE & M

FACADE CONSULTANT:

NOTE:
1. ALL DIMENSIONS ARE IN MM
2. ALL ELEVATIONS ARE VIEWED FROM OUTSIDE
3. ALL DIMENSIONS TO BE VERIFIED ON SITE BEFORE FABRICATION

LEGEND:
 (XX) --- DETAIL MARK NO.
 (XXX) --- REFER SHEET NO.
 1. F.F.L. --- FINISHED FLOOR LEVEL
 2. S.F.L. --- STRUCTURAL FLOOR LEVEL
 3. (R) --- REVERSED DETAIL

6/F

NO.	DATE	BY	CHKD	APPD
1	20/6/2011	BY: SHUN-KEI WONG		
2	22/12/2011	BY: SHUN-KEI WONG		
3	1/11/12	BY: SHUN-KEI WONG		

JOB NO: J-657

PROJECT: LURA KWUN TUNG TOWN CENTRE REDEVELOPMENT (AREA 2 & 3) AT NO. 657A, KWUN TUNG, KOWLOON

TITLE: FULL PLAN LAYOUT (FOR THE 6/F FLOOR PLAN)

DATE: 09-JUL-15 SCALE: 1/200

DRAWN BY: zeng CHECKED BY: DA

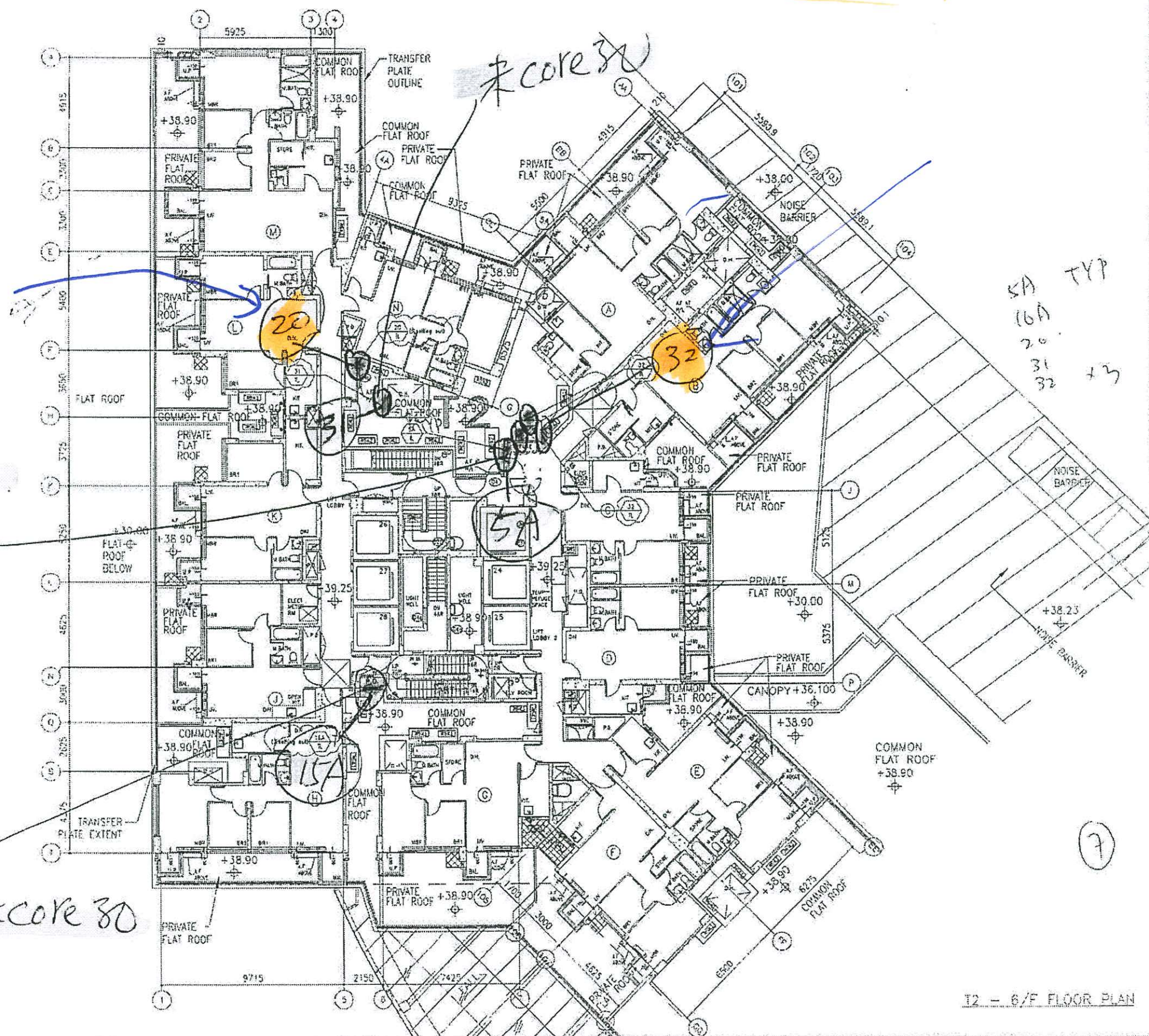
MIDI ARCHITECTURE PAPERWORK LTD.
 Unit 8-9, Sunny Industrial Centre, 117 810 Cheong Cheong Street, Kowloon
 Tel: 24992111 Fax: 24992112

1/65 700 1/472-1/41-1/101 1/10-8

垃圾房百页
米core孔

T1 - 6/F FLOOR PLAN

2



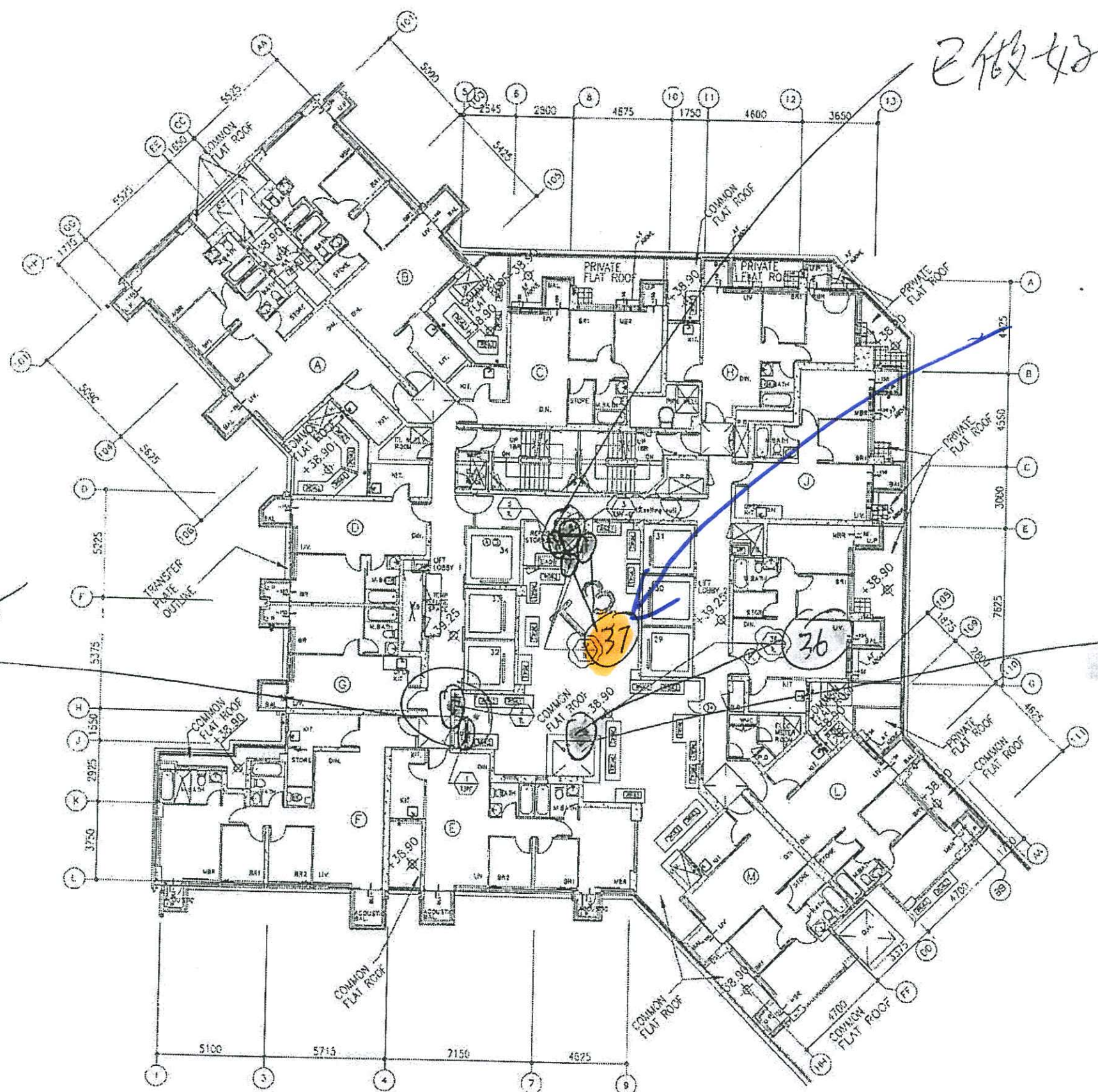
垃圾房
 core 30
 ST1
 J.PD core 30

5A TYP
 16A
 20
 31
 32
 +3

6/F REF																	
CLIENT 信和置業有限公司 Sino Land Company Limited																	
ARCHITECT WONG TUNG & PARTNERS LIMITED ARCHITECTS & PLANNERS																	
MAIN CONTRACTOR CR Construction Company Limited																	
STRUCTURAL ENGINEER AECOM																	
FACADE CONSULTANT																	
NOTE 1. ALL DIMENSIONS ARE IN MM 2. ALL ELEVATIONS ARE VIEWED FROM D TO E 3. ALL DIMENSIONS TO BE CHECKED ON SITE BEFORE CONSTRUCTION																	
LEGEND DETAIL MARK NO. REFER SHEET NO. 1 FFL --- FINISHED FLOOR LEVEL 2 SFL --- STRUCTURAL FLOOR LEVEL 3 --- REVERSED DETAIL																	
<table border="1"> <tr> <td>1</td> <td>2</td> <td>3</td> <td>4</td> </tr> <tr> <td>1</td> <td>2</td> <td>3</td> <td>4</td> </tr> <tr> <td>1</td> <td>2</td> <td>3</td> <td>4</td> </tr> <tr> <td>1</td> <td>2</td> <td>3</td> <td>4</td> </tr> </table>		1	2	3	4	1	2	3	4	1	2	3	4	1	2	3	4
1	2	3	4														
1	2	3	4														
1	2	3	4														
1	2	3	4														
JOB NO. J-837																	
PROJECT URBAN KOWLOON TOWN CENTRE REDEVELOPMENT (AREA 2 & 3) AT 44/45 D'ARCY ROAD, KOWLOON																	
TITLE FLOOR PLAN LAYOUT (REFER TO 6/F FLOOR PLAN)																	
DATE: 09-JUL-18	SCALE: 1:200																
DRAWN BY: Zeng	CHECKED BY: GW																
英特銘製有限公司 MIDI ARCHITECTURAL ENGINEERING 11/F, 514, SANGHVI INDUSTRIAL CENTRE, 1/F 119, CHEE KEE LING ROAD, HONG KONG TEL: 24241111-4 FAX: 24241111-22222																	
END NO. 13/17-AL-5001	45																

T2 - 6/F FLOOR PLAN

33



已做好

已做好

2
1 THE TRY
3 FIRE
4 TR
36

未core

6/F

6/F REF

CLIENT: 信和置業有限公司 Sino Land Company Limited

ARCHITECT: WONG TUNG & PARTNERS LIMITED ARCHITECTS & PLANNERS

MAIN CONTRACTOR: CR Construction Company Limited

STRUCTURAL ENGINEER: AEM

PACKAGE CONSULTANT

NOTE:
1. ALL DIMENSIONS ARE IN mm
2. ALL ELEVATIONS ARE VIEWED FROM OUTSIDE
3. ALL DIMENSIONS TO BE VERIFIED ON SITE BEFORE FABRICATION

LEGEND:
 (X1) DETAIL MARK NO.
 (X2) AFTER SHEET NO.
 1. F.F.L. -- FINISHED FLOOR LEVEL
 2. S.F.L. -- STRUCTURAL FLOOR LEVEL
 3. (R) -- REVERSED DETAIL

1	20/10/10	BY DESIGN WORK	01/10
2	21/10/10	BY DESIGN WORK	01/10
3	22/10/10	BY DESIGN WORK	01/10
4	23/10/10	BY DESIGN WORK	01/10
5	24/10/10	BY DESIGN WORK	01/10

JOB NO: J-837

PROJECT: URA HWIN TONG TOWN CENTRE REDEVELOPMENT (AREA 2 & 3) AT NO.1 6514, HWIN TONG, KOWLOON

TITLE: FULL FLOOR LAYOUT (REF TO 5/F FLOOR PLAN)

DATE FOR ISSUE: 15/10/10
SCALE: 1:200

DESIGNED BY: JZG
CHECKED BY: JZG

MIDI 美特經貿有限公司
MIDI ALUMINIUM FABRICATOR LTD.
Units 6-8, Sunny Industrial Centre, 1/F
610 Ona Poo Ling Road, Kowloon
Tel: 23492211-4 Fax: 23227266

DWG NO: J837-PL-301 REV: 2

13 - 6/F FLOOR PLAN

7



B.D. REF :

CLIENT :
 信和置業有限公司
 Sino Land Company Limited

ARCHITECT :
 WONG TUNG & PARTNERS LIMITED
 ARCHITECTS & PLANNERS

MAIN CONTRACTOR :
 CR Construction Company Limited

STRUCTURAL ENGINEER :
 AEM

FAÇADE CONSULTANT:

NOTE:
 1. ALL DIMENSIONS ARE IN mm.
 2. ALL ELEVATIONS ARE VIEWED FROM OUTSIDE.
 3. ALL DIMENSIONS TO BE VERIFIED ON SITE BEFORE FABRICATION.

LEGEND:
 X1 --- DETAIL MARK NO.
 X001 --- REFER SHEET NO.

1. F.F.L. --- FINISHED FLOOR LEVEL
 2. S.F.L. --- STRUCTURAL FLOOR LEVEL
 3. (B) --- REVERSED DETAIL

B	2019/9/27	BY GENERAL MODIFY	Zeng
A	2019/2/20	BY GENERAL MODIFY	Zeng
NO.	DATE	REVISED	BY

JOB NO. : J-837

PROJECT :
 URA KWUN TONG TOWN CENTRE
 REDEVELOPMENT (AREA 2 & 3) AT
 NKIL 6514, KWUN TONG, KOWLOON

TITLE :
 FULL PLAN LAYOUT
 (FOR T1 6/F FLOOR PLAN)

DATE : 09-JUL-18 SCALE : 1:200

DRAWN BY : Zeng CHECKED BY : DW

美特鋁質有限公司
 MIDI ALUMINIUM FABRICATOR LTD.
 Units 6-8, Sunray Industrial Centre, 1/F
 610 Cha Kwo Ling Road, Kowloon
 Tel: 23489211-4 Fax: (852) 27727666

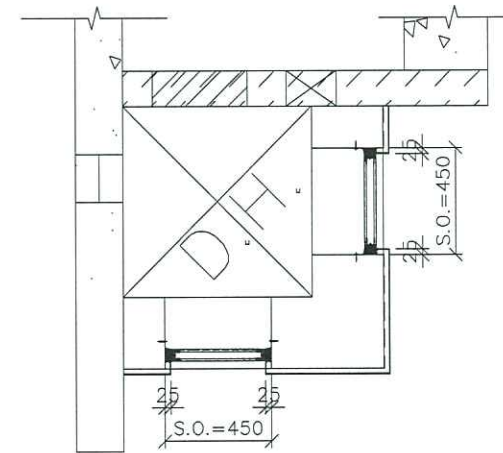
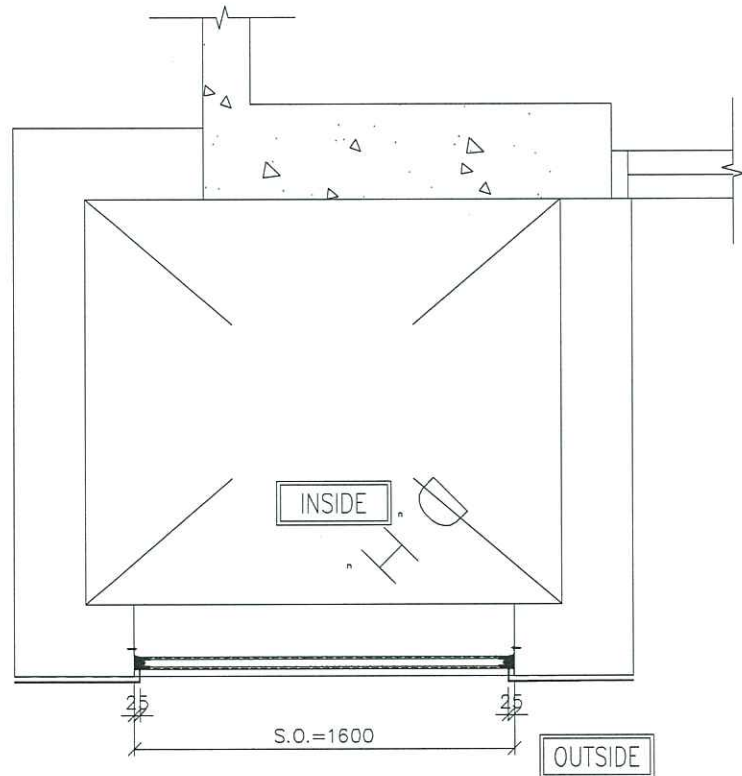
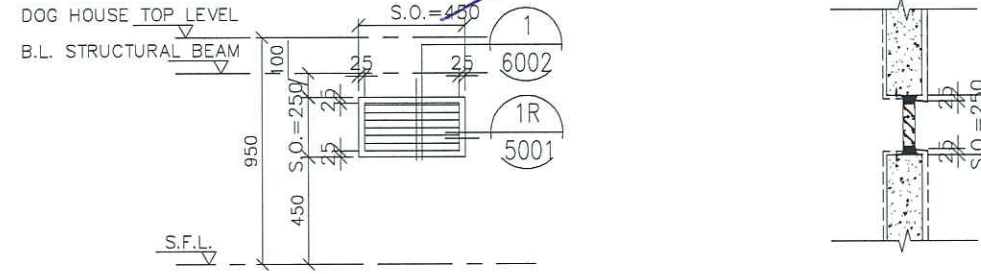
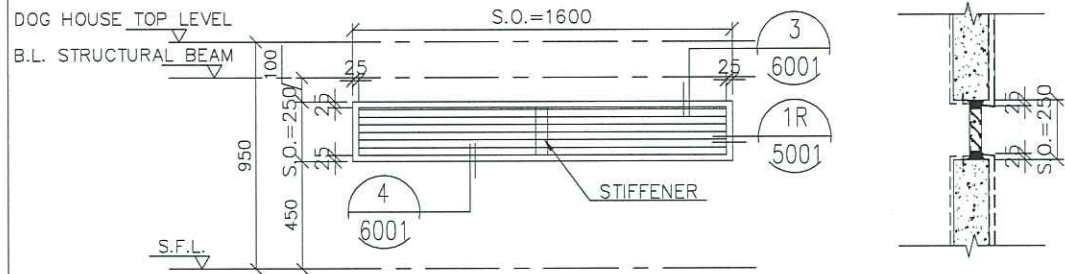
DWG NO. : J837-IAL-3101 REV. : B

T1 - 6/F FLOOR PLAN



Tower 1 Dog House Layout

ELEVATION



B.D. REF :

CLIENT :

信和置業有限公司
Sino Land Company Limited

ARCHITECT :

WONG TUNG & PARTNERS LIMITED
ARCHITECTS & PLANNERS

MAIN CONTRACTOR :

CR Construction Company Limited

STRUCTURAL ENGINEER :

AECOM

FACADE CONSULTANT:

NOTE :

1. ALL DIMENSIONS ARE IN mm.
2. ALL ELEVATIONS ARE VIEWED FROM OUTSIDE.
3. ALL DIMENSIONS TO BE VERIFIED ON SITE BEFORE FABRICATION.

LEGEND :

- X1 --- DETAIL MARK NO.
- X001 --- REFER SHEET NO.
- 1. F.F.L. -- FINISHED FLOOR LEVEL
- 2. S.F.L. -- STRUCTURAL FLOOR LEVEL
- 3. (Z) -- REVERSED DETAIL

NO.	DATE	REVISED	BY

JOB NO. : J-837

PROJECT :
URA KWUN TONG TOWN CENTRE
REDEVELOPMENT (AREA 2 & 3) AT
NKIL 6514, KWUN TONG, KOWLOON

TITLE :
ALUM. LOUVER SCHEDULE

DATE : 09-JUL-18 SCALE : 1:30

DRAWN BY : Zeng CHECKED BY : DW

美特鋁質有限公司
MIDI ALUMINIUM FABRICATOR LTD.
Units 6-8, Sunray Industrial Centre, 1/F
610 Cha Kwo Ling Road, Kowloon
Tel:23489211-4 Fax:(852)27727666

DWG NO. : JB37-IAL-2025 REV. : -

WINDOW MARK

36
TL

SECTION : 50mm ALUM. SECTION

QTY. 1 NOS.

LOCATION : T3 DOG HOUSE AT 6F

REMARK :

37
TL

SECTION : 50mm ALUM. SECTION

QTY. 2 NOS.

LOCATION : T3 DOG HOUSE AT 6F

73-DH-6



B.D. REF :

CLIENT :

信和置業有限公司
Sino Land Company Limited

ARCHITECT :

WONG TUNG & PARTNERS LIMITED
ARCHITECTS & PLANNERS



MAIN CONTRACTOR :

CR Construction Company Limited

STRUCTURAL ENGINEER :



FACADE CONSULTANT:

NOTE :

1. ALL DIMENSIONS ARE IN mm.
2. ALL ELEVATIONS ARE VIEWED FROM OUTSIDE.
3. ALL DIMENSIONS TO BE VERIFIED ON SITE BEFORE FABRICATION.

LEGEND :

- (X1) --- DETAIL MARK NO.
- (X001) --- REFER SHEET NO.

1. F.F.L. --- FINISHED FLOOR LEVEL
2. S.F.L. --- STRUCTURAL FLOOR LEVEL
3. (B) --- REVERSED DETAIL

C	2019/9/27	BY GENERAL MODIFY	Zeng
B	2019/2/20	BY GENERAL MODIFY	Zeng
A	2018/12/10	BY GENERAL MODIFY	Zeng
NO.	DATE	REVISED	BY

JOB NO. : J-837

PROJECT :
URA KWUN TONG TOWN CENTRE
REDEVELOPMENT (AREA 2 & 3) AT
NKIL 6514, KWUN TONG, KOWLOON

TITLE :

FULL PLAN LAYOUT
(FOR T3 6/F FLOOR PLAN)

DATE : 09-JUL-18 SCALE : 1:200

DRAWN BY : Zeng CHECKED BY : DW

美特鋁質有限公司
MIDI ALUMINIUM FABRICATOR LTD.

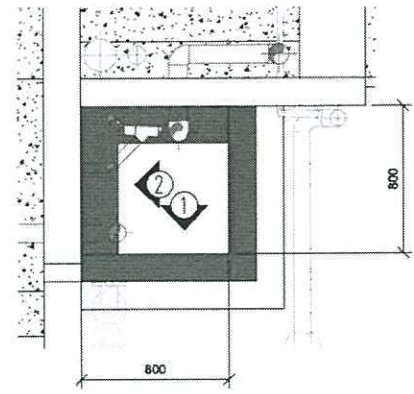
Units 6-8, Sunray Industrial Centre, 1/F
610 Cha Kwo Ling Road, Kowloon
Tel: 23489211-4 Fax: (852) 27727666

DWG NO. : J837-IAL-3301 REV. : C

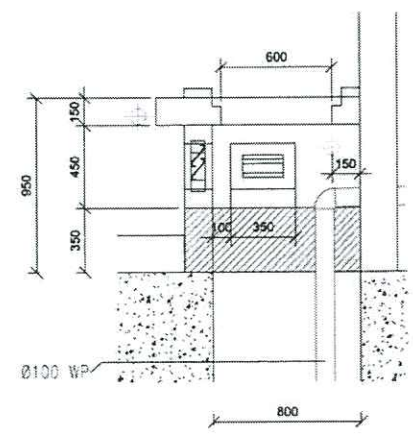
T3 - 6/F FLOOR PLAN

LEVEL	MARK
6/F	DH-T3-6

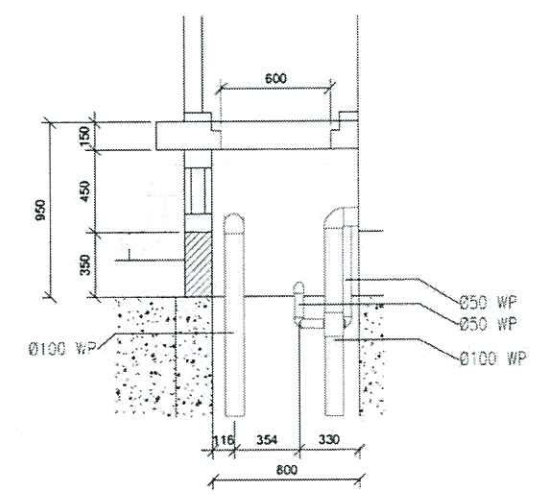
- NOTES:
- THIS DRAWING IS SUBMITTED UNDER CDP NO.
 - TRADE OF SERVICES:
 - CDP BY HVAC
 - RP BY HVAC
 - CWP BY PD
 - HWP BY PD
 - HWRP BY PD
 - TWP BY PD
 - SWP BY PD
 - WP BY PD
 - VP BY PD
 - RWP BY PD
 - CDP BY PD
 - TG
 - FS
 - EL
 - STEEL MESH



DH-6 LAYOUT



VIEW 1



VIEW 2

REFERENCE DRAWING	
ARCHITECTURAL DRAWING	FRAMING DRAWING
REVISION NO.	REVISION NO.
DATE	DATE
BY	BY
CHECKED BY	CHECKED BY
DATE	DATE
PRECAST FACADE DRAWING	
REVISION NO.	REVISION NO.
DATE	DATE
BY	BY
CHECKED BY	CHECKED BY
DATE	DATE

NOTE:
This drawing have been coordinated, reviewed and agreed for submission by the following parties. The following parties have confirmed that their installation have no conflict with each of the other trades and the building structure.

TRADE	COMPANY	NAME	SIGNATURE
HVAC	SHUN HING	M. H. YUEN	
FS	PROFOC	STANLEY WONG	
PD	WONG KWONG KEI	T.L. LAM	
EL	KOON WO	KEN CHAN	
TG	ALPHA IDEA	C.W. WONG VICKY	

CLIENT:
UNION SCORE INVESTMENTS LIMITED

ARCHITECT:
WT
WONG TUNG & PARTNERS LIMITED
ARCHITECTS & PLANNERS
9th Floor, Cityplaza 2, Tsim Sha Tsui, Hong Kong
T: 852 2862 8888 F: 852 2813 1728 www.wongtung.com

STRUCTURAL ENGINEERS:
AECOM

BUILDING SERVICES ENGINEER:
MEINHARDT
Meinhardt (M&E) Ltd. Consulting Engineers
21/F, Times One Hong Kong
100, Queen's Road Central, Hong Kong
Tel: 2862 8888 Fax: 2862 8877

MAIN CONTRACTOR:
OR CONSTRUCTION COMPANY LIMITED

PROJECT:
SUPERSTRUCTURE MAIN CONTRACT (TOWER)
FOR THE PROPOSED RESIDENTIAL DEVELOPMENT
AT N.K.L.L.514 KWUN TONG CENTRE
(DEVELOPMENT AREA 2 & 3)

DRAWING TITLE:
BM E&M DRAWING FOR TOWER 3
6/F DOG HOUSE

DRAWING NO.:	REV.
SHW/BM/DH-T3-6	-
DRAWN BY:	MS. W.S. CH
CHECKED BY:	MR. K.S. WAI
REVIEWED BY:	MR. P.L. TO
SCALE:	1:1000
DATE:	4 JULY 2018

Tower 3

