



工程指示 / 要求簡箋(E.I.)

工程指示編號：EI / 1540 / 19

修改版次：-

工程編號：J - 837

工程名稱：觀塘裕民坊

工程項目：百葉 T1-T5 (27/F) 拆圖資料

收件人：生統 / 永林

發件人：Ant Yeung

日期：28/02/2020

□要求提供 / □確認 事項：

- | | | |
|------------------------------------|-------------------------------------|-------------------------------|
| <input type="checkbox"/> 初步鋁料 B.M. | <input type="checkbox"/> 加工拆圖，然後生產 | <input type="checkbox"/> 尺寸表 |
| <input type="checkbox"/> 正式鋁料 B.M. | <input type="checkbox"/> 技術上資料 / 指示 | <input type="checkbox"/> 報價 |
| <input type="checkbox"/> 配件 B.M. | <input type="checkbox"/> 樣辦或貨品說明書 | <input type="checkbox"/> 分判合約 |
| <input type="checkbox"/> 其他：_____ | | |

內容：

永林：請按附件資料提供拆圖 百葉 T1-T5 (27/F) 加卷仔圖

生統：請覆核鋁料使用量，現有廠存是否足夠本 EI 使用。如不足，永林請給鋁料 BM 仍欠 1 隻(T1) TL-40 大判欠資料。

謝謝！

請在 2020 / 03 / 03 前完成上列要求。

附： 頁

以上項目為：

- | | | |
|---------------------------------|--------------------------------------|--------------------------------|
| <input type="checkbox"/> 原合約工程包 | <input type="checkbox"/> 原合約工程加 / 減賬 | <input type="checkbox"/> 新工程報價 |
|---------------------------------|--------------------------------------|--------------------------------|

原因：-

分發東莞各部門：

- | | | | | | | | | |
|---------------------------------|------------------------------|---|------------------------------|------------------------------|------------------------------|------------------------------|--------------------------------|------------------------------|
| <input type="checkbox"/> 生產技術總監 | <input type="checkbox"/> 連附件 | <input checked="" type="checkbox"/> 技術部 | <input type="checkbox"/> 連附件 | 永林 | <input type="checkbox"/> 生產部 | <input type="checkbox"/> 連附件 | <input type="checkbox"/> 機械設計部 | <input type="checkbox"/> 連附件 |
| <input type="checkbox"/> 採購部 | <input type="checkbox"/> 連附件 | <input type="checkbox"/> 生產統籌部 | <input type="checkbox"/> 連附件 | 梅 | | | | |
| <input type="checkbox"/> 質檢部 | <input type="checkbox"/> 連附件 | <input type="checkbox"/> 會計部 | <input type="checkbox"/> 連附件 | <input type="checkbox"/> 報關組 | <input type="checkbox"/> 連附件 | <input type="checkbox"/> 其他 | 楊榮輝 | <input type="checkbox"/> 連附件 |

分發香港各部門：

- | | | | | | | | | |
|------------------------------|------------------------------|-------------------------------|------------------------------|------------------------------|------------------------------|---|------------------------------|------------------------------|
| <input type="checkbox"/> 行政部 | <input type="checkbox"/> 連附件 | <input type="checkbox"/> 會計部 | <input type="checkbox"/> 連附件 | <input type="checkbox"/> 統籌部 | <input type="checkbox"/> 連附件 | <input checked="" type="checkbox"/> 工程部地盤科文 | <input type="checkbox"/> 連附件 | 炳哥、有哥 |
| <input type="checkbox"/> 採購部 | <input type="checkbox"/> 連附件 | <input type="checkbox"/> QS 部 | <input type="checkbox"/> 連附件 | <input type="checkbox"/> 維修部 | <input type="checkbox"/> 連附件 | <input type="checkbox"/> 其他 | _____ | <input type="checkbox"/> 連附件 |

傳遞編號：

HK 0250 / 20

發件人簽署：

項目經理簽署：

J837 FI 154. 27/F 百葉捲閘 FI 154. HK 0250

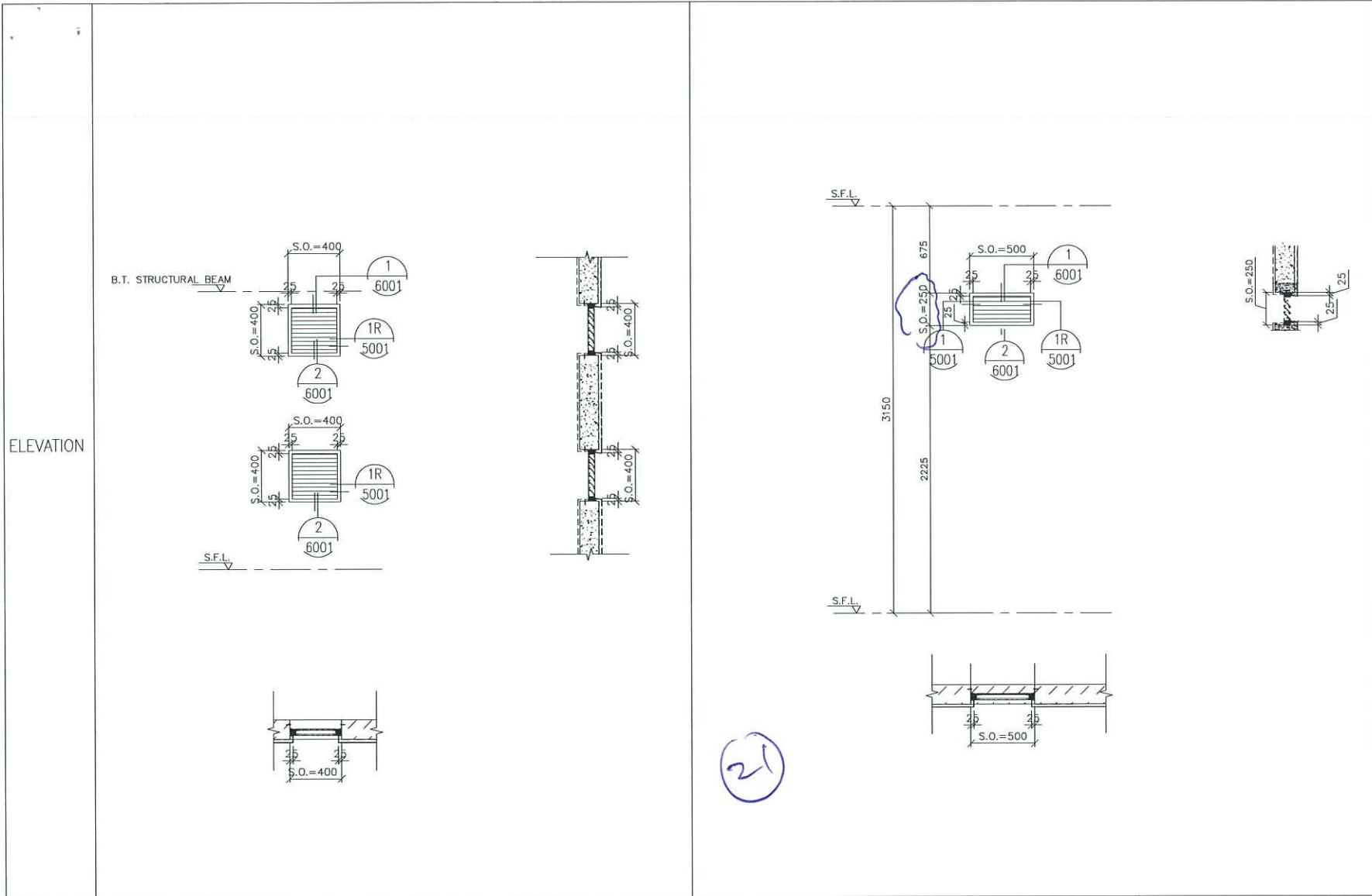
27/F						dwg		現場	
status	Tower	Lourve Mark	Floor	Quantity	Location	W	H	W	H
150-->250 H 按圖生產	T1	TL-22	27/F	1	Stair	500	250	500	150
OK 按圖生產	T1	TL-23	27/F	1	Stair	575	265	575	265
150-->250 H 按圖生產	T1	TL-24	27/F	2	Stair	500	250	500	150
150-->250 H 按圖生產	T1	TL-25	27/F	2	Stair	500	250	500	150
不是Midi百頁	T1	TL-39	27/F	1	Stair	x	x	x	x
GBP 欠資料	T1	TL-40	27/F	1	Stair	欠資料	欠資料	未有孔	未有孔
150-->250 H 按圖生產	T2	TL-21	27/F	1	Stair	500	250	500	150
150-->250 H 按圖生產	T2	TL-26	27/F	3	Stair	500	250	500	150
OK 按圖生產	T3	TL-27	27/F	2	Stair	250	340	250	340
OK 按圖生產	T3	TL-27	27/F	1	Stair	250	340	400	340
150-->250 H 按圖生產	T3	TL-28	27/F	1	Stair	530	250	530	150
OK 按圖生產	T3	TL-29	27/F	1	Stair	250	340	250	340
150-->250 H 按圖生產	T5	TL-21	27/F	2	Stair	500	250	500	150
150-->250 H 按圖生產	T5	TL-25	27/F	1	Stair	500	250	500	150
150-->250 H 按圖生產	T5	TL-30	27/F	2	Stair	900	250	900	150
不是Midi百頁	T5	TL-41	27/F	1	Stair	x	x	x	x
沒有百頁	T1	TL-42	27/F	1	Stair	x	x	x	x
沒有百頁	T3	TL-43	27/F	1	Stair	x	x	x	x
150-->250 H 按圖生產	T5	TL-44	27/F	1	Stair	500	250	450	120

待記

ELEVATION			B.D. REF :																																
			<p>CLIENT : 信和置業有限公司 Sino Land Company Limited</p> <p>ARCHITECT : WONG TUNG & PARTNERS LIMITED ARCHITECTS & PLANNERS WT</p> <p>MAIN CONTRACTOR : CR Construction Company Limited</p> <p>STRUCTURAL ENGINEER : AECOM</p> <p>FACADE CONSULTANT:</p> <p>NOTE : 1. ALL DIMENSIONS ARE IN mm. 2. ALL ELEVATIONS ARE VIEWED FROM OUTSIDE. 3. ALL DIMENSIONS TO BE VERIFIED ON SITE BEFORE FABRICATION.</p> <p>LEGEND : ① — DETAIL MARK NO. ②001 — REFER SHEET NO.</p> <p>1. F.F.L — FINISHED FLOOR LEVEL 2. S.F.L — STRUCTURAL FLOOR LEVEL 3. (R) — REVERSED DETAIL.</p>																																
WINDOW MARK	22 TL	23 TL	<table border="1"> <thead> <tr> <th>NO.</th> <th>DATE</th> <th>REVISION</th> <th>BY</th> </tr> </thead> <tbody> <tr> <td colspan="4">JOB NO. : J-837</td> </tr> <tr> <td colspan="4">PROJECT : URA KWUN TONG TOWN CENTRE REDEVELOPMENT (AREA 2 & 3) AT NKIL 6514, KWUN TONG, KOWLOON</td> </tr> <tr> <td colspan="4">TITLE : ALUM. LOUVER SCHEDULE</td> </tr> <tr> <td colspan="2">DATE : 09-JUL-18</td> <td colspan="2">SCALE : 1:30</td> </tr> <tr> <td colspan="2">DRAWN BY : Zeng</td> <td colspan="2">CHECKED BY : DW</td> </tr> <tr> <td colspan="4"> 美特鋁質有限公司 MIDI ALUMINIUM FABRICATOR LTD. Units 6-8, Sunny Industrial Centre, 1/f 610 Cha Kwo Ling Road, Kowloon Tel:23489211-4 Fax:(852)27727666 </td> </tr> <tr> <td colspan="2">DWG NO. : J837-IAL-2018</td> <td colspan="2">REV. : -</td> </tr> </tbody> </table>	NO.	DATE	REVISION	BY	JOB NO. : J-837				PROJECT : URA KWUN TONG TOWN CENTRE REDEVELOPMENT (AREA 2 & 3) AT NKIL 6514, KWUN TONG, KOWLOON				TITLE : ALUM. LOUVER SCHEDULE				DATE : 09-JUL-18		SCALE : 1:30		DRAWN BY : Zeng		CHECKED BY : DW		 美特鋁質有限公司 MIDI ALUMINIUM FABRICATOR LTD. Units 6-8, Sunny Industrial Centre, 1/f 610 Cha Kwo Ling Road, Kowloon Tel:23489211-4 Fax:(852)27727666				DWG NO. : J837-IAL-2018		REV. : -	
NO.	DATE	REVISION	BY																																
JOB NO. : J-837																																			
PROJECT : URA KWUN TONG TOWN CENTRE REDEVELOPMENT (AREA 2 & 3) AT NKIL 6514, KWUN TONG, KOWLOON																																			
TITLE : ALUM. LOUVER SCHEDULE																																			
DATE : 09-JUL-18		SCALE : 1:30																																	
DRAWN BY : Zeng		CHECKED BY : DW																																	
 美特鋁質有限公司 MIDI ALUMINIUM FABRICATOR LTD. Units 6-8, Sunny Industrial Centre, 1/f 610 Cha Kwo Ling Road, Kowloon Tel:23489211-4 Fax:(852)27727666																																			
DWG NO. : J837-IAL-2018		REV. : -																																	
SECTION :	50mm ALUM. SECTION	50mm ALUM. SECTION																																	
QTY.	1 NOS.	1 NOS.																																	
LOCATION :	T1 STAIRCASE TOP VENT AT 27F	T1 AIR DUCT FOR VENTILATION AT 27F																																	
REMARK :																																			

ELEVATION			<p>B.D. REF :</p> <hr/> <p>CLIENT : 信和置業有限公司 Sino Land Company Limited</p> <p>ARCHITECT : WONG TUNG & PARTNERS LIMITED ARCHITECTS & PLANNERS</p> <p>MAIN CONTRACTOR : CR Construction Company Limited</p> <p>STRUCTURAL ENGINEER : AECOM</p> <p>FACADE CONSULTANT:</p> <hr/> <p>NOTE : 1. ALL DIMENSIONS ARE IN mm. 2. ALL ELEVATIONS ARE VIEWED FROM OUTSIDE. 3. ALL DIMENSIONS TO BE VERIFIED ON SITE BEFORE FABRICATION.</p> <p>LEGEND : — DETAIL MARK NO. — REFER SHEET NO.</p> <p>1. F.F.L.—FINISHED FLOOR LEVEL 2. S.F.L.—STRUCTURAL FLOOR LEVEL 3. (R)—REVERSED DETAIL.</p>
WINDOW MARK			
SECTION :	50mm ALUM. SECTION	50mm ALUM. SECTION	
QTY.	2 NOS.	3 NOS.	
LOCATION :	T1 STAIRCASE TOP VENT AT 27F	T1,T5 STAIRCASE TOP VENT AT 27F	
REMARK :			

NO.	DATE	REVISED	BY
JOB NO. :		J-837	
PROJECT :			
URA KWUN TONG TOWN CENTRE REDEVELOPMENT (AREA 2 & 3) AT NKIL 6514, KWUN TONG, KOWLOON			
TITLE :			
ALUM. LOUVER SCHEDULE			
DATE : 09-JUL-18	SCALE : 1:30		
DRAWN BY : Zeng	CHECKED BY : DW		
美特鋁質有限公司 Units 6-8, Sunray Industrial Centre, 1/f 610 Cha Kwo Ling Road, Kowloon Tel:23489211-4 Fax:(852)27727666			
DWG NO. : JB37-IAL-2019	REV. : -		



WINDOW MARK		
SECTION :	50mm ALUM. SECTION	50mm ALUM. SECTION
QTY.	2 NOS.	3 NOS. (T2 * 1NOS, T5 * 2NOS)
LOCATION :	T2 6F PIPE DUCT AT 6F	T2-T5 STAIRCASE TOP VENT AT 27F
REMARK :		

B.D. REF :

CLIENT :
 信和置業有限公司
 Sino Land Company Limited

ARCHITECT :
 WONG TUNG & PARTNERS LIMITED
 ARCHITECTS & PLANNERS

MAIN CONTRACTOR :
 CR Construction Company Limited

STRUCTURAL ENGINEER :
 AECOM

FAÇADE CONSULTANT:

NOTE :
 1. ALL DIMENSIONS ARE IN mm.
 2. ALL ELEVATIONS ARE VIEWED FROM OUTSIDE.
 3. ALL DIMENSIONS TO BE VERIFIED ON SITE BEFORE FABRICATION.

LEGEND :
 X1 — DETAIL MARK NO.
 200V — REFER SHEET NO.
 1. F.F.L — FINISHED FLOOR LEVEL.
 2. S.F.L — STRUCTURAL FLOOR LEVEL.
 3. — REVERSED DETAIL.

NO.	DATE	REVISION	BY
-----	------	----------	----

JOB NO. : J-837
 PROJECT :
 URA KWUN TONG TOWN CENTRE
 REDEVELOPMENT (AREA 2 & 3) AT
 NKIL 6514, KWUN TONG, KOWLOON

TITLE :
 ALUM. LOUVER SCHEDULE

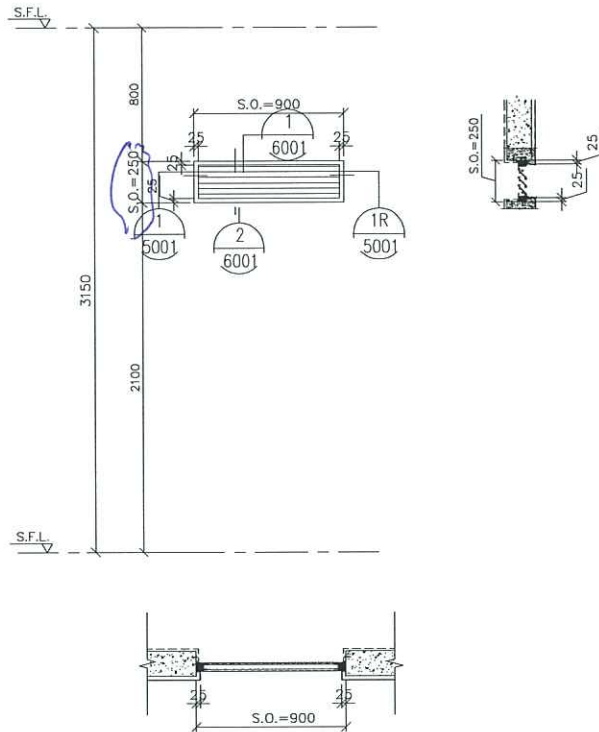
DATE : 09-JUL-18 SCALE : 1:30
 DRAWN BY : Zeng CHECKED BY : DW

美特鋁質有限公司
 MIDI ALUMINIUM FABRICATOR LTD.
 Units 6-8, Surrey Industrial Centre, 1/F
 610 Che Kwo Ling Road, Kowloon
 Tel: 23489211-4 Fax: (852) 27727666

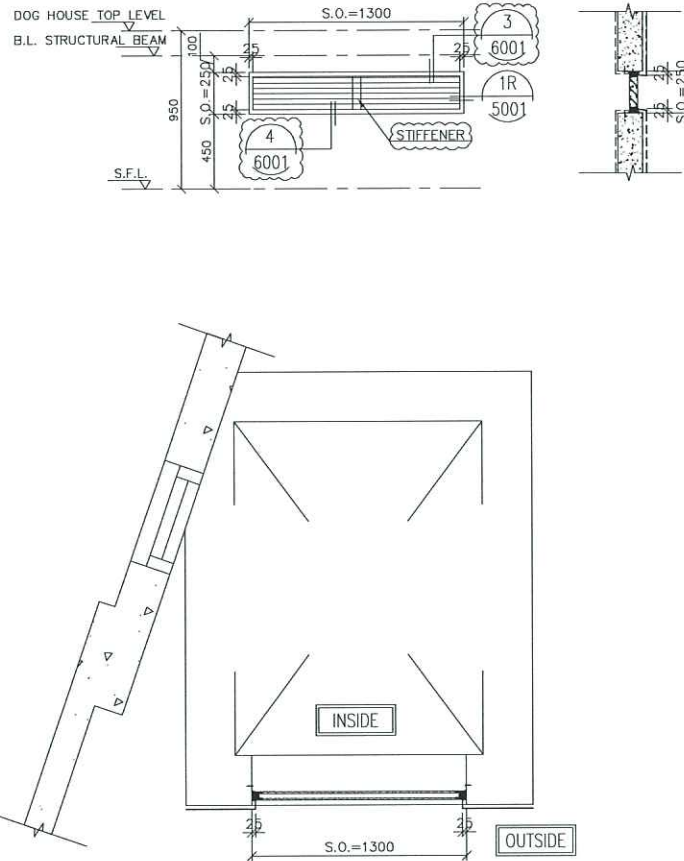
DWG NO. : J837-IAL-2017 REV. : -

ELEVATION			<p>B.D. REF :</p> <hr/> <p>CLIENT : 信和置業有限公司 Sino Land Company Limited</p> <p>ARCHITECT : WONG TUNG & PARTNERS LIMITED ARCHITECTS & PLANNERS</p> <p>MAIN CONTRACTOR : CR Construction Company Limited</p> <p>STRUCTURAL ENGINEER : AECOM</p> <p>FAÇADE CONSULTANT:</p> <p>NOTE : 1. ALL DIMENSIONS ARE IN mm. 2. ALL ELEVATIONS ARE VIEWED FROM OUTSIDE. 3. ALL DIMENSIONS TO BE VERIFIED ON SITE BEFORE FABRICATION.</p> <p>LEGEND : — DETAIL MARK NO. — REFER SHEET NO. 1. F.F.L. — FINISHED FLOOR LEVEL 2. S.F.L. — STRUCTURAL FLOOR LEVEL 3. — REVERSED DETAIL.</p> <table border="1"> <thead> <tr> <th>NO.</th> <th>DATE</th> <th>REVISED</th> <th>BY</th> </tr> </thead> <tbody> <tr> <td colspan="4">JOB NO. : J-837</td> </tr> <tr> <td colspan="4">PROJECT : LURA KWUN TONG TOWN CENTRE REDEVELOPMENT (AREA 2 & 3) AT NKIL 6514, KWUN TONG, KOWLOON</td> </tr> <tr> <td colspan="4">TITLE : ALUM. LOUVER SCHEDULE</td> </tr> <tr> <td colspan="2">DATE : 09-JUL-18</td> <td colspan="2">SCALE : 1:30</td> </tr> <tr> <td colspan="2">DRAWN BY : Zeng</td> <td colspan="2">CHECKED BY : DW</td> </tr> <tr> <td colspan="4"> 美特鋁質有限公司 MIDI ALUMINUM FABRICATOR LTD. Units 6-8, Sunray Industrial Centre, 1/F 610 Cha Kwo Ling Road, Kowloon Tel: 23489211-4 Fax: (852) 27727666 </td> </tr> <tr> <td colspan="2">DWG NO. : JB37-IAL-2020</td> <td colspan="2">REV. : -</td> </tr> </tbody> </table>	NO.	DATE	REVISED	BY	JOB NO. : J-837				PROJECT : LURA KWUN TONG TOWN CENTRE REDEVELOPMENT (AREA 2 & 3) AT NKIL 6514, KWUN TONG, KOWLOON				TITLE : ALUM. LOUVER SCHEDULE				DATE : 09-JUL-18		SCALE : 1:30		DRAWN BY : Zeng		CHECKED BY : DW		美特鋁質有限公司 MIDI ALUMINUM FABRICATOR LTD. Units 6-8, Sunray Industrial Centre, 1/F 610 Cha Kwo Ling Road, Kowloon Tel: 23489211-4 Fax: (852) 27727666				DWG NO. : JB37-IAL-2020		REV. : -	
	NO.	DATE	REVISED	BY																															
	JOB NO. : J-837																																		
	PROJECT : LURA KWUN TONG TOWN CENTRE REDEVELOPMENT (AREA 2 & 3) AT NKIL 6514, KWUN TONG, KOWLOON																																		
TITLE : ALUM. LOUVER SCHEDULE																																			
DATE : 09-JUL-18		SCALE : 1:30																																	
DRAWN BY : Zeng		CHECKED BY : DW																																	
美特鋁質有限公司 MIDI ALUMINUM FABRICATOR LTD. Units 6-8, Sunray Industrial Centre, 1/F 610 Cha Kwo Ling Road, Kowloon Tel: 23489211-4 Fax: (852) 27727666																																			
DWG NO. : JB37-IAL-2020		REV. : -																																	
WINDOW MARK																																			
SECTION :	50mm ALUM. SECTION	50mm ALUM. SECTION																																	
QTY.	3 NOS.	3 NOS.																																	
LOCATION :	T2 STAIRCASE TOP VENT AT 27F	T3 STAIRCASE TOP VENT AT 27F																																	
REMARK :																																			

ELEVATION



30



31

WINDOW MARK

30 TL

31 TL

SECTION : 50mm ALUM. SECTION

50mm ALUM. SECTION

QTY. 2 NOS.

1 NOS.

LOCATION : T5 AIR DUCT FOR VENTILATION AT 27F

T2 DOG HOUSE AT 6F

REMARK :

B.D. REF :

CLIENT : 信和置業有限公司
Sino Land Company Limited

ARCHITECT : WONG TUNG & PARTNERS LIMITED
ARCHITECTS & PLANNERS

MAIN CONTRACTOR : CR Construction Company Limited

STRUCTURAL ENGINEER : AECOM

FACADE CONSULTANT :

NOTE :
1. ALL DIMENSIONS ARE IN mm.
2. ALL ELEVATIONS ARE VIEWED FROM OUTSIDE.
3. ALL DIMENSIONS TO BE VERIFIED ON SITE BEFORE FABRICATION.

LEGEND :

31 — DETAIL MARK NO.
3001 — REFER SHEET NO.

1. F.F.L. — FINISHED FLOOR LEVEL
2. S.F.L. — STRUCTURAL FLOOR LEVEL
3. (R) — REVERSED DETAIL

NO.	DATE	REVISION	BY

JOB NO. : J-837
PROJECT : URA KWUN TONG TOWN CENTRE
REDEVELOPMENT (AREA 2 & 3) AT
NKIL 6514, KWUN TONG, KOWLOON

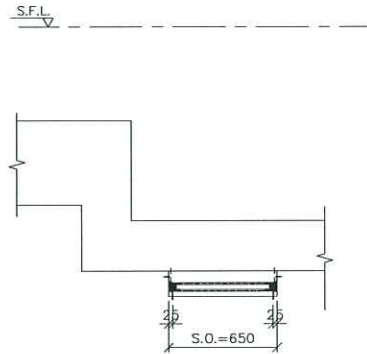
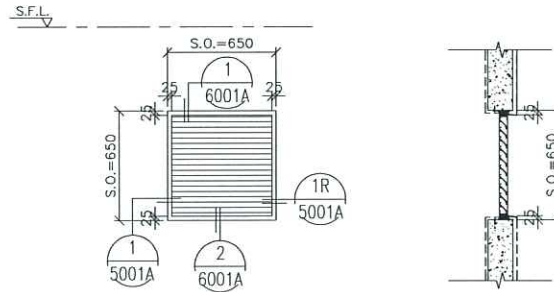
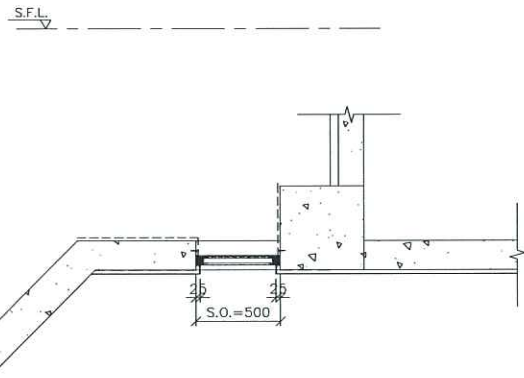
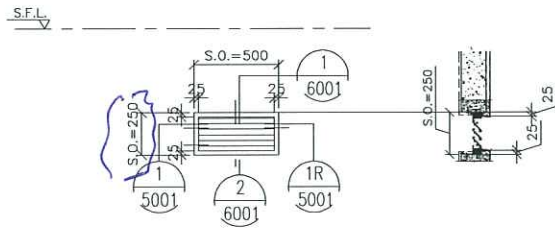
TITLE : ALUM. LOUVER SCHEDULE

DATE : 09-JUL-18 SCALE : 1:30
DRAWN BY : Zeng CHECKED BY : DW

美特鋁質有限公司
MIDI ALUMINIUM FABRICATOR LTD.
Units 6-8, Sunny Industrial Centre, 1/F
610 Cha Kwo Ling Road, Kowloon
Tel: 3489211-4 Fax: (852) 7727666

DWG NO. : J837-IAL-2022 REV. : -

ELEVATION



B.D. REF :

CLIENT :
 信和置業有限公司
 Sino Land Company Limited

ARCHITECT :
 WONG TUNG & PARTNERS LIMITED
 ARCHITECTS & PLANNERS

MAIN CONTRACTOR :
 CR Construction Company Limited

STRUCTURAL ENGINEER :
 AECOM

FACADE CONSULTANT:

NOTE :
 1. ALL DIMENSIONS ARE IN mm.
 2. ALL ELEVATIONS ARE VIEWED FROM OUTSIDE.
 3. ALL DIMENSIONS TO BE VERIFIED ON SITE BEFORE FABRICATION.

LEGEND :
 -- DETAIL MARK NO.
 -- REFER SHEET NO.

1. F.F.L. -- FINISHED FLOOR LEVEL
 2. S.F.L. -- STRUCTURAL FLOOR LEVEL
 3. (R) -- REVERSED DETAIL

NO.	DATE	REVISION	BY
-----	------	----------	----

JOB NO. : J-837
 PROJECT :
 URA KWUN TONG TOWN CENTRE
 REDEVELOPMENT (AREA 2 & 3) AT
 NKIL 6514, KWUN TONG, KOWLOON

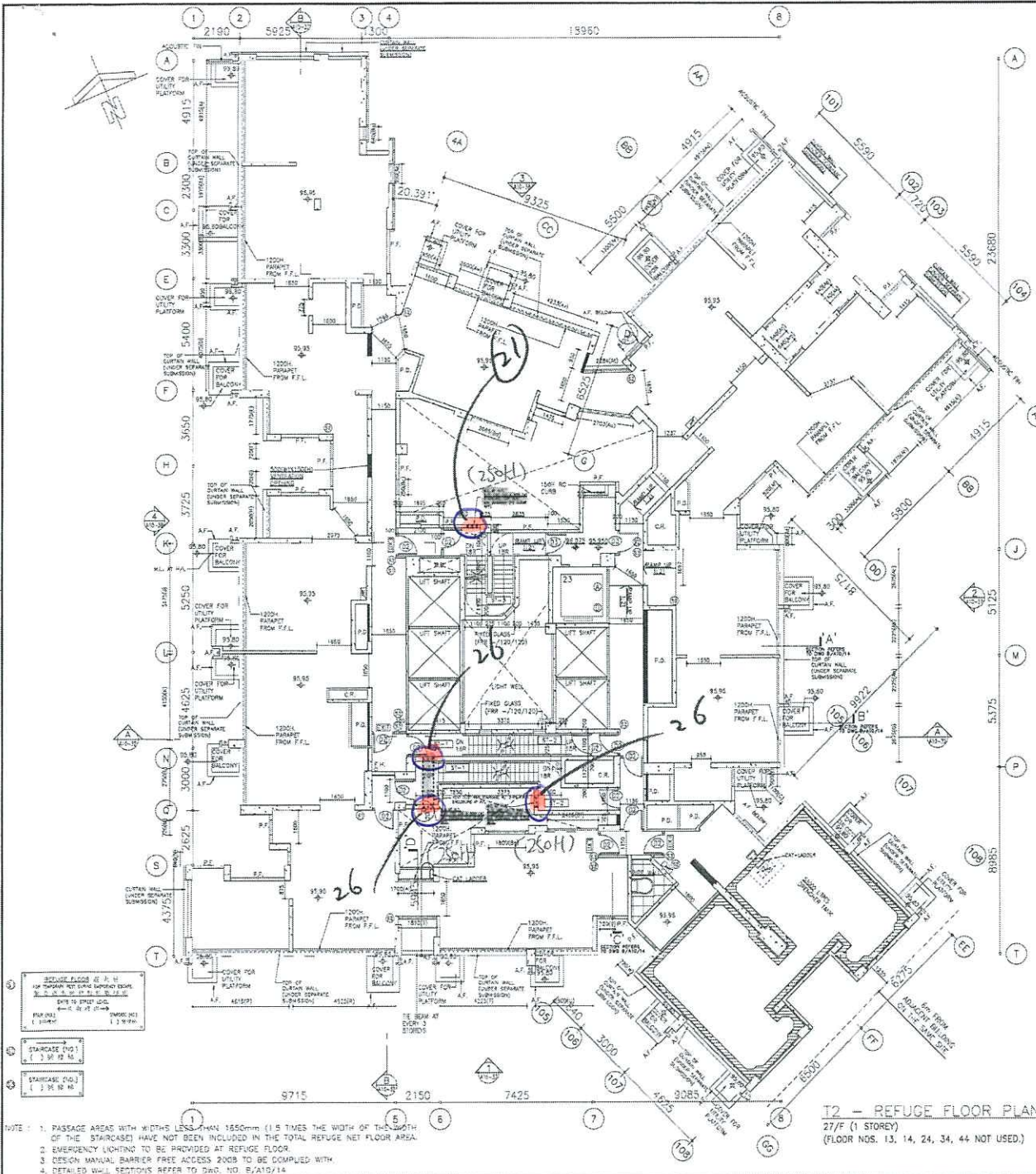
TITLE :
 ALUM. LOUVER SCHEDULE

DATE : 09-JUL-18 SCALE : 1:##
 DRAWN BY : Zeng CHECKED BY : DW

美特鋁質有限公司
 MIDI ALUMINIUM FABRICATOR LTD.
 Units 6-8, Sunny Industrial Centre, 1/F
 610 Cho Kwo Ling Road, Kowloon
 Tel: 23489211-4 Fax: (852) 27727666

DWG NO. : JB37-IAL-2028 REV. : -

WINDOW MARK		
SECTION :	50mm ALUM. SECTION	50mm ALUM. SECTION
QTY.	1 NOS.	1 NOS.
LOCATION :	T5 STAIRCASE TOP VENT AT 27F	T2 COMMON FLAT ROOF
REMARK :		



UTILITY PLATFORM OPEN SIDE CALCULATION:

T2 FLAT A
 U.P. PERIMETER = 4.325 M
 U.P. OPEN PERIMETER = 2.287 M
 % OF OPEN PERIMETER = 52.677/4.933*100.00% = 45.946%

T2 FLAT B
 U.P. PERIMETER = 4.533 M
 U.P. OPEN PERIMETER = 2.287 M
 % OF OPEN PERIMETER = 50.234/4.933*100.00% = 45.946%

T2 FLAT C
 U.P. PERIMETER = 5.021 M
 U.P. OPEN PERIMETER = 2.026 M
 % OF OPEN PERIMETER = 40.347/5.021*100.00% = 40.311%

T2 FLAT D
 U.P. PERIMETER = 4.988 M
 U.P. OPEN PERIMETER = 2.037 M
 % OF OPEN PERIMETER = 40.837/4.988*100.00% = 41.085%

T2 FLAT E
 U.P. PERIMETER = 4.900 M
 U.P. OPEN PERIMETER = 2.250 M
 % OF OPEN PERIMETER = 45.918/4.900*100.00% = 66.327%

T2 FLAT F
 U.P. PERIMETER = 4.900 M
 U.P. OPEN PERIMETER = 2.250 M
 % OF OPEN PERIMETER = 45.918/4.900*100.00% = 66.327%

T2 FLAT G
 U.P. PERIMETER = 4.900 M
 U.P. OPEN PERIMETER = 2.250 M
 % OF OPEN PERIMETER = 45.918/4.900*100.00% = 66.327%

T2 FLAT H
 U.P. PERIMETER = 4.900 M
 U.P. OPEN PERIMETER = 2.250 M
 % OF OPEN PERIMETER = 45.918/4.900*100.00% = 66.327%

T2 FLAT I
 U.P. PERIMETER = 4.925 M
 U.P. OPEN PERIMETER = 2.197 M
 % OF OPEN PERIMETER = 44.628/4.925*100.00% = 44.023%

T2 FLAT J
 U.P. PERIMETER = 4.925 M
 U.P. OPEN PERIMETER = 2.197 M
 % OF OPEN PERIMETER = 44.628/4.925*100.00% = 44.023%

T2 FLAT K
 U.P. PERIMETER = 4.993 M
 U.P. OPEN PERIMETER = 2.177 M
 % OF OPEN PERIMETER = 43.602/4.993*100.00% = 44.052%

T2 FLAT L
 U.P. PERIMETER = 4.925 M
 U.P. OPEN PERIMETER = 2.304 M
 % OF OPEN PERIMETER = 46.798/4.925*100.00% = 46.944%

T2 FLAT M
 U.P. PERIMETER = 4.933 M
 U.P. OPEN PERIMETER = 2.287 M
 % OF OPEN PERIMETER = 46.360/4.933*100.00% = 45.946%

UTILITY PLATFORM OPEN SIDE CALCULATION:

T2 FLAT N
 U.P. PERIMETER = 4.933 M
 U.P. OPEN PERIMETER = 2.287 M
 % OF OPEN PERIMETER = 46.360/4.933*100.00% = 45.946%

T2 FLAT O
 U.P. PERIMETER = 4.928 M
 U.P. OPEN PERIMETER = 2.304 M
 % OF OPEN PERIMETER = 46.757/4.928*100.00% = 46.944%

LEGEND:
 --- DRENCHER LINE

T2 27/F REFUGE AREA DIAGRAM
 SCALE 1:400

T2 27/F REFUGE FL. NET AREA
 REFUGED FLOOR AREA = 879.216 m²
 GROSS FLOOR AREA = 224.328 / 879.216 x 100% = 22.228% > 20%

DRENCHER TANK PROTECTION AREA CALCULATION
 LENGTH OF PERIPHERY WALL = (A) + (B) + (C) + (D) + (E) + (F) + (G) + (H) + (I) + (J) + (K) + (L) + (M) + (N) + (O) + (P) + (Q) + (R) + (S) + (T) + (U) + (V) + (W) + (X) + (Y) + (Z) + (AA) + (AB) + (AC) + (AD) + (AE) + (AF) + (AG) + (AH) + (AI) + (AJ) + (AK) + (AL) + (AM) + (AN) + (AO) + (AP) + (AQ) + (AR) + (AS) + (AT) + (AU) + (AV) + (AW) + (AX) + (AY) + (AZ) + (BA) + (BB) + (BC) + (BD) + (BE) + (BF) + (BG) + (BH) + (BI) + (BJ) + (BK) + (BL) + (BM) + (BN) + (BO) + (BP) + (BQ) + (BR) + (BS) + (BT) + (BU) + (BV) + (BW) + (BX) + (BY) + (BZ) + (CA) + (CB) + (CC) + (CD) + (CE) + (CF) + (CG) + (CH) + (CI) + (CJ) + (CK) + (CL) + (CM) + (CN) + (CO) + (CP) + (CQ) + (CR) + (CS) + (CT) + (CU) + (CV) + (CW) + (CX) + (CY) + (CZ) + (DA) + (DB) + (DC) + (DD) + (DE) + (DF) + (DG) + (DH) + (DI) + (DJ) + (DK) + (DL) + (DM) + (DN) + (DO) + (DP) + (DQ) + (DR) + (DS) + (DT) + (DU) + (DV) + (DW) + (DX) + (DY) + (DZ) + (EA) + (EB) + (EC) + (ED) + (EE) + (EF) + (EG) + (EH) + (EI) + (EJ) + (EK) + (EL) + (EM) + (EN) + (EO) + (EP) + (EQ) + (ER) + (ES) + (ET) + (EU) + (EV) + (EW) + (EX) + (EY) + (EZ) + (FA) + (FB) + (FC) + (FD) + (FE) + (FF) + (FG) + (FH) + (FI) + (FJ) + (FK) + (FL) + (FM) + (FN) + (FO) + (FP) + (FQ) + (FR) + (FS) + (FT) + (FU) + (FV) + (FW) + (FX) + (FY) + (FZ) + (GA) + (GB) + (GC) + (GD) + (GE) + (GF) + (GG) + (GH) + (GI) + (GJ) + (GK) + (GL) + (GM) + (GN) + (GO) + (GP) + (GQ) + (GR) + (GS) + (GT) + (GU) + (GV) + (GW) + (GX) + (GY) + (GZ) + (HA) + (HB) + (HC) + (HD) + (HE) + (HF) + (HG) + (HH) + (HI) + (HJ) + (HK) + (HL) + (HM) + (HN) + (HO) + (HP) + (HQ) + (HR) + (HS) + (HT) + (HU) + (HV) + (HW) + (HX) + (HY) + (HZ) + (IA) + (IB) + (IC) + (ID) + (IE) + (IF) + (IG) + (IH) + (II) + (IJ) + (IK) + (IL) + (IM) + (IN) + (IO) + (IP) + (IQ) + (IR) + (IS) + (IT) + (IU) + (IV) + (IW) + (IX) + (IY) + (IZ) + (JA) + (JB) + (JC) + (JD) + (JE) + (JF) + (JG) + (JH) + (JI) + (JJ) + (JK) + (JL) + (JM) + (JN) + (JO) + (JP) + (JQ) + (JR) + (JS) + (JT) + (JU) + (JV) + (JW) + (JX) + (JY) + (JZ) + (KA) + (KB) + (KC) + (KD) + (KE) + (KF) + (KG) + (KH) + (KI) + (KJ) + (KL) + (KM) + (KN) + (KO) + (KP) + (KQ) + (KR) + (KS) + (KT) + (KU) + (KV) + (KW) + (KX) + (KY) + (KZ) + (LA) + (LB) + (LC) + (LD) + (LE) + (LF) + (LG) + (LH) + (LI) + (LJ) + (LK) + (LL) + (LM) + (LN) + (LO) + (LP) + (LQ) + (LR) + (LS) + (LT) + (LU) + (LV) + (LW) + (LX) + (LY) + (LZ) + (MA) + (MB) + (MC) + (MD) + (ME) + (MF) + (MG) + (MH) + (MI) + (MJ) + (MK) + (ML) + (MM) + (MN) + (MO) + (MP) + (MQ) + (MR) + (MS) + (MT) + (MU) + (MV) + (MW) + (MX) + (MY) + (MZ) + (NA) + (NB) + (NC) + (ND) + (NE) + (NF) + (NG) + (NH) + (NI) + (NJ) + (NK) + (NL) + (NM) + (NN) + (NO) + (NP) + (NQ) + (NR) + (NS) + (NT) + (NU) + (NV) + (NW) + (NX) + (NY) + (NZ) + (OA) + (OB) + (OC) + (OD) + (OE) + (OF) + (OG) + (OH) + (OI) + (OJ) + (OK) + (OL) + (OM) + (ON) + (OO) + (OP) + (OQ) + (OR) + (OS) + (OT) + (OU) + (OV) + (OW) + (OX) + (OY) + (OZ) + (PA) + (PB) + (PC) + (PD) + (PE) + (PF) + (PG) + (PH) + (PI) + (PJ) + (PK) + (PL) + (PM) + (PN) + (PO) + (PP) + (PQ) + (PR) + (PS) + (PT) + (PU) + (PV) + (PW) + (PX) + (PY) + (PZ) + (QA) + (QB) + (QC) + (QD) + (QE) + (QF) + (QG) + (QH) + (QI) + (QJ) + (QK) + (QL) + (QM) + (QN) + (QO) + (QP) + (QQ) + (QR) + (QS) + (QT) + (QU) + (QV) + (QW) + (QX) + (QY) + (QZ) + (RA) + (RB) + (RC) + (RD) + (RE) + (RF) + (RG) + (RH) + (RI) + (RJ) + (RK) + (RL) + (RM) + (RN) + (RO) + (RP) + (RQ) + (RR) + (RS) + (RT) + (RU) + (RV) + (RW) + (RX) + (RY) + (RZ) + (SA) + (SB) + (SC) + (SD) + (SE) + (SF) + (SG) + (SH) + (SI) + (SJ) + (SK) + (SL) + (SM) + (SN) + (SO) + (SP) + (SQ) + (SR) + (SS) + (ST) + (SU) + (SV) + (SW) + (SX) + (SY) + (SZ) + (TA) + (TB) + (TC) + (TD) + (TE) + (TF) + (TG) + (TH) + (TI) + (TJ) + (TK) + (TL) + (TM) + (TN) + (TO) + (TP) + (TQ) + (TR) + (TS) + (TT) + (TU) + (TV) + (TW) + (TX) + (TY) + (TZ) + (UA) + (UB) + (UC) + (UD) + (UE) + (UF) + (UG) + (UH) + (UI) + (UJ) + (UK) + (UL) + (UM) + (UN) + (UO) + (UP) + (UQ) + (UR) + (US) + (UT) + (UU) + (UV) + (UW) + (UX) + (UY) + (UZ) + (VA) + (VB) + (VC) + (VD) + (VE) + (VF) + (VG) + (VH) + (VI) + (VJ) + (VK) + (VL) + (VM) + (VN) + (VO) + (VP) + (VQ) + (VR) + (VS) + (VT) + (VU) + (VV) + (VW) + (VX) + (VY) + (VZ) + (WA) + (WB) + (WC) + (WD) + (WE) + (WF) + (WG) + (WH) + (WI) + (WJ) + (WK) + (WL) + (WM) + (WN) + (WO) + (WP) + (WQ) + (WR) + (WS) + (WT) + (WU) + (WV) + (WW) + (WX) + (WY) + (WZ) + (XA) + (XB) + (XC) + (XD) + (XE) + (XF) + (XG) + (XH) + (XI) + (XJ) + (XK) + (XL) + (XM) + (XN) + (XO) + (XP) + (XQ) + (XR) + (XS) + (XT) + (XU) + (XV) + (XW) + (XX) + (XY) + (XZ) + (YA) + (YB) + (YC) + (YD) + (YE) + (YF) + (YG) + (YH) + (YI) + (YJ) + (YK) + (YL) + (YM) + (YN) + (YO) + (YP) + (YQ) + (YR) + (YS) + (YT) + (YU) + (YV) + (YW) + (YX) + (YY) + (YZ) + (ZA) + (ZB) + (ZC) + (ZD) + (ZE) + (ZF) + (ZG) + (ZH) + (ZI) + (ZJ) + (ZK) + (ZL) + (ZM) + (ZN) + (ZO) + (ZP) + (ZQ) + (ZR) + (ZS) + (ZT) + (ZU) + (ZV) + (ZW) + (ZX) + (ZY) + (ZZ)

B.D. REFERENCE NUMBER:
 BD 2/4023/12(Pl II)

NOTES
 DO NOT SCALE DRAWING. FIGURED DIMENSIONS ARE TO BE FOLLOWED.
 READ THIS DRAWING IN CONJUNCTION WITH GENERAL ARRANGEMENT, STRUCTURAL PLANS AND OTHER RELATED DRAWINGS. THE ARCHITECT SHALL BE NOTIFIED IMMEDIATELY BY ANY DISCREPANCY FOUND HEREIN. COPYRIGHT OF THIS DRAWING RESERVED BY ARCHITECT.

NO.	DATE	REVISIONS
01	12/11/15	ISSUE FOR PERMIT
02	12/11/15	ISSUE FOR PERMIT
03	12/11/15	ISSUE FOR PERMIT
04	12/11/15	ISSUE FOR PERMIT
05	12/11/15	ISSUE FOR PERMIT
06	12/11/15	ISSUE FOR PERMIT
07	12/11/15	ISSUE FOR PERMIT
08	12/11/15	ISSUE FOR PERMIT
09	12/11/15	ISSUE FOR PERMIT
10	12/11/15	ISSUE FOR PERMIT
11	12/11/15	ISSUE FOR PERMIT
12	12/11/15	ISSUE FOR PERMIT
13	12/11/15	ISSUE FOR PERMIT
14	12/11/15	ISSUE FOR PERMIT
15	12/11/15	ISSUE FOR PERMIT
16	12/11/15	ISSUE FOR PERMIT
17	12/11/15	ISSUE FOR PERMIT
18	12/11/15	ISSUE FOR PERMIT
19	12/11/15	ISSUE FOR PERMIT
20	12/11/15	ISSUE FOR PERMIT
21	12/11/15	ISSUE FOR PERMIT
22	12/11/15	ISSUE FOR PERMIT
23	12/11/15	ISSUE FOR PERMIT
24	12/11/15	ISSUE FOR PERMIT
25	12/11/15	ISSUE FOR PERMIT
26	12/11/15	ISSUE FOR PERMIT
27	12/11/15	ISSUE FOR PERMIT
28	12/11/15	ISSUE FOR PERMIT
29	12/11/15	ISSUE FOR PERMIT
30	12/11/15	ISSUE FOR PERMIT
31	12/11/15	ISSUE FOR PERMIT
32	12/11/15	ISSUE FOR PERMIT
33	12/11/15	ISSUE FOR PERMIT
34	12/11/15	ISSUE FOR PERMIT
35	12/11/15	ISSUE FOR PERMIT
36	12/11/15	ISSUE FOR PERMIT
37	12/11/15	ISSUE FOR PERMIT
38	12/11/15	ISSUE FOR PERMIT
39	12/11/15	ISSUE FOR PERMIT
40	12/11/15	ISSUE FOR PERMIT
41	12/11/15	ISSUE FOR PERMIT
42	12/11/15	ISSUE FOR PERMIT
43	12/11/15	ISSUE FOR PERMIT
44	12/11/15	ISSUE FOR PERMIT
45	12/11/15	ISSUE FOR PERMIT
46	12/11/15	ISSUE FOR PERMIT
47	12/11/15	ISSUE FOR PERMIT
48	12/11/15	ISSUE FOR PERMIT
49	12/11/15	ISSUE FOR PERMIT
50	12/11/15	ISSUE FOR PERMIT
51	12/11/15	ISSUE FOR PERMIT
52	12/11/15	ISSUE FOR PERMIT
53	12/11/15	ISSUE FOR PERMIT
54	12/11/15	ISSUE FOR PERMIT
55	12/11/15	ISSUE FOR PERMIT
56	12/11/15	ISSUE FOR PERMIT
57	12/11/15	ISSUE FOR PERMIT
58	12/11/15	ISSUE FOR PERMIT
59	12/11/15	ISSUE FOR PERMIT
60	12/11/15	ISSUE FOR PERMIT
61	12/11/15	ISSUE FOR PERMIT
62	12/11/15	ISSUE FOR PERMIT
63	12/11/15	ISSUE FOR PERMIT
64	12/11/15	ISSUE FOR PERMIT
65	12/11/15	ISSUE FOR PERMIT
66	12/11/15	ISSUE FOR PERMIT
67	12/11/15	ISSUE FOR PERMIT
68	12/11/15	ISSUE FOR PERMIT
69	12/11/15	ISSUE FOR PERMIT
70	12/11/15	ISSUE FOR PERMIT
71	12/11/15	ISSUE FOR PERMIT
72	12/11/15	ISSUE FOR PERMIT
73	12/11/15	ISSUE FOR PERMIT
74	12/11/15	ISSUE FOR PERMIT
75	12/11/15	ISSUE FOR PERMIT
76	12/11/15	ISSUE FOR PERMIT
77	12/11/15	ISSUE FOR PERMIT
78	12/11/15	ISSUE FOR PERMIT
79	12/11/15	ISSUE FOR PERMIT
80	12/11/15	ISSUE FOR PERMIT
81	12/11/15	ISSUE FOR PERMIT
82	12/11/15	ISSUE FOR PERMIT
83	12/11/15	ISSUE FOR PERMIT
84	12/11/15	ISSUE FOR PERMIT
85	12/11/15	ISSUE FOR PERMIT
86	12/11/15	ISSUE FOR PERMIT
87	12/11/15	ISSUE FOR PERMIT
88	12/11/15	ISSUE FOR PERMIT
89	12/11/15	ISSUE FOR PERMIT
90	12/11/15	ISSUE FOR PERMIT
91	12/11/15	ISSUE FOR PERMIT
92	12/11/15	ISSUE FOR PERMIT
93	12/11/15	ISSUE FOR PERMIT
94	12/11/15	ISSUE FOR PERMIT
95	12/11/15	ISSUE FOR PERMIT
96	12/11/15	ISSUE FOR PERMIT
97	12/11/15	ISSUE FOR PERMIT
98	12/11/15	ISSUE FOR PERMIT
99	12/11/15	ISSUE FOR PERMIT
100	12/11/15	ISSUE FOR PERMIT

WONG TUNG & PARTNERS LIMITED
 ARCHITECTS & PLANNERS
 1811 Plaza, Cityplaza 3, Tsim Sha Tsui, Hong Kong
 T: 2724 8888, F: 2724 1111, www.wongtung.com

PROJECT:
 URA KWUN TONG TOWN CENTRE DEVELOPMENT (AREA 2 & 3) AT NKL 5514, KWUN TONG, KOWLOON

TITLE:
 T2 REFUGE FLOOR PLAN

DATE: 12/10/2015
SCALE: 1:100

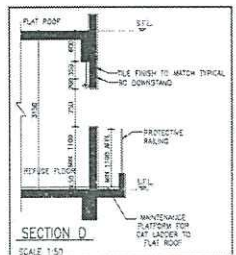
NO. 31690
REV. B/A10/17
DATE: 12/10/15

AMENDED PLAN

NOTE:

- PASSAGE AREAS WITH WIDTHS LESS THAN 1550mm (1.5 TIMES THE WIDTH OF THE CLOSURE OF THE STAIRCASE) HAVE NOT BEEN INCLUDED IN THE TOTAL REFUGE NET FLOOR AREA.
- EMERGENCY LIGHTING TO BE PROVIDED AT REFUGE FLOOR.
- DESIGN MANUAL BARRIER FREE ACCESS 200B TO BE COMPLIED WITH.
- DETAILED WALL SECTIONS REFER TO DWG. NO. B/A10/14.

T2 - REFUGE FLOOR PLAN
 27/F (1 STOREY)
 (FLOOR NOS. 13, 14, 24, 34, 44 NOT USED.)



T2 27/F REFUGE AREA DIAGRAM
 SCALE 1:400

T2 27/F REFUGE FL. NET AREA
 REFUGED FLOOR AREA = 879.216 m²
 GROSS FLOOR AREA = 224.328 / 879.216 x 100% = 22.228% > 20%

DRENCHER TANK PROTECTION AREA CALCULATION
 LENGTH OF PERIPHERY WALL = (A) + (B) + (C) + (D) + (E) + (F) + (G) + (H) + (I) + (J) + (K) + (L) + (M) + (N) + (O) + (P) + (Q) + (R) + (S) + (T) + (U) + (V) + (W) + (X) + (Y) + (Z) + (AA) + (AB) + (AC) + (AD) + (AE) + (AF) + (AG) + (AH) + (AI) + (AJ) + (AK) + (AL) + (AM) + (AN) + (AO) + (AP) + (AQ) + (AR) + (AS) + (AT) + (AU) + (AV) + (AW) + (AX) + (AY) + (AZ) + (BA) + (BB) + (BC) + (BD) + (BE) + (BF) + (BG) + (BH) + (BI) + (BJ) + (BK) + (BL) + (BM) + (BN) + (BO) + (BP) + (BQ) + (BR) + (BS) + (BT) + (BU) + (BV) + (BW) + (BX) + (BY) + (BZ) + (CA) + (CB) + (CC) + (CD) + (CE) + (CF) + (CG) + (CH) + (CI) + (CJ) + (CK) + (CL) + (CM) + (CN) + (CO) + (CP) + (CQ) + (CR) + (CS) + (CT) + (CU) + (CV) + (CW) + (CX) + (CY) + (CZ) + (DA) + (DB) + (DC) + (DD) + (DE) + (DF) + (DG) + (DH) + (DI) + (DJ) + (DK) + (DL) + (DM) + (DN) + (DO) + (DP) + (DQ) + (DR) + (DS) + (DT) + (DU) + (DV) + (DW) + (DX) + (DY) + (DZ) + (EA) + (EB) + (EC) + (ED) + (EE) + (EF) + (EG) + (EH) + (EI) + (EJ) + (EK) + (EL) + (EM) + (EN) + (EO) + (EP) + (EQ) + (ER) + (ES) + (ET) + (EU) + (EV) + (EW) + (EX) + (EY) + (EZ) + (FA) + (FB) + (FC) + (FD) + (FE) + (FF) + (FG) + (FH) + (FI) + (FJ) + (FK) + (FL) + (FM) + (FN) + (FO) + (FP) + (FQ) + (FR) + (FS) + (FT) + (FU) + (FV) + (FW) + (FX) + (FY) + (FZ) + (GA) + (GB) + (GC) + (GD) + (GE) + (GF) + (GG) + (GH) + (GI) + (GJ) + (GK) + (GL) + (GM) + (GN) + (GO) + (GP) + (GQ) + (GR) + (GS) + (GT) + (GU) + (GV) + (GW) + (GX) + (GY) + (GZ) + (HA) + (HB) + (HC) + (HD) + (HE) + (HF) + (HG) + (HH) + (HI) + (HJ) + (HK) + (HL) + (HM) + (HN) + (HO) + (HP) + (HQ) + (HR) + (HS) + (HT) + (HU) + (HV) + (HW) + (HX) + (HY) + (HZ) + (IA) + (IB) + (IC) + (ID) + (IE) + (IF) + (IG) + (IH) + (II) + (IJ) + (IK) + (IL) + (IM) + (IN) + (IO) + (IP) + (IQ) + (IR) + (IS) + (IT) + (IU) + (IV) + (IW) + (IX) + (IY) + (IZ) + (JA) + (JB) + (JC) + (JD) + (JE) + (JF) + (JG) + (JH) + (JI) + (JJ) + (JK) + (JL) + (JM) + (JN) + (JO) + (JP) + (JQ) + (JR) + (JS) + (JT) + (JU) + (JV) + (JW) + (JX) + (JY) + (JZ) + (KA) + (KB) + (KC) + (KD) + (KE) + (KF) + (KG) + (KH) + (KI) + (KJ) + (KL) + (KM) + (KN) + (KO) + (KP) + (KQ) + (KR) + (KS) + (KT) + (KU) + (KV) + (KW) + (KX) + (KY) + (KZ) + (LA) + (LB) + (LC) + (LD) + (LE) + (LF) + (LG) + (LH) + (LI) + (LJ) + (LK) + (LM) + (LN) + (LO) + (LP) + (LQ) + (LR) + (LS) + (LT) + (LU) + (LV) + (LW) + (LX) + (LY) + (LZ) + (MA) + (MB) + (MC) + (MD) + (ME) + (MF) + (MG) + (MH) + (MI) + (MJ) + (MK) + (ML) + (MM) + (MN) + (MO) + (MP) + (MQ) + (MR) + (MS) + (MT) + (MU) + (MV) + (MW) + (MX) + (MY) + (MZ) + (NA) + (NB) + (NC) + (ND) + (NE) + (NF) + (NG) + (NH) + (NI) + (NJ) + (NK) + (NL) + (NM) + (NN) + (NO) + (NP) + (NQ) + (NR) + (NS) + (NT) + (NU) + (NV) + (NW) + (NX) + (NY) + (NZ) + (OA) + (OB) + (OC) + (OD) + (OE) + (OF) + (OG) + (OH) + (OI) + (OJ) + (OK) + (OL) + (OM) + (ON) + (OO) + (OP) + (OQ) + (OR) + (OS) + (OT) + (OU) + (OV) + (OW) + (OX) + (OY) + (OZ) + (PA) + (PB) + (PC) + (PD) + (PE) + (PF) + (PG) + (PH) + (PI) + (PJ) + (PK) + (PL) + (PM) + (PN) + (PO) + (PP) + (PQ) + (PR) + (PS) + (PT) + (PU) + (PV) + (PW) + (PX) + (PY) + (PZ) + (QA) + (QB) + (QC) + (QD) + (QE) + (QF) + (QG) + (QH) + (QI) + (QJ) + (QK) + (QL) + (QM) + (QN) + (QO) + (QP) + (QQ) + (QR) + (QS) + (QT) + (QU) + (QV) + (QW) + (QX) + (QY) + (QZ) + (RA) + (RB) + (RC) + (RD) + (RE) + (RF) + (RG) + (RH) + (RI) + (RJ) + (RK) + (RL) + (RM) + (RN) + (RO) + (RP) + (RQ) + (RR) + (RS) + (RT) + (RU) + (RV) + (RW) + (RX) + (RY) + (RZ) + (SA) + (SB) + (SC) + (SD) + (SE) + (SF) + (SG) + (SH) + (SI) + (SJ) + (SK) + (SL) + (SM) + (SN) + (SO) + (SP) + (SQ) + (SR) + (SS) + (ST) + (SU) + (SV) + (SW) + (SX) + (SY) + (SZ) + (TA) + (TB) + (TC) + (TD) + (TE) + (TF) + (TG) + (TH) + (TI) + (TJ) + (TK) + (TL) + (TM) + (TN) + (TO) + (TP) + (TQ) + (TR) + (TS) + (TT) + (TU) + (TV) + (TW) + (TX) + (TY) + (TZ) + (UA) + (UB) + (UC) + (UD) + (UE) + (UF) + (UG) + (UH) + (UI) + (UJ) + (UK) + (UL) + (UM) + (UN) + (UO) + (UP) + (UQ) + (UR) + (US) + (UT) + (UU) + (UV) + (UW) + (UX) + (UY) + (UZ) + (VA) + (VB) + (VC) + (VD) + (VE) + (VF) + (VG) + (VH) + (VI) + (VJ) + (VK) + (VL) + (VM) + (VN) + (VO) + (VP) +

