



工程指示 / 要求簡箋(E.I.)

工程指示編號：EI/129/19

修改版次：-

工程編號：J-837

工程名稱：觀塘裕民坊

工程項目：幕牆 覆式層企料用鐵巴(E03 碼用)

收件人：Maggie

發件人：Eric Liu

日期：03/12/2019

要求提供 / 確認 事項：

- | | | |
|------------------------------------|-------------------------------------|-------------------------------|
| <input type="checkbox"/> 初步鋁料 B.M. | <input type="checkbox"/> 加工拆圖，然後生產 | <input type="checkbox"/> 尺寸表 |
| <input type="checkbox"/> 正式鋁料 B.M. | <input type="checkbox"/> 技術上資料 / 指示 | <input type="checkbox"/> 報價 |
| <input type="checkbox"/> 配件 B.M. | <input type="checkbox"/> 樣辦或貨品說明書 | <input type="checkbox"/> 分判合約 |
| <input type="checkbox"/> 其他：_____ | | |

內容：

請按加工圖訂購鐵巴，覆式層企料用(E03 碼上)

地盤請留意：需要現場燒焊及驗焊，焊在 E03 碼上，裝企料前驗焊
謝謝。

請在 2019/ 12 / 09 前完成上列要求。

附：1 頁加工圖，5 頁放樣

以上項目為：

- | | | |
|---------------------------------|--------------------------------------|--------------------------------|
| <input type="checkbox"/> 原合約工程包 | <input type="checkbox"/> 原合約工程加 / 減賬 | <input type="checkbox"/> 新工程報價 |
|---------------------------------|--------------------------------------|--------------------------------|

原因：-

分發東莞各部門：

- | | | | | |
|--|---|----|---|--|
| <input type="checkbox"/> 生產技術總監 <input type="checkbox"/> 連附件 | <input type="checkbox"/> 技術部 <input type="checkbox"/> 連附件 | 永林 | <input type="checkbox"/> 生產部 <input type="checkbox"/> 連附件 | <input type="checkbox"/> 機械設計部 <input type="checkbox"/> 連附件 |
| <input type="checkbox"/> 採購部 <input type="checkbox"/> 連附件 | <input type="checkbox"/> 生產統籌部 <input type="checkbox"/> 連附件 | 梅 | | |
| <input type="checkbox"/> 質檢部 <input type="checkbox"/> 連附件 | <input type="checkbox"/> 會計部 <input type="checkbox"/> 連附件 | | <input type="checkbox"/> 報關組 <input type="checkbox"/> 連附件 | <input type="checkbox"/> 其他 <u>小羅</u> <input type="checkbox"/> 連附件 |

分發香港各部門：

- | | | | | |
|--|--|---|--|------------|
| <input type="checkbox"/> 行政部 <input type="checkbox"/> 連附件 | <input type="checkbox"/> 會計部 <input type="checkbox"/> 連附件 | <input type="checkbox"/> 統籌部 <input type="checkbox"/> 連附件 | <input checked="" type="checkbox"/> 工程部地盤科文 <input type="checkbox"/> 連附件 | 炳哥 / 民 / 豪 |
| <input checked="" type="checkbox"/> 採購部 <input type="checkbox"/> 連附件 | <input type="checkbox"/> QS 部 <input type="checkbox"/> 連附件 | <input type="checkbox"/> 維修部 <input type="checkbox"/> 連附件 | <input type="checkbox"/> 其他 _____ <input type="checkbox"/> 連附件 | |

傳遞編號：

發件人簽署：

項目經理簽署：

 美特鋁質有限公司 MIDI Aluminium Fabricator Ltd.		類別	物料號	
修改		制圖 陳俊賢	2018.12.23	圖號 SD-AG-01
日期		復核 謝永林	2018.12.25	數量 -
		批准		位置

壹層
鐵巴

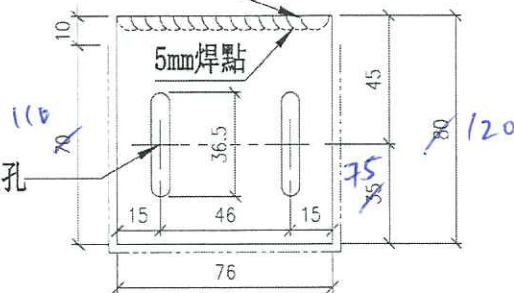
使用位置	每層數	樓層	數量	樓層
T1CW-G-1	2	39	78	6F-26F, 28F-50F
T1CW-F-2	2	37	74	7F-26F, 28F-49F
T5CW-JK-1	2	39	78	6F-26F, 28F-50F
合計			230	

一層2個SD中企頂部固定鐵碼

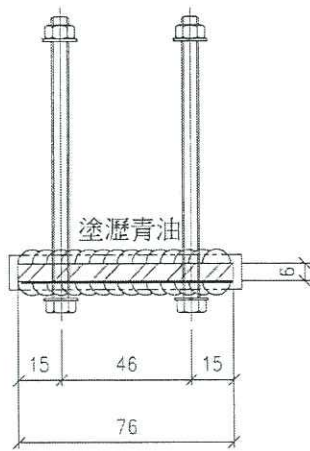
位置

焊在
EM03
預留碼上

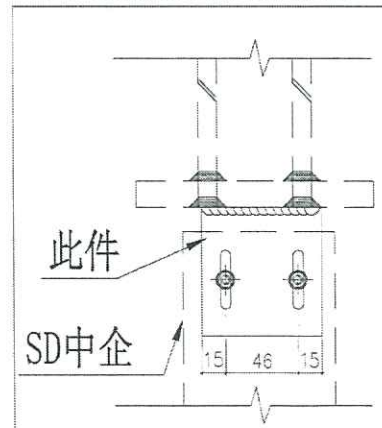
地盤點焊, 留10mm不打它油



T2 G 6+2
T3 D, H 16+4
T5 A 32+4
(64)

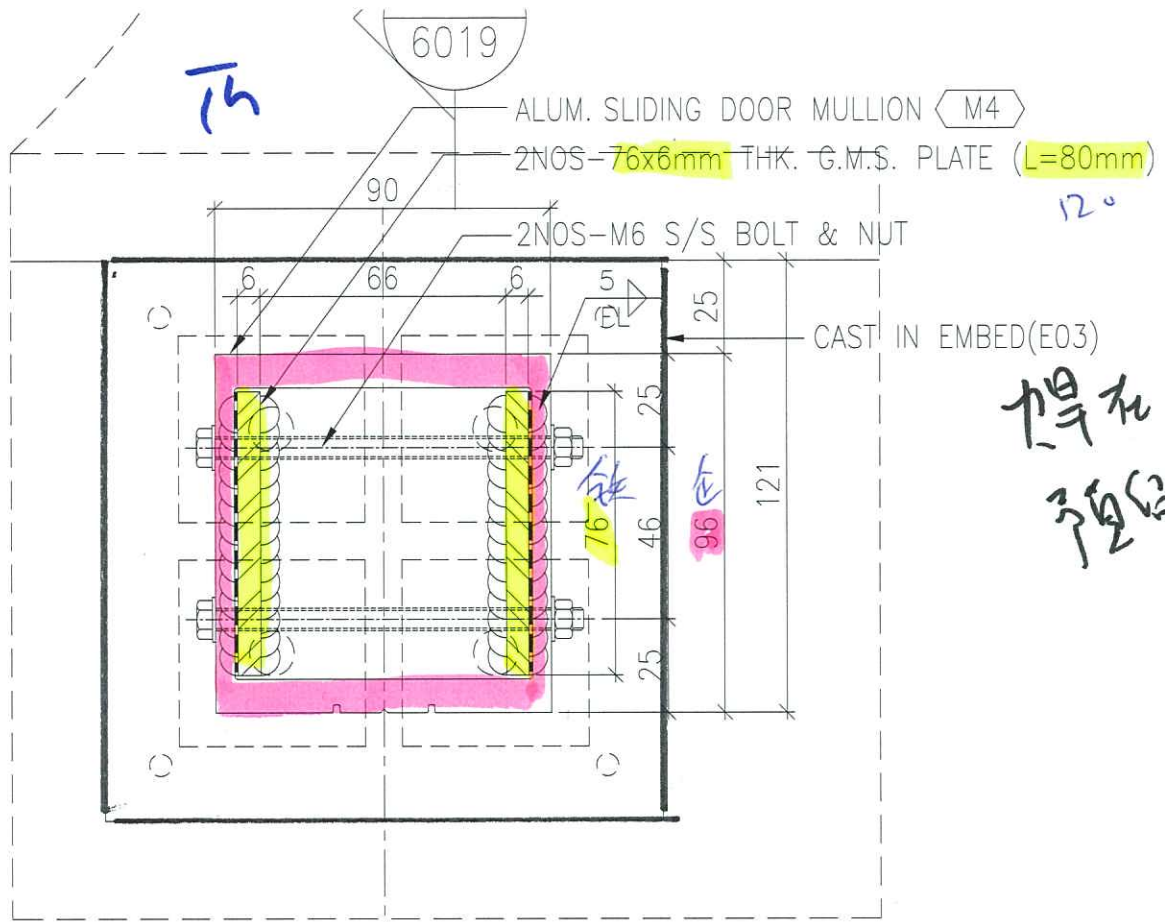


SD中企頂鐵碼安裝示意圖



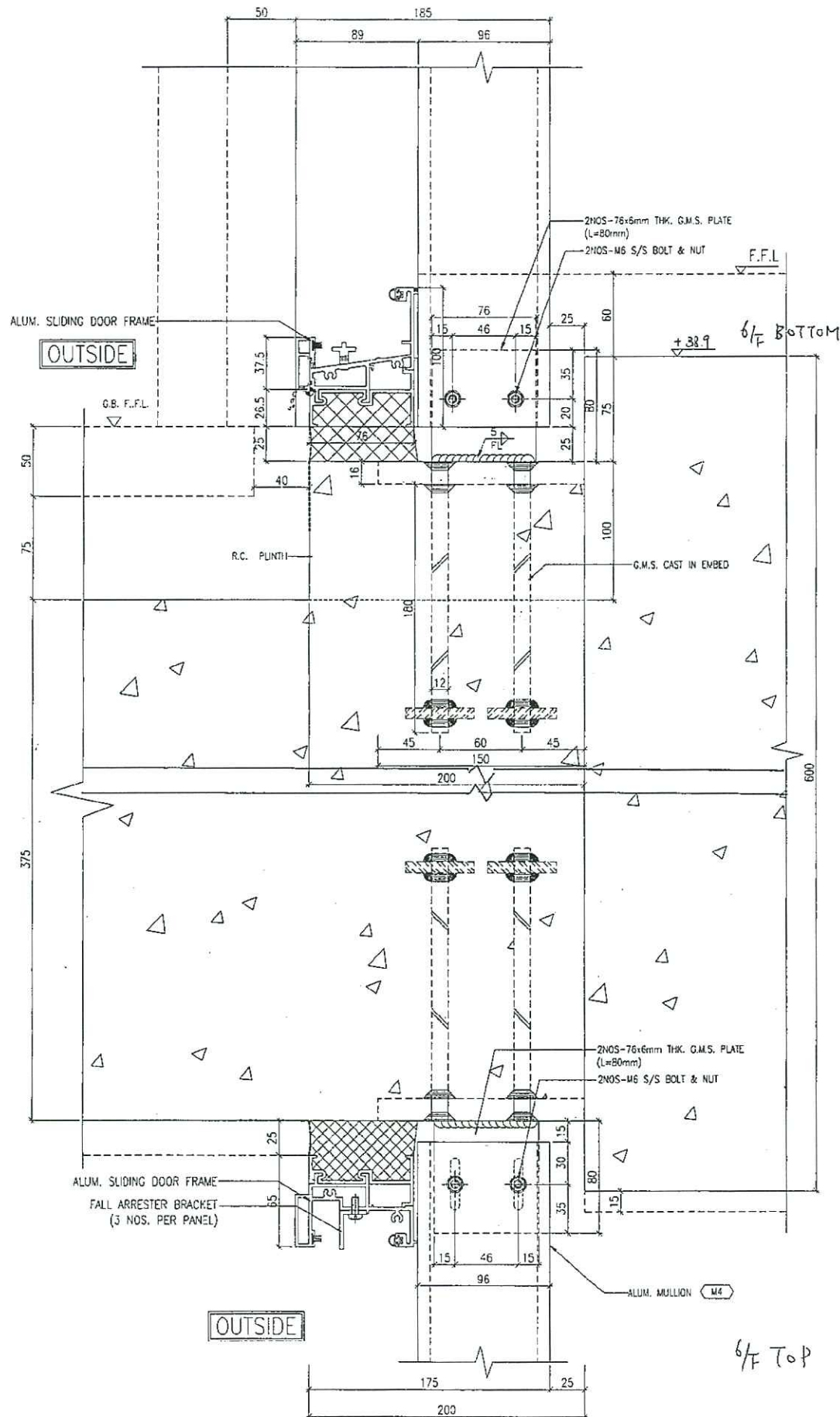
地盤會驗收
張金和

工程號 J-837	地盤 觀塘裕民坊	採 用	附 件
名 稱 SD中企頂固定鐵碼		地盤	
材 料 6mm鐵巴		工廠	
顏 色 熱浸鋅+瀝青油		✓	

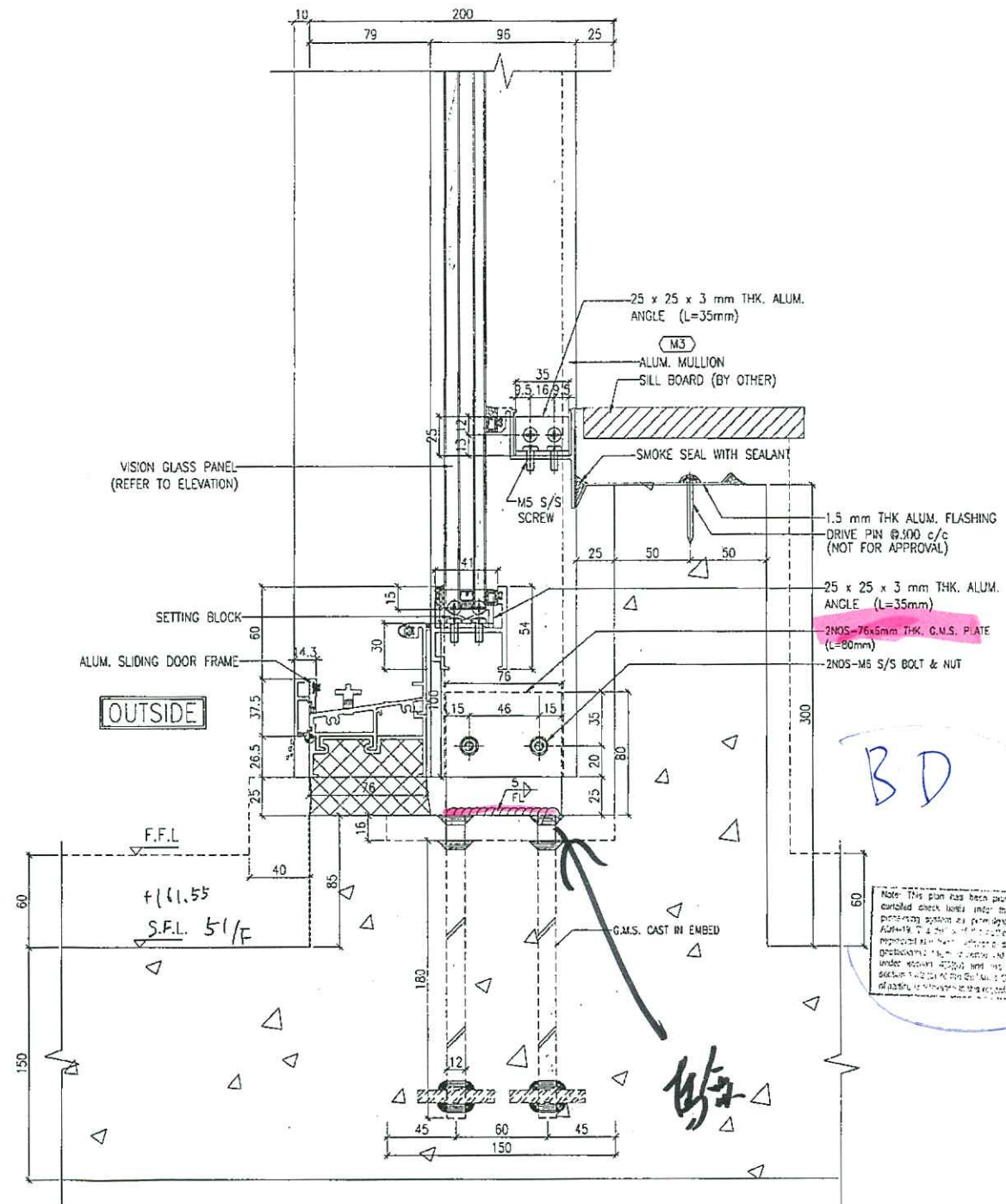


Out

1A
5012 TYPICAL MULLION DETAIL
CURTAIN WALL



1 TYPICAL TRANSOM DETAIL
6006 CURTAIN WALL



2 TYPICAL TRANSOM DETAIL
6006 CURTAIN WALL

REFER TO J837-BDCW-2508

B.D. REF :

STATEMENT II : THE WORKS SHOWN ON THESE PLANS ARE TYPE II WORKS IN RESPECT OF WHICH THE BUILDING AUTHORITY'S CONSENT IS APPLIED FOR

NEW DRAWING

CLIENT :
信和置業有限公司
Sino Land Company Limited

ARCHITECT :
WONG TUNG & PARTNERS LIMITED
ARCHITECTS & PLANNERS

MAIN CONTRACTOR :
CR Construction Company Limited

STRUCTURAL ENGINEER :
AECOM

FAÇADE CONSULTANT :
AECOM

NOTE :
1. ALL DIMENSIONS ARE IN mm.
2. ALL ELEVATIONS ARE VIEWED FROM OUTSIDE.
3. ALL DIMENSIONS TO BE VERIFIED ON SITE BEFORE FABRICATION.

LEGEND :
X1 - DETAIL MARK NO.
X001 - REFER SHEET NO.

1. F.F.L. - FINISHED FLOOR LEVEL
2. S.F.L. - STRUCTURAL FLOOR LEVEL
3. (P) - REVERSED DETAIL

Note: This plan has been prepared on a computerized system under the control of AECOM Asia Company Limited. The user is responsible for the accuracy of the data entered into the system. AECOM Asia Company Limited is not responsible for any errors or omissions in this drawing. The user is advised to verify all dimensions and details on site before fabrication.

Plan Approved
Chief Kwai-fong
Senior Structural Engineer
for BUILDING AUTHORITY
10 JULY 2018

AECOM Asia Company Limited

Wong Kong Lei
Registered Structural Engineer RSE 2558

NO.	DATE	REVISED	BY

JOB NO. : J-837
PROJECT : URA KWUN TONG TOWN CENTRE REDEVELOPMENT (AREA 2 & 3) AT NKIL 6514, KWUN TONG, KWLOON

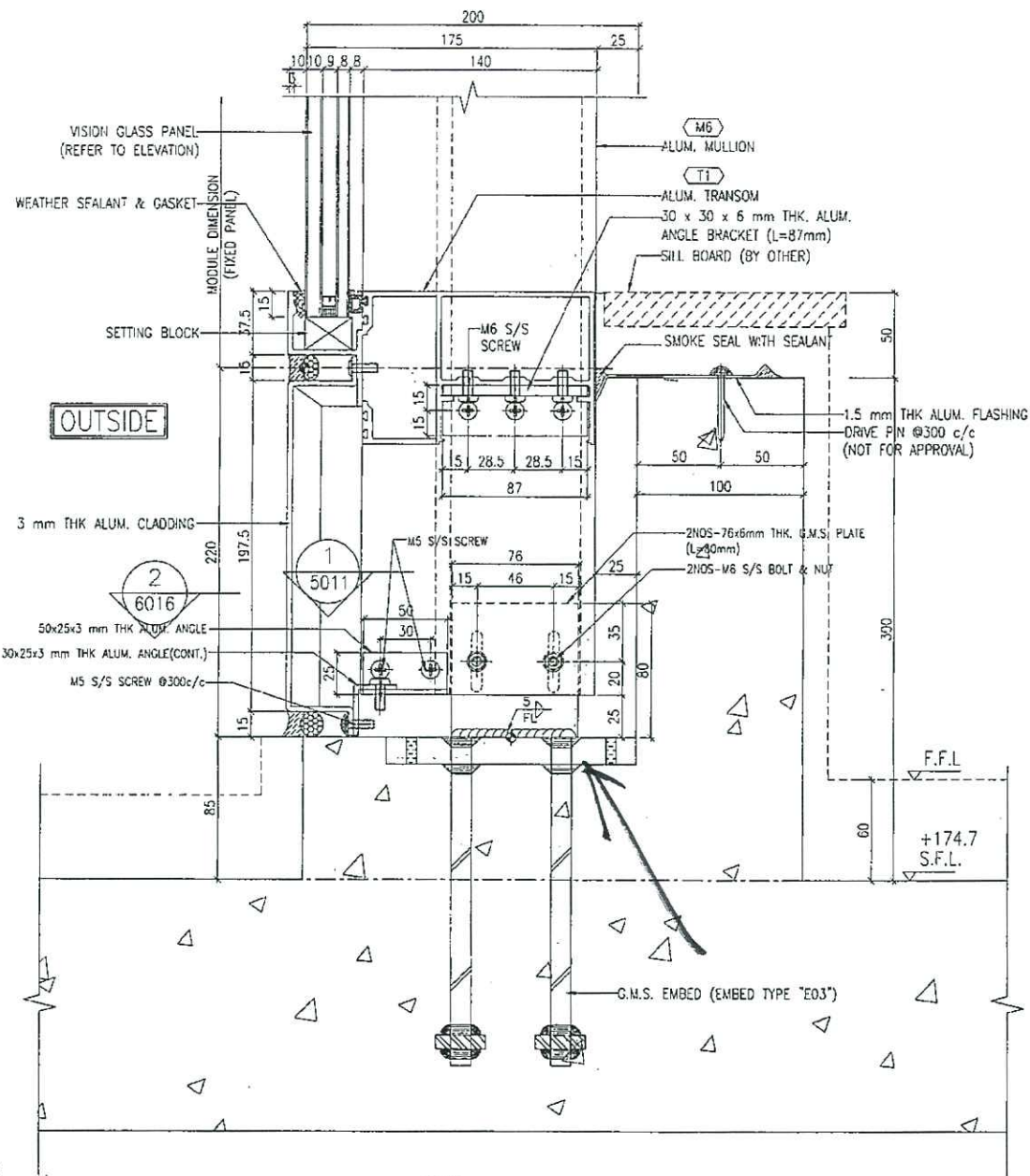
TITLE : TYPICAL TRANSOM DETAIL FOR CURTAIN WALL

DATE : 13-JUL-18 SCALE : 1:2 (A1)

DRAWN BY : ASING CHECKED BY : -

英特鋁質有限公司
MIDI ALUMINIUM FABRICATOR LTD.
Units 6-8, Sunray Industrial Centre, 1/F
610 Cho Kwo Ling Road, Kowloon
Tel: 23489211-4 Fax: (852) 27727686

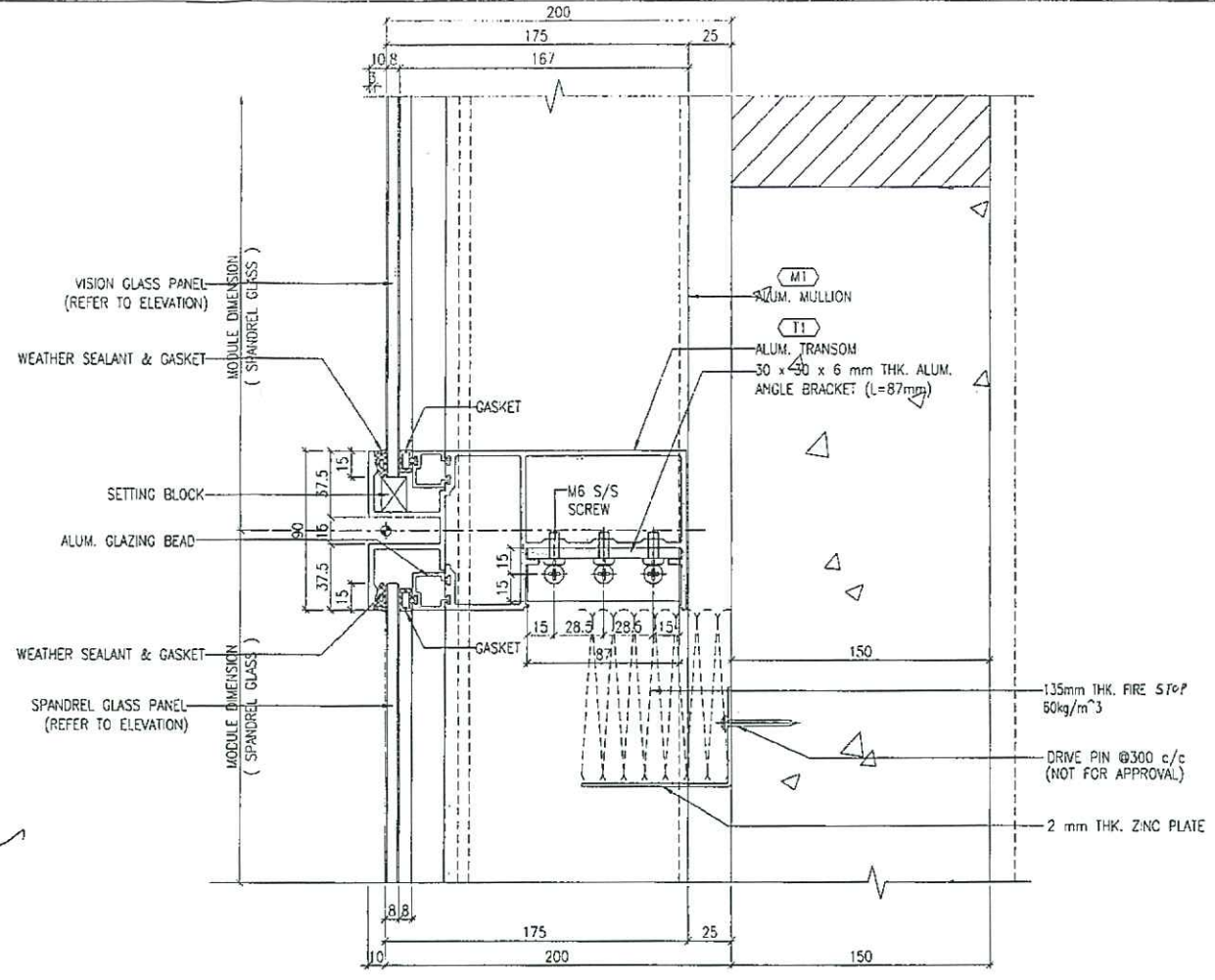
DWG NO. : J837-BDCW-6006 REV. : -



1 TYPICAL TRANSOM DETAIL
6020 CURTAIN WALL
REFER TO J837-BDCW-2508

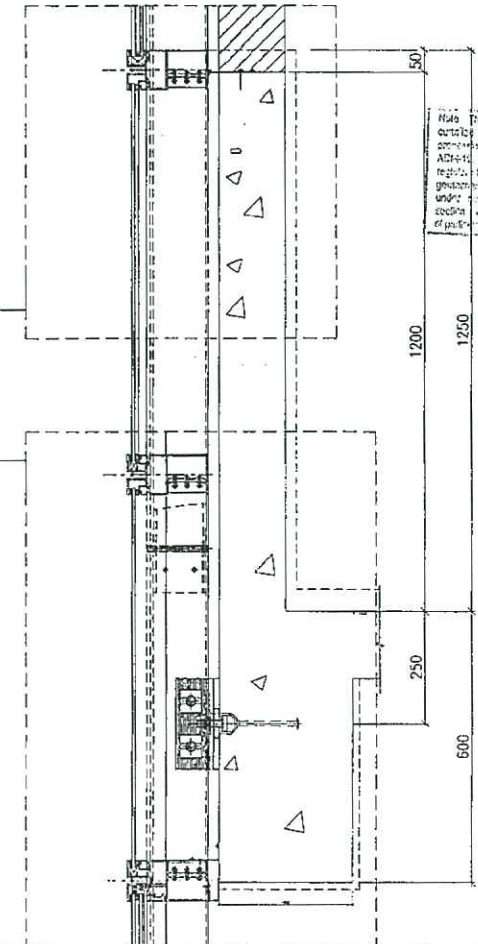
OUTSIDE

2 TYPICAL TRANSOM DETAIL
6020 CURTAIN WALL



OUTSIDE

2
6020
3
6002



B.D. REF :

STATEMENT II : THE WORKS SHOWN ON THESE PLANS ARE TYPE II WORKS IN RESPECT OF WHICH THE BUILDING AUTHORITY'S CONSENT IS APPLIED FOR
NEW DRAWING

CLIENT :
信和置業有限公司
Sino Land Company Limited

ARCHITECT :
WONG TUNG & PARTNERS LIMITED
ARCHITECTS & PLANNERS
WT

MAIN CONTRACTOR :
CR Construction Company Limited

STRUCTURAL ENGINEER :
AECOM

FACADE CONSULTANT:
AECOM

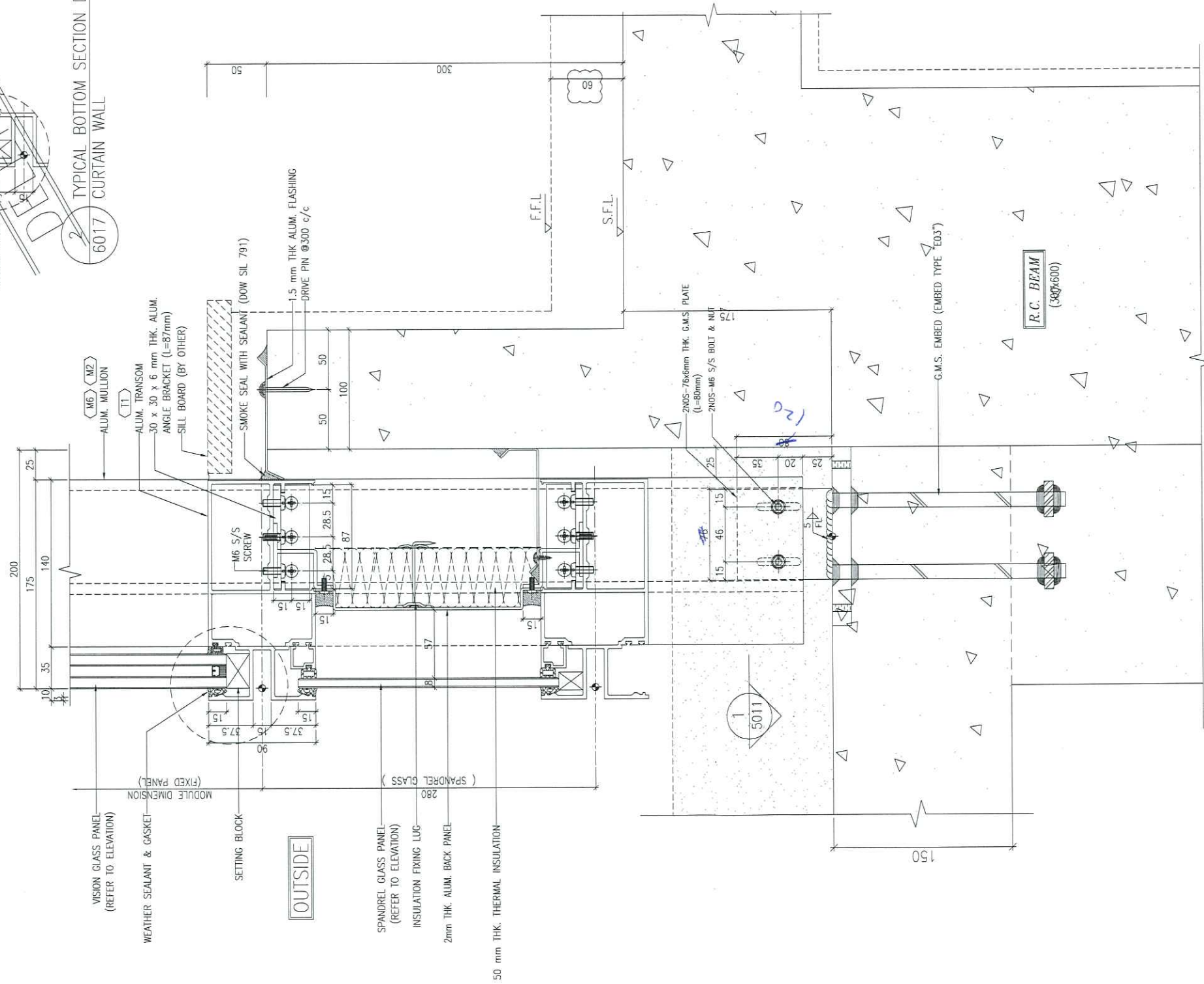
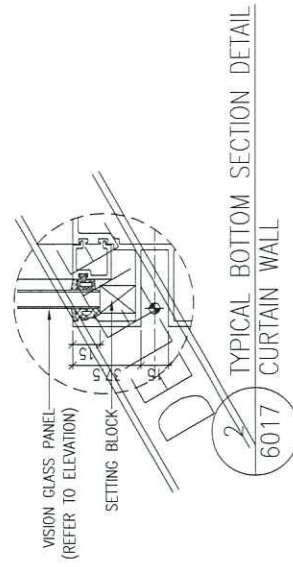
NOTE :
1. ALL DIMENSIONS ARE IN mm.
2. ALL ELEVATIONS ARE VIEWED FROM OUTSIDE.
3. ALL DIMENSIONS TO BE VERIFIED ON SITE BEFORE FABRICATION.

LEGEND :
⊗ -- DETAIL MARK NO.
⊗ -- REFER SHEET NO.
1. F.F.L. -- FINISHED FLOOR LEVEL
2. S.F.L. -- STRUCTURAL FLOOR LEVEL
3. ⊗ -- REVERSED DETAIL

Plan Approved
Wong Kong Lo
Senior Structural Engineer
for BUILDING AUTHORITY
10 MAY 2019

AECOM Asia Company Limited
Wong Kong Lo
Registered Structural Engineer RSE 3081

NO.	DATE	REVISED	BY
JOB NO. : J-837			
PROJECT : URA KWUN TONG TOWN CENTRE REDEVELOPMENT (AREA 2 & 3) AT NKIL 6514, KWUN TONG, KWLOON			
TITLE : TYPICAL TRANSOM DETAIL FOR CURTAIN WALL			
DATE : 28-JAN-19		SCALE : 1:2 (A1)	
DRAWN BY : ASING		CHECKED BY : -	
美特鋁質有限公司 MIDI ALUMINIUM FABRICATOR LTD. Units 6-8, Sunray Industrial Centre, 1/F 610 Che Kwo Ling Road, Kowloon Tel: 23489211-4 Fax: (852) 2727665 DWG NO. : J837-BDCW-6020 REV. : -			



1 TYPICAL TRANSOM DETAIL
6017 CURTAIN WALL

REFER TO JB37-CW-2201

B.D. REF :

CLIENT :
信和置業有限公司
Sino Land Company Limited

ARCHITECT :
WONG TUNG & PARTNERS LIMITED
ARCHITECTS & PLANNERS
WT

MAIN CONTRACTOR :
CR Construction Company Limited

STRUCTURAL ENGINEER :
AECOM

FAÇADE CONSULTANT:
AECOM

NOTE :
1. ALL DIMENSIONS ARE IN mm.
2. ALL ELEVATIONS ARE VIEWED FROM OUTSIDE.
3. ALL DIMENSIONS TO BE VERIFIED ON SITE BEFORE FABRICATION.

LEGEND :
X1 --- DETAIL MARK NO.
X001 --- REFER SHEET NO.
1. F.F.L. --- FINISHED FLOOR LEVEL
2. S.F.L. --- STRUCTURAL FLOOR LEVEL
3. (R) --- REVERSED DETAIL

B	15/02/2019	GENERAL REVISED	
A	24/11/2018	GENERAL REVISED	
NO.	DATE	REVISED	BY

JOB NO. : J-837
PROJECT :
URA KWUN TONG TOWN CENTRE
REDEVELOPMENT (AREA 2 & 3) AT
NKIL 6514, KWUN TONG, KWLOON

TITLE :
TYPICAL TRANSOM DETAIL
FOR CURTAIN WALL

DATE : 13-JUL-18 SCALE : 1:2 (A1)

DRAWN BY : Asing CHECKED BY : -

美特鋁質有限公司
MIDI ALUMINIUM FABRICATOR LTD.
Units 6-8, Sunray Industrial Centre, 1/F
610 Cha Kwo Ling Road, Kowloon
Tel:23489211-4 Fax:(852)2727666

DWG NO. : JB37-CW-6017 REV. : B