



以 此 為 準

工程指示 / 要求簡箋(E.I.)

工程指示編號：EI / 1188 / 19 修改版次：
 工程編號：J - 837 工程名稱：觀塘裕民坊
 工程項目：後裝窗大圖 - 特式層 大 (冬)
 收件人：生統 / 永林 發件人：Bessie Lau 日期：01/11/2019

要求提供 / 確認 事項：

- | | | |
|------------------------------------|-------------------------------------|-------------------------------|
| <input type="checkbox"/> 初步鋁料 B.M. | <input type="checkbox"/> 加工拆圖，然後生產 | <input type="checkbox"/> 尺寸表 |
| <input type="checkbox"/> 正式鋁料 B.M. | <input type="checkbox"/> 技術上資料 / 指示 | <input type="checkbox"/> 報價 |
| <input type="checkbox"/> 配件 B.M. | <input type="checkbox"/> 樣辦或貨品說明書 | <input type="checkbox"/> 分判合約 |
| <input type="checkbox"/> 其他：_____ | | |

內容：
 原版本 EI/9626 已登記至丁版次 無法再登記，所以用
 煩請提供 特式層 後裝窗 BM，因則師未批圖，暫不用提供拆圖。 新 E.I.
 煩請先提供鋁料 BM，謝謝！

附 CAD 檔：拆圖用 J-837 後裝窗施工圖 第八版修改 (2019.11.1)

附件 PDF 檔只有特式層後裝窗的圖紙

請在 5/11/2019 前完成上列要求。

(不要重複計算 EI/9626/19 之前已計的標準層)

附有關圖紙 / 文件：

以上項目為：

- 原合約工程包 原合約工程加 / 減版 新工程報價

原因：-

分發東莞各部門：

- 大層 鋁料 BM EI/9839 拆 EI/9626/8B 計算
- | | | | |
|--|--|---|--|
| <input type="checkbox"/> 生產技術總監 <input type="checkbox"/> 連附件 | <input checked="" type="checkbox"/> 技術部 <input type="checkbox"/> 連附件 | <input type="checkbox"/> 生產部 <input type="checkbox"/> 連附件 | <input type="checkbox"/> 機械設計部 <input type="checkbox"/> 連附件 |
| <input type="checkbox"/> 採購部 <input type="checkbox"/> 連附件 | <input checked="" type="checkbox"/> 生產統籌部 <input type="checkbox"/> 連附件 | | |
| <input type="checkbox"/> 質檢部 <input type="checkbox"/> 連附件 | <input type="checkbox"/> 會計部 <input type="checkbox"/> 連附件 | <input type="checkbox"/> 報關組 <input type="checkbox"/> 連附件 | <input type="checkbox"/> 其他 _____ <input type="checkbox"/> 連附件 |

分發香港各部門：

- | | | | |
|---|--|---|--|
| <input type="checkbox"/> 行政部 <input type="checkbox"/> 連附件 | <input type="checkbox"/> 會計部 <input type="checkbox"/> 連附件 | <input type="checkbox"/> 統籌部 <input type="checkbox"/> 連附件 | <input type="checkbox"/> 工程部地盤科文 <input type="checkbox"/> 連附件 |
| <input type="checkbox"/> 採購部 <input type="checkbox"/> 連附件 | <input type="checkbox"/> QS 部 <input type="checkbox"/> 連附件 | <input type="checkbox"/> 維修部 <input type="checkbox"/> 連附件 | <input type="checkbox"/> 其他 _____ <input type="checkbox"/> 連附件 |

傳遞編號：

發件人簽署：

HC2253/19

項目經理簽署：

PP PP

大貨鉛料 BM EI/9839 指 EI/9626/18B 計算

以下窗張之前已計 (標準層) (EI/9626/18B 已有這些窗)

① T1W/E-3

② T2W/H-1

③ T3W/3 (Access Panel, EI/9626/18H 已有)

④ T5W/A-4

EI/9626/18B 已有以下窗張/鉛料 BM 應已計算, 現更新尺寸:

① T1W/D-6

② T3W/H-3

取消窗:

① T2W/G-4

PROJECT :

待出信

8

**URA KWUN TONG TOWN CENTRE
REDEVELOPMENT (AREA 2 & 3) AT NKIL 6514, KWUN TONG, KOWLOON**

只係 Bessie 簽名
(又係簽名)
1/11 更新 2w-2109
5003
5004
6005
6006
6011

**TITLE : SHOP DRAWING FOR
IN SITU ALUMINIUM WINDOW (FOR TOWER 1 TO TOWER 5) (FOR SPECIAL UNITS)**

DATE: 1 - NOV - 2019

DRAWING SUBMISSION REGISTER

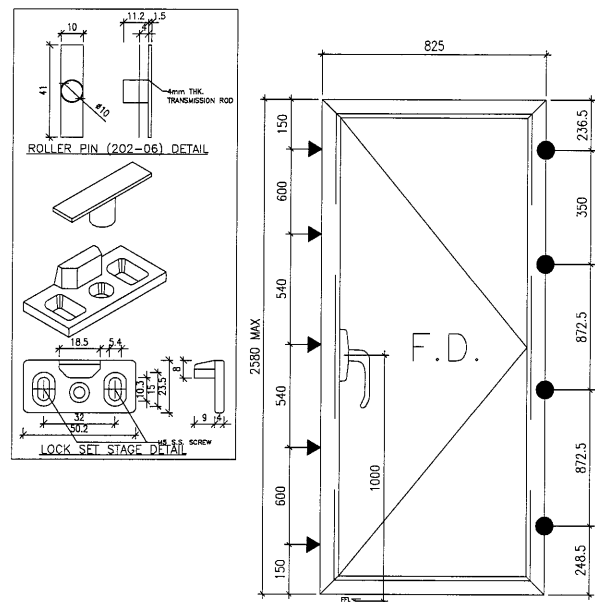
PROJECT: URA KWUN TONG TOWN CENTRE REDEVELOPMENT (AREA 2 & 3) AT NKIL 6514, KWUN TONG, KOWLOON	DATE OF ISSUE								SUBMISSION STATE (FOR B.D / A.S.D)			SUBMISSION STATE (FOR CLIENT / CONSULTANT)			SUBMISSION STATE (FOR ARCHITECT)			FABRICATION / CONSTRUCTION STATE							
	ISSUE	01	02	03	04	05	06	07	AP - APPROVED	AC - APPROVED SUB. TO CONDITION	NA - NOT APPROVED	AP - APPROVED	AC - APPROVED SUB. TO CONDITION	NA - NOT APPROVED	AP - APPROVED	AC - APPROVED SUB. TO CONDITION	NA - NOT APPROVED	ISSUE TO CHINA OFFICE	ISSUE TO SITE	ISSUE TO SUB-CONTRACTOR					
	DAY	09	16	13	13	6	1	21																	
	MONTH	07	08	11	12	3	8	8																	
	YEAR	18	18	18	18	19	19	19																	
TITLE: SHOPDRAWING FOR SHOPDRAWING FOR IN SITU ALUM. WINDOW	DRAWING TITLE	DWG. NO.	REVISIONS							COMMENT DATE	REV.	STATE	COMMENT DATE	REV.	STATE	COMMENT DATE	REV.	STATE	REV.	DATE	REV.	DATE	REV.	DATE	
TYPICAL ALUM. WINDOW SCHEDULE	J837-IW-2504	-	A	B	B	C	D	D																	
TYPICAL ALUM. WINDOW SCHEDULE	J837-IW-2505	-	A	B	B	B	B	B																	
TYPICAL ALUM. WINDOW SCHEDULE	J837-IW-2506	-	A	B	B	C	C	C																	
TYPICAL ALUM. WINDOW SCHEDULE	J837-IW-2507	-	A	B	B	C	C	C																	
TYPICAL ALUM. WINDOW SCHEDULE	J837-IW-2508					-	A	B																	
TYPICAL ALUM. WINDOW SCHEDULE	J837-IW-2509						-	-	A																
TYPICAL ALUM. WINDOW SCHEDULE	J837-IW-2510							-	A																
TYPICAL ALUM. WINDOW SCHEDULE	J837-IW-2511								-																
FULL PLAN LAYOUT (FOR T1 6/F FLOOR PLAN)	J837-IW-3101	-	-	A	B	C	C	C																	
FULL PLAN LAYOUT (FOR T1 TYPICAL FLOOR PLAN)	J837-IW-3102	-	-	A	B	C	C	C																	
FULL PLAN LAYOUT (FOR T1 50/F FLOOR PLAN)	J837-IW-3103	-	-	-	A	B	C	D																	
FULL PLAN LAYOUT (FOR T1 50/F FLOOR PLAN)	J837-IW-3104								-																
FULL PLAN LAYOUT (FOR T2 6/F FLOOR PLAN)	J837-IW-3201	-	-	A	B	C	C	C																	
FULL PLAN LAYOUT (FOR T2 TYPICAL FLOOR PLAN)	J837-IW-3202	-	-	A	B	C	C	C																	
FULL PLAN LAYOUT (FOR T2 55/F FLOOR PLAN)	J837-IW-3203	-	-	-	A	B	C	D																	
FULL PLAN LAYOUT (FOR T2 ROOF FLOOR PLAN)	J837-IW-3204	-	-	-	-	A	A	A																	
FULL PLAN LAYOUT (FOR T2 ROOF FLOOR PLAN)	J837-IW-3205								-																
FULL PLAN LAYOUT (FOR T3 6/F FLOOR PLAN)	J837-IW-3301	-	-	A	B	C	C	C																	
FULL PLAN LAYOUT (FOR T3 TYPICAL FLOOR PLAN)	J837-IW-3302	-	-	A	B	C	C	C																	
FULL PLAN LAYOUT (FOR T3 52/F FLOOR PLAN)	J837-IW-3303	-	-	-	A	B	C	D																	
FULL PLAN LAYOUT (FOR T3 52/F FLOOR PLAN)	J837-IW-3304								-																
FULL PLAN LAYOUT (FOR T5 6/F FLOOR PLAN)	J837-IW-3501	-	-	-	A	B	B	B																	
FULL PLAN LAYOUT (FOR T5 TYPICAL FLOOR PLAN)	J837-IW-3502	-	-	A	B	C	C	C																	
FULL PLAN LAYOUT (FOR T5 TYPICAL FLOOR PLAN)	J837-IW-3503	-	-	A	B	C	C	C																	
FULL PLAN LAYOUT (FOR T5 51F FLOOR PLAN)	J837-IW-3504						-	A	A																
FULL PLAN LAYOUT (FOR T5 51F FLOOR PLAN)	J837-IW-3505								-																
TYPICAL DETAIL FOR ALUM. WINDOW	J837-IW-5001	-	-	A	A	A	A	A																	
TYPICAL DETAIL FOR ALUM. WINDOW	J837-IW-5002	-	-	A	A	A	B	B																	
TYPICAL DETAIL FOR ALUM. WINDOW	J837-IW-5003								-																
TYPICAL DETAIL FOR ALUM. WINDOW	J837-IW-5004								-																
TYPICAL DETAIL FOR ALUM. WINDOW	J837-IW-5005								-																
TYPICAL DETAIL FOR ALUM. WINDOW	J837-IW-5006								-																
TYPICAL DETAIL FOR ALUM. WINDOW	J837-IW-5007								-																
TYPICAL DETAIL FOR ALUM. WINDOW	J837-IW-5008								-																
TYPICAL DETAIL FOR ALUM. WINDOW	J837-IW-5009								-																
TYPICAL DETAIL FOR ALUM. WINDOW	J837-IW-6001	-	A	A	A	B	B	B																	
TYPICAL DETAIL FOR ALUM. WINDOW	J837-IW-6002	-	-	A	A	B	B	B																	
TYPICAL DETAIL FOR ALUM. WINDOW	J837-IW-6003	-	-	A	A	B	B	B																	
TYPICAL DETAIL FOR ALUM. WINDOW	J837-IW-6004	-	-	A	B	B	B	B																	
TYPICAL DETAIL FOR ALUM. WINDOW	J837-IW-6005						-	A	A																
TYPICAL DETAIL FOR ALUM. WINDOW	J837-IW-6006								-																
TYPICAL DETAIL FOR ALUM. WINDOW	J837-IW-6007								-																
TYPICAL DETAIL FOR ALUM. WINDOW	J837-IW-6008								-																
TYPICAL DETAIL FOR ALUM. WINDOW	J837-IW-6009								-																
TYPICAL DETAIL FOR ALUM. WINDOW	J837-IW-6010								-																

IN-HOUSE DESIGN CHECKER


美特鋁質有限公司
MIDI ALUMINIUM FABRICATOR LTD.
 Units 6-8, Sunray Industrial Centre, 1/F
 610 Cha Kwo Ling Road, Kowloon
 Tel: 23489211-4 Fax: (852) 27727666

DWG NO. : J837-IW-0002 REV. : F

GENERAL NOTES FOR ALUM. WINDOW



MAXIMUM SIZE FOR NON-TYPICAL FLOORS(MAX. HEIGHT T1W/D-6)

B.D. REF :


CLIENT :

 信和置業有限公司
Sino Land Company Limited

ARCHITECT :

WONG TUNG & PARTNERS LIMITED
ARCHITECTS & PLANNERS


MAIN CONTRACTOR :

 CR Construction Company Limited

STRUCTURAL ENGINEER :

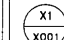
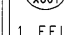


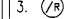
FACADE CONSULTANT:

NOTE :

1. ALL DIMENSIONS ARE IN mm.
2. ALL ELEVATIONS ARE VIEWED FROM OUTSIDE.
3. ALL DIMENSIONS TO BE VERIFIED ON SITE BEFORE FABRICATION.

LEGEND :

-  X1 --- DETAIL MARK NO.
-  X001 --- REFER SHEET NO.

1. F.F.L. --- FINISHED FLOOR LEVEL
2. S.F.L. --- STRUCTURAL FLOOR LEVEL
3.  --- REVERSED DETAIL

NO.	DATE	REVISED	BY

JOB NO. : J-837

PROJECT :
URA KWUN TONG TOWN CENTRE
REDEVELOPMENT (AREA 2 & 3) AT
NKIL 6514, KWUN TONG, KOWLOON

TITLE :

GENERAL NOTES OF ALUM. WINDOW

DATE : 09-JUL-18 SCALE : 1:###

DRAWN BY : Zeng CHECKED BY : DW

 英特鋁質有限公司
MIDI ALUMINIUM FABRICATOR LTD.
Units 6-8, Sunray Industrial Centre, 1/F
610 Cha Kwo Ling Road, Kowloon
Tel: 23489211-4 Fax: (852) 2727666

DWG NO. : J837-1W-0003A REV. : -

ALUM. WINDOW FRAME	COATING --- PVF2 COATING	ALUM. WINDOW SASH	COATING --- PVF2 COATING	ALUM. TRANSOM	COATING --- PVF2 COATING	ALUM. ANGLE	COATING --- PVF2 COATING	ALUM. GLAZING BEAD	COATING --- PVF2 COATING
GRADE --- 6063-T5	X846370	GRADE --- 6063-T5	X846540	GRADE --- 6063-T5	X846100	GRADE --- 6063-T5	X844890	GRADE --- 6063-T5	X846550
MASS PROPERTIES (UNIT)	VALUES	MASS PROPERTIES (UNIT)	VALUES	MASS PROPERTIES (UNIT)	VALUES	MASS PROPERTIES (UNIT)	VALUES	MASS PROPERTIES (UNIT)	VALUES
Area (mm ²):	270.56	Area (mm ²):	365.44	Area (mm ²):	532.53	Area (mm ²):	88.89	Area (mm ²):	92.95
Perimeter (mm):	239.01	Perimeter (mm):	331.13	Perimeter (mm):	451.29	Perimeter (mm):	70.80	Perimeter (mm):	166.49
Bounding Box - X (mm):	-19.98 to 22.02	Bounding Box - X (mm):	-24.11 to 23.89	Bounding Box - X (mm):	-24.66 to 25.34	Bounding Box - X (mm):	-5.26 to 12.74	Bounding Box - X (mm):	-18.48 to 29.22
Bounding Box - Y (mm):	-27.34 to 22.66	Bounding Box - Y (mm):	-19.86 to 30.34	Bounding Box - Y (mm):	-31.76 to 31.24	Bounding Box - Y (mm):	-13.05 to 5.95	Bounding Box - Y (mm):	-10.88 to 8.09
Centroid - X (mm):	0.00	Centroid - X (mm):	0.00	Centroid - X (mm):	0.00	Centroid - X (mm):	0.00	Centroid - X (mm):	0.00
Centroid - Y (mm):	0.00	Centroid - Y (mm):	0.00	Centroid - Y (mm):	0.00	Centroid - Y (mm):	0.00	Centroid - Y (mm):	0.00
Moments of inertia - X (mm ⁴):	105795.49	Moments of inertia - X (mm ⁴):	110220.71	Moments of inertia - X (mm ⁴):	90114.79	Moments of inertia - X (mm ⁴):	2363.75	Moments of inertia - X (mm ⁴):	4659.96
Moments of inertia - Y (mm ⁴):	18752.42	Moments of inertia - Y (mm ⁴):	26130.11	Moments of inertia - Y (mm ⁴):	180076.93	Moments of inertia - Y (mm ⁴):	1945.17	Moments of inertia - Y (mm ⁴):	19179.41
Product of inertia - XY (mm ⁴):	17502.93	Product of inertia - XY (mm ⁴):	410.30	Product of inertia - XY (mm ⁴):	41817.33	Product of inertia - XY (mm ⁴):	1408.79	Product of inertia - XY (mm ⁴):	-4156.34
Radii of gyration - X (mm):	19.77	Radii of gyration - X (mm):	17.37	Radii of gyration - X (mm):	13.01	Radii of gyration - X (mm):	5.87	Radii of gyration - X (mm):	7.08
Radii of gyration - Y (mm):	8.33	Radii of gyration - Y (mm):	8.46	Radii of gyration - Y (mm):	18.39	Radii of gyration - Y (mm):	5.33	Radii of gyration - Y (mm):	14.36
Principal moments along X-Y (mm ⁴):	15364.72 along [0.19 0.98]	Principal moments along X-Y (mm ⁴):	26128.11 along [0.00 1.00]	Principal moments along X-Y (mm ⁴):	73679.36 along [0.93 0.37]	Principal moments along X-Y (mm ⁴):	730.21 along [0.65 0.76]	Principal moments along X-Y (mm ⁴):	3554.36 along [0.97 -0.28]
Principal moments along Y-X (mm ⁴):	109183.20 along [-0.98 0.19]	Principal moments along Y-X (mm ⁴):	110222.71 along [-1.00 0.00]	Principal moments along Y-X (mm ⁴):	196512.35 along [-0.37 0.93]	Principal moments along Y-X (mm ⁴):	3578.71 along [-0.76 0.65]	Principal moments along Y-X (mm ⁴):	20285.02 along [0.26 0.97]
Elastic Modulus - Zx (mm ²):	1 / y-max= 3869.39	Elastic Modulus - Zx (mm ²):	1 / y-max= 3632.50	Elastic Modulus - Zx (mm ²):	1 / y-max= 2837.46	Elastic Modulus - Zx (mm ²):	1 / y-max= 181.08	Elastic Modulus - Zx (mm ²):	1 / y-max= 428.23
Elastic Modulus - Zy (mm ²):	J / x-max= 851.70	Elastic Modulus - Zy (mm ²):	J / x-max= 1083.83	Elastic Modulus - Zy (mm ²):	J / x-max= 7107.20	Elastic Modulus - Zy (mm ²):	J / x-max= 152.63	Elastic Modulus - Zy (mm ²):	J / x-max= 656.46
MASS PROPERTIES (UNIT)	VALUES	MASS PROPERTIES (UNIT)	VALUES	MASS PROPERTIES (UNIT)	VALUES	MASS PROPERTIES (UNIT)	VALUES	MASS PROPERTIES (UNIT)	VALUES
Area (mm ²):	283.14	Area (mm ²):	540.90	Area (mm ²):	569.02	Area (mm ²):	28.23	Area (mm ²):	581.94
Perimeter (mm):	271.22	Perimeter (mm):	488.40	Perimeter (mm):	468.40	Perimeter (mm):	48.74	Perimeter (mm):	496.78
Bounding Box - X (mm):	-22.25 to 22.75	Bounding Box - X (mm):	-37.31 to 37.69	Bounding Box - X (mm):	-36.63 to 23.37	Bounding Box - X (mm):	-1.87 to 6.13	Bounding Box - X (mm):	-66.03 to 40.97
Bounding Box - Y (mm):	-18.91 to 31.09	Bounding Box - Y (mm):	-20.97 to 29.00	Bounding Box - Y (mm):	-31.40 to 31.60	Bounding Box - Y (mm):	-6.87 to 10.63	Bounding Box - Y (mm):	-21.93 to 28.07
Centroid - X (mm):	0.00	Centroid - X (mm):	0.00	Centroid - X (mm):	0.00	Centroid - X (mm):	0.00	Centroid - X (mm):	0.00
Centroid - Y (mm):	0.00	Centroid - Y (mm):	0.00	Centroid - Y (mm):	0.00	Centroid - Y (mm):	0.00	Centroid - Y (mm):	0.00
Moments of inertia - X (mm ⁴):	93810.89	Moments of inertia - X (mm ⁴):	195925.79	Moments of inertia - X (mm ⁴):	91392.16	Moments of inertia - X (mm ⁴):	828.53	Moments of inertia - X (mm ⁴):	233746.24
Moments of inertia - Y (mm ⁴):	24561.24	Moments of inertia - Y (mm ⁴):	158048.33	Moments of inertia - Y (mm ⁴):	196988.27	Moments of inertia - Y (mm ⁴):	130.95	Moments of inertia - Y (mm ⁴):	340469.58
Product of inertia - XY (mm ⁴):	1093.85	Product of inertia - XY (mm ⁴):	-7238.86	Product of inertia - XY (mm ⁴):	1825.37	Product of inertia - XY (mm ⁴):	-210.35	Product of inertia - XY (mm ⁴):	141627.30
Radii of gyration - X (mm):	18.20	Radii of gyration - X (mm):	19.03	Radii of gyration - X (mm):	12.67	Radii of gyration - X (mm):	5.42	Radii of gyration - X (mm):	20.04
Radii of gyration - Y (mm):	9.31	Radii of gyration - Y (mm):	17.09	Radii of gyration - Y (mm):	18.61	Radii of gyration - Y (mm):	2.15	Radii of gyration - Y (mm):	24.19
Principal moments along X-Y (mm ⁴):	24543.97 along [0.02 1.00]	Principal moments along X-Y (mm ⁴):	156712.03 along [0.18 -0.98]	Principal moments along X-Y (mm ⁴):	91360.61 along [1.00 0.02]	Principal moments along X-Y (mm ⁴):	72.43 along [0.27 -0.96]	Principal moments along X-Y (mm ⁴):	135761.43 along [0.82 0.57]
Principal moments along Y-X (mm ⁴):	93828.16 along [-1.00 0.02]	Principal moments along Y-X (mm ⁴):	197262.09 along [0.98 0.18]	Principal moments along Y-X (mm ⁴):	197019.81 along [-0.02 1.00]	Principal moments along Y-X (mm ⁴):	887.05 along [0.96 0.27]	Principal moments along Y-X (mm ⁴):	438454.40 along [-0.57 0.82]
Elastic Modulus - Zx (mm ²):	1 / y-max= 3017.04	Elastic Modulus - Zx (mm ²):	1 / y-max= 6756.53	Elastic Modulus - Zx (mm ²):	1 / y-max= 2892.07	Elastic Modulus - Zx (mm ²):	1 / y-max= 77.98	Elastic Modulus - Zx (mm ²):	1 / y-max= 6327.83
Elastic Modulus - Zy (mm ²):	J / x-max= 1079.53	Elastic Modulus - Zy (mm ²):	J / x-max= 4193.27	Elastic Modulus - Zy (mm ²):	J / x-max= 5377.10	Elastic Modulus - Zy (mm ²):	J / x-max= 21.36	Elastic Modulus - Zy (mm ²):	J / x-max= 5155.91
MASS PROPERTIES (UNIT)	VALUES	MASS PROPERTIES (UNIT)	VALUES	MASS PROPERTIES (UNIT)	VALUES	MASS PROPERTIES (UNIT)	VALUES	MASS PROPERTIES (UNIT)	VALUES
Area (mm ²):	342.82	Area (mm ²):	334.63	Area (mm ²):	330.84	Area (mm ²):	551.75	Area (mm ²):	682.96
Perimeter (mm):	289.03	Perimeter (mm):	280.08	Perimeter (mm):	238.46	Perimeter (mm):	453.07	Perimeter (mm):	589.81
Bounding Box - X (mm):	-34.70 to 25.30	Bounding Box - X (mm):	-25.63 to 24.37	Bounding Box - X (mm):	-25.07 to 24.93	Bounding Box - X (mm):	-22.16 to 27.84	Bounding Box - X (mm):	-26.40 to 23.60
Bounding Box - Y (mm):	-22.51 to 19.49	Bounding Box - Y (mm):	-24.00 to 23.00	Bounding Box - Y (mm):	-32.39 to 33.36	Bounding Box - Y (mm):	-31.50 to 31.50	Bounding Box - Y (mm):	-39.77 to 49.23
Centroid - X (mm):	0.00	Centroid - X (mm):	0.00	Centroid - X (mm):	0.00	Centroid - X (mm):	0.00	Centroid - X (mm):	0.00
Centroid - Y (mm):	0.00	Centroid - Y (mm):	0.00	Centroid - Y (mm):	0.00	Centroid - Y (mm):	0.00	Centroid - Y (mm):	0.00
Moments of inertia - X (mm ⁴):	19354.31	Moments of inertia - X (mm ⁴):	24425.84	Moments of inertia - X (mm ⁴):	131492.97	Moments of inertia - X (mm ⁴):	91721.96	Moments of inertia - X (mm ⁴):	478758.09
Moments of inertia - Y (mm ⁴):	134266.31	Moments of inertia - Y (mm ⁴):	122970.95	Moments of inertia - Y (mm ⁴):	90239.64	Moments of inertia - Y (mm ⁴):	177487.49	Moments of inertia - Y (mm ⁴):	272129.49
Product of inertia - XY (mm ⁴):	-20546.96	Product of inertia - XY (mm ⁴):	23999.62	Product of inertia - XY (mm ⁴):	105727.93	Product of inertia - XY (mm ⁴):	0.00	Product of inertia - XY (mm ⁴):	39011.03
Radii of gyration - X (mm):	7.51	Radii of gyration - X (mm):	8.54	Radii of gyration - X (mm):	19.94	Radii of gyration - X (mm):	12.89	Radii of gyration - X (mm):	26.48
Radii of gyration - Y (mm):	19.79	Radii of gyration - Y (mm):	19.17	Radii of gyration - Y (mm):	16.52	Radii of gyration - Y (mm):	17.94	Radii of gyration - Y (mm):	19.96
Principal moments along X-Y (mm ⁴):	15790.88 along [0.99 -0.17]	Principal moments along X-Y (mm ⁴):	18891.77 along [0.97 0.22]	Principal moments along X-Y (mm ⁴):	3145.12 along [0.64 0.77]	Principal moments along X-Y (mm ⁴):	91721.96 along [1.00 0.00]	Principal moments along X-Y (mm ⁴):	265009.62 along [0.18 0.98]
Principal moments along Y-X (mm ⁴):	137829.73 along [-0.17 0.99]	Principal moments along Y-X (mm ⁴):	128505.03 along [-0.22 0.97]	Principal moments along Y-X (mm ⁴):	218587.49 along [-0.77 0.64]	Principal moments along Y-X (mm ⁴):	887.05 along [0.96 0.27]	Principal moments along Y-X (mm ⁴):	488877.95 along [-0.98 0.18]
Elastic Modulus - Zx (mm ²):	1 / y-max= 859.69	Elastic Modulus - Zx (mm ²):	1 / y-max= 1017.71	Elastic Modulus - Zx (mm ²):	1 / y-max= 3941.11	Elastic Modulus - Zx (mm ²):	1 / y-max= 2911.81	Elastic Modulus - Zx (mm ²):	1 / y-max= 9725.74
Elastic Modulus - Zy (mm ²):	J / x-max= 3869.35	Elastic Modulus - Zy (mm ²):	J / x-max= 4798.43	Elastic Modulus - Zy (mm ²):	J / x-max= 3598.91	Elastic Modulus - Zy (mm ²):	J / x-max= 6374.92	Elastic Modulus - Zy (mm ²):	J / x-max= 10306.83

B.D. REF :

CLIENT :

 Sino Land Company Limited

ARCHITECT :

 WONG TUNG & PARTNERS LIMITED
 ARCHITECTS & PLANNERS

MAIN CONTRACTOR :

 CR Construction Company Limited

STRUCTURAL ENGINEER :

 AECOM

FACADE CONSULTANT :

NOTE :
 1. ALL DIMENSIONS ARE IN mm.
 2. ALL ELEVATIONS ARE VIEWED FROM OUTSIDE.
 3. ALL DIMENSIONS TO BE VERIFIED ON SITE BEFORE FABRICATION.

LEGEND :

 X1 --- DETAIL MARK NO.
 X001 --- REFER SHEET NO.

1. F.F.L. --- FINISHED FLOOR LEVEL
 2. S.F.L. --- STRUCTURAL FLOOR LEVEL
 3. (R) --- REVERSED DETAIL

A	2018/10/10	BY ARCHITECT COMMENT	Zeng
NO.	DATE	REVISED	BY

JOB NO. : J-837

PROJECT :
 URA KWUN TONG TOWN CENTRE
 REDEVELOPMENT (AREA 2 & 3) AT
 NKIL 6514, KWUN TONG, KOWLOON

TITLE :
 SECTION PROFILE FOR
 ALUM. WINDOW (IN SITU WINDOW)

DATE : 09-JUL-18 SCALE : 1:2

DRAWN BY : Zeng CHECKED BY : DW

MIDI ALUMINIUM FABRICATOR LTD.
 Units 6-8, Sunray Industrial Centre, 1/F
 610 Cho Kwo Ling Road, Kowloon
 Tel:23489211-4 Fax:(852)27276566

DWG NO. : J837-IW-0004 REV. : A

A40 --- ALUM. WINDOW FRAME		COATING --- PVF2 COATING		A41 --- ALUM. WINDOW TRANSOM		COATING --- PVF2 COATING		A42 --- ALUM. WINDOW FRAME		COATING --- PVF2 COATING		A43 --- ALUM. WINDOW TRANSOM		COATING --- PVF2 COATING		A44 --- ALUM. WINDOW FRAME		COATING --- PVF2 COATING																																																																																																																																																							
GRADE --- 6063-T5		X846420		GRADE --- 6063-T5		X846010		GRADE --- 6063-T5		X846060		GRADE --- 6063-T5		X848890		GRADE --- 6063-T5		X856530																																																																																																																																																							
<table border="1"> <thead> <tr><th>MASS PROPERTIES (UNIT)</th><th>VALUES</th></tr> </thead> <tbody> <tr><td>Area (mm²):</td><td>318.69</td></tr> <tr><td>Perimeter (mm):</td><td>284.07</td></tr> <tr><td>Bounding Box - X (mm):</td><td>-20.28 to 29.72</td></tr> <tr><td>Bounding Box - Y (mm):</td><td>-24.04 to 22.96</td></tr> <tr><td>Centroid - X (mm):</td><td>0.00</td></tr> <tr><td>Centroid - Y (mm):</td><td>0.00</td></tr> <tr><td>Moments of inertia - X (mm⁴):</td><td>24494.01</td></tr> <tr><td>Moments of inertia - Y (mm⁴):</td><td>115740.66</td></tr> <tr><td>Product of inertia - XY (mm⁴):</td><td>-3432.34</td></tr> <tr><td>Radii of gyration - X (mm):</td><td>8.77</td></tr> <tr><td>Radii of gyration - Y (mm):</td><td>19.06</td></tr> <tr><td>Principal moments along X-Y (mm⁴):</td><td>24365.08 along [1.00 -0.04]</td></tr> <tr><td>Principal moments along Y-X (mm⁴):</td><td>115869.58 along [0.04 1.00]</td></tr> <tr><td>Elastic Modulus - Zx (mm²):</td><td>I / y-max= 1019.03</td></tr> <tr><td>Elastic Modulus - Zy (mm²):</td><td>J / x-max= 3894.45</td></tr> </tbody> </table>		MASS PROPERTIES (UNIT)	VALUES	Area (mm ²):	318.69	Perimeter (mm):	284.07	Bounding Box - X (mm):	-20.28 to 29.72	Bounding Box - Y (mm):	-24.04 to 22.96	Centroid - X (mm):	0.00	Centroid - Y (mm):	0.00	Moments of inertia - X (mm ⁴):	24494.01	Moments of inertia - Y (mm ⁴):	115740.66	Product of inertia - XY (mm ⁴):	-3432.34	Radii of gyration - X (mm):	8.77	Radii of gyration - Y (mm):	19.06	Principal moments along X-Y (mm ⁴):	24365.08 along [1.00 -0.04]	Principal moments along Y-X (mm ⁴):	115869.58 along [0.04 1.00]	Elastic Modulus - Zx (mm ²):	I / y-max= 1019.03	Elastic Modulus - Zy (mm ²):	J / x-max= 3894.45	<table border="1"> <thead> <tr><th>MASS PROPERTIES (UNIT)</th><th>VALUES</th></tr> </thead> <tbody> <tr><td>Area (mm²):</td><td>379.57</td></tr> <tr><td>Perimeter (mm):</td><td>321.68</td></tr> <tr><td>Bounding Box - X (mm):</td><td>-34.14 to 25.87</td></tr> <tr><td>Bounding Box - Y (mm):</td><td>-24.62 to 27.38</td></tr> <tr><td>Centroid - X (mm):</td><td>0.00</td></tr> <tr><td>Centroid - Y (mm):</td><td>0.00</td></tr> <tr><td>Moments of inertia - X (mm⁴):</td><td>35739.66</td></tr> <tr><td>Moments of inertia - Y (mm⁴):</td><td>154741.21</td></tr> <tr><td>Product of inertia - XY (mm⁴):</td><td>-27691.94</td></tr> <tr><td>Radii of gyration - X (mm):</td><td>9.70</td></tr> <tr><td>Radii of gyration - Y (mm):</td><td>20.19</td></tr> <tr><td>Principal moments along X-Y (mm⁴):</td><td>29611.28 along [0.98 -0.22]</td></tr> <tr><td>Principal moments along Y-X (mm⁴):</td><td>160869.59 along [0.22 0.98]</td></tr> <tr><td>Elastic Modulus - Zx (mm²):</td><td>I / y-max= 1305.31</td></tr> <tr><td>Elastic Modulus - Zy (mm²):</td><td>J / x-max= 4532.92</td></tr> </tbody> </table>		MASS PROPERTIES (UNIT)	VALUES	Area (mm ²):	379.57	Perimeter (mm):	321.68	Bounding Box - X (mm):	-34.14 to 25.87	Bounding Box - Y (mm):	-24.62 to 27.38	Centroid - X (mm):	0.00	Centroid - Y (mm):	0.00	Moments of inertia - X (mm ⁴):	35739.66	Moments of inertia - Y (mm ⁴):	154741.21	Product of inertia - XY (mm ⁴):	-27691.94	Radii of gyration - X (mm):	9.70	Radii of gyration - Y (mm):	20.19	Principal moments along X-Y (mm ⁴):	29611.28 along [0.98 -0.22]	Principal moments along Y-X (mm ⁴):	160869.59 along [0.22 0.98]	Elastic Modulus - Zx (mm ²):	I / y-max= 1305.31	Elastic Modulus - Zy (mm ²):	J / x-max= 4532.92	<table border="1"> <thead> <tr><th>MASS PROPERTIES (UNIT)</th><th>VALUES</th></tr> </thead> <tbody> <tr><td>Area (mm²):</td><td>253.97</td></tr> <tr><td>Perimeter (mm):</td><td>227.28</td></tr> <tr><td>Bounding Box - X (mm):</td><td>-20.56 to 11.44</td></tr> <tr><td>Bounding Box - Y (mm):</td><td>-27.20 to 22.80</td></tr> <tr><td>Centroid - X (mm):</td><td>0.00</td></tr> <tr><td>Centroid - Y (mm):</td><td>0.00</td></tr> <tr><td>Moments of inertia - X (mm⁴):</td><td>89284.33</td></tr> <tr><td>Moments of inertia - Y (mm⁴):</td><td>11809.41</td></tr> <tr><td>Product of inertia - XY (mm⁴):</td><td>-14236.24</td></tr> <tr><td>Radii of gyration - X (mm):</td><td>18.75</td></tr> <tr><td>Radii of gyration - Y (mm):</td><td>6.82</td></tr> <tr><td>Principal moments along X-Y (mm⁴):</td><td>9276.28 along [0.18 -0.98]</td></tr> <tr><td>Principal moments along Y-X (mm⁴):</td><td>91817.45 along [0.98 0.18]</td></tr> <tr><td>Elastic Modulus - Zx (mm²):</td><td>I / y-max= 3282.45</td></tr> <tr><td>Elastic Modulus - Zy (mm²):</td><td>J / x-max= 574.35</td></tr> </tbody> </table>		MASS PROPERTIES (UNIT)	VALUES	Area (mm ²):	253.97	Perimeter (mm):	227.28	Bounding Box - X (mm):	-20.56 to 11.44	Bounding Box - Y (mm):	-27.20 to 22.80	Centroid - X (mm):	0.00	Centroid - Y (mm):	0.00	Moments of inertia - X (mm ⁴):	89284.33	Moments of inertia - Y (mm ⁴):	11809.41	Product of inertia - XY (mm ⁴):	-14236.24	Radii of gyration - X (mm):	18.75	Radii of gyration - Y (mm):	6.82	Principal moments along X-Y (mm ⁴):	9276.28 along [0.18 -0.98]	Principal moments along Y-X (mm ⁴):	91817.45 along [0.98 0.18]	Elastic Modulus - Zx (mm ²):	I / y-max= 3282.45	Elastic Modulus - Zy (mm ²):	J / x-max= 574.35	<table border="1"> <thead> <tr><th>MASS PROPERTIES (UNIT)</th><th>VALUES</th></tr> </thead> <tbody> <tr><td>Area (mm²):</td><td>1496.04</td></tr> <tr><td>Perimeter (mm):</td><td>521.49</td></tr> <tr><td>Bounding Box - X (mm):</td><td>-21.00 to 21.00</td></tr> <tr><td>Bounding Box - Y (mm):</td><td>-48.68 to 51.32</td></tr> <tr><td>Centroid - X (mm):</td><td>0.00</td></tr> <tr><td>Centroid - Y (mm):</td><td>0.00</td></tr> <tr><td>Moments of inertia - X (mm⁴):</td><td>1712983.60</td></tr> <tr><td>Moments of inertia - Y (mm⁴):</td><td>201590.01</td></tr> <tr><td>Product of inertia - XY (mm⁴):</td><td>0.00</td></tr> <tr><td>Radii of gyration - X (mm):</td><td>33.84</td></tr> <tr><td>Radii of gyration - Y (mm):</td><td>11.61</td></tr> <tr><td>Principal moments along X-Y (mm⁴):</td><td>201590.01 along [0.00 1.00]</td></tr> <tr><td>Principal moments along Y-X (mm⁴):</td><td>1712983.60 along [-1.00 0.00]</td></tr> <tr><td>Elastic Modulus - Zx (mm²):</td><td>I / y-max= 33375.24</td></tr> <tr><td>Elastic Modulus - Zy (mm²):</td><td>J / x-max= 9597.66</td></tr> </tbody> </table>		MASS PROPERTIES (UNIT)	VALUES	Area (mm ²):	1496.04	Perimeter (mm):	521.49	Bounding Box - X (mm):	-21.00 to 21.00	Bounding Box - Y (mm):	-48.68 to 51.32	Centroid - X (mm):	0.00	Centroid - Y (mm):	0.00	Moments of inertia - X (mm ⁴):	1712983.60	Moments of inertia - Y (mm ⁴):	201590.01	Product of inertia - XY (mm ⁴):	0.00	Radii of gyration - X (mm):	33.84	Radii of gyration - Y (mm):	11.61	Principal moments along X-Y (mm ⁴):	201590.01 along [0.00 1.00]	Principal moments along Y-X (mm ⁴):	1712983.60 along [-1.00 0.00]	Elastic Modulus - Zx (mm ²):	I / y-max= 33375.24	Elastic Modulus - Zy (mm ²):	J / x-max= 9597.66	<table border="1"> <thead> <tr><th>MASS PROPERTIES (UNIT)</th><th>VALUES</th></tr> </thead> <tbody> <tr><td>Area (mm²):</td><td>819.84</td></tr> <tr><td>Perimeter (mm):</td><td>667.18</td></tr> <tr><td>Bounding Box - X (mm):</td><td>-56.54 to 48.96</td></tr> <tr><td>Bounding Box - Y (mm):</td><td>-25.22 to 24.78</td></tr> <tr><td>Centroid - X (mm):</td><td>0.00</td></tr> <tr><td>Centroid - Y (mm):</td><td>0.00</td></tr> <tr><td>Moments of inertia - X (mm⁴):</td><td>322996.07</td></tr> <tr><td>Moments of inertia - Y (mm⁴):</td><td>510772.31</td></tr> <tr><td>Product of inertia - XY (mm⁴):</td><td>-14591.37</td></tr> <tr><td>Radii of gyration - X (mm):</td><td>19.85</td></tr> <tr><td>Radii of gyration - Y (mm):</td><td>24.96</td></tr> <tr><td>Principal moments along X-Y (mm⁴):</td><td>321868.99 along [1.00 -0.08]</td></tr> <tr><td>Principal moments along Y-X (mm⁴):</td><td>511899.39 along [0.08 1.00]</td></tr> <tr><td>Elastic Modulus - Zx (mm²):</td><td>I / y-max= 12808.63</td></tr> <tr><td>Elastic Modulus - Zy (mm²):</td><td>J / x-max= 9033.23</td></tr> </tbody> </table>		MASS PROPERTIES (UNIT)	VALUES	Area (mm ²):	819.84	Perimeter (mm):	667.18	Bounding Box - X (mm):	-56.54 to 48.96	Bounding Box - Y (mm):	-25.22 to 24.78	Centroid - X (mm):	0.00	Centroid - Y (mm):	0.00	Moments of inertia - X (mm ⁴):	322996.07	Moments of inertia - Y (mm ⁴):	510772.31	Product of inertia - XY (mm ⁴):	-14591.37	Radii of gyration - X (mm):	19.85	Radii of gyration - Y (mm):	24.96	Principal moments along X-Y (mm ⁴):	321868.99 along [1.00 -0.08]	Principal moments along Y-X (mm ⁴):	511899.39 along [0.08 1.00]	Elastic Modulus - Zx (mm ²):	I / y-max= 12808.63	Elastic Modulus - Zy (mm ²):	J / x-max= 9033.23
MASS PROPERTIES (UNIT)	VALUES																																																																																																																																																																								
Area (mm ²):	318.69																																																																																																																																																																								
Perimeter (mm):	284.07																																																																																																																																																																								
Bounding Box - X (mm):	-20.28 to 29.72																																																																																																																																																																								
Bounding Box - Y (mm):	-24.04 to 22.96																																																																																																																																																																								
Centroid - X (mm):	0.00																																																																																																																																																																								
Centroid - Y (mm):	0.00																																																																																																																																																																								
Moments of inertia - X (mm ⁴):	24494.01																																																																																																																																																																								
Moments of inertia - Y (mm ⁴):	115740.66																																																																																																																																																																								
Product of inertia - XY (mm ⁴):	-3432.34																																																																																																																																																																								
Radii of gyration - X (mm):	8.77																																																																																																																																																																								
Radii of gyration - Y (mm):	19.06																																																																																																																																																																								
Principal moments along X-Y (mm ⁴):	24365.08 along [1.00 -0.04]																																																																																																																																																																								
Principal moments along Y-X (mm ⁴):	115869.58 along [0.04 1.00]																																																																																																																																																																								
Elastic Modulus - Zx (mm ²):	I / y-max= 1019.03																																																																																																																																																																								
Elastic Modulus - Zy (mm ²):	J / x-max= 3894.45																																																																																																																																																																								
MASS PROPERTIES (UNIT)	VALUES																																																																																																																																																																								
Area (mm ²):	379.57																																																																																																																																																																								
Perimeter (mm):	321.68																																																																																																																																																																								
Bounding Box - X (mm):	-34.14 to 25.87																																																																																																																																																																								
Bounding Box - Y (mm):	-24.62 to 27.38																																																																																																																																																																								
Centroid - X (mm):	0.00																																																																																																																																																																								
Centroid - Y (mm):	0.00																																																																																																																																																																								
Moments of inertia - X (mm ⁴):	35739.66																																																																																																																																																																								
Moments of inertia - Y (mm ⁴):	154741.21																																																																																																																																																																								
Product of inertia - XY (mm ⁴):	-27691.94																																																																																																																																																																								
Radii of gyration - X (mm):	9.70																																																																																																																																																																								
Radii of gyration - Y (mm):	20.19																																																																																																																																																																								
Principal moments along X-Y (mm ⁴):	29611.28 along [0.98 -0.22]																																																																																																																																																																								
Principal moments along Y-X (mm ⁴):	160869.59 along [0.22 0.98]																																																																																																																																																																								
Elastic Modulus - Zx (mm ²):	I / y-max= 1305.31																																																																																																																																																																								
Elastic Modulus - Zy (mm ²):	J / x-max= 4532.92																																																																																																																																																																								
MASS PROPERTIES (UNIT)	VALUES																																																																																																																																																																								
Area (mm ²):	253.97																																																																																																																																																																								
Perimeter (mm):	227.28																																																																																																																																																																								
Bounding Box - X (mm):	-20.56 to 11.44																																																																																																																																																																								
Bounding Box - Y (mm):	-27.20 to 22.80																																																																																																																																																																								
Centroid - X (mm):	0.00																																																																																																																																																																								
Centroid - Y (mm):	0.00																																																																																																																																																																								
Moments of inertia - X (mm ⁴):	89284.33																																																																																																																																																																								
Moments of inertia - Y (mm ⁴):	11809.41																																																																																																																																																																								
Product of inertia - XY (mm ⁴):	-14236.24																																																																																																																																																																								
Radii of gyration - X (mm):	18.75																																																																																																																																																																								
Radii of gyration - Y (mm):	6.82																																																																																																																																																																								
Principal moments along X-Y (mm ⁴):	9276.28 along [0.18 -0.98]																																																																																																																																																																								
Principal moments along Y-X (mm ⁴):	91817.45 along [0.98 0.18]																																																																																																																																																																								
Elastic Modulus - Zx (mm ²):	I / y-max= 3282.45																																																																																																																																																																								
Elastic Modulus - Zy (mm ²):	J / x-max= 574.35																																																																																																																																																																								
MASS PROPERTIES (UNIT)	VALUES																																																																																																																																																																								
Area (mm ²):	1496.04																																																																																																																																																																								
Perimeter (mm):	521.49																																																																																																																																																																								
Bounding Box - X (mm):	-21.00 to 21.00																																																																																																																																																																								
Bounding Box - Y (mm):	-48.68 to 51.32																																																																																																																																																																								
Centroid - X (mm):	0.00																																																																																																																																																																								
Centroid - Y (mm):	0.00																																																																																																																																																																								
Moments of inertia - X (mm ⁴):	1712983.60																																																																																																																																																																								
Moments of inertia - Y (mm ⁴):	201590.01																																																																																																																																																																								
Product of inertia - XY (mm ⁴):	0.00																																																																																																																																																																								
Radii of gyration - X (mm):	33.84																																																																																																																																																																								
Radii of gyration - Y (mm):	11.61																																																																																																																																																																								
Principal moments along X-Y (mm ⁴):	201590.01 along [0.00 1.00]																																																																																																																																																																								
Principal moments along Y-X (mm ⁴):	1712983.60 along [-1.00 0.00]																																																																																																																																																																								
Elastic Modulus - Zx (mm ²):	I / y-max= 33375.24																																																																																																																																																																								
Elastic Modulus - Zy (mm ²):	J / x-max= 9597.66																																																																																																																																																																								
MASS PROPERTIES (UNIT)	VALUES																																																																																																																																																																								
Area (mm ²):	819.84																																																																																																																																																																								
Perimeter (mm):	667.18																																																																																																																																																																								
Bounding Box - X (mm):	-56.54 to 48.96																																																																																																																																																																								
Bounding Box - Y (mm):	-25.22 to 24.78																																																																																																																																																																								
Centroid - X (mm):	0.00																																																																																																																																																																								
Centroid - Y (mm):	0.00																																																																																																																																																																								
Moments of inertia - X (mm ⁴):	322996.07																																																																																																																																																																								
Moments of inertia - Y (mm ⁴):	510772.31																																																																																																																																																																								
Product of inertia - XY (mm ⁴):	-14591.37																																																																																																																																																																								
Radii of gyration - X (mm):	19.85																																																																																																																																																																								
Radii of gyration - Y (mm):	24.96																																																																																																																																																																								
Principal moments along X-Y (mm ⁴):	321868.99 along [1.00 -0.08]																																																																																																																																																																								
Principal moments along Y-X (mm ⁴):	511899.39 along [0.08 1.00]																																																																																																																																																																								
Elastic Modulus - Zx (mm ²):	I / y-max= 12808.63																																																																																																																																																																								
Elastic Modulus - Zy (mm ²):	J / x-max= 9033.23																																																																																																																																																																								

B.D. REF :

CLIENT :
 信和置業有限公司
 Sino Land Company Limited

ARCHITECT :
 WONG TUNG & PARTNERS LIMITED
 ARCHITECTS & PLANNERS

MAIN CONTRACTOR :
 CR Construction Company Limited

STRUCTURAL ENGINEER :
 AECOM

FACADE CONSULTANT:

NOTE :
 1. ALL DIMENSIONS ARE IN mm.
 2. ALL ELEVATIONS ARE VIEWED FROM OUTSIDE.
 3. ALL DIMENSIONS TO BE VERIFIED ON SITE BEFORE FABRICATION.

LEGEND :
 X1 --- DETAIL MARK NO.
 X001 --- REFER SHEET NO.
 1. F.F.L. --- FINISHED FLOOR LEVEL
 2. S.F.L. --- STRUCTURAL FLOOR LEVEL
 3. (R) --- REVERSED DETAIL

B	2019-08-21	BY ARCHITECT COMMENT	Zeng
A	2019-03-11	BY ARCHITECT COMMENT	Zeng
NO.	DATE	REVISED	BY

JOB NO. : J-837
 PROJECT :
 URA KWUN TONG TOWN CENTRE
 REDEVELOPMENT (AREA 2 & 3) AT
 NKIL 6514, KWUN TONG, KOWLOON

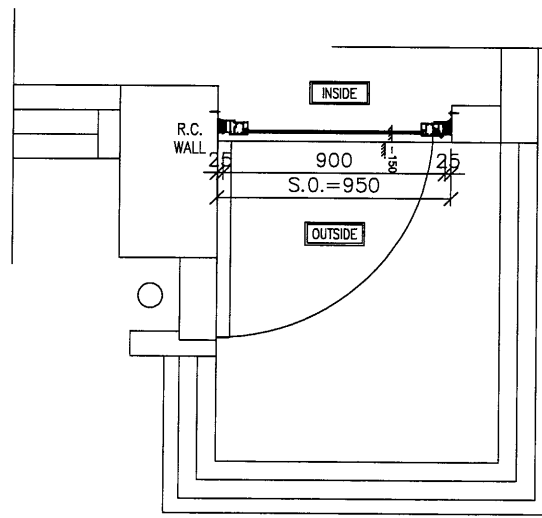
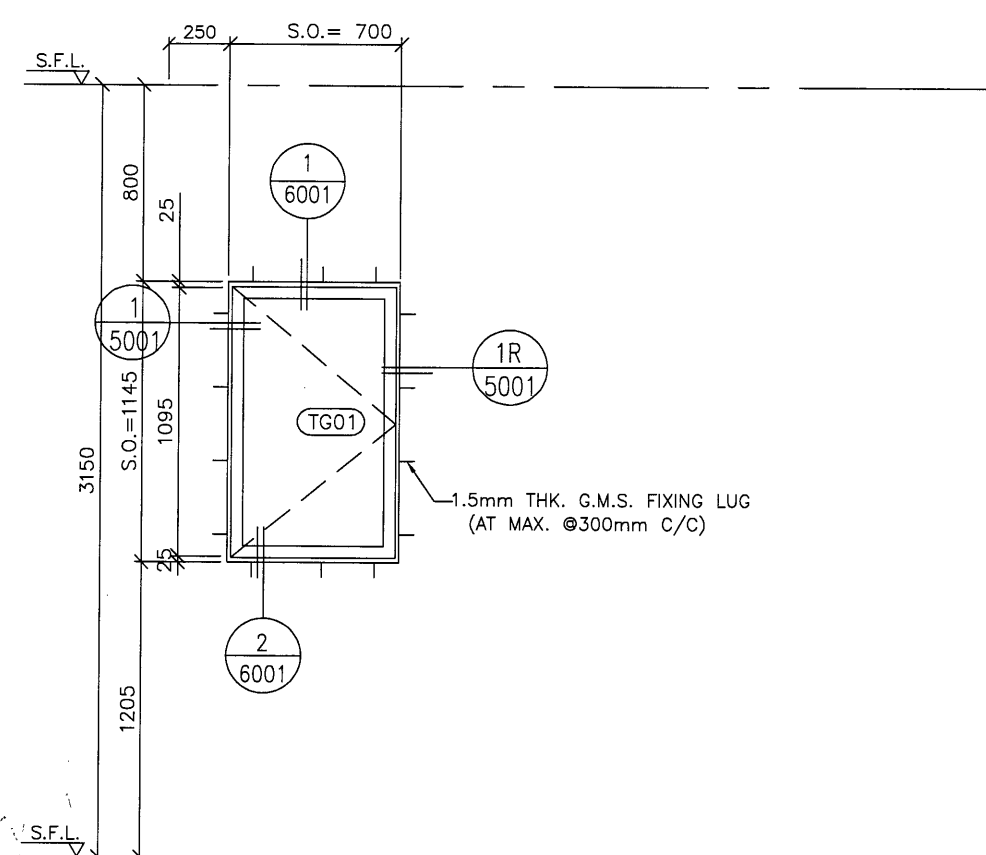
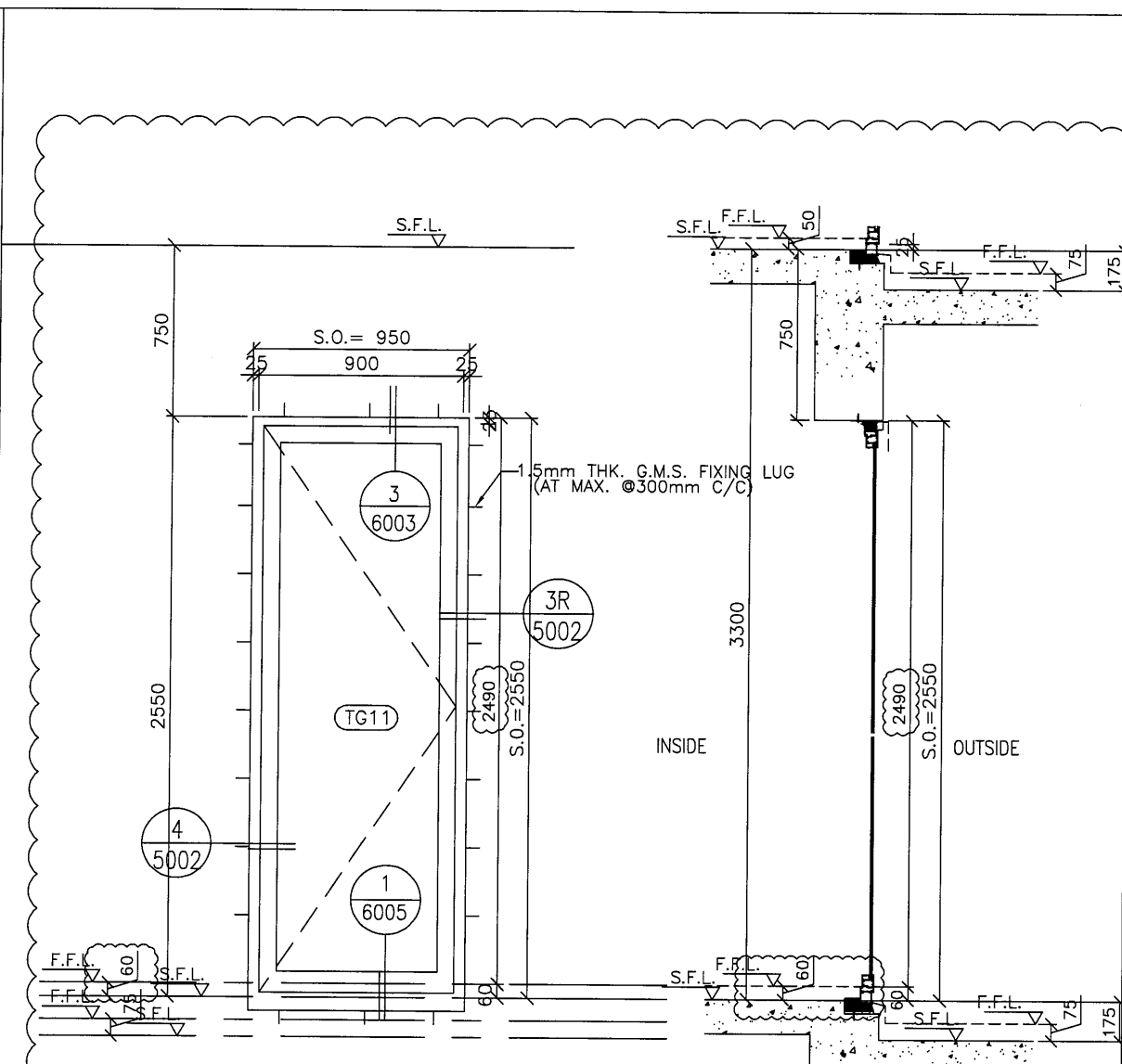
TITLE :
 SECTION PROFILE FOR
 ALUM. WINDOW (IN SITU WINDOW)

DATE : 09-JUL-18 SCALE : 1:2
 DRAWN BY : Zeng CHECKED BY : DW

美特鋁質有限公司
 MIDI ALUMINIUM FABRICATOR LTD.
 Units 6-8, Sunray Industrial Centre, 1/F
 610 Cha Kwo Ling Road, Kowloon
 Tel:23489211-4 Fax:(852)27727666

DWG NO. : J837-IW-0005 REV. : B

ELEVATION



之前有計錯此窗
 及/PG26/18B有此圖
 現重新尺寸

GLAZING AREA	Required = 0.609
	Provided = 1.62
OPENABLE AREA	Required = 0.38
	Provided = 1.95

此窗不用計
 (標準層已計)

GLAZING AREA	Required =
	Provided = 0.4
OPENABLE AREA	Required =
	Provided = 0.49

WINDOW MARK	T1W D-6
SECTION :	50mm ALUM. SECTION
QTY.	1 NOS.
LOCATION :	T1 50/F FLAT A DOOR TO BALCONY
GLAZING	8mm THK CLEAR TEMPERED GLASS
REMARK :	

WINDOW MARK	T1W E3
SECTION :	50mm ALUM. SECTION
QTY.	39 NOS. (TYPICAL)
LOCATION :	T1 6/F-26/F, 28/F-50/F FLAT E STORE
GLAZING	8mm blue tinted etched frosted tempered glass
REMARK :	

B.D. REF :

CLIENT :
 信和置業有限公司
 Sino Land Company Limited

ARCHITECT :
 WONG TUNG & PARTNERS LIMITED
 ARCHITECTS & PLANNERS

MAIN CONTRACTOR :
 CR Construction Company Limited

STRUCTURAL ENGINEER :
 AECOM

FACADE CONSULTANT:

NOTE :
 1. ALL DIMENSIONS ARE IN mm.
 2. ALL ELEVATIONS ARE VIEWED FROM OUTSIDE.
 3. ALL DIMENSIONS TO BE VERIFIED ON SITE BEFORE FABRICATION.

LEGEND :
 X1 --- DETAIL MARK NO.
 X001 --- REFER SHEET NO.
 1. F.F.L. --- FINISHED FLOOR LEVEL
 2. S.F.L. --- STRUCTURAL FLOOR LEVEL
 3. (R) --- REVERSED DETAIL

C	2019/3/6	BY ARCHITECT COMMENT	Zeng
B	2018/10/9	BY ARCHITECT COMMENT	Zeng
A	2018/07/27	BY ARCHITECT COMMENT	Zeng
NO.	DATE	REVISED	BY

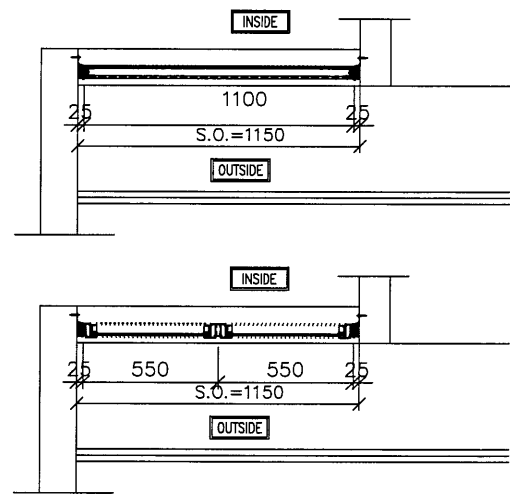
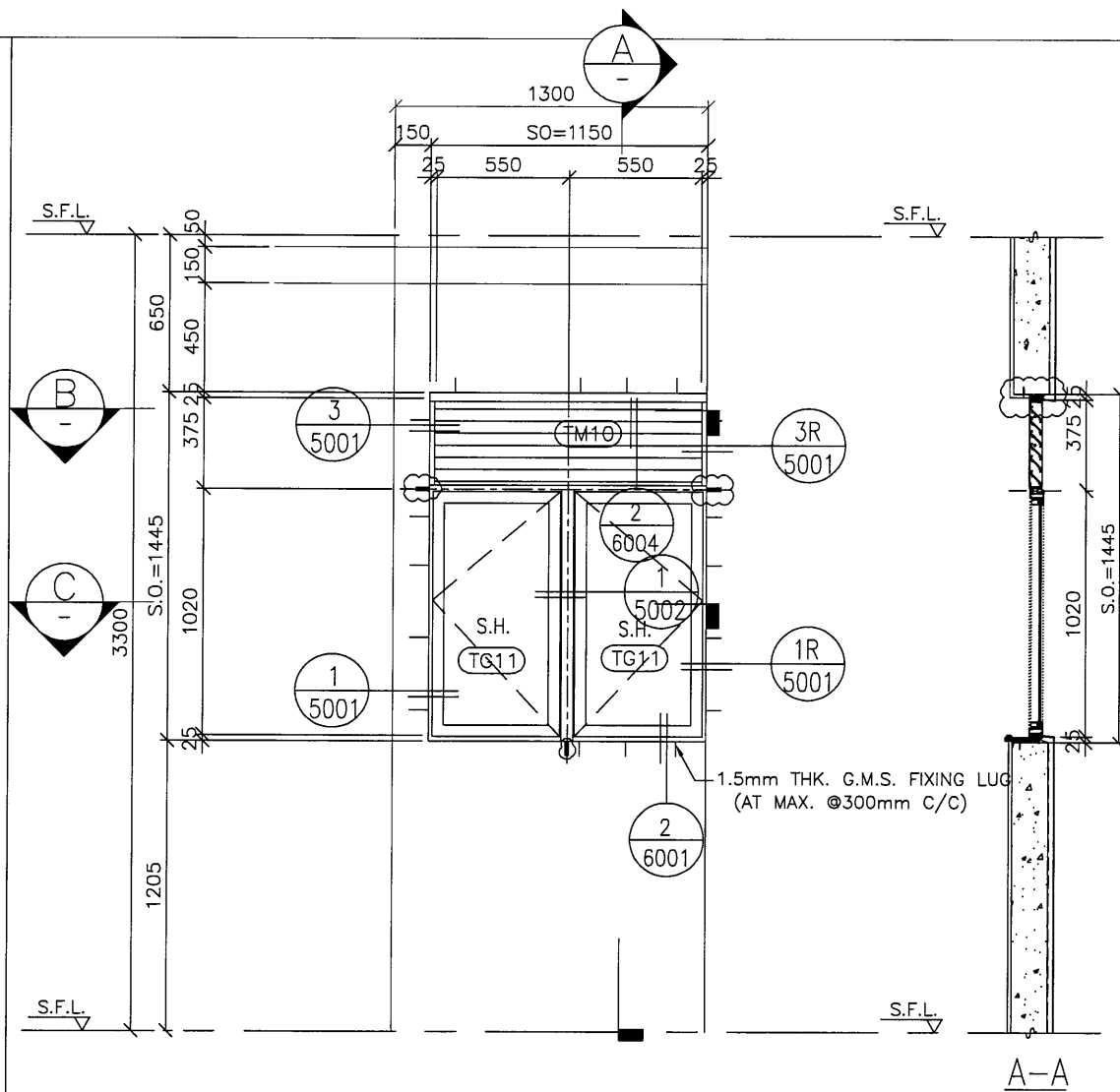
JOB NO. : J-837
 PROJECT :
 URA KWUN TONG TOWN CENTRE
 REDEVELOPMENT (AREA 2 & 3) AT
 NKIL 6514, KWUN TONG, KOWLOON

TITLE :
 ALUM. WINDOW SCHEDULE
 (FOR T1)

DATE : 09-JUL-18 SCALE : 1:##
 DRAWN BY : Zeng CHECKED BY : DW

美特鋁質有限公司
 MIDI ALUMINIUM FABRICATOR LTD.
 Units 6-8, Sunray Industrial Centre, 1/F
 610 Cha Kwo Ling Road, Kowloon
 Tel:23489211-4 Fax:(852)27727666
 DWG NO. : J837-IW-2107 REV. : B

ELEVATION



GLAZING AREA	Required = 0.77
	Provided = 0.783
OPENABLE AREA	Required = 0.481
	Provided = 0.925



WINDOW MARK : T1W 50A-KIT

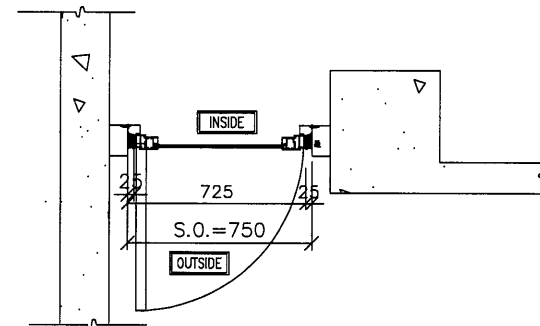
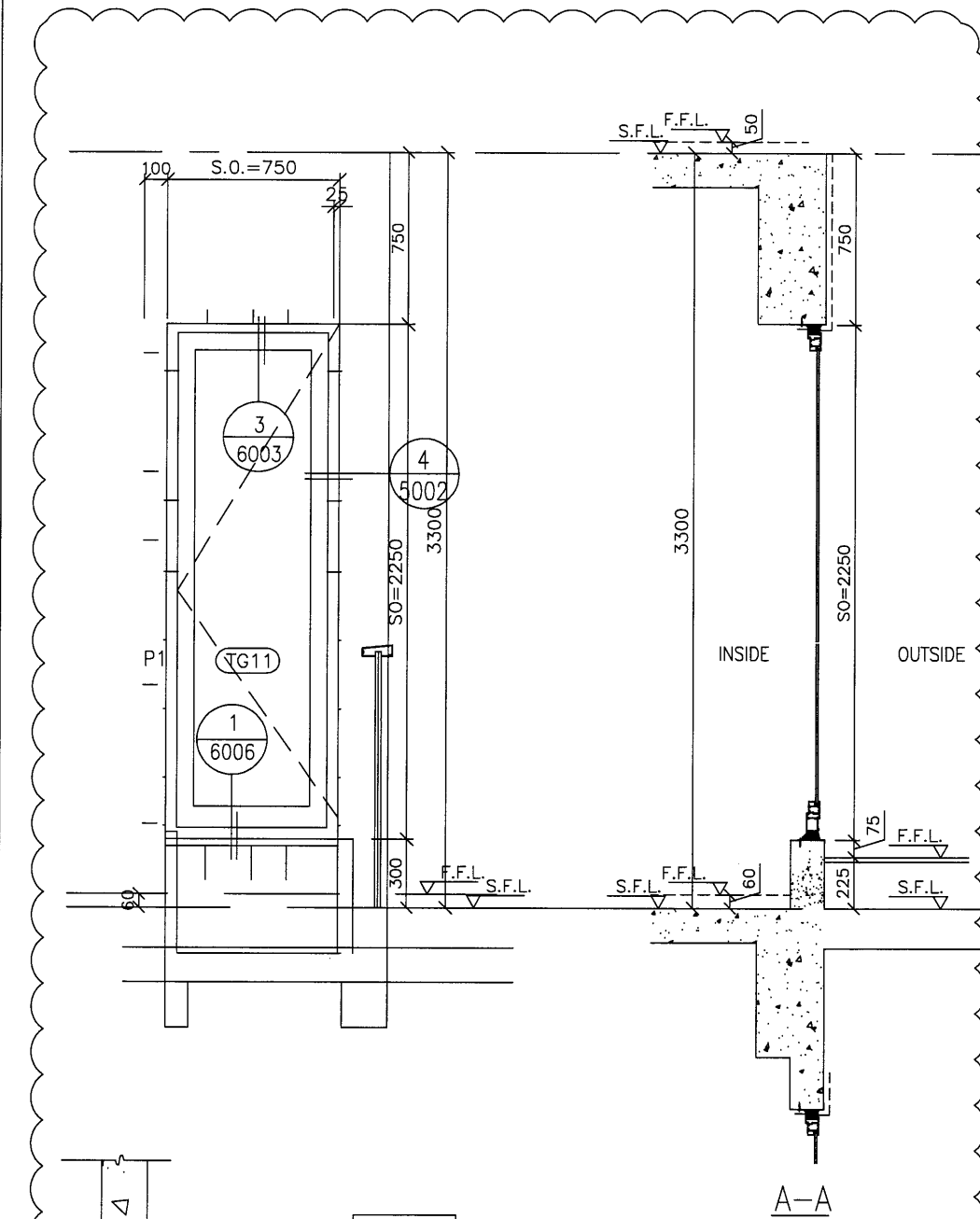
SECTION : 50mm ALUM. SECTION

QTY. : 1 NOS.

LOCATION : T1 50F FLAT A KITCHEN

GLAZING : 8mm THK CLEAR TEMPERED GLASS

REMARK :



GLAZING AREA	Required = 0.448
	Provided = 1.06
OPENABLE AREA	Required = 0.28
	Provided = 1.27



WINDOW MARK : T1W 50A

SECTION : 50mm ALUM. SECTION

QTY. : 1 NOS.

LOCATION : T1 50/F FLAT A STAIRCASE

GLAZING : 8mm THK CLEAR TEMPERED GLASS

B.D. REF :

CLIENT : 信和置業有限公司 Sino Land Company Limited

ARCHITECT : WONG TUNG & PARTNERS LIMITED ARCHITECTS & PLANNERS

MAIN CONTRACTOR : CR Construction Company Limited

STRUCTURAL ENGINEER : AECOM

FAÇADE CONSULTANT :

NOTE :

- ALL DIMENSIONS ARE IN mm.
- ALL ELEVATIONS ARE VIEWED FROM OUTSIDE.
- ALL DIMENSIONS TO BE VERIFIED ON SITE BEFORE FABRICATION.

LEGEND :

X1 --- DETAIL MARK NO.
X001 --- REFER SHEET NO.

- F.F.L. --- FINISHED FLOOR LEVEL
- S.F.L. --- STRUCTURAL FLOOR LEVEL
- (R) --- REVERSED DETAIL

A	2018/8/21	BY ARCHITECT COMMENT	Zeng
NO.	DATE	REVISED	BY

JOB NO. : J-837

PROJECT : URA KWUN TONG TOWN CENTRE REDEVELOPMENT (AREA 2 & 3) AT NKIL 6514, KWUN TONG, KOWLOON

TITLE : ALUM. WINDOW SCHEDULE (FOR T1)

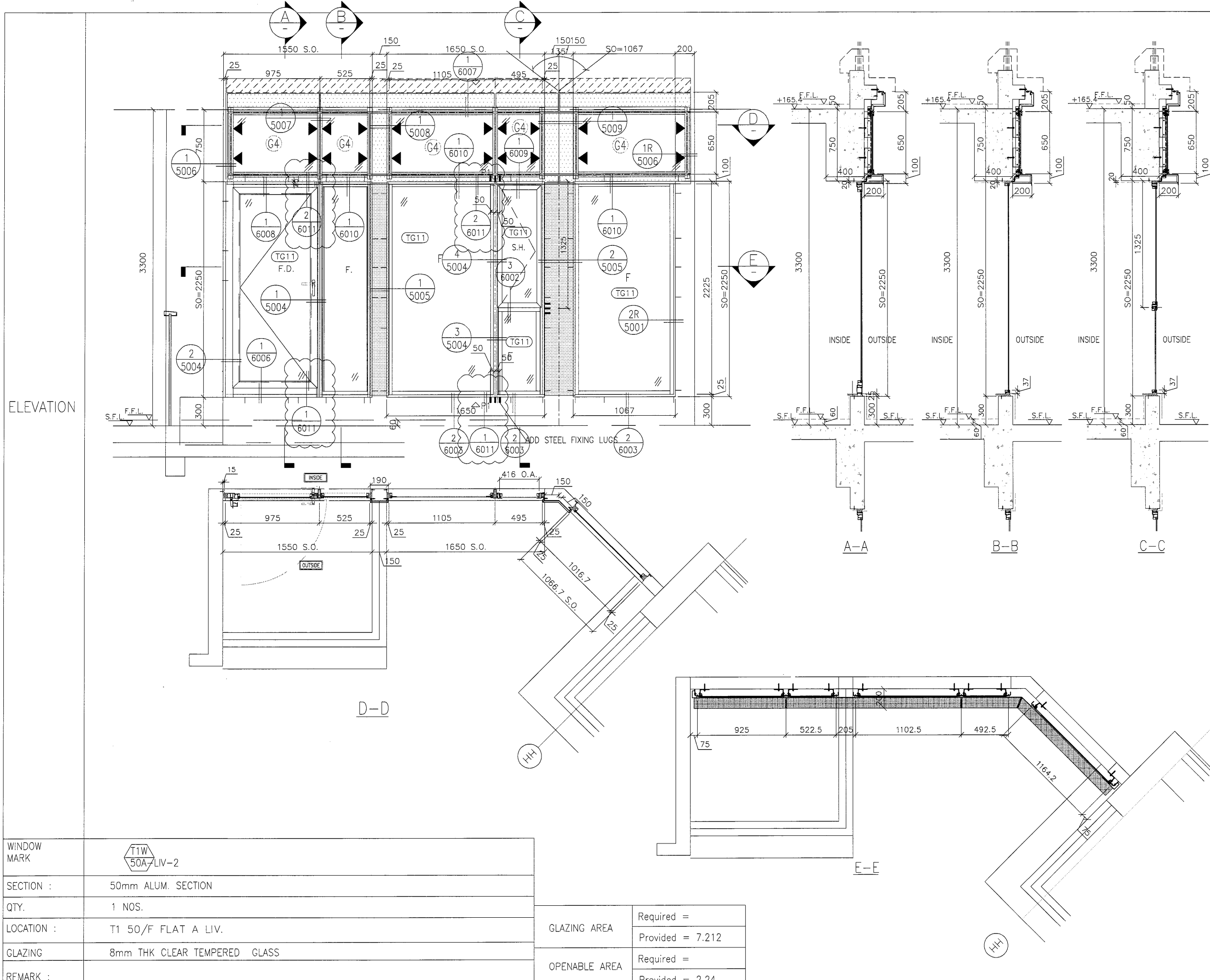
DATE : 09-JUL-18 SCALE : 1:30

DRAWN BY : Zeng CHECKED BY : DW

美特鋁質有限公司 MIDI ALUMINIUM FABRICATOR LTD.
Units 6-8, Sunray Industrial Centre, 1/F
610 Cho Kwo Ling Road, Kowloon
Tel: 23489211-4 Fax: (852) 2727666

DWG NO. : J837-IW-2108 REV. : A

1/11



ELEVATION

WINDOW MARK	T1W 50A-LIV-2
SECTION :	50mm ALUM. SECTION
QTY.	1 NOS.
LOCATION :	T1 50/F FLAT A LIV.
GLAZING	8mm THK CLEAR TEMPERED GLASS
REMARK :	

GLAZING AREA	Required = Provided = 7.212
OPENABLE AREA	Required = Provided = 2.24

B.D. REF :

CLIENT :
信和置業有限公司
Sino Land Company Limited

ARCHITECT :
WONG TUNG & PARTNERS LIMITED
ARCHITECTS & PLANNERS

MAIN CONTRACTOR :
CR Construction Company Limited

STRUCTURAL ENGINEER :
AECOM

FAÇADE CONSULTANT:

NOTE:
1. ALL DIMENSIONS ARE IN mm.
2. ALL ELEVATIONS ARE VIEWED FROM OUTSIDE.
3. ALL DIMENSIONS TO BE VERIFIED ON SITE BEFORE FABRICATION.

LEGEND:
X1 - DETAIL MARK NO.
X001 - REFER SHEET NO.
1. F.F.L. -- FINISHED FLOOR LEVEL
2. S.F.L. -- STRUCTURAL FLOOR LEVEL
3. (R) -- REVERSED DETAIL

C	2019/11/1	BY ARCHITECT COMMENT	Zeng
B	2019/8/21	BY ARCHITECT COMMENT	Zeng
A	2019/6/25	BY ARCHITECT COMMENT	Zeng
NO.	DATE	REVISED	BY

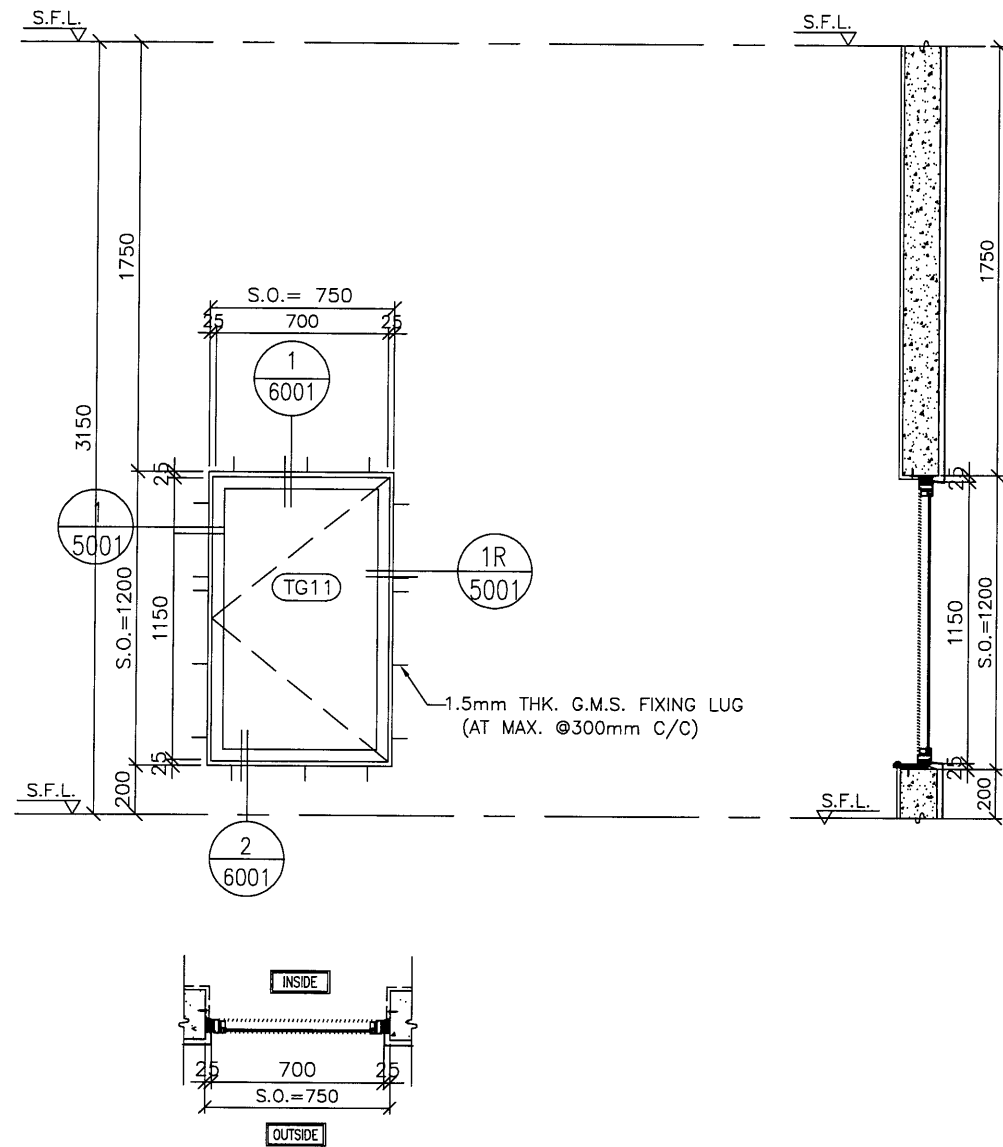
JOB NO. : J-B37
PROJECT :
URA KWUN TONG TOWN CENTRE
REDEVELOPMENT (AREA 2 & 3) AT
NKIL 6514, KWUN TONG, KOWLOON

TITLE :
ALUM. WINDOW SCHEDULE
(FOR T1)

DATE : 09-JUL-18 SCALE : 1:##
DRAWN BY : Zeng CHECKED BY : DW

美特鋁質有限公司
MIDI ALUMINIUM FABRICATOR LTD.
Units 6-8, Sunray Industrial Centre, 1/F
610 Cha Kwo Ling Road, Kowloon
Tel:23489211-4 Fax:(852)2727666
DWG NO. : J837-IW-2109 REV. : C

ELEVATION



GLAZING AREA	Required =
	Provided = 0.602
OPENABLE AREA	Required =
	Provided = 0.689

WINDOW MARK	T1W LMR-01
SECTION :	50mm ALUM. SECTION
QTY.	1 NOS. (TYPICAL)
LOCATION :	T1 LIFT MACHINE ROOMS
GLAZING	8mm THK ACID ETCHED FROSTED TEMPERED GLASS
REMARK :	

B.D. REF :

TYPE OF MULLIONS :
M1 - 40x100 ALUM. SECTION

CLIENT :
信和置業有限公司
Sino Land Company Limited

ARCHITECT :
WONG TUNG & PARTNERS LIMITED
ARCHITECTS & PLANNERS

MAIN CONTRACTOR :
CR Construction Company Limited

STRUCTURAL ENGINEER :
AECOM

FACADE CONSULTANT:

NOTE :
1. ALL DIMENSIONS ARE IN mm.
2. ALL ELEVATIONS ARE VIEWED FROM OUTSIDE.
3. ALL DIMENSIONS TO BE VERIFIED ON SITE BEFORE FABRICATION.

LEGEND :
X1 - DETAIL MARK NO.
X001 - REFER SHEET NO.

1. F.F.L. -- FINISHED FLOOR LEVEL
2. S.F.L. -- STRUCTURAL FLOOR LEVEL
3. (R) -- REVERSED DETAIL

NO.	DATE	REVISED	BY
-----	------	---------	----

JOB NO. : J-837
PROJECT :
URA KWUN TONG TOWN CENTRE
REDEVELOPMENT (AREA 2 & 3) AT
NKIL 6514, KWUN TONG, KOWLOON

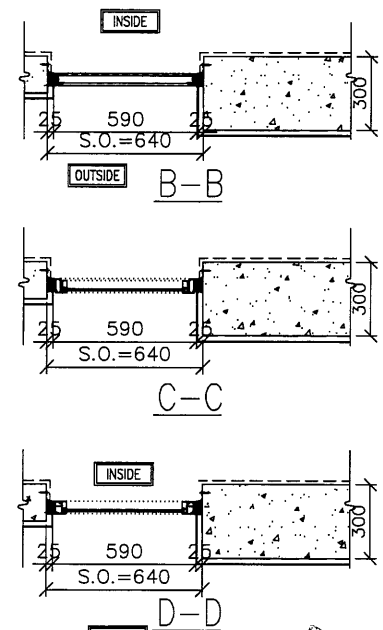
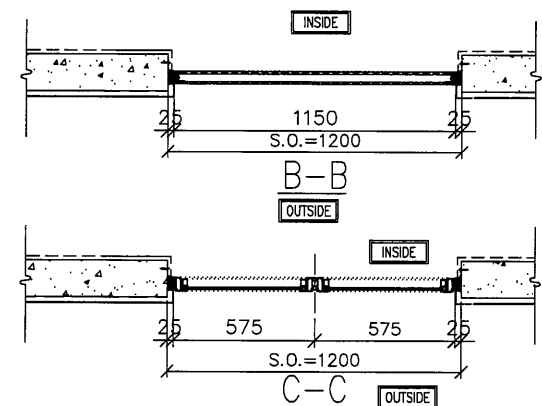
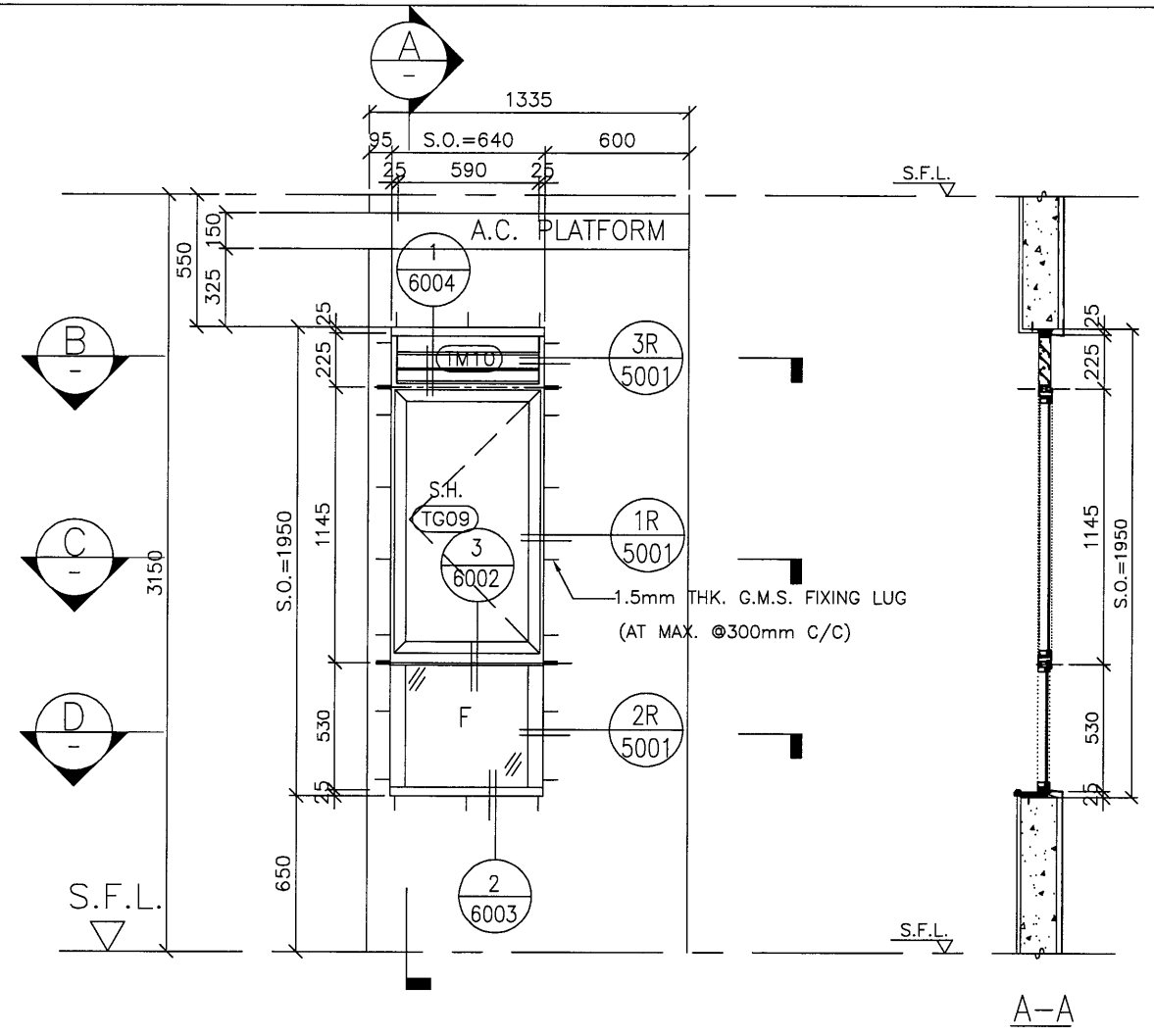
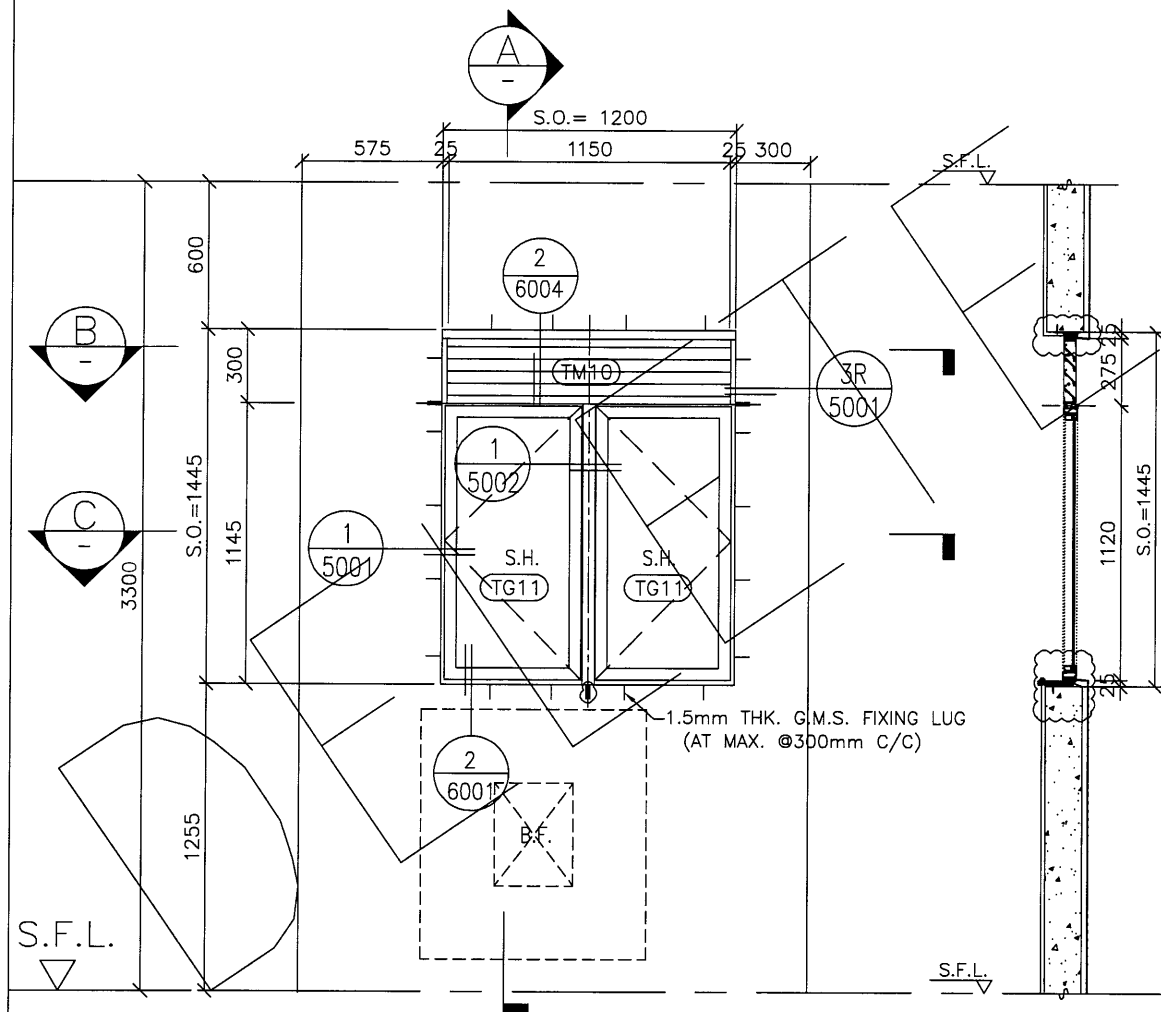
TITLE :
ALUM. WINDOW SCHEDULE
(FOR T1)

DATE : 09-JUL-18 SCALE : 1:30
DRAWN BY : Zeng CHECKED BY : DW

美特鋁質有限公司
MIDI ALUMINIUM FABRICATOR LTD.
Units 6-8, Sunray Industrial Centre, 1/F
610 Cha Kwo Ling Road, Kowloon
Tel: 23489211-4 Fax: (852) 2727666

DWG NO. : JB37-IW-2110 REV. : -

ELEVATION



REPLACED BY T2W/55G-KIT. INCORPORATED INTO SHOP DRAWING FOR PRECAST WINDOWS (DWG NO: J837-PW-2212)

GLAZING AREA	Required =
	Provided = 1.04
OPENABLE AREA	Required =
	Provided = 1.08

GLAZING AREA	Required = 0.344
	Provided = 0.71
OPENABLE AREA	Required = 0.344
	Provided = 0.57

WINDOW MARK	
SECTION :	50mm ALUM. SECTION
QTY.	1 NOS. (TYPICAL)
LOCATION :	55/F FLAT G KITCHEN
GLAZING	MIN. 8mm THK. CLEAR TEMPERED GLASS
REMARK :	

WINDOW MARK	
SECTION :	50mm ALUM. SECTION
QTY.	42 NOS. (TYPICAL)
LOCATION :	T2 6/F-26/F, 28/F-53/F FLAT H BATHROOM
GLAZING	MIN. 8mm THK ACID ETCHED FROSTED TEMPERED GLASS
REMARK :	

B.D. REF :

CLIENT : 信和置業有限公司 Sino Land Company Limited

ARCHITECT : WONG TUNG & PARTNERS LIMITED ARCHITECTS & PLANNERS

MAIN CONTRACTOR : CR Construction Company Limited

STRUCTURAL ENGINEER : AECOM

FACADE CONSULTANT :

NOTE :

- ALL DIMENSIONS ARE IN mm.
- ALL ELEVATIONS ARE VIEWED FROM OUTSIDE.
- ALL DIMENSIONS TO BE VERIFIED ON SITE BEFORE FABRICATION.

LEGEND :

X1 --- DETAIL MARK NO.
X001 --- REFER SHEET NO.

1. F.F.L. --- FINISHED FLOOR LEVEL
2. S.F.L. --- STRUCTURAL FLOOR LEVEL
3. (R) --- REVERSED DETAIL

D	2019/8/28	BY ARCHITECT COMMENT	Zeng
C	2019/1/30	BY ARCHITECT COMMENT	Zeng
B	2018/08/31	BY ARCHITECT COMMENT	Zeng
A	2018/07/27	BY ARCHITECT COMMENT	Zeng
NO.	DATE	REVISED	BY

JOB NO. : J-837

PROJECT : URA KWUN TONG TOWN CENTRE REDEVELOPMENT (AREA 2 & 3) AT NKIL 6514, KWUN TONG, KOWLOON

TITLE : ALUM. WINDOW SCHEDULE (FOR T2)

DATE : 09-JUL-18 SCALE : 1:30

DRAWN BY : Zeng CHECKED BY : DW

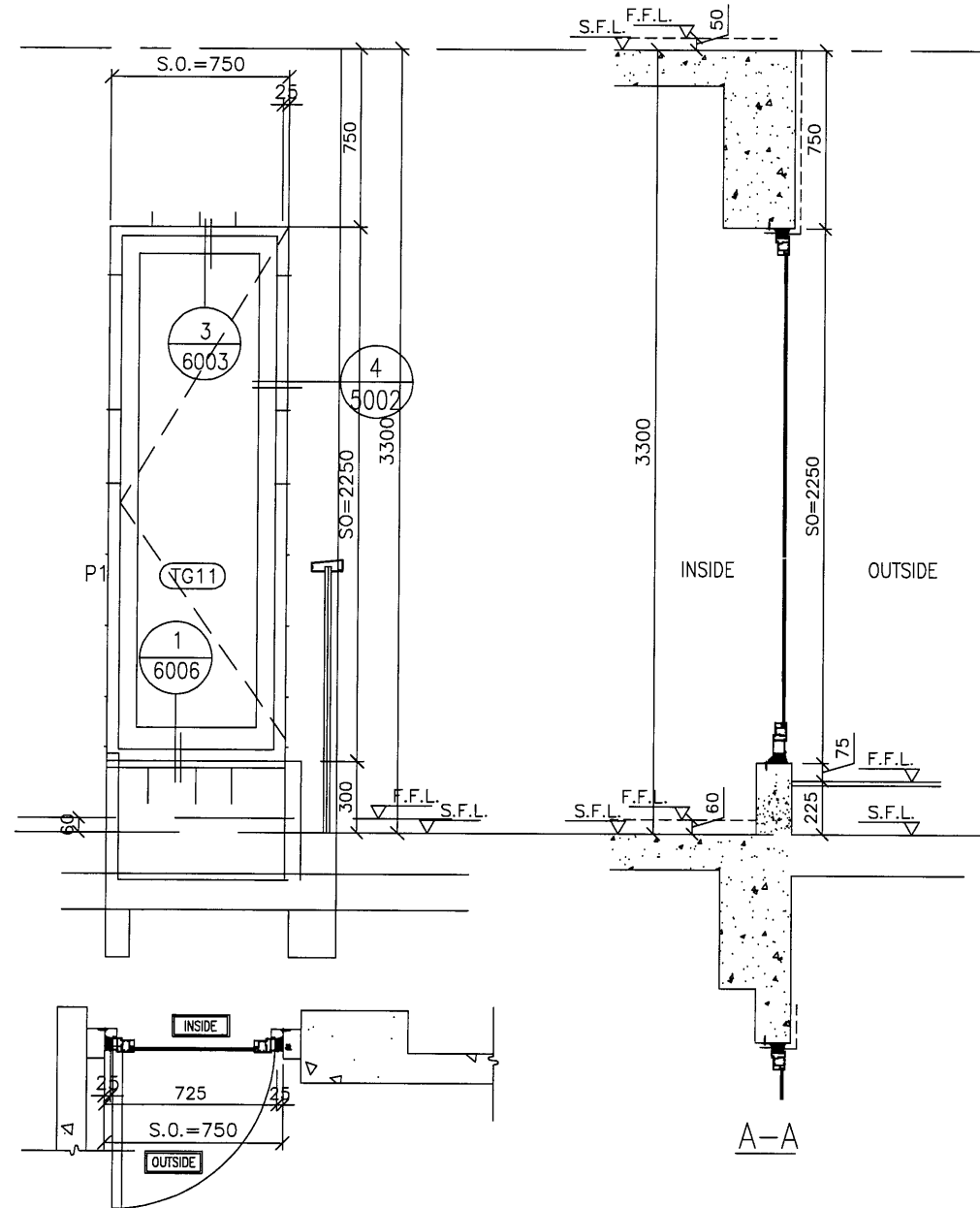
美特鋁質有限公司 MIDI ALUMINIUM FABRICATOR LTD.
Units 6-8, Sunray Industrial Centre, 1/F
610 Cha Kwo Ling Road, Kowloon
Tel: 23489211-4 Fax: (852) 2727666

DWG NO. : J837-IW-2207 REV. : D

石片26及有此窗
現取備

此幅不用計
(樓上層已計)

ELEVATION



GLAZING AREA	Required = 0.448
	Provided = 1.06
OPENABLE AREA	Required = 0.28
	Provided = 1.27

WINDOW MARK

SECTION : 50mm ALUM. SECTION

QTY. 1 NOS.

LOCATION : T2 55/F FLAT G STAIRCASE

GLAZING 8mm THK CLEAR TEMPERED GLASS

REMARK :

B.D. REF :

CLIENT :

ARCHITECT :
 WONG TUNG & PARTNERS LIMITED
 ARCHITECTS & PLANNERS

MAIN CONTRACTOR :

STRUCTURAL ENGINEER :

FACADE CONSULTANT:

NOTE :
 1. ALL DIMENSIONS ARE IN mm.
 2. ALL ELEVATIONS ARE VIEWED FROM OUTSIDE.
 3. ALL DIMENSIONS TO BE VERIFIED ON SITE BEFORE FABRICATION.

LEGEND :
 -- DETAIL MARK NO.
 -- REFER SHEET NO.
 1. F.F.L. -- FINISHED FLOOR LEVEL
 2. S.F.L. -- STRUCTURAL FLOOR LEVEL
 3. (R) -- REVERSED DETAIL

NO.	DATE	REVISED	BY
-----	------	---------	----

JOB NO. : J-837
 PROJECT :
 URA KWUN TONG TOWN CENTRE
 REDEVELOPMENT (AREA 2 & 3) AT
 NKIL 6514, KWUN TONG, KOWLOON

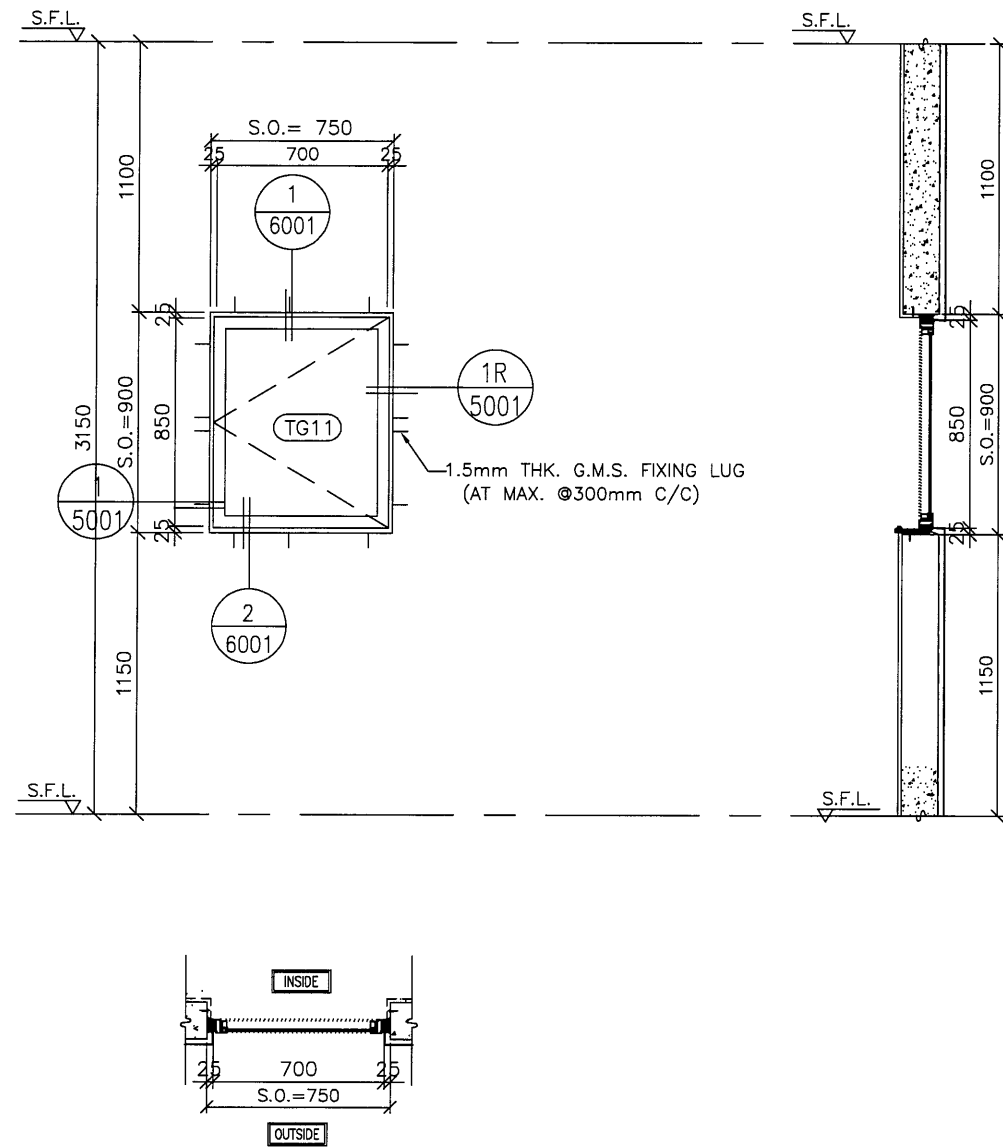
TITLE :
 ALUM. WINDOW SCHEDULE
 (FOR T5)

DATE : 09-JUL-18 SCALE : 1:30
 DRAWN BY : Zeng CHECKED BY : DW

美特鋁質有限公司
 MIDI ALUMINIUM FABRICATOR LTD.
 Units 6-8, Sunray Industrial Centre, 1/F
 610 Cha Kwo Ling Road, Kowloon
 Tel: 23489211-4 Fax: (852) 27727666

DWG NO. : J837-IW-2213 REV. : -

ELEVATION



GLAZING AREA	Required =
	Provided = 0.427
OPENABLE AREA	Required =
	Provided = 0.498

WINDOW MARK	T2W LMR-01
SECTION :	50mm ALUM. SECTION
QTY.	1 NOS. (TYPICAL)
LOCATION :	T2 LIFT MACHINE ROOMS
GLAZING	8mm THK ACID ETCHED FROSTED TEMPERED GLASS
REMARK :	

B.D. REF :

TYPE OF MULLIONS :
M1 - 40x100 ALUM. SECTION

CLIENT :
信和置業有限公司
Sino Land Company Limited

ARCHITECT :
WONG TUNG & PARTNERS LIMITED
ARCHITECTS & PLANNERS
WT

MAIN CONTRACTOR :
CR Construction Company Limited

STRUCTURAL ENGINEER :
AECOM

FACADE CONSULTANT:

NOTE :
1. ALL DIMENSIONS ARE IN mm.
2. ALL ELEVATIONS ARE VIEWED FROM OUTSIDE.
3. ALL DIMENSIONS TO BE VERIFIED ON SITE BEFORE FABRICATION.

LEGEND :
X1 --- DETAIL MARK NO.
X001 --- REFER SHEET NO.

1. F.F.L. --- FINISHED FLOOR LEVEL
2. S.F.L. --- STRUCTURAL FLOOR LEVEL
3. (R) --- REVERSED DETAIL

NO.	DATE	REVISED	BY
-----	------	---------	----

JOB NO. : J-837

PROJECT :
URA KWUN TONG TOWN CENTRE
REDEVELOPMENT (AREA 2 & 3) AT
NKIL 6514, KWUN TONG, KOWLOON

TITLE :
ALUM. WINDOW SCHEDULE
(FOR T1)

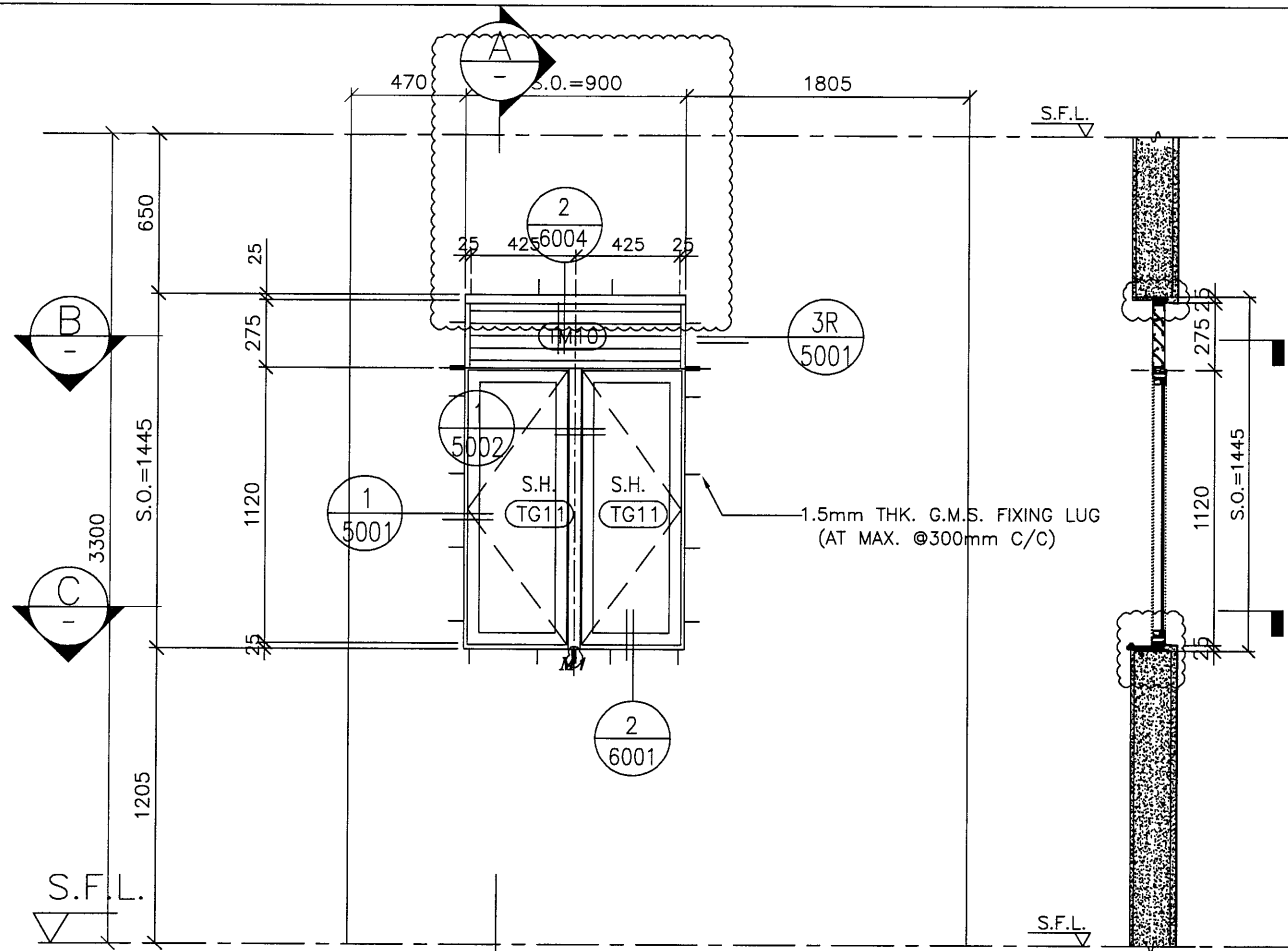
DATE : 09-JUL-18 SCALE : 1:##

DRAWN BY : Zeng CHECKED BY : DW

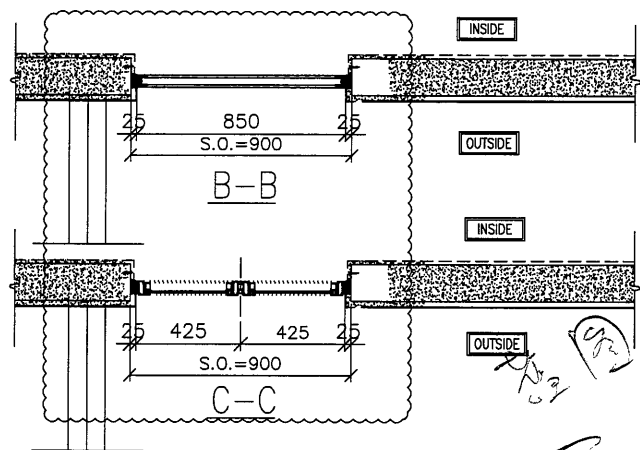
美特鋁質有限公司
MIDI ALUMINIUM FABRICATOR LTD.
Units 6-8, Sunray Industrial Centre, 1/F
610 Cha Kwo Ling Road, Kowloon
Tel: 23489211-4 Fax: (852) 2727666

DWG NO. : J837-IW-2214 REV. : -

ELEVATION



A-A

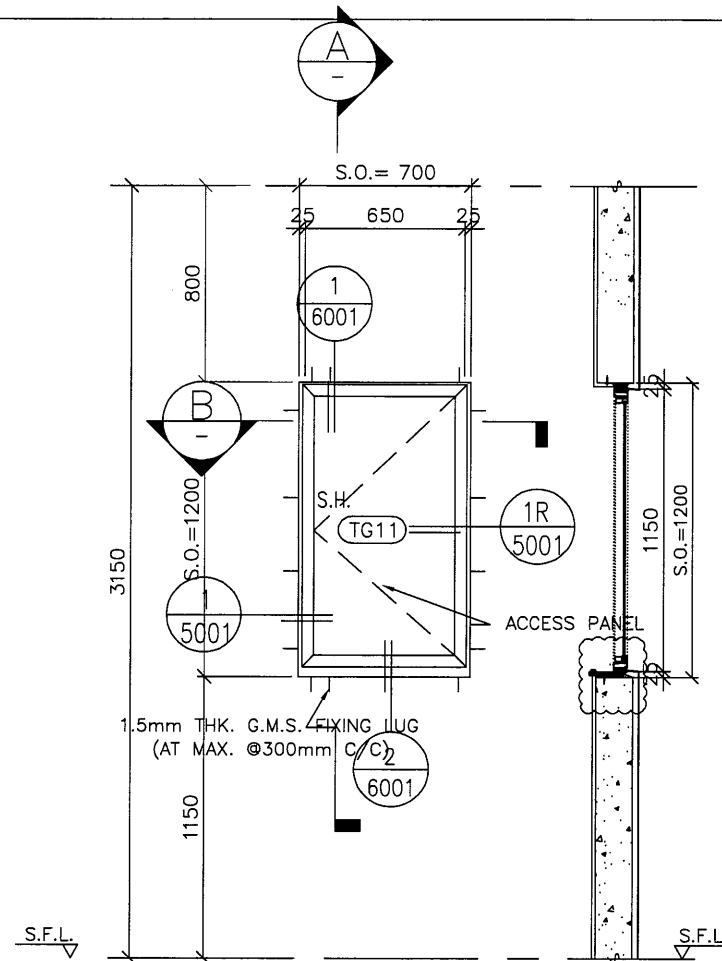


Handwritten notes in Chinese:
 此圖係26/28/52/F 共有此窗
 現用新R8

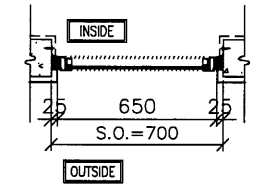
GLAZING AREA	Required =
	Provided = 1.04
OPENABLE AREA	Required =
	Provided = 1.08

WINDOW MARK
 SECTION :
 QTY.
 LOCATION :
 GLAZING
 REMARK :

T3W
 H-3
 50mm ALUM. SECTION
 1 NOS.
 T3 52/F FLAT H KITCHEN
 8mm THK. CLEAR TEMPERED GLASS



A-A



B-B

GLAZING AREA	Required =
	Provided = 0.396
OPENABLE AREA	Required =
	Provided = 0.473

T3W
 3
 50mm ALUM. SECTION
 41 NOS. (TYPICAL)
 T3 6/F-26/F, 28/F-52/F COMMON CORRIDOR
 8mm THK ACID ETCHED FROSTED TEMPERED GLASS
 OPENABLE WINDOW

Handwritten notes in Chinese:
 此幅不用計 (標準層已計)

B.D. REF :

CLIENT :
 信和置業有限公司
 Sino Land Company Limited

ARCHITECT :
 WONG TUNG & PARTNERS LIMITED
 ARCHITECTS & PLANNERS

MAIN CONTRACTOR :
 CR Construction Company Limited

STRUCTURAL ENGINEER :
 AECOM

FACADE CONSULTANT :

NOTE :

1. ALL DIMENSIONS ARE IN mm.
2. ALL ELEVATIONS ARE VIEWED FROM OUTSIDE.
3. ALL DIMENSIONS TO BE VERIFIED ON SITE BEFORE FABRICATION.

LEGEND :

X1 --- DETAIL MARK NO.
 X001 --- REFER SHEET NO.

1. F.F.L. --- FINISHED FLOOR LEVEL
2. S.F.L. --- STRUCTURAL FLOOR LEVEL
3. (R) --- REVERSED DETAIL

D	2019/9/21	BY ARCHITECT COMMENT	Zeng
C	2019/1/30	BY ARCHITECT COMMENT	Zeng
B	2018/11/29	BY ARCHITECT COMMENT	Zeng
A	2018/07/27	BY ARCHITECT COMMENT	Zeng
NO.	DATE	REVISED	BY

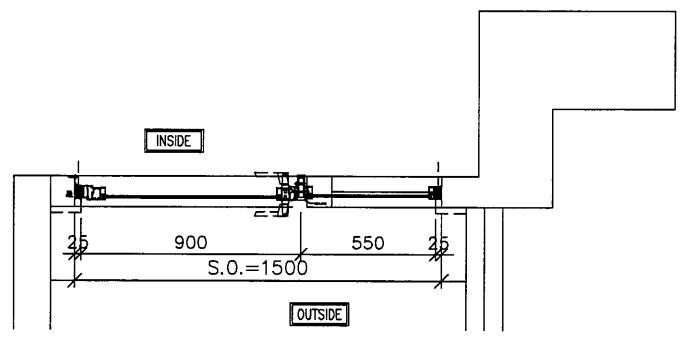
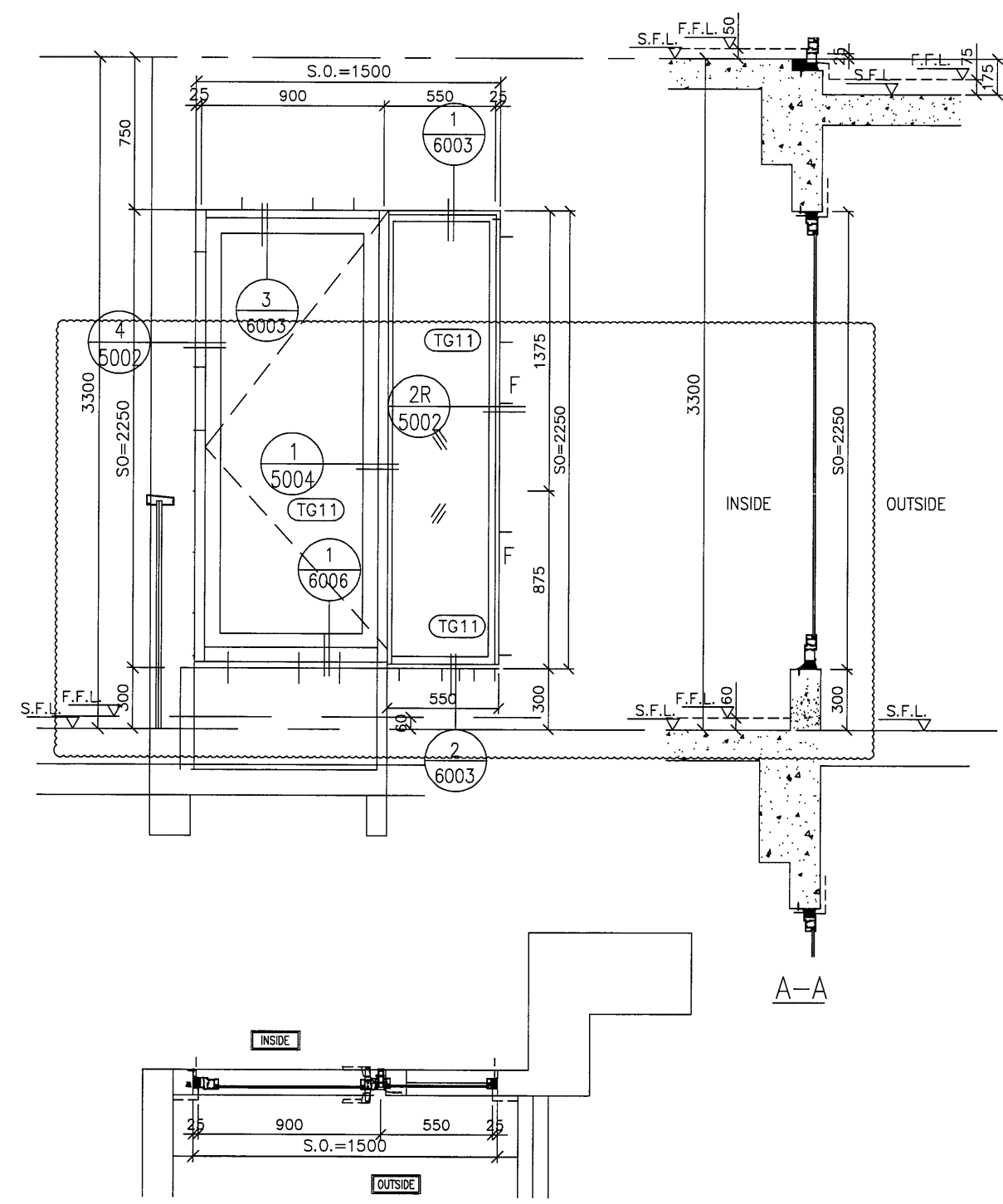
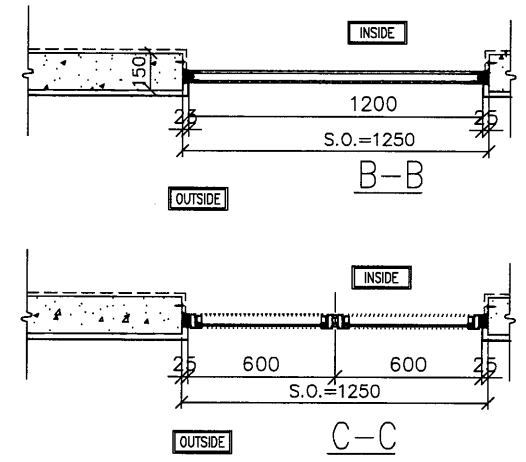
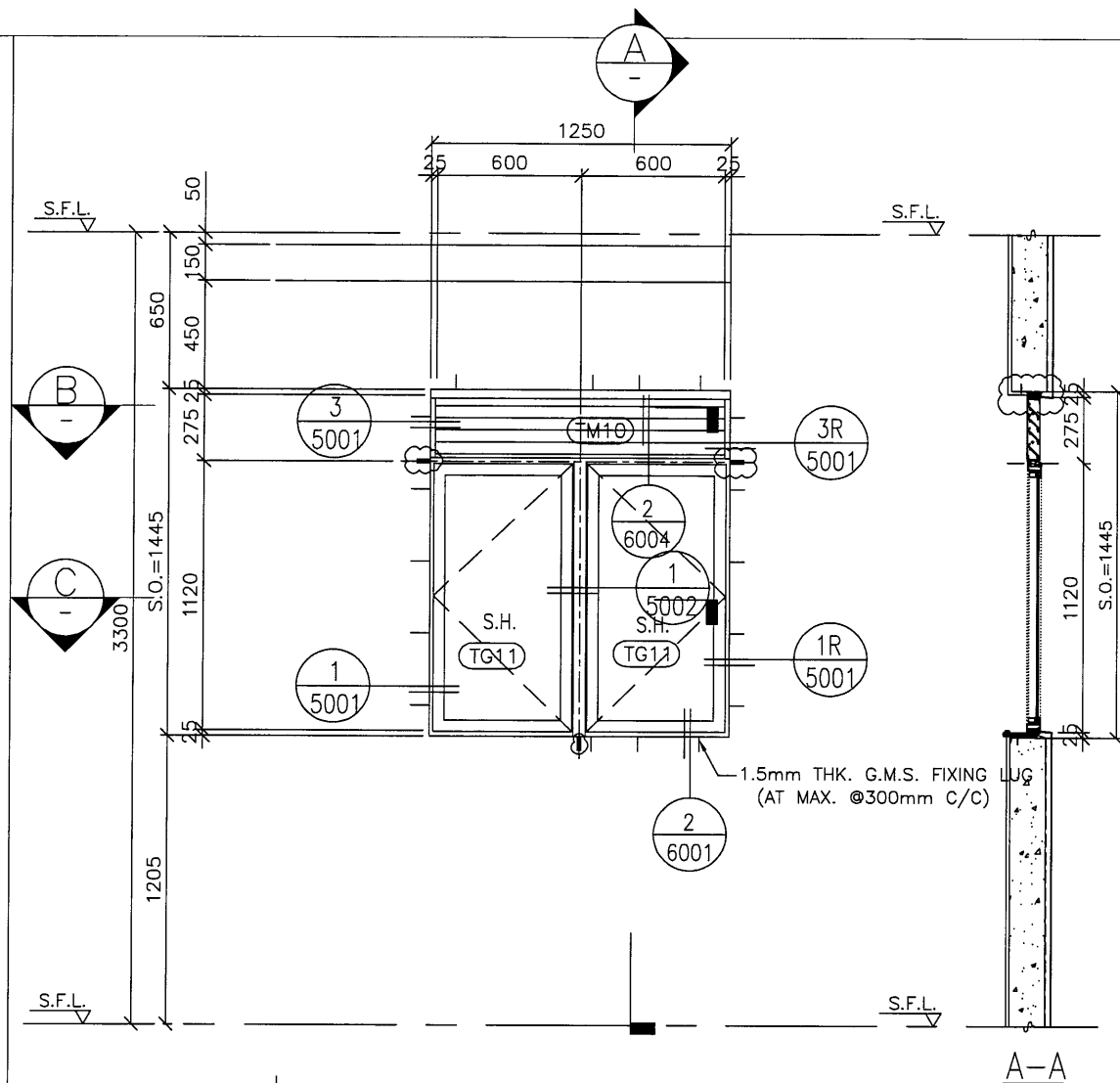
JOB NO. : J-837
 PROJECT :
 URA KWUN TONG TOWN CENTRE
 REDEVELOPMENT (AREA 2 & 3) AT
 NKIL 6514, KWUN TONG, KOWLOON

TITLE :
 ALUM. WINDOW SCHEDULE
 (FOR T3)

DATE : 09-JUL-18 SCALE : 1:30
 DRAWN BY : Zeng CHECKED BY : DW

美特鋁質有限公司
 MIDI ALUMINIUM FABRICATOR LTD.
 Units 6-8, Sunray Industrial Centre, 1/F
 610 Cha Kwo Ling Road, Kowloon
 Tel: 23489211-4 Fax: (852) 2727666
 DWG NO. : JB37-IW-2306 REV. : D

ELEVATION



GLAZING AREA	Required = 0.781	GLAZING AREA	Required = 0.969
	Provided = 1.08		Provided = 1.08
OPENABLE AREA	Required = 0.488	OPENABLE AREA	Required = 0.606
	Provided = 1.13		Provided = 1.13

WINDOW MARK			
SECTION :	50mm ALUM. SECTION	50mm ALUM. SECTION	50mm ALUM. SECTION
QTY.	1 NOS.	1 NOS.	1 NOS.
LOCATION :	T3 52F FLAT D KITCHEN	T3 52F FLAT H KITCHEN	T3 52F FLAT H LIV.
GLAZING	8mm THK CLEAR TEMPERED GLASS	8mm THK CLEAR TEMPERED GLASS	8mm THK CLEAR TEMPERED GLASS
REMARK :			

B.D. REF :

CLIENT :
 信和置業有限公司
 Sino Land Company Limited

ARCHITECT :
 WONG TUNG & PARTNERS LIMITED
 ARCHITECTS & PLANNERS

MAIN CONTRACTOR :
 CR Construction Company Limited

STRUCTURAL ENGINEER :
 AECOM

FACADE CONSULTANT :

NOTE :
 1. ALL DIMENSIONS ARE IN mm.
 2. ALL ELEVATIONS ARE VIEWED FROM OUTSIDE.
 3. ALL DIMENSIONS TO BE VERIFIED ON SITE BEFORE FABRICATION.

LEGEND :
 X1 -- DETAIL MARK NO.
 X001 -- REFER SHEET NO.
 1. F.F.L. -- FINISHED FLOOR LEVEL
 2. S.F.L. -- STRUCTURAL FLOOR LEVEL
 3. (R) -- REVERSED DETAIL

B	2019/8/21	BY ARCHITECT COMMENT	Zeng
A	2019/8/25	BY ARCHITECT COMMENT	Zeng
NO.	DATE	REVISED	BY

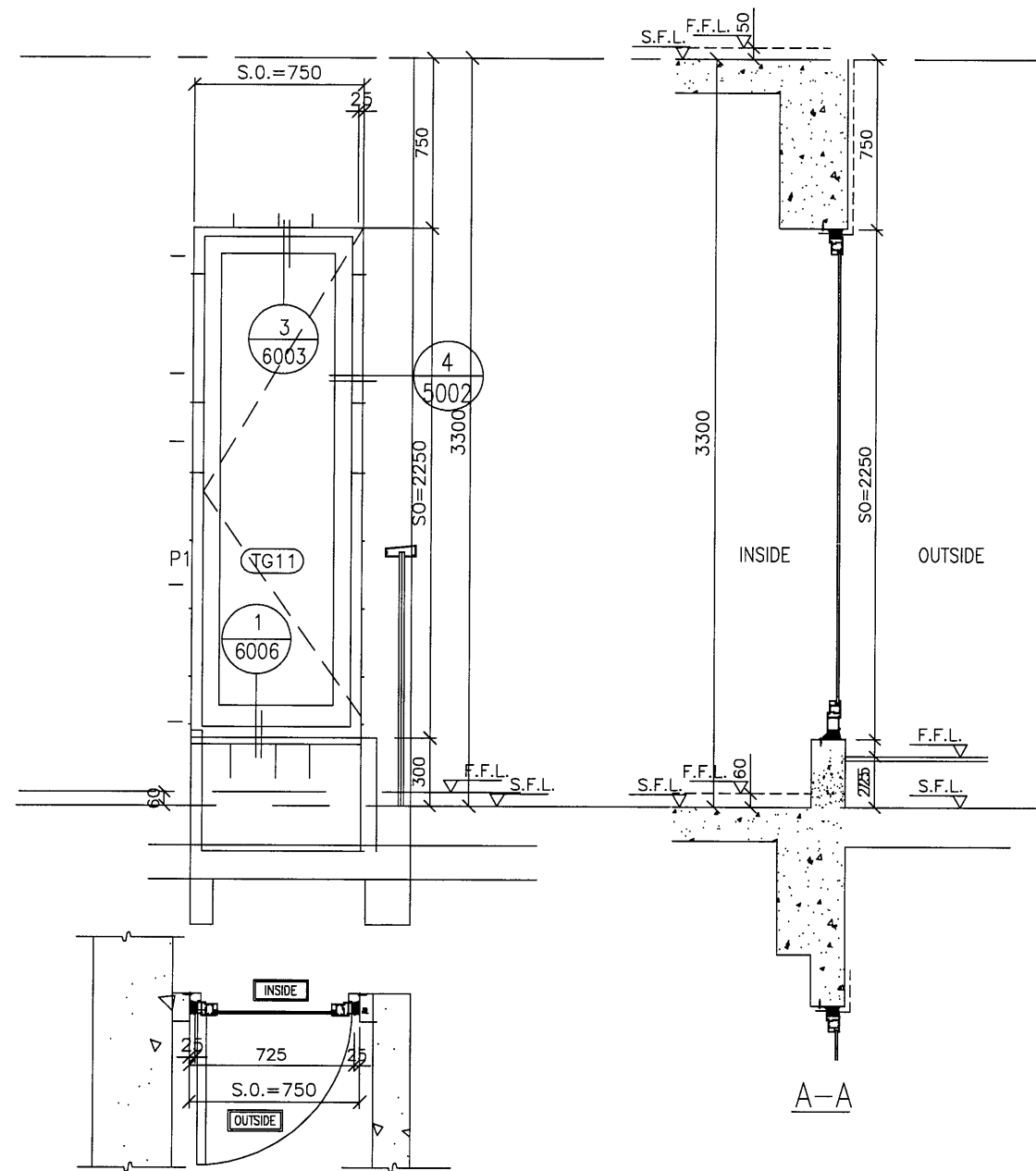
JOB NO. : J-837
 PROJECT :
 URA KWUN TONG TOWN CENTRE
 REDEVELOPMENT (AREA 2 & 3) AT
 NKIL 6514, KWUN TONG, KOWLOON

TITLE :
 ALUM. WINDOW SCHEDULE
 (FOR T3)

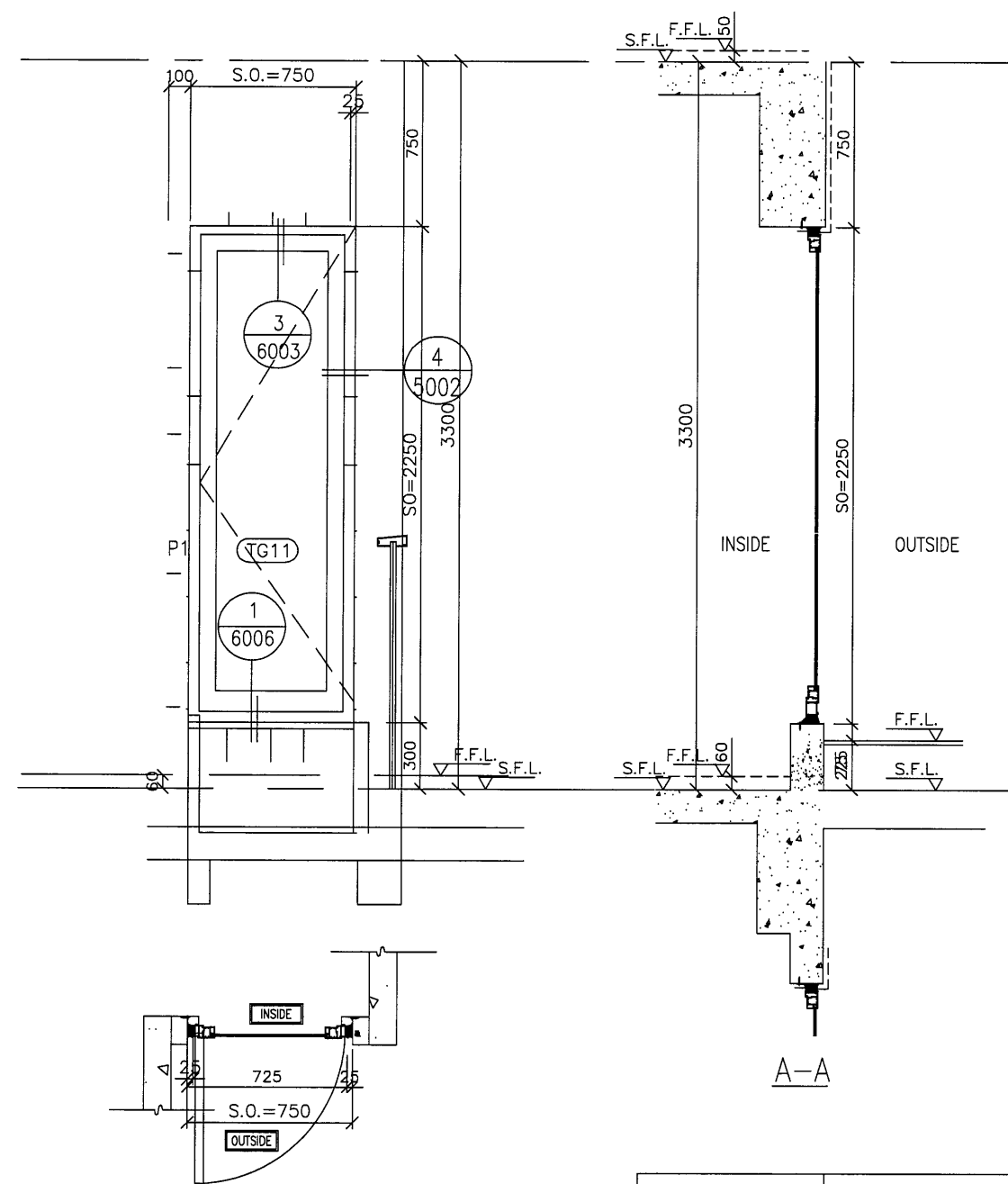
DATE : 09-JUL-18 SCALE : 1:30
 DRAWN BY : Zeng CHECKED BY : DW

美特鋁質有限公司
 MIDI ALUMINIUM FABRICATOR LTD.
 Units 6-8, Sunray Industrial Centre, 1/F
 610 Cha Kwo Ling Road, Kowloon
 Tel:23489211-4 Fax:(852)27727666
 DWG NO. : J837-IW-2307 REV. : B

ELEVATION



GLAZING AREA	Required =0.448
	Provided = 1.06
OPENABLE AREA	Required =0.28
	Provided = 1.27



GLAZING AREA	Required =0.448
	Provided = 1.06
OPENABLE AREA	Required =0.28
	Provided = 1.27

B.D. REF :

CLIENT :

信和置業有限公司
Sino Land Company Limited

ARCHITECT : WONG TUNG & PARTNERS LIMITED
ARCHITECTS & PLANNERS



MAIN CONTRACTOR :

CR Construction Company Limited

STRUCTURAL ENGINEER :

AECOM

FACADE CONSULTANT :

NOTE :

1. ALL DIMENSIONS ARE IN mm.
2. ALL ELEVATIONS ARE VIEWED FROM OUTSIDE.
3. ALL DIMENSIONS TO BE VERIFIED ON SITE BEFORE FABRICATION.

LEGEND :

- X1 --- DETAIL MARK NO.
- X001 --- REFER SHEET NO.

1. F.F.L. --- FINISHED FLOOR LEVEL
2. S.F.L. --- STRUCTURAL FLOOR LEVEL
3. (R) --- REVERSED DETAIL

NO.	DATE	REVISED	BY

JOB NO. : J-837

PROJECT :
URA KWUN TONG TOWN CENTRE
REDEVELOPMENT (AREA 2 & 3) AT
NKIL 6514, KWUN TONG, KOWLOON

TITLE :
ALUM. WINDOW SCHEDULE
(FOR T5)

DATE : 09-JUL-18 SCALE : 1:30

DRAWN BY : Zeng CHECKED BY : DW

美特鋁質有限公司
MIDI ALUMINIUM FABRICATOR LTD.
Units 6-8, Sunray Industrial Centre, 1/F
610 Cha Kwo Ling Road, Kowloon
Tel: 23489211-4 Fax: (852) 2727666

DWG NO. : J837-IW-2308 REV. : -

WINDOW MARK

SECTION : 50mm ALUM. SECTION

QTY. 1 NOS.

LOCATION : T3 52/F FLAT D STAIRCASE

GLAZING 8mm THK CLEAR TEMPERED GLASS

REMARK :

WINDOW MARK

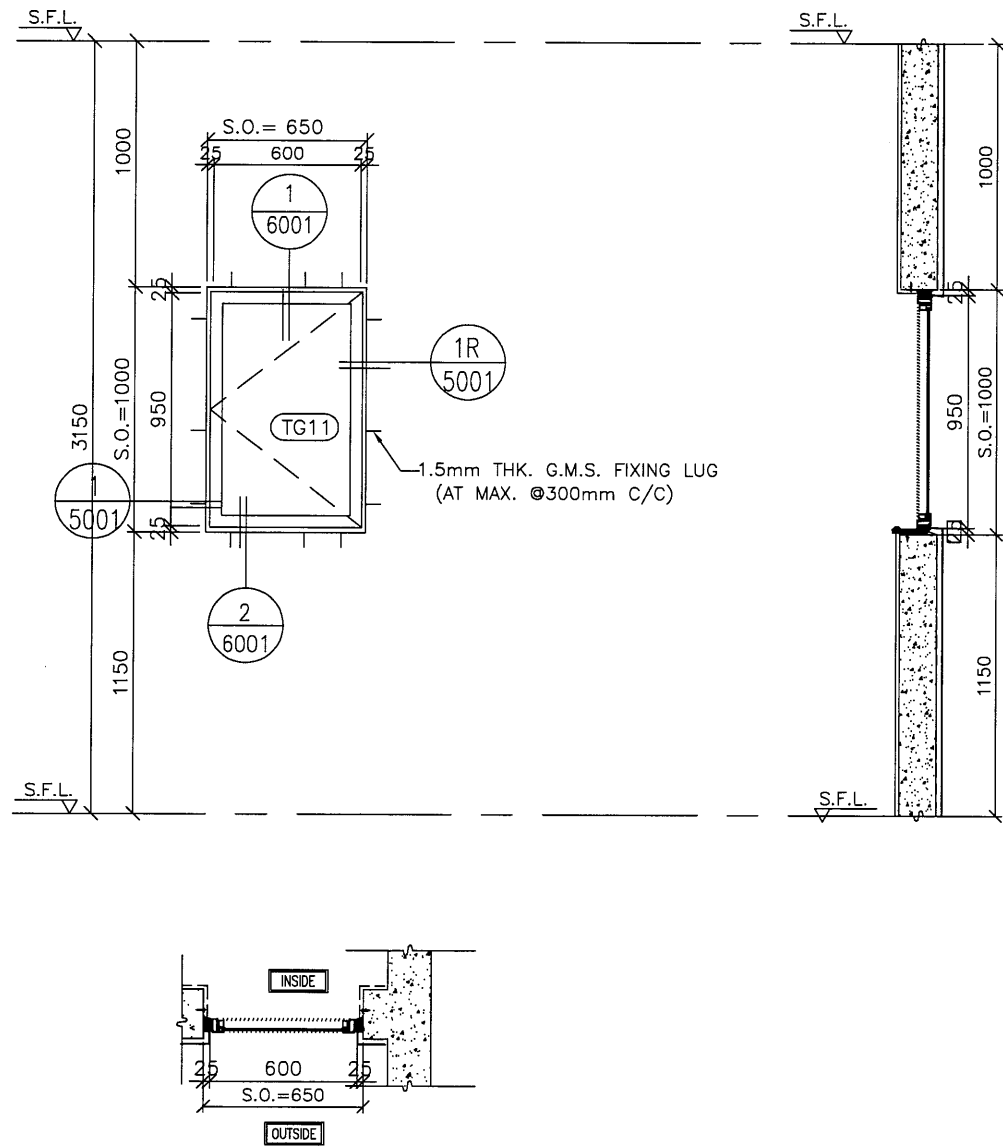
SECTION : 50mm ALUM. SECTION

1 NOS.

T3 52/F FLAT H STAIRCASE

8mm THK CLEAR TEMPERED GLASS

ELEVATION



GLAZING AREA	Required =
	Provided = 0.402
OPENABLE AREA	Required =
	Provided = 0.473

WINDOW MARK


SECTION : 50mm ALUM. SECTION
 QTY. 1 NOS. (TYPICAL)
 LOCATION : T3 LIFT MACHINE ROOMS
 GLAZING 8mm THK ACID ETCHED FROSTED TEMPERED GLASS
 REMARK :

B.D. REF :
 TYPE OF MULLIONS :
 M1 - 40x100 ALUM. SECTION

CLIENT :
 信和置業有限公司
 Sino Land Company Limited

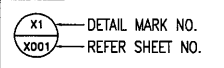
ARCHITECT :
 WONG TUNG & PARTNERS LIMITED
 ARCHITECTS & PLANNERS


MAIN CONTRACTOR :
 CR Construction Company Limited

STRUCTURAL ENGINEER :


FACADE CONSULTANT:

NOTE :
 1. ALL DIMENSIONS ARE IN mm.
 2. ALL ELEVATIONS ARE VIEWED FROM OUTSIDE.
 3. ALL DIMENSIONS TO BE VERIFIED ON SITE BEFORE FABRICATION.

LEGEND :

 1. F.F.L. -- FINISHED FLOOR LEVEL
 2. S.F.L. -- STRUCTURAL FLOOR LEVEL
 3. (R) -- REVERSED DETAIL

NO.	DATE	REVISED	BY
-----	------	---------	----

JOB NO. : J-837
 PROJECT :
 URA KWUN TONG TOWN CENTRE
 REDEVELOPMENT (AREA 2 & 3) AT
 NKIL 6514, KWUN TONG, KOWLOON

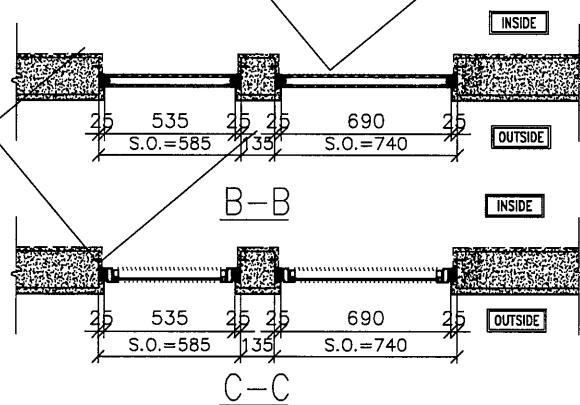
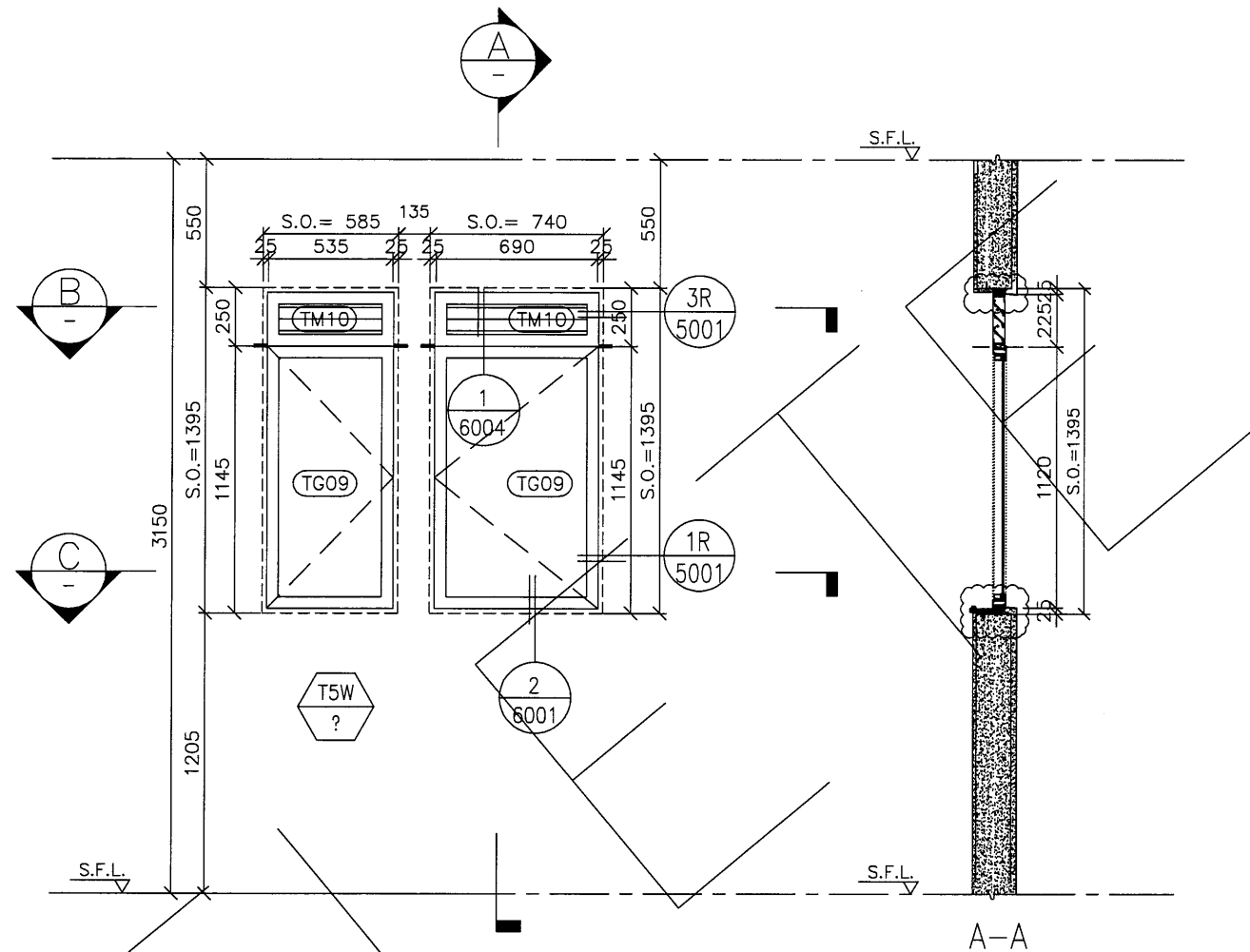
TITLE :
 ALUM. WINDOW SCHEDULE
 (FOR T1)

DATE : 09-JUL-18 SCALE : 1:30
 DRAWN BY : Zeng CHECKED BY : DW

 美特鋁質有限公司
 MIDI ALUMINIUM FABRICATOR LTD.
 Units 6-8, Sunray Industrial Centre, 1/F
 610 Cha Kwo Ling Road, Kowloon
 Tel:23489211-4 Fax:(852)2727666

DWG NO. : J837-IW-2309 REV. : -

ELEVATION



REPLACED BY T5W/51A M-BATH-2. INCORPORATED INTO SHOP DRAWING FOR IN-SITU WINDOWS (DWG NO: J837-IW-2508)

GLAZING AREA	Required =
	Provided = 0.42
OPENABLE AREA	Required =
	Provided = 0.50

GLAZING AREA	Required =
	Provided = 0.48
OPENABLE AREA	Required =
	Provided = 0.66

WINDOW MARK



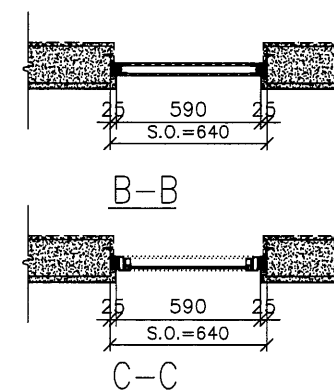
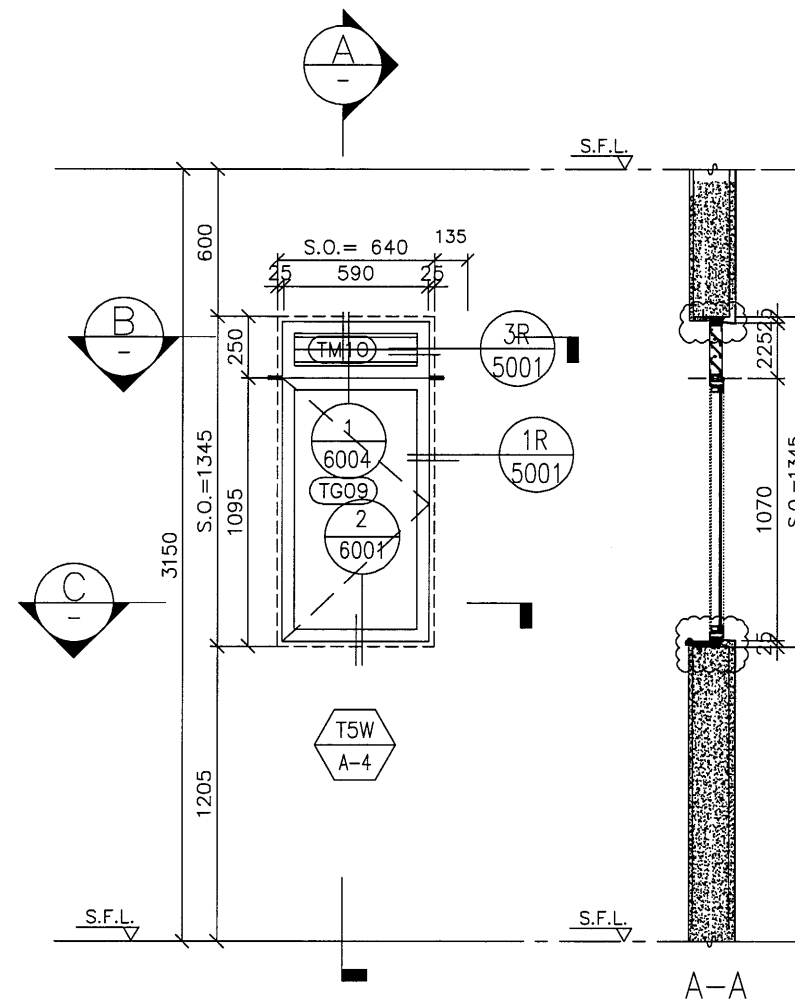
SECTION : 50mm ALUM. SECTION

QTY. 1 NOS.

LOCATION : T5 51/F FLAT M BATH AND BATH1

GLAZING 8mm THK ACID ETCHED FROSTED TEMPERED GLASS

REMARK :



SECTION : 50mm ALUM. SECTION

QTY. 38 NOS. (TYPICAL)

LOCATION : T5 7/F-26/F, 28/F-50/F FLAT (A) BATH

GLAZING 8mm THK ACID ETCHED FROSTED TEMPERED GLASS

REMARK :

此窗元A-4 (樓宇層已計)

GLAZING AREA	Required = 0.105
	Provided = 0.58
OPENABLE AREA	Required = 0.105
	Provided = 0.66

B.D. REF :

CLIENT :

信和置業有限公司
Sino Land Company Limited

ARCHITECT : WONG TUNG & PARTNERS LIMITED
ARCHITECTS & PLANNERS



MAIN CONTRACTOR :

CR Construction Company Limited

STRUCTURAL ENGINEER :

AECOM

FACADE CONSULTANT :

NOTE :

1. ALL DIMENSIONS ARE IN mm.
2. ALL ELEVATIONS ARE VIEWED FROM OUTSIDE.
3. ALL DIMENSIONS TO BE VERIFIED ON SITE BEFORE FABRICATION.

LEGEND :

- X1 - DETAIL MARK NO.
- X001 - REFER SHEET NO.

1. F.F.L. --- FINISHED FLOOR LEVEL
2. S.F.L. --- STRUCTURAL FLOOR LEVEL
3. (R) --- REVERSED DETAIL

D	2019/6/25	BY ARCHITECT COMMENT	Zeng
c	2019/3/4	BY ARCHITECT COMMENT	Zeng
B	2018/11/13	BY ARCHITECT COMMENT	Zeng
A	2018/10/9	BY ARCHITECT COMMENT	Zeng
NO.	DATE	REVISED	BY

JOB NO. : J-837

PROJECT : URA KWUN TONG TOWN CENTRE REDEVELOPMENT (AREA 2 & 3) AT NKIL 6514, KWUN TONG, KOWLOON

TITLE :

ALUM. WINDOW SCHEDULE (FOR T5)

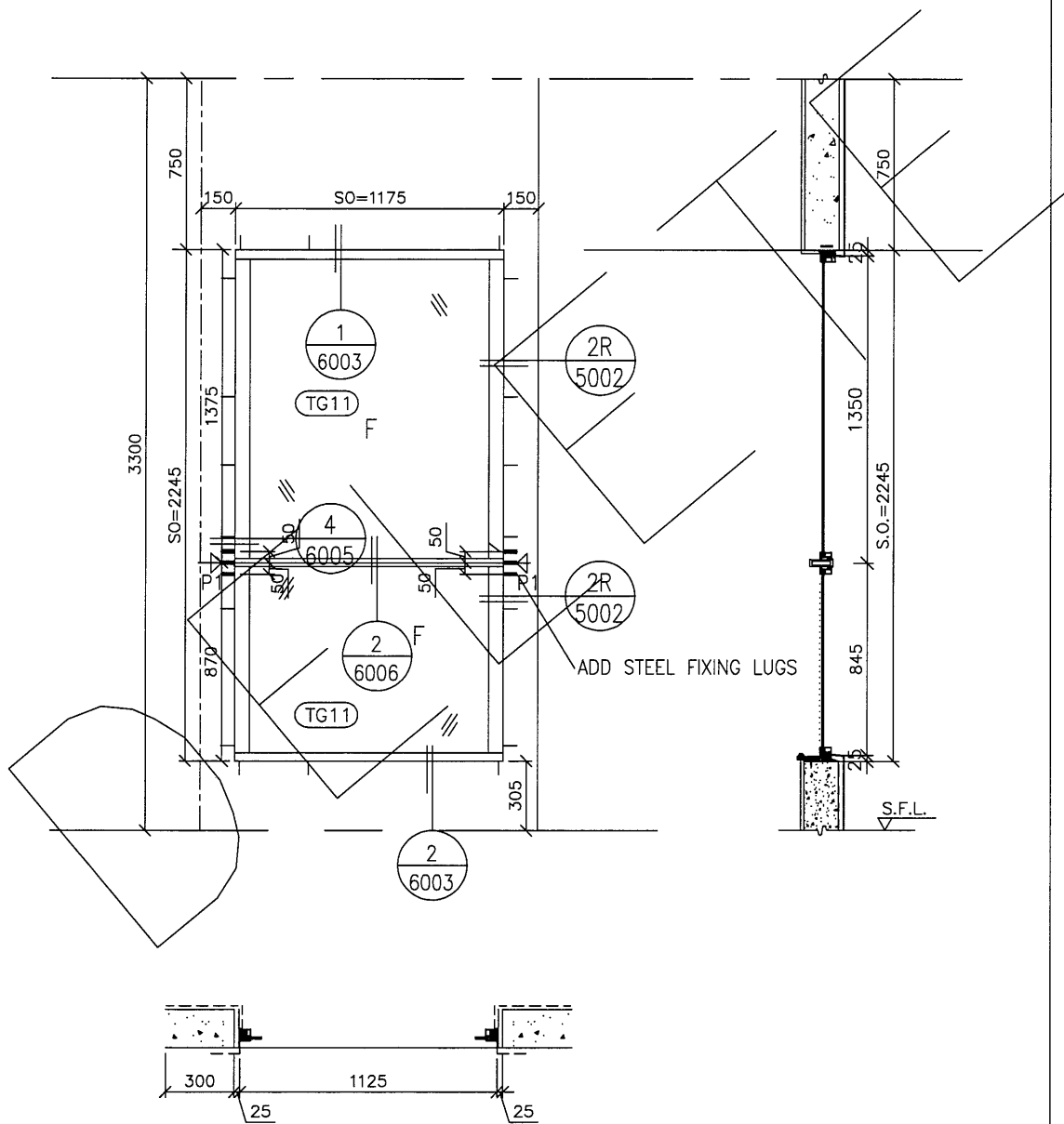
DATE : 09-JUL-18 SCALE : 1:30

DRAWN BY : Zeng CHECKED BY : DW

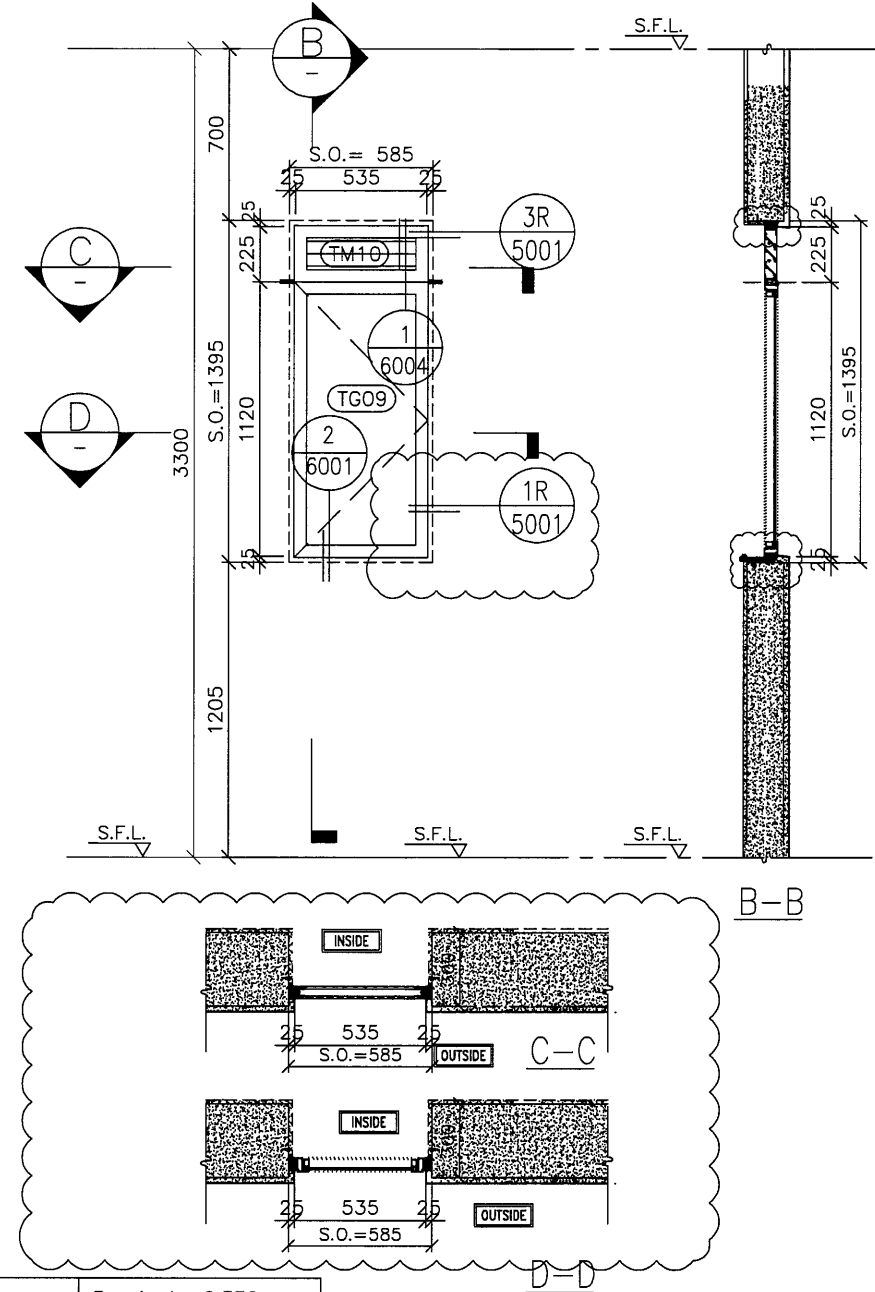
美特鋁質有限公司
MIDI ALUMINIUM FABRICATOR LTD.
Units 6-8, Sunray Industrial Centre, 1/F
610 Cha Kwo Ling Road, Kowloon
Tel: 23489211-4 Fax: (852) 2727666

DWG NO. : J837-IW-2504 REV. : D

TO BE INCORPORATED INTO
SHOP DRAWING FOR CURTAIN WALL



GLAZING AREA	Required =
	Provided = 1.40
OPENABLE AREA	Required =
	Provided = 0



GLAZING AREA	Required = 0.336
	Provided = 0.38
OPENABLE AREA	Required = 0.336
	Provided = 0.46

ELEVATION

B.D. REF :

CLIENT :
信和置業有限公司
Sino Land Company Limited

ARCHITECT :
WONG TUNG & PARTNERS LIMITED
ARCHITECTS & PLANNERS

MAIN CONTRACTOR :
CR Construction Company Limited

STRUCTURAL ENGINEER :
AECOM

FACADE CONSULTANT:

NOTE :
1. ALL DIMENSIONS ARE IN mm.
2. ALL ELEVATIONS ARE VIEWED FROM OUTSIDE.
3. ALL DIMENSIONS TO BE VERIFIED ON SITE BEFORE FABRICATION.

LEGEND :
X1 --- DETAIL MARK NO.
X001 --- REFER SHEET NO.
1. F.F.L. --- FINISHED FLOOR LEVEL
2. S.F.L. --- STRUCTURAL FLOOR LEVEL
3. (R) --- REVERSED DETAIL

A	2019/06/03	BY ARCHITECT COMMENT	Zeng
NO.	DATE	REVISED	BY

JOB NO. : J-837
PROJECT :
URA KWUN TONG TOWN CENTRE
REDEVELOPMENT (AREA 2 & 3) AT
NKIL 6514, KWUN TONG, KOWLOON

TITLE :
ALUM. WINDOW SCHEDULE
(FOR T5)

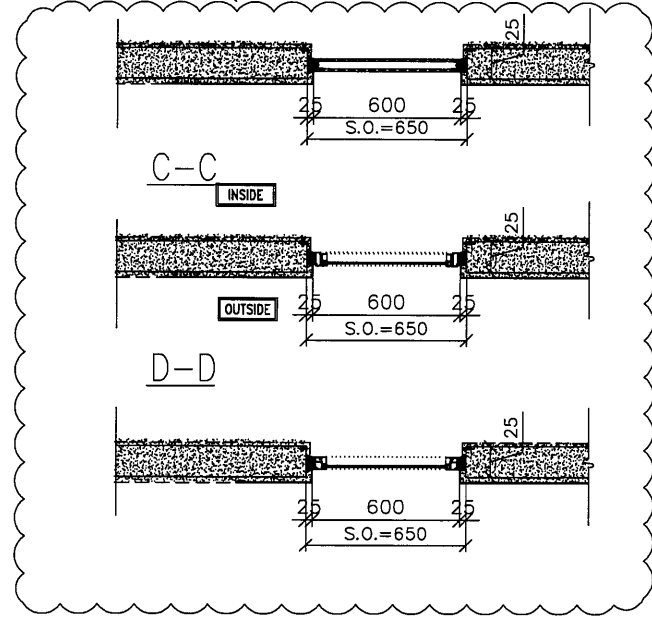
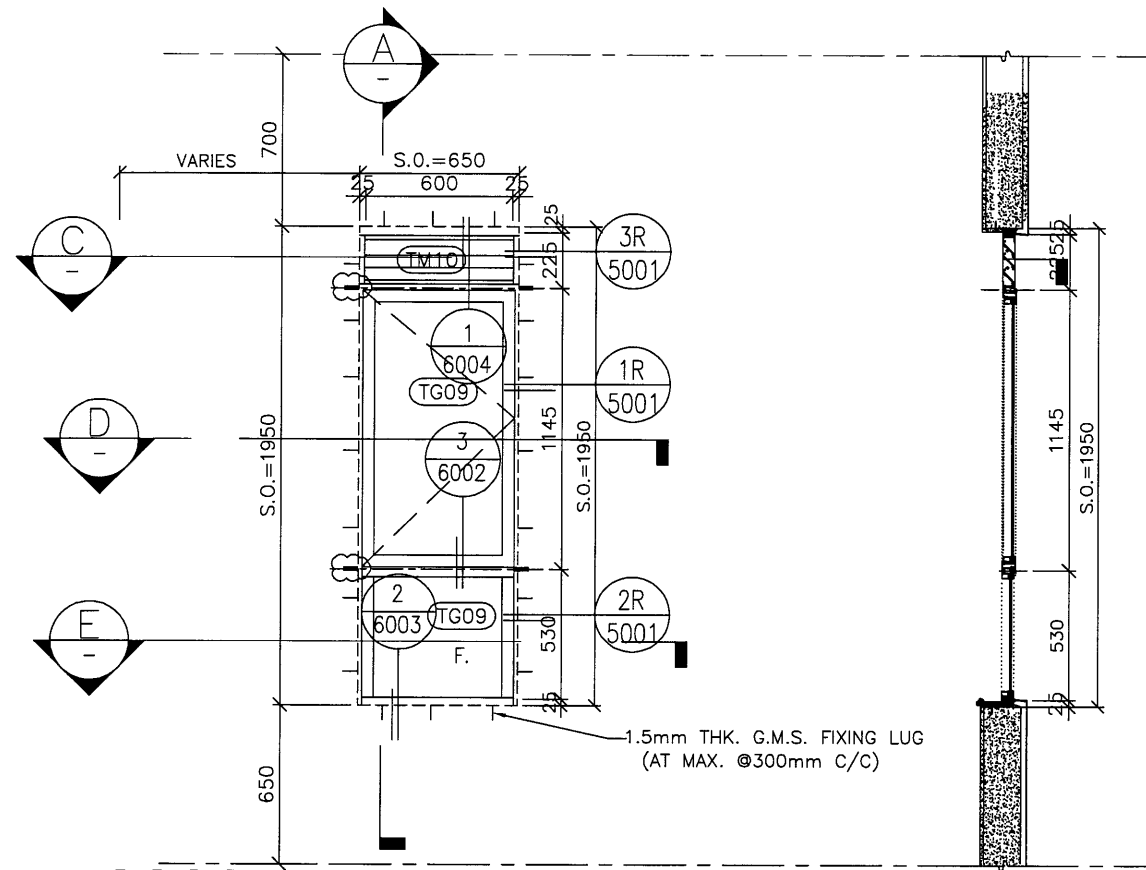
DATE : 09-JUL-18 SCALE : 1:30
DRAWN BY : Zeng CHECKED BY : DW

美特鋁質有限公司
MIDI ALUMINIUM FABRICATOR LTD.
Units 6-8, Sunray Industrial Centre, 1/F
610 Cha Kwo Ling Road, Kowloon
Tel:23489211-4 Fax:(852)2727666
DWG NO. : JB37-IW-2508 REV. : B

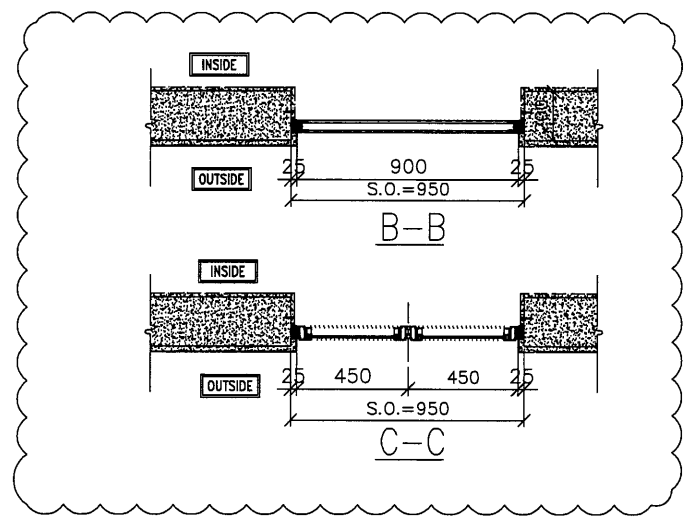
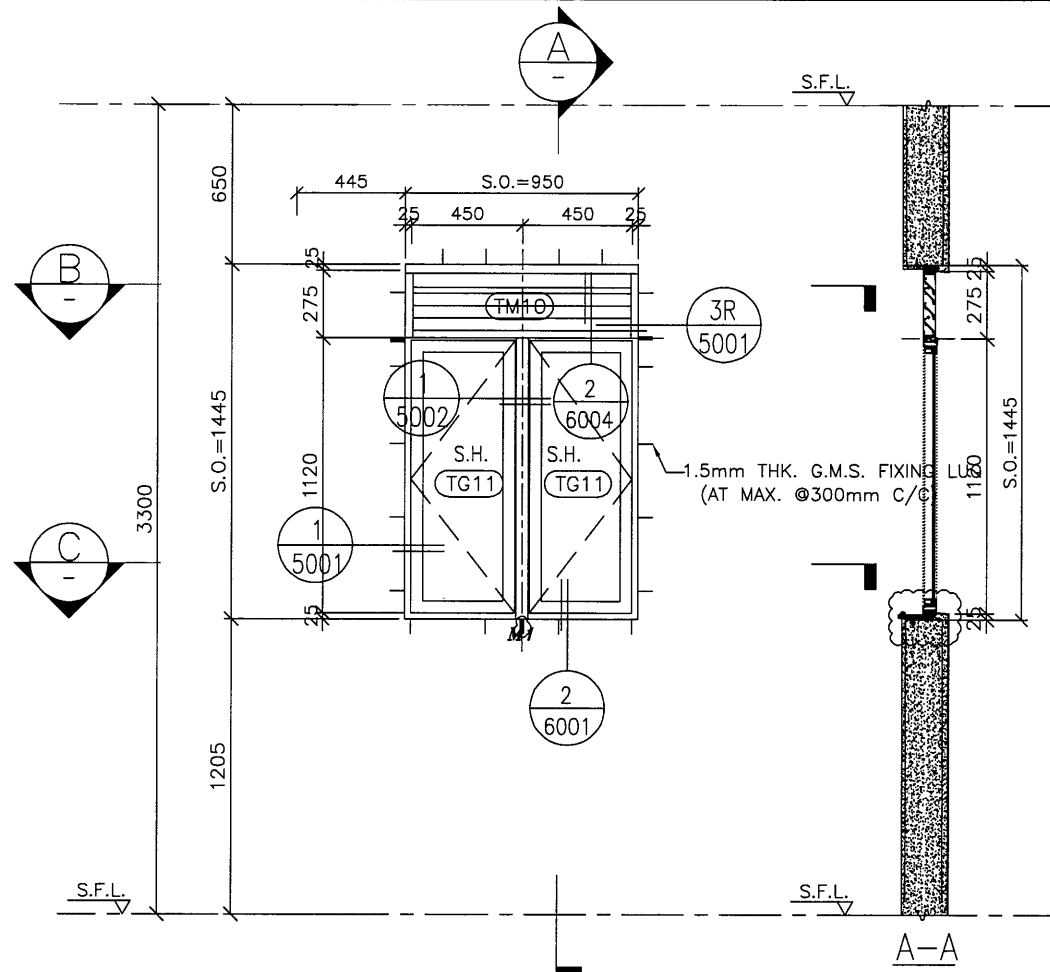
WINDOW MARK	T5W 51A-LIV
SECTION :	50mm ALUM. SECTION
QTY.	1 NOS.
LOCATION :	T5 51/F FLAT A LIV.
GLAZING	8mm THK CLEAR TEMPERED GLASS
REMARK :	

WINDOW MARK	T5W 51A-M-BATH-2
SECTION :	50mm ALUM. SECTION
QTY.	1 NOS.
LOCATION :	T5 51/F FLAT A M-BATH 2
GLAZING	8mm THK ACID ETCHED FROSTED TEMPERED GLASS
REMARK :	

ELEVATION



GLAZING AREA	Required = 0.352
	Provided = 0.71
OPENABLE AREA	Required = 0.352
	Provided = 0.58



GLAZING AREA	Required = 0.683
	Provided = 0.78
OPENABLE AREA	Required = 0.427
	Provided = 0.81

WINDOW MARK	T5W 51A M-BATH-3
SECTION :	50mm ALUM. SECTION
QTY.	1 NOS.
LOCATION :	T5 51/F FLAT A M-BATH 3
GLAZING	8mm THK ACID ETCHED FROSTED TEMPERED GLASS
REMARK :	

WINDOW MARK	T5W 51A-KIT
SECTION :	50mm ALUM. SECTION
QTY.	1 NOS.
LOCATION :	T5 51/F FLAT A KITCHEN
GLAZING	8mm THK CLEAR TEMPERED GLASS
REMARK :	

B.D. REF :

CLIENT : 信和置業有限公司
Sino Land Company Limited

ARCHITECT : WONG TUNG & PARTNERS LIMITED
ARCHITECTS & PLANNERS

MAIN CONTRACTOR : CR Construction Company Limited

STRUCTURAL ENGINEER : AECOM

FACADE CONSULTANT :

NOTE :
1. ALL DIMENSIONS ARE IN mm.
2. ALL ELEVATIONS ARE VIEWED FROM OUTSIDE.
3. ALL DIMENSIONS TO BE VERIFIED ON SITE BEFORE FABRICATION.

LEGEND :
X1 --- DETAIL MARK NO.
X001 --- REFER SHEET NO.

1. F.F.L. --- FINISHED FLOOR LEVEL
2. S.F.L. --- STRUCTURAL FLOOR LEVEL
3. (R) --- REVERSED DETAIL

A	2018/8/21	BY ARCHITECT COMMENT	Zeng
NO.	DATE	REVISED	BY

JOB NO. : J-837

PROJECT : URA KWUN TONG TOWN CENTRE REDEVELOPMENT (AREA 2 & 3) AT NKIL 6514, KWUN TONG, KOWLOON

TITLE : ALUM. WINDOW SCHEDULE (FOR T5)

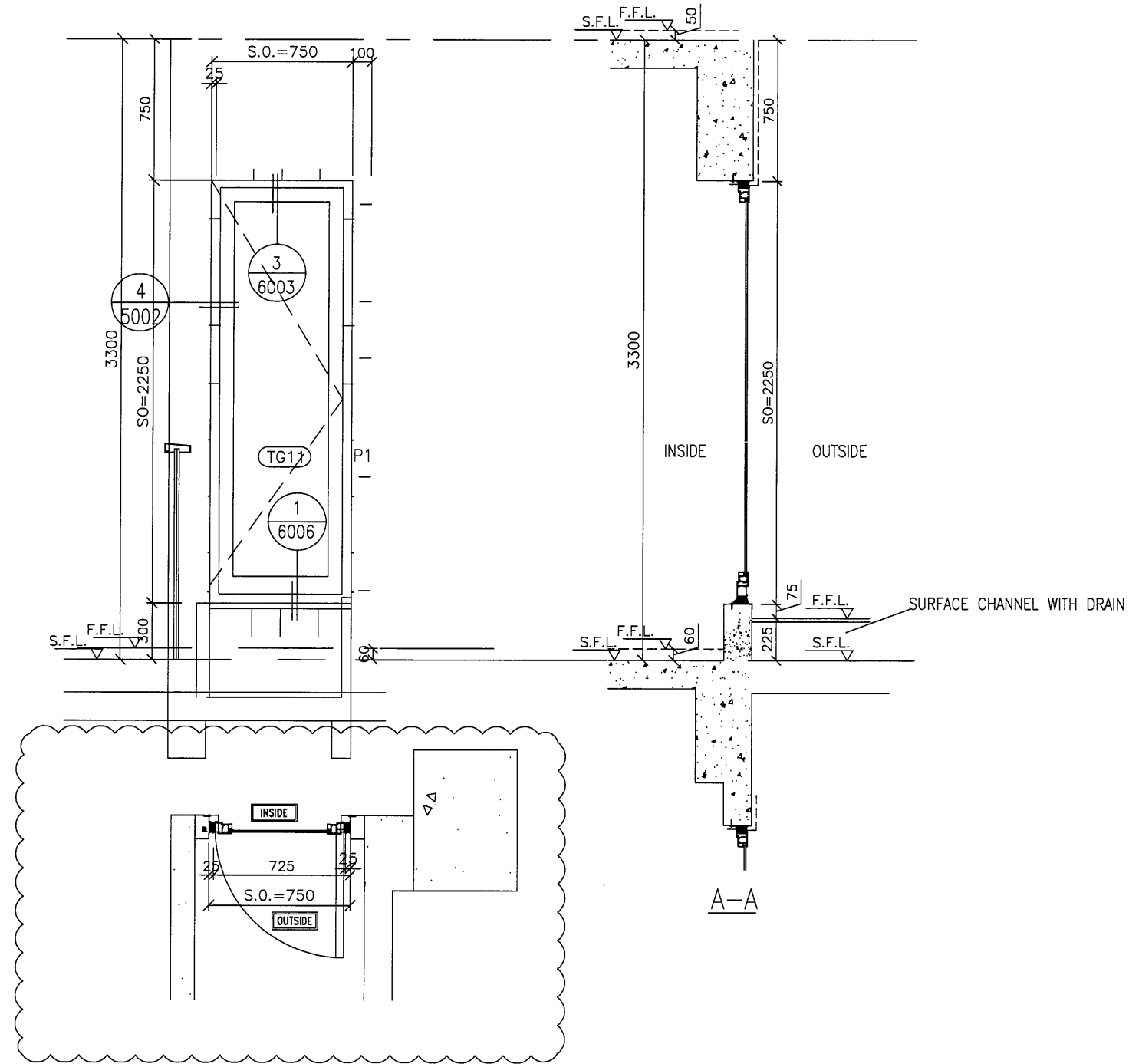
DATE : 09-JUL-18 SCALE : 1:30

DRAWN BY : Zeng CHECKED BY : DW

美特鋁質有限公司
MIDI ALUMINIUM FABRICATOR LTD.
Units 6-8, Sunray Industrial Centre, 1/F
610 Cha Kwo Ling Road, Kowloon
Tel: 23489211-4 Fax: (852) 2727666

DWG NO. : J837-IW-2509 REV. : A

ELEVATION



GLAZING AREA	Required = 0.448
	Provided = 1.06
OPENABLE AREA	Required = 0.28
	Provided = 1.27

WINDOW MARK	T5W 51A
SECTION :	50mm ALUM. SECTION
QTY.	1 NOS.
LOCATION :	T5 51/F FLAT A STAIRCASE
GLAZING	8mm THK CLEAR TEMPERED GLASS
REMARK :	

B.D. REF :

CLIENT :
 信和置業有限公司
 Sino Land Company Limited

ARCHITECT :
 WONG TUNG & PARTNERS LIMITED
 ARCHITECTS & PLANNERS

MAIN CONTRACTOR :
 CR Construction Company Limited

STRUCTURAL ENGINEER :

FACADE CONSULTANT:

NOTE :
 1. ALL DIMENSIONS ARE IN mm.
 2. ALL ELEVATIONS ARE VIEWED FROM OUTSIDE.
 3. ALL DIMENSIONS TO BE VERIFIED ON SITE BEFORE FABRICATION.

LEGEND :
 -- DETAIL MARK NO.
 -- REFER SHEET NO.
 1. F.F.L. -- FINISHED FLOOR LEVEL
 2. S.F.L. -- STRUCTURAL FLOOR LEVEL
 3. (R) -- REVERSED DETAIL

A	2019/8/21	BY ARCHITECT COMMENT	Zeng
NO.	DATE	REVISED	BY

JOB NO. : J-837

PROJECT :
 URA KWUN TONG TOWN CENTRE
 REDEVELOPMENT (AREA 2 & 3) AT
 NKIL 6514, KWUN TONG, KOWLOON

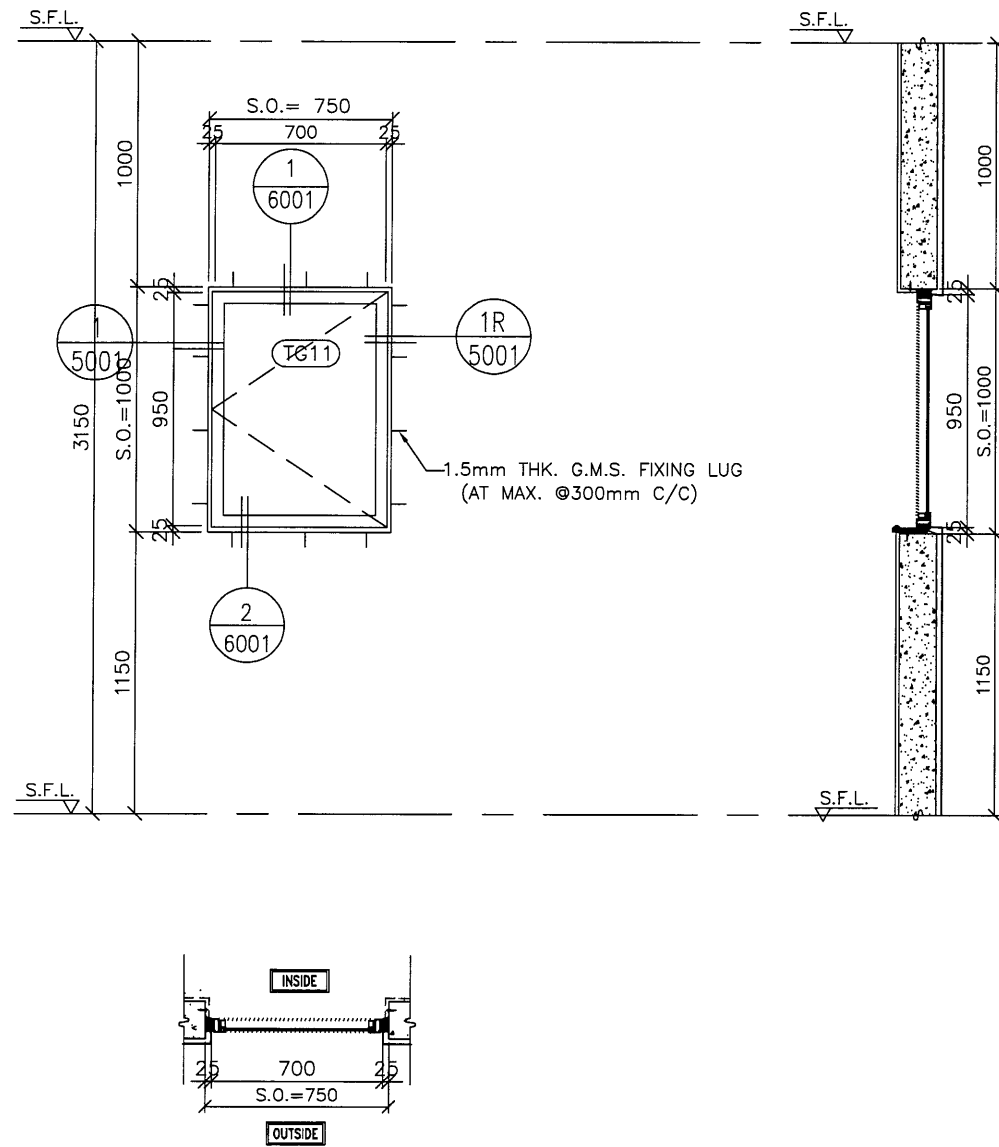
TITLE :
 ALUM. WINDOW SCHEDULE
 (FOR T5)

DATE : 09-JUL-18 SCALE : 1:30
 DRAWN BY : Zeng CHECKED BY : DW

美特鋁質有限公司
 MIDI ALUMINUM FABRICATOR LTD.
 Units 6-8, Sunray Industrial Centre, 1/F
 610 Cha Kwo Ling Road, Kowloon
 Tel: 23489211-4 Fax: (852) 2727666

DWG NO. : J837-IW-2510 REV. : -

ELEVATION



GLAZING AREA	Required =
	Provided = 0.486
OPENABLE AREA	Required =
	Provided = 0.562

WINDOW MARK	
SECTION :	50mm ALUM. SECTION
QTY.	1 NOS. (TYPICAL)
LOCATION :	T5 LIFT MACHINE ROOMS
GLAZING	8mm THK ACID ETCHED FROSTED TEMPERED GLASS
REMARK :	

B.D. REF :
 TYPE OF MULLIONS :
 M1 - 40x100 ALUM. SECTION

CLIENT :
 信和置業有限公司
 Sino Land Company Limited

ARCHITECT :
 WONG TUNG & PARTNERS LIMITED
 ARCHITECTS & PLANNERS

MAIN CONTRACTOR :
 CR Construction Company Limited

STRUCTURAL ENGINEER :
 AECOM

FACADE CONSULTANT:

NOTE :
 1. ALL DIMENSIONS ARE IN mm.
 2. ALL ELEVATIONS ARE VIEWED FROM OUTSIDE.
 3. ALL DIMENSIONS TO BE VERIFIED ON SITE BEFORE FABRICATION.

LEGEND :
 X1 - DETAIL MARK NO.
 X001 - REFER SHEET NO.
 1. F.F.L. -- FINISHED FLOOR LEVEL
 2. S.F.L. -- STRUCTURAL FLOOR LEVEL
 3. (R) -- REVERSED DETAIL

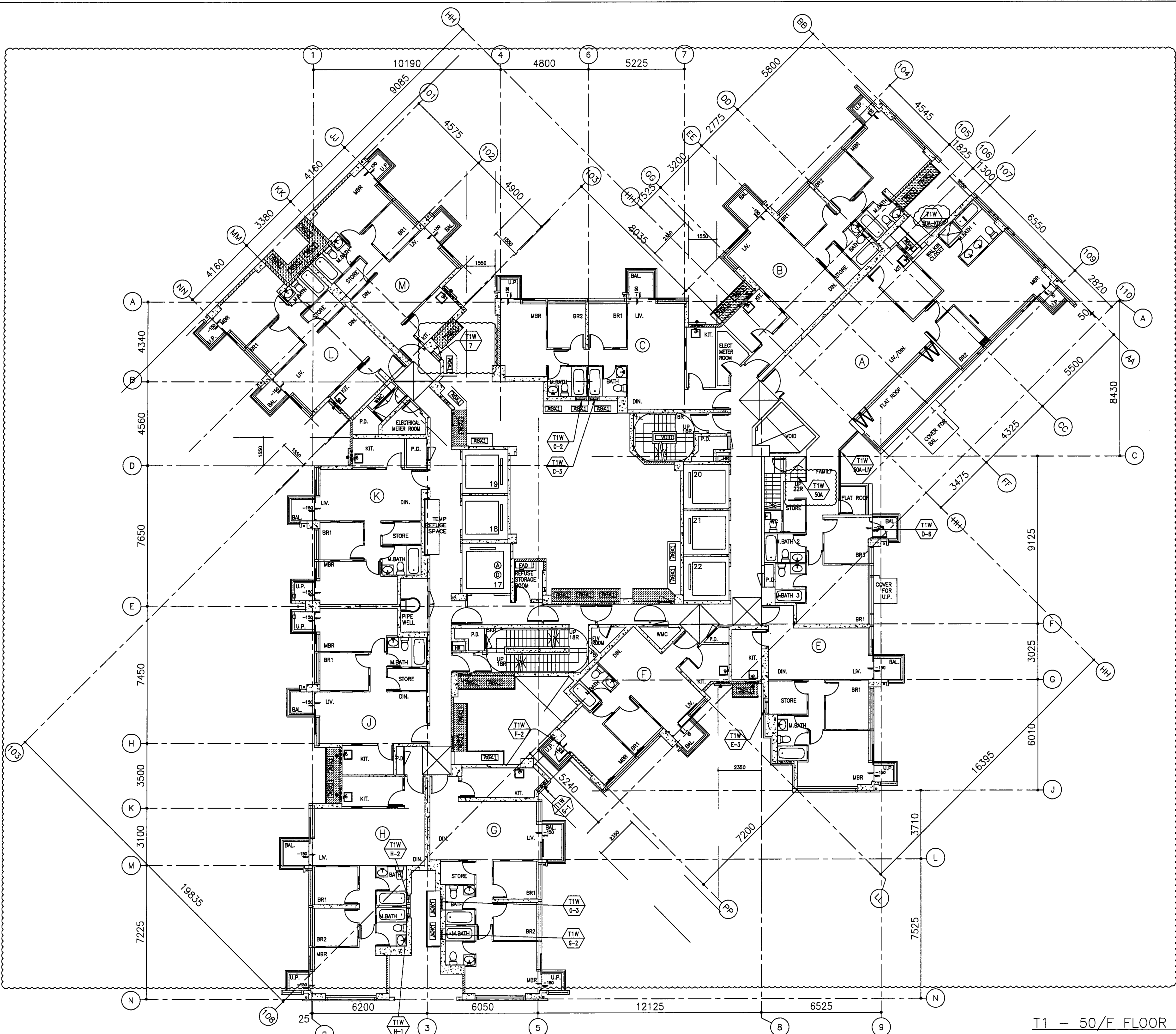
NO.	DATE	REVISED	BY
-----	------	---------	----

JOB NO. : J-837
 PROJECT :
 URA KWUN TONG TOWN CENTRE
 REDEVELOPMENT (AREA 2 & 3) AT
 NKIL 6514, KWUN TONG, KOWLOON

TITLE :
 ALUM. WINDOW SCHEDULE
 (FOR T1)


DATE : 09-JUL-18 SCALE : 1:30
 DRAWN BY : Zeng CHECKED BY : DW


美特鋁質有限公司
 MIDI ALUMINUM FABRICATOR LTD.
 Units 6-8, Sunray Industrial Centre, 1/F
 610 Cha Kwo Ling Road, Kowloon
 Tel: 23489211-4 Fax: (852) 2727666
 DWG NO. : J837-IW-2511 REV. : -





T1 - 50/F FLOOR PLAN

B.D. REF :

CLIENT :
 信和置業有限公司
 Sino Land Company Limited

ARCHITECT :
 WONG TUNG & PARTNERS LIMITED
 ARCHITECTS & PLANNERS


MAIN CONTRACTOR :
 CR Construction Company Limited

STRUCTURAL ENGINEER :


FACADE CONSULTANT:

NOTE :

- ALL DIMENSIONS ARE IN mm.
- ALL ELEVATIONS ARE VIEWED FROM OUTSIDE.
- ALL DIMENSIONS TO BE VERIFIED ON SITE BEFORE FABRICATION.

LEGEND :

X1 --- DETAIL MARK NO.
 X001 --- REFER SHEET NO.

- F.F.L. --- FINISHED FLOOR LEVEL
- S.F.L. --- STRUCTURAL FLOOR LEVEL
- (R) --- REVERSED DETAIL

D	2018-9-15	BY ARCHITECT COMMENT	Zeng
C	2018-6-25	BY ARCHITECT COMMENT	Zeng
B	2018-1-29	BY ARCHITECT COMMENT	Zeng
A	2018-12-13	BY ARCHITECT COMMENT	Zeng
NO.	DATE	REVISED	BY


JOB NO. : J-837

PROJECT :
 URA KWUN TONG TOWN CENTRE
 REDEVELOPMENT (AREA 2 & 3) AT
 NKIL 6514, KWUN TONG, KOWLOON

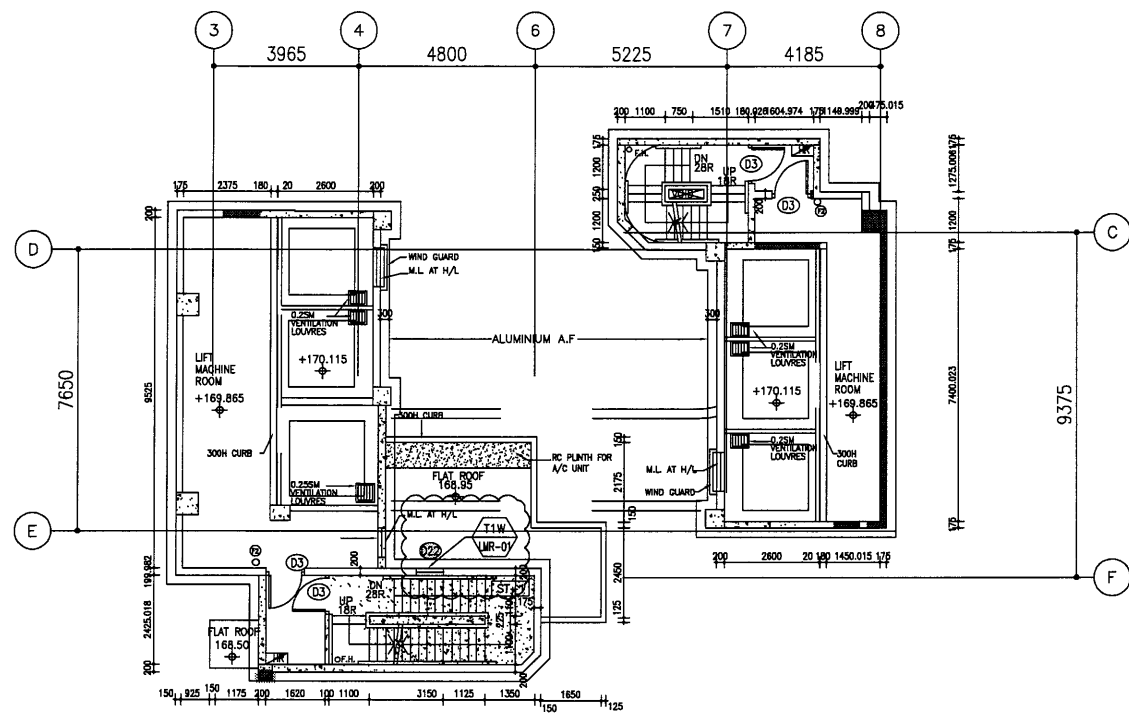
TITLE :
 FULL PLAN LAYOUT
 (FOR T1 50/F FLOOR PLAN)

DATE : 09-JUL-18 SCALE : 1:200

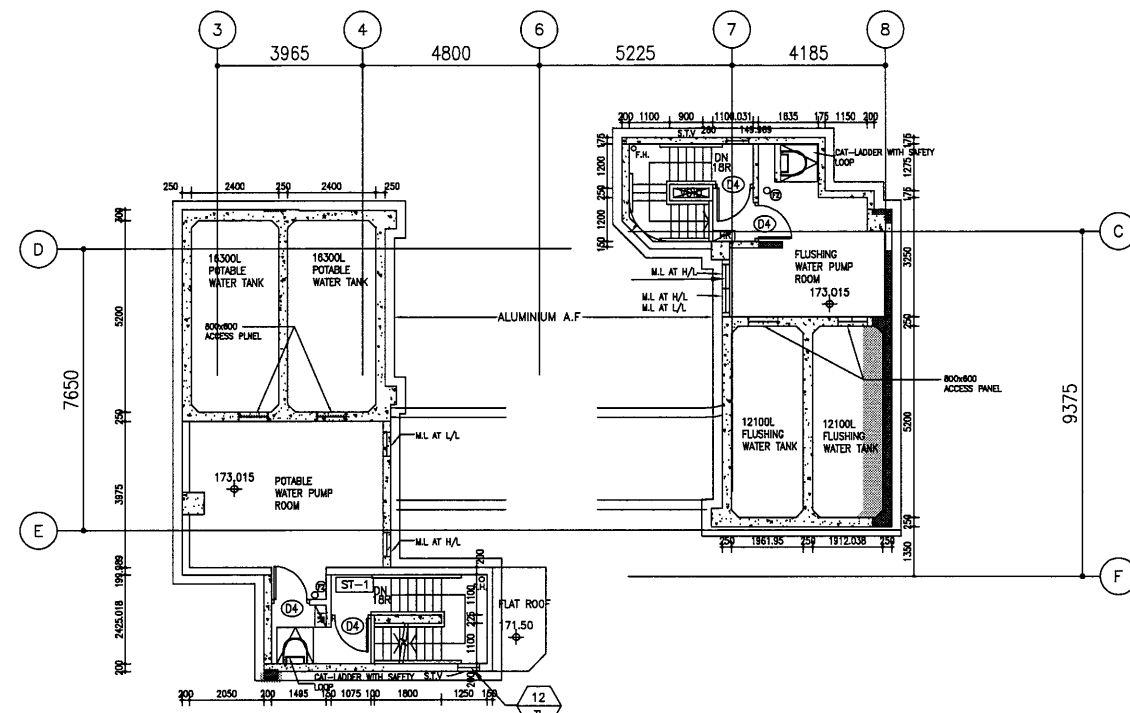
DRAWN BY : Zeng CHECKED BY : DW

 美特鋁質有限公司
 MIDI ALUMINUM FABRICATOR LTD.
 Units 6-8, Sunray Industrial Centre, 1/F
 610 Cha Kwo Ling Road, Kowloon
 Tel: 23489211-4 Fax: (852) 2727666

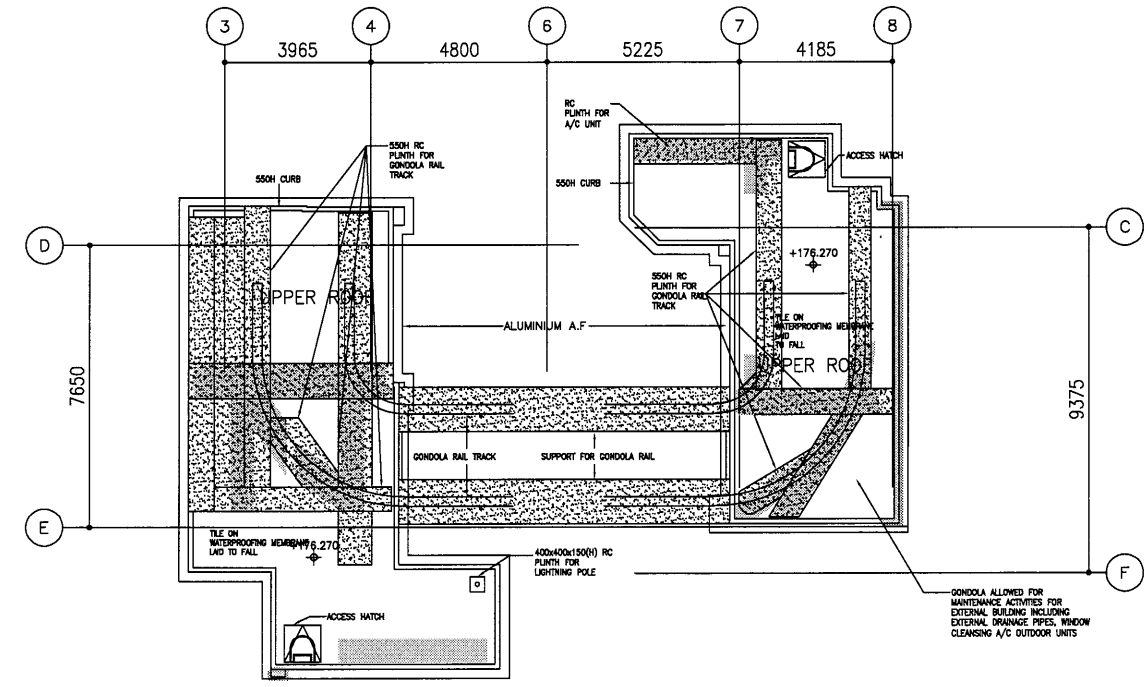
DWG No. : J837-IW-3103 REV. : D



T1 - LIFT MACHINE ROOM PLAN @+170.115



T1 - INTERMEDIATE ROOF @ +173.015



T1 - UPPER ROOF

B.D. REF :

CLIENT : 信和置業有限公司 Sino Land Company Limited

ARCHITECT : WONG TUNG & PARTNERS LIMITED ARCHITECTS & PLANNERS

MAIN CONTRACTOR : CR Construction Company Limited

STRUCTURAL ENGINEER : AECOM

FAÇADE CONSULTANT :

NOTE :

1. ALL DIMENSIONS ARE IN mm.
2. ALL ELEVATIONS ARE VIEWED FROM OUTSIDE.
3. ALL DIMENSIONS TO BE VERIFIED ON SITE BEFORE FABRICATION.

LEGEND :

X1 - DETAIL MARK NO.
X001 - REFER SHEET NO.

1. F.F.L. --- FINISHED FLOOR LEVEL
2. S.F.L. --- STRUCTURAL FLOOR LEVEL
3. (R) --- REVERSED DETAIL

NO.	DATE	REVISED	BY

JOB NO. : J-837

PROJECT : URA KWUN TONG TOWN CENTRE REDEVELOPMENT (AREA 2 & 3) AT NKIL 6514, KWUN TONG, KOWLOON

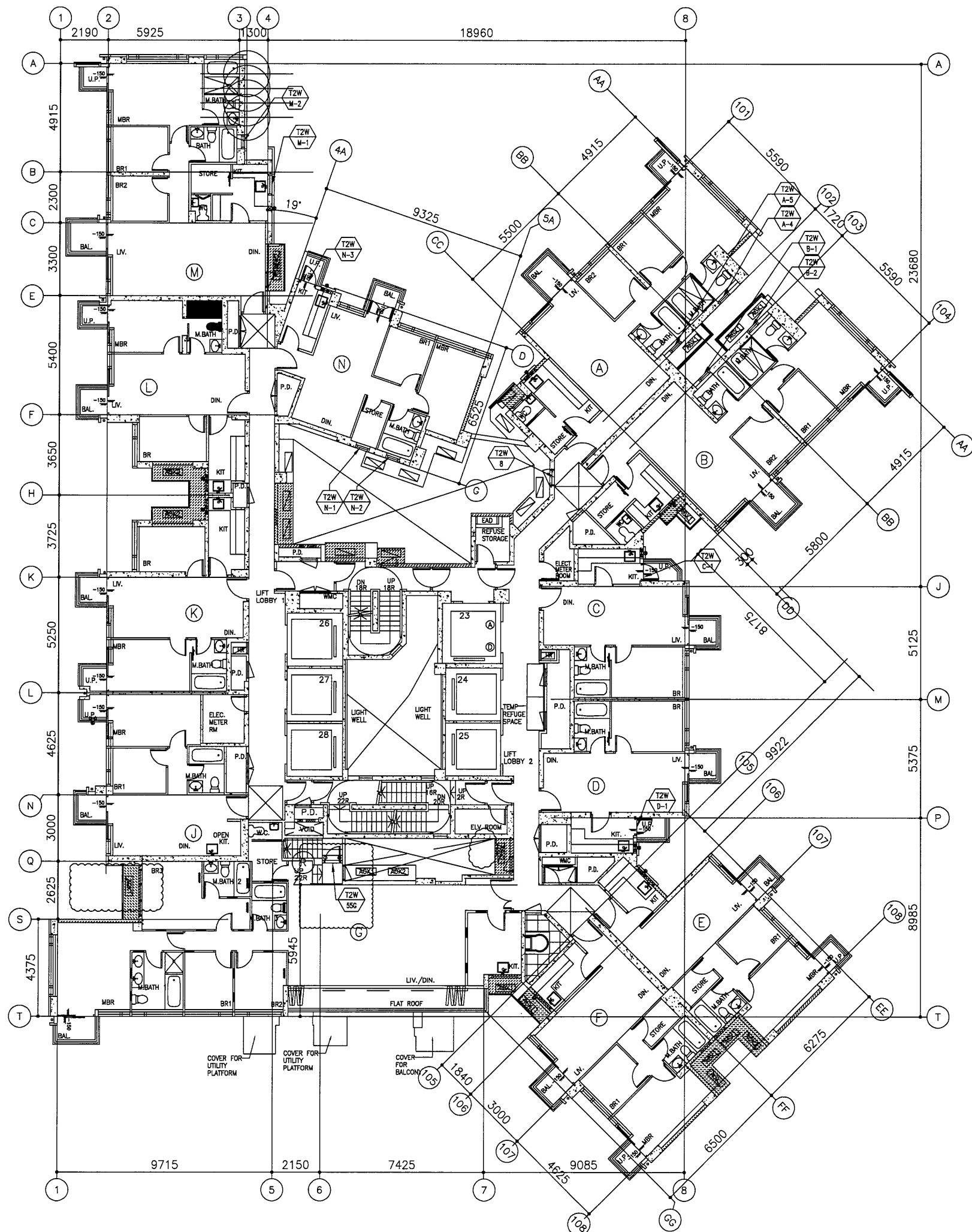
TITLE : FULL PLAN LAYOUT
T1 - INTERMEDIATE ROOF PLAN

DATE : 09-JUL-18 SCALE : 1:200

DRAWN BY : Zeng CHECKED BY : DW

MIDI ALUMINIUM FABRICATOR LTD.
Units 6-8, Sunray Industrial Centre, 1/F
610 Cha Kwo Ling Road, Kowloon
Tel: 23489211-4 Fax: (852) 2727666


DWG NO. : JB37-IW-3104 REV. : -



B.D. REF :

CLIENT :
 信和置業有限公司
 Sino Land Company Limited

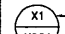
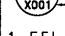
ARCHITECT :
 WONG TUNG & PARTNERS LIMITED
 ARCHITECTS & PLANNERS


MAIN CONTRACTOR :
 CR Construction Company Limited

STRUCTURAL ENGINEER :


FACADE CONSULTANT:

NOTE :
 1. ALL DIMENSIONS ARE IN mm.
 2. ALL ELEVATIONS ARE VIEWED FROM OUTSIDE.
 3. ALL DIMENSIONS TO BE VERIFIED ON SITE BEFORE FABRICATION.

LEGEND :
 -- DETAIL MARK NO.
 -- REFER SHEET NO.
 1. F.F.L. -- FINISHED FLOOR LEVEL
 2. S.F.L. -- STRUCTURAL FLOOR LEVEL
 3. (R) -- REVERSED DETAIL

D	2019-08-15	BY ARCHITECT COMMENT	Zeng
C	2019-06-25	BY ARCHITECT COMMENT	Zeng
B	2019-11-29	BY ARCHITECT COMMENT	Zeng
A	2018-12-13	BY ARCHITECT COMMENT	Zeng
NO.	DATE	REVISED	BY

JOB NO. : J-837
 PROJECT :
 URA KWUN TONG TOWN CENTRE
 REDEVELOPMENT (AREA 2 & 3) AT
 NKIL 6514, KWUN TONG, KOWLOON

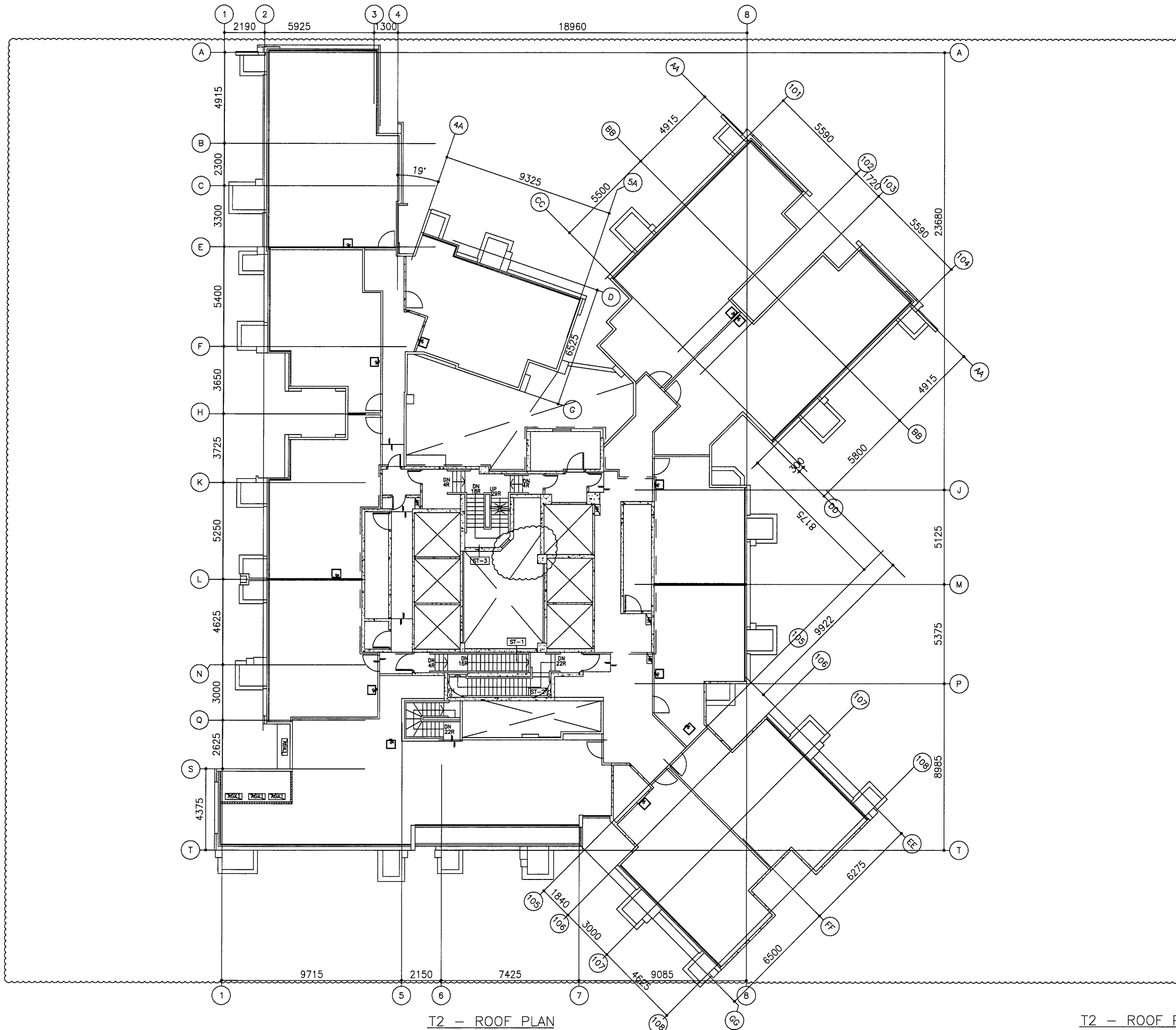
TITLE :
 FULL PLAN LAYOUT
 (FOR T2 55/F FLOOR PLAN)

DATE : 09-JUL-18 SCALE : 1:200
 DRAWN BY : Zeng CHECKED BY : DW

 美特鋁質有限公司
 MIDI ALUMINUM FABRICATOR LTD.
 Units 6-8, Sunray Industrial Centre, 1/F
 610 Cha Kwo Ling Road, Kowloon
 Tel: 23489211-4 Fax: (852) 27727666

DWG NO. : JB37-IW-3203 REV. : D

T2 - 55/F FLOOR PLAN




T2 - ROOF PLAN

T2 - ROOF PLAN

B.D. REF :

CLIENT :
 信和置業有限公司
 Sino Land Company Limited

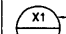
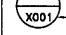
ARCHITECT :
 WONG TUNG & PARTNERS LIMITED
 ARCHITECTS & PLANNERS


MAIN CONTRACTOR :
 CR Construction Company Limited

STRUCTURAL ENGINEER :


FACADE CONSULTANT:

NOTE :
 1. ALL DIMENSIONS ARE IN mm.
 2. ALL ELEVATIONS ARE VIEWED FROM OUTSIDE.
 3. ALL DIMENSIONS TO BE VERIFIED ON SITE BEFORE FABRICATION.

LEGEND :
 -- DETAIL MARK NO.
 -- REFER SHEET NO.
 1. F.F.L. -- FINISHED FLOOR LEVEL
 2. S.F.L. -- STRUCTURAL FLOOR LEVEL
 3. (R) -- REVERSED DETAIL

NO.	DATE	BY ARCHITECT COMMENT	Zeng
A	2019-2-12		

JOB NO. : J-837

PROJECT :
 URA KWUN TONG TOWN CENTRE
 REDEVELOPMENT (AREA 2 & 3) AT
 NKIL 6514, KWUN TONG, KOWLOON

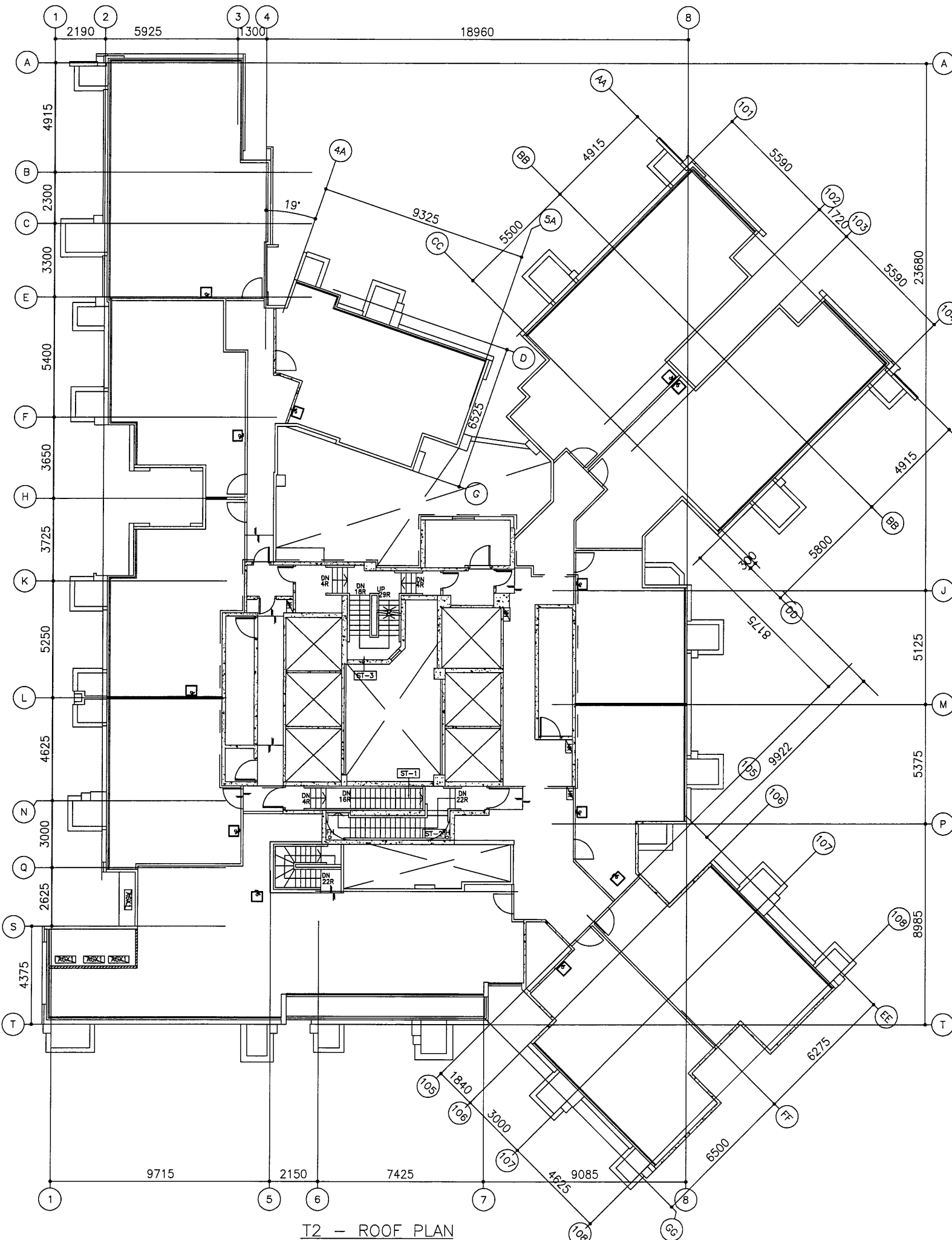
TITLE :
 FULL PLAN LAYOUT
 (FOR T2 ROOF PLAN)

DATE : 09-JUL-18 SCALE : 1:200

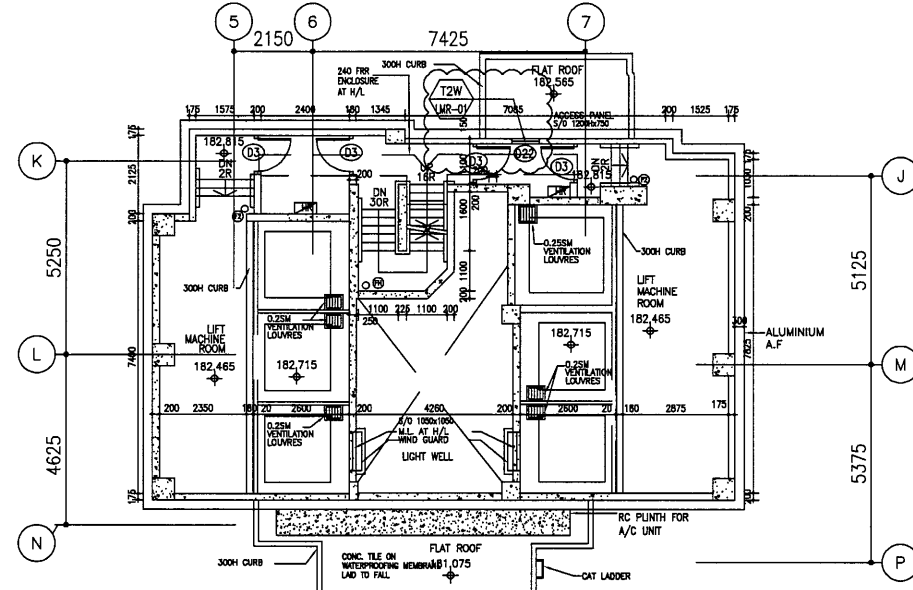
DRAWN BY : Zeng CHECKED BY : DW

 美特鋁質有限公司
 MIDI ALUMINUM FABRICATOR LTD.
 Units 6-8, Sunray Industrial Centre, 1/F
 610 Cha Kwo Ling Road, Kowloon
 Tel:23489211-4 Fax:(852)27727666

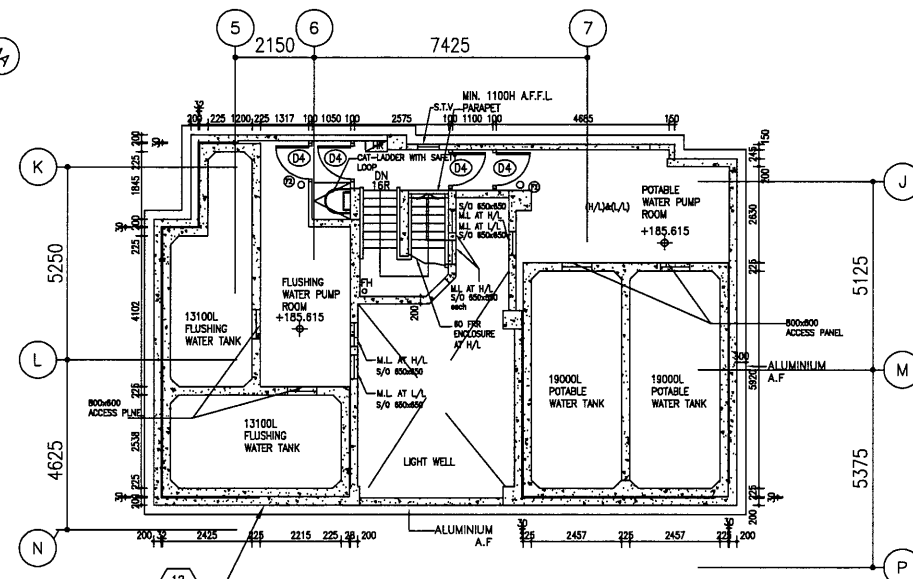
DWG NO. : J837-IW-3204 REV. : A



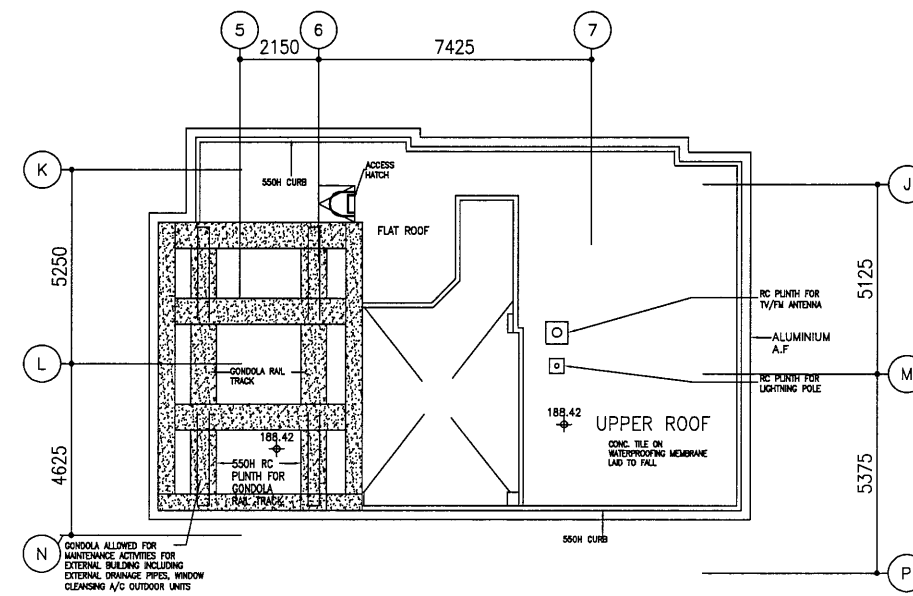
T2 - ROOF PLAN



T2 - LIFT MACHINE ROOM PLAN @+182.715



T2 - INTERMEDIATE ROOF PLAN @+185.615



T2 - UPPER ROOF

B.D. REF :

CLIENT : 信和置業有限公司 Sino Land Company Limited

ARCHITECT : WONG TUNG & PARTNERS LIMITED ARCHITECTS & PLANNERS

MAIN CONTRACTOR : CR Construction Company Limited

STRUCTURAL ENGINEER : AECOM

FAÇADE CONSULTANT :

NOTE :

1. ALL DIMENSIONS ARE IN mm.
2. ALL ELEVATIONS ARE VIEWED FROM OUTSIDE.
3. ALL DIMENSIONS TO BE VERIFIED ON SITE BEFORE FABRICATION.

LEGEND :

X1 --- DETAIL MARK NO.
X001 --- REFER SHEET NO.

1. F.F.L. --- FINISHED FLOOR LEVEL
2. S.F.L. --- STRUCTURAL FLOOR LEVEL
3. (R) --- REVERSED DETAIL

NO.	DATE	REVISED	BY

JOB NO. : J-837

PROJECT : URA KWUN TONG TOWN CENTRE REDEVELOPMENT (AREA 2 & 3) AT NKIL 6514, KWUN TONG, KOWLOON

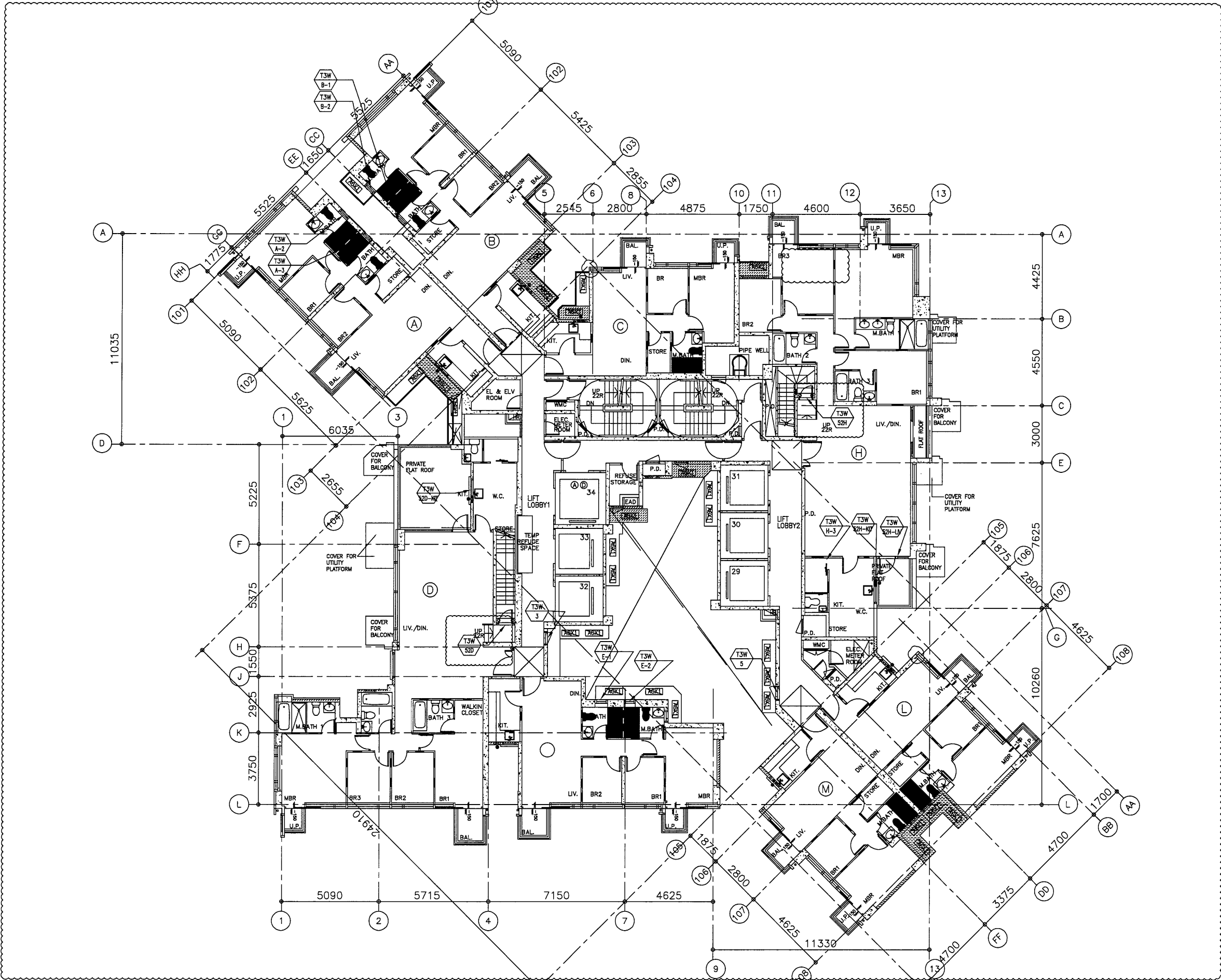
TITLE : FULL PLAN LAYOUT (FOR T2 ROOF PLAN)

DATE : 09-JUL-18 SCALE : 1:200

DRAWN BY : Zeng CHECKED BY : DW

美特鋁質有限公司 MIDI ALUMINIUM FABRICATOR LTD.
Units 6-8, Sunray Industrial Centre, 1/F
610 Cha Kwo Ling Road, Kowloon
Tel:23489211-4 Fax:(852)2727666


DWG NO. : J837-IW-3205 REV. : -



B.D. REF :

CLIENT :
 信和置業有限公司
 Sino Land Company Limited

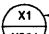

ARCHITECT :
 WONG TUNG & PARTNERS LIMITED
 ARCHITECTS & PLANNERS


MAIN CONTRACTOR :
 CR Construction Company Limited

STRUCTURAL ENGINEER :


FACADE CONSULTANT :

NOTE :
 1. ALL DIMENSIONS ARE IN mm.
 2. ALL ELEVATIONS ARE VIEWED FROM OUTSIDE.
 3. ALL DIMENSIONS TO BE VERIFIED ON SITE BEFORE FABRICATION.

LEGEND :
 X1 --- DETAIL MARK NO.
 X001 --- REFER SHEET NO.
 1. F.F.L. --- FINISHED FLOOR LEVEL
 2. S.F.L. --- STRUCTURAL FLOOR LEVEL
 3. (R) --- REVERSED DETAIL

D	2019-6-16	BY ARCHITECT COMMENT	Zeng
C	2019-6-25	BY ARCHITECT COMMENT	Zeng
B	2019-1-29	BY ARCHITECT COMMENT	Zeng
A	2018-12-13	BY ARCHITECT COMMENT	Zeng
NO.	DATE	REVISED	BY

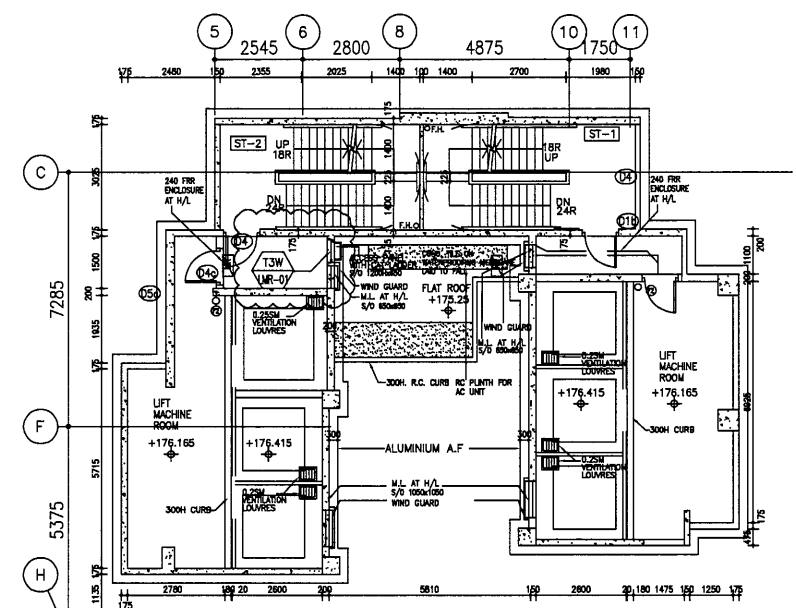
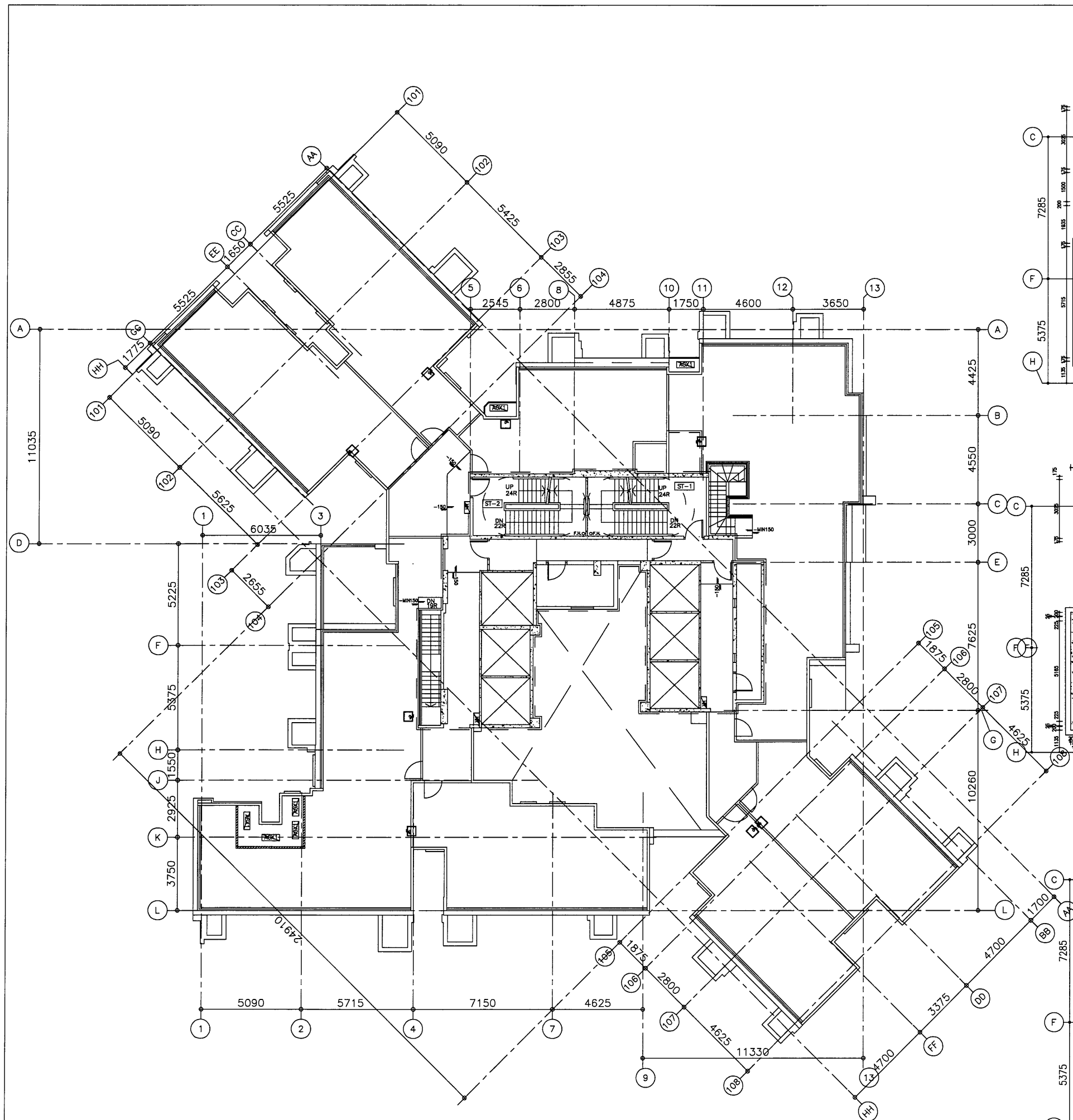
JOB NO. : J-837
 PROJECT :
 URA KWUN TONG TOWN CENTRE
 REDEVELOPMENT (AREA 2 & 3) AT
 NKIL 6514, KWUN TONG, KOWLOON

TITLE :
 FULL PLAN LAYOUT
 (FOR T3 52/F FLOOR PLAN)

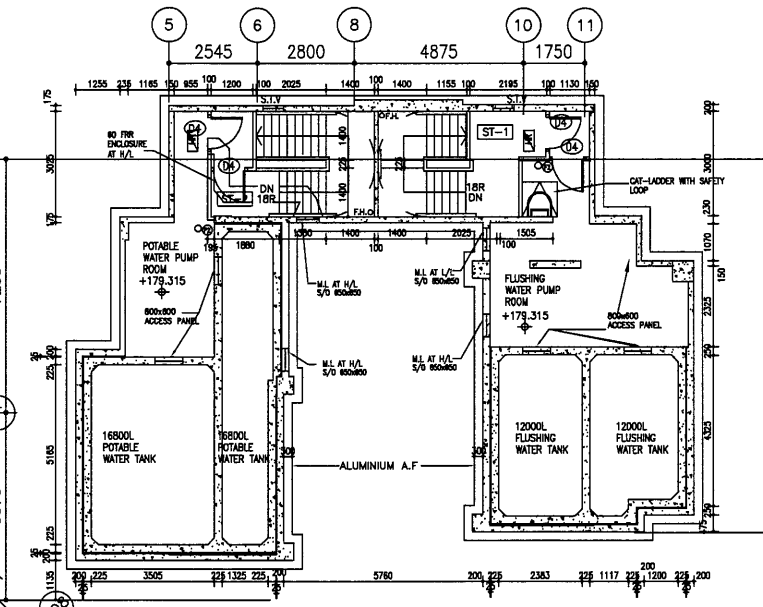
DATE : 09-JUL-18 SCALE : 1:200
 DRAWN BY : Zeng CHECKED BY : DW

 美特鋁質有限公司
 MIDI ALUMINUM FABRICATOR LTD.
 Units 6-8, Sunray Industrial Centre, 1/F
 610 Cha Kwo Ling Road, Kowloon
 Tel:23489211-4 Fax:(852)2772666
 DWG NO. : J837-IW-3303 REV. : D

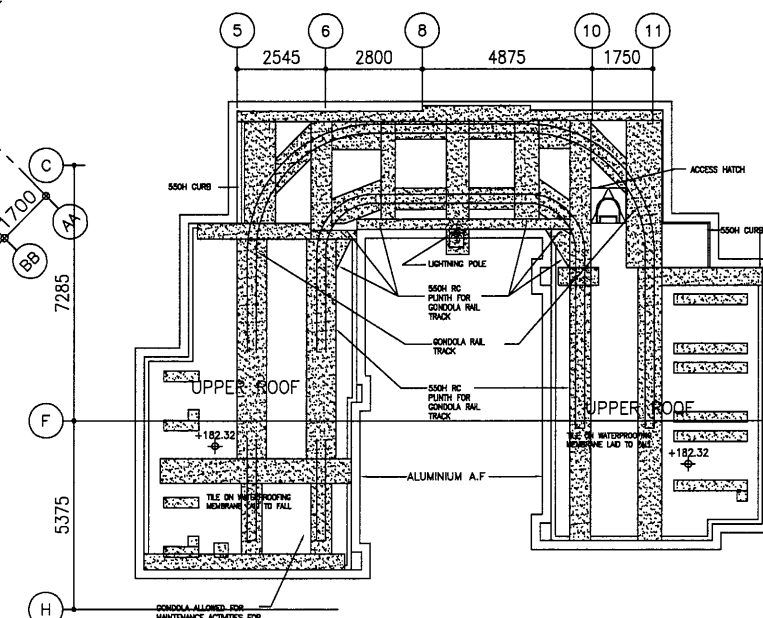
T3 - 52/F FLOOR PLAN



T3 - LIFT MACHINE ROOM PLAN @+176.415



T3 - INTERMEDIATE ROOF @+179.315



T3 - UPPER ROOF

B.D. REF :

CLIENT :
 信和置業有限公司
 Sino Land Company Limited

ARCHITECT :
 WONG TUNG & PARTNERS LIMITED
 ARCHITECTS & PLANNERS

MAIN CONTRACTOR :
 CR Construction Company Limited

STRUCTURAL ENGINEER :
 AECOM

FAÇADE CONSULTANT:

NOTE :
 1. ALL DIMENSIONS ARE IN mm.
 2. ALL ELEVATIONS ARE VIEWED FROM OUTSIDE.
 3. ALL DIMENSIONS TO BE VERIFIED ON SITE BEFORE FABRICATION.

LEGEND :
 X1 --- DETAIL MARK NO.
 X001 --- REFER SHEET NO.
 1. F.F.L. --- FINISHED FLOOR LEVEL
 2. S.F.L. --- STRUCTURAL FLOOR LEVEL
 3. (R) --- REVERSED DETAIL

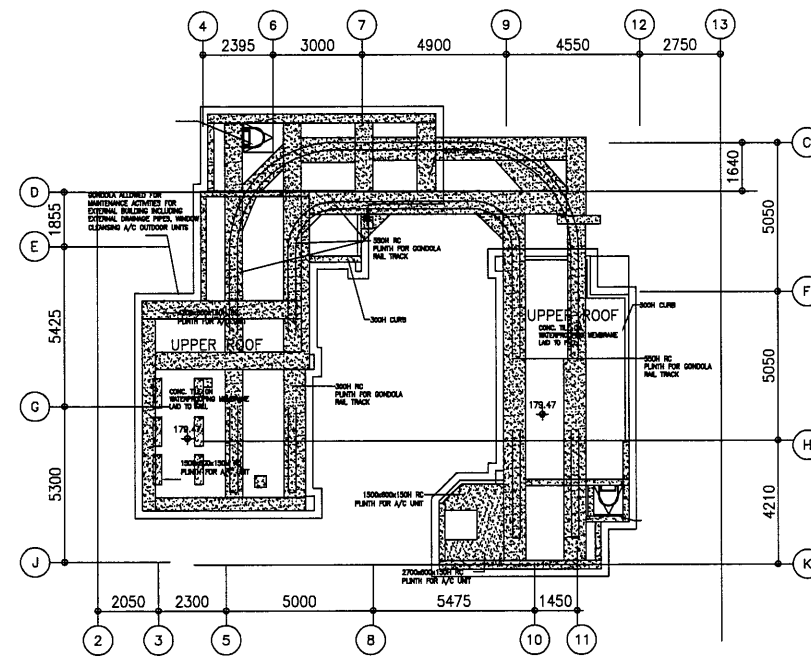
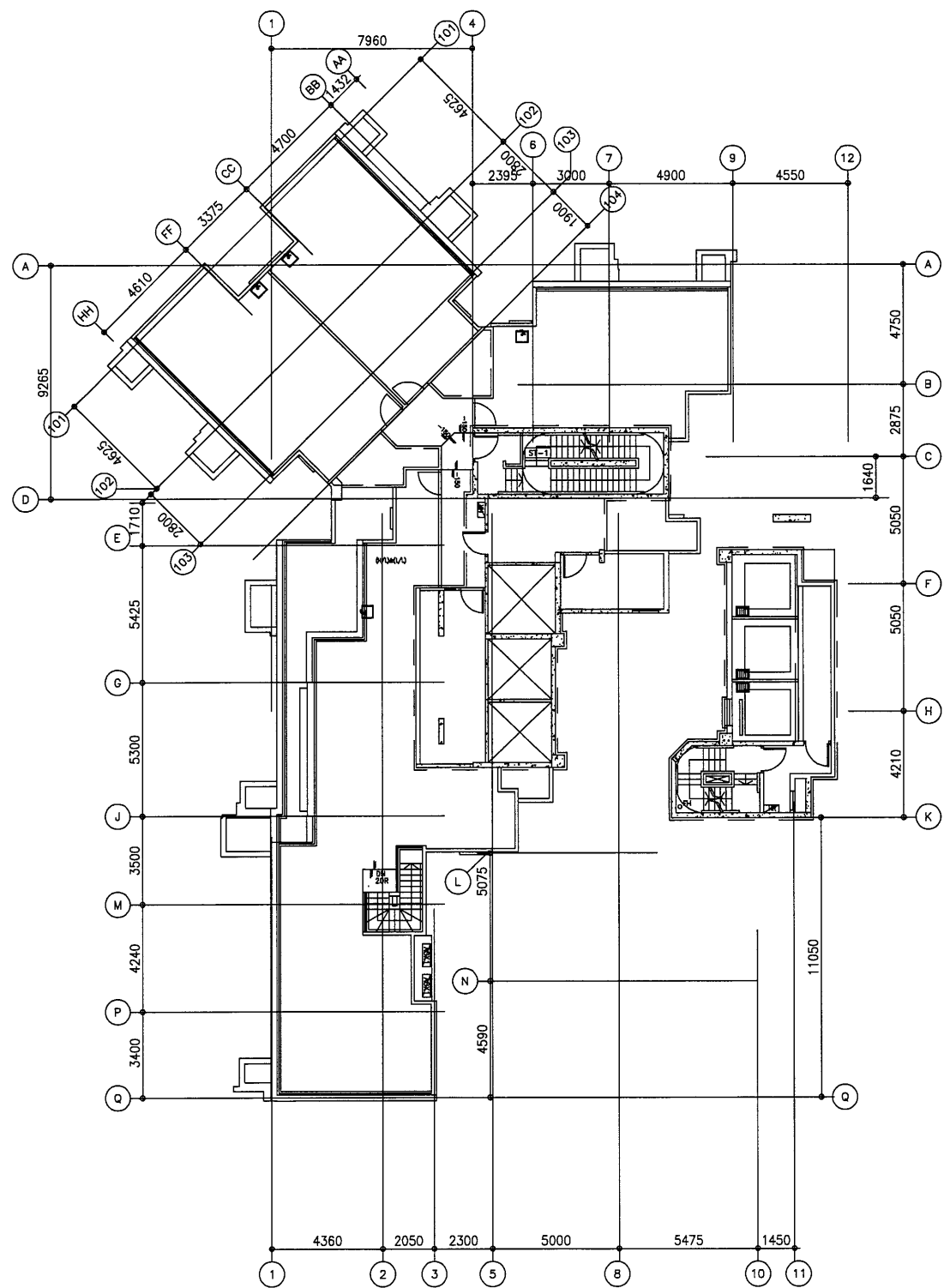
NO.	DATE	REVISED	BY

JOB NO. : J-837
 PROJECT :
 URA KWUN TONG TOWN CENTRE
 REDEVELOPMENT (AREA 2 & 3) AT
 NKIL 6514, KWUN TONG, KOWLOON

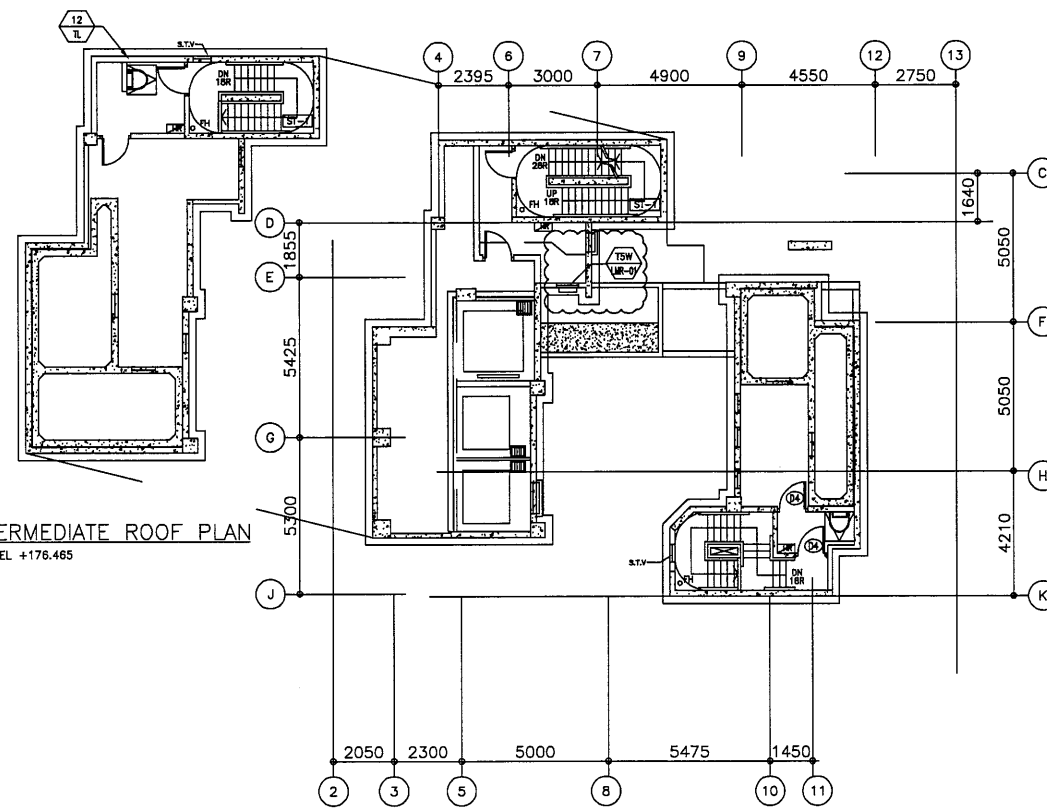
TITLE :
 FULL PLAN LAYOUT
 (FOR T3 ROOF PLAN)

DATE : 09-JUL-18 SCALE : 1:200
 DRAWN BY : Zeng CHECKED BY : DW

美特鋁質有限公司
 MIDI ALUMINIUM FABRICATOR LTD.
 Units 6-8, Sunray Industrial Centre, 1/F
 610 Cha Kwo Ling Road, Kowloon
 Tel:23489211-4 Fax:(852)2727666
 DWG NO. : J837-IW-3304 REV. : -



T5 - UPPER ROOF PLAN



T5 - LIFT MACHINE ROOM PLAN
AT LEVEL +173.315

T5 - INTERMEDIATE ROOF PLAN
AT LEVEL +176.465

B.D. REF :

CLIENT :

信和置業有限公司
Sino Land Company Limited

ARCHITECT :

WONG TUNG & PARTNERS LIMITED
ARCHITECTS & PLANNERS

MAIN CONTRACTOR :

CR Construction Company Limited

STRUCTURAL ENGINEER :

AECOM

FACADE CONSULTANT :

NOTE :

1. ALL DIMENSIONS ARE IN mm.
2. ALL ELEVATIONS ARE VIEWED FROM OUTSIDE.
3. ALL DIMENSIONS TO BE VERIFIED ON SITE BEFORE FABRICATION.

LEGEND :

- X1 --- DETAIL MARK NO.
X001 --- REFER SHEET NO.

1. F.F.L. --- FINISHED FLOOR LEVEL
2. S.F.L. --- STRUCTURAL FLOOR LEVEL
3. (R) --- REVERSED DETAIL

NO.	DATE	REVISED	BY

JOB NO. : J-837

PROJECT :
URA KWUN TONG TOWN CENTRE
REDEVELOPMENT (AREA 2 & 3) AT
NKIL 6514, KWUN TONG, KOWLOON

TITLE :

FULL PLAN LAYOUT
(FOR T5 ROOF PLAN)

DATE : 09-JUL-18

SCALE : 1:200

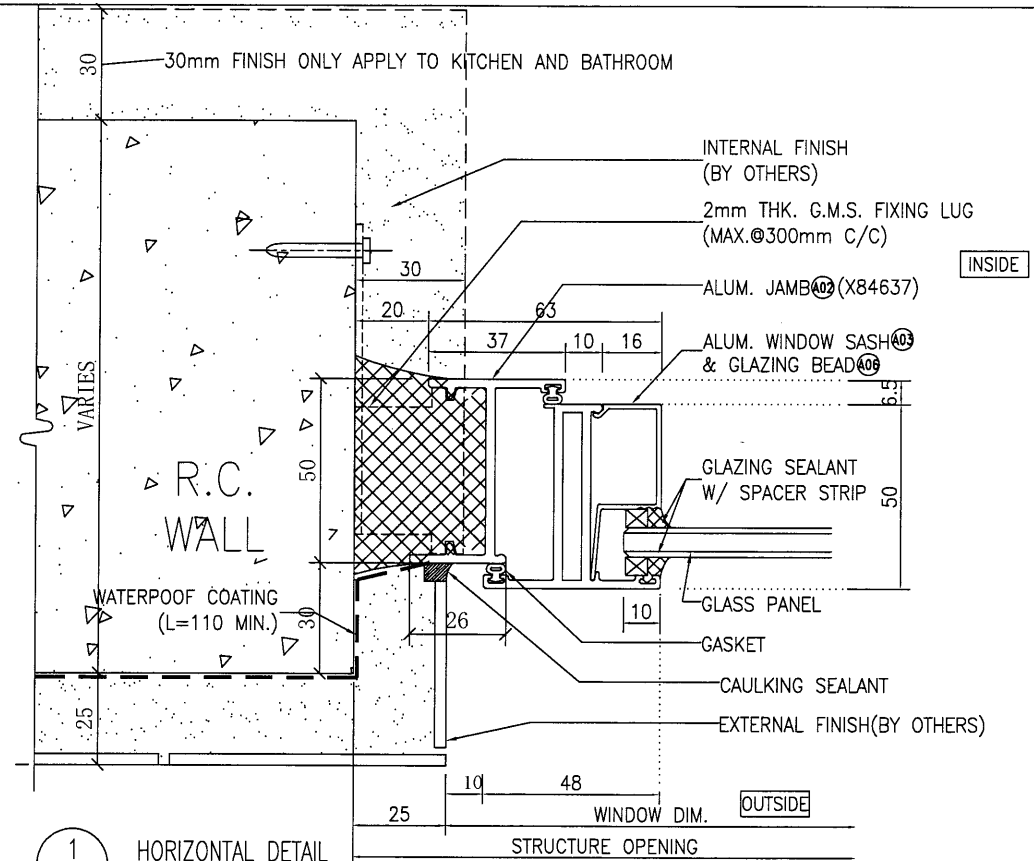
DRAWN BY : Zeng

CHECKED BY : DW

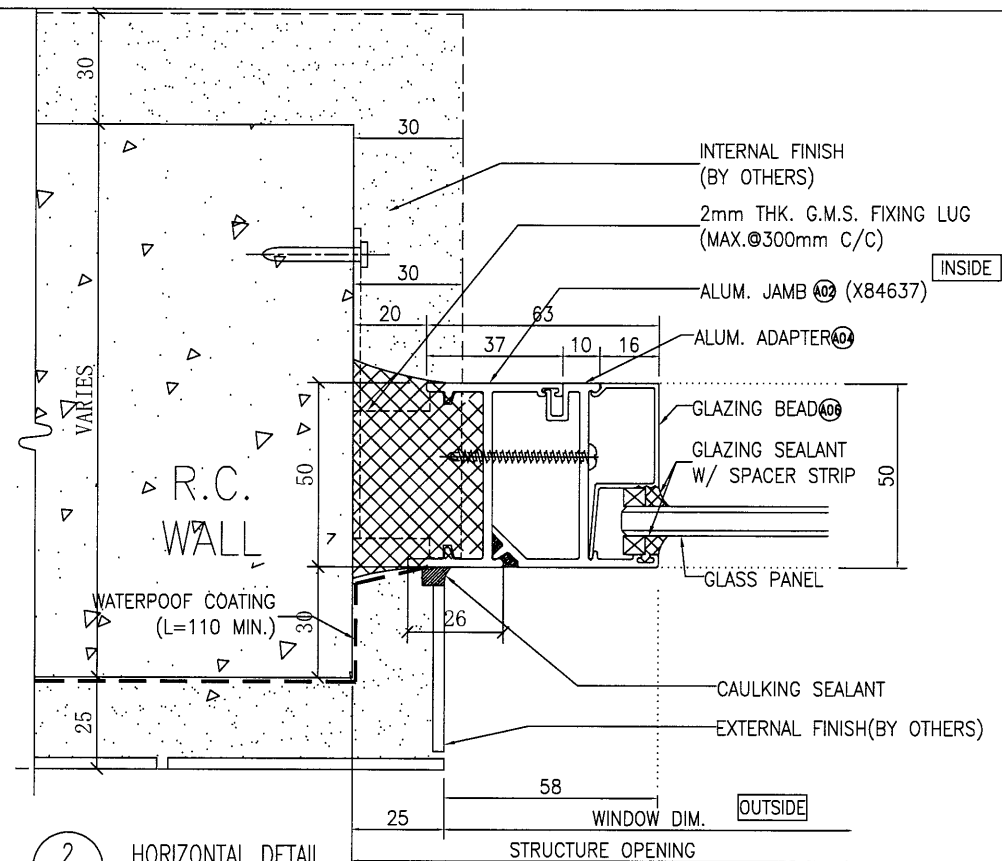
美特鋁質有限公司
MIDI ALUMINIUM FABRICATOR LTD.
Units 6-8, Sunray Industrial Centre, 1/F
610 Cha Kwo Ling Road, Kowloon
Tel: 23489211-4 Fax: (852) 27727666

DWG NO. : J837-IW-3505

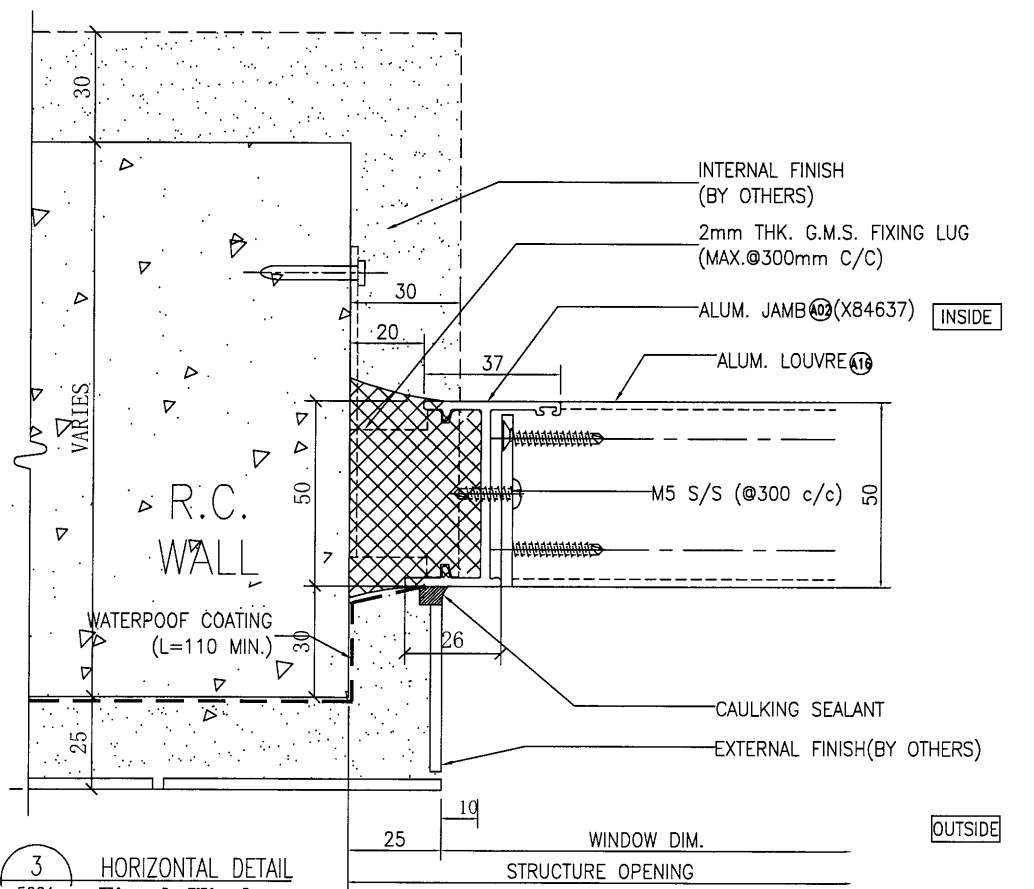
REV. : -



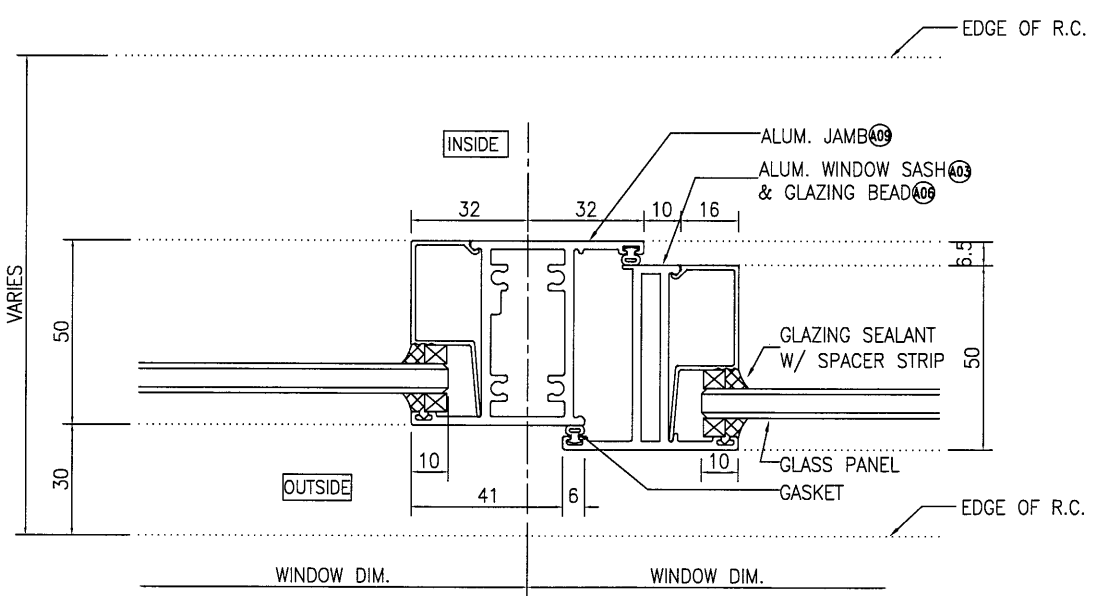
1 HORIZONTAL DETAIL
5001 Openable Window
tiles finish



2 HORIZONTAL DETAIL
5001 Fixed Window



3 HORIZONTAL DETAIL
5001 Fixed Window



4 HORIZONTAL DETAIL
5001 Mullion Of Fixed Window
And Openable Window

B.D. REF :

CLIENT :
信和置業有限公司
Sino Land Company Limited

ARCHITECT :
WONG TUNG & PARTNERS LIMITED
ARCHITECTS & PLANNERS

MAIN CONTRACTOR :
CR Construction Company Limited

STRUCTURAL ENGINEER :
AECOM

FAÇADE CONSULTANT :

NOTE :
1. ALL DIMENSIONS ARE IN mm.
2. ALL ELEVATIONS ARE VIEWED FROM OUTSIDE.
3. ALL DIMENSIONS TO BE VERIFIED ON SITE BEFORE FABRICATION.

LEGEND :
X1 - DETAIL MARK NO.
X001 - REFER SHEET NO.
1. F.F.L. --- FINISHED FLOOR LEVEL
2. S.F.L. --- STRUCTURAL FLOOR LEVEL
3. (R) --- REVERSED DETAIL

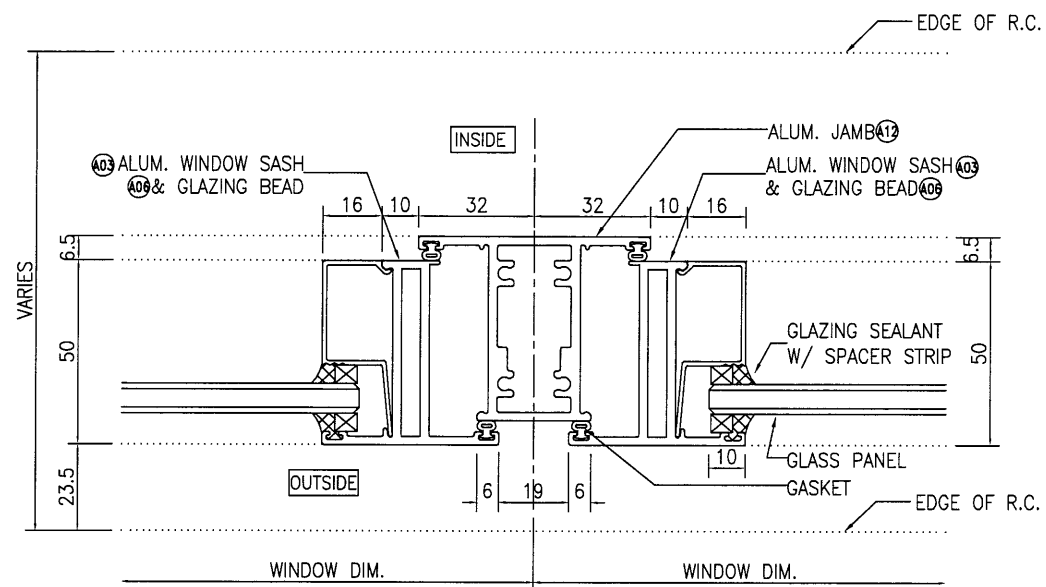
A	2018/11/2	BY ARCHITECT COMMENT	Zeng
NO.	DATE	REVISED	BY

JOB NO. : J-837
PROJECT :
URA KWUN TONG TOWN CENTRE
REDEVELOPMENT (AREA 2 & 3) AT
NKIL 6514, KWUN TONG, KOWLOON

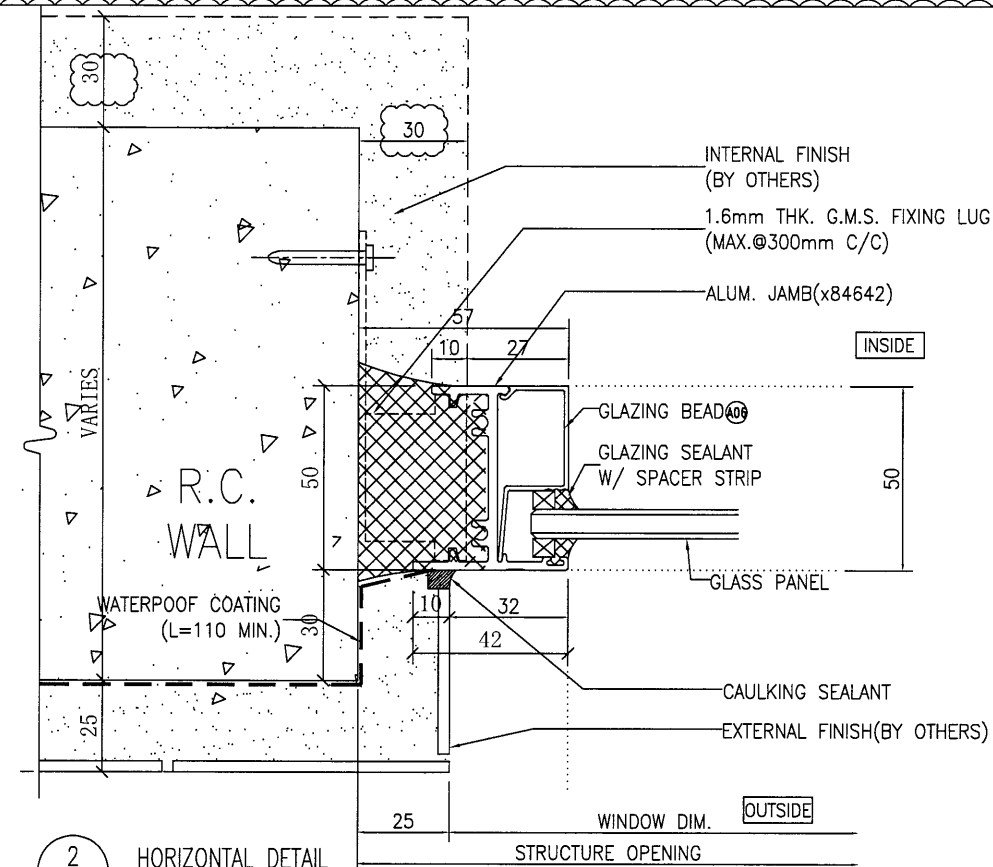
TITLE :
TYPICAL DETAIL FOR
IN-SITU ALUM. WINDOW

DATE : 09-JUL-18 SCALE : 1:2
DRAWN BY : Zeng CHECKED BY : DW

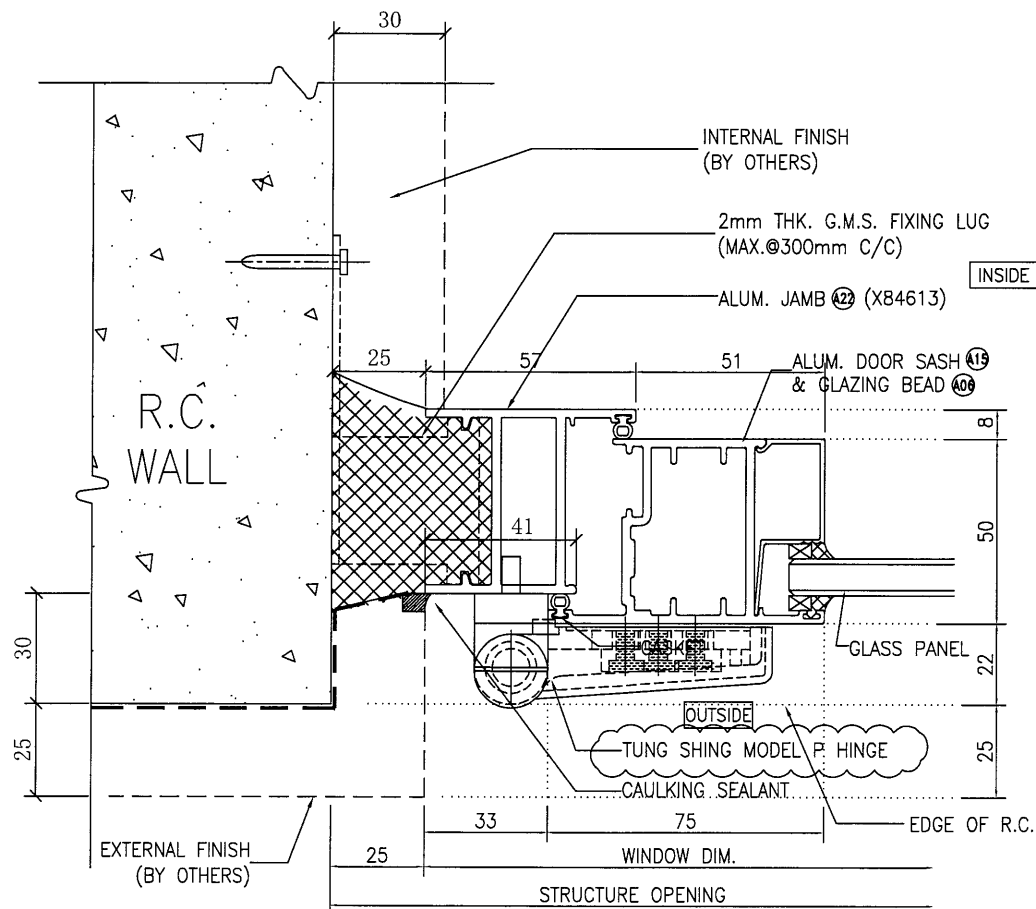
美特鋁質有限公司
MIDI ALUMINIUM FABRICATOR LTD.
Units 6-8, Sunray Industrial Centre, 1/F
610 Cha Kwo Ling Road, Kowloon
Tel: 23489211-4 Fax: (852) 2772666
DWG NO. : J837-IW-5001 REV. : A



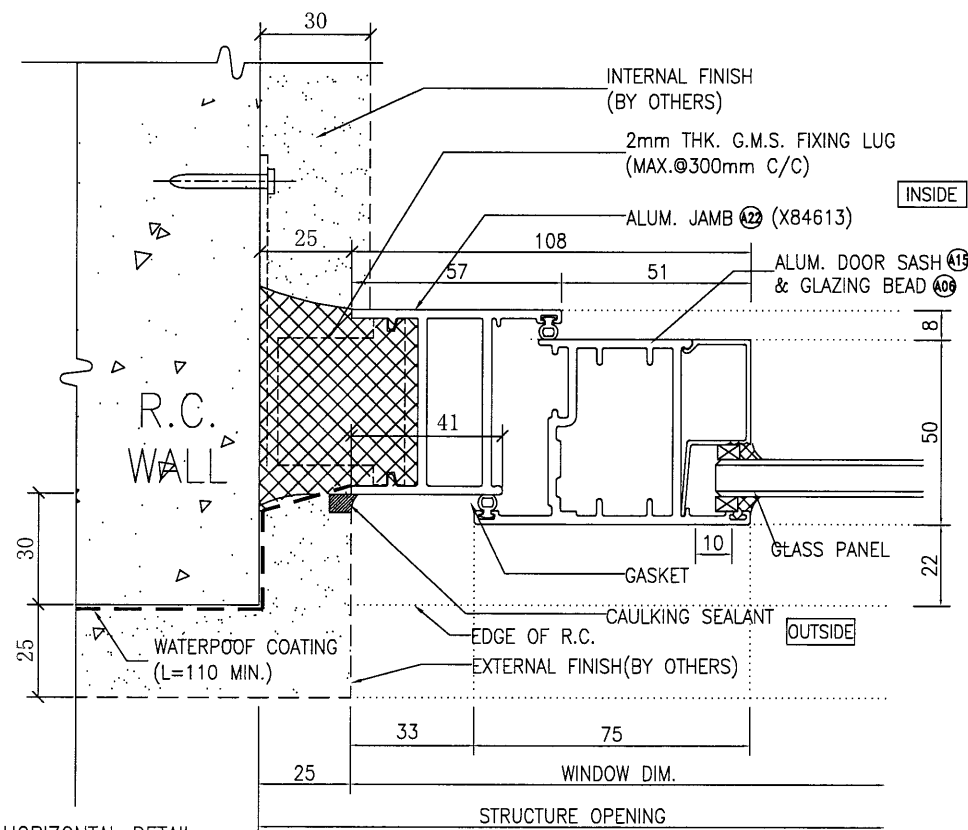
1 HORIZONTAL DETAIL
5002 Mullion Of Fixed Window
And Operable Window



2 HORIZONTAL DETAIL
5002 Fixed Window



3 HORIZONTAL DETAIL
5002 Operable Door



4 HORIZONTAL DETAIL
5002 Operable Door

B.D. REF :

CLIENT :

信和置業有限公司
Sino Land Company Limited

ARCHITECT :

WONG TUNG & PARTNERS LIMITED
ARCHITECTS & PLANNERS



MAIN CONTRACTOR :

CR Construction Company Limited

STRUCTURAL ENGINEER :

AECOM

FAÇADE CONSULTANT :

NOTE :

1. ALL DIMENSIONS ARE IN mm.
2. ALL ELEVATIONS ARE VIEWED FROM OUTSIDE.
3. ALL DIMENSIONS TO BE VERIFIED ON SITE BEFORE FABRICATION.

LEGEND :

- X1 --- DETAIL MARK NO.
X001 --- REFER SHEET NO.

1. F.F.L. --- FINISHED FLOOR LEVEL
2. S.F.L. --- STRUCTURAL FLOOR LEVEL
3. (R) --- REVERSED DETAIL

B	2019/6/3	BY ARCHITECT COMMENT	Zeng
A	2018/11/2	BY ARCHITECT COMMENT	Zeng
NO.	DATE	REVISED	BY

JOB NO. : J-837

PROJECT :
URA KWUN TONG TOWN CENTRE
REDEVELOPMENT (AREA 2 & 3) AT
NKIL 6514, KWUN TONG, KOWLOON

TITLE :

TYPICAL DETAIL FOR
IN-SITU ALUM. WINDOW

DATE : 09-JUL-18

SCALE : 1:2

DRAWN BY : Zeng

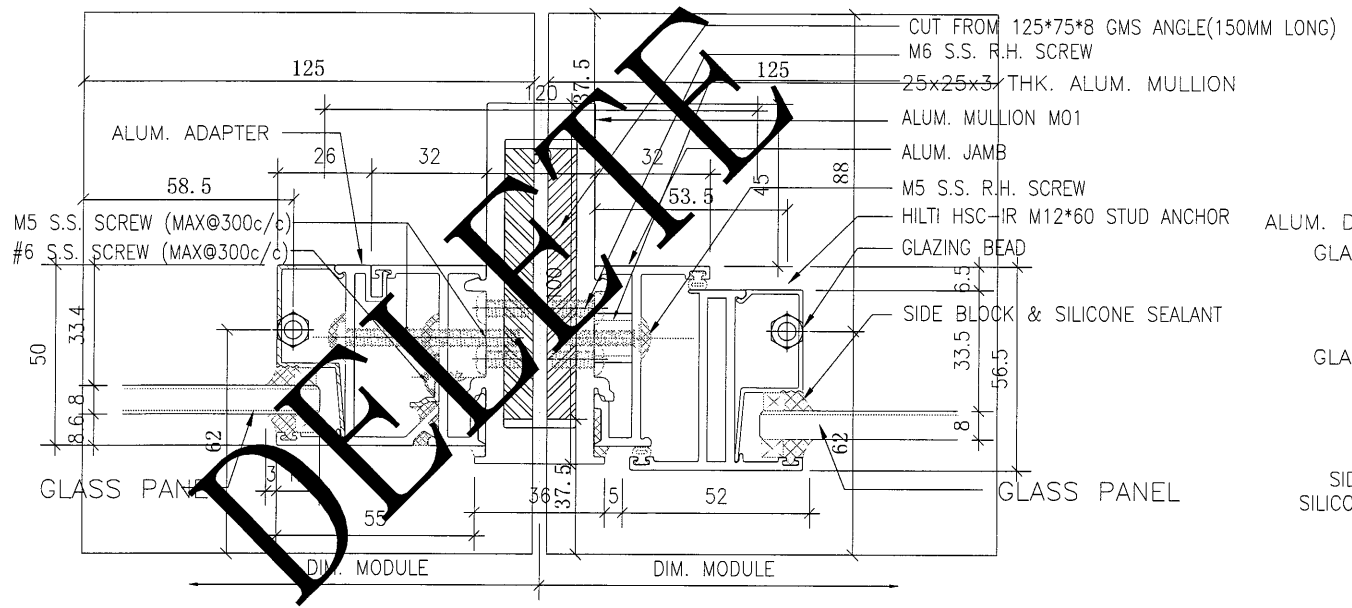
CHECKED BY : DW

美特鋁質有限公司
MIDI ALUMINIUM FABRICATOR LTD.
Units 6-8, Sunray Industrial Centre, 1/F
610 Cha Kwo Ling Road, Kowloon
Tel: 23489211-4 Fax: (852) 2727666

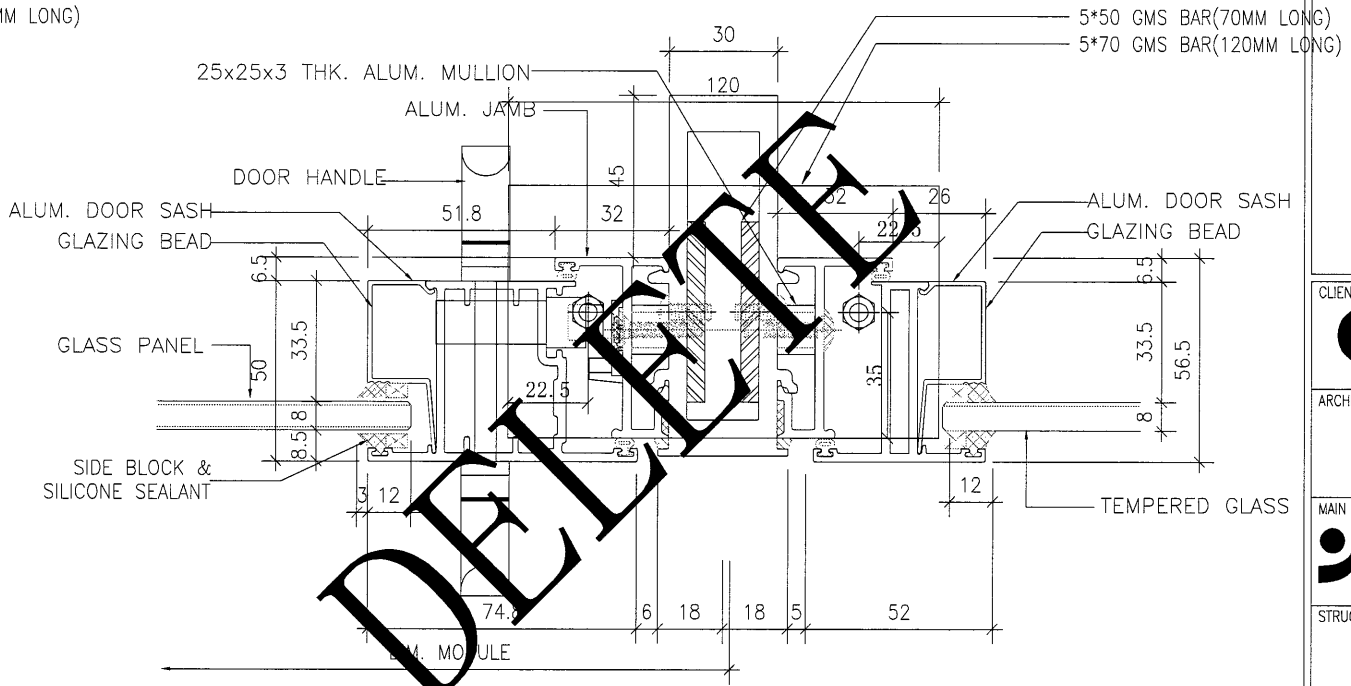
DWG NO. : J837-IW-5002

REV. : B

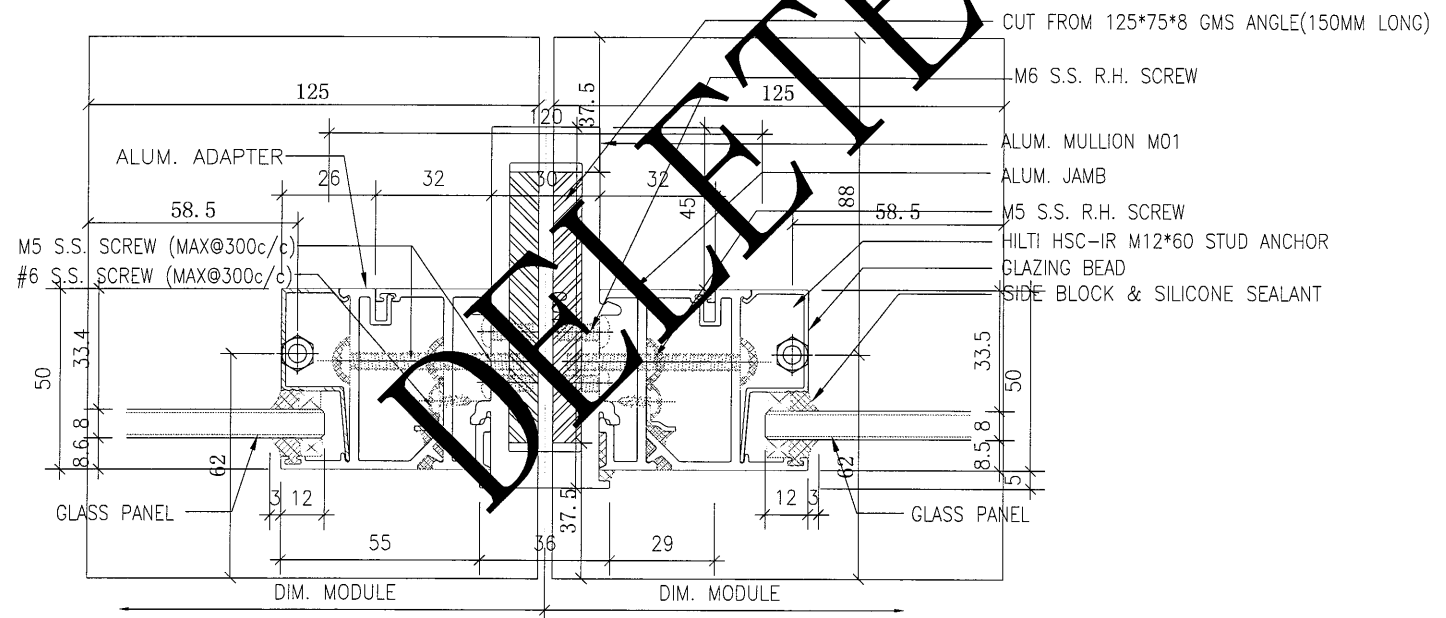
V/1



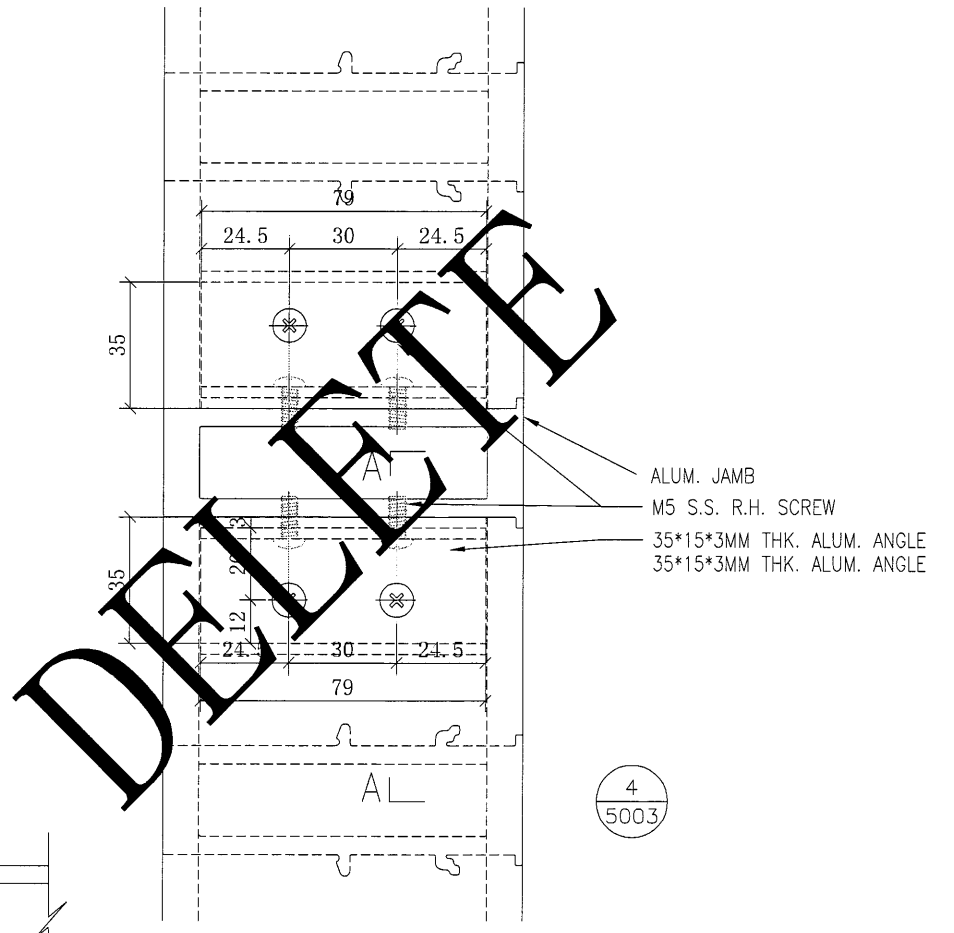
1 HORIZONTAL DETAIL 5003



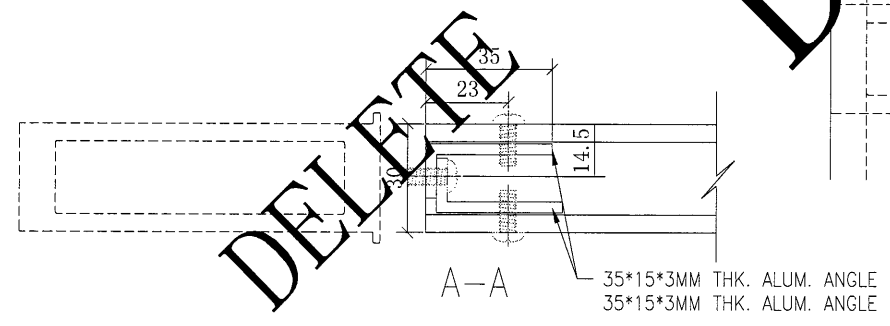
2 HORIZONTAL DETAIL 5003



3 HORIZONTAL DETAIL 5003 (FIXED PANEL)



4 5003



B.D. REF :

CLIENT : 信和置業有限公司 Sino Land Company Limited

ARCHITECT : WONG TUNG & PARTNERS LIMITED ARCHITECTS & PLANNERS

MAIN CONTRACTOR : CR Construction Company Limited

STRUCTURAL ENGINEER : ACOM

FACADE CONSULTANT:

NOTE : 1. ALL DIMENSIONS ARE IN mm. 2. ALL ELEVATIONS ARE VIEWED FROM OUTSIDE. 3. ALL DIMENSIONS TO BE VERIFIED ON SITE BEFORE FABRICATION.

LEGEND : X1 - DETAIL MARK NO. X001 - REFER SHEET NO. 1. F.F.L. - FINISHED FLOOR LEVEL 2. S.F.L. - STRUCTURAL FLOOR LEVEL 3. (R) - REVERSED DETAIL

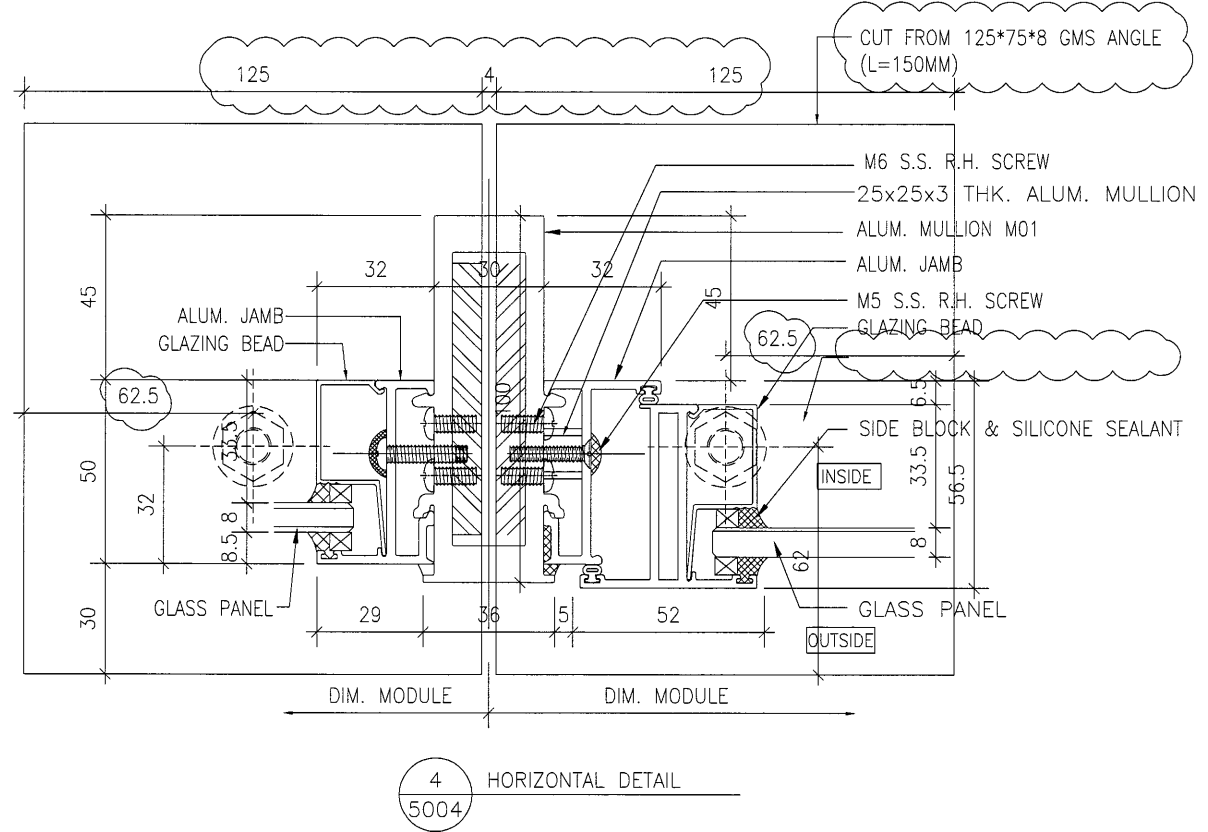
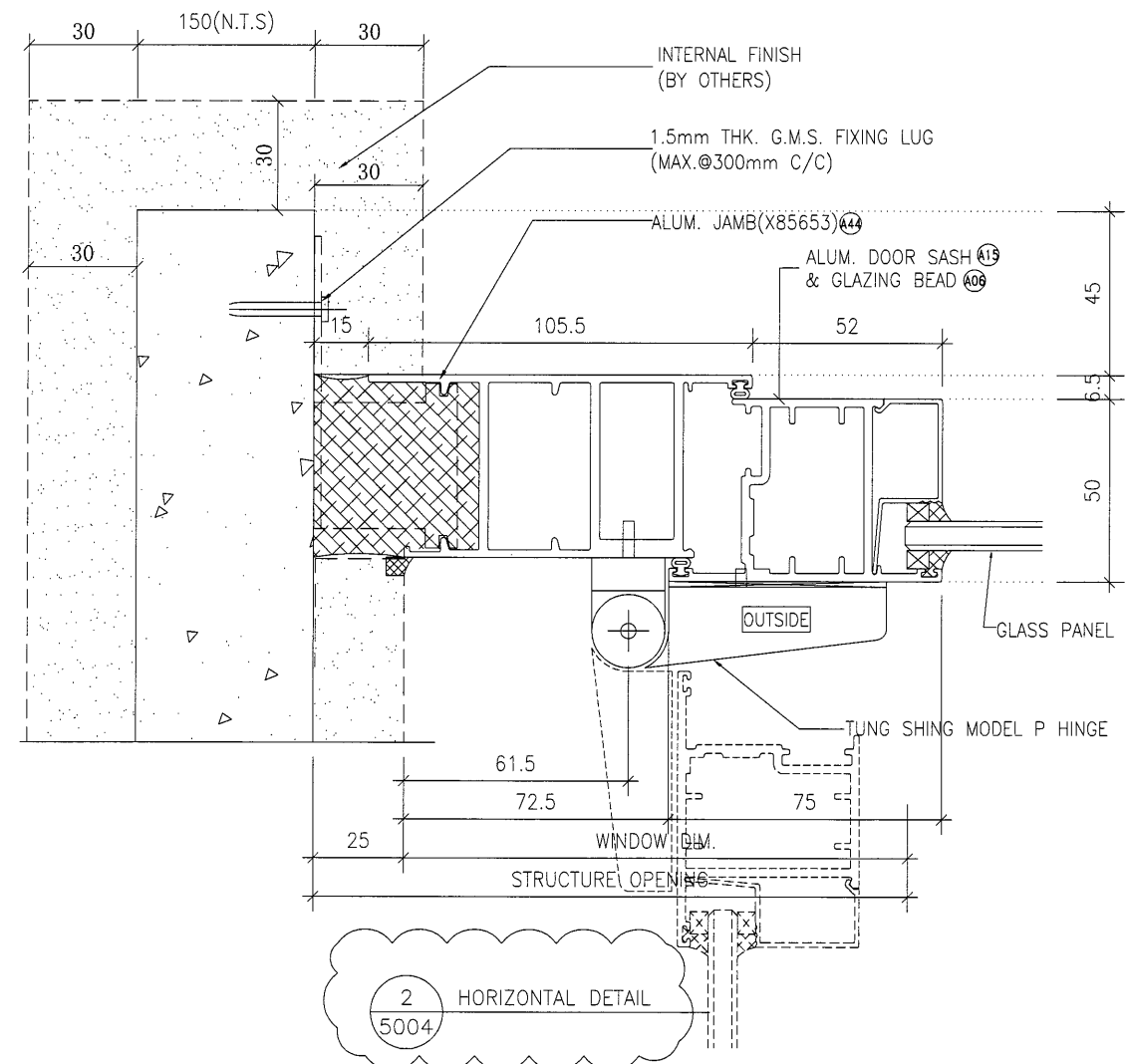
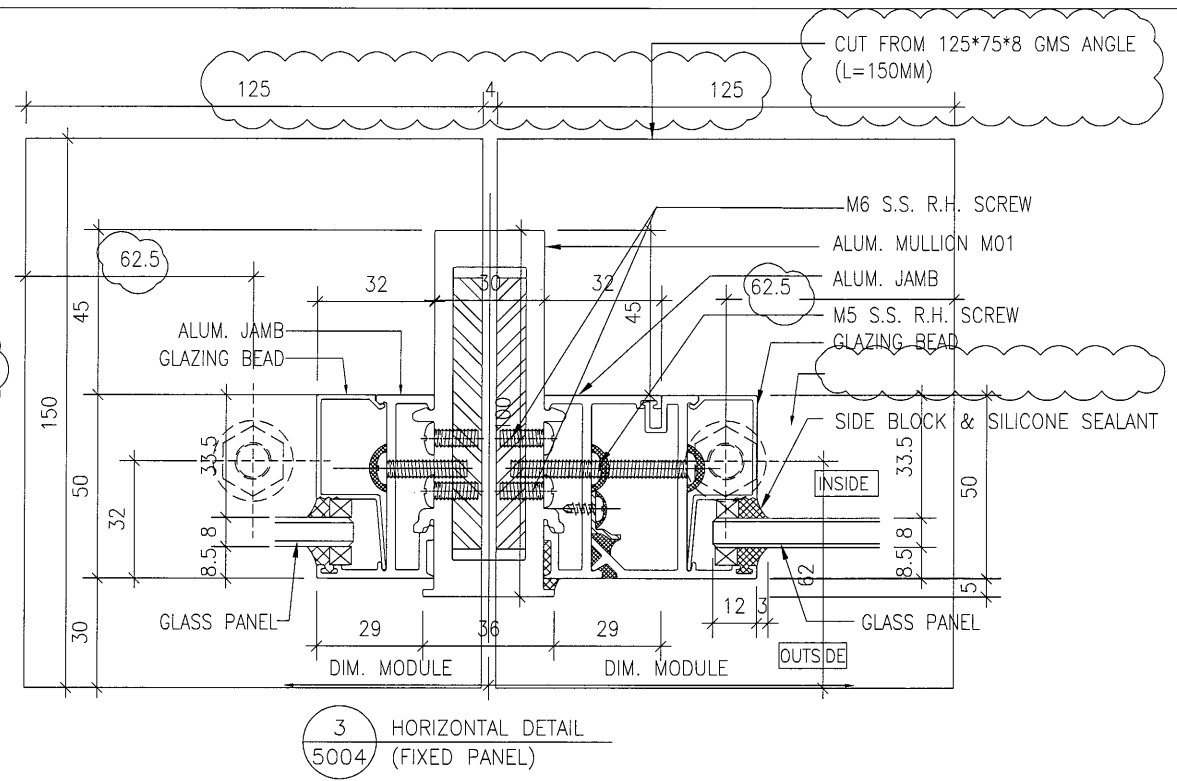
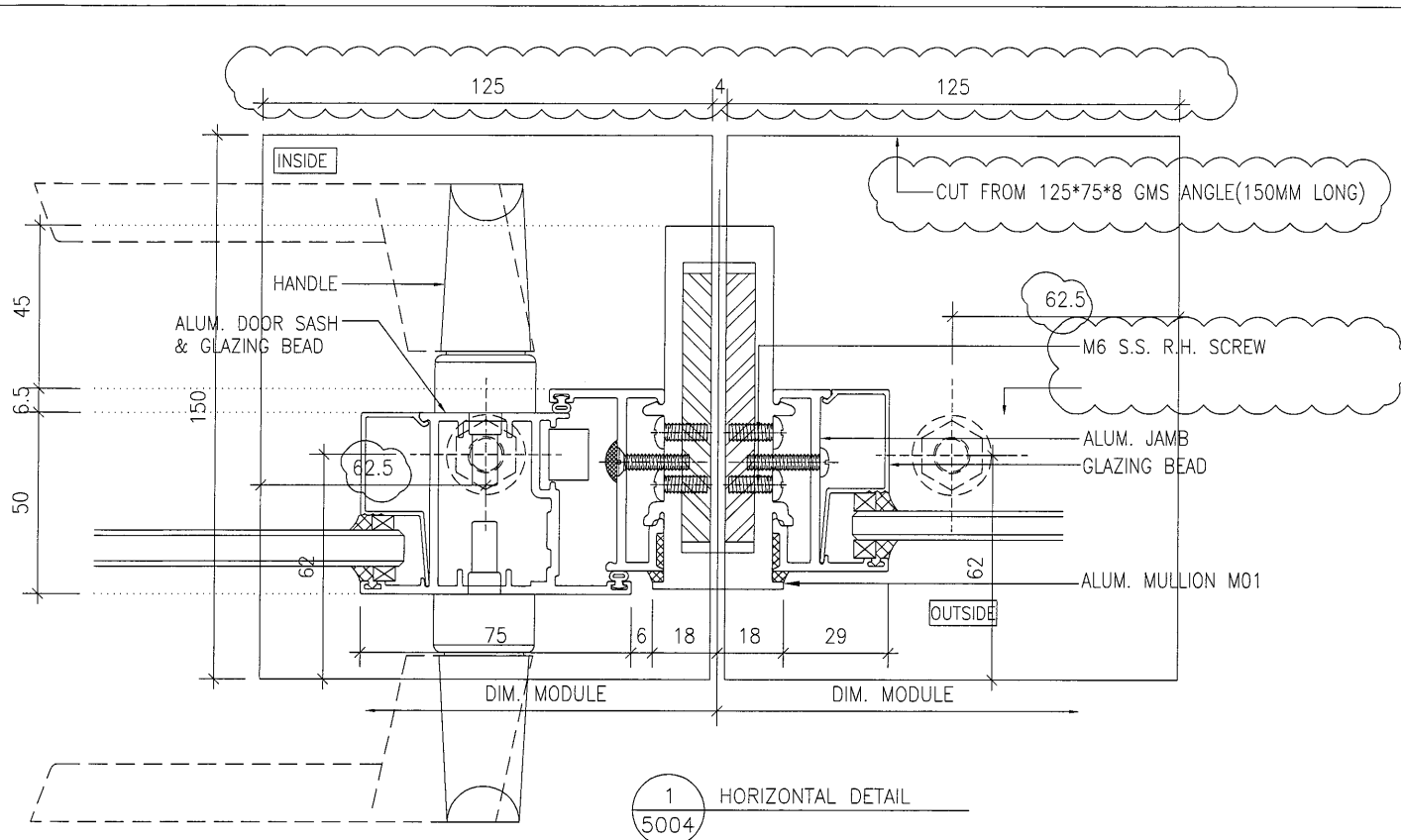
NO.	DATE	REVISED	BY

JOB NO. : J-837
PROJECT : URA KWUN TONG TOWN CENTRE REDEVELOPMENT (AREA 2 & 3) AT NKIL 6514, KWUN TONG, KOWLOON

TITLE : TYPICAL DETAIL FOR IN-SITU ALUM. WINDOW

DATE : 09-JUL-18 SCALE : 1:#
DRAWN BY : Zeng CHECKED BY : DW

MIDI 英特鋁質有限公司
MIDI ALUMINIUM FABRICATOR LTD.
Units 6-8, Sunray Industrial Centre, 1/F
610 Cha Kwo Ling Road, Kowloon
Tel:23489211-4 Fax:(852)2727666
DWG NO. : JB37- IW-5003 REV. : -



B.D. REF :

CLIENT :
信和置業有限公司
Sino Land Company Limited

ARCHITECT :
WONG TUNG & PARTNERS LIMITED
ARCHITECTS & PLANNERS

MAIN CONTRACTOR :
CR Construction Company Limited

STRUCTURAL ENGINEER :
AECOM

FAÇADE CONSULTANT:

NOTE :
1. ALL DIMENSIONS ARE IN mm.
2. ALL ELEVATIONS ARE VIEWED FROM OUTSIDE.
3. ALL DIMENSIONS TO BE VERIFIED ON SITE BEFORE FABRICATION.

LEGEND :
X1 -- DETAIL MARK NO.
X001 -- REFER SHEET NO.
1. F.F.L. -- FINISHED FLOOR LEVEL
2. S.F.L. -- STRUCTURAL FLOOR LEVEL
3. (R) -- REVERSED DETAIL

B	2019/11/1	BY ARCHITECT COMMENT	Zeng
A	2019/6/21	BY ARCHITECT COMMENT	Zeng
NO.	DATE	REVISED	BY

JOB NO. : J-837
PROJECT :
URA KWUN TONG TOWN CENTRE
REDEVELOPMENT (AREA 2 & 3) AT
NKIL 6514, KWUN TONG, KOWLOON

TITLE :
TYPICAL DETAIL FOR
IN-SITU ALUM. WINDOW

DATE : 09-JUL-18 SCALE : 1:#

DRAWN BY : Zeng CHECKED BY : DW


美特鋁質有限公司
MIDI ALUMINIUM FABRICATOR LTD.
Units 6-8, Sunray Industrial Centre, 1/F
610 Cha Kwo Ling Road, Kowloon
Tel: 23489211-4 Fax: (852) 27727666

DWG NO. : JB37-1W-5004 REV. : B

B.D. REF :

CLIENT :
 信和置業有限公司
 Sino Land Company Limited

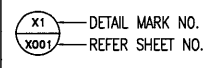
ARCHITECT :
 WONG TUNG & PARTNERS LIMITED
 ARCHITECTS & PLANNERS


MAIN CONTRACTOR :
 CR Construction Company Limited

STRUCTURAL ENGINEER :


FACADE CONSULTANT:

NOTE :
 1. ALL DIMENSIONS ARE IN mm.
 2. ALL ELEVATIONS ARE VIEWED FROM OUTSIDE.
 3. ALL DIMENSIONS TO BE VERIFIED ON SITE BEFORE FABRICATION.

LEGEND :

 X1 --- DETAIL MARK NO.
 X001 --- REFER SHEET NO.
 1. F.F.L. --- FINISHED FLOOR LEVEL
 2. S.F.L. --- STRUCTURAL FLOOR LEVEL
 3. (R) --- REVERSED DETAIL

NO.	DATE	REVISED	BY

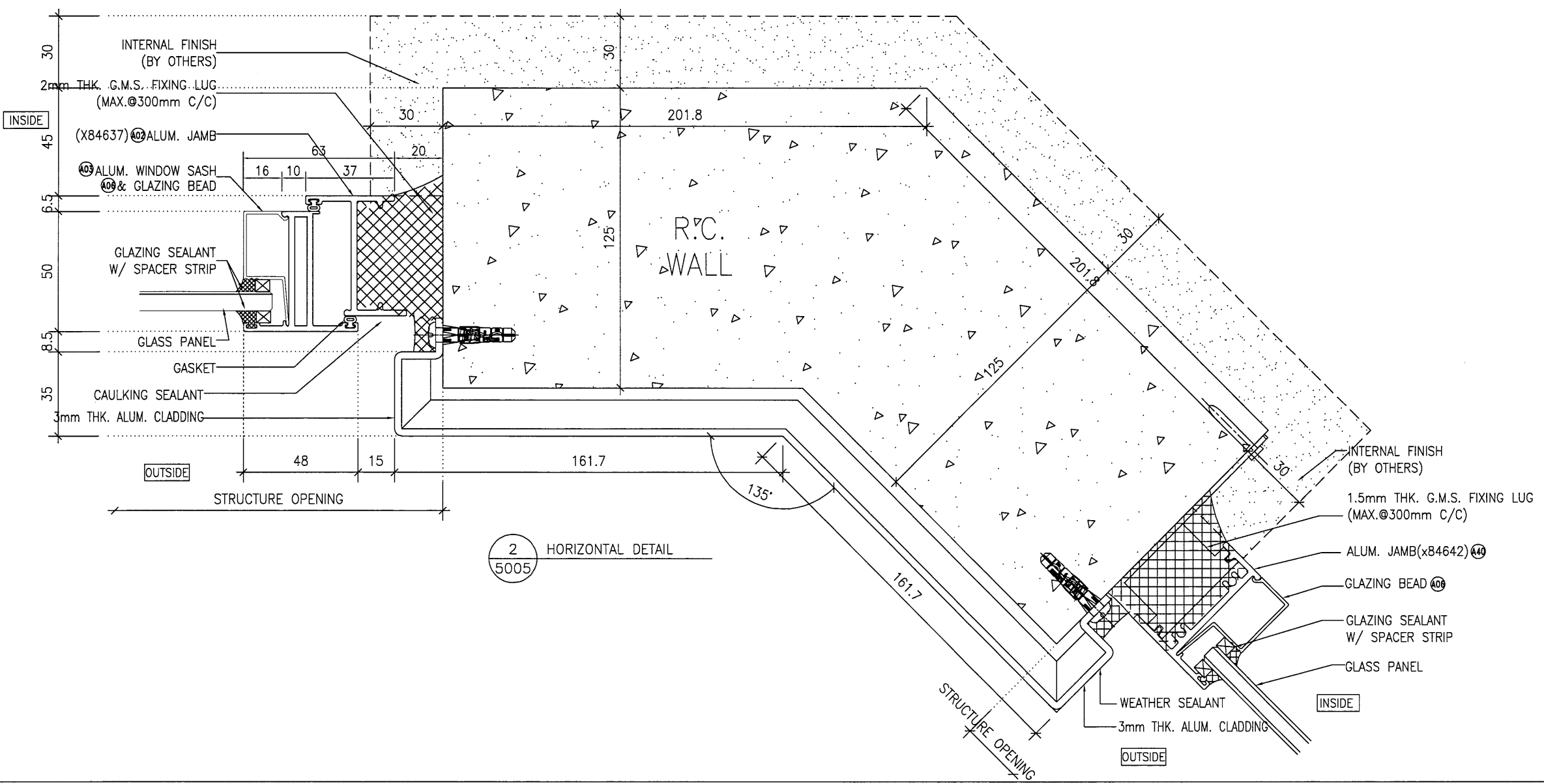
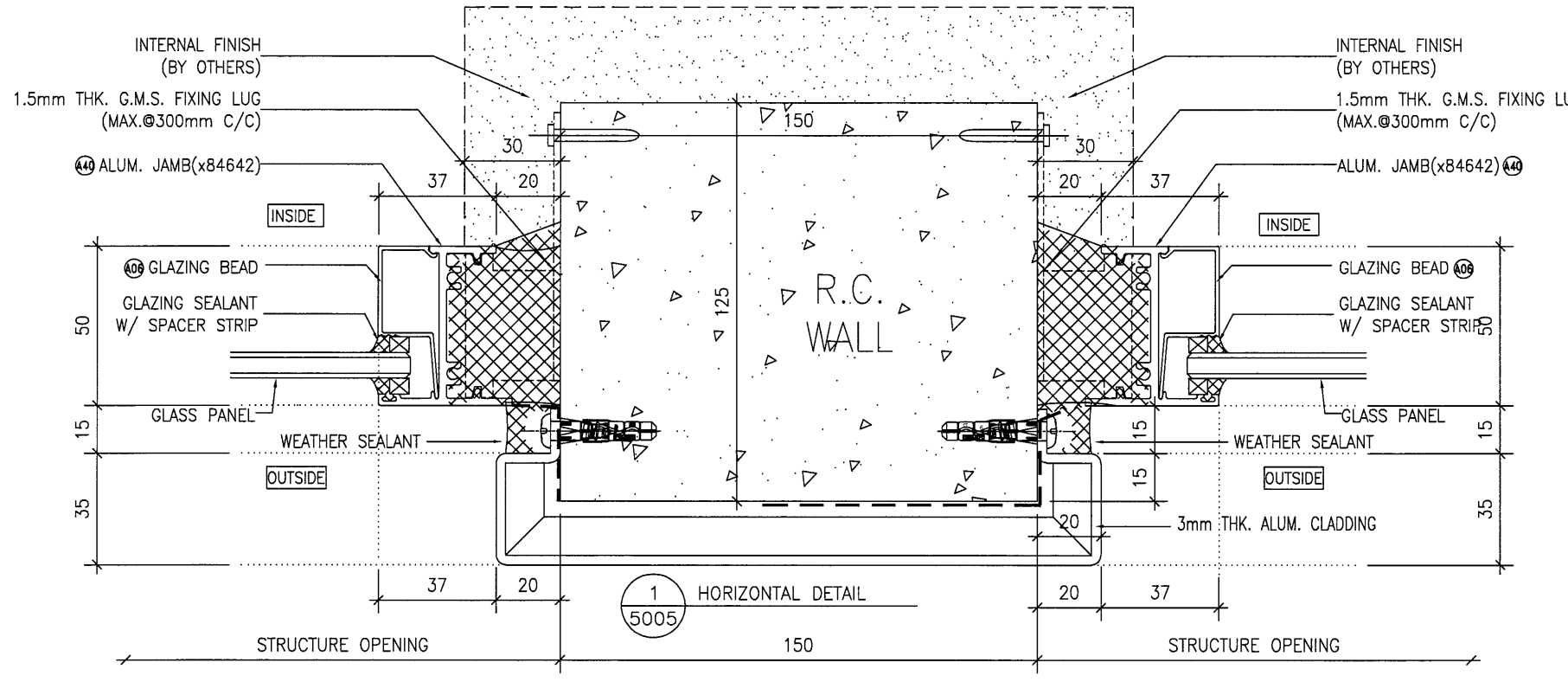
JOB NO. : J-837
 PROJECT :
 URA KWUN TONG TOWN CENTRE
 REDEVELOPMENT (AREA 2 & 3) AT
 NKIL 6514, KWUN TONG, KOWLOON

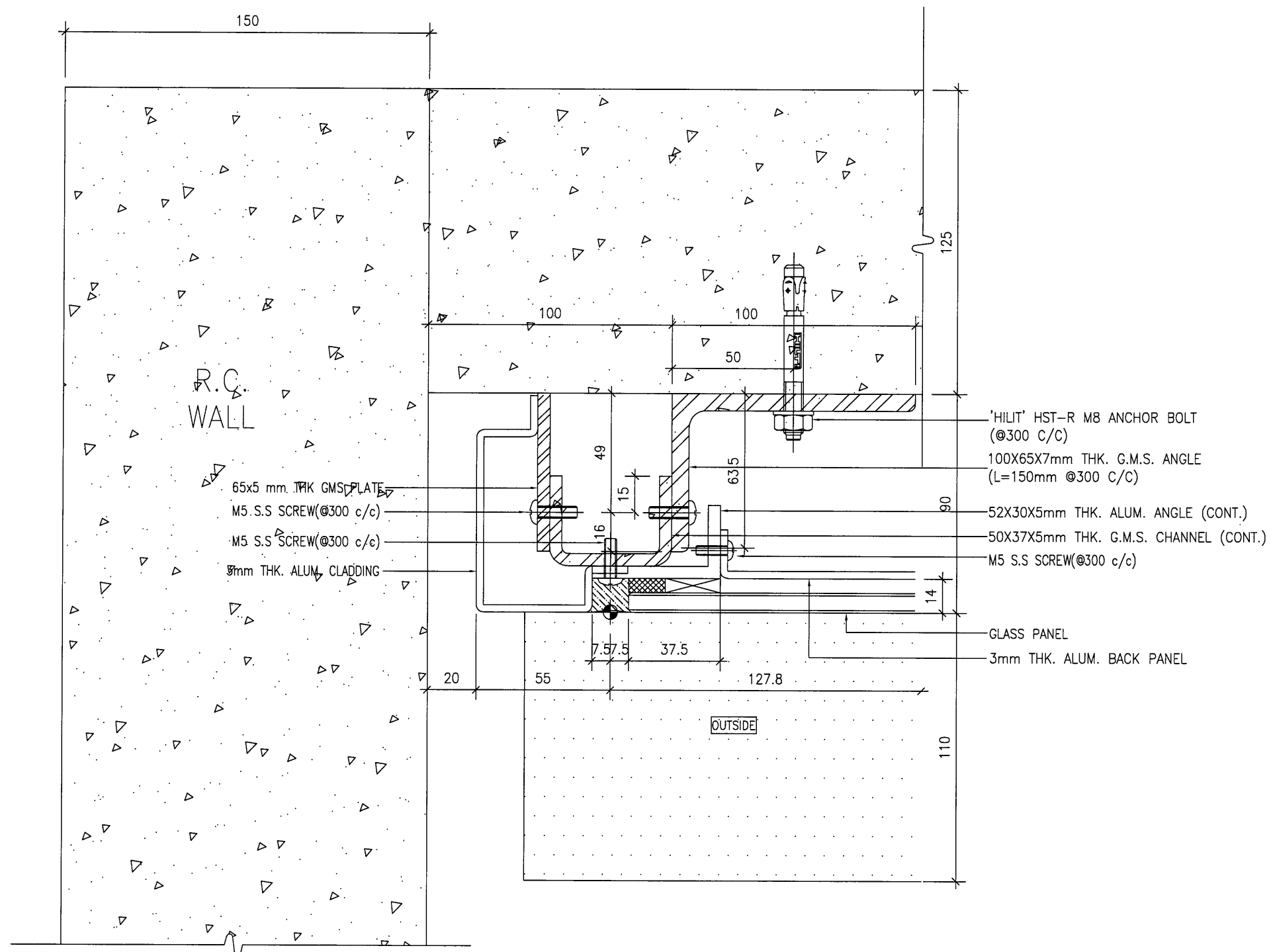
TITLE :
 TYPICAL DETAIL FOR
 IN-SITU ALUM. WINDOW

DATE : 09-JUL-18 SCALE : 1:#
 DRAWN BY : Zeng CHECKED BY : DW

 美特鋁質有限公司
 MIDI ALUMINIUM FABRICATOR LTD.
 Units 6-8, Sunray Industrial Centre, 1/F
 610 Cha Kwo Ling Road, Kowloon
 Tel: 23489211-4 Fax: (852) 27727666

DWG NO. : J837-IW-5005 REV. : -






1 HORIZONTAL DETAIL
5006

B.D. REF :

CLIENT :
 信和置業有限公司
 Sino Land Company Limited

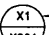

ARCHITECT :
 WONG TUNG & PARTNERS LIMITED
 ARCHITECTS & PLANNERS


MAIN CONTRACTOR :
 CR Construction Company Limited

STRUCTURAL ENGINEER :


FACADE CONSULTANT:

NOTE :
 1. ALL DIMENSIONS ARE IN mm.
 2. ALL ELEVATIONS ARE VIEWED FROM OUTSIDE.
 3. ALL DIMENSIONS TO BE VERIFIED ON SITE BEFORE FABRICATION.


LEGEND :
 X1 -- DETAIL MARK NO.
 X001 -- REFER SHEET NO.
 1. F.F.L. -- FINISHED FLOOR LEVEL
 2. S.F.L. -- STRUCTURAL FLOOR LEVEL
 3. (R) -- REVERSED DETAIL

NO.	DATE	REVISED	BY

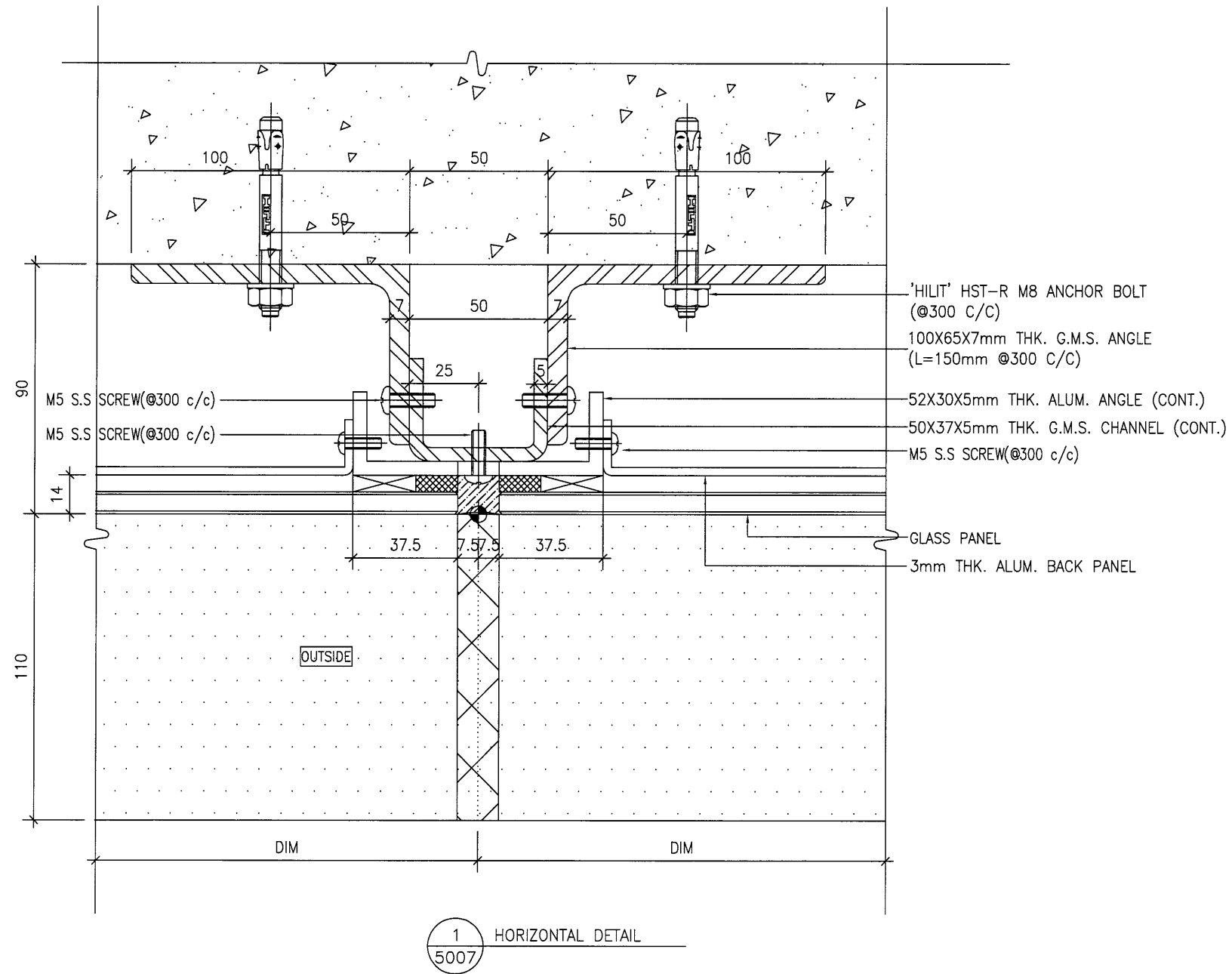
JOB NO. : J-837
 PROJECT :
 URA KWUN TONG TOWN CENTRE
 REDEVELOPMENT (AREA 2 & 3) AT
 NKIL 6514, KWUN TONG, KOWLOON

TITLE :
 TYPICAL DETAIL FOR
 IN-SITU ALUM. WINDOW

DATE : 09-JUL-18 SCALE : 1:#
 DRAWN BY : Zeng CHECKED BY : DW

 美特鋁質有限公司
 MIDI ALUMINUM FABRICATOR LTD.
 Units 6-8, Sunray Industrial Centre, 1/F
 610 Cha Kwo Ling Road, Kowloon
 Tel: 23489211-4 Fax: (852) 2727666

DWG NO. : J837-IW-5006 REV. : -



B.D. REF :

CLIENT :
 信和置業有限公司
 Sino Land Company Limited

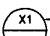

ARCHITECT :
 WONG TUNG & PARTNERS LIMITED
 ARCHITECTS & PLANNERS


MAIN CONTRACTOR :
 CR Construction Company Limited

STRUCTURAL ENGINEER :


FACADE CONSULTANT:

NOTE :
 1. ALL DIMENSIONS ARE IN mm.
 2. ALL ELEVATIONS ARE VIEWED FROM OUTSIDE.
 3. ALL DIMENSIONS TO BE VERIFIED ON SITE BEFORE FABRICATION.

LEGEND :
 -- DETAIL MARK NO.
 -- REFER SHEET NO.
 1. F.F.L. -- FINISHED FLOOR LEVEL
 2. S.F.L. -- STRUCTURAL FLOOR LEVEL
 3. (R) -- REVERSED DETAIL

NO.	DATE	REVISED	BY

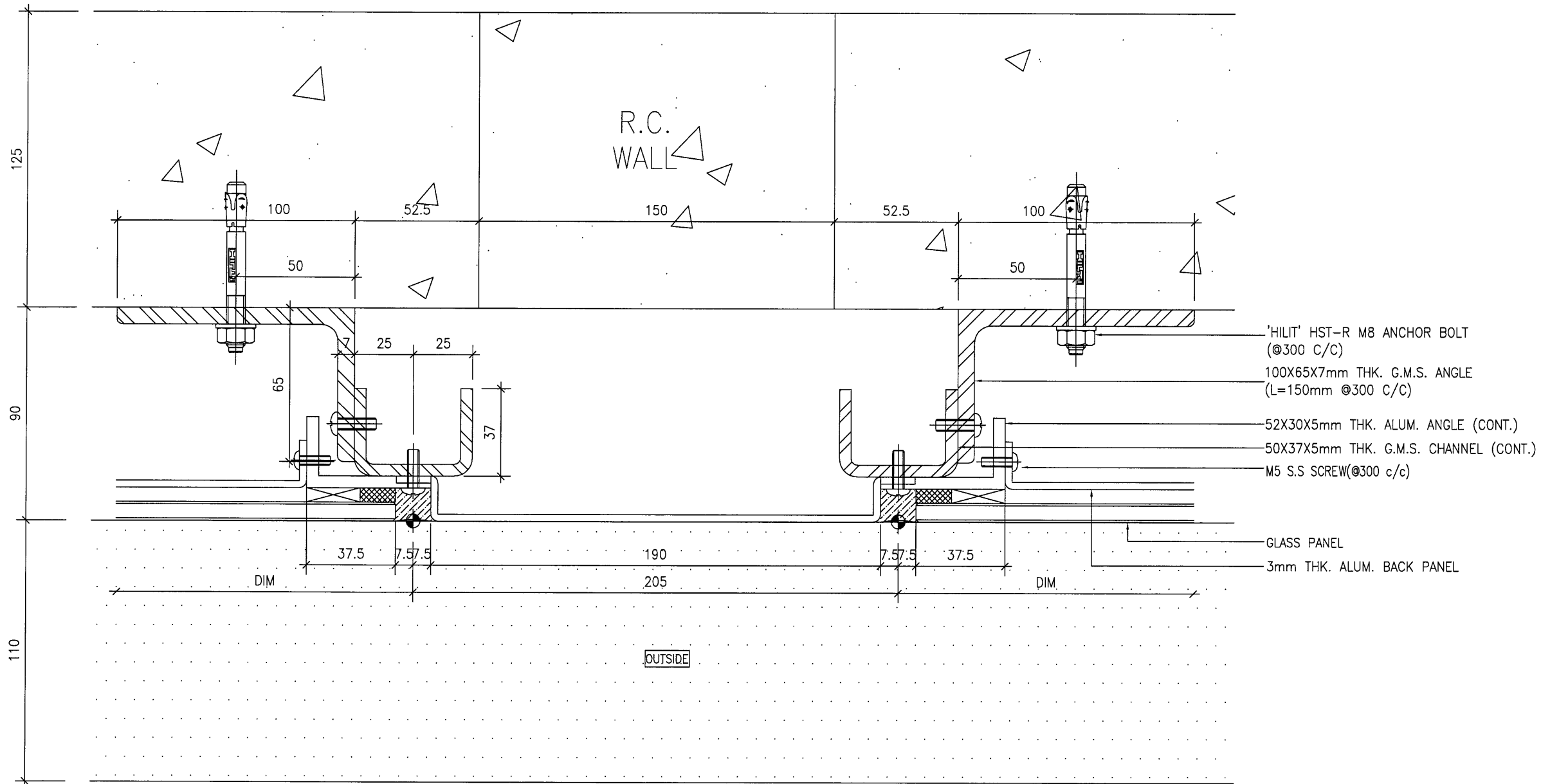
JOB NO. : J-837
 PROJECT :
 URA KWUN TONG TOWN CENTRE
 REDEVELOPMENT (AREA 2 & 3) AT
 NKIL 6514, KWUN TONG, KOWLOON

TITLE :
 TYPICAL DETAIL FOR
 IN-SITU ALUM. WINDOW

DATE : 09-JUL-18 SCALE : 1:#
 DRAWN BY : Zeng CHECKED BY : DW

 美特鋁質有限公司
 MIDI ALUMINIUM FABRICATOR LTD.
 Units 6-8, Sunray Industrial Centre, 1/F
 610 Cha Kwo Ling Road, Kowloon
 Tel: 23489211-4 Fax: (852) 27727666

DWG NO. : J837- IW-5007 REV. : -



1 HORIZONTAL DETAIL
5008

B.D. REF :

CLIENT :
 信和置業有限公司
 Sino Land Company Limited

ARCHITECT :
 WONG TUNG & PARTNERS LIMITED
 ARCHITECTS & PLANNERS

MAIN CONTRACTOR :
 CR Construction Company Limited

STRUCTURAL ENGINEER :

FACADE CONSULTANT :

NOTE :
 1. ALL DIMENSIONS ARE IN mm.
 2. ALL ELEVATIONS ARE VIEWED FROM OUTSIDE.
 3. ALL DIMENSIONS TO BE VERIFIED ON SITE BEFORE FABRICATION.

LEGEND :
 DETAIL MARK NO.
 REFER SHEET NO.
 1. F.F.L. --- FINISHED FLOOR LEVEL
 2. S.F.L. --- STRUCTURAL FLOOR LEVEL
 3. (R) --- REVERSED DETAIL

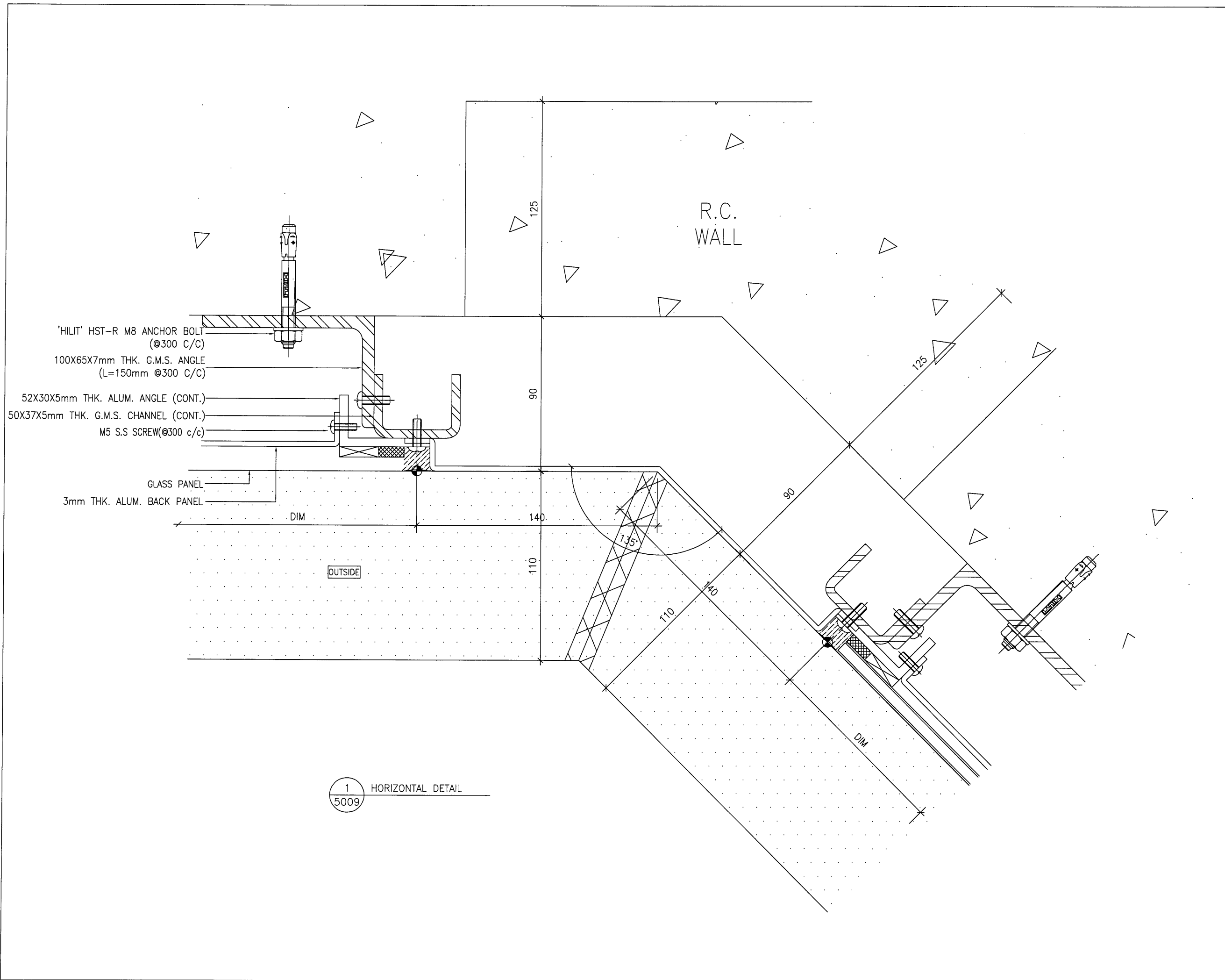
NO.	DATE	REVISED	BY
-----	------	---------	----

JOB NO. : J-837
 PROJECT :
 URA KWUN TONG TOWN CENTRE
 REDEVELOPMENT (AREA 2 & 3) AT
 NKIL 6514, KWUN TONG, KOWLOON

TITLE :
 TYPICAL DETAIL FOR
 IN-SITU ALUM. WINDOW

DATE : 09-JUL-18 SCALE : 1:#
 DRAWN BY : Zeng CHECKED BY : DW


美特鋁質有限公司
 MIDI ALUMINIUM FABRICATOR LTD.
 Units 6-8, Sunray Industrial Centre, 1/F
 610 Cha Kwo Ling Road, Kowloon
 Tel:23489211-4 Fax:(852)27727666
 DWG NO. : J837-IW-5008 REV. : -



B.D. REF :

CLIENT :
 信和置業有限公司
 Sino Land Company Limited

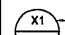

ARCHITECT :
 WONG TUNG & PARTNERS LIMITED
 ARCHITECTS & PLANNERS


MAIN CONTRACTOR :
 CR Construction Company Limited

STRUCTURAL ENGINEER :


FACADE CONSULTANT :

NOTE :
 1. ALL DIMENSIONS ARE IN mm.
 2. ALL ELEVATIONS ARE VIEWED FROM OUTSIDE.
 3. ALL DIMENSIONS TO BE VERIFIED ON SITE BEFORE FABRICATION.

LEGEND :
 X1 -- DETAIL MARK NO.
 X001 -- REFER SHEET NO.
 1. F.F.L. -- FINISHED FLOOR LEVEL
 2. S.F.L. -- STRUCTURAL FLOOR LEVEL
 3. (R) -- REVERSED DETAIL

NO.	DATE	REVISED	BY

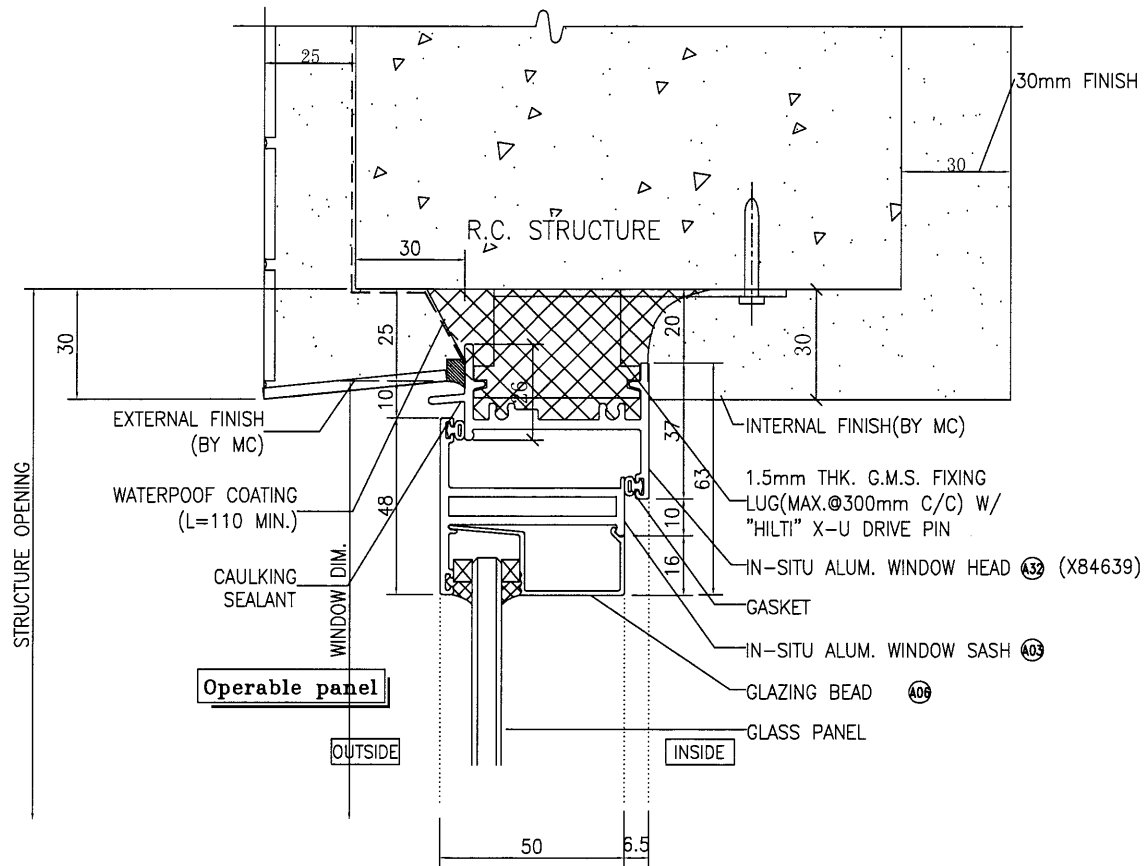
JOB NO. : J-837
 PROJECT :
 URA KWUN TONG TOWN CENTRE
 REDEVELOPMENT (AREA 2 & 3) AT
 NKIL 6514, KWUN TONG, KOWLOON

TITLE :
 TYPICAL DETAIL FOR
 IN-SITU ALUM. WINDOW

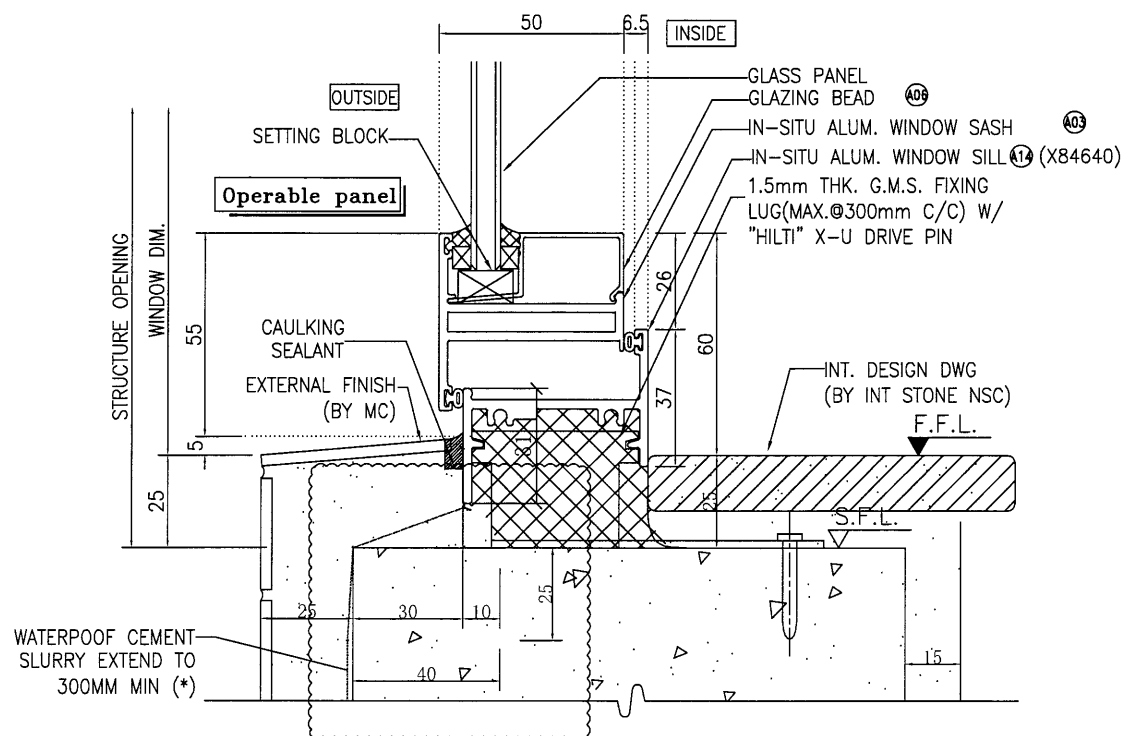
DATE : 09-JUL-18 SCALE : 1:#
 DRAWN BY : Zeng CHECKED BY : DW

 美特鋁質有限公司
 MIDI ALUMINIUM FABRICATOR LTD.
 Units 6-8, Sunray Industrial Centre, 1/F
 610 Cha Kwo Ling Road, Kowloon
 Tel: 23489211-4 Fax: (852) 2727666

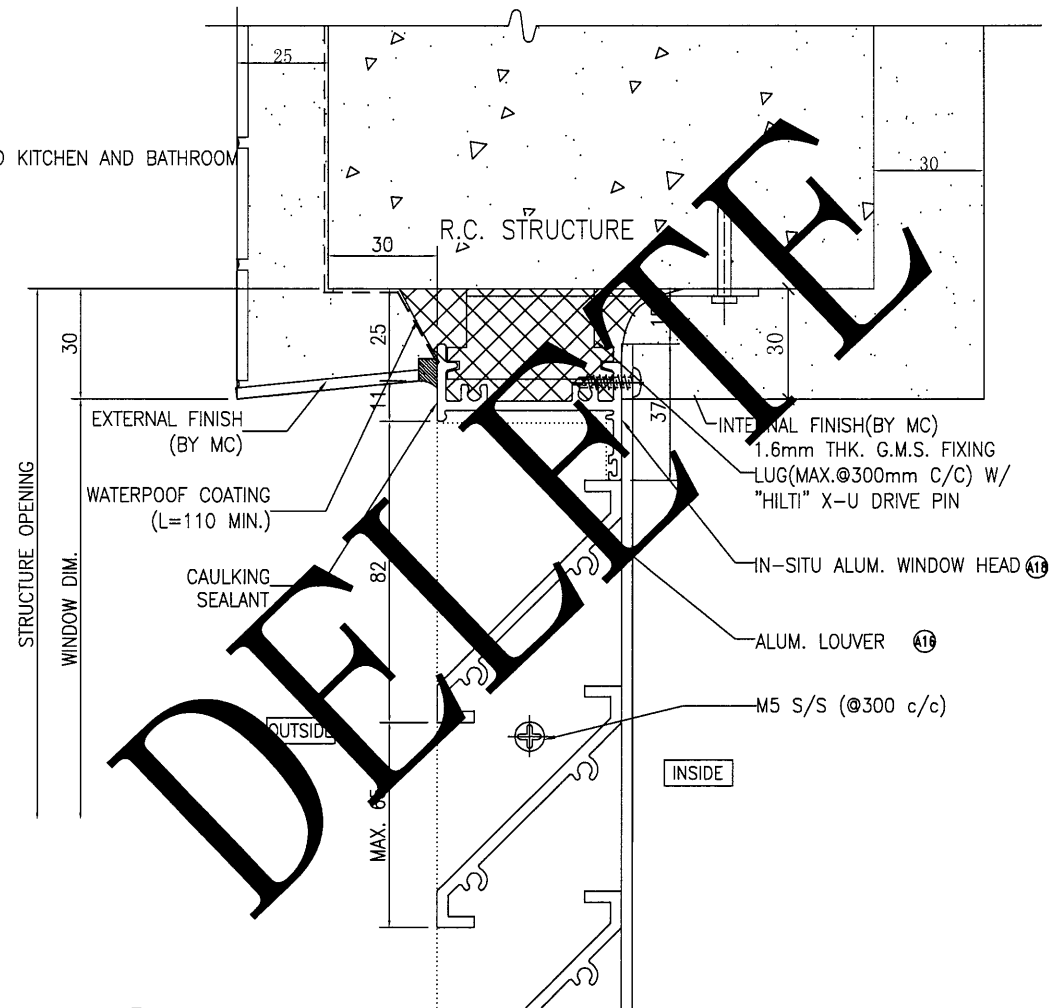
DWG NO. : J837-IW-5009 REV. : -



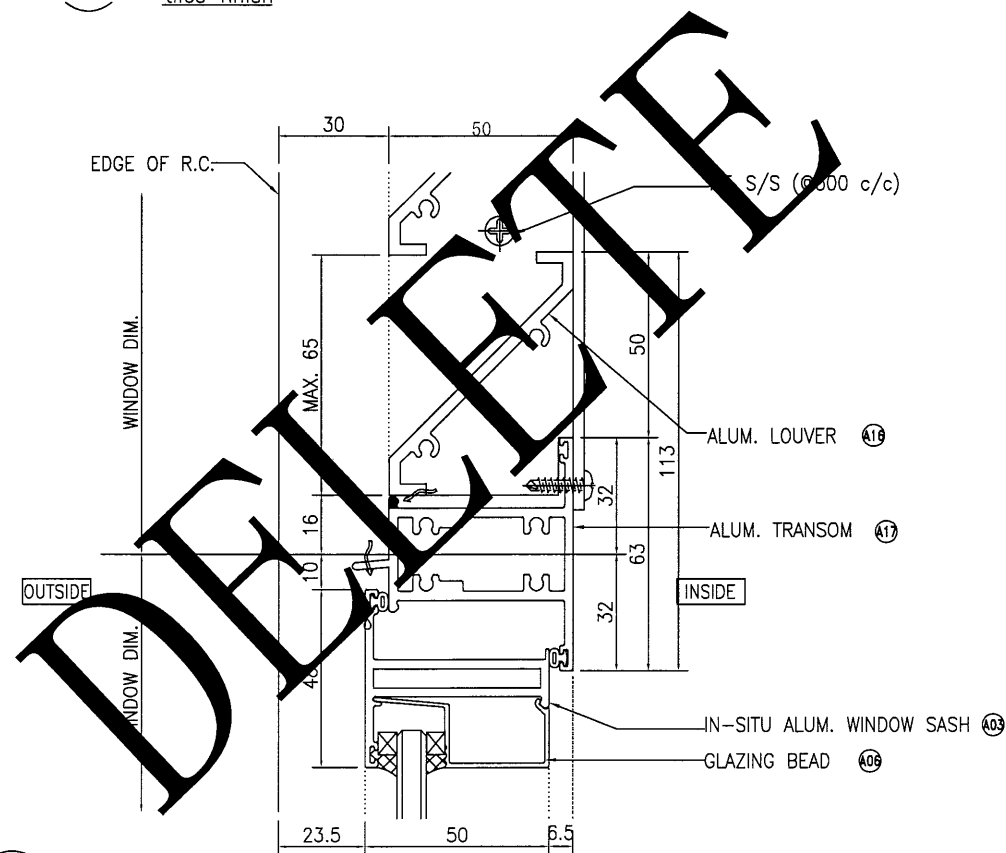
1 VERTICAL DETAIL
6001 tiles finish



2 VERTICAL DETAIL
6001 tiles finish



3 VERTICAL DETAIL
6001 tiles finish



4 VERTICAL DETAIL
6001 tiles finish

B.D. REF :

CLIENT :

信和置業有限公司
Sino Land Company Limited

ARCHITECT :

WONG TUNG & PARTNERS LIMITED
ARCHITECTS & PLANNERS

MAIN CONTRACTOR :

CR Construction Company Limited

STRUCTURAL ENGINEER :

AECOM

FACADE CONSULTANT :

NOTE :

1. ALL DIMENSIONS ARE IN mm.
2. ALL ELEVATIONS ARE VIEWED FROM OUTSIDE.
3. ALL DIMENSIONS TO BE VERIFIED ON SITE BEFORE FABRICATION.

LEGEND :

- X1 --- DETAIL MARK NO.
X001 --- REFER SHEET NO.

1. F.F.L. --- FINISHED FLOOR LEVEL
2. S.F.L. --- STRUCTURAL FLOOR LEVEL
3. (A) --- REVERSED DETAIL

B	2019/1/30	BY ARCHITECT COMMENT	Zeng
A	2018/11/2	BY ARCHITECT COMMENT	Zeng
NO.	DATE	REVISED	BY

JOB NO. : J-837
PROJECT : URA KWUN TONG TOWN CENTRE REDEVELOPMENT (AREA 2 & 3) AT NKIL 6514, KWUN TONG, KOWLOON

TITLE :

TYPICAL DETAIL FOR
IN-SITU ALUM. WINDOW
(IN-SITU WINDOW)

DATE : 09-JUL-18 SCALE : 1:2
DRAWN BY : Zeng CHECKED BY : DW


美特鋁質有限公司
MIDI ALUMINIUM FABRICATOR LTD.
Units 6-8, Sunray Industrial Centre, 1/F
610 Cha Kwo Ling Road, Kowloon
Tel: 23489211-4 Fax: (852) 27727666

DWG NO. : J837-IW-6001 REV. : B

B.D. REF :

CLIENT :
 信和置業有限公司
 Sino Land Company Limited

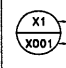
ARCHITECT :
 WONG TUNG & PARTNERS LIMITED
 ARCHITECTS & PLANNERS


MAIN CONTRACTOR :
 CR Construction Company Limited

STRUCTURAL ENGINEER :
 AECOM

FACADE CONSULTANT:

NOTE :
 1. ALL DIMENSIONS ARE IN mm.
 2. ALL ELEVATIONS ARE VIEWED FROM OUTSIDE.
 3. ALL DIMENSIONS TO BE VERIFIED ON SITE BEFORE FABRICATION.

LEGEND :
 X1 --- DETAIL MARK NO.
 X001 --- REFER SHEET NO.
 1. F.F.L. --- FINISHED FLOOR LEVEL
 2. S.F.L. --- STRUCTURAL FLOOR LEVEL
 3. (7/8) --- REVERSED DETAIL

B	2019/1/30	BY ARCHITECT COMMENT	Zeng
A	2018/11/2	BY ARCHITECT COMMENT	Zeng
NO.	DATE	REVISED	BY

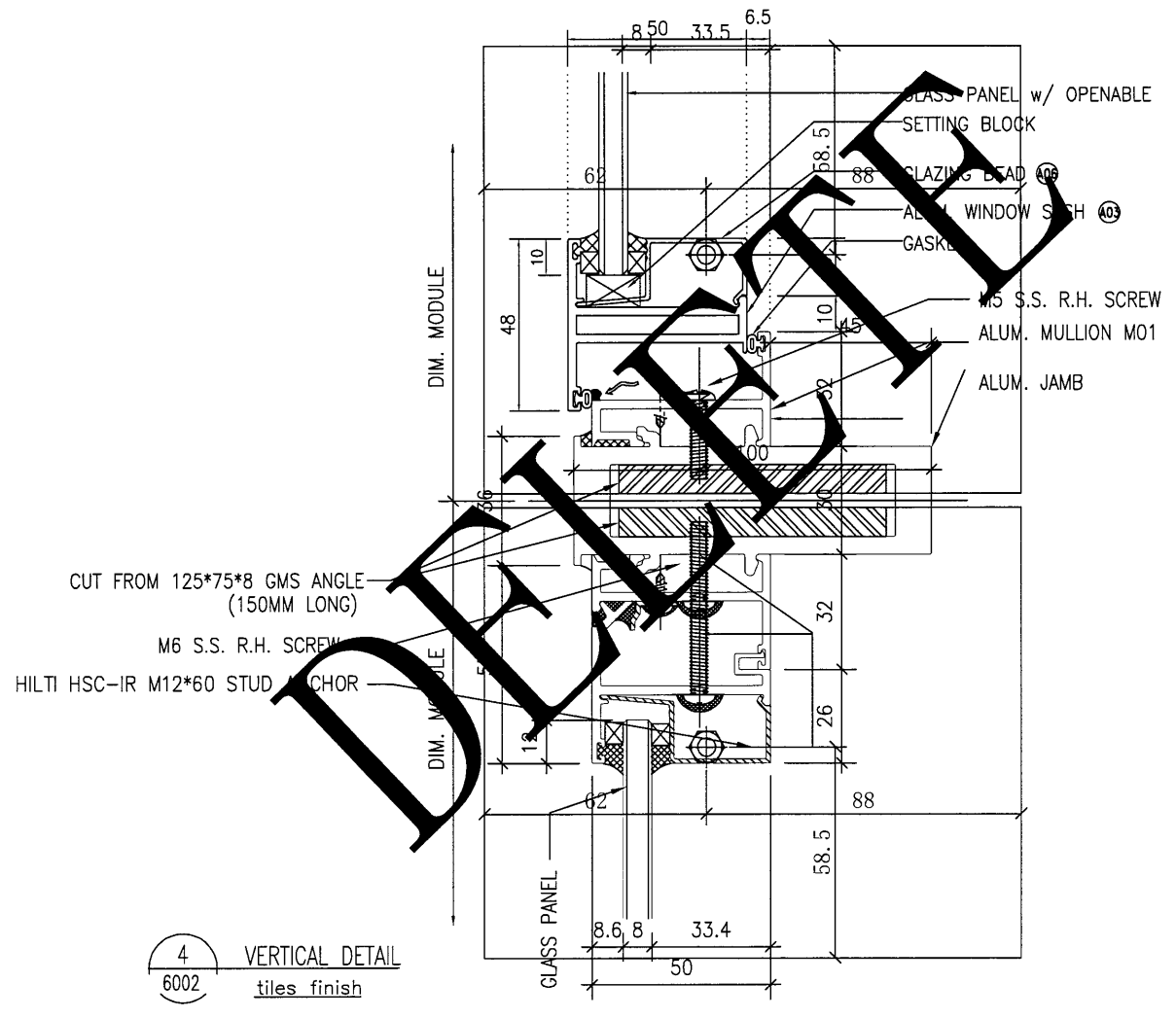
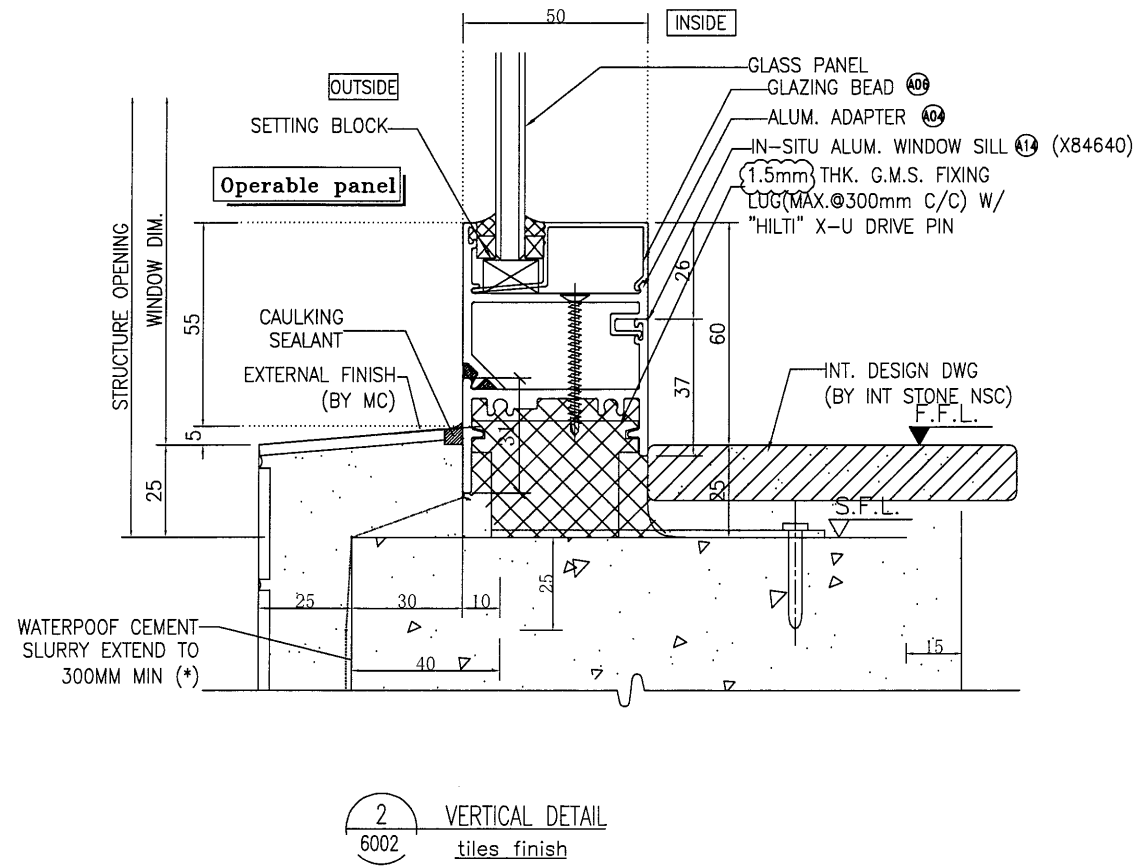
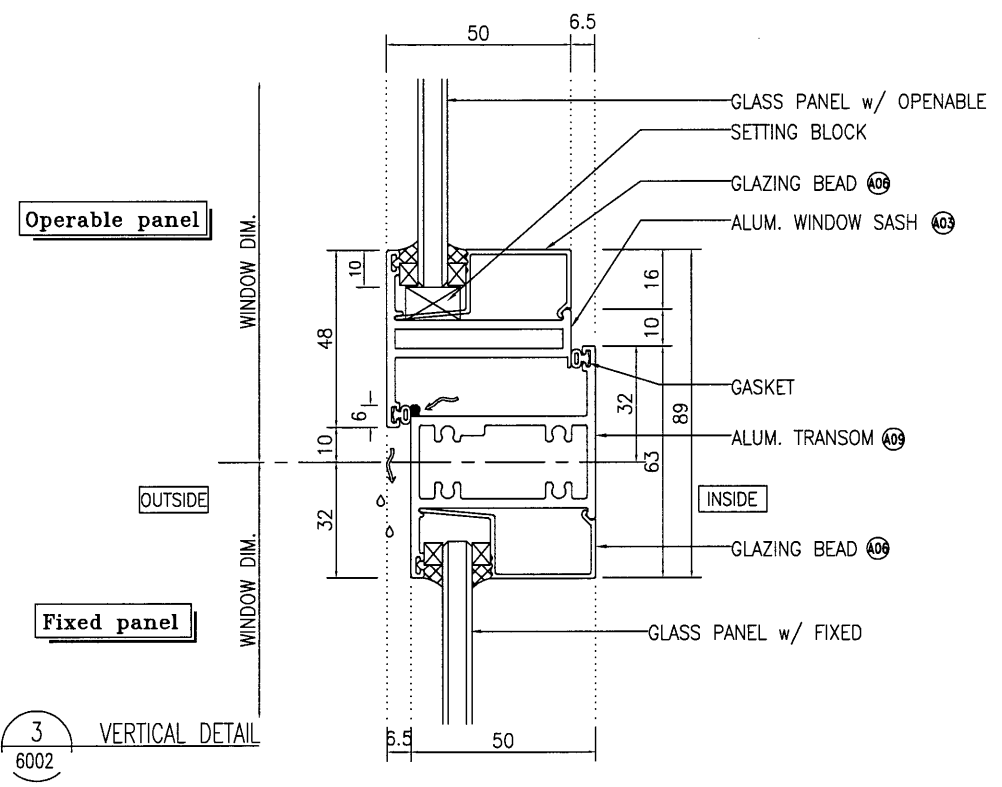
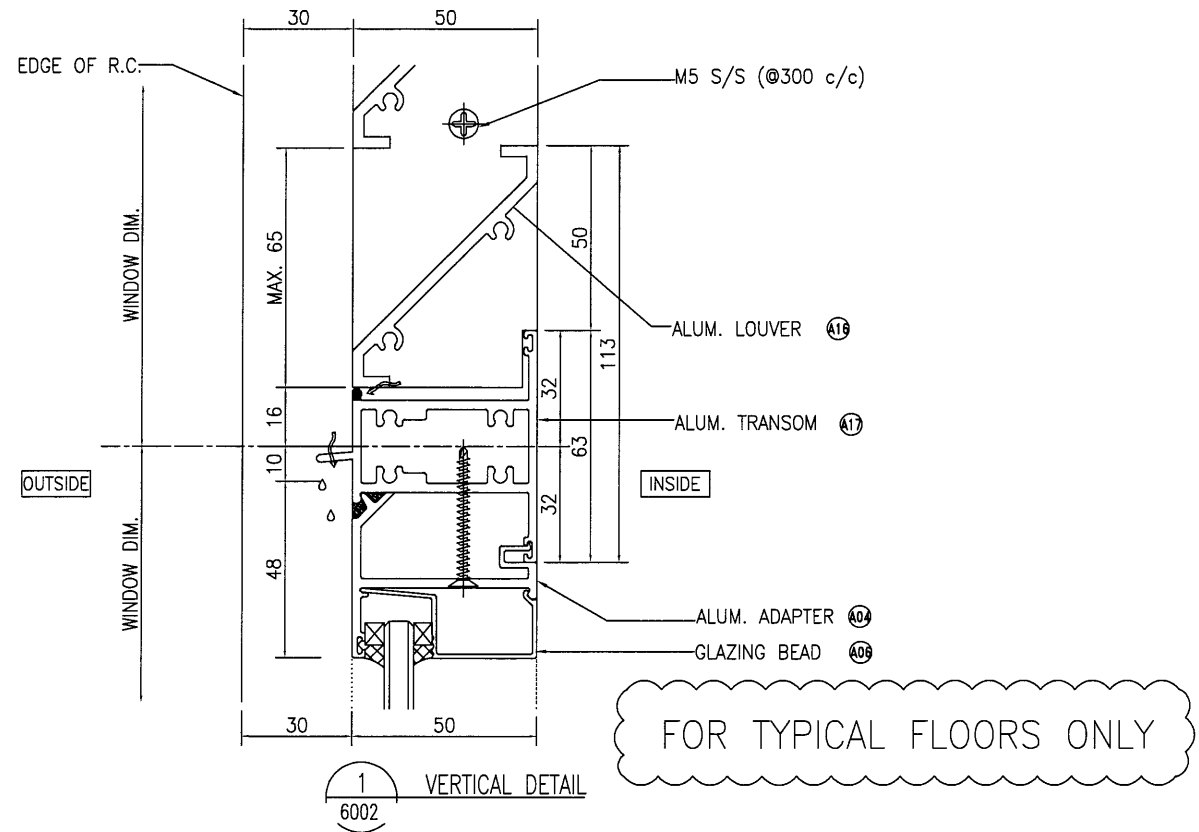
JOB NO. : J-837
 PROJECT :
 URA KWUN TONG TOWN CENTRE
 REDEVELOPMENT (AREA 2 & 3) AT
 NKIL 6514, KWUN TONG, KOWLOON

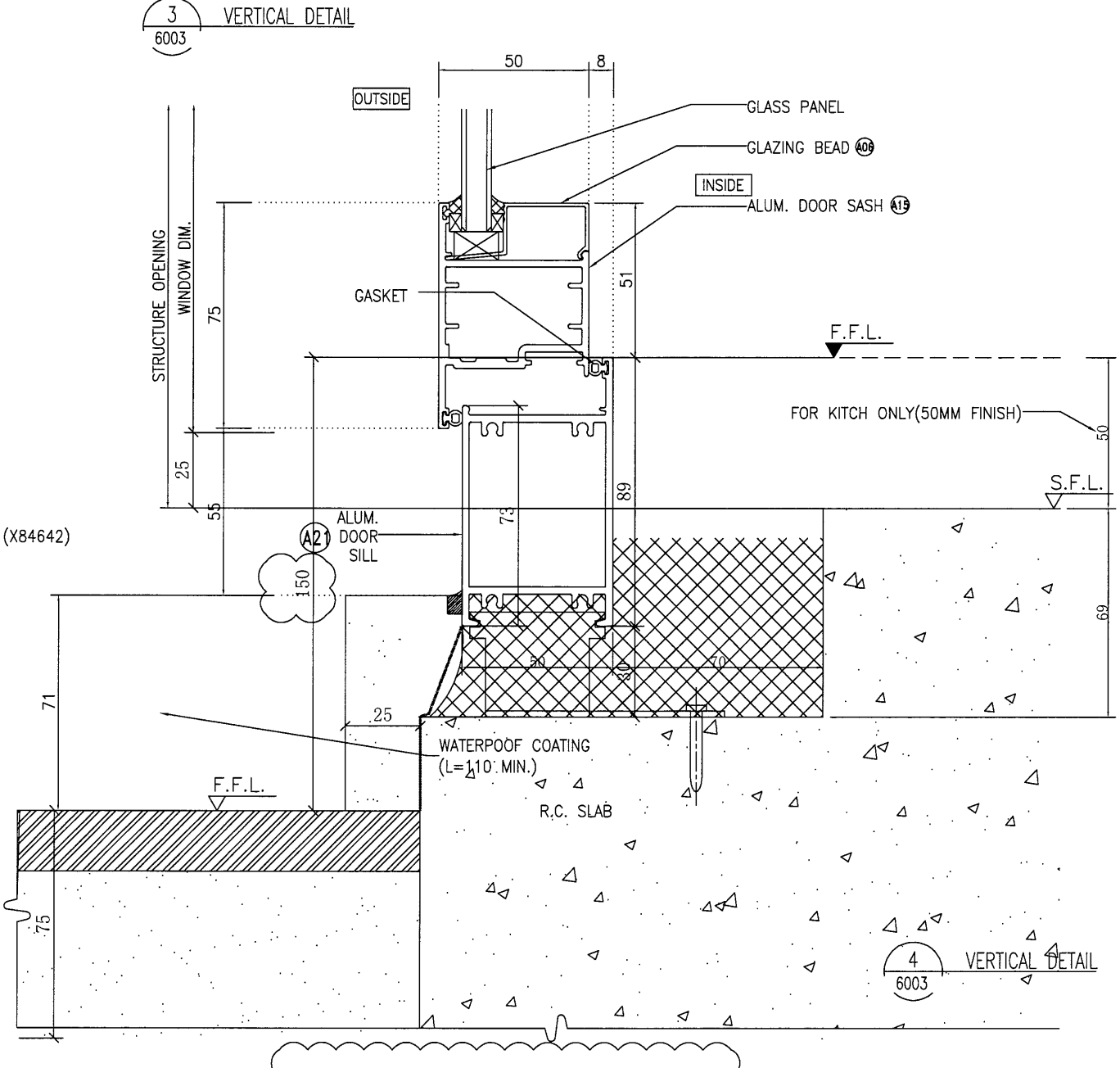
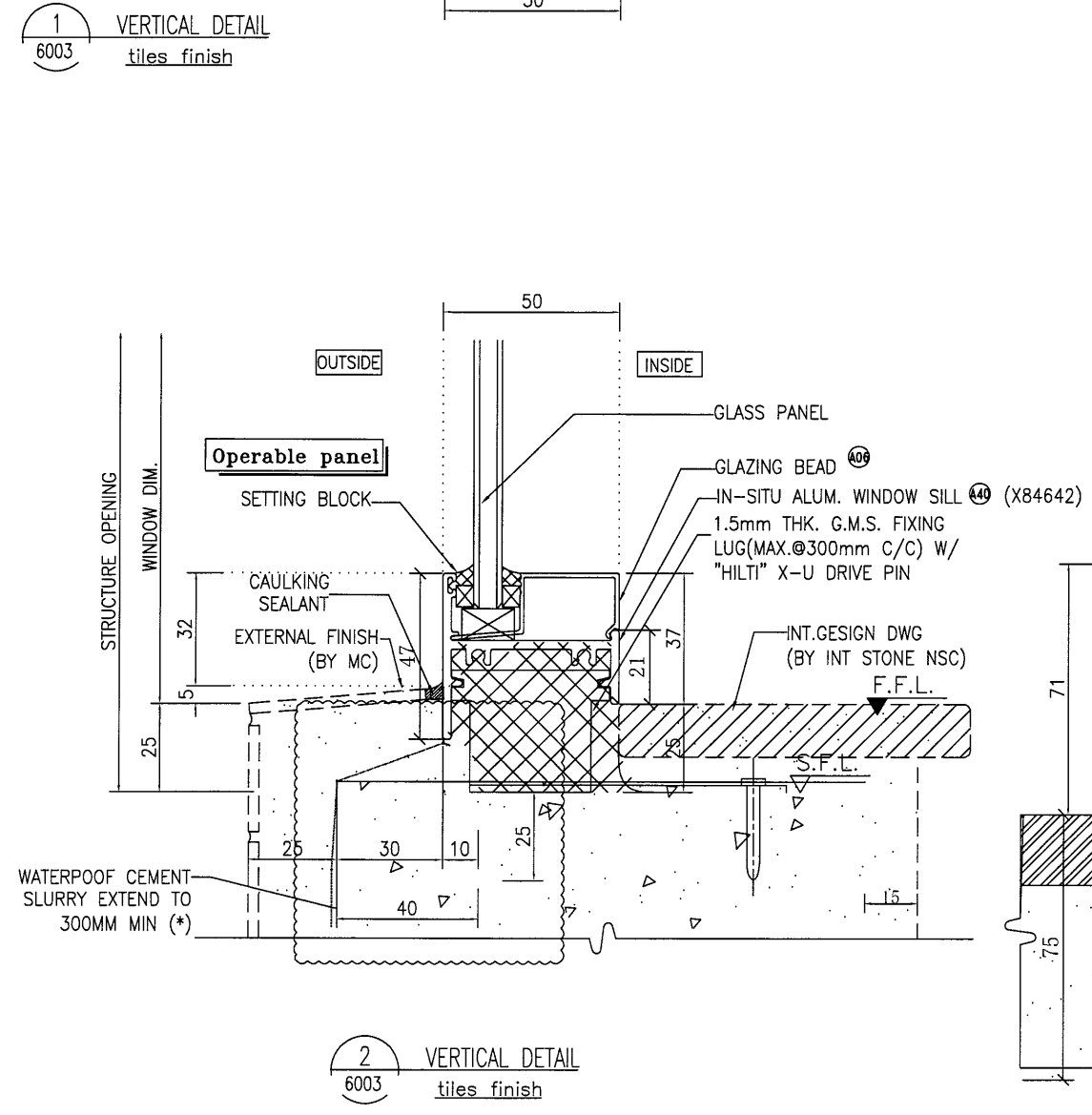
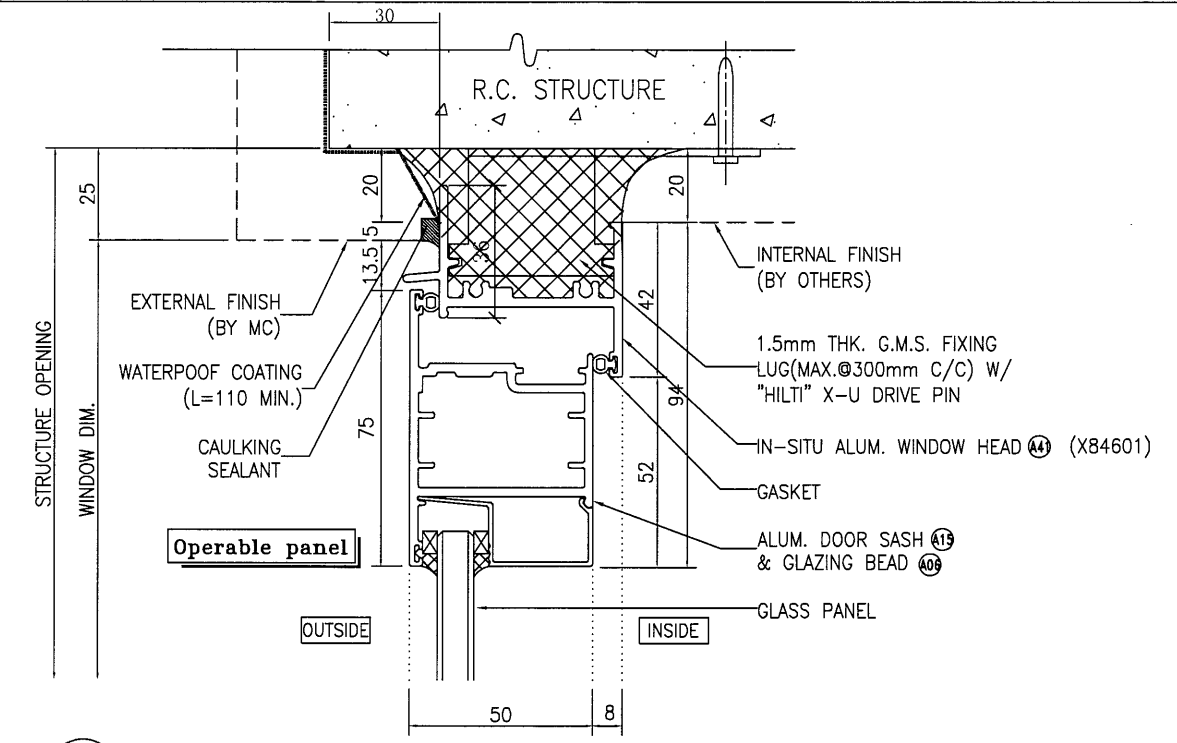
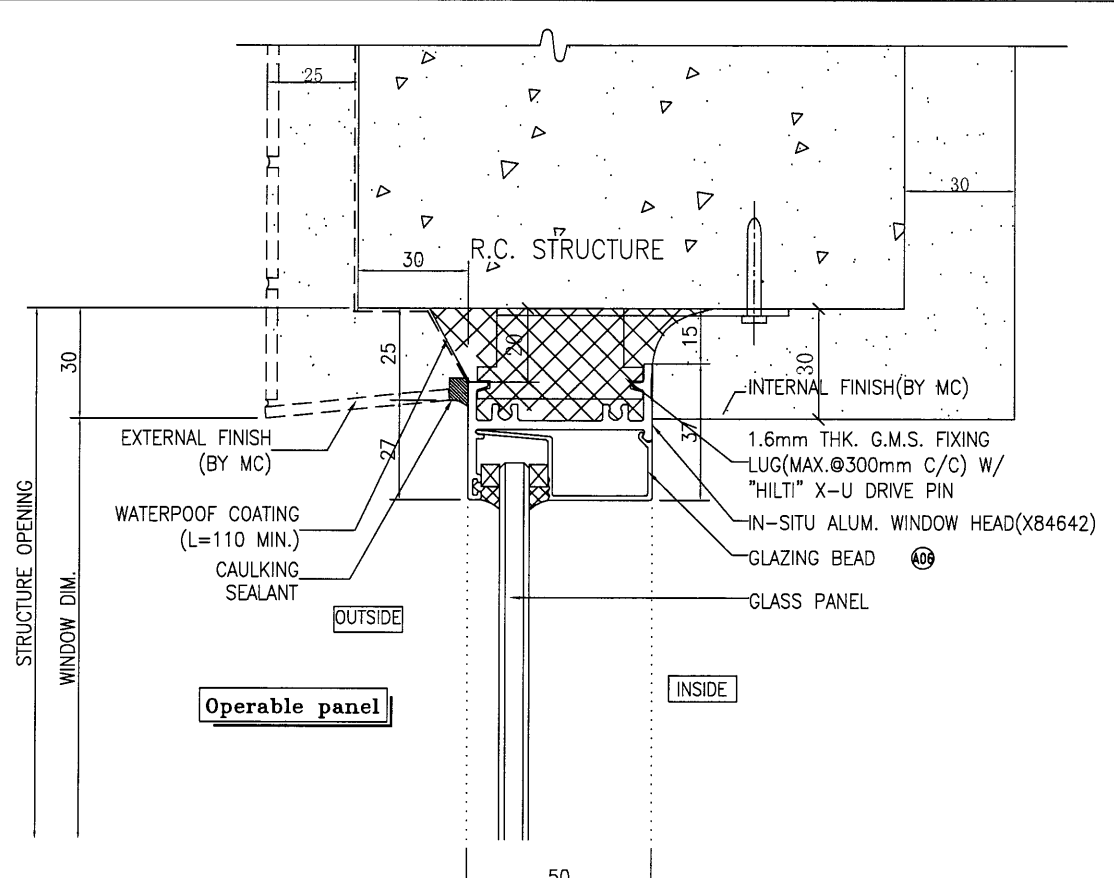
TITLE :
 TYPICAL DETAIL FOR
 IN-SITU ALUM. WINDOW
 (IN-SITU WINDOW)

DATE : 09-JUL-18 SCALE : 1:2
 DRAWN BY : Zeng CHECKED BY : DW

 美特鋁質有限公司
 MIDI ALUMINIUM FABRICATOR LTD.
 Units 6-8, Sunray Industrial Centre, 1/F
 610 Cha Kwo Ling Road, Kowloon
 Tel:23489211-4 Fax:(852)27727666

DWG NO. : J837- IW-6002 REV. : B





FOR TYPICAL FLOORS ONLY

B.D. REF :

CLIENT :
 信和置業有限公司
 Sino Land Company Limited

ARCHITECT :
 WONG TUNG & PARTNERS LIMITED
 ARCHITECTS & PLANNERS

MAIN CONTRACTOR :
 CR Construction Company Limited

STRUCTURAL ENGINEER :
 AECOM

FACADE CONSULTANT:

NOTE :
 1. ALL DIMENSIONS ARE IN mm.
 2. ALL ELEVATIONS ARE VIEWED FROM OUTSIDE.
 3. ALL DIMENSIONS TO BE VERIFIED ON SITE BEFORE FABRICATION.

LEGEND :
 X1 --- DETAIL MARK NO.
 X001 --- REFER SHEET NO.

1. F.F.L. --- FINISHED FLOOR LEVEL
 2. S.F.L. --- STRUCTURAL FLOOR LEVEL
 3. (R) --- REVERSED DETAIL

B	2019/3/6	BY ARCHITECT COMMENT	Zeng
A	2018/11/2	BY ARCHITECT COMMENT	Zeng
NO.	DATE	REVISED	BY

JOB NO. : J-837

PROJECT :
 URA KWUN TONG TOWN CENTRE
 REDEVELOPMENT (AREA 2 & 3) AT
 NKIL 6514, KWUN TONG, KOWLOON

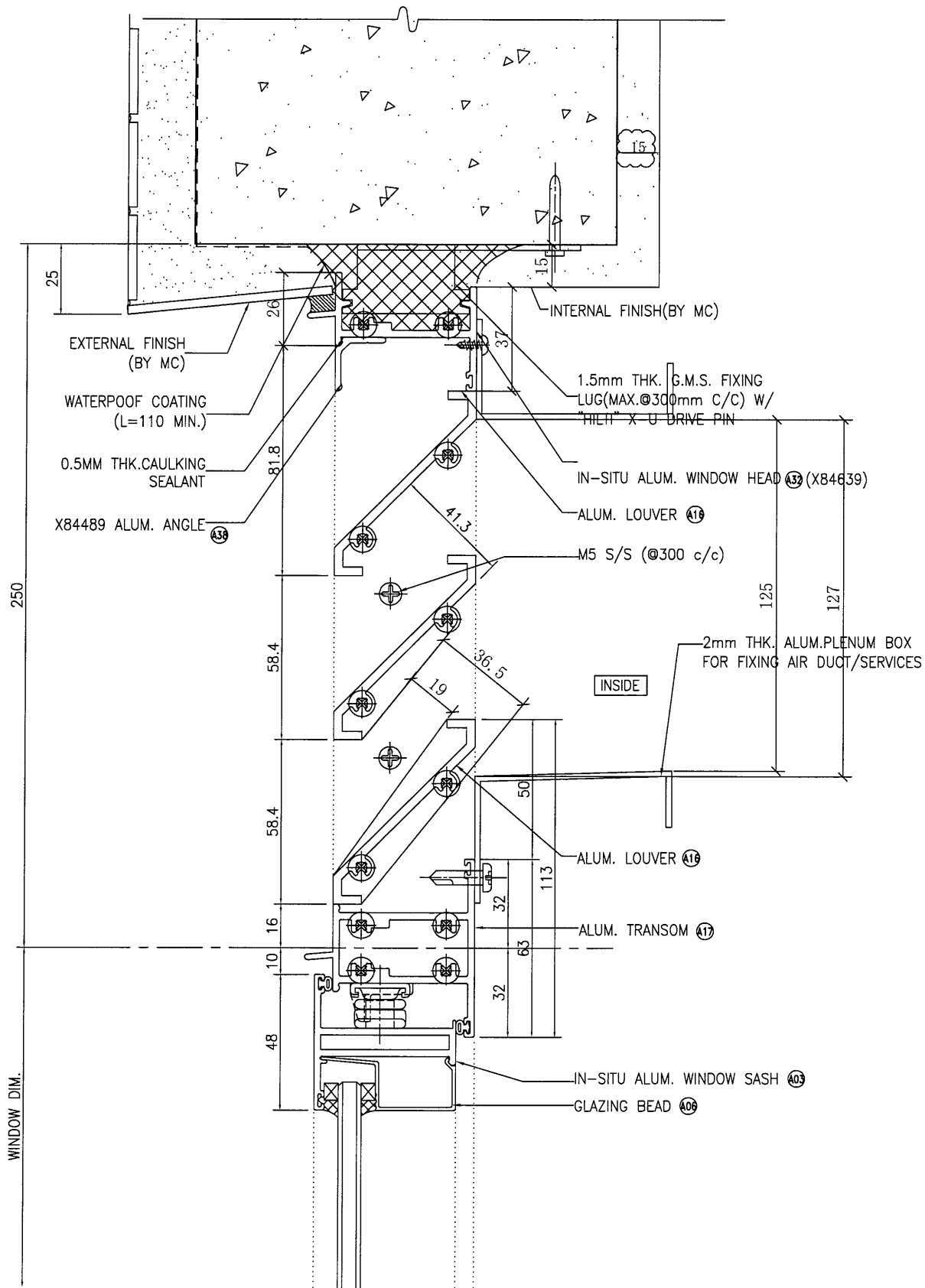
TITLE :
 TYPICAL DETAIL FOR
 IN-SITU ALUM. WINDOW
 (IN-SITU WINDOW)

DATE : 09-JUL-18 SCALE : 1:2

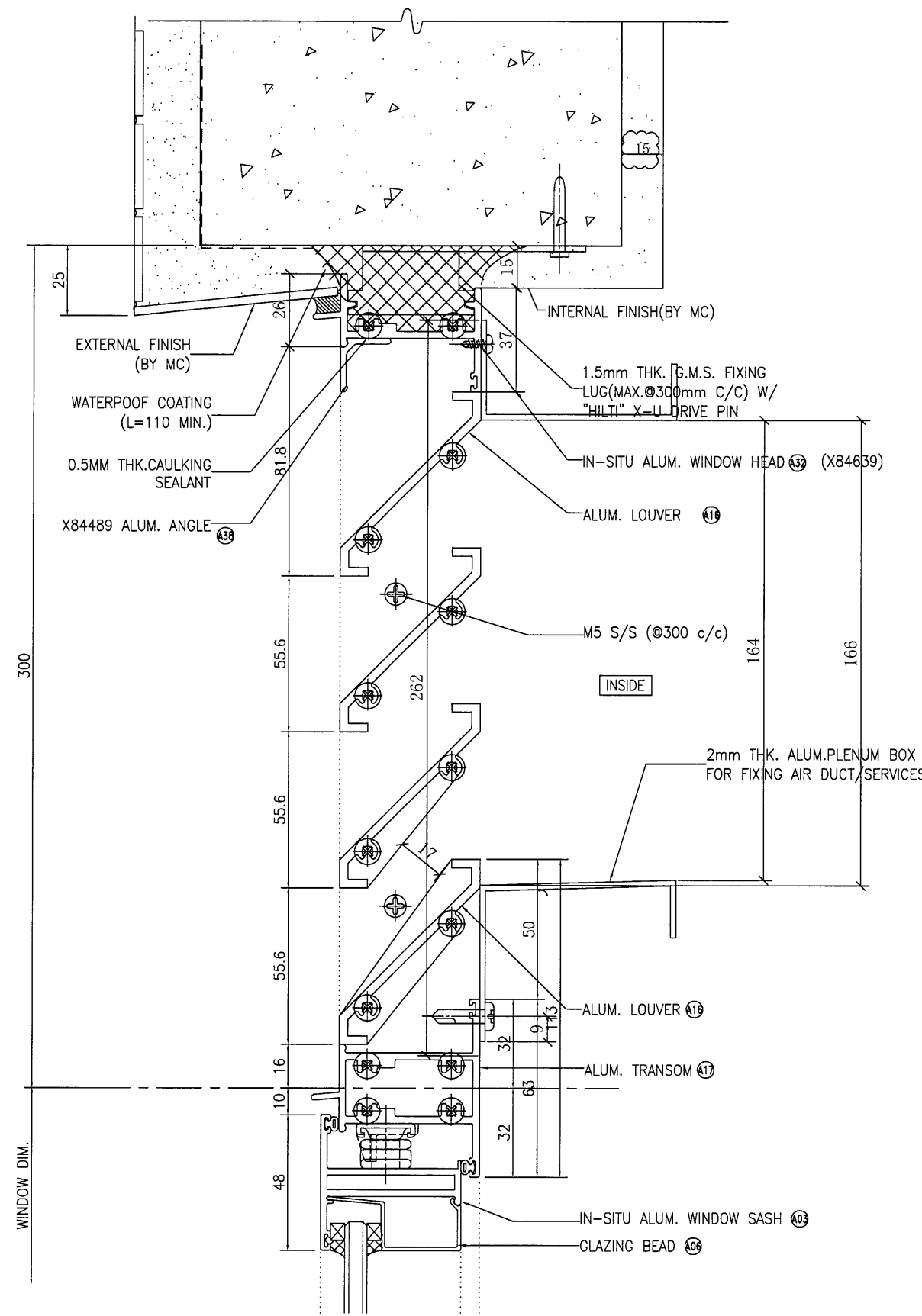
DRAWN BY : Zeng CHECKED BY : DW

美特鋁質有限公司
 MIDI ALUMINIUM FABRICATOR LTD.
 Units 6-8, Sunray Industrial Centre, 1/F
 610 Cha Kwo Ling Road, Kowloon
 Tel:23489211-4 Fax:(852)27727666

DWG NO. : JB37-1W-6003 REV. : B



1 VERTICAL DETAIL
6004 For Alum. Louver With 52% Effective Area



2 VERTICAL DETAIL
6004 For Alum. Louver With 48.6% Effective Area

B.D. REF :

CLIENT :
 信和置業有限公司
 Sino Land Company Limited

ARCHITECT :
 WONG TUNG & PARTNERS LIMITED
 ARCHITECTS & PLANNERS

MAIN CONTRACTOR :
 CR Construction Company Limited

STRUCTURAL ENGINEER :
 AECOM

FACADE CONSULTANT :

NOTE :
 1. ALL DIMENSIONS ARE IN mm.
 2. ALL ELEVATIONS ARE VIEWED FROM OUTSIDE.
 3. ALL DIMENSIONS TO BE VERIFIED ON SITE BEFORE FABRICATION.

LEGEND :
 X1 --- DETAIL MARK NO.
 X001 --- REFER SHEET NO.
 1. F.F.L. --- FINISHED FLOOR LEVEL
 2. S.F.L. --- STRUCTURAL FLOOR LEVEL
 3. (A) --- REVERSED DETAIL

B	2018/11/20	BY ARCHITECT COMMENT	Zeng
A	2018/11/2	BY ARCHITECT COMMENT	Zeng
NO.	DATE	REVISED	BY

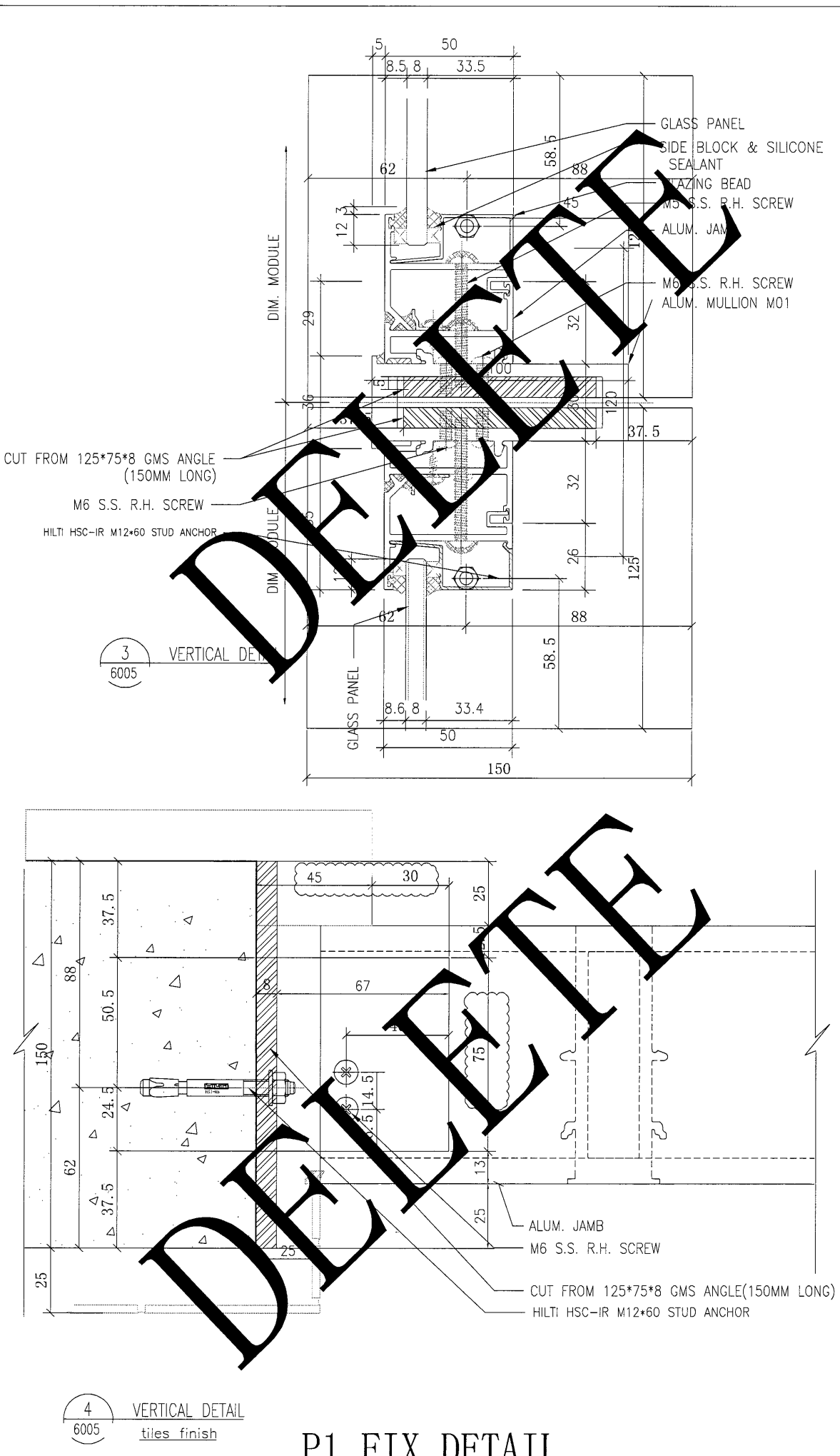
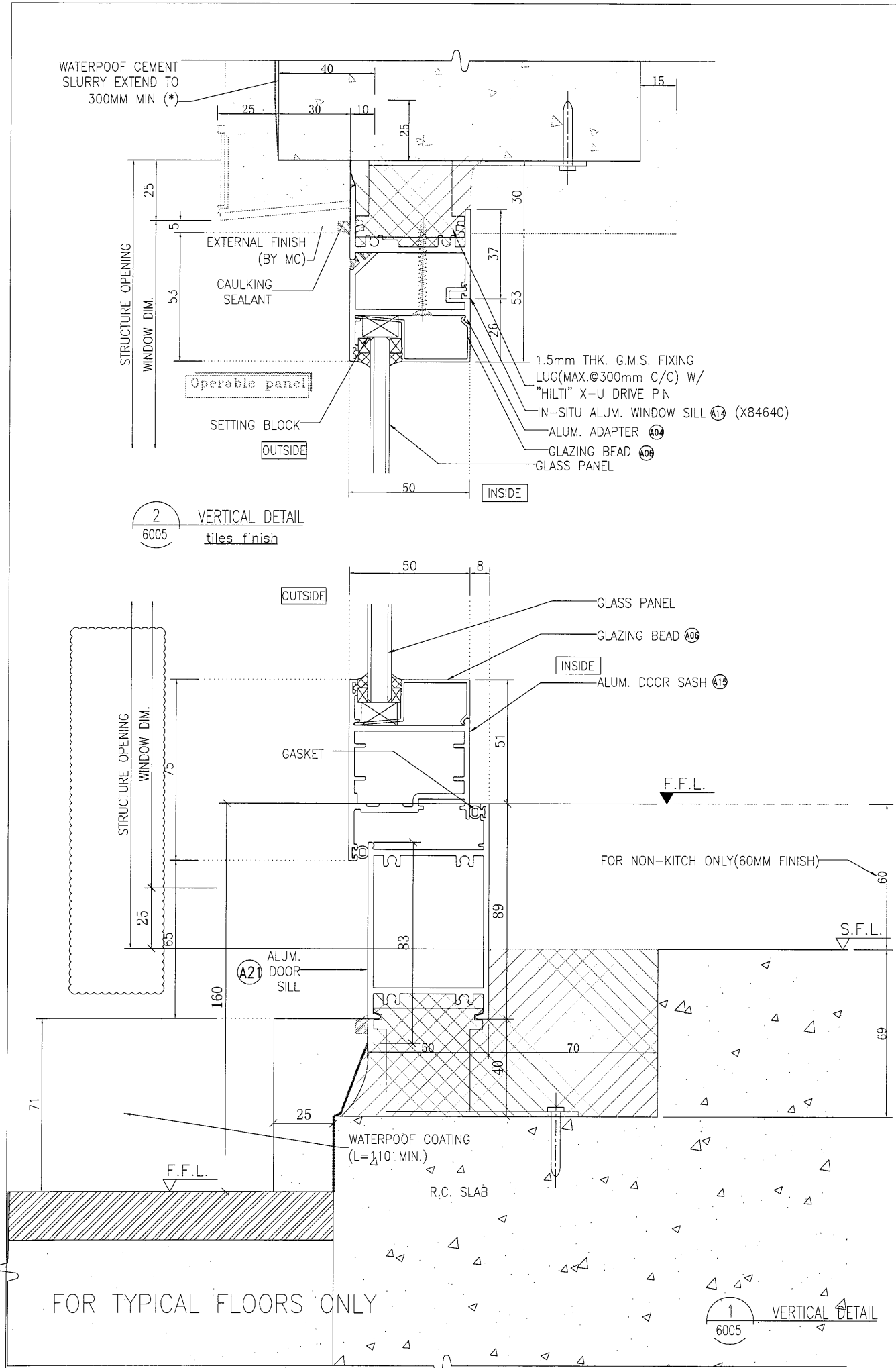
JOB NO. : J-837
 PROJECT :
 URA KWUN TONG TOWN CENTRE
 REDEVELOPMENT (AREA 2 & 3) AT
 NKIL 6514, KWUN TONG, KOWLOON

TITLE :
 TYPICAL DETAIL FOR
 IN-SITU ALUM. WINDOW
 (IN-SITU WINDOW)

DATE : 09-JUL-18 SCALE : 1:2
 DRAWN BY : Zeng CHECKED BY : DW

美特鋁質有限公司
 MIDI ALUMINIUM FABRICATOR LTD.
 Units 6-8, Sunray Industrial Centre, 1/F
 610 Cho Kwo Ling Road, Kowloon
 Tel:23489211-4 Fax:(852)27727666

DWG NO. : J837-IW-6004 REV. : B



B.D. REF :

CLIENT : 信和置業有限公司 Sino Land Company Limited

ARCHITECT : WONG TUNG & PARTNERS LIMITED ARCHITECTS & PLANNERS

MAIN CONTRACTOR : CR Construction Company Limited

STRUCTURAL ENGINEER : AECOM

FACADE CONSULTANT:

NOTE :

- ALL DIMENSIONS ARE IN mm.
- ALL ELEVATIONS ARE VIEWED FROM OUTSIDE.
- ALL DIMENSIONS TO BE VERIFIED ON SITE BEFORE FABRICATION.

LEGEND :

(X1) — DETAIL MARK NO.
(X001) — REFER SHEET NO.

- F.F.L. — FINISHED FLOOR LEVEL
- S.F.L. — STRUCTURAL FLOOR LEVEL
- (/R) — REVERSED DETAIL

B	2019/11/1	BY ARCHITECT COMMENT	Zeng
A	2019/5/2	BY ARCHITECT COMMENT	Zeng
NO.	DATE	REVISED	BY

JOB NO. : J-837

PROJECT : URA KWUN TONG TOWN CENTRE REDEVELOPMENT (AREA 2 & 3) AT NKIL 6514, KWUN TONG, KOWLOON

TITLE : TYPICAL DETAIL FOR IN-SITU ALUM. WINDOW (IN-SITU WINDOW)

DATE : 09-JUL-18 SCALE : 1:2

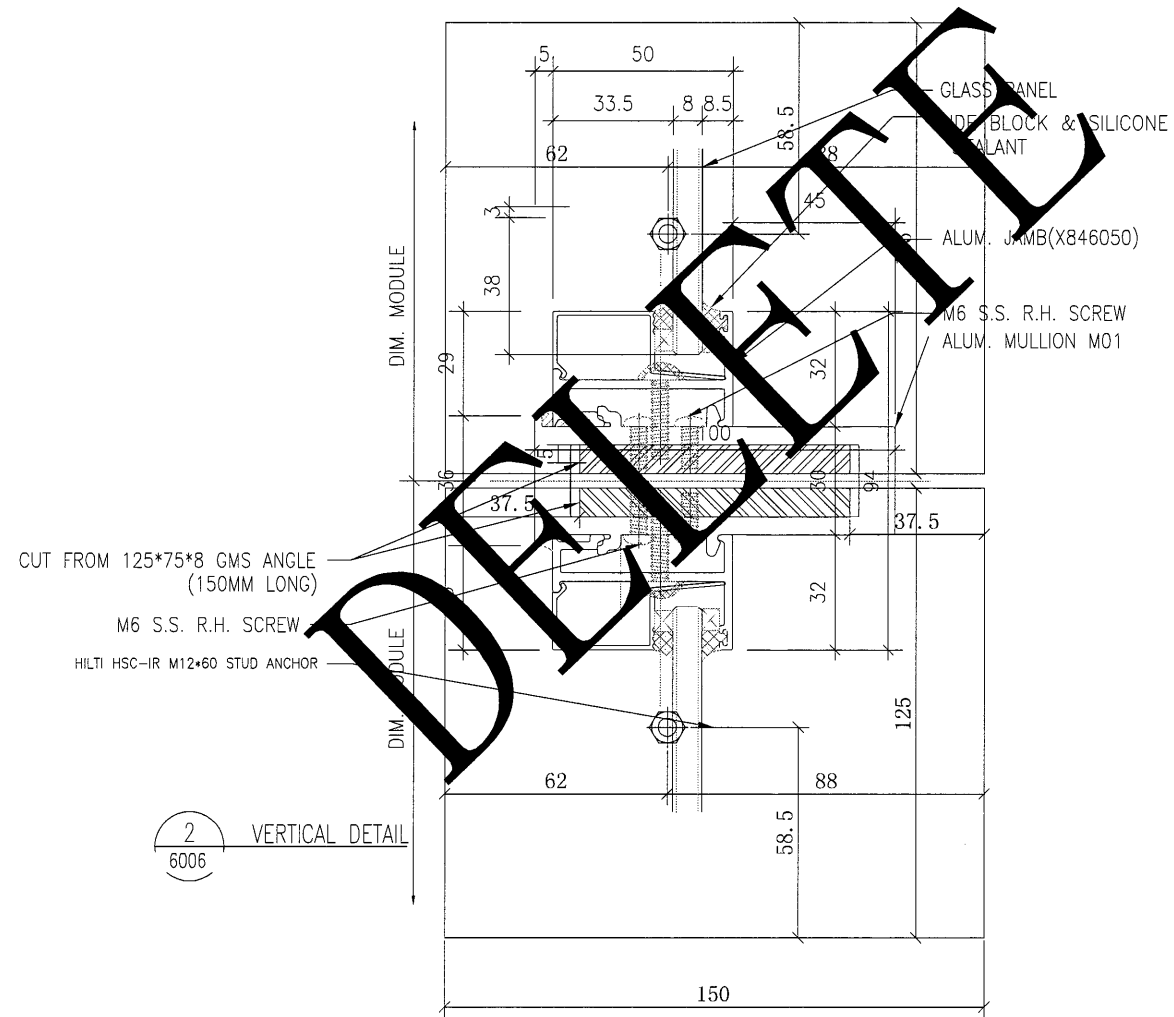
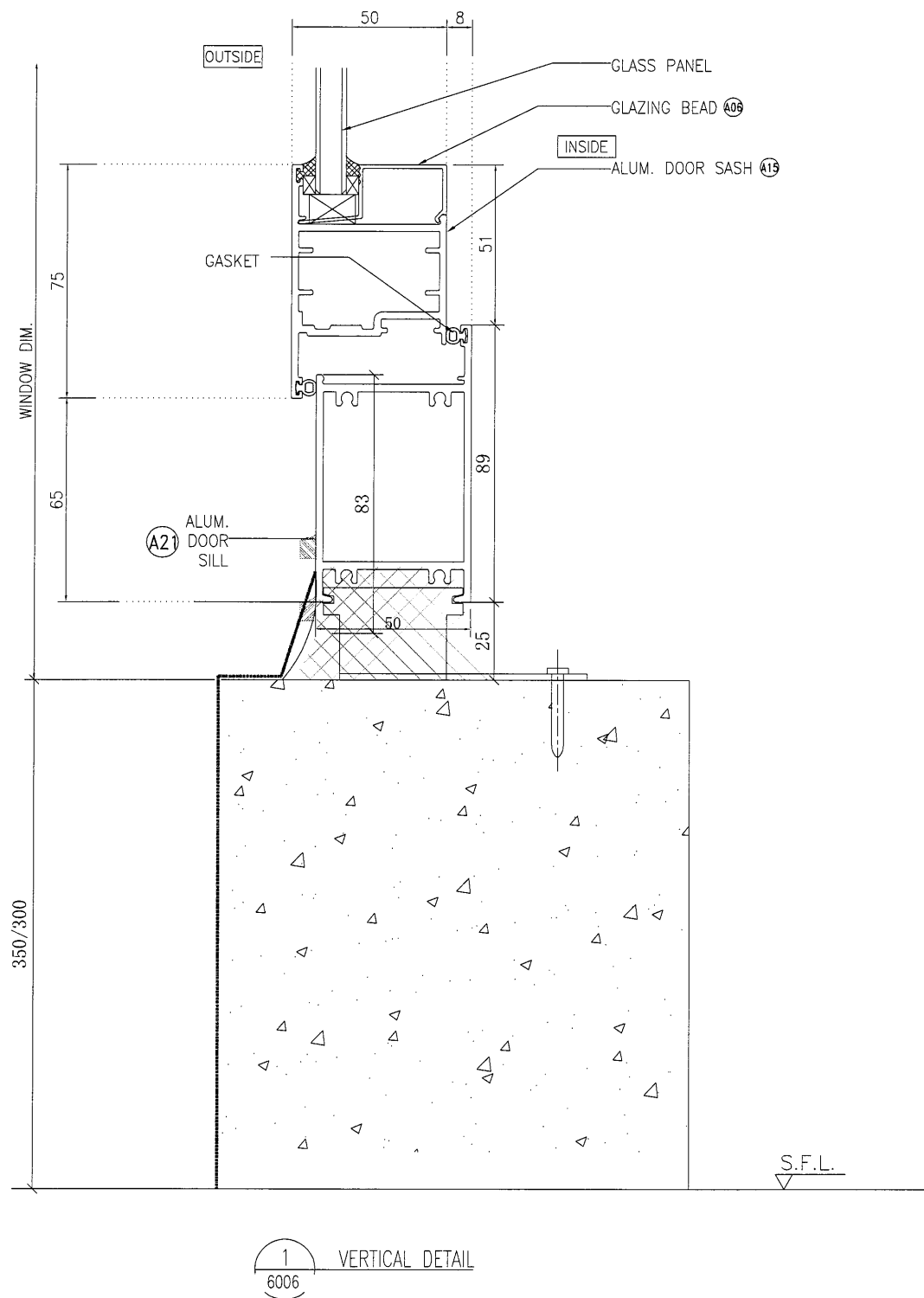
DRAWN BY : Zeng CHECKED BY : DW

美特鋁質有限公司
MIDI ALUMINIUM FABRICATOR LTD.
Units 6-8, Sunray Industrial Centre, 1/F
610 Cha Kwo Ling Road, Kowloon
Tel: 23489211-4 Fax: (852) 27727666

DWG NO. : J837-IW-6005 REV. : B

P1 FIX DETAIL

1/11



B.D. REF :

CLIENT :

信和置業有限公司
Sino Land Company Limited

ARCHITECT :

WONG TUNG & PARTNERS LIMITED
ARCHITECTS & PLANNERS
WT

MAIN CONTRACTOR :

CR Construction Company Limited

STRUCTURAL ENGINEER :

AECOM

FACADE CONSULTANT:

NOTE :

1. ALL DIMENSIONS ARE IN mm.
2. ALL ELEVATIONS ARE VIEWED FROM OUTSIDE.
3. ALL DIMENSIONS TO BE VERIFIED ON SITE BEFORE FABRICATION.

LEGEND :

- X1 --- DETAIL MARK NO.
- X001 --- REFER SHEET NO.

1. F.F.L. -- FINISHED FLOOR LEVEL
2. S.F.L. -- STRUCTURAL FLOOR LEVEL
3. (R) -- REVERSED DETAIL

A	2019/10/25	BY ARCHITECT COMMENT	Zeng
NO.	DATE	REVISED	BY

JOB NO. : J-B37

PROJECT :
URA KWUN TONG TOWN CENTRE
REDEVELOPMENT (AREA 2 & 3) AT
NKIL 6514, KWUN TONG, KOWLOON

TITLE :

TYPICAL DETAIL FOR
IN-SITU ALUM. WINDOW
(IN-SITU WINDOW)

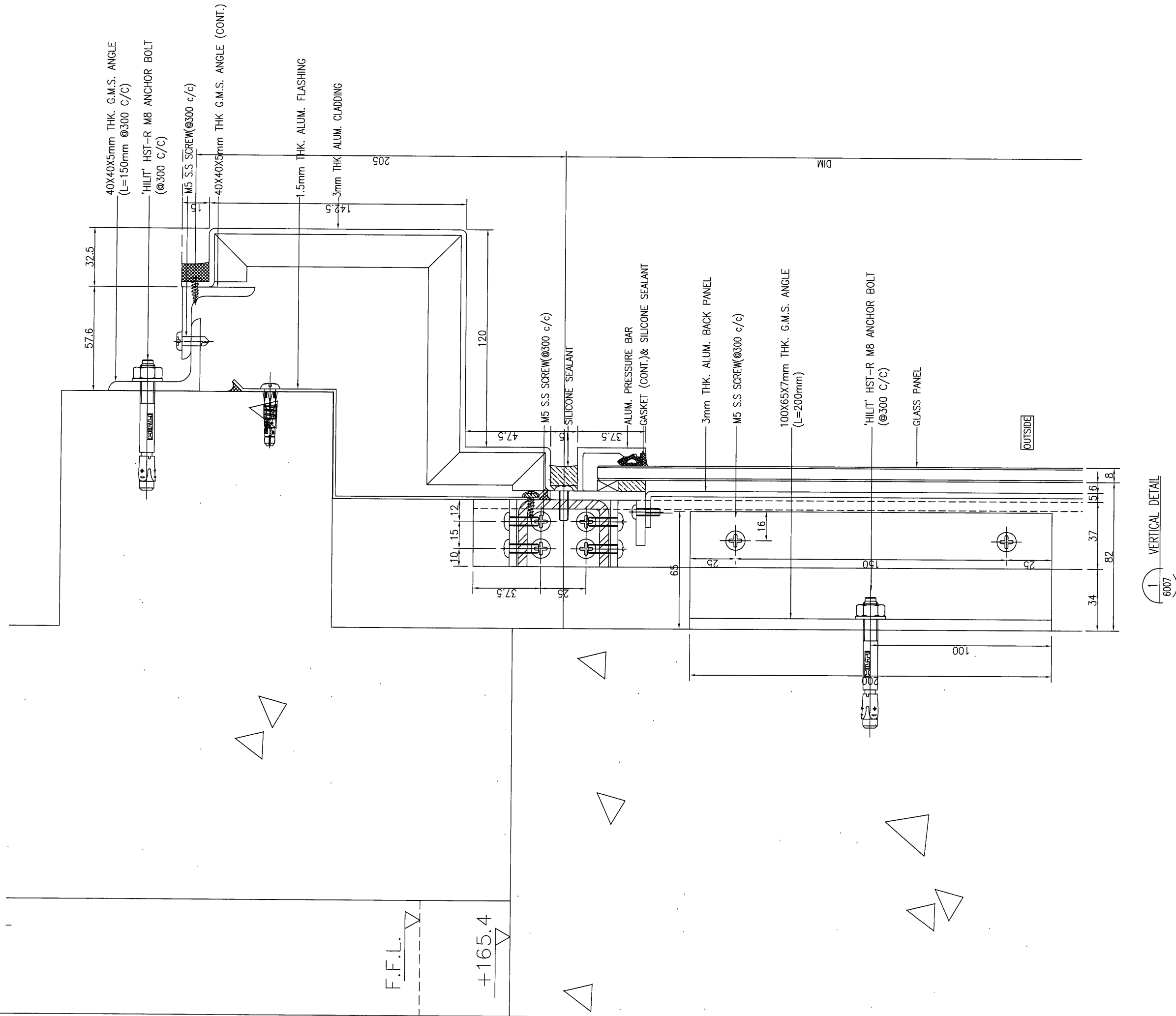
DATE : 09-JUL-18 SCALE : 1:2

DRAWN BY : Zeng CHECKED BY : DW

英特鋁質有限公司
MIDI ALUMINIUM FABRICATOR LTD.
Units 6-8, Sunray Industrial Centre, 1/F
610 Cha Kwo Ling Road, Kowloon
Tel:23489211-4 Fax:(852)27727666

DWG NO. : J837-IW-6006

REV. : A



B.D. REF :

CLIENT :
 信和置業有限公司
 Sino Land Company Limited

ARCHITECT :
 WONG TUNG & PARTNERS LIMITED
 ARCHITECTS & PLANNERS

MAIN CONTRACTOR :
 CR Construction Company Limited

STRUCTURAL ENGINEER :
 AECOM

FACADE CONSULTANT:

NOTE :
 1. ALL DIMENSIONS ARE IN mm.
 2. ALL ELEVATIONS ARE VIEWED FROM OUTSIDE.
 3. ALL DIMENSIONS TO BE VERIFIED ON SITE BEFORE FABRICATION.

LEGEND :
 (X1) --- DETAIL MARK NO.
 (X001) --- REFER SHEET NO.
 1. F.F.L. --- FINISHED FLOOR LEVEL
 2. S.F.L. --- STRUCTURAL FLOOR LEVEL
 3. (R) --- REVERSED DETAIL

NO.	DATE	REVISED	BY

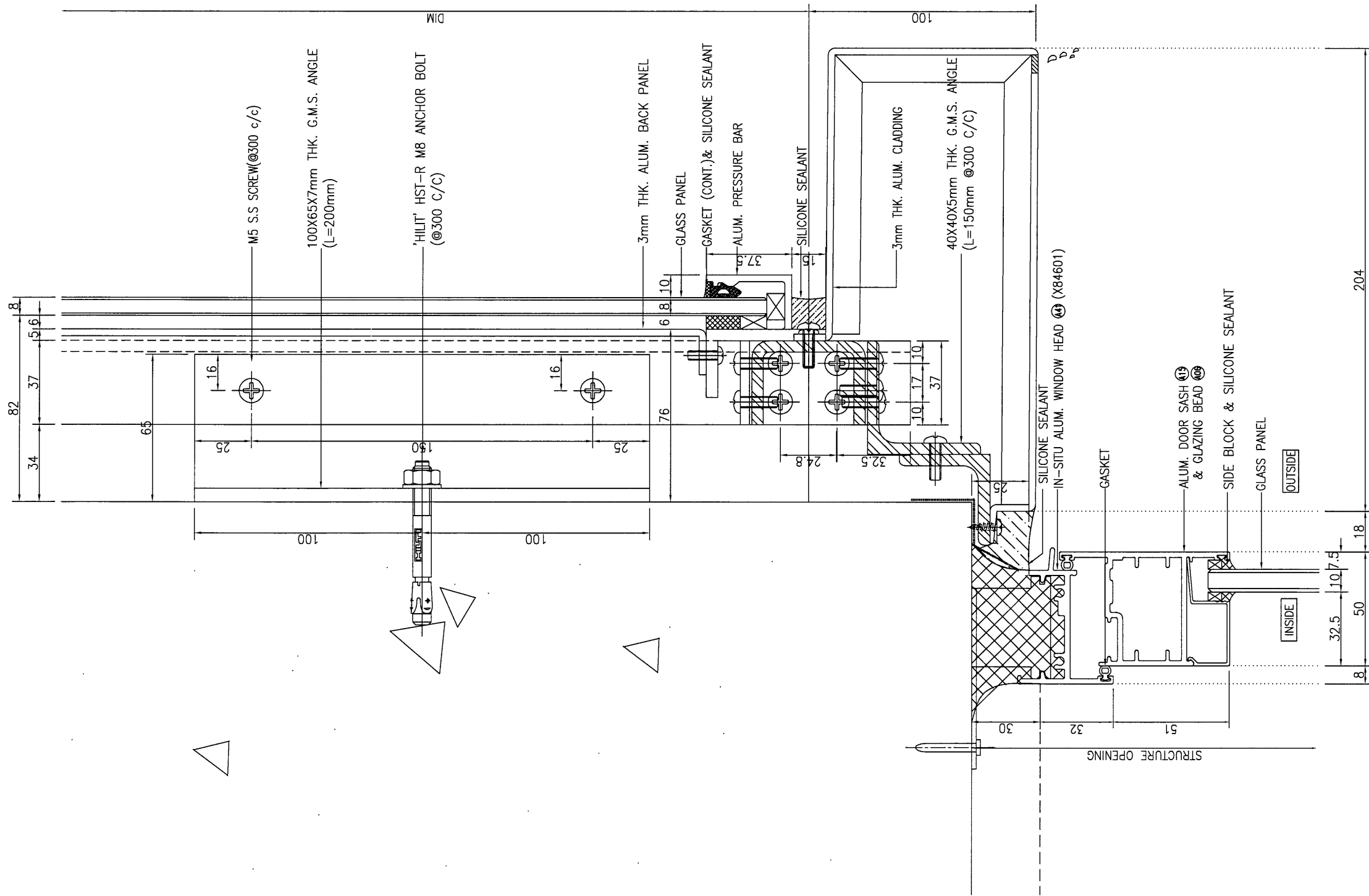
JOB NO. : J-837
 PROJECT :
 URA KWUN TONG TOWN CENTRE
 REDEVELOPMENT (AREA 2 & 3) AT
 NKIL 6514, KWUN TONG, KOWLOON

TITLE :
 TYPICAL DETAIL FOR
 IN-SITU ALUM. WINDOW
 (IN-SITU WINDOW)

DATE : 09-JUL-18 SCALE : 1:2
 DRAWN BY : Zeng CHECKED BY : DW

美特鋁質有限公司
 MIDI ALUMINIUM FABRICATOR LTD.
 Units 6-8, Sunray Industrial Centre, 1/F
 610 Cha Kwo Ling Road, Kowloon
 Tel: 23489211-4 Fax: (852) 27727666

DWG NO. : J837-IW-6007 REV. : -



1 VERTICAL DETAIL
6008

B.D. REF :

CLIENT :
 信和置業有限公司
 Sino Land Company Limited

ARCHITECT :
 WONG TUNG & PARTNERS LIMITED
 ARCHITECTS & PLANNERS

MAIN CONTRACTOR :
 CR Construction Company Limited

STRUCTURAL ENGINEER :
 AECOM

FACADE CONSULTANT:

NOTE :
 1. ALL DIMENSIONS ARE IN mm.
 2. ALL ELEVATIONS ARE VIEWED FROM OUTSIDE.
 3. ALL DIMENSIONS TO BE VERIFIED ON SITE BEFORE FABRICATION.

LEGEND :
 X1 --- DETAIL MARK NO.
 X001 --- REFER SHEET NO.
 1. F.F.L. --- FINISHED FLOOR LEVEL
 2. S.F.L. --- STRUCTURAL FLOOR LEVEL
 3. (R) --- REVERSED DETAIL

NO.	DATE	REVISED	BY

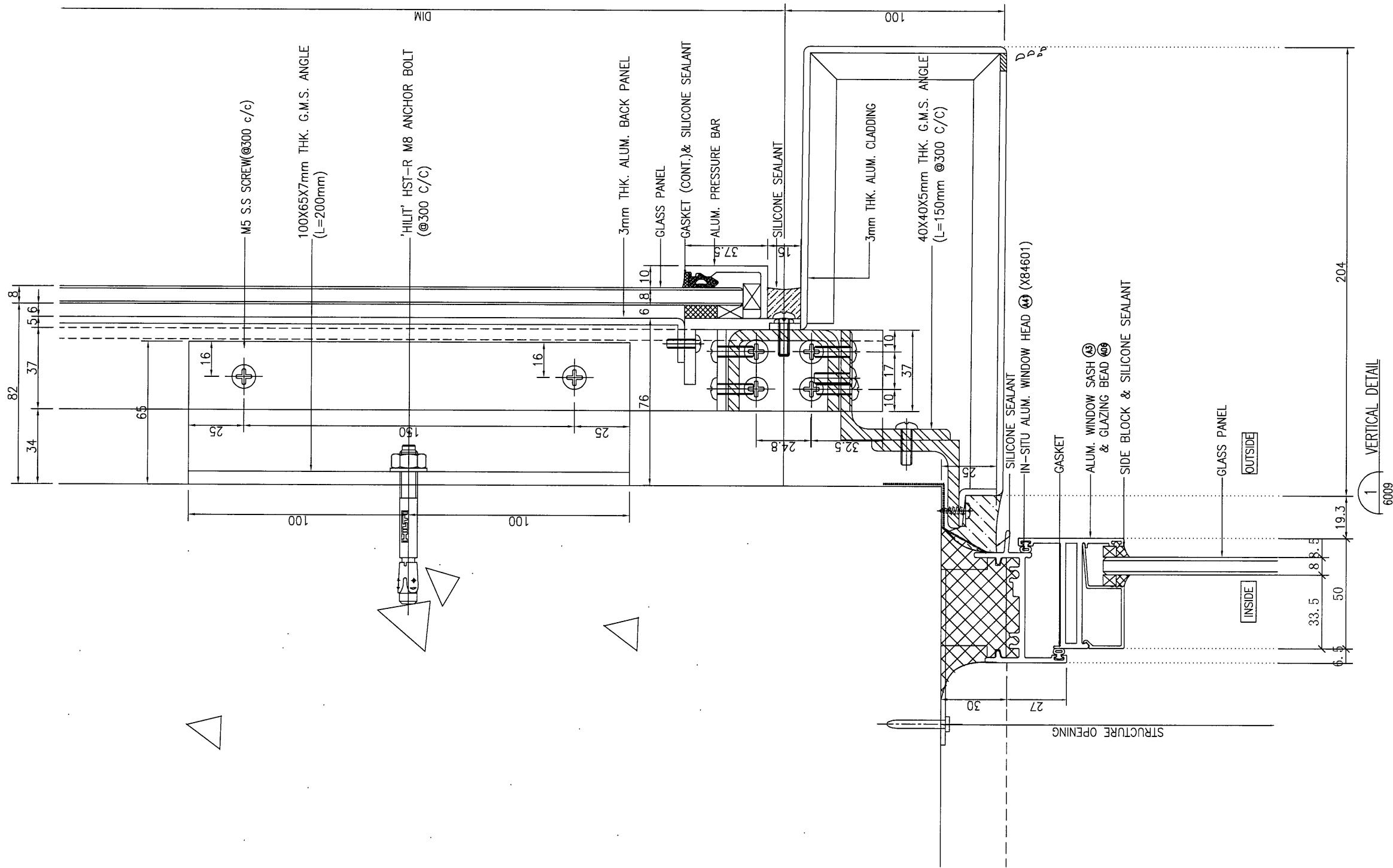
JOB NO. : J-837
 PROJECT :
 URA KWUN TONG TOWN CENTRE
 REDEVELOPMENT (AREA 2 & 3) AT
 NKIL 6514, KWUN TONG, KOWLOON

TITLE :
 TYPICAL DETAIL FOR
 IN-SITU ALUM. WINDOW
 (IN-SITU WINDOW)

DATE : 09-JUL-18 SCALE : 1:2
 DRAWN BY : Zeng CHECKED BY : DW

美特鋁質有限公司
 MIDI ALUMINIUM FABRICATOR LTD.
 Units 6-8, Sunray Industrial Centre, 1/F
 610 Cha Kwo Ling Road, Kowloon
 Tel:23489211-4 Fax:(852)27727666

DWG NO. : J837- IW-6008 REV. : -



B.D. REF :

CLIENT :
 信和置業有限公司
 Sino Land Company Limited

ARCHITECT :
 WONG TUNG & PARTNERS LIMITED
 ARCHITECTS & PLANNERS

MAIN CONTRACTOR :
 CR Construction Company Limited

STRUCTURAL ENGINEER :
 AECOM

FACADE CONSULTANT:

NOTE :
 1. ALL DIMENSIONS ARE IN mm.
 2. ALL ELEVATIONS ARE VIEWED FROM OUTSIDE.
 3. ALL DIMENSIONS TO BE VERIFIED ON SITE BEFORE FABRICATION.

LEGEND :
 X1 --- DETAIL MARK NO.
 X00 --- REFER SHEET NO.
 1. F.F.L. --- FINISHED FLOOR LEVEL
 2. S.F.L. --- STRUCTURAL FLOOR LEVEL
 3. (R) --- REVERSED DETAIL

NO.	DATE	REVISED	BY

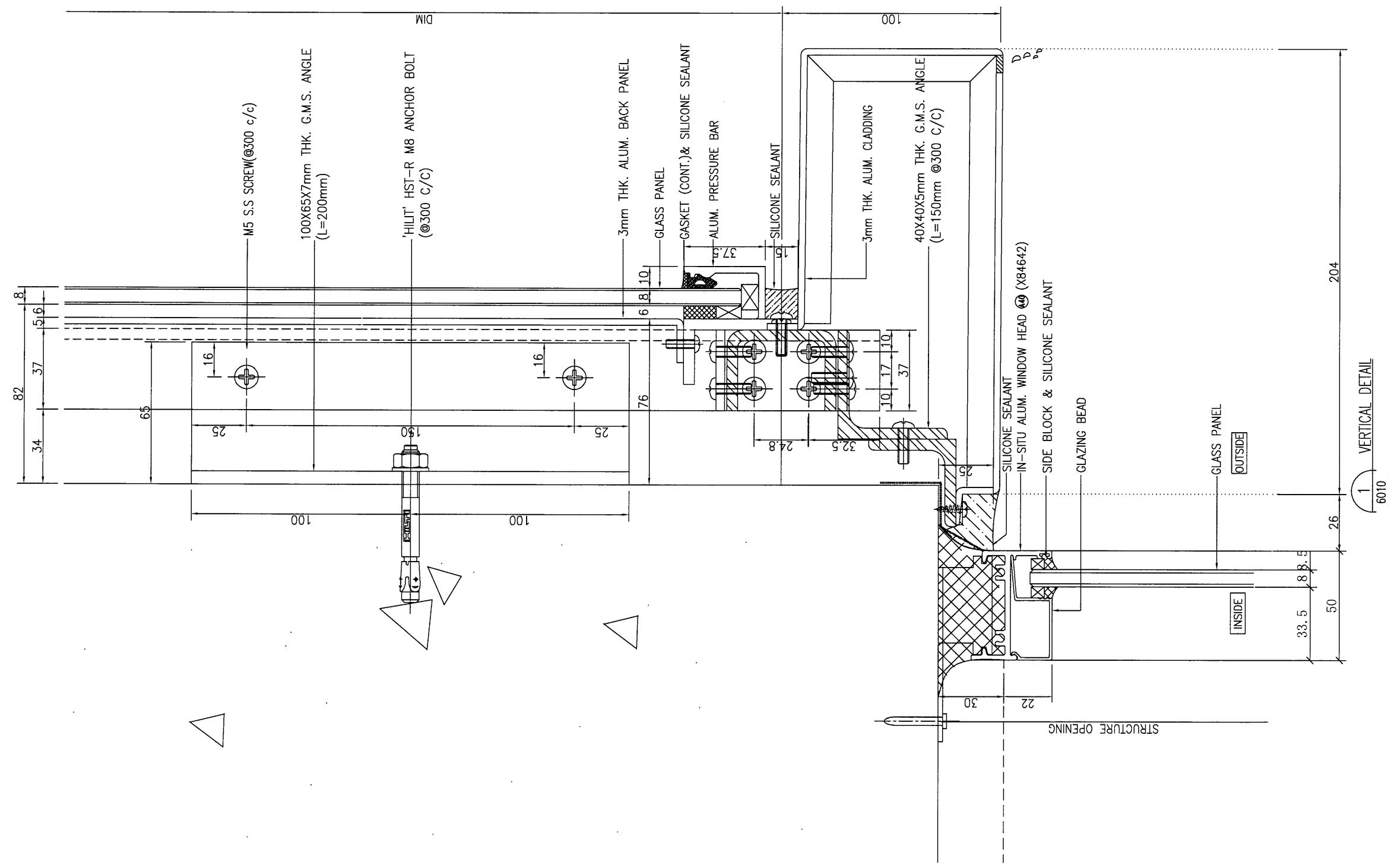
JOB NO. : J-837
 PROJECT :
 URA KWUN TONG TOWN CENTRE
 REDEVELOPMENT (AREA 2 & 3) AT
 NKIL 6514, KWUN TONG, KOWLOON

TITLE :
 TYPICAL DETAIL FOR
 IN-SITU ALUM. WINDOW
 (IN-SITU WINDOW)

DATE : 09-JUL-18 SCALE : 1:2
 DRAWN BY : Zeng CHECKED BY : DW

美特鋁質有限公司
 MIDI ALUMINIUM FABRICATOR LTD.
 Units 6-8, Sunray Industrial Centre, 1/F
 610 Cha Kwo Ling Road, Kowloon
 Tel: 23489211-4 Fax: (852) 2727666


DWG NO. : JB37-IW-6009 REV. : -



B.D. REF :

CLIENT :
 信和置業有限公司
 Sino Land Company Limited

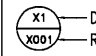
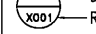
ARCHITECT :
 WONG TUNG & PARTNERS LIMITED
 ARCHITECTS & PLANNERS


MAIN CONTRACTOR :
 CR Construction Company Limited

STRUCTURAL ENGINEER :


FACADE CONSULTANT :

NOTE :
 1. ALL DIMENSIONS ARE IN mm.
 2. ALL ELEVATIONS ARE VIEWED FROM OUTSIDE.
 3. ALL DIMENSIONS TO BE VERIFIED ON SITE BEFORE FABRICATION.

LEGEND :
 DETAIL MARK NO.
 REFER SHEET NO.
 1. F.F.L. --- FINISHED FLOOR LEVEL
 2. S.F.L. --- STRUCTURAL FLOOR LEVEL
 3. (R) --- REVERSED DETAIL

NO.	DATE	REVISED	BY

JOB NO. : J-837
 PROJECT :
 URA KWUN TONG TOWN CENTRE
 REDEVELOPMENT (AREA 2 & 3) AT
 NKIL 6514, KWUN TONG, KOWLOON

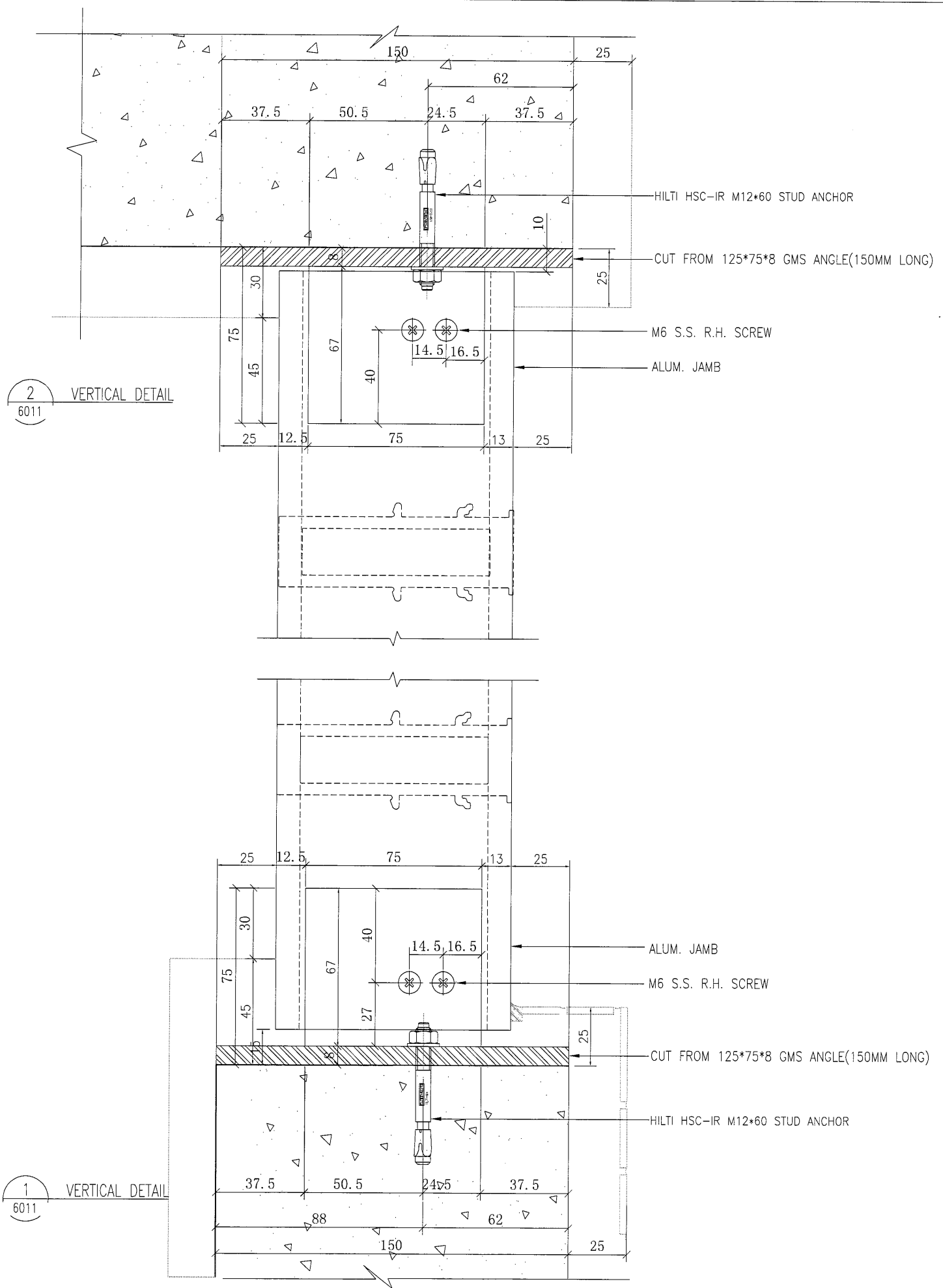
TITLE :
 TYPICAL DETAIL FOR
 IN-SITU ALUM. WINDOW
 (IN-SITU WINDOW)

DATE : 09-JUL-18 SCALE : 1:2
 DRAWN BY : Zeng CHECKED BY : DW

 美特鋁質有限公司
 MIDI ALUMINUM FABRICATOR LTD.
 Units 6-8, Sunray Industrial Centre, 1/F
 610 Cha Kwo Ling Road, Kowloon
 Tel: 23489211-4 Fax: (852) 27727666

DWG NO. : J837-IW-6010 REV. : -

i/11



2
6011 VERTICAL DETAIL

1
6011 VERTICAL DETAIL

B.D. REF :

CLIENT :
信和置業有限公司
Sino Land Company Limited

ARCHITECT :
WONG TUNG & PARTNERS LIMITED
ARCHITECTS & PLANNERS
WT

MAIN CONTRACTOR :
CR Construction Company Limited

STRUCTURAL ENGINEER :
AECOM

FACADE CONSULTANT:

NOTE :
1. ALL DIMENSIONS ARE IN mm.
2. ALL ELEVATIONS ARE VIEWED FROM OUTSIDE.
3. ALL DIMENSIONS TO BE VERIFIED ON SITE BEFORE FABRICATION.

LEGEND :
 (X1) — DETAIL MARK NO.
 (X001) — REFER SHEET NO.
 1. F.F.L. — FINISHED FLOOR LEVEL
 2. S.F.L. — STRUCTURAL FLOOR LEVEL
 3. (R) — REVERSED DETAIL

NO.	DATE	REVISED	BY

JOB NO. : J-837
 PROJECT :
 URA KWUN TONG TOWN CENTRE
 REDEVELOPMENT (AREA 2 & 3) AT
 NKIL 6514, KWUN TONG, KOWLOON

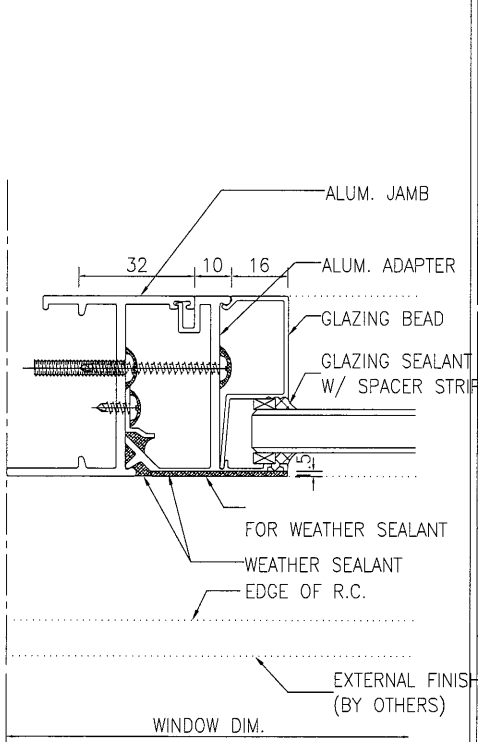
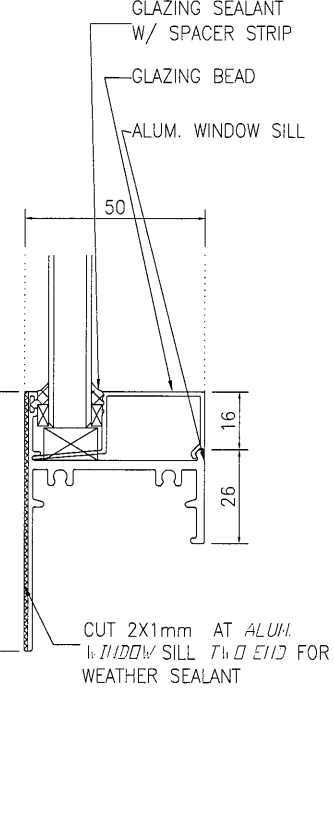
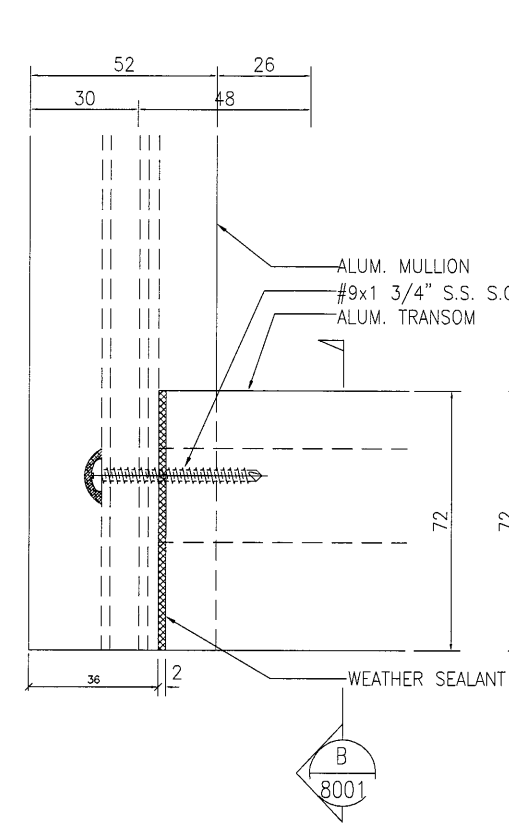
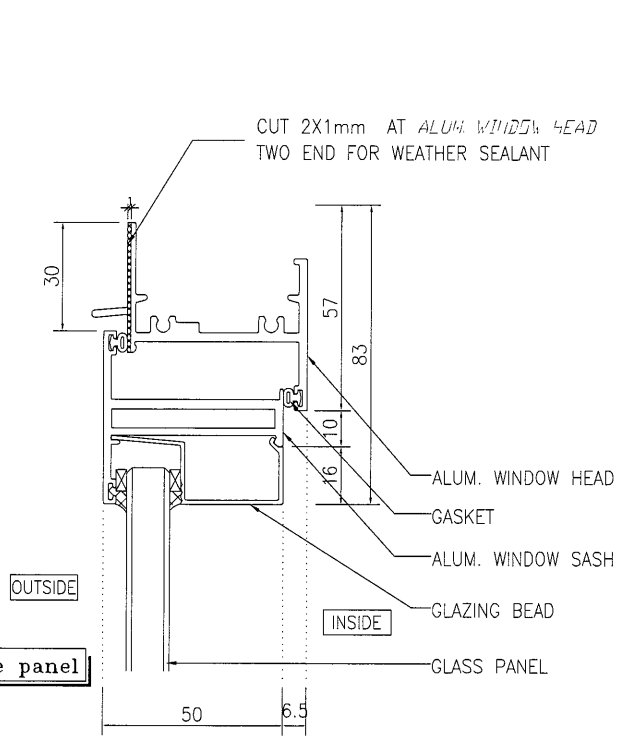
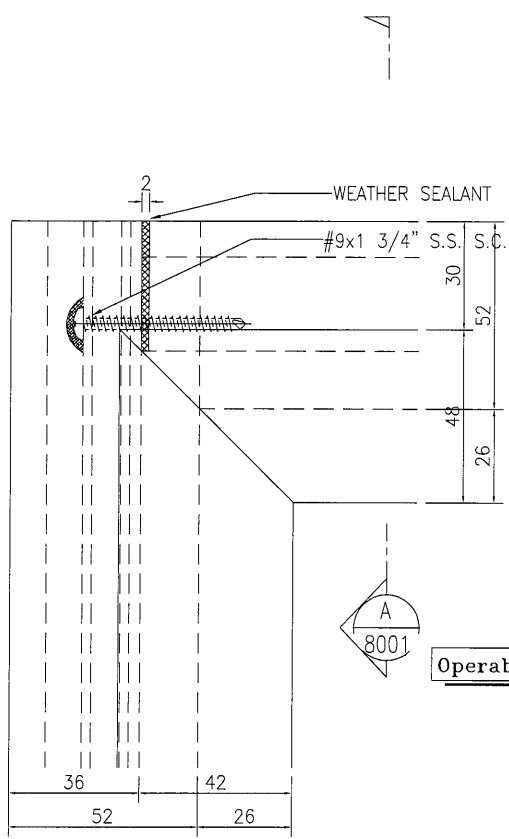
TITLE :
 TYPICAL DETAIL FOR
 IN-SITU ALUM. WINDOW
 (IN-SITU WINDOW)

DATE : 09-JUL-18 SCALE : 1:2

DRAWN BY : Zeng CHECKED BY : DW

美特鋁質有限公司
MIDI ALUMINIUM FABRICATOR LTD.
 Units 6-8, Sunray Industrial Centre, 1/F
 610 Cha Kwo Ling Road, Kowloon
 Tel:23489211-4 Fax:(852)27727666

DWG NO. : J837-IW-6011 REV. : -



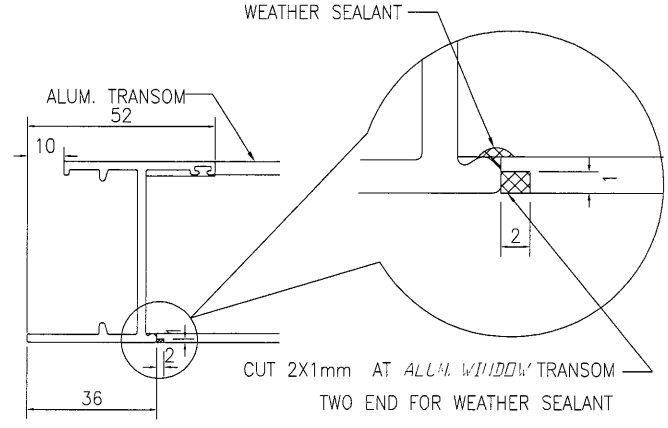
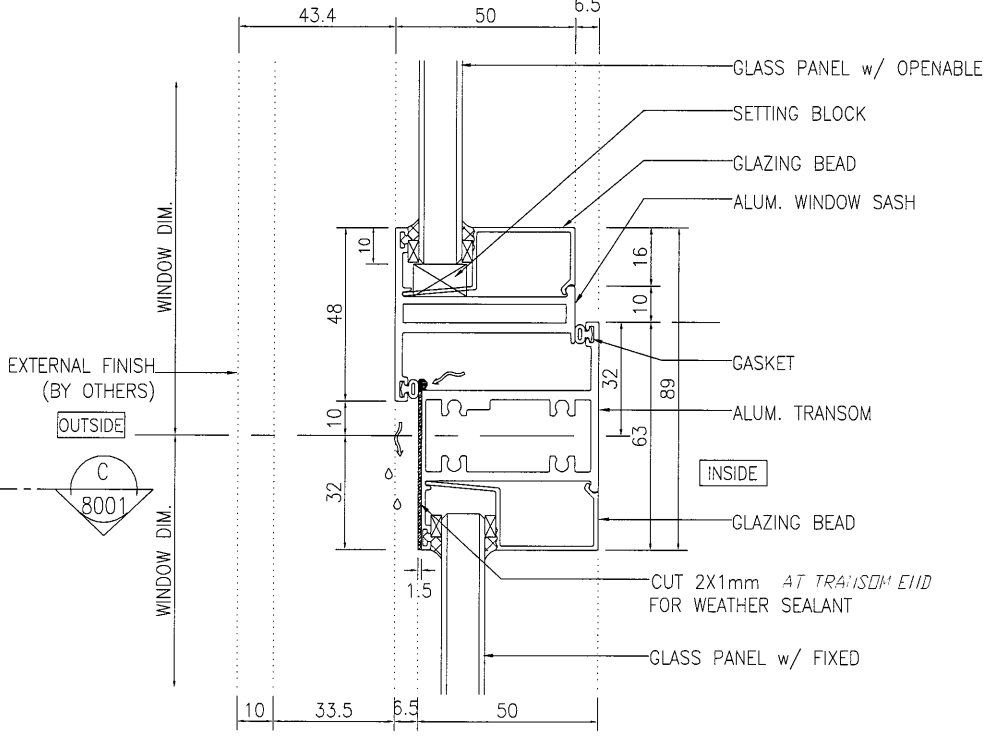
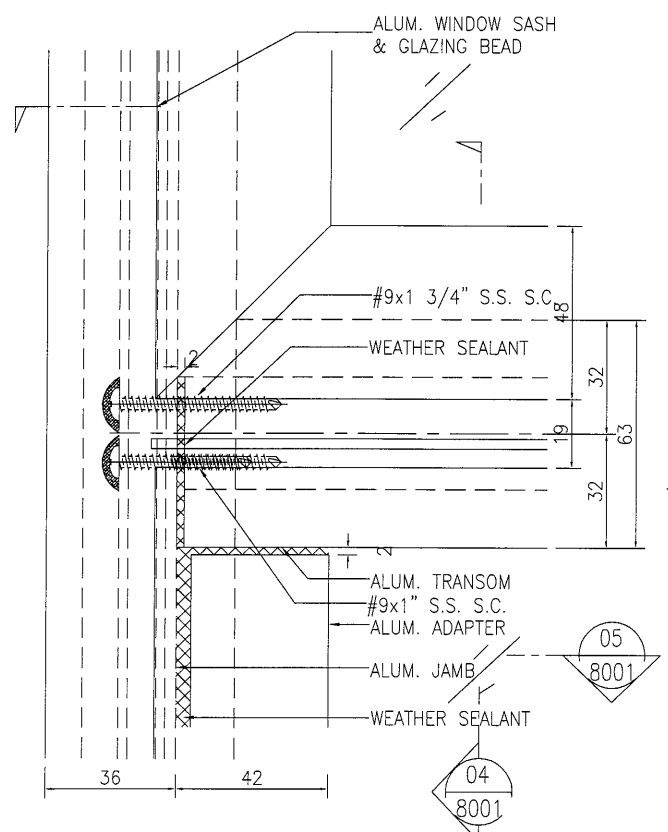
1 HORIZONTAL DETAIL
8001 Mullion & Transom Fixing Detail

A HORIZONTAL DETAIL
8001 Mullion & Transom Fixing Detail

2 HORIZONTAL DETAIL
8001 Mullion & Transom Fixing Detail

B HORIZONTAL DETAIL
8001 Mullion & Transom Fixing Detail

5 VERTICAL DETAIL
8001 Mullion & Transom Fixing Detail



3 FRONT VIEW
8001 Mullion & Transom Fixing Detail

4 FRONT VIEW
8001 Mullion & Transom Fixing Detail

C VERTICAL DETAIL
8001 Mullion & Transom Fixing Detail

B.D. REF :

CLIENT :
信和置業有限公司
Sino Land Company Limited

ARCHITECT :
WONG TUNG & PARTNERS LIMITED
ARCHITECTS & PLANNERS

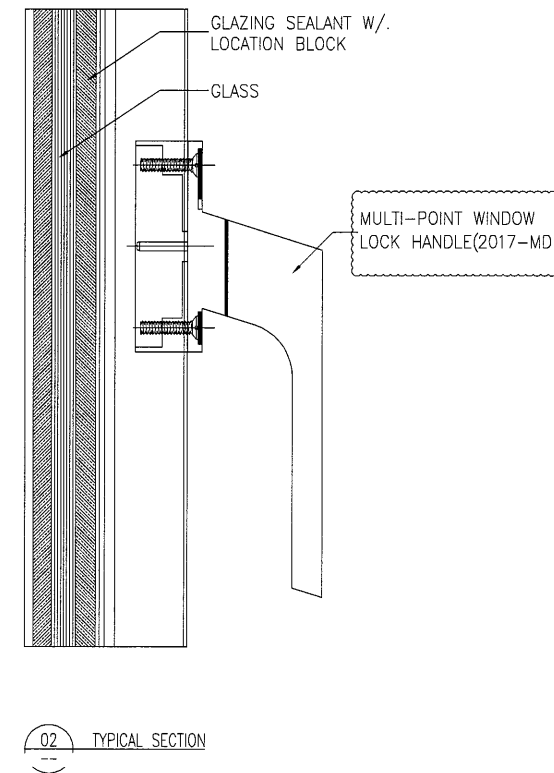
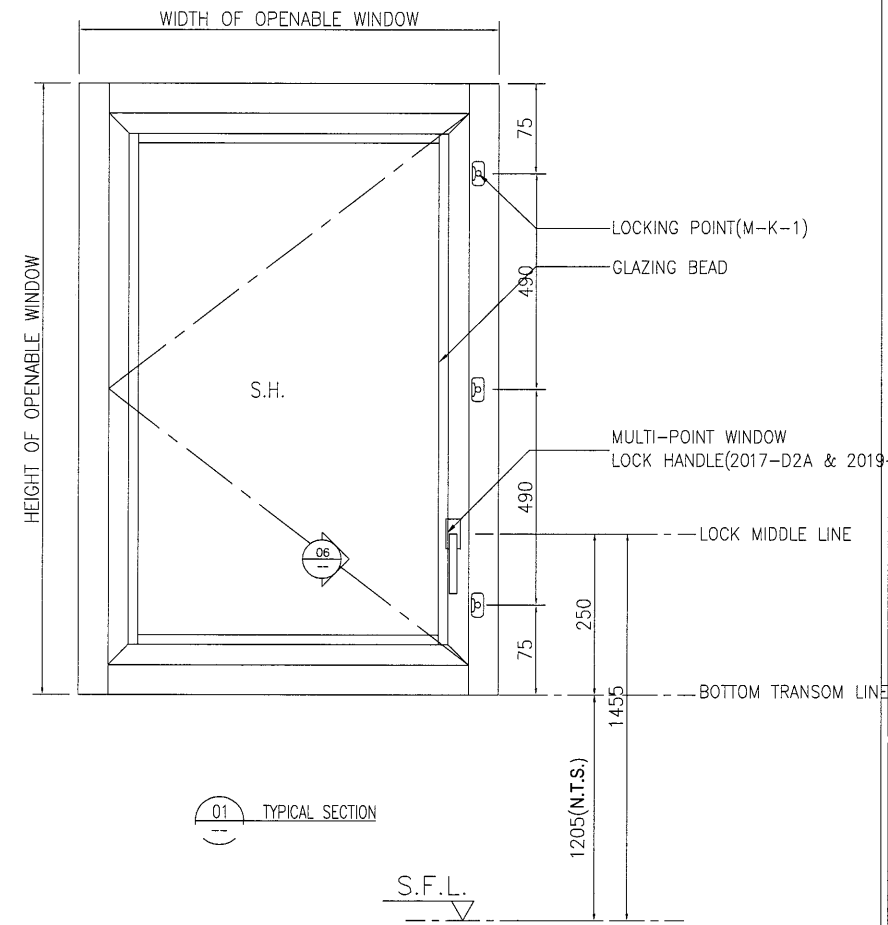
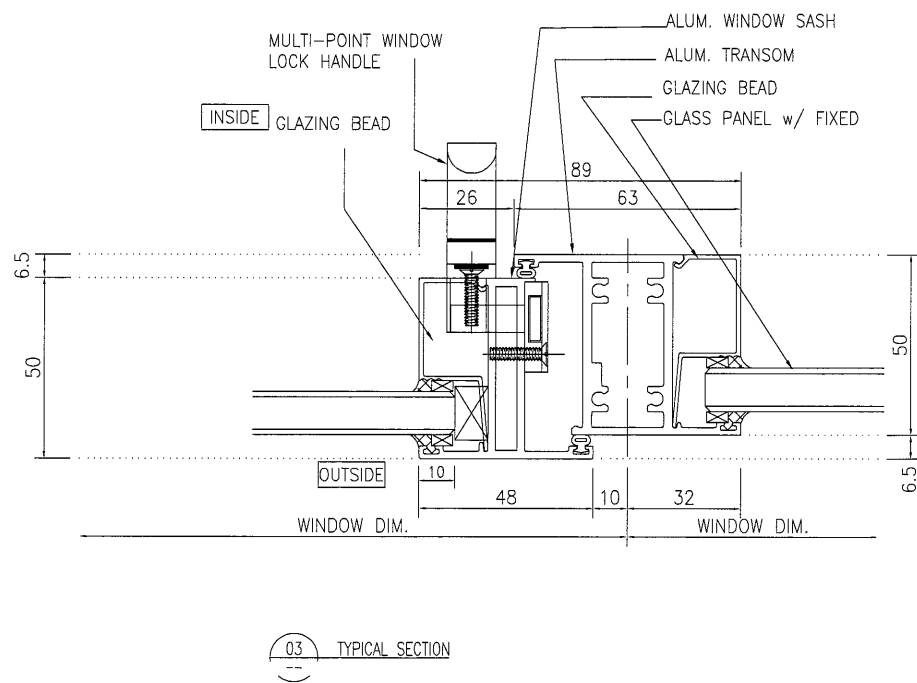
MAIN CONTRACTOR :
CR Construction Company Limited

STRUCTURAL ENGINEER :
AECOM

FACADE CONSULTANT :

- NOTE :
- ALL DIMENSIONS ARE IN mm.
 - ALL ELEVATIONS ARE VIEWED FROM OUTSIDE.
 - ALL DIMENSIONS TO BE VERIFIED ON SITE BEFORE FABRICATION.
- LEGEND :
- X1 - DETAIL MARK NO.
 - X001 - REFER SHEET NO.
- F.F.L. -- FINISHED FLOOR LEVEL
 - S.F.L. -- STRUCTURAL FLOOR LEVEL
 - (R) -- REVERSED DETAIL

NO.	DATE	REVISED	BY
JOB NO. : J-837			
PROJECT : URA KWUN TONG TOWN CENTRE REDEVELOPMENT (AREA 2 & 3) AT NKIL 6514, KWUN TONG, KOWLOON			
TITLE : ALUM. WINDOW SECTION FIXING DETAIL			
DATE : 09-JUL-18		SCALE : 1:2	
DRAWN BY : Zeng		CHECKED BY : DW	
MIDI ALUMINIUM FABRICATOR LTD. Units 6-8, Sunray Industrial Centre, 1/F 610 Cha Kwa Ling Road, Kowloon Tel: 23489211-4 Fax: (852) 2772666			
DWG NO. : J837-IW-8001			REV. : -



B.D. REF :

CLIENT :
 信和置業有限公司
 Sino Land Company Limited

ARCHITECT :
 WONG TUNG & PARTNERS LIMITED
 ARCHITECTS & PLANNERS

MAIN CONTRACTOR :
 CR Construction Company Limited

STRUCTURAL ENGINEER :
 AECOM

FACADE CONSULTANT:

NOTE :
 1. ALL DIMENSIONS ARE IN mm.
 2. ALL ELEVATIONS ARE VIEWED FROM OUTSIDE.
 3. ALL DIMENSIONS TO BE VERIFIED ON SITE BEFORE FABRICATION.

LEGEND :
 X1 --- DETAIL MARK NO.
 X001 --- REFER SHEET NO.
 1. F.F.L. --- FINISHED FLOOR LEVEL
 2. S.F.L. --- STRUCTURAL FLOOR LEVEL
 3. --- REVERSED DETAIL

A	2018/09/12	BY ARCHITECT COMMENT	Zeng
NO.	DATE	REVISED	BY

JOB NO. : J-837
 PROJECT :
 URA KWUN TONG TOWN CENTRE
 REDEVELOPMENT (AREA 2 & 3) AT
 NKIL 6514, KWUN TONG, KOWLOON

TITLE :
 ALUM. WINDOW SECTION
 TYPICAL LOCK & HINGES DETAIL

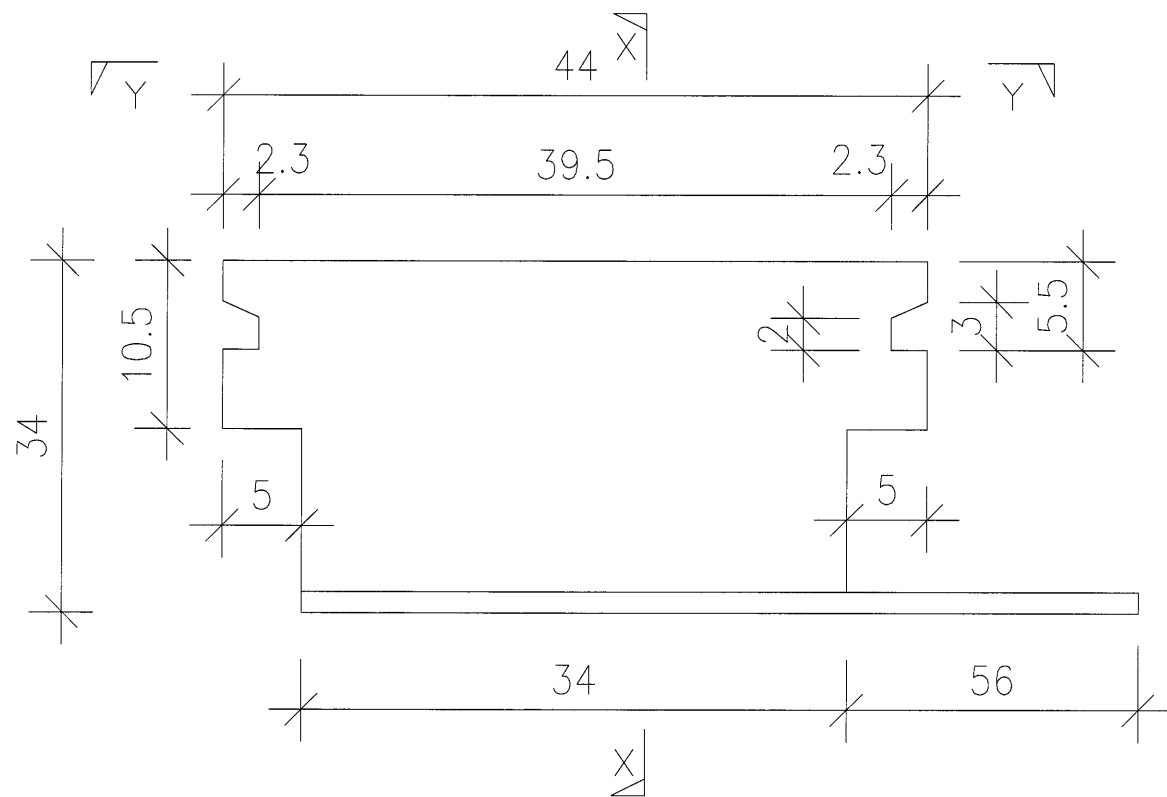
DATE : 09-JUL-18 SCALE : 1:2

DRAWN BY : Zeng CHECKED BY : DW

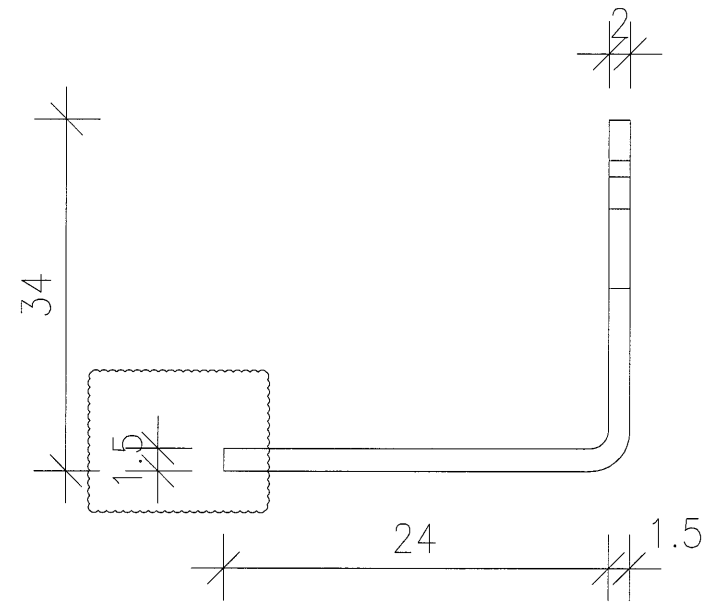
美特鋁質有限公司
 MIDI ALUMINIUM FABRICATOR LTD.
 Units 6-8, Sunray Industrial Centre, 1/F
 610 Cha Kwo Ling Road, Kowloon
 Tel:23489211-4 Fax:(852)27727666

DWG NO. : J837-IW-8002 REV. : A

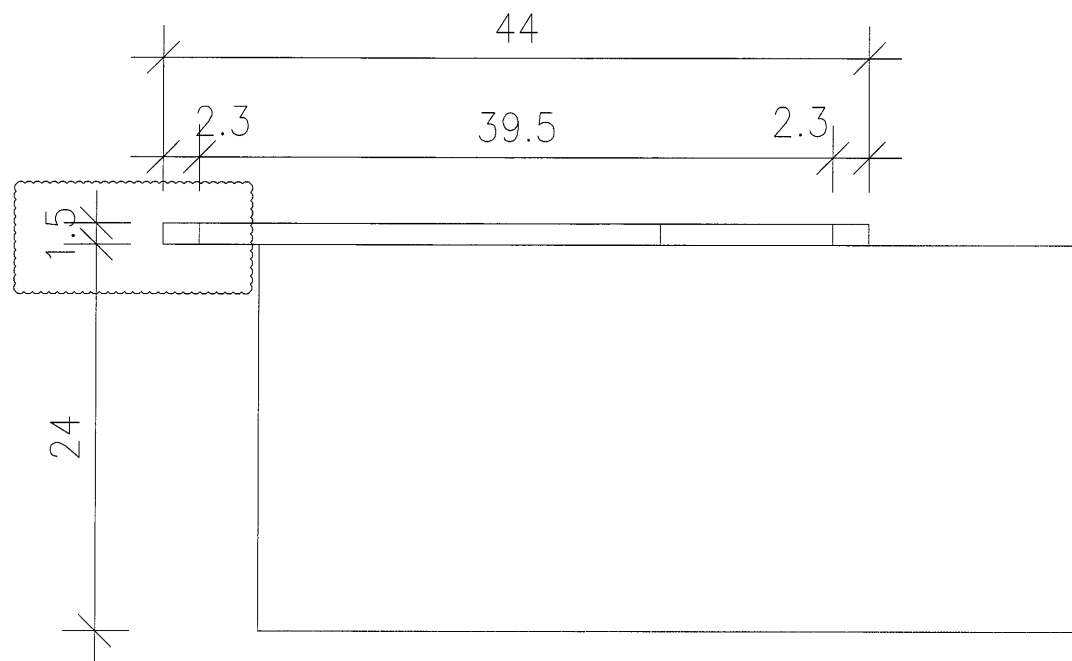
G.M.S. FIXING LUG DETAIL



TYPICAL DETAIL FOR G.M.S. FIXING LUG
(2:1)



SECTION "X-X"
(2:1)



SECTION "Y-Y"
(2:1)

B.D. REF :

CLIENT :

信和置業有限公司
Sino Land Company Limited

ARCHITECT :

WONG TUNG & PARTNERS LIMITED
ARCHITECTS & PLANNERS
WT

MAIN CONTRACTOR :

CR Construction Company Limited

STRUCTURAL ENGINEER :

AECOM

FACADE CONSULTANT :

NOTE :

1. ALL DIMENSIONS ARE IN mm.
2. ALL ELEVATIONS ARE VIEWED FROM OUTSIDE.
3. ALL DIMENSIONS TO BE VERIFIED ON SITE BEFORE FABRICATION.

LEGEND :

- (X1) — DETAIL MARK NO.
- (X001) — REFER SHEET NO.

1. F.F.L. -- FINISHED FLOOR LEVEL
2. S.F.L. -- STRUCTURAL FLOOR LEVEL
3. (P) -- REVERSED DETAIL

B	2019/1/30	BY ARCHITECT COMMENT	Zeng
A	2018/10/9	BY ARCHITECT COMMENT	Zeng
NO.	DATE	REVISED	BY

JOB NO. : J-837

PROJECT :
URA KWUN TONG TOWN CENTRE
REDEVELOPMENT (AREA 2 & 3) AT
NKIL 6514, KWUN TONG, KOWLOON

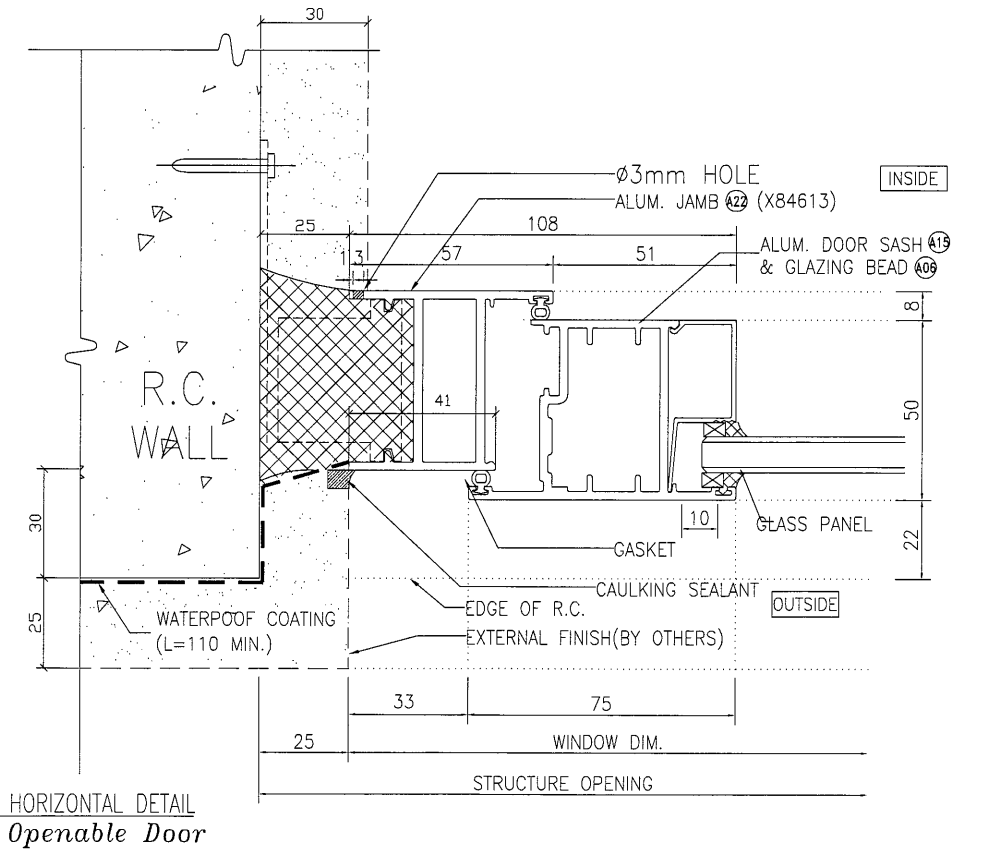
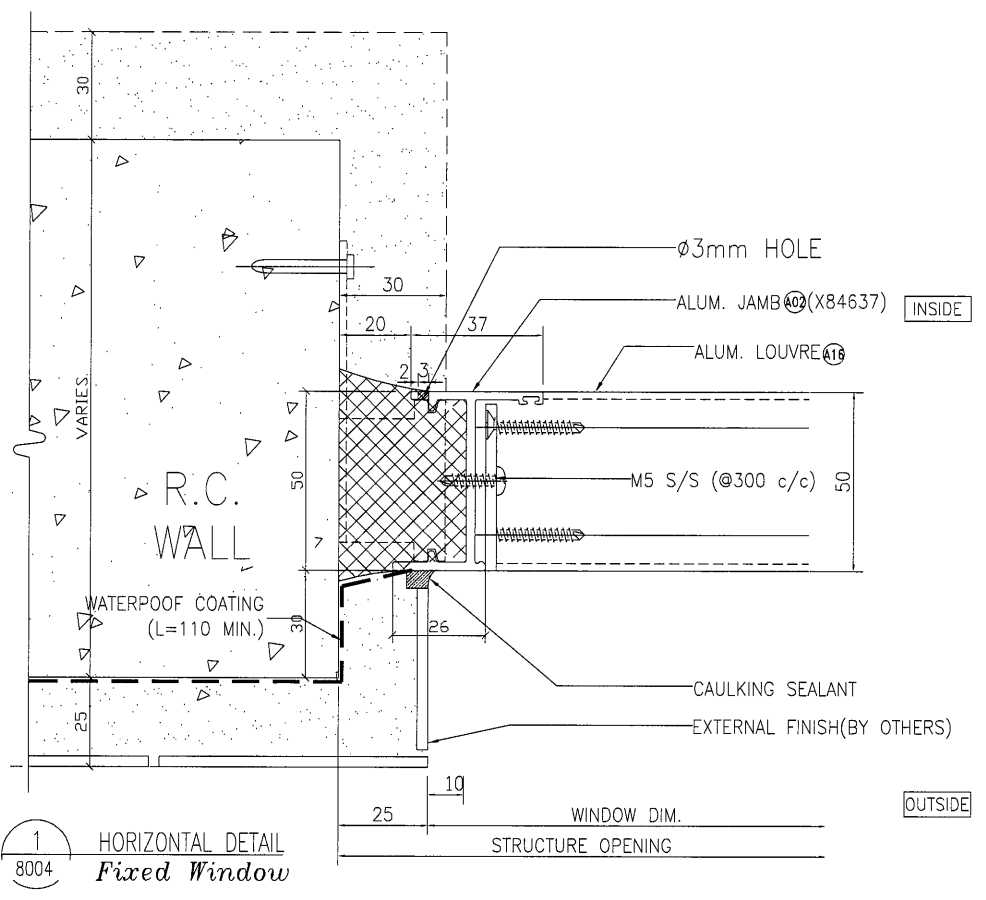
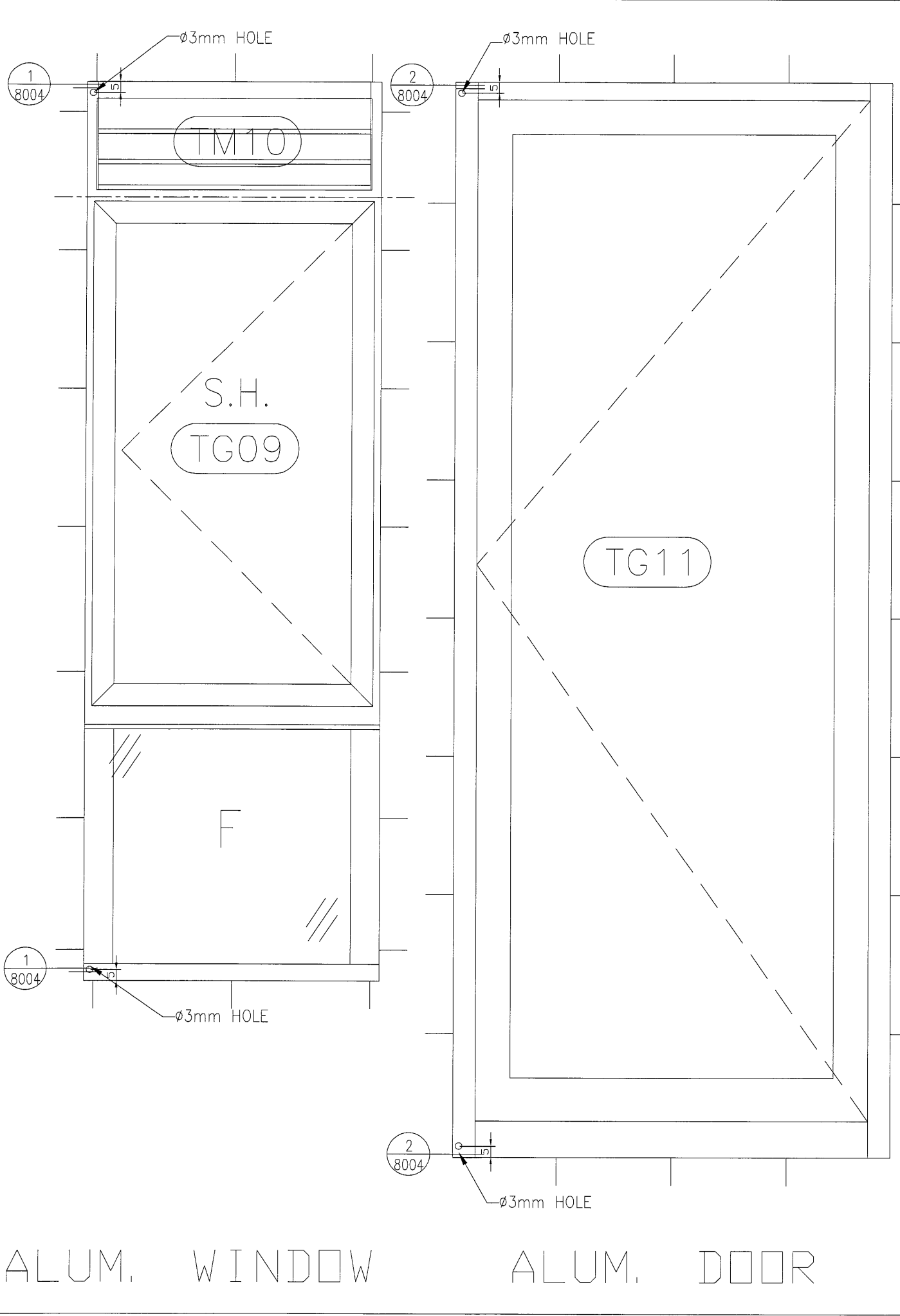
TITLE :
G.M.S. FIXING LUG
TYPICAL DETAIL

DATE : 09-JUL-18 SCALE : 1:2

DRAWN BY : Zeng CHECKED BY : DW

美特鋁質有限公司
MIDI ALUMINIUM FABRICATOR LTD.
Units 6-8, Sunray Industrial Centre, 1/F
610 Cha Kwo Ling Road, Kowloon
Tel:23489211-4 Fax:(852)27727666

DWG NO. : J837-IW-8003 REV. : B



B.D. REF :

CLIENT :
信和置業有限公司
Sino Land Company Limited

ARCHITECT :
WONG TUNG & PARTNERS LIMITED
ARCHITECTS & PLANNERS
WT

MAIN CONTRACTOR :
CR Construction Company Limited

STRUCTURAL ENGINEER :
AECOM

FACADE CONSULTANT:

NOTE :
1. ALL DIMENSIONS ARE IN mm.
2. ALL ELEVATIONS ARE VIEWED FROM OUTSIDE.
3. ALL DIMENSIONS TO BE VERIFIED ON SITE BEFORE FABRICATION.

LEGEND :
X1 --- DETAIL MARK NO.
X001 --- REFER SHEET NO.
1. F.F.L --- FINISHED FLOOR LEVEL
2. S.F.L --- STRUCTURAL FLOOR LEVEL
3. (R) --- REVERSED DETAIL

B	2018/11/20	BY ARCHITECT COMMENT	Zeng
A	2018/09/27	BY ARCHITECT COMMENT	Zeng
NO.	DATE	REVISED	BY

JOB NO. : J-837
PROJECT :
URA KWUN TONG TOWN CENTRE
REDEVELOPMENT (AREA 2 & 3) AT
NKIL 6514, KWUN TONG, KOWLOON

TITLE :
TYPICAL EARTHING
BONDING DETAILS OF IN SITU

DATE : 09-JUL-18 SCALE : 1:#
DRAWN BY : Zeng CHECKED BY : DW

英特鋁質有限公司
MIDI ALUMINIUM FABRICATOR LTD.
Units 6-8, Sunray Industrial Centre, 1/F
610 Cha Kwo Ling Road, Kowloon
Tel:23489211-4 Fax:(852)27727666

DWG NO. : J837-IW-8004 REV. : B