



工程指示 / 要求簡箋(E.I.)

工程指示編號：EI / 1076 / 19

修改版次：-

工程編號：J - 837

工程名稱：觀塘裕民坊

工程項目：隔音吊趟、門玉窗玉、吸音柱 分判安裝 (大貨) (減 8/F)

收件人：Maggie

發件人：Ant Yeung

日期：21/09/2019

要求提供 / 確認 事項：

- | | | |
|------------------------------------|-------------------------------------|-------------------------------|
| <input type="checkbox"/> 初步鋁料 B.M. | <input type="checkbox"/> 加工拆圖，然後生產 | <input type="checkbox"/> 尺寸表 |
| <input type="checkbox"/> 正式鋁料 B.M. | <input type="checkbox"/> 技術上資料 / 指示 | <input type="checkbox"/> 報價 |
| <input type="checkbox"/> 配件 B.M. | <input type="checkbox"/> 樣辦或貨品說明書 | <input type="checkbox"/> 分判合約 |
| <input type="checkbox"/> 其他：_____ | | |

內容：

請按附件分判安裝隔音吊趟、門玉窗玉、吸音柱

1) 隔音室內吊趟：廠安裝膠板 (已減去 8/F = 973 隻)

2a) 窗玉：廠安裝鋁摺件加膠板，不另判 窗(T1F, T5N)

2b) 門玉：地盆安裝鋁摺件加膠板 (已減去 8/F =114 個) (T5M、N、J 雙 F.D)

3) 吸音柱連天花 (已減去 8/F =76 個) (T5M, T5N)

隔音室內吊趟要覆尺後生產

安裝時間：預 01/04/2020 安裝

最大尺寸 1735W x 2475H，用 Jump lift / 永久 lift 上料

OP 前要全部安裝完成 (2020/05/25 前)

謝謝。

請在 2019 / 10 / 14 前完成上列要求。

附： 2 頁 + shop dwg 2019.09.16

以上項目為：

- 原合約工程包 原合約工程加 / 減賬 新工程報價

分發東莞各部門：

- () 生產技術總監 連附件 () 技術部 連附件 永林 () 生產部 連附件 () 機械設計部 連附件
 () 採購部 連附件 () 生產統籌部 連附件 梅
 () 質檢部 連附件 () 會計部 連附件 () 報關組 連附件 () 其他 小羅 連附件

分發香港各部門：

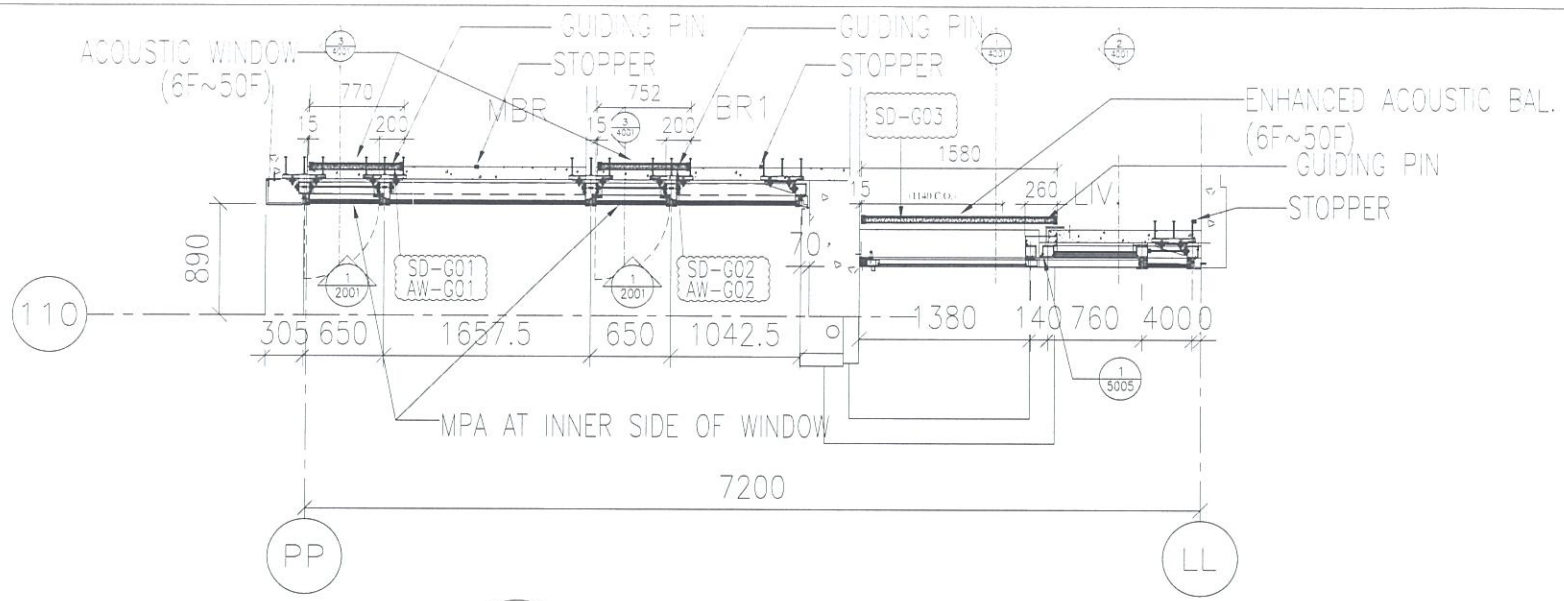
- () 行政部 連附件 () 會計部 連附件 () 統籌部 連附件 () 工程部地盤科文 連附件 炳哥 / 民 / 豪
 () 採購部 連附件 () QS 部 連附件 () 維修部 連附件 () 其他 _____ 連附件

傳遞編號：

發件人簽署：

項目經理簽署：

		已減8/F				
吊趟	吊趟	973	隻	2662	m2	
門玉	鋁連摺件連膠孔板	114	隻	263	m2	
		面積	合共	2925	m2	
吸音柱	吸音柱連天花			76		
			直米	281.2	米	



1 PART PLAN
3101 (T1-F) 6/F~50/F

B.D. REF :

CLIENT :
信和置業有限公司
Sino Land Company Limited

ARCHITECT :
WONG TUNG & PARTNERS LIMITED
ARCHITECTS & PLANNERS
WT

MAIN CONTRACTOR :
CR Construction Company Limited

STRUCTURAL ENGINEER :
AECOM

FACADE CONSULTANT:
AECOM

NOTE :

1. ALL DIMENSIONS ARE IN mm.
2. ALL ELEVATIONS ARE VIEWED FROM OUTSIDE.
3. ALL DIMENSIONS TO BE VERIFIED ON SITE BEFORE FABRICATION.

LEGEND :

(X1) — DETAIL MARK NO.
(X001) — REFER SHEET NO.

1. F.F.L. — FINISHED FLOOR LEVEL
2. S.F.L. — STRUCTURAL FLOOR LEVEL
3. (R) — REVERSED DETAIL

NO	DATE	REVISED	BY
----	------	---------	----

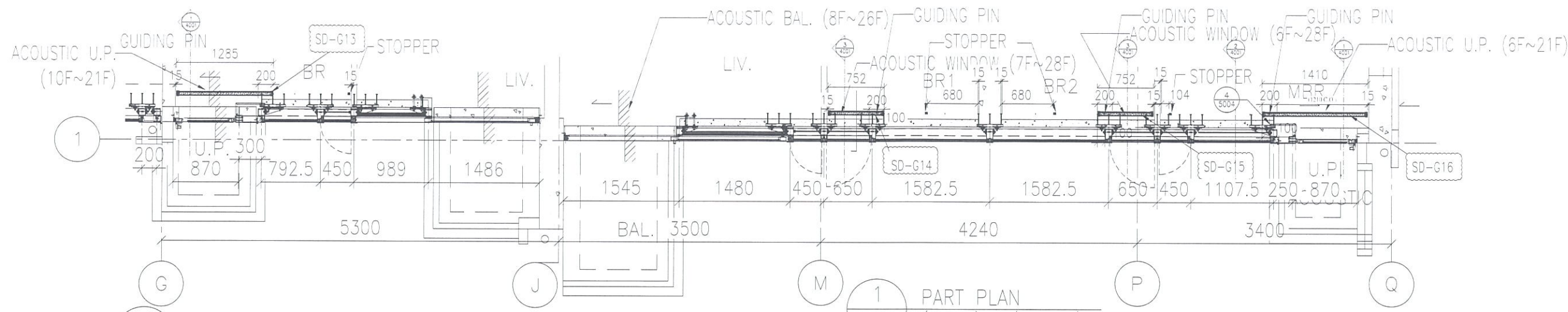
JOB NO. : J-837
PROJECT :
URA KWUN TONG TOWN CENTRE
REDEVELOPMENT (AREA 2 & 3) AT
NKIL 6514, KWUN TONG, KWLOON

TITLE :
PART PLAN
OF ACOUSTIC SLIDING
FOR TOWER 1

DATE : 18-DEC-18 SCALE : 1:30 (A1)
DRAWN BY : ARBUT CHECKED BY : -

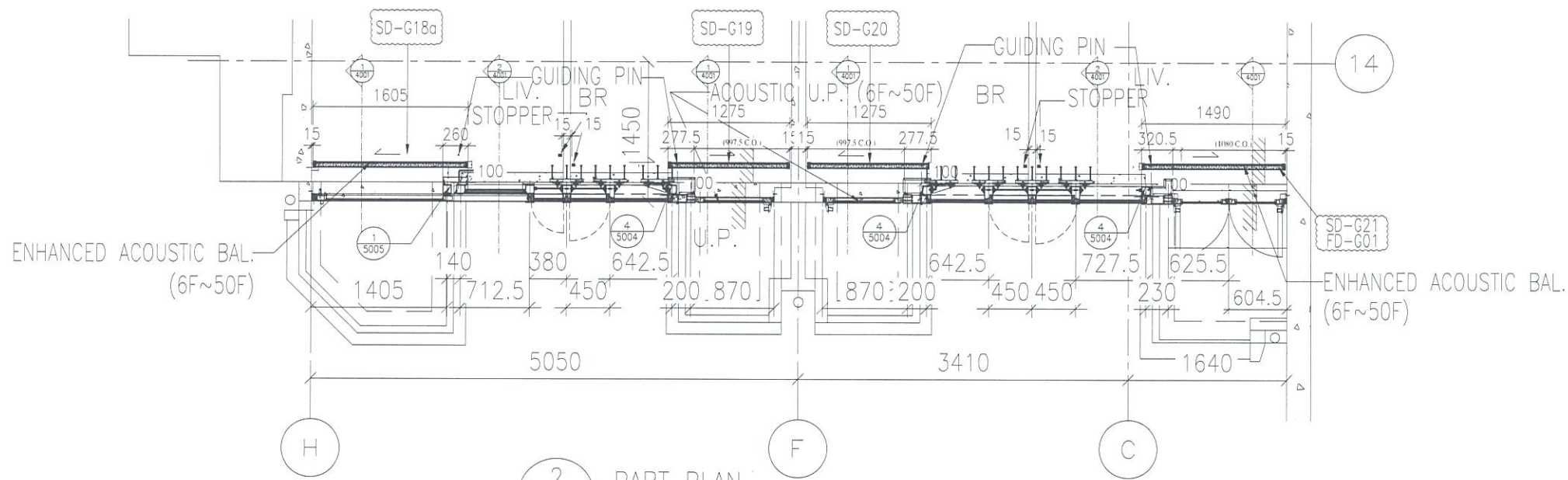
美特鋁質有限公司
MIDI ALUMINIUM FABRICATOR LTD.
Units 6-8, Sunray Industrial Centre, 1/F
610 Cha Kwo Ling Road, Kowloon
Tel: 23489211-4 Fax: (852) 27727666

DWG NO. : J837-AS-3101 REV. : A

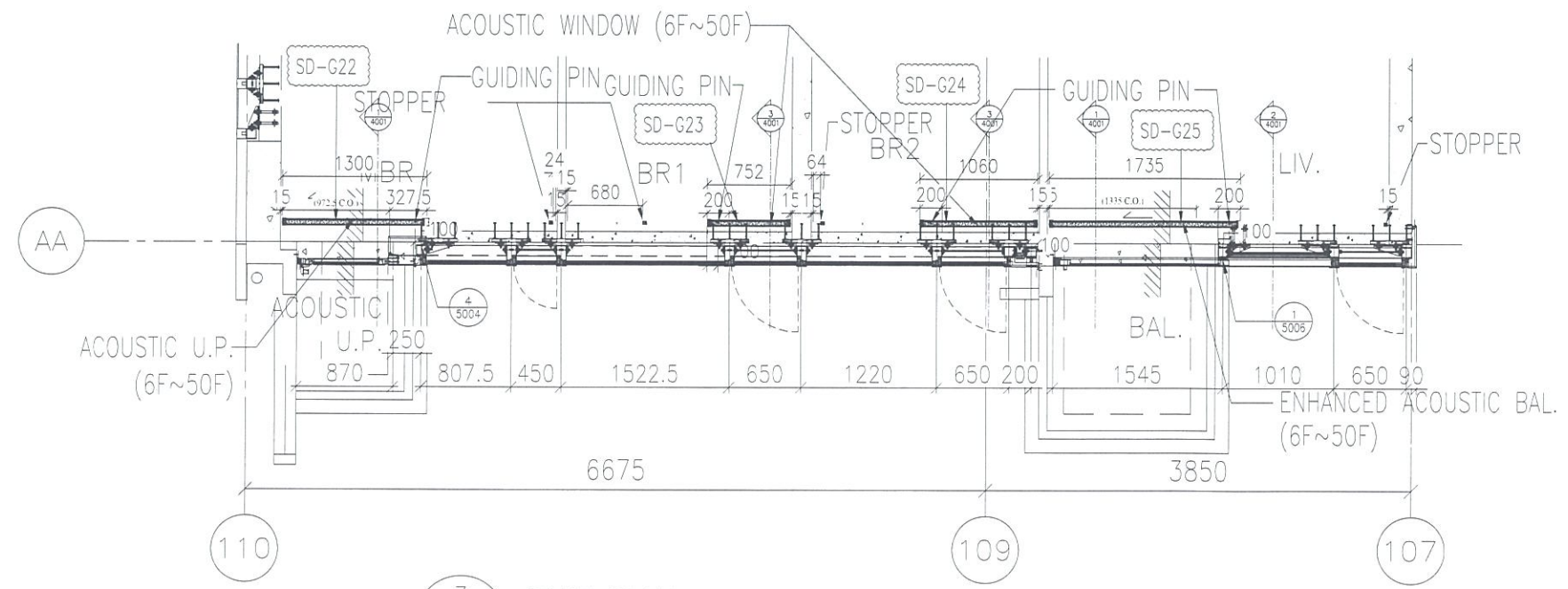


1A PART PLAN
3501 (T5-B) 10/F~21/F

1 PART PLAN
3501 (T5-A) 6/F~28/F



2 PART PLAN
3501 (T5-JK) 6/F~50/F



3 PART PLAN
3501 (T5-L) 6/F~50/F

B.O. REF :
CLIENT :
信和置業有限公司
Sino Land Company Limited

ARCHITECT :
WONG TUNG & PARTNERS LIMITED
ARCHITECTS & PLANNERS

MAIN CONTRACTOR :
CR Construction Company Limited

STRUCTURAL ENGINEER :
AECOM

FACADE CONSULTANT :
AECOM

NOTE :
1. ALL DIMENSIONS ARE IN mm.
2. ALL ELEVATIONS ARE VIEWED FROM OUTSIDE.
3. ALL DIMENSIONS TO BE VERIFIED ON SITE BEFORE FABRICATION.

LEGEND :
X1 - DETAIL MARK NO.
X001 - REFER SHEET NO.

1. F.F.L. -- FINISHED FLOOR LEVEL
2. S.F.L. -- STRUCTURAL FLOOR LEVEL
3. (R) -- REVERSED DETAIL

NO	DATE	REVISED	BY
JOB NO. : J-837			
PROJECT : URA KWUN TONG TOWN CENTRE REDEVELOPMENT (AREA 2 & 3) AT NKIL 6514, KWUN TONG, KWLOON			
TITLE : PART PLAN OF ACOUSTIC SLIDING FOR TOWER 5			
DATE : 18-DEC-18		SCALE : 1:30 (A1)	
DRAWN BY : ARBUT		CHECKED BY : -	
<p>MIDI ALUMINIUM FABRICATOR LTD. Units 6-8, Sunray Industrial Centre, 1/F 610 Cha Kwa Ling Road, Kowloon Tel: 23489211-4 Fax: (852) 2727666</p>			
DWG NO. : J837-AS-3501			REV. : A

B.D. REF :

CLIENT :
信和置業有限公司
Sino Land Company Limited

ARCHITECT :
WONG TUNG & PARTNERS LIMITED
ARCHITECTS & PLANNERS
WT

MAIN CONTRACTOR :
CR Construction Company Limited

STRUCTURAL ENGINEER :
AECOM

FACADE CONSULTANT:
AECOM

NOTE :
1. ALL DIMENSIONS ARE IN mm.
2. ALL ELEVATIONS ARE VIEWED FROM OUTSIDE.
3. ALL DIMENSIONS TO BE VERIFIED ON SITE BEFORE FABRICATION.
LEGEND :
X1 --- DETAIL MARK NO.
X001 --- REFER SHEET NO.
1. F.F.L. --- FINISHED FLOOR LEVEL
2. S.F.L. --- STRUCTURAL FLOOR LEVEL
3. (R) --- REVERSED DETAIL

NO	DATE	REVISED	BY

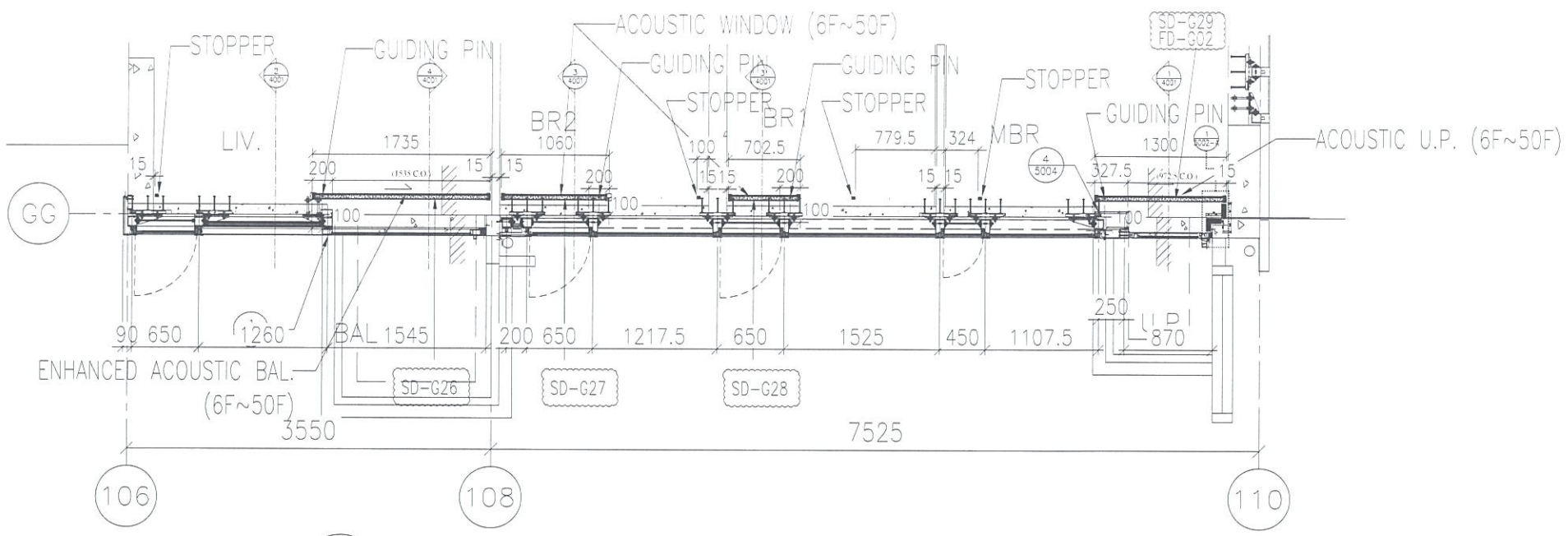
JOB NO. : J-837
PROJECT :
URA KWUN TONG TOWN CENTRE
REDEVELOPMENT (AREA 2 & 3) AT
NKIL 6514, KWUN TONG, KWLOON

TITLE :
PART PLAN
OF ACOUSTIC SLIDING
FOR TOWER 5

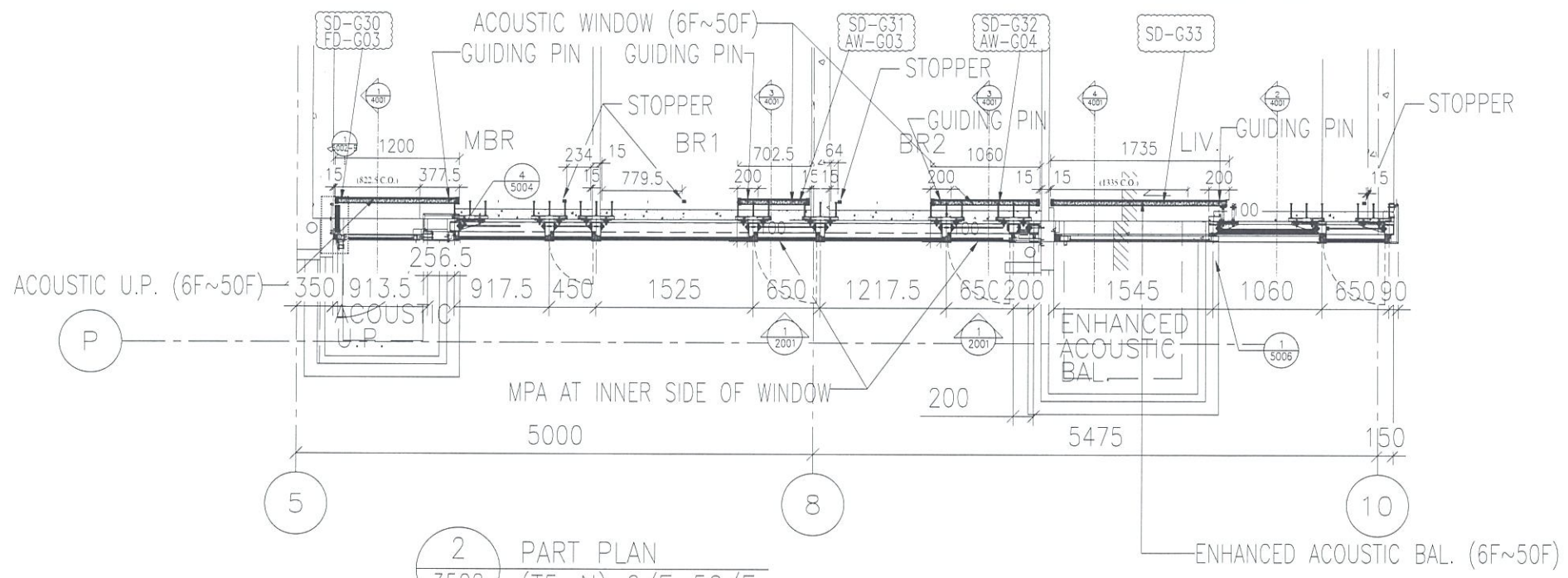
DATE : 18-DEC-18 SCALE : 1:30 (A1)
DRAWN BY : ARBUT CHECKED BY : -

美特鋁質有限公司
MIDI ALUMINIUM FABRICATOR LTD.
Units 6-8, Sunray Industrial Centre, 1/F
610 Cha Kwo Ling Road, Kowloon
Tel: 23489211-4 Fax: (852) 2727666

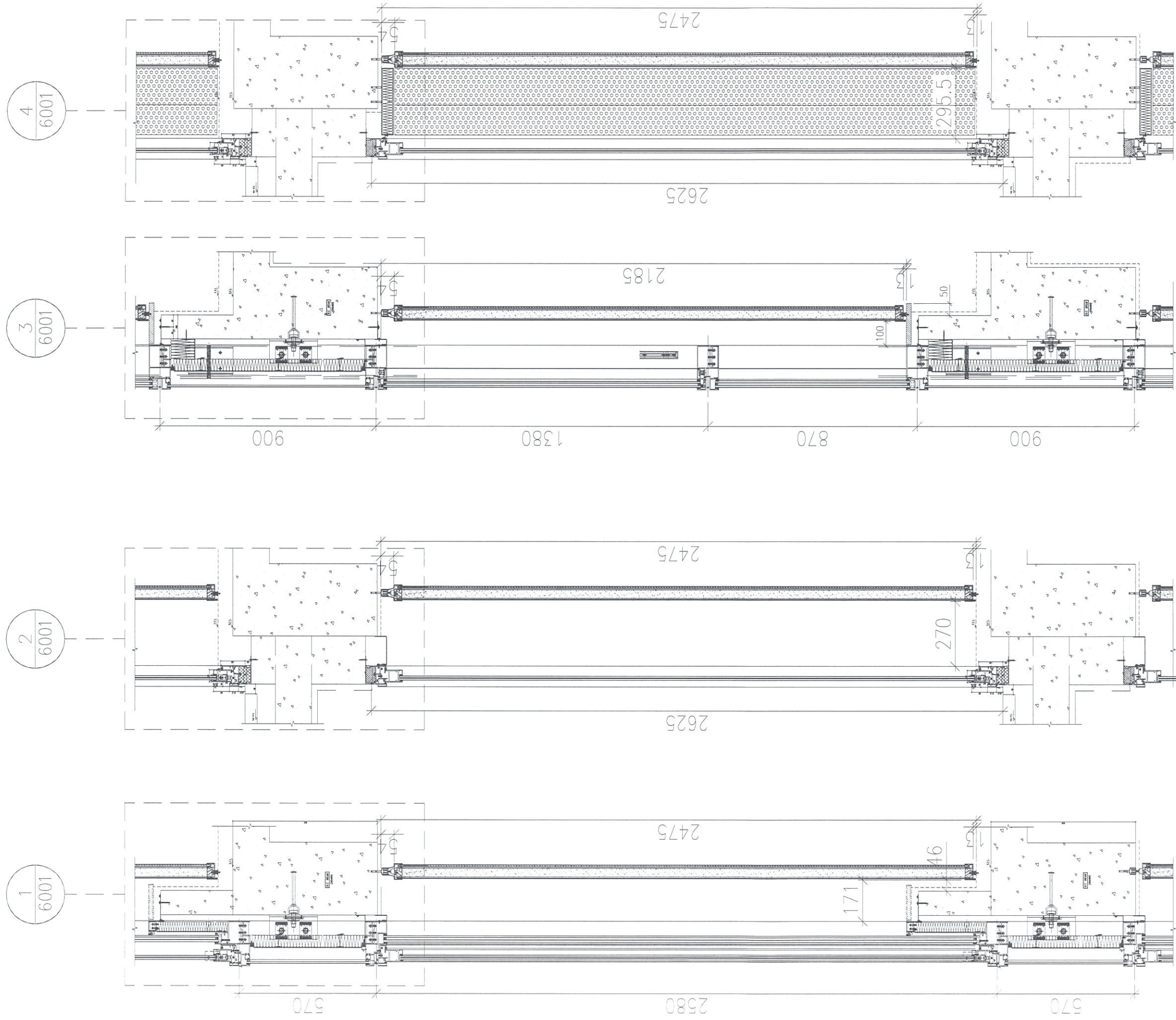
DWG NO. : J837-AS-3502 REV. : A



1 PART PLAN
3502 (T5-M) 6/F~50/F



2 PART PLAN
3502 (T5-N) 6/F~50/F



1
6001

2
6001

3
6001

4
6001

1 PART SECTION
4001 FOR S.D. AND F.D.

2 PART SECTION
4001 FOR S.D. AND F.D.

3 PART SECTION
4001 FOR WINDOW

4 PART SECTION
4001 (for T5-M/N only)

B.D. REF :

CLIENT :
信和置業有限公司
Sino Land Company Limited

ARCHITECT :
WONG TUNG & PARTNERS LIMITED
ARCHITECTS & PLANNERS
WT

MAIN CONTRACTOR :
CR Construction Company Limited

STRUCTURAL ENGINEER :
AECOM

FACADE CONSULTANT:
AECOM

NOTE :
1. ALL DIMENSIONS ARE IN mm.
2. ALL ELEVATIONS ARE VIEWED FROM OUTSIDE.
3. ALL DIMENSIONS TO BE VERIFIED ON SITE BEFORE FABRICATION.

LEGEND :
X1 --- DETAIL MARK NO.
X001 --- REFER SHEET NO.
1. F.F.L. --- FINISHED FLOOR LEVEL
2. S.F.L. --- STRUCTURAL FLOOR LEVEL
3. (R) --- REVERSED DETAIL

NO	DATE	REVISED	BY

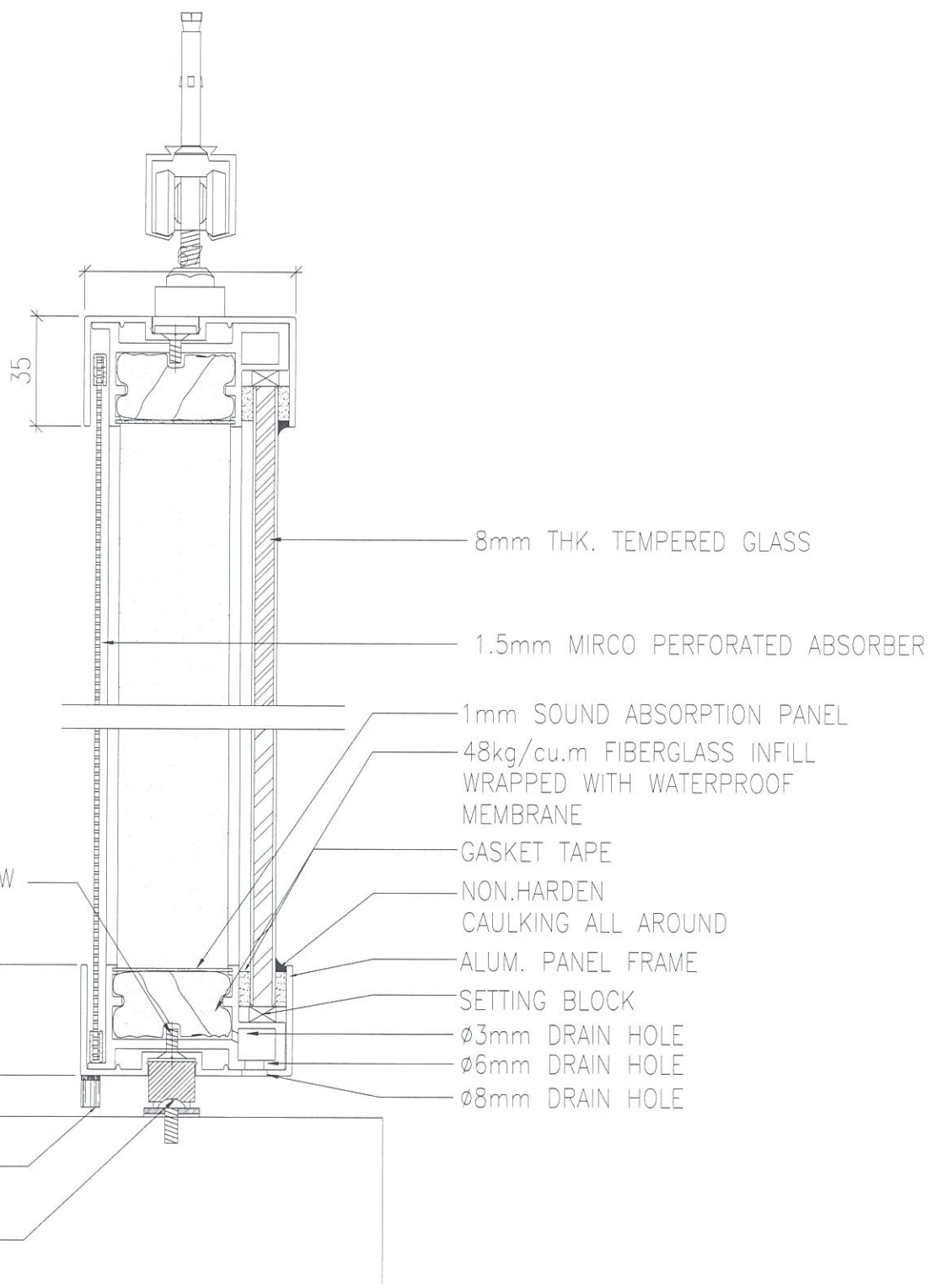
JOB NO. : J-837
PROJECT :
URA KWUN TONG TOWN CENTRE
REDEVELOPMENT (AREA 2 & 3) AT
NKIL 6514, KWUN TONG, KWLOON

TITLE :
TYPICAL SECTIONS FOR
ACOUSTIC WINDOW AND S.D.

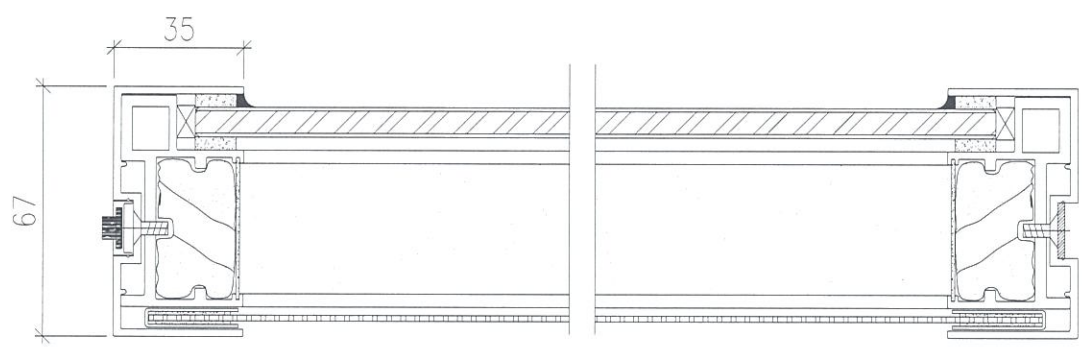
DATE : 13-JUL-18 SCALE : 1:2 (A1)
DRAWN BY : ASING CHECKED BY : -

美特鋁質有限公司
MIDI ALUMINIUM FABRICATOR LTD.
Units 6-8, Sunray Industrial Centre, 1/F
810 Cha Kwo Ling Road, Kwailoon
Tel: 23489211-4 Fax: (852) 27727666

DWG NO. : J837-AS-4001 REV : -



SECTION VIEW



OUT-SIDE
PLAN VIEW

OUT-SIDE

B.D. REF :

CLIENT :
 信和置業有限公司
 Sino Land Company Limited

ARCHITECT :
 WONG TUNG & PARTNERS LIMITED
 ARCHITECTS & PLANNERS

MAIN CONTRACTOR :
 CR Construction Company Limited

STRUCTURAL ENGINEER :
 AECOM

FACADE CONSULTANT:
 AECOM

NOTE :

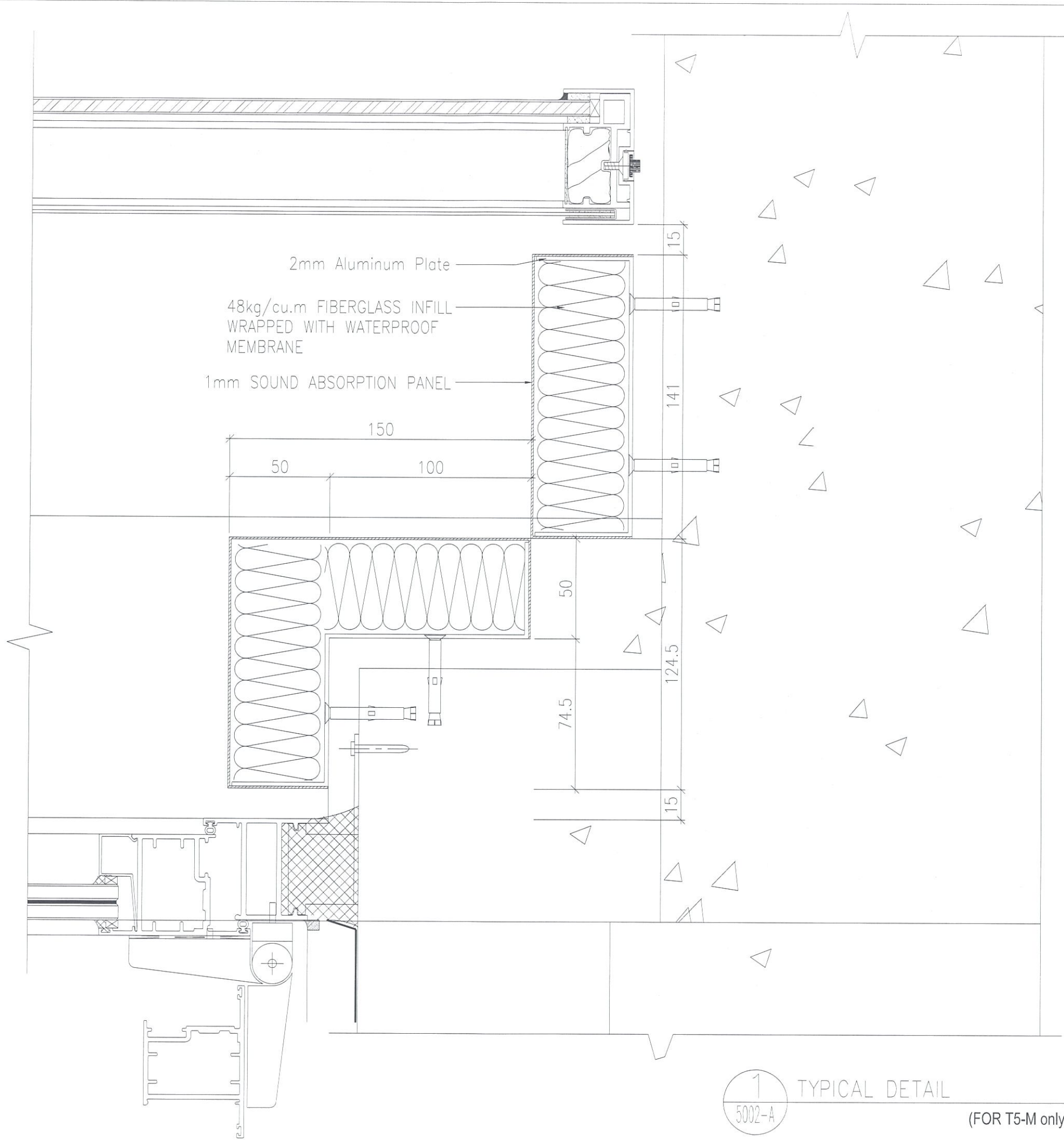
1. ALL DIMENSIONS ARE IN mm.
2. ALL ELEVATIONS ARE VIEWED FROM OUTSIDE.
3. ALL DIMENSIONS TO BE VERIFIED ON SITE BEFORE FABRICATION.

LEGEND :

(X1) — DETAIL MARK NO.
 (X001) — REFER SHEET NO.

1. F.F.L -- FINISHED FLOOR LEVEL
2. S.F.L -- STRUCTURAL FLOOR LEVEL
3. (R) -- REVERSED DETAIL

NO	DATE	REVISED	BY
JOB NO. : J-837			
PROJECT : URA KWUN TONG TOWN CENTRE REDEVELOPMENT (AREA 2 & 3) AT NKIL 6514, KWUN TONG, KWLOON			
TITLE : TYPICAL DETAIL FOR ACOUSTIC WINDOW AND S.D.			
DATE : 13-JUL-18		SCALE : 1:2 (A1)	
DRAWN BY : ASING		CHECKED BY : -	
美特鋁質有限公司 MIDI ALUMINIUM FABRICATOR LTD. Units 6-8, Sunray Industrial Centre, 1/F 610 Cha Kwo Ling Road, Kowloon Tel: 23489211-4 Fax: (852) 2727666			
DWG NO. : J837-AS-5001			REV. : -



A 5002 FIXING SECTION

1 5002-A TYPICAL DETAIL
(FOR T5-M only)

B.D. REF.:

CLIENT : 信和置業有限公司
Sino Land Company Limited

ARCHITECT : WONG TUNG & PARTNERS LIMITED
ARCHITECTS & PLANNERS
WT

MAIN CONTRACTOR : CR Construction Company Limited

STRUCTURAL ENGINEER : **AECOM**

FACADE CONSULTANT: **AECOM**

NOTE :

1. ALL DIMENSIONS ARE IN mm.
2. ALL ELEVATIONS ARE VIEWED FROM OUTSIDE.
3. ALL DIMENSIONS TO BE VERIFIED ON SITE BEFORE FABRICATION.

LEGEND :

(X1) — DETAIL MARK NO.
(X001) — REFER SHEET NO.

1. F.F.L. -- FINISHED FLOOR LEVEL
2. S.F.L. -- STRUCTURAL FLOOR LEVEL
3. (R) -- REVERSED DETAIL

NO.	DATE	REVISED	BY

JOB NO. : J-837

PROJECT : URA KWUN TONG TOWN CENTRE
REDEVELOPMENT (AREA 2 & 3) AT
NKIL 6514, KWUN TONG, KWLOON

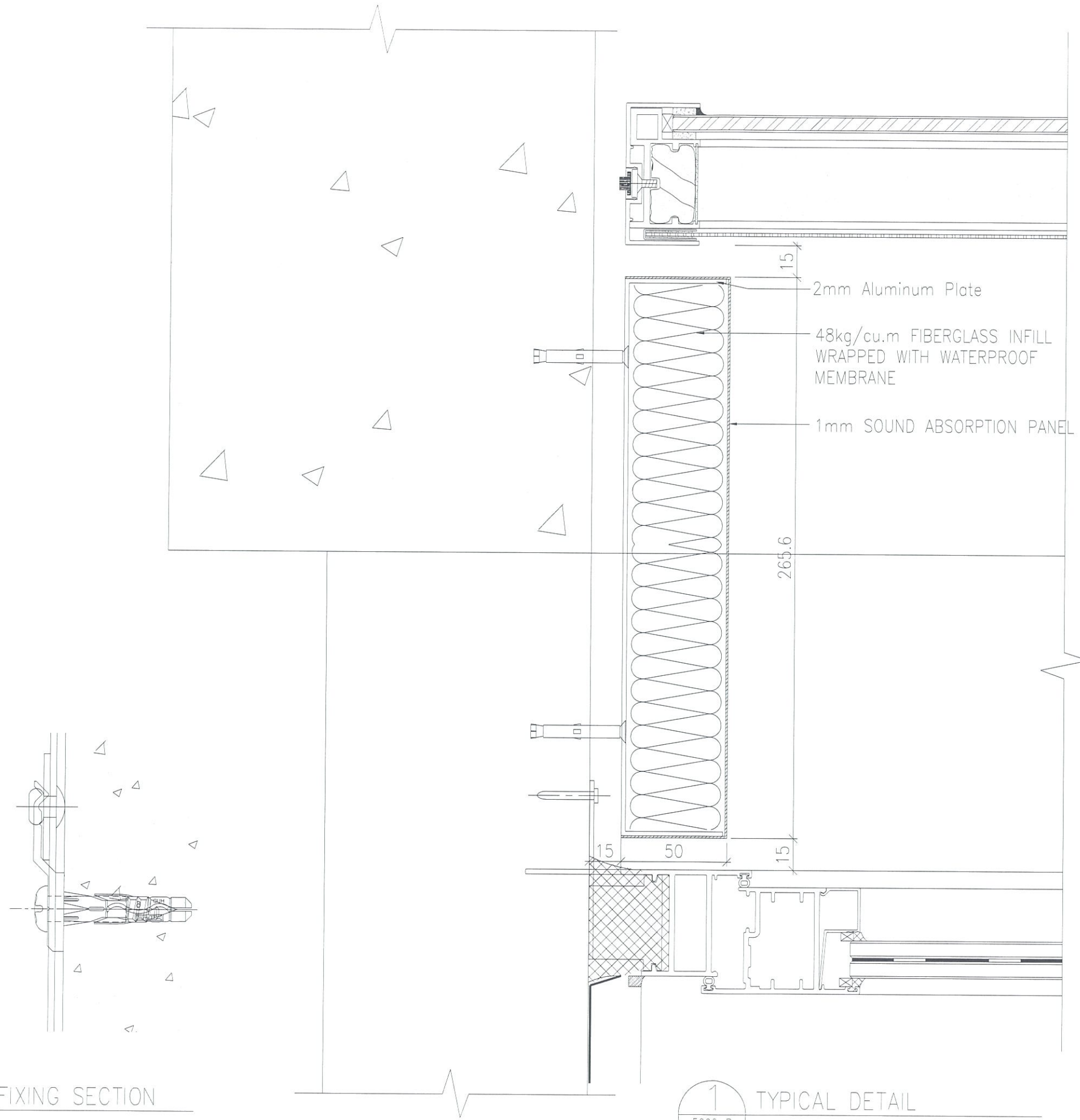
TITLE : TYPICAL DETAIL FOR
ACOUSTIC WINDOW AND S.D.

DATE : 13-JUL-18 SCALE : 1:2 (A1)

DRAWN BY : ASING CHECKED BY : -

美特鋁質有限公司
MIDI ALUMINIUM FABRICATOR LTD.
Units 6-8, Sunray Industrial Centre, 1/F
610 Cho Kwo Ling Road, Kowloon
Tel: 23489211-4 Fax: (852) 27727666

DWG NO. : J837-AS-5002-A REV. : -



A
5002
FIXING SECTION

1
5002-B
TYPICAL DETAIL
(FOR T5-N only)

B.D. REF. :

CLIENT :
 信和置業有限公司
 Sino Land Company Limited

ARCHITECT :
 WONG TUNG & PARTNERS LIMITED
 ARCHITECTS & PLANNERS

MAIN CONTRACTOR :
 CR Construction Company Limited

STRUCTURAL ENGINEER :
 AECOM

FACADE CONSULTANT:
 AECOM

NOTE :
 1. ALL DIMENSIONS ARE IN mm.
 2. ALL ELEVATIONS ARE VIEWED FROM OUTSIDE.
 3. ALL DIMENSIONS TO BE VERIFIED ON SITE BEFORE FABRICATION.

LEGEND :
 x1 — DETAIL MARK NO.
 x001 — REFER SHEET NO.

1. F.F.L. -- FINISHED FLOOR LEVEL
 2. S.F.L. -- STRUCTURAL FLOOR LEVEL
 3. (R) -- REVERSED DETAIL

NO	DATE	REVISED	BY

JOB NO. : J-837

PROJECT :
 URA KWUN TONG TOWN CENTRE
 REDEVELOPMENT (AREA 2 & 3) AT
 NKIL 6514, KWUN TONG, KWLOON

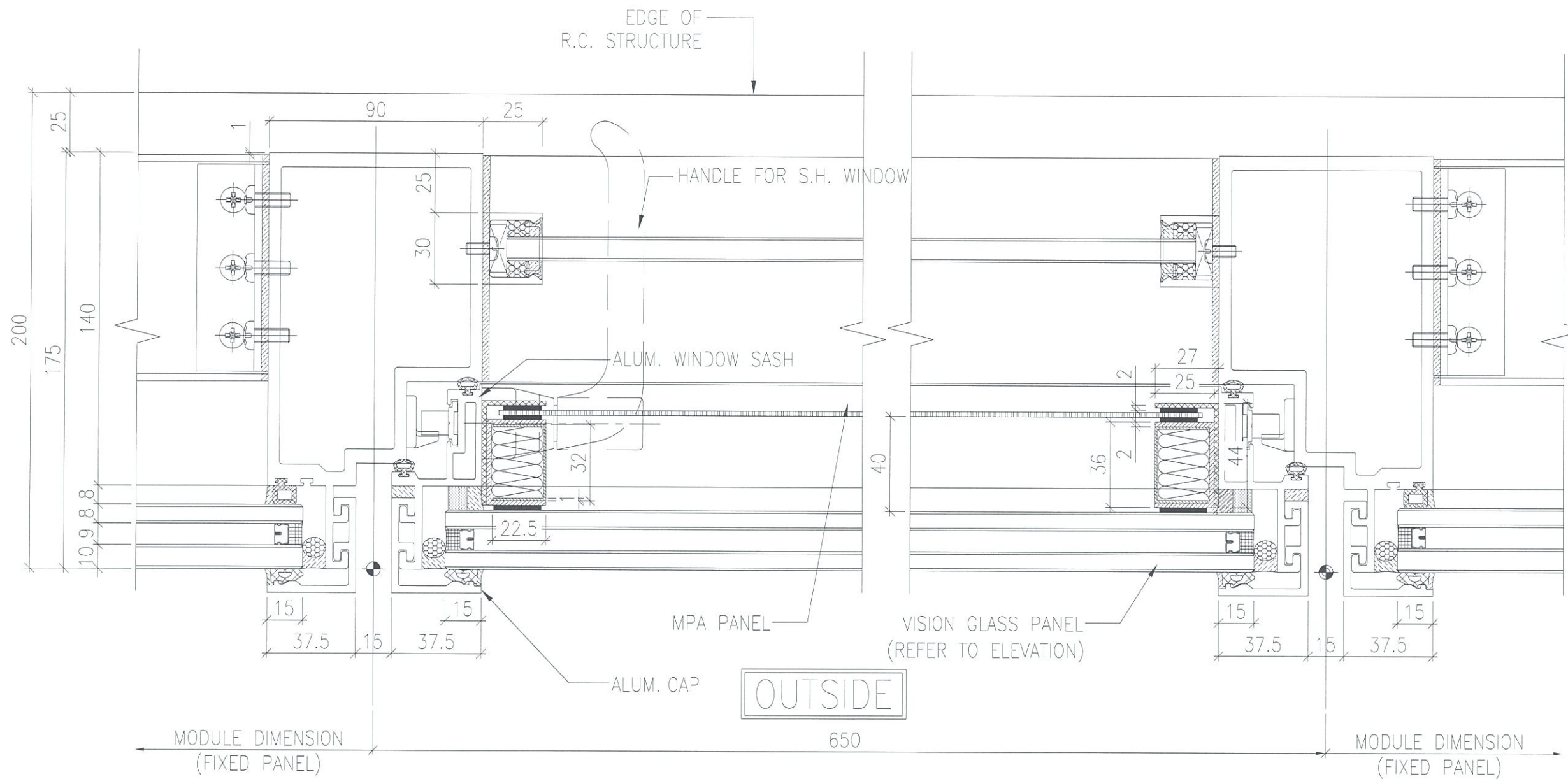
TITLE :
 TYPICAL DETAIL FOR
 ACOUSTIC WINDOW AND S.D.

DATE : 13-JUL-18 SCALE : 1:2 (A1)

DRAWN BY : ASING CHECKED BY : -

美特鋁質有限公司
 MIDI ALUMINIUM FABRICATOR LTD.
 Units 6-8, Sunray Industrial Centre, 1/F
 610 Cha Kwo Ling Road, Kowloon
 Tel: 23489211-4 Fax: (852) 27727666

DWG NO. : J837-AS-5002-B REV. : -



1 TYPICAL DETAIL
5003 (FOR T1-F AND T5-N only)

B.D. REF :

CLIENT :
信和置業有限公司
Sino Land Company Limited

ARCHITECT :
WONG TUNG & PARTNERS LIMITED
ARCHITECTS & PLANNERS
WT

MAIN CONTRACTOR :
CR Construction Company Limited

STRUCTURAL ENGINEER :
AECOM

FAÇADE CONSULTANT:
AECOM

NOTE :
1. ALL DIMENSIONS ARE IN mm.
2. ALL ELEVATIONS ARE VIEWED FROM OUTSIDE.
3. ALL DIMENSIONS TO BE VERIFIED ON SITE BEFORE FABRICATION.

LEGEND :
X1 - DETAIL MARK NO.
X001 - REFER SHEET NO.
1. F.F.L. -- FINISHED FLOOR LEVEL
2. S.F.L. -- STRUCTURAL FLOOR LEVEL
3. (R) -- REVERSED DETAIL

NO.	DATE	REVISED	BY

JOB NO. : J-837
PROJECT :
URA KWUN TONG TOWN CENTRE
REDEVELOPMENT (AREA 2 & 3) AT
NKIL 6514, KWUN TONG, KWLOON

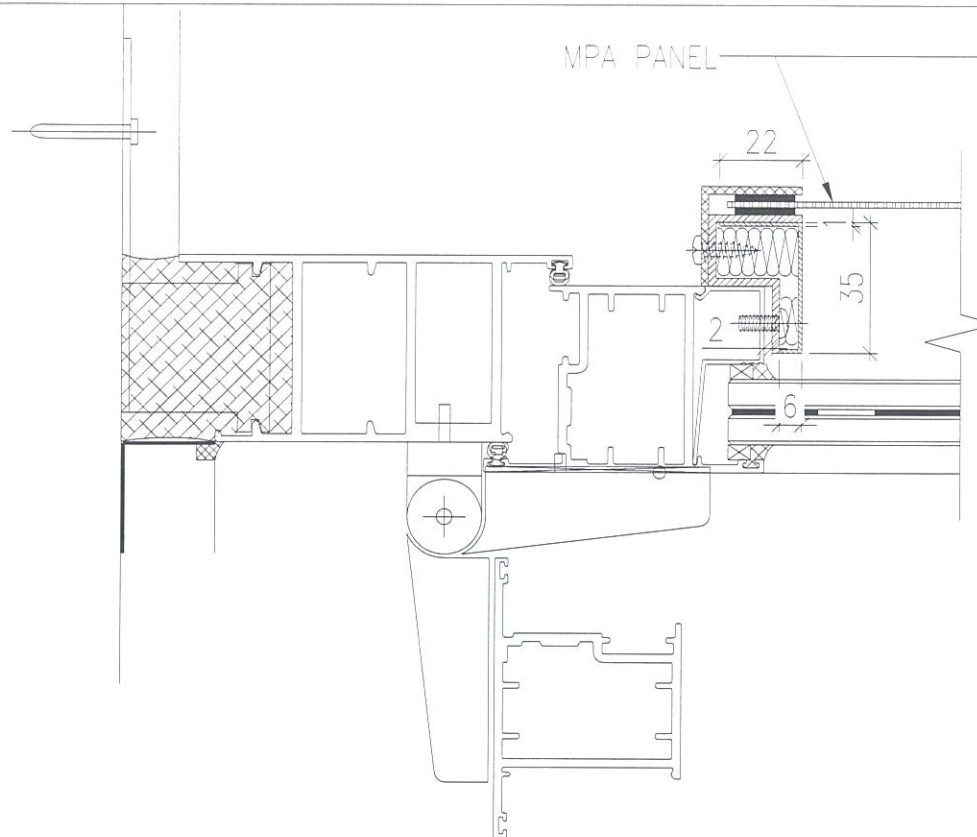
TITLE :
TYPICAL DETAIL FOR
ACOUSTIC WINDOW AND S.D.

DATE : 13-JUL-18 SCALE : 1:2 (A1)

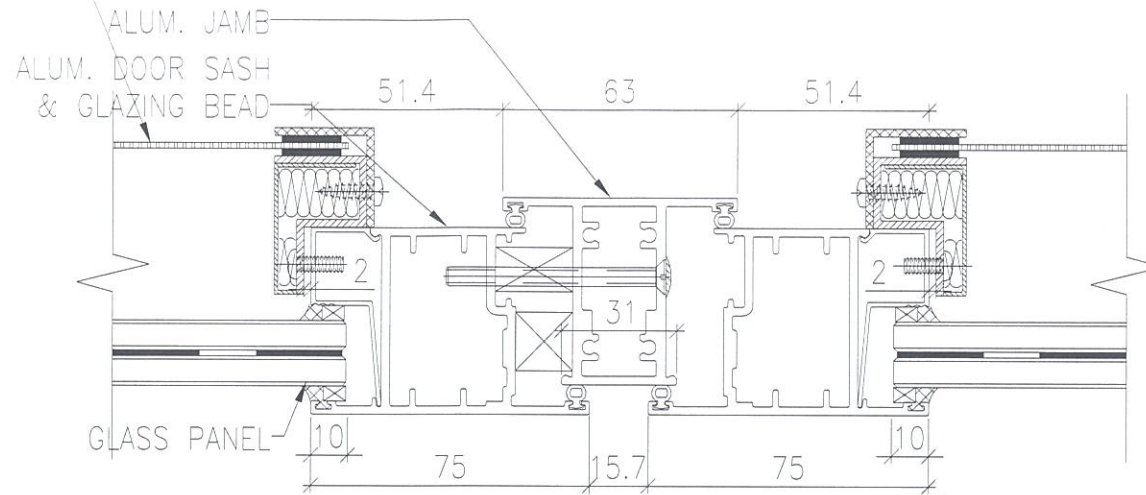
DRAWN BY : ASING CHECKED BY : -

美特鋁質有限公司
MIDI ALUMINIUM FABRICATOR LTD.
Units 6-8, Sunray Industrial Centre, 1/F
610 Cha Kwo Ling Road, Kowloon
Tel: 23489211-4 Fax: (852) 2727666

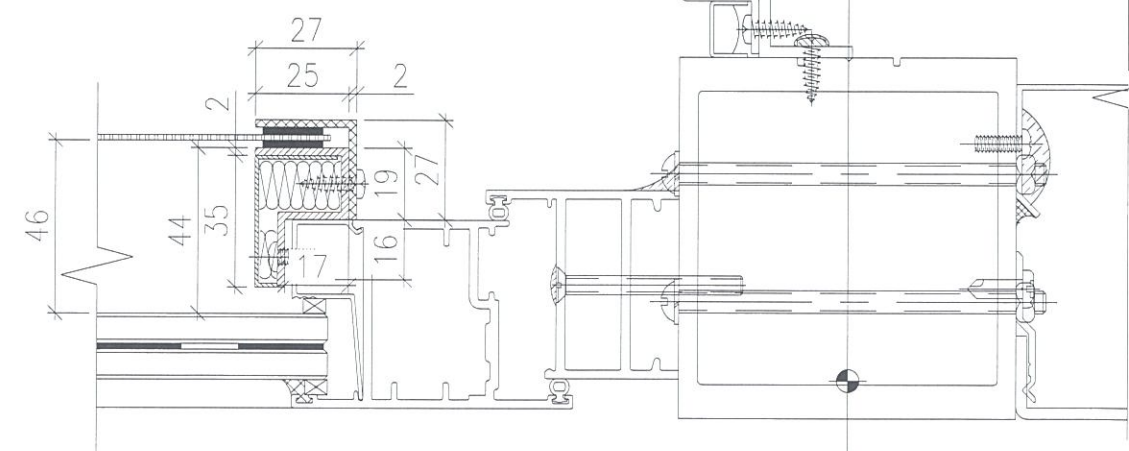
DWG NO. : J837-AS-5003 REV. : -



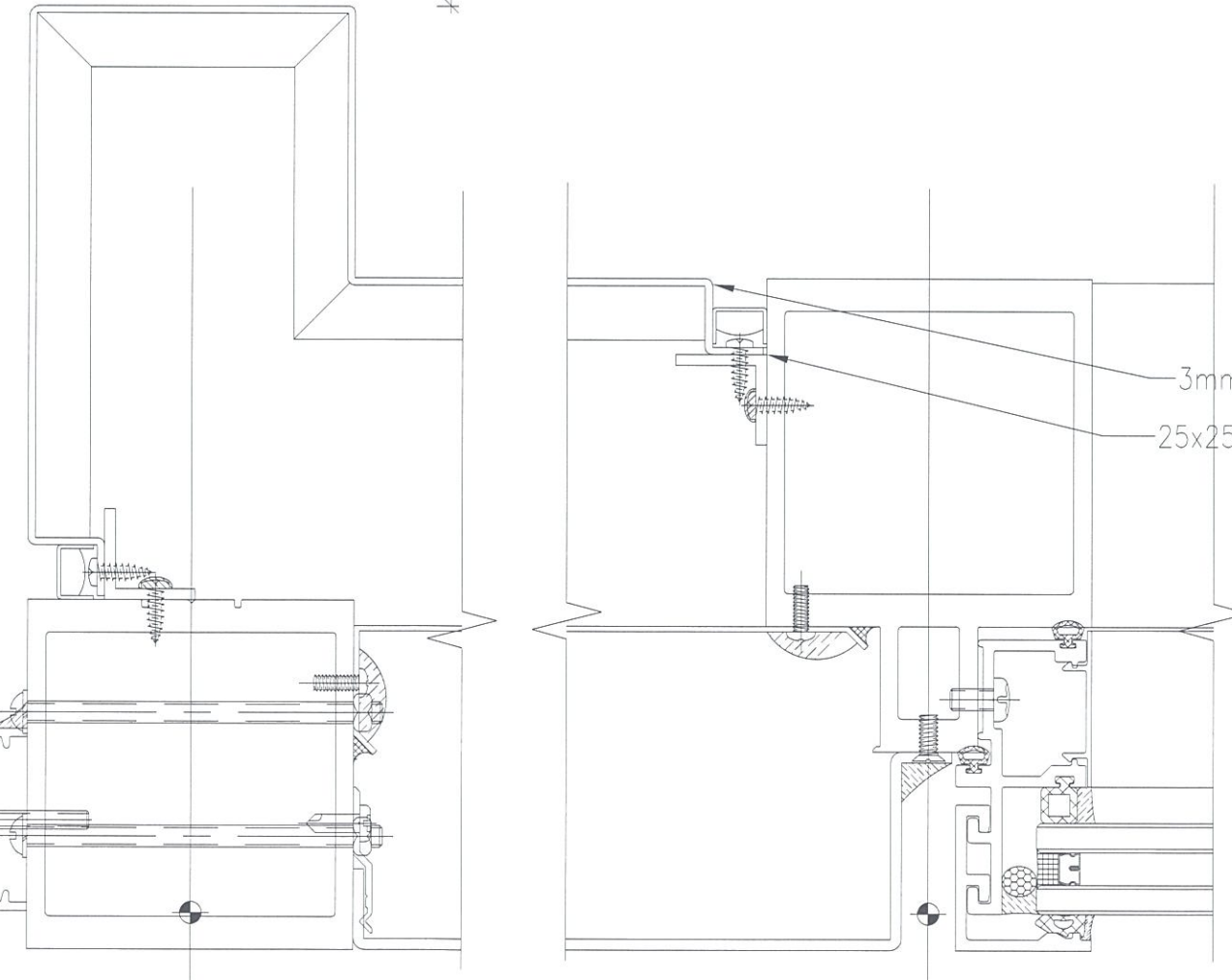
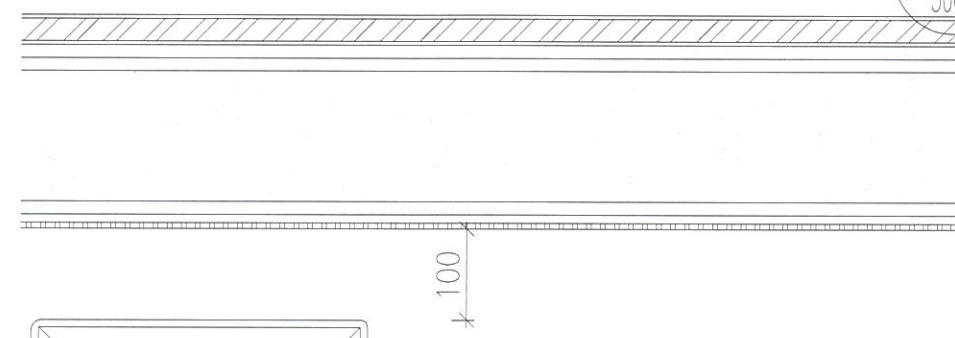
1 TYPICAL DETAIL
5004 (FOR T5-J & T5-N only)



3 TYPICAL DETAIL
5004 (FOR T5-J only)



2 TYPICAL DETAIL
5004 (FOR T5-J & T5-N only)



4 TYPICAL DETAIL
5004 (FOR T3-E, F & M. T5-A, J, K & L)

B.D. REF :

CLIENT :
信和置業有限公司
Sino Land Company Limited

ARCHITECT :
WONG TUNG & PARTNERS LIMITED
ARCHITECTS & PLANNERS
WT

MAIN CONTRACTOR :
CR Construction Company Limited

STRUCTURAL ENGINEER :
AECOM

FACADE CONSULTANT:
AECOM

NOTE :

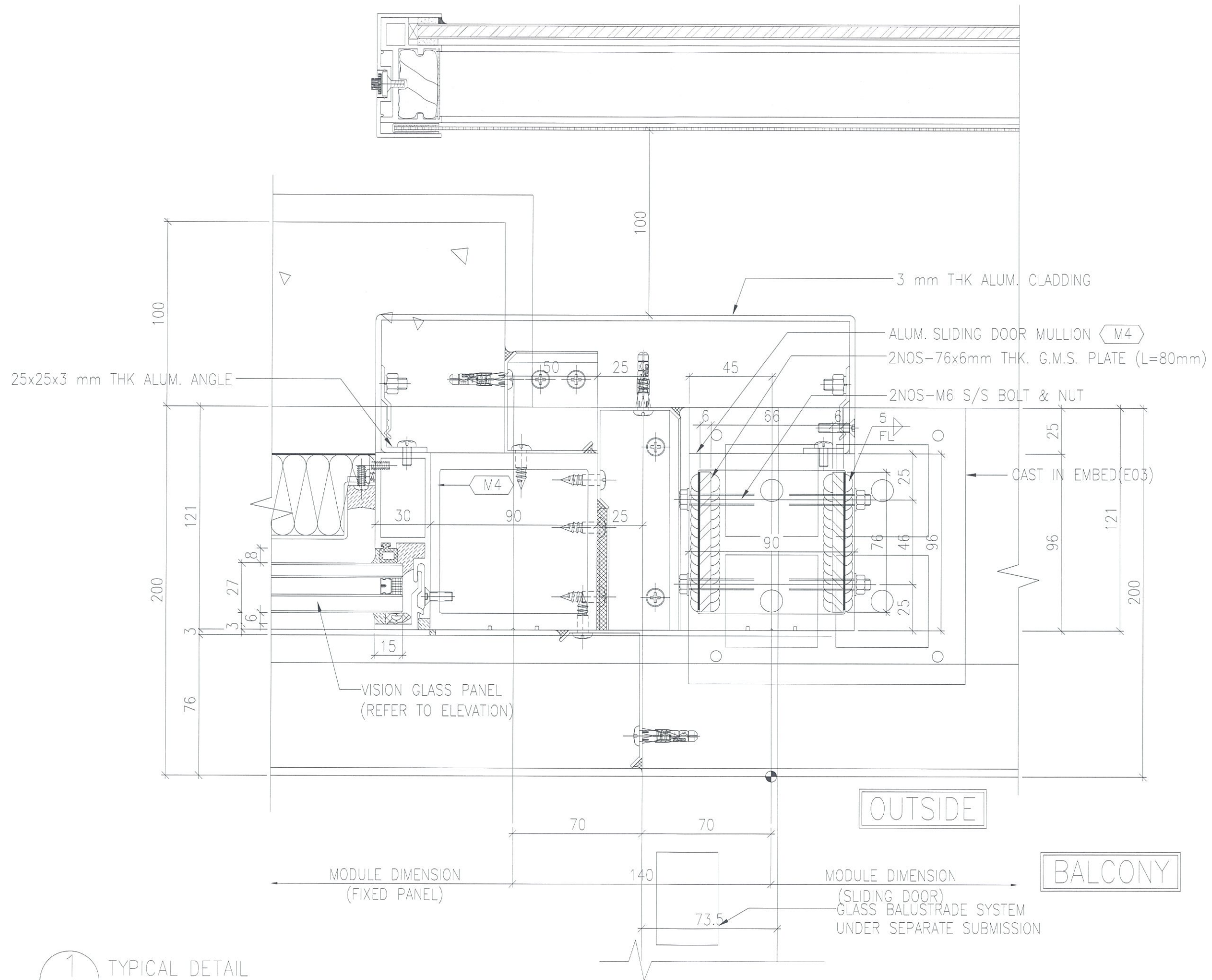
1. ALL DIMENSIONS ARE IN mm.
2. ALL ELEVATIONS ARE VIEWED FROM OUTSIDE.
3. ALL DIMENSIONS TO BE VERIFIED ON SITE BEFORE FABRICATION.

LEGEND :

(X1) — DETAIL MARK NO.
(X001) — REFER SHEET NO.

1. F.F.L. — FINISHED FLOOR LEVEL
2. S.F.L. — STRUCTURAL FLOOR LEVEL
3. (R) — REVERSED DETAIL

NO	DATE	REVISED	BY
JOB NO. : J-837			
PROJECT : URA KWUN TONG TOWN CENTRE REDEVELOPMENT (AREA 2 & 3) AT NKIL 6514, KWUN TONG, KWLOON			
TITLE : TYPICAL DETAIL FOR ACOUSTIC WINDOW AND S.D.			
DATE : 13-JUL-18		SCALE : 1:2 (A1)	
DRAWN BY : ASING		CHECKED BY : -	
MIDI ALUMINIUM FABRICATOR LTD. Units 6-8, Sunray Industrial Centre, 1/F 610 Cha Kwa Ling Road, Kowloon Tel: 23489211-4 Fax: (852) 2727666			
DWG NO. : J837-AS-5004			REV. : A



B.D. REF :

CLIENT :

信和置業有限公司
Sino Land Company Limited

ARCHITECT :
WONG TUNG & PARTNERS LIMITED
ARCHITECTS & PLANNERS



MAIN CONTRACTOR :

CR Construction Company Limited

STRUCTURAL ENGINEER :

AECOM

FACADE CONSULTANT:

AECOM

NOTE :

1. ALL DIMENSIONS ARE IN mm.
2. ALL ELEVATIONS ARE VIEWED FROM OUTSIDE.
3. ALL DIMENSIONS TO BE VERIFIED ON SITE BEFORE FABRICATION.

LEGEND :

- (X1) — DETAIL MARK NO.
- (X001) — REFER SHEET NO.

1. F.F.L. — FINISHED FLOOR LEVEL
2. S.F.L. — STRUCTURAL FLOOR LEVEL
3. (R) — REVERSED DETAIL

NO	DATE	REVISED	BY

JOB NO. : J-837

PROJECT :
URA KWUN TONG TOWN CENTRE
REDEVELOPMENT (AREA 2 & 3) AT
NKIL 6514, KWUN TONG, KWLOON

TITLE :
TYPICAL DETAIL FOR
ACOUSTIC WINDOW AND S.D.

DATE : 13-JUL-18 SCALE : 1:2 (A1)

DRAWN BY : ASING CHECKED BY : -

美特鋁質有限公司
MIDI ALUMINIUM FABRICATOR LTD.
Units 6-8, Sunray Industrial Centre, 1/F
810 Cha Kwo Ling Road, Kowloon
Tel: 23489211-4 Fax: (852) 2727666

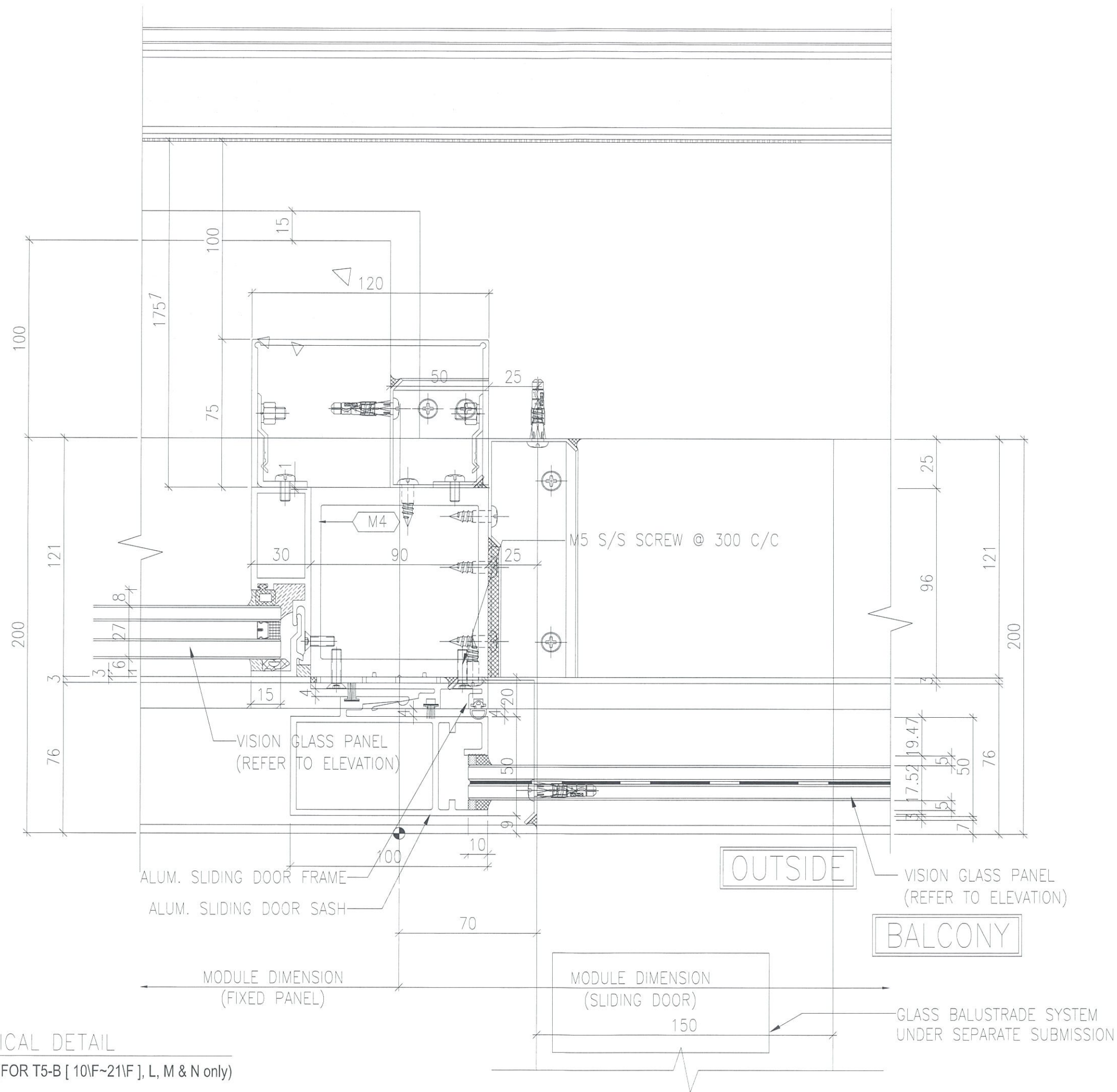
DWG NO. : J837-AS-5005

REV : -

1
5005

TYPICAL DETAIL

(FOR T1-F AND T5-K only)



B.D. REF :

CLIENT :
 信和置業有限公司
 Sino Land Company Limited

ARCHITECT :
 WONG TUNG & PARTNERS LIMITED
 ARCHITECTS & PLANNERS

MAIN CONTRACTOR :
 CR Construction Company Limited

STRUCTURAL ENGINEER :
 AECOM

FACADE CONSULTANT:
 AECOM

NOTE :
 1. ALL DIMENSIONS ARE IN mm.
 2. ALL ELEVATIONS ARE VIEWED FROM OUTSIDE.
 3. ALL DIMENSIONS TO BE VERIFIED ON SITE BEFORE FABRICATION.

LEGEND :
 X1 — DETAIL MARK NO.
 X001 — REFER SHEET NO.
 1. F.F.L. -- FINISHED FLOOR LEVEL
 2. S.F.L. -- STRUCTURAL FLOOR LEVEL
 3. (R) -- REVERSED DETAIL

NO	DATE	REVISED	BY

JOB NO. : J-837
 PROJECT :
 URA KWUN TONG TOWN CENTRE
 REDEVELOPMENT (AREA 2 & 3) AT
 NKIL 6514, KWUN TONG, KWLOON

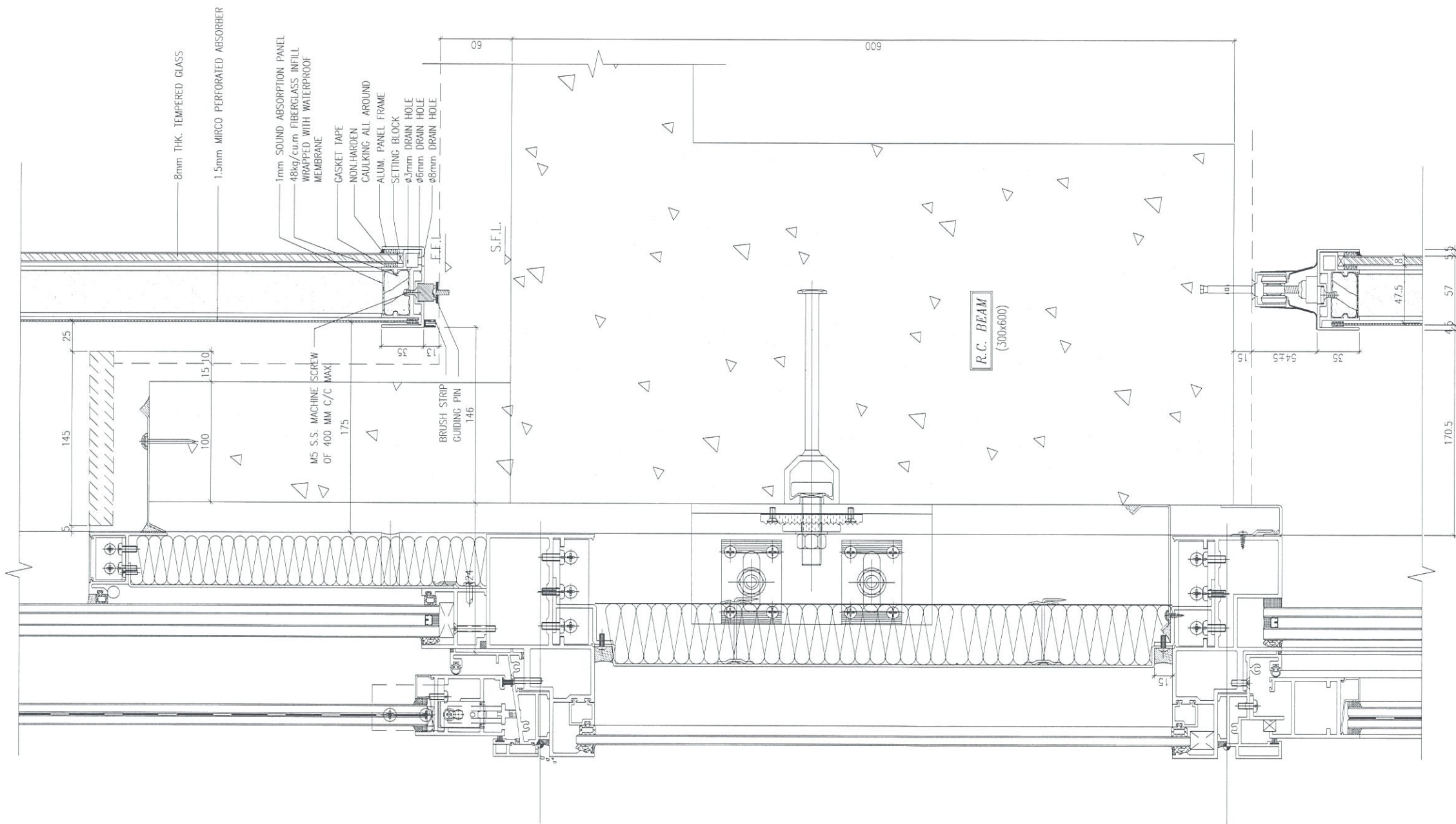
TITLE :
 TYPICAL DETAIL FOR
 ACOUSTIC WINDOW AND S.D.

DATE : 13-JUL-18 SCALE : 1:2 (A1)
 DRAWN BY : ASING CHECKED BY : -

美特鋁質有限公司
 MIDI ALUMINIUM FABRICATOR LTD.
 Units 6-8, Sunray Industrial Centre, 1/F
 610 Cha Kwo Ling Road, Kowloon
 Tel: 23489211-4 Fax: (852) 2727666

DWG NO. : J837-AS-5006 REV. : -

1 TYPICAL DETAIL
 5006 (FOR T5-B [10F~21F], L, M & N only)



1
6001
TYPICAL DETAIL

B.D. REF :

CLIENT :
 信和置業有限公司
 Sino Land Company Limited



ARCHITECT :
 WONG TUNG & PARTNERS LIMITED
 ARCHITECTS & PLANNERS


MAIN CONTRACTOR :
 CR Construction Company Limited

STRUCTURAL ENGINEER :


FAÇADE CONSULTANT:


NOTE :
 1. ALL DIMENSIONS ARE IN mm.
 2. ALL ELEVATIONS ARE VIEWED FROM OUTSIDE.
 3. ALL DIMENSIONS TO BE VERIFIED ON SITE BEFORE FABRICATION.


LEGEND :
 — DETAIL MARK NO.
 — REFER SHEET NO.
 1. F.F.L. -- FINISHED FLOOR LEVEL
 2. S.F.L. -- STRUCTURAL FLOOR LEVEL
 3. (R) -- REVERSED DETAIL

NO.	DATE	REVISED	BY

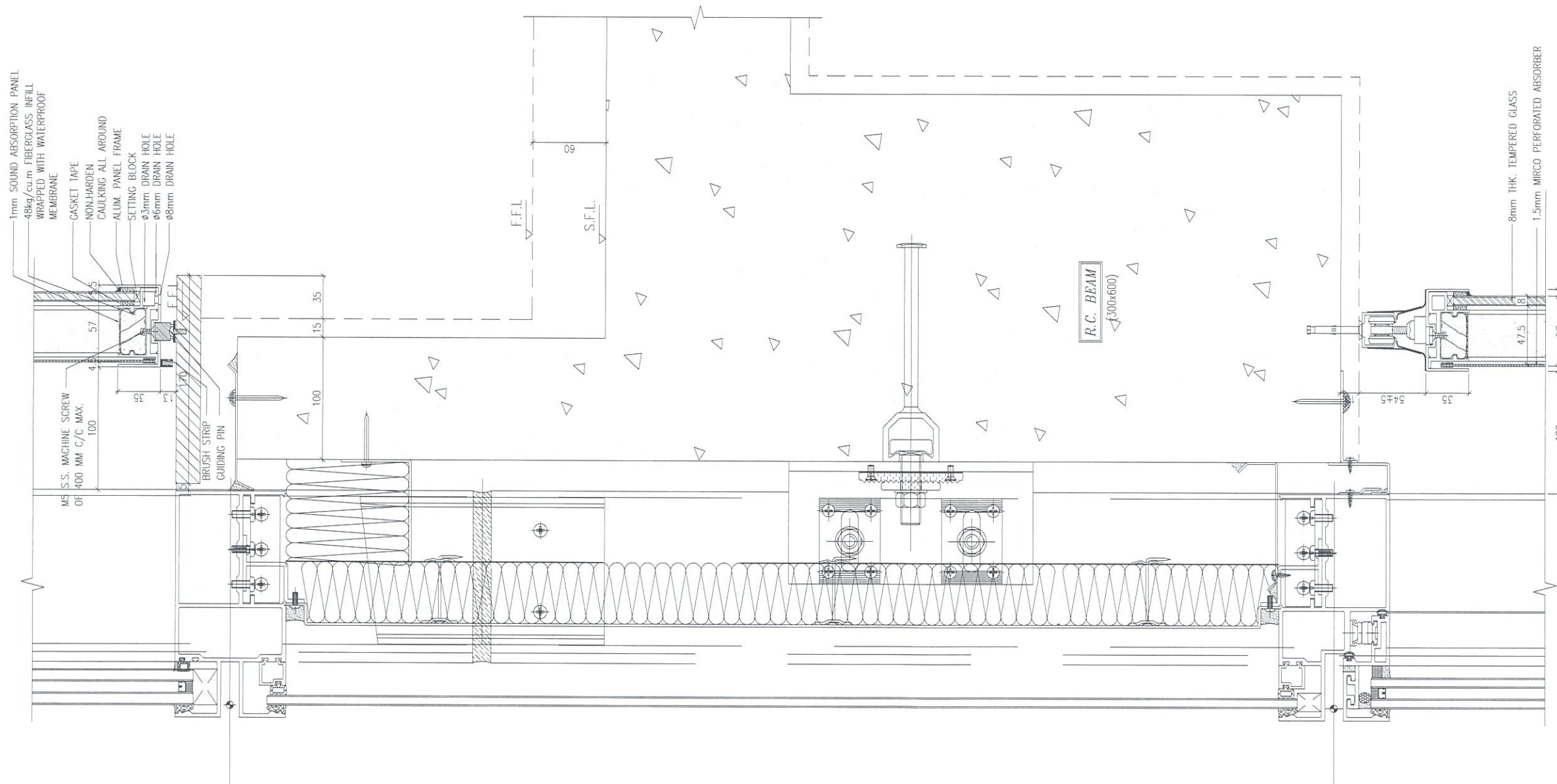
JOB NO. : J-837
 PROJECT :
 URA KWUN TONG TOWN CENTRE
 REDEVELOPMENT (AREA 2 & 3) AT
 NKIL 6514, KWUN TONG, KWLOON

TITLE :
 TYPICAL DETAIL FOR
 ACOUSTIC WINDOW AND S.D.

DATE : 13-JUL-18 SCALE : 1:4 (A1)
 DRAWN BY : ASING CHECKED BY : -

 美特鋁質有限公司
 MIDI ALUMINIUM FABRICATOR LTD.
 Units 6-8, Sunray Industrial Centre, 1/F
 610 Cha Kwo Ling Road, Kwailoon
 Tel: 23489211-4 Fax: (852) 27727666

DWG NO. : J837-AS-6001 REV. : -



1
6003
TYPICAL DETAIL

B.D. REF :

CLIENT :

信和置業有限公司
Sino Land Company Limited

ARCHITECT :
WONG TUNG & PARTNERS LIMITED
ARCHITECTS & PLANNERS



MAIN CONTRACTOR :

CR Construction Company Limited

STRUCTURAL ENGINEER :

AECOM

FACADE CONSULTANT:

AECOM

NOTE :

1. ALL DIMENSIONS ARE IN mm.
2. ALL ELEVATIONS ARE VIEWED FROM OUTSIDE.
3. ALL DIMENSIONS TO BE VERIFIED ON SITE BEFORE FABRICATION.

LEGEND :

- x1 --- DETAIL MARK NO.
- x001 --- REFER SHEET NO.

1. F.F.L. --- FINISHED FLOOR LEVEL
2. S.F.L. --- STRUCTURAL FLOOR LEVEL
3. (R) --- REVERSED DETAIL

NO.	DATE	REVISED	BY

JOB NO. : J-837

PROJECT :
URA KWUN TONG TOWN CENTRE
REDEVELOPMENT (AREA 2 & 3) AT
NKIL 6514, KWUN TONG, KWLOON

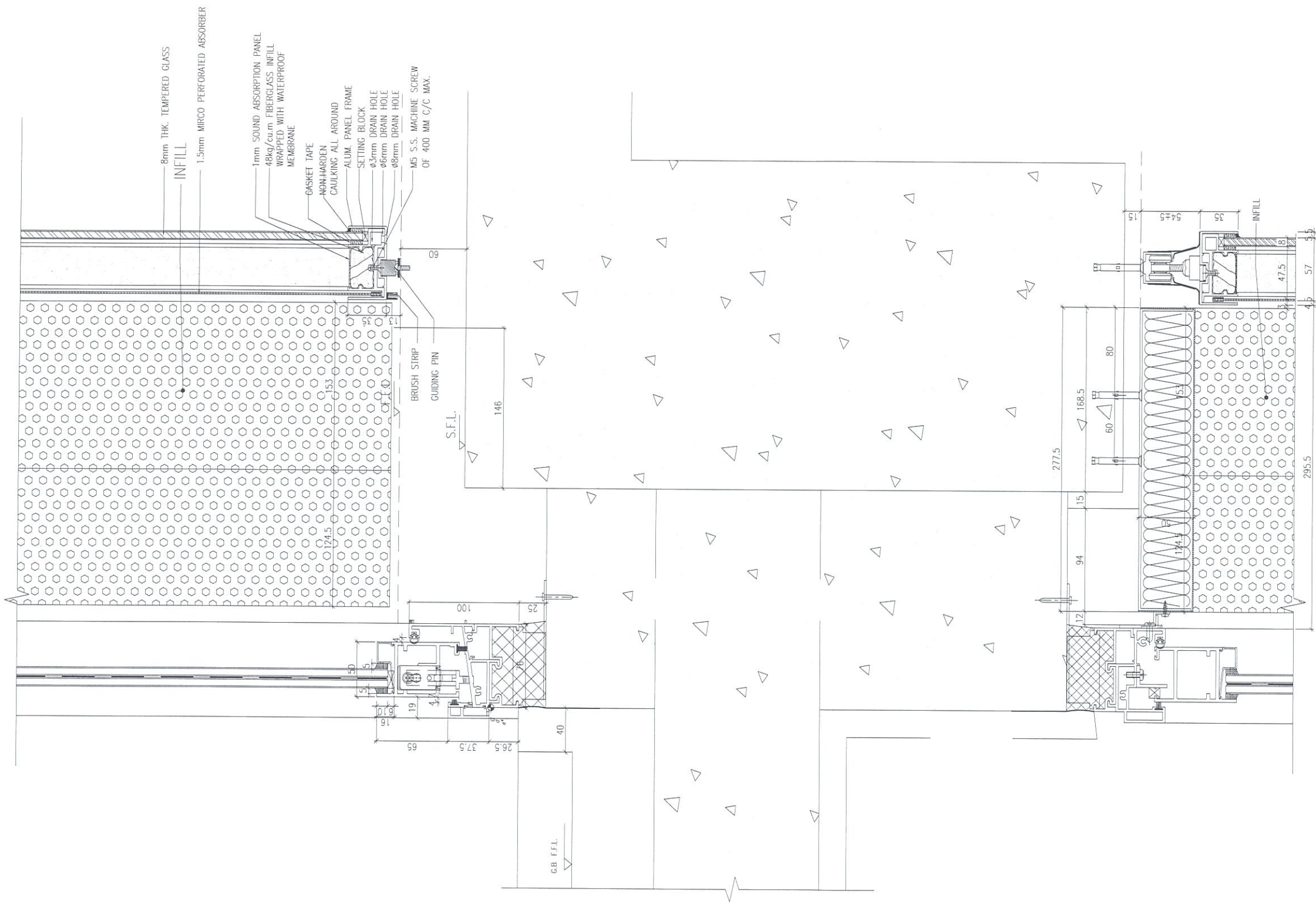
TITLE :
TYPICAL DETAIL FOR
ACOUSTIC WINDOW AND S.D.

DATE : 13-JUL-18 SCALE : 1:4 (A1)

DRAWN BY : ASING CHECKED BY : -

美特鋁質有限公司
MIDI ALUMINIUM FABRICATOR LTD.
Units 6-8, Sunray Industrial Centre, 1/F
610 Cha Kwo Ling Road, Kowloon
Tel: 23489211-4 Fax: (852) 2727666

DWG NO. : J837-AS-6003 REV. : -



1 TYPICAL DETAIL
6004
(FOR T5-M AND T5-N only)

B.D. REF :

CLIENT :
信和置業有限公司
Sino Land Company Limited

ARCHITECT :
WONG TUNG & PARTNERS LIMITED
ARCHITECTS & PLANNERS

MAIN CONTRACTOR :
CR Construction Company Limited

STRUCTURAL ENGINEER :
AECOM

FACADE CONSULTANT:
AECOM

NOTE :
1. ALL DIMENSIONS ARE IN mm.
2. ALL ELEVATIONS ARE VIEWED FROM OUTSIDE.
3. ALL DIMENSIONS TO BE VERIFIED ON SITE BEFORE FABRICATION.

LEGEND :
X1 — DETAIL MARK NO.
X001 — REFER SHEET NO.
1. F.F.L. — FINISHED FLOOR LEVEL
2. S.F.L. — STRUCTURAL FLOOR LEVEL
3. (R) — REVERSED DETAIL

NO.	DATE	REVISED	BY

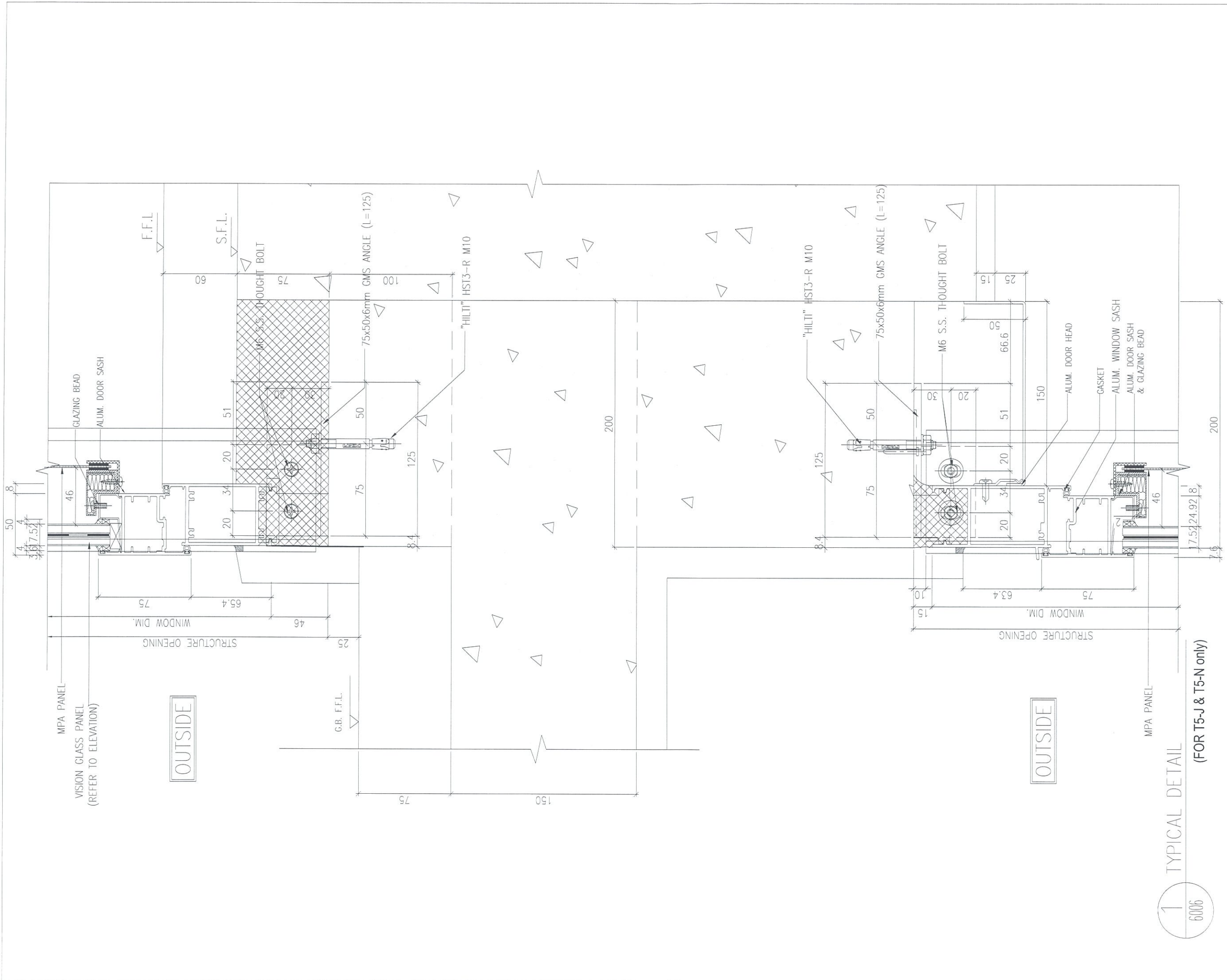
JOB NO. : J-837
PROJECT :
URA KWUN TONG TOWN CENTRE
REDEVELOPMENT (AREA 2 & 3) AT
NKIL 6514, KWUN TONG, KWLOON

TITLE :
TYPICAL DETAIL FOR
ACOUSTIC WINDOW AND S.D.

DATE : 13-JUL-18 SCALE : 1:4 (A1)
DRAWN BY : ASING CHECKED BY : -

英特鋁質有限公司
MIDI ALUMINIUM FABRICATOR LTD.
Units 6-8, Sunray Industrial Centre, 1/F
610 Cha Kwo Ling Road, Kowloon
Tel:23489211-4 Fax:(852)27727666

DWG NO. : J837-AS-6004 REV. : -



1 TYPICAL DETAIL
6006
(FOR T5-J & T5-N only)

B.D. REF :

CLIENT :
信和置業有限公司
Sino Land Company Limited

ARCHITECT :
WONG TUNG & PARTNERS LIMITED
ARCHITECTS & PLANNERS
WT

MAIN CONTRACTOR :
CR Construction Company Limited

STRUCTURAL ENGINEER :
AECOM

FACADE CONSULTANT:
AECOM

NOTE :
1. ALL DIMENSIONS ARE IN mm.
2. ALL ELEVATIONS ARE VIEWED FROM OUTSIDE.
3. ALL DIMENSIONS TO BE VERIFIED ON SITE BEFORE FABRICATION.

LEGEND :
x1 --- DETAIL MARK NO.
x001 --- REFER SHEET NO.
1. F.F.L. --- FINISHED FLOOR LEVEL
2. S.F.L. --- STRUCTURAL FLOOR LEVEL
3. (R) --- REVERSED DETAIL

NO.	DATE	REVISED	BY

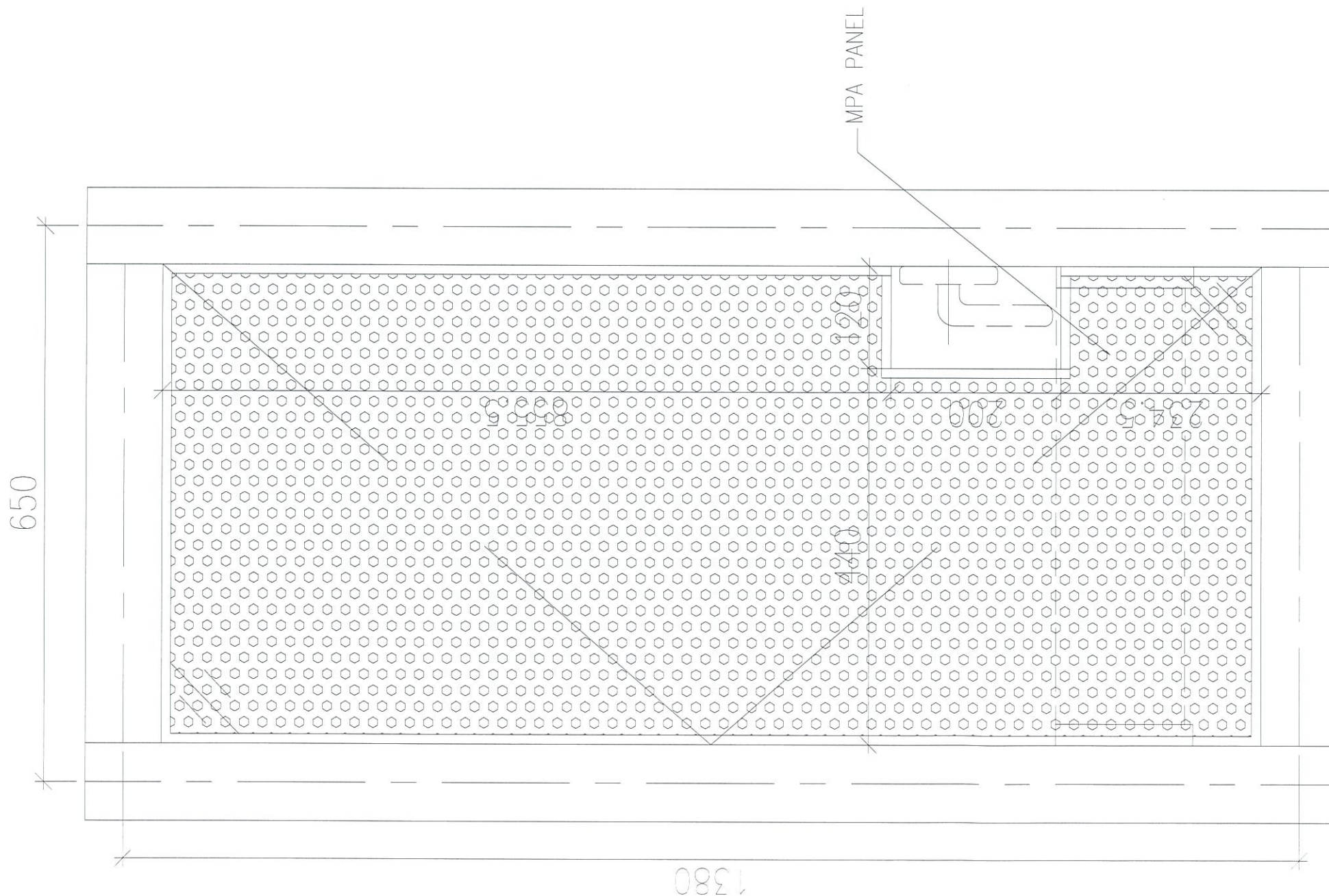
JOB NO. : J-837
PROJECT :
URA KWUN TONG TOWN CENTRE
REDEVELOPMENT (AREA 2 & 3) AT
NKIL 6514, KWUN TONG, KWLOON

TITLE :
TYPICAL DETAIL FOR
ACOUSTIC WINDOW AND S.D.

DATE : 13-JUL-18 SCALE : 1:4 (A1)
DRAWN BY : ASING CHECKED BY : -

MIDI ALUMINIUM FABRICATOR LTD.
Units 6-8, Sunray Industrial Centre, 1/F
610 Cha Kwo Ling Road, Kowloon
Tel: 23489211-4 Fax: (852) 27727666

DWG NO. : J837-AS-6006 REV. : -



1 WINDOW ELEV.
 (FOR T1-F AND T5-N only)
 2001

B.D. REF :

CLIENT :

信和置業有限公司
 Sino Land Company Limited

ARCHITECT :
 WONG TUNG & PARTNERS LIMITED
 ARCHITECTS & PLANNERS



MAIN CONTRACTOR :

CR Construction Company Limited

STRUCTURAL ENGINEER :

AECOM

FACADE CONSULTANT:

AECOM

NOTE :

1. ALL DIMENSIONS ARE IN mm.
2. ALL ELEVATIONS ARE VIEWED FROM OUTSIDE.
3. ALL DIMENSIONS TO BE VERIFIED ON SITE BEFORE FABRICATION.

LEGEND :

- x1 — DETAIL MARK NO.
- x001 — REFER SHEET NO.

1. F.F.L. -- FINISHED FLOOR LEVEL
2. S.F.L. -- STRUCTURAL FLOOR LEVEL
3. (R) -- REVERSED DETAIL

NO.	DATE	REVISED	BY

JOB NO. : J-837

PROJECT :
 URA KWUN TONG TOWN CENTRE
 REDEVELOPMENT (AREA 2 & 3) AT
 NKIL 6514, KWUN TONG, KWLOON

TITLE :
 TYPICAL ELEVATION FOR
 ACOUSTIC WINDOW

DATE : 13-JUL-18 SCALE : 1:4 (A1)

DRAWN BY : ASING CHECKED BY : -

MIDI ALUMINIUM FABRICATOR LTD.
 美特鋁質有限公司
 Units 6-8, Sunray Industrial Centre, 1/F
 610 Cha Kwo Ling Road, Kowloon
 Tel: 23489211-4 Fax: (852) 27727666

DWG NO. : J837-AS-2001 REV : -

J837 Acoustic Panels 明細表 R3

	Tower	Room	8F	樓層	層數	Type				W	H	Qty 8F	Qty/Floor	Total Qty	玉	Total 玉		
											吊趟	吊趟	吊趟		玉加MPA	玉加MPA		
SD-G03	T1F	T1CW-F1	Liv	8F	6/F-50/F	39	Enhanced Acoustic Balcony	SD	室內趟坐地台	4A	1580	2475	1	1	39	仔企趟門	0	
AW-G01		T1CW-F2	MBR	8F	6/F-50/F	39	Acoustic Windows	AW	生玉加孔板	2C	650	1380	0	0	0		1	39
AW-G02		T1CW-F2	BR1	8F	6/F-50/F	39	Acoustic Windows	AW	生玉加孔板	2C	650	1380	0	0	0		1	39
SD-G01		T1CW-F2	MBR	8F	6/F-50/F	39	Acoustic Windows	SD	室內趟坐基仔	2A	770	2185	1	1	39			0
SD-G02		T1CW-F2	MBR	8F	6/F-50/F	39	Acoustic Windows	SD	室內趟坐基仔	2A	752	2185	1	1	39			0
SD-G11	T3M	T3CW-M1	MBR	8F	7/F-30/F	20	Acoustic UP	SD	室內趟坐地台	5A	1310	2475	1	1	20	仔企FD	0	
SD-G10		T3CW-M1	BR1	8F	7/F-31/F	21	Acoustic Windows	SD	室內趟坐基仔	2A	752	2185	1	1	21			0
SD-G06	T3E	T3CW-E1	MBR	8F	6/F-36/F	26	Acoustic UP	SD	室內趟坐地台	5A	1310	2475	1	1	26	仔企FD	0	
SD-G05		T3CW-E1	BR1	8F	6/F-37/F	27	Acoustic Windows	SD	室內趟坐基仔	2A	1135	2185	1	1	27			0
SD-G04		T3CW-E1	BR2	8F	6/F-39/F	29	Acoustic Windows	SD	室內趟坐基仔	2A	752	2185	1	1	29			0
SD-G08	T3F	T3CW-F1	BR1	8F	6/F-39/F	29	Acoustic Windows	SD	室內趟坐基仔	2A	752	2185	1	1	29			0
SD-G09		T3CW-F1	BR2	8F	6/F-40/F	30	Acoustic Windows	SD	室內趟坐基仔	2A	752	2185	1	1	30			0
SD-G07		T3CW-F1	MBR	8F	6/F-28/F	19	Acoustic UP	SD	室內趟坐地台	5A	1300	2475	1	1	19	仔企FD	0	
FD-G01	T5J	T5CW-J1	Liv	8F	6/F-50/F	39	Enhanced Acoustic Balcony	FD	FD 門有孔板	4B	1160	2475	0	0	0		1	39
SD-G21		T5CW-J1	Liv	8F	6/F-50/F	39	Enhanced Acoustic Balcony	SD	室內趟坐地台	4A	1490	2475	1	1	39	仔企雙FD	0	
SD-G20		T5CW-J1	BR	8F	6/F-50/F	39	Acoustic UP	SD	室內趟坐地台	5A	1275	2475	1	1	39	仔企FD	0	
SD-G19	T5K	T5CW-K1	BR	8F	6/F-50/F	39	Acoustic UP	SD	室內趟坐地台	5A	1275	2475	1	1	39	仔企FD	0	
SD-G18a		T5CW-K1	Liv	8F	6/F-50/F	39	Enhanced Acoustic Balcony	SD	室內趟坐地台	4A	1605	2475	1	1	39	仔企趟門	0	
SD-G25	T5L	T5CW-L1	Liv	8F	6/F-50/F	39	Enhanced Acoustic Balcony	SD	室內趟坐地台	4A	1735	2475	1	1	39	飛天趟門	0	
SD-G23		T5CW-L1	BR1	8F	6/F-50/F	39	Acoustic Windows	SD	室內趟坐基仔	2A	752	2185	1	1	39			0
SD-G24		T5CW-L1	BR2	8F	6/F-50/F	39	Acoustic Windows	SD	室內趟坐基仔	2A	1060	2185	1	1	39			0
SD-G22		T5CW-L1	MBR	8F	6/F-50/F	39	Acoustic UP	SD	室內趟坐地台	5A	1300	2475	1	1	39	仔企FD	0	
FD-G02	T5M	T5CW-M2	MBR	8F	6/F-50/F	39	Acoustic UP	FD	FD 門有孔板	5B	800	2475	0	0	0		1	39
SD-G29		T5CW-M2	MBR	8F	6/F-50/F	39	Acoustic UP	SD	室內趟坐地台	5A	1300	2475	1	1	39	仔企FD	0	
SD-G27		T5CW-M2	BR2	8F	6/F-50/F	39	Acoustic Windows	SD	室內趟坐基仔	2A	1060	2185	1	1	39			0
SD-G28		T5CW-M2	BR1	8F	6/F-50/F	39	Acoustic Windows	SD	室內趟坐基仔	2A	702.5	2185	1	1	39			0
SD-G26		T5CW-M2	Liv	8F	6/F-50/F	39	Enhanced Acoustic Balcony	SD	室內趟坐地台	4A	1735	2475	1	1	39	飛天趟門	0	
SD-G33	T5N	T5CW/N-1	Liv	8F	6/F-50/F	39	Enhanced Acoustic Balcony	SD	室內趟坐地台	4A	1735	2475	1	1	39	飛天趟門	0	
AW-G03		T5CW/N-1	BR1	8F	6/F-50/F	39	Acoustic Windows	AW	生玉加孔板	2C	650	1380	0	0	0		1	39
AW-G04		T5CW/N-1	BR2	8F	6/F-50/F	39	Acoustic Windows	AW	生玉加孔板	2C	650	1380	0	0	0		1	39
SD-G31		T5CW/N-1	BR1	8F	6/F-50/F	39	Acoustic Windows	SD	室內趟坐基仔	2A	702.5	2185	1	1	39			0
SD-G32		T5CW/N-1	BR2	8F	6/F-50/F	39	Acoustic Windows	SD	室內趟坐基仔	2A	1060	2185	1	1	39			0
FD-G03		T5CW/N-1	MBR	8F	6/F-50/F	39	Acoustic UP	FD	FD 門有孔板	5B	843.5	2475	0	0	0		1	39
SD-G30		T5CW/N-1	MBR	8F	6/F-50/F	39	Acoustic UP	SD	室內趟坐地台	5A	1200	2475	1	1	39	仔企FD	0	
SD-G13 8/F 未有	T5B	T5CW/B	BR	x	10/F-21/F	10	Acoustic UP	SD	室內趟坐地台	5A	1285	2475	0	1	10	仔企FD	0	
SD-G14	T5A	T5CW/A	BR1	8F	7/F-28/F	18	Acoustic Windows	SD	室內趟坐基仔	2A	752	2185	1	1	18			0
SD-G15		T5CW/A	BR2	8F	6/F-28/F	19	Acoustic Windows	SD	室內趟坐基仔	2A	752	2185	1	1	19			0
SD-G16		T5CW/A	MBR	8F	6/F-21/F	14	Acoustic UP	SD	室內趟坐地台	5A	1410	2475	1	1	14	仔企FD	0	

30 31 1003
 吊趟
 Total 1276
 7
 門, 窗玉
 273
 114

吸音柱連天花

T5M	T5CW-M2	MBR	8F	6/F-50/F	39	Acoustic UP		吸音柱連天花	5C			1	1	39	吸音柱	0
T5N	T5CW/N-1	MBR	8F	6/F-50/F	39	Acoustic UP		吸音柱連天花	5C			1	1	39	吸音柱	0

(39x3)=3

76