

工程指示 / 要求簡箋(E.I.)

工程指示編號：EI / 10069 / 18

修改版次：-

工程編號：J - 837

工程名稱：觀塘裕民坊

工程項目：幕牆 隔音吊趟分判

收件人：Maggie

發件人：Eric Liu

日期：21/12/2018

要求提供 / 確認 事項：

- | | | |
|------------------------------------|-------------------------------------|-------------------------------|
| <input type="checkbox"/> 初步鋁料 B.M. | <input type="checkbox"/> 加工拆圖，然後生產 | <input type="checkbox"/> 尺寸表 |
| <input type="checkbox"/> 正式鋁料 B.M. | <input type="checkbox"/> 技術上資料 / 指示 | <input type="checkbox"/> 報價 |
| <input type="checkbox"/> 配件 B.M. | <input type="checkbox"/> 樣辦或貨品說明書 | <input type="checkbox"/> 分判合約 |
| <input type="checkbox"/> 其他：_____ | | |

內容：

附上 1st 隔音吊趟 shop drawing，請為隔音吊趟安裝分判

謝謝！

請在 2018/ 12 / 28 前完成上列要求。

附：

以上項目為：

- 原合約工程包 原合約工程加 / 減賬 新工程報價

原因：-

分發東莞各部門：

- () 生產技術總監 連附件 () 技術部 連附件 () 生產部 連附件 () 機械設計部 連附件
 () 採購部 連附件 () 生產統籌部 連附件
 () 質檢部 連附件 () 會計部 連附件 () 報關組 連附件 () 其他 楊榮輝 連附件

分發其他分判：

- () 王禮秋 連附件

分發香港各部門：

- () 行政部 連附件 () 會計部 連附件 () 統籌部 連附件 () 工程部地盤科文 連附件 火呀
 () 採購部 連附件 () QS 部 連附件 () 維修部 連附件 () 其他 _____ 連附件

傳遞編號：

發件人簽署：

HK / 18

項目經理簽署：

Eric Liu
PP

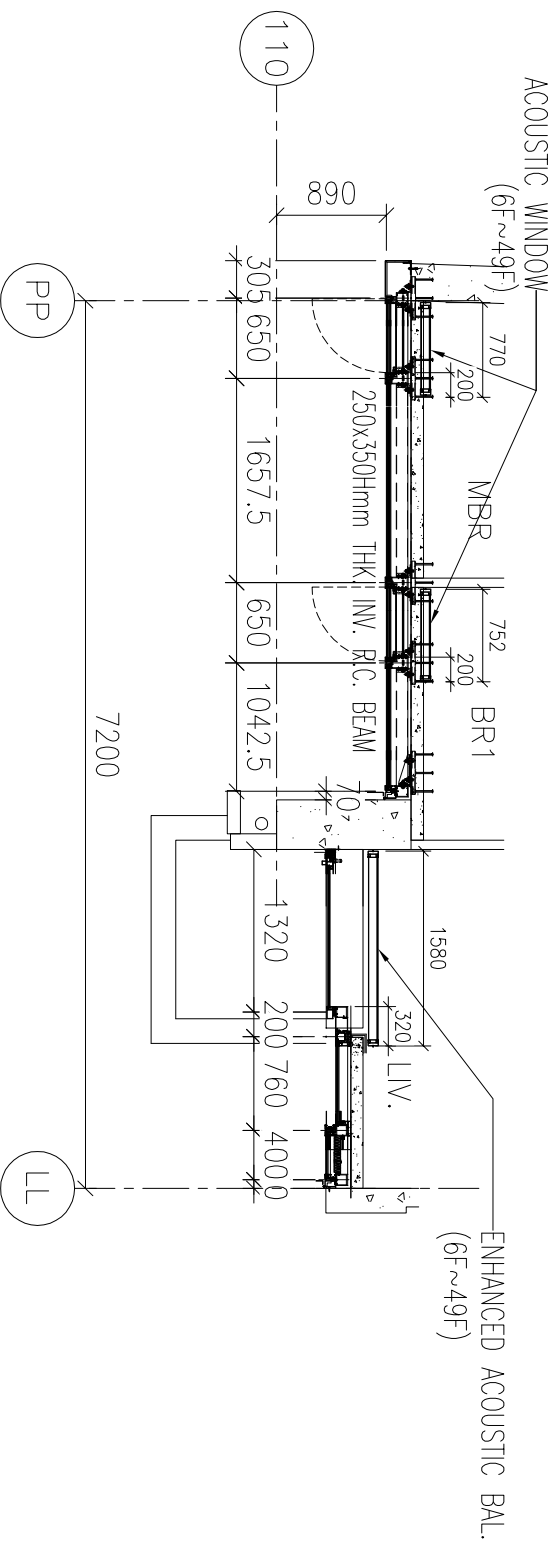
PROJECT :

**URA KWUN TONG TOWN CENTRE
REDEVELOPMENT (AREA 2 & 3) AT NKIL 6514, KWUN TONG, KWLOON**

1

**TITLE : SHOPDRAWING SUBMISSION DRAWINGS
OF ACOUSTIC SLIDING PANEL**

DATE: 19 - DEC - 2018



1 PART PLAN
3101 (T1-F) 6/F~49/F

B.D. REF :

CLIENT :

信和置業有限公司
Sino Land Company Limited

ARCHITECT :

HOING TUNG & PARTNERS LIMITED
ARCHITECTS & PLANNERS
HTP

MAIN CONTRACTOR :

CR Construction Company Limited

STRUCTURAL ENGINEER :

AECOM
AECOM
AECOM

FAÇADE CONSULTANT:

AECOM
AECOM
AECOM

NOTE :

1. ALL DIMENSIONS ARE IN mm.
2. ALL ELEVATIONS ARE VIEWED FROM OUTSIDE.
3. ALL DIMENSIONS TO BE VERIFIED ON SITE BEFORE FABRICATION.

LEGEND :

- (X1) — DETAIL MARK NO.
(X001) — REFER SHEET NO.
1. F.F.L. — FINISHED FLOOR LEVEL
 2. S.F.L. — STRUCTURAL FLOOR LEVEL
 3. (R) — REVERSED DETAIL

NO.	DATE	REVISION	BY

JOB NO. : J-837

PROJECT :
URA KWUN TONG TOWN CENTRE
REDEVELOPMENT (AREA 2 & 3) AT
MKL 6514, KWUN TONG, KWLOON

TITLE :

PART PLAN
OF ACOUSTIC SLIDING
FOR TOWER 1

DATE : 18-DEC-18 SCALE : 1:30 (A1)

DRAWN BY : ARBUT CHECKED BY : -

美特鋁質有限公司
MIDI ALUMINIUM FABRICATOR LTD.
Units 6-8, Sunny Industrial Centre, 1/F
610 Cho Kwong Road, Kwloon
Tel:23489211-4 Fax:(852)27272666

DWG NO. : J837-AS-3101 REV. : -

B.D. REF :

CLIENT :
信和置業有限公司
Sino Land Company Limited

ARCHITECT :
WONG TUNG & PARTNERS LIMITED
ARCHITECTS & PLANNERS
WTP

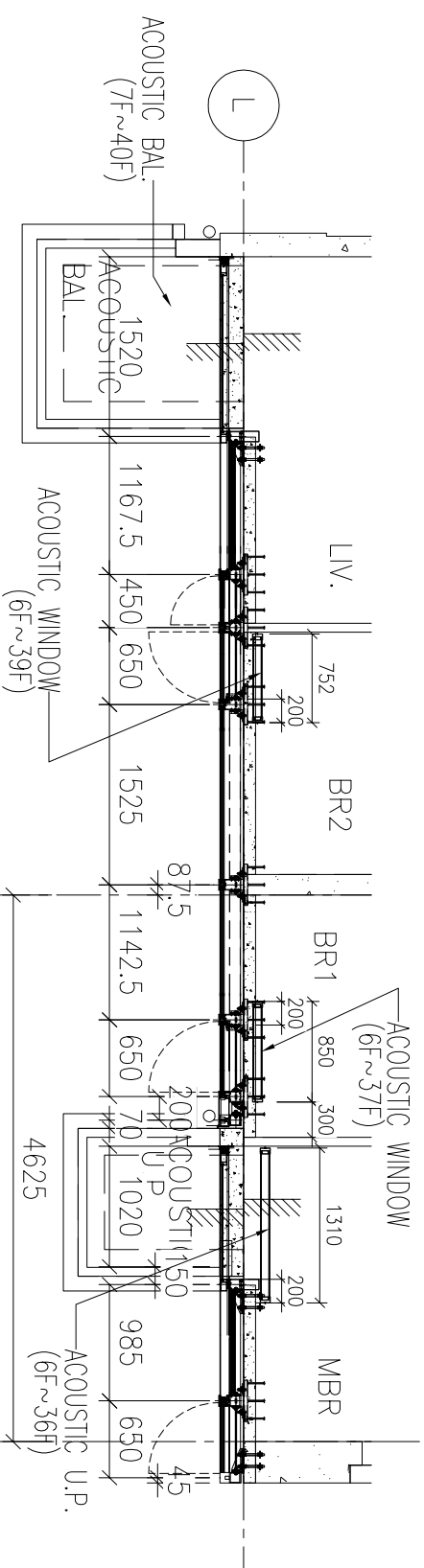
MAIN CONTRACTOR :
CR Construction Company Limited

STRUCTURAL ENGINEER :
AECOM
FAÇADE CONSULTANT:
AECOM

NOTE :
1. ALL DIMENSIONS ARE IN mm.
2. ALL ELEVATIONS ARE VIEWED FROM OUTSIDE.
3. ALL DIMENSIONS TO BE VERIFIED ON SITE BEFORE FABRICATION.
LEGEND :
① -- DETAIL MARK NO.
② -- REFER SHEET NO.
1. F.F.L. -- FINISHED FLOOR LEVEL
2. S.F.L. -- STRUCTURAL FLOOR LEVEL
3. (R) -- REVERSED DETAIL

JOB NO. : J-837
PROJECT : URA KWUN TONG TOWN CENTRE REDEVELOPMENT (AREA 2 & 3) AT MKL 6514, KWUN TONG, KWL00N
TITLE : PART PLAN OF ACOUSTIC SLIDING FOR TOWER 3
DATE : 18-DEC-18 SCALE : 1:30 (A1)
DRAWN BY : ARBUT CHECKED BY : -

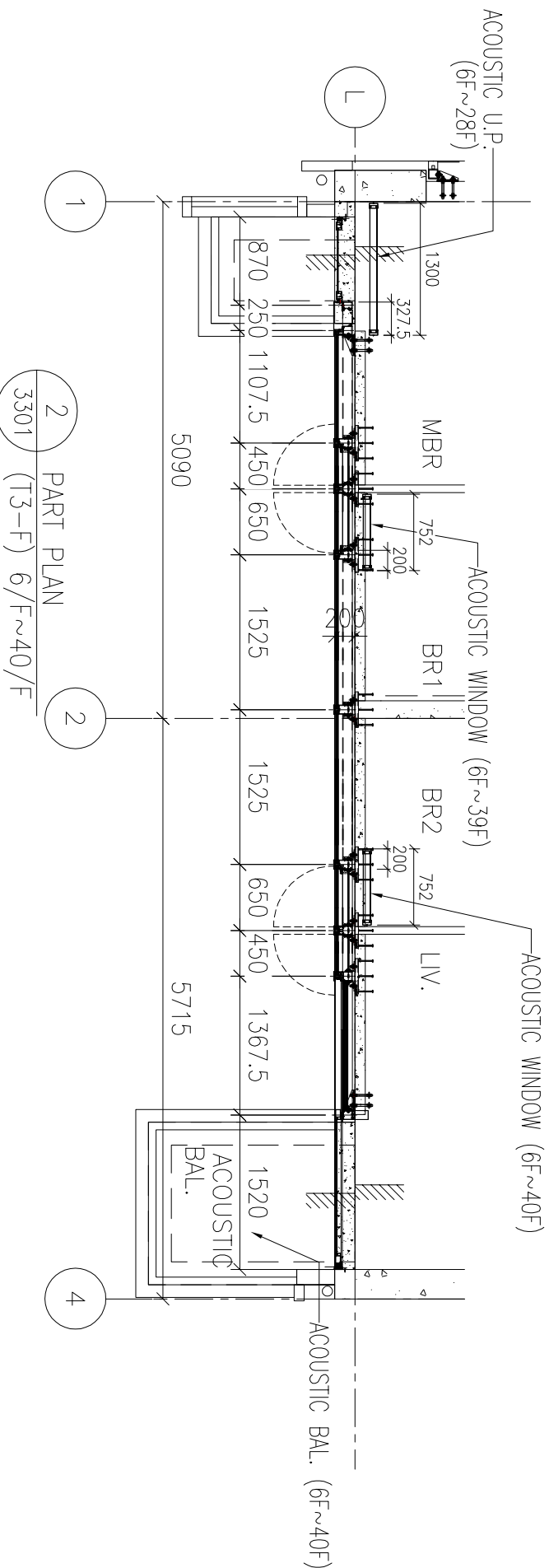
UNITED MTDI 美特鋸寶有限公司
MIDI ALUMINIUM FABRICATORS LTD.
Units 6-8, Sunray Industrial Centre, 1/F
610 Cho Kwong Road, Kowloon
Tel:23489211-4 Fax:(852)27727666
DWG NO. : JB37-AS-3301 REV. : -



1 PART PLAN
3301 (T3-E) 6/F~40/F

7

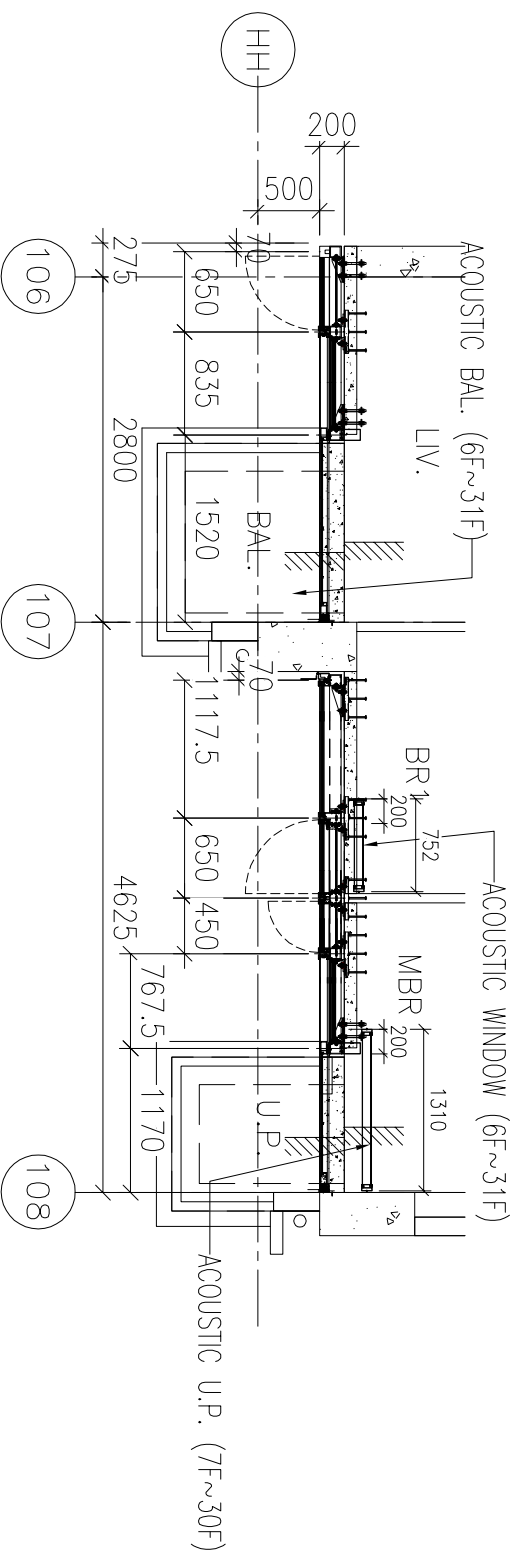
9



2 PART PLAN
3301 (T3-F) 6/F~40/F

2

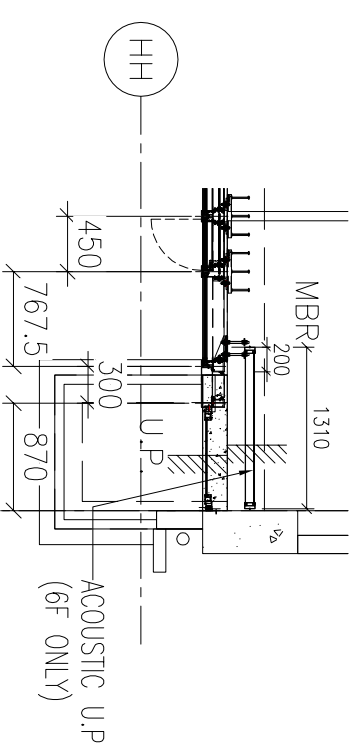
4



3 PART PLAN
3301 (T3-M) 6/F~31/F

107

108



3A PART PLAN
3301 (T3-M) 6/F ONLY

108

B.D. REF :

CLIENT :

信和置業有限公司
Sino Land Company Limited

ARCHITECT :

WONG TUNG & PARTNERS LIMITED
ARCHITECTS & PLANNERS
WTF

MAIN CONTRACTOR :

CR Construction Company Limited

STRUCTURAL ENGINEER :

AECOM
AECOM
AECOM
FACADE CONSULTANT:

- NOTE :
1. ALL DIMENSIONS ARE IN mm.
 2. ALL ELEVATIONS ARE VIEWED FROM OUTSIDE.
 3. ALL DIMENSIONS TO BE VERIFIED ON SITE BEFORE FABRICATION.

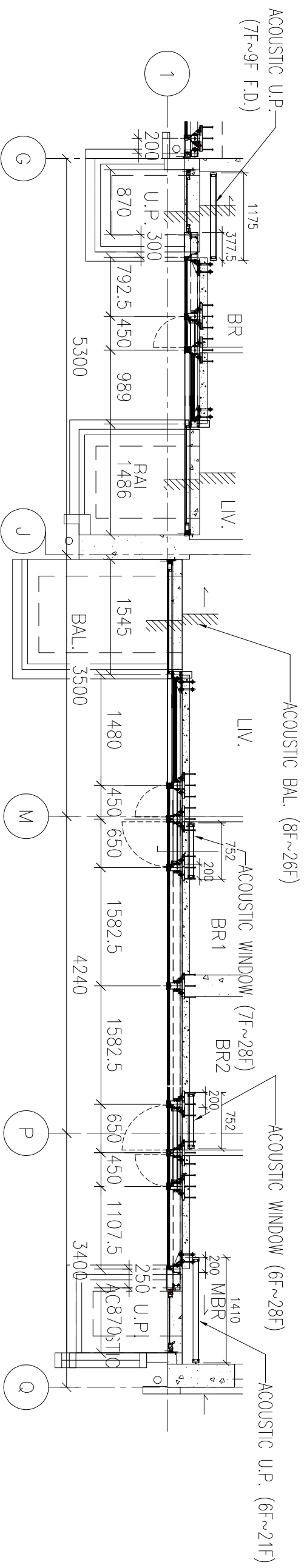
LEGEND :

- (X1) DETAIL MARK NO.
(X00) REFER SHEET NO.
1. F.F.L. -- FINISHED FLOOR LEVEL
 2. S.F.L. -- STRUCTURAL FLOOR LEVEL
 3. (R) -- REVERSED DETAIL

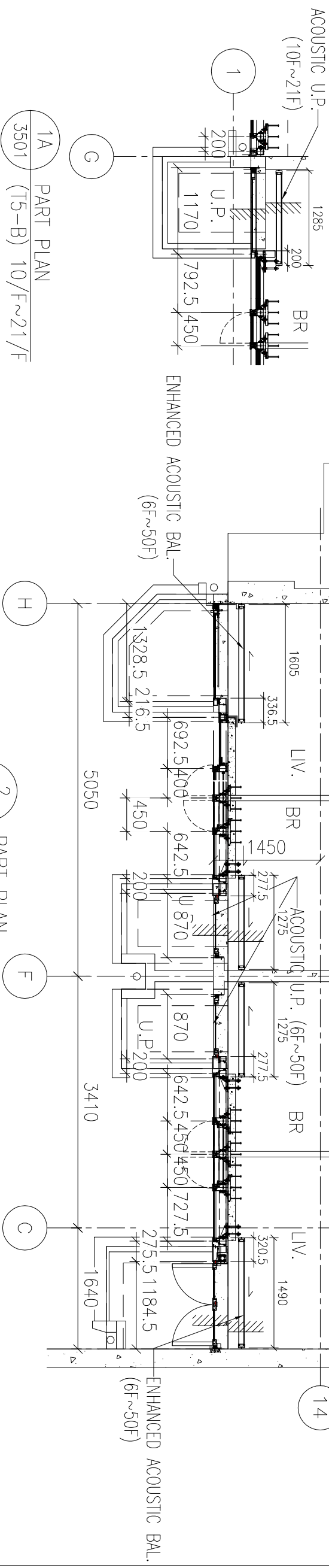
NO.	DATE	REVISION

JOB NO. : J-837
PROJECT : URA KWUN TONG TOWN CENTRE REDEVELOPMENT (AREA 2 & 3) AT MKL 6514, KWUN TONG, KWLOON
TITLE : PART PLAN OF ACOUSTIC SLIDING FOR TOWER 5
DATE : 18-DEC-18 SCALE : 1:30 (A1)
DRAWN BY : ARBUT CHECKED BY : -

UNITED FRONTIER ENGINEERING LTD.
MIDI AUTOMATIC FABRICATOR LTD.
Units 6-8, Sunny Industrial Centre, 1/F
610 Cho Kwong Road, Kowloon
Tel: 23489211-4 Fax: (852) 27727666
DWG NO. : J837-AS-3501 REV. : -

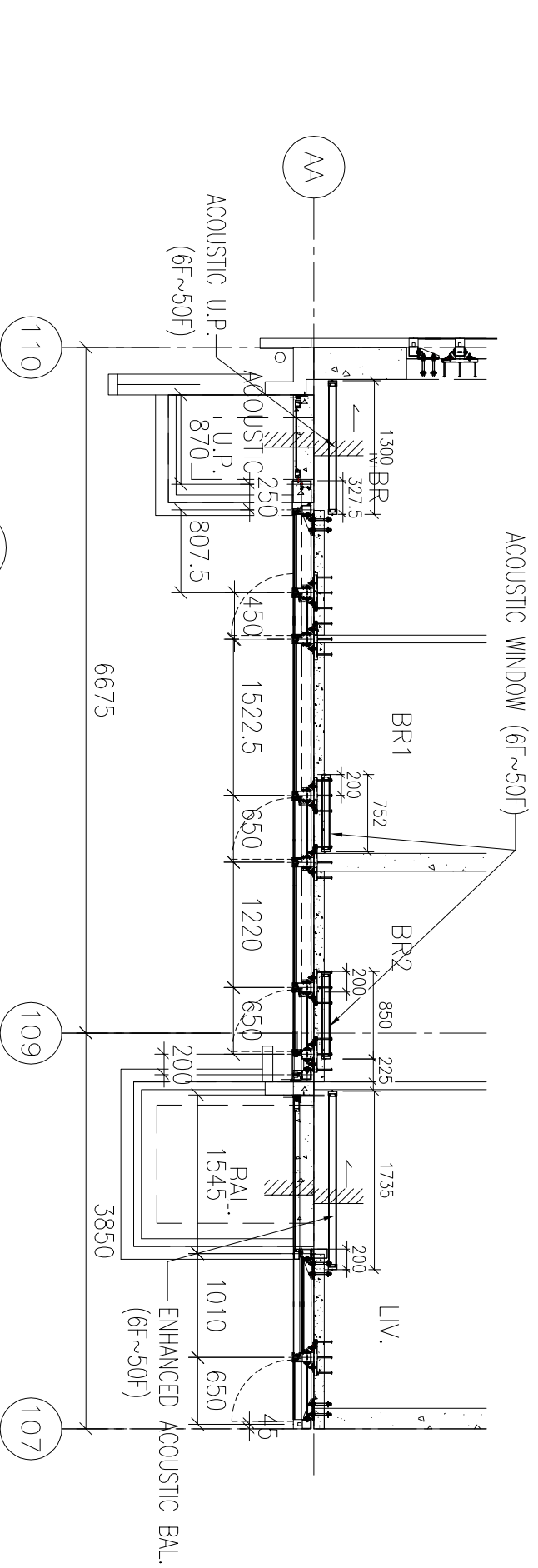


1 PART PLAN
3501 (T5-B_A) 7/F~28/F



1A PART PLAN
3501 (T5-B) 10/F~21/F

2 PART PLAN
3501 (T5-JK) 6/F~50/F



3 PART PLAN
3501 (T5-L) 6/F~50/F

B.D. REF :

CLIENT :
信和置業有限公司
Sino Land Company Limited

ARCHITECT :
WONG TUNG & PARTNERS LIMITED
ARCHITECTS & PLANNERS
WTP

MAIN CONTRACTOR :
CR Construction Company Limited

STRUCTURAL ENGINEER :
AECOM

FAÇADE CONSULTANT :
AECOM

NOTE :
1. ALL DIMENSIONS ARE IN mm.
2. ALL ELEVATIONS ARE VIEWED FROM OUTSIDE.
3. ALL DIMENSIONS TO BE VERIFIED ON SITE BEFORE FABRICATION.

LEGEND :
⑪ -- DETAIL MARK NO.
⑫⑬ -- REFER SHEET NO.
1. F.F.L. -- FINISHED FLOOR LEVEL
2. S.F.L. -- STRUCTURAL FLOOR LEVEL
3. Ⓡ -- REVERSED DETAIL

NO.	DATE	REVISION	BY
-----	------	----------	----

JOB NO. : J-837

PROJECT :
URA KWUN TONG TOWN CENTRE
REDEVELOPMENT (AREA 2 & 3) AT
MKL 6514, KWUN TONG, KWLOON

TITLE :
PART PLAN
OF ACOUSTIC SLIDING
FOR TOWER 5

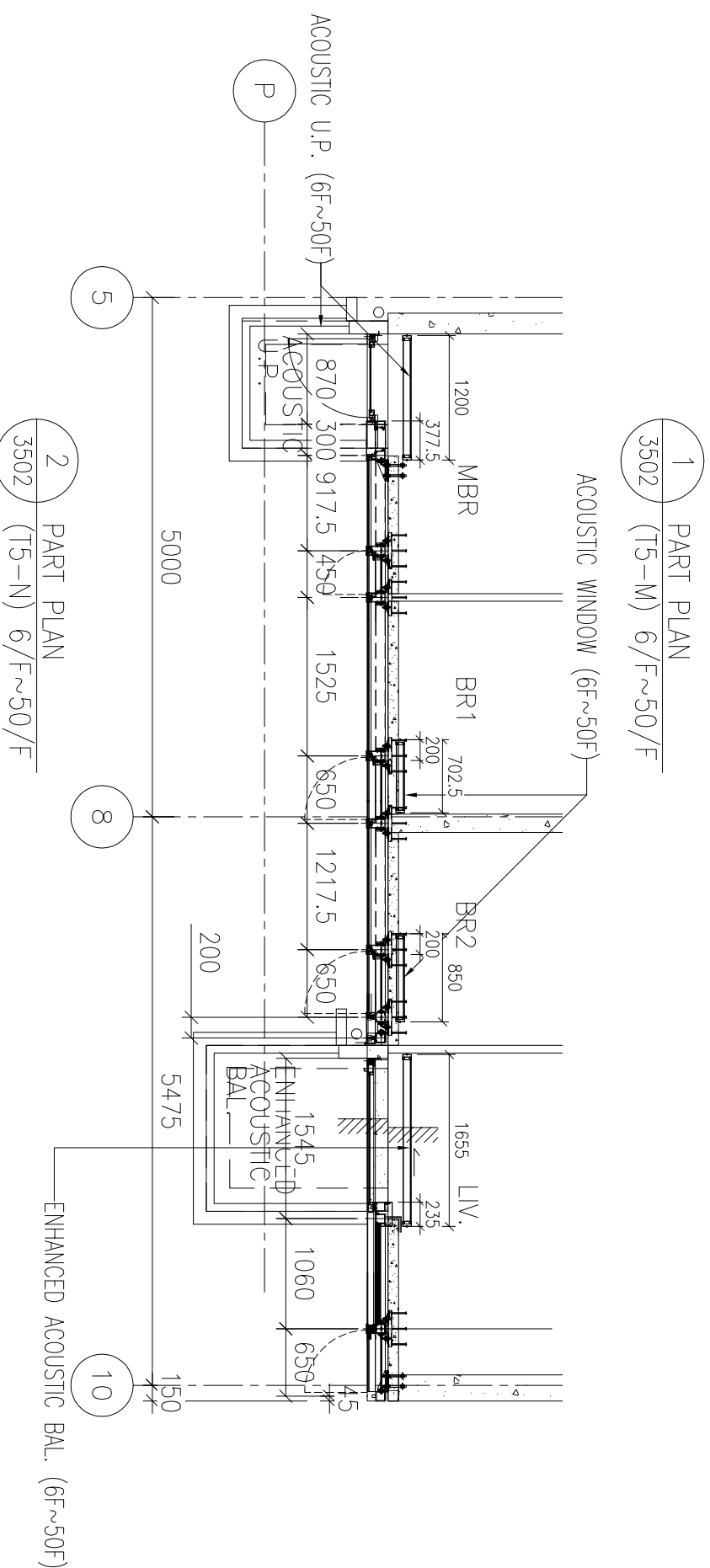
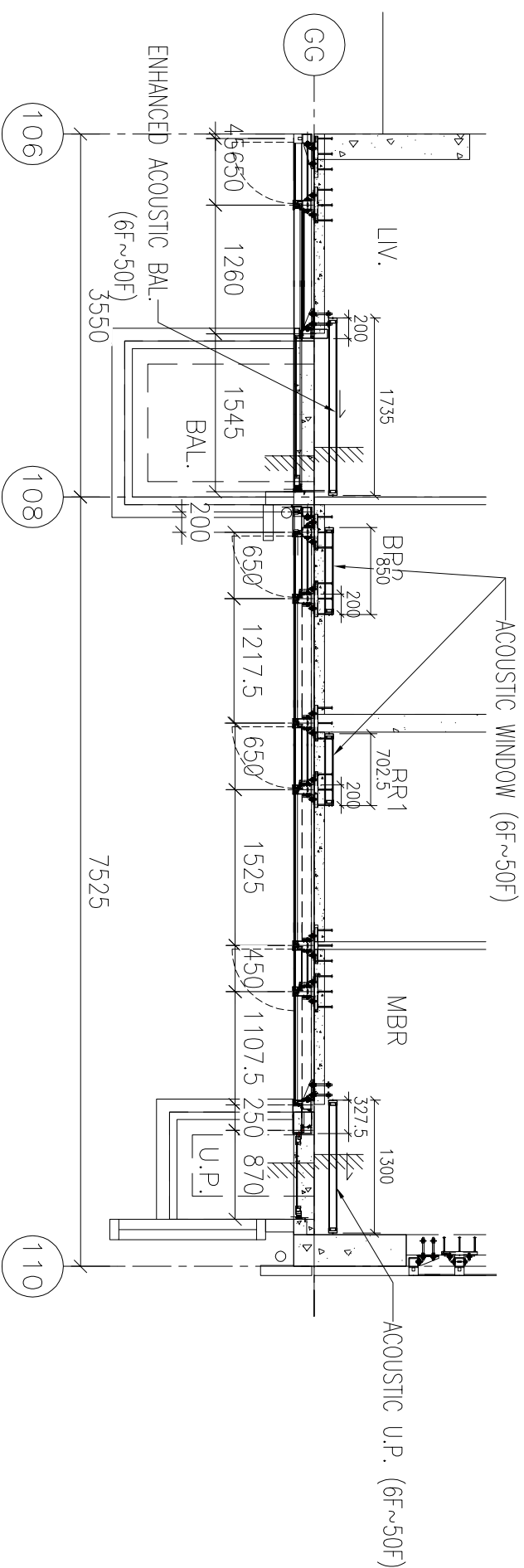
DATE : 18-DEC-18 SCALE : 1:30 (A1)

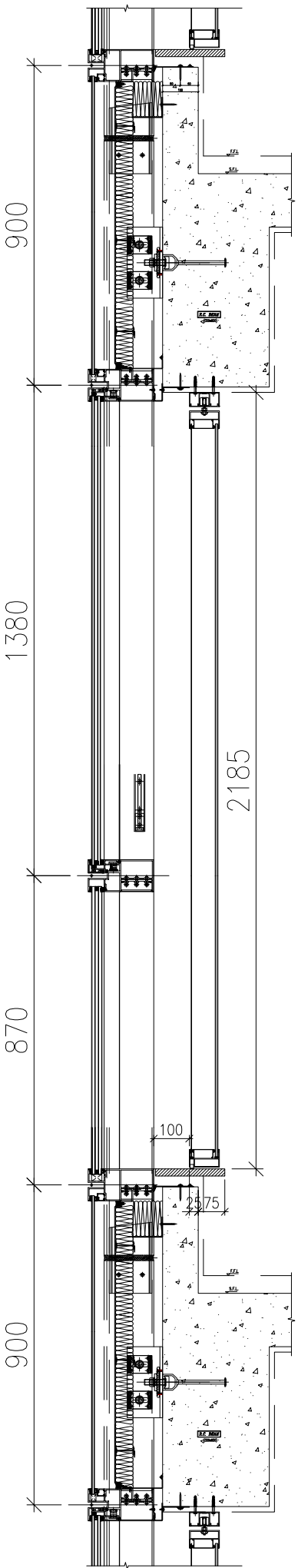
DRAWN BY : ARBUT CHECKED BY : -

美特鋁業有限公司
MIDI ALUMINIUM FABRICATOR LTD.
Units 6-8, Sunny Industrial Centre, 1/F
610 Cho Kwong Road, Kowloon
Tel:23489211-4 Fax:(852)27272666

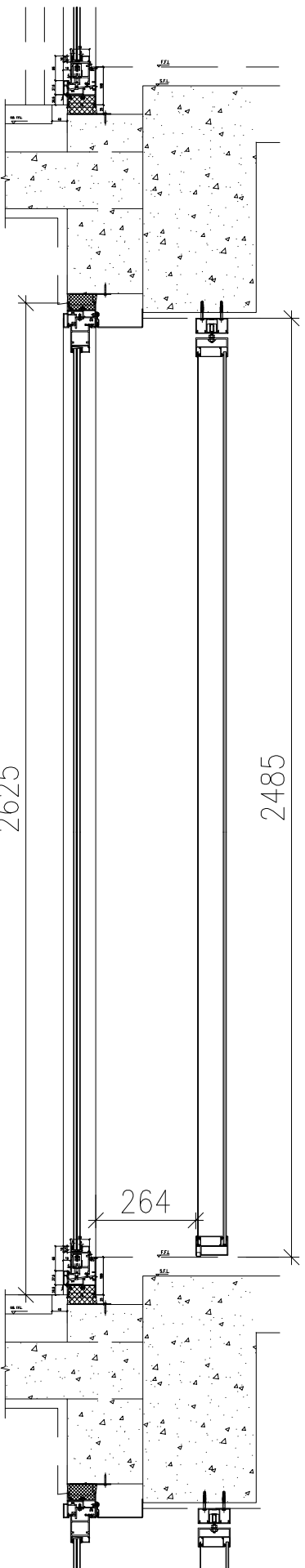
DWG NO. : J837-AS-3502

REV. : -

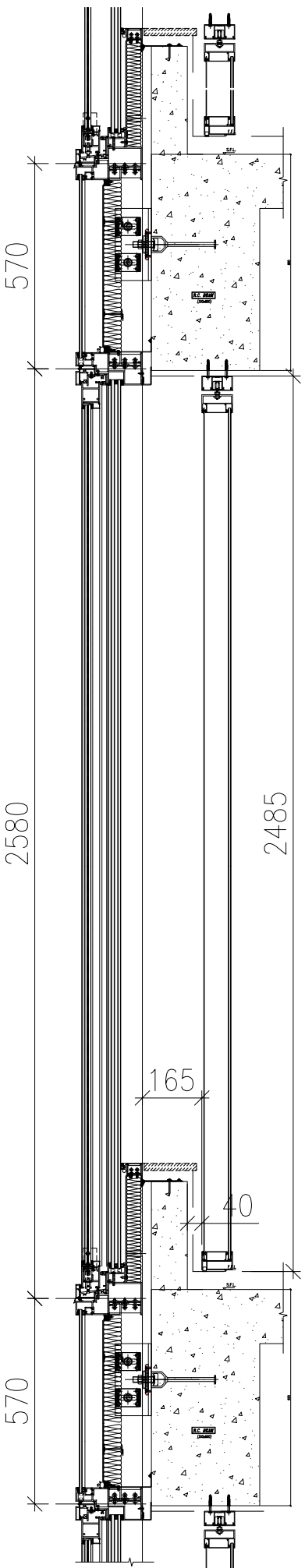




3 PART SECTION
4001 FOR WINDOW



2 PART SECTION
4001 FOR S.D. AND F.D.



1 PART SECTION
4001 FOR S.D. AND F.D.

B.D. REF :

CLIENT :
信和置業有限公司
Sino Land Company Limited

ARCHITECT :
WONG TUNG & PARTNERS LIMITED
ARCHITECTS & PLANNERS

MAIN CONTRACTOR :
CR Construction Company Limited

STRUCTURAL ENGINEER :
AECOM

FAÇADE CONSULTANT:
AECOM

NOTE :
1. ALL DIMENSIONS ARE IN mm.
2. ALL ELEVATIONS ARE VIEWED FROM OUTSIDE.
3. ALL DIMENSIONS TO BE VERIFIED ON SITE BEFORE FABRICATION.

LEGEND :
ⓧ1 --- DETAIL MARK NO.
ⓧ001 --- REFER SHEET NO.
1. F.F.L. --- FINISHED FLOOR LEVEL
2. S.F.L. --- STRUCTURAL FLOOR LEVEL
3. ⓧR --- REVERSED DETAIL

NO.	DATE	REVISION

JOB NO. : J-837

PROJECT :
URA KWUN TONG TOWN CENTRE
REDEVELOPMENT (AREA 2 & 3) AT
MKIL 6514, KWUN TONG, KWLOON

TITLE :
TYPICAL SECTIONS FOR
ACOUSTIC WINDOW AND S.D.

DATE : 13-JUL-18
SCALE : 1:2 (A1)

DRAWN BY : ASING
CHECKED BY : -

UNITED ALUMINIUM FABRICATOR LTD.
MIDI
Units 6-8, Sunny Industrial Centre, 1/F
610 Cho Kwong Road, Kowloon
Tel: (2348)211-4 Fax: (852)27727666
DWG NO. : J837-AS-4001
REV. : -

B.D. REF :

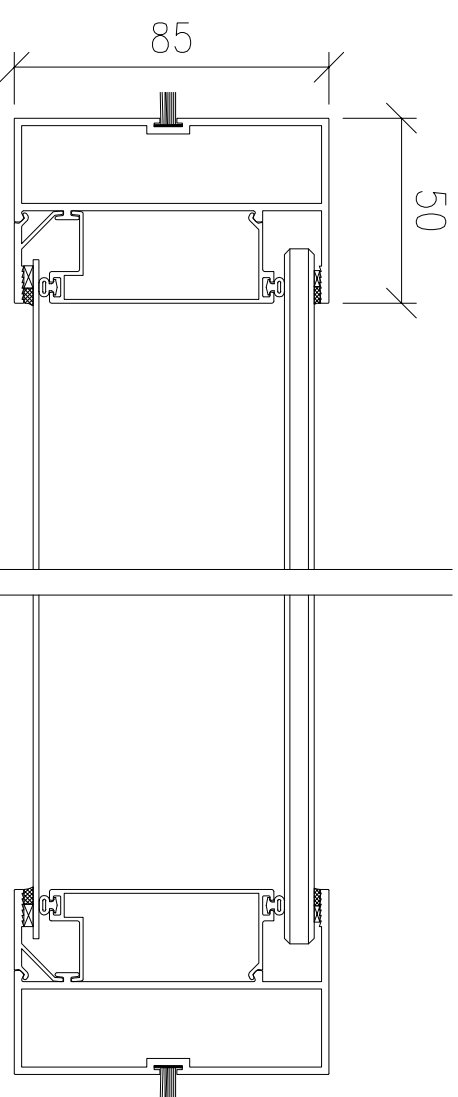
CLIENT :
信和置業有限公司
Sino Land Company Limited

ARCHITECT :
WONG TUNG & PARTNERS LIMITED
ARCHITECTS & PLANNERS
WTP

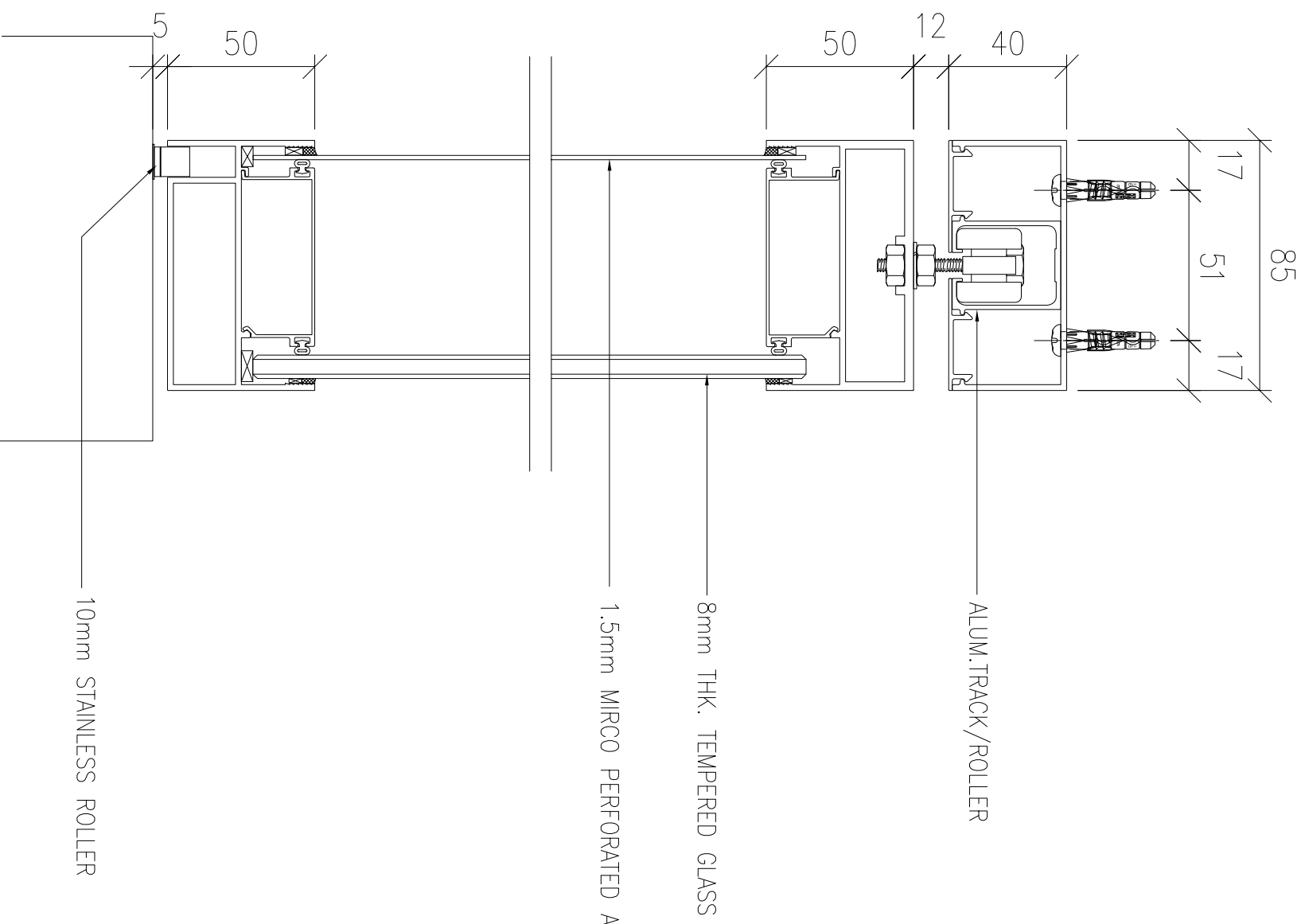
MAIN CONTRACTOR :
CR Construction Company Limited

STRUCTURAL ENGINEER :
AECOM
FAÇADE CONSULTANT:
AECOM

NOTE :
1. ALL DIMENSIONS ARE IN mm.
2. ALL ELEVATIONS ARE VIEWED FROM OUTSIDE.
3. ALL DIMENSIONS TO BE VERIFIED ON SITE BEFORE FABRICATION.
LEGEND :
⊗11 — DETAIL MARK NO.
⊗000 — REFER SHEET NO.
1. F.F.L. -- FINISHED FLOOR LEVEL
2. S.F.L. -- STRUCTURAL FLOOR LEVEL
3. Ⓡ -- REVERSED DETAIL



OUT-SIDE
PLAN VIEW



SECTION VIEW

OUT-SIDE

10mm STAINLESS ROLLER

ALUM. TRACK/ROLLER

8mm THK. TEMPERED GLASS

1.5mm MIRCRO PERFORATED ABSORBER

NO.	DATE	REVISION	BY
JOB NO. : J-837			
PROJECT : URA KWUN TONG TOWN CENTRE REDEVELOPMENT (AREA 2 & 3) AT MKL 6514, KWUN TONG, KWLOON			
TITLE : TYPICAL DETAIL FOR ACOUSTIC WINDOW AND S.D.			
DATE : 13-JUL-18	SCALE : 1:2 (A1)		
DRAWN BY : ASING	CHECKED BY : -		

美特鋁業有限公司
MIDI ALUMINIUM FABRICATOR LTD.
Units 6-8, Sunny Industrial Centre, 1/F
610 Cho Kwong Road, Kowloon
Tel:23489211-4 Fax:(852)27727666
DWG NO. : J837-AS-5001

B.D. REF :

CLIENT :
信和置業有限公司
Sino Land Company Limited

ARCHITECT :
WONG TUNG & PARTNERS LIMITED
ARCHITECTS & PLANNERS
WTP

MAIN CONTRACTOR :
CR Construction Company Limited

STRUCTURAL ENGINEER :
AECOM
FAÇADE CONSULTANT:
AECOM

NOTE :
1. ALL DIMENSIONS ARE IN mm.
2. ALL ELEVATIONS ARE VIEWED FROM OUTSIDE.
3. ALL DIMENSIONS TO BE VERIFIED ON SITE BEFORE FABRICATION.
LEGEND :
⑪ -- DETAIL MARK NO.
⑫⑬ -- REFER SHEET NO.
1. F.F.L. -- FINISHED FLOOR LEVEL
2. S.F.L. -- STRUCTURAL FLOOR LEVEL
3. (R) -- REVERSED DETAIL

NO.	DATE	REVISION	BY

JOB NO. : J-837

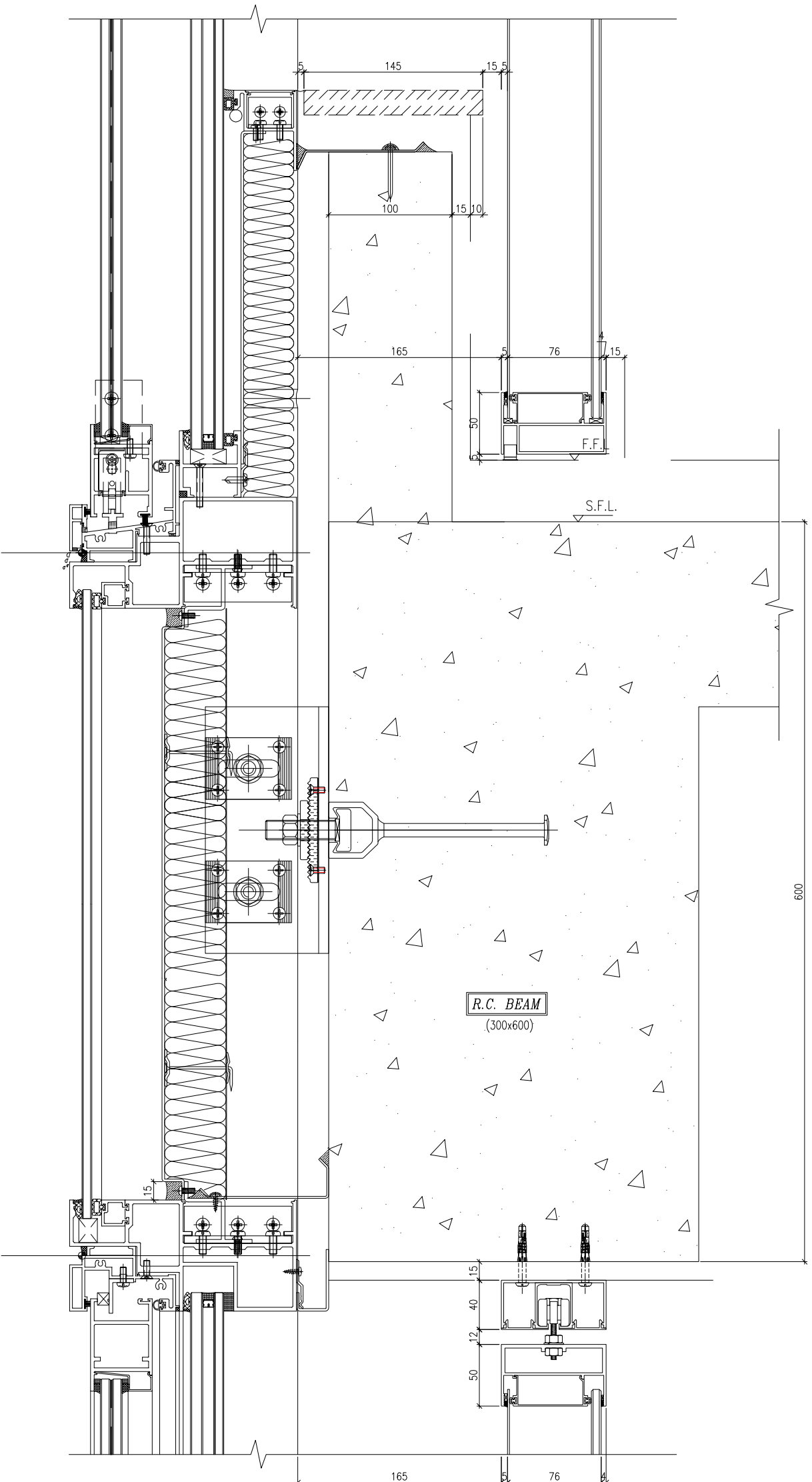
PROJECT :
URA KWUN TONG TOWN CENTRE
REDEVELOPMENT (AREA 2 & 3) AT
MKIL 6514, KWUN TONG, KWLOON

TITLE :
TYPICAL DETAIL FOR
ACOUSTIC WINDOW AND S.D.

DATE : 13-JUL-18 SCALE : 1:4 (A1)

DRAWN BY : ASING CHECKED BY : -

MIDI 美特鋁質有限公司
MIDI ALUMINIUM FABRICATOR LTD.
Units 6-8, Sunny Industrial Centre, 1/F
610 Cho Kwong Road, Kowloon
Tel: (2348)211-4 Fax: (852)27727666
DWG NO. : JB37-AS-6001 REV. : -



B.D. REF :

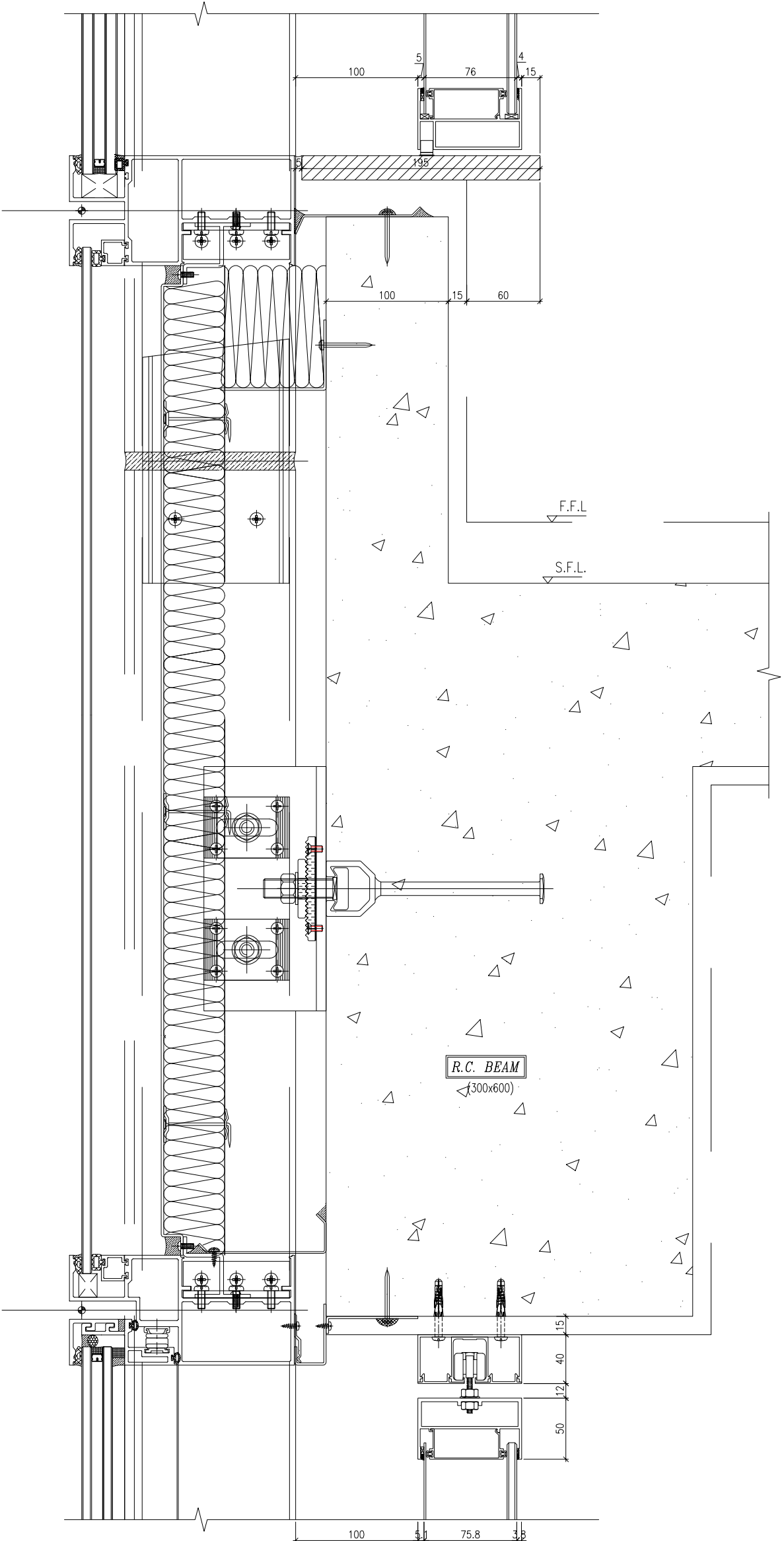
CLIENT :
信和置業有限公司
Sino Land Company Limited

ARCHITECT :
WONG TUNG & PARTNERS LIMITED
ARCHITECTS & PLANNERS
WTP

MAIN CONTRACTOR :
CR Construction Company Limited

STRUCTURAL ENGINEER :
AECOM
FAÇADE CONSULTANT:
AECOM

NOTE :
1. ALL DIMENSIONS ARE IN mm.
2. ALL ELEVATIONS ARE VIEWED FROM OUTSIDE.
3. ALL DIMENSIONS TO BE VERIFIED ON SITE BEFORE FABRICATION.
LEGEND :
ⓧ1 --- DETAIL MARK NO.
ⓧ200 --- REFER SHEET NO.
1. F.F.L. -- FINISHED FLOOR LEVEL
2. S.F.L. -- STRUCTURAL FLOOR LEVEL
3. (R) -- REVERSED DETAIL



TITLE :
TYPICAL DETAIL FOR
ACOUSTIC WINDOW AND S.D.

DATE : 13-JUL-18
SCALE : 1:4 (A1)

PROJECT :
URA KWUN TONG TOWN CENTRE
REDEVELOPMENT (AREA 2 & 3) AT
MKL 6514, KWUN TONG, KWLOON

JOB NO. : J-837

NO. DATE REVERSED BY

DATE : 13-JUL-18
SCALE : 1:4 (A1)
DRAWN BY : ASING
CHECKED BY : -
MIDI 美特鋁質有限公司
Units 6-8, Sunny Industrial Centre, 1/F
610 Cho Kwong Road, Kowloon
Tel: (852) 27727666 Fax: (852) 27727666
DWG NO. : J837-AS-6003
REV. : -