



工程指示 / 要求簡箋(E.I.)

工程指示編號：EI / 0879 / 19 修改版次：
 工程編號 : J - 837 工程名稱 : 觀塘裕民坊
 工程項目 : 特式層 佛沙轉後裝窗 TH 窗放樣
 收件人 : 永林哥 發件人 : Bessie Lau 日期 : 24/07/2019

要求提供 / 確認 事項 :

- | | | |
|-------------------------------------|-------------------------------------|-------------------------------|
| <input type="checkbox"/> 初步鋁料 B.M. | <input type="checkbox"/> 加工拆圖，然後生產 | <input type="checkbox"/> 尺寸表 |
| <input type="checkbox"/> 正式鋁料 B.M. | <input type="checkbox"/> 技術上資料 / 指示 | <input type="checkbox"/> 報價 |
| <input type="checkbox"/> 配件 B.M. | <input type="checkbox"/> 樣辦或貨品說明書 | <input type="checkbox"/> 分判合約 |
| <input type="checkbox"/> 其他 : _____ | | |

內容 :

煩請提供 T2W/55G-BR3 及 T3W/52D-LIV 的 ^{Top Hung 窗} TH 窗放樣，跟 837 幕牆用東城 2021B28" 扇撐，謝謝!

(暫不用計 BM 及拆圖)

附 CAD 檔: 20190722CAD.rar

請在 27/7/2019 前完成上列要求。

附有關圖紙 / 文件 :

以上項目為:

- 原合約工程包 原合約工程加 / 減賬 新工程報價

原因 :-

分發東莞各部門 :

- () 生產技術總監 連附件 () 技術部 連附件 () 生產部 連附件 () 機械設計部 連附件
 () 採購部 連附件 () 生產統籌部 連附件
 () 質檢部 連附件 () 會計部 連附件 () 報關組 連附件 () 其他 _____ 連附件

分發香港各部門 :

- () 行政部 連附件 () 會計部 連附件 () 統籌部 連附件 () 工程部地盤科文 連附件
 () 採購部 連附件 () QS 部 連附件 () 維修部 連附件 () 其他 _____ 連附件

傳遞編號 :

Handwritten: H61096/19

發件人簽署 :

Handwritten signature of Bessie Lau

項目經理簽署 :

Handwritten signature of Project Manager

PROJECT :

URA KWUN TONG TOWN CENTRE

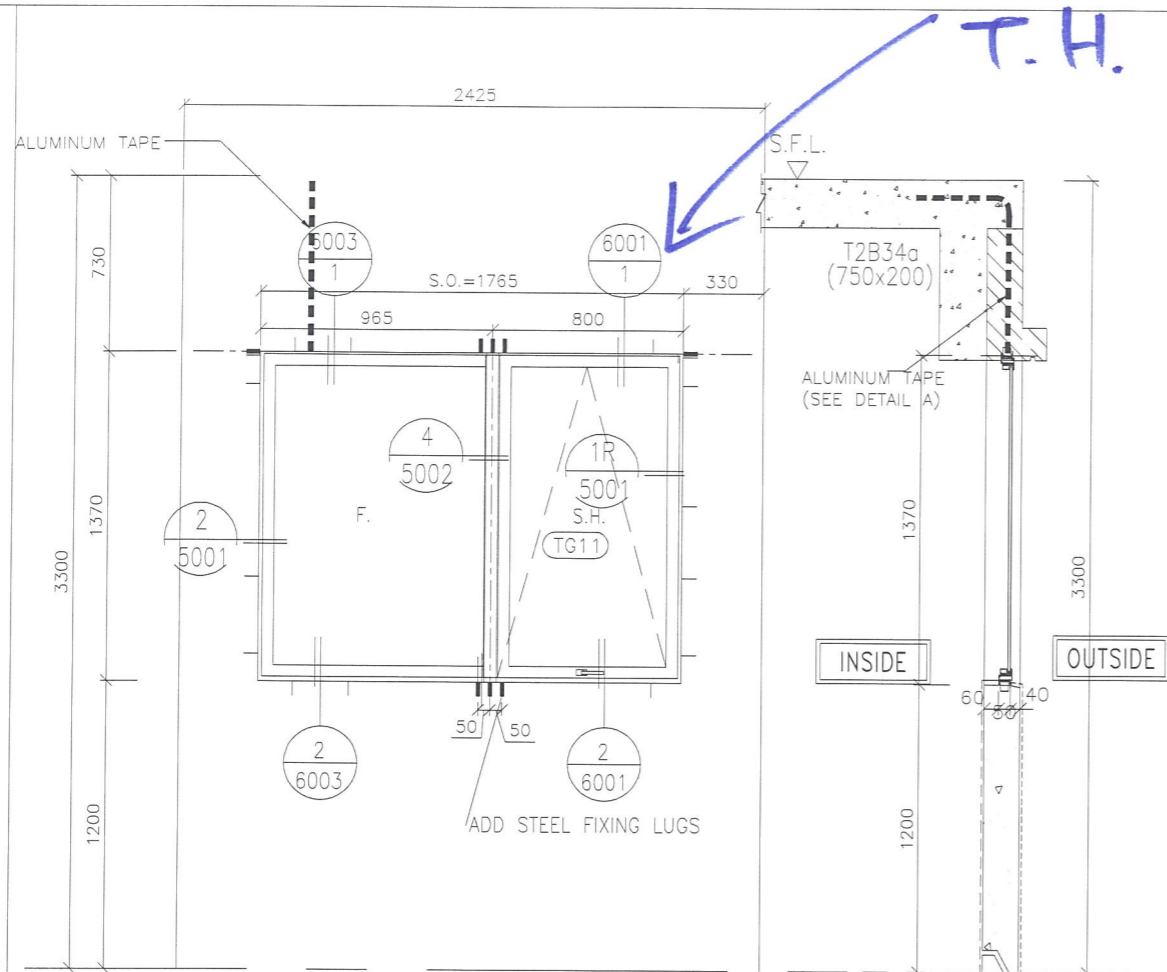
REDEVELOPMENT (AREA 2 & 3) AT NKIL 6514, KWUN TONG, KOWLOON

UC/39056 /837
3

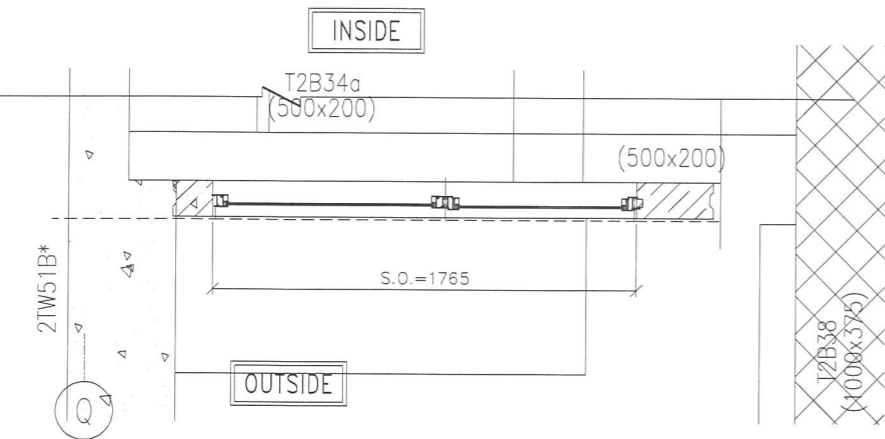
TITLE : SHOP DRAWING FOR PRECAST WINDOW CHANGES TO IN SITU
FOR TOWER 1 TO TOWER 5

DATE: 23 - JULY - 2019

ELEVATION



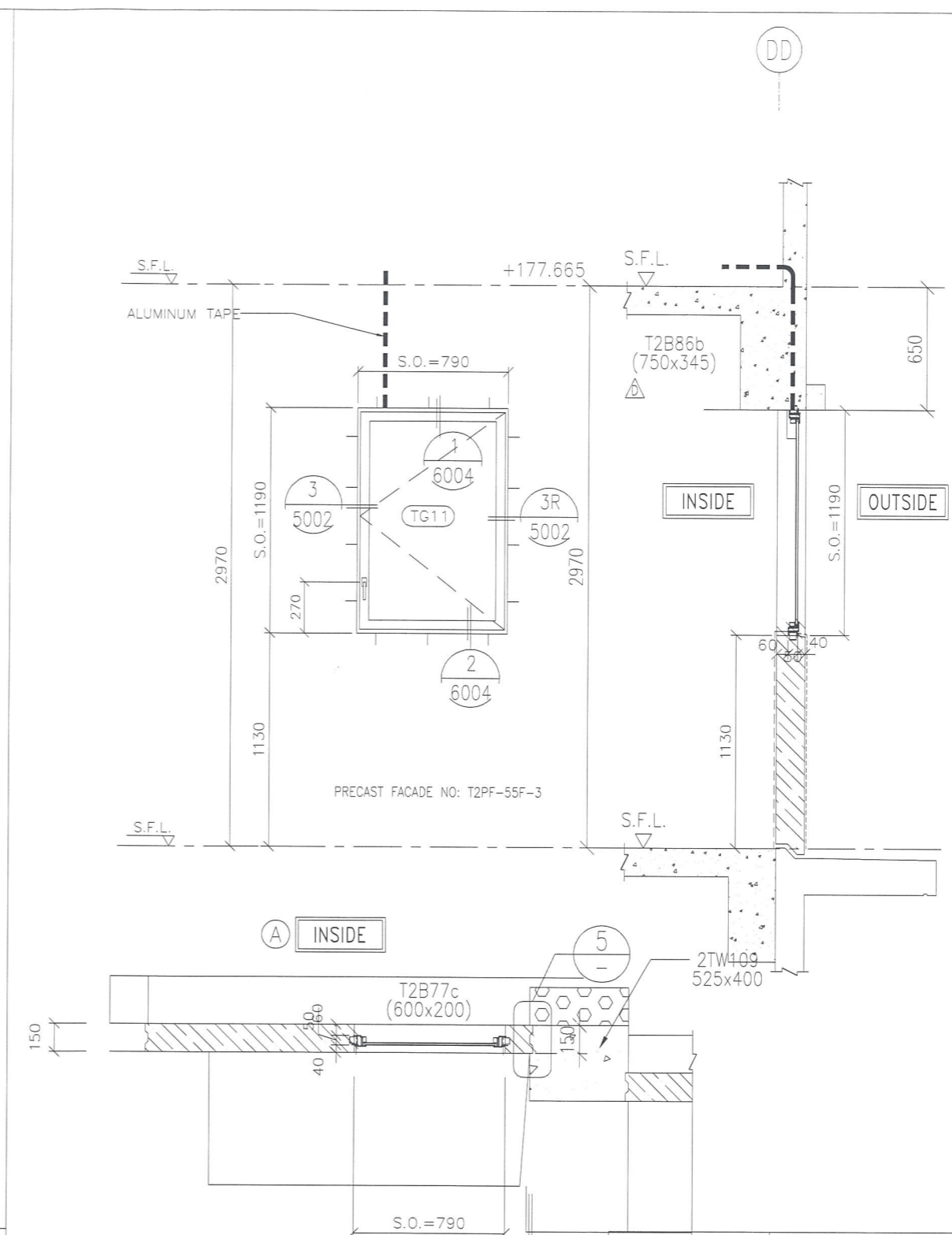
PRECAST FACADE NO:T2PF-55F-H-5



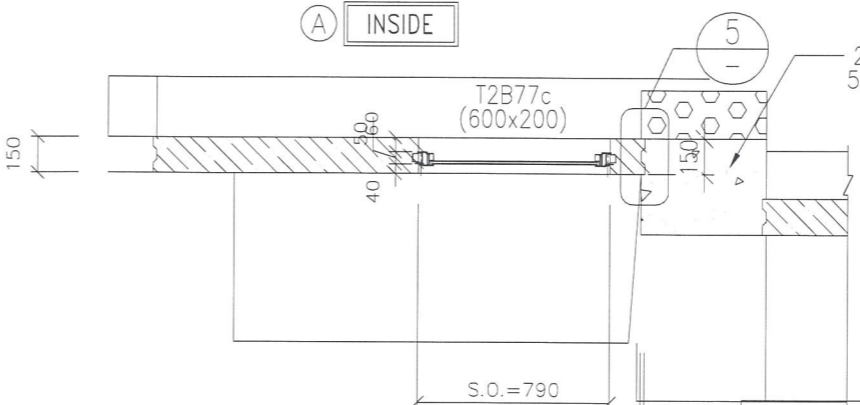
GLAZING AREA	Required = 0.83
	Provided = 1.94
OPENABLE AREA	Required = 0.855
	Provided = 1.35

NEW S.O.	1765(W)*1370(H)
ORIGINAL S.O.	1725(W)*1330(H)

WINDOW MARK	T2W 55G-BR3
SECTION :	50mm ALUM. SECTION
QTY.	1 NOS.
LOCATION :	T2 55/F FLAT G BR3
GLAZING	8mm THK. CLEAR TEMPERED GLASS
REMARK :	



PRECAST FACADE NO: T2PF-55F-3



GLAZING AREA	Required = 0.552
	Provided = 0.552
OPENABLE AREA	Required = 0.635
	Provided = 0.635

NEW S.O.	790(W)*1190(H)
ORIGINAL S.O.	750(W)*1150(H)

WINDOW MARK	T2W 55F-6
SECTION :	50mm ALUM. SECTION
QTY.	1 NOS. (55F)
LOCATION :	55/F COMMON CORRIDOR(TO BE CONFIRMED)
GLAZING	8mm THK ACID ETCHED FROSTED TEMPERED GLASS
REMARK :	OPENABLE WINDOW

B.D. REF : _____

CLIENT : 信和置業有限公司 Sino Land Company Limited

ARCHITECT : WONG TUNG & PARTNERS LIMITED ARCHITECTS & PLANNERS

MAIN CONTRACTOR : CR Construction Company Limited

STRUCTURAL ENGINEER : AECOM

FACADE CONSULTANT : _____

NOTE :
 1. ALL DIMENSIONS ARE IN mm.
 2. ALL ELEVATIONS ARE VIEWED FROM OUTSIDE.
 3. ALL DIMENSIONS TO BE VERIFIED ON SITE BEFORE FABRICATION.

LEGEND :
 (X1) --- DETAIL MARK NO.
 (X001) --- REFER SHEET NO.
 1. F.F.L. --- FINISHED FLOOR LEVEL
 2. S.F.L. --- STRUCTURAL FLOOR LEVEL
 3. (R) --- REVERSED DETAIL

NO.	DATE	REVISED	BY

JOB NO. : J-837

PROJECT : URA KWUN TONG TOWN CENTRE REDEVELOPMENT (AREA 2 & 3) AT NKIL 6514, KWUN TONG, KOWLOON

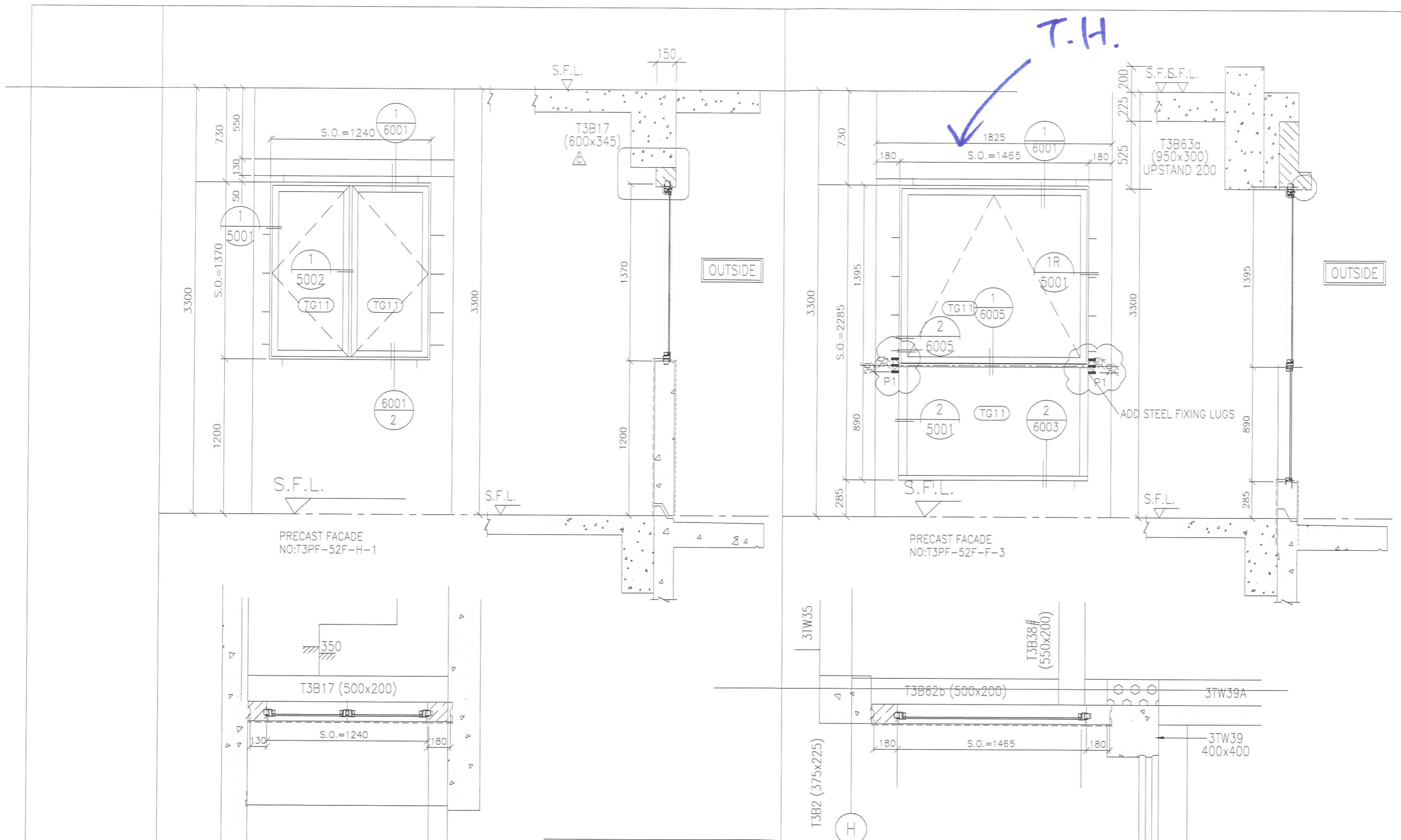
TITLE : ALUM. WINDOW SCHEDULE (FOR T2)

DATE : 30-AUG-18 SCALE : 1:30

DRAWN BY : Zeng CHECKED BY : DW

MIDI ALUMINIUM FABRICATOR LTD.
 Units 6-8, Sunray Industrial Centre, 1/F
 610 Cha Kwo Ling Road, Kowloon
 Tel:23489211-4 Fax:(852)2727666

DWG NO. : J837-PIW-2211 REV. : -



NEW S.O.	1240(W)*1370(H)
ORIGINAL S.O.	1200(W)*1330(H)

GLAZING AREA	Required =0.616
	Provided =1.33
OPENABLE AREA	Required =0.385
	Provided =1.25

NEW S.O.	1465(W)*2285(H)
ORIGINAL S.O.	1425(W)*2245(H)

GLAZING AREA	Required =0.616
	Provided =1.33
OPENABLE AREA	Required =0.385
	Provided =1.25

WINDOW MARK	T3W 52H-BR2	T3W 52D-LIV
SECTION :	50mm ALUM. SECTION	50mm ALUM. SECTION
QTY.	1 NOS.	1 NOS.
LOCATION :	T3 52F UNIT H BR2	T3 52F UNIT D LIV.
GLAZING	8mm THK. CLEAR TEMPERED GLASS	8mm THK CLEAR TEMPERED GLASS
REMARK :		

B.D. REF :

CLIENT :
 信和置業有限公司
 Sino Land Company Limited

ARCHITECT :
 WONG TUNG & PARTNERS LIMITED
 ARCHITECTS & PLANNERS

MAIN CONTRACTOR :
 CR Construction Company Limited

STRUCTURAL ENGINEER :
 AECOM

FACADE CONSULTANT:

NOTE :
 1. ALL DIMENSIONS ARE IN mm.
 2. ALL ELEVATIONS ARE VIEWED FROM OUTSIDE.
 3. ALL DIMENSIONS TO BE VERIFIED ON SITE BEFORE FABRICATION.

LEGEND :
 X1 -- DETAIL MARK NO.
 X001 -- REFER SHEET NO.
 1. F.F.L. -- FINISHED FLOOR LEVEL
 2. S.F.L. -- STRUCTURAL FLOOR LEVEL
 3. (R) -- REVERSED DETAIL

NO.	DATE	REVISED	BY

JOB NO. : J-837
 PROJECT :
 URA KWUN TONG TOWN CENTRE
 REDEVELOPMENT (AREA 2 & 3) AT
 NKIL 6514, KWUN TONG, KOWLOON

TITLE :
 ALUM. WINDOW SCHEDULE
 (FOR T3)

DATE : 30-AUG-18 SCALE : 1:##

DRAWN BY : Zeng CHECKED BY : DW

美特鋁質有限公司
 MIDI ALUMINIUM FABRICATOR LTD.
 Units 6-8, Sunray Industrial Centre, 1/F
 610 Cha Kwo Ling Road, Kowloon
 Tel:23489211-4 Fax:(852)2727666

DWG NO. : JB37-PIW-2312 REV. : -