

工程指示 / 要求簡箋(E.I.)

工程指示編號：EI / 0875 / ~~20~~19 修改版次：C
 工程編號 : J - 837 工程名稱 : 觀塘裕民坊
 工程項目 : 放行 Plenum Box 特色層 燈, 補燈
 收件人 : Maggie 發件人 : Ant Yeung 日期 : 24/03/2020

要求提供 / 確認 事項 :

- | | | |
|-------------------------------------|-------------------------------------|-------------------------------|
| <input type="checkbox"/> 初步鋁料 B.M. | <input type="checkbox"/> 加工拆圖, 然後生產 | <input type="checkbox"/> 尺寸表 |
| <input type="checkbox"/> 正式鋁料 B.M. | <input type="checkbox"/> 技術上資料 / 指示 | <input type="checkbox"/> 報價 |
| <input type="checkbox"/> 配件 B.M. | <input type="checkbox"/> 樣辦或貨品說明書 | <input type="checkbox"/> 分判合約 |
| <input type="checkbox"/> 其他 : _____ | | |

內容 :

(原 EI0233)

煩請按此放行 Plenum Box 特色層用。(8個), 已全部生產完成。

另加補(4個) 編林箱到地盤。

(預算 4 月 3 日出貨到地盤, 以地盤通知為準)。

K 字尾要裝 one way flap

已把此 EI 電郵給鴻鵠。

此已按 Site memo 9161 生產, 放行生產。

請在 2020.04.03 前完成上列要求。

附有關圖紙 / 文件 :

以上項目為:

- 原合約工程包 原合約工程加 / 減賬 新工程報價

原因 :- _____

分發東莞各部門 :

- () 生產技術總監 連附件 () 技術部 連附件 () 生產部 連附件 () 機械設計部 連附件
 () 採購部 連附件 () 生產統籌部 連附件
 () 質檢部 連附件 () 會計部 連附件 () 報關組 連附件 () 其他 _____ 連附件

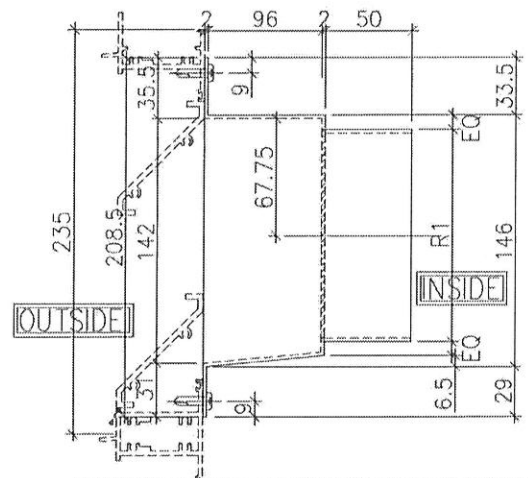
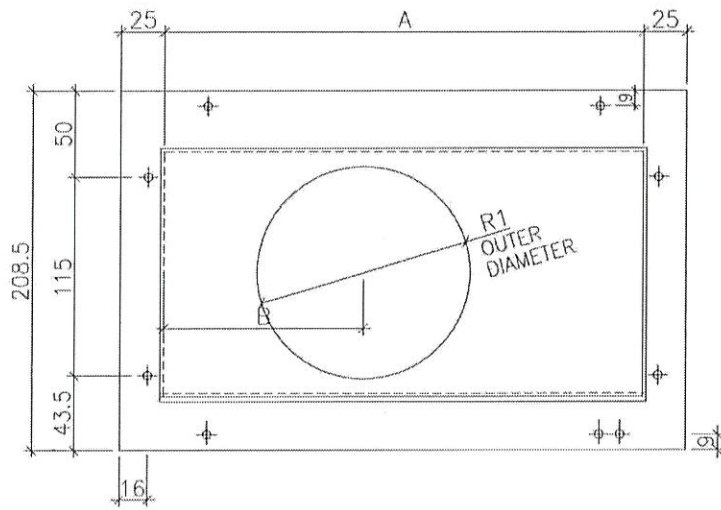
分發香港各部門 :

- () 行政部 連附件 () 會計部 連附件 () 統籌部 連附件 () 工程部地盤科文 連附件 炳哥, 有哥
 () 採購部 連附件 () QS 部 連附件 () 維修部 連附件 () 其他 _____ 連附件

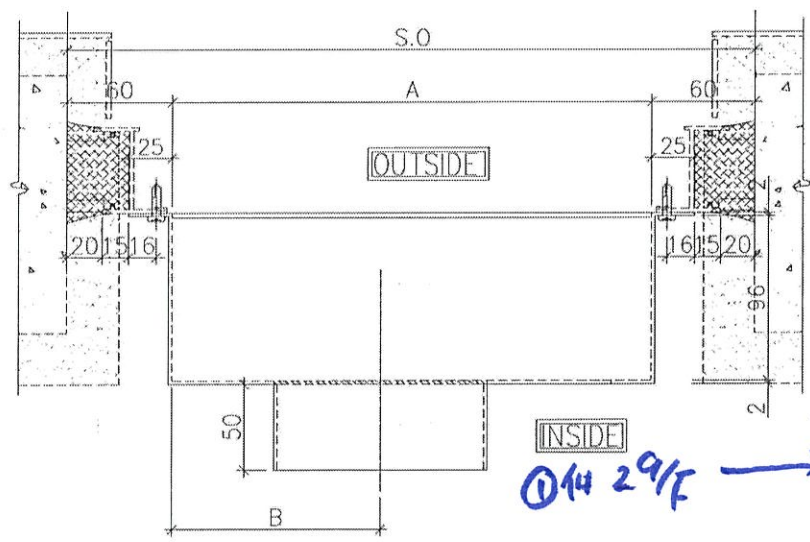
傳遞編號 :

發件人簽署 :

項目經理簽署 :



FOR R1=98,EQ=20.75
FOR R1=123,EQ=8.25



① 14 29/F →
① 14 28/F →

BOX NO.	S.O	A	B	R1	QTY.	LOCATION	WINDOW NO.
T1P/C-B1	585	465	315	123	39	6F (50F)	T1W/C-2
T1P/C-B2	550	430	355	123	39	6F (50F)	T1W/C-3
T1P/A-B	640	520	75	123	38	6F (49F)	T1W/A-2
T1P/H-B1	550	430	355	123	39	6F (50F)	T1W/H-2
T1P/H-B2	585	465	315	123	39	6F (50F)	T1W/H-1
T1P/G-B1	640	520	370	123	39	6F (50F)	T1W/G-3
T1P/G-B2	515	395	320	123	39	6F (50F)	T1W/G-2
T2P/A-B	640	520	395	123	43	6F (55F)	T2W/A-2
T2P/A-B2	640	520	370	123	43	6F (55F)	T2W/A-5
T2P/A-B1	640	520	150	123	43	6F (55F)	T2W/A-4
T2P/B-B1	640	520	370	123	43	6F (55F)	T2W/B-2
T2P/B-B2	640	520	150	123	43	6F (55F)	T2W/B-1
T3P/E-B1	640	520	150	123	41	6F (52F)	T3W/E-1
T3P/E-B2	585	465	315	123	41	6F (52F)	T3W/E-2
T3P/A-B1	640	520	150	123	41	6F (52F)	T3W/A-2
T3P/B-B1	640	520	370	123	41	6F (52F)	T3W/B-2
T3P/A-B2	505	385	235	123	41	6F (52F)	T3W/A-3
T3P/B-B2	640	520	150	123	41	6F (52F)	T3W/B-1
T5P/A-B1	640	520	420	98	38	7F (50F)	T5W/A-4
T5P/M-B1	640	520	150	123	39	6F (60F)	T5W/M-2
T5P/M-B2	640	520	370	123	39	6F (50F)	T5W/M-1
T5P/L-B1	550	430	305	123	39	6F (50F)	T5W/L-4
T5P/L-B2	585	465	150	123	39	6F (50F)	T5W/L-3
T5P/E-B	585	465	150	123	40	6F (51F)	T5W/E-2
T5P/G-B	640	520	200	123	39	6F (50F)	T5W/G-0

B.D. REF: 27

CLIENT: 恒和置業有限公司
Sino Land Company Limited

ARCHITECT: WONG TUNG & PARTNERS LIMITED
ARCHITECTS & PLANNERS

MAIN CONTRACTOR: CR Construction Company Limited

STRUCTURAL ENGINEER: AECOM

FACADE CONSULTANT: i

NOTE:
1. ALL DIMENSIONS ARE IN mm.
2. ALL DIMENSIONS ARE VIEWED FROM OUTSIDE.
3. ALL DIMENSIONS TO BE VERIFIED ON SITE BEFORE FABRICATION.

LEGEND:
① DETAIL MARKING
② REFER TO NO.
1. F.F.L. -- FINISHED FLOOR LEVEL
2. S.F.L. -- STRUCTURE FLOOR LEVEL
3. (R) -- REVERSED SIDE

1	CHK	CHK	CHK	CHK
2	CHK	CHK	CHK	CHK
3	CHK	CHK	CHK	CHK
4	CHK	CHK	CHK	CHK
5	CHK	CHK	CHK	CHK
6	CHK	CHK	CHK	CHK
7	CHK	CHK	CHK	CHK
8	CHK	CHK	CHK	CHK
9	CHK	CHK	CHK	CHK
10	CHK	CHK	CHK	CHK
11	CHK	CHK	CHK	CHK
12	CHK	CHK	CHK	CHK
13	CHK	CHK	CHK	CHK
14	CHK	CHK	CHK	CHK
15	CHK	CHK	CHK	CHK
16	CHK	CHK	CHK	CHK
17	CHK	CHK	CHK	CHK
18	CHK	CHK	CHK	CHK
19	CHK	CHK	CHK	CHK
20	CHK	CHK	CHK	CHK
21	CHK	CHK	CHK	CHK
22	CHK	CHK	CHK	CHK
23	CHK	CHK	CHK	CHK
24	CHK	CHK	CHK	CHK
25	CHK	CHK	CHK	CHK
26	CHK	CHK	CHK	CHK
27	CHK	CHK	CHK	CHK
28	CHK	CHK	CHK	CHK
29	CHK	CHK	CHK	CHK
30	CHK	CHK	CHK	CHK
31	CHK	CHK	CHK	CHK
32	CHK	CHK	CHK	CHK
33	CHK	CHK	CHK	CHK
34	CHK	CHK	CHK	CHK
35	CHK	CHK	CHK	CHK
36	CHK	CHK	CHK	CHK
37	CHK	CHK	CHK	CHK
38	CHK	CHK	CHK	CHK
39	CHK	CHK	CHK	CHK
40	CHK	CHK	CHK	CHK
41	CHK	CHK	CHK	CHK
42	CHK	CHK	CHK	CHK
43	CHK	CHK	CHK	CHK
44	CHK	CHK	CHK	CHK
45	CHK	CHK	CHK	CHK
46	CHK	CHK	CHK	CHK
47	CHK	CHK	CHK	CHK
48	CHK	CHK	CHK	CHK
49	CHK	CHK	CHK	CHK
50	CHK	CHK	CHK	CHK
51	CHK	CHK	CHK	CHK
52	CHK	CHK	CHK	CHK
53	CHK	CHK	CHK	CHK
54	CHK	CHK	CHK	CHK
55	CHK	CHK	CHK	CHK
56	CHK	CHK	CHK	CHK
57	CHK	CHK	CHK	CHK
58	CHK	CHK	CHK	CHK
59	CHK	CHK	CHK	CHK
60	CHK	CHK	CHK	CHK
61	CHK	CHK	CHK	CHK
62	CHK	CHK	CHK	CHK
63	CHK	CHK	CHK	CHK
64	CHK	CHK	CHK	CHK
65	CHK	CHK	CHK	CHK
66	CHK	CHK	CHK	CHK
67	CHK	CHK	CHK	CHK
68	CHK	CHK	CHK	CHK
69	CHK	CHK	CHK	CHK
70	CHK	CHK	CHK	CHK
71	CHK	CHK	CHK	CHK
72	CHK	CHK	CHK	CHK
73	CHK	CHK	CHK	CHK
74	CHK	CHK	CHK	CHK
75	CHK	CHK	CHK	CHK
76	CHK	CHK	CHK	CHK
77	CHK	CHK	CHK	CHK
78	CHK	CHK	CHK	CHK
79	CHK	CHK	CHK	CHK
80	CHK	CHK	CHK	CHK
81	CHK	CHK	CHK	CHK
82	CHK	CHK	CHK	CHK
83	CHK	CHK	CHK	CHK
84	CHK	CHK	CHK	CHK
85	CHK	CHK	CHK	CHK
86	CHK	CHK	CHK	CHK
87	CHK	CHK	CHK	CHK
88	CHK	CHK	CHK	CHK
89	CHK	CHK	CHK	CHK
90	CHK	CHK	CHK	CHK
91	CHK	CHK	CHK	CHK
92	CHK	CHK	CHK	CHK
93	CHK	CHK	CHK	CHK
94	CHK	CHK	CHK	CHK
95	CHK	CHK	CHK	CHK
96	CHK	CHK	CHK	CHK
97	CHK	CHK	CHK	CHK
98	CHK	CHK	CHK	CHK
99	CHK	CHK	CHK	CHK
100	CHK	CHK	CHK	CHK

REV. NO.: J-537

PROJECT: TONG TOWN CENTRE REDEVELOPMENT (AREA 2 & 3) AT KWUN TONG, KOWLOON

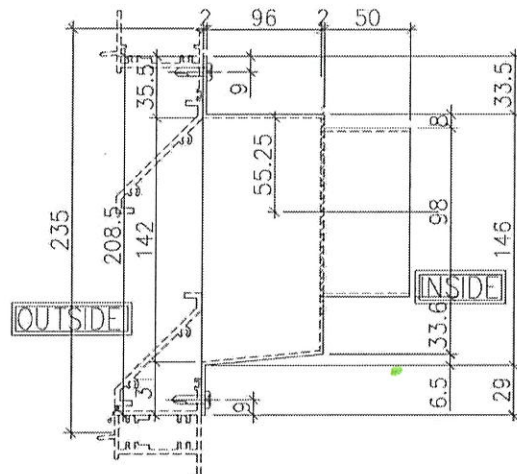
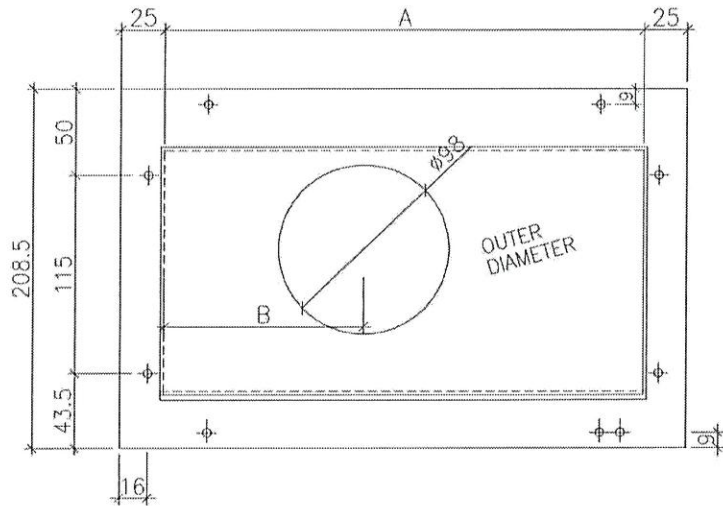
TITLE: TOWER AIR PLENUM BOX SCHEDULE (INSTU FOR BATHROOM)

DATE: 04 JUL 18 SCALE: 1:##

DRAWN BY: ZGH CHECKED BY: LDW

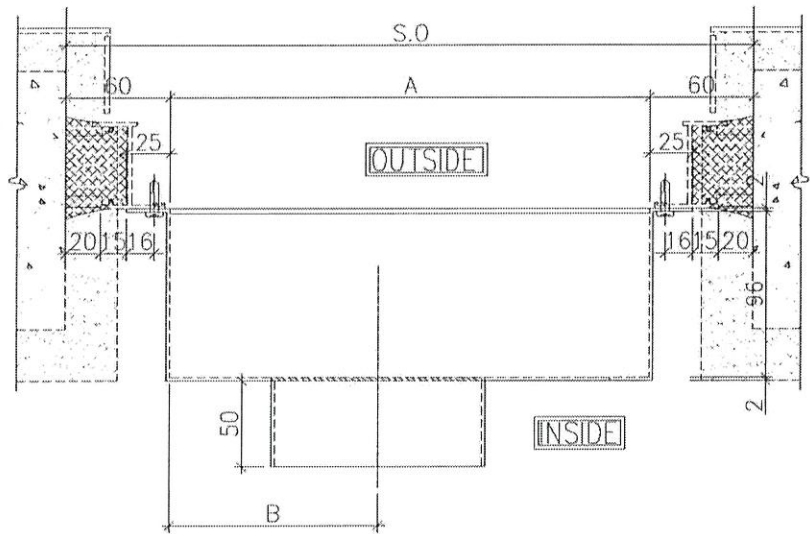
MIDI ARCHITECTURE FABRICATION LTD.
Units 6-8, Sunray Industrial Centre, 1/F
610 Che Kwo Ling Road, Kowloon
Tel: (852) 2387211-4 Fax: (852) 27727666

DWG NO.: JB57- PB-2104 REV.: 0



T2P/N-B

214 51,52/7 →



BOX NO.	S.O	A	B	QTY.	LOCATION	WINDOW NO.
T2P/N-B	640	520	395	43	6F (55F)	T2W/N-2
T5P/G-B	640	520	200	39	6F (50F)	T5W/G-2

B.D. REF :

CLIENT : 信和置業有限公司
Sino Land Company Limited

ARCHITECT : WONG TUNG & PARTNERS LIMITED
ARCHITECT'S SIGNATURE: WT

MAIN CONTRACTOR : CR Construction Company Limited

STRUCTURAL ENGINEER : AECOM

FACADE CONSULTANT:

NOTE:
1. ALL DIMENSIONS ARE IN mm.
2. ALL ELEVATIONS ARE VIEWED FROM OUTSIDE.
3. ALL DIMENSIONS TO BE VERIFIED ON SITE BEFORE FABRICATION.

LEGEND:
① DETAIL MARK NO.
② REFER SHEET NO.
1. F.F.L. -- FINISHED FLOOR LEVEL
2. S.F.L. -- STRUCTURAL FLOOR LEVEL
3. Ⓞ -- REVERSED DETAIL

NO.	DATE	REVISED	BY

JOB NO. : J-837

PROJECT : URA KWUN TONG TOWN CENTRE REDEVELOPMENT (AREA 2 & 3) AT NRHL 6514, KWUN TONG, KOWLOON

TITLE : TOWER AIR PLENUM BOX SCHEDULE (INSITU FOR BATHROOM)

DATE : 04-JUL-18 SCALE : 1:10

DRAWN BY : Zeng CHECKED BY : DW

MIDI ALUMINIUM FABRICATOR LTD.
Units 6-8, Sunny Industrial Centre, 1/F
610 Chee Kwo Ling Road, Kowloon
Tel: (852) 2111-4 Fax: (852) 2727-655

DWG NO. : JB37- PB-2104A REV. : --

21/3/2020

補編林箱尾數

T2P/N-B — 2B. 51F. 52F.

T5P/F-B — 1B. 28F.

T5P/A-B1 — 1B. 29F.

5/15

PROJECT :

MC/3/381/837.

6

URA KWUN TONG TOWN CENTRE
REDEVELOPMENT (AREA 2 & 3) AT NKIL 6514, KWUN TONG, KOWLOON

TITLE : SHOP DRAWING FOR
ALUMINIUM AIR PLENUM BOX (FOR TOWER 1 TO TOWER 5) (FROM 6/F TO 55/F)

DATE: 16 -MAR -2020

 美特鋁質有限公司
MIDI ALUMINIUM FABRICATOR LTD.
Units 6-B, Sunray Industrial Centre, 1/F
610 Che Kwo Ling Road, Kowloon
Tel:23489211-4 Fax:(852)27727666

DWG NO. : J-837-PB-0000 REV. : E

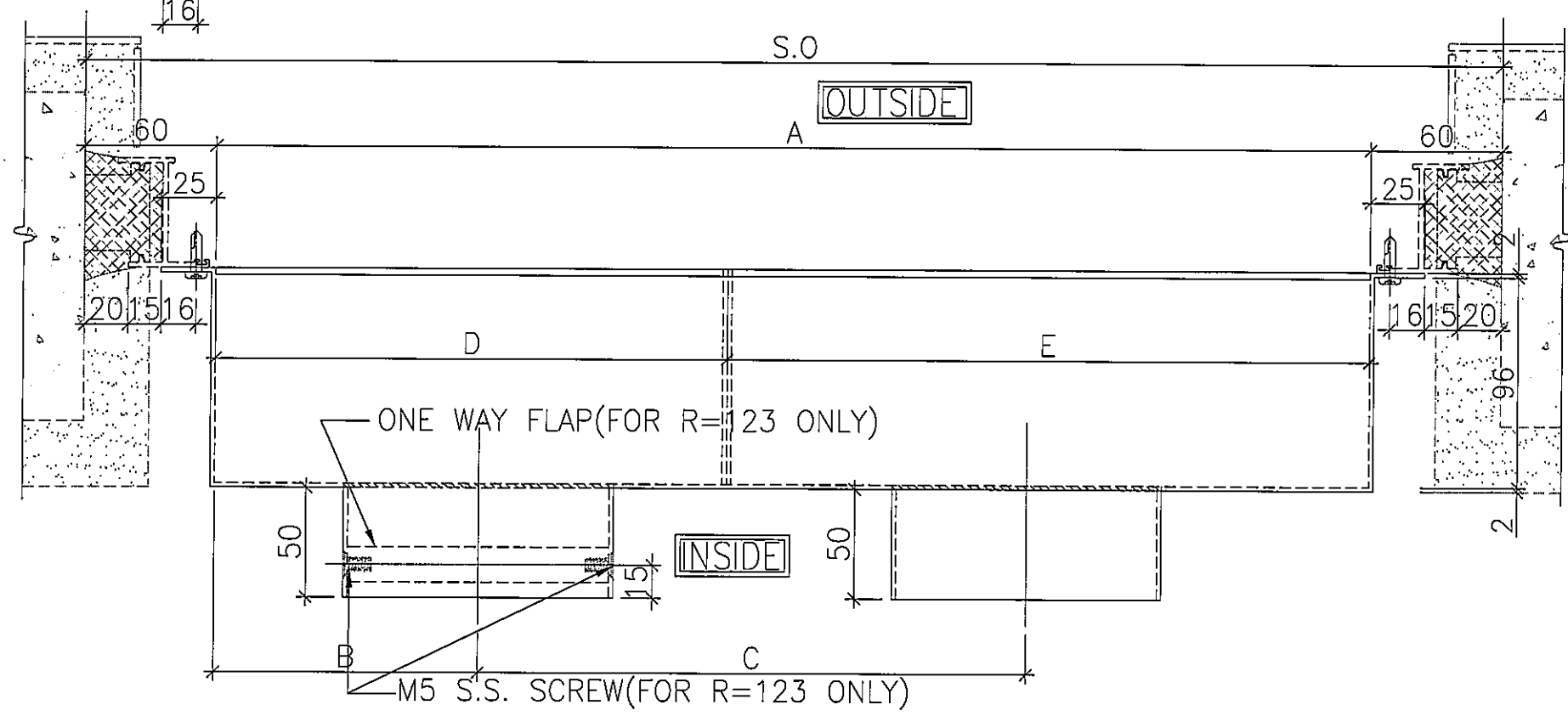
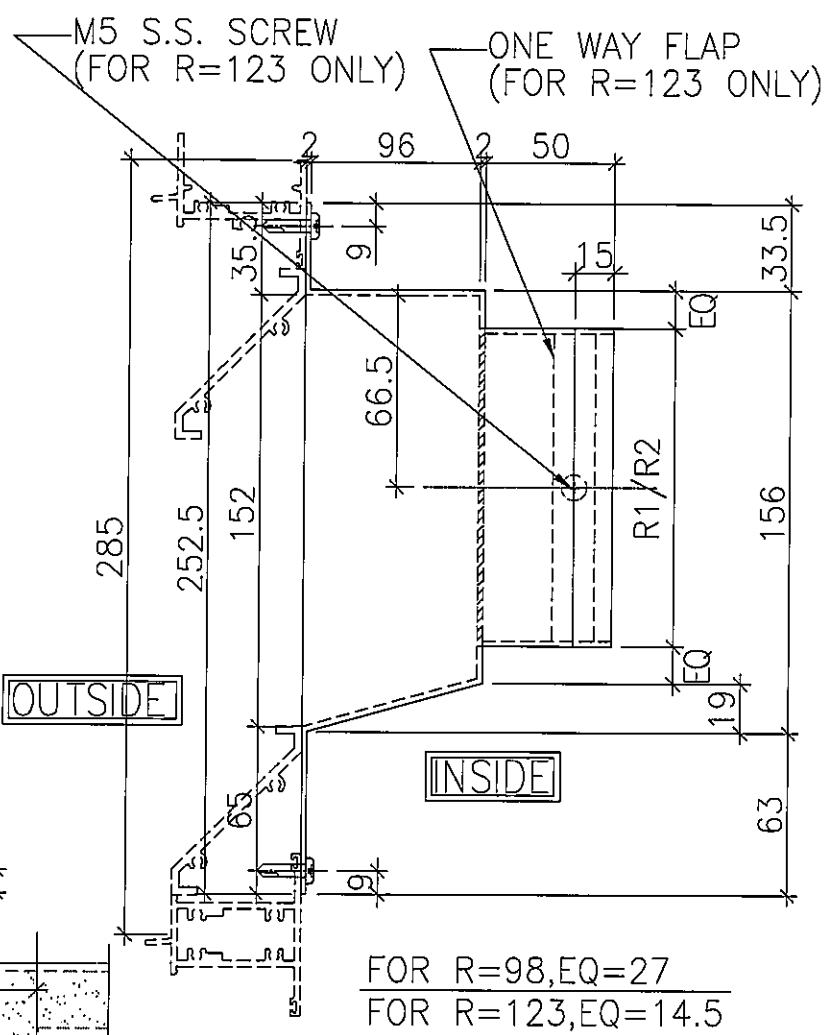
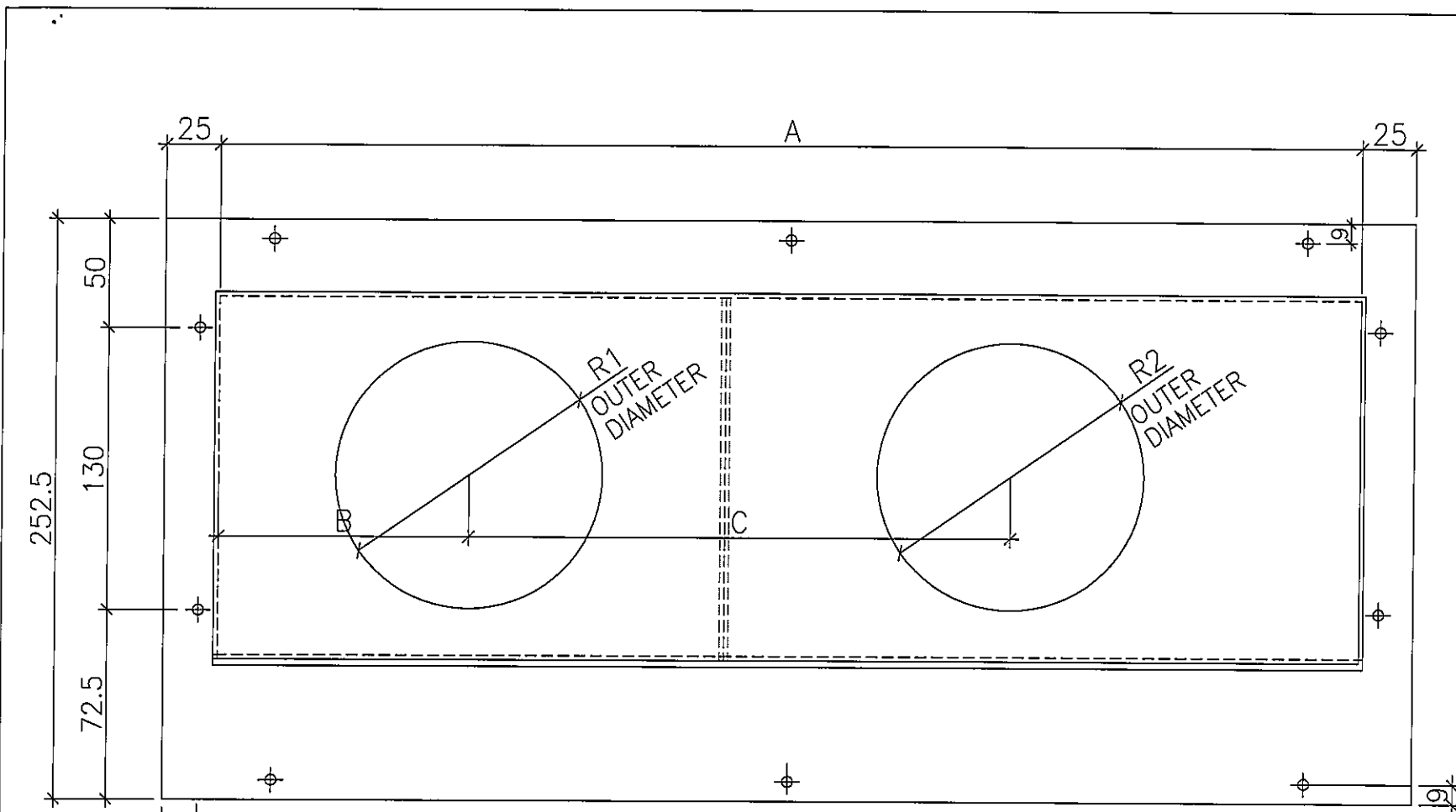
DRAWING SUBMISSION REGISTER

PROJECT: URA KWUN TONG TOWN CENTRE REDEVELOPMENT (AREA 2 & 3) AT NKIL 6514, KWUN TONG, KOWLOON	DATE OF ISSUE							SUBMISSION STATE (FOR B.D / A.S.D)			SUBMISSION STATE (FOR CLIENT / CONSULTANT)			SUBMISSION STATE (FOR ARCHITECT)			FABRICATION / CONSTRUCTION STATE						
	ISSUE	01	02	03	04	05	06	AP - APPROVED			AP - APPROVED			AP - APPROVED			ISSUE TO CHINA OFFICE	ISSUE TO SITE	ISSUE TO SUB-CONTRACTOR				
	DAY	22	13	04	02	10	5	AC - APPROVED SUB. TO CONDITION			AC - APPROVED SUB. TO CONDITION			AC - APPROVED SUB. TO CONDITION									
	MONTH	01	02	03	04	06	3	NA - NOT APPROVED			NA - NOT APPROVED			NA - NOT APPROVED									
	YEAR	19	19	19	19	19	20																
DRAWING TITLE	DWG. NO.	REVISIONS							COMMENT DATE	REV.	STATE	COMMENT DATE	REV.	STATE	COMMENT DATE	REV.	STATE	REV.	DATE	REV.	DATE	REV.	DATE
COVERPAGE	J-837-PB-0000	-	A	B	C	D	D																
DRAWING SUBMISSION REGISTER	J-837-PB-0001	-	A	B	C	D	E																
DRAWING SUBMISSION REGISTER	J-837-PB-0002																						
ALUMINIUM AIR PLENUM BOX SCHEDULE	J-837-PB-2101	-	A	B	B	C	C																
ALUMINIUM AIR PLENUM BOX SCHEDULE	J-837-PB-2101A																						
ALUMINIUM AIR PLENUM BOX SCHEDULE	J-837-PB-2102	-	A	A	A	A	A																
ALUMINIUM AIR PLENUM BOX SCHEDULE	J-837-PB-2103	-	A	A	B	B	B																
ALUMINIUM AIR PLENUM BOX SCHEDULE	J-837-PB-2103A																						
ALUMINIUM AIR PLENUM BOX SCHEDULE	J-837-PB-2104	-	A	B	C	D	D																
ALUMINIUM AIR PLENUM BOX SCHEDULE	J-837-PB-2104A																						
ALUMINIUM AIR PLENUM BOX SCHEDULE	J-837-PB-2105	-	A	A	A	B	B																
ALUMINIUM AIR PLENUM BOX SCHEDULE	J-837-PB-2105A																						
ALUMINIUM AIR PLENUM BOX SCHEDULE	J-837-PB-2106	-	A	A	B	B	B																
ALUMINIUM AIR PLENUM BOX SCHEDULE	J-837-PB-2107	-	A	A	A	B	B																
ALUMINIUM AIR PLENUM BOX SCHEDULE	J-837-PB-2108	-	A	A	A	B	B																
ALUMINIUM AIR PLENUM BOX SCHEDULE	J-837-PB-2109	-	A	A	B	B	B																
ALUMINIUM AIR PLENUM BOX SCHEDULE	J-837-PB-2110	-	A	A	B	B	B																
ALUMINIUM AIR PLENUM BOX SCHEDULE	J-837-PB-2111	-	A	A	B	B	B																
ALUMINIUM AIR PLENUM BOX SCHEDULE	J-837-PB-2112	-	A	A	B	B	B																
ALUMINIUM AIR PLENUM BOX SCHEDULE	J-837-PB-2113	-	A	A	B	B	B																
ALUMINIUM AIR PLENUM BOX SCHEDULE	J-837-PB-2114	-	A	A	A	B	B																
ALUMINIUM AIR PLENUM BOX SCHEDULE	J-837-PB-2115	-	A	A	A	A	A																
ALUMINIUM AIR PLENUM BOX SCHEDULE	J-837-PB-2116	-	A	A	B	B	B																
ALUMINIUM AIR PLENUM BOX SCHEDULE	J-837-PB-2117	-	A	DELETE																			
ALUMINIUM AIR PLENUM BOX SCHEDULE	J-837-PB-2118	-	A	B	B	B																	
ALUMINIUM AIR PLENUM BOX SCHEDULE	J-837-PB-2119	-	-	A	A	A																	
ALUMINIUM AIR PLENUM BOX SCHEDULE	J-837-PB-2120	-	-	A	A	A																	
ALUMINIUM AIR PLENUM BOX SCHEDULE	J-837-PB-2121	-	-	A	B	B																	
ALUMINIUM AIR PLENUM BOX SCHEDULE	J-837-PB-2122	-	A	B	B	B																	
ALUMINIUM AIR PLENUM BOX SCHEDULE	J-837-PB-2123																						
ALUMINIUM AIR PLENUM BOX SCHEDULE	J-837-PB-2124																						
ALUMINIUM AIR PLENUM BOX SCHEDULE	J-837-PB-2125																						
ALUMINIUM AIR PLENUM BOX SCHEDULE	J-837-PB-2126																						
ALUMINIUM AIR PLENUM BOX SCHEDULE	J-837-PB-2127																						
ALUMINIUM AIR PLENUM BOX SCHEDULE	J-837-PB-2128																						
ALUMINIUM AIR PLENUM BOX SCHEDULE	J-837-PB-2129																						
ALUMINIUM AIR PLENUM BOX SCHEDULE	J-837-PB-2130																						
ALUMINIUM AIR PLENUM BOX SCHEDULE	J-837-PB-2131																						
FULL PLAN LAYOUT(FOR T1 6/F FLOOR PLAN)	J-837-PB-3101	-	-	-	-	-	-																
FULL PLAN LAYOUT(FOR T1 TYPICAL FLOOR PLAN)	J-837-PB-3102	-	-	-	-	-	-																
FULL PLAN LAYOUT(FOR T1 50/F FLOOR PLAN)	J-837-PB-3103	-	-	-	-	-	A																
FULL PLAN LAYOUT(FOR T2 6/F FLOOR PLAN)	J-837-PB-3201	-	-	-	-	-	-																
FULL PLAN LAYOUT(FOR T2 TYPICAL FLOOR PLAN)	J-837-PB-3202	-	-	-	-	-	-																
FULL PLAN LAYOUT(FOR T2 55/F FLOOR PLAN)	J-837-PB-3203	-	A	A	A	A	B																
FULL PLAN LAYOUT(FOR T3 6/F FLOOR PLAN)	J-837-PB-3301	-	-	-	-	-	-																

IN-HOUSE DESIGN CHECKER


英特鋁質有限公司
 MIDI ALUMINIUM FABRICATOR LTD.
 Units 6-8, Sunray Industrial Centre, 1/F
 810 Cho Kwo Ling Road, Kowloon
 Tel: 23489211-4 Fax: (852) 27727666

DWG NO. : J-837-PB-0001 REV. : E



BOX NO.	S. O	A	B	C	D	E	R1	R2	QTY.	LOCATION	WINDOW NO.
T5P/51A-K	950	830	235	510	470	360	123	98	1	55/F	T5W/51A-KIT

B.D. REF :

CLIENT : 信和置業有限公司 Sino Land Company Limited

ARCHITECT : WONG TUNG & PARTNERS LIMITED ARCHITECTS & PLANNERS

MAIN CONTRACTOR : CR Construction Company Limited

STRUCTURAL ENGINEER : AECOM

FAÇADE CONSULTANT:

NOTE :

- ALL DIMENSIONS ARE IN mm.
- ALL ELEVATIONS ARE VIEWED FROM OUTSIDE.
- ALL DIMENSIONS TO BE VERIFIED ON SITE BEFORE FABRICATION.

LEGEND :

- (X1) --- DETAIL MARK NO.
- (X001) --- REFER SHEET NO.
- 1. F.F.L. --- FINISHED FLOOR LEVEL
- 2. S.F.L. --- STRUCTURAL FLOOR LEVEL
- 3. (⊗) --- REVERSED DETAIL

NO.	DATE	REVISION	BY
B	2018/4/2	GENERAL REVISION	Zeng
A	2019/2/13	GENERAL REVISION	Zeng

JOB NO. : J-837

PROJECT : URA KWUN TONG TOWN CENTRE REDEVELOPMENT (AREA 2 & 3) AT NKIL 6514, KWUN TONG, KOWLOON

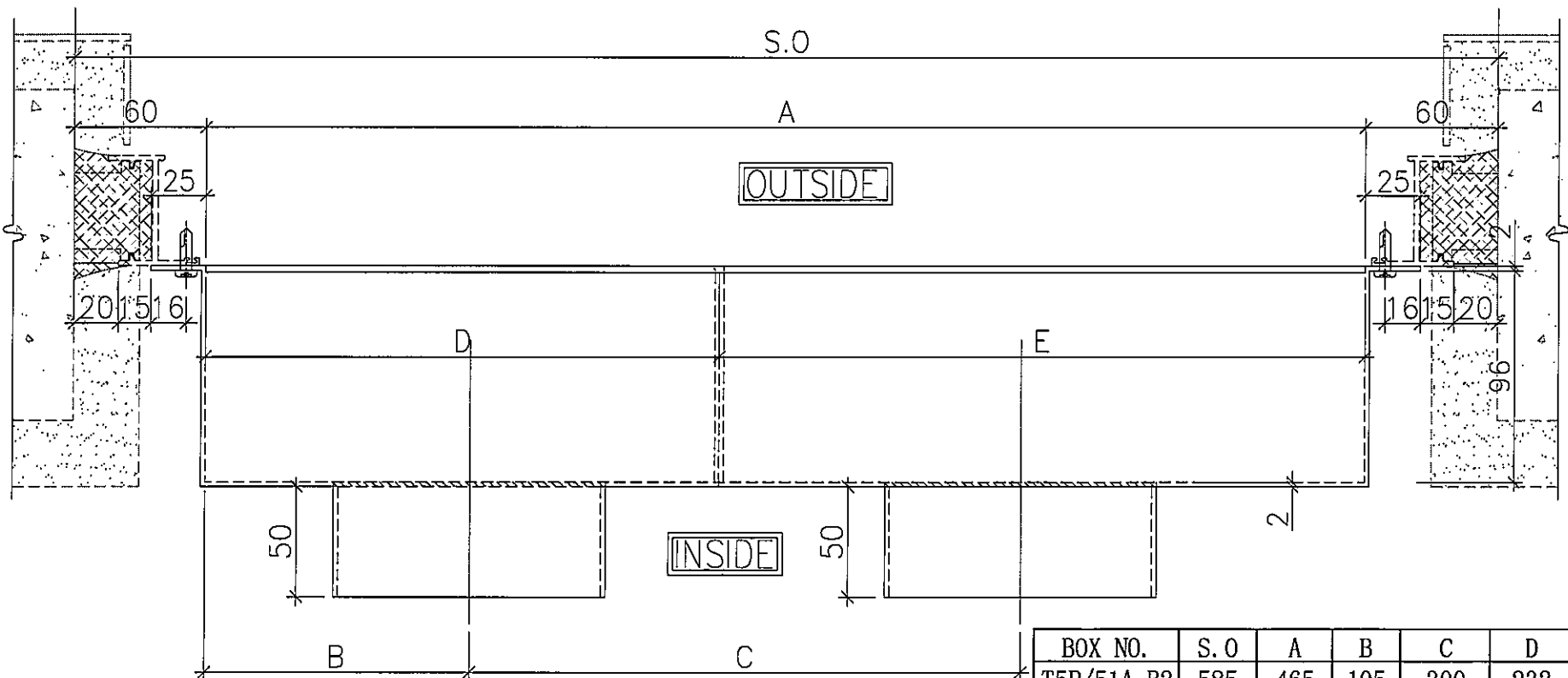
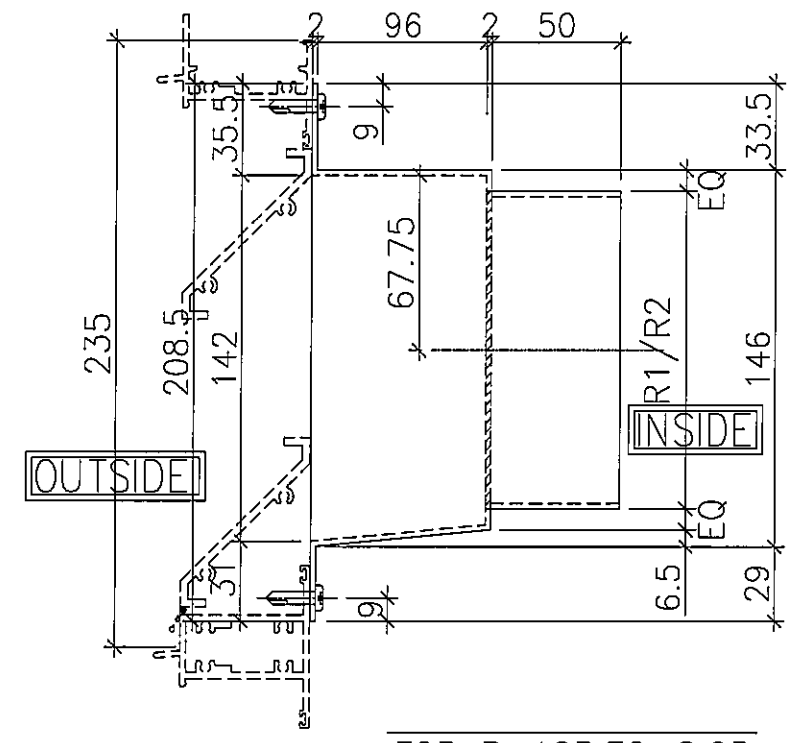
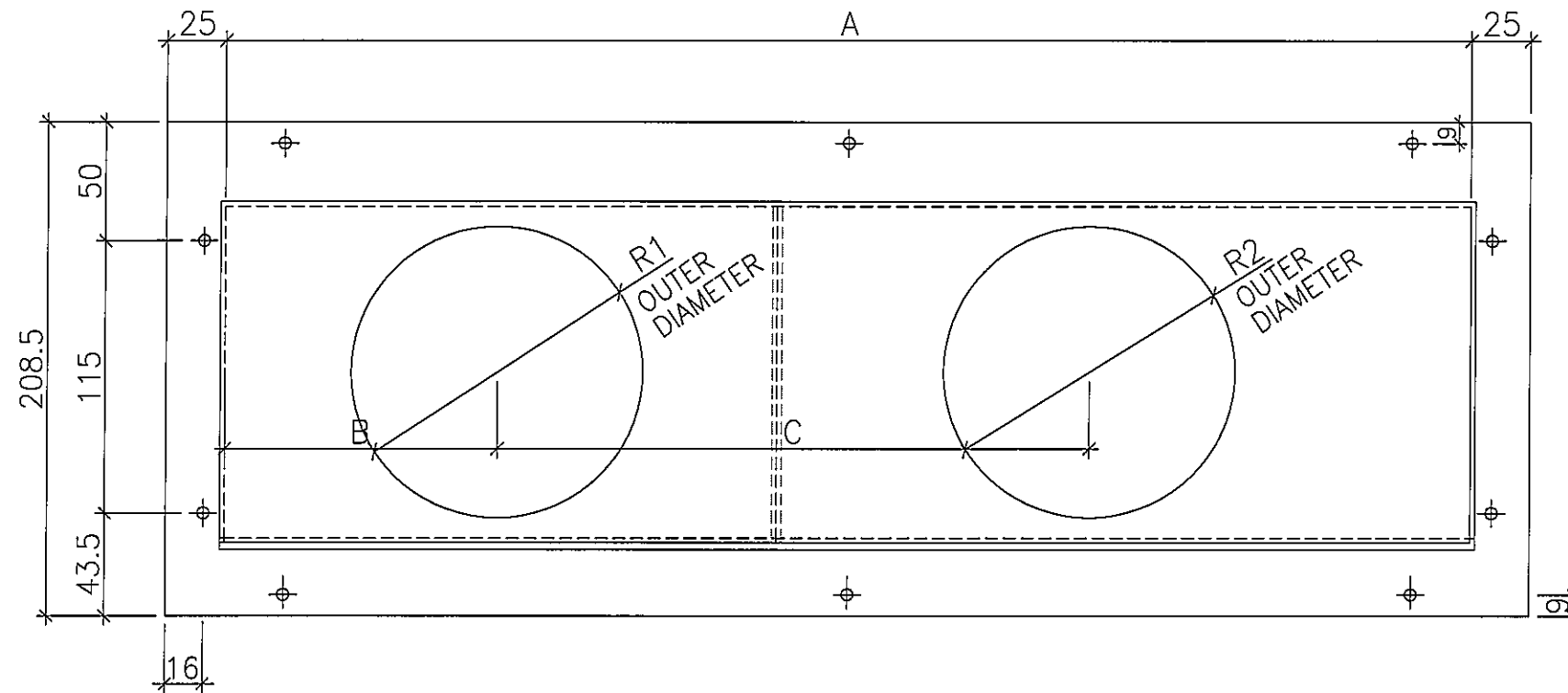
TITLE : TOWER AIR PLENUM BOX SCHEDULE (INSITU FOR KITCHEN)

DATE : 04-JUL-18 SCALE : 1:##

DRAWN BY : Zeng CHECKED BY : DW

MIDI ALUMINIUM FABRICATOR LTD.
Units 6-8, Sunray Industrial Centre, 1/F
810 Cha Kwo Ling Road, Kowloon
Tel: 23489211-4 Fax: (852) 2727666

DWG NO. : JB37- PB-2128 REV. : -



BOX NO.	S. O	A	B	C	D	E	R1	R2	QTY.	LOCATION	WINDOW NO.
T5P/51A-B2	585	465	105	300	232	232	123	123	1	51/F	T5W/51A-MBATH-2

B.D. REF :

CLIENT :
 信和置業有限公司
 Sino Land Company Limited

ARCHITECT :
 WONG TUNG & PARTNERS LIMITED
 ARCHITECTS & PLANNERS

MAIN CONTRACTOR :
 CR Construction Company Limited

STRUCTURAL ENGINEER :
 AECOM

FACADE CONSULTANT:

NOTE :
 1. ALL DIMENSIONS ARE IN mm.
 2. ALL ELEVATIONS ARE VIEWED FROM OUTSIDE.
 3. ALL DIMENSIONS TO BE VERIFIED ON SITE BEFORE FABRICATION.

LEGEND :
 X1 -- DETAIL MARK NO.
 X001 -- REFER SHEET NO.
 1. F.F.L. -- FINISHED FLOOR LEVEL
 2. S.F.L. -- STRUCTURAL FLOOR LEVEL
 3. (R) -- REVERSED DETAIL

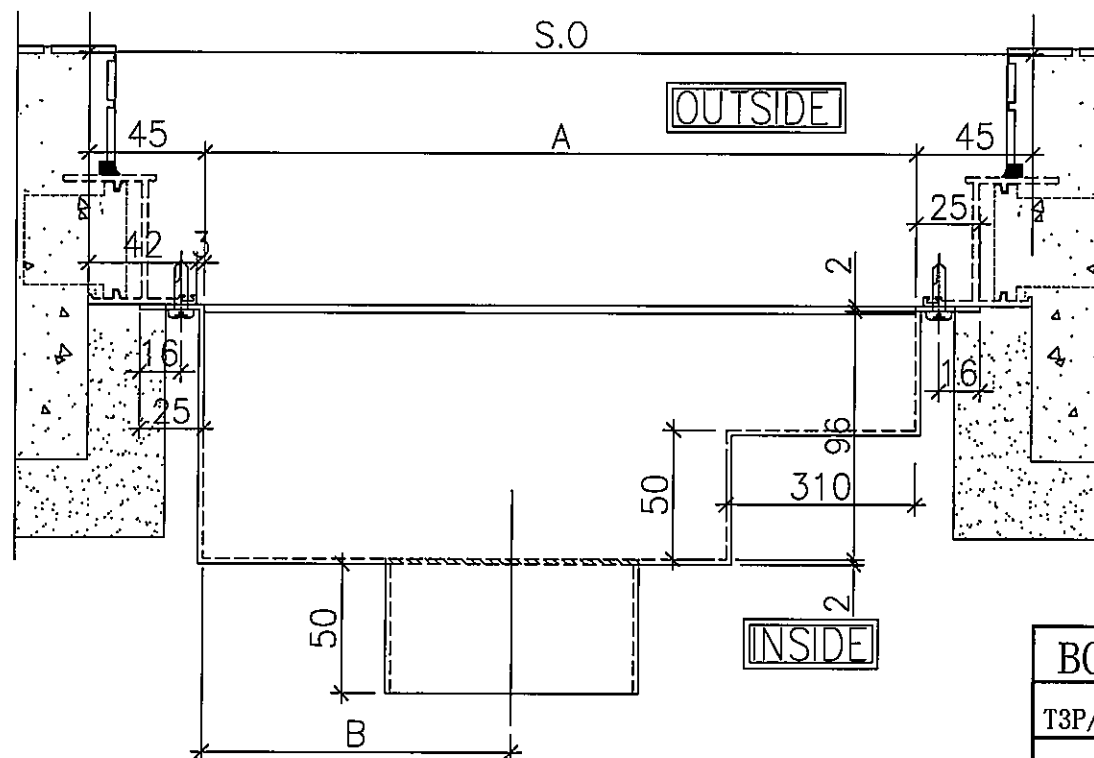
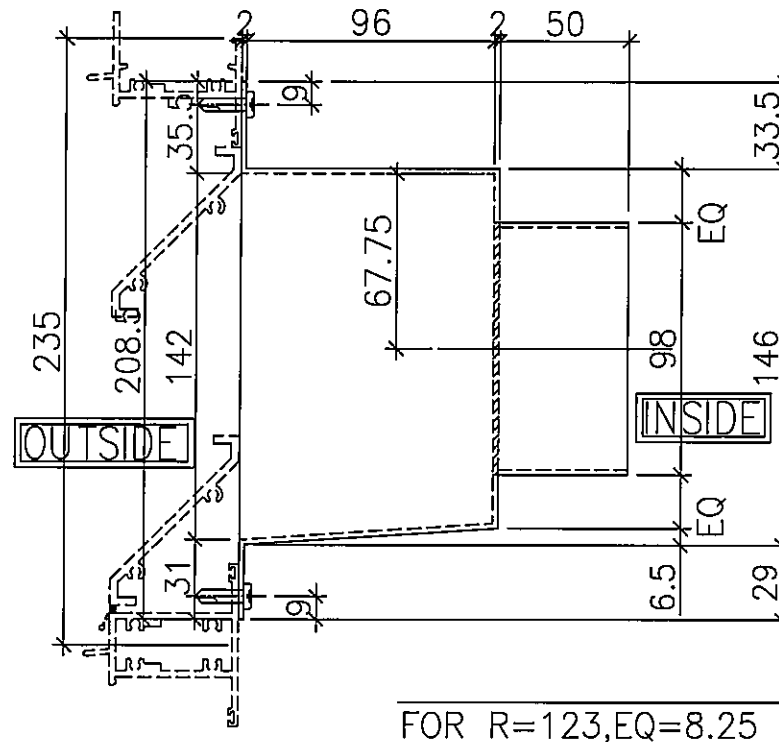
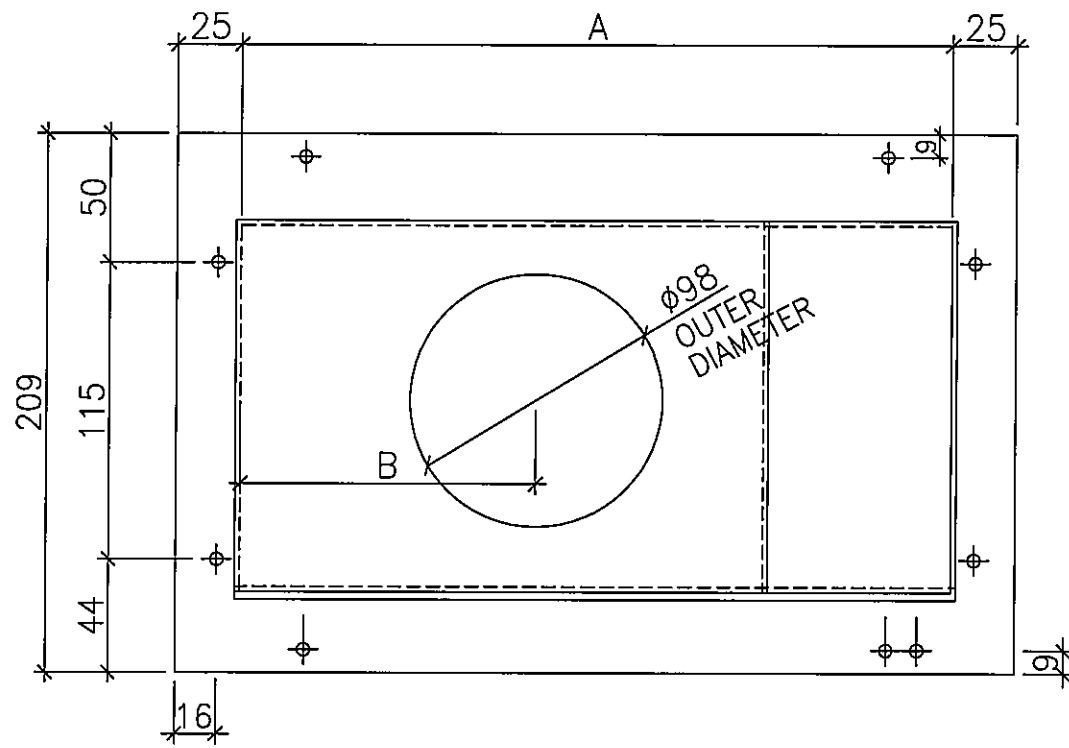
NO.	DATE	REVISION	BY
B	2016/5/10	GENERAL REVISION	Zeng
A	2016/2/13	GENERAL REVISION	Zeng

JOB NO. : J-837
 PROJECT :
 URA KWUN TONG TOWN CENTRE
 REDEVELOPMENT (AREA 2 & 3) AT
 NKIL 6514, KWUN TONG, KOWLOON

TITLE :
 TOWER AIR PLENUM BOX SCHEDULE
 (INSITU FOR BATHROOM)

DATE : 04-JUL-18 SCALE : 1:##
 DRAWN BY : Zeng CHECKED BY : DW

美特鋁質有限公司
 MIDI ALUMINIUM FABRICATOR LTD.
 Units 6-8, Sunray Industrial Centre, 1/F
 610 Cha Kwo Ling Road, Kowloon
 Tel:23489211-4 Fax:(852)27727666
 DWG NO. : JB37- PB-2129 REV. : -



BOX NO.	S. 0	A	B	QTY.	LOCATION	WINDOW NO.
T3P/52D-BATH2	600	510	100	1	52/F	T3W/52D-BATH2

B.D. REF :

CLIENT :
 信和置業有限公司
 Sino Land Company Limited

ARCHITECT :
 WONG TUNG & PARTNERS LIMITED
 ARCHITECTS & PLANNERS

MAIN CONTRACTOR :
 CR Construction Company Limited

STRUCTURAL ENGINEER :
 AECOM

FACADE CONSULTANT:

NOTE :
 1. ALL DIMENSIONS ARE IN mm.
 2. ALL ELEVATIONS ARE VIEWED FROM OUTSIDE.
 3. ALL DIMENSIONS TO BE VERIFIED ON SITE BEFORE FABRICATION.

LEGEND :
 -- DETAIL MARK NO.
 -- REFER SHEET NO.
 1. F.F.L. --- FINISHED FLOOR LEVEL
 2. S.F.L. --- STRUCTURAL FLOOR LEVEL
 3. --- REVERSED DETAIL

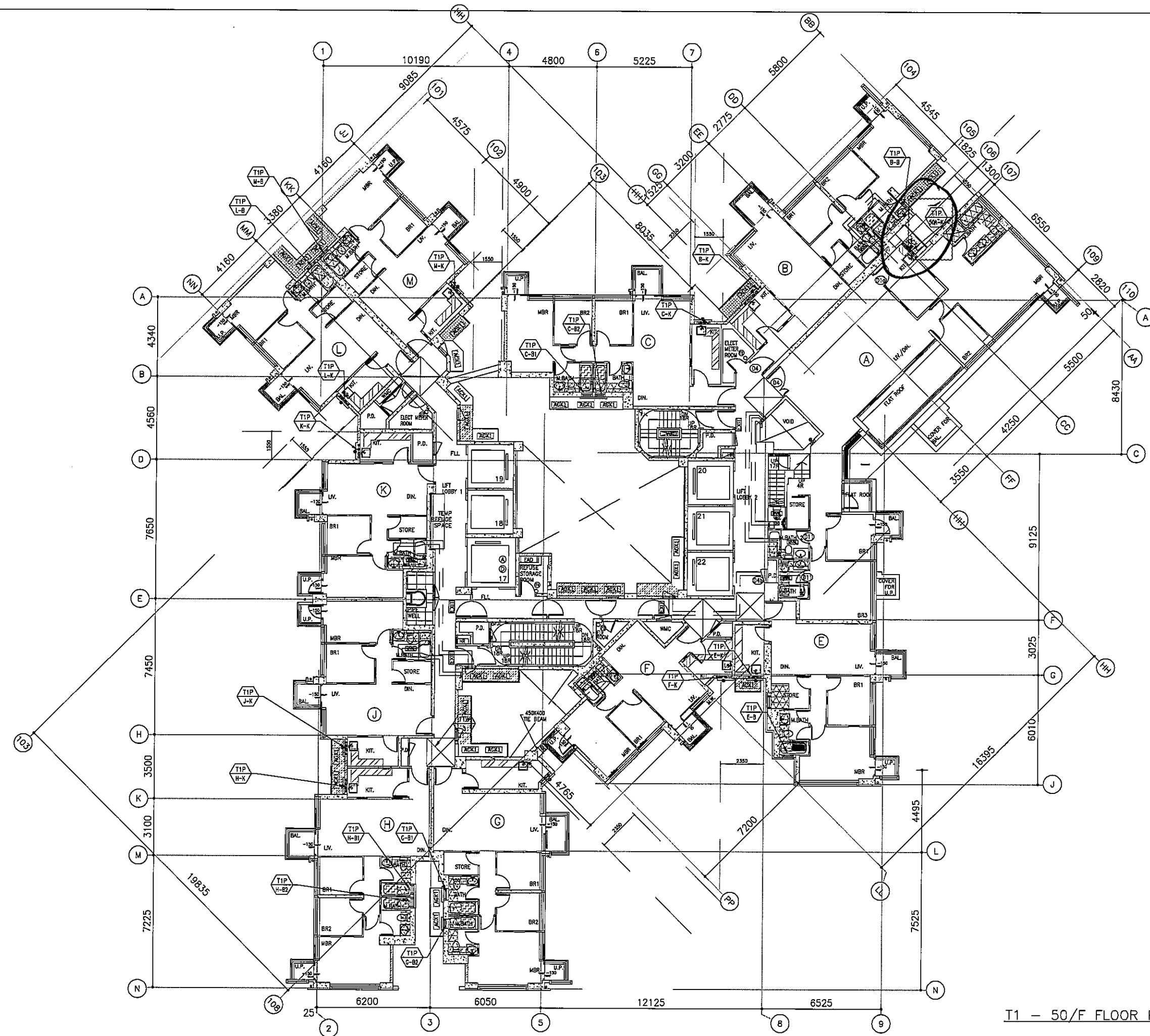
NO.	DATE	REVISION	BY
C	2019/8/10	GENERAL REVISION	Zeng
B	2019/5/4	GENERAL REVISION	Zeng
A	2019/2/13	GENERAL REVISION	Zeng

JOB NO. : J-837
 PROJECT :
 URA KWUN TONG TOWN CENTRE
 REDEVELOPMENT (AREA 2 & 3) AT
 NKIL 6514, KWUN TONG, KOWLOON

TITLE :
 TOWER AIR PLENUM BOX SCHEDULE
 (PRECAST FOR BATHROOM)


DATE : 04-JUL-18 SCALE : 1:##
 DRAWN BY : Zeng CHECKED BY : DW


美特鋁質有限公司
 MIDI ALUMINUM FABRICATOR LTD.
 Units 6-8, Sunray Industrial Centre, 1/F
 610 Cha Kwo Ling Road, Kowloon
 Tel:23489211-4 Fax:(852)27727666
 DWG NO. : J837- PB-2131 REV. : -





T1 - 50/F FLOOR PLAN

B.D. REF :

CLIENT :
 信和置業有限公司
 Sino Land Company Limited

ARCHITECT :
 WONG TUNG & PARTNERS LIMITED
 ARCHITECTS & PLANNERS


MAIN CONTRACTOR :
 CR Construction Company Limited

STRUCTURAL ENGINEER :


FACADE CONSULTANT:

NOTE :
 1. ALL DIMENSIONS ARE IN mm.
 2. ALL ELEVATIONS ARE VIEWED FROM OUTSIDE.
 3. ALL DIMENSIONS TO BE VERIFIED ON SITE BEFORE FABRICATION.

LEGEND :
 (X1) — DETAIL MARK NO.
 (X001) — REFER SHEET NO.

1. F.F.L. — FINISHED FLOOR LEVEL
 2. S.F.L. — STRUCTURAL FLOOR LEVEL
 3. (B) — REVERSED DETAIL

NO.	DATE	GENERAL REVISION	REVISOR	BY
A	22/03/4	GENERAL REVISION	Zeng	


JOB NO. : J-837

PROJECT :
 URA KWUN TONG TOWN CENTRE
 REDEVELOPMENT (AREA 2 & 3) AT
 NKIL 6514, KWUN TONG, KOWLOON

TITLE :
 FULL PLAN LAYOUT
 (FOR T1 50/F FLOOR PLAN)

DATE : 04-JUL-18 SCALE : 1:200

DRAWN BY : Zeng CHECKED BY : DW

 美特鋁質有限公司
 MIDI ALUMINUM FABRICATOR LTD.
 Units 6-8, Sunray Industrial Centre, 1/F
 610 Cha Kwo Ling Road, Kowloon
 Tel: 23489211-4 Fax: (852) 27727655

DWG NO. : J837-PB-3103 REV. : A



Site Memo

To : See Distribution Below Ref. No. : SHW/2.01/M9161 Rev. _____

Attn. : See Distribution Below From : Charlie Chan

Project : Date : 3 March 2020

Superstructure Main Contract (Tower) for the Proposed Composite Development at N.K.I.L. 6514 Kwun Tong Town Centre (Development Areas 2 & 3)

Discussion Record of Air Plenum Box for Duplex Unit 3/3/2020

Refer to the site discussion on 3/3/2020 with the presence of CRC, Midi, Shun Hing, Alpha Idea & Kitchen Infinity regarding the captioned subject, we would like to record that the attached Air Plenum Box drawing for Tower 1 to 5 Duplex Unit, have been checked and agreed on site by Shun Hing, Alpha Idea & Kitchen Infinity. Midi would take this drawing to proceed their shop drawing preparation work accordingly.

Thank you for your kindly attention.

Yours faithfully,

Charlie Chan
Senior Project Manager

CC/ LP/PYT/PMK/EL

See Distribution List

<input type="checkbox"/> Frankie Cheung	<input type="checkbox"/> T2 Foreman	<input type="checkbox"/> 中威(預制件)	<input type="checkbox"/> 啟益(防水石矢)	<input type="checkbox"/> 奧利(平水)	<input type="checkbox"/> 東方創業
<input type="checkbox"/> Charlie Chan	<input type="checkbox"/> T3 Foreman	<input checked="" type="checkbox"/> 順興(冷氣)	<input type="checkbox"/> 明泰(鐵器)	<input type="checkbox"/> Signhouse(招牌)	<input type="checkbox"/> 力高
<input type="checkbox"/> Leo Pong	<input type="checkbox"/> T5 Foreman	<input type="checkbox"/> 衛安(消防)	<input type="checkbox"/> 和新(天秤)	<input type="checkbox"/> 裕記(膠膠)	<input type="checkbox"/> 鈞泰
<input type="checkbox"/> Geogre Yen	<input type="checkbox"/>	<input type="checkbox"/> 冠和(電器)	<input type="checkbox"/> 廣毅(木板)	<input type="checkbox"/> 梅森(Floating Slab)	<input type="checkbox"/> 迅達
<input type="checkbox"/> Chung Yan Ho	<input type="checkbox"/>	<input type="checkbox"/> 增輝(電器)	<input checked="" type="checkbox"/> 美特(幕牆)	<input type="checkbox"/> 華林(E.L.System)	<input type="checkbox"/> 達源
<input type="checkbox"/> Yu Heung Wah	<input type="checkbox"/>	<input type="checkbox"/> 衛安(水喉)	<input type="checkbox"/> 洪興(雜項/泥水)	<input type="checkbox"/> Easy Smart(防火E)	<input type="checkbox"/> 漆藝
<input type="checkbox"/> Tang Pak Kin	<input type="checkbox"/>	<input type="checkbox"/> 王光記(水喉)	<input type="checkbox"/> 海洋(雜項)	<input type="checkbox"/> 佰興(木門)	<input type="checkbox"/>
<input type="checkbox"/> Sin Ka Ku	<input type="checkbox"/>	<input type="checkbox"/> 日立(電梯)	<input type="checkbox"/> 雅快(泳池)	<input type="checkbox"/> 鴻達(木門底框)	<input type="checkbox"/>
<input checked="" type="checkbox"/> PC Team	<input type="checkbox"/>	<input checked="" type="checkbox"/> 星濤(煤氣)	<input type="checkbox"/> 恆記(泥水)	<input type="checkbox"/> 承達(天花)	<input type="checkbox"/>
<input type="checkbox"/> Technical Team	<input type="checkbox"/>	<input type="checkbox"/> 豐達(IBM)	<input type="checkbox"/> 際鋼(鐵掌)	<input type="checkbox"/> 歐洲吊船	<input type="checkbox"/>
<input type="checkbox"/> BS Team	<input type="checkbox"/>	<input type="checkbox"/> 豐富(釘板)	<input type="checkbox"/> BSH(家電)	<input type="checkbox"/> 龍輝記	<input type="checkbox"/>
<input type="checkbox"/> BIM Team	<input type="checkbox"/>	<input type="checkbox"/> 寶興/寶業(扎鐵)	<input checked="" type="checkbox"/> Kitchen Infinity(家電)	<input type="checkbox"/> 財記	<input type="checkbox"/>
<input type="checkbox"/> QS Team	<input type="checkbox"/>	<input type="checkbox"/> 先達(防水)	<input type="checkbox"/> 廣達(油漆)	<input type="checkbox"/> 合興	<input type="checkbox"/>
<input type="checkbox"/> Compliance Team	<input type="checkbox"/>	<input type="checkbox"/> 順發(鐵門)	<input type="checkbox"/> APEX (玻璃欄河)	<input type="checkbox"/> 江記	<input type="checkbox"/>
<input type="checkbox"/> T1 Foreman	<input type="checkbox"/>	<input type="checkbox"/> 永利(欄架)	<input type="checkbox"/> 榮業(Bulkhead)	<input type="checkbox"/> 玉成	<input type="checkbox"/>

- Hard Copy (Cover Only) & Soft Copy ✓ - Hard Copy (Full Set) & Soft Copy * - Soft Copy Only