



工程指示 / 要求簡箋(E.I.)

工程指示編號：EI/ 3038 121 修改版次：

工程編號：J-837 工程名稱：官塘 (裕民坊)

工程項目：3/F Glass Wall 玻璃門配件 訂購 (SI 2310)

收件人：林哥

發件人：大明

日期：03/02/2021

要求提供 / 確認 事項：

- () 初步鋁料 B.M. () 加工拆圖，然後生產 () 尺寸表
- () 正式鋁料 B.M. () 技術上資料 / 指示 () 報
- () 配件 B.M. () 樣辦或貨品說明書 () 分判合約
- () 其他：_____

內容：

煩請 訂購 'Dorma' 7461 x 20 套

PT-10 x 20 套

PT-20 x 20 套

US10 Corner Lock x 20 套

BTS80 EN 4 x 20 套

請在 19/02/2021 前完成上列要求。

附有關圖紙 / 文件：附 B.M 表 頁, 圖紙 1 頁

以上項目為:

- 原合約工程包 原合約工程加 / 減賬 新工程報價

原因：-

分發東莞各部門：

- () 生產技術總監 連附件 () 技術部 連附件 () 生產部 連附件 () 機械設計部 連附件
- () 採購部 連附件 () 生產統籌部 連附件
- () 質檢部 連附件 () 會計部 連附件 () 報關組 連附件 () 其他 _____ 連附件

分發香港各部門：

- () 行政部 連附件 () 會計部 連附件 () 統籌部 連附件 工程部地盤科文 連附件
- () 採購部 連附件 () QS 部 連附件 () 維修部 連附件 () 其他 _____ 連附件

傳遞編號：

發件人簽署：

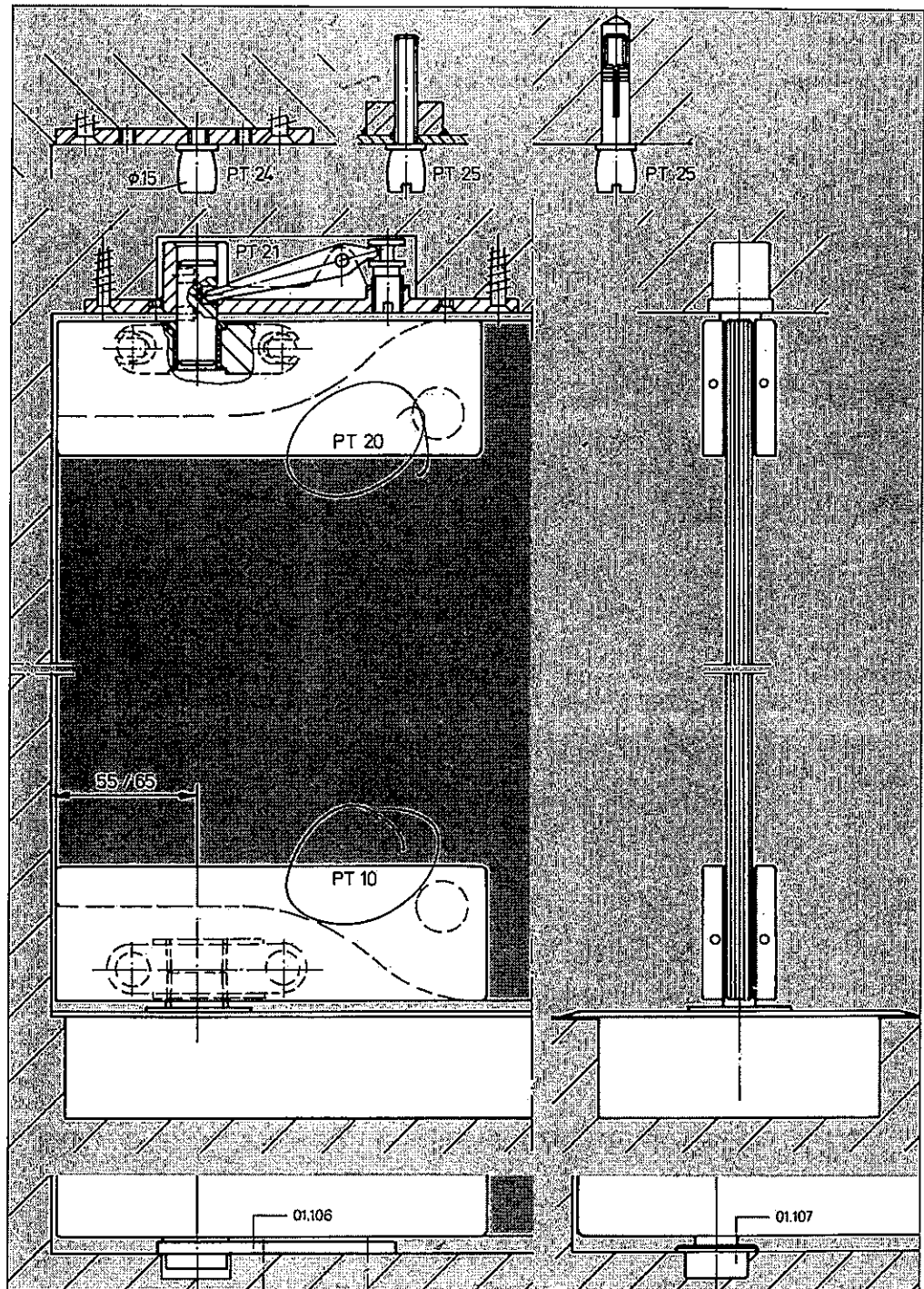
項目經理簽署：

Einbau der Lager, Zapfen und Buchsen

Einbau der oberen Lager und Zapfen für PT 20 und PT 22;
Einbau von Bodentürschließern und der Bodenlager und Bodenbuchsen für PT 10

Fixing of pivots and top centres

Fixing of top pivots and top centres for PT 20 and PT 22;
Fixing of floor springs, pivot bearings and floor pivots for PT 10



Angaben über die Beschaffenheit oder Verwendbarkeit von Erzeugnissen bzw. Materialien dienen der Beschreibung. Zusagen in bezug auf das Vorhandensein bestimmter Eigenschaften oder einen bestimmten Verwendungszweck bedürfen stets besonderer schriftlicher Vereinbarungen. Abbildungen zeigen z.T. Sonderausführungen, abweichend vom Standard-Lieferumfang.

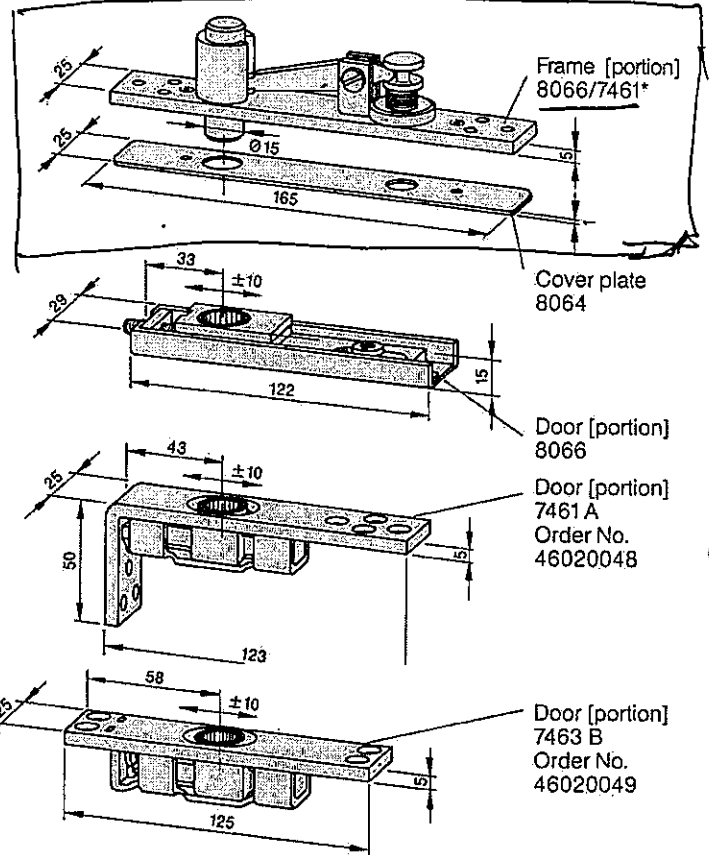
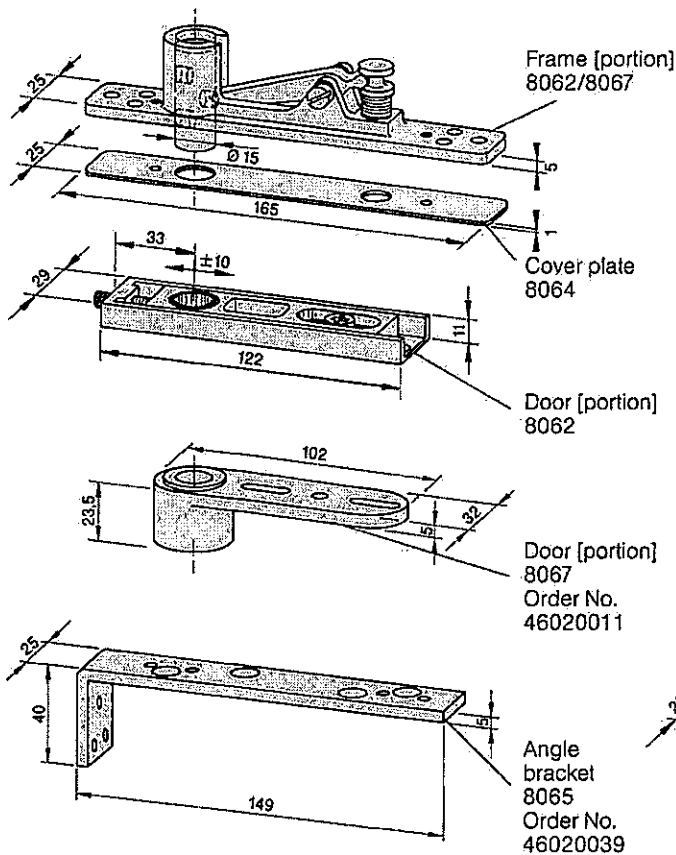
Technische Änderungen vorbehalten.

Statements made with regard to the nature or use of the products are for the purposes of description. Assent with regard to the existence of particular properties or particular uses always requires special written agreement. Pictures may show special designs which are different to the standard scope of delivery.

Subject to change without notice.

DORMA-Glas GmbH
Postfach 32 68
D-32076 Bad Salzuflen
Max-Planck-Straße 37-43
D-32107 Bad Salzuflen
Tel. + 49 (0)52 22/9 24-0
Fax + 49 (0)52 22/9 24-146
www.dorma-glas.de

Double action accessories for steel, aluminium and timber doors



Adjustable top centres (complete.)

Art. No. 8062, die cast aluminium Order No. 46300003
 Art. No. 8066, steel Order No. 46300006
 comprising an frame portion with adjustable pin for deep profiles up to max. 20 mm, and door portion with needle bearing; the flatform design means there is no routing of the base profile. For deeper profiles, the top centre assembly can be supplied with pins extended by 10 mm or 20 mm.

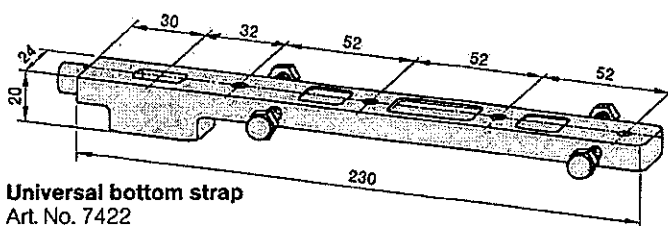
Adjustable top centres (complete.)

comprising a frame portion with adjustable pin for deep profiles up to max. 20 mm, and door portion (A or B) for special door designs. For deeper profiles, the top centre assembly can be supplied with pins extended by 10 mm or 20 mm.

Cover plate

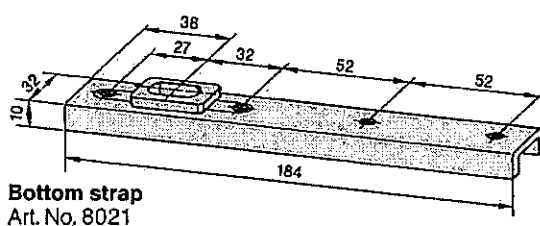
Art. No. 8064 Order No. 46020044
 Order No. 46300530
 in stainless steel, bright aluminium and EV 1 (Euras C-0)

* For Door portions 7461 A and 7461 B, use frame portion 7461 with 13 mm dia. pin, Order No. 46020050.



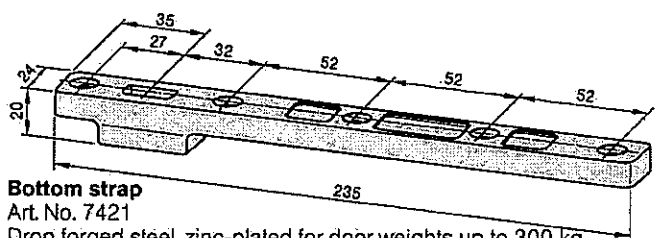
Universal bottom strap

Art. No. 7422
 Drop forged steel, zinc-plated; adjustable to various frame profiles.
 Order No. 46010002



Bottom strap

Art. No. 8021
 Zinc-plated steel; for door weights up to 100 kg.
 Order No. 45010410



Bottom strap

Art. No. 7421
 Drop forged steel, zinc-plated for door weights up to 300 kg.
 Order No. 46010001

Schlösser

komplett, für 10 mm Glasdicke

US 10 Eckschloß, PZ vorge-
richtet, 1tourig, Ausschluß 20 mm,
mit Sicherheitsrosetten 14 mm hoch
für 10 mm Glasdicke
(wie Abb.)

Art.-Nr. 03.206

für 15 und 19 mm Glasdicke
(bitte bei Bestellung angeben)
Art.-Nr. 03.285

für Rundzylinder (KABA) vorge-
richtet (o. Abb.), für 10 mm Glas-
dicke

Art.-Nr. 03.340

für Profil-Halbzylinder (o. Abb.),
für 10 mm Glasdicke

Links oben/ Rechts unten	Links unten/ Rechts oben
Art.-Nr. 03.288	03.287

Gewicht in kg:

LM 0,942

MS 1,061

ER 1,053

Schließblech, Edelstahl,
zweiteilig, ± 5 mm verstellbar

Art.-Nr. 05.190

Gewicht in kg: 0,048

alternativ:

Bodenbuchsen (o. Abb.)

Art.-Nr. 05.192, 05.193, 05.194

(siehe Technische
Information 1.5 SG)

GK 30 Oberlichtgegenkasten
zum Eckschloß US 10
(Ausschnitt PT 10)

Art.-Nr. 03.230

Gewicht in kg:

LM 0,418

MS 0,555

ER 0,536

GK 30 mit Anschlag (o. Abb.)

L:	R:
Art.-Nr. 03.234	03.235

**GK 20 Doppelter Oberlicht-
gegenkasten** zu Eckschlössern
US 10, bestehend aus zwei
GK 30 mit Gewindestift

Art.-Nr. 03.245

Gewicht in kg:

LM 0,920

MS 2,635

GK 20 mit Anschlag (o. Abb.)

Art.-Nr. 03.247

Gewicht in kg:

LM 1,490

MS 4,465

Locks

complete, for 10 mm glass
thickness

US 10 corner lock, prepared for
Europrofile cylinder, single throw,
bolt projection 20 mm, with
security rosettes 14 mm thick, for
10 mm glass thickness (as shown)

Art. No. 03.206

for 15 and 19 mm glass thickness
(please specify with order)
Art.-Nr. 03.285

prepared for round cylinder
(KABA) (not shown), for 10 mm
glass thickness

Art.-Nr. 03.340

for half profile cylinder (not shown),
for 10 mm glass thickness

Left hand top/ Right hand bottom	Left hand bottom/ Right hand top
Art. No. 03.288	03.287

Weight in kg:

aluminium 0.942

brass 1.061

stainless steel 1.053

Lock keeper plate, stainless
steel, two parts, adjustable ± 5 mm

Art. No. 05.190

Weight in kg: 0.048

alternative:

Floor sockets (not shown)

Art. No. 05.192, 05.193, 05.194

(see Technical
Information 1.5 SG)

**GK 30 single overpanel
strike box** to suit US 10 corner
lock (cut out as PT 10)

Art. No. 03.230

Weight in kg:

aluminium 0.418

brass 0.555

stainless steel 0.536

GK 30 with stop (not shown)

left hand:	right hand:
Art. No. 03.234	03.235

**GK 20 double overpanel
strike box** to suit US 10 corner
locks, consisting of two GK 30
with threaded connecting bolt

Art. No. 03.245

Weight in kg:

aluminium 0.920

brass 2.635

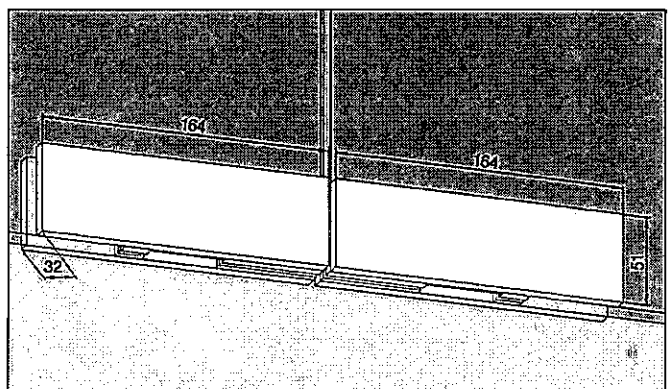
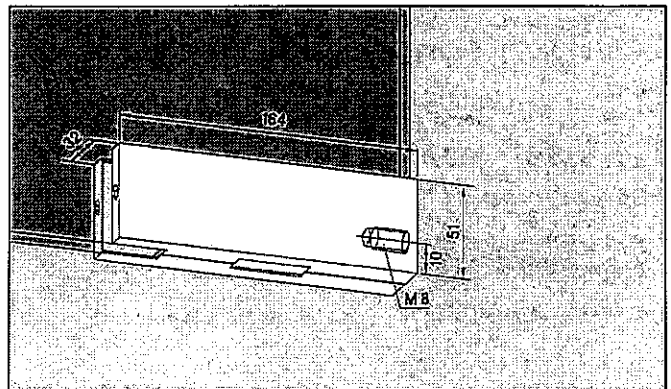
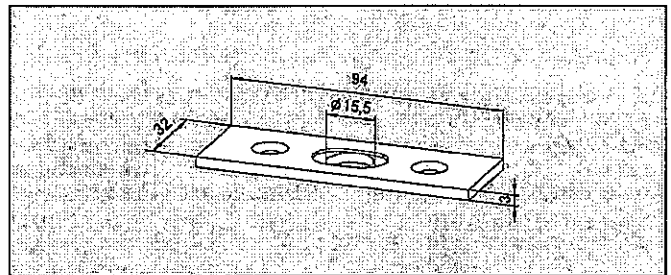
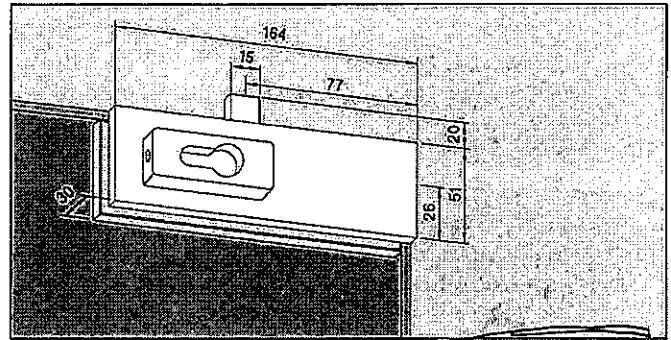
GK 20 with stop (not shown)

Art. No. 03.247

Weight in kg:

aluminium 1.490

brass 4.465



DORMA BTS 80 -

**universal application,
multi-functional
quality assured**

PSA approved (MOB H3 03)
HTM 59 (DOH)



Quality assured manufacture
to DIN ISO 9001
EN 29001
BS 5750
certified and verified by
BSI Quality Assurance
Reg. No. D 6423, FM 10756

Plus points ...

... for the trade

- Just one model for virtually every application.
- All the main functions as standard for reduced stock-holding.
- Available with weak or strong spring for special applications.

... for the installer

- Non-handed, for single and double action doors.
- Interchangeable spindle inserts available to suit site conditions.

... for the architect/ specifier

- Concealed installation.
- All the main functions such as hold-open, delayed action, backcheck.
- Proven, robust unit - capable of handling doors up to 300 kg in weight.

... for the user

- Maximum comfort and safety provided by multi-functional unit.
- Closing speed unaffected by temperature changes.
- Easy door operation due to high mechanical efficiency.

Technical Data

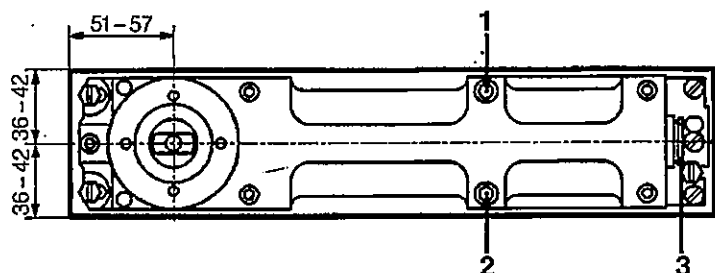
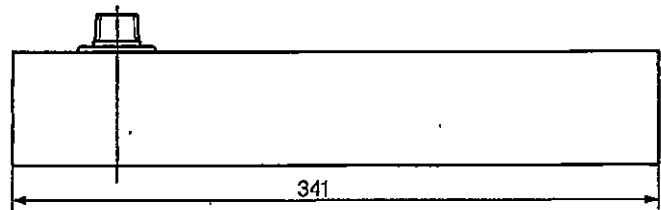
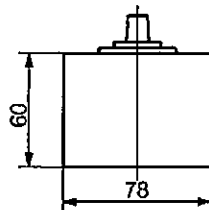
		BTS 80		
		EN 3	EN 4	EN 6
Spring strength				
Standard and external doors up to 1)	950 mm 1100 mm 1400 mm	● - -	- ● -	- - ●
for fire doors 2)		-	-	-
Non-handed suitable for single and double action doors		●	●	●
Closing speed variable by valve adjustment		●	●	●
Backcheck, mechanical		●	●	●
Hold-open, hydraulically adjustable		●	●	●
Delayed action variable by valve adjustment (as an alternative to the hold-open feature)		●	●	●
Weight in kg, approx.		7.1	7.1	7.1
Dimensions in mm	Length Width Height	341 78 60	341 78 60	341 78 60

● Yes - No

1) For applications involving particularly high or heavy doors, and doors which have to close against wind or draught conditions, the next larger closer size should be selected.

2) Has been included in successful fire tests to BS 476: Pt 8

See also brochure on BTS 80F, EMB, FLB floor springs, fire doors.



- 1 Closing speed adjustment Valve
- 2 Hold-open or delayed action valve
- 3 Adjustment screw for varying the start of the hold-open range or the end point of the delayed action range.