



工程指示 / 要求簡箋(E.I.)

工程指示編號：EI / 2648/20 修改版次：
 工程編號：J-837 工程名稱：官塘 裕民坊(平台)
 工程項目：Glass Door for Entrance at 3/F 配件 (S.I. 1703) PE-06
 收件人：林哥 發件人：大明 日期：29/10/2020

要求提供 / 確認 事項：

- | | | |
|------------------------------------|-------------------------------------|-------------------------------|
| <input type="checkbox"/> 初步鋁料 B.M. | <input type="checkbox"/> 加工拆圖，然後生產 | <input type="checkbox"/> 尺寸表 |
| <input type="checkbox"/> 正式鋁料 B.M. | <input type="checkbox"/> 技術上資料 / 指示 | <input type="checkbox"/> 報價 |
| <input type="checkbox"/> 配件 B.M. | <input type="checkbox"/> 樣辦或貨品說明書 | <input type="checkbox"/> 分判合約 |
| <input type="checkbox"/> 其他：_____ | | |

內容：

煩請依附件資料訂購

'Dorma' 7461 × 2 套
 'Dorma' B7S - 80 60 47 × 2 套

請在 _____ 前完成上列要求。

用於 EI 2628

附有關圖紙 / 文件：BM 表 頁, 圖紙 頁

以上項目為：

- 原合約工程包 原合約工程加 / 減賬 新工程報價

原因：-

分發東莞各部門：

- () 生產技術總監 連附件 () 技術部 連附件 () 生產部 連附件 () 機械設計部 連附件
 () 採購部 連附件 () 生產統籌部 連附件
 () 質檢部 連附件 () 會計部 連附件 () 報關組 連附件 () 其他 _____ 連附件

分發香港各部門：

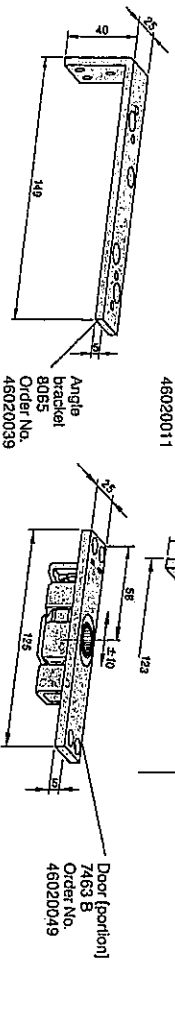
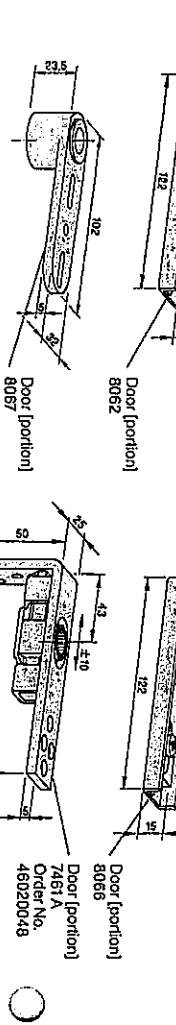
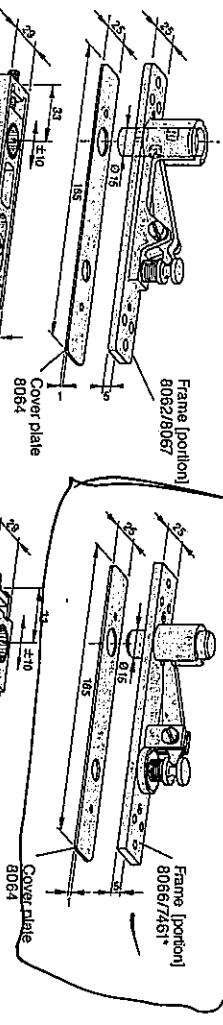
- () 行政部 連附件 () 會計部 連附件 () 統籌部 連附件 () 工程部地盤科文 連附件 大明
 () 採購部 連附件 () QS 部 連附件 () 維修部 連附件 () 其他 _____ 連附件

傳遞編號：

發件人簽署：

項目經理簽署：

Double action accessories for steel, aluminium and timber doors

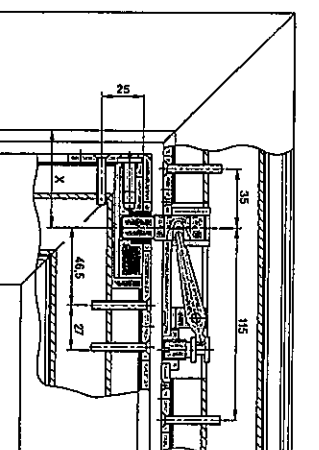
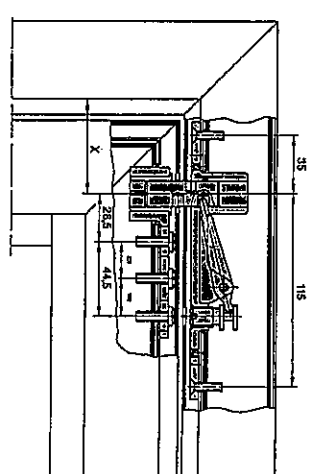
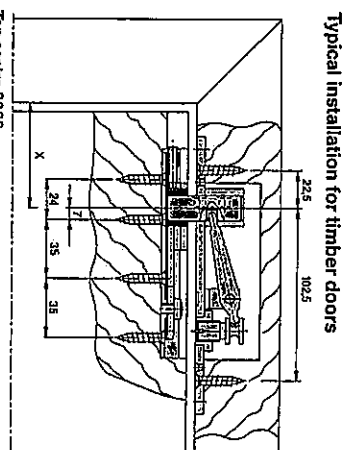
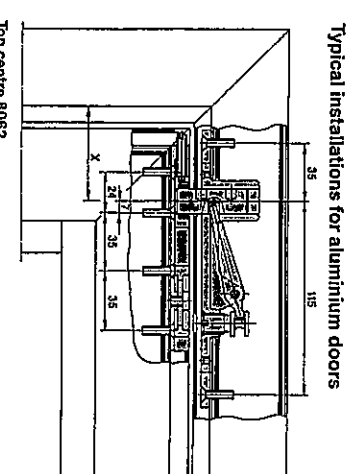
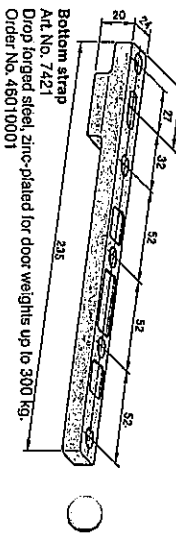
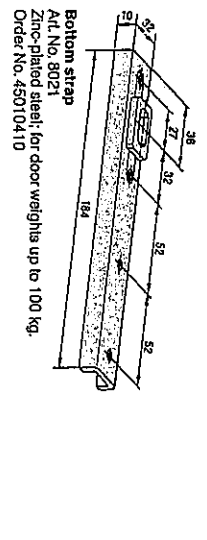
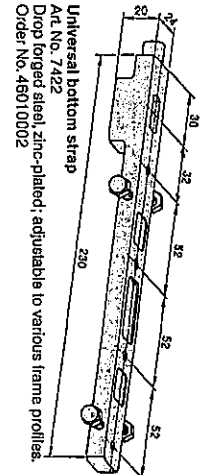


Adjustable top centres (complete),
Art. No. 8062 die cast aluminium Order No. 46300003
Art. No. 8066, steel Order No. 46300006
comprising an frame portion with adjustable pin for deep profiles up
to max. 20 mm, and door portion with needle bearing. For hollow
designs there is no routing of the base profile. For deeper
profiles, the top centre assembly can be supplied with pins
extended by 10 mm or 20 mm.

Cover plate
Art. No. 8064 Order No. 46020044
Order No. 46300530
In stainless steel, bright aluminium and EV 1 (Euras C-0)

Adjustable top centres (complete),
comprising an frame portion with adjustable pin for deep profiles up
to max. 20 mm, and door portion (A or B) for special door designs.
For deeper profiles, the top centre assembly can be supplied with
pins extended by 10 mm or 20 mm.

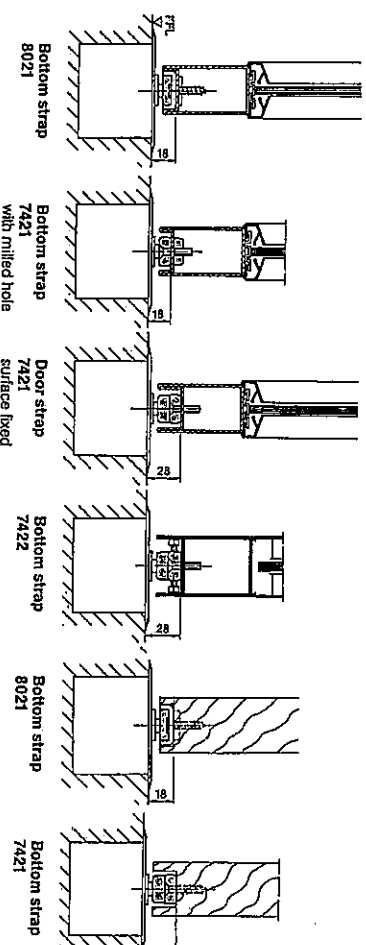
* For Door portions 7461 A and 7461 B, use frame portion 7461 with
13 mm dia. pin, Order No. 46020050.



Top centre 8067
X = min. 51 mm

Top centre 7461

Typical installations



DORMA BTS 80 -

**universal application,
multi-functional
quality assured**

PSA approved (MOB H3 03)
HTM 59 (DOH)



Plus points ...

... for the trade

- Just one model for virtually every application.
- All the main functions as standard for reduced stock-holding.
- Available with weak or strong spring for special applications.

... for the installer

- Non-handed, for single and double action doors.
- Interchangeable spindle inserts available to suit site conditions.

**... for the architect/
specifier**

- Concealed installation.
- All the main functions such as hold-open, delayed action, backcheck.
- Proven, robust unit - capable of handling doors up to 300 kg in weight.

... for the user

- Maximum comfort and safety provided by multi-functional unit.
- Closing speed unaffected by temperature changes.
- Easy door operation due to high mechanical efficiency.

Technical Data

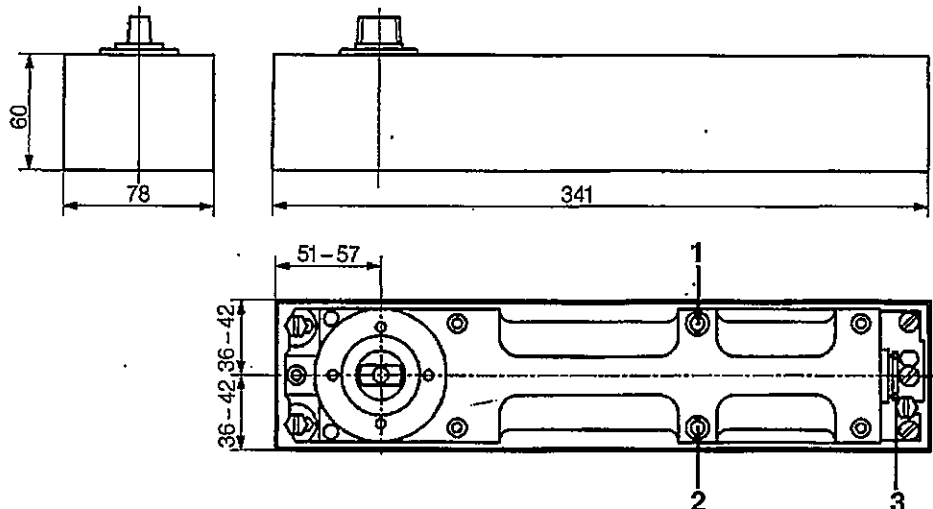
		BTS 80		
		EN 3	EN 4	EN 6
Spring strength				
Standard and external doors up to 1)	950 mm 1100 mm 1400 mm	● - -	● ● -	- - ●
for fire doors 2)		-	-	-
Non-handed suitable for single and double action doors		●	●	●
Closing speed variable by valve adjustment		●	●	●
Backcheck, mechanical		●	●	●
Hold-open, hydraulically adjustable		●	●	●
Delayed action variable by valve adjustment (as an alternative to the hold-open feature)		●	●	●
Weight in kg, approx.		7.1	7.1	7.1
Dimensions in mm	Length	341	341	341
	Width	78	78	78
	Height	60	60	60

● Yes - No

1) For applications involving particularly high or heavy doors, and doors which have to close against wind or draught conditions, the next larger closer size should be selected.

2) Has been included in successful fire tests to BS 476: Pt 8

See also brochure on BTS 80F, EMB, FLB floor springs, fire doors.



- 1 Closing speed adjustment Valve
- 2 Hold-open or delayed action valve
- 3 Adjustment screw for varying the start of the hold-open range or the end point of the delayed action range.