



工程指示 / 要求簡箋(E.I.)

工程指示編號：EI / 2629 / 20 修改版次：

工程編號：J-837

工程名稱：官塘 裕民坊(平台)

工程項目：Glass Door for Entrance at 3/F 配件 (S.I. 1703) PE-06

收件人：林哥

發件人：大明

日期：27/10/2020

要求提供 /  確認 事項：

- |                                    |                                     |                               |
|------------------------------------|-------------------------------------|-------------------------------|
| <input type="checkbox"/> 初步鋁料 B.M. | <input type="checkbox"/> 加工拆圖，然後生產  | <input type="checkbox"/> 尺寸表  |
| <input type="checkbox"/> 正式鋁料 B.M. | <input type="checkbox"/> 技術上資料 / 指示 | <input type="checkbox"/> 報價   |
| <input type="checkbox"/> 配件 B.M.   | <input type="checkbox"/> 樣辦或貨品說明書   | <input type="checkbox"/> 分判合約 |
| <input type="checkbox"/> 其他：_____  |                                     |                               |

內容：

煩請依附件資料訂購 `GCC' 55128L 門鎖 - 2 套,  
`Dorma' 8066 - 2 套,  
`Dorma' 7421 - 2 套,  
送回廠加工.

請在 03/11/2020 前完成上列要求。

用於 EI 2628

附有關圖紙 / 文件：BM 表 頁, 圖紙 頁

以上項目為:

- 原合約工程包                       原合約工程加 / 減賬                       新工程報價

原因：-

分發東莞各部門：

- ( ) 生產技術總監  連附件    ( ) 技術部     連附件    ( ) 生產部     連附件    ( ) 機械設計部  連附件  
 ( ) 採購部     連附件    ( ) 生產統籌部  連附件    梅. 軍  
 ( ) 質檢部     連附件    ( ) 會計部     連附件    ( ) 報關組     連附件    ( ) 其他 \_\_\_\_\_  連附件

分發香港各部門：

- ( ) 行政部  連附件    ( ) 會計部  連附件    ( ) 統籌部  連附件    ( ) 工程部地盤科文  連附件    膠明  
 ( ) 採購部  連附件    ( ) QS 部     連附件    ( ) 維修部  連附件    ( ) 其他 \_\_\_\_\_  連附件

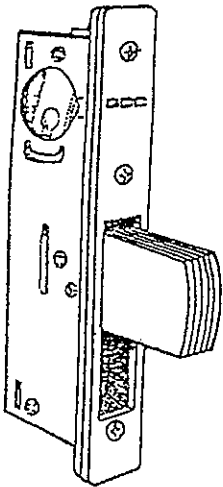
傳遞編號：HK 2451

發件人簽署：

項目經理簽署：

# GCC<sup>®</sup> Door Hardware

## 55128L DEADLOCK "LONG THROW"

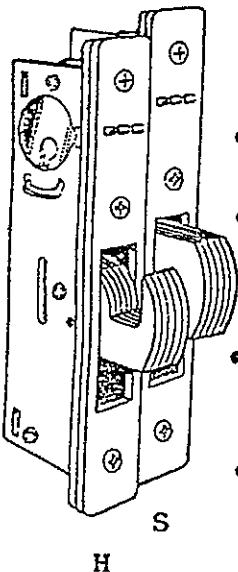


- Cylinder backset available: 31/32", 7/8", 1-1/8", and 1-1/2".
- Bolt 1-3/8" throw, made of 5 ply laminated steel with hardened roller pin in center to resist hacksaw attacks.
- Lock accepts standard 1-5/32" mortise key or thumbturn cylinders.
- 1" x 6-7/8" faceplates.

Faceplate Type	
55128L/1	
Flat faceplate	
55128L/2	
Radius faceplate	
55128L/3	
Radius weather-stripped faceplate	
55128L/4	
Left Hand beveled faceplate	
55128L/5	
Right Hand beveled faceplate	

Faceplate finishes;  
 AL - Anodized Satin Aluminum  
 DU - Anodized Bronze  
 BK - Anodized Black

## 55128S DEADLOCK "SHORT THROW" 55128H DEADLOCK "HOOK BOLT"

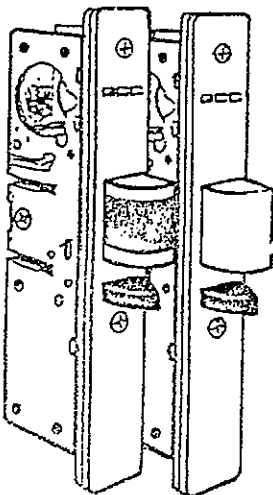


- Cylinder backset available: 31/32", 1-1/8", 7/8" and 1-1/2".
- Bolt 13/16" throw, made of 5 ply laminated steel with hardened roller pin in center to resist hacksaw attacks.
- Lock accepts standard 1-5/32" mortise key or thumbturn cylinders.
- 1" X 6-7/8" faceplates.

Faceplate Type	
55128(S or H)/1	
Flat faceplate	
55128(S or H)/2	
Radius faceplate	
55128(S or H)/3	
Radius weather-stripped faceplate	
55128(S or H)/4	
Left Hand beveled faceplate	
55128(S or H)/5	
Right Hand beveled faceplate	

Faceplate finishes;  
 AL - Anodized Satin Aluminum  
 DU - Anodized Bronze  
 BK - Anodized Black

## 55129 DEADLATCH LOCK



- Cylinder backset 1-1/8".
- Field reversible for opposite hand.
- Key controlled dogging.
- Latchbolt 1/2" throw with Delrin insert for smooth, quiet latching(A) or w/o Delrin insert(B).
- Lock accepts standard 1-5/32" mortise key or thumbturn cylinders.
- Strike included, US 26D.
- 1" X 6-7/8" faceplates.

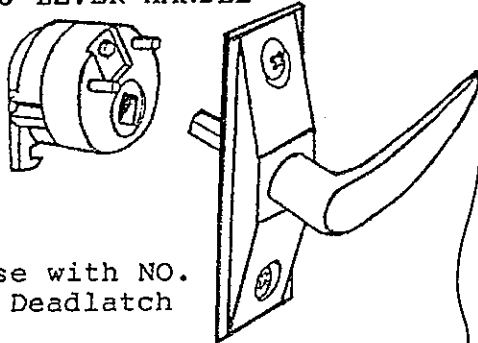
Faceplate Type	
55129/1	
Flat faceplate	
55129/2	
Radius faceplate	
55129/3	
Radius weather-stripped faceplate	
55129/4	
Left Hand beveled faceplate	
55129/5	
Right Hand beveled faceplate	

Faceplate finishes;  
 AL - Anodized Satin Aluminum  
 DU - Anodized Bronze  
 BK - Anodized Black

(A) (B)

# GCC<sup>®</sup> Door Hardware

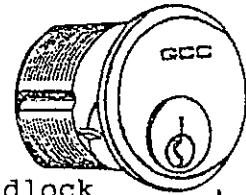
## LH-560 LEVER HANDLE



- \*For use with NO. 55129 Deadlatch Lock.
- \*Cam plug non-handed reversible in the field.
- \*Finishes available:
  - AL - Baked Satin Aluminum Paint
  - DU - Baked Storefront Bronze Paint
  - BK - Baked Black Paint

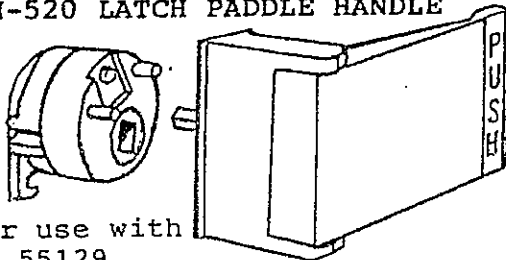
## MORTISE KEY CYLINDER

- ZC-101 (ZINC)
- BS-102 (SOLID BRASS)



- \*1-5/32" 5 pin cylinder.
- \*For use with Deadlock or Deadlatch Lock.
- \*Core face and Key US 26D.
- \*Cylinder ring 3/16" standard, 5/32" and 7/32" optional.
- \*Keyway available: Schlage "C", Yale "8".
- \*Finishes available:
  - AL - Anodized Satin Aluminum
  - DU - Anodized Bronze
  - BK - Anodized Black
  - PC - Polish Chrome (for BS-102 only)

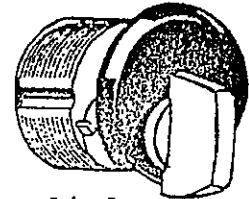
## PH-520 LATCH PADDLE HANDLE



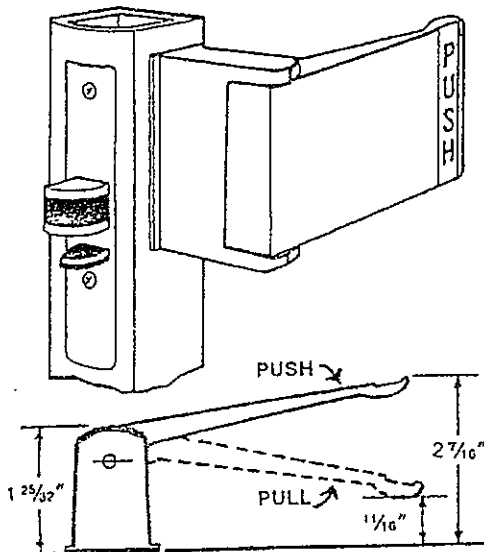
- \*For use with NO. 55129 Deadlatch Lock.
- \*Cam on cam plug is handed and can be reversed.
- \*Operation:
  - PSL - Push To Left
  - PSR - Push To Right
  - PLL - Pull To Left
  - PLR - Pull To Right
- \*Finish available:
  - AL - Anodized Satin Aluminum
  - DU - Anodized Bronze
  - BK - Anodized Black

## MORTISE THUMBTURN CYLINDER

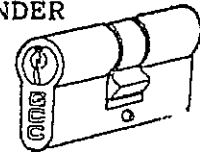
- ZC-101T (ZINC)
- BS-102T (SOLID BRASS)



- \*1-5/32" mortise cylinder.
- \*For use with Deadlock or Deadlatch Lock.
- \*Thumbturn US 26D.
- \*Cylinder ring 3/16" standard, 5/32" and 7/32" optional.
- \*Finishes available:
  - AL - Anodized Satin Aluminum
  - DU - Anodized Bronze
  - BK - Anodized Black
  - PC - Polish Chrome (for BS-102T only)



## 9125 DOUBLE ENDED EUROPROFILE MORTICE CYLINDER (CD-88)



- \*Length 2-15/32" (62mm) standard.
- \*For use with Patch Lock NO. GL-50, GL-34 or use with Deadlock NO. 55128L, 55128S, 55128H backset 1" (25mm) or 1-3/16" (30mm).
- \*Keyway available: Schlage "C" or Yale "8".
- \*Finish available:
  - PC - Polish Chrome
  - PB - Polish Brass
  - SC - Satin Chrome

