



工程指示編號：EI / 0561 / 19

修改版次：-

工程編號：J837 平台

工程名稱：觀塘 裕民坊平台

工程項目：平台鋁飾線和百業(鋁飾線位置)

收件人：生統

發件人：Leung Hin Wai

日期：11/05/2019

要求提供 / 確認 事項：

- | | | |
|------------------------------------|-------------------------------------|-------------------------------|
| <input type="checkbox"/> 初步鋁料 B.M. | <input type="checkbox"/> 加工拆圖，然後生產 | <input type="checkbox"/> 尺寸表 |
| <input type="checkbox"/> 正式鋁料 B.M. | <input type="checkbox"/> 技術上資料 / 指示 | <input type="checkbox"/> 報價 |
| <input type="checkbox"/> 配件 B.M. | <input type="checkbox"/> 樣辦或貨品說明書 | <input type="checkbox"/> 分判合約 |
| <input type="checkbox"/> 其他：_____ | | |

內容：

請按附頁加工。

出貨時可先出直料後出彎料

請在_____前完成上列要求。

附：

以上項目為：

原合約工程包

原合約工程加 / 減賬

新工程報價

原因：-

分發東莞各部門：

- () 生產技術總監 連附件 () 技術部 連附件 () 生產部 連附件 () 機械設計部 連附件
 () 採購部 連附件 () 生產統籌部 連附件
 () 質檢部 連附件 () 會計部 連附件 () 報關組 連附件 () 其他 _____ 連附件

分發香港各部門：

- () 行政部 連附件 () 會計部 連附件 () 統籌部 連附件 () 工程部地盤科文(柄) 連附件
 () 採購部 連附件 () QS 部 連附件 () 維修部 連附件 () 其他 _____ 連附件

傳遞編號：HK1093

發件人簽署：

項目經理簽署：



鋁材開料總表

工程號碼: J-833 工程名稱: 白石-屋仔

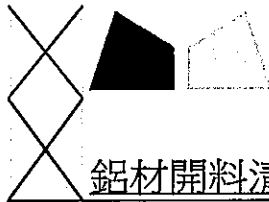
| 序號 | 鋁料編號 | 名稱 | 表面處理 | | 開料長度 | 實用長料總數量 | | 浪費率(%) |
|----|------------------|-------|------|----|------|---------|---------|--------|
| | | | 顏色 | 層厚 | | 支數 | 長度 | |
| 17 | PE00E3004-鋁 | | 香檳金 | | 6000 | 12 | 72000 | 10.73 |
| 18 | X85661-鋁槽 | | 香檳金 | | 5000 | 42 | 210000 | 5.28 |
| 22 | CA0000322-鋁 | | 香檳金 | | 5000 | 85 | 425000 | 3.56 |
| 23 | PE0E10027-鋁 | | 香檳金 | | 6100 | 38 | 231800 | 7.73 |
| 27 | PE00E3465-鋁 | | MILL | | 6100 | 75 | 457500 | 6.73 |
| 30 | X85618-百葉片 | | 香檳金 | | 6100 | 523 | 3190300 | 6.01 |
| 31 | PT0001060-鋁 | | MILL | | 5000 | 14 | 70000 | 19.42 |
| 32 | PE0E10021-鋁 | | 香檳金 | | 5800 | 3 | 17400 | 5.59 |
| 33 | 45x45x5mm鋁角 | 使用倉存料 | MILL | | 5800 | 1 | 5800 | 10.28 |
| | | | | | | | | |
| 92 | X85617-百葉頂 框 | | 香檳金 | | 6100 | 38 | 231800 | 7.22 |
| 93 | X85616-百葉底 框 | | 香檳金 | | 6100 | 38 | 231800 | 7.22 |
| 94 | X85640 -裝飾 線1 | | 白色 | | 6100 | 38 | 231800 | 6.88 |
| 95 | X85641 -裝飾 線2 | | 白色 | | 6100 | 38 | 231800 | 6.88 |

送至: _____

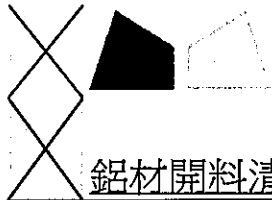
由: _____

日期: _____

簡短說明: _____



| 鋁料 長度 | 窗號 | 編號(用料狀況) | 實用長度(長料開數) | 需要 支數 | 開料 支數 | 長料 支數 | 餘料 支數 | 編號(剩餘長度) |
|----------|--|-----------|------------|----------|----------|----------|----------|---|
| 6100 | J837-FC-ST34B | (餘料)1 | 2296.0 | 1 | 1 | 0 | 1 | 1@(3451.8)x1 |
| 6100 | J837-FC-ST12B | (餘料)1 | 2126.0 | 1 | 1 | 0 | 1 | 1@(1321.8)x1 |
| 6100 | J837-FC-ST4B | 2 | 2033.0 | 1 | 1 | 1 | 0 | 2@(4043)x1 |
| 6100 | J837-FC-ST72A | (餘料)2 | 1997.0 | 1 | 1 | 0 | 1 | 2@(2042)x1 |
| 6100 | J837-FC-ST49B | (餘料)2 | 1986.0 | 1 | 1 | 0 | 1 | 2@(52)x1 |
| 6100 | J837-FC-ST56B | 3 | 1970.0 | 1 | 1 | 1 | 0 | 3@(4106)x1 |
| 6100 | J837-FC-ST51B | (餘料)3 | 1826.0 | 1 | 1 | 0 | 1 | 3@(2276)x1 |
| 6100 | J837-FC-ST69A | (餘料)3 | 1760.0 | 2 | 1 | 0 | 1 | 3@(512)x1 |
| 6100 | J837-FC-ST69A | 4 | 1760.0 | | 1 | 1 | 0 | 4@(4316)x1 |
| 6100 | J837-FC-ST83B | (餘料)4 | 1742.0 | 1 | 1 | 0 | 1 | 4@(2570)x1 |
| 6100 | J837-FC-ST24B | (餘料)4 | 1732.0 | 1 | 1 | 0 | 1 | 4@(834)x1 |
| 6100 | J837-FC-ST44B | 5 | 1727.0 | 1 | 1 | 1 | 0 | 5@(4349)x1 |
| 6100 | J837-FC-ST42B | (餘料)5 | 1710.0 | 1 | 1 | 0 | 1 | 5@(2635)x1 |
| 6100 | J837-FC-ST40B | (餘料)5 | 1703.0 | 1 | 1 | 0 | 1 | 5@(928)x1 |
| 6100 | J837-FC-ST65B | 6 | 1683.0 | 1 | 1 | 1 | 0 | 6@(4393)x1 |
| 6100 | J837-FC-ST27B | (餘料)6 | 1645.0 | 1 | 1 | 0 | 1 | 6@(2744)x1 |
| 6100 | J837-FC-ST45B | (餘料)6 | 1639.0 | 1 | 1 | 0 | 1 | 6@(1101)x1 |
| 6100 | J837-FC-ST64A | 7 | 1633.0 | 1 | 1 | 1 | 0 | 7@(4443)x1 |
| 6100 | J837-FC-ST13B | (餘料)7 | 1593.0 | 1 | 1 | 0 | 1 | 7@(2846)x1 |
| 6100 | J837-FC-ST48B | (餘料)7 | 1591.0 | 2 | 1 | 0 | 1 | 7@(1251)x1 |
| 6100 | J837-FC-ST48B | 8 | 1591.0 | | 1 | 1 | 0 | 8@(4485)x1 |
| 6100 | J837-FC-ST59A | (餘料)8 | 1583.0 | 1 | 1 | 0 | 1 | 8@(2898)x1 |
| 6100 | J837-FC-ST37B | (餘料)8 | 1573.0 | 2 | 1 | 0 | 1 | 8@(1321)x1 |
| 6100 | J837-FC-ST37B | 9 | 1573.0 | | 1 | 1 | 0 | 9@(4503)x1 |
| 6100 | J837-FC-ST60A | (餘料)9 | 1571.0 | 1 | 1 | 0 | 1 | 9@(2928)x1 |
| 6100 | J837-FC-ST14B | (餘料)9 | 1551.0 | 1 | 1 | 0 | 1 | 9@(1373)x1 |
| 6100 | J837-FC-ST46B | 10 | 1530.0 | 3 | 3 | 1 | 0 | 10@(1478)x1 |
| 6100 | J837-FC-ST54B | 11 | 1528.0 | 1 | 1 | 1 | 0 | 11@(4548)x1 |
| 6100 | J837-FC-ST15B | (餘料)11 | 1527.0 | 2 | 2 | 0 | 1 | 11@(1486)x1 |
| 6100 | J837-FC-ST39B, J837-FC-ST6B | (餘料)12-13 | 1526.0 | 7 | 3 | 0 | 2 | 12-13@(1490)x2 |
| 6100 | J837-FC-ST35B, J837-FC-ST39B, J837-FC-ST6B | 12-14 | 1526.0 | | 4 | 3 | 0 | 12@(4550)x1 13@(3020)x1 14@(4550)x1 |
| 6100 | J837-FC-ST19B | (餘料)14 | 1525.0 | 1 | 1 | 0 | 1 | 14@(3021)x1 |
| 6100 | J837-FC-ST21B | (餘料)14 | 1521.0 | 2 | 1 | 0 | 1 | 14@(1496)x1 |
| 6100 | J837-FC-ST41B | 15 | 1521.0 | | 1 | 1 | 0 | 15@(4555)x1 |
| 6100 | J837-FC-ST84B | (餘料)15 | 1517.3 | 1 | 1 | 0 | 1 | 15@(3033.7)x1 |
| 6100 | J837-FC-ST9B | (餘料)15 | 1517.0 | 1 | 1 | 0 | 1 | 15@(1512.7)x1 |
| 6100 | J837-FC-ST22B | 16 | 1516.0 | 1 | 1 | 1 | 0 | 16@(4560)x1 |
| 6100 | J837-FC-ST5B | (餘料)16 | 1514.0 | 2 | 2 | 0 | 1 | 16@(1524)x1 |
| 6100 | J837-FC-ST10B | (餘料)16 | 1512.0 | 1 | 1 | 0 | 1 | 16@(8)x1 |
| 6100 | J837-FC-ST53A | (餘料)15 | 1506.0 | 1 | 1 | 0 | 1 | 15@(2.7)x1 |
| 6100 | J837-FC-ST20B | 17 | 1499.0 | 1 | 1 | 1 | 0 | 17@(4577)x1 |
| 6100 | J837-FC-ST11B | (餘料)17 | 1498.0 | 2 | 2 | 0 | 1 | 17@(1573)x1 |
| 6100 | J837-FC-ST36B | (餘料)12 | 1485.0 | 1 | 1 | 0 | 1 | 12@(1)x1 |
| 6100 | J837-FC-ST47B | (餘料)10 | 1469.0 | 1 | 1 | 0 | 1 | 10@(5)x1 |
| 6100 | J837-FC-ST38B | (餘料)11 | 1465.0 | 1 | 1 | 0 | 1 | 11@(17)x1 |
| 6100 | J837-FC-ST74B | (餘料)13 | 1461.0 | 1 | 1 | 0 | 1 | 13@(25)x1 |
| 6100 | J837-FC-ST28B | (餘料)14 | 1460.0 | 1 | 1 | 0 | 1 | 14@(32)x1 |
| 6100 | J837-FC-ST26B | (餘料)17 | 1459.0 | 2 | 1 | 0 | 1 | 17@(110)x1 |



| 鋁料 長度 | 窗號 | 編號(用料狀況) | 實用長度(長料開數) | 需要 支數 | 開料 支數 | 長料 支數 | 餘料 支數 | 編號(剩餘長度) |
|----------|------------------------------|-----------|------------|----------|----------|----------|----------|------------------------------|
| 6100 | J837-FC-ST26B | 18 | 1459.0 | | 1 | 1 | 0 | 18@(4617)x1 |
| 6100 | J837-FC-ST57A | (餘料)18 | 1430.0 | 1 | 1 | 0 | 1 | 18@(3183)x1 |
| 6100 | J837-FC-ST1B | (餘料)18 | 1424.0 | 13 | 2 | 0 | 1 | 18@(327)x1 |
| 6100 | J837-FC-ST1B | 19-21 | 1424.0 | | 11 | 3 | 0 | 19-20@(368)x2 21@(1796)x1 |
| 6100 | J837-FC-ST50B | (餘料)21 | 1423.0 | 15 | 1 | 0 | 1 | 21@(369)x1 |
| 6100 | J837-FC-ST50B | 22-25 | 1423.0 | | 14 | 4 | 0 | 22-24@(372)x3 25@(3226)x1 |
| 6100 | J837-FC-ST3B | (餘料)25 | 1422.0 | 1 | 1 | 0 | 1 | 25@(1800)x1 |
| 6100 | J837-FC-ST85A | (餘料)25 | 1417.0 | 6 | 1 | 0 | 1 | 25@(379)x1 |
| 6100 | J837-FC-ST85A | 26-27 | 1417.0 | | 5 | 2 | 0 | 26@(396)x1 27@(4659)x1 |
| 6100 | J837-FC-ST43B | (餘料)27 | 1411.0 | 1 | 1 | 0 | 1 | 27@(3244)x1 |
| 6100 | J837-FC-ST31B | (餘料)27 | 1384.0 | 12 | 2 | 0 | 1 | 27@(468)x1 |
| 6100 | J837-FC-ST31B | 28-30 | 1384.0 | | 10 | 3 | 0 | 28-29@(528)x2 30@(3304)x1 |
| 6100 | J837-FC-ST33B | (餘料)30 | 1379.0 | 1 | 1 | 0 | 1 | 30@(1921)x1 |
| 6100 | J837-FC-ST70A | (餘料)9 | 1368.0 | 1 | 1 | 0 | 1 | 9@(1)x1 |
| 6100 | J837-FC-ST17B | (餘料)30 | 1364.0 | 7 | 1 | 0 | 1 | 30@(553)x1 |
| 6100 | J837-FC-ST17B | 31-32 | 1364.0 | | 6 | 2 | 0 | 31@(608)x1 32@(3344)x1 |
| 6100 | J837-FC-ST16B | (餘料)32 | 1344.0 | 1 | 1 | 0 | 1 | 32@(1996)x1 |
| 6100 | J837-FC-ST18B | (餘料)32 | 1343.0 | 1 | 1 | 0 | 1 | 32@(649)x1 |
| 6100 | J837-FC-ST7B | 33 | 1342.0 | 2 | 2 | 1 | 0 | 33@(3388)x1 |
| 6100 | J837-FC-ST61A | (餘料)33 | 1337.0 | 2 | 2 | 0 | 1 | 33@(706)x1 |
| 6100 | J837-FC-ST8B | 34 | 1321.0 | 1 | 1 | 1 | 0 | 34@(4755)x1 |
| 6100 | J837-FC-ST58A | (餘料)1 | 1314.0 | 1 | 1 | 0 | 1 | 1@(3.8)x1 |
| 6100 | J837-FC-ST62A | (餘料)8 | 1291.0 | 1 | 1 | 0 | 1 | 8@(26)x1 |
| 6100 | J837-FC-ST52B | (餘料)34 | 1275.0 | 3 | 3 | 0 | 1 | 34@(918)x1 |
| 6100 | J837-FC-ST68A | 35 | 1267.0 | 1 | 1 | 1 | 0 | 35@(4809)x1 |
| 6100 | J837-FC-ST63A | (餘料)35 | 1253.0 | 1 | 1 | 0 | 1 | 35@(3552)x1 |
| 6100 | J837-FC-ST29B | (餘料)7 | 1244.0 | 1 | 1 | 0 | 1 | 7@(3)x1 |
| 6100 | J837-FC-ST67A | (餘料)35 | 1234.0 | 1 | 1 | 0 | 1 | 35@(2314)x1 |
| 6100 | J837-FC-ST75B | (餘料)35 | 1225.0 | 1 | 1 | 0 | 1 | 35@(1085)x1 |
| 6100 | J837-FC-ST30B | 36 | 1219.0 | 2 | 2 | 1 | 0 | 36@(3634)x1 |
| 6100 | J837-FC-ST66A | (餘料)36 | 1217.0 | 1 | 1 | 0 | 1 | 36@(2413)x1 |
| 6100 | J837-FC-ST78B | (餘料)36 | 1214.0 | 1 | 1 | 0 | 1 | 36@(1195)x1 |
| 6100 | J837-FC-ST25B, J837-FC-ST81B | (餘料)36-37 | 1169.0 | 4 | 3 | 0 | 2 | 36@(22)x1 37@(2561)x1 |
| 6100 | J837-FC-ST25B | 37 | 1169.0 | | 1 | 1 | 0 | 37@(4907)x1 |
| 6100 | J837-FC-ST82B | (餘料)37 | 1166.0 | 2 | 2 | 0 | 1 | 37@(221)x1 |
| 6100 | J837-FC-ST77B | 38 | 1154.0 | 1 | 1 | 1 | 0 | 38@(4922)x1 |
| 6100 | J837-FC-ST80B | (餘料)38 | 1116.0 | 2 | 2 | 0 | 1 | 38@(2682)x1 |
| 6100 | J837-FC-ST86B | 1 | 324.2 | 1 | 1 | 1 | 0 | 1@(5751.8)x1 |

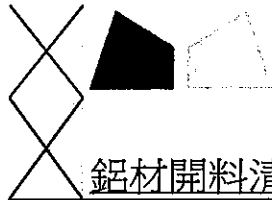
鋁材開料清單 X85640 - 裝飾線

| 窗號 | 編號(用料狀況) | 實用長度(長料開數) | 需要支數 | 開料支數 | 長料支數 | 餘料支數 | 編號(剩餘長度) |
|--|-----------|------------|------|------|------|------|---|
| J837-FC-ST34A | (餘料)1 | 2296.0 | 1 | 1 | 0 | 1 | 1@(3451.8)x1 |
| J837-FC-ST12A | (餘料)1 | 2126.0 | 1 | 1 | 0 | 1 | 1@(1321.8)x1 |
| J837-FC-ST4A | 2 | 2033.0 | 1 | 1 | 1 | 0 | 2@(4043)x1 |
| J837-FC-ST72A | (餘料)2 | 1997.0 | 1 | 1 | 0 | 1 | 2@(2042)x1 |
| J837-FC-ST49A | (餘料)2 | 1986.0 | 1 | 1 | 0 | 1 | 2@(52)x1 |
| J837-FC-ST56A | 3 | 1970.0 | 1 | 1 | 1 | 0 | 3@(4106)x1 |
| J837-FC-ST51A | (餘料)3 | 1826.0 | 1 | 1 | 0 | 1 | 3@(2276)x1 |
| J837-FC-ST69A | (餘料)3 | 1760.0 | 2 | 1 | 0 | 1 | 3@(512)x1 |
| J837-FC-ST69A | 4 | 1760.0 | | 1 | 1 | 0 | 4@(4316)x1 |
| J837-FC-ST83A | (餘料)4 | 1742.0 | 1 | 1 | 0 | 1 | 4@(2570)x1 |
| J837-FC-ST24A | (餘料)4 | 1732.0 | 1 | 1 | 0 | 1 | 4@(834)x1 |
| J837-FC-ST44A | 5 | 1727.0 | 1 | 1 | 1 | 0 | 5@(4349)x1 |
| J837-FC-ST42A | (餘料)5 | 1710.0 | 1 | 1 | 0 | 1 | 5@(2635)x1 |
| J837-FC-ST40A | (餘料)5 | 1703.0 | 1 | 1 | 0 | 1 | 5@(928)x1 |
| J837-FC-ST65A | 6 | 1683.0 | 1 | 1 | 1 | 0 | 6@(4393)x1 |
| J837-FC-ST27A | (餘料)6 | 1645.0 | 1 | 1 | 0 | 1 | 6@(2744)x1 |
| J837-FC-ST45A | (餘料)6 | 1639.0 | 1 | 1 | 0 | 1 | 6@(1101)x1 |
| J837-FC-ST64A | 7 | 1633.0 | 1 | 1 | 1 | 0 | 7@(4443)x1 |
| J837-FC-ST13A | (餘料)7 | 1593.0 | 1 | 1 | 0 | 1 | 7@(2846)x1 |
| J837-FC-ST48A | (餘料)7 | 1591.0 | 2 | 1 | 0 | 1 | 7@(1251)x1 |
| J837-FC-ST48A | 8 | 1591.0 | | 1 | 1 | 0 | 8@(4485)x1 |
| J837-FC-ST59A | (餘料)8 | 1583.0 | 1 | 1 | 0 | 1 | 8@(2898)x1 |
| J837-FC-ST37A | (餘料)8 | 1573.0 | 2 | 1 | 0 | 1 | 8@(1321)x1 |
| J837-FC-ST37A | 9 | 1573.0 | | 1 | 1 | 0 | 9@(4503)x1 |
| J837-FC-ST60A | (餘料)9 | 1571.0 | 1 | 1 | 0 | 1 | 9@(2928)x1 |
| J837-FC-ST14A | (餘料)9 | 1551.0 | 1 | 1 | 0 | 1 | 9@(1373)x1 |
| J837-FC-ST46A | 10 | 1530.0 | 3 | 3 | 1 | 0 | 10@(1478)x1 |
| J837-FC-ST54A | 11 | 1528.0 | 1 | 1 | 1 | 0 | 11@(4548)x1 |
| J837-FC-ST15A | (餘料)11 | 1527.0 | 2 | 2 | 0 | 1 | 11@(1486)x1 |
| J837-FC-ST39A, J837-FC-ST6A | (餘料)12-13 | 1526.0 | 7 | 3 | 0 | 2 | 12-13@(1490)x2 |
| J837-FC-ST35A, J837-FC-ST39A, J837-FC-ST6A | 12-14 | 1526.0 | | 4 | 3 | 0 | 12@(4550)x1 13@(3020)x1 14@(4550)x1 |
| J837-FC-ST19A | (餘料)14 | 1525.0 | 1 | 1 | 0 | 1 | 14@(3021)x1 |
| J837-FC-ST21A | (餘料)14 | 1521.0 | 2 | 1 | 0 | 1 | 14@(1496)x1 |
| J837-FC-ST41A | 15 | 1521.0 | | 1 | 1 | 0 | 15@(4555)x1 |
| J837-FC-ST84A | (餘料)15 | 1517.3 | 1 | 1 | 0 | 1 | 15@(3033.7)x1 |
| J837-FC-ST9A | (餘料)15 | 1517.0 | 1 | 1 | 0 | 1 | 15@(1512.7)x1 |
| J837-FC-ST22A | 16 | 1516.0 | 1 | 1 | 1 | 0 | 16@(4560)x1 |
| J837-FC-ST5A | (餘料)16 | 1514.0 | 2 | 2 | 0 | 1 | 16@(1524)x1 |
| J837-FC-ST10A | (餘料)16 | 1512.0 | 1 | 1 | 0 | 1 | 16@(8)x1 |
| J837-FC-ST53A | (餘料)15 | 1506.0 | 1 | 1 | 0 | 1 | 15@(2.7)x1 |
| J837-FC-ST20A | 17 | 1499.0 | 1 | 1 | 1 | 0 | 17@(4577)x1 |
| J837-FC-ST11A | (餘料)17 | 1498.0 | 2 | 2 | 0 | 1 | 17@(1573)x1 |
| J837-FC-ST36A | (餘料)12 | 1485.0 | 1 | 1 | 0 | 1 | 12@(1)x1 |
| J837-FC-ST47A | (餘料)10 | 1469.0 | 1 | 1 | 0 | 1 | 10@(5)x1 |
| J837-FC-ST38A | (餘料)11 | 1465.0 | 1 | 1 | 0 | 1 | 11@(17)x1 |
| J837-FC-ST74A | (餘料)13 | 1461.0 | 1 | 1 | 0 | 1 | 13@(25)x1 |
| J837-FC-ST28A | (餘料)14 | 1460.0 | 1 | 1 | 0 | 1 | 14@(32)x1 |
| J837-FC-ST26A | (餘料)17 | 1459.0 | 2 | 1 | 0 | 1 | 17@(110)x1 |

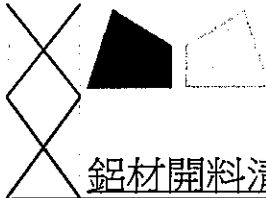
工程號碼: J-833, 工程名稱: 白石-屋仔
開料長度: 6100, 總長料支數: 38, 總開料支數: 148
鋸片厚度(mm): 4, 料頭尾總切除(mm): 20, 浪費率

鋁材開料清單 X85640 - 裝飾線

| 窗號 | 編號(用料狀況) | 實用長度(長料開數) | 需要支數 | 開料支數 | 長料支數 | 餘料支數 | 編號(剩餘長度) |
|------------------------------|-----------|------------|------|------|------|------|------------------------------|
| J837-FC-ST26A | 18 | 1459.0 | | 1 | 1 | 0 | 18@(4617)x1 |
| J837-FC-ST57A | (餘料)18 | 1430.0 | 1 | 1 | 0 | 1 | 18@(3183)x1 |
| J837-FC-ST1A | (餘料)18 | 1424.0 | 13 | 2 | 0 | 1 | 18@(327)x1 |
| J837-FC-ST1A | 19-21 | 1424.0 | | 11 | 3 | 0 | 19-20@(368)x2 21@(1796)x1 |
| J837-FC-ST50A | (餘料)21 | 1423.0 | 15 | 1 | 0 | 1 | 21@(369)x1 |
| J837-FC-ST50A | 22-25 | 1423.0 | | 14 | 4 | 0 | 22-24@(372)x3 25@(3226)x1 |
| J837-FC-ST3A | (餘料)25 | 1422.0 | 1 | 1 | 0 | 1 | 25@(1800)x1 |
| J837-FC-ST85A | (餘料)25 | 1417.0 | 6 | 1 | 0 | 1 | 25@(379)x1 |
| J837-FC-ST85A | 26-27 | 1417.0 | | 5 | 2 | 0 | 26@(396)x1 27@(4659)x1 |
| J837-FC-ST43A | (餘料)27 | 1411.0 | 1 | 1 | 0 | 1 | 27@(3244)x1 |
| J837-FC-ST31A | (餘料)27 | 1384.0 | 12 | 2 | 0 | 1 | 27@(468)x1 |
| J837-FC-ST31A | 28-30 | 1384.0 | | 10 | 3 | 0 | 28-29@(528)x2 30@(3304)x1 |
| J837-FC-ST33A | (餘料)30 | 1379.0 | 1 | 1 | 0 | 1 | 30@(1921)x1 |
| J837-FC-ST70A | (餘料)9 | 1368.0 | 1 | 1 | 0 | 1 | 9@(1)x1 |
| J837-FC-ST17A | (餘料)30 | 1364.0 | 7 | 1 | 0 | 1 | 30@(553)x1 |
| J837-FC-ST17A | 31-32 | 1364.0 | | 6 | 2 | 0 | 31@(608)x1 32@(3344)x1 |
| J837-FC-ST16A | (餘料)32 | 1344.0 | 1 | 1 | 0 | 1 | 32@(1996)x1 |
| J837-FC-ST18A | (餘料)32 | 1343.0 | 1 | 1 | 0 | 1 | 32@(649)x1 |
| J837-FC-ST7A | 33 | 1342.0 | 2 | 2 | 1 | 0 | 33@(3388)x1 |
| J837-FC-ST61A | (餘料)33 | 1337.0 | 2 | 2 | 0 | 1 | 33@(706)x1 |
| J837-FC-ST8A | 34 | 1321.0 | 1 | 1 | 1 | 0 | 34@(4755)x1 |
| J837-FC-ST58A | (餘料)1 | 1314.0 | 1 | 1 | 0 | 1 | 1@(3.8)x1 |
| J837-FC-ST62A | (餘料)8 | 1291.0 | 1 | 1 | 0 | 1 | 8@(26)x1 |
| J837-FC-ST52A | (餘料)34 | 1275.0 | 3 | 3 | 0 | 1 | 34@(918)x1 |
| J837-FC-ST68A | 35 | 1267.0 | 1 | 1 | 1 | 0 | 35@(4809)x1 |
| J837-FC-ST63A | (餘料)35 | 1253.0 | 1 | 1 | 0 | 1 | 35@(3552)x1 |
| J837-FC-ST29A | (餘料)7 | 1244.0 | 1 | 1 | 0 | 1 | 7@(3)x1 |
| J837-FC-ST67A | (餘料)35 | 1234.0 | 1 | 1 | 0 | 1 | 35@(2314)x1 |
| J837-FC-ST75A | (餘料)35 | 1225.0 | 1 | 1 | 0 | 1 | 35@(1085)x1 |
| J837-FC-ST30A | 36 | 1219.0 | 2 | 2 | 1 | 0 | 36@(3634)x1 |
| J837-FC-ST66A | (餘料)36 | 1217.0 | 1 | 1 | 0 | 1 | 36@(2413)x1 |
| J837-FC-ST78A | (餘料)36 | 1214.0 | 1 | 1 | 0 | 1 | 36@(1195)x1 |
| J837-FC-ST25A, J837-FC-ST81A | (餘料)36-37 | 1169.0 | 4 | 3 | 0 | 2 | 36@(22)x1 37@(2561)x1 |
| J837-FC-ST25A | 37 | 1169.0 | | 1 | 1 | 0 | 37@(4907)x1 |
| J837-FC-ST82A | (餘料)37 | 1166.0 | 2 | 2 | 0 | 1 | 37@(221)x1 |
| J837-FC-ST77A | 38 | 1154.0 | 1 | 1 | 1 | 0 | 38@(4922)x1 |
| J837-FC-ST80A | (餘料)38 | 1116.0 | 2 | 2 | 0 | 1 | 38@(2682)x1 |
| J837-FC-ST86A | 1 | 324.2 | 1 | 1 | 1 | 0 | 1@(5751.8)x1 |

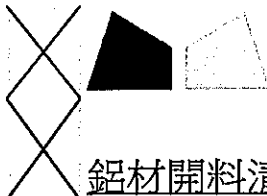


| 鋁料長度 | 窗號 | 編號(用料狀況) | 實用長度(長料開數) | 需要支數 | 開料支數 | 長料支數 | 餘料支數 | 編號(剩餘長度) |
|------|--------------------------------|------------|------------|------|------|------|------|----------------------------|
| 6100 | J837-FC-HAL34C | (餘料)1 | 2290.0 | 1 | 1 | 0 | 1 | 1@(3556.3)x1 |
| 6100 | J837-FC-HAL12C | (餘料)1 | 2122.5 | 1 | 1 | 0 | 1 | 1@(1429.8)x1 |
| 6100 | J837-FC-HAL4C | 2 | 2029.5 | 1 | 1 | 1 | 0 | 2@(4046.5)x1 |
| 6100 | J837-FC-HAL72C | (餘料)2 | 1991.0 | 1 | 1 | 0 | 1 | 2@(2051.5)x1 |
| 6100 | J837-FC-HAL49C | (餘料)2 | 1980.0 | 1 | 1 | 0 | 1 | 2@(67.5)x1 |
| 6100 | J837-FC-HAL56C | 3 | 1941.3 | 1 | 1 | 1 | 0 | 3@(4134.7)x1 |
| 6100 | J837-FC-HAL51C | (餘料)3 | 1820.0 | 1 | 1 | 0 | 1 | 3@(2310.7)x1 |
| 6100 | J837-FC-HAL69C | (餘料)3 | 1754.0 | 2 | 1 | 0 | 1 | 3@(552.7)x1 |
| 6100 | J837-FC-HAL69C | 4 | 1754.0 | | 1 | 1 | 0 | 4@(4322)x1 |
| 6100 | J837-FC-HAL83C | (餘料)4 | 1740.0 | 1 | 1 | 0 | 1 | 4@(2578)x1 |
| 6100 | J837-FC-HAL24C | (餘料)4 | 1730.0 | 1 | 1 | 0 | 1 | 4@(844)x1 |
| 6100 | J837-FC-HAL44C | 5 | 1721.0 | 1 | 1 | 1 | 0 | 5@(4355)x1 |
| 6100 | J837-FC-HAL42C | (餘料)5 | 1704.0 | 1 | 1 | 0 | 1 | 5@(2647)x1 |
| 6100 | J837-FC-HAL40C | (餘料)5 | 1685.7 | 1 | 1 | 0 | 1 | 5@(957.3)x1 |
| 6100 | J837-FC-HAL65C | 6 | 1673.2 | 1 | 1 | 1 | 0 | 6@(4402.8)x1 |
| 6100 | J837-FC-HAL27C | (餘料)6 | 1643.0 | 1 | 1 | 0 | 1 | 6@(2755.8)x1 |
| 6100 | J837-FC-HAL45C | (餘料)6 | 1633.0 | 1 | 1 | 0 | 1 | 6@(1118.8)x1 |
| 6100 | J837-FC-HAL64C | 7 | 1627.0 | 1 | 1 | 1 | 0 | 7@(4449)x1 |
| 6100 | J837-FC-HAL13C | (餘料)7 | 1589.5 | 1 | 1 | 0 | 1 | 7@(2855.5)x1 |
| 6100 | J837-FC-HAL48C | (餘料)7 | 1585.0 | 2 | 1 | 0 | 1 | 7@(1266.5)x1 |
| 6100 | J837-FC-HAL48C | 8 | 1585.0 | | 1 | 1 | 0 | 8@(4491)x1 |
| 6100 | J837-FC-HAL59C | (餘料)8 | 1577.0 | 1 | 1 | 0 | 1 | 8@(2910)x1 |
| 6100 | J837-FC-HAL37C | (餘料)8 | 1567.0 | 2 | 1 | 0 | 1 | 8@(1339)x1 |
| 6100 | J837-FC-HAL37C | 9 | 1567.0 | | 1 | 1 | 0 | 9@(4509)x1 |
| 6100 | J837-FC-HAL60C | (餘料)9 | 1565.0 | 1 | 1 | 0 | 1 | 9@(2940)x1 |
| 6100 | J837-FC-HAL14C | (餘料)9 | 1547.5 | 1 | 1 | 0 | 1 | 9@(1388.5)x1 |
| 6100 | J837-FC-HAL46C | 10 | 1524.0 | 3 | 3 | 1 | 0 | 10@(1496)x1 |
| 6100 | J837-FC-HAL15C | 11 | 1523.5 | 2 | 2 | 1 | 0 | 11@(3025)x1 |
| 6100 | J837-FC-HAL6C | (餘料)11 | 1522.5 | 2 | 1 | 0 | 1 | 11@(1498.5)x1 |
| 6100 | J837-FC-HAL6C | 12 | 1522.5 | | 1 | 1 | 0 | 12@(4553.5)x1 |
| 6100 | J837-FC-HAL54C | (餘料)12 | 1522.0 | 1 | 1 | 0 | 1 | 12@(3027.5)x1 |
| 6100 | J837-FC-HAL19C | (餘料)12 | 1521.5 | 1 | 1 | 0 | 1 | 12@(1502)x1 |
| 6100 | J837-FC-HAL39C | (餘料)13 | 1520.0 | 5 | 2 | 0 | 1 | 13@(1508)x1 |
| 6100 | J837-FC-HAL35C, J837-FC-HAL39C | 13-14 | 1520.0 | | 3 | 2 | 0 | 13@(4556)x1 14@(3032)x1 |
| 6100 | J837-FC-HAL21C | (餘料)14 | 1517.5 | 1 | 1 | 0 | 1 | 14@(1510.5)x1 |
| 6100 | J837-FC-HAL84C | (餘料)15 | 1515.0 | 2 | 1 | 0 | 1 | 15@(3042)x1 |
| 6100 | J837-FC-HAL41C | 15 | 1515.0 | | 1 | 1 | 0 | 15@(4561)x1 |
| 6100 | J837-FC-HAL9C | (餘料)15 | 1513.5 | 1 | 1 | 0 | 1 | 15@(1524.5)x1 |
| 6100 | J837-FC-HAL22C | (餘料)15 | 1512.5 | 1 | 1 | 0 | 1 | 15@(8)x1 |
| 6100 | J837-FC-HAL5C | 16 | 1510.5 | 2 | 2 | 1 | 0 | 16@(3051)x1 |
| 6100 | J837-FC-HAL10C | (餘料)16 | 1508.5 | 1 | 1 | 0 | 1 | 16@(1538.5)x1 |
| 6100 | J837-FC-HAL53C | (餘料)13 | 1500.0 | 1 | 1 | 0 | 1 | 13@(4)x1 |
| 6100 | J837-FC-HAL20C | (餘料)12 | 1495.5 | 1 | 1 | 0 | 1 | 12@(2.5)x1 |
| 6100 | J837-FC-HAL11C | (餘料)11, 14 | 1494.5 | 2 | 2 | 0 | 2 | 11@(0)x1 14@(12)x1 |
| 6100 | J837-FC-HAL36C | (餘料)10 | 1479.0 | 1 | 1 | 0 | 1 | 10@(13)x1 |
| 6100 | J837-FC-HAL47C | (餘料)16 | 1463.0 | 1 | 1 | 0 | 1 | 16@(71.5)x1 |
| 6100 | J837-FC-HAL74C | (餘料)17 | 1459.0 | 2 | 1 | 0 | 1 | 17@(3154)x1 |
| 6100 | J837-FC-HAL38C | 17 | 1459.0 | | 1 | 1 | 0 | 17@(4617)x1 |
| 6100 | J837-FC-HAL28C | (餘料)17 | 1458.0 | 1 | 1 | 0 | 1 | 17@(1692)x1 |



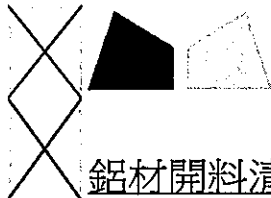
鋁材開料清單 X85616-百葉底框

| 鋁料長度 | 窗號 | 編號(用料狀況) | 實用長度(長料開數) | 需要支數 | 開料支數 | 長料支數 | 餘料支數 | 編號(剩餘長度) |
|------|--------------------------------|-----------|------------|------|------|------|------|------------------------------|
| 6100 | J837-FC-HAL26C | (餘料)17 | 1457.0 | 2 | 1 | 0 | 1 | 17@(231)x1 |
| 6100 | J837-FC-HAL26C | 18 | 1457.0 | | 1 | 1 | 0 | 18@(4619)x1 |
| 6100 | J837-FC-HAL57C | (餘料)1 | 1424.0 | 1 | 1 | 0 | 1 | 1@(1.8)x1 |
| 6100 | J837-FC-HAL1C | (餘料)18 | 1420.5 | 13 | 3 | 0 | 1 | 18@(345.5)x1 |
| 6100 | J837-FC-HAL1C | 19-21 | 1420.5 | | 10 | 3 | 0 | 19-20@(382)x2 21@(3231)x1 |
| 6100 | J837-FC-HAL3C | (餘料)21 | 1418.5 | 1 | 1 | 0 | 1 | 21@(1808.5)x1 |
| 6100 | J837-FC-HAL50C | (餘料)21 | 1417.0 | 15 | 1 | 0 | 1 | 21@(387.5)x1 |
| 6100 | J837-FC-HAL50C | 22-25 | 1417.0 | | 14 | 4 | 0 | 22-24@(396)x3 25@(3238)x1 |
| 6100 | J837-FC-HAL85C | (餘料)25 | 1411.0 | 6 | 2 | 0 | 1 | 25@(408)x1 |
| 6100 | J837-FC-HAL85C | 26 | 1411.0 | | 4 | 1 | 0 | 26@(420)x1 |
| 6100 | J837-FC-HAL43C | 27 | 1405.0 | 1 | 1 | 1 | 0 | 27@(4671)x1 |
| 6100 | J837-FC-HAL31C | (餘料)9, 27 | 1382.0 | 12 | 4 | 0 | 2 | 9@(2.5)x1 27@(513)x1 |
| 6100 | J837-FC-HAL31C | 28-29 | 1382.0 | | 8 | 2 | 0 | 28-29@(536)x2 |
| 6100 | J837-FC-HAL33C | 30 | 1373.0 | 1 | 1 | 1 | 0 | 30@(4703)x1 |
| 6100 | J837-FC-HAL70C | (餘料)30 | 1362.0 | 1 | 1 | 0 | 1 | 30@(3337)x1 |
| 6100 | J837-FC-HAL17C | (餘料)30 | 1360.5 | 7 | 2 | 0 | 1 | 30@(608)x1 |
| 6100 | J837-FC-HAL17C | 31-32 | 1360.5 | | 5 | 2 | 0 | 31@(622)x1 32@(4715.5)x1 |
| 6100 | J837-FC-HAL16C | (餘料)32 | 1340.5 | 1 | 1 | 0 | 1 | 32@(3371)x1 |
| 6100 | J837-FC-HAL18C | (餘料)32 | 1339.5 | 1 | 1 | 0 | 1 | 32@(2027.5)x1 |
| 6100 | J837-FC-HAL7C | (餘料)32 | 1338.5 | 2 | 1 | 0 | 1 | 32@(685)x1 |
| 6100 | J837-FC-HAL7C | 33 | 1338.5 | | 1 | 1 | 0 | 33@(4737.5)x1 |
| 6100 | J837-FC-HAL61C | (餘料)8, 33 | 1331.0 | 2 | 2 | 0 | 2 | 8@(4)x1 33@(3402.5)x1 |
| 6100 | J837-FC-HAL8C | (餘料)33 | 1317.5 | 1 | 1 | 0 | 1 | 33@(2081)x1 |
| 6100 | J837-FC-HAL58C | (餘料)33 | 1308.0 | 1 | 1 | 0 | 1 | 33@(769)x1 |
| 6100 | J837-FC-HAL62C | 34 | 1285.0 | 1 | 1 | 1 | 0 | 34@(4791)x1 |
| 6100 | J837-FC-HAL52C | (餘料)34 | 1269.0 | 3 | 3 | 0 | 1 | 34@(972)x1 |
| 6100 | J837-FC-HAL68C | (餘料)7 | 1261.0 | 1 | 1 | 0 | 1 | 7@(1.5)x1 |
| 6100 | J837-FC-HAL63C | 35 | 1247.0 | 1 | 1 | 1 | 0 | 35@(4829)x1 |
| 6100 | J837-FC-HAL29C | (餘料)35 | 1242.0 | 1 | 1 | 0 | 1 | 35@(3583)x1 |
| 6100 | J837-FC-HAL67C | (餘料)35 | 1228.0 | 1 | 1 | 0 | 1 | 35@(2351)x1 |
| 6100 | J837-FC-HAL75C | (餘料)35 | 1223.0 | 1 | 1 | 0 | 1 | 35@(1124)x1 |
| 6100 | J837-FC-HAL30C | 36 | 1217.0 | 2 | 2 | 1 | 0 | 36@(3638)x1 |
| 6100 | J837-FC-HAL78C | (餘料)36 | 1212.0 | 1 | 1 | 0 | 1 | 36@(2422)x1 |
| 6100 | J837-FC-HAL66C | (餘料)36 | 1211.0 | 1 | 1 | 0 | 1 | 36@(1207)x1 |
| 6100 | J837-FC-HAL25C, J837-FC-HAL81C | (餘料)36-37 | 1167.0 | 4 | 3 | 0 | 2 | 36@(36)x1 37@(2567)x1 |
| 6100 | J837-FC-HAL25C | 37 | 1167.0 | | 1 | 1 | 0 | 37@(4909)x1 |
| 6100 | J837-FC-HAL82C | (餘料)37 | 1164.0 | 2 | 2 | 0 | 1 | 37@(231)x1 |
| 6100 | J837-FC-HAL77C | 38 | 1152.0 | 1 | 1 | 1 | 0 | 38@(4924)x1 |
| 6100 | J837-FC-HAL80C | (餘料)6, 35 | 1114.0 | 2 | 2 | 0 | 2 | 6@(.8)x1 35@(6)x1 |
| 6100 | J837-FC-HAL86C | 1 | 225.7 | 1 | 1 | 1 | 0 | 1@(5850.3)x1 |



鋁材開料清單 X85617-百葉頂框

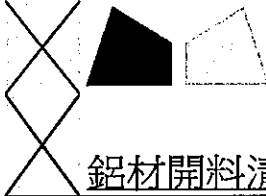
| 鋁料長度 | 窗號 | 編號(用料狀況) | 實用長度(長料開數) | 需要支數 | 開料支數 | 長料支數 | 餘料支數 | 編號(剩餘長度) |
|------|--------------------------------|------------|------------|------|------|------|------|----------------------------|
| 6100 | J837-FC-HAL34B | (餘料)1 | 2290.0 | 1 | 1 | 0 | 1 | 1@(3556.3)x1 |
| 6100 | J837-FC-HAL12B | (餘料)1 | 2122.5 | 1 | 1 | 0 | 1 | 1@(1429.8)x1 |
| 6100 | J837-FC-HAL4B | 2 | 2029.5 | 1 | 1 | 1 | 0 | 2@(4046.5)x1 |
| 6100 | J837-FC-HAL72B | (餘料)2 | 1991.0 | 1 | 1 | 0 | 1 | 2@(2051.5)x1 |
| 6100 | J837-FC-HAL49B | (餘料)2 | 1980.0 | 1 | 1 | 0 | 1 | 2@(67.5)x1 |
| 6100 | J837-FB-HAL56B | 3 | 1941.3 | 1 | 1 | 1 | 0 | 3@(4134.7)x1 |
| 6100 | J837-FC-HAL51B | (餘料)3 | 1820.0 | 1 | 1 | 0 | 1 | 3@(2310.7)x1 |
| 6100 | J837-FC-HAL69B | (餘料)3 | 1754.0 | 2 | 1 | 0 | 1 | 3@(552.7)x1 |
| 6100 | J837-FC-HAL69B | 4 | 1754.0 | | 1 | 1 | 0 | 4@(4322)x1 |
| 6100 | J837-FC-HAL83B | (餘料)4 | 1737.0 | 1 | 1 | 0 | 1 | 4@(2581)x1 |
| 6100 | J837-FC-HAL24B | (餘料)4 | 1730.0 | 1 | 1 | 0 | 1 | 4@(847)x1 |
| 6100 | J837-FC-HAL44B | 5 | 1721.0 | 1 | 1 | 1 | 0 | 5@(4355)x1 |
| 6100 | J837-FC-HAL42B | (餘料)5 | 1704.0 | 1 | 1 | 0 | 1 | 5@(2647)x1 |
| 6100 | J837-FB-HAL40B | (餘料)5 | 1685.7 | 1 | 1 | 0 | 1 | 5@(957.3)x1 |
| 6100 | J837-FB-HAL65B | 6 | 1673.2 | 1 | 1 | 1 | 0 | 6@(4402.8)x1 |
| 6100 | J837-FC-HAL27B | (餘料)6 | 1643.0 | 1 | 1 | 0 | 1 | 6@(2755.8)x1 |
| 6100 | J837-FC-HAL45B | (餘料)6 | 1633.0 | 1 | 1 | 0 | 1 | 6@(1118.8)x1 |
| 6100 | J837-FC-HAL64B | 7 | 1627.0 | 1 | 1 | 1 | 0 | 7@(4449)x1 |
| 6100 | J837-FC-HAL13B | (餘料)7 | 1589.5 | 1 | 1 | 0 | 1 | 7@(2855.5)x1 |
| 6100 | J837-FC-HAL48B | (餘料)7 | 1585.0 | 2 | 1 | 0 | 1 | 7@(1266.5)x1 |
| 6100 | J837-FC-HAL48B | 8 | 1585.0 | | 1 | 1 | 0 | 8@(4491)x1 |
| 6100 | J837-FC-HAL59B | (餘料)8 | 1577.0 | 1 | 1 | 0 | 1 | 8@(2910)x1 |
| 6100 | J837-FC-HAL37B | (餘料)8 | 1567.0 | 2 | 1 | 0 | 1 | 8@(1339)x1 |
| 6100 | J837-FC-HAL37B | 9 | 1567.0 | | 1 | 1 | 0 | 9@(4509)x1 |
| 6100 | J837-FC-HAL60B | (餘料)9 | 1565.0 | 1 | 1 | 0 | 1 | 9@(2940)x1 |
| 6100 | J837-FC-HAL14B | (餘料)9 | 1547.5 | 1 | 1 | 0 | 1 | 9@(1388.5)x1 |
| 6100 | J837-FC-HAL46B | 10 | 1524.0 | 3 | 3 | 1 | 0 | 10@(1496)x1 |
| 6100 | J837-FC-HAL15B | 11 | 1523.5 | 2 | 2 | 1 | 0 | 11@(3025)x1 |
| 6100 | J837-FC-HAL6B | (餘料)11 | 1522.5 | 2 | 1 | 0 | 1 | 11@(1498.5)x1 |
| 6100 | J837-FC-HAL6B | 12 | 1522.5 | | 1 | 1 | 0 | 12@(4553.5)x1 |
| 6100 | J837-FB-HAL54B | (餘料)12 | 1522.0 | 1 | 1 | 0 | 1 | 12@(3027.5)x1 |
| 6100 | J837-FC-HAL19B | (餘料)12 | 1521.5 | 1 | 1 | 0 | 1 | 12@(1502)x1 |
| 6100 | J837-FC-HAL39B | (餘料)13 | 1520.0 | 5 | 2 | 0 | 1 | 13@(1508)x1 |
| 6100 | J837-FC-HAL35B, J837-FC-HAL39B | 13-14 | 1520.0 | | 3 | 2 | 0 | 13@(4556)x1 14@(3032)x1 |
| 6100 | J837-FC-HAL21B | (餘料)14 | 1517.5 | 1 | 1 | 0 | 1 | 14@(1510.5)x1 |
| 6100 | J837-FC-HAL41B | (餘料)15 | 1515.0 | 2 | 1 | 0 | 1 | 15@(3042)x1 |
| 6100 | J837-FB-HAL84B | 15 | 1515.0 | | 1 | 1 | 0 | 15@(4561)x1 |
| 6100 | J837-FC-HAL9B | (餘料)15 | 1513.5 | 1 | 1 | 0 | 1 | 15@(1524.5)x1 |
| 6100 | J837-FC-HAL22B | (餘料)15 | 1512.5 | 1 | 1 | 0 | 1 | 15@(8)x1 |
| 6100 | J837-FC-HAL5B | 16 | 1510.5 | 2 | 2 | 1 | 0 | 16@(3051)x1 |
| 6100 | J837-FC-HAL10B | (餘料)16 | 1508.5 | 1 | 1 | 0 | 1 | 16@(1538.5)x1 |
| 6100 | J837-FC-HAL53B | (餘料)13 | 1500.0 | 1 | 1 | 0 | 1 | 13@(4)x1 |
| 6100 | J837-FC-HAL20B | (餘料)12 | 1495.5 | 1 | 1 | 0 | 1 | 12@(2.5)x1 |
| 6100 | J837-FC-HAL11B | (餘料)11, 14 | 1494.5 | 2 | 2 | 0 | 2 | 11@(0)x1 14@(12)x1 |
| 6100 | J837-FC-HAL36B | (餘料)10 | 1479.0 | 1 | 1 | 0 | 1 | 10@(13)x1 |
| 6100 | J837-FC-HAL47B | (餘料)16 | 1463.0 | 1 | 1 | 0 | 1 | 16@(71.5)x1 |
| 6100 | J837-FC-HAL74B | (餘料)17 | 1459.0 | 2 | 1 | 0 | 1 | 17@(3154)x1 |
| 6100 | J837-FC-HAL38B | 17 | 1459.0 | | 1 | 1 | 0 | 17@(4617)x1 |
| 6100 | J837-FC-HAL28B | (餘料)17 | 1458.0 | 1 | 1 | 0 | 1 | 17@(1692)x1 |



| 鋁料 長度 | 窗號 | 編號(用料狀況) | 實用長度(長料開數) | 需要 支數 | 開料 支數 | 長料 支數 | 餘料 支數 | 編號(剩餘長度) |
|----------|--------------------------------|-----------|------------|----------|----------|----------|----------|------------------------------|
| 6100 | J837-FC-HAL26B | (餘料)17 | 1457.0 | 2 | 1 | 0 | 1 | 17@(231)x1 |
| 6100 | J837-FC-HAL26B | 18 | 1457.0 | | 1 | 1 | 0 | 18@(4619)x1 |
| 6100 | J837-FC-HAL57B | (餘料)1 | 1424.0 | 1 | 1 | 0 | 1 | 1@(1.8)x1 |
| 6100 | J837-FC-HAL1B | (餘料)18 | 1420.5 | 13 | 3 | 0 | 1 | 18@(345.5)x1 |
| 6100 | J837-FC-HAL1B | 19-21 | 1420.5 | | 10 | 3 | 0 | 19-20@(382)x2 21@(3231)x1 |
| 6100 | J837-FC-HAL3B | (餘料)21 | 1418.5 | 1 | 1 | 0 | 1 | 21@(1808.5)x1 |
| 6100 | J837-FC-HAL50B | (餘料)21 | 1417.0 | 15 | 1 | 0 | 1 | 21@(387.5)x1 |
| 6100 | J837-FC-HAL50B | 22-25 | 1417.0 | | 14 | 4 | 0 | 22-24@(396)x3 25@(3238)x1 |
| 6100 | J837-FC-HAL85B | (餘料)25 | 1411.0 | 6 | 2 | 0 | 1 | 25@(408)x1 |
| 6100 | J837-FC-HAL85B | 26 | 1411.0 | | 4 | 1 | 0 | 26@(420)x1 |
| 6100 | J837-FC-HAL43B | 27 | 1405.0 | 1 | 1 | 1 | 0 | 27@(4671)x1 |
| 6100 | J837-FC-HAL31B | (餘料)9, 27 | 1382.0 | 12 | 4 | 0 | 2 | 9@(2.5)x1 27@(513)x1 |
| 6100 | J837-FC-HAL31B | 28-29 | 1382.0 | | 8 | 2 | 0 | 28-29@(536)x2 |
| 6100 | J837-FC-HAL33B | 30 | 1373.0 | 1 | 1 | 1 | 0 | 30@(4703)x1 |
| 6100 | J837-FC-HAL70B | (餘料)30 | 1362.0 | 1 | 1 | 0 | 1 | 30@(3337)x1 |
| 6100 | J837-FC-HAL17B | (餘料)30 | 1360.5 | 7 | 2 | 0 | 1 | 30@(608)x1 |
| 6100 | J837-FC-HAL17B | 31-32 | 1360.5 | | 5 | 2 | 0 | 31@(622)x1 32@(4715.5)x1 |
| 6100 | J837-FC-HAL16B | (餘料)32 | 1340.5 | 1 | 1 | 0 | 1 | 32@(3371)x1 |
| 6100 | J837-FC-HAL18B | (餘料)32 | 1339.5 | 1 | 1 | 0 | 1 | 32@(2027.5)x1 |
| 6100 | J837-FC-HAL7B | (餘料)32 | 1338.5 | 2 | 1 | 0 | 1 | 32@(685)x1 |
| 6100 | J837-FC-HAL7B | 33 | 1338.5 | | 1 | 1 | 0 | 33@(4737.5)x1 |
| 6100 | J837-FC-HAL61B | (餘料)8, 33 | 1331.0 | 2 | 2 | 0 | 2 | 8@(4)x1 33@(3402.5)x1 |
| 6100 | J837-FC-HAL8B | (餘料)33 | 1317.5 | 1 | 1 | 0 | 1 | 33@(2081)x1 |
| 6100 | J837-FC-HAL58B | (餘料)33 | 1308.0 | 1 | 1 | 0 | 1 | 33@(769)x1 |
| 6100 | J837-FC-HAL62B | 34 | 1285.0 | 1 | 1 | 1 | 0 | 34@(4791)x1 |
| 6100 | J837-FC-HAL52B | (餘料)34 | 1269.0 | 3 | 3 | 0 | 1 | 34@(972)x1 |
| 6100 | J837-FC-HAL68B | (餘料)7 | 1261.0 | 1 | 1 | 0 | 1 | 7@(1.5)x1 |
| 6100 | J837-FC-HAL63B | 35 | 1247.0 | 1 | 1 | 1 | 0 | 35@(4829)x1 |
| 6100 | J837-FC-HAL29B | (餘料)35 | 1242.0 | 1 | 1 | 0 | 1 | 35@(3583)x1 |
| 6100 | J837-FC-HAL67B | (餘料)35 | 1228.0 | 1 | 1 | 0 | 1 | 35@(2351)x1 |
| 6100 | J837-FC-HAL75B | (餘料)35 | 1223.0 | 1 | 1 | 0 | 1 | 35@(1124)x1 |
| 6100 | J837-FC-HAL30B | 36 | 1217.0 | 2 | 2 | 1 | 0 | 36@(3638)x1 |
| 6100 | J837-FC-HAL78B | (餘料)36 | 1212.0 | 1 | 1 | 0 | 1 | 36@(2422)x1 |
| 6100 | J837-FC-HAL66B | (餘料)36 | 1211.0 | 1 | 1 | 0 | 1 | 36@(1207)x1 |
| 6100 | J837-FC-HAL25B, J837-FC-HAL81B | (餘料)36-37 | 1167.0 | 4 | 3 | 0 | 2 | 36@(36)x1 37@(2567)x1 |
| 6100 | J837-FC-HAL25B | 37 | 1167.0 | | 1 | 1 | 0 | 37@(4909)x1 |
| 6100 | J837-FC-HAL82B | (餘料)37 | 1164.0 | 2 | 2 | 0 | 1 | 37@(231)x1 |
| 6100 | J837-FC-HAL77B | 38 | 1152.0 | 1 | 1 | 1 | 0 | 38@(4924)x1 |
| 6100 | J837-FC-HAL80B | (餘料)6, 35 | 1114.0 | 2 | 2 | 0 | 2 | 6@(.8)x1 35@(6)x1 |
| 6100 | J837-FC-HAL86B | 1 | 225.7 | 1 | 1 | 1 | 0 | 1@(5850.3)x1 |

鋁材開料清單 45x45x5mm鋁角

| 鋁料 長度 | 窗號 | 編號(用料狀況) | 實用長度(長料開數) | 需要 支數 | 開料 支數 | 長料 支數 | 餘料 支數 | 編號(剩餘長度) |
|----------|-------------|----------|------------|----------|----------|----------|----------|-----------|
| 5800 | J837-FC-A03 | 1 | 50.0 | 96 | 96 | 1 | 0 | 1@(596)x1 |



美特鋁質有限公司
MIDI ALUMINIUM FABRICATOR LTD

工程號碼: J-833, 工程名稱: 白石-屋仔

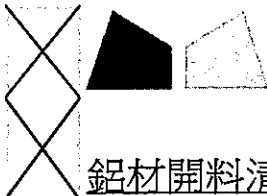
開料長度: 5800, 總長料支數: 3, 總開料支數: 341

鋸片厚度(mm): 4, 料頭尾總切除(mm): 20, 浪費率(%): 5.59

鋁材開料清單 PEOE10021-鋁角

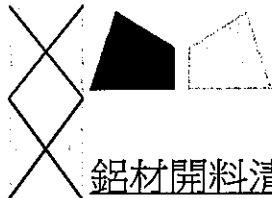
| 鋁料 長度 | 窗號 | 編號(用料狀況) | 實用長度(長料開數) | 需要 支數 | 開料 支數 | 長料 支數 | 餘料 支數 | 編號(剩餘長度) |
|----------|--------------------------|------------|------------|----------|----------|----------|----------|--------------------------------------|
| 5800 | J837-FC-A02, J837-FC-A01 | (餘料)3, 1-3 | 44.0 | 341 | 341 | 3 | 1 | 3@(932)x1 1-2@(20)x2 3@(980)x1 |

制表者: _____



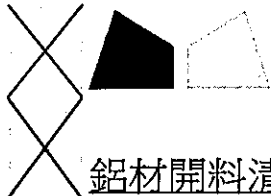
鋁材開料清單 X85618-百葉片

| 鋁料 長度 | 窗號 | 編號(用料狀況) | 實用長度(長料開數) | 需要 支數 | 開料 支數 | 長料 支數 | 餘料 支數 | 編號(剩餘長度) |
|----------|----------------|--------------|------------|----------|----------|----------|----------|---|
| 6100 | J837-FC-HAL34G | (餘料)1 | 2284.0 | 14 | 1 | 0 | 1 | 1@(667.2)x1 |
| 6100 | J837-FC-HAL34G | 2-8 | 2284.0 | | 13 | 7 | 0 | 2-7@(1504)x6 8@(3792)x1 |
| 6100 | J837-FC-HAL12G | (餘料)8 | 2116.5 | 14 | 1 | 0 | 1 | 8@(1671.5)x1 |
| 6100 | J837-FC-HAL12G | 9-15 | 2116.5 | | 13 | 7 | 0 | 9-14@(1839)x6 15@(3959.5)x1 |
| 6100 | J837-FC-HAL4G | (餘料)15 | 2023.5 | 14 | 1 | 0 | 1 | 15@(1932)x1 |
| 6100 | J837-FC-HAL4G | 16-22 | 2023.5 | | 13 | 7 | 0 | 16-21@(2025)x6 22@(4052.5)x1 |
| 6100 | J837-FC-HAL72G | (餘料)16-22 | 1985.0 | 14 | 8 | 0 | 7 | 16-21@(36)x6 22@(74.5)x1 |
| 6100 | J837-FC-HAL72G | 23-24 | 1985.0 | | 6 | 2 | 0 | 23-24@(113)x2 |
| 6100 | J837-FC-HAL49G | 25-29 | 1974.0 | 14 | 14 | 5 | 0 | 25-28@(146)x4 29@(2124)x1 |
| 6100 | J837-FC-HAL56G | (餘料)29 | 1935.3 | 14 | 1 | 0 | 1 | 29@(184.7)x1 |
| 6100 | J837-FC-HAL56G | 30-34 | 1935.3 | | 13 | 5 | 0 | 30-33@(262.1)x4 34@(4140.7)x1 |
| 6100 | J837-FC-HAL51G | (餘料)9-15, 34 | 1814.0 | 14 | 9 | 0 | 8 | 9-14@(21)x6 15@(114)x1 34@(504.7)x1 |
| 6100 | J837-FC-HAL51G | 35-36 | 1814.0 | | 5 | 2 | 0 | 35@(626)x1 36@(2444)x1 |
| 6100 | J837-FC-HAL69G | (餘料)36 | 1748.0 | 28 | 1 | 0 | 1 | 36@(692)x1 |
| 6100 | J837-FC-HAL69G | 37-45 | 1748.0 | | 27 | 9 | 0 | 37-45@(824)x9 |
| 6100 | J837-FC-HAL83G | 46-50 | 1734.0 | 14 | 14 | 5 | 0 | 46-49@(866)x4 50@(2604)x1 |
| 6100 | J837-FG-HAL24G | (餘料)50 | 1724.0 | 14 | 1 | 0 | 1 | 50@(876)x1 |
| 6100 | J837-FG-HAL24G | 51-55 | 1724.0 | | 13 | 5 | 0 | 51-54@(896)x4 55@(4352)x1 |
| 6100 | J837-FC-HAL44G | (餘料)55 | 1715.0 | 14 | 2 | 0 | 1 | 55@(914)x1 |
| 6100 | J837-FC-HAL44G | 56-59 | 1715.0 | | 12 | 4 | 0 | 56-59@(923)x4 |
| 6100 | J837-FC-HAL42G | 60-64 | 1698.0 | 14 | 14 | 5 | 0 | 60-63@(974)x4 64@(2676)x1 |
| 6100 | J837-FC-HAL40G | (餘料)64 | 1679.7 | 14 | 1 | 0 | 1 | 64@(992.3)x1 |
| 6100 | J837-FC-HAL40G | 65-69 | 1679.7 | | 13 | 5 | 0 | 65-68@(1028.9)x4 69@(4396.3)x1 |
| 6100 | J837-FC-HAL65G | (餘料)8, 69 | 1667.2 | 14 | 3 | 0 | 2 | 8@(.3)x1 69@(1053.9)x1 |
| 6100 | J837-FC-HAL65G | 70-73 | 1667.2 | | 11 | 4 | 0 | 70-72@(1066.4)x3 73@(2737.6)x1 |
| 6100 | J837-FG-HAL27G | (餘料)73 | 1637.0 | 14 | 1 | 0 | 1 | 73@(1096.6)x1 |
| 6100 | J837-FG-HAL27G | 74-78 | 1637.0 | | 13 | 5 | 0 | 74-77@(1157)x4 78@(4439)x1 |
| 6100 | J837-FC-HAL45G | (餘料)78 | 1627.0 | 14 | 2 | 0 | 1 | 78@(1177)x1 |
| 6100 | J837-FC-HAL45G | 79-82 | 1627.0 | | 12 | 4 | 0 | 79-82@(1187)x4 |
| 6100 | J837-FC-HAL64G | 83-87 | 1621.0 | 14 | 14 | 5 | 0 | 83-86@(1205)x4 87@(2830)x1 |
| 6100 | J837-FC-HAL13G | (餘料)87 | 1583.5 | 14 | 1 | 0 | 1 | 87@(1242.5)x1 |
| 6100 | J837-FC-HAL13G | 88-92 | 1583.5 | | 13 | 5 | 0 | 88-91@(1317.5)x4 92@(4492.5)x1 |
| 6100 | J837-FC-HAL48G | (餘料)92 | 1579.0 | 28 | 2 | 0 | 1 | 92@(1326.5)x1 |
| 6100 | J837-FC-HAL48G | 93-101 | 1579.0 | | 26 | 9 | 0 | 93-100@(1331)x8 101@(2914)x1 |
| 6100 | J837-FC-HAL59G | (餘料)101 | 1571.0 | 14 | 1 | 0 | 1 | 101@(1339)x1 |
| 6100 | J837-FC-HAL59G | 102-106 | 1571.0 | | 13 | 5 | 0 | 102-105@(1355)x4 106@(4505)x1 |



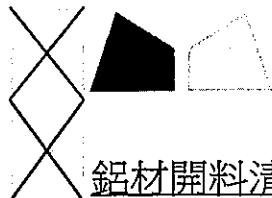
鋁材開料清單 X85618-百葉片

| 鋁料長度 | 窗號 | 編號(用料狀況) | 實用長度(長料開數) | 需要支數 | 開料支數 | 長料支數 | 餘料支數 | 編號(剩餘長度) |
|------|--------------------------------|------------------|------------|------|------|------|------|--|
| 6100 | J837-FC-HAL37G | (餘料)106 | 1561.0 | 28 | 2 | 0 | 1 | 106@(1375)x1 |
| 6100 | J837-FC-HAL37G | 107-115 | 1561.0 | | 26 | 9 | 0 | 107-114@(1385)x8 115@(2950)x1 |
| 6100 | J837-FC-HAL60G | (餘料)115 | 1559.0 | 14 | 1 | 0 | 1 | 115@(1387)x1 |
| 6100 | J837-FC-HAL60G | 116-120 | 1559.0 | | 13 | 5 | 0 | 116-119@(1391)x4 120@(4517)x1 |
| 6100 | J837-FC-HAL14G | (餘料)120 | 1541.5 | 14 | 2 | 0 | 1 | 120@(1426)x1 |
| 6100 | J837-FC-HAL14G | 121-124 | 1541.5 | | 12 | 4 | 0 | 121-124@(1443.5)x4 |
| 6100 | J837-FC-HAL46G | 125-138 | 1518.0 | 42 | 42 | 14 | 0 | 125-138@(1514)x14 |
| 6100 | J837-FC-HAL15G | 139-148 | 1517.5 | 28 | 28 | 10 | 0 | 139-147@(1515.5)x9 148@(4558.5)x1 |
| 6100 | J837-FC-HAL6G | (餘料)148 | 1516.5 | 28 | 2 | 0 | 1 | 148@(1517.5)x1 |
| 6100 | J837-FC-HAL6G | 149-157 | 1516.5 | | 26 | 9 | 0 | 149-156@(1518.5)x8 157@(3039)x1 |
| 6100 | J837-FC-HAL54G | (餘料)157 | 1516.0 | 14 | 1 | 0 | 1 | 157@(1519)x1 |
| 6100 | J837-FC-HAL54G | 158-161 | 1516.0 | | 13 | 4 | 0 | 158-160@(0)x3 161@(4560)x1 |
| 6100 | J837-FC-HAL19G | (餘料)161 | 1515.5 | 14 | 3 | 0 | 1 | 161@(1.5)x1 |
| 6100 | J837-FC-HAL19G | 162-164 | 1515.5 | | 11 | 3 | 0 | 162-163@(2)x2 164@(1521.5)x1 |
| 6100 | J837-FC-HAL35G | (餘料)149-157, 164 | 1514.0 | 70 | 10 | 0 | 10 | 149-156@(.5)x8 157@(1)x1 164@(3.5)x1 |
| 6100 | J837-FC-HAL35G, J837-FC-HAL39G | 165-179 | 1514.0 | | 60 | 15 | 0 | 165-179@(8)x15 |
| 6100 | J837-FC-HAL21G | (餘料)139-148 | 1511.5 | 14 | 10 | 0 | 10 | 139-147@(0)x9 148@(2)x1 |
| 6100 | J837-FC-HAL21G | 180 | 1511.5 | | 4 | 1 | 0 | 180@(18)x1 |
| 6100 | J837-FC-HAL41G | (餘料)125-138 | 1509.0 | 28 | 14 | 0 | 14 | 125-138@(1)x14 |
| 6100 | J837-FC-HAL84G | 181-184 | 1509.0 | | 14 | 4 | 0 | 181-183@(28)x3 184@(3054)x1 |
| 6100 | J837-FC-HAL9G | (餘料)184 | 1507.5 | 14 | 2 | 0 | 1 | 184@(31)x1 |
| 6100 | J837-FC-HAL9G | 185-187 | 1507.5 | | 12 | 3 | 0 | 185-187@(34)x3 |
| 6100 | J837-FC-HAL22G | 188-191 | 1506.5 | 14 | 14 | 4 | 0 | 188-190@(38)x3 191@(3059)x1 |
| 6100 | J837-FC-HAL5G | (餘料)191 | 1504.5 | 28 | 2 | 0 | 1 | 191@(42)x1 |
| 6100 | J837-FC-HAL5G | 192-198 | 1504.5 | | 26 | 7 | 0 | 192-197@(46)x6 198@(3063)x1 |
| 6100 | J837-FC-HAL10G | (餘料)198 | 1502.5 | 14 | 2 | 0 | 1 | 198@(50)x1 |
| 6100 | J837-FC-HAL10G | 199-201 | 1502.5 | | 12 | 3 | 0 | 199-201@(54)x3 |
| 6100 | J837-FC-HAL53G | (餘料)2-7 | 1494.0 | 14 | 6 | 0 | 6 | 2-7@(6)x6 |
| 6100 | J837-FC-HAL53G | 202-203 | 1494.0 | | 8 | 2 | 0 | 202-203@(88)x2 |
| 6100 | J837-FC-HAL20G | 204-207 | 1489.5 | 14 | 14 | 4 | 0 | 204-206@(106)x3 207@(3093)x1 |
| 6100 | J837-FC-HAL11G | (餘料)207 | 1488.5 | 28 | 2 | 0 | 1 | 207@(108)x1 |
| 6100 | J837-FC-HAL11G | 208-214 | 1488.5 | | 26 | 7 | 0 | 208-213@(110)x6 214@(3095)x1 |
| 6100 | J837-FC-HAL36G | (餘料)214 | 1473.0 | 14 | 2 | 0 | 1 | 214@(141)x1 |
| 6100 | J837-FC-HAL36G | 215-217 | 1473.0 | | 12 | 3 | 0 | 215-217@(172)x3 |
| 6100 | J837-FC-HAL47G | 218-221 | 1457.0 | 14 | 14 | 4 | 0 | 218-220@(236)x3 221@(3158)x1 |
| 6100 | J837-FC-HAL38G | (餘料)221 | 1453.0 | 28 | 2 | 0 | 1 | 221@(244)x1 |
| 6100 | J837-FC-HAL38G, J837-FG-HAL74G | 222-228 | 1453.0 | | 26 | 7 | 0 | 222-227@(252)x6 228@(3166)x1 |
| 6100 | J837-FG-HAL28G | (餘料)228 | 1452.0 | 14 | 2 | 0 | 1 | 228@(254)x1 |



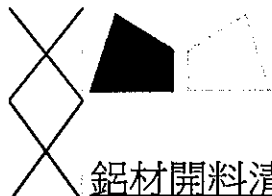
鋁材開料清單 X85618-百葉片

| 鋁料 長度 | 窗號 | 編號(用料狀況) | 實用長度(長料開數) | 需要 支數 | 開料 支數 | 長料 支數 | 餘料 支數 | 編號(剩餘長度) |
|----------|----------------|------------------|------------|----------|----------|----------|----------|---|
| 6100 | J837-FG-HAL28G | 229-231 | 1452.0 | | 12 | 3 | 0 | 229-231@(256)x3 |
| 6100 | J837-FG-HAL26G | 232-238 | 1451.0 | 28 | 28 | 7 | 0 | 232-238@(260)x7 |
| 6100 | J837-FC-HAL57G | (餘料)120-124 | 1418.0 | 14 | 5 | 0 | 5 | 120@(4)x1 121-124@(21.5)x4 |
| 6100 | J837-FC-HAL57G | 239-241 | 1418.0 | | 9 | 3 | 0 | 239-240@(392)x2 241@(4658)x1 |
| 6100 | J837-FC-HAL1G | (餘料)241 | 1414.5 | 182 | 3 | 0 | 1 | 241@(402.5)x1 |
| 6100 | J837-FC-HAL1G | 242-286 | 1414.5 | | 179 | 45 | 0 | 242-285@(406)x44 286@(1824.5)x1 |
| 6100 | J837-FC-HAL3G | (餘料)286 | 1412.5 | 14 | 1 | 0 | 1 | 286@(408)x1 |
| 6100 | J837-FC-HAL3G | 287-290 | 1412.5 | | 13 | 4 | 0 | 287-289@(414)x3 290@(4663.5)x1 |
| 6100 | J837-FC-HAL50G | (餘料)290 | 1411.0 | 210 | 3 | 0 | 1 | 290@(418.5)x1 |
| 6100 | J837-FC-HAL50G | 291-342 | 1411.0 | | 207 | 52 | 0 | 291-341@(420)x51 342@(1835)x1 |
| 6100 | J837-FC-HAL85G | (餘料)342 | 1405.0 | 84 | 1 | 0 | 1 | 342@(426)x1 |
| 6100 | J837-FC-HAL85G | 343-363 | 1405.0 | | 83 | 21 | 0 | 343-362@(444)x20 363@(1853)x1 |
| 6100 | J837-FC-HAL43G | (餘料)363 | 1399.0 | 14 | 1 | 0 | 1 | 363@(450)x1 |
| 6100 | J837-FC-HAL43G | 364-367 | 1399.0 | | 13 | 4 | 0 | 364-366@(468)x3 367@(4677)x1 |
| 6100 | J837-FG-HAL31G | (餘料)107-119, 367 | 1376.0 | 168 | 16 | 0 | 14 | 107-114@(5)x8 115@(7)x1 116-119@(11)x4 367@(537)x1 |
| 6100 | J837-FG-HAL31G | 368-405 | 1376.0 | | 152 | 38 | 0 | 368-405@(560)x38 |
| 6100 | J837-FC-HAL33G | (餘料)106 | 1367.0 | 14 | 1 | 0 | 1 | 106@(4)x1 |
| 6100 | J837-FC-HAL33G | 406-409 | 1367.0 | | 13 | 4 | 0 | 406-408@(596)x3 409@(4709)x1 |
| 6100 | J837-FC-HAL70G | (餘料)409 | 1356.0 | 14 | 3 | 0 | 1 | 409@(629)x1 |
| 6100 | J837-FC-HAL70G | 410-412 | 1356.0 | | 11 | 3 | 0 | 410-411@(640)x2 412@(2000)x1 |
| 6100 | J837-FC-HAL17G | (餘料)412 | 1354.5 | 98 | 1 | 0 | 1 | 412@(641.5)x1 |
| 6100 | J837-FC-HAL17G | 413-437 | 1354.5 | | 97 | 25 | 0 | 413-436@(646)x24 437@(4721.5)x1 |
| 6100 | J837-FC-HAL16G | (餘料)101-105, 437 | 1334.5 | 14 | 8 | 0 | 6 | 101@(.5)x1 102-105@(16.5)x4 437@(706)x1 |
| 6100 | J837-FC-HAL16G | 438-439 | 1334.5 | | 6 | 2 | 0 | 438@(726)x1 439@(3403)x1 |
| 6100 | J837-FC-HAL18G | (餘料)439 | 1333.5 | 14 | 2 | 0 | 1 | 439@(728)x1 |
| 6100 | J837-FC-HAL18G | 440-442 | 1333.5 | | 12 | 3 | 0 | 440-442@(730)x3 |
| 6100 | J837-FC-HAL7G | 443-449 | 1332.5 | 28 | 28 | 7 | 0 | 443-449@(734)x7 |
| 6100 | J837-FC-HAL61G | (餘料)93-100 | 1325.0 | 28 | 8 | 0 | 8 | 93-100@(2)x8 |
| 6100 | J837-FC-HAL61G | 450-454 | 1325.0 | | 20 | 5 | 0 | 450-454@(764)x5 |
| 6100 | J837-FC-HAL8G | (餘料)88-92 | 1311.5 | 14 | 5 | 0 | 5 | 88-91@(2)x4 92@(11)x1 |
| 6100 | J837-FC-HAL8G | 455-457 | 1311.5 | | 9 | 3 | 0 | 455-456@(818)x2 457@(4764.5)x1 |
| 6100 | J837-FC-HAL58G | (餘料)457 | 1302.0 | 14 | 3 | 0 | 1 | 457@(846.5)x1 |
| 6100 | J837-FC-HAL58G | 458-460 | 1302.0 | | 11 | 3 | 0 | 458-459@(856)x2 460@(2162)x1 |
| 6100 | J837-FC-HAL62G | (餘料)460 | 1279.0 | 14 | 1 | 0 | 1 | 460@(879)x1 |
| 6100 | J837-FC-HAL62G | 461-464 | 1279.0 | | 13 | 4 | 0 | 461-463@(948)x3 464@(4797)x1 |
| 6100 | J837-FC-HAL52G | (餘料)464 | 1263.0 | 42 | 3 | 0 | 1 | 464@(996)x1 |



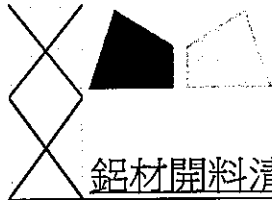
鋁材開料清單 X85618-百葉片

| 鋁料 長度 | 窗號 | 編號(用料狀況) | 實用長度(長料開數) | 需要 支數 | 開料 支數 | 長料 支數 | 餘料 支數 | 編號(剩餘長度) |
|----------|--------------------------------|------------------------------|------------|----------|----------|----------|----------|---|
| 6100 | J837-FC-HAL52G | 465-474 | 1263.0 | | 39 | 10 | 0 | 465-473@(1012)x9 474@(2279)x1 |
| 6100 | J837-FC-HAL68G | (餘料)474 | 1255.0 | 14 | 1 | 0 | 1 | 474@(1020)x1 |
| 6100 | J837-FC-HAL68G | 475-478 | 1255.0 | | 13 | 4 | 0 | 475-477@(1044)x3 478@(4821)x1 |
| 6100 | J837-FC-HAL63G | (餘料)478 | 1241.0 | 14 | 3 | 0 | 1 | 478@(1086)x1 |
| 6100 | J837-FC-HAL63G | 479-481 | 1241.0 | | 11 | 3 | 0 | 479-480@(1100)x2 481@(2345)x1 |
| 6100 | J837-FG-HAL29G | (餘料)87, 481 | 1236.0 | 14 | 2 | 0 | 2 | 87@(2.5)x1 481@(1105)x1 |
| 6100 | J837-FG-HAL29G | 482-484 | 1236.0 | | 12 | 3 | 0 | 482-484@(1120)x3 |
| 6100 | J837-FC-HAL67G | 485-488 | 1222.0 | 14 | 14 | 4 | 0 | 485-487@(1176)x3 488@(3628)x1 |
| 6100 | J837-FG-HAL75G | (餘料)488 | 1217.0 | 14 | 2 | 0 | 1 | 488@(1186)x1 |
| 6100 | J837-FG-HAL75G | 489-491 | 1217.0 | | 12 | 3 | 0 | 489-491@(1196)x3 |
| 6100 | J837-FG-HAL30G | 492-497 | 1211.0 | 28 | 28 | 6 | 0 | 492-496@(5)x5 497@(2435)x1 |
| 6100 | J837-FG-HAL78G | (餘料)497 | 1206.0 | 14 | 2 | 0 | 1 | 497@(15)x1 |
| 6100 | J837-FG-HAL78G | 498-500 | 1206.0 | | 12 | 3 | 0 | 498-499@(30)x2 500@(3660)x1 |
| 6100 | J837-FC-HAL66G | (餘料)500 | 1205.0 | 14 | 3 | 0 | 1 | 500@(33)x1 |
| 6100 | J837-FC-HAL66G | 501-503 | 1205.0 | | 11 | 3 | 0 | 501-502@(35)x2 503@(4871)x1 |
| 6100 | J837-FG-HAL25G, J837-FG-HAL81G | (餘料)78-86, 485-491, 503, 505 | 1161.0 | 56 | 22 | 0 | 18 | 78@(12)x1 79-82@(22)x4 83-86@(40)x4 485-487@(11)x3 488@(21)x1 489-491@(31)x3 503@(211)x1 505@(255)x1 |
| 6100 | J837-FG-HAL25G, J837-FG-HAL81G | 504-511 | 1161.0 | | 34 | 8 | 0 | 504@(255)x1 505@(2585)x1 506-510@(255)x5 511@(4915)x1 |
| 6100 | J837-FG-HAL82G | (餘料)511 | 1158.0 | 28 | 4 | 0 | 1 | 511@(267)x1 |
| 6100 | J837-FG-HAL82G | 512-516 | 1158.0 | | 24 | 5 | 0 | 512-515@(270)x4 516@(1432)x1 |
| 6100 | J837-FG-HAL77G | (餘料)74-77, 516 | 1146.0 | 14 | 5 | 0 | 5 | 74-77@(7)x4 516@(282)x1 |
| 6100 | J837-FG-HAL77G | 517-518 | 1146.0 | | 9 | 2 | 0 | 517@(330)x1 518@(1480)x1 |
| 6100 | J837-FG-HAL80G | (餘料)482-484, 518 | 1108.0 | 28 | 4 | 0 | 4 | 482-484@(8)x3 518@(368)x1 |
| 6100 | J837-FG-HAL80G | 519-523 | 1108.0 | | 24 | 5 | 0 | 519-522@(520)x4 523@(1632)x1 |
| 6100 | J837-FC-HAL86G | 1 | 219.2 | 14 | 14 | 1 | 0 | 1@(2955.2)x1 |



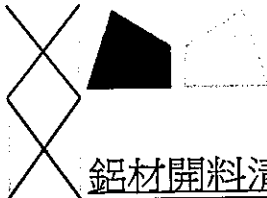
鋁材開料清單 PT0001060-鋁通

| 鋁料 長度 | 窗號 | 編號(用料狀況) | 實用長度(長料開數) | 需要 支數 | 開料 支數 | 長料 支數 | 餘料 支數 | 編號(剩餘長度) |
|----------|----------------|-----------|------------|----------|----------|----------|----------|---------------------------------|
| 5000 | J837-FC-HAL51F | 1 | 1745.6 | 1 | 1 | 1 | 0 | 1@(3230.4)x1 |
| 5000 | J837-FC-HAL83F | (餘料)1 | 1658.6 | 1 | 1 | 0 | 1 | 1@(1567.8)x1 |
| 5000 | J837-FC-HAL54F | (餘料)1 | 1447.6 | 1 | 1 | 0 | 1 | 1@(116.2)x1 |
| 5000 | J837-FC-HAL1F | 2-6 | 1346.2 | 13 | 13 | 5 | 0 | 2-5@(929.4)x4 6@(3629.8)x1 |
| 5000 | J837-FC-HAL3F | (餘料)6 | 1344.2 | 1 | 1 | 0 | 1 | 6@(2281.6)x1 |
| 5000 | J837-FC-HAL50F | (餘料)6 | 1336.6 | 15 | 1 | 0 | 1 | 6@(941)x1 |
| 5000 | J837-FC-HAL50F | 7-11 | 1336.6 | | 14 | 5 | 0 | 7-10@(958.2)x4 11@(2298.8)x1 |
| 5000 | J837-FC-HAL52F | (餘料)11 | 1194.6 | 3 | 1 | 0 | 1 | 11@(1100.2)x1 |
| 5000 | J837-FC-HAL52F | 12 | 1194.6 | | 2 | 1 | 0 | 12@(2582.8)x1 |
| 5000 | J837-FC-HAL78F | (餘料)12 | 1133.6 | 1 | 1 | 0 | 1 | 12@(1445.2)x1 |
| 5000 | J837-FC-HAL81F | (餘料)11-12 | 1088.6 | 2 | 2 | 0 | 2 | 11@(7.6)x1 12@(352.6)x1 |
| 5000 | J837-FC-HAL82F | 13 | 1085.6 | 2 | 2 | 1 | 0 | 13@(2800.8)x1 |
| 5000 | J837-FC-HAL77F | (餘料)13 | 1073.6 | 1 | 1 | 0 | 1 | 13@(1723.2)x1 |
| 5000 | J837-FC-HAL80F | (餘料)13 | 1035.6 | 2 | 1 | 0 | 1 | 13@(683.6)x1 |
| 5000 | J837-FC-HAL80F | 14 | 1035.6 | | 1 | 1 | 0 | 14@(3940.4)x1 |



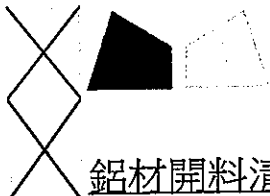
鋁材開料清單 PE00E3465-鋁巴

| 鋁料長度 | 窗號 | 編號(用料狀況) | 實用長度(長料開數) | 需要支數 | 開料支數 | 長料支數 | 餘料支數 | 編號(剩餘長度) |
|------|--|--------------|------------|------|------|------|------|--|
| 6100 | J837-FE-HAL34E | (餘料)1 | 2278.0 | 2 | 1 | 0 | 1 | 1@(1516)x1 |
| 6100 | J837-FD-HAL34D | 1 | 2278.0 | | 1 | 1 | 0 | 1@(3798)x1 |
| 6100 | J837-FE-HAL12E | (餘料)2 | 2111.0 | 2 | 1 | 0 | 1 | 2@(1850)x1 |
| 6100 | J837-FD-HAL12D | 2 | 2111.0 | | 1 | 1 | 0 | 2@(3965)x1 |
| 6100 | J837-FE-HAL4E | (餘料)3 | 2018.0 | 2 | 1 | 0 | 1 | 3@(2036)x1 |
| 6100 | J837-FD-HAL4D | 3 | 2018.0 | | 1 | 1 | 0 | 3@(4058)x1 |
| 6100 | J837-FD-HAL72D | (餘料)3 | 1979.0 | 2 | 1 | 0 | 1 | 3@(53)x1 |
| 6100 | J837-FE-HAL72E | 4 | 1979.0 | | 1 | 1 | 0 | 4@(4097)x1 |
| 6100 | J837-FD-HAL49D, J837-FE-HAL49E | (餘料)4, 4 | 1968.0 | 2 | 2 | 0 | 2 | 4@(2125)x1 4@(153)x1 |
| 6100 | J837-FE-HAL56E | (餘料)5 | 1919.6 | 2 | 1 | 0 | 1 | 5@(2232.8)x1 |
| 6100 | J837-FD-HAL56D | 5 | 1919.6 | | 1 | 1 | 0 | 5@(4156.4)x1 |
| 6100 | J837-FD-HAL51D, J837-FE-HAL51E | (餘料)2, 5 | 1808.0 | 2 | 2 | 0 | 2 | 2@(38)x1 5@(420.8)x1 |
| 6100 | J837-FE-HAL69E | (餘料)6 | 1742.0 | 4 | 1 | 0 | 1 | 6@(842)x1 |
| 6100 | J837-FD-HAL69D, J837-FE-HAL69E | 6-7 | 1742.0 | | 3 | 2 | 0 | 6@(2588)x1 7@(4334)x1 |
| 6100 | J837-FE-HAL83E | (餘料)7 | 1737.0 | 1 | 1 | 0 | 1 | 7@(2593)x1 |
| 6100 | J837-FD-HAL83D | (餘料)7 | 1727.0 | 1 | 1 | 0 | 1 | 7@(862)x1 |
| 6100 | J837-FD-HAL24D | 8 | 1720.0 | 1 | 1 | 1 | 0 | 8@(4356)x1 |
| 6100 | J837-FE-HAL24E | (餘料)8 | 1717.0 | 1 | 1 | 0 | 1 | 8@(2635)x1 |
| 6100 | J837-FD-HAL44D | (餘料)8 | 1709.0 | 2 | 1 | 0 | 1 | 8@(922)x1 |
| 6100 | J837-FE-HAL44E | 9 | 1709.0 | | 1 | 1 | 0 | 9@(4367)x1 |
| 6100 | J837-FD-HAL42D, J837-FE-HAL42E | (餘料)9, 9 | 1692.0 | 2 | 2 | 0 | 2 | 9@(2671)x1 9@(975)x1 |
| 6100 | J837-FE-HAL40E | (餘料)10 | 1669.0 | 2 | 1 | 0 | 1 | 10@(2734)x1 |
| 6100 | J837-FD-HAL40D | 10 | 1669.0 | | 1 | 1 | 0 | 10@(4407)x1 |
| 6100 | J837-FD-HAL65D | (餘料)10 | 1659.0 | 2 | 1 | 0 | 1 | 10@(1071)x1 |
| 6100 | J837-FE-HAL65E | 11 | 1659.0 | | 1 | 1 | 0 | 11@(4417)x1 |
| 6100 | J837-FD-HAL27D | (餘料)11 | 1633.0 | 1 | 1 | 0 | 1 | 11@(2780)x1 |
| 6100 | J837-FE-HAL27E | (餘料)11 | 1630.0 | 1 | 1 | 0 | 1 | 11@(1146)x1 |
| 6100 | J837-FE-HAL45E | (餘料)12 | 1621.0 | 2 | 1 | 0 | 1 | 12@(2830)x1 |
| 6100 | J837-FD-HAL45D | 12 | 1621.0 | | 1 | 1 | 0 | 12@(4455)x1 |
| 6100 | J837-FD-HAL64D | (餘料)12 | 1615.0 | 2 | 1 | 0 | 1 | 12@(1211)x1 |
| 6100 | J837-FE-HAL64E | 13 | 1615.0 | | 1 | 1 | 0 | 13@(4461)x1 |
| 6100 | J837-FD-HAL13D, J837-FE-HAL13E | (餘料)13, 13 | 1578.0 | 2 | 2 | 0 | 2 | 13@(2879)x1 13@(1297)x1 |
| 6100 | J837-FE-HAL48E | (餘料)14 | 1573.0 | 4 | 1 | 0 | 1 | 14@(1349)x1 |
| 6100 | J837-FD-HAL48D, J837-FE-HAL48E | 14-15 | 1573.0 | | 3 | 2 | 0 | 14@(2926)x1 15@(4503)x1 |
| 6100 | J837-FD-HAL59D, J837-FE-HAL59E | (餘料)15, 15 | 1565.0 | 2 | 2 | 0 | 2 | 15@(2934)x1 15@(1365)x1 |
| 6100 | J837-FE-HAL37E | (餘料)16 | 1555.0 | 4 | 1 | 0 | 1 | 16@(1403)x1 |
| 6100 | J837-FD-HAL37D, J837-FE-HAL37E | 16-17 | 1555.0 | | 3 | 2 | 0 | 16@(2962)x1 17@(4521)x1 |
| 6100 | J837-FD-HAL60D, J837-FE-HAL60E | (餘料)17, 17 | 1553.0 | 2 | 2 | 0 | 2 | 17@(2964)x1 17@(1407)x1 |
| 6100 | J837-FE-HAL14E | (餘料)18 | 1536.0 | 2 | 1 | 0 | 1 | 18@(3000)x1 |
| 6100 | J837-FD-HAL14D | 18 | 1536.0 | | 1 | 1 | 0 | 18@(4540)x1 |
| 6100 | J837-FD-HAL15D, J837-FE-HAL15E, J837-FE-HAL46E | (餘料)1, 18-20 | 1512.0 | 10 | 6 | 0 | 4 | 1@(0)x1 18@(1484)x1 19-20@(16)x2 |
| 6100 | J837-FD-HAL46D, J837-FE-HAL15E | 19-20 | 1512.0 | | 4 | 2 | 0 | 19@(1532)x1 20@(4564)x1 |



鋁材開料清單 PE00E3465-鋁巴

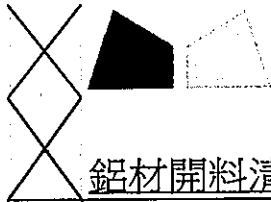
| 鋁料長度 | 窗號 | 編號(用料狀況) | 實用長度(長料開數) | 需要支數 | 開料支數 | 長料支數 | 餘料支數 | 編號(剩餘長度) |
|------|--|----------------|------------|------|------|------|------|--|
| 6100 | J837-FE-HAL6E | (餘料)21 | 1511.0 | 4 | 2 | 0 | 1 | 21@(20)x1 |
| 6100 | J837-FD-HAL6D | 21 | 1511.0 | | 2 | 1 | 0 | 21@(3050)x1 |
| 6100 | J837-FD-HAL54D, J837-FE-HAL19E, J837-FE-HAL54E | (餘料)22, 22, 22 | 1510.0 | 4 | 3 | 0 | 3 | 22@(3052)x1 22@(1538)x1 22@(24)x1 |
| 6100 | J837-FD-HAL19D | 22 | 1510.0 | | 1 | 1 | 0 | 22@(4566)x1 |
| 6100 | J837-FD-HAL39D, J837-FE-HAL35E, J837-FE-HAL39E | (餘料)23-24, 24 | 1508.0 | 10 | 6 | 0 | 3 | 23@(32)x1 24@(3056)x1 24@(32)x1 |
| 6100 | J837-FD-HAL35D, J837-FD-HAL39D, J837-FE-HAL39E | 23-25 | 1508.0 | | 4 | 3 | 0 | 23-24@(4568)x2 25@(3056)x1 |
| 6100 | J837-FD-HAL21D, J837-FE-HAL21E | (餘料)25, 25 | 1506.0 | 2 | 2 | 0 | 2 | 25@(1546)x1 25@(36)x1 |
| 6100 | J837-FE-HAL84E | (餘料)26 | 1504.6 | 2 | 1 | 0 | 1 | 26@(3062.8)x1 |
| 6100 | J837-FD-HAL84D | 26 | 1504.6 | | 1 | 1 | 0 | 26@(4571.4)x1 |
| 6100 | J837-FD-HAL41D, J837-FE-HAL41E | (餘料)26, 26 | 1503.0 | 2 | 2 | 0 | 2 | 26@(1555.8)x1 26@(48.8)x1 |
| 6100 | J837-FE-HAL9E | (餘料)27 | 1502.0 | 2 | 1 | 0 | 1 | 27@(3068)x1 |
| 6100 | J837-FD-HAL9D | 27 | 1502.0 | | 1 | 1 | 0 | 27@(4574)x1 |
| 6100 | J837-FD-HAL22D, J837-FE-HAL22E | (餘料)27, 27 | 1501.0 | 2 | 2 | 0 | 2 | 27@(1563)x1 27@(58)x1 |
| 6100 | J837-FE-HAL5E | (餘料)28 | 1499.0 | 4 | 2 | 0 | 1 | 28@(68)x1 |
| 6100 | J837-FD-HAL5D | 28 | 1499.0 | | 2 | 1 | 0 | 28@(3074)x1 |
| 6100 | J837-FE-HAL10E | (餘料)29 | 1497.0 | 2 | 1 | 0 | 1 | 29@(3078)x1 |
| 6100 | J837-FD-HAL10D | 29 | 1497.0 | | 1 | 1 | 0 | 29@(4579)x1 |
| 6100 | J837-FD-HAL53D, J837-FE-HAL53E | (餘料)29, 29 | 1488.0 | 2 | 2 | 0 | 2 | 29@(1586)x1 29@(94)x1 |
| 6100 | J837-FE-HAL20E | (餘料)30 | 1484.0 | 2 | 1 | 0 | 1 | 30@(3104)x1 |
| 6100 | J837-FD-HAL20D | 30 | 1484.0 | | 1 | 1 | 0 | 30@(4592)x1 |
| 6100 | J837-FD-HAL11D | (餘料)30 | 1483.0 | 4 | 2 | 0 | 1 | 30@(130)x1 |
| 6100 | J837-FE-HAL11E | 31 | 1483.0 | | 2 | 1 | 0 | 31@(3106)x1 |
| 6100 | J837-FD-HAL36D, J837-FE-HAL36E | (餘料)18, 31 | 1467.0 | 2 | 2 | 0 | 2 | 18@(13)x1 31@(1635)x1 |
| 6100 | J837-FE-HAL74E | (餘料)31 | 1459.0 | 1 | 1 | 0 | 1 | 31@(172)x1 |
| 6100 | J837-FE-HAL47E | (餘料)32 | 1451.0 | 2 | 1 | 0 | 1 | 32@(3170)x1 |
| 6100 | J837-FD-HAL47D | 32 | 1451.0 | | 1 | 1 | 0 | 32@(4625)x1 |
| 6100 | J837-FD-HAL74D | (餘料)32 | 1449.0 | 1 | 1 | 0 | 1 | 32@(1717)x1 |
| 6100 | J837-FD-HAL28D | (餘料)32 | 1448.0 | 1 | 1 | 0 | 1 | 32@(265)x1 |
| 6100 | J837-FD-HAL38D, J837-FE-HAL38E | (餘料)33, 33 | 1447.0 | 4 | 2 | 0 | 2 | 33@(1727)x1 33@(276)x1 |
| 6100 | J837-FD-HAL26D | 33 | 1447.0 | | 2 | 1 | 0 | 33@(3178)x1 |
| 6100 | J837-FE-HAL28E | 34 | 1445.0 | 1 | 1 | 1 | 0 | 34@(4631)x1 |
| 6100 | J837-FE-HAL26E | (餘料)34 | 1444.0 | 2 | 2 | 0 | 1 | 34@(1735)x1 |
| 6100 | J837-FD-HAL57D | (餘料)34 | 1412.0 | 2 | 1 | 0 | 1 | 34@(319)x1 |
| 6100 | J837-FE-HAL57E | 35 | 1412.0 | | 1 | 1 | 0 | 35@(4664)x1 |
| 6100 | J837-FD-HAL1D, J837-FE-HAL1E | (餘料)35, 38 | 1409.0 | 26 | 5 | 0 | 2 | 35@(425)x1 38@(428)x1 |
| 6100 | J837-FD-HAL1D, J837-FE-HAL1E | 36-41 | 1409.0 | | 21 | 6 | 0 | 36-37@(428)x2 38@(3254)x1 39-40@(428)x2 41@(1841)x1 |
| 6100 | J837-FD-HAL3D | (餘料)41 | 1407.0 | 2 | 1 | 0 | 1 | 41@(430)x1 |
| 6100 | J837-FE-HAL3E | 42 | 1407.0 | | 1 | 1 | 0 | 42@(4669)x1 |



鋁材開料清單 PE00E3465-鋁巴

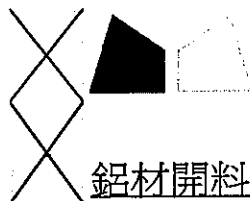
鋸片厚度(mm): 4, 料頭尾總切除(mm): 20, 浪費率(%): 6.73

| 鋁料長度 | 窗號 | 編號(用料狀況) | 實用長度(長料開數) | 需要支數 | 開料支數 | 長料支數 | 餘料支數 | 編號(剩餘長度) |
|------|--------------------------------|------------------|------------|------|------|------|------|--|
| 6100 | J837-FD-HAL50D | (餘料)42 | 1405.0 | 30 | 3 | 0 | 1 | 42@(442)x1 |
| 6100 | J837-FD-HAL50D, J837-FE-HAL50E | 43-49 | 1405.0 | | 27 | 7 | 0 | 43-48@(444)x6 49@(1853)x1 |
| 6100 | J837-FD-HAL85D, J837-FE-HAL85E | (餘料)16-17, 49-50 | 1399.0 | 12 | 4 | 0 | 4 | 16@(0)x1 17@(4)x1 49@(450)x1 50@(468)x1 |
| 6100 | J837-FD-HAL85D, J837-FE-HAL85E | 50-52 | 1399.0 | | 8 | 3 | 0 | 50@(1871)x1 51@(468)x1 52@(4677)x1 |
| 6100 | J837-FD-HAL43D, J837-FE-HAL43E | (餘料)52, 52 | 1393.0 | 2 | 2 | 0 | 2 | 52@(3280)x1 52@(1883)x1 |
| 6100 | J837-FD-HAL31D | (餘料)52 | 1372.0 | 12 | 1 | 0 | 1 | 52@(507)x1 |
| 6100 | J837-FD-HAL31D | 53-55 | 1372.0 | | 11 | 3 | 0 | 53-54@(576)x2 55@(1952)x1 |
| 6100 | J837-FE-HAL31E | (餘料)55 | 1369.0 | 12 | 1 | 0 | 1 | 55@(579)x1 |
| 6100 | J837-FE-HAL31E | 56-58 | 1369.0 | | 11 | 3 | 0 | 56-57@(588)x2 58@(1961)x1 |
| 6100 | J837-FD-HAL33D, J837-FE-HAL33E | (餘料)15, 58 | 1361.0 | 2 | 2 | 0 | 2 | 15@(0)x1 58@(596)x1 |
| 6100 | J837-FE-HAL70E | (餘料)59 | 1350.0 | 2 | 1 | 0 | 1 | 59@(3372)x1 |
| 6100 | J837-FD-HAL70D | 59 | 1350.0 | | 1 | 1 | 0 | 59@(4726)x1 |
| 6100 | J837-FD-HAL17D, J837-FE-HAL17E | (餘料)59, 61 | 1349.0 | 14 | 5 | 0 | 2 | 59@(666)x1 61@(668)x1 |
| 6100 | J837-FD-HAL17D, J837-FE-HAL17E | 60-62 | 1349.0 | | 9 | 3 | 0 | 60@(668)x1 61@(4727)x1 62@(668)x1 |
| 6100 | J837-FD-HAL16D | (餘料)14 | 1329.0 | 2 | 1 | 0 | 1 | 14@(16)x1 |
| 6100 | J837-FE-HAL16E | 63 | 1329.0 | | 1 | 1 | 0 | 63@(4747)x1 |
| 6100 | J837-FD-HAL18D, J837-FE-HAL18E | (餘料)63, 63 | 1328.0 | 2 | 2 | 0 | 2 | 63@(3415)x1 63@(2083)x1 |
| 6100 | J837-FD-HAL7D, J837-FE-HAL7E | (餘料)63-64 | 1327.0 | 4 | 3 | 0 | 2 | 63@(752)x1 64@(2087)x1 |
| 6100 | J837-FD-HAL7D | 64 | 1327.0 | | 1 | 1 | 0 | 64@(4749)x1 |
| 6100 | J837-FD-HAL61D, J837-FE-HAL61E | (餘料)64-65 | 1319.0 | 4 | 3 | 0 | 2 | 64@(764)x1 65@(2111)x1 |
| 6100 | J837-FD-HAL61D | 65 | 1319.0 | | 1 | 1 | 0 | 65@(4757)x1 |
| 6100 | J837-FD-HAL8D | (餘料)65 | 1306.0 | 2 | 1 | 0 | 1 | 65@(801)x1 |
| 6100 | J837-FE-HAL8E | 66 | 1306.0 | | 1 | 1 | 0 | 66@(4770)x1 |
| 6100 | J837-FD-HAL58D, J837-FE-HAL58E | (餘料)66, 66 | 1296.0 | 2 | 2 | 0 | 2 | 66@(3470)x1 66@(2170)x1 |
| 6100 | J837-FD-HAL62D, J837-FE-HAL62E | (餘料)13, 66 | 1273.0 | 2 | 2 | 0 | 2 | 13@(20)x1 66@(893)x1 |
| 6100 | J837-FE-HAL52E | (餘料)67 | 1257.0 | 6 | 1 | 0 | 1 | 67@(1036)x1 |
| 6100 | J837-FD-HAL52D, J837-FE-HAL52E | 67-68 | 1257.0 | | 5 | 2 | 0 | 67@(2297)x1 68@(3558)x1 |
| 6100 | J837-FD-HAL68D, J837-FE-HAL68E | (餘料)68, 68 | 1249.0 | 2 | 2 | 0 | 2 | 68@(2305)x1 68@(1052)x1 |
| 6100 | J837-FE-HAL63E | (餘料)69 | 1235.0 | 2 | 1 | 0 | 1 | 69@(3602)x1 |
| 6100 | J837-FD-HAL63D | 69 | 1235.0 | | 1 | 1 | 0 | 69@(4841)x1 |
| 6100 | J837-FD-HAL29D | (餘料)69 | 1232.0 | 1 | 1 | 0 | 1 | 69@(2366)x1 |
| 6100 | J837-FE-HAL29E | (餘料)69 | 1229.0 | 1 | 1 | 0 | 1 | 69@(1133)x1 |
| 6100 | J837-FE-HAL75E | 70 | 1223.0 | 1 | 1 | 1 | 0 | 70@(4853)x1 |
| 6100 | J837-FD-HAL67D, J837-FE-HAL67E | (餘料)70, 70 | 1216.0 | 2 | 2 | 0 | 2 | 70@(3633)x1 70@(2413)x1 |
| 6100 | J837-FD-HAL75D | (餘料)70 | 1213.0 | 1 | 1 | 0 | 1 | 70@(1196)x1 |



鋁材開料清單 PE00E3465-鋁巴

| 鋁料 長度 | 窗號 | 編號(用料狀況) | 實用長度(長料開數) | 需要 支數 | 開料 支數 | 長料 支數 | 餘料 支數 | 編號(剩餘長度) |
|----------|--------------------------------|------------|------------|----------|----------|----------|----------|---------------------------|
| 6100 | J837-FE-HAL78E | 71 | 1212.0 | 1 | 1 | 1 | 0 | 71@(4864)x1 |
| 6100 | J837-FD-HAL30D | (餘料)12, 71 | 1207.0 | 2 | 2 | 0 | 2 | 12@(0)x1 71@(3653)x1 |
| 6100 | J837-FE-HAL30E | (餘料)71 | 1204.0 | 2 | 2 | 0 | 1 | 71@(1237)x1 |
| 6100 | J837-FD-HAL78D | (餘料)71 | 1202.0 | 1 | 1 | 0 | 1 | 71@(31)x1 |
| 6100 | J837-FE-HAL66E | (餘料)72 | 1199.0 | 2 | 1 | 0 | 1 | 72@(3674)x1 |
| 6100 | J837-FD-HAL66D | 72 | 1199.0 | | 1 | 1 | 0 | 72@(4877)x1 |
| 6100 | J837-FE-HAL81E | (餘料)70, 72 | 1167.0 | 2 | 2 | 0 | 2 | 70@(25)x1 72@(2503)x1 |
| 6100 | J837-FE-HAL82E | (餘料)72 | 1164.0 | 2 | 2 | 0 | 1 | 72@(167)x1 |
| 6100 | J837-FD-HAL81D | (餘料)73 | 1157.0 | 4 | 2 | 0 | 1 | 73@(1436)x1 |
| 6100 | J837-FD-HAL25D | 73 | 1157.0 | | 2 | 1 | 0 | 73@(3758)x1 |
| 6100 | J837-FD-HAL82D, J837-FE-HAL25E | (餘料)73-74 | 1154.0 | 4 | 3 | 0 | 2 | 73@(278)x1 74@(2606)x1 |
| 6100 | J837-FD-HAL82D | 74 | 1154.0 | | 1 | 1 | 0 | 74@(4922)x1 |
| 6100 | J837-FE-HAL77E | (餘料)74 | 1152.0 | 1 | 1 | 0 | 1 | 74@(1450)x1 |
| 6100 | J837-FD-HAL77D | (餘料)11 | 1142.0 | 1 | 1 | 0 | 1 | 11@(0)x1 |
| 6100 | J837-FE-HAL80E | (餘料)69, 74 | 1114.0 | 2 | 2 | 0 | 2 | 69@(15)x1 74@(332)x1 |
| 6100 | J837-FD-HAL80D | 75 | 1104.0 | 2 | 2 | 1 | 0 | 75@(3864)x1 |
| 6100 | J837-FD-HAL86D, J837-FE-HAL86E | (餘料)5, 5 | 180.0 | 2 | 2 | 0 | 2 | 5@(236.8)x1 5@(52.8)x1 |



美特鋁質有限公司

MIDI ALUMINIUM FABRICATOR LTD

工程號碼: J-833, 工程名稱: 白石-屋仔

開料長度: 6100, 總長料支數: 38, 總開料支數: 148

鋸片厚度(mm): 4, 料頭尾總切除(mm): 20, 浪費率(%): 7.73

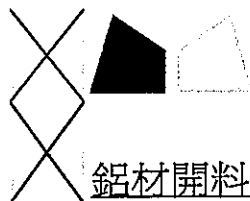
鋁材開料清單 PEOE10027-3

| 鋁料 長度 | 窗號 | 編號(用料狀況) | 實用長度(長料開數) | 需要 支數 | 開料 支數 | 長料 支數 | 餘料 支數 | 編號(剩餘長度) |
|----------|--------------------------------|------------|------------|----------|----------|----------|----------|------------------------------|
| 6100 | J837-FC-HAL34A | (餘料)1 | 2282.0 | 1 | 1 | 0 | 1 | 1@(3572.9)x1 |
| 6100 | J837-FC-HAL12A | (餘料)1 | 2114.5 | 1 | 1 | 0 | 1 | 1@(1454.4)x1 |
| 6100 | J837-FC-HAL4A | 2 | 2021.5 | 1 | 1 | 1 | 0 | 2@(4054.5)x1 |
| 6100 | J837-FC-HAL72A | (餘料)2 | 1983.0 | 1 | 1 | 0 | 1 | 2@(2067.5)x1 |
| 6100 | J837-FC-HAL49A | (餘料)2 | 1972.0 | 1 | 1 | 0 | 1 | 2@(91.5)x1 |
| 6100 | J837-FC-HAL56A | 3 | 1933.3 | 1 | 1 | 1 | 0 | 3@(4142.7)x1 |
| 6100 | J837-FC-HAL51A | (餘料)3 | 1812.0 | 1 | 1 | 0 | 1 | 3@(2326.7)x1 |
| 6100 | J837-FC-HAL69A | (餘料)3 | 1746.0 | 2 | 1 | 0 | 1 | 3@(576.7)x1 |
| 6100 | J837-FC-HAL69A | 4 | 1746.0 | | 1 | 1 | 0 | 4@(4330)x1 |
| 6100 | J837-FC-HAL83A | (餘料)4 | 1729.0 | 1 | 1 | 0 | 1 | 4@(2597)x1 |
| 6100 | J837-FC-HAL24A | (餘料)4 | 1722.0 | 1 | 1 | 0 | 1 | 4@(871)x1 |
| 6100 | J837-FC-HAL44A | 5 | 1713.0 | 1 | 1 | 1 | 0 | 5@(4363)x1 |
| 6100 | J837-FC-HAL42A | (餘料)5 | 1696.0 | 1 | 1 | 0 | 1 | 5@(2663)x1 |
| 6100 | J837-FC-HAL40A | (餘料)5 | 1677.7 | 1 | 1 | 0 | 1 | 5@(981.3)x1 |
| 6100 | J837-FC-HAL65A | 6 | 1665.2 | 1 | 1 | 1 | 0 | 6@(4410.8)x1 |
| 6100 | J837-FC-HAL27A | (餘料)6 | 1635.0 | 1 | 1 | 0 | 1 | 6@(2771.8)x1 |
| 6100 | J837-FC-HAL45A | (餘料)6 | 1625.0 | 1 | 1 | 0 | 1 | 6@(1142.8)x1 |
| 6100 | J837-FC-HAL64A | 7 | 1619.0 | 1 | 1 | 1 | 0 | 7@(4457)x1 |
| 6100 | J837-FC-HAL13A | (餘料)7 | 1581.5 | 1 | 1 | 0 | 1 | 7@(2871.5)x1 |
| 6100 | J837-FC-HAL48A | (餘料)7 | 1577.0 | 2 | 1 | 0 | 1 | 7@(1290.5)x1 |
| 6100 | J837-FC-HAL48A | 8 | 1577.0 | | 1 | 1 | 0 | 8@(4499)x1 |
| 6100 | J837-FC-HAL59A | (餘料)8 | 1569.0 | 1 | 1 | 0 | 1 | 8@(2926)x1 |
| 6100 | J837-FC-HAL37A | (餘料)8 | 1559.0 | 2 | 1 | 0 | 1 | 8@(1363)x1 |
| 6100 | J837-FC-HAL37A | 9 | 1559.0 | | 1 | 1 | 0 | 9@(4517)x1 |
| 6100 | J837-FC-HAL60A | (餘料)9 | 1557.0 | 1 | 1 | 0 | 1 | 9@(2956)x1 |
| 6100 | J837-FC-HAL14A | (餘料)9 | 1539.5 | 1 | 1 | 0 | 1 | 9@(1412.5)x1 |
| 6100 | J837-FC-HAL46A | 10 | 1516.0 | 3 | 3 | 1 | 0 | 10@(1520)x1 |
| 6100 | J837-FC-HAL15A | (餘料)10 | 1515.5 | 2 | 1 | 0 | 1 | 10@(.5)x1 |
| 6100 | J837-FC-HAL15A | 11 | 1515.5 | | 1 | 1 | 0 | 11@(4560.5)x1 |
| 6100 | J837-FC-HAL6A | (餘料)11 | 1514.5 | 2 | 2 | 0 | 1 | 11@(1523.5)x1 |
| 6100 | J837-FC-HAL54A | (餘料)11 | 1514.0 | 1 | 1 | 0 | 1 | 11@(5.5)x1 |
| 6100 | J837-FC-HAL19A | 12 | 1513.5 | 1 | 1 | 1 | 0 | 12@(4562.5)x1 |
| 6100 | J837-FC-HAL35A, J837-FC-HAL39A | (餘料)12, 12 | 1512.0 | 5 | 3 | 0 | 2 | 12@(3046.5)x1 12@(14.5)x1 |
| 6100 | J837-FC-HAL39A | 13 | 1512.0 | | 2 | 1 | 0 | 13@(3048)x1 |
| 6100 | J837-FC-HAL21A | (餘料)13 | 1509.5 | 1 | 1 | 0 | 1 | 13@(1534.5)x1 |
| 6100 | J837-FC-HAL41A | (餘料)13 | 1507.0 | 1 | 1 | 0 | 1 | 13@(23.5)x1 |
| 6100 | J837-FC-HAL84A | 14 | 1506.8 | 1 | 1 | 1 | 0 | 14@(4569.2)x1 |
| 6100 | J837-FC-HAL9A | (餘料)14 | 1505.5 | 1 | 1 | 0 | 1 | 14@(3059.7)x1 |
| 6100 | J837-FC-HAL22A | (餘料)14 | 1504.5 | 1 | 1 | 0 | 1 | 14@(1551.2)x1 |
| 6100 | J837-FC-HAL5A | (餘料)14 | 1502.5 | 2 | 1 | 0 | 1 | 14@(44.7)x1 |
| 6100 | J837-FC-HAL5A | 15 | 1502.5 | | 1 | 1 | 0 | 15@(4573.5)x1 |
| 6100 | J837-FC-HAL10A | (餘料)15 | 1500.5 | 1 | 1 | 0 | 1 | 15@(3069)x1 |
| 6100 | J837-FC-HAL53A | (餘料)15 | 1492.0 | 1 | 1 | 0 | 1 | 15@(1573)x1 |
| 6100 | J837-FC-HAL20A | (餘料)15 | 1487.5 | 1 | 1 | 0 | 1 | 15@(81.5)x1 |
| 6100 | J837-FC-HAL11A | 16 | 1486.5 | 2 | 2 | 1 | 0 | 16@(3099)x1 |
| 6100 | J837-FC-HAL36A | (餘料)16 | 1471.0 | 1 | 1 | 0 | 1 | 16@(1624)x1 |
| 6100 | J837-FC-HAL47A | (餘料)16 | 1455.0 | 1 | 1 | 0 | 1 | 16@(165)x1 |
| 6100 | J837-FC-HAL74A | (餘料)17 | 1451.0 | 2 | 1 | 0 | 1 | 17@(3170)x1 |
| 6100 | J837-FC-HAL38A | 17 | 1451.0 | | 1 | 1 | 0 | 17@(4625)x1 |
| 6100 | J837-FC-HAL28A | (餘料)1 | 1450.0 | 1 | 1 | 0 | 1 | 1@(.4)x1 |

鋁料編號: PEOE10027-鋁角(開料清單), 共25頁 第21頁

打印日期: 2019/5/10 打印時間: 9:56

制表者: _____



美特鋁質有限公司

MIDI ALUMINIUM FABRICATOR LTD

工程號碼: J-833, 工程名稱: 白石-屋仔

開料長度: 6100, 總長料支數: 38, 總開料支數: 148

鋸片厚度(mm): 4, 料頭尾總切除(mm): 20, 浪費率(%): 7.73

鋁材開料清單 PEOE10027-1

| 鋁料 長度 | 窗號 | 編號(用料狀況) | 實用長度(長料開數) | 需要 支數 | 開料 支數 | 長料 支數 | 餘料 支數 | 編號(剩餘長度) |
|----------|--------------------------------|-----------|------------|----------|----------|----------|----------|------------------------------|
| 6100 | J837-FC-HAL26A | (餘料)17 | 1449.0 | 2 | 2 | 0 | 1 | 17@(264)x1 |
| 6100 | J837-FC-HAL57A | 18 | 1416.0 | 1 | 1 | 1 | 0 | 18@(4660)x1 |
| 6100 | J837-FC-HAL1A | (餘料)18 | 1412.5 | 13 | 3 | 0 | 1 | 18@(410.5)x1 |
| 6100 | J837-FC-HAL1A | 19-21 | 1412.5 | | 10 | 3 | 0 | 19-20@(414)x2 21@(3247)x1 |
| 6100 | J837-FC-HAL3A | (餘料)21 | 1410.5 | 1 | 1 | 0 | 1 | 21@(1832.5)x1 |
| 6100 | J837-FC-HAL50A | (餘料)21 | 1409.0 | 15 | 1 | 0 | 1 | 21@(419.5)x1 |
| 6100 | J837-FC-HAL50A | 22-25 | 1409.0 | | 14 | 4 | 0 | 22-24@(428)x3 25@(3254)x1 |
| 6100 | J837-FC-HAL85A | (餘料)9, 25 | 1403.0 | 6 | 3 | 0 | 2 | 9@(5.5)x1 25@(440)x1 |
| 6100 | J837-FC-HAL85A | 26 | 1403.0 | | 3 | 1 | 0 | 26@(1859)x1 |
| 6100 | J837-FC-HAL43A | (餘料)26 | 1397.0 | 1 | 1 | 0 | 1 | 26@(458)x1 |
| 6100 | J837-FC-HAL31A | 27-29 | 1374.0 | 12 | 12 | 3 | 0 | 27-29@(568)x3 |
| 6100 | J837-FC-HAL33A | 30 | 1365.0 | 1 | 1 | 1 | 0 | 30@(4711)x1 |
| 6100 | J837-FC-HAL70A | (餘料)8 | 1354.0 | 1 | 1 | 0 | 1 | 8@(5)x1 |
| 6100 | J837-FC-HAL17A | (餘料)30 | 1352.5 | 7 | 3 | 0 | 1 | 30@(641.5)x1 |
| 6100 | J837-FC-HAL17A | 31 | 1352.5 | | 4 | 1 | 0 | 31@(654)x1 |
| 6100 | J837-FC-HAL16A | 32 | 1332.5 | 1 | 1 | 1 | 0 | 32@(4743.5)x1 |
| 6100 | J837-FC-HAL18A | (餘料)32 | 1331.5 | 1 | 1 | 0 | 1 | 32@(3408)x1 |
| 6100 | J837-FC-HAL7A | (餘料)32 | 1330.5 | 2 | 2 | 0 | 1 | 32@(739)x1 |
| 6100 | J837-FC-HAL61A | 33 | 1323.0 | 2 | 2 | 1 | 0 | 33@(3426)x1 |
| 6100 | J837-FC-HAL8A | (餘料)33 | 1309.5 | 1 | 1 | 0 | 1 | 33@(2112.5)x1 |
| 6100 | J837-FC-HAL58A | (餘料)33 | 1300.0 | 1 | 1 | 0 | 1 | 33@(808.5)x1 |
| 6100 | J837-FC-HAL62A | (餘料)7 | 1277.0 | 1 | 1 | 0 | 1 | 7@(9.5)x1 |
| 6100 | J837-FC-HAL52A | 34 | 1261.0 | 3 | 3 | 1 | 0 | 34@(2285)x1 |
| 6100 | J837-FC-HAL68A | (餘料)34 | 1253.0 | 1 | 1 | 0 | 1 | 34@(1028)x1 |
| 6100 | J837-FC-HAL63A | 35 | 1239.0 | 1 | 1 | 1 | 0 | 35@(4837)x1 |
| 6100 | J837-FC-HAL29A | (餘料)35 | 1234.0 | 1 | 1 | 0 | 1 | 35@(3599)x1 |
| 6100 | J837-FC-HAL67A | (餘料)35 | 1220.0 | 1 | 1 | 0 | 1 | 35@(2375)x1 |
| 6100 | J837-FC-HAL75A | (餘料)35 | 1215.0 | 1 | 1 | 0 | 1 | 35@(1156)x1 |
| 6100 | J837-FC-HAL30A | 36 | 1209.0 | 2 | 2 | 1 | 0 | 36@(3654)x1 |
| 6100 | J837-FC-HAL78A | (餘料)36 | 1204.0 | 1 | 1 | 0 | 1 | 36@(2446)x1 |
| 6100 | J837-FC-HAL66A | (餘料)36 | 1203.0 | 1 | 1 | 0 | 1 | 36@(1239)x1 |
| 6100 | J837-FC-HAL25A, J837-FC-HAL81A | (餘料)36-37 | 1159.0 | 4 | 3 | 0 | 2 | 36@(76)x1 37@(2591)x1 |
| 6100 | J837-FC-HAL25A | 37 | 1159.0 | | 1 | 1 | 0 | 37@(4917)x1 |
| 6100 | J837-FC-HAL82A | (餘料)37 | 1156.0 | 2 | 2 | 0 | 1 | 37@(271)x1 |
| 6100 | J837-FC-HAL77A | (餘料)35 | 1144.0 | 1 | 1 | 0 | 1 | 35@(8)x1 |
| 6100 | J837-FC-HAL80A | (餘料)6 | 1106.0 | 2 | 1 | 0 | 1 | 6@(32.8)x1 |
| 6100 | J837-FC-HAL80A | 38 | 1106.0 | | 1 | 1 | 0 | 38@(4970)x1 |
| 6100 | J837-FC-HAL86A | 1 | 217.1 | 1 | 1 | 1 | 0 | 1@(5858.9)x1 |

制表者: _____

鋁料編號: PEOE10027-鋁角(開料清單), 共25頁 第22頁

打印日期: 2019/5/10 打印時間: 9:56



美特鋁質有限公司
MIDI ALUMINIUM FABRICATOR LTD

工程號碼: J-833, 工程名稱: 白石-屋仔

開料長度: 5000, 總長料支數: 85, 總開料支數: 340

鋸片厚度(mm): 4, 料頭尾總切除(mm): 20, 浪費率(%): 3.56

鋁材開料清單 CA0000322-鋁角

| 鋁料 長度 | 窗號 | 編號(用料狀況) | 實用長度(長料開 數) | 需要 支數 | 開料 支數 | 長料 支數 | 餘料 支數 | 編號(剩餘長度) |
|----------|--|--------------|----------------|----------|----------|----------|----------|--|
| 5000 | J837-FC-VAL7, J837- FC-VAL6, J837-FC- VAL7 | (餘料)43, 1-85 | 1196.5 | 340 | 340 | 85 | 1 | 43@(178)x1 1-42@(178)x42 43@(2579)x1 44-85@(178)x42 |

制表者: _____



工程號碼: J-833, 工程名稱: 白石-屋仔

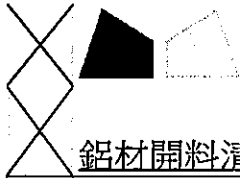
開料長度: 5000, 總長料支數: 42, 總開料支數: 165

鋸片厚度(mm): 4, 料頭尾總切除(mm): 20, 浪費率(%): 5.28

鋁材開料清單 X85661-鋁槽

| | 窗號 | 編號(用料狀況) | 實用長度(長料開數) | 需要 支數 | 開料 支數 | 長料 支數 | 餘料 支數 | 編號(剩餘長度) |
|------|----------------------------|----------|------------|----------|----------|----------|----------|--------------------------------|
| 5000 | J837-FC-VAL1, J837-FC-VAL2 | 1-42 | 1196.5 | 165 | 165 | 42 | 0 | 1-41@(178)x41 42@(3779.5)x1 |

制表者: _____



鋁材開料清單 PE00E3004-鋁通

| 鋁料 長度 | 窗號 | 編號(用料狀況) | 實用長度(長料開數) | 需要 支數 | 開料 支數 | 長料 支數 | 餘料 支數 | 編號(剩餘長度) |
|----------|--|-----------------|------------|----------|----------|----------|----------|---|
| 6000 | J837-FC-VAL4, J837-FC-VAL5, J837-FC-VAL3, J837-FC-VAL4 | (餘料)1, 12, 1-12 | 1330.0 | 48 | 48 | 12 | 2 | 1@(644)x1 12@(644)x1 1@(3312)x1 2-11@(644)x10 12@(1978)x1 |

J837-裝飾條百葉窗廠用配件申請表

| 序號 | 配件名稱 | 顏色 | 數量 | 單位 | 備注 |
|----|--------------|---------------|------|----|-----------------|
| 1 | M5x10平頭機絲 | SS #316 A4-70 | 1300 | 粒 | 修擋水鋁角組百叶框 |
| 2 | M6x15圓頭機絲 | SS #316 A4-70 | 380 | 粒 | 固定底橫 |
| 3 | #9*1' 圓頭鋼牙 | SS #316 A4-70 | 9600 | 粒 | 修百叶片 |
| 4 | 雀仔网 | | 238 | 米 | 1.1595米 (高) 雀仔网 |
| 5 | #8x3/8' 圓頭鋼牙 | SS #316 A4-70 | 2730 | 粒 | 修百葉背板 |
| | | | | | |
| | | | | | |
| | | | | | |
| | | | | | |

圖則登記表
DRAWING REGISTER

| | | | | | | | | | |
|-------------------------------|---|----|--|--|------------------|--|--|--|--|
| 接收日期 Receiving Date (適用於客戶圖則) | | | | | | | | | |
| 工程名稱 Project Title: 觀瀾 | 年 | | | | | | | | |
| | 月 | | | | | | | | |
| 工程編號 Project No: J-837 | 日 | | | | | | | | |
| 分發予 Distributed To | | | | | 發出日期 Issued Date | | | | |
| | 年 | 19 | | | | | | | |
| | 月 | 05 | | | | | | | |
| | 日 | 07 | | | | | | | |

| 圖則編號 Drg. No. | 圖則名稱 Drawing Title | 修訂編號 Revision No. | | | | | | | |
|------------------|-----------------------|----------------------|--|--|--|--|--|--|--|
| J837-FC-XCW1 | 裝飾條安裝位置圖 | - | | | | | | | |
| J837-FC-XCW2 | 裝飾條安裝位置圖 | - | | | | | | | |
| J837-FC-XCW3 | 裝飾條安裝位置圖 | - | | | | | | | |
| J837-FC-XCW4 | 裝飾條安裝位置圖 | - | | | | | | | |
| J837-FC-XCW5 | 百叶框安裝位置圖 | - | | | | | | | |
| J837-FC-XCW6 | 百叶框安裝位置圖 | - | | | | | | | |
| J837-FC-XCW7 | 百叶框安裝位置圖 | - | | | | | | | |
| J837-FC-XCW8 | 百叶框安裝位置圖 | - | | | | | | | |
| J837-FC-XCW9 | 型材安裝位置圖 | - | | | | | | | |
| J837-FC-XCW10 | 型材安裝位置圖 | - | | | | | | | |
| J837-FC-XCW11 | 型材安裝位置圖 | - | | | | | | | |
| J837-FC-XCW12 | 型材安裝位置圖 | - | | | | | | | |
| J837-FC-XCW13 | 百叶玉安裝位置圖 | - | | | | | | | |
| J837-FC-XCW14 | 百叶玉安裝位置圖 | - | | | | | | | |
| J837-FC-XCW15 | 百叶玉安裝位置圖 | - | | | | | | | |
| J837-FC-XCW16 | 百叶玉安裝位置圖 | - | | | | | | | |
| J837-FC-ST86A | 鋁飾條1加工圖 | - | | | | | | | |
| J837-FC-ST1A | 鋁飾條1加工圖 | - | | | | | | | |
| J837-FC-ST1A-1 | 數據表 | - | | | | | | | |
| J837-FC-ST24A | 鋁飾條1加工圖 | - | | | | | | | |
| J837-FC-ST33A | 鋁飾條1加工圖 | - | | | | | | | |
| J837-FC-ST33A-1 | 數據表 | - | | | | | | | |
| J837-FC-ST40A | 鋁飾條1加工圖 | - | | | | | | | |
| J837-FC-ST54A | 鋁飾條1加工圖 | - | | | | | | | |
| J837-FC-ST56A | 鋁飾條1加工圖 | - | | | | | | | |
| J837-FC-ST65A | 鋁飾條1加工圖 | - | | | | | | | |
| J837-FC-ST83A | 鋁飾條1加工圖 | - | | | | | | | |

| 圖則登記表 DRAWING REGISTER | | | | | | | | | | | | | |
|-------------------------------|-----------------------|----------------------|----|--|--|------------------|--|--|--|--|-------------------------------|--|--|
| | | | | | | | | | | | 接收日期 Receiving Date (適用於客戶圖則) | | |
| 工程名稱 Project Title: 觀瀾 | | 年 | | | | | | | | | | | |
| | | 月 | | | | | | | | | | | |
| 工程編號 Project No: J-837 | | 日 | | | | | | | | | | | |
| 分發予 Distributed To | | | | | | 發出日期 Issued Date | | | | | | | |
| | | 年 | 19 | | | | | | | | | | |
| | | 月 | 05 | | | | | | | | | | |
| | | 日 | 07 | | | | | | | | | | |
| 圖則編號 Drg. No. | 圖則名稱 Drawing Title | 修訂編號 Revision No. | | | | | | | | | | | |
| J837-FC-ST84A | 鋁飾條1加工圖 | - | | | | | | | | | | | |
| J837-FC-ST86B | 鋁飾條2加工圖 | - | | | | | | | | | | | |
| J837-FC-ST1B | 鋁飾條2加工圖 | - | | | | | | | | | | | |
| J837-FC-ST1B-1 | 數據表 | - | | | | | | | | | | | |
| J837-FC-ST24B | 鋁飾條2加工圖 | - | | | | | | | | | | | |
| J837-FC-ST33B | 鋁飾條2加工圖 | - | | | | | | | | | | | |
| J837-FC-ST33B-1 | 數據表 | - | | | | | | | | | | | |
| J837-FC-ST40B | 鋁飾條2加工圖 | - | | | | | | | | | | | |
| J837-FC-ST54B | 鋁飾條2加工圖 | - | | | | | | | | | | | |
| J837-FC-ST56B | 鋁飾條2加工圖 | - | | | | | | | | | | | |
| J837-FC-ST65B | 鋁飾條2加工圖 | - | | | | | | | | | | | |
| J837-FC-ST83B | 鋁飾條2加工圖 | - | | | | | | | | | | | |
| J837-FC-ST84B | 鋁飾條2加工圖 | - | | | | | | | | | | | |
| J837-FC-HAL86A | 鋁角加工圖 | - | | | | | | | | | | | |
| J837-FC-HAL1A | 鋁角加工圖 | - | | | | | | | | | | | |
| J837-FC-HAL1A-1 | 數據表 | - | | | | | | | | | | | |
| J837-FC-HAL24A | 鋁角加工圖 | - | | | | | | | | | | | |
| J837-FC-HAL24A-1 | 數據表 | - | | | | | | | | | | | |
| J837-FC-HAL33A | 鋁角加工圖 | - | | | | | | | | | | | |
| J837-FC-HAL33A-1 | 數據表 | - | | | | | | | | | | | |
| J837-FC-HAL40A | 鋁角加工圖 | - | | | | | | | | | | | |
| J837-FC-HAL54A | 鋁角加工圖 | - | | | | | | | | | | | |
| J837-FC-HAL56A | 鋁角加工圖 | - | | | | | | | | | | | |
| J837-FC-HAL65A | 鋁角加工圖 | - | | | | | | | | | | | |
| J837-FC-HAL83A | 鋁角加工圖 | - | | | | | | | | | | | |
| J837-FC-HAL84A | 鋁角加工圖 | - | | | | | | | | | | | |
| J837-FC-HAL86B | 百葉頂樞加工圖 | - | | | | | | | | | | | |

圖則登記表
DRAWING REGISTER

| | | | | | | | | | | | |
|-------------------------------|---|----|--|--|--|------------------|--|--|--|--|--|
| 接收日期 Receiving Date (適用於客戶圖則) | | | | | | | | | | | |
| 工程名稱 Project Title: 觀瀾 | 年 | | | | | | | | | | |
| | 月 | | | | | | | | | | |
| 工程編號 Project No: J-837 | 日 | | | | | | | | | | |
| 分發予 Distributed To | | | | | | 發出日期 Issued Date | | | | | |
| | 年 | 19 | | | | | | | | | |
| | 月 | 05 | | | | | | | | | |
| | 日 | 07 | | | | | | | | | |

| 圖則編號 Drg. No. | 圖則名稱 Drawing Title | 修訂編號 Revision No. | | | | | | | | | |
|------------------|-----------------------|----------------------|--|--|--|--|--|--|--|--|--|
| J837-FC-HAL1B | 百葉頂框加工圖 | - | | | | | | | | | |
| J837-FC-HAL1B-1 | 數據表 | - | | | | | | | | | |
| J837-FC-HAL24B | 百葉頂框加工圖 | - | | | | | | | | | |
| J837-FC-HAL24B-1 | 數據表 | - | | | | | | | | | |
| J837-FC-HAL33B | 百葉頂框加工圖 | - | | | | | | | | | |
| J837-FC-HAL33B-1 | 數據表 | - | | | | | | | | | |
| J837-FC-HAL40B | 百葉頂框加工圖 | - | | | | | | | | | |
| J837-FC-HAL54B | 百葉頂框加工圖 | - | | | | | | | | | |
| J837-FC-HAL56B | 百葉頂框加工圖 | - | | | | | | | | | |
| J837-FC-HAL65B | 百葉頂框加工圖 | - | | | | | | | | | |
| J837-FC-HAL83B | 百葉頂框加工圖 | - | | | | | | | | | |
| J837-FC-HAL84B | 百葉頂框加工圖 | - | | | | | | | | | |
| J837-FC-HAL86C | 百葉底框加工圖 | - | | | | | | | | | |
| J837-FC-HAL1C | 百葉底框加工圖 | - | | | | | | | | | |
| J837-FC-HAL1C-1 | 數據表 | - | | | | | | | | | |
| J837-FC-HAL24C | 百葉底框加工圖 | - | | | | | | | | | |
| J837-FC-HAL24C-1 | 數據表 | - | | | | | | | | | |
| J837-FC-HAL33C | 百葉底框加工圖 | - | | | | | | | | | |
| J837-FC-HAL33C-1 | 數據表 | - | | | | | | | | | |
| J837-FC-HAL40C | 百葉底框加工圖 | - | | | | | | | | | |
| J837-FC-HAL54C | 百葉底框加工圖 | - | | | | | | | | | |
| J837-FC-HAL56C | 百葉底框加工圖 | - | | | | | | | | | |
| J837-FC-HAL65C | 百葉底框加工圖 | - | | | | | | | | | |
| J837-FC-HAL83C | 百葉底框加工圖 | - | | | | | | | | | |
| J837-FC-HAL84C | 百葉底框加工圖 | - | | | | | | | | | |
| J837-FC-HAL1D | 鋁巴加工圖 | - | | | | | | | | | |
| J837-FC-HAL1D-1 | 數據表 | - | | | | | | | | | |

| 圖則登記表 DRAWING REGISTER | | | | | | | | | | | | |
|---------------------------|-----------------------|----------------------|----|--|--|------------------|--|--|--|--|-------------------------------|--|
| | | | | | | | | | | | 接收日期 Receiving Date (適用於客戶圖則) | |
| 工程名稱 Project Title: 觀瀾 | | 年 | | | | | | | | | | |
| | | 月 | | | | | | | | | | |
| 工程編號 Project No: J-837 | | 日 | | | | | | | | | | |
| 分發予 Distributed To | | | | | | 發出日期 Issued Date | | | | | | |
| | | 年 | 19 | | | | | | | | | |
| | | 月 | 05 | | | | | | | | | |
| | | 日 | 07 | | | | | | | | | |
| 圖則編號 Drg. No. | 圖則名稱 Drawing Title | 修訂編號 Revision No. | | | | | | | | | | |
| J837-FC-HAL1D-2 | 數據表 | - | | | | | | | | | | |
| J837-FC-HAL1E | 鋁巴加工圖 | - | | | | | | | | | | |
| J837-FC-HAL1E-1 | 數據表 | - | | | | | | | | | | |
| J837-FC-HAL1E-2 | 數據表 | - | | | | | | | | | | |
| J837-FC-HAL1F | 方通加工圖 | - | | | | | | | | | | |
| J837-FC-HAL50F | 方通加工圖 | - | | | | | | | | | | |
| J837-FC-HAL54F | 方通加工圖 | - | | | | | | | | | | |
| J837-FC-HAL86G | 百葉片加工圖 | - | | | | | | | | | | |
| J837-FC-HAL1G | 百葉片加工圖 | - | | | | | | | | | | |
| J837-FC-HAL1G-1 | 數據表 | - | | | | | | | | | | |
| J837-FC-HAL24G | 百葉片加工圖 | - | | | | | | | | | | |
| J837-FC-HAL24G-1 | 數據表 | - | | | | | | | | | | |
| J837-FC-HAL33G | 百葉片加工圖 | - | | | | | | | | | | |
| J837-FC-HAL33G-1 | 數據表 | - | | | | | | | | | | |
| J837-FC-HAL40G | 百葉片加工圖 | - | | | | | | | | | | |
| J837-FC-HAL54G | 百葉片加工圖 | - | | | | | | | | | | |
| J837-FC-HAL56G | 百葉片加工圖 | - | | | | | | | | | | |
| J837-FC-HAL65G | 百葉片加工圖 | - | | | | | | | | | | |
| J837-FC-HAL83G | 百葉片加工圖 | - | | | | | | | | | | |
| J837-FC-HAL84G | 百葉片加工圖 | - | | | | | | | | | | |
| J837-FC-VAL1 | 鋁槽加工圖 | - | | | | | | | | | | |
| J837-FC-VAL2 | 鋁槽加工圖 | - | | | | | | | | | | |
| J837-FC-VAL3 | 鋁通加工圖 | - | | | | | | | | | | |
| J837-FC-VAL4 | 鋁通加工圖 | - | | | | | | | | | | |
| J837-FC-VAL5 | 鋁通加工圖 | - | | | | | | | | | | |
| J837-FC-VAL6 | 鋁角加工圖 | - | | | | | | | | | | |
| J837-FC-VAL7 | 鋁角加工圖 | - | | | | | | | | | | |

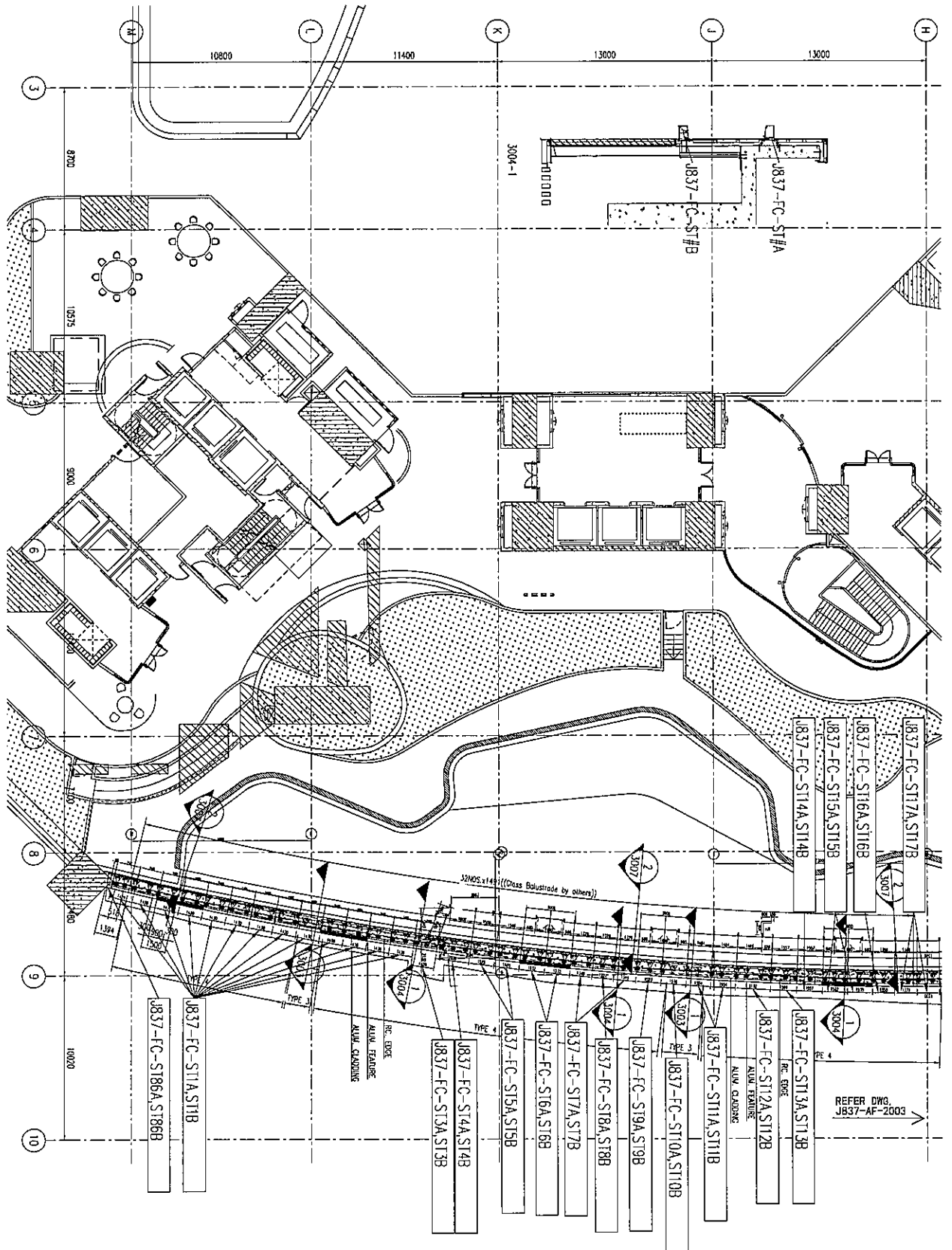
| 圖則登記表 DRAWING REGISTER | | | | | | | | | | | | | | | | | | | | | |
|---------------------------|-----------------------|--|----------------------|--|--|------------------|----|--|--|--|-------------------------------|--|--|--|--|--|--|--|--|--|--|
| 工程名稱 Project Title: 觀瀾 | | | | | | | | | | | 接收日期 Receiving Date (適用於客戶圖則) | | | | | | | | | | |
| 工程編號 Project No: J-837 | | | | | | | | | | | 年 | | | | | | | | | | |
| | | | | | | | | | | | 月 | | | | | | | | | | |
| | | | | | | | | | | | 日 | | | | | | | | | | |
| 分發予 Distributed To | | | | | | 發出日期 Issued Date | | | | | | | | | | | | | | | |
| | | | | | | 年 | 19 | | | | | | | | | | | | | | |
| | | | | | | 月 | 05 | | | | | | | | | | | | | | |
| | | | | | | 日 | 07 | | | | | | | | | | | | | | |
| 圖則編號 Drg. No. | 圖則名稱 Drawing Title | | 修訂編號 Revision No. | | | | | | | | | | | | | | | | | | |
| J837-FC-A01 | 鋁角加工圖 | | - | | | | | | | | | | | | | | | | | | |
| J837-FC-BYY1 | 百葉玉組裝圖 | | - | | | | | | | | | | | | | | | | | | |
| J837-FC-BYY1-1 | 數據表 | | - | | | | | | | | | | | | | | | | | | |
| J837-FC-BYY1-2 | 數據表 | | - | | | | | | | | | | | | | | | | | | |
| J837-FC-BYY1-3 | 數據表 | | - | | | | | | | | | | | | | | | | | | |
| J837-FC-BYY24 | 百葉玉組裝圖 | | - | | | | | | | | | | | | | | | | | | |
| J837-FC-BYY24-1 | 數據表 | | - | | | | | | | | | | | | | | | | | | |
| J837-FC-BYY24-2 | 數據表 | | - | | | | | | | | | | | | | | | | | | |
| J837-FC-BYY24-3 | 數據表 | | - | | | | | | | | | | | | | | | | | | |
| J837-FC-BYY33 | 百葉玉組裝圖 | | - | | | | | | | | | | | | | | | | | | |
| J837-FC-BYY33-1 | 數據表 | | - | | | | | | | | | | | | | | | | | | |
| J837-FC-BYY33-2 | 數據表 | | - | | | | | | | | | | | | | | | | | | |
| J837-FC-BYY33-3 | 數據表 | | - | | | | | | | | | | | | | | | | | | |
| J837-FC-BYY33-4 | 數據表 | | - | | | | | | | | | | | | | | | | | | |
| J837-FC-BYY33-5 | 數據表 | | - | | | | | | | | | | | | | | | | | | |
| J837-FC-BYY33-6 | 數據表 | | - | | | | | | | | | | | | | | | | | | |
| J837-FC-BYY40 | 百葉玉組裝圖 | | - | | | | | | | | | | | | | | | | | | |
| J837-FC-BYY54 | 百葉玉組裝圖 | | - | | | | | | | | | | | | | | | | | | |
| J837-FC-BYY56 | 百葉玉組裝圖 | | - | | | | | | | | | | | | | | | | | | |
| J837-FC-BYY65 | 百葉玉組裝圖 | | - | | | | | | | | | | | | | | | | | | |
| J837-FC-BYY83 | 百葉玉組裝圖 | | - | | | | | | | | | | | | | | | | | | |
| J837-FC-BYY84 | 百葉玉組裝圖 | | - | | | | | | | | | | | | | | | | | | |
| J837-FC-BYY86 | 百葉玉組裝圖 | | - | | | | | | | | | | | | | | | | | | |
| J837-FC-BYY23 | 百葉玉組裝圖 | | - | | | | | | | | | | | | | | | | | | |
| J837-FC-BYY79 | 百葉玉組裝圖 | | - | | | | | | | | | | | | | | | | | | |
| J837-FC-BYY2 | 百葉玉組裝圖 | | - | | | | | | | | | | | | | | | | | | |
| J837-FC-BYY73 | 百葉玉組裝圖 | | - | | | | | | | | | | | | | | | | | | |

| 圖則登記表 DRAWING REGISTER | | | | | | | | | | | | |
|---------------------------|------------|-----------------------|----|----------------------|--|------------------|--|--|--|--|-------------------------------|--|
| | | | | | | | | | | | 接收日期 Receiving Date (適用於客戶圖則) | |
| 工程名稱 Project Title: 觀瀾 | | 年 | | | | | | | | | | |
| | | 月 | | | | | | | | | | |
| 工程編號 Project No: J-837 | | 日 | | | | | | | | | | |
| 分發予 Distributed To | | | | | | 發出日期 Issued Date | | | | | | |
| | | 年 | 19 | | | | | | | | | |
| | | 月 | 05 | | | | | | | | | |
| | | 日 | 07 | | | | | | | | | |
| 圖則編號 Drg. No. | | 圖則名稱 Drawing Title | | 修訂編號 Revision No. | | | | | | | | |
| J837-FC-HAL73B | 百葉框頂橫彎弧加工圖 | - | | | | | | | | | | |
| J837-FC-HAL73C | 百葉框底橫彎弧加工圖 | - | | | | | | | | | | |
| J837-FC-HAL73G | 百葉片彎弧加工圖 | - | | | | | | | | | | |
| J837-FC-HAL73A | 鋁角彎弧加工圖 | - | | | | | | | | | | |
| J837-FC-HAL73D | 鋁巴彎弧加工圖 | - | | | | | | | | | | |
| J837-FC-HAL73E | 鋁巴彎弧加工圖 | - | | | | | | | | | | |
| J837-FC-ST32A | 裝飾條1彎弧加工圖 | - | | | | | | | | | | |
| J837-FC-ST32B | 裝飾條2彎弧加工圖 | - | | | | | | | | | | |
| J837-FC-HAL32B | 百葉框頂橫彎弧加工圖 | - | | | | | | | | | | |
| J837-FC-HAL32C | 百葉框底橫彎弧加工圖 | - | | | | | | | | | | |
| J837-FC-HAL32G | 百葉片彎弧加工圖 | - | | | | | | | | | | |
| J837-FC-HAL32A | 鋁角彎弧加工圖 | - | | | | | | | | | | |
| J837-FC-HAL32D | 鋁巴彎弧加工圖 | - | | | | | | | | | | |
| J837-FC-HAL32E | 鋁巴彎弧加工圖 | - | | | | | | | | | | |
| | | | | | | | | | | | | |



美特鋁質 有限公司
MIDI Aluminium Fabricator Ltd.

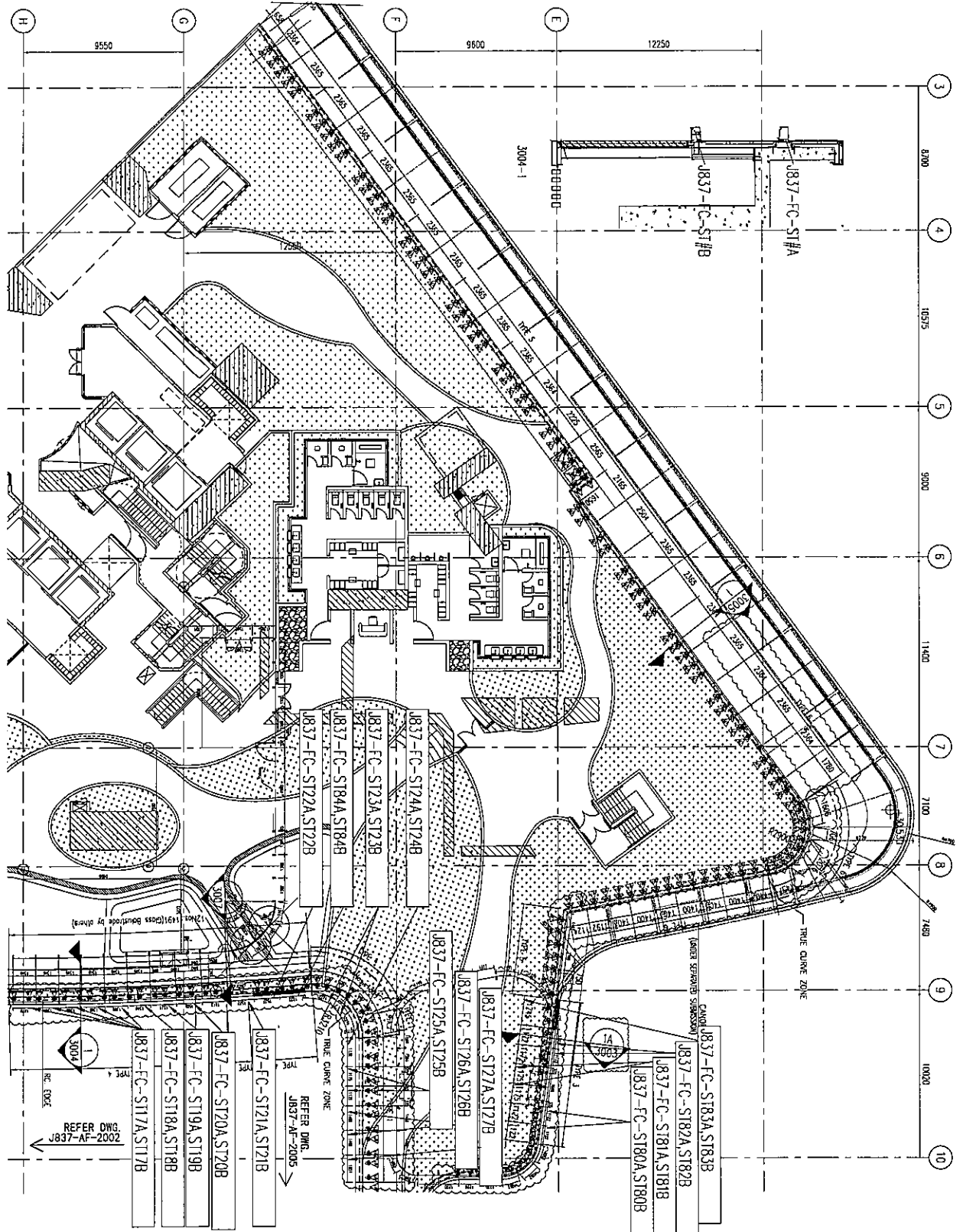
工程號 J-837 地盤 震效



| | | | | | | | | |
|----|----------|----|-----|------------|----|--------------|--|--|
| 名稱 | 裝飾條安裝位置圖 | 制圖 | 吳祎瑜 | 2019.04.26 | 修改 | | | |
| 材料 | | 復核 | | | 日期 | | | |
| 顏色 | | 批准 | | | 圖號 | J837-FC-XCW1 | | |



工程號 J-837 地盤 震放

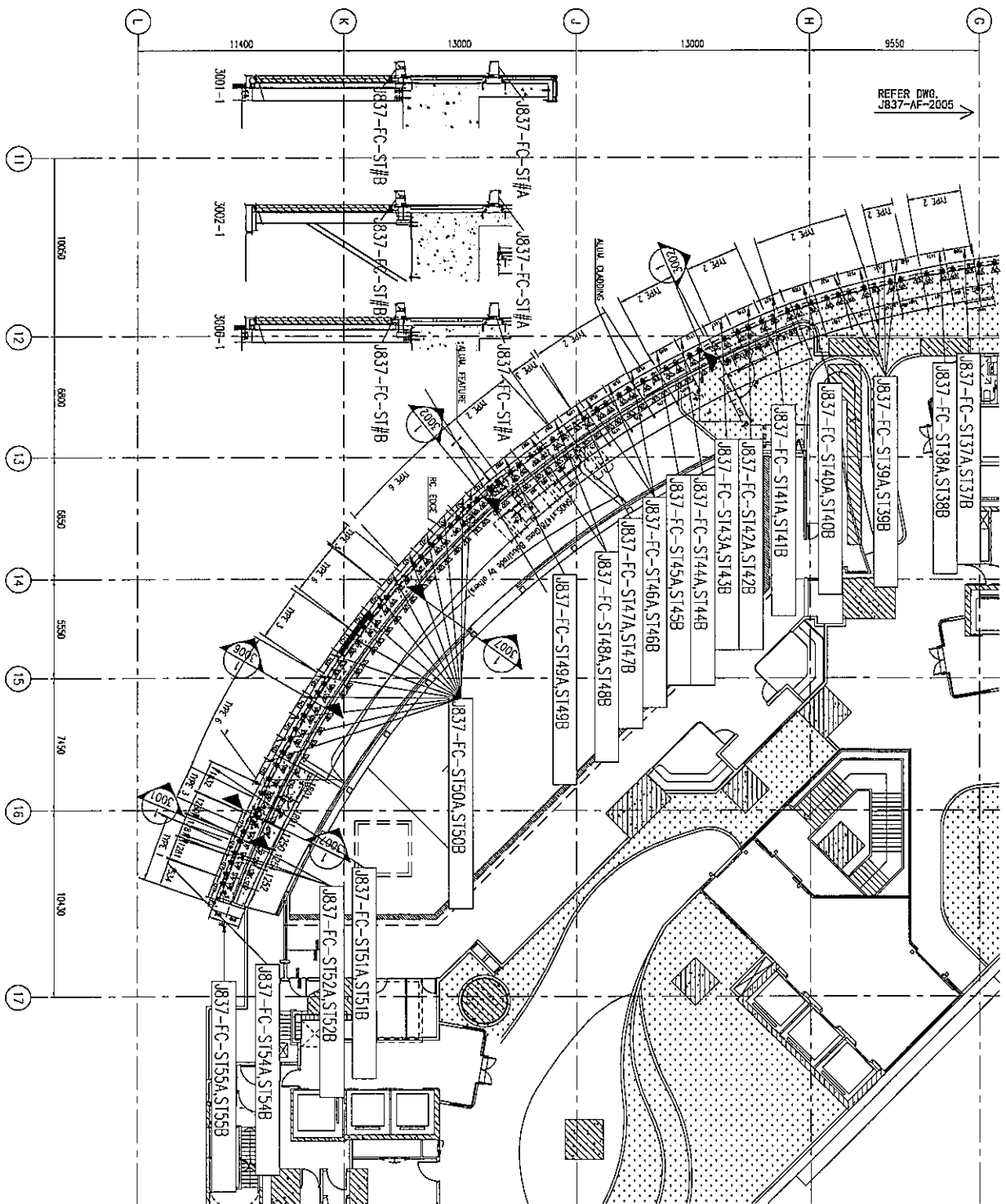


| | | | | | | |
|----|----------|----|-----|------------|----|--------------|
| 名稱 | 裝飾條安裝位置圖 | 制圖 | 吳禕瑜 | 2019.04.26 | 修改 | |
| 材料 | | 復核 | | | 日期 | |
| 顏色 | | 批准 | | | 圖號 | J837-FC-XCW2 |

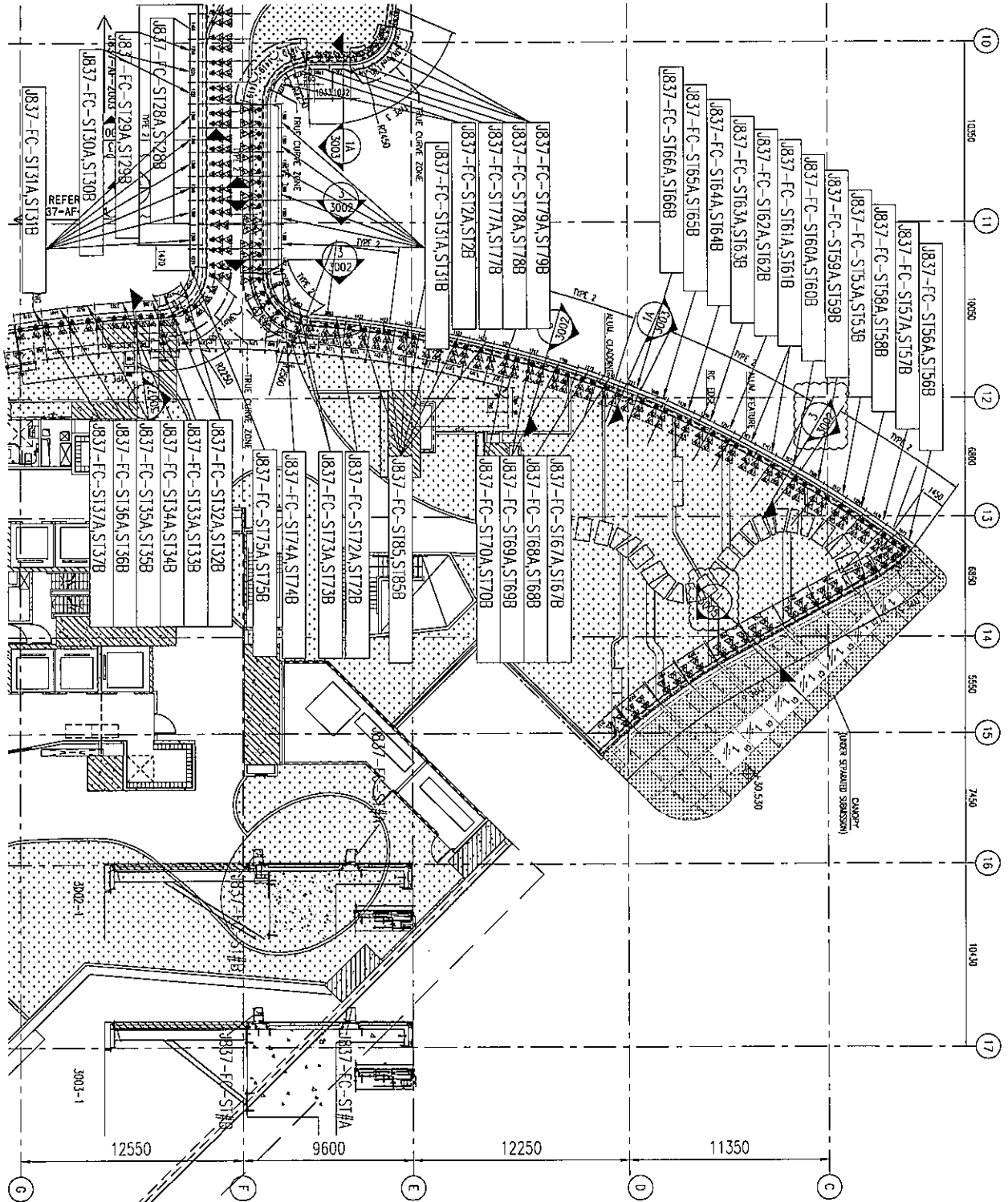


美特鋁質 有限公司
MIDI Aluminium Fabricator Ltd.

| | | | |
|-----|-------|----|----|
| 工程號 | J-837 | 地盤 | 震放 |
|-----|-------|----|----|



| | | | | | | | |
|----|----------|----|-----|------------|----|--------------|--|
| 名稱 | 裝飾條安裝位置圖 | 制圖 | 吳祎瑜 | 2019.04.26 | 修改 | | |
| 材料 | | 復核 | | | 日期 | | |
| 顏色 | | 批准 | | | 圖號 | J837-FC-XCW3 | |

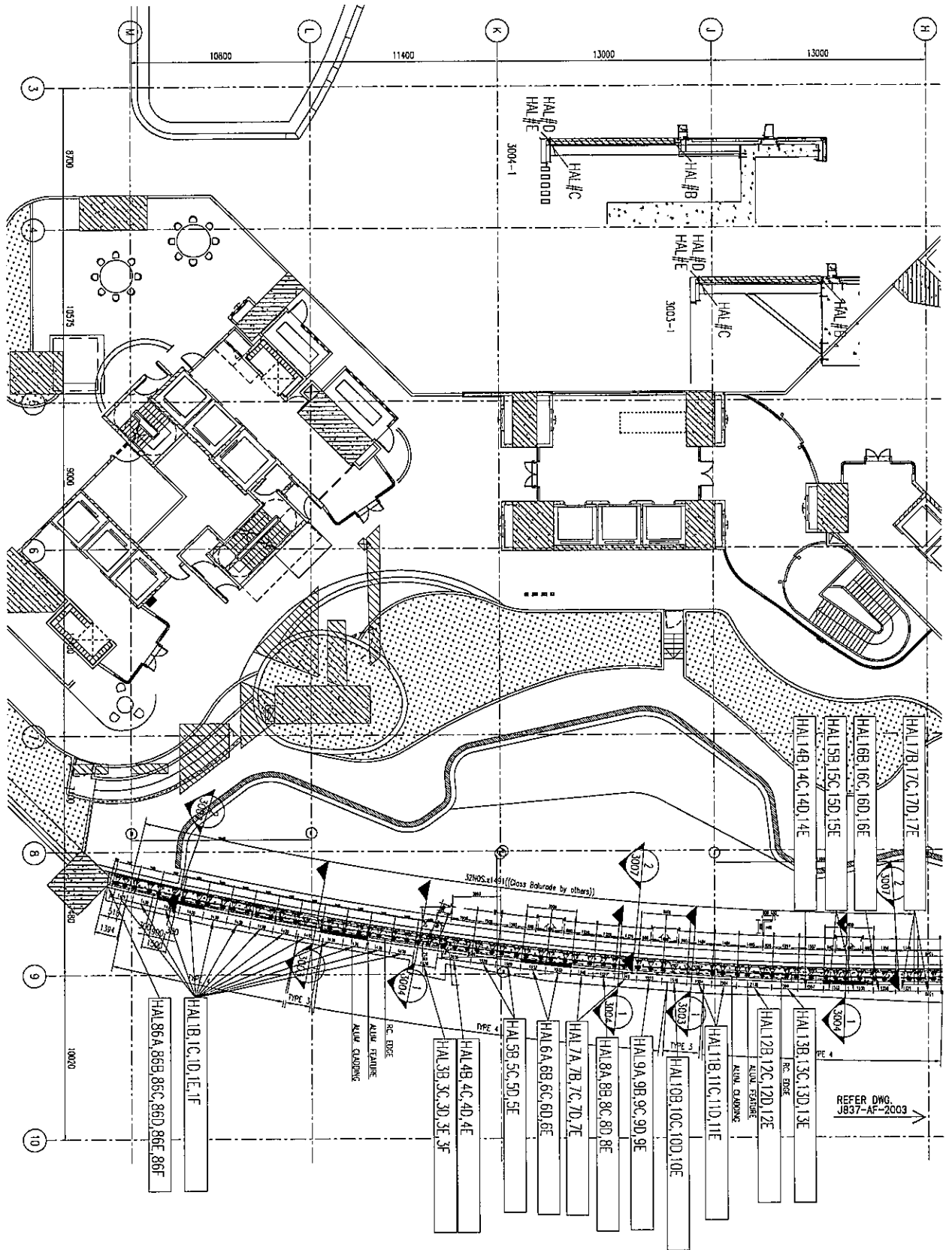


| | | | | | | | |
|----|----------|----|-----|------------|----|--------------|--|
| 名稱 | 裝飾條安裝位置圖 | 制圖 | 吳祎瑜 | 2019.04.26 | 修改 | | |
| 材料 | | 復核 | | | 日期 | | |
| 顏色 | | 批准 | | | 圖號 | J837-FC-XCW4 | |



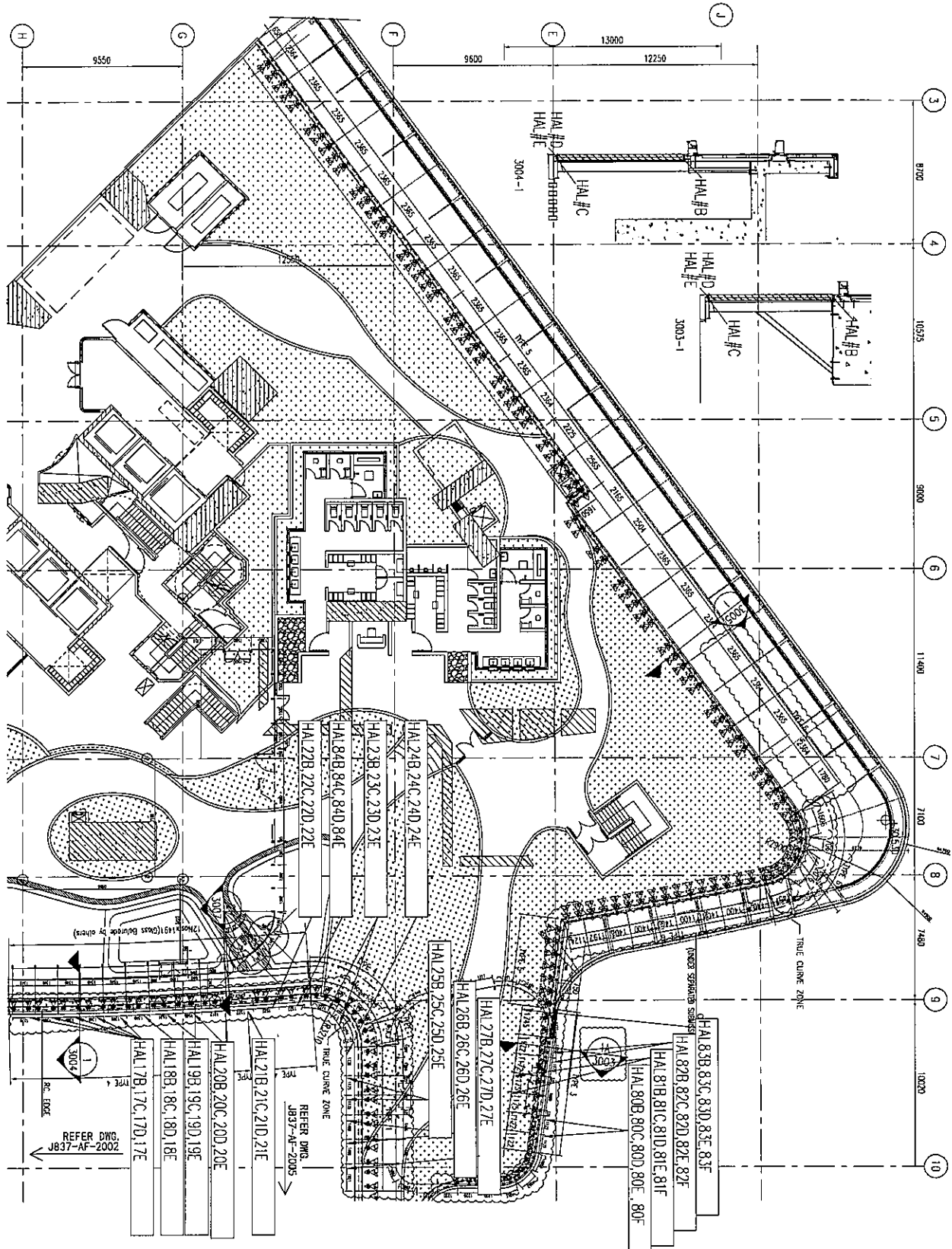
美特鋁質 有限公司
MIDI Aluminium Fabricator Ltd.

| | | | |
|-----|-------|----|----|
| 工程號 | J-837 | 地盤 | 震效 |
|-----|-------|----|----|



| | | | | | | |
|----|----------|----|-----|------------|----|--------------|
| 名稱 | 百叶窗安裝位置圖 | 制圖 | 吳祎瑜 | 2019.04.26 | 修改 | |
| 材料 | | 復核 | | | 日期 | |
| 顏色 | | 批准 | | | 圖號 | J837-FC-XCW5 |

| | | | |
|-----|-------|----|----|
| 工程號 | J-837 | 地盤 | 震放 |
|-----|-------|----|----|



| | | | | | | | |
|----|----------|----|-----|------------|----|--------------|--|
| 名稱 | 百叶框安裝位置圖 | 制圖 | 吳祎瑜 | 2019.04.26 | 修改 | | |
| 材料 | | 復核 | | | 日期 | | |
| 顏色 | | 批准 | | | 圖號 | J837-FC-XCW6 | |



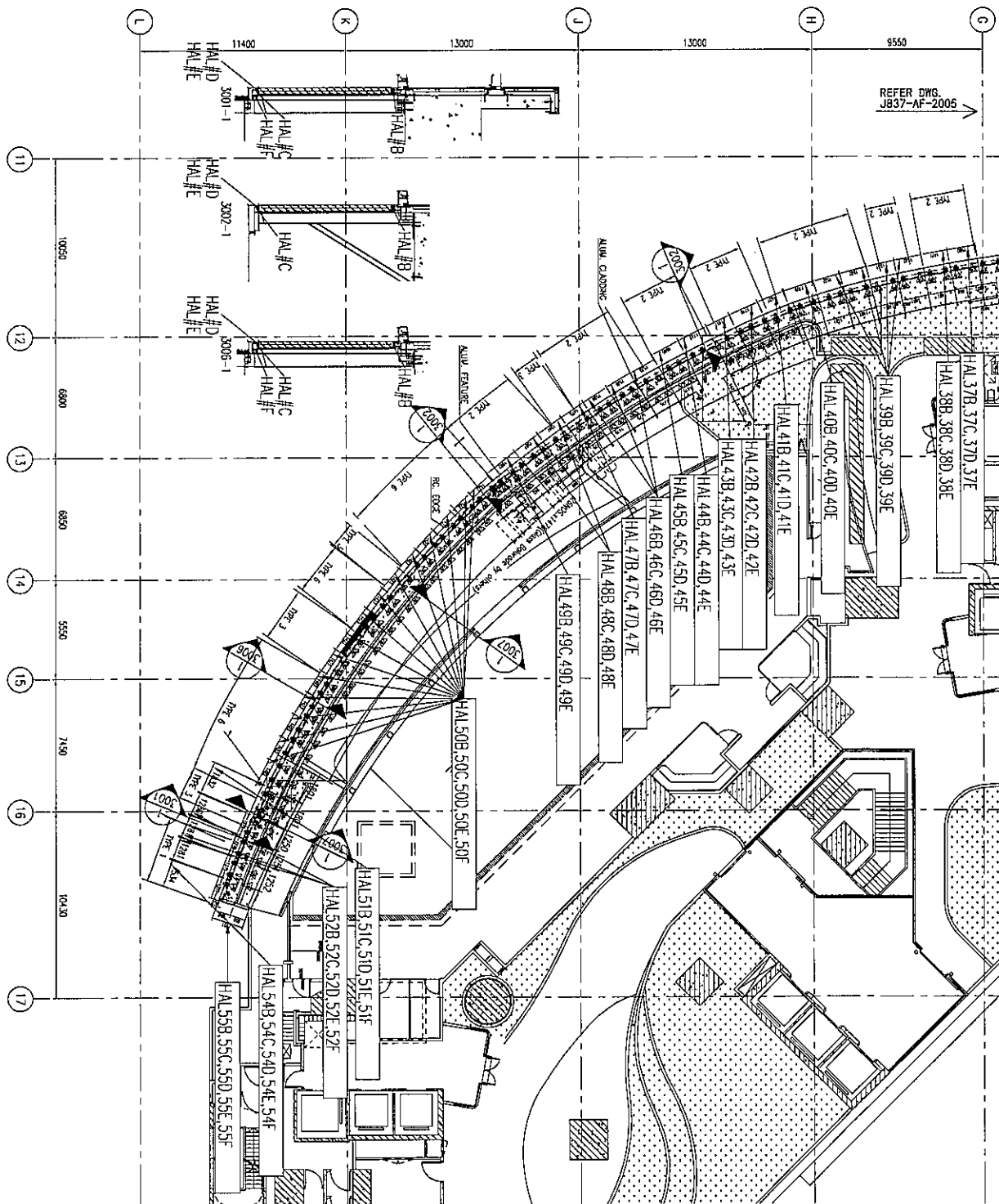
美特鋁質 有限公司
MIDI Aluminium Fabricator Ltd.

工程號

J-837

地盤

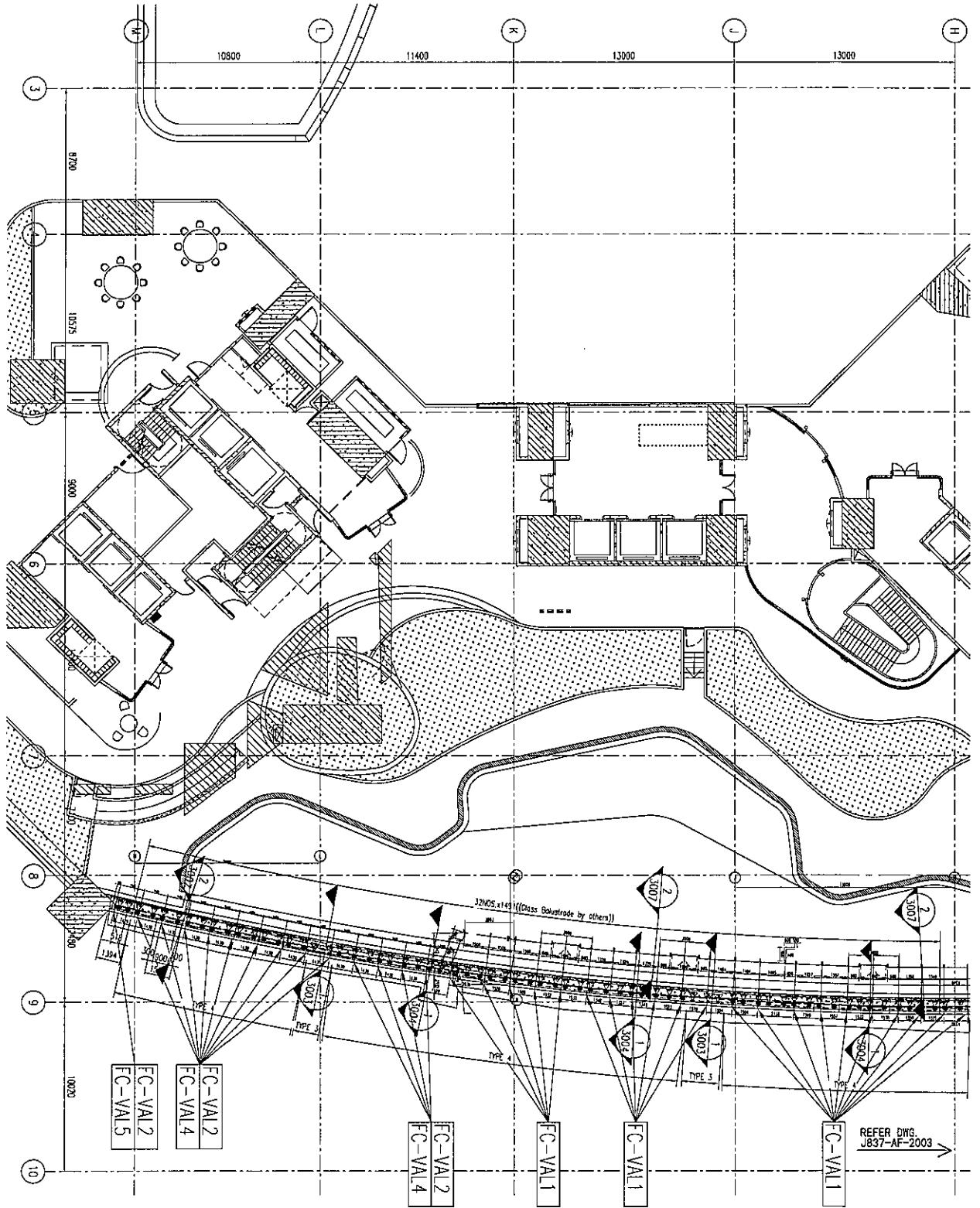
興發



| | | | | | | | |
|----|----------|----|-----|------------|----|--------------|--|
| 名稱 | 百叶框安裝位置圖 | 制圖 | 吳祿瑜 | 2019.04.26 | 修改 | | |
| 材料 | | 復核 | | | 日期 | | |
| 顏色 | | 批准 | | | 圖號 | J837-FC-XCW7 | |

美特鋁質 有限公司
MIDI Aluminium Fabricator Ltd.

工程號 J-837 地盤 震放

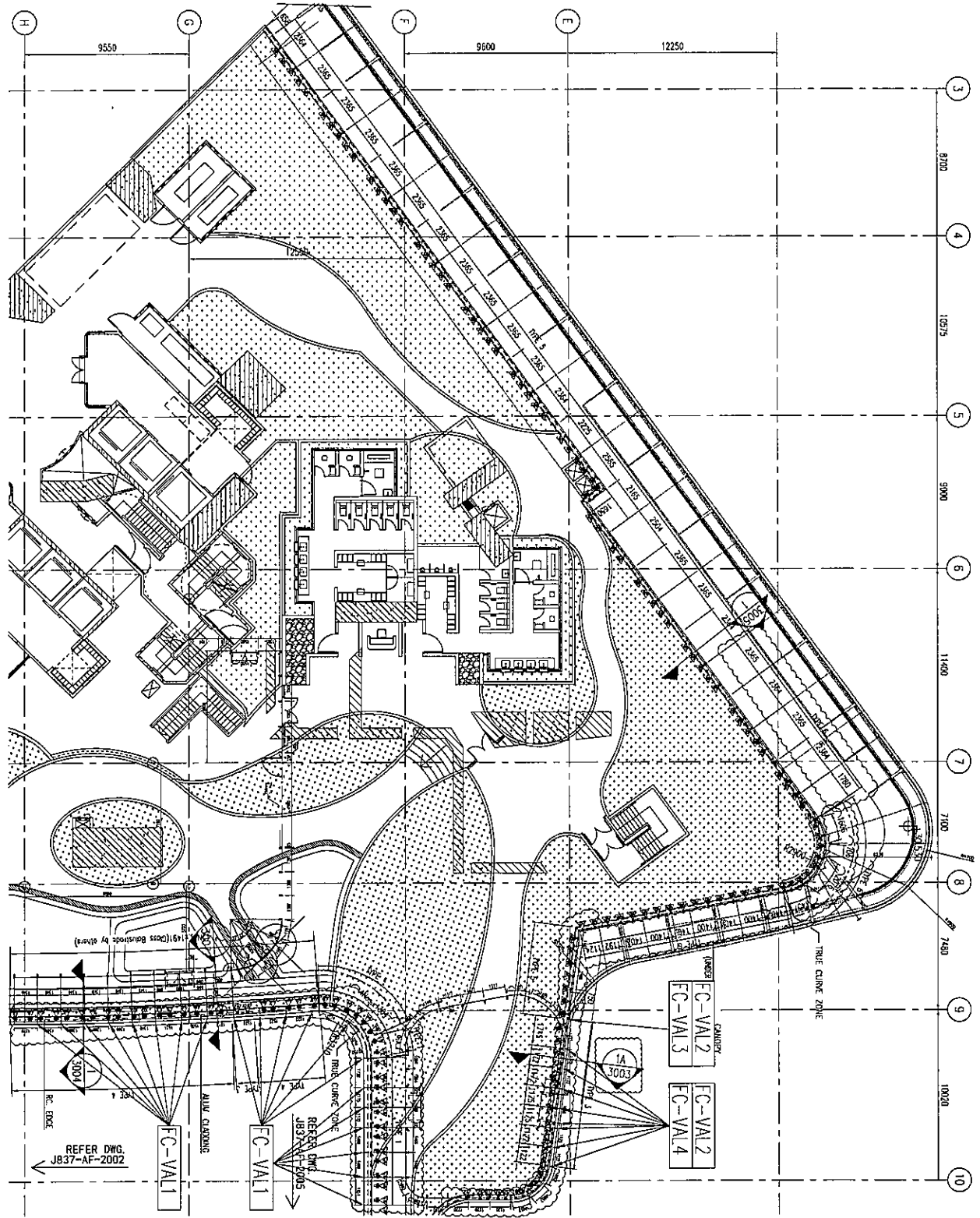


| | | | | | | | |
|----|---------|----|-----|------------|----|--------------|--|
| 名稱 | 型材安裝位置圖 | 制圖 | 吳祎瑜 | 2019.03.16 | 修改 | | |
| 材料 | | 復核 | | | 日期 | | |
| 顏色 | | 批准 | | | 圖號 | J837-FC-XCW9 | |



美特鋁質 有限公司
MIDI Aluminium Fabricator Ltd.

工程號 J-837 地盤 震效

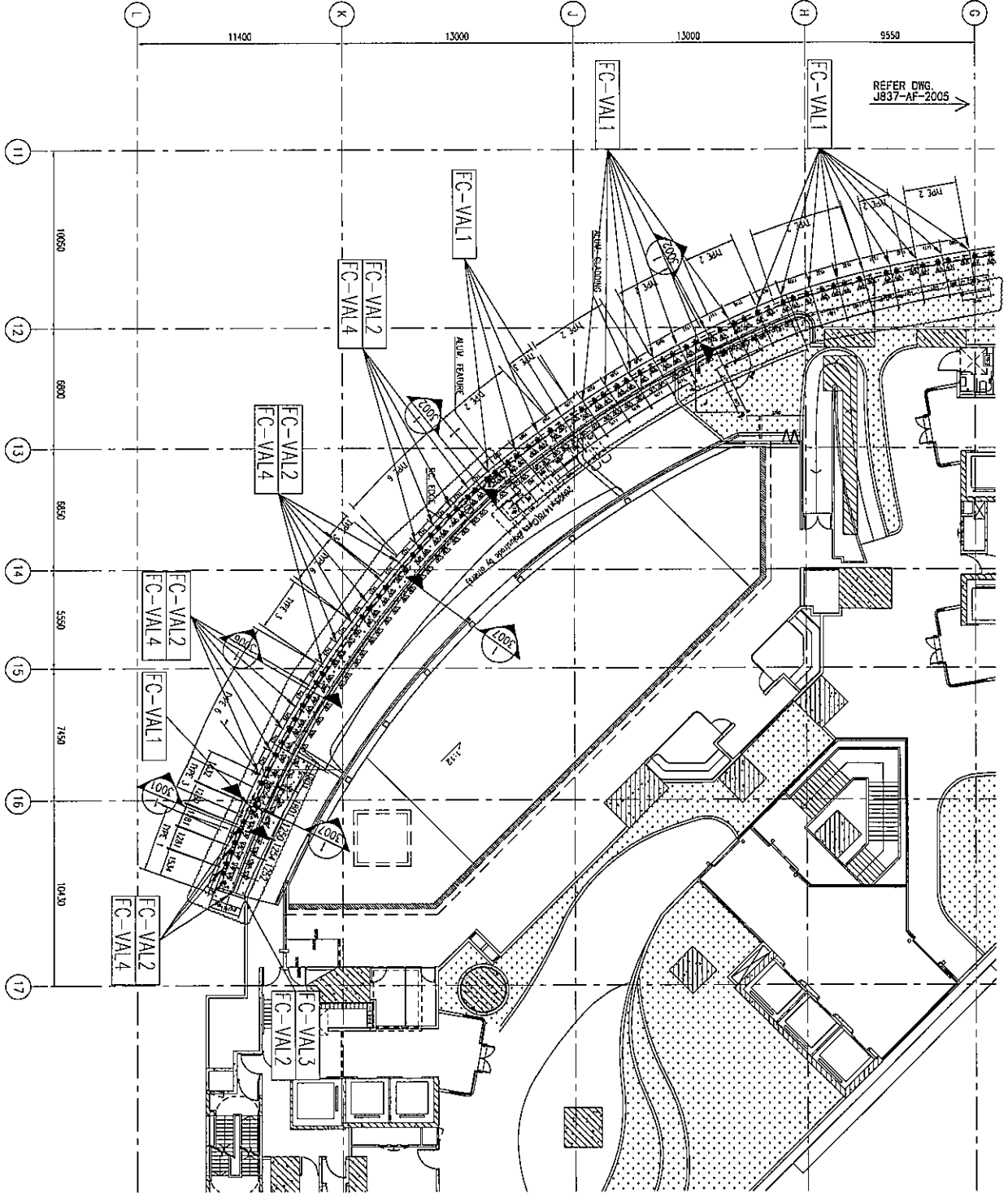


| | | | | | | |
|----|---------|----|-----|------------|----|---------------|
| 名稱 | 型材安裝位置圖 | 制圖 | 吳祎瑜 | 2019.03.16 | 修改 | |
| 材料 | | 復核 | | | 日期 | |
| 顏色 | | 批准 | | | 圖號 | J837-FC-XCW10 |



美特鋁質 有限公司
MIDI Aluminium Fabricator Ltd.

| | | | |
|-----|-------|----|----|
| 工程號 | J-837 | 地盤 | 震放 |
|-----|-------|----|----|

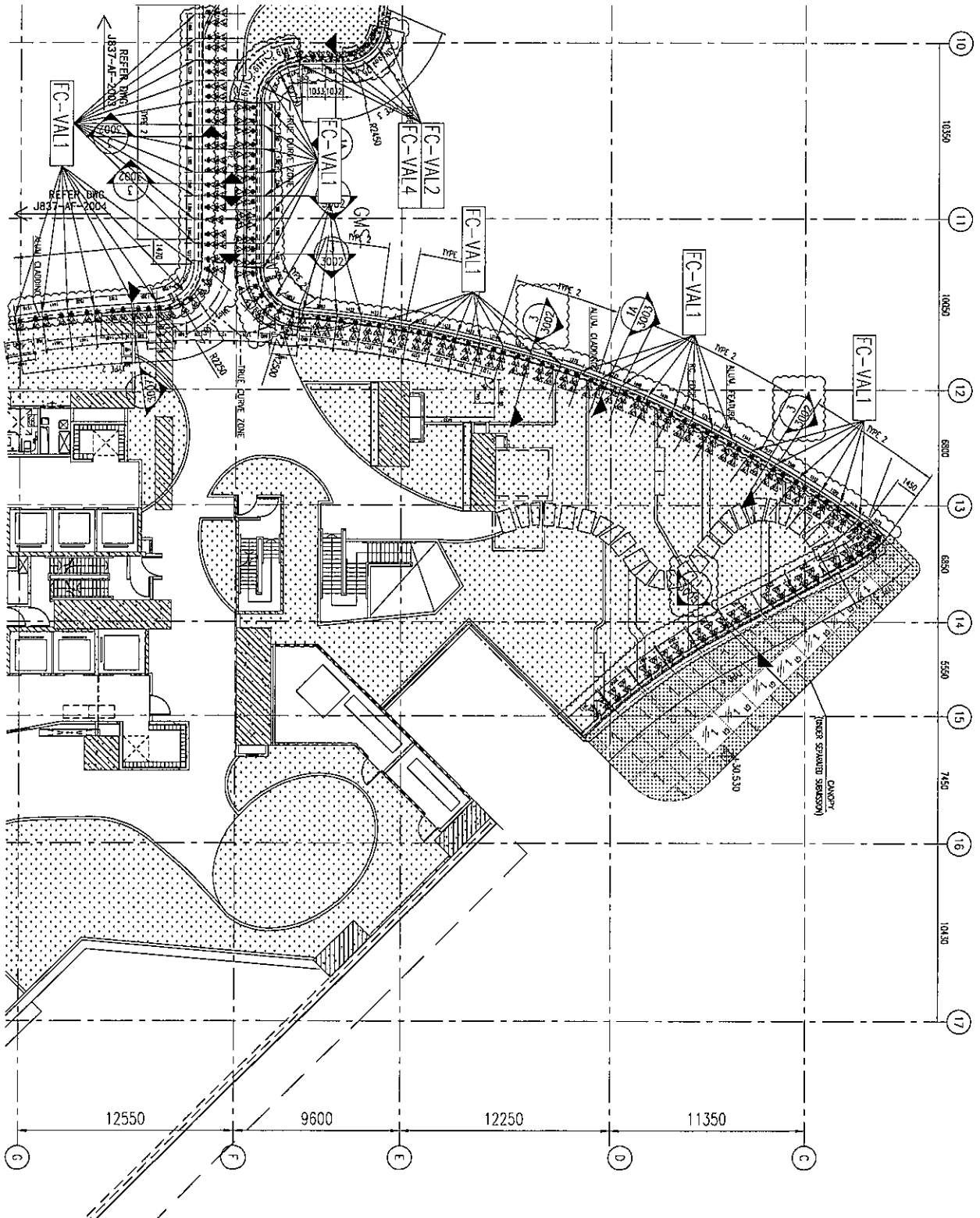


| | | | | | | |
|----|---------|----|-----|------------|----|---------------|
| 名稱 | 型材安裝位置圖 | 制圖 | 吳祿瑜 | 2019.03.16 | 修改 | |
| 材料 | | 復核 | | | 日期 | |
| 顏色 | | 批准 | | | 圖號 | J837-FC-XCW11 |



美特鋁質 有限公司
MIDI Aluminium Fabricator Ltd.

工程號 J-837 地盤 震嶺

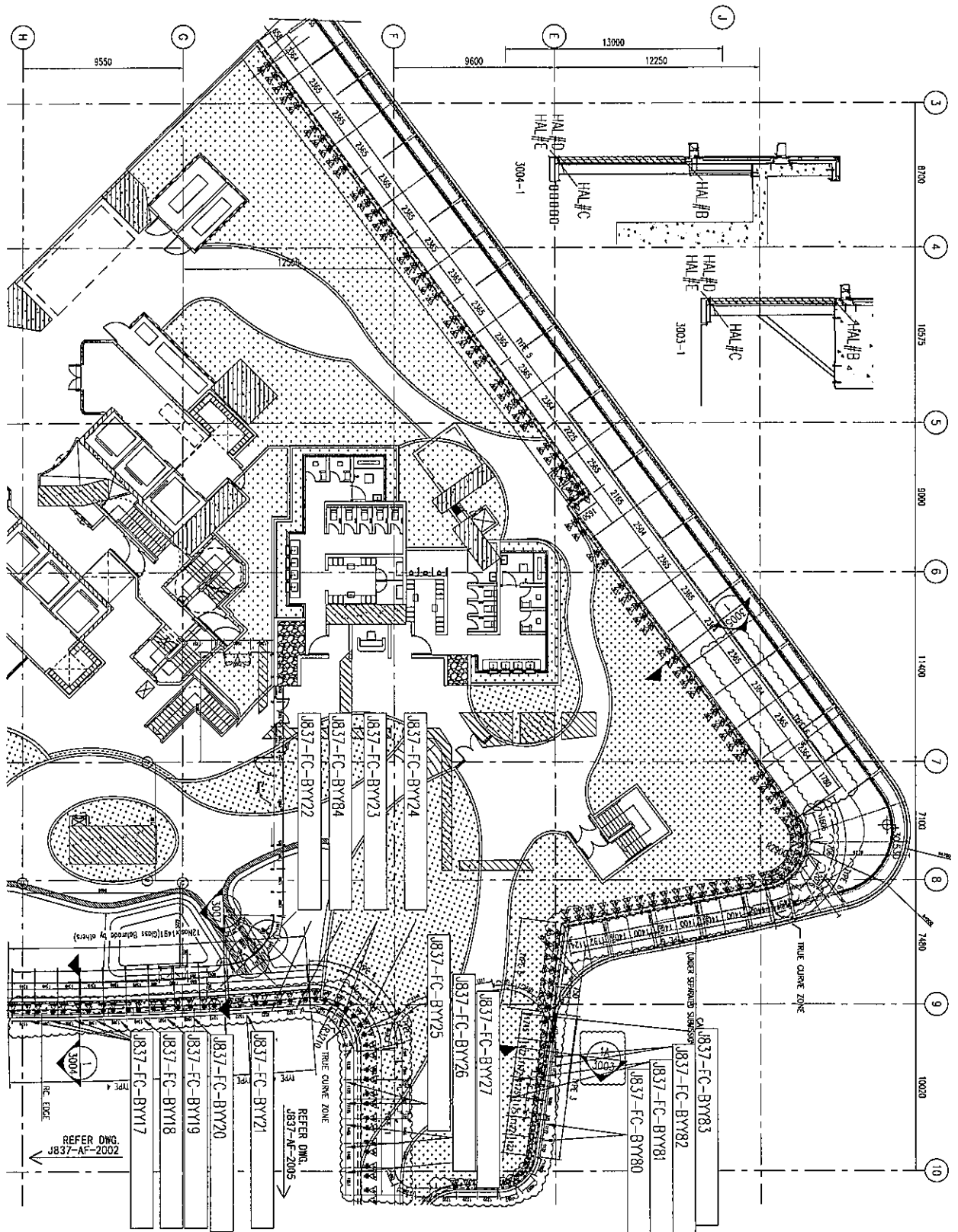


| | | | | | | | |
|----|---------|----|-----|------------|----|---------------|--|
| 名稱 | 型材安裝位置圖 | 制圖 | 吳神瑜 | 2019.03.16 | 修改 | | |
| 材料 | | 復核 | | | 日期 | | |
| 顏色 | | 批准 | | | 圖號 | J837-FC-XCW12 | |



美特鋁質 有限公司
MIDI Aluminium Fabricator Ltd.

工程號 J-837 地盤 震效



| | | | | | | |
|----|----------|----|-----|------------|----|---------------|
| 名稱 | 百叶玉安裝位置圖 | 制圖 | 吳祎瑜 | 2019.05.07 | 修改 | |
| 材料 | | 復核 | | | 日期 | |
| 顏色 | | 批准 | | | 圖號 | J837-FC-XCW14 |



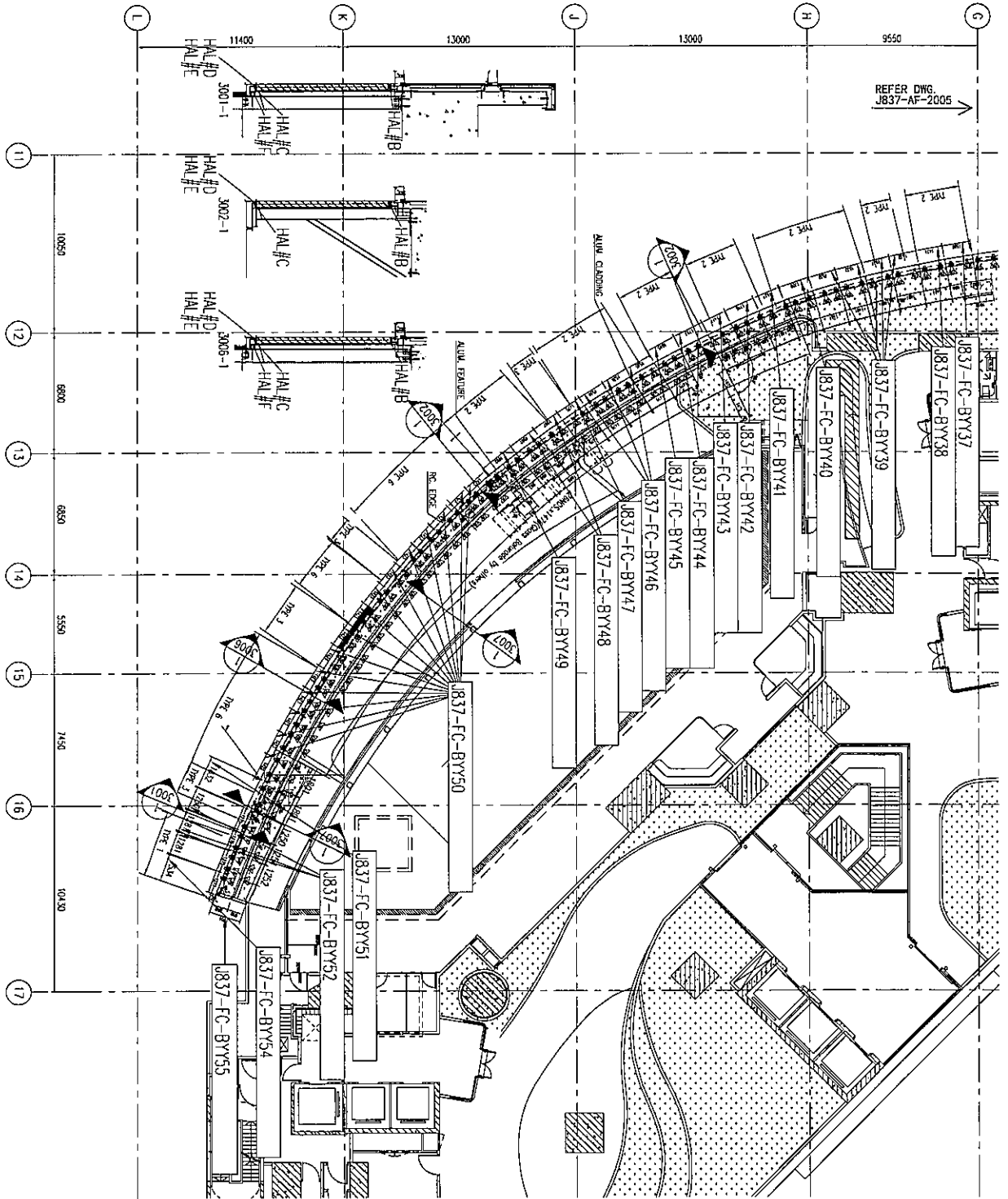
美特鋁質 有限公司
MIDI Aluminium Fabricator Ltd.

工程號

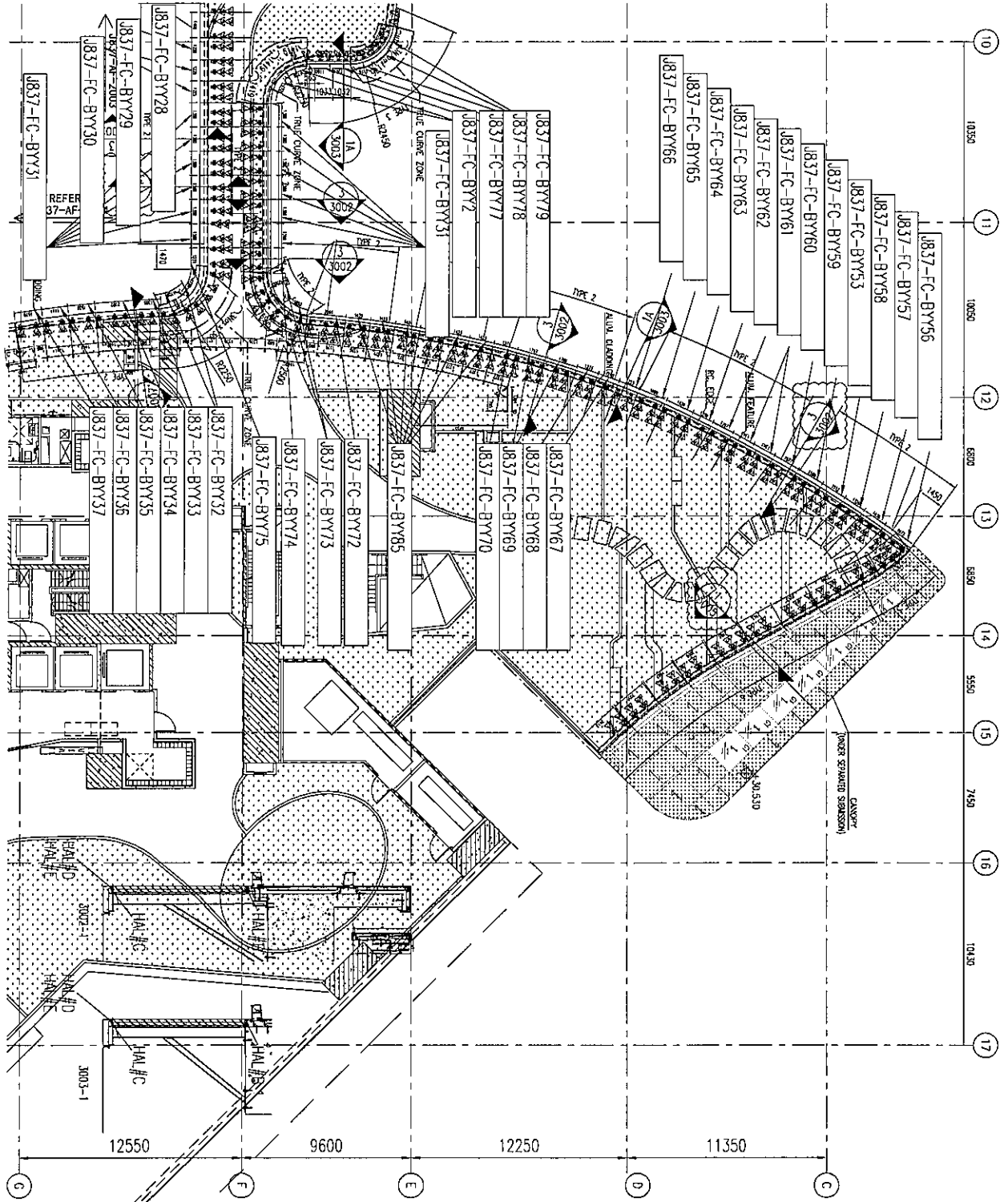
J-837

地盤

農效



| | | | | | | |
|----|----------|----|-----|------------|----|---------------|
| 名稱 | 百叶玉安裝位置圖 | 制圖 | 吳祎瑜 | 2019.05.07 | 修改 | |
| 材料 | | 復核 | | | 日期 | |
| 顏色 | | 批准 | | | 圖號 | J837-FC-XCW15 |

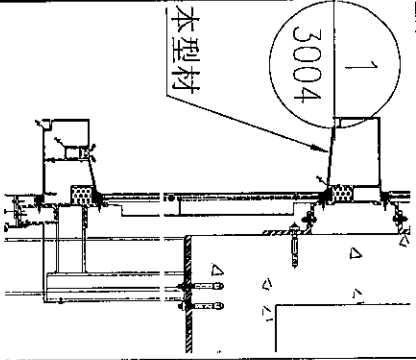


| | | | | | | | |
|----|----------|----|-----|------------|----|---------------|--|
| 名稱 | 百叶玉安裝位置圖 | 制圖 | 吳祐瑜 | 2019.05.07 | 修改 | | |
| 材料 | | 復核 | | | 日期 | | |
| 顏色 | | 批准 | | | 圖號 | J837-FC-XCW16 | |

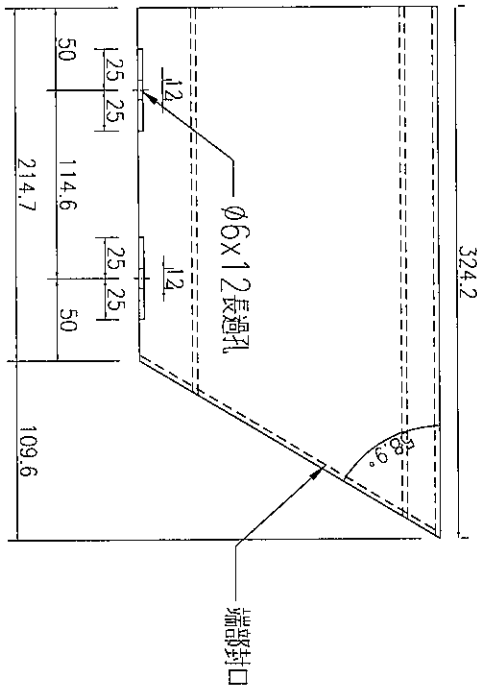
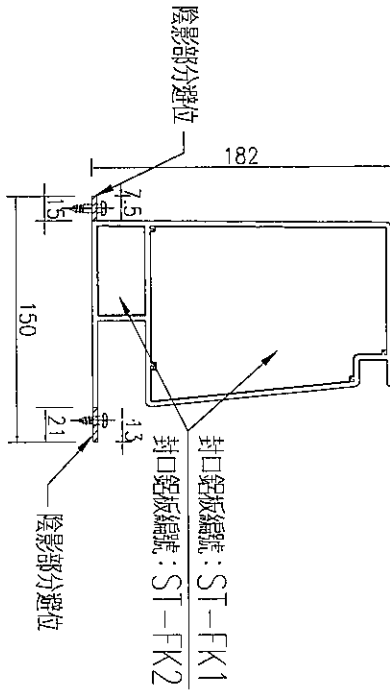
工程號 J-837 地盤 觀塘

注：此型材為邊位，需地盤複數后方能加工

可加工



SECTION A-A



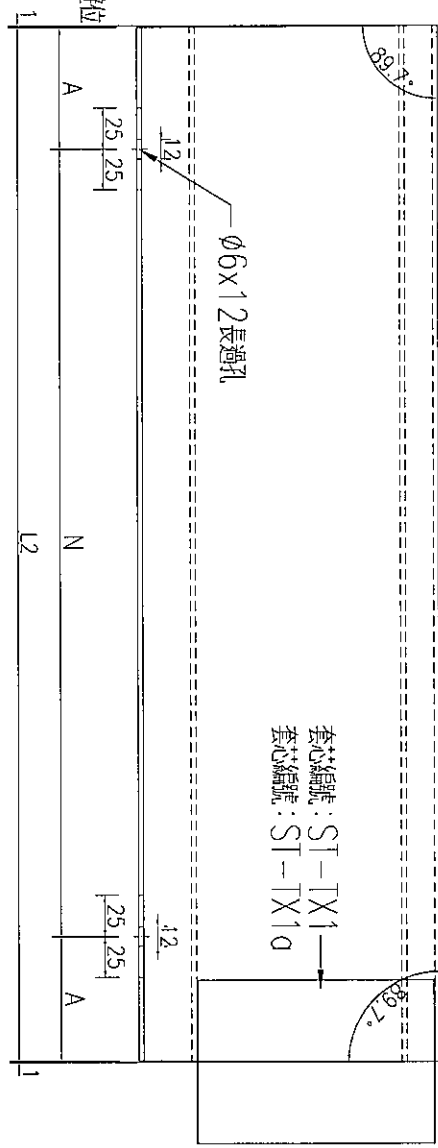
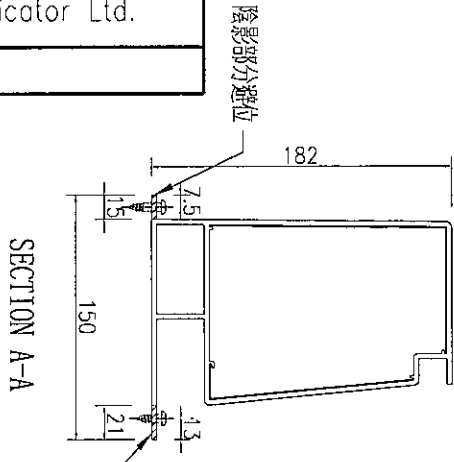
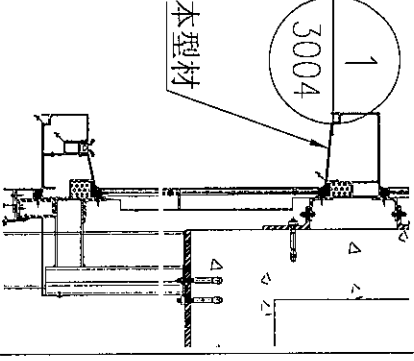
| | |
|----|---|
| 數量 | 1 |
|----|---|

| | | | | | | | |
|----|-------------------|----|-----|-----------|----|---------------|--|
| 名稱 | 鋁飾條1加工圖 | 制圖 | 吳禕瑜 | 2019-4-26 | 修改 | | |
| 材料 | X85640 | 復核 | | | 日期 | | |
| 顏色 | EC-DG-W333007RY白色 | 批准 | | | 圖號 | J837-FC-ST86A | |



美特鋁質 有限公司
MIDI Aluminium Fabricator Ltd.

| | | | |
|-----|-------|----|----|
| 工程號 | J-837 | 地盤 | 觀塘 |
|-----|-------|----|----|



數據表見: J837-FC-ST1A-1

| | | | | | | | |
|----|-------------------|----|-----|-----------|----|--------------|--|
| 名稱 | 鋁飾條1加工圖 | 制圖 | 吳禕瑜 | 2019-4-26 | 修改 | | |
| 材料 | X85640 | 復核 | | | 日期 | | |
| 顏色 | EC-DG-W333007RY白色 | 批准 | | | 圖號 | J837-FC-ST1A | |



| | | | |
|-----|-------|----|----|
| 工程號 | J-837 | 地盤 | 觀塘 |
|-----|-------|----|----|

加工圖見：J837-FC-ST1A

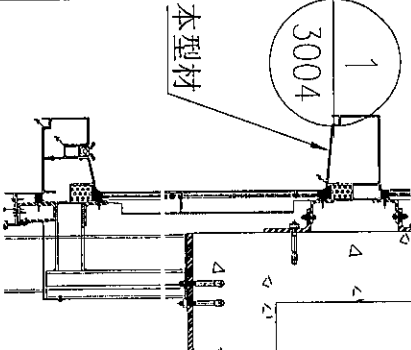
| 序号 | 编号 | 长度L | 长度L2 | 数量 | A | N |
|----|---------------|------|------|----|-------|-----|
| 1 | J837-FC-ST1A | 1424 | 1422 | 13 | 111 | 300 |
| 2 | J837-FC-ST3A | 1422 | 1420 | 1 | 110 | 300 |
| 3 | J837-FC-ST4A | 2033 | 2031 | 1 | 115.5 | 300 |
| 4 | J837-FC-ST5A | 1514 | 1512 | 2 | 156 | 300 |
| 5 | J837-FC-ST6A | 1526 | 1524 | 2 | 162 | 300 |
| 6 | J837-FC-ST7A | 1342 | 1340 | 2 | 70 | 300 |
| 7 | J837-FC-ST8A | 1321 | 1319 | 1 | 59.5 | 300 |
| 8 | J837-FC-ST9A | 1517 | 1515 | 1 | 157.5 | 300 |
| 9 | J837-FC-ST10A | 1512 | 1510 | 1 | 155 | 300 |
| 10 | J837-FC-ST11A | 1498 | 1496 | 2 | 148 | 300 |
| 11 | J837-FC-ST12A | 2126 | 2124 | 1 | 162 | 300 |
| 12 | J837-FC-ST13A | 1593 | 1591 | 1 | 45.5 | 300 |
| 13 | J837-FC-ST14A | 1551 | 1549 | 1 | 174.5 | 300 |
| 14 | J837-FC-ST15A | 1527 | 1525 | 2 | 162.5 | 300 |
| 15 | J837-FC-ST16A | 1344 | 1342 | 1 | 71 | 300 |
| 16 | J837-FC-ST17A | 1364 | 1362 | 7 | 81 | 300 |
| 17 | J837-FC-ST18A | 1343 | 1341 | 1 | 70.5 | 300 |
| 18 | J837-FC-ST19A | 1525 | 1523 | 1 | 161.5 | 300 |
| 19 | J837-FC-ST20A | 1499 | 1497 | 1 | 148.5 | 300 |
| 20 | J837-FC-ST21A | 1521 | 1519 | 1 | 159.5 | 300 |
| 21 | J837-FC-ST22A | 1516 | 1514 | 1 | 157 | 300 |

| | | | | | | |
|----|-----|----|-----|-----------|----|----------------|
| 名稱 | 數據表 | 制圖 | 吳禕瑜 | 2019-4-26 | 修改 | |
| 材料 | | 復核 | | | 日期 | |
| 顏色 | | 批准 | | | 圖號 | J837-FC-ST1A-1 |

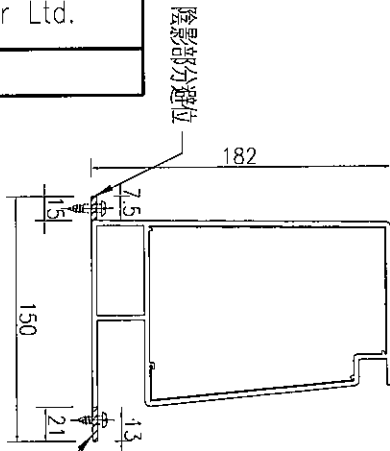


美特鋁質有限公司
MIDI Aluminium Fabricator Ltd.

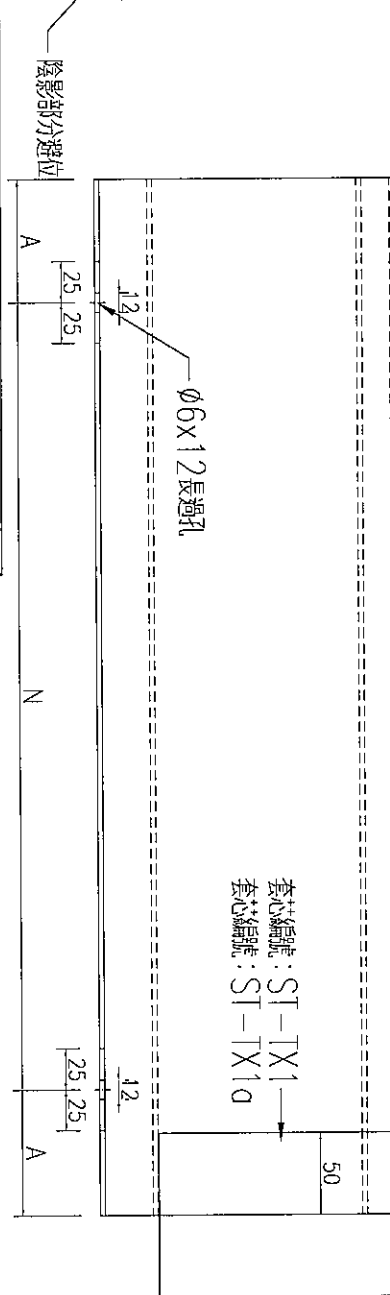
工程號 J-837 地盤 觀塘



SECTION A-A

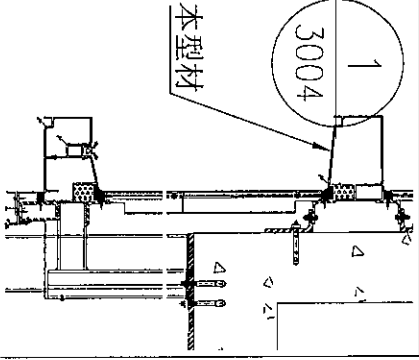


| 序号 | 编号 | 长度L | 数量 | A | N | | |
|----|---------------|------|----|-------|-----|---|---|
| 1 | J837-FC-ST24A | 1732 | 1 | 116 | 300 | x | 5 |
| 2 | J837-FC-ST25A | 1169 | 2 | 134.5 | 300 | x | 3 |
| 3 | J837-FC-ST26A | 1459 | 2 | 129.5 | 300 | x | 4 |
| 4 | J837-FC-ST27A | 1645 | 1 | 222.5 | 300 | x | 4 |
| 5 | J837-FC-ST28A | 1460 | 1 | 130 | 300 | x | 4 |
| 6 | J837-FC-ST29A | 1244 | 1 | 172 | 300 | x | 3 |
| 7 | J837-FC-ST30A | 1219 | 2 | 159.5 | 300 | x | 3 |
| 8 | J837-FC-ST31A | 1384 | 12 | 92 | 300 | x | 4 |
| 9 | J837-FC-ST74A | 1461 | 1 | 130.5 | 300 | x | 4 |
| 10 | J837-FC-ST75A | 1225 | 1 | 162.5 | 300 | x | 3 |
| 11 | J837-FC-ST77A | 1154 | 1 | 127 | 300 | x | 3 |
| 12 | J837-FC-ST78A | 1214 | 1 | 157 | 300 | x | 3 |
| 13 | J837-FC-ST80A | 1116 | 2 | 108 | 300 | x | 3 |
| 14 | J837-FC-ST81A | 1169 | 2 | 134.5 | 300 | x | 3 |
| 15 | J837-FC-ST82A | 1166 | 2 | 133 | 300 | x | 3 |
| 16 | | | | | | | |

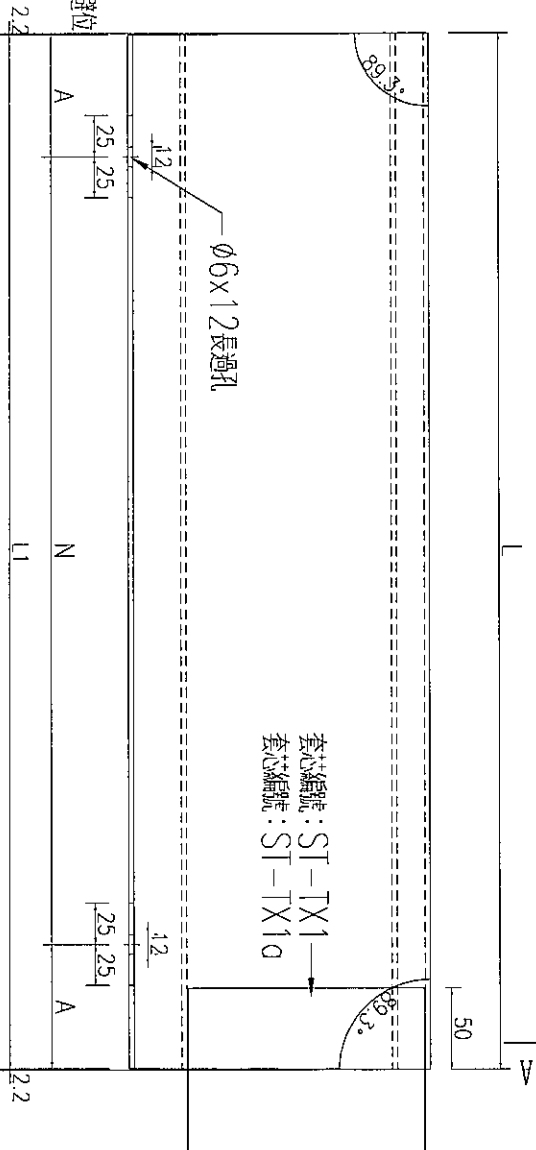
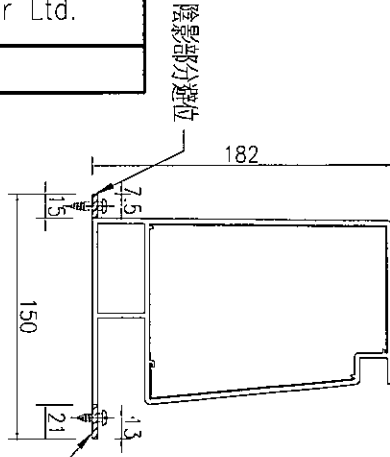


| | | | | | | | |
|----|-------------------|----|-----|-----------|----|---------------|--|
| 名稱 | 鋁飾條1加工圖 | 制圖 | 吳淦瑜 | 2019-4-26 | 修改 | | |
| 材料 | X85640 | 復核 | | | 日期 | | |
| 顏色 | EC-DG-W333007RY白色 | 批准 | | | 圖號 | J837-FC-ST24A | |

工程號 J-837 地盤 觀塘



SECTION A-A



數據表見: J837-FC-ST33A-1

| | | | | | | | |
|----|-------------------|----|-----|-----------|----|---------------|--|
| 名稱 | 鋁飾條1加工圖 | 制圖 | 吳禕瑜 | 2019-4-26 | 修改 | | |
| 材料 | X85640 | 復核 | | | 日期 | | |
| 顏色 | EC-DG-W333007RY白色 | 批准 | | | 圖號 | J837-FC-ST33A | |



美特鋁質有限公司
MIDI Aluminium Fabricator Ltd.

| | | | |
|-----|-------|----|----|
| 工程號 | J-837 | 地盤 | 觀塘 |
|-----|-------|----|----|

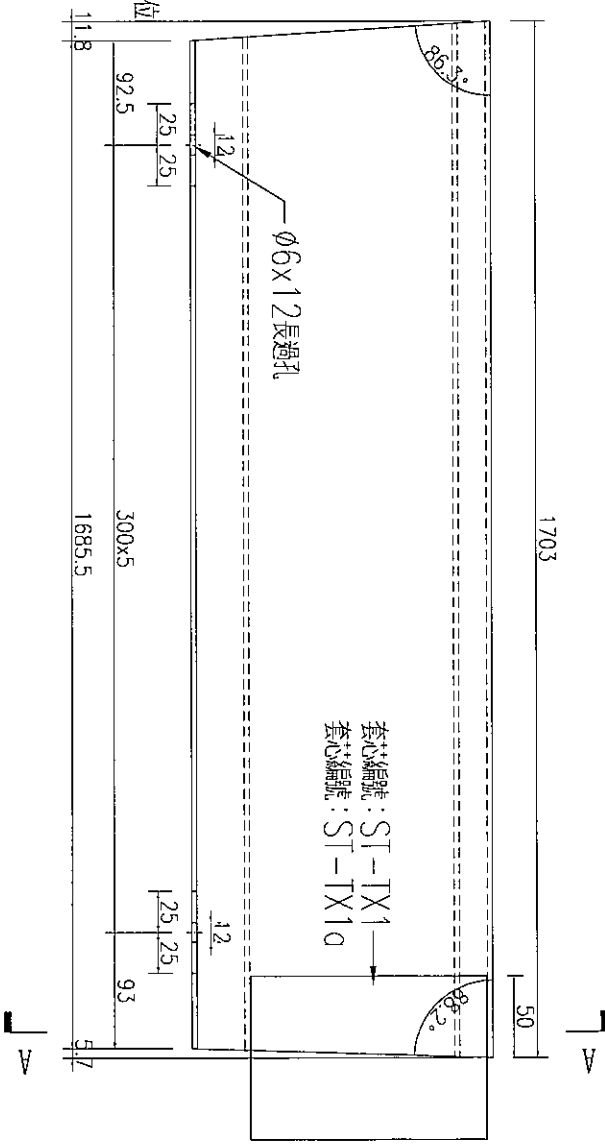
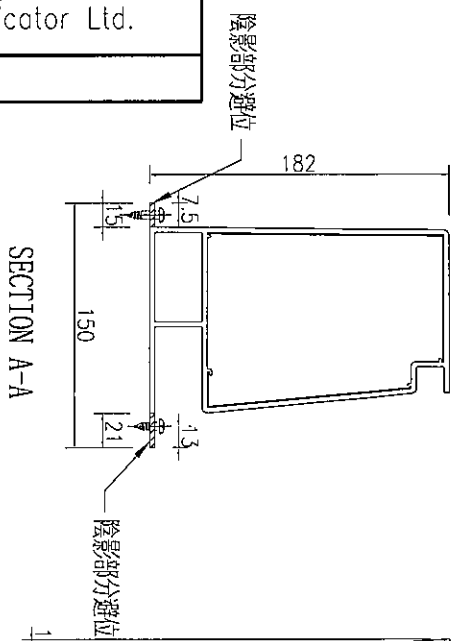
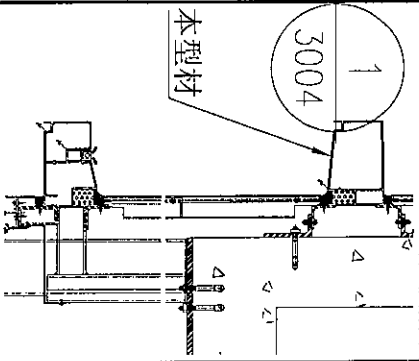
加工圖見：J837-FC-ST33A

| 序号 | 编号 | 长度L | 长度L1 | 数量 | A | N |
|----|---------------|------|--------|----|-------|-----|
| 1 | J837-FC-ST33A | 1379 | 1374.6 | 1 | 87.3 | 300 |
| 2 | J837-FC-ST34A | 2296 | 2291.6 | 1 | 95.8 | 300 |
| 3 | J837-FC-ST35A | 1526 | 1521.6 | 1 | 160.8 | 300 |
| 4 | J837-FC-ST36A | 1485 | 1480.6 | 1 | 140.3 | 300 |
| 5 | J837-FC-ST37A | 1573 | 1568.6 | 2 | 184.3 | 300 |
| 6 | J837-FC-ST38A | 1465 | 1460.6 | 1 | 130.3 | 300 |
| 7 | J837-FC-ST39A | 1526 | 1521.6 | 4 | 160.8 | 300 |
| 8 | J837-FC-ST41A | 1521 | 1516.6 | 1 | 158.3 | 300 |
| 9 | J837-FC-ST42A | 1710 | 1705.6 | 1 | 102.8 | 300 |
| 10 | J837-FC-ST43A | 1411 | 1406.6 | 1 | 103.3 | 300 |
| 11 | J837-FC-ST44A | 1727 | 1722.6 | 1 | 111.3 | 300 |
| 12 | J837-FC-ST45A | 1639 | 1634.6 | 1 | 67.3 | 300 |
| 13 | J837-FC-ST46A | 1530 | 1525.6 | 3 | 162.8 | 300 |
| 14 | J837-FC-ST47A | 1469 | 1464.6 | 1 | 132.3 | 300 |
| 15 | J837-FC-ST48A | 1591 | 1586.6 | 2 | 193.3 | 300 |
| 16 | J837-FC-ST49A | 1986 | 1981.6 | 1 | 90.8 | 300 |
| 17 | J837-FC-ST50A | 1423 | 1418.6 | 15 | 109.3 | 300 |
| 18 | J837-FC-ST51A | 1826 | 1821.6 | 1 | 160.8 | 300 |
| 19 | J837-FC-ST52A | 1275 | 1270.6 | 3 | 35.3 | 300 |
| 20 | J837-FC-ST53A | 1506 | 1501.6 | 1 | 150.8 | 300 |
| 21 | J837-FC-ST57A | 1430 | 1425.6 | 1 | 112.8 | 300 |
| 22 | J837-FC-ST58A | 1314 | 1309.6 | 1 | 54.8 | 300 |
| 23 | J837-FC-ST59A | 1583 | 1578.6 | 1 | 189.3 | 300 |
| 24 | J837-FC-ST60A | 1571 | 1566.6 | 1 | 183.3 | 300 |
| 25 | J837-FC-ST61A | 1337 | 1332.6 | 2 | 66.3 | 300 |
| 26 | J837-FC-ST62A | 1291 | 1286.6 | 1 | 43.3 | 300 |
| 27 | J837-FC-ST63A | 1253 | 1248.6 | 1 | 174.3 | 300 |
| 28 | J837-FC-ST64A | 1633 | 1628.6 | 1 | 64.3 | 300 |
| 29 | J837-FC-ST66A | 1217 | 1212.6 | 1 | 156.3 | 300 |
| 30 | J837-FC-ST67A | 1234 | 1229.6 | 1 | 164.8 | 300 |
| 31 | J837-FC-ST68A | 1267 | 1262.6 | 1 | 181.3 | 300 |
| 32 | J837-FC-ST69A | 1760 | 1755.6 | 2 | 127.8 | 300 |
| 33 | J837-FC-ST70A | 1368 | 1363.6 | 1 | 81.8 | 300 |
| 34 | J837-FC-ST72A | 1997 | 1992.6 | 1 | 96.3 | 300 |
| 35 | J837-FC-ST85A | 1417 | 1412.6 | 6 | 106.3 | 300 |

| | | | | | | |
|----|-----|----|-----|-----------|----|-----------------|
| 名稱 | 數據表 | 制圖 | 吳禕瑜 | 2019-4-26 | 修改 | |
| 材料 | | 復核 | | | 日期 | |
| 顏色 | | 批准 | | | 圖號 | J837-FC-ST33A-1 |


美特鋁質 有限公司
 MIDI Aluminium Fabricator Ltd.

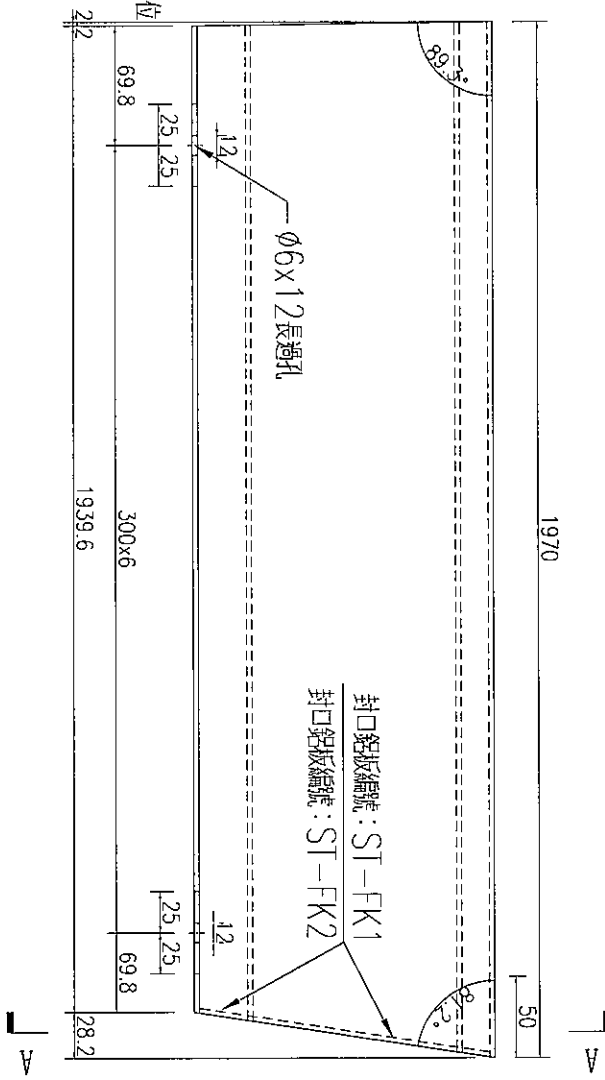
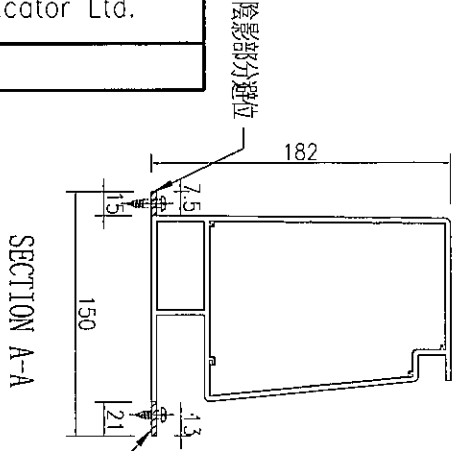
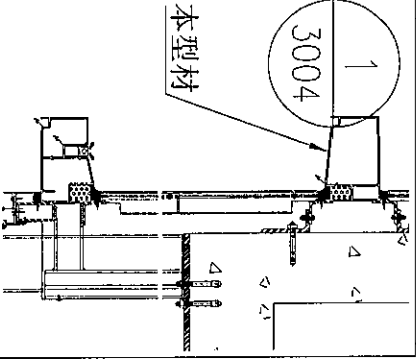
工程號: J-837 地盤: 觀塘



| | |
|----|---|
| 數量 | 1 |
|----|---|

| | | | | | | |
|----|-------------------|----|-----|-----------|----|---------------|
| 名稱 | 鋁飾條1加工圖 | 制圖 | 吳禕瑜 | 2019-4-26 | 修改 | |
| 材料 | X85640 | 復核 | | | 日期 | |
| 顏色 | EC-DG-W333007RY白色 | 批准 | | | 圖號 | J837-FC-ST40A |

工程號 J-837 地盤 觀塘



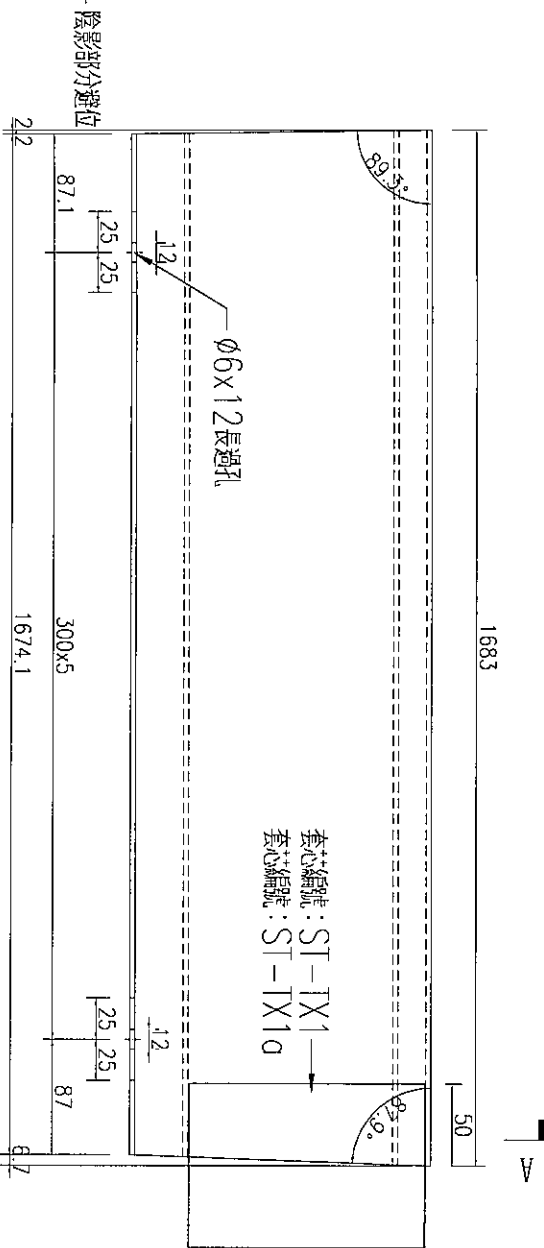
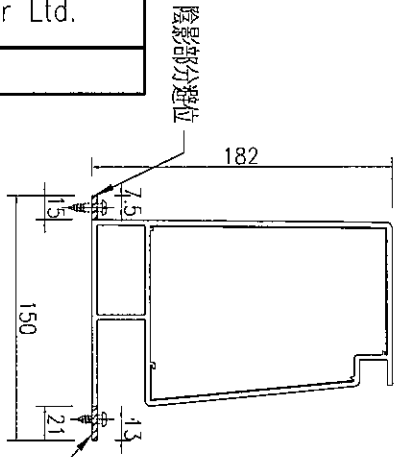
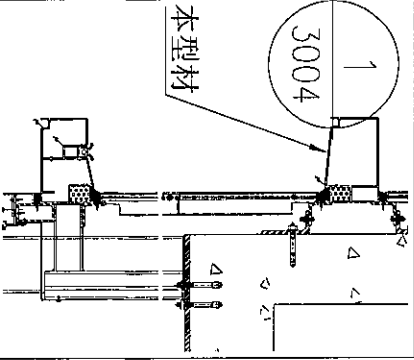
注：此型材為邊位，需地盤複數后方能加工

可加工

| | |
|----|---|
| 數量 | 1 |
|----|---|

| | | | | | | |
|----|-------------------|----|-----|-----------|----|---------------|
| 名稱 | 鋁飾條1加工圖 | 制圖 | 吳禕瑜 | 2019-4-26 | 修改 | |
| 材料 | X85640 | 復核 | | | 日期 | |
| 顏色 | EC-DG-W333007RY白色 | 批准 | | | 圖號 | J837-FC-ST56A |

工程號 J-837 地盤 觀塘

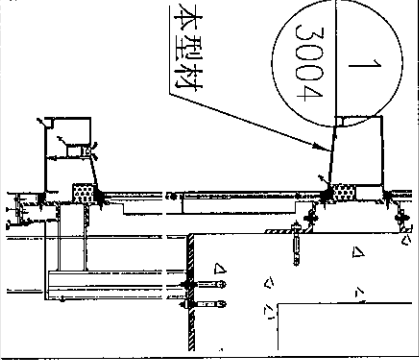


| | |
|----|---|
| 數量 | 1 |
|----|---|

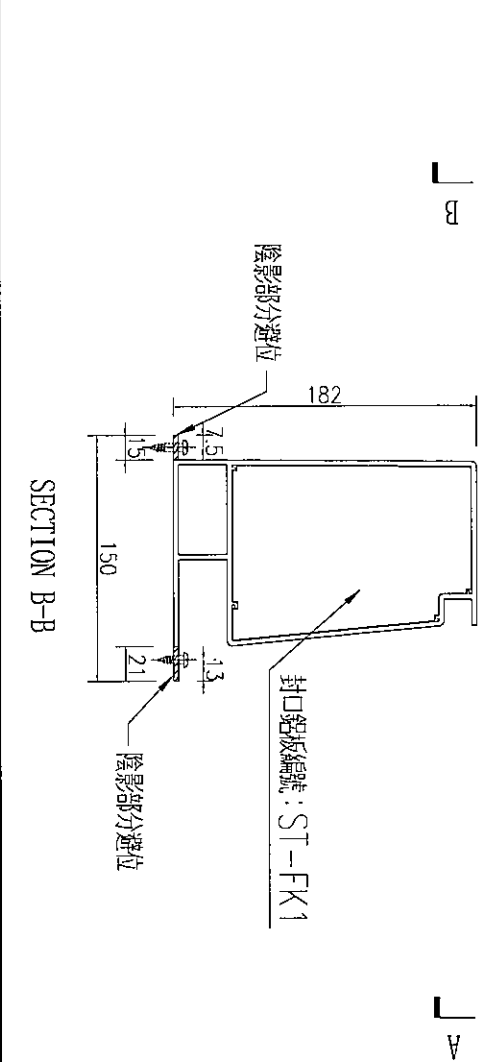
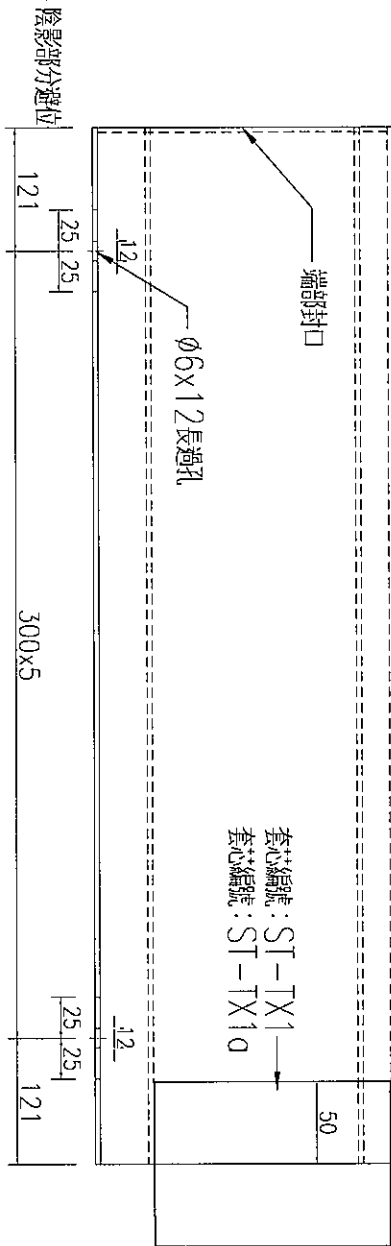
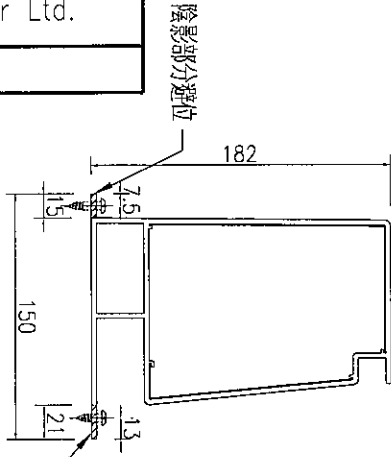
| | | | | | | |
|----|-------------------|----|-----|-----------|----|---------------|
| 名稱 | 鋁飾條1加工圖 | 制圖 | 吳禕瑜 | 2019-4-26 | 修改 | |
| 材料 | X85640 | 復核 | | | 日期 | |
| 顏色 | EC-DG-W333007RY白色 | 批准 | | | 圖號 | J837-FC-ST65A |



工程號 J-837 地盤 觀塘



SECTION A-A



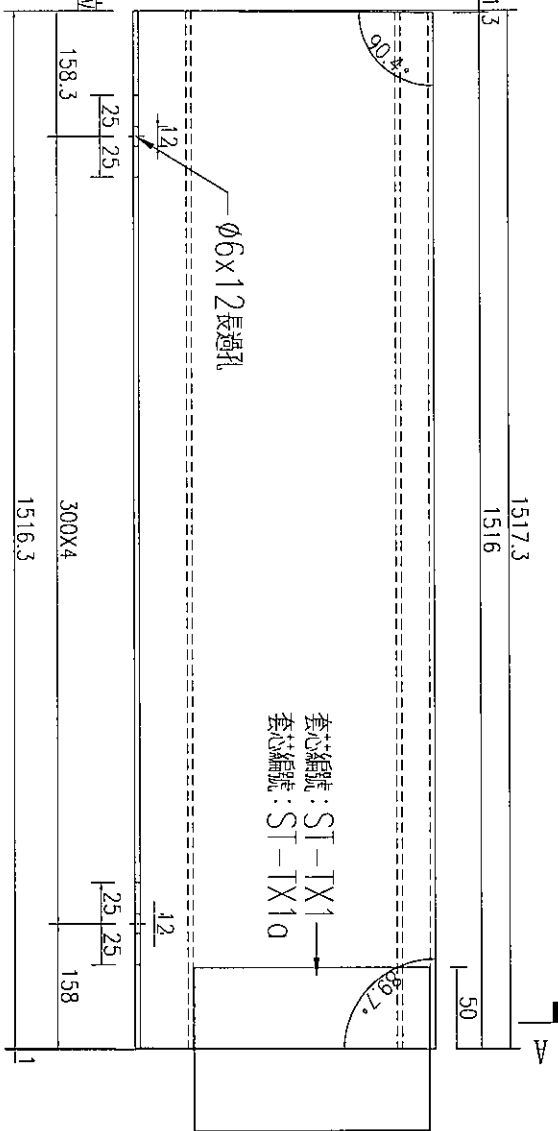
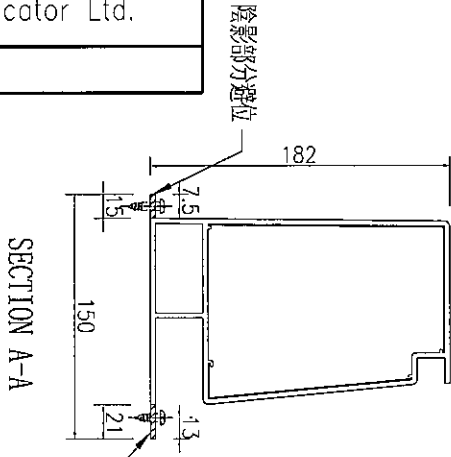
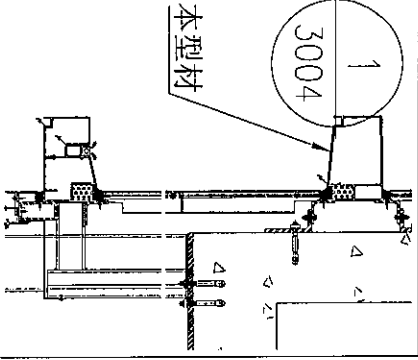
| | |
|----|---|
| 數量 | 1 |
|----|---|

| | | | | | | |
|----|-------------------|----|-----|-----------|----|---------------|
| 名稱 | 鋁飾條1加工圖 | 制圖 | 吳禕瑜 | 2019-4-26 | 修改 | |
| 材料 | X85640 | 復核 | | | 日期 | |
| 顏色 | EC-DG-W333007RY白色 | 批准 | | | 圖號 | J837-FC-ST83A |



美特鋁質 有限公司
MIDI Aluminium Fabricator Ltd.

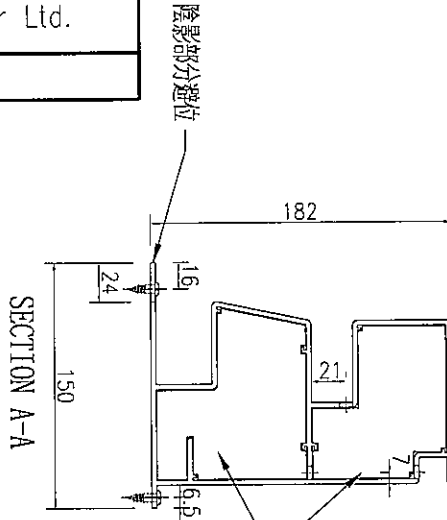
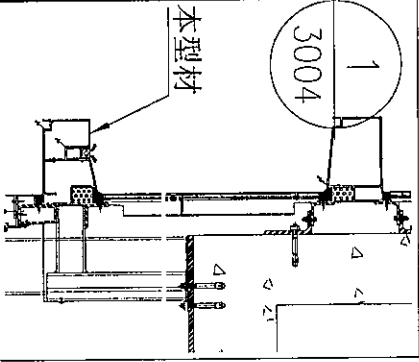
工程號 J-837 地盤 觀塘



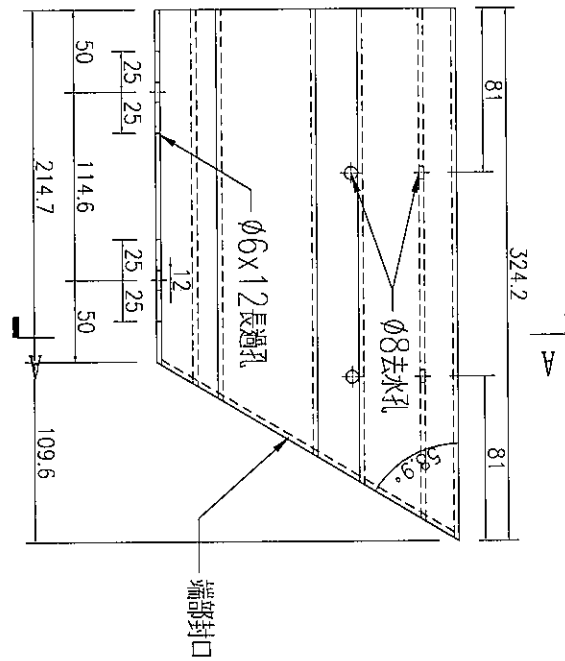
| | |
|----|---|
| 數量 | 1 |
|----|---|

| | | | | | | |
|----|-------------------|----|-----|-----------|----|---------------|
| 名稱 | 鋁飾條1加工圖 | 制圖 | 吳禕瑜 | 2019-4-26 | 修改 | |
| 材料 | X85640 | 復核 | | | 日期 | |
| 顏色 | EC-DG-W333007RY白色 | 批准 | | | 圖號 | J837-FC-ST84A |

工程號 J-837 地盤 觀塘



封口鋁板編號: ST-FK3
封口鋁板編號: ST-FK4



注: 此型材為邊位, 需地盤復數后才能加工

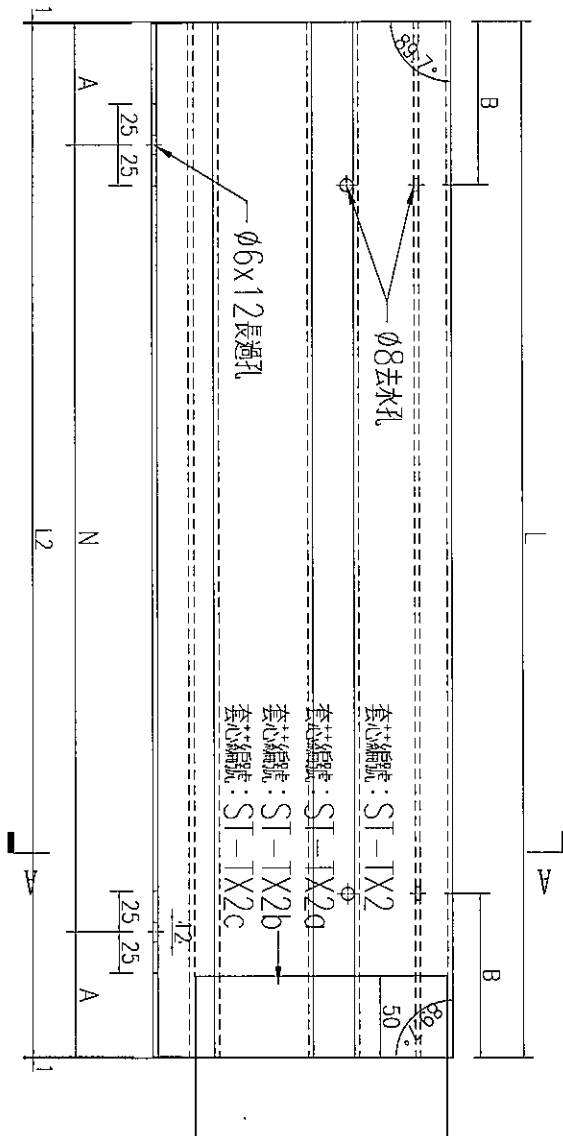
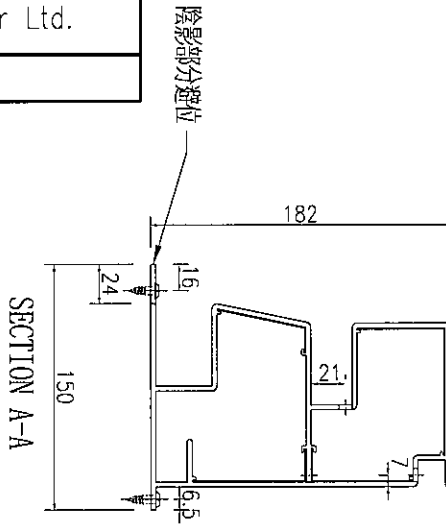
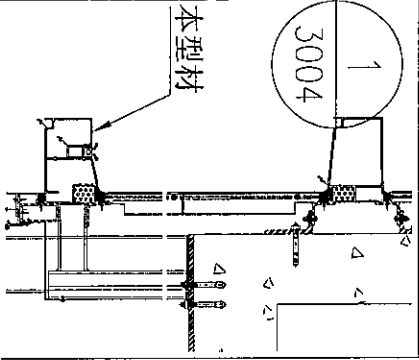
可加工

| | |
|----|---|
| 數量 | 1 |
|----|---|

| | | | | | | |
|----|-------------------|----|-----|-----------|----|---------------|
| 名稱 | 鋁飾條2加工圖 | 制圖 | 吳禕瑜 | 2019-4-26 | 修改 | |
| 材料 | X85641 | 復核 | | | 日期 | |
| 顏色 | EC-DG-W333007RY白色 | 批准 | | | 圖號 | J837-FC-ST86B |



| | | | |
|-----|-------|----|----|
| 工程號 | J-837 | 地盤 | 觀塘 |
|-----|-------|----|----|



數據表見: J837-FC-ST1B--1

| | | | | | | | |
|----|-------------------|----|-----|-----------|----|--------------|--|
| 名稱 | 鋁飾條2加工圖 | 制圖 | 吳禕瑜 | 2019-4-26 | 修改 | | |
| 材料 | X85641 | 復核 | | | 日期 | | |
| 顏色 | EC-DG-W333007RY白色 | 批准 | | | 圖號 | J837-FC-ST1B | |



美特鋁質 有限公司
MIDI Aluminium Fabricator Ltd.

工程號 J-837 地盤 觀塘

加工圖見：J837-FC-ST1B

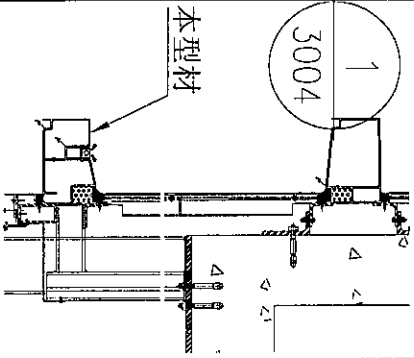
| 序号 | 编号 | 长度L | 长度L2 | 数量 | A | N | B |
|----|---------------|------|------|----|-------|-----|--------|
| 1 | J837-FC-ST1B | 1424 | 1422 | 13 | 111 | 300 | 356 |
| 2 | J837-FC-ST3B | 1422 | 1420 | 1 | 110 | 300 | 355.5 |
| 3 | J837-FC-ST4B | 2033 | 2031 | 1 | 115.5 | 300 | 508.25 |
| 4 | J837-FC-ST5B | 1514 | 1512 | 2 | 156 | 300 | 378.5 |
| 5 | J837-FC-ST6B | 1526 | 1524 | 2 | 162 | 300 | 381.5 |
| 6 | J837-FC-ST7B | 1342 | 1340 | 2 | 70 | 300 | 335.5 |
| 7 | J837-FC-ST8B | 1321 | 1319 | 1 | 59.5 | 300 | 330.25 |
| 8 | J837-FC-ST9B | 1517 | 1515 | 1 | 157.5 | 300 | 379.25 |
| 9 | J837-FC-ST10B | 1512 | 1510 | 1 | 155 | 300 | 378 |
| 10 | J837-FC-ST11B | 1498 | 1496 | 2 | 148 | 300 | 374.5 |
| 11 | J837-FC-ST12B | 2126 | 2124 | 1 | 162 | 300 | 531.5 |
| 12 | J837-FC-ST13B | 1593 | 1591 | 1 | 45.5 | 300 | 398.25 |
| 13 | J837-FC-ST14B | 1551 | 1549 | 1 | 174.5 | 300 | 387.75 |
| 14 | J837-FC-ST15B | 1527 | 1525 | 2 | 162.5 | 300 | 381.75 |
| 15 | J837-FC-ST16B | 1344 | 1342 | 1 | 71 | 300 | 336 |
| 16 | J837-FC-ST17B | 1364 | 1362 | 7 | 81 | 300 | 341 |
| 17 | J837-FC-ST18B | 1343 | 1341 | 1 | 70.5 | 300 | 335.75 |
| 18 | J837-FC-ST19B | 1525 | 1523 | 1 | 161.5 | 300 | 381.25 |
| 19 | J837-FC-ST20B | 1499 | 1497 | 1 | 148.5 | 300 | 374.75 |
| 20 | J837-FC-ST21B | 1521 | 1519 | 1 | 159.5 | 300 | 380.25 |
| 21 | J837-FC-ST22B | 1516 | 1514 | 1 | 157 | 300 | 379 |

| | | | | | | |
|----|-----|----|-----|-----------|----|----------------|
| 名稱 | 數據表 | 制圖 | 吳禕瑜 | 2019-4-26 | 修改 | |
| 材料 | | 復核 | | | 日期 | |
| 顏色 | | 批准 | | | 圖號 | J837-FC-ST1B-1 |

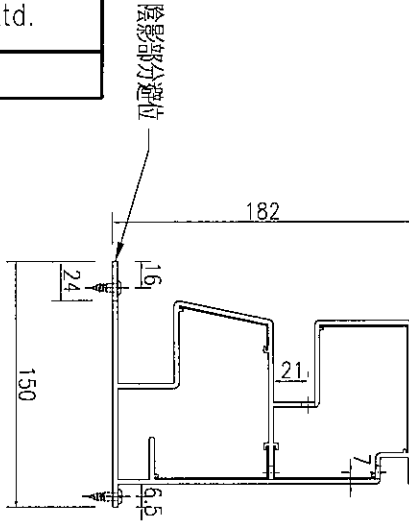


美特鋁質 有限公司
MIDI Aluminium Fabricator Ltd.

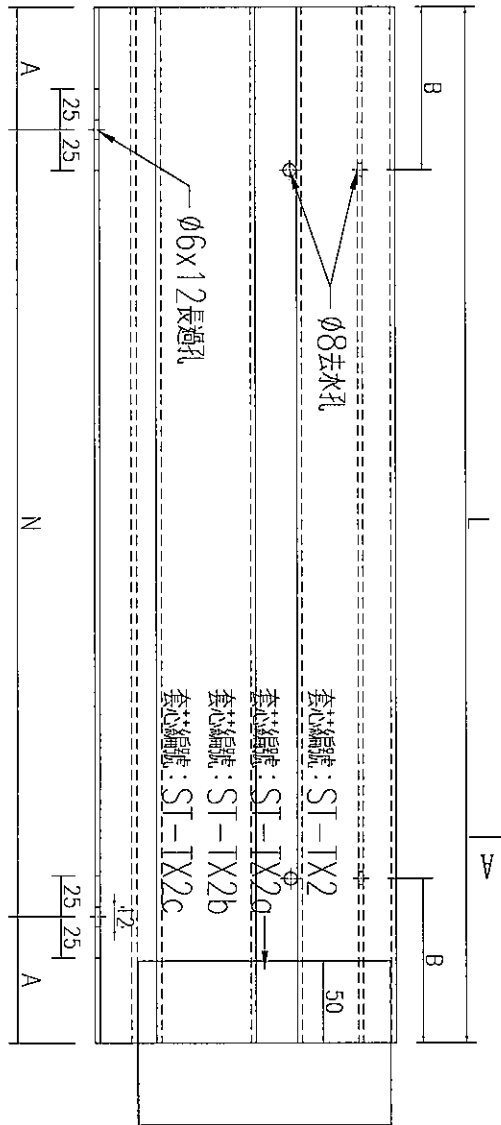
| | | | |
|-----|-------|----|----|
| 工程號 | J-837 | 地盤 | 觀塘 |
|-----|-------|----|----|



SECTION A-A



| 序号 | 编号 | 长度L | 数量 | A | N | B |
|----|---------------|------|----|-------|-----|--------|
| 1 | J837-FC-ST24B | 1732 | 1 | 116 | 300 | 433 |
| 2 | J837-FC-ST25B | 1169 | 2 | 134.5 | 300 | 292.25 |
| 3 | J837-FC-ST26B | 1459 | 2 | 129.5 | 300 | 364.75 |
| 4 | J837-FC-ST27B | 1645 | 1 | 222.5 | 300 | 411.25 |
| 5 | J837-FC-ST28B | 1460 | 1 | 130 | 300 | 365 |
| 6 | J837-FC-ST29B | 1244 | 1 | 172 | 300 | 311 |
| 7 | J837-FC-ST30B | 1219 | 2 | 159.5 | 300 | 304.75 |
| 8 | J837-FC-ST31B | 1384 | 12 | 92 | 300 | 346 |
| 9 | J837-FC-ST74B | 1461 | 1 | 130.5 | 300 | 365.25 |
| 10 | J837-FC-ST75B | 1225 | 1 | 162.5 | 300 | 306.25 |
| 11 | J837-FC-ST77B | 1154 | 1 | 127 | 300 | 288.5 |
| 12 | J837-FC-ST78B | 1214 | 1 | 157 | 300 | 303.5 |
| 13 | J837-FC-ST80B | 1116 | 2 | 108 | 300 | 279 |
| 14 | J837-FC-ST81B | 1169 | 2 | 134.5 | 300 | 292.25 |
| 15 | J837-FC-ST82B | 1166 | 2 | 133 | 300 | 291.5 |
| 16 | | | | | | |

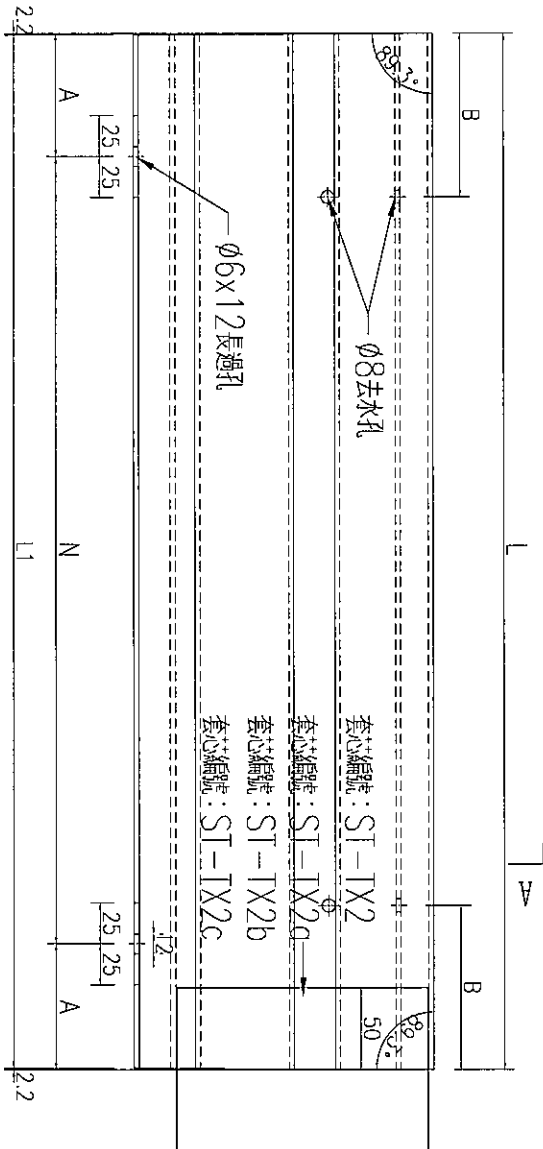
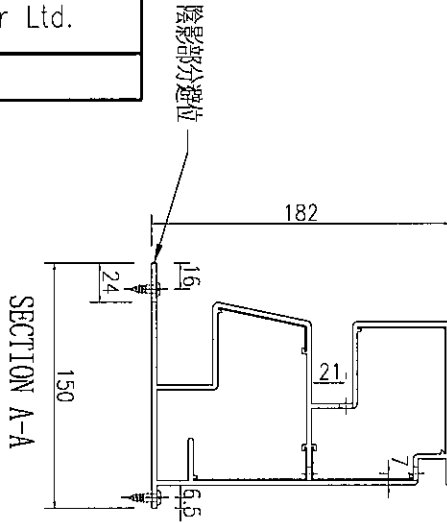
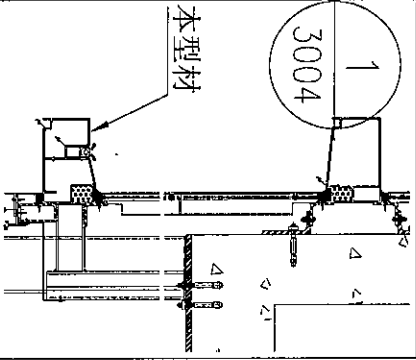


| | | | | | | |
|----|-------------------|----|-----|-----------|----|---------------|
| 名稱 | 鋁飾條2加工圖 | 制圖 | 吳禕瑜 | 2019-4-26 | 修改 | |
| 材料 | X85641 | 復核 | | | 日期 | |
| 顏色 | EC-DG-W333007RY白色 | 批准 | | | 圖號 | J837-FC-ST24B |



美特鋁質 有限公司
MIDI Aluminium Fabricator Ltd.

工程號 J-837 地盤 觀塘



數據表見：J837-FC-ST33B-1

| | | | | | | | |
|----|-------------------|----|-----|-----------|----|---------------|--|
| 名稱 | 鋁飾條2加工圖 | 制圖 | 吳禕瑜 | 2019-4-26 | 修改 | | |
| 材料 | X85641 | 復核 | | | 日期 | | |
| 顏色 | EC-DG-W333007RY白色 | 批准 | | | 圖號 | J837-FC-ST33B | |



加工圖見：J837-FC-ST33B

| | | | |
|-----|-------|----|----|
| 工程號 | J-837 | 地盤 | 觀塘 |
|-----|-------|----|----|

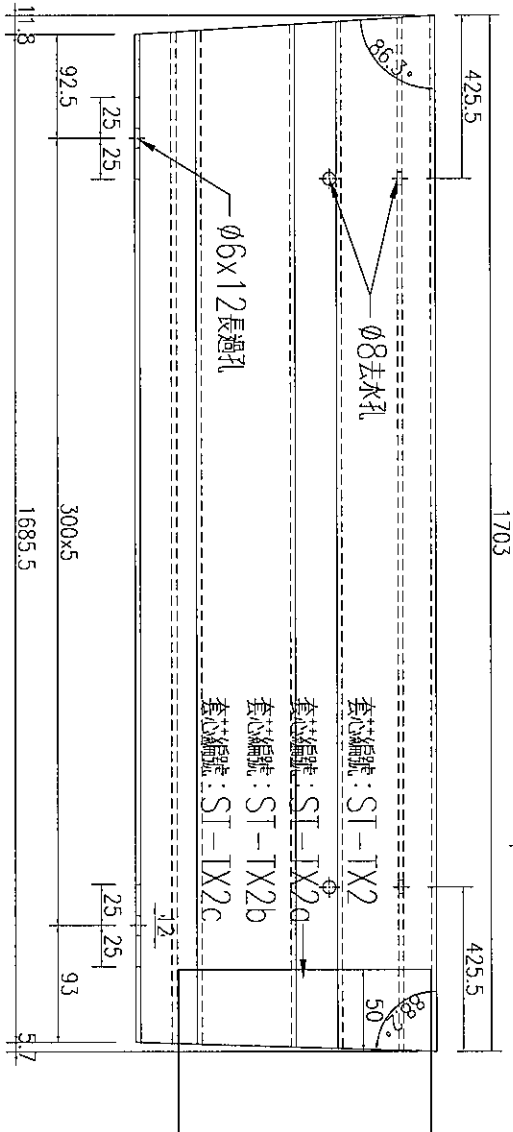
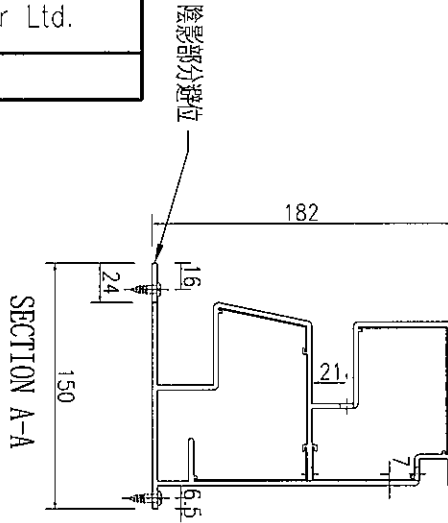
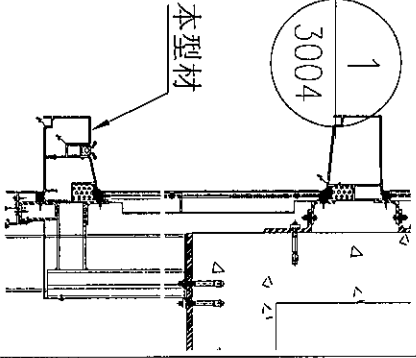
| 序号 | 编号 | 长度L | 长度L1 | 数量 | A | N | B |
|----|---------------|------|------|----|-------|-----|-------|
| 1 | J837-FC-ST33B | 1379 | 1375 | 1 | 87.3 | 300 | 344.8 |
| 2 | J837-FC-ST34B | 2296 | 2292 | 1 | 95.8 | 300 | 574.0 |
| 3 | J837-FC-ST35B | 1526 | 1522 | 1 | 160.8 | 300 | 381.5 |
| 4 | J837-FC-ST36B | 1485 | 1481 | 1 | 140.3 | 300 | 371.3 |
| 5 | J837-FC-ST37B | 1573 | 1569 | 2 | 184.3 | 300 | 393.3 |
| 6 | J837-FC-ST38B | 1465 | 1461 | 1 | 130.3 | 300 | 366.3 |
| 7 | J837-FC-ST39B | 1526 | 1522 | 4 | 160.8 | 300 | 381.5 |
| 8 | J837-FC-ST41B | 1521 | 1517 | 1 | 158.3 | 300 | 380.3 |
| 9 | J837-FC-ST42B | 1710 | 1706 | 1 | 102.8 | 300 | 427.5 |
| 10 | J837-FC-ST43B | 1411 | 1407 | 1 | 103.3 | 300 | 352.8 |
| 11 | J837-FC-ST44B | 1727 | 1723 | 1 | 111.3 | 300 | 431.8 |
| 12 | J837-FC-ST45B | 1639 | 1635 | 1 | 67.3 | 300 | 409.8 |
| 13 | J837-FC-ST46B | 1530 | 1526 | 3 | 162.8 | 300 | 382.5 |
| 14 | J837-FC-ST47B | 1469 | 1465 | 1 | 132.3 | 300 | 367.3 |
| 15 | J837-FC-ST48B | 1591 | 1587 | 2 | 193.3 | 300 | 397.8 |
| 16 | J837-FC-ST49B | 1986 | 1982 | 1 | 90.8 | 300 | 496.5 |
| 17 | J837-FC-ST50B | 1423 | 1419 | 15 | 109.3 | 300 | 355.8 |
| 18 | J837-FC-ST51B | 1826 | 1822 | 1 | 160.8 | 300 | 456.5 |
| 19 | J837-FC-ST52B | 1275 | 1271 | 3 | 35.3 | 300 | 318.8 |
| 20 | J837-FC-ST53B | 1506 | 1502 | 1 | 150.8 | 300 | 376.5 |
| 21 | J837-FC-ST57B | 1430 | 1426 | 1 | 112.8 | 300 | 357.5 |
| 22 | J837-FC-ST58B | 1314 | 1310 | 1 | 54.8 | 300 | 328.5 |
| 23 | J837-FC-ST59B | 1583 | 1579 | 1 | 189.3 | 300 | 395.8 |
| 24 | J837-FC-ST60B | 1571 | 1567 | 1 | 183.3 | 300 | 392.8 |
| 25 | J837-FC-ST61B | 1337 | 1333 | 2 | 66.3 | 300 | 334.3 |
| 26 | J837-FC-ST62B | 1291 | 1287 | 1 | 43.3 | 300 | 322.8 |
| 27 | J837-FC-ST63B | 1253 | 1249 | 1 | 174.3 | 300 | 313.3 |
| 28 | J837-FC-ST64B | 1633 | 1629 | 1 | 64.3 | 300 | 408.3 |
| 29 | J837-FC-ST66B | 1217 | 1213 | 1 | 156.3 | 300 | 304.3 |
| 30 | J837-FC-ST67B | 1234 | 1230 | 1 | 164.8 | 300 | 308.5 |
| 31 | J837-FC-ST68B | 1267 | 1263 | 1 | 181.3 | 300 | 316.8 |
| 32 | J837-FC-ST69B | 1760 | 1756 | 2 | 127.8 | 300 | 440.0 |
| 33 | J837-FC-ST70B | 1368 | 1364 | 1 | 81.8 | 300 | 342.0 |
| 34 | J837-FC-ST72B | 1997 | 1993 | 1 | 96.3 | 300 | 499.3 |
| 35 | J837-FC-ST85B | 1417 | 1413 | 6 | 106.3 | 300 | 354.3 |

| | | | | | | |
|----|-----|----|-----|-----------|----|-----------------|
| 名稱 | 數據表 | 制圖 | 吳禕瑜 | 2019-4-26 | 修改 | |
| 材料 | | 復核 | | | 日期 | |
| 顏色 | | 批准 | | | 圖號 | J837-FC-ST33B-1 |



美特鋁質 有限公司
MIDI Aluminium Fabricator Ltd.

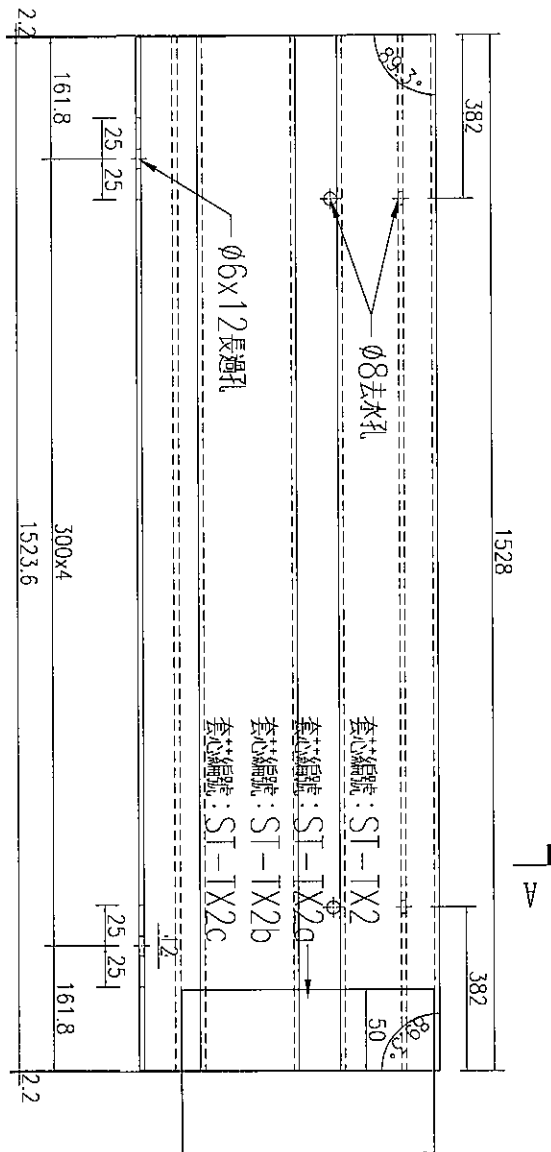
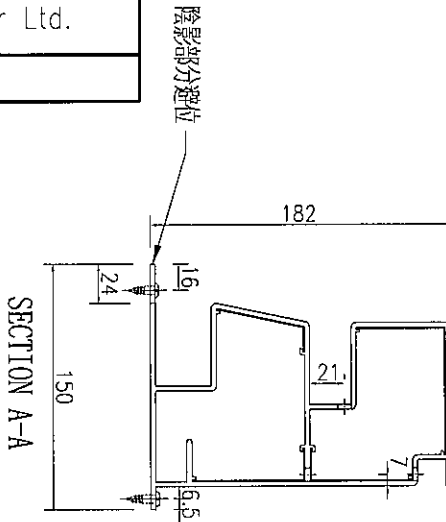
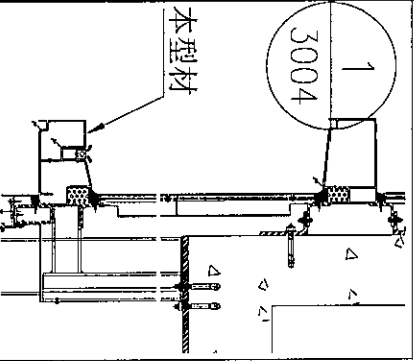
工程號 J-837 地盤 觀塘



| | |
|----|---|
| 數量 | 1 |
|----|---|

| | | | | | | |
|----|-------------------|----|-----|-----------|----|---------------|
| 名稱 | 鋁飾條2加工圖 | 制圖 | 吳禕瑜 | 2019-4-26 | 修改 | |
| 材料 | X85641 | 復核 | | | 日期 | |
| 顏色 | EC-DG-W333007RY白色 | 批准 | | | 圖號 | J837-FC-ST40B |

| | | | |
|-----|-------|----|----|
| 工程號 | J-837 | 地盤 | 觀塘 |
|-----|-------|----|----|



注：此型材為變位，不確定做法，暫停加工

OK 加工

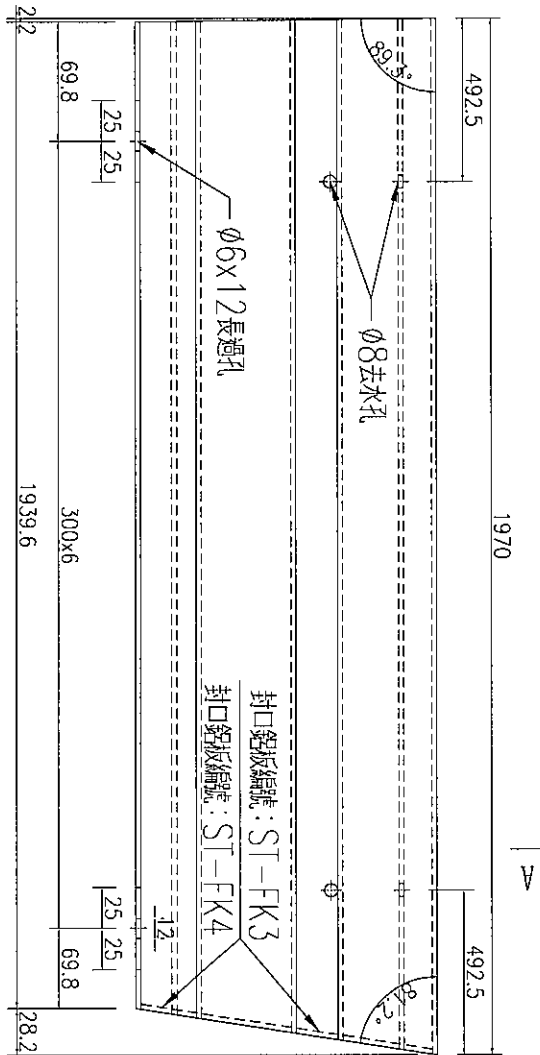
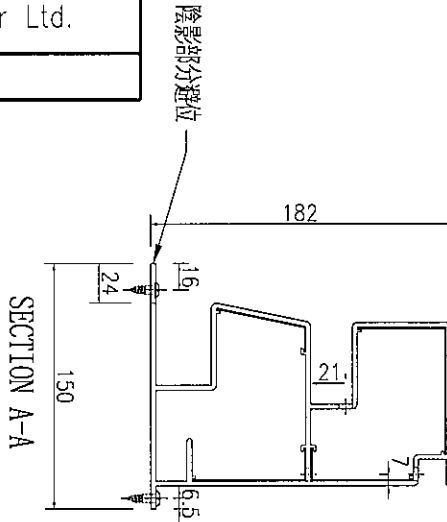
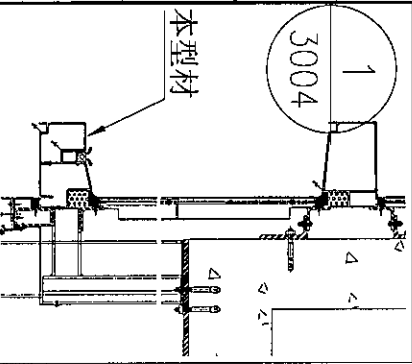
| | |
|----|---|
| 數量 | 1 |
|----|---|

| | | | | | | |
|----|-------------------|----|-----|-----------|----|---------------|
| 名稱 | 鋁飾條2加工圖 | 制圖 | 吳禕瑜 | 2019-4-26 | 修改 | |
| 材料 | X85641 | 復核 | | | 日期 | |
| 顏色 | EC-DG-W333007RY白色 | 批准 | | | 圖號 | J837-FC-ST54B |

注：此型材為邊位，需地盤複數后方能加工

可加工

| | | | |
|-----|-------|----|----|
| 工程號 | J-837 | 地盤 | 觀塘 |
|-----|-------|----|----|



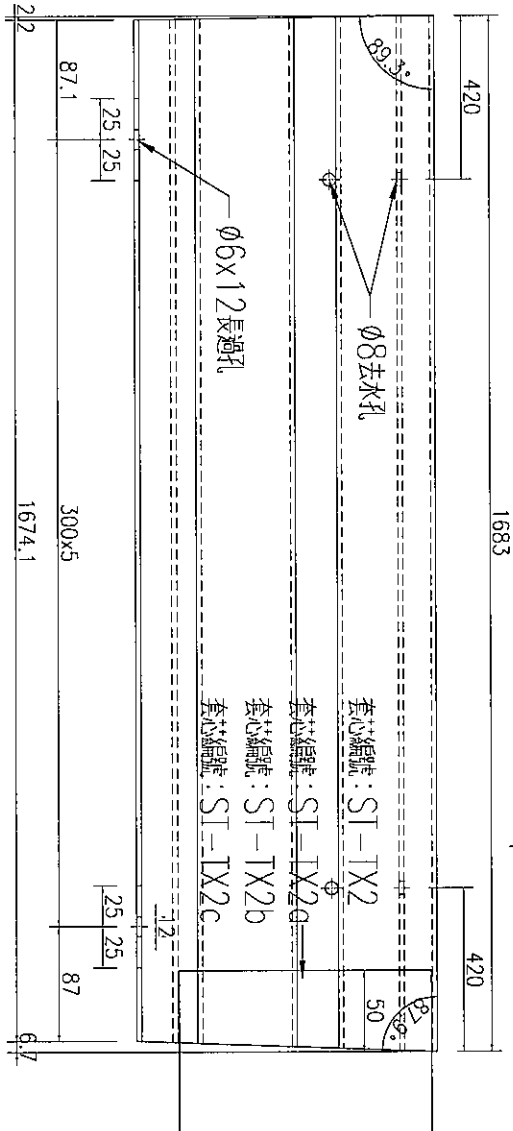
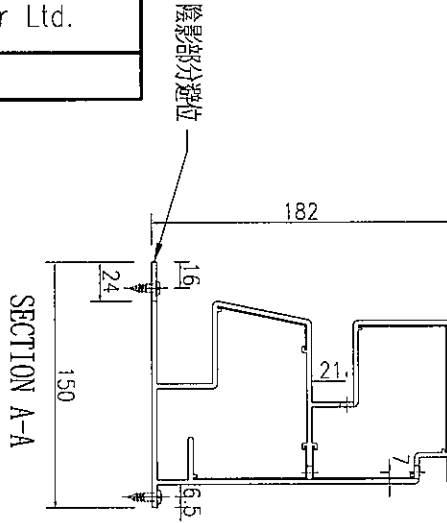
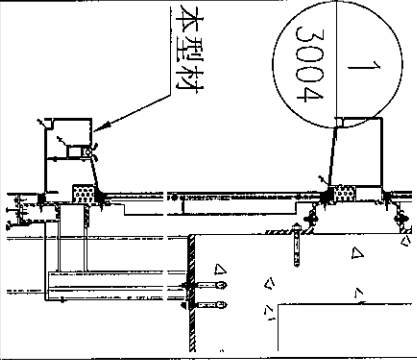
| | |
|----|---|
| 數量 | 1 |
|----|---|

| | | | | | | |
|----|-------------------|----|-----|-----------|----|---------------|
| 名稱 | 鋁飾條2加工圖 | 制圖 | 吳禕瑜 | 2019-4-26 | 修改 | |
| 材料 | X85641 | 復核 | | | 日期 | |
| 顏色 | EC-DG-W333007RY白色 | 批准 | | | 圖號 | J837-FC-ST56B |



美特鋁質 有限公司
MIDI Aluminium Fabricator Ltd.

工程號 J-837 地盤 觀塘



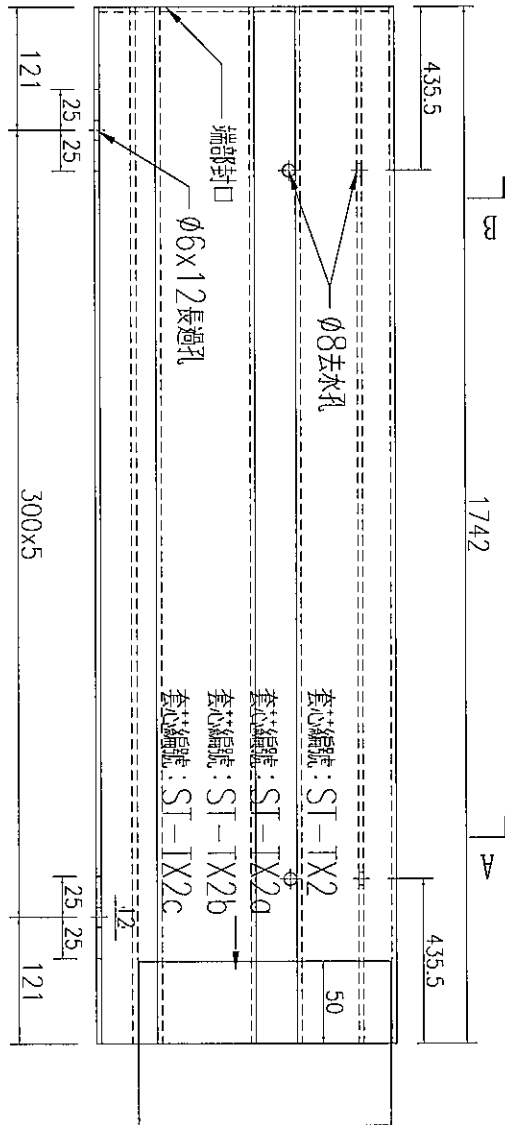
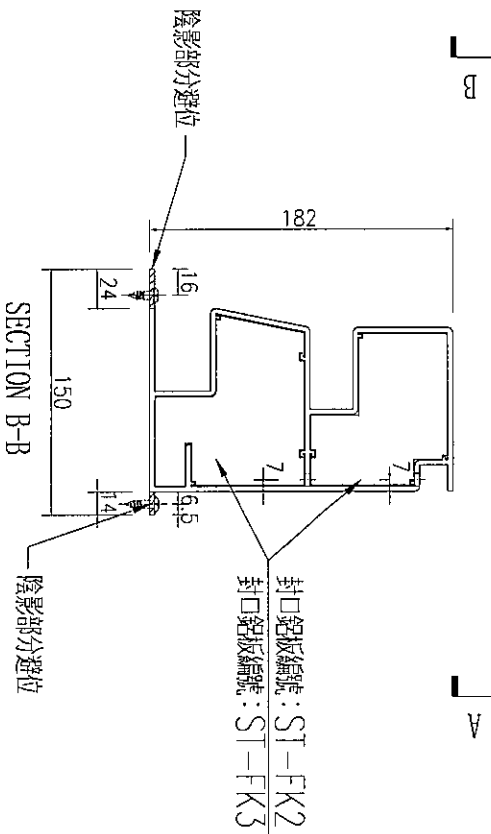
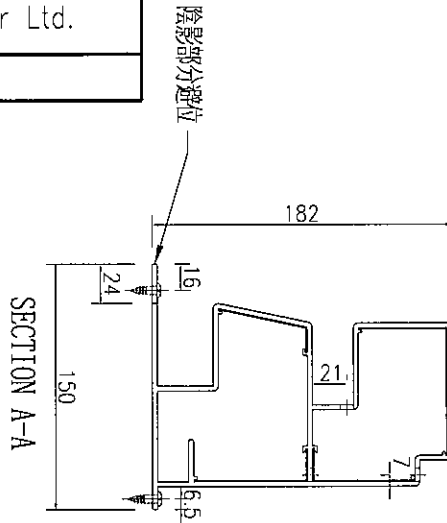
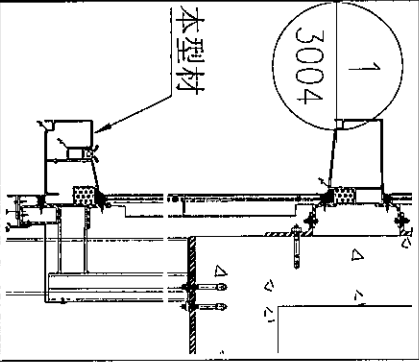
| | |
|----|---|
| 數量 | 1 |
|----|---|

| | | | | | | |
|----|-------------------|----|-----|-----------|----|---------------|
| 名稱 | 鋁飾條2加工圖 | 制圖 | 吳偉瑜 | 2019-4-26 | 修改 | |
| 材料 | X85641 | 復核 | | | 日期 | |
| 顏色 | EC-DG-W333007RY白色 | 批准 | | | 圖號 | J837-FC-ST65B |



美特鋁質 有限公司
MIDI Aluminium Fabricator Ltd.

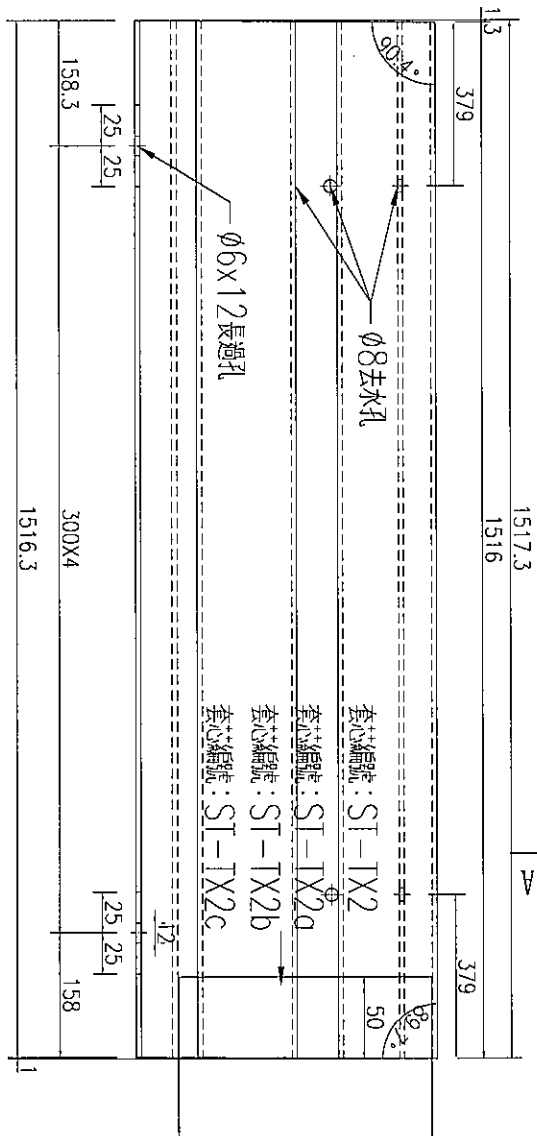
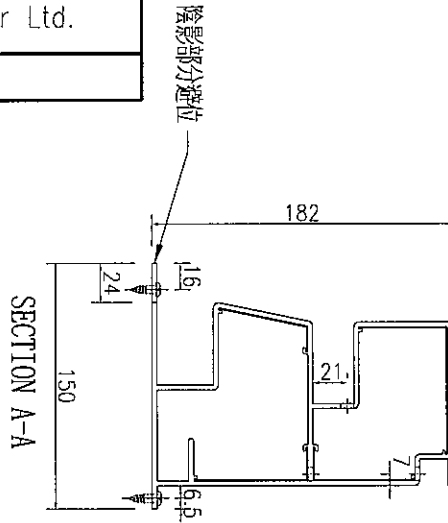
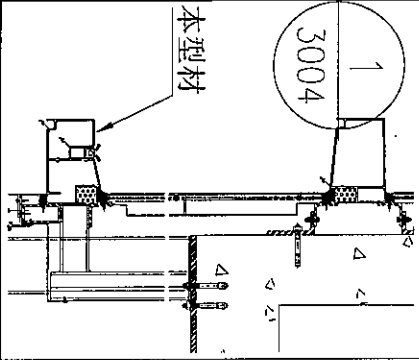
工程號 J-837 地盤 觀塘



| | |
|----|---|
| 數量 | 1 |
|----|---|

| | | | | | | |
|----|-------------------|----|-----|-----------|----|---------------|
| 名稱 | 鋁飾條2加工圖 | 制圖 | 吳緯瑜 | 2019-4-26 | 修改 | |
| 材料 | X85641 | 復核 | | | 日期 | |
| 顏色 | EC-DG-W333007RY白色 | 批准 | | | 圖號 | J837-FC-ST83B |

工程號 J-837 地盤 觀塘



| | |
|----|---|
| 數量 | 1 |
|----|---|

| | | | | | | |
|----|-------------------|----|-----|-----------|----|---------------|
| 名稱 | 鋁飾條2加工圖 | 制圖 | 吳偉瑜 | 2019-4-26 | 修改 | |
| 材料 | X85641 | 復核 | | | 日期 | |
| 顏色 | EC-DG-W333007RY白色 | 批准 | | | 圖號 | J837-FC-ST84B |

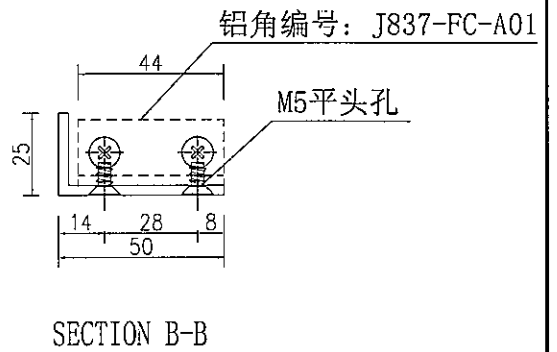
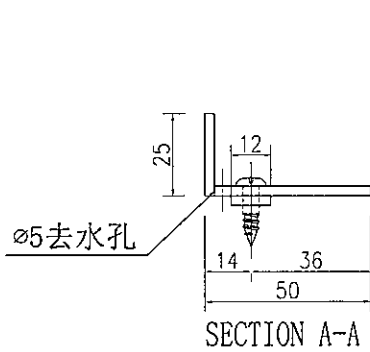
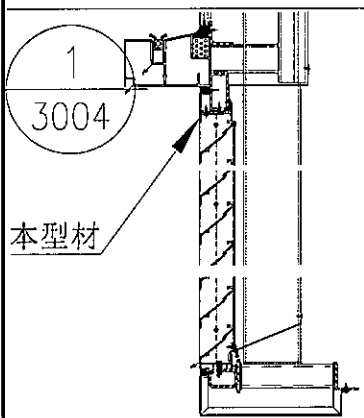
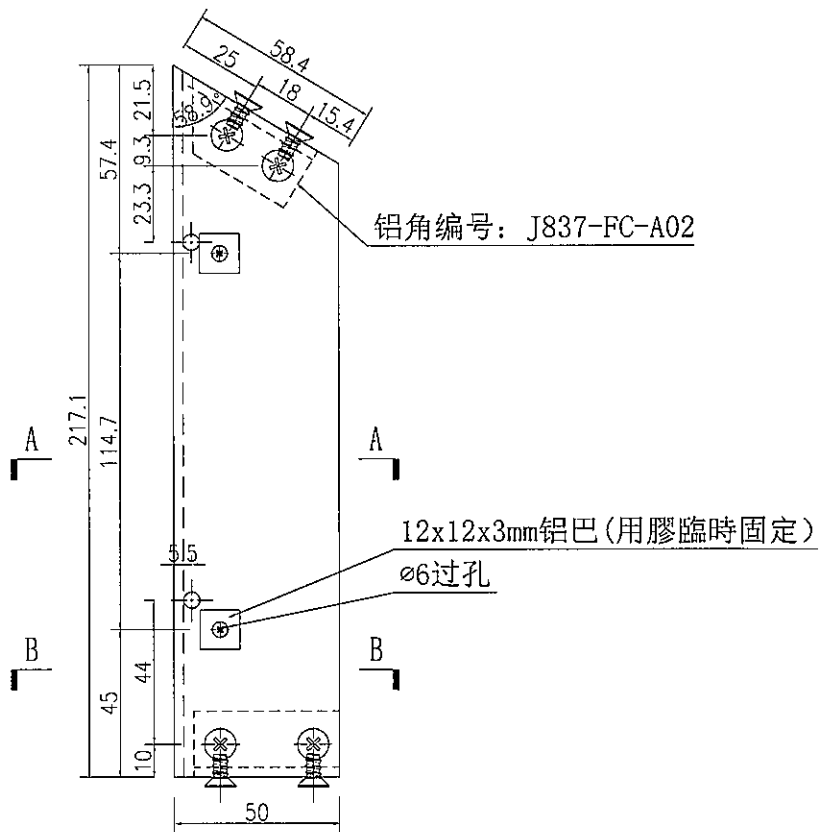
注：此型材為邊位，需地盤複數后方能加工

數量

1

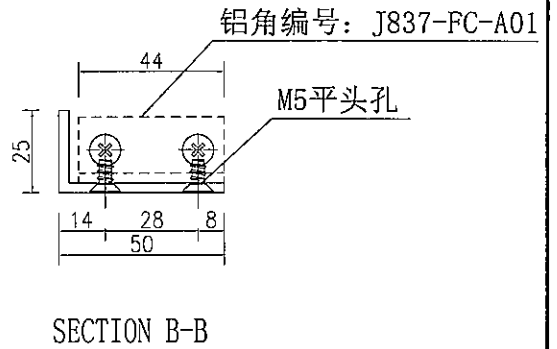
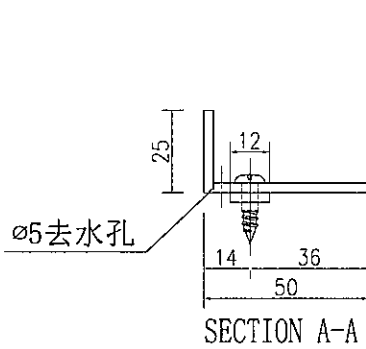
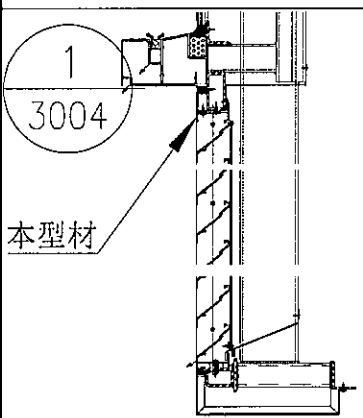
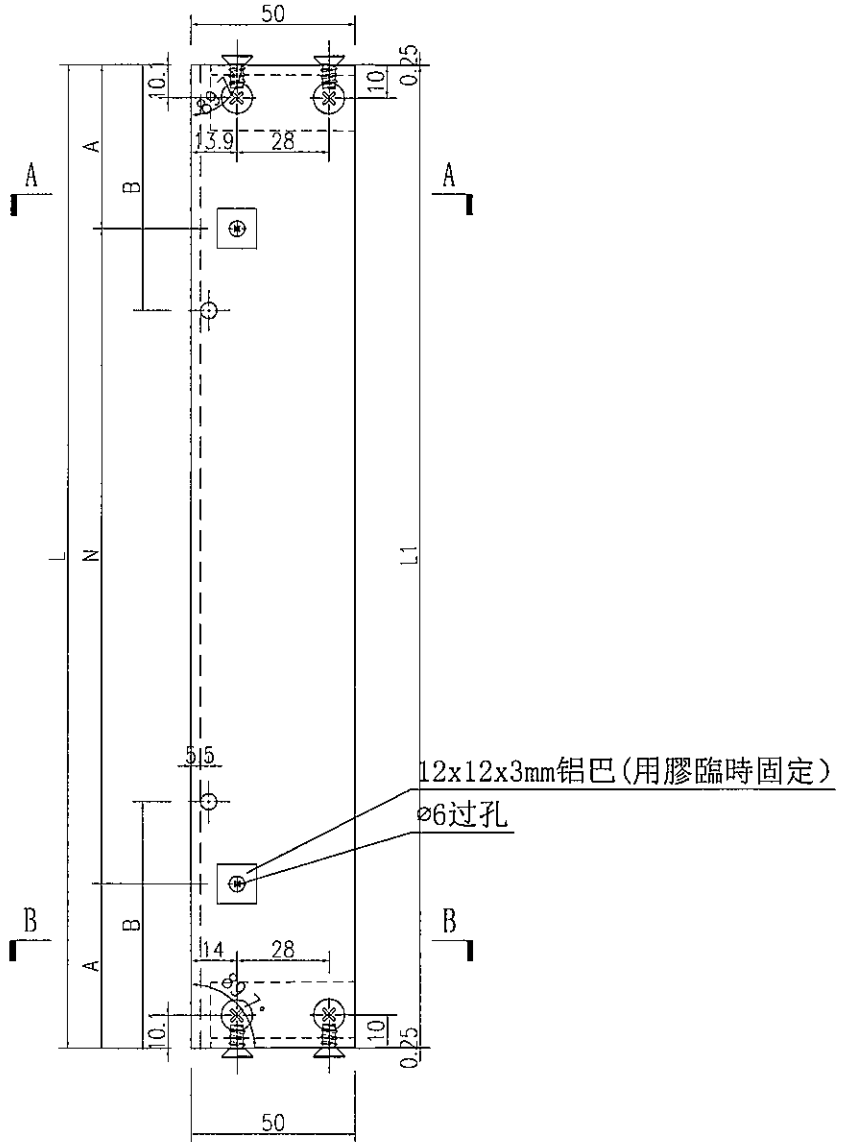
工程號 J-837 地盤 截塘

可加工



| | | | | | | | |
|----|-------------------|----|-----|-----------|----|----------------|--|
| 名稱 | 鋁角加工圖 | 制圖 | 吳禕瑜 | 2019-4-26 | 修改 | | |
| 材料 | PEOE10027 | 復核 | | | 日期 | | |
| 顏色 | EC-DG-S332054 香檳色 | 批准 | | | 圖號 | J837-FC-HAL86A | |

工程號 J-837 地盤 觀塘



| | | | | | | | |
|----|-------------------|----|-----|-----------|----|---------------|--|
| 名稱 | 鋁角加工圖 | 制圖 | 吳禕瑜 | 2019-4-26 | 修改 | | |
| 材料 | PEOE10027 | 復核 | | | 日期 | | |
| 顏色 | EC-DG-S332054 香檳色 | 批准 | | | 圖號 | J837-FC-HAL1A | |



加工圖見：J837-FC-HAL1A

| | | | |
|-----|-------|----|----|
| 工程號 | J-837 | 地盤 | 截塘 |
|-----|-------|----|----|

| 序号 | 编号 | 长度L | 长度L1 | 数量 | A | N | | | B |
|----|----------------|--------|------|----|--------|-----|---|---|-----|
| 1 | J837-FC-HAL1A | 1412.5 | 1412 | 13 | 106.25 | 300 | x | 4 | 353 |
| 2 | J837-FC-HAL3A | 1410.5 | 1410 | 1 | 105.25 | 300 | x | 4 | 353 |
| 3 | J837-FC-HAL4A | 2021.5 | 2021 | 1 | 110.75 | 300 | x | 6 | 505 |
| 4 | J837-FC-HAL5A | 1502.5 | 1502 | 2 | 151.25 | 300 | x | 4 | 376 |
| 5 | J837-FC-HAL6A | 1514.5 | 1514 | 2 | 157.25 | 300 | x | 4 | 379 |
| 6 | J837-FC-HAL7A | 1330.5 | 1330 | 2 | 65.25 | 300 | x | 4 | 333 |
| 7 | J837-FC-HAL8A | 1309.5 | 1309 | 1 | 54.75 | 300 | x | 4 | 327 |
| 8 | J837-FC-HAL9A | 1505.5 | 1505 | 1 | 152.75 | 300 | x | 4 | 376 |
| 9 | J837-FC-HAL10A | 1500.5 | 1500 | 1 | 150.25 | 300 | x | 4 | 375 |
| 10 | J837-FC-HAL11A | 1486.5 | 1486 | 2 | 143.25 | 300 | x | 4 | 372 |
| 11 | J837-FC-HAL12A | 2114.5 | 2114 | 1 | 157.25 | 300 | x | 6 | 529 |
| 12 | J837-FC-HAL13A | 1581.5 | 1581 | 1 | 40.75 | 300 | x | 5 | 395 |
| 13 | J837-FC-HAL14A | 1539.5 | 1539 | 1 | 169.75 | 300 | x | 4 | 385 |
| 14 | J837-FC-HAL15A | 1515.5 | 1515 | 2 | 157.75 | 300 | x | 4 | 379 |
| 15 | J837-FC-HAL16A | 1332.5 | 1332 | 1 | 66.25 | 300 | x | 4 | 333 |
| 16 | J837-FC-HAL17A | 1352.5 | 1352 | 7 | 76.25 | 300 | x | 4 | 338 |
| 17 | J837-FC-HAL18A | 1331.5 | 1331 | 1 | 65.75 | 300 | x | 4 | 333 |
| 18 | J837-FC-HAL19A | 1513.5 | 1513 | 1 | 156.75 | 300 | x | 4 | 378 |
| 19 | J837-FC-HAL20A | 1487.5 | 1487 | 1 | 143.75 | 300 | x | 4 | 372 |
| 20 | J837-FC-HAL21A | 1509.5 | 1509 | 1 | 154.75 | 300 | x | 4 | 377 |
| 21 | J837-FC-HAL22A | 1504.5 | 1504 | 1 | 152.25 | 300 | x | 4 | 376 |

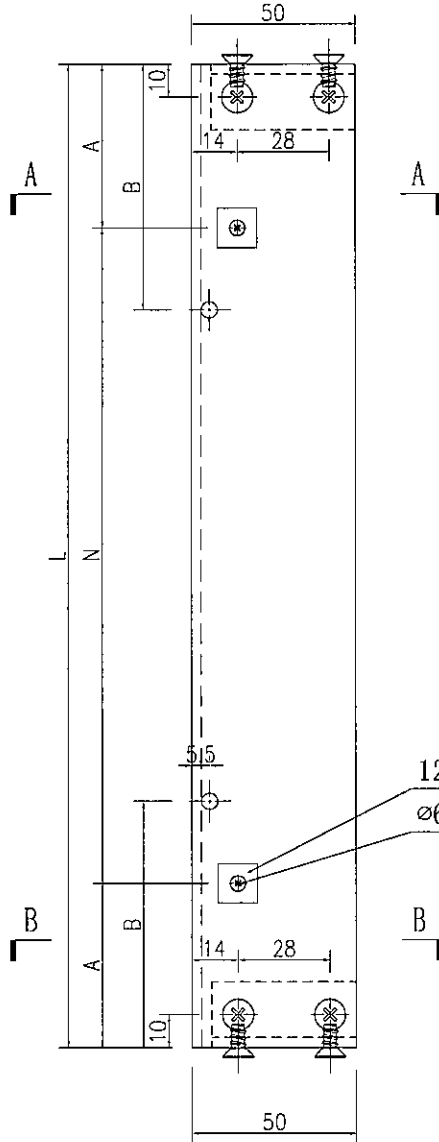
| | | | | | | | | |
|----|-----|----|-----|-----------|----|-----------------|--|--|
| 名稱 | 數據表 | 制圖 | 吳禕瑜 | 2019-3-29 | 修改 | | | |
| 材料 | | 復核 | | | 日期 | | | |
| 顏色 | | 批准 | | | 圖號 | J837-FC-HAL1A-1 | | |



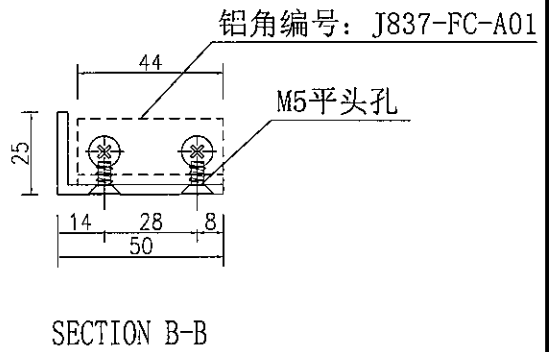
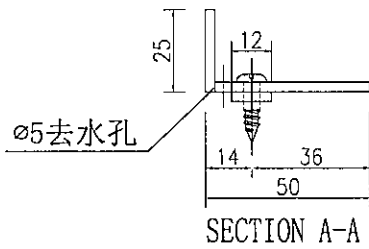
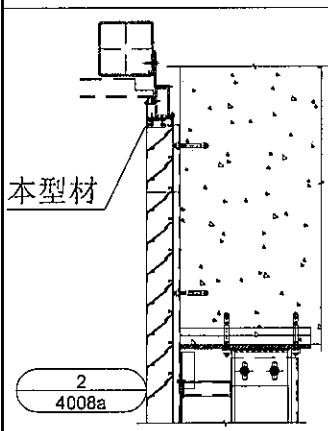
美特鋁質 有限公司
MIDI Aluminium Fabricator Ltd.

數據表見：J837-FC-HAL24A-1

工程號 J-837 地盤 觀塘



12x12x3mm 鋁巴 (用膠臨時固定)
ø6 過孔



| | | | | | | | |
|----|-------------------|----|-----|-----------|----|----------------|--|
| 名稱 | 鋁角加工圖 | 制圖 | 吳禱瑜 | 2019-3-29 | 修改 | | |
| 材料 | PE0E10027 | 復核 | | | 日期 | | |
| 顏色 | EC-DG-S332054 香檳色 | 批准 | | | 圖號 | J837-FC-HAL24A | |



加工圖見：J837-FC-HAL24A

| | | | |
|-----|-------|----|----|
| 工程號 | J-837 | 地盤 | 觀塘 |
|-----|-------|----|----|

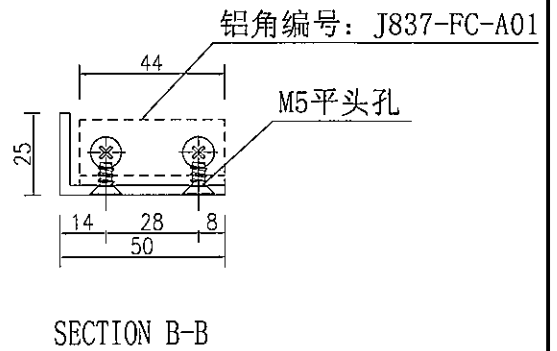
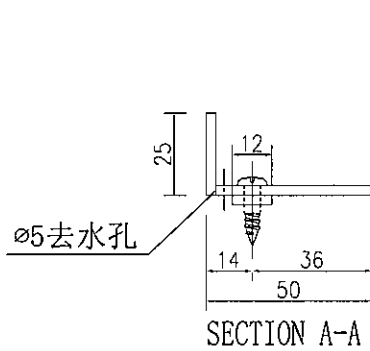
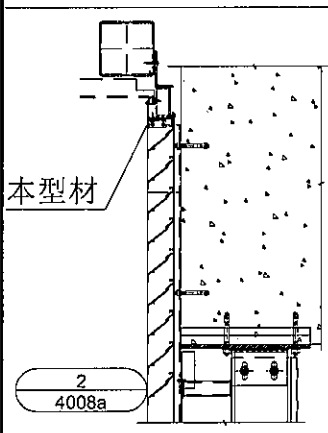
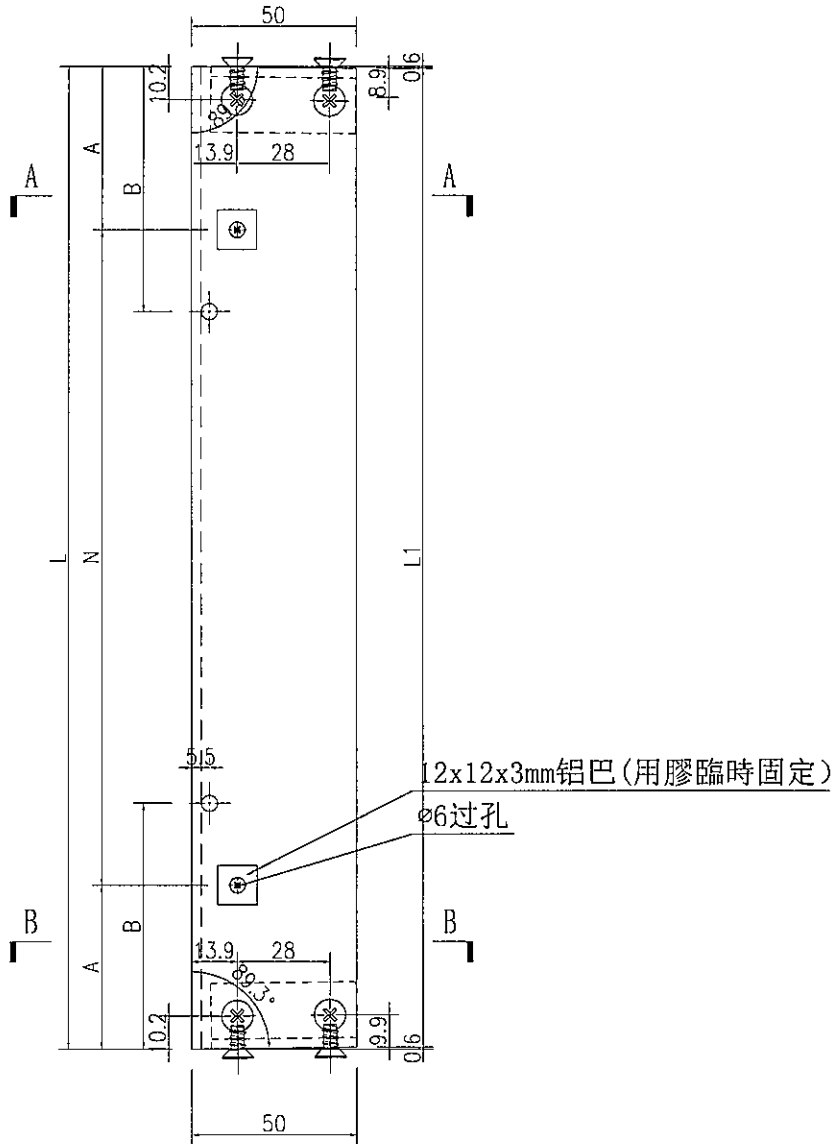
| 序号 | 编号 | 长度L | 数量 | A | N | | B |
|----|----------------|------|----|-------|-----|-----|--------|
| 1 | J837-FC-HAL24A | 1722 | 1 | 111 | 300 | x 5 | 430.5 |
| 2 | J837-FC-HAL25A | 1159 | 2 | 129.5 | 300 | x 3 | 289.75 |
| 3 | J837-FC-HAL26A | 1449 | 2 | 124.5 | 300 | x 4 | 362.25 |
| 4 | J837-FC-HAL27A | 1635 | 1 | 217.5 | 300 | x 4 | 408.75 |
| 5 | J837-FC-HAL28A | 1450 | 1 | 125 | 300 | x 4 | 362.5 |
| 6 | J837-FC-HAL29A | 1234 | 1 | 167 | 300 | x 3 | 308.5 |
| 7 | J837-FC-HAL30A | 1209 | 2 | 154.5 | 300 | x 3 | 302.25 |
| 8 | J837-FC-HAL31A | 1374 | 12 | 87 | 300 | x 4 | 343.5 |
| 9 | J837-FC-HAL74A | 1451 | 1 | 125.5 | 300 | x 4 | 362.75 |
| 10 | J837-FC-HAL75A | 1215 | 1 | 157.5 | 300 | x 3 | 303.75 |
| 11 | J837-FC-HAL77A | 1144 | 1 | 122 | 300 | x 3 | 286 |
| 12 | J837-FC-HAL78A | 1204 | 1 | 152 | 300 | x 3 | 301 |
| 13 | J837-FC-HAL80A | 1106 | 2 | 103 | 300 | x 3 | 276.5 |
| 14 | J837-FC-HAL81A | 1159 | 2 | 129.5 | 300 | x 3 | 289.75 |
| 15 | J837-FC-HAL82A | 1156 | 2 | 128 | 300 | x 3 | 289 |
| 16 | | | | | | | |

| | | | | | | | |
|----|-----|----|-----|-----------|----|------------------|--|
| 名稱 | 數據表 | 制圖 | 吳禕瑜 | 2019-4-26 | 修改 | | |
| 材料 | | 復核 | | | 日期 | | |
| 顏色 | | 批准 | | | 圖號 | J837-FC-HAL24A-1 | |



數據表見：J837-FC-HAL33A-1

| | | | |
|-----|-------|----|----|
| 工程號 | J-837 | 地盤 | 觀塘 |
|-----|-------|----|----|



| | | | | | | | |
|----|-------------------|----|-----|-----------|----|----------------|--|
| 名稱 | 铝角加工圖 | 制圖 | 吳禕瑜 | 2019-3-29 | 修改 | | |
| 材料 | PE0E10027 | 復核 | | | 日期 | | |
| 顏色 | EC-DG-S332054 香檳色 | 批准 | | | 圖號 | J837-FC-HAL33A | |

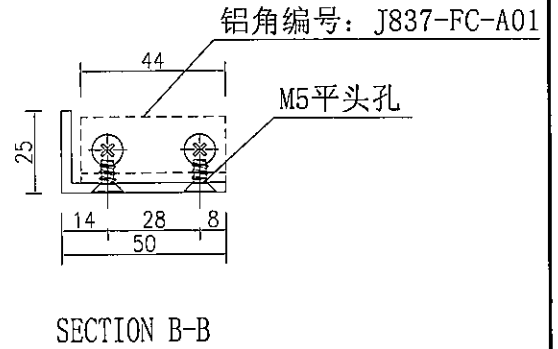
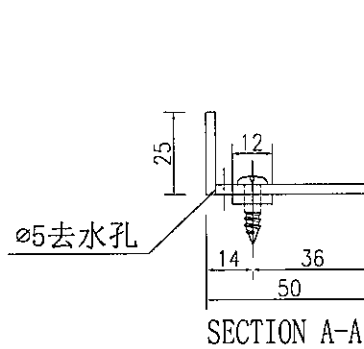
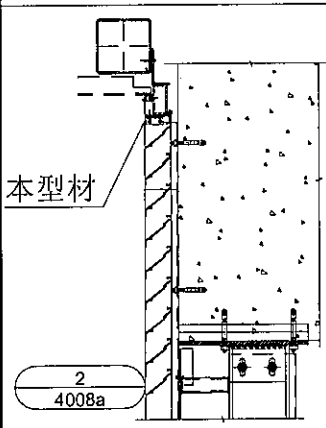
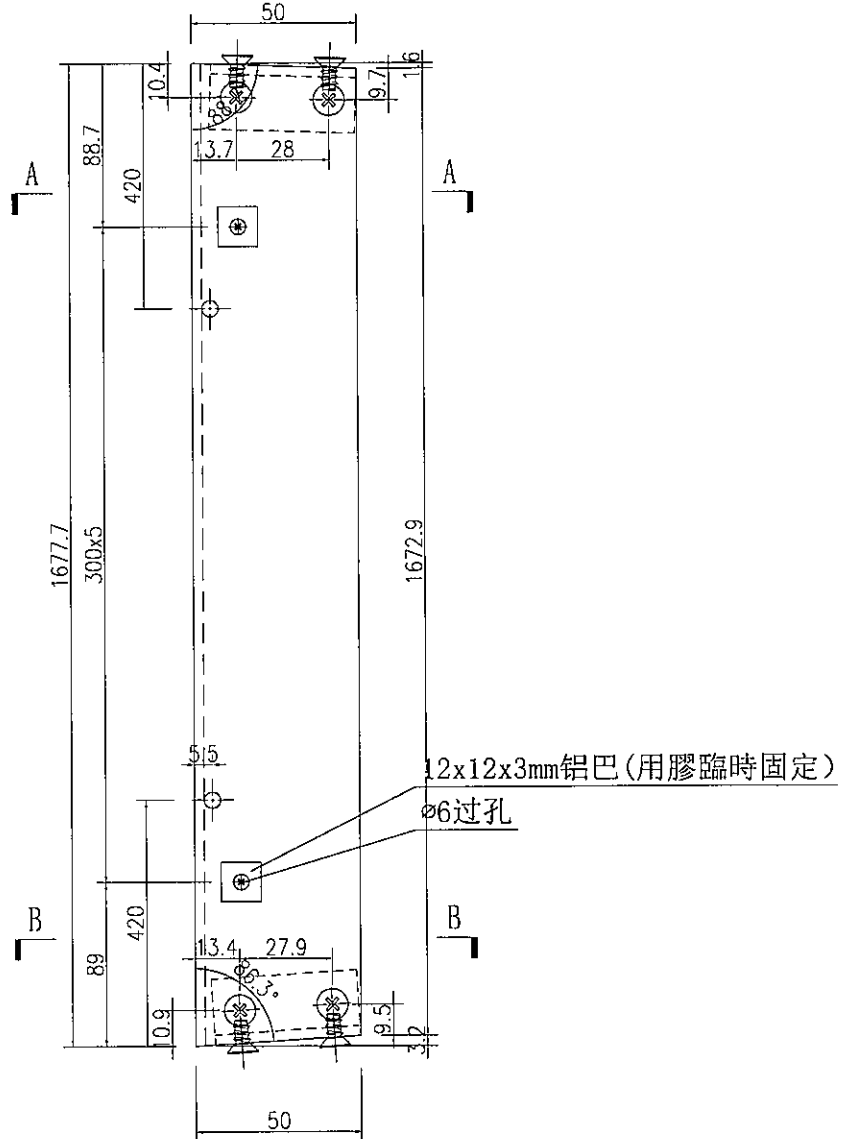


加工圖見：J837-FC-HAL33A

工程號 J-837 地盤 觀塘

| 序号 | 编号 | 长度L | 长度L1 | 数量 | A | N | | | B |
|----|----------------|------|--------|----|-------|-----|---|---|-----|
| 1 | J837-FC-HAL33A | 1365 | 1363.8 | 1 | 82.5 | 300 | x | 4 | 341 |
| 2 | J837-FC-HAL34A | 2282 | 2280.8 | 1 | 91 | 300 | x | 7 | 571 |
| 3 | J837-FC-HAL35A | 1512 | 1510.8 | 1 | 156 | 300 | x | 4 | 378 |
| 4 | J837-FC-HAL36A | 1471 | 1469.8 | 1 | 135.5 | 300 | x | 4 | 368 |
| 5 | J837-FC-HAL37A | 1559 | 1557.8 | 2 | 179.5 | 300 | x | 4 | 390 |
| 6 | J837-FC-HAL38A | 1451 | 1449.8 | 1 | 125.5 | 300 | x | 4 | 363 |
| 7 | J837-FC-HAL39A | 1512 | 1510.8 | 4 | 156 | 300 | x | 4 | 378 |
| 8 | J837-FC-HAL41A | 1507 | 1505.8 | 1 | 153.5 | 300 | x | 4 | 377 |
| 9 | J837-FC-HAL42A | 1696 | 1694.8 | 1 | 98 | 300 | x | 5 | 424 |
| 10 | J837-FC-HAL43A | 1397 | 1395.8 | 1 | 98.5 | 300 | x | 4 | 349 |
| 11 | J837-FC-HAL44A | 1713 | 1711.8 | 1 | 106.5 | 300 | x | 5 | 428 |
| 12 | J837-FC-HAL45A | 1625 | 1623.8 | 1 | 62.5 | 300 | x | 5 | 406 |
| 13 | J837-FC-HAL46A | 1516 | 1514.8 | 3 | 158 | 300 | x | 4 | 379 |
| 14 | J837-FC-HAL47A | 1455 | 1453.8 | 1 | 127.5 | 300 | x | 4 | 364 |
| 15 | J837-FC-HAL48A | 1577 | 1575.8 | 2 | 188.5 | 300 | x | 4 | 394 |
| 16 | J837-FC-HAL49A | 1972 | 1970.8 | 1 | 86 | 300 | x | 6 | 493 |
| 17 | J837-FC-HAL50A | 1409 | 1407.8 | 15 | 104.5 | 300 | x | 4 | 352 |
| 18 | J837-FC-HAL51A | 1812 | 1810.8 | 1 | 156 | 300 | x | 5 | 453 |
| 19 | J837-FC-HAL52A | 1261 | 1259.8 | 3 | 30.5 | 300 | x | 4 | 315 |
| 20 | J837-FC-HAL53A | 1492 | 1490.8 | 1 | 146 | 300 | x | 4 | 373 |
| 21 | J837-FC-HAL57A | 1416 | 1414.8 | 1 | 108 | 300 | x | 4 | 354 |
| 22 | J837-FC-HAL58A | 1300 | 1298.8 | 1 | 50 | 300 | x | 4 | 325 |
| 23 | J837-FC-HAL59A | 1569 | 1567.8 | 1 | 184.5 | 300 | x | 4 | 392 |
| 24 | J837-FC-HAL60A | 1557 | 1555.8 | 1 | 178.5 | 300 | x | 4 | 389 |
| 25 | J837-FC-HAL61A | 1323 | 1321.8 | 2 | 61.5 | 300 | x | 4 | 331 |
| 26 | J837-FC-HAL62A | 1277 | 1275.8 | 1 | 38.5 | 300 | x | 4 | 319 |
| 27 | J837-FC-HAL63A | 1239 | 1237.8 | 1 | 169.5 | 300 | x | 3 | 310 |
| 28 | J837-FC-HAL64A | 1619 | 1617.8 | 1 | 59.5 | 300 | x | 5 | 405 |
| 29 | J837-FC-HAL66A | 1203 | 1201.8 | 1 | 151.5 | 300 | x | 3 | 301 |
| 30 | J837-FC-HAL67A | 1220 | 1218.8 | 1 | 160 | 300 | x | 3 | 305 |
| 31 | J837-FC-HAL68A | 1253 | 1251.8 | 1 | 176.5 | 300 | x | 3 | 313 |
| 32 | J837-FC-HAL69A | 1746 | 1744.8 | 2 | 123 | 300 | x | 5 | 437 |
| 33 | J837-FC-HAL70A | 1354 | 1352.8 | 1 | 77 | 300 | x | 4 | 339 |
| 34 | J837-FC-HAL72A | 1983 | 1981.8 | 1 | 91.5 | 300 | x | 6 | 496 |
| 35 | J837-FC-HAL85A | 1403 | 1401.8 | 6 | 101.5 | 300 | x | 4 | 351 |

| | | | | | | | |
|----|-----|----|-----|-----------|----|------------------|--|
| 名稱 | 數據表 | 制圖 | 吳禕瑜 | 2019-3-29 | 修改 | | |
| 材料 | | 復核 | | | 日期 | | |
| 顏色 | | 批准 | | | 圖號 | J837-FC-HAL33A-1 | |



| | | | | | | | |
|----|-------------------|----|-----|-----------|----|----------------|--|
| 名稱 | 鋁角加工圖 | 制圖 | 吳禕瑜 | 2019-3-29 | 修改 | | |
| 材料 | PE0E10027 | 復核 | | | 日期 | | |
| 顏色 | EC-DG-S332054 香檳色 | 批准 | | | 圖號 | J837-FC-HAL40A | |



美特鋁質 有限公司
MIDI Aluminium Fabricator Ltd.

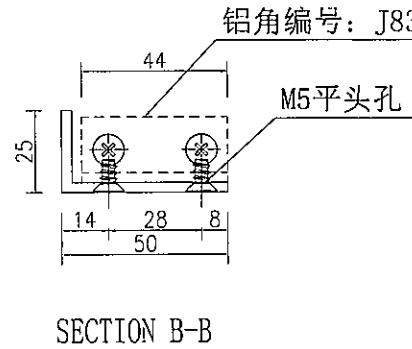
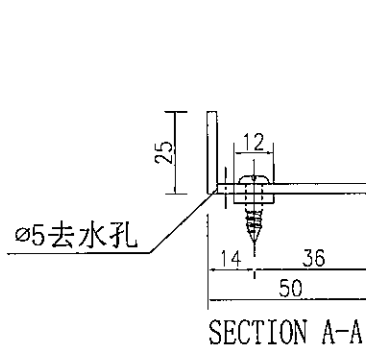
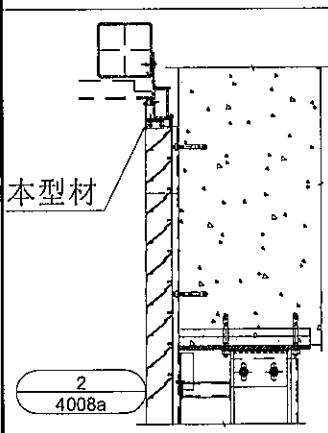
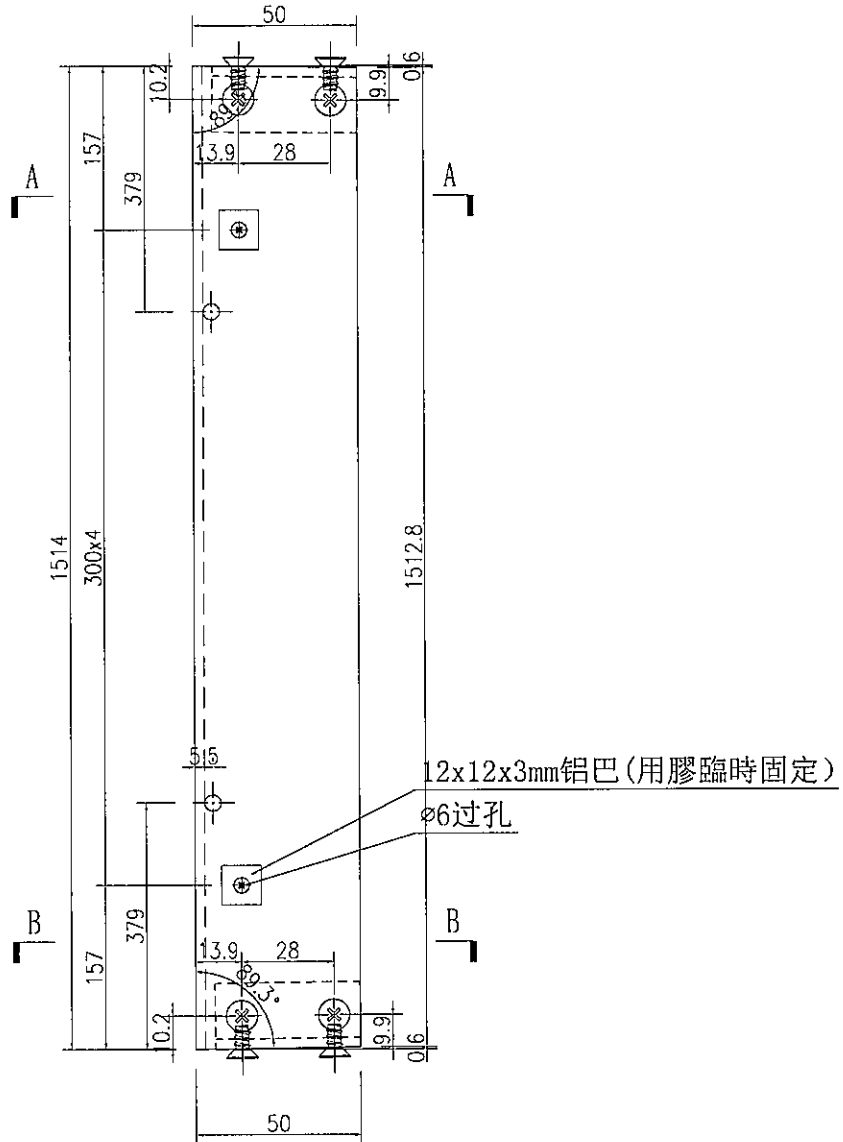
注：此型材為邊位，不確定做法，暫停加工

數量

1

工程號 J-837 地盤 鐵塘

可加工



铝角编号: J837-FC-A01

| | | | | | | | |
|----|-------------------|----|-----|-----------|----|----------------|--|
| 名稱 | 鋁角加工圖 | 制圖 | 吳禕瑜 | 2019-3-29 | 修改 | | |
| 材料 | PE0E10027 | 復核 | | | 日期 | | |
| 顏色 | EC-DG-S332054 香檳色 | 批准 | | | 圖號 | J837-FC-HAL54A | |



美特鋁質 有限公司
MIDI Aluminium Fabricator Ltd.

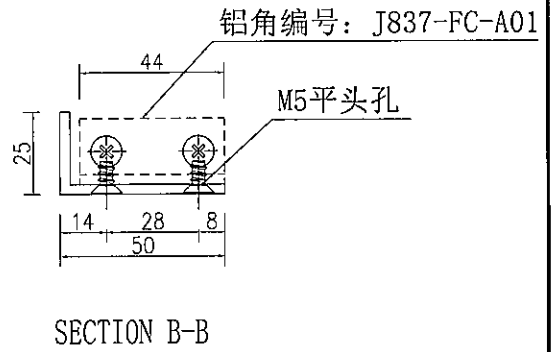
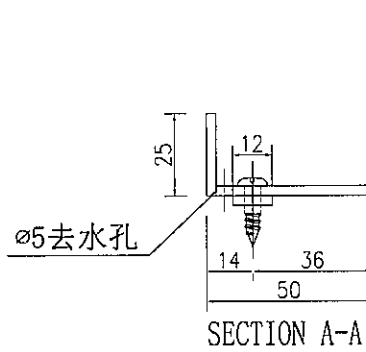
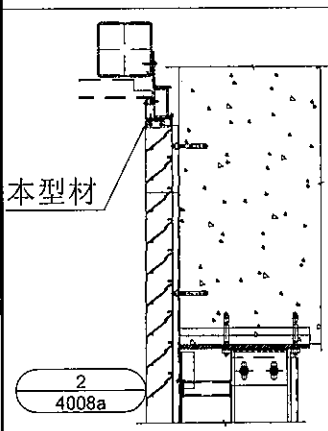
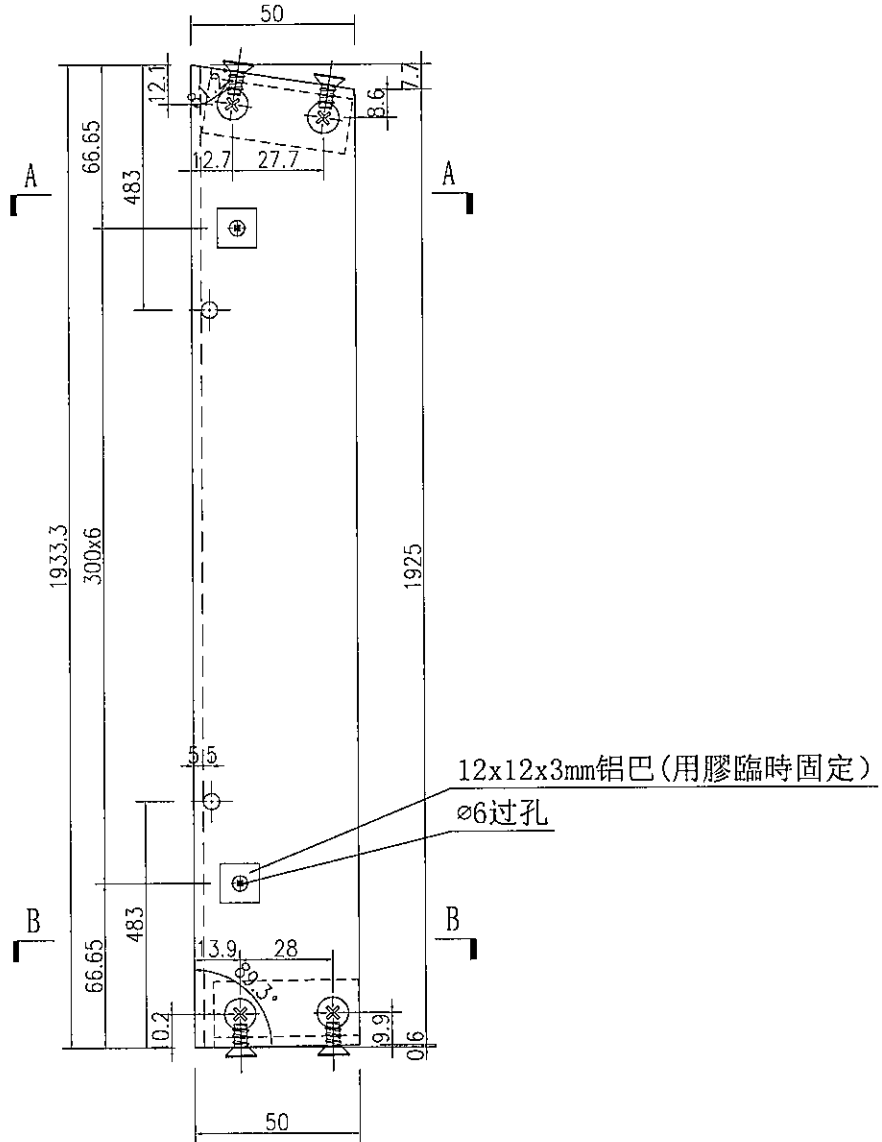
注：此型材為邊位，需地盤複數后方能加工

數量

1

工程號 J-837 地盤 觀塘

可加工

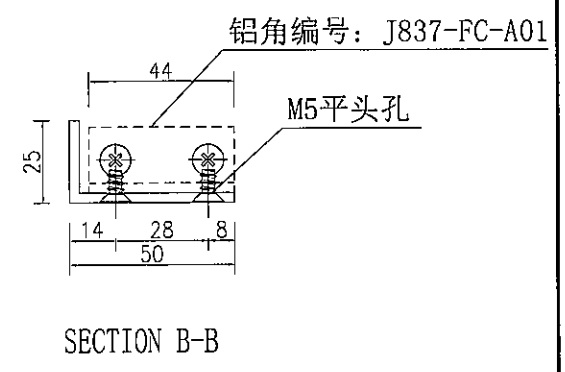
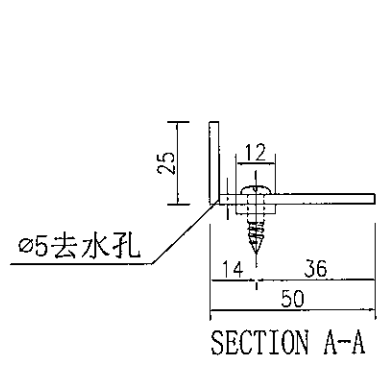
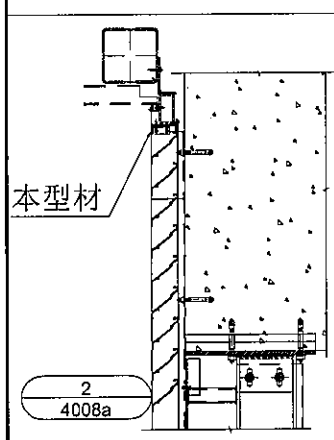
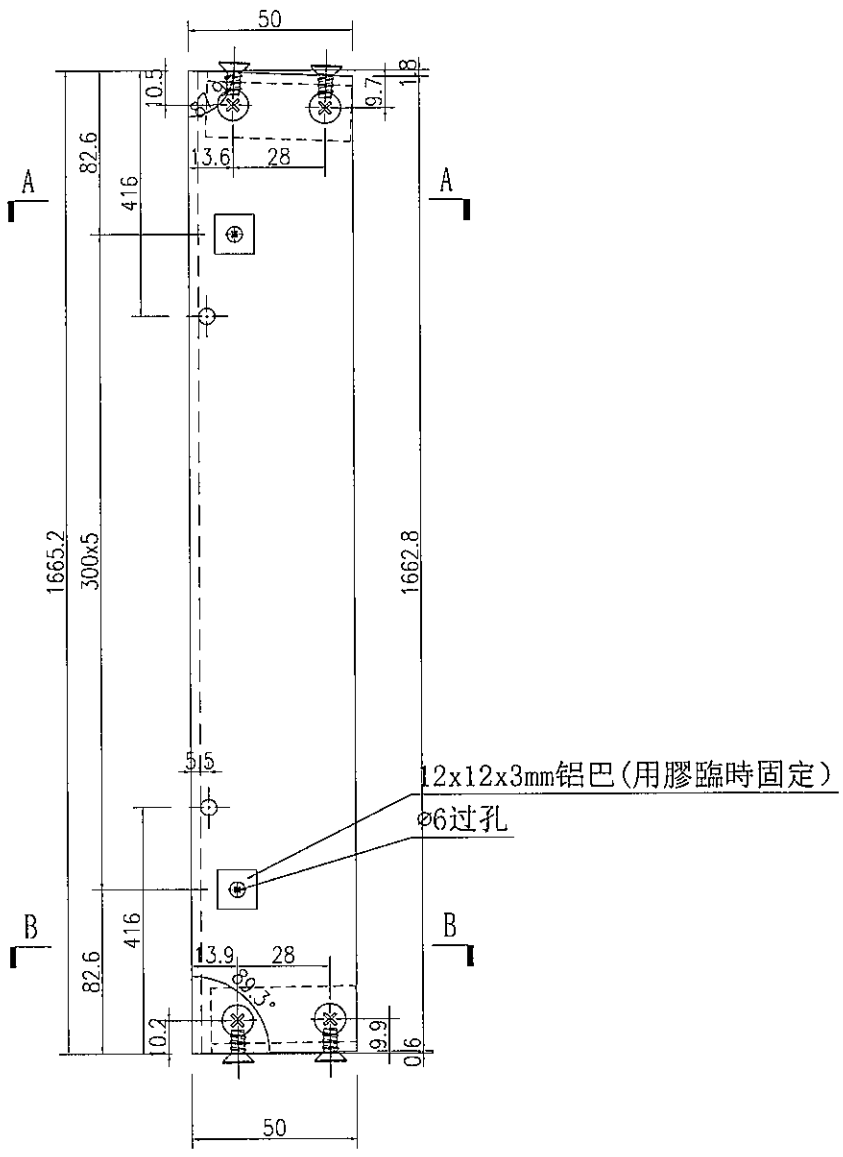


| | | | | | | | |
|----|-------------------|----|-----|-----------|----|----------------|--|
| 名稱 | 鋁角加工圖 | 制圖 | 吳禕瑜 | 2019-3-29 | 修改 | | |
| 材料 | PEOE10027 | 復核 | | | 日期 | | |
| 顏色 | EC-DG-S332054 香檳色 | 批准 | | | 圖號 | J837-FC-HAL56A | |

美特鋁質 有限公司
MIDI Aluminium Fabricator Ltd.

工程號 J-837 地盤 觀塘

數量
1



| | | | | | | | |
|----|-------------------|----|-----|-----------|----|----------------|--|
| 名稱 | 鋁角加工圖 | 制圖 | 吳禕瑜 | 2019-3-29 | 修改 | | |
| 材料 | PE0E10027 | 復核 | | | 日期 | | |
| 顏色 | EC-DG-S332054 香檳色 | 批准 | | | 圖號 | J837-FC-HAL65A | |

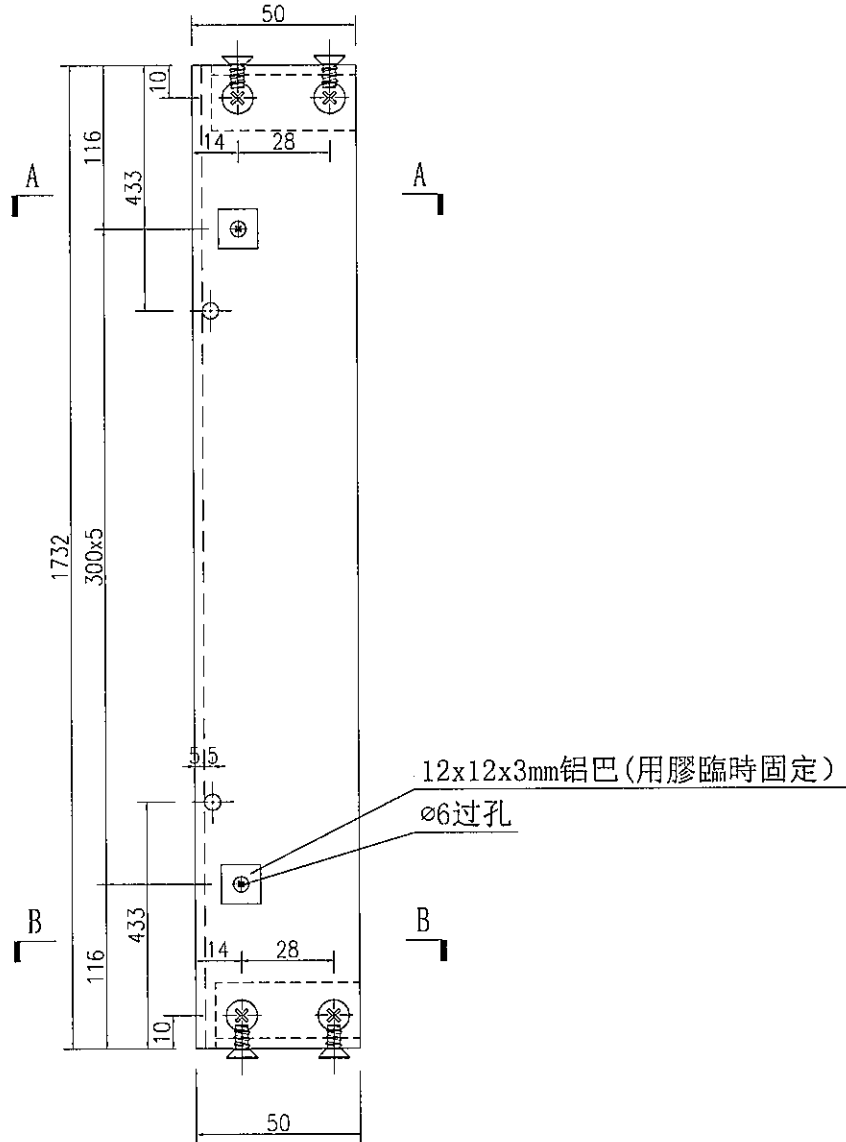
注：此型材為邊位，需地盤複數后方能加工

數量

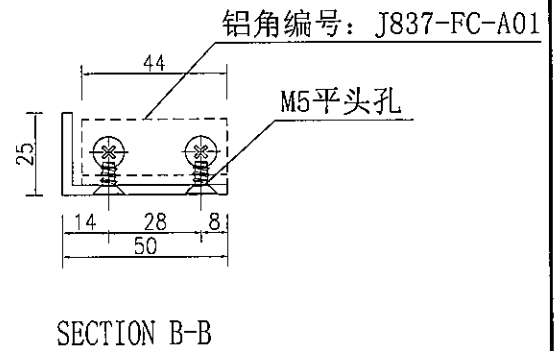
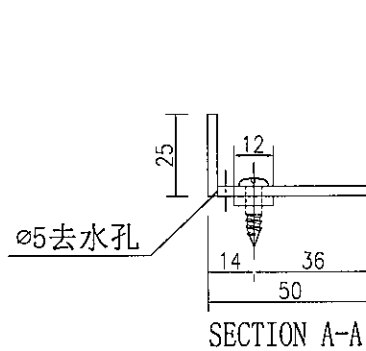
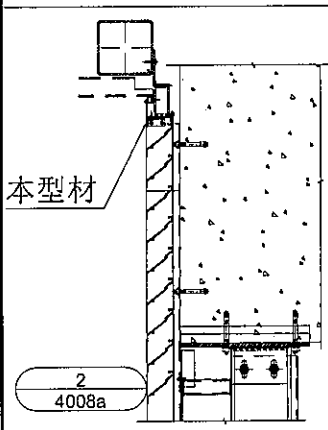
1

工程號 J-837 地盤 觀塘

可加工



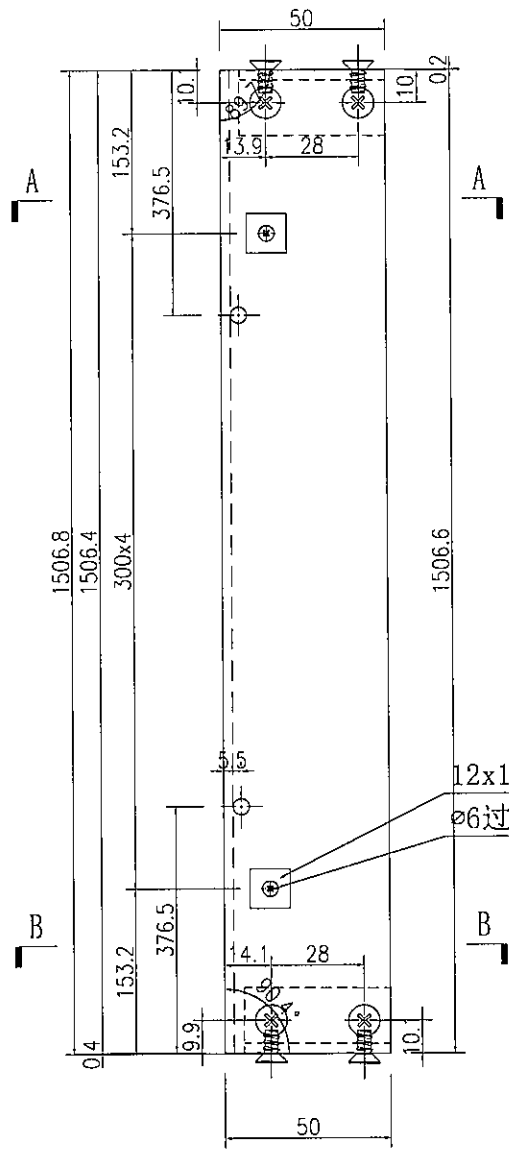
12x12x3mm铝巴(用膠臨時固定)
ø6过孔



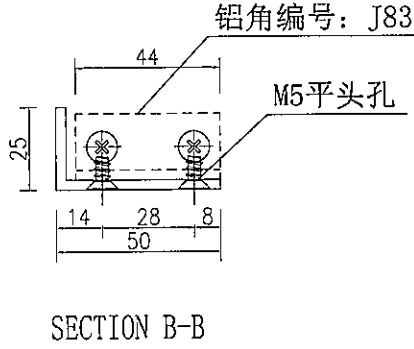
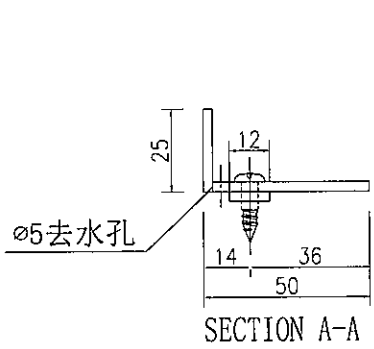
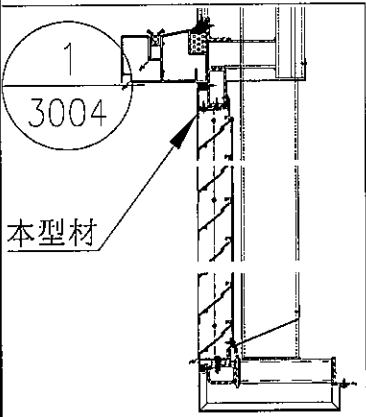
| | | | | | | | |
|----|-------------------|----|-----|-----------|----|----------------|--|
| 名稱 | 鋁角加工圖 | 制圖 | 吳緯瑜 | 2019-3-29 | 修改 | | |
| 材料 | PE0E10027 | 復核 | | | 日期 | | |
| 顏色 | EC-DG-S332054 香檳色 | 批准 | | | 圖號 | J837-FC-HAL83A | |

美特鋁質 有限公司
MIDI Aluminium Fabricator Ltd.

工程號 J-837 地盤 觀塘

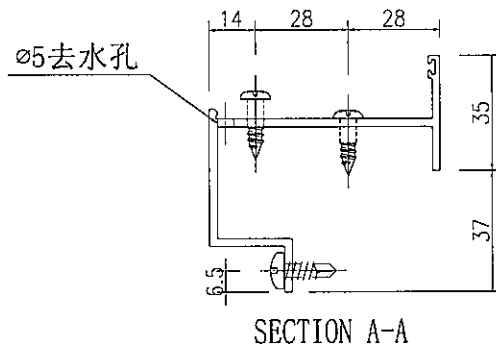
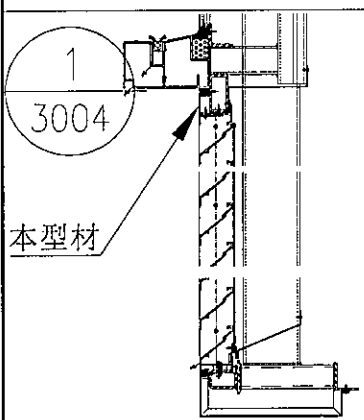
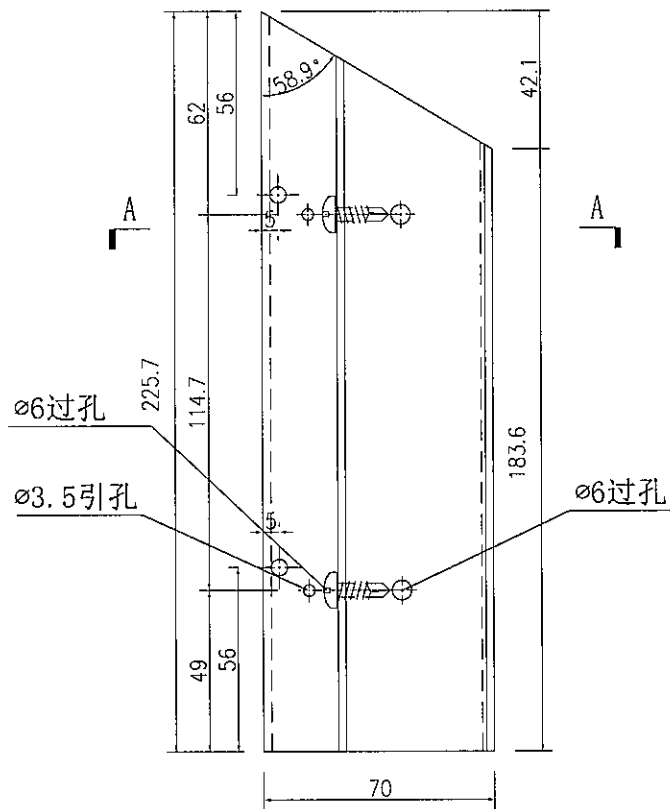


12x12x3mm 铝巴 (用膠臨時固定)
ø6 过孔



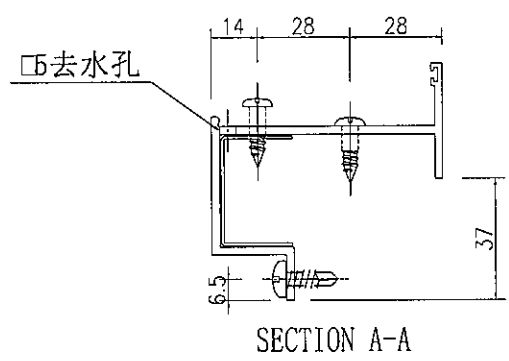
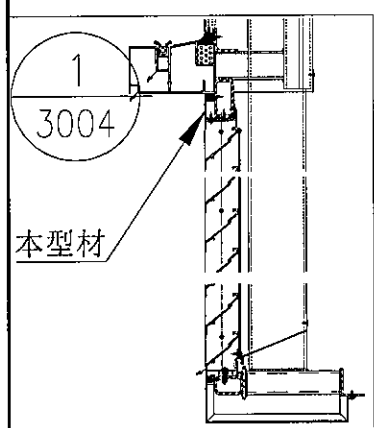
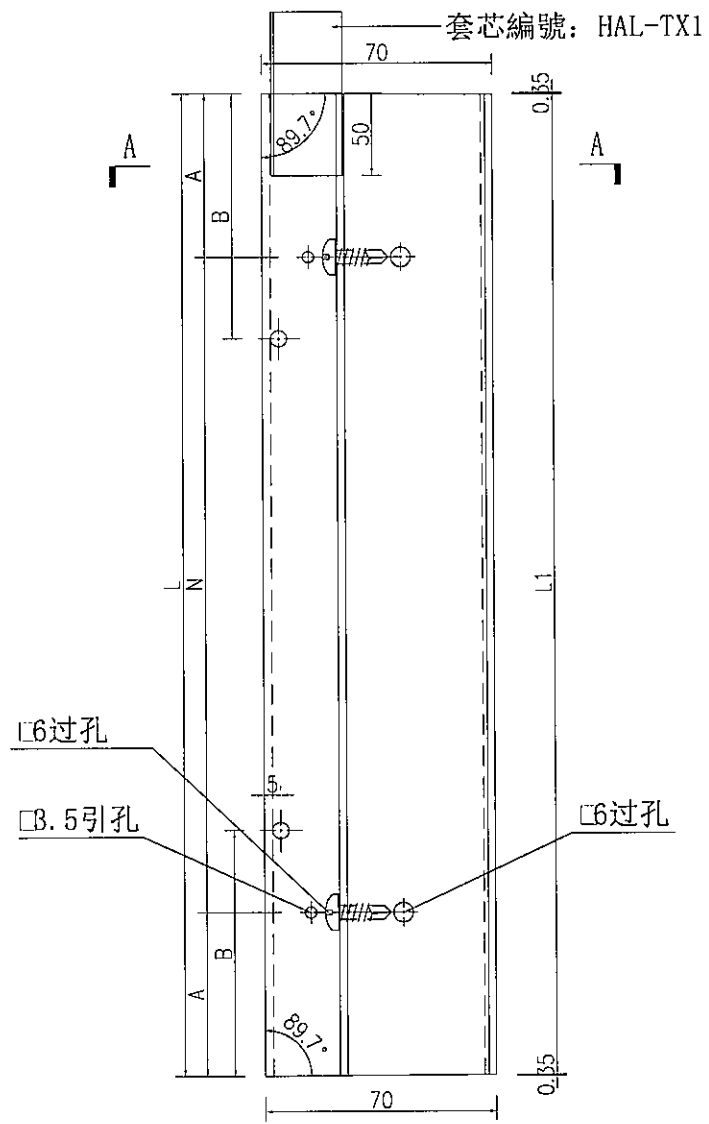
| | | | | | | | |
|----|-------------------|----|-----|-----------|----|----------------|--|
| 名稱 | 鋁角加工圖 | 制圖 | 吳禕瑜 | 2019-4-26 | 修改 | | |
| 材料 | PEOE10027 | 復核 | | | 日期 | | |
| 顏色 | EC-DG-S332054 香檳色 | 批准 | | | 圖號 | J837-FC-HAL84A | |

工程號 J-837 地盤 觀塘



| | | | | | | | |
|----|-------------------|----|-----|-----------|----|----------------|--|
| 名稱 | 百葉頂框加工圖 | 制圖 | 吳禕瑜 | 2019-4-26 | 修改 | | |
| 材料 | X85617 | 復核 | | | 日期 | | |
| 顏色 | EC-DG-S332054 香檳色 | 批准 | | | 圖號 | J837-FC-HAL86B | |

| | | | |
|-----|-------|----|----|
| 工程號 | J-837 | 地盤 | 觀塘 |
|-----|-------|----|----|



| | | | | | | | |
|----|-------------------|----|-----|-----------|----|---------------|--|
| 名稱 | 百葉頂框加工圖 | 制圖 | 吳禕瑜 | 2019-4-26 | 修改 | | |
| 材料 | X85617 | 復核 | | | 日期 | | |
| 顏色 | EC-DG-S332054 香檳色 | 批准 | | | 圖號 | J837-FC-HAL1B | |



加工圖見：J837-FC-HAL1B

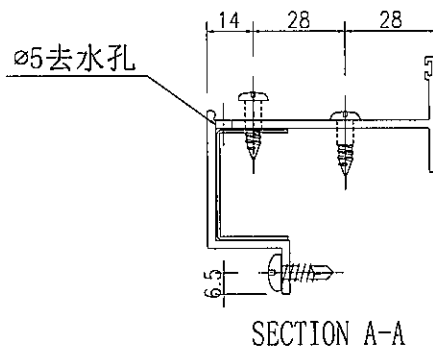
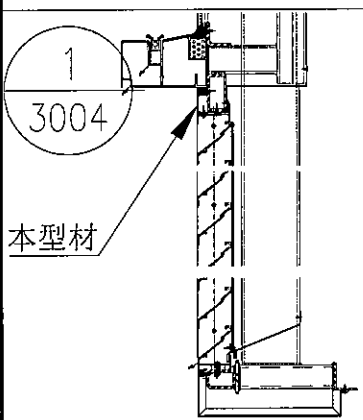
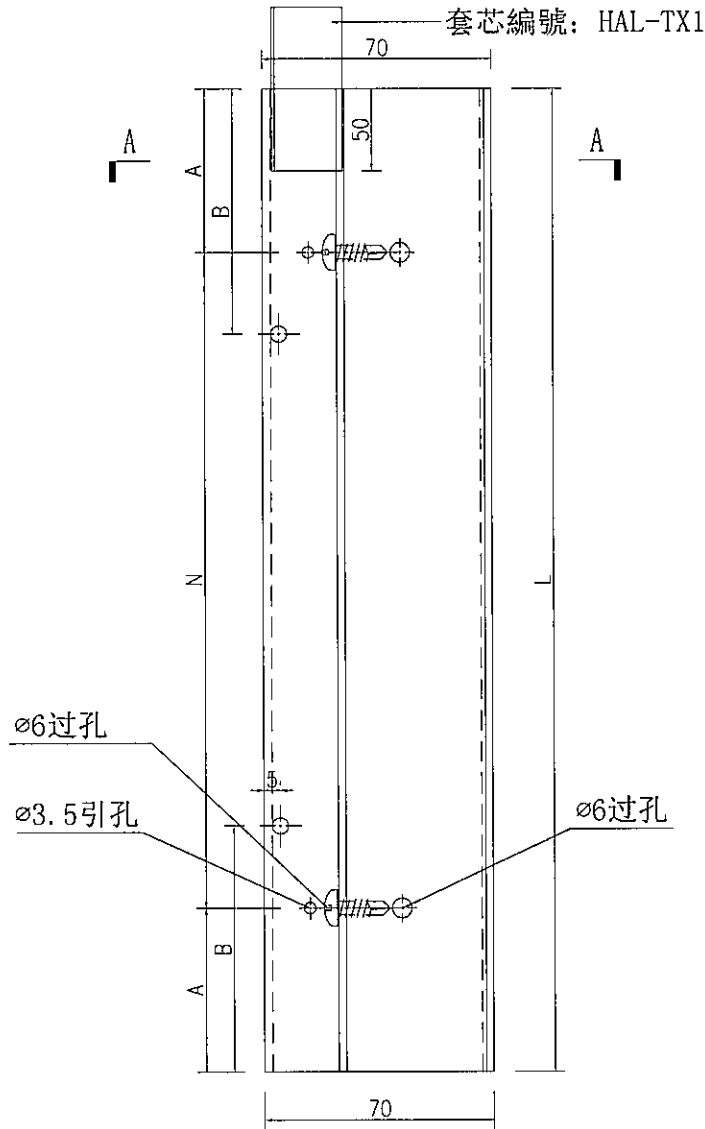
| | | | |
|-----|-------|----|----|
| 工程號 | J-837 | 地盤 | 鐵糖 |
|-----|-------|----|----|

| 序号 | 编号 | 长度L | 长度L1 | 数量 | A | N | | | B |
|----|----------------|--------|--------|----|--------|-----|---|---|-----|
| 1 | J837-FC-HAL1B | 1420.5 | 1419.8 | 13 | 110.25 | 300 | x | 4 | 355 |
| 2 | J837-FC-HAL3B | 1418.5 | 1417.8 | 1 | 109.25 | 300 | x | 4 | 355 |
| 3 | J837-FC-HAL4B | 2029.5 | 2028.8 | 1 | 114.75 | 300 | x | 6 | 507 |
| 4 | J837-FC-HAL5B | 1510.5 | 1509.8 | 2 | 155.25 | 300 | x | 4 | 378 |
| 5 | J837-FC-HAL6B | 1522.5 | 1521.8 | 2 | 161.25 | 300 | x | 4 | 381 |
| 6 | J837-FC-HAL7B | 1338.5 | 1337.8 | 2 | 69.25 | 300 | x | 4 | 335 |
| 7 | J837-FC-HAL8B | 1317.5 | 1316.8 | 1 | 58.75 | 300 | x | 4 | 329 |
| 8 | J837-FC-HAL9B | 1513.5 | 1512.8 | 1 | 156.75 | 300 | x | 4 | 378 |
| 9 | J837-FC-HAL10B | 1508.5 | 1507.8 | 1 | 154.25 | 300 | x | 4 | 377 |
| 10 | J837-FC-HAL11B | 1494.5 | 1493.8 | 2 | 147.25 | 300 | x | 4 | 374 |
| 11 | J837-FC-HAL12B | 2122.5 | 2121.8 | 1 | 161.25 | 300 | x | 6 | 531 |
| 12 | J837-FC-HAL13B | 1589.5 | 1588.8 | 1 | 44.75 | 300 | x | 5 | 397 |
| 13 | J837-FC-HAL14B | 1547.5 | 1546.8 | 1 | 173.75 | 300 | x | 4 | 387 |
| 14 | J837-FC-HAL15B | 1523.5 | 1522.8 | 2 | 161.75 | 300 | x | 4 | 381 |
| 15 | J837-FC-HAL16B | 1340.5 | 1339.8 | 1 | 70.25 | 300 | x | 4 | 335 |
| 16 | J837-FC-HAL17B | 1360.5 | 1359.8 | 7 | 80.25 | 300 | x | 4 | 340 |
| 17 | J837-FC-HAL18B | 1339.5 | 1338.8 | 1 | 69.75 | 300 | x | 4 | 335 |
| 18 | J837-FC-HAL19B | 1521.5 | 1520.8 | 1 | 160.75 | 300 | x | 4 | 380 |
| 19 | J837-FC-HAL20B | 1495.5 | 1494.8 | 1 | 147.75 | 300 | x | 4 | 374 |
| 20 | J837-FC-HAL21B | 1517.5 | 1516.8 | 1 | 158.75 | 300 | x | 4 | 379 |
| 21 | J837-FC-HAL22B | 1512.5 | 1511.8 | 1 | 156.25 | 300 | x | 4 | 378 |

| | | | | | | | | |
|----|-----|----|-----|-----------|----|-----------------|--|--|
| 名稱 | 數據表 | 制圖 | 吳禕瑜 | 2019-4-26 | 修改 | | | |
| 材料 | | 復核 | | | 日期 | | | |
| 顏色 | | 批准 | | | 圖號 | J837-FC-HAL1B-1 | | |



工程號 J-837 地盤 觀塘



| | | | | | | | |
|----|-------------------|----|-----|-----------|----|----------------|--|
| 名稱 | 百葉頂框加工圖 | 制圖 | 吳禕瑜 | 2019-4-26 | 修改 | | |
| 材料 | X85617 | 復核 | | | 日期 | | |
| 顏色 | EC-DG-S332054 香檳色 | 批准 | | | 圖號 | J837-FC-HAL24B | |

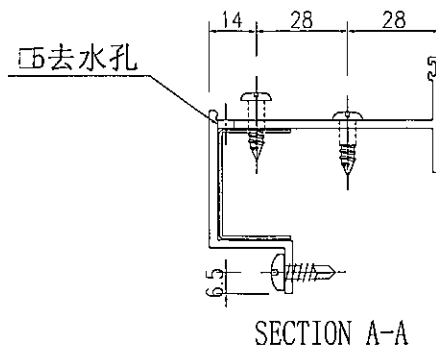
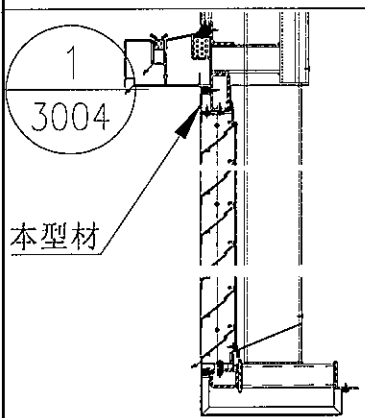
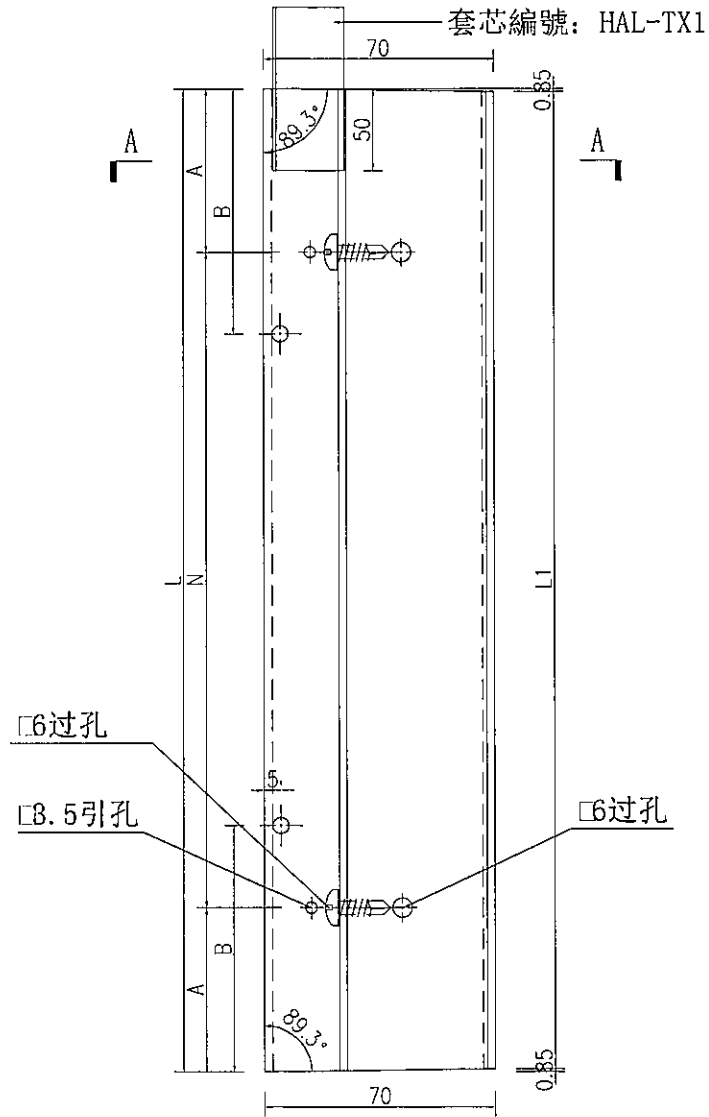


加工圖見：J837-FC-HAL24B

| | | | |
|-----|-------|----|----|
| 工程號 | J-837 | 地盤 | 觀塘 |
|-----|-------|----|----|

| 序号 | 编号 | 长度L | 数量 | A | N | | | B |
|----|----------------|------|----|-------|-----|---|---|--------|
| 1 | J837-FC-HAL24B | 1730 | 1 | 115 | 300 | x | 5 | 432.5 |
| 2 | J837-FC-HAL25B | 1167 | 2 | 133.5 | 300 | x | 3 | 291.75 |
| 3 | J837-FC-HAL26B | 1457 | 2 | 128.5 | 300 | x | 4 | 364.25 |
| 4 | J837-FC-HAL27B | 1643 | 1 | 221.5 | 300 | x | 4 | 410.75 |
| 5 | J837-FC-HAL28B | 1458 | 1 | 129 | 300 | x | 4 | 364.5 |
| 6 | J837-FC-HAL29B | 1242 | 1 | 171 | 300 | x | 3 | 310.5 |
| 7 | J837-FC-HAL30B | 1217 | 2 | 158.5 | 300 | x | 3 | 304.25 |
| 8 | J837-FC-HAL31B | 1382 | 12 | 91 | 300 | x | 4 | 345.5 |
| 9 | J837-FC-HAL74B | 1459 | 1 | 129.5 | 300 | x | 4 | 364.75 |
| 10 | J837-FC-HAL75B | 1223 | 1 | 161.5 | 300 | x | 3 | 305.75 |
| 11 | J837-FC-HAL77B | 1152 | 1 | 126 | 300 | x | 3 | 288 |
| 12 | J837-FC-HAL78B | 1212 | 1 | 156 | 300 | x | 3 | 303 |
| 13 | J837-FC-HAL80B | 1114 | 2 | 107 | 300 | x | 3 | 278.5 |
| 14 | J837-FC-HAL81B | 1167 | 2 | 133.5 | 300 | x | 3 | 291.75 |
| 15 | J837-FC-HAL82B | 1164 | 2 | 132 | 300 | x | 3 | 291 |
| 16 | | | | | | | | |

| | | | | | | | | |
|----|-----|----|-----|-----------|----|------------------|--|--|
| 名稱 | 數據表 | 制圖 | 吳緯瑜 | 2019-4-26 | 修改 | | | |
| 材料 | | 復核 | | | 日期 | | | |
| 顏色 | | 批准 | | | 圖號 | J837-FC-HAL24B-1 | | |



| | | | | | | | |
|----|-------------------|----|-----|-----------|----|----------------|--|
| 名稱 | 百葉頂框加工圖 | 制圖 | 吳禕瑜 | 2019-4-26 | 修改 | | |
| 材料 | X85617 | 復核 | | | 日期 | | |
| 顏色 | EC-DG-S332054 香檳色 | 批准 | | | 圖號 | J837-FC-HAL33B | |



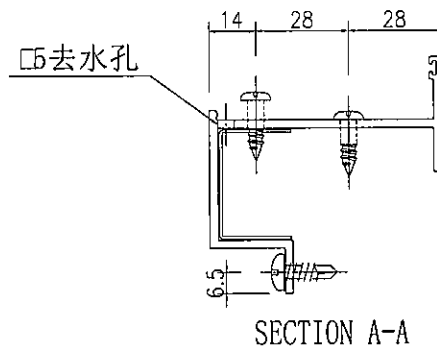
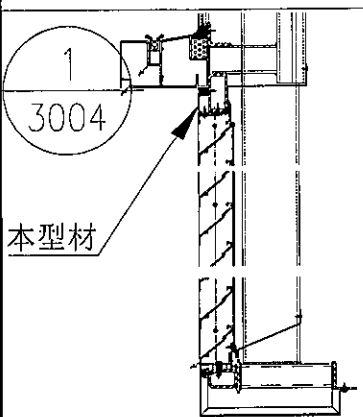
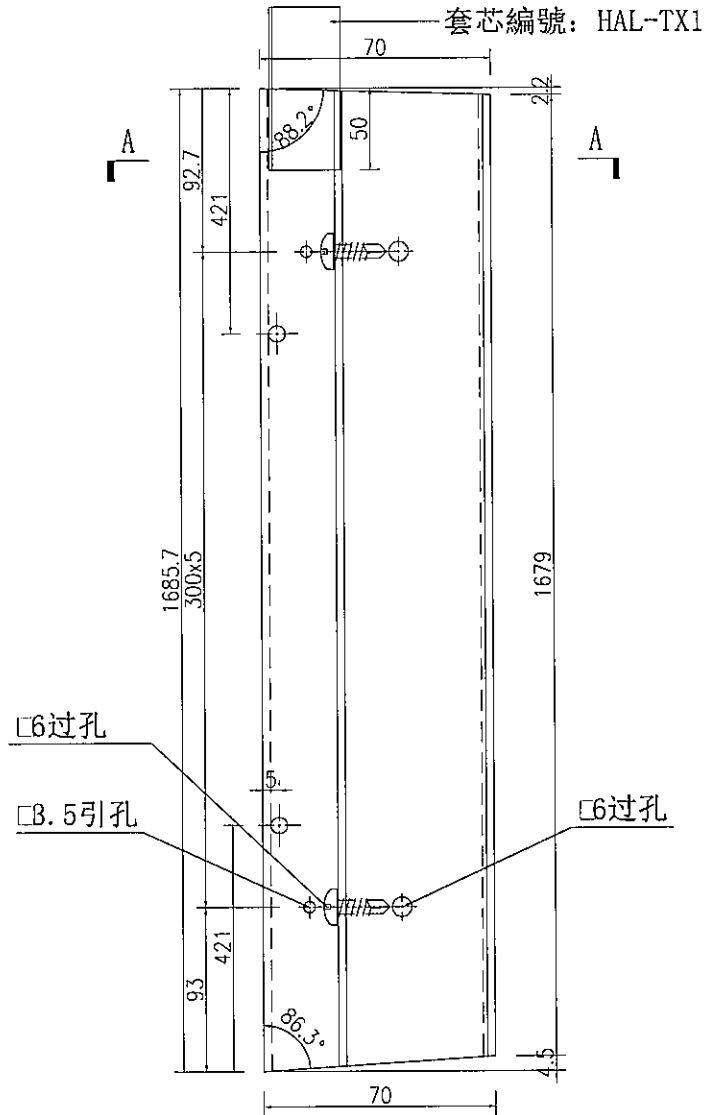
加工圖見：J837-FC-HAL33B

工程號 J-837 地盤 觀塘

| 序号 | 编号 | 长度L | 长度L1 | 数量 | A | N | | | B |
|----|----------------|------|--------|----|-------|-----|---|---|-----|
| 1 | J837-FC-HAL33B | 1373 | 1371.3 | 1 | 86.5 | 300 | x | 4 | 343 |
| 2 | J837-FC-HAL34B | 2290 | 2288.3 | 1 | 95 | 300 | x | 7 | 573 |
| 3 | J837-FC-HAL35B | 1520 | 1518.3 | 1 | 160 | 300 | x | 4 | 380 |
| 4 | J837-FC-HAL36B | 1479 | 1477.3 | 1 | 139.5 | 300 | x | 4 | 370 |
| 5 | J837-FC-HAL37B | 1567 | 1565.3 | 2 | 183.5 | 300 | x | 4 | 392 |
| 6 | J837-FC-HAL38B | 1459 | 1457.3 | 1 | 129.5 | 300 | x | 4 | 365 |
| 7 | J837-FC-HAL39B | 1520 | 1518.3 | 4 | 160 | 300 | x | 4 | 380 |
| 8 | J837-FC-HAL41B | 1515 | 1513.3 | 1 | 157.5 | 300 | x | 4 | 379 |
| 9 | J837-FC-HAL42B | 1704 | 1702.3 | 1 | 102 | 300 | x | 5 | 426 |
| 10 | J837-FC-HAL43B | 1405 | 1403.3 | 1 | 102.5 | 300 | x | 4 | 351 |
| 11 | J837-FC-HAL44B | 1721 | 1719.3 | 1 | 110.5 | 300 | x | 5 | 430 |
| 12 | J837-FC-HAL45B | 1633 | 1631.3 | 1 | 66.5 | 300 | x | 5 | 408 |
| 13 | J837-FC-HAL46B | 1524 | 1522.3 | 3 | 162 | 300 | x | 4 | 381 |
| 14 | J837-FC-HAL47B | 1463 | 1461.3 | 1 | 131.5 | 300 | x | 4 | 366 |
| 15 | J837-FC-HAL48B | 1585 | 1583.3 | 2 | 192.5 | 300 | x | 4 | 396 |
| 16 | J837-FC-HAL49B | 1980 | 1978.3 | 1 | 90 | 300 | x | 6 | 495 |
| 17 | J837-FC-HAL50B | 1417 | 1415.3 | 15 | 108.5 | 300 | x | 4 | 354 |
| 18 | J837-FC-HAL51B | 1820 | 1818.3 | 1 | 160 | 300 | x | 5 | 455 |
| 19 | J837-FC-HAL52B | 1269 | 1267.3 | 3 | 34.5 | 300 | x | 4 | 317 |
| 20 | J837-FC-HAL53B | 1500 | 1498.3 | 1 | 150 | 300 | x | 4 | 375 |
| 21 | J837-FC-HAL57B | 1424 | 1422.3 | 1 | 112 | 300 | x | 4 | 356 |
| 22 | J837-FC-HAL58B | 1308 | 1306.3 | 1 | 54 | 300 | x | 4 | 327 |
| 23 | J837-FC-HAL59B | 1577 | 1575.3 | 1 | 188.5 | 300 | x | 4 | 394 |
| 24 | J837-FC-HAL60B | 1565 | 1563.3 | 1 | 182.5 | 300 | x | 4 | 391 |
| 25 | J837-FC-HAL61B | 1331 | 1329.3 | 2 | 65.5 | 300 | x | 4 | 333 |
| 26 | J837-FC-HAL62B | 1285 | 1283.3 | 1 | 42.5 | 300 | x | 4 | 321 |
| 27 | J837-FC-HAL63B | 1247 | 1245.3 | 1 | 173.5 | 300 | x | 3 | 312 |
| 28 | J837-FC-HAL64B | 1627 | 1625.3 | 1 | 63.5 | 300 | x | 5 | 407 |
| 29 | J837-FC-HAL66B | 1211 | 1209.3 | 1 | 155.5 | 300 | x | 3 | 303 |
| 30 | J837-FC-HAL67B | 1228 | 1226.3 | 1 | 164 | 300 | x | 3 | 307 |
| 31 | J837-FC-HAL68B | 1261 | 1259.3 | 1 | 180.5 | 300 | x | 3 | 315 |
| 32 | J837-FC-HAL69B | 1754 | 1752.3 | 2 | 127 | 300 | x | 5 | 439 |
| 33 | J837-FC-HAL70B | 1362 | 1360.3 | 1 | 81 | 300 | x | 4 | 341 |
| 34 | J837-FC-HAL72B | 1991 | 1989.3 | 1 | 95.5 | 300 | x | 6 | 498 |
| 35 | J837-FC-HAL85B | 1411 | 1409.3 | 6 | 105.5 | 300 | x | 4 | 353 |

| | | | | | | | | |
|----|-----|----|-----|-----------|----|------------------|--|--|
| 名稱 | 數據表 | 制圖 | 吳禕瑜 | 2019-4-26 | 修改 | | | |
| 材料 | | 復核 | | | 日期 | | | |
| 顏色 | | 批准 | | | 圖號 | J837-FC-HAL33B-1 | | |

工程號 J-837 地盤 觀塘



| | | | | | | | |
|----|-------------------|----|-----|-----------|----|----------------|--|
| 名稱 | 百葉頂框加工圖 | 制圖 | 吳禕瑜 | 2019-4-26 | 修改 | | |
| 材料 | X85617 | 復核 | | | 日期 | | |
| 顏色 | EC-DG-S332054 香檳色 | 批准 | | | 圖號 | J837-FC-HAL40B | |



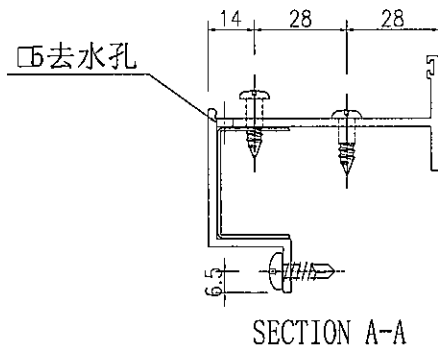
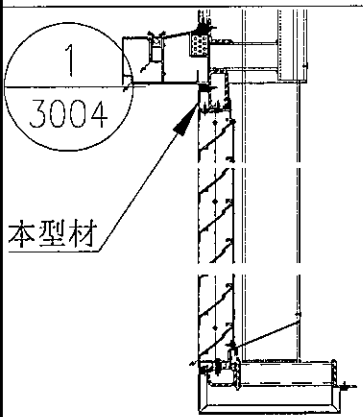
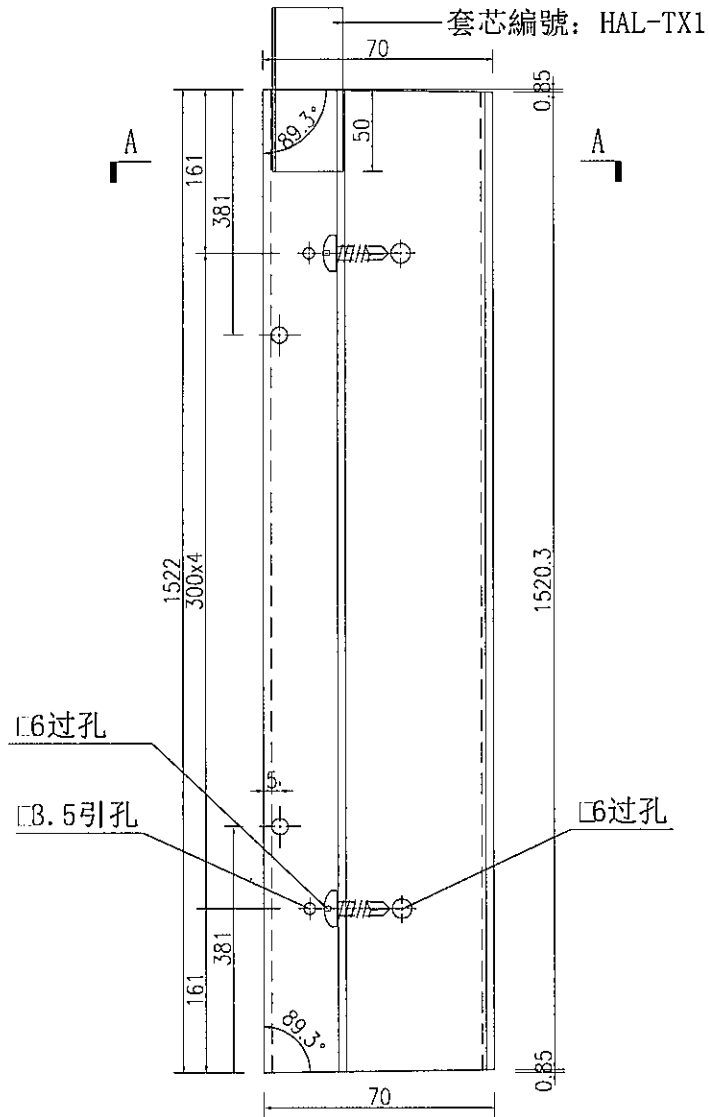
注：此型材為邊位，不確定做法，暫停加工

數量

1

工程號 J-837 地盤 觀塘

可加工



| | | | | | | | |
|----|-------------------|----|-----|-----------|----|----------------|--|
| 名稱 | 百葉頂框加工圖 | 制圖 | 吳禕瑜 | 2019-4-26 | 修改 | | |
| 材料 | X85617 | 復核 | | | 日期 | | |
| 顏色 | EC-DG-S332054 香檳色 | 批准 | | | 圖號 | J837-FC-HAL54B | |



美特鋁質 有限公司
MIDI Aluminium Fabricator Ltd.

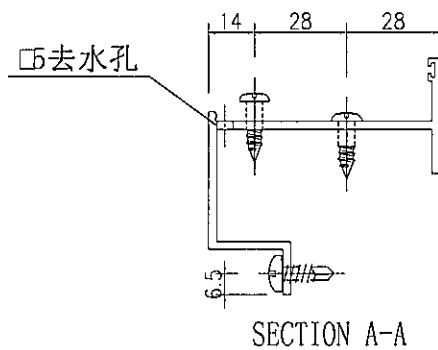
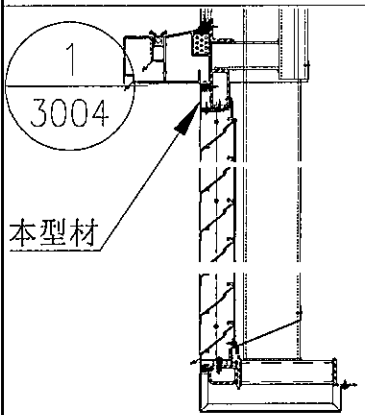
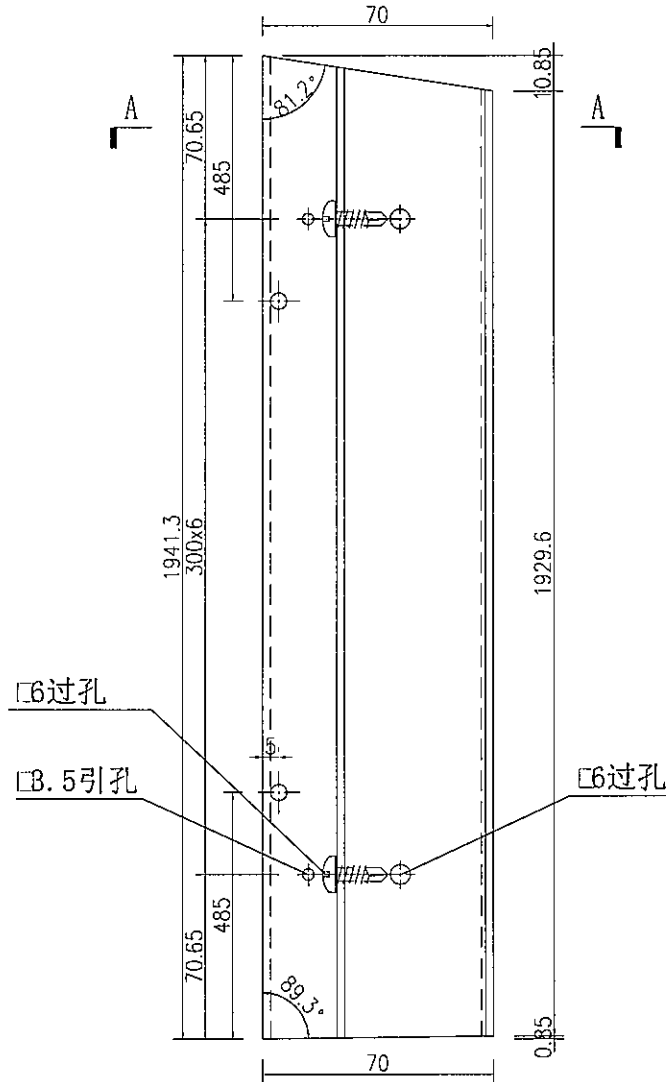
注：此型材為邊位，需地盤複數后方能加工

數量

1

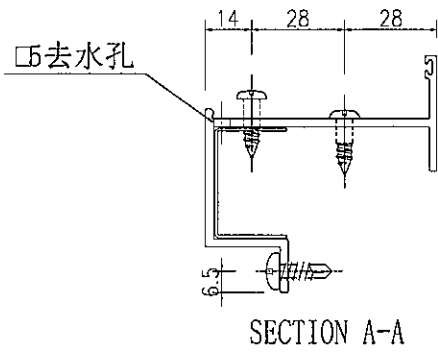
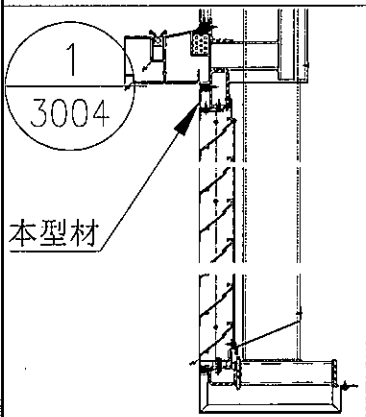
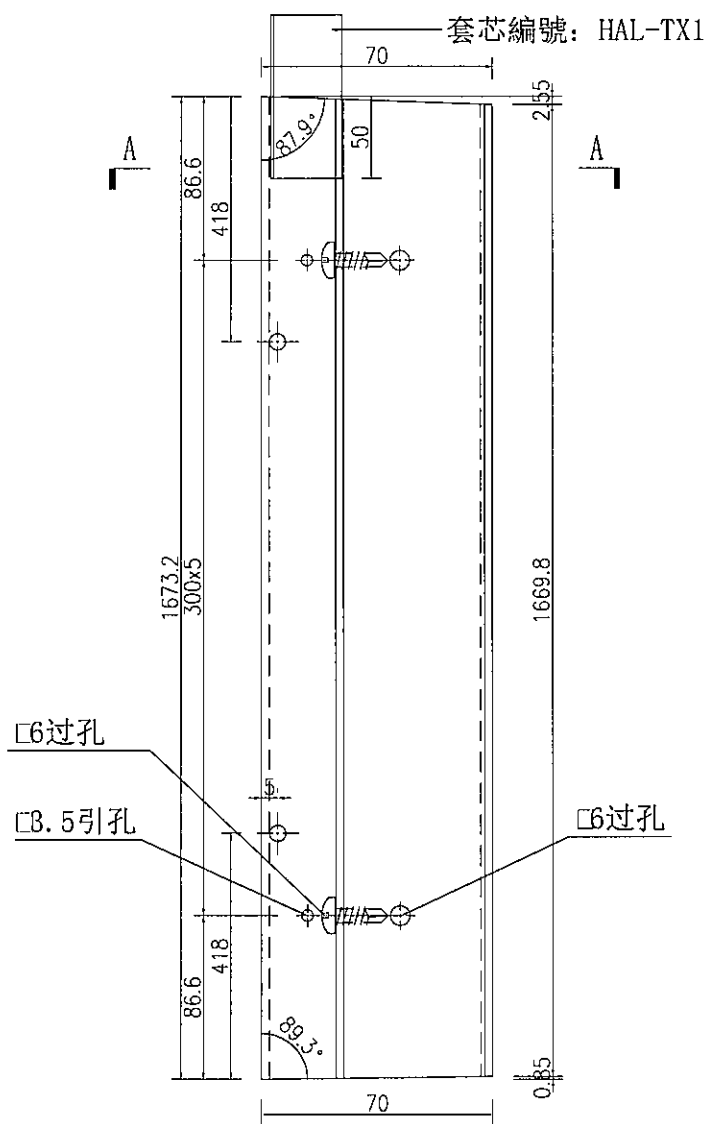
工程號 J-837 地盤 觀塘

可加工



| | | | | | | | |
|----|-------------------|----|-----|-----------|----|----------------|--|
| 名稱 | 百葉頂框加工圖 | 制圖 | 吳禕瑜 | 2019-4-26 | 修改 | | |
| 材料 | X85617 | 復核 | | | 日期 | | |
| 顏色 | EC-DG-S332054 香檳色 | 批准 | | | 圖號 | J837-FC-HAL56B | |

| | | | |
|-----|-------|----|----|
| 工程號 | J-837 | 地盤 | 觀塘 |
|-----|-------|----|----|



| | | | | | | | |
|----|-------------------|----|-----|-----------|----|----------------|--|
| 名稱 | 百葉頂框加工圖 | 制圖 | 吳禕瑜 | 2019-4-26 | 修改 | | |
| 材料 | X85617 | 復核 | | | 日期 | | |
| 顏色 | EC-DG-S332054 香檳色 | 批准 | | | 圖號 | J837-FC-HAL65B | |



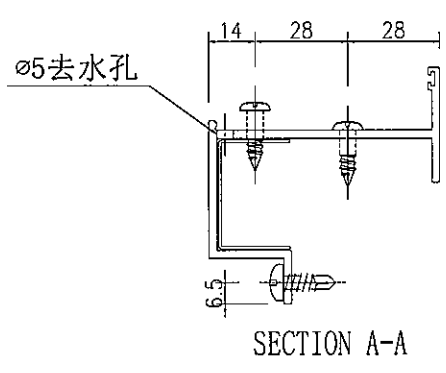
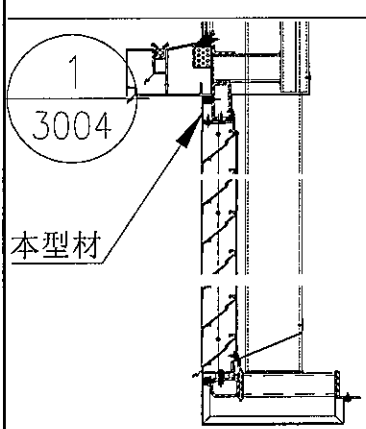
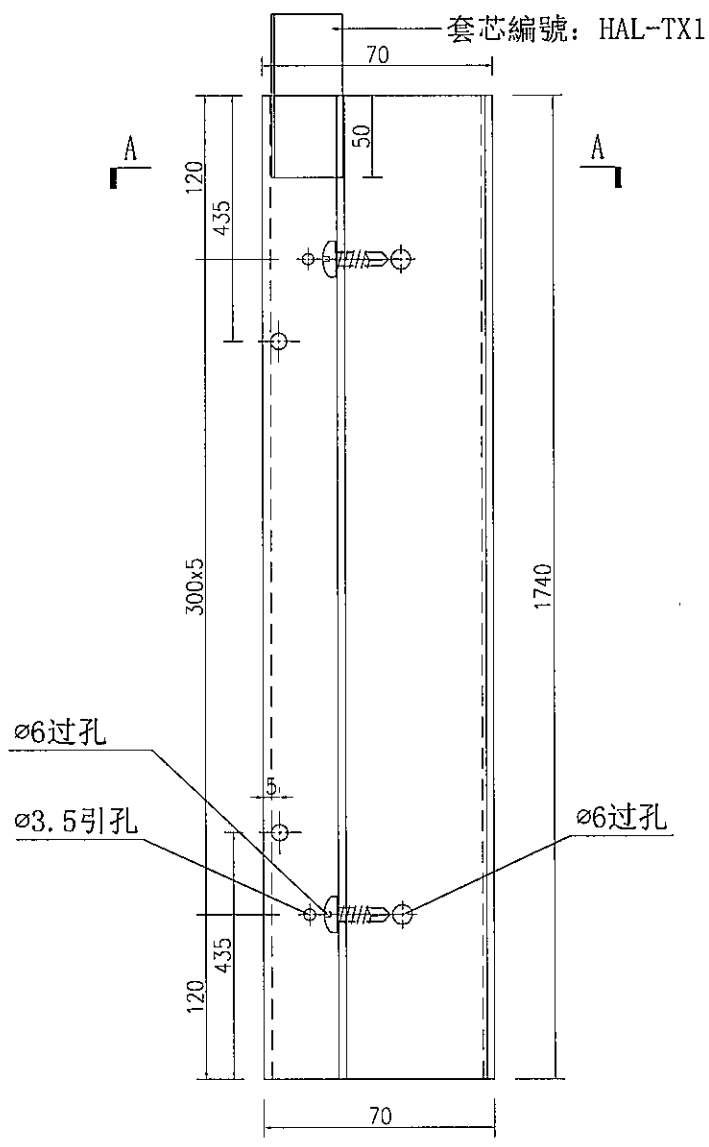
美特鋁質 有限公司
MIDI Aluminium Fabricator Ltd.

注：此型材為邊位，需地盤複數后方能加工

數量
1

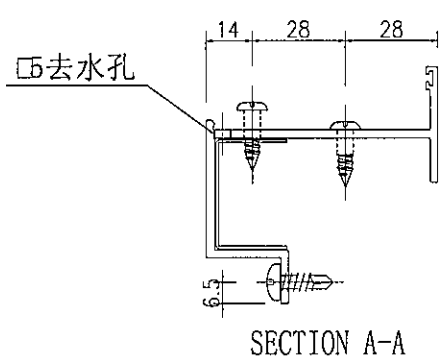
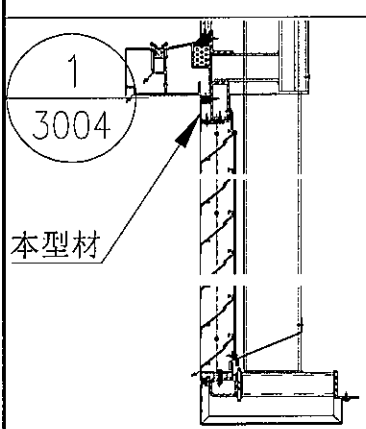
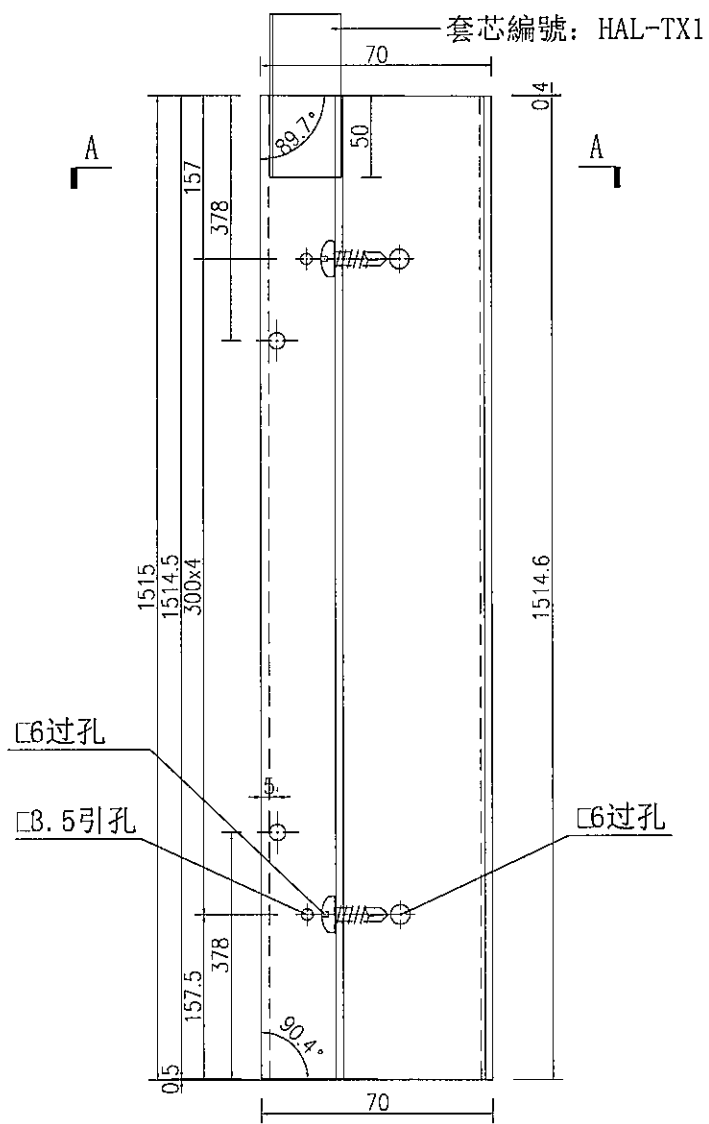
工程號 J-837 地盤 觀塘

可加工



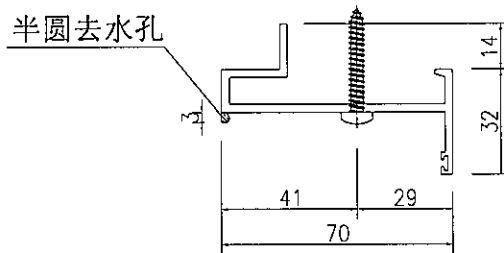
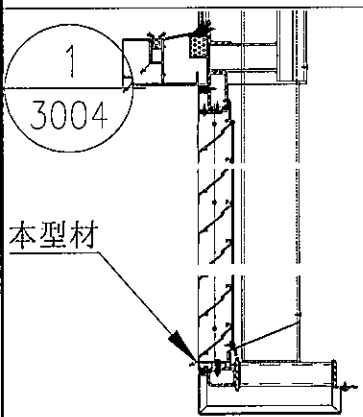
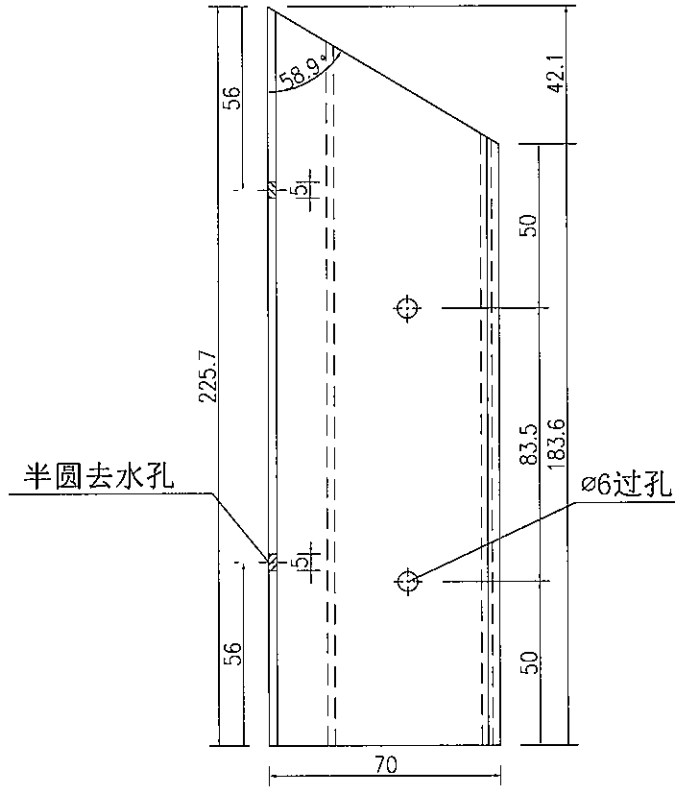
| | | | | | | | |
|----|-------------------|----|-----|-----------|----|----------------|--|
| 名稱 | 百葉頂框加工圖 | 制圖 | 吳禕瑜 | 2019-4-26 | 修改 | | |
| 材料 | X85617 | 復核 | | | 日期 | | |
| 顏色 | EC-DG-S332054 香檳色 | 批准 | | | 圖號 | J837-FC-HAL83B | |

| | | | |
|-----|-------|----|----|
| 工程號 | J-837 | 地盤 | 觀塘 |
|-----|-------|----|----|



| | | | | | | | |
|----|-------------------|----|-----|-----------|----|----------------|--|
| 名稱 | 百葉頂框加工圖 | 制圖 | 吳禕瑜 | 2019-4-26 | 修改 | | |
| 材料 | X85617 | 復核 | | | 日期 | | |
| 顏色 | EC-DG-S332054 香檳色 | 批准 | | | 圖號 | J837-FC-HAL84B | |

工程號 J-837 地盤 觀塘

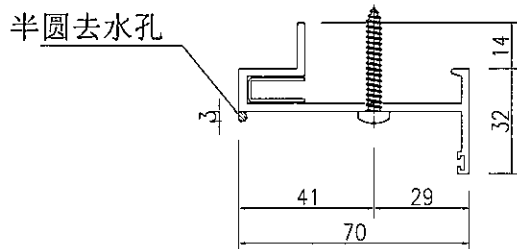
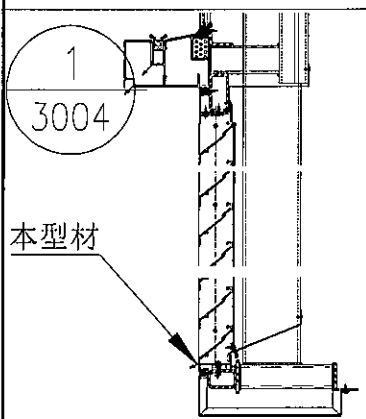
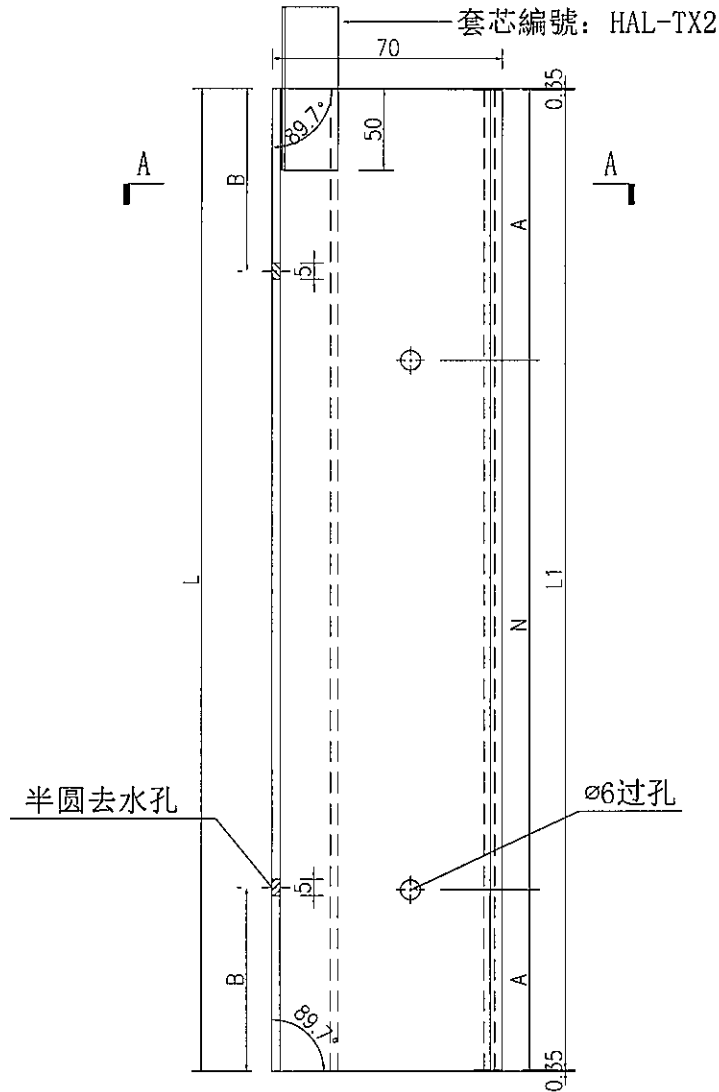


| | | | | | | | |
|----|-------------------|----|-----|-----------|----|----------------|--|
| 名稱 | 百葉底框加工圖 | 制圖 | 吳禕瑜 | 2019-4-26 | 修改 | | |
| 材料 | X85616 | 復核 | | | 日期 | | |
| 顏色 | EC-DG-S332054 香檳色 | 批准 | | | 圖號 | J837-FC-HAL86C | |



數據表見：J837-FC-HAL1C-1

| | | | |
|-----|-------|----|----|
| 工程號 | J-837 | 地盤 | 觀塘 |
|-----|-------|----|----|



| | | | | | | | |
|----|-------------------|----|-----|-----------|----|---------------|--|
| 名稱 | 百葉底框加工圖 | 制圖 | 吳禕瑜 | 2019-4-26 | 修改 | | |
| 材料 | X85616 | 復核 | | | 日期 | | |
| 顏色 | EC-DG-S332054 香檳色 | 批准 | | | 圖號 | J837-FC-HAL1C | |



加工圖見: J837-FC-HAL1C

| | | | |
|-----|-------|----|----|
| 工程號 | J-837 | 地盤 | 觀塘 |
|-----|-------|----|----|

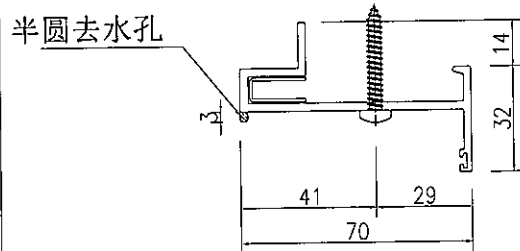
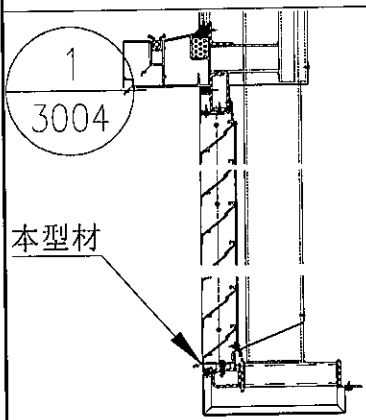
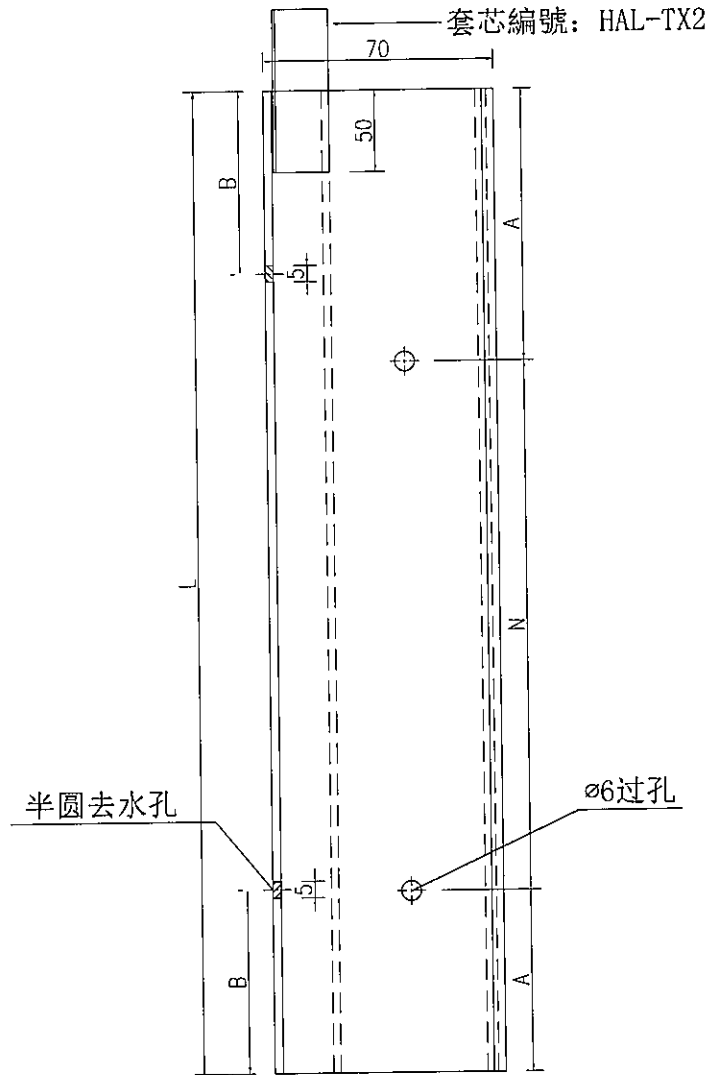
| 序号 | 编号 | 长度L | 长度L1 | 数量 | A | N | | | B |
|----|----------------|--------|--------|----|-------|-----|---|---|-----|
| 1 | J837-FC-HAL1C | 1420.5 | 1419.8 | 13 | 109.9 | 300 | x | 4 | 355 |
| 2 | J837-FC-HAL3C | 1418.5 | 1417.8 | 1 | 108.9 | 300 | x | 4 | 355 |
| 3 | J837-FC-HAL4C | 2029.5 | 2028.8 | 1 | 114.4 | 300 | x | 6 | 507 |
| 4 | J837-FC-HAL5C | 1510.5 | 1509.8 | 2 | 154.9 | 300 | x | 4 | 378 |
| 5 | J837-FC-HAL6C | 1522.5 | 1521.8 | 2 | 160.9 | 300 | x | 4 | 381 |
| 6 | J837-FC-HAL7C | 1338.5 | 1337.8 | 2 | 68.9 | 300 | x | 4 | 335 |
| 7 | J837-FC-HAL8C | 1317.5 | 1316.8 | 1 | 58.4 | 300 | x | 4 | 329 |
| 8 | J837-FC-HAL9C | 1513.5 | 1512.8 | 1 | 156.4 | 300 | x | 4 | 378 |
| 9 | J837-FC-HAL10C | 1508.5 | 1507.8 | 1 | 153.9 | 300 | x | 4 | 377 |
| 10 | J837-FC-HAL11C | 1494.5 | 1493.8 | 2 | 146.9 | 300 | x | 4 | 374 |
| 11 | J837-FC-HAL12C | 2122.5 | 2121.8 | 1 | 160.9 | 300 | x | 6 | 531 |
| 12 | J837-FC-HAL13C | 1589.5 | 1588.8 | 1 | 44.4 | 300 | x | 5 | 397 |
| 13 | J837-FC-HAL14C | 1547.5 | 1546.8 | 1 | 173.4 | 300 | x | 4 | 387 |
| 14 | J837-FC-HAL15C | 1523.5 | 1522.8 | 2 | 161.4 | 300 | x | 4 | 381 |
| 15 | J837-FC-HAL16C | 1340.5 | 1339.8 | 1 | 69.9 | 300 | x | 4 | 335 |
| 16 | J837-FC-HAL17C | 1360.5 | 1359.8 | 7 | 79.9 | 300 | x | 4 | 340 |
| 17 | J837-FC-HAL18C | 1339.5 | 1338.8 | 1 | 69.4 | 300 | x | 4 | 335 |
| 18 | J837-FC-HAL19C | 1521.5 | 1520.8 | 1 | 160.4 | 300 | x | 4 | 380 |
| 19 | J837-FC-HAL20C | 1495.5 | 1494.8 | 1 | 147.4 | 300 | x | 4 | 374 |
| 20 | J837-FC-HAL21C | 1517.5 | 1516.8 | 1 | 158.4 | 300 | x | 4 | 379 |
| 21 | J837-FC-HAL22C | 1512.5 | 1511.8 | 1 | 155.9 | 300 | x | 4 | 378 |

| | | | | | | | | |
|----|-----|----|-----|-----------|----|-----------------|--|--|
| 名稱 | 數據表 | 制圖 | 吳緯瑜 | 2019-4-26 | 修改 | | | |
| 材料 | | 復核 | | | 日期 | | | |
| 顏色 | | 批准 | | | 圖號 | J837-FC-HAL1C-1 | | |



數據表見：J837-FC-HAL24C-1

| | | | |
|-----|-------|----|----|
| 工程號 | J-837 | 地盤 | 觀塘 |
|-----|-------|----|----|



| | | | | | | | |
|----|-------------------|----|-----|-----------|----|----------------|--|
| 名稱 | 百葉底框加工圖 | 制圖 | 吳禕瑜 | 2019-4-26 | 修改 | | |
| 材料 | X85616 | 復核 | | | 日期 | | |
| 顏色 | EC-DG-S332054 香檳色 | 批准 | | | 圖號 | J837-FC-HAL24C | |



加工圖見: J837-FC-HAL24C

| | | | |
|-----|-------|----|----|
| 工程號 | J-837 | 地盤 | 觀塘 |
|-----|-------|----|----|

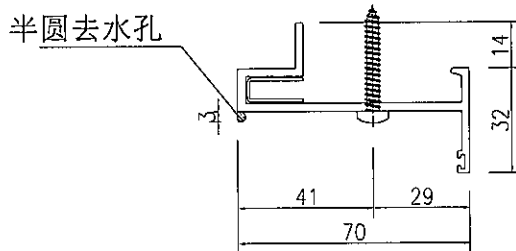
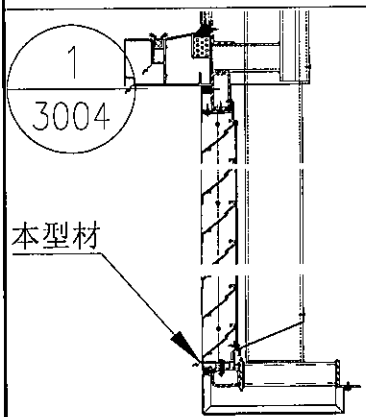
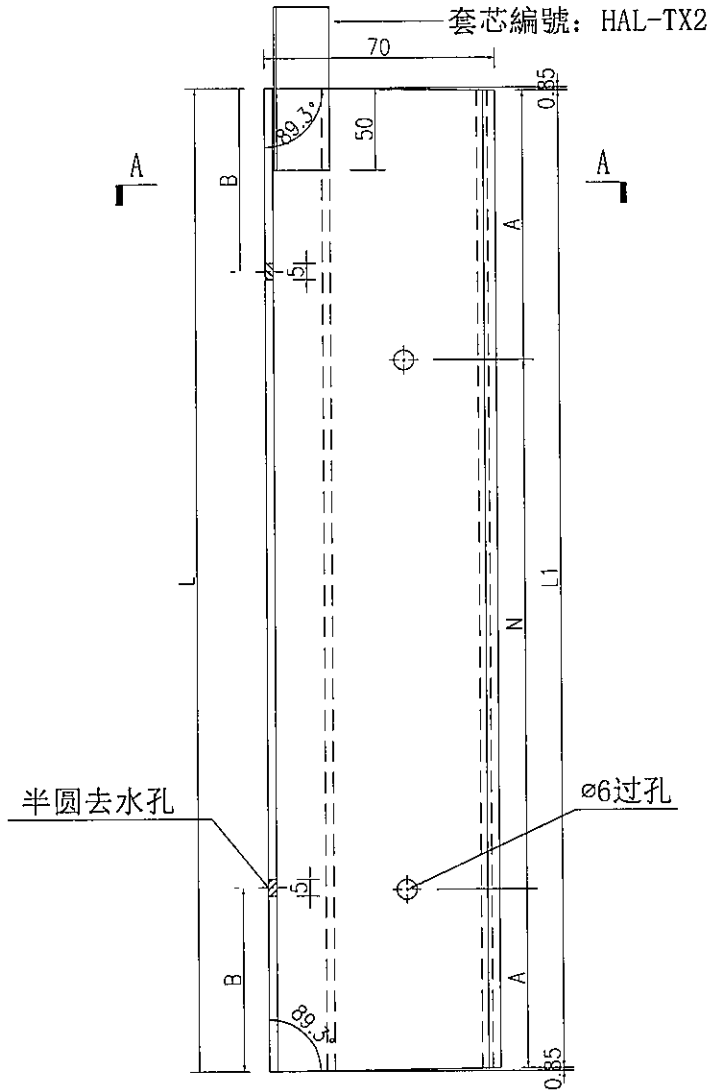
| 序号 | 编号 | 长度L | 数量 | A | N | | B |
|----|----------------|------|----|-------|-----|-----|--------|
| 1 | J837-FC-HAL24C | 1730 | 1 | 115 | 300 | x 5 | 432.5 |
| 2 | J837-FC-HAL25C | 1167 | 2 | 133.5 | 300 | x 3 | 291.75 |
| 3 | J837-FC-HAL26C | 1457 | 2 | 128.5 | 300 | x 4 | 364.25 |
| 4 | J837-FC-HAL27C | 1643 | 1 | 221.5 | 300 | x 4 | 410.75 |
| 5 | J837-FC-HAL28C | 1458 | 1 | 129 | 300 | x 4 | 364.5 |
| 6 | J837-FC-HAL29C | 1242 | 1 | 171 | 300 | x 3 | 310.5 |
| 7 | J837-FC-HAL30C | 1217 | 2 | 158.5 | 300 | x 3 | 304.25 |
| 8 | J837-FC-HAL31C | 1382 | 12 | 91 | 300 | x 4 | 345.5 |
| 9 | J837-FC-HAL74C | 1459 | 1 | 129.5 | 300 | x 4 | 364.75 |
| 10 | J837-FC-HAL75C | 1223 | 1 | 161.5 | 300 | x 3 | 305.75 |
| 11 | J837-FC-HAL77C | 1152 | 1 | 126 | 300 | x 3 | 288 |
| 12 | J837-FC-HAL78C | 1212 | 1 | 156 | 300 | x 3 | 303 |
| 13 | J837-FC-HAL80C | 1114 | 2 | 107 | 300 | x 3 | 278.5 |
| 14 | J837-FC-HAL81C | 1167 | 2 | 133.5 | 300 | x 3 | 291.75 |
| 15 | J837-FC-HAL82C | 1164 | 2 | 132 | 300 | x 3 | 291 |
| 16 | | | | | | | |

| | | | | | | | | |
|----|-----|----|-----|-----------|----|------------------|--|--|
| 名稱 | 數據表 | 制圖 | 吳禕瑜 | 2019-4-26 | 修改 | | | |
| 材料 | | 復核 | | | 日期 | | | |
| 顏色 | | 批准 | | | 圖號 | J837-FC-HAL24C-1 | | |



數據表見：J837-FC-HAL33C-1

| | | | |
|-----|-------|----|----|
| 工程號 | J-837 | 地盤 | 觀塘 |
|-----|-------|----|----|



| | | | | | | | |
|----|-------------------|----|-----|-----------|----|----------------|--|
| 名稱 | 百葉底框加工圖 | 制圖 | 吳禕瑜 | 2019-4-26 | 修改 | | |
| 材料 | X85616 | 復核 | | | 日期 | | |
| 顏色 | EC-DG-S332054 香檳色 | 批准 | | | 圖號 | J837-FC-HAL33C | |



加工圖見：J837-FC-HAL33C

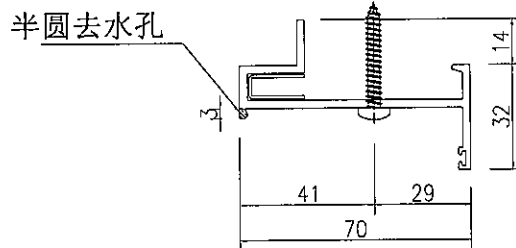
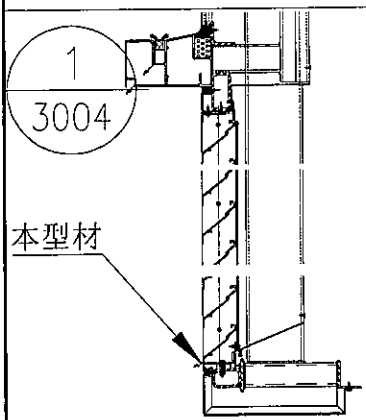
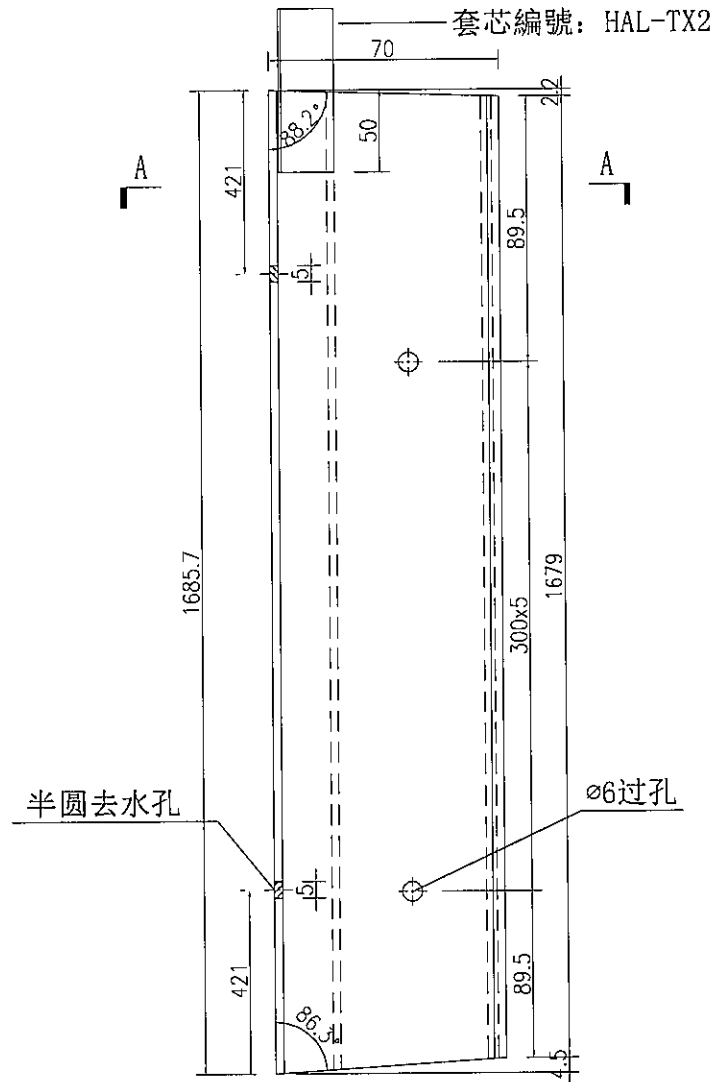
工程號 J-837 地盤 觀塘

| 序号 | 编号 | 长度L | 长度L1 | 数量 | A | N | | | B |
|----|----------------|------|--------|----|--------|-----|---|---|-----|
| 1 | J837-FC-HAL33C | 1373 | 1371.3 | 1 | 85.64 | 300 | x | 4 | 343 |
| 2 | J837-FC-HAL34C | 2290 | 2288.3 | 1 | 94.14 | 300 | x | 7 | 573 |
| 3 | J837-FC-HAL35C | 1520 | 1518.3 | 1 | 159.14 | 300 | x | 4 | 380 |
| 4 | J837-FC-HAL36C | 1479 | 1477.3 | 1 | 138.64 | 300 | x | 4 | 370 |
| 5 | J837-FC-HAL37C | 1567 | 1565.3 | 2 | 182.64 | 300 | x | 4 | 392 |
| 6 | J837-FC-HAL38C | 1459 | 1457.3 | 1 | 128.64 | 300 | x | 4 | 365 |
| 7 | J837-FC-HAL39C | 1520 | 1518.3 | 4 | 159.14 | 300 | x | 4 | 380 |
| 8 | J837-FC-HAL41C | 1515 | 1513.3 | 1 | 156.64 | 300 | x | 4 | 379 |
| 9 | J837-FC-HAL42C | 1704 | 1702.3 | 1 | 101.14 | 300 | x | 5 | 426 |
| 10 | J837-FC-HAL43C | 1405 | 1403.3 | 1 | 101.64 | 300 | x | 4 | 351 |
| 11 | J837-FC-HAL44C | 1721 | 1719.3 | 1 | 109.64 | 300 | x | 5 | 430 |
| 12 | J837-FC-HAL45C | 1633 | 1631.3 | 1 | 65.64 | 300 | x | 5 | 408 |
| 13 | J837-FC-HAL46C | 1524 | 1522.3 | 3 | 161.14 | 300 | x | 4 | 381 |
| 14 | J837-FC-HAL47C | 1463 | 1461.3 | 1 | 130.64 | 300 | x | 4 | 366 |
| 15 | J837-FC-HAL48C | 1585 | 1583.3 | 2 | 191.64 | 300 | x | 4 | 396 |
| 16 | J837-FC-HAL49C | 1980 | 1978.3 | 1 | 89.14 | 300 | x | 6 | 495 |
| 17 | J837-FC-HAL50C | 1417 | 1415.3 | 15 | 107.64 | 300 | x | 4 | 354 |
| 18 | J837-FC-HAL51C | 1820 | 1818.3 | 1 | 159.14 | 300 | x | 5 | 455 |
| 19 | J837-FC-HAL52C | 1269 | 1267.3 | 3 | 33.64 | 300 | x | 4 | 317 |
| 20 | J837-FC-HAL53C | 1500 | 1498.3 | 1 | 149.14 | 300 | x | 4 | 375 |
| 21 | J837-FC-HAL57C | 1424 | 1422.3 | 1 | 111.14 | 300 | x | 4 | 356 |
| 22 | J837-FC-HAL58C | 1308 | 1306.3 | 1 | 53.14 | 300 | x | 4 | 327 |
| 23 | J837-FC-HAL59C | 1577 | 1575.3 | 1 | 187.64 | 300 | x | 4 | 394 |
| 24 | J837-FC-HAL60C | 1565 | 1563.3 | 1 | 181.64 | 300 | x | 4 | 391 |
| 25 | J837-FC-HAL61C | 1331 | 1329.3 | 2 | 64.64 | 300 | x | 4 | 333 |
| 26 | J837-FC-HAL62C | 1285 | 1283.3 | 1 | 41.64 | 300 | x | 4 | 321 |
| 27 | J837-FC-HAL63C | 1247 | 1245.3 | 1 | 172.64 | 300 | x | 3 | 312 |
| 28 | J837-FC-HAL64C | 1627 | 1625.3 | 1 | 62.64 | 300 | x | 5 | 407 |
| 29 | J837-FC-HAL66C | 1211 | 1209.3 | 1 | 154.64 | 300 | x | 3 | 303 |
| 30 | J837-FC-HAL67C | 1228 | 1226.3 | 1 | 163.14 | 300 | x | 3 | 307 |
| 31 | J837-FC-HAL68C | 1261 | 1259.3 | 1 | 179.64 | 300 | x | 3 | 315 |
| 32 | J837-FC-HAL69C | 1754 | 1752.3 | 2 | 126.14 | 300 | x | 5 | 439 |
| 33 | J837-FC-HAL70C | 1362 | 1360.3 | 1 | 80.14 | 300 | x | 4 | 341 |
| 34 | J837-FC-HAL72C | 1991 | 1989.3 | 1 | 94.64 | 300 | x | 6 | 498 |
| 35 | J837-FC-HAL85C | 1411 | 1409.3 | 6 | 104.64 | 300 | x | 4 | 353 |

| | | | | | | | | |
|----|-----|----|-----|-----------|----|------------------|--|--|
| 名稱 | 數據表 | 制圖 | 吳禕瑜 | 2019-4-26 | 修改 | | | |
| 材料 | | 復核 | | | 日期 | | | |
| 顏色 | | 批准 | | | 圖號 | J837-FC-HAL33C-1 | | |



工程號 J-837 地盤 觀塘



| | | | | | | | |
|----|-------------------|----|-----|-----------|----|----------------|--|
| 名稱 | 百葉底框加工圖 | 制圖 | 吳禕瑜 | 2019-4-26 | 修改 | | |
| 材料 | X85616 | 復核 | | | 日期 | | |
| 顏色 | EC-DG-S332054 香檳色 | 批准 | | | 圖號 | J837-FC-HAL40C | |



美特鋁質 有限公司
MIDI Aluminium Fabricator Ltd.

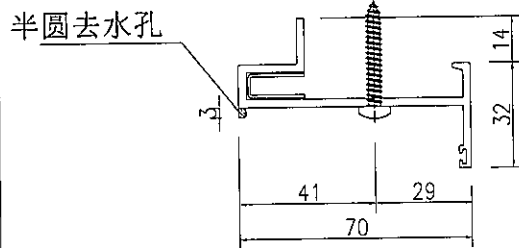
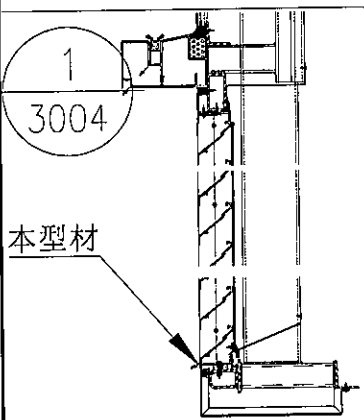
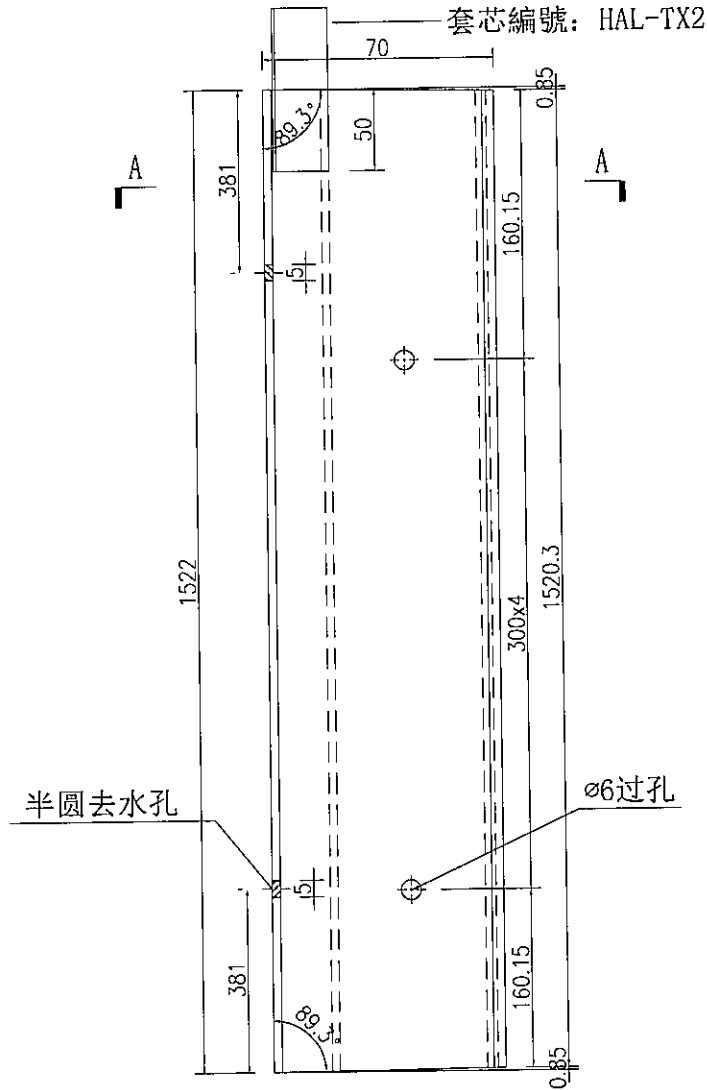
注：此型材為邊位，不確定做法，暫停加工

數量

1

可加工

工程號 J-837 地盤 觀塘



| | | | | | | | |
|----|-------------------|----|-----|-----------|----|----------------|--|
| 名稱 | 百葉底框加工圖 | 制圖 | 吳禕瑜 | 2019-4-26 | 修改 | | |
| 材料 | X85616 | 復核 | | | 日期 | | |
| 顏色 | EC-DG-S332054 香檳色 | 批准 | | | 圖號 | J837-FC-HAL54C | |

EG-DWG3



美特鋁質 有限公司
MIDI Aluminium Fabricator Ltd.

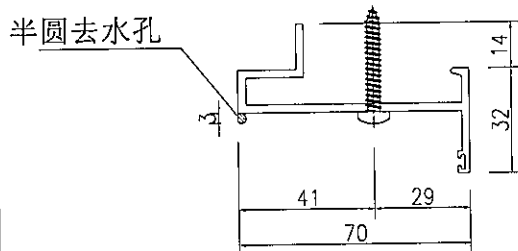
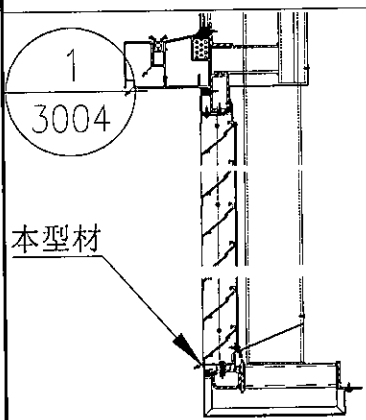
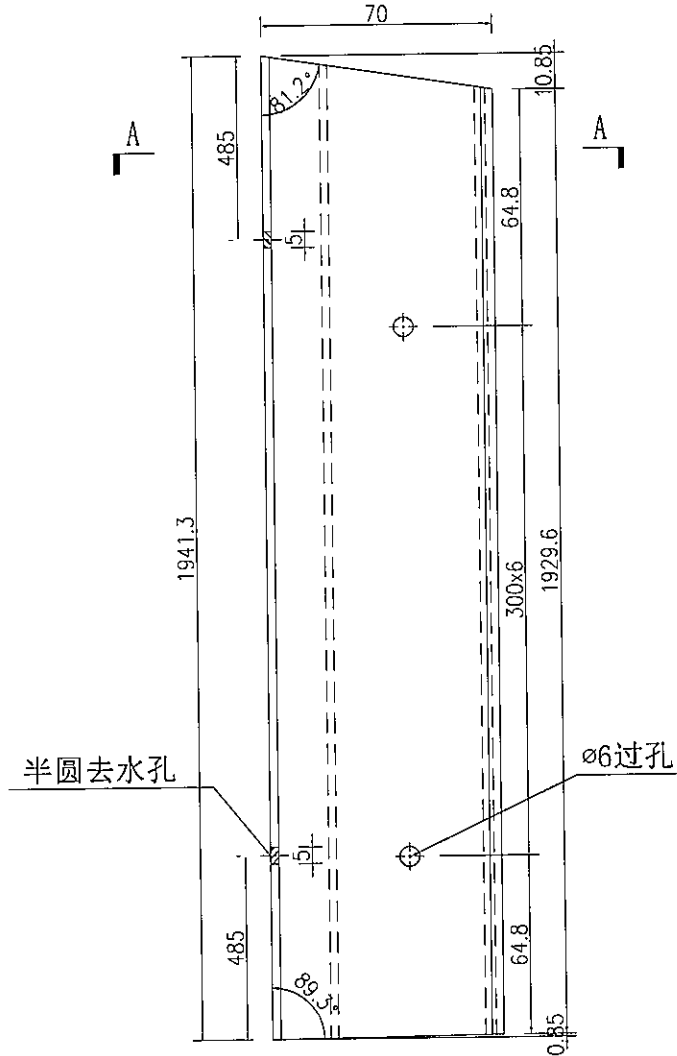
注：此型材為邊位，需地盤複數后方能加工

數量

1

可加工

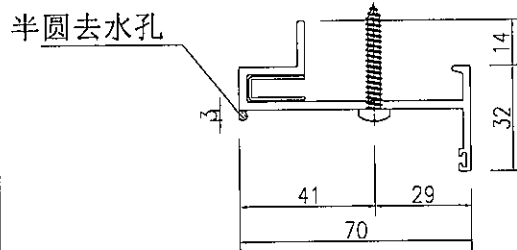
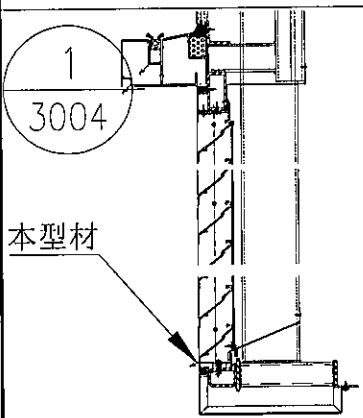
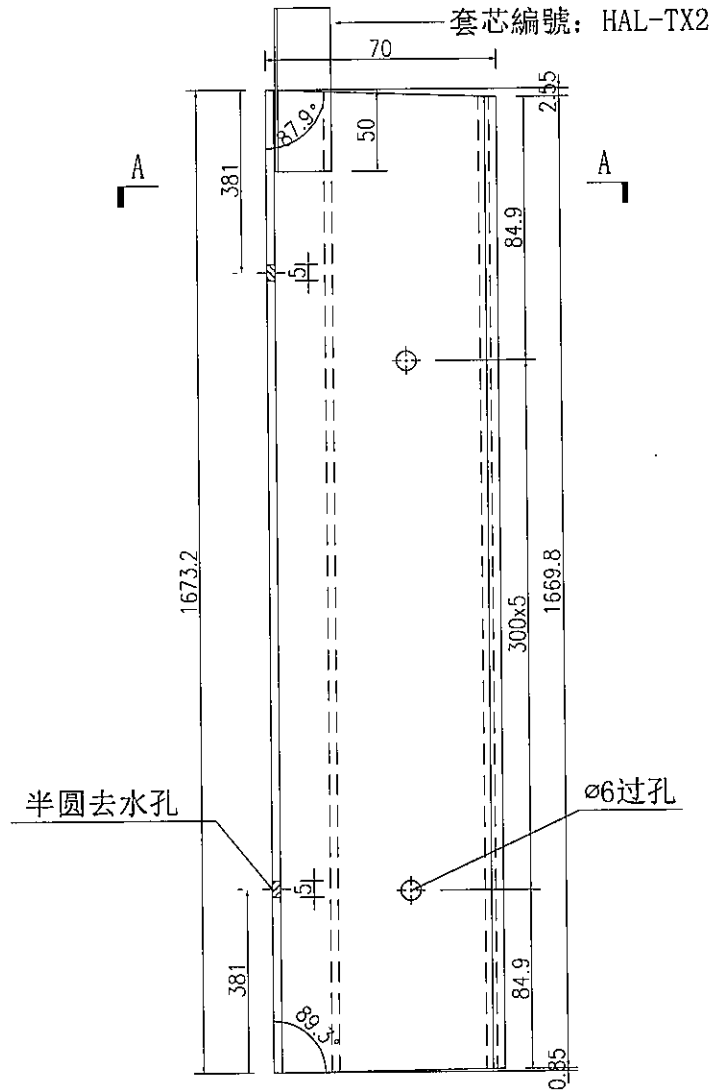
| | | | |
|-----|-------|----|----|
| 工程號 | J-837 | 地盤 | 觀塘 |
|-----|-------|----|----|



| | | | | | | | |
|----|-------------------|----|-----|-----------|----|----------------|--|
| 名稱 | 百葉底框加工圖 | 制圖 | 吳緯瑜 | 2019-4-26 | 修改 | | |
| 材料 | X85616 | 復核 | | | 日期 | | |
| 顏色 | EC-DG-S332054 香檳色 | 批准 | | | 圖號 | J837-FC-HAL56C | |



工程號 J-837 地盤 觀塘



| | | | | | | | |
|----|-------------------|----|-----|-----------|----|----------------|--|
| 名稱 | 百葉底框加工圖 | 制圖 | 吳禕瑜 | 2019-4-26 | 修改 | | |
| 材料 | X85616 | 復核 | | | 日期 | | |
| 顏色 | EC-DG-S332054 香檳色 | 批准 | | | 圖號 | J837-FC-HAL65C | |



美特鋁質 有限公司
MIDI Aluminium Fabricator Ltd.

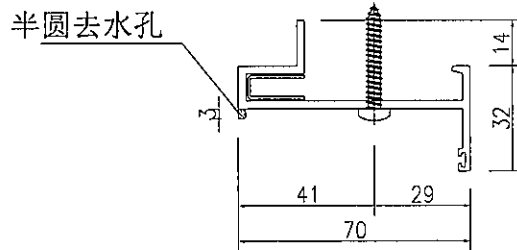
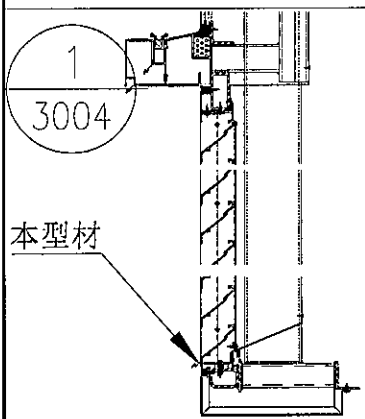
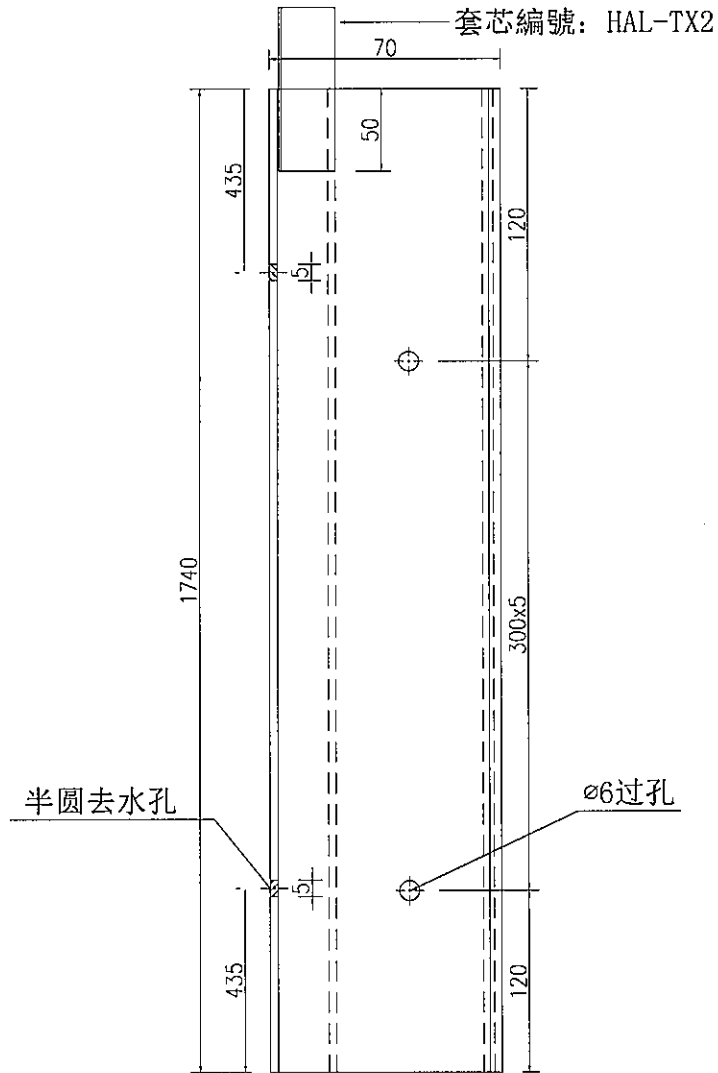
注：此型材為邊位，需地盤複數后方能加工

數量

1

工程號 J-837 地盤 觀塘

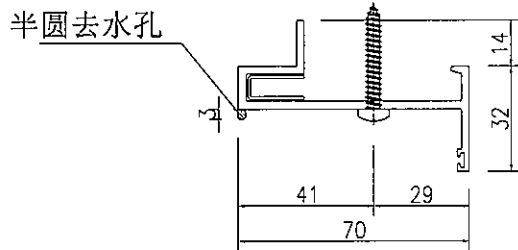
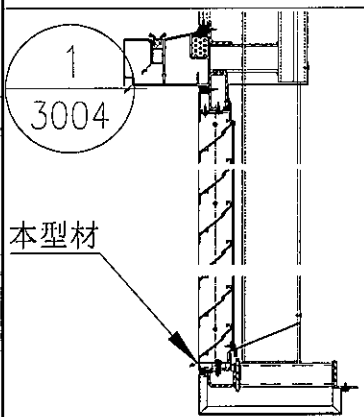
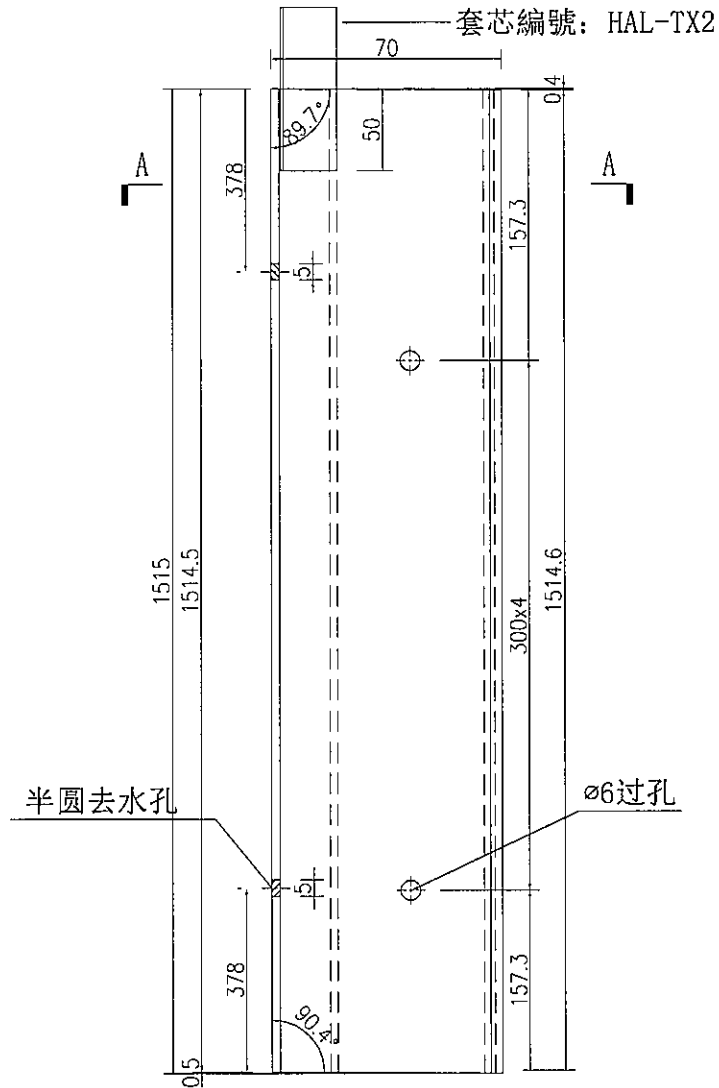
可加工



| | | | | | | | |
|----|-------------------|----|-----|-----------|----|----------------|--|
| 名稱 | 百葉底框加工圖 | 制圖 | 吳禕瑜 | 2019-4-26 | 修改 | | |
| 材料 | X85616 | 復核 | | | 日期 | | |
| 顏色 | EC-DG-S332054 香檳色 | 批准 | | | 圖號 | J837-FC-HAL83C | |



工程號 J-837 地盤 觀塘

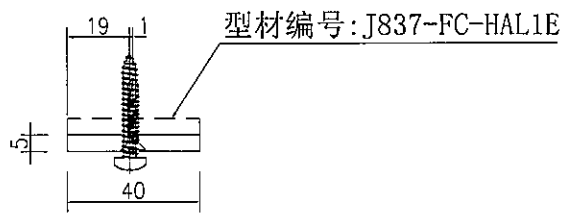
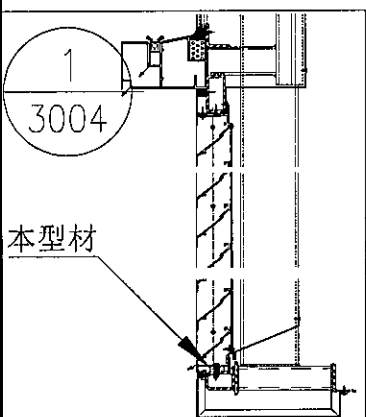
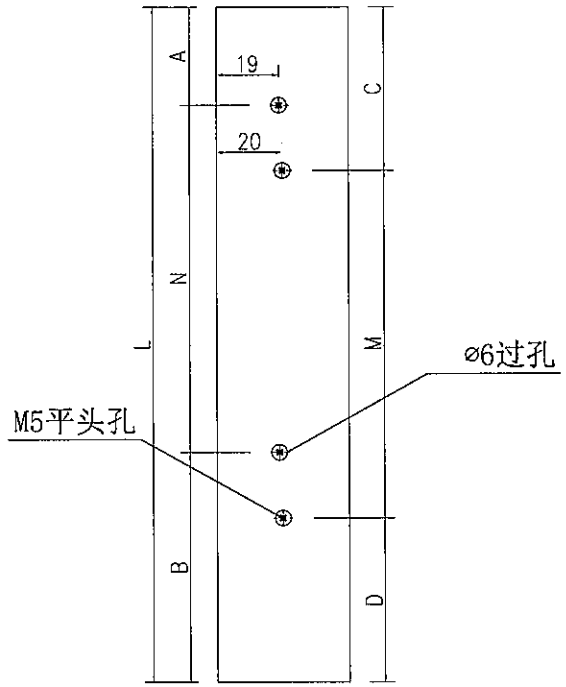


| | | | | | | | |
|----|-------------------|----|-----|-----------|----|----------------|--|
| 名稱 | 百葉底框加工圖 | 制圖 | 吳禕瑜 | 2019-4-26 | 修改 | | |
| 材料 | X85616 | 復核 | | | 日期 | | |
| 顏色 | EC-DG-S332054 香檳色 | 批准 | | | 圖號 | J837-FC-HAL84C | |



數據表見：J837-FC-HAL1D-1~2

| | | | |
|-----|-------|----|----|
| 工程號 | J-837 | 地盤 | 觀塘 |
|-----|-------|----|----|



| | | | | | | | |
|----|-----------|----|-----|-----------|----|---------------|--|
| 名稱 | 鋁巴加工圖 | 制圖 | 吳禕瑜 | 2019-4-26 | 修改 | | |
| 材料 | PE00E3465 | 復核 | | | 日期 | | |
| 顏色 | MILL | 批准 | | | 圖號 | J837-FC-HAL1D | |



美特鋁質 有限公司
MIDI Aluminium Fabricator Ltd.

加工圖見：J837-FC-HAL1D

| | | | |
|-----|-------|----|----|
| 工程號 | J-837 | 地盤 | 觀塘 |
|-----|-------|----|----|

| 序号 | 编号 | 长度L | 数量 | A | N | | B | C | M | | D |
|----|----------------|------|----|-------|-----|-----|-------|-------|-----|-----|-------|
| 1 | J837-FD-HAL1D | 1409 | 13 | 104.5 | 300 | x 4 | 104.5 | 124.5 | 300 | x 4 | 84.5 |
| 2 | J837-FD-HAL3D | 1407 | 1 | 103.5 | 300 | x 4 | 103.5 | 123.5 | 300 | x 4 | 83.5 |
| 3 | J837-FD-HAL4D | 2018 | 1 | 109 | 300 | x 6 | 109 | 129 | 300 | x 6 | 89 |
| 4 | J837-FD-HAL5D | 1499 | 2 | 149.5 | 300 | x 4 | 149.5 | 169.5 | 300 | x 4 | 129.5 |
| 5 | J837-FD-HAL6D | 1511 | 2 | 155.5 | 300 | x 4 | 155.5 | 175.5 | 300 | x 4 | 135.5 |
| 6 | J837-FD-HAL7D | 1327 | 2 | 63.5 | 300 | x 4 | 63.5 | 83.5 | 300 | x 4 | 43.5 |
| 7 | J837-FD-HAL8D | 1306 | 1 | 53 | 300 | x 4 | 53 | 73 | 300 | x 4 | 33 |
| 8 | J837-FD-HAL9D | 1502 | 1 | 151 | 300 | x 4 | 151 | 171 | 300 | x 4 | 131 |
| 9 | J837-FD-HAL10D | 1497 | 1 | 148.5 | 300 | x 4 | 148.5 | 168.5 | 300 | x 4 | 128.5 |
| 10 | J837-FD-HAL11D | 1483 | 2 | 141.5 | 300 | x 4 | 141.5 | 161.5 | 300 | x 4 | 121.5 |
| 11 | J837-FD-HAL12D | 2111 | 1 | 155.5 | 300 | x 6 | 155.5 | 175.5 | 300 | x 6 | 135.5 |
| 12 | J837-FD-HAL13D | 1578 | 1 | 39 | 300 | x 5 | 39 | 59 | 300 | x 5 | 19 |
| 13 | J837-FD-HAL14D | 1536 | 1 | 168 | 300 | x 4 | 168 | 188 | 300 | x 4 | 148 |
| 14 | J837-FD-HAL15D | 1512 | 2 | 156 | 300 | x 4 | 156 | 176 | 300 | x 4 | 136 |
| 15 | J837-FD-HAL16D | 1329 | 1 | 64.5 | 300 | x 4 | 64.5 | 84.5 | 300 | x 4 | 44.5 |
| 16 | J837-FD-HAL17D | 1349 | 7 | 72.5 | 301 | x 4 | 72.5 | 92.5 | 301 | x 4 | 52.5 |
| 17 | J837-FD-HAL18D | 1328 | 1 | 60 | 302 | x 4 | 60 | 80 | 302 | x 4 | 40 |
| 18 | J837-FD-HAL19D | 1510 | 1 | 149 | 303 | x 4 | 149 | 169 | 303 | x 4 | 129 |
| 19 | J837-FD-HAL20D | 1484 | 1 | 134 | 304 | x 4 | 134 | 154 | 304 | x 4 | 114 |
| 20 | J837-FD-HAL21D | 1506 | 1 | 143 | 305 | x 4 | 143 | 163 | 305 | x 4 | 123 |
| 21 | J837-FD-HAL22D | 1501 | 1 | 138.5 | 306 | x 4 | 138.5 | 158.5 | 306 | x 4 | 118.5 |
| 22 | J837-FD-HAL24D | 1720 | 1 | 110 | 300 | x 5 | 110 | 130 | 300 | x 5 | 90 |
| 23 | J837-FD-HAL25D | 1157 | 2 | 128.5 | 300 | x 3 | 128.5 | 148.5 | 300 | x 3 | 108.5 |
| 24 | J837-FD-HAL26D | 1447 | 2 | 123.5 | 300 | x 4 | 123.5 | 143.5 | 300 | x 4 | 103.5 |
| 25 | J837-FD-HAL27D | 1633 | 1 | 216.5 | 300 | x 4 | 216.5 | 236.5 | 300 | x 4 | 196.5 |
| 26 | J837-FD-HAL28D | 1448 | 1 | 124 | 300 | x 4 | 124 | 144 | 300 | x 4 | 104 |
| 27 | J837-FD-HAL29D | 1232 | 1 | 166 | 300 | x 3 | 166 | 186 | 300 | x 3 | 146 |
| 28 | J837-FD-HAL30D | 1207 | 2 | 153.5 | 300 | x 3 | 153.5 | 173.5 | 300 | x 3 | 133.5 |
| 29 | J837-FD-HAL31D | 1372 | 12 | 86 | 300 | x 4 | 86 | 106 | 300 | x 4 | 66 |
| 30 | J837-FD-HAL33D | 1361 | 1 | 80.5 | 300 | x 4 | 80.5 | 100.5 | 300 | x 4 | 60.5 |
| 31 | J837-FD-HAL34D | 2278 | 1 | 89 | 300 | x 7 | 89 | 109 | 300 | x 7 | 69 |
| 32 | J837-FD-HAL35D | 1508 | 1 | 154 | 300 | x 4 | 154 | 174 | 300 | x 4 | 134 |
| 33 | J837-FD-HAL36D | 1467 | 1 | 133.5 | 300 | x 4 | 133.5 | 153.5 | 300 | x 4 | 113.5 |
| 34 | J837-FD-HAL37D | 1555 | 2 | 177.5 | 300 | x 4 | 177.5 | 197.5 | 300 | x 4 | 157.5 |
| 35 | J837-FD-HAL38D | 1447 | 1 | 123.5 | 300 | x 4 | 123.5 | 143.5 | 300 | x 4 | 103.5 |
| 36 | J837-FD-HAL39D | 1508 | 4 | 154 | 300 | x 4 | 154 | 174 | 300 | x 4 | 134 |
| 37 | J837-FD-HAL40D | 1669 | 1 | 84.5 | 300 | x 5 | 84.5 | 104.5 | 300 | x 5 | 64.5 |
| 38 | J837-FD-HAL41D | 1503 | 1 | 151.5 | 300 | x 4 | 151.5 | 171.5 | 300 | x 4 | 131.5 |
| 39 | J837-FD-HAL42D | 1692 | 1 | 96 | 300 | x 5 | 96 | 116 | 300 | x 5 | 76 |

| | | | | | | | |
|----|-----|----|-----|-----------|----|-----------------|--|
| 名稱 | 數據表 | 制圖 | 吳緯瑜 | 2019-4-26 | 修改 | | |
| 材料 | | 復核 | | | 日期 | | |
| 顏色 | | 批准 | | | 圖號 | J837-FC-HAL1D-1 | |



加工圖見：J837-FC-HAL1D

工程號 J-837 地盤 觀塘

| 序号 | 编号 | 长度L | 数量 | A | N | | | B | C | M | | | D |
|----|----------------|--------|----|-------|-----|---|---|-------|-------|-----|---|---|-------|
| 40 | J837-FD-HAL43D | 1393 | 1 | 96.5 | 300 | x | 4 | 96.5 | 116.5 | 300 | x | 4 | 76.5 |
| 41 | J837-FD-HAL44D | 1709 | 1 | 104.5 | 300 | x | 5 | 104.5 | 124.5 | 300 | x | 5 | 84.5 |
| 42 | J837-FD-HAL45D | 1621 | 1 | 60.5 | 300 | x | 5 | 60.5 | 80.5 | 300 | x | 5 | 40.5 |
| 43 | J837-FD-HAL46D | 1512 | 3 | 156 | 300 | x | 4 | 156 | 176 | 300 | x | 4 | 136 |
| 44 | J837-FD-HAL47D | 1451 | 1 | 125.5 | 300 | x | 4 | 125.5 | 145.5 | 300 | x | 4 | 105.5 |
| 45 | J837-FD-HAL48D | 1573 | 2 | 186.5 | 300 | x | 4 | 186.5 | 206.5 | 300 | x | 4 | 166.5 |
| 46 | J837-FD-HAL49D | 1968 | 1 | 84 | 300 | x | 6 | 84 | 104 | 300 | x | 6 | 64 |
| 47 | J837-FD-HAL50D | 1405 | 15 | 102.5 | 300 | x | 4 | 102.5 | 122.5 | 300 | x | 4 | 82.5 |
| 48 | J837-FD-HAL51D | 1808 | 1 | 154 | 300 | x | 5 | 154 | 174 | 300 | x | 5 | 134 |
| 49 | J837-FD-HAL52D | 1257 | 3 | 28.5 | 300 | x | 4 | 28.5 | 48.5 | 300 | x | 4 | 8.5 |
| 50 | J837-FD-HAL53D | 1488 | 1 | 144 | 300 | x | 4 | 144 | 164 | 300 | x | 4 | 124 |
| 51 | J837-FD-HAL54D | 1510 | 1 | 155 | 300 | x | 4 | 155 | 175 | 300 | x | 4 | 135 |
| 52 | J837-FD-HAL56D | 1919.6 | 1 | 59.8 | 300 | x | 6 | 59.8 | 79.8 | 300 | x | 6 | 39.8 |
| 53 | J837-FD-HAL57D | 1412 | 1 | 106 | 300 | x | 4 | 106 | 126 | 300 | x | 4 | 86 |
| 54 | J837-FD-HAL58D | 1296 | 1 | 48 | 300 | x | 4 | 48 | 68 | 300 | x | 4 | 28 |
| 55 | J837-FD-HAL59D | 1565 | 1 | 182.5 | 300 | x | 4 | 182.5 | 202.5 | 300 | x | 4 | 162.5 |
| 56 | J837-FD-HAL60D | 1553 | 1 | 176.5 | 300 | x | 4 | 176.5 | 196.5 | 300 | x | 4 | 156.5 |
| 57 | J837-FD-HAL61D | 1319 | 2 | 59.5 | 300 | x | 4 | 59.5 | 79.5 | 300 | x | 4 | 39.5 |
| 58 | J837-FD-HAL62D | 1273 | 1 | 36.5 | 300 | x | 4 | 36.5 | 56.5 | 300 | x | 4 | 16.5 |
| 59 | J837-FD-HAL63D | 1235 | 1 | 167.5 | 300 | x | 3 | 167.5 | 187.5 | 300 | x | 3 | 147.5 |
| 60 | J837-FD-HAL64D | 1615 | 1 | 57.5 | 300 | x | 5 | 57.5 | 77.5 | 300 | x | 5 | 37.5 |
| 61 | J837-FD-HAL65D | 1659 | 1 | 79.5 | 300 | x | 5 | 79.5 | 99.5 | 300 | x | 5 | 59.5 |
| 62 | J837-FD-HAL66D | 1199 | 1 | 149.5 | 300 | x | 3 | 149.5 | 169.5 | 300 | x | 3 | 129.5 |
| 63 | J837-FD-HAL67D | 1216 | 1 | 158 | 300 | x | 3 | 158 | 178 | 300 | x | 3 | 138 |
| 64 | J837-FD-HAL68D | 1249 | 1 | 174.5 | 300 | x | 3 | 174.5 | 194.5 | 300 | x | 3 | 154.5 |
| 65 | J837-FD-HAL69D | 1742 | 2 | 121 | 300 | x | 5 | 121 | 141 | 300 | x | 5 | 101 |
| 66 | J837-FD-HAL70D | 1350 | 1 | 75 | 300 | x | 4 | 75 | 95 | 300 | x | 4 | 55 |
| 67 | J837-FD-HAL72D | 1979 | 1 | 89.5 | 300 | x | 6 | 89.5 | 109.5 | 300 | x | 6 | 69.5 |
| 68 | J837-FD-HAL74D | 1449 | 1 | 124.5 | 300 | x | 4 | 124.5 | 144.5 | 300 | x | 4 | 104.5 |
| 69 | J837-FD-HAL75D | 1213 | 1 | 156.5 | 300 | x | 3 | 156.5 | 176.5 | 300 | x | 3 | 136.5 |
| 70 | J837-FD-HAL77D | 1142 | 1 | 121 | 300 | x | 3 | 121 | 141 | 300 | x | 3 | 101 |
| 71 | J837-FD-HAL78D | 1202 | 1 | 151 | 300 | x | 3 | 151 | 171 | 300 | x | 3 | 131 |
| 72 | J837-FD-HAL80D | 1104 | 2 | 102 | 300 | x | 3 | 102 | 122 | 300 | x | 3 | 82 |
| 73 | J837-FD-HAL81D | 1157 | 2 | 128.5 | 300 | x | 3 | 128.5 | 148.5 | 300 | x | 3 | 108.5 |
| 74 | J837-FD-HAL82D | 1154 | 2 | 127 | 300 | x | 3 | 127 | 147 | 300 | x | 3 | 107 |
| 75 | J837-FD-HAL83D | 1727 | 1 | 113.5 | 300 | x | 5 | 113.5 | 133.5 | 300 | x | 5 | 93.5 |
| 76 | J837-FD-HAL84D | 1504.6 | 1 | 152.3 | 300 | x | 4 | 152.3 | 172.3 | 300 | x | 4 | 132.3 |
| 77 | J837-FD-HAL85D | 1399 | 6 | 99.5 | 300 | x | 4 | 99.5 | 119.5 | 300 | x | 4 | 79.5 |
| 78 | J837-FD-HAL86D | 180 | 1 | 50 | 80 | x | 1 | 50 | 70 | 80 | x | 1 | 30 |

| | | | | | | | |
|----|-----|----|-----|-----------|----|-----------------|--|
| 名稱 | 數據表 | 制圖 | 吳禕瑜 | 2019-4-26 | 修改 | | |
| 材料 | | 復核 | | | 日期 | | |
| 顏色 | | 批准 | | | 圖號 | J837-FC-HAL1D-2 | |

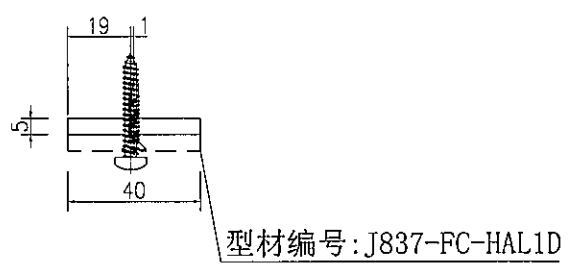
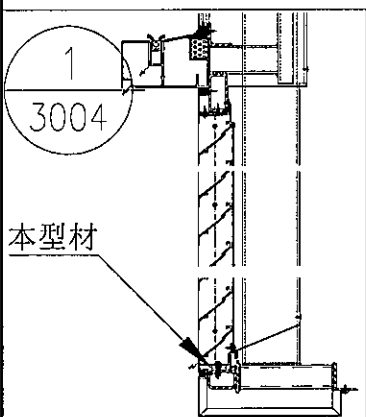
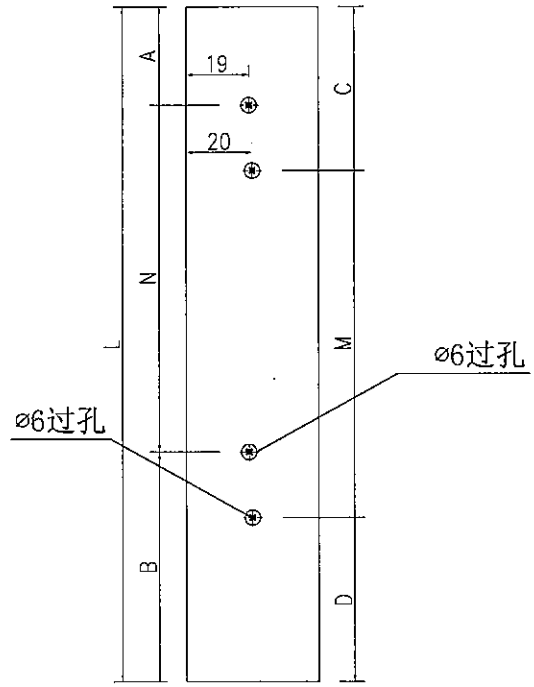
EG-DWG3



美特鋁質 有限公司
MIDI Aluminium Fabricator Ltd.

數據表見：J837-FC-HAL1E-1~2

| | | | |
|-----|-------|----|----|
| 工程號 | J-837 | 地盤 | 觀塘 |
|-----|-------|----|----|



| | | | | | | | |
|----|-----------|----|-----|-----------|----|---------------|--|
| 名稱 | 鋁巴加工圖 | 制圖 | 吳緯瑜 | 2019-4-26 | 修改 | | |
| 材料 | PE00E3465 | 復核 | | | 日期 | | |
| 顏色 | MILL | 批准 | | | 圖號 | J837-FC-HAL1E | |



加工圖見：J837-FC-HAL1E

工程號 J-837 地盤 觀塘

| 序号 | 编号 | 长度L | 数量 | A | N | | B | C | M | | D |
|----|----------------|------|----|-------|-----|-----|-------|-------|-----|-----|-------|
| 1 | J837-FE-HAL1E | 1409 | 13 | 104.5 | 300 | x 4 | 104.5 | 124.5 | 300 | x 4 | 84.5 |
| 2 | J837-FE-HAL3E | 1407 | 1 | 103.5 | 300 | x 4 | 103.5 | 123.5 | 300 | x 4 | 83.5 |
| 3 | J837-FE-HAL4E | 2018 | 1 | 109 | 300 | x 6 | 109 | 129 | 300 | x 6 | 89 |
| 4 | J837-FE-HAL5E | 1499 | 2 | 149.5 | 300 | x 4 | 149.5 | 169.5 | 300 | x 4 | 129.5 |
| 5 | J837-FE-HAL6E | 1511 | 2 | 155.5 | 300 | x 4 | 155.5 | 175.5 | 300 | x 4 | 135.5 |
| 6 | J837-FE-HAL7E | 1327 | 2 | 63.5 | 300 | x 4 | 63.5 | 83.5 | 300 | x 4 | 43.5 |
| 7 | J837-FE-HAL8E | 1306 | 1 | 53 | 300 | x 4 | 53 | 73 | 300 | x 4 | 33 |
| 8 | J837-FE-HAL9E | 1502 | 1 | 151 | 300 | x 4 | 151 | 171 | 300 | x 4 | 131 |
| 9 | J837-FE-HAL10E | 1497 | 1 | 148.5 | 300 | x 4 | 148.5 | 168.5 | 300 | x 4 | 128.5 |
| 10 | J837-FE-HAL11E | 1483 | 2 | 141.5 | 300 | x 4 | 141.5 | 161.5 | 300 | x 4 | 121.5 |
| 11 | J837-FE-HAL12E | 2111 | 1 | 155.5 | 300 | x 6 | 155.5 | 175.5 | 300 | x 6 | 135.5 |
| 12 | J837-FE-HAL13E | 1578 | 1 | 39 | 300 | x 5 | 39 | 59 | 300 | x 5 | 19 |
| 13 | J837-FE-HAL14E | 1536 | 1 | 168 | 300 | x 4 | 168 | 188 | 300 | x 4 | 148 |
| 14 | J837-FE-HAL15E | 1512 | 2 | 156 | 300 | x 4 | 156 | 176 | 300 | x 4 | 136 |
| 15 | J837-FE-HAL16E | 1329 | 1 | 64.5 | 300 | x 4 | 64.5 | 84.5 | 300 | x 4 | 44.5 |
| 16 | J837-FE-HAL17E | 1349 | 7 | 72.5 | 301 | x 4 | 72.5 | 92.5 | 301 | x 4 | 52.5 |
| 17 | J837-FE-HAL18E | 1328 | 1 | 60 | 302 | x 4 | 60 | 80 | 302 | x 4 | 40 |
| 18 | J837-FE-HAL19E | 1510 | 1 | 149 | 303 | x 4 | 149 | 169 | 303 | x 4 | 129 |
| 19 | J837-FE-HAL20E | 1484 | 1 | 134 | 304 | x 4 | 134 | 154 | 304 | x 4 | 114 |
| 20 | J837-FE-HAL21E | 1506 | 1 | 143 | 305 | x 4 | 143 | 163 | 305 | x 4 | 123 |
| 21 | J837-FE-HAL22E | 1501 | 1 | 138.5 | 306 | x 4 | 138.5 | 158.5 | 306 | x 4 | 118.5 |
| 22 | J837-FE-HAL24E | 1720 | 1 | 110 | 300 | x 5 | 110 | 130 | 300 | x 5 | 90 |
| 23 | J837-FE-HAL25E | 1157 | 2 | 128.5 | 300 | x 3 | 128.5 | 148.5 | 300 | x 3 | 108.5 |
| 24 | J837-FE-HAL26E | 1447 | 2 | 123.5 | 300 | x 4 | 123.5 | 143.5 | 300 | x 4 | 103.5 |
| 25 | J837-FE-HAL27E | 1633 | 1 | 216.5 | 300 | x 4 | 216.5 | 236.5 | 300 | x 4 | 196.5 |
| 26 | J837-FE-HAL28E | 1448 | 1 | 124 | 300 | x 4 | 124 | 144 | 300 | x 4 | 104 |
| 27 | J837-FE-HAL29E | 1232 | 1 | 166 | 300 | x 3 | 166 | 186 | 300 | x 3 | 146 |
| 28 | J837-FE-HAL30E | 1207 | 2 | 153.5 | 300 | x 3 | 153.5 | 173.5 | 300 | x 3 | 133.5 |
| 29 | J837-FE-HAL31E | 1372 | 12 | 86 | 300 | x 4 | 86 | 106 | 300 | x 4 | 66 |
| 30 | J837-FE-HAL33E | 1361 | 1 | 80.5 | 300 | x 4 | 80.5 | 100.5 | 300 | x 4 | 60.5 |
| 31 | J837-FE-HAL34E | 2278 | 1 | 89 | 300 | x 7 | 89 | 109 | 300 | x 7 | 69 |
| 32 | J837-FE-HAL35E | 1508 | 1 | 154 | 300 | x 4 | 154 | 174 | 300 | x 4 | 134 |
| 33 | J837-FE-HAL36E | 1467 | 1 | 133.5 | 300 | x 4 | 133.5 | 153.5 | 300 | x 4 | 113.5 |
| 34 | J837-FE-HAL37E | 1555 | 2 | 177.5 | 300 | x 4 | 177.5 | 197.5 | 300 | x 4 | 157.5 |
| 35 | J837-FE-HAL38E | 1447 | 1 | 123.5 | 300 | x 4 | 123.5 | 143.5 | 300 | x 4 | 103.5 |
| 36 | J837-FE-HAL39E | 1508 | 4 | 154 | 300 | x 4 | 154 | 174 | 300 | x 4 | 134 |
| 37 | J837-FE-HAL40E | 1669 | 1 | 84.5 | 300 | x 5 | 84.5 | 104.5 | 300 | x 5 | 64.5 |
| 38 | J837-FE-HAL41E | 1503 | 1 | 151.5 | 300 | x 4 | 151.5 | 171.5 | 300 | x 4 | 131.5 |
| 39 | J837-FE-HAL42E | 1692 | 1 | 96 | 300 | x 5 | 96 | 116 | 300 | x 5 | 76 |

| | | | | | | | |
|----|-----|----|-----|-----------|----|-----------------|--|
| 名稱 | 數據表 | 制圖 | 吳禕瑜 | 2019-4-26 | 修改 | | |
| 材料 | | 復核 | | | 日期 | | |
| 顏色 | | 批准 | | | 圖號 | J837-FC-HAL1E-1 | |



加工圖見：J837-FC-HAL1E

| | | | |
|-----|-------|----|----|
| 工程號 | J-837 | 地盤 | 觀塘 |
|-----|-------|----|----|

| 序号 | 编号 | 长度L | 数量 | A | N | | B | C | M | | D | | |
|----|----------------|--------|----|-------|-----|---|---|-------|-------|-----|---|---|-------|
| 40 | J837-FE-HAL43E | 1393 | 1 | 96.5 | 300 | x | 4 | 96.5 | 116.5 | 300 | x | 4 | 76.5 |
| 41 | J837-FE-HAL44E | 1709 | 1 | 104.5 | 300 | x | 5 | 104.5 | 124.5 | 300 | x | 5 | 84.5 |
| 42 | J837-FE-HAL45E | 1621 | 1 | 60.5 | 300 | x | 5 | 60.5 | 80.5 | 300 | x | 5 | 40.5 |
| 43 | J837-FE-HAL46E | 1512 | 3 | 156 | 300 | x | 4 | 156 | 176 | 300 | x | 4 | 136 |
| 44 | J837-FE-HAL47E | 1451 | 1 | 125.5 | 300 | x | 4 | 125.5 | 145.5 | 300 | x | 4 | 105.5 |
| 45 | J837-FE-HAL48E | 1573 | 2 | 186.5 | 300 | x | 4 | 186.5 | 206.5 | 300 | x | 4 | 166.5 |
| 46 | J837-FE-HAL49E | 1968 | 1 | 84 | 300 | x | 6 | 84 | 104 | 300 | x | 6 | 64 |
| 47 | J837-FE-HAL50E | 1405 | 15 | 102.5 | 300 | x | 4 | 102.5 | 122.5 | 300 | x | 4 | 82.5 |
| 48 | J837-FE-HAL51E | 1808 | 1 | 154 | 300 | x | 5 | 154 | 174 | 300 | x | 5 | 134 |
| 49 | J837-FE-HAL52E | 1257 | 3 | 28.5 | 300 | x | 4 | 28.5 | 48.5 | 300 | x | 4 | 8.5 |
| 50 | J837-FE-HAL53E | 1488 | 1 | 144 | 300 | x | 4 | 144 | 164 | 300 | x | 4 | 124 |
| 51 | J837-FE-HAL54E | 1510 | 1 | 155 | 300 | x | 4 | 155 | 175 | 300 | x | 4 | 135 |
| 52 | J837-FE-HAL56E | 1919.6 | 1 | 59.8 | 300 | x | 6 | 59.8 | 79.8 | 300 | x | 6 | 39.8 |
| 53 | J837-FE-HAL57E | 1412 | 1 | 106 | 300 | x | 4 | 106 | 126 | 300 | x | 4 | 86 |
| 54 | J837-FE-HAL58E | 1296 | 1 | 48 | 300 | x | 4 | 48 | 68 | 300 | x | 4 | 28 |
| 55 | J837-FE-HAL59E | 1565 | 1 | 182.5 | 300 | x | 4 | 182.5 | 202.5 | 300 | x | 4 | 162.5 |
| 56 | J837-FE-HAL60E | 1553 | 1 | 176.5 | 300 | x | 4 | 176.5 | 196.5 | 300 | x | 4 | 156.5 |
| 57 | J837-FE-HAL61E | 1319 | 2 | 59.5 | 300 | x | 4 | 59.5 | 79.5 | 300 | x | 4 | 39.5 |
| 58 | J837-FE-HAL62E | 1273 | 1 | 36.5 | 300 | x | 4 | 36.5 | 56.5 | 300 | x | 4 | 16.5 |
| 59 | J837-FE-HAL63E | 1235 | 1 | 167.5 | 300 | x | 3 | 167.5 | 187.5 | 300 | x | 3 | 147.5 |
| 60 | J837-FE-HAL64E | 1615 | 1 | 57.5 | 300 | x | 5 | 57.5 | 77.5 | 300 | x | 5 | 37.5 |
| 61 | J837-FE-HAL65E | 1659 | 1 | 79.5 | 300 | x | 5 | 79.5 | 99.5 | 300 | x | 5 | 59.5 |
| 62 | J837-FE-HAL66E | 1199 | 1 | 149.5 | 300 | x | 3 | 149.5 | 169.5 | 300 | x | 3 | 129.5 |
| 63 | J837-FE-HAL67E | 1216 | 1 | 158 | 300 | x | 3 | 158 | 178 | 300 | x | 3 | 138 |
| 64 | J837-FE-HAL68E | 1249 | 1 | 174.5 | 300 | x | 3 | 174.5 | 194.5 | 300 | x | 3 | 154.5 |
| 65 | J837-FE-HAL69E | 1742 | 2 | 121 | 300 | x | 5 | 121 | 141 | 300 | x | 5 | 101 |
| 66 | J837-FE-HAL70E | 1350 | 1 | 75 | 300 | x | 4 | 75 | 95 | 300 | x | 4 | 55 |
| 67 | J837-FE-HAL72E | 1979 | 1 | 89.5 | 300 | x | 6 | 89.5 | 109.5 | 300 | x | 6 | 69.5 |
| 68 | J837-FE-HAL74E | 1449 | 1 | 124.5 | 300 | x | 4 | 124.5 | 144.5 | 300 | x | 4 | 104.5 |
| 69 | J837-FE-HAL75E | 1213 | 1 | 156.5 | 300 | x | 3 | 156.5 | 176.5 | 300 | x | 3 | 136.5 |
| 70 | J837-FE-HAL77E | 1142 | 1 | 121 | 300 | x | 3 | 121 | 141 | 300 | x | 3 | 101 |
| 71 | J837-FE-HAL78E | 1202 | 1 | 151 | 300 | x | 3 | 151 | 171 | 300 | x | 3 | 131 |
| 72 | J837-FE-HAL80E | 1104 | 2 | 102 | 300 | x | 3 | 102 | 122 | 300 | x | 3 | 82 |
| 73 | J837-FE-HAL81E | 1157 | 2 | 128.5 | 300 | x | 3 | 128.5 | 148.5 | 300 | x | 3 | 108.5 |
| 74 | J837-FE-HAL82E | 1154 | 2 | 127 | 300 | x | 3 | 127 | 147 | 300 | x | 3 | 107 |
| 75 | J837-FE-HAL83E | 1727 | 1 | 113.5 | 300 | x | 5 | 113.5 | 133.5 | 300 | x | 5 | 93.5 |
| 76 | J837-FE-HAL84E | 1504.6 | 1 | 152.3 | 300 | x | 4 | 152.3 | 172.3 | 300 | x | 4 | 132.3 |
| 77 | J837-FE-HAL85E | 1399 | 6 | 99.5 | 300 | x | 4 | 99.5 | 119.5 | 300 | x | 4 | 79.5 |
| 78 | J837-FE-HAL86E | 180 | 1 | 50 | 80 | x | 1 | 50 | 70 | 80 | x | 1 | 30 |

| | | | | | | | | |
|----|-----|----|-----|-----------|----|-----------------|--|--|
| 名稱 | 數據表 | 制圖 | 吳禕瑜 | 2019-4-26 | 修改 | | | |
| 材料 | | 復核 | | | 日期 | | | |
| 顏色 | | 批准 | | | 圖號 | J837-FC-HAL1E-2 | | |

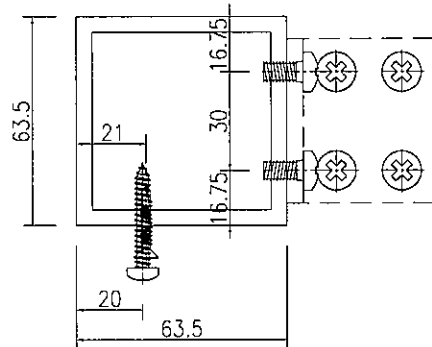
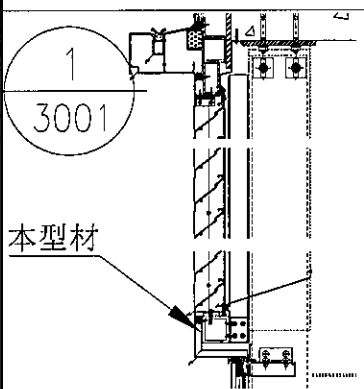
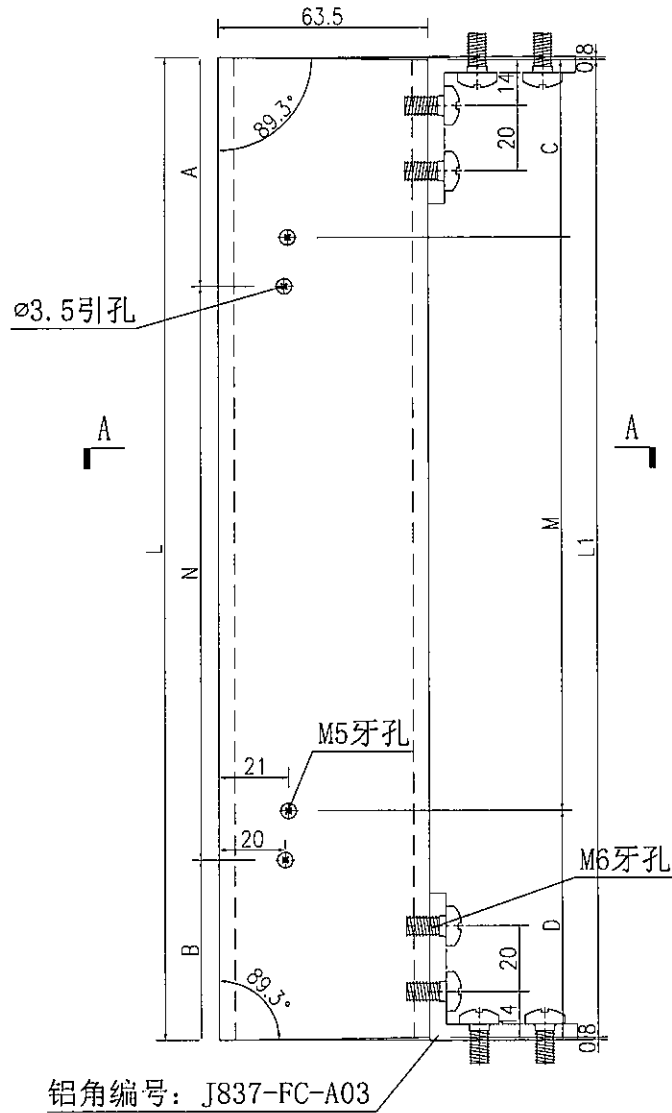
EG-DWG3



美特鋁質 有限公司
MIDI Aluminium Fabricator Ltd.

| 序号 | 编号 | 长度L | 长度L1 | 数量 | A | N | B | C | M | D | |
|----|----------------|--------|------|----|-------|-----|-----|-------|-------|---------|-------|
| 1 | J837-FC-HAL50F | 1342.6 | 1341 | 15 | 71.3 | 300 | x 4 | 71.3 | 90.5 | 300 x 4 | 59.5 |
| 2 | J837-FC-HAL51F | 1745.6 | 1744 | 1 | 122.8 | 300 | x 5 | 122.8 | 142 | 300 x 5 | 102 |
| 3 | J837-FC-HAL52F | 1194.6 | 1193 | 3 | 147.3 | 300 | x 3 | 147.3 | 166.5 | 300 x 3 | 126.5 |
| 4 | J837-FC-HAL77F | 1073.6 | 1072 | 1 | 86.8 | 300 | x 3 | 86.8 | 106 | 300 x 3 | 66 |
| 5 | J837-FC-HAL78F | 1133.6 | 1132 | 1 | 116.8 | 300 | x 3 | 116.8 | 136 | 300 x 3 | 96 |
| 6 | J837-FC-HAL80F | 1035.6 | 1034 | 2 | 67.8 | 300 | x 3 | 67.8 | 87 | 300 x 3 | 47 |
| 7 | J837-FC-HAL81F | 1088.6 | 1087 | 2 | 94.3 | 300 | x 3 | 94.3 | 113.5 | 300 x 3 | 73.5 |
| 8 | J837-FC-HAL82F | 1085.6 | 1084 | 2 | 92.8 | 300 | x 3 | 92.8 | 112 | 300 x 3 | 72 |
| 9 | J837-FC-HAL83F | 1658.6 | 1657 | 1 | 79.3 | 300 | x 5 | 79.3 | 98.5 | 300 x 5 | 58.5 |

工程號 J-837 地盤 觀塘



| | | | | | | |
|----|-----------|----|-----|-----------|----|----------------|
| 名稱 | 方通加工圖 | 制圖 | 吳禱瑜 | 2019-4-26 | 修改 | |
| 材料 | PT0001060 | 復核 | | | 日期 | |
| 顏色 | MILL | 批准 | | | 圖號 | J837-FC-HAL50F |



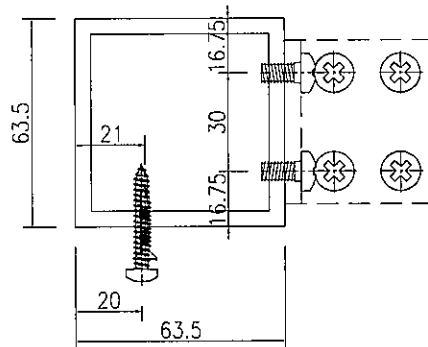
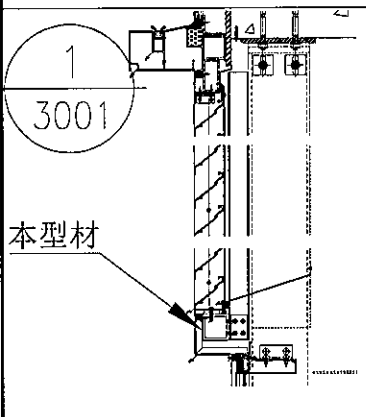
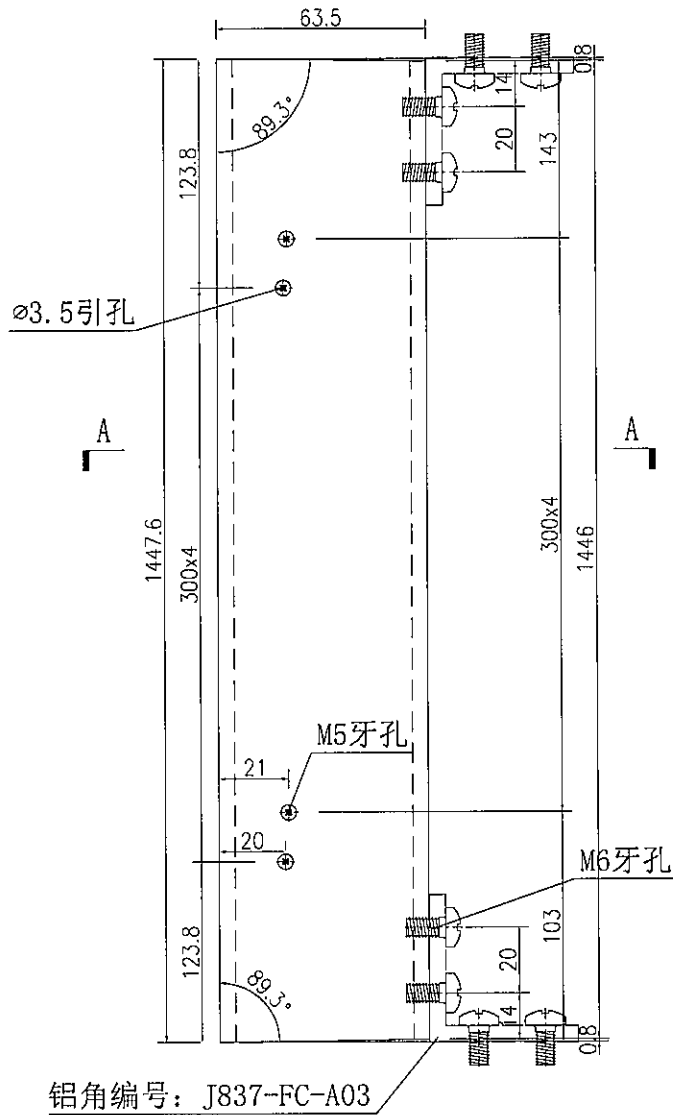
注：此型材為邊位，不確定做法，暫停加工

數量

1

工程號 J-837 地盤 觀塘

可加工

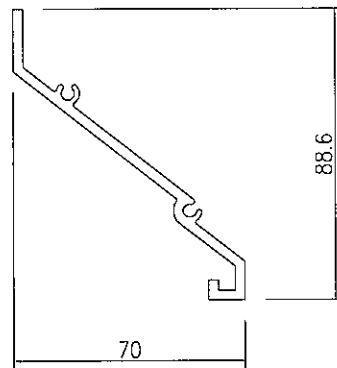
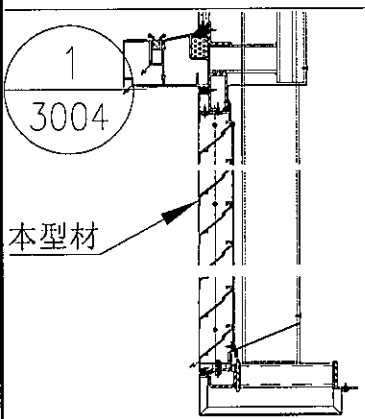
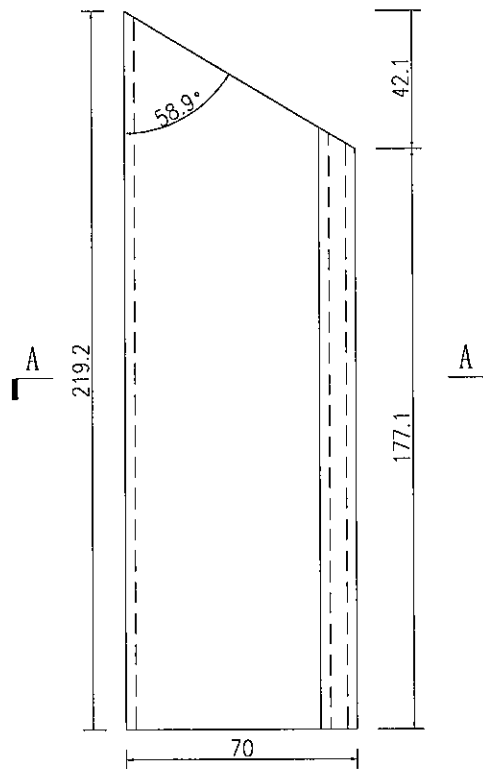


SECTION A-A

| | | | | | | | |
|----|-----------|----|-----|-----------|----|----------------|--|
| 名稱 | 方通加工圖 | 制圖 | 吳禕瑜 | 2019-4-26 | 修改 | | |
| 材料 | PT0001060 | 復核 | | | 日期 | | |
| 顏色 | MILL | 批准 | | | 圖號 | J837-FC-HAL54F | |

美特鋁質 有限公司
MIDI Aluminium Fabricator Ltd.

工程號 J-837 地盤 觀塘



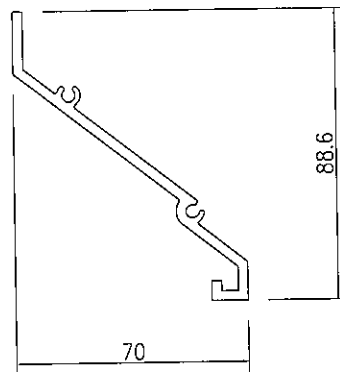
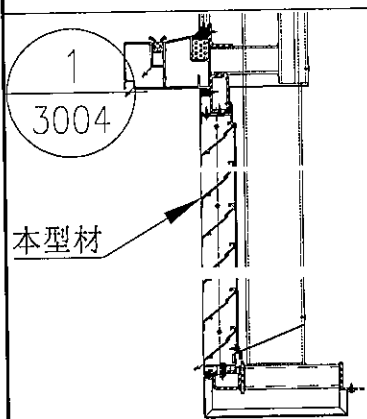
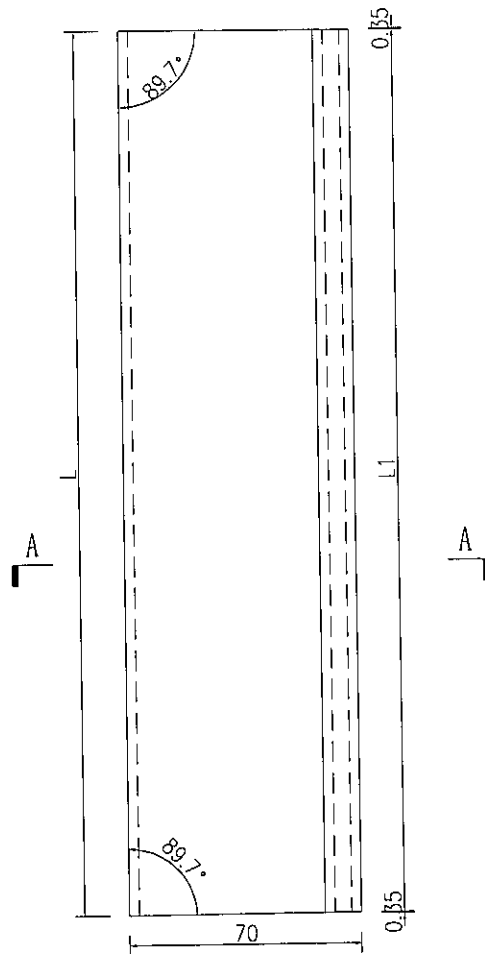
SECTION A-A

| | | | | | | | |
|----|-------------------|----|-----|-----------|----|----------------|--|
| 名稱 | 百葉片加工圖 | 制圖 | 吳禕瑜 | 2019-4-26 | 修改 | | |
| 材料 | X85618 | 復核 | | | 日期 | | |
| 顏色 | EC-DG-S332054 香檳色 | 批准 | | | 圖號 | J837-FC-HAL86G | |



數據表見：J837-FC-HAL1G-1

工程號 J-837 地盤 觀塘



SECTION A-A

| | | | | | | | |
|----|-------------------|----|-----|-----------|----|---------------|--|
| 名稱 | 百葉片加工圖 | 制圖 | 吳禕瑜 | 2019-4-26 | 修改 | | |
| 材料 | X85618 | 復核 | | | 日期 | | |
| 顏色 | EC-DG-S332054 香檳色 | 批准 | | | 圖號 | J837-FC-HAL1G | |



加工圖見：J837-FC-HAL1G

| | | | |
|-----|-------|----|----|
| 工程號 | J-837 | 地盤 | 觀塘 |
|-----|-------|----|----|

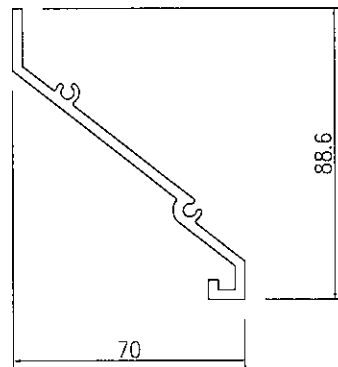
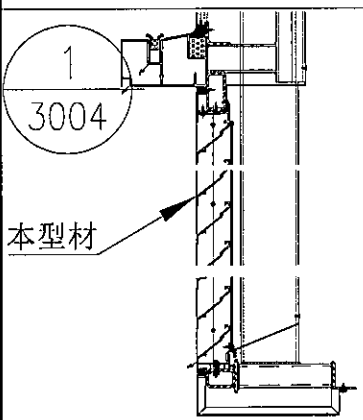
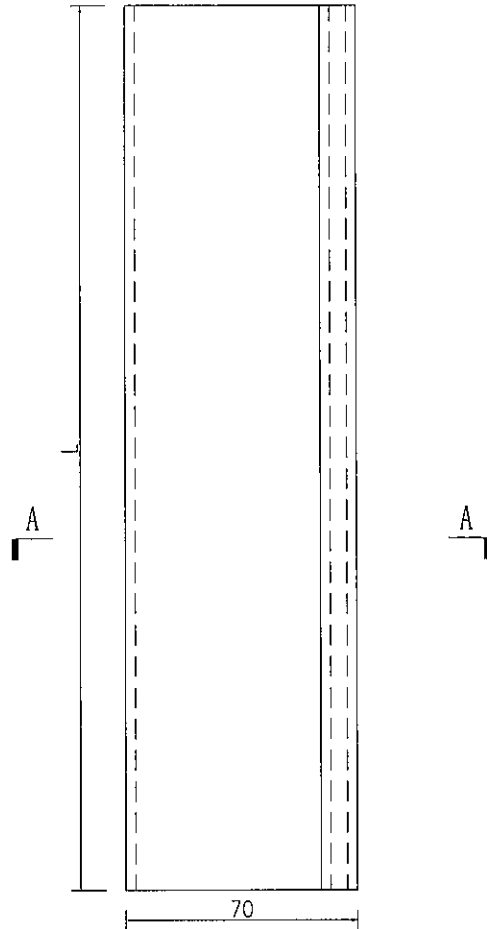
| 序号 | 编号 | 长度L | 长度L1 | 数量 |
|----|----------------|--------|--------|-----|
| 1 | J837-FC-HAL1G | 1414.5 | 1413.8 | 182 |
| 2 | J837-FC-HAL3G | 1412.5 | 1411.8 | 14 |
| 3 | J837-FC-HAL4G | 2023.5 | 2022.8 | 14 |
| 4 | J837-FC-HAL5G | 1504.5 | 1503.8 | 28 |
| 5 | J837-FC-HAL6G | 1516.5 | 1515.8 | 28 |
| 6 | J837-FC-HAL7G | 1332.5 | 1331.8 | 28 |
| 7 | J837-FC-HAL8G | 1311.5 | 1310.8 | 14 |
| 8 | J837-FC-HAL9G | 1507.5 | 1506.8 | 14 |
| 9 | J837-FC-HAL10G | 1502.5 | 1501.8 | 14 |
| 10 | J837-FC-HAL11G | 1488.5 | 1487.8 | 28 |
| 11 | J837-FC-HAL12G | 2116.5 | 2115.8 | 14 |
| 12 | J837-FC-HAL13G | 1583.5 | 1582.8 | 14 |
| 13 | J837-FC-HAL14G | 1541.5 | 1540.8 | 14 |
| 14 | J837-FC-HAL15G | 1517.5 | 1516.8 | 28 |
| 15 | J837-FC-HAL16G | 1334.5 | 1333.8 | 14 |
| 16 | J837-FC-HAL17G | 1354.5 | 1353.8 | 98 |
| 17 | J837-FC-HAL18G | 1333.5 | 1332.8 | 14 |
| 18 | J837-FC-HAL19G | 1515.5 | 1514.8 | 14 |
| 19 | J837-FC-HAL20G | 1489.5 | 1488.8 | 14 |
| 20 | J837-FC-HAL21G | 1511.5 | 1510.8 | 14 |
| 21 | J837-FC-HAL22G | 1506.5 | 1505.8 | 14 |

| | | | | | | | | |
|----|-----|----|-----|-----------|----|-----------------|--|--|
| 名稱 | 數據表 | 制圖 | 吳禕瑜 | 2019-4-26 | 修改 | | | |
| 材料 | | 復核 | | | 日期 | | | |
| 顏色 | | 批准 | | | 圖號 | J837-FC-HAL1G-1 | | |



數據表見：J837-FC-HAL24G-1

| | | | |
|-----|-------|----|----|
| 工程號 | J-837 | 地盤 | 觀塘 |
|-----|-------|----|----|



SECTION A-A

| | | | | | | | |
|----|-------------------|----|-----|-----------|----|----------------|--|
| 名稱 | 百葉片加工圖 | 制圖 | 吳禕瑜 | 2019-4-26 | 修改 | | |
| 材料 | X85618 | 復核 | | | 日期 | | |
| 顏色 | EC-DG-S332054 香檳色 | 批准 | | | 圖號 | J837-FC-HAL24G | |



加工圖見：J837-FC-HAL24G

工程號 J-837 地盤 觀塘

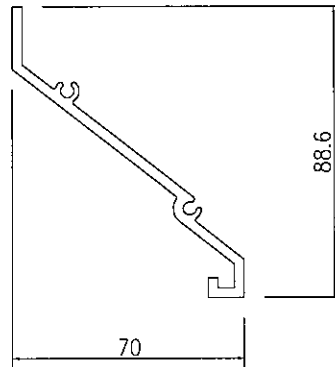
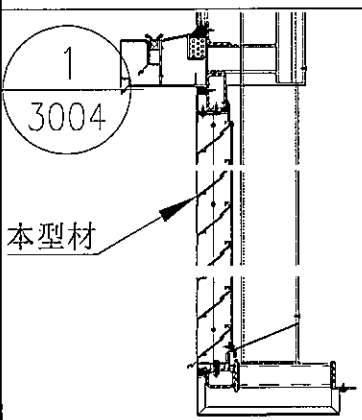
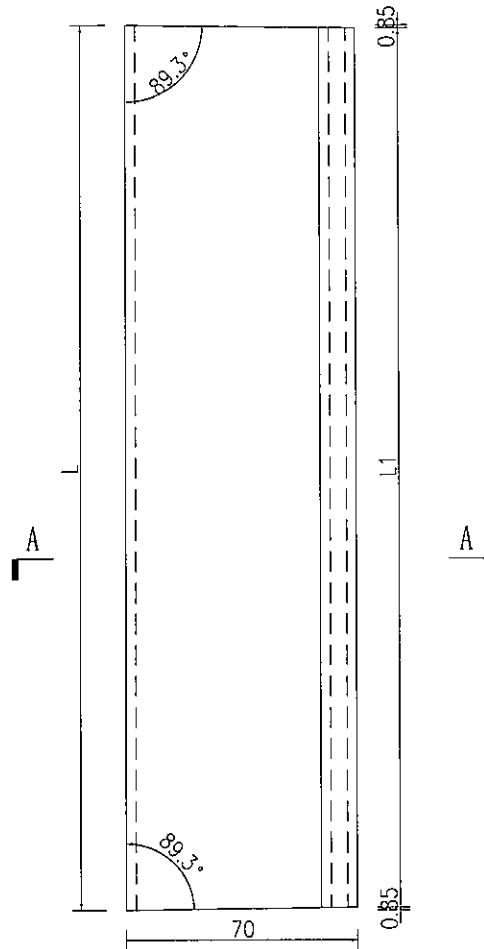
| 序号 | 编号 | 长度L | 数量 |
|----|----------------|------|-----|
| 1 | J837-FG-HAL24G | 1724 | 14 |
| 2 | J837-FG-HAL25G | 1161 | 28 |
| 3 | J837-FG-HAL26G | 1451 | 28 |
| 4 | J837-FG-HAL27G | 1637 | 14 |
| 5 | J837-FG-HAL28G | 1452 | 14 |
| 6 | J837-FG-HAL29G | 1236 | 14 |
| 7 | J837-FG-HAL30G | 1211 | 28 |
| 8 | J837-FG-HAL31G | 1376 | 168 |
| 9 | J837-FG-HAL74G | 1453 | 14 |
| 10 | J837-FG-HAL75G | 1217 | 14 |
| 11 | J837-FG-HAL77G | 1146 | 14 |
| 12 | J837-FG-HAL78G | 1206 | 14 |
| 13 | J837-FG-HAL80G | 1108 | 28 |
| 14 | J837-FG-HAL81G | 1161 | 28 |
| 15 | J837-FG-HAL82G | 1158 | 28 |
| 16 | | | |

| | | | | | | | | |
|----|-----|----|-----|-----------|----|------------------|--|--|
| 名稱 | 數據表 | 制圖 | 吳禕瑜 | 2019-4-26 | 修改 | | | |
| 材料 | | 復核 | | | 日期 | | | |
| 顏色 | | 批准 | | | 圖號 | J837-FC-HAL24G-1 | | |



數據表見：J837-FC-HAL33G-1

工程號 J-837 地盤 觀塘



SECTION A-A

| | | | | | | | |
|----|-------------------|----|-----|-----------|----|----------------|--|
| 名稱 | 百葉片加工圖 | 制圖 | 吳禕瑜 | 2019-4-26 | 修改 | | |
| 材料 | X85618 | 復核 | | | 日期 | | |
| 顏色 | EC-DG-S332054 香檳色 | 批准 | | | 圖號 | J837-FC-HAL33G | |



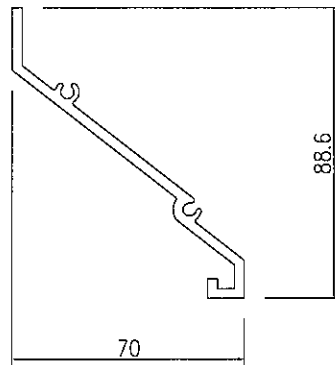
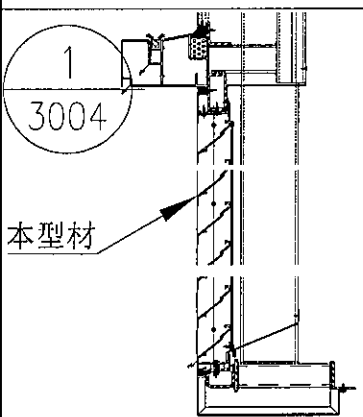
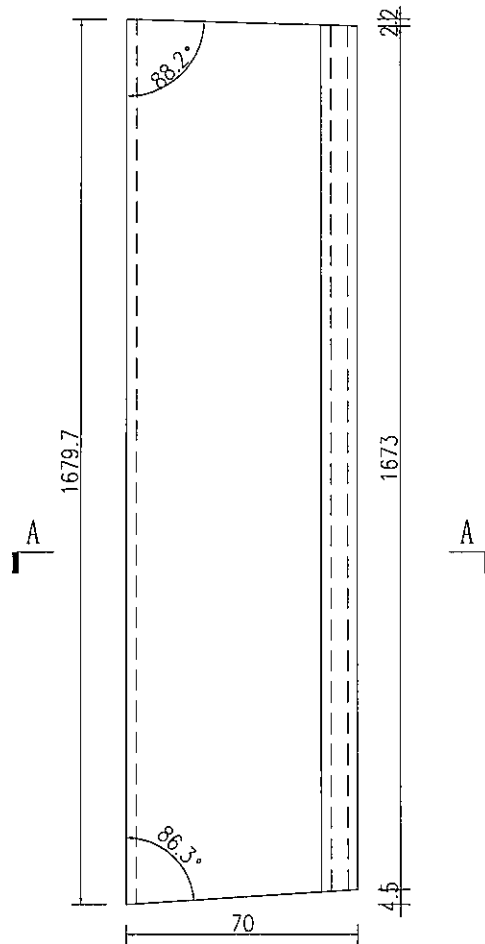
加工圖見：J837-FC-HAL33G

| | | | |
|-----|-------|----|----|
| 工程號 | J-837 | 地盤 | 觀塘 |
|-----|-------|----|----|

| 序号 | 编号 | 长度L | 长度L1 | 数量 |
|----|----------------|------|--------|-----|
| 1 | J837-FC-HAL33G | 1367 | 1365.3 | 14 |
| 2 | J837-FC-HAL34G | 2284 | 2282.3 | 14 |
| 3 | J837-FC-HAL35G | 1514 | 1512.3 | 14 |
| 4 | J837-FC-HAL36G | 1473 | 1471.3 | 14 |
| 5 | J837-FC-HAL37G | 1561 | 1559.3 | 28 |
| 6 | J837-FC-HAL38G | 1453 | 1451.3 | 14 |
| 7 | J837-FC-HAL39G | 1514 | 1512.3 | 56 |
| 8 | J837-FC-HAL41G | 1509 | 1507.3 | 14 |
| 9 | J837-FC-HAL42G | 1698 | 1696.3 | 14 |
| 10 | J837-FC-HAL43G | 1399 | 1397.3 | 14 |
| 11 | J837-FC-HAL44G | 1715 | 1713.3 | 14 |
| 12 | J837-FC-HAL45G | 1627 | 1625.3 | 14 |
| 13 | J837-FC-HAL46G | 1518 | 1516.3 | 42 |
| 14 | J837-FC-HAL47G | 1457 | 1455.3 | 14 |
| 15 | J837-FC-HAL48G | 1579 | 1577.3 | 28 |
| 16 | J837-FC-HAL49G | 1974 | 1972.3 | 14 |
| 17 | J837-FC-HAL50G | 1411 | 1409.3 | 210 |
| 18 | J837-FC-HAL51G | 1814 | 1812.3 | 14 |
| 19 | J837-FC-HAL52G | 1263 | 1261.3 | 42 |
| 20 | J837-FC-HAL53G | 1494 | 1492.3 | 14 |
| 21 | J837-FC-HAL57G | 1418 | 1416.3 | 14 |
| 22 | J837-FC-HAL58G | 1302 | 1300.3 | 14 |
| 23 | J837-FC-HAL59G | 1571 | 1569.3 | 14 |
| 24 | J837-FC-HAL60G | 1559 | 1557.3 | 14 |
| 25 | J837-FC-HAL61G | 1325 | 1323.3 | 28 |
| 26 | J837-FC-HAL62G | 1279 | 1277.3 | 14 |
| 27 | J837-FC-HAL63G | 1241 | 1239.3 | 14 |
| 28 | J837-FC-HAL64G | 1621 | 1619.3 | 14 |
| 29 | J837-FC-HAL66G | 1205 | 1203.3 | 14 |
| 30 | J837-FC-HAL67G | 1222 | 1220.3 | 14 |
| 31 | J837-FC-HAL68G | 1255 | 1253.3 | 14 |
| 32 | J837-FC-HAL69G | 1748 | 1746.3 | 28 |
| 33 | J837-FC-HAL70G | 1356 | 1354.3 | 14 |
| 34 | J837-FC-HAL72G | 1985 | 1983.3 | 14 |
| 35 | J837-FC-HAL85G | 1405 | 1403.3 | 84 |

| | | | | | | | |
|----|-------------------|----|-----|-----------|----|------------------|--|
| 名稱 | 百葉片加工圖 | 制圖 | 吳禕瑜 | 2019-4-26 | 修改 | | |
| 材料 | X85618 | 復核 | | | 日期 | | |
| 顏色 | EC-DG-S332054 香檳色 | 批准 | | | 圖號 | J837-FC-HAL33G-1 | |

工程號 J-837 地盤 觀塘



SECTION A-A

| | | | | | | | |
|----|-------------------|----|-----|-----------|----|----------------|--|
| 名稱 | 百葉片加工圖 | 制圖 | 吳禕瑜 | 2019-4-26 | 修改 | | |
| 材料 | X85618 | 復核 | | | 日期 | | |
| 顏色 | EC-DG-S332054 香檳色 | 批准 | | | 圖號 | J837-FC-HAL40G | |

EG-DWG3



美特鋁質 有限公司
MIDI Aluminium Fabricator Ltd.

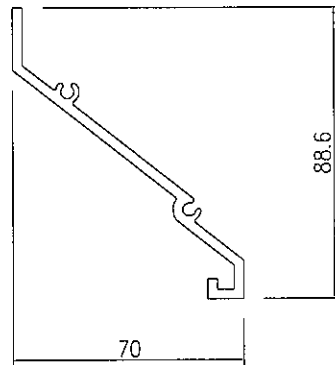
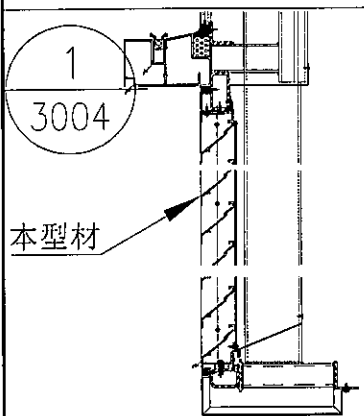
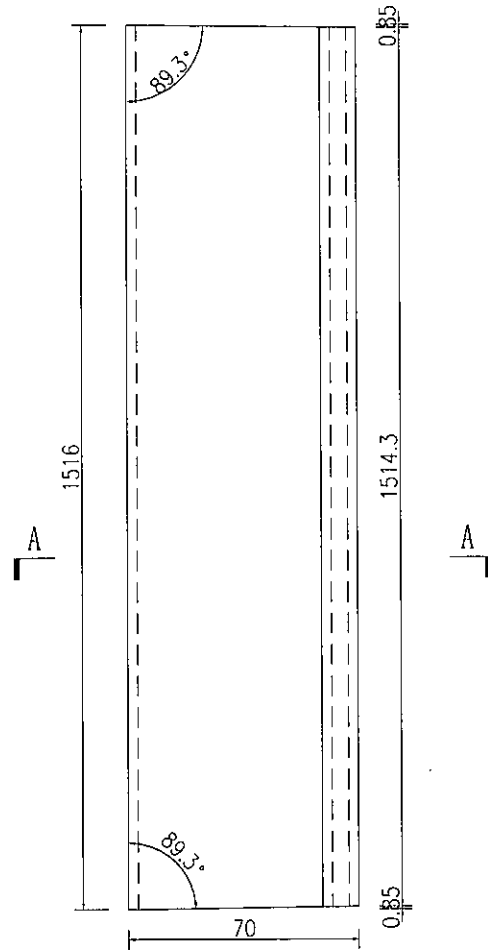
注：此型材為邊位，不確定做法，暫停加工

數量

14

工程號 J-837 地盤 觀塘

可加工



SECTION A-A

| | | | | | | | |
|----|-------------------|----|-----|-----------|----|----------------|--|
| 名稱 | 百葉片加工圖 | 制圖 | 吳禕瑜 | 2019-4-26 | 修改 | | |
| 材料 | X85618 | 復核 | | | 日期 | | |
| 顏色 | EC-DG-S332054 香檳色 | 批准 | | | 圖號 | J837-FC-HAL54C | |



美特鋁質 有限公司
MIDI Aluminium Fabricator Ltd.

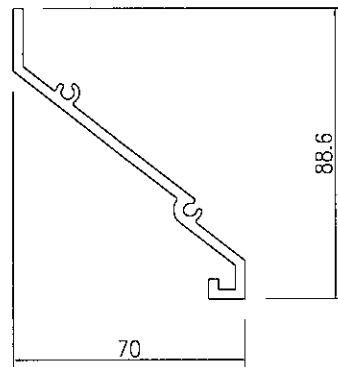
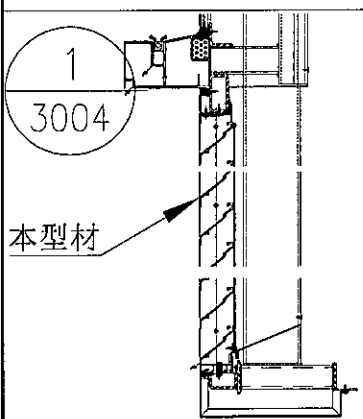
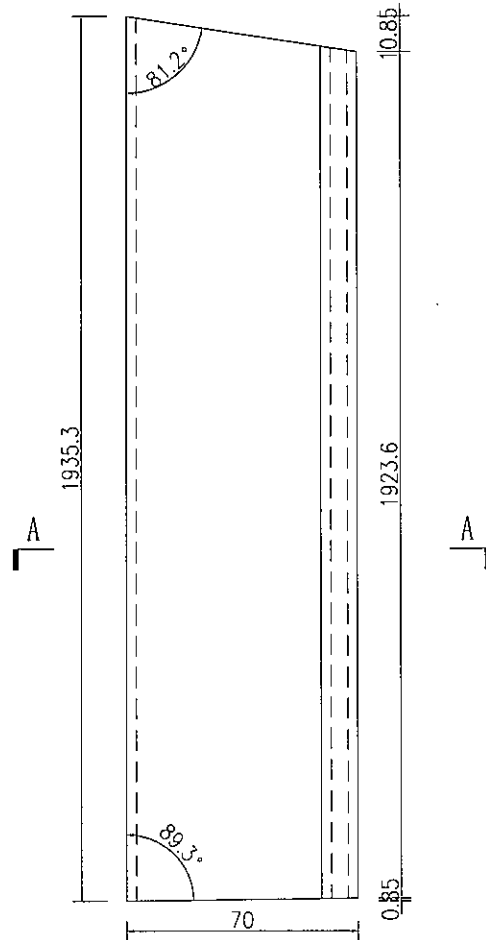
注：此型材為邊位，需地盤複數后方能加工

數量

14

工程號 J-837 地盤 觀塘

可加工



SECTION A-A

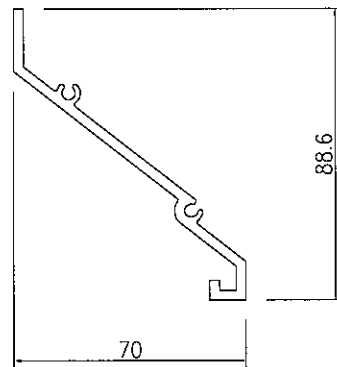
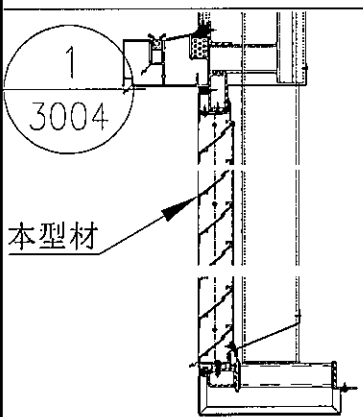
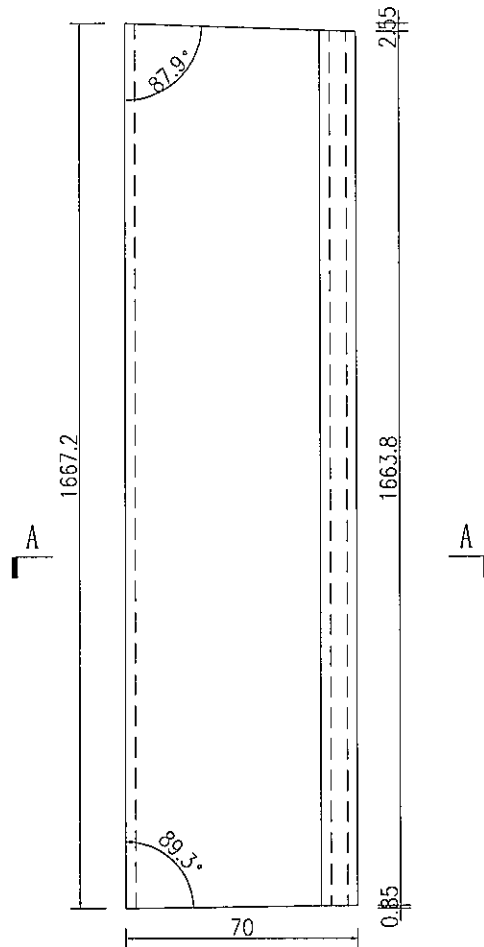
| | | | | | | | |
|----|-------------------|----|-----|-----------|----|----------------|--|
| 名稱 | 百葉片加工圖 | 制圖 | 吳禕瑜 | 2019-4-26 | 修改 | | |
| 材料 | X85618 | 復核 | | | 日期 | | |
| 顏色 | EC-DG-S332054 香檳色 | 批准 | | | 圖號 | J837-FC-HAL56G | |



數量

14

工程號 J-837 地盤 觀塘



SECTION A-A

| | | | | | | | |
|----|-------------------|----|-----|-----------|----|----------------|--|
| 名稱 | 百葉片加工圖 | 制圖 | 吳禕瑜 | 2019-4-26 | 修改 | | |
| 材料 | X85618 | 復核 | | | 日期 | | |
| 顏色 | EC-DG-S332054 香檳色 | 批准 | | | 圖號 | J837-FC-HAL65G | |

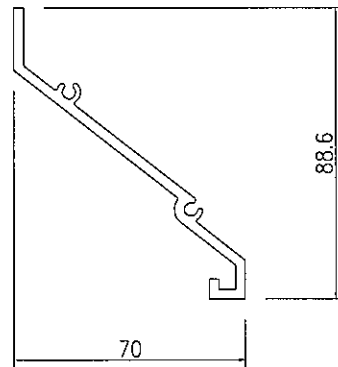
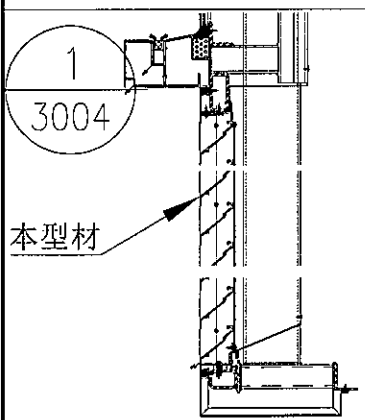
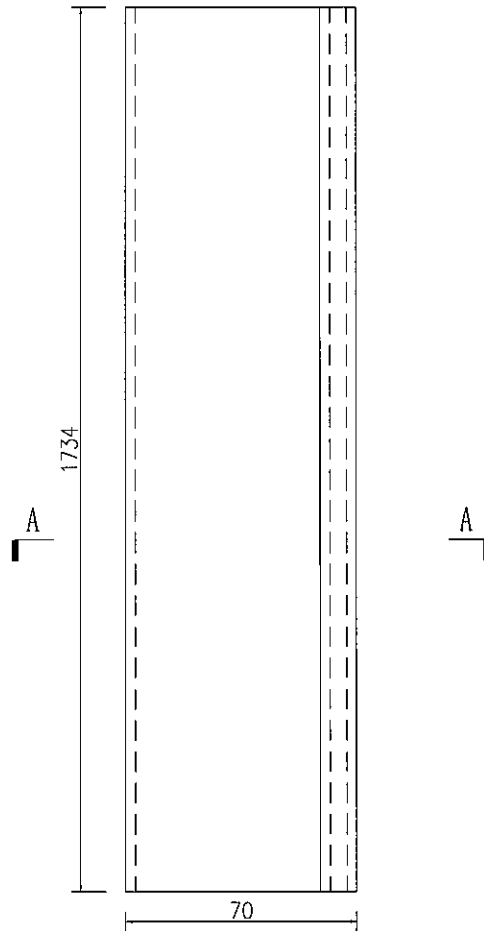
注：此型材為邊位，需地盤複數后方能加工

數量

14

工程號 J-837 地盤 觀塘

可加工

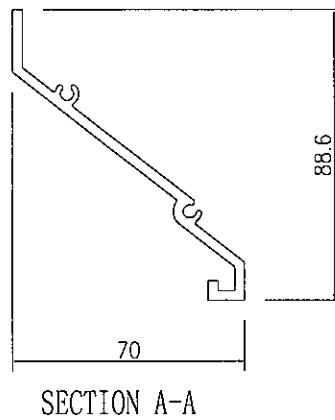
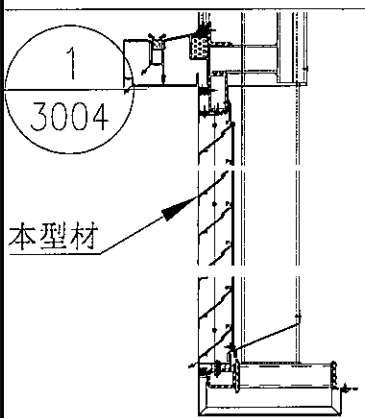
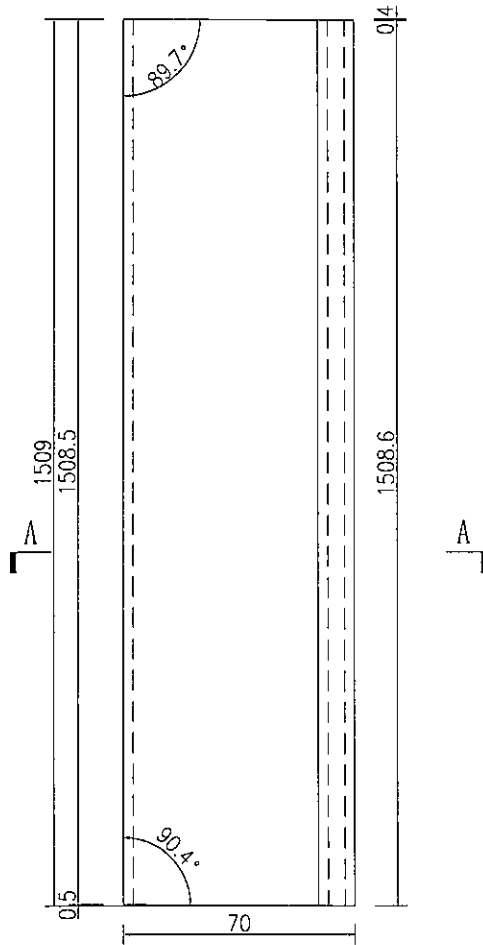


SECTION A-A

| | | | | | | | |
|----|-------------------|----|-----|-----------|----|----------------|--|
| 名稱 | 百葉片加工圖 | 制圖 | 吳禕瑜 | 2019-4-26 | 修改 | | |
| 材料 | X85618 | 復核 | | | 日期 | | |
| 顏色 | EC-DG-S332054 香檳色 | 批准 | | | 圖號 | J837-FC-HAL83G | |

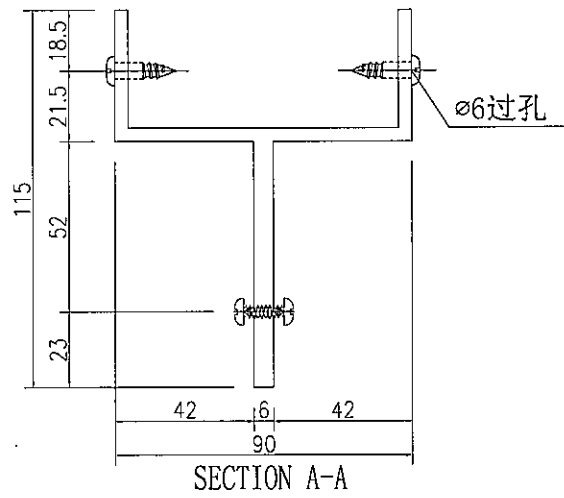
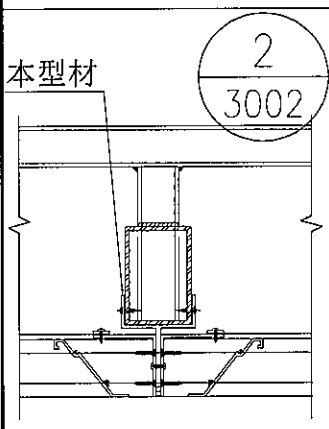
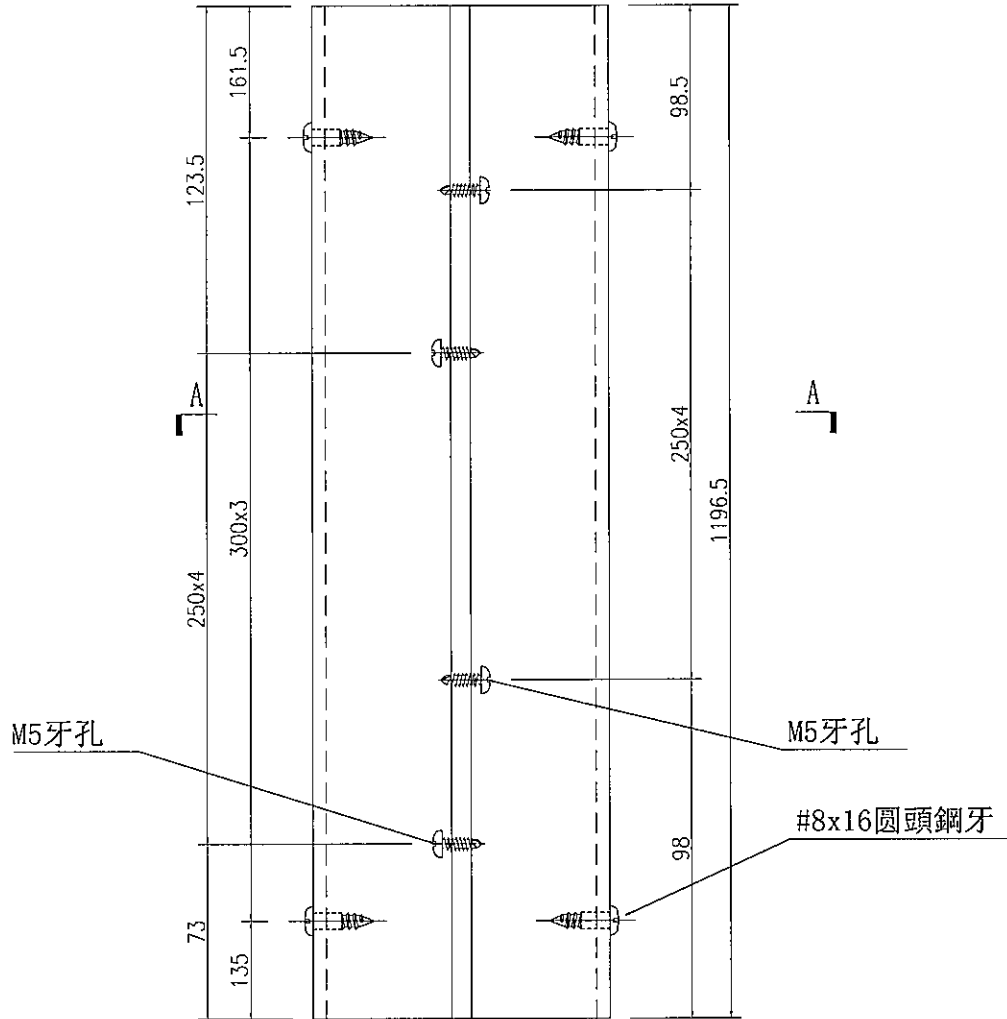


工程號 J-837 地盤 觀塘



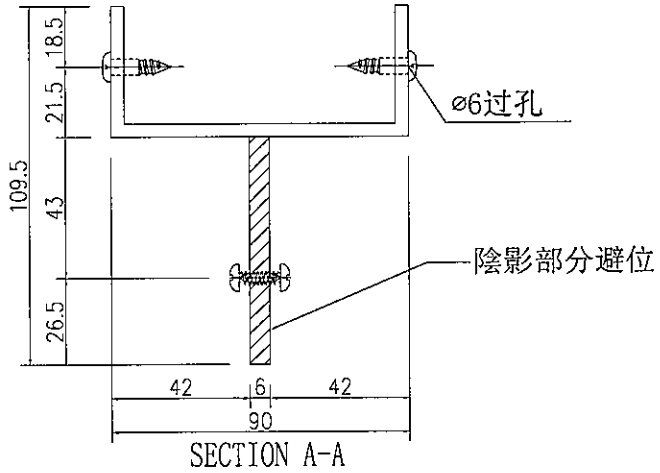
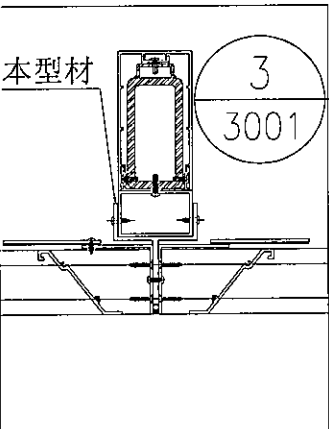
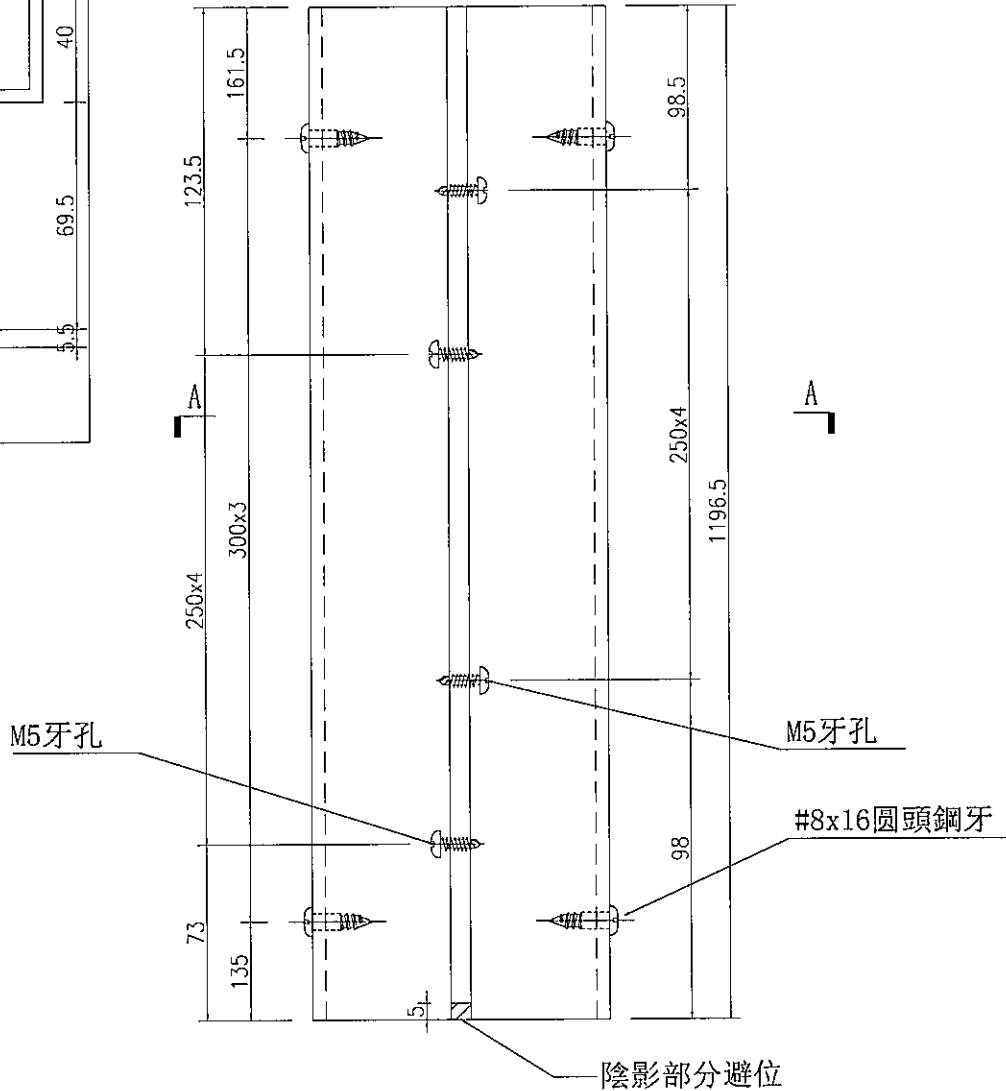
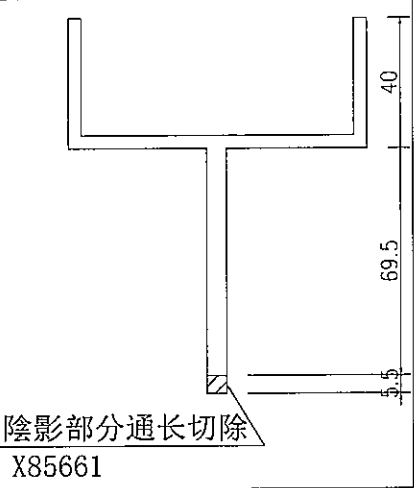
| | | | | | | | |
|----|-------------------|----|-----|-----------|----|----------------|--|
| 名稱 | 百葉片加工圖 | 制圖 | 吳禕瑜 | 2019-4-26 | 修改 | | |
| 材料 | X85618 | 復核 | | | 日期 | | |
| 顏色 | EC-DG-S332054 香檳色 | 批准 | | | 圖號 | J837-FC-HAL84G | |

工程號 J-837 地盤 觀塘



| | | | | | | | |
|----|-------------------|----|-----|-----------|----|--------------|--|
| 名稱 | 鋁槽加工圖 | 制圖 | 吳禕瑜 | 2019-4-26 | 修改 | | |
| 材料 | X85661 | 復核 | | | 日期 | | |
| 顏色 | EC-DG-S332054 香檳色 | 批准 | | | 圖號 | J837-FC-VAL1 | |

工程號 J-837 地盤 觀塘



| | | | | | | | |
|----|-------------------|----|-----|-----------|----|--------------|--|
| 名稱 | 鋁槽加工圖 | 制圖 | 吳禕瑜 | 2019-4-26 | 修改 | | |
| 材料 | X85661 | 復核 | | | 日期 | | |
| 顏色 | EC-DG-S332054 香檳色 | 批准 | | | 圖號 | J837-FC-VAL2 | |

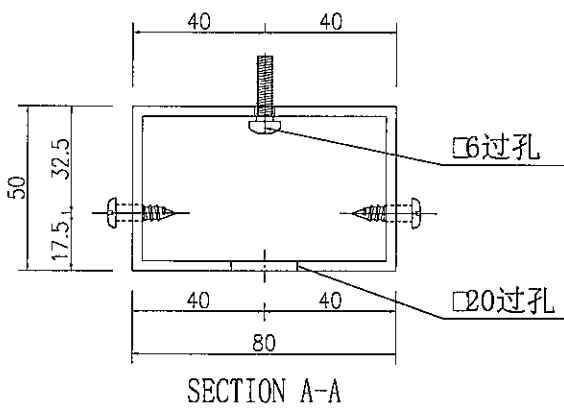
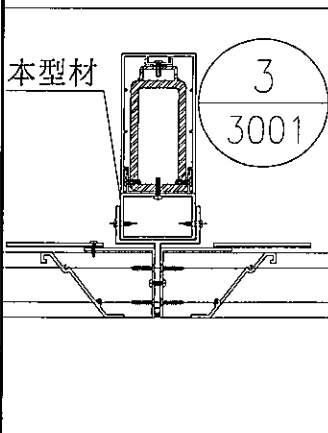
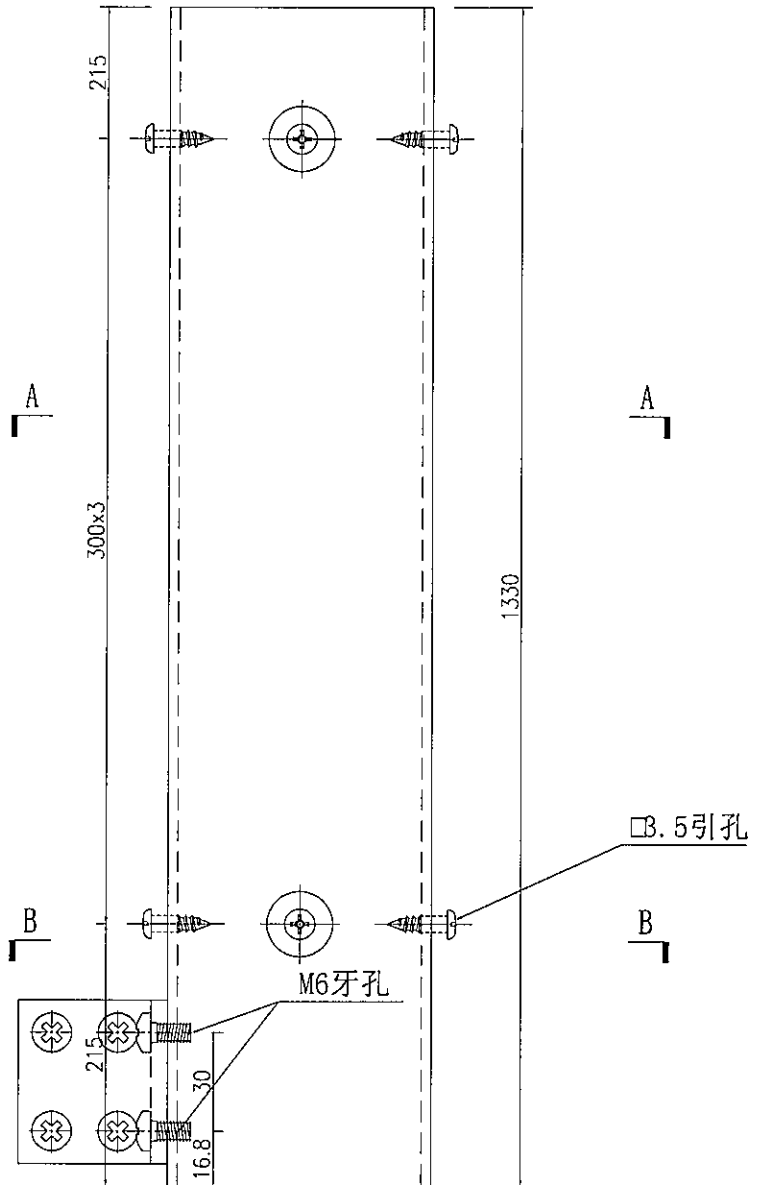
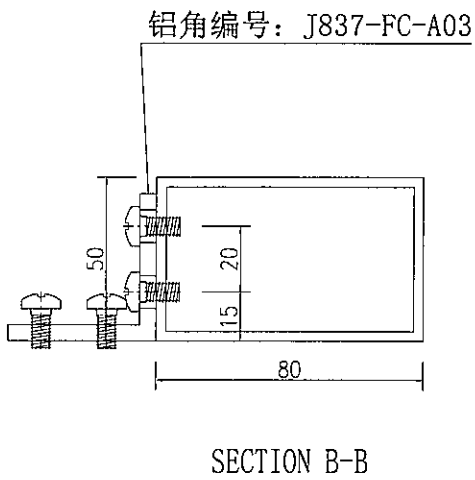


美特鋁質 有限公司
MIDI Aluminium Fabricator Ltd.

數量

2

| | | | |
|-----|-------|----|----|
| 工程號 | J-837 | 地盤 | 觀塘 |
|-----|-------|----|----|



| | | | | | | | |
|----|-------------------|----|-----|-----------|----|--------------|--|
| 名稱 | 鋁通加工圖 | 制圖 | 吳禕瑜 | 2019-4-26 | 修改 | | |
| 材料 | PE00E3004 | 復核 | | | 日期 | | |
| 顏色 | EC-DG-S332054 香檳色 | 批准 | | | 圖號 | J837-FC-VAL3 | |

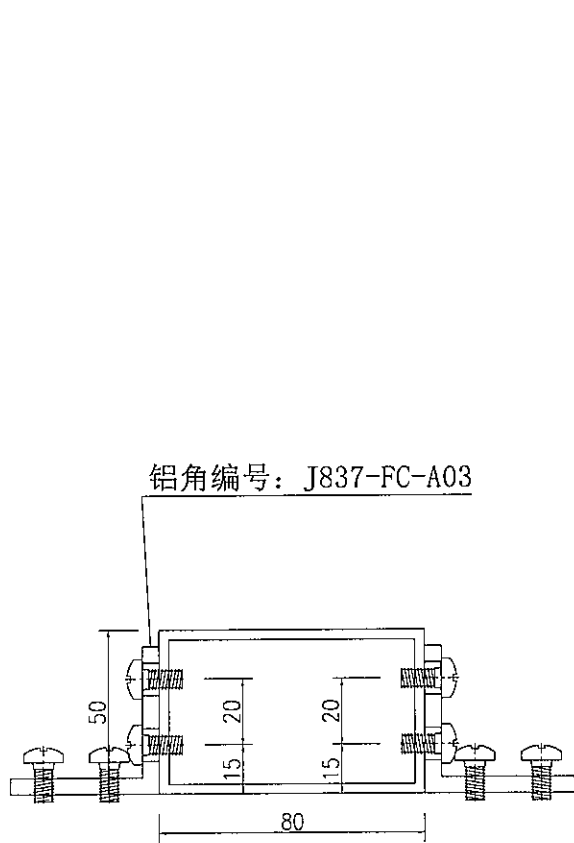


美特铝质 有限公司
MIDI Aluminium Fabricator Ltd.

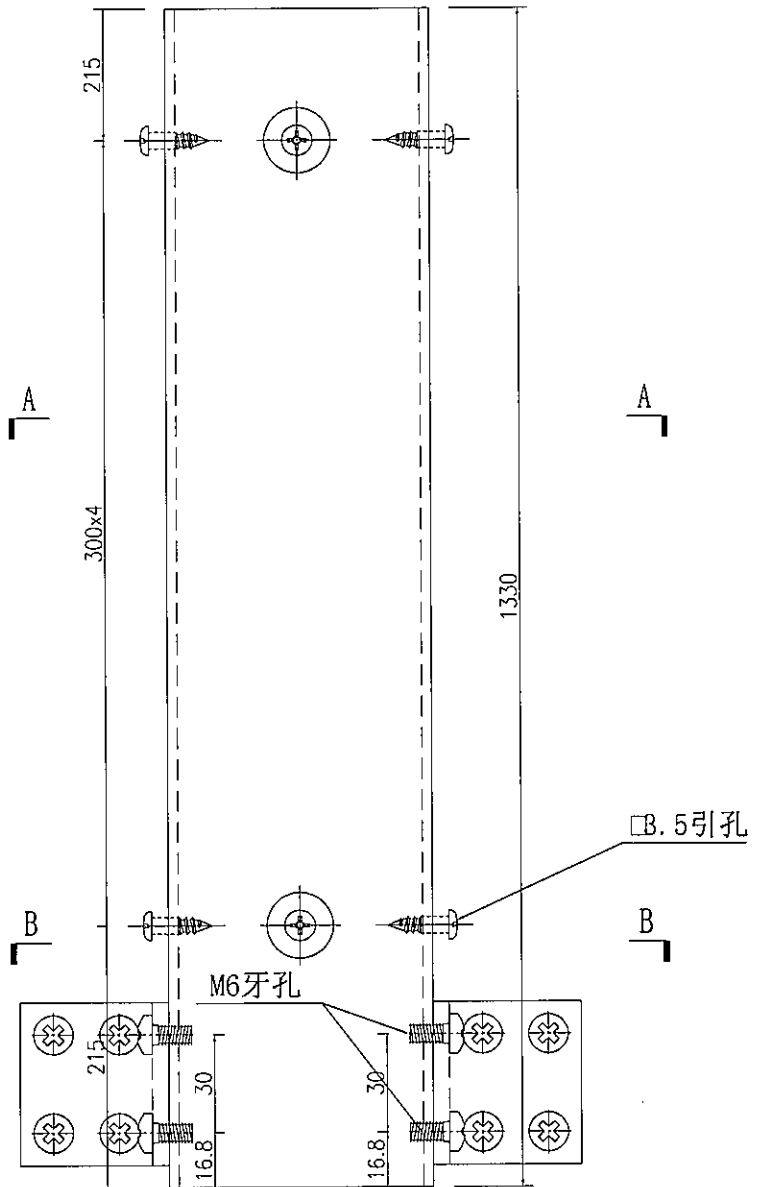
數量

45

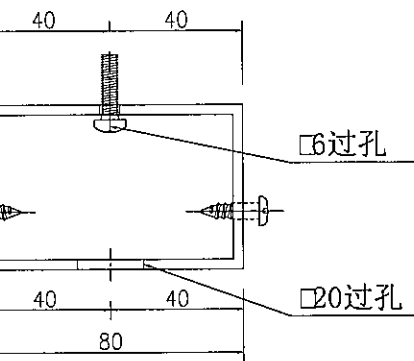
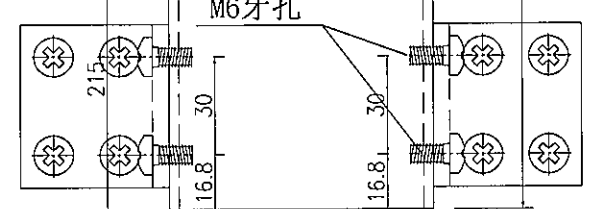
工程號 J-837 地盤 觀塘



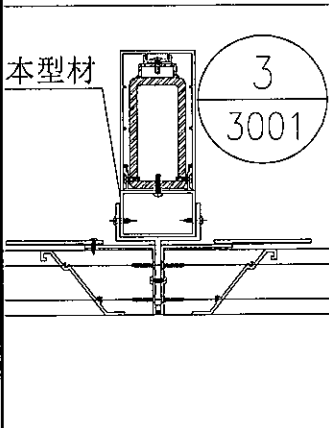
SECTION B-B



SECTION A-A



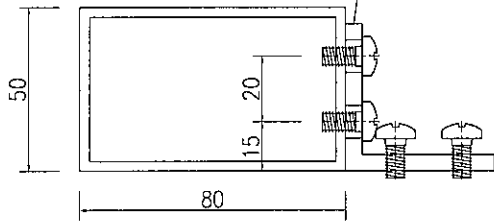
SECTION A-A



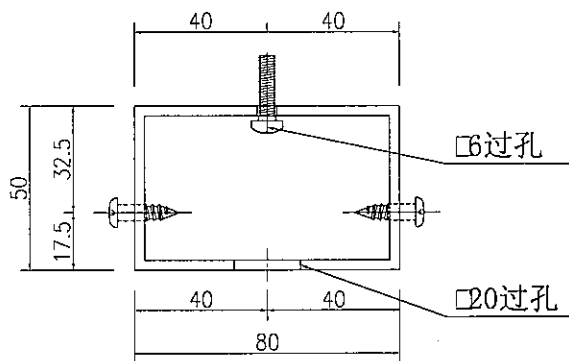
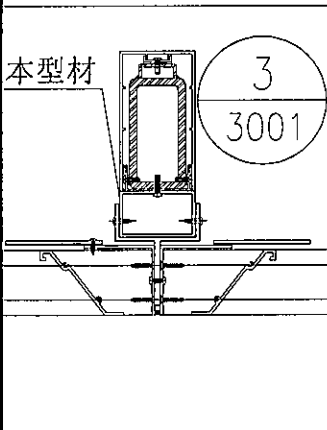
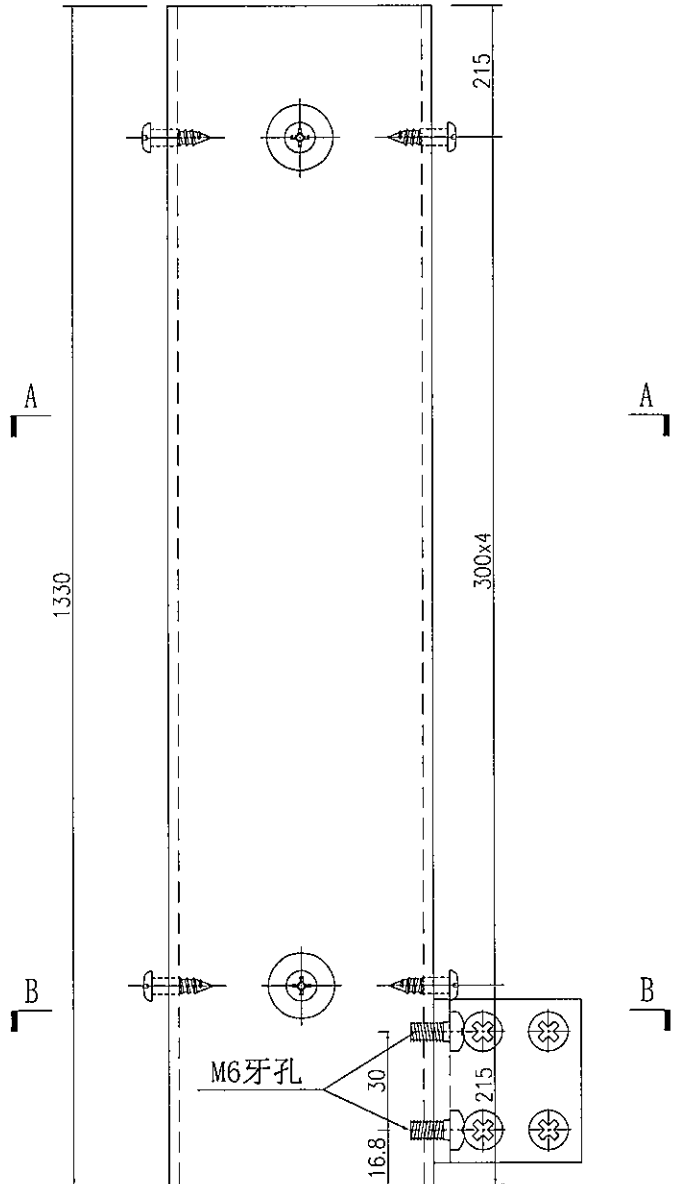
| | | | | | | | |
|----|-------------------|----|-----|-----------|----|--------------|--|
| 名稱 | 铝通加工圖 | 制圖 | 吳禕瑜 | 2019-4-26 | 修改 | | |
| 材料 | PE00E3004 | 復核 | | | 日期 | | |
| 顏色 | EC-DG-S332054 香檳色 | 批准 | | | 圖號 | J837-FC-VAL4 | |

工程號 J-837 地盤 觀塘

铝角编号: J837-FC-A03



SECTION B-B



SECTION A-A

| | | | | | | | |
|----|-------------------|----|-----|-----------|----|--------------|--|
| 名稱 | 铝通加工圖 | 制圖 | 吳禕瑜 | 2019-4-26 | 修改 | | |
| 材料 | PE00E3004 | 復核 | | | 日期 | | |
| 顏色 | EC-DG-S332054 香檳色 | 批准 | | | 圖號 | J837-FC-VAL5 | |



工程號 J-837 地盤 截塘

陰影部分避位

鋁角編號: J837-FC-A01

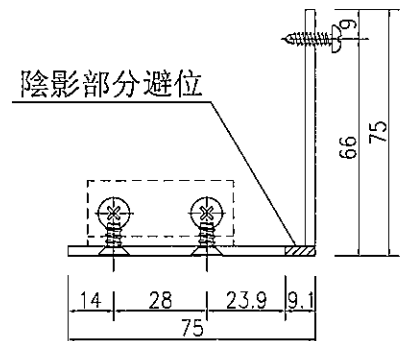
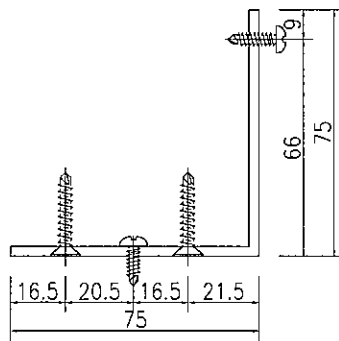
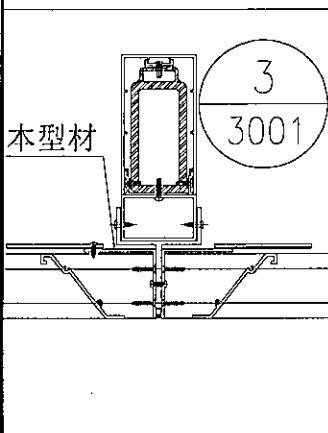
M5平頭孔

□6過孔

#9*1' 平頭鋼牙

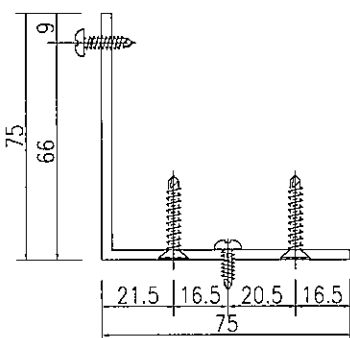
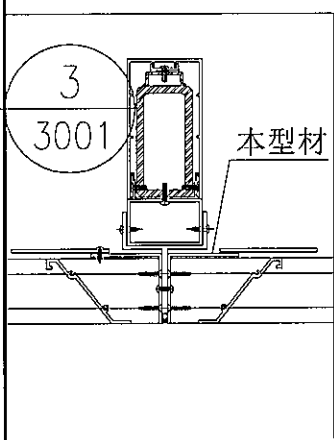
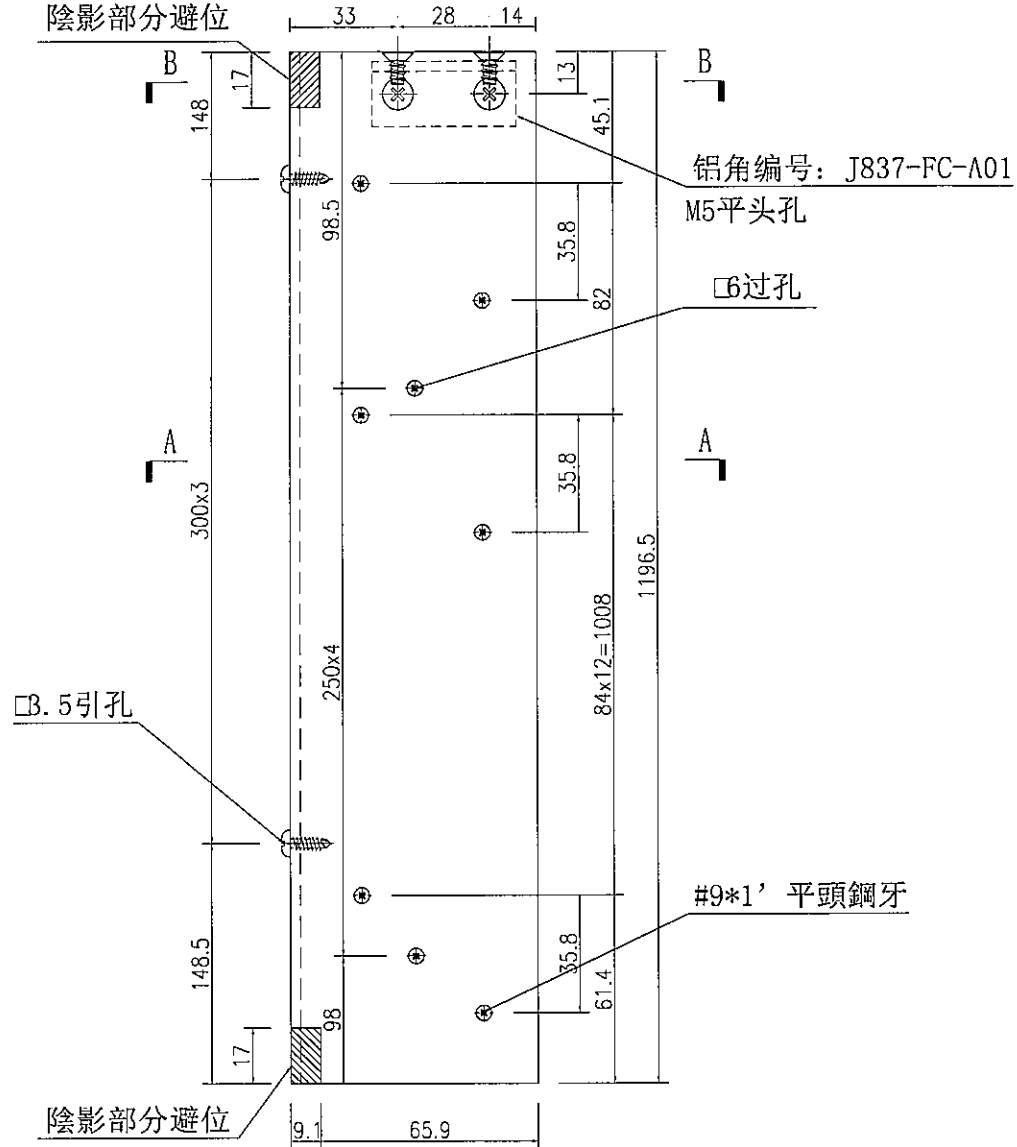
□B.5引孔

陰影部分避位

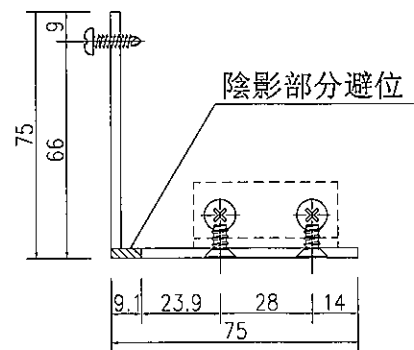


| | | | | | | | |
|----|-------------------|----|-----|-----------|----|--------------|--|
| 名稱 | 鋁角加工圖 | 制圖 | 吳禕瑜 | 2019-4-26 | 修改 | | |
| 材料 | CA0000322 | 復核 | | | 日期 | | |
| 顏色 | EC-DG-S332054 香檳色 | 批准 | | | 圖號 | J837-FC-VAL6 | |

| | | | |
|-----|-------|----|----|
| 工程號 | J-837 | 地盤 | 觀塘 |
|-----|-------|----|----|



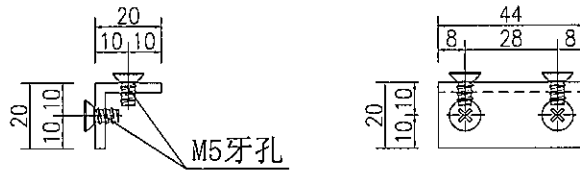
SECTION A-A



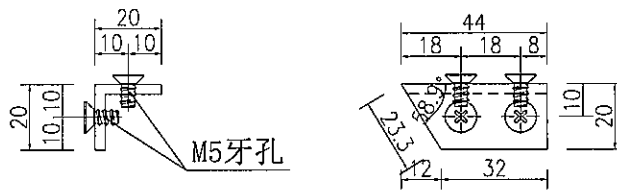
SECTION B-B

| | | | | | | | |
|----|-------------------|----|-----|-----------|----|--------------|--|
| 名稱 | 鋁角加工圖 | 制圖 | 吳禕瑜 | 2019-4-26 | 修改 | | |
| 材料 | CA0000322 | 復核 | | | 日期 | | |
| 顏色 | EC-DG-S332054 香檳色 | 批准 | | | 圖號 | J837-FC-VAL7 | |

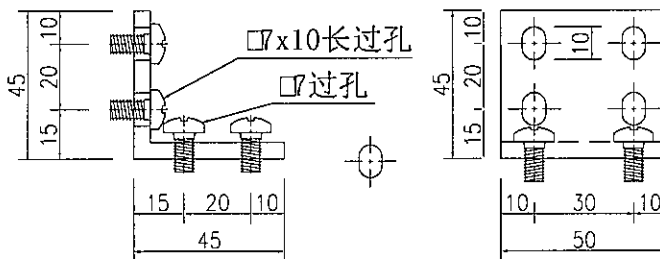
| 鋁角編號 | 數量 |
|-------------|-----|
| J837-FC-A01 | 340 |



| 鋁角編號 | 數量 |
|-------------|----|
| J837-FC-A02 | 1 |

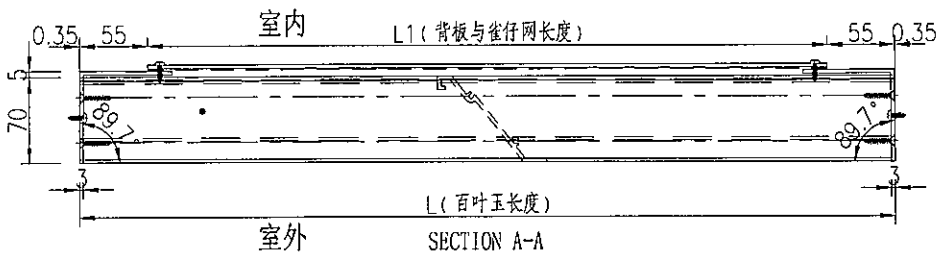
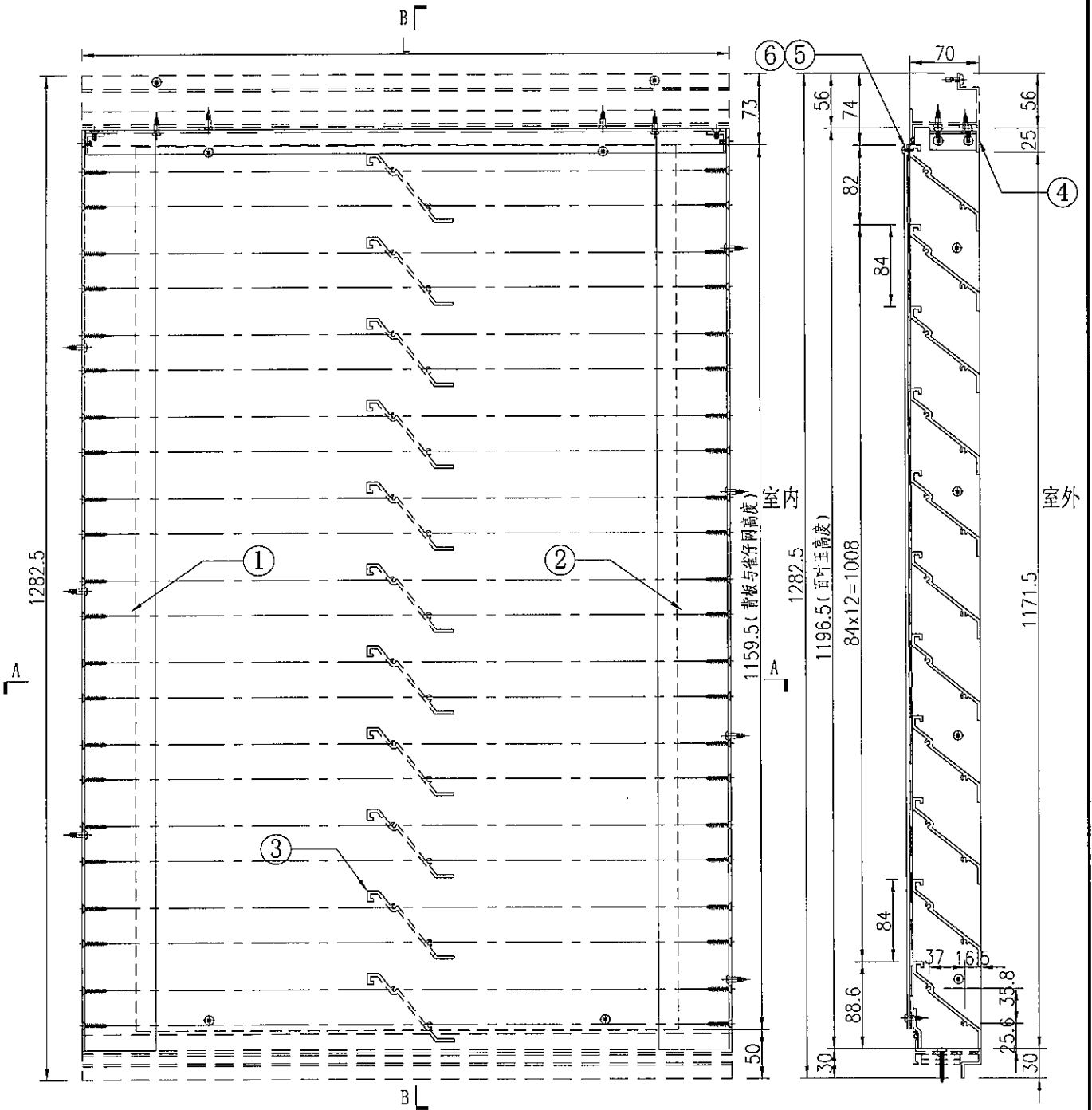


| 鋁角編號 | 數量 |
|-------------|----|
| J837-FC-A03 | 96 |



| |
|----------|
| 顏色: MILL |
|----------|

| | | | | | | | |
|----|-------------------|----|-----|-----------|----|-------------|--|
| 名稱 | 鋁角加工圖 | 制圖 | 吳禕瑜 | 2019-4-26 | 修改 | | |
| 材料 | PE0E10021 | 復核 | | | 日期 | | |
| 顏色 | EC-DG-S332054 香檳色 | 批准 | | | 圖號 | J837-FC-A01 | |



SECTION B-B

SECTION A-A

| | | | | | | | |
|----|--------|----|-----|-----------|----|--------------|--|
| 名稱 | 百葉玉組裝圖 | 制圖 | 吳禕瑜 | 2019.5.07 | 修改 | | |
| 材料 | - | 復核 | | | 日期 | | |
| 顏色 | - | 批准 | | | 圖號 | J837-FC-BYY1 | |



美特鋁質 有限公司
MIDI Aluminium Fabricator Ltd.

加工圖見: J837-FC-BYY1

工程號 J-837 地盤 觀塘

| 百葉玉編號 | 百葉玉長度L | 鋁板長度L1 | 百葉玉高度H | 鋁板高度H1 | 數量 | |
|--------------|---------------------|--------|--------|--------|----|-----------|
| J837-FC-BYY1 | 1420.5 | 1309.8 | 1196.5 | 1159.5 | 13 | |
| 序號 | 物料編號 | 名稱 | 數量 | 長度 | 備註 | 模號 |
| 1 | J837-FC-VAL7 | 鋁角加工圖 | 13 | 1196.5 | 廠裝 | CA0000322 |
| 2 | J837-FC-VAL6 | 鋁角加工圖 | 13 | 1196.5 | 廠裝 | CA0000322 |
| 3 | J837-FC-HAL1G | 百葉片加工圖 | 182 | 1414.5 | 廠裝 | X85618 |
| 4 | J837-FC-HAL1A | 鋁角加工圖 | 13 | 1412.5 | 廠裝 | PEOE10034 |
| 5 | 1309.8 x 1159.5 | 雀仔網 | 13 | | 廠裝 | |
| 6 | J837-FC-BB1 | 背板加工圖 | 13 | 1309.8 | 廠裝 | 3mm鋁板 |

| 百葉玉編號 | 百葉玉長度L | 鋁板長度L1 | 百葉玉高度H | 鋁板高度H1 | 數量 | |
|--------------|---------------------|--------|--------|--------|----|-----------|
| J837-FC-BYY3 | 1418.5 | 1307.8 | 1196.5 | 1159.5 | 1 | |
| 序號 | 物料編號 | 名稱 | 數量 | 長度 | 備註 | 模號 |
| 1 | J837-FC-VAL7 | 鋁角加工圖 | 1 | 1196.5 | 廠裝 | CA0000322 |
| 2 | J837-FC-VAL6 | 鋁角加工圖 | 1 | 1196.5 | 廠裝 | CA0000322 |
| 3 | J837-FC-HAL3G | 百葉片加工圖 | 14 | 1412.5 | 廠裝 | X85618 |
| 4 | J837-FC-HAL3A | 鋁角加工圖 | 1 | 1410.5 | 廠裝 | PEOE10034 |
| 5 | 1307.8 x 1159.5 | 雀仔網 | 1 | | 廠裝 | |
| 6 | J837-FC-BB3 | 背板加工圖 | 1 | 1307.8 | 廠裝 | 3mm鋁板 |

| 百葉玉編號 | 百葉玉長度L | 鋁板長度L1 | 百葉玉高度H | 鋁板高度H1 | 數量 | |
|--------------|---------------------|--------|--------|--------|----|-----------|
| J837-FC-BYY4 | 2029.5 | 1918.8 | 1196.5 | 1159.5 | 1 | |
| 序號 | 物料編號 | 名稱 | 數量 | 長度 | 備註 | 模號 |
| 1 | J837-FC-VAL7 | 鋁角加工圖 | 1 | 1196.5 | 廠裝 | CA0000322 |
| 2 | J837-FC-VAL6 | 鋁角加工圖 | 1 | 1196.5 | 廠裝 | CA0000322 |
| 3 | J837-FC-HAL4G | 百葉片加工圖 | 14 | 2023.5 | 廠裝 | X85618 |
| 4 | J837-FC-HAL4A | 鋁角加工圖 | 1 | 2021.5 | 廠裝 | PEOE10034 |
| 5 | 1918.8 x 1159.5 | 雀仔網 | 1 | | 廠裝 | |
| 6 | J837-FC-BB4 | 背板加工圖 | 1 | 1918.8 | 廠裝 | 3mm鋁板 |

| 百葉玉編號 | 百葉玉長度L | 鋁板長度L1 | 百葉玉高度H | 鋁板高度H1 | 數量 | |
|--------------|---------------------|--------|--------|--------|----|-----------|
| J837-FC-BYY5 | 1510.5 | 1399.8 | 1196.5 | 1159.5 | 2 | |
| 序號 | 物料編號 | 名稱 | 數量 | 長度 | 備註 | 模號 |
| 1 | J837-FC-VAL7 | 鋁角加工圖 | 2 | 1196.5 | 廠裝 | CA0000322 |
| 2 | J837-FC-VAL6 | 鋁角加工圖 | 2 | 1196.5 | 廠裝 | CA0000322 |
| 3 | J837-FC-HAL5G | 百葉片加工圖 | 28 | 1504.5 | 廠裝 | X85618 |
| 4 | J837-FC-HAL5A | 鋁角加工圖 | 2 | 1502.5 | 廠裝 | PEOE10034 |
| 5 | 1399.8 x 1159.5 | 雀仔網 | 2 | | 廠裝 | |
| 6 | J837-FC-BB5 | 背板加工圖 | 2 | 1399.8 | 廠裝 | 3mm鋁板 |

| 百葉玉編號 | 百葉玉長度L | 鋁板長度L1 | 百葉玉高度H | 鋁板高度H1 | 數量 | |
|--------------|---------------------|--------|--------|--------|----|-----------|
| J837-FC-BYY6 | 1522.5 | 1411.8 | 1196.5 | 1159.5 | 2 | |
| 序號 | 物料編號 | 名稱 | 數量 | 長度 | 備註 | 模號 |
| 1 | J837-FC-VAL7 | 鋁角加工圖 | 2 | 1196.5 | 廠裝 | CA0000322 |
| 2 | J837-FC-VAL6 | 鋁角加工圖 | 2 | 1196.5 | 廠裝 | CA0000322 |
| 3 | J837-FC-HAL6G | 百葉片加工圖 | 28 | 1516.5 | 廠裝 | X85618 |
| 4 | J837-FC-HAL6A | 鋁角加工圖 | 2 | 1514.5 | 廠裝 | PEOE10034 |
| 5 | 1411.8 x 1159.5 | 雀仔網 | 2 | | 廠裝 | |
| 6 | J837-FC-BB6 | 背板加工圖 | 2 | 1411.8 | 廠裝 | 3mm鋁板 |

| 百葉玉編號 | 百葉玉長度L | 鋁板長度L1 | 百葉玉高度H | 鋁板高度H1 | 數量 | |
|--------------|---------------------|--------|--------|--------|----|-----------|
| J837-FC-BYY7 | 1338.5 | 1227.8 | 1196.5 | 1159.5 | 2 | |
| 序號 | 物料編號 | 名稱 | 數量 | 長度 | 備註 | 模號 |
| 1 | J837-FC-VAL7 | 鋁角加工圖 | 2 | 1196.5 | 廠裝 | CA0000322 |
| 2 | J837-FC-VAL6 | 鋁角加工圖 | 2 | 1196.5 | 廠裝 | CA0000322 |
| 3 | J837-FC-HAL7G | 百葉片加工圖 | 28 | 1332.5 | 廠裝 | X85618 |
| 4 | J837-FC-HAL7A | 鋁角加工圖 | 2 | 1330.5 | 廠裝 | PEOE10034 |
| 5 | 1227.8 x 1159.5 | 雀仔網 | 2 | | 廠裝 | |
| 6 | J837-FC-BB7 | 背板加工圖 | 2 | 1227.8 | 廠裝 | 3mm鋁板 |

| 百葉玉編號 | 百葉玉長度L | 鋁板長度L1 | 百葉玉高度H | 鋁板高度H1 | 數量 | |
|--------------|---------------------|--------|--------|--------|----|-----------|
| J837-FC-BYY8 | 1317.5 | 1206.8 | 1196.5 | 1159.5 | 1 | |
| 序號 | 物料編號 | 名稱 | 數量 | 長度 | 備註 | 模號 |
| 1 | J837-FC-VAL7 | 鋁角加工圖 | 1 | 1196.5 | 廠裝 | CA0000322 |
| 2 | J837-FC-VAL6 | 鋁角加工圖 | 1 | 1196.5 | 廠裝 | CA0000322 |
| 3 | J837-FC-HAL8G | 百葉片加工圖 | 14 | 1311.5 | 廠裝 | X85618 |
| 4 | J837-FC-HAL8A | 鋁角加工圖 | 1 | 1309.5 | 廠裝 | PEOE10034 |
| 5 | 1206.8 x 1159.5 | 雀仔網 | 1 | | 廠裝 | |
| 6 | J837-FC-BB8 | 背板加工圖 | 1 | 1206.8 | 廠裝 | 3mm鋁板 |

| | | | | | | | | |
|----|-----|----|-----|-----------|----|----------------|--|--|
| 名稱 | 數據表 | 制圖 | 吳禕瑜 | 2019.5.07 | 修改 | | | |
| 材料 | - | 復核 | | | 日期 | | | |
| 顏色 | - | 批准 | | | 圖號 | J837-FC-BYY1-1 | | |



美特鋁質 有限公司
MIDI Aluminium Fabricator Ltd.

加工圖見：J837-FC-BYY1

工程號 J-837 地盤 觀塘

| 百葉玉編號 | 百葉玉長度L | 鋁板長度L1 | 百葉玉高度H | 鋁板高度H1 | 數量 | |
|--------------|---------------------|--------|--------|--------|----|-----------|
| J837-FC-BYY9 | 1513.5 | 1402.8 | 1196.5 | 1159.5 | 1 | |
| 序號 | 物料編號 | 名稱 | 數量 | 長度 | 備註 | 模號 |
| 1 | J837-FC-VAL7 | 鋁角加工圖 | 1 | 1196.5 | 廠裝 | CA0000322 |
| 2 | J837-FC-VAL6 | 鋁角加工圖 | 1 | 1196.5 | 廠裝 | CA0000322 |
| 3 | J837-FC-HAL9G | 百葉片加工圖 | 14 | 1507.5 | 廠裝 | X85618 |
| 4 | J837-FC-HAL9A | 鋁角加工圖 | 1 | 1505.5 | 廠裝 | PEOE10034 |
| 5 | 1402.8 x 1159.5 | 雀仔網 | 1 | | 廠裝 | |
| 6 | J837-FC-BB9 | 背板加工圖 | 1 | 1402.8 | 廠裝 | 3mm鋁板 |

| 百葉玉編號 | 百葉玉長度L | 鋁板長度L1 | 百葉玉高度H | 鋁板高度H1 | 數量 | |
|---------------|---------------------|--------|--------|--------|----|-----------|
| J837-FC-BYY10 | 1508.5 | 1397.8 | 1196.5 | 1159.5 | 1 | |
| 序號 | 物料編號 | 名稱 | 數量 | 長度 | 備註 | 模號 |
| 1 | J837-FC-VAL7 | 鋁角加工圖 | 1 | 1196.5 | 廠裝 | CA0000322 |
| 2 | J837-FC-VAL6 | 鋁角加工圖 | 1 | 1196.5 | 廠裝 | CA0000322 |
| 3 | J837-FC-HAL10G | 百葉片加工圖 | 14 | 1502.5 | 廠裝 | X85618 |
| 4 | J837-FC-HAL10A | 鋁角加工圖 | 1 | 1500.5 | 廠裝 | PEOE10034 |
| 5 | 1397.8 x 1159.5 | 雀仔網 | 1 | | 廠裝 | |
| 6 | J837-FC-BB10 | 背板加工圖 | 1 | 1397.8 | 廠裝 | 3mm鋁板 |

| 百葉玉編號 | 百葉玉長度L | 鋁板長度L1 | 百葉玉高度H | 鋁板高度H1 | 數量 | |
|---------------|---------------------|--------|--------|--------|----|-----------|
| J837-FC-BYY11 | 1494.5 | 1383.8 | 1196.5 | 1159.5 | 2 | |
| 序號 | 物料編號 | 名稱 | 數量 | 長度 | 備註 | 模號 |
| 1 | J837-FC-VAL7 | 鋁角加工圖 | 2 | 1196.5 | 廠裝 | CA0000322 |
| 2 | J837-FC-VAL6 | 鋁角加工圖 | 2 | 1196.5 | 廠裝 | CA0000322 |
| 3 | J837-FC-HAL11G | 百葉片加工圖 | 28 | 1488.5 | 廠裝 | X85618 |
| 4 | J837-FC-HAL11A | 鋁角加工圖 | 2 | 1486.5 | 廠裝 | PEOE10034 |
| 5 | 1383.8 x 1159.5 | 雀仔網 | 2 | | 廠裝 | |
| 6 | J837-FC-BB11 | 背板加工圖 | 2 | 1383.8 | 廠裝 | 3mm鋁板 |

| 百葉玉編號 | 百葉玉長度L | 鋁板長度L1 | 百葉玉高度H | 鋁板高度H1 | 數量 | |
|---------------|---------------------|--------|--------|--------|----|-----------|
| J837-FC-BYY12 | 2122.5 | 2011.8 | 1196.5 | 1159.5 | 1 | |
| 序號 | 物料編號 | 名稱 | 數量 | 長度 | 備註 | 模號 |
| 1 | J837-FC-VAL7 | 鋁角加工圖 | 1 | 1196.5 | 廠裝 | CA0000322 |
| 2 | J837-FC-VAL6 | 鋁角加工圖 | 1 | 1196.5 | 廠裝 | CA0000322 |
| 3 | J837-FC-HAL12G | 百葉片加工圖 | 14 | 2116.5 | 廠裝 | X85618 |
| 4 | J837-FC-HAL12A | 鋁角加工圖 | 1 | 2114.5 | 廠裝 | PEOE10034 |
| 5 | 2011.8 x 1159.5 | 雀仔網 | 1 | | 廠裝 | |
| 6 | J837-FC-BB12 | 背板加工圖 | 1 | 2011.8 | 廠裝 | 3mm鋁板 |

| 百葉玉編號 | 百葉玉長度L | 鋁板長度L1 | 百葉玉高度H | 鋁板高度H1 | 數量 | |
|---------------|---------------------|--------|--------|--------|----|-----------|
| J837-FC-BYY13 | 1589.5 | 1478.8 | 1196.5 | 1159.5 | 1 | |
| 序號 | 物料編號 | 名稱 | 數量 | 長度 | 備註 | 模號 |
| 1 | J837-FC-VAL7 | 鋁角加工圖 | 1 | 1196.5 | 廠裝 | CA0000322 |
| 2 | J837-FC-VAL6 | 鋁角加工圖 | 1 | 1196.5 | 廠裝 | CA0000322 |
| 3 | J837-FC-HAL13G | 百葉片加工圖 | 14 | 1583.5 | 廠裝 | X85618 |
| 4 | J837-FC-HAL13A | 鋁角加工圖 | 1 | 1581.5 | 廠裝 | PEOE10034 |
| 5 | 1478.8 x 1159.5 | 雀仔網 | 1 | | 廠裝 | |
| 6 | J837-FC-BB13 | 背板加工圖 | 1 | 1478.8 | 廠裝 | 3mm鋁板 |

| 百葉玉編號 | 百葉玉長度L | 鋁板長度L1 | 百葉玉高度H | 鋁板高度H1 | 數量 | |
|---------------|---------------------|--------|--------|--------|----|-----------|
| J837-FC-BYY14 | 1547.5 | 1436.8 | 1196.5 | 1159.5 | 1 | |
| 序號 | 物料編號 | 名稱 | 數量 | 長度 | 備註 | 模號 |
| 1 | J837-FC-VAL7 | 鋁角加工圖 | 1 | 1196.5 | 廠裝 | CA0000322 |
| 2 | J837-FC-VAL6 | 鋁角加工圖 | 1 | 1196.5 | 廠裝 | CA0000322 |
| 3 | J837-FC-HAL14G | 百葉片加工圖 | 14 | 1541.5 | 廠裝 | X85618 |
| 4 | J837-FC-HAL14A | 鋁角加工圖 | 1 | 1539.5 | 廠裝 | PEOE10034 |
| 5 | 1436.8 x 1159.5 | 雀仔網 | 1 | | 廠裝 | |
| 6 | J837-FC-BB14 | 背板加工圖 | 1 | 1436.8 | 廠裝 | 3mm鋁板 |

| 百葉玉編號 | 百葉玉長度L | 鋁板長度L1 | 百葉玉高度H | 鋁板高度H1 | 數量 | |
|---------------|---------------------|--------|--------|--------|----|-----------|
| J837-FC-BYY15 | 1523.5 | 1412.8 | 1196.5 | 1159.5 | 2 | |
| 序號 | 物料編號 | 名稱 | 數量 | 長度 | 備註 | 模號 |
| 1 | J837-FC-VAL7 | 鋁角加工圖 | 2 | 1196.5 | 廠裝 | CA0000322 |
| 2 | J837-FC-VAL6 | 鋁角加工圖 | 2 | 1196.5 | 廠裝 | CA0000322 |
| 3 | J837-FC-HAL15G | 百葉片加工圖 | 28 | 1517.5 | 廠裝 | X85618 |
| 4 | J837-FC-HAL15A | 鋁角加工圖 | 2 | 1515.5 | 廠裝 | PEOE10034 |
| 5 | 1412.8 x 1159.5 | 雀仔網 | 2 | | 廠裝 | |
| 6 | J837-FC-BB15 | 背板加工圖 | 2 | 1412.8 | 廠裝 | 3mm鋁板 |

| | | | | | | | |
|----|-----|----|-----|-----------|----|----------------|--|
| 名稱 | 數據表 | 制圖 | 吳偉瑜 | 2019.5.07 | 修改 | | |
| 材料 | - | 復核 | | | 日期 | | |
| 顏色 | - | 批准 | | | 圖號 | J837-FC-BYY1-2 | |



美特鋁質有限公司
MIDI Aluminium Fabricator Ltd.

加工圖見: J837-FC-BYY1

工程號 J-837 地盤 觀塘

| 百葉玉編號 | 百葉玉長度L | 鋁板長度L1 | 百葉玉高度H | 鋁板高度H1 | 數量 | |
|---------------|---------------------|--------|--------|--------|----|-----------|
| J837-FC-BYY16 | 1340.5 | 1229.8 | 1196.5 | 1159.5 | 1 | |
| 序號 | 物料編號 | 名稱 | 數量 | 長度 | 備註 | 模號 |
| 1 | J837-FC-VAL7 | 鋁角加工圖 | 1 | 1196.5 | 廠裝 | CA0000322 |
| 2 | J837-FC-VAL6 | 鋁角加工圖 | 1 | 1196.5 | 廠裝 | CA0000322 |
| 3 | J837-FC-HAL16G | 百葉片加工圖 | 14 | 1334.5 | 廠裝 | X85618 |
| 4 | J837-FC-HAL16A | 鋁角加工圖 | 1 | 1332.5 | 廠裝 | PE0E10034 |
| 5 | 1229.8 x 1159.5 | 雀仔網 | 1 | | 廠裝 | |
| 6 | J837-FC-BB16 | 背板加工圖 | 1 | 1229.8 | 廠裝 | 3mm鋁板 |

| 百葉玉編號 | 百葉玉長度L | 鋁板長度L1 | 百葉玉高度H | 鋁板高度H1 | 數量 | |
|---------------|---------------------|--------|--------|--------|----|-----------|
| J837-FC-BYY17 | 1360.5 | 1249.8 | 1196.5 | 1159.5 | 7 | |
| 序號 | 物料編號 | 名稱 | 數量 | 長度 | 備註 | 模號 |
| 1 | J837-FC-VAL7 | 鋁角加工圖 | 7 | 1196.5 | 廠裝 | CA0000322 |
| 2 | J837-FC-VAL6 | 鋁角加工圖 | 7 | 1196.5 | 廠裝 | CA0000322 |
| 3 | J837-FC-HAL17G | 百葉片加工圖 | 98 | 1354.5 | 廠裝 | X85618 |
| 4 | J837-FC-HAL17A | 鋁角加工圖 | 7 | 1352.5 | 廠裝 | PE0E10034 |
| 5 | 1249.8 x 1159.5 | 雀仔網 | 7 | | 廠裝 | |
| 6 | J837-FC-BB17 | 背板加工圖 | 7 | 1249.8 | 廠裝 | 3mm鋁板 |

| 百葉玉編號 | 百葉玉長度L | 鋁板長度L1 | 百葉玉高度H | 鋁板高度H1 | 數量 | |
|---------------|---------------------|--------|--------|--------|----|-----------|
| J837-FC-BYY18 | 1339.5 | 1228.8 | 1196.5 | 1159.5 | 1 | |
| 序號 | 物料編號 | 名稱 | 數量 | 長度 | 備註 | 模號 |
| 1 | J837-FC-VAL7 | 鋁角加工圖 | 1 | 1196.5 | 廠裝 | CA0000322 |
| 2 | J837-FC-VAL6 | 鋁角加工圖 | 1 | 1196.5 | 廠裝 | CA0000322 |
| 3 | J837-FC-HAL18G | 百葉片加工圖 | 14 | 1333.5 | 廠裝 | X85618 |
| 4 | J837-FC-HAL18A | 鋁角加工圖 | 1 | 1331.5 | 廠裝 | PE0E10034 |
| 5 | 1228.8 x 1159.5 | 雀仔網 | 1 | | 廠裝 | |
| 6 | J837-FC-BB18 | 背板加工圖 | 1 | 1228.8 | 廠裝 | 3mm鋁板 |

| 百葉玉編號 | 百葉玉長度L | 鋁板長度L1 | 百葉玉高度H | 鋁板高度H1 | 數量 | |
|---------------|---------------------|--------|--------|--------|----|-----------|
| J837-FC-BYY19 | 1521.5 | 1410.8 | 1196.5 | 1159.5 | 1 | |
| 序號 | 物料編號 | 名稱 | 數量 | 長度 | 備註 | 模號 |
| 1 | J837-FC-VAL7 | 鋁角加工圖 | 1 | 1196.5 | 廠裝 | CA0000322 |
| 2 | J837-FC-VAL6 | 鋁角加工圖 | 1 | 1196.5 | 廠裝 | CA0000322 |
| 3 | J837-FC-HAL19G | 百葉片加工圖 | 14 | 1515.5 | 廠裝 | X85618 |
| 4 | J837-FC-HAL19A | 鋁角加工圖 | 1 | 1513.5 | 廠裝 | PE0E10034 |
| 5 | 1410.8 x 1159.5 | 雀仔網 | 1 | | 廠裝 | |
| 6 | J837-FC-BB19 | 背板加工圖 | 1 | 1410.8 | 廠裝 | 3mm鋁板 |

| 百葉玉編號 | 百葉玉長度L | 鋁板長度L1 | 百葉玉高度H | 鋁板高度H1 | 數量 | |
|---------------|---------------------|--------|--------|--------|----|-----------|
| J837-FC-BYY20 | 1495.5 | 1384.8 | 1196.5 | 1159.5 | 1 | |
| 序號 | 物料編號 | 名稱 | 數量 | 長度 | 備註 | 模號 |
| 1 | J837-FC-VAL7 | 鋁角加工圖 | 1 | 1196.5 | 廠裝 | CA0000322 |
| 2 | J837-FC-VAL6 | 鋁角加工圖 | 1 | 1196.5 | 廠裝 | CA0000322 |
| 3 | J837-FC-HAL20G | 百葉片加工圖 | 14 | 1489.5 | 廠裝 | X85618 |
| 4 | J837-FC-HAL20A | 鋁角加工圖 | 1 | 1487.5 | 廠裝 | PE0E10034 |
| 5 | 1384.8 x 1159.5 | 雀仔網 | 1 | | 廠裝 | |
| 6 | J837-FC-BB20 | 背板加工圖 | 1 | 1384.8 | 廠裝 | 3mm鋁板 |

| 百葉玉編號 | 百葉玉長度L | 鋁板長度L1 | 百葉玉高度H | 鋁板高度H1 | 數量 | |
|---------------|---------------------|--------|--------|--------|----|-----------|
| J837-FC-BYY21 | 1517.5 | 1406.8 | 1196.5 | 1159.5 | 1 | |
| 序號 | 物料編號 | 名稱 | 數量 | 長度 | 備註 | 模號 |
| 1 | J837-FC-VAL7 | 鋁角加工圖 | 1 | 1196.5 | 廠裝 | CA0000322 |
| 2 | J837-FC-VAL6 | 鋁角加工圖 | 1 | 1196.5 | 廠裝 | CA0000322 |
| 3 | J837-FC-HAL21G | 百葉片加工圖 | 14 | 1511.5 | 廠裝 | X85618 |
| 4 | J837-FC-HAL21A | 鋁角加工圖 | 1 | 1509.5 | 廠裝 | PE0E10034 |
| 5 | 1406.8 x 1159.5 | 雀仔網 | 1 | | 廠裝 | |
| 6 | J837-FC-BB21 | 背板加工圖 | 1 | 1406.8 | 廠裝 | 3mm鋁板 |

| 百葉玉編號 | 百葉玉長度L | 鋁板長度L1 | 百葉玉高度H | 鋁板高度H1 | 數量 | |
|---------------|---------------------|--------|--------|--------|----|-----------|
| J837-FC-BYY22 | 1512.5 | 1401.8 | 1196.5 | 1159.5 | 1 | |
| 序號 | 物料編號 | 名稱 | 數量 | 長度 | 備註 | 模號 |
| 1 | J837-FC-VAL7 | 鋁角加工圖 | 1 | 1196.5 | 廠裝 | CA0000322 |
| 2 | J837-FC-VAL6 | 鋁角加工圖 | 1 | 1196.5 | 廠裝 | CA0000322 |
| 3 | J837-FC-HAL22G | 百葉片加工圖 | 14 | 1506.5 | 廠裝 | X85618 |
| 4 | J837-FC-HAL22A | 鋁角加工圖 | 1 | 1504.5 | 廠裝 | PE0E10034 |
| 5 | 1401.8 x 1159.5 | 雀仔網 | 1 | | 廠裝 | |
| 6 | J837-FC-BB22 | 背板加工圖 | 1 | 1401.8 | 廠裝 | 3mm鋁板 |

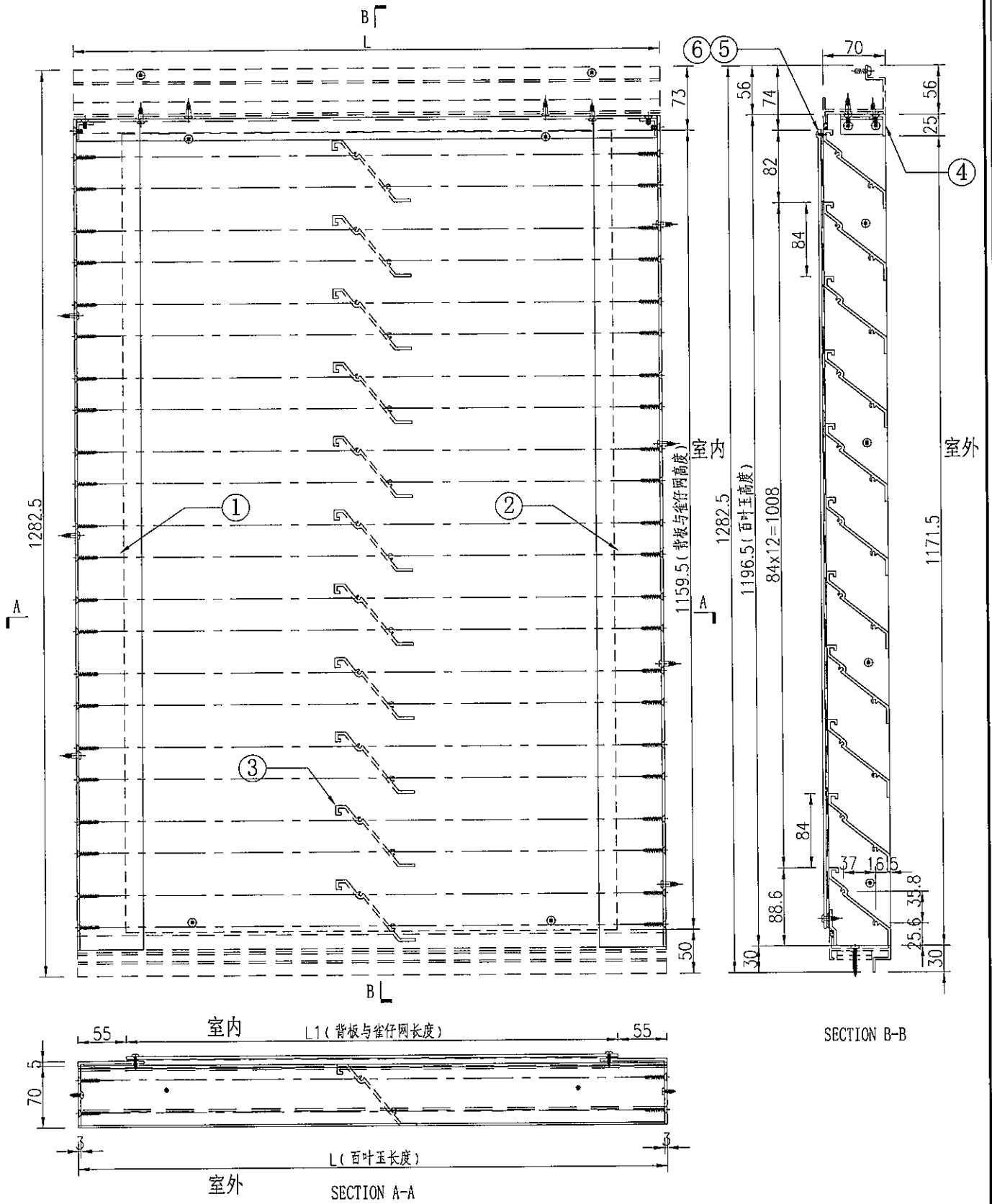
| | | | | | | | |
|----|-----|----|-----|-----------|----|----------------|--|
| 名稱 | 數據表 | 制圖 | 吳禕瑜 | 2019.5.07 | 修改 | | |
| 材料 | - | 復核 | | | 日期 | | |
| 顏色 | - | 批准 | | | 圖號 | J837-FC-BYY1-3 | |



美特鋁質 有限公司
MIDI Aluminium Fabricator Ltd.

數據表見：J837-FC-BYY24-1~3

工程號 J-837 地盤 觀塘



| | | | | | | | |
|----|--------|----|-----|-----------|----|---------------|--|
| 名稱 | 百葉玉組裝圖 | 制圖 | 吳禕瑜 | 2019.5.07 | 修改 | | |
| 材料 | - | 復核 | | | 日期 | | |
| 顏色 | - | 批准 | | | 圖號 | J837-FC-BYY24 | |



美特鋁質 有限公司
MIDI Aluminium Fabricator Ltd.

加工圖見: J837-FC-BYY24

工程號 J-837 地盤 觀塘

| 百葉玉編號 | 百葉玉長度L | 鋁板長度L1 | 百葉玉高度H | 鋁板高度H1 | 數量 | |
|---------------|----------------|--------|--------|--------|----|-----------|
| J837-FC-BYY24 | 1730 | 1620 | 1196.5 | 1159.5 | 1 | |
| 序號 | 物料編號 | 名稱 | 數量 | 長度 | 備註 | 模號 |
| 1 | J837-FC-VAL7 | 鋁角加工圖 | 1 | 1196.5 | 廠裝 | CA0000322 |
| 2 | J837-FC-VAL6 | 鋁角加工圖 | 1 | 1196.5 | 廠裝 | CA0000322 |
| 3 | J837-FC-HAL24G | 百葉片加工圖 | 14 | 1724 | 廠裝 | X85618 |
| 4 | J837-FC-HAL24A | 鋁角加工圖 | 1 | 1722 | 廠裝 | PE0E10034 |
| 5 | 1620 x 1159.5 | 雀仔網 | 1 | | 廠裝 | |
| 6 | J837-FC-BB24 | 背板加工圖 | 1 | 1620 | 廠裝 | 3mm鋁板 |

| 百葉玉編號 | 百葉玉長度L | 鋁板長度L1 | 百葉玉高度H | 鋁板高度H1 | 數量 | |
|---------------|----------------|--------|--------|--------|----|-----------|
| J837-FC-BYY25 | 1167 | 1057 | 1196.5 | 1159.5 | 2 | |
| 序號 | 物料編號 | 名稱 | 數量 | 長度 | 備註 | 模號 |
| 1 | J837-FC-VAL7 | 鋁角加工圖 | 2 | 1196.5 | 廠裝 | CA0000322 |
| 2 | J837-FC-VAL6 | 鋁角加工圖 | 2 | 1196.5 | 廠裝 | CA0000322 |
| 3 | J837-FC-HAL25G | 百葉片加工圖 | 28 | 1161 | 廠裝 | X85618 |
| 4 | J837-FC-HAL25A | 鋁角加工圖 | 2 | 1159 | 廠裝 | PE0E10034 |
| 5 | 1057 x 1159.5 | 雀仔網 | 2 | | 廠裝 | |
| 6 | J837-FC-BB25 | 背板加工圖 | 2 | 1057 | 廠裝 | 3mm鋁板 |

| 百葉玉編號 | 百葉玉長度L | 鋁板長度L1 | 百葉玉高度H | 鋁板高度H1 | 數量 | |
|---------------|----------------|--------|--------|--------|----|-----------|
| J837-FC-BYY26 | 1457 | 1347 | 1196.5 | 1159.5 | 2 | |
| 序號 | 物料編號 | 名稱 | 數量 | 長度 | 備註 | 模號 |
| 1 | J837-FC-VAL7 | 鋁角加工圖 | 2 | 1196.5 | 廠裝 | CA0000322 |
| 2 | J837-FC-VAL6 | 鋁角加工圖 | 2 | 1196.5 | 廠裝 | CA0000322 |
| 3 | J837-FC-HAL26G | 百葉片加工圖 | 28 | 1451 | 廠裝 | X85618 |
| 4 | J837-FC-HAL26A | 鋁角加工圖 | 2 | 1449 | 廠裝 | PE0E10034 |
| 5 | 1347 x 1159.5 | 雀仔網 | 2 | | 廠裝 | |
| 6 | J837-FC-BB26 | 背板加工圖 | 2 | 1347 | 廠裝 | 3mm鋁板 |

| 百葉玉編號 | 百葉玉長度L | 鋁板長度L1 | 百葉玉高度H | 鋁板高度H1 | 數量 | |
|---------------|----------------|--------|--------|--------|----|-----------|
| J837-FC-BYY27 | 1643 | 1533 | 1196.5 | 1159.5 | 1 | |
| 序號 | 物料編號 | 名稱 | 數量 | 長度 | 備註 | 模號 |
| 1 | J837-FC-VAL7 | 鋁角加工圖 | 1 | 1196.5 | 廠裝 | CA0000322 |
| 2 | J837-FC-VAL6 | 鋁角加工圖 | 1 | 1196.5 | 廠裝 | CA0000322 |
| 3 | J837-FC-HAL27G | 百葉片加工圖 | 14 | 1637 | 廠裝 | X85618 |
| 4 | J837-FC-HAL27A | 鋁角加工圖 | 1 | 1635 | 廠裝 | PE0E10034 |
| 5 | 1533 x 1159.5 | 雀仔網 | 1 | | 廠裝 | |
| 6 | J837-FC-BB27 | 背板加工圖 | 1 | 1533 | 廠裝 | 3mm鋁板 |

| 百葉玉編號 | 百葉玉長度L | 鋁板長度L1 | 百葉玉高度H | 鋁板高度H1 | 數量 | |
|---------------|----------------|--------|--------|--------|----|-----------|
| J837-FC-BYY28 | 1458 | 1348 | 1196.5 | 1159.5 | 1 | |
| 序號 | 物料編號 | 名稱 | 數量 | 長度 | 備註 | 模號 |
| 1 | J837-FC-VAL7 | 鋁角加工圖 | 1 | 1196.5 | 廠裝 | CA0000322 |
| 2 | J837-FC-VAL6 | 鋁角加工圖 | 1 | 1196.5 | 廠裝 | CA0000322 |
| 3 | J837-FC-HAL28G | 百葉片加工圖 | 14 | 1452 | 廠裝 | X85618 |
| 4 | J837-FC-HAL28A | 鋁角加工圖 | 1 | 1450 | 廠裝 | PE0E10034 |
| 5 | 1348 x 1159.5 | 雀仔網 | 1 | | 廠裝 | |
| 6 | J837-FC-BB28 | 背板加工圖 | 1 | 1348 | 廠裝 | 3mm鋁板 |

| | | | | | | | | |
|----|-----|----|-----|-----------|----|-----------------|--|--|
| 名稱 | 數據表 | 制圖 | 吳禕瑜 | 2019.5.07 | 修改 | | | |
| 材料 | - | 復核 | | | 日期 | | | |
| 顏色 | - | 批准 | | | 圖號 | J837-FC-BYY24-1 | | |



加工圖見: J837-FC-BYY24

工程號 J-837 地盤 觀塘

| 百葉玉編號 | 百葉玉長度L | 鋁板長度L1 | 百葉玉高度H | 鋁板高度H1 | 數量 | |
|---------------|----------------|--------|--------|--------|----|-----------|
| J837-FC-BYY29 | 1242 | 1132 | 1196.5 | 1159.5 | 1 | |
| 序號 | 物料編號 | 名稱 | 數量 | 長度 | 備註 | 模號 |
| 1 | J837-FC-VAL7 | 鋁角加工圖 | 1 | 1196.5 | 廠裝 | CA0000322 |
| 2 | J837-FC-VAL6 | 鋁角加工圖 | 1 | 1196.5 | 廠裝 | CA0000322 |
| 3 | J837-FC-HAL29G | 百葉片加工圖 | 14 | 1236 | 廠裝 | X85618 |
| 4 | J837-FC-HAL29A | 鋁角加工圖 | 1 | 1234 | 廠裝 | PE0E10034 |
| 5 | 1132 x 1159.5 | 雀仔網 | 1 | | 廠裝 | |
| 6 | J837-FC-BB29 | 背板加工圖 | 1 | 1132 | 廠裝 | 3mm鋁板 |

| 百葉玉編號 | 百葉玉長度L | 鋁板長度L1 | 百葉玉高度H | 鋁板高度H1 | 數量 | |
|---------------|----------------|--------|--------|--------|----|-----------|
| J837-FC-BYY30 | 1217 | 1107 | 1196.5 | 1159.5 | 2 | |
| 序號 | 物料編號 | 名稱 | 數量 | 長度 | 備註 | 模號 |
| 1 | J837-FC-VAL7 | 鋁角加工圖 | 2 | 1196.5 | 廠裝 | CA0000322 |
| 2 | J837-FC-VAL6 | 鋁角加工圖 | 2 | 1196.5 | 廠裝 | CA0000322 |
| 3 | J837-FC-HAL30G | 百葉片加工圖 | 28 | 1211 | 廠裝 | X85618 |
| 4 | J837-FC-HAL30A | 鋁角加工圖 | 2 | 1209 | 廠裝 | PE0E10034 |
| 5 | 1107 x 1159.5 | 雀仔網 | 2 | | 廠裝 | |
| 6 | J837-FC-BB30 | 背板加工圖 | 2 | 1107 | 廠裝 | 3mm鋁板 |

| 百葉玉編號 | 百葉玉長度L | 鋁板長度L1 | 百葉玉高度H | 鋁板高度H1 | 數量 | |
|---------------|----------------|--------|--------|--------|----|-----------|
| J837-FC-BYY31 | 1382 | 1272 | 1196.5 | 1159.5 | 12 | |
| 序號 | 物料編號 | 名稱 | 數量 | 長度 | 備註 | 模號 |
| 1 | J837-FC-VAL7 | 鋁角加工圖 | 12 | 1196.5 | 廠裝 | CA0000322 |
| 2 | J837-FC-VAL6 | 鋁角加工圖 | 12 | 1196.5 | 廠裝 | CA0000322 |
| 3 | J837-FC-HAL31G | 百葉片加工圖 | 168 | 1376 | 廠裝 | X85618 |
| 4 | J837-FC-HAL31A | 鋁角加工圖 | 12 | 1374 | 廠裝 | PE0E10034 |
| 5 | 1272 x 1159.5 | 雀仔網 | 12 | | 廠裝 | |
| 6 | J837-FC-BB31 | 背板加工圖 | 12 | 1272 | 廠裝 | 3mm鋁板 |

| 百葉玉編號 | 百葉玉長度L | 鋁板長度L1 | 百葉玉高度H | 鋁板高度H1 | 數量 | |
|---------------|----------------|--------|--------|--------|----|-----------|
| J837-FC-BYY74 | 1459 | 1349 | 1196.5 | 1159.5 | 1 | |
| 序號 | 物料編號 | 名稱 | 數量 | 長度 | 備註 | 模號 |
| 1 | J837-FC-VAL7 | 鋁角加工圖 | 1 | 1196.5 | 廠裝 | CA0000322 |
| 2 | J837-FC-VAL6 | 鋁角加工圖 | 1 | 1196.5 | 廠裝 | CA0000322 |
| 3 | J837-FC-HAL74G | 百葉片加工圖 | 14 | 1453 | 廠裝 | X85618 |
| 4 | J837-FC-HAL74A | 鋁角加工圖 | 1 | 1451 | 廠裝 | PE0E10034 |
| 5 | 1349 x 1159.5 | 雀仔網 | 1 | | 廠裝 | |
| 6 | J837-FC-BB74 | 背板加工圖 | 1 | 1349 | 廠裝 | 3mm鋁板 |

| 百葉玉編號 | 百葉玉長度L | 鋁板長度L1 | 百葉玉高度H | 鋁板高度H1 | 數量 | |
|---------------|----------------|--------|--------|--------|----|-----------|
| J837-FC-BYY75 | 1223 | 1113 | 1196.5 | 1159.5 | 1 | |
| 序號 | 物料編號 | 名稱 | 數量 | 長度 | 備註 | 模號 |
| 1 | J837-FC-VAL7 | 鋁角加工圖 | 1 | 1196.5 | 廠裝 | CA0000322 |
| 2 | J837-FC-VAL6 | 鋁角加工圖 | 1 | 1196.5 | 廠裝 | CA0000322 |
| 3 | J837-FC-HAL75G | 百葉片加工圖 | 14 | 1217 | 廠裝 | X85618 |
| 4 | J837-FC-HAL75A | 鋁角加工圖 | 1 | 1215 | 廠裝 | PE0E10034 |
| 5 | 1113 x 1159.5 | 雀仔網 | 1 | | 廠裝 | |
| 6 | J837-FC-BB75 | 背板加工圖 | 1 | 1113 | 廠裝 | 3mm鋁板 |

| | | | | | | | | |
|----|-----|----|-----|-----------|----|-----------------|--|--|
| 名稱 | 數據表 | 制圖 | 吳禱瑜 | 2019.5.07 | 修改 | | | |
| 材料 | - | 復核 | | | 日期 | | | |
| 顏色 | - | 批准 | | | 圖號 | J837-FC-BYY24-2 | | |



美特鋁質 有限公司
MIDI Aluminium Fabricator Ltd.

加工圖見: J837-FC-BYY24

工程號 J-837 地盤 觀塘

| 百葉玉編號 | 百葉玉長度L | 鋁板長度L1 | 百葉玉高度H | 鋁板高度H1 | 數量 | |
|---------------|----------------|--------|--------|--------|----|-----------|
| J837-FC-BYY77 | 1152 | 1042 | 1196.5 | 1159.5 | 1 | |
| 序號 | 物料編號 | 名稱 | 數量 | 長度 | 備註 | 模號 |
| 1 | J837-FC-VAL7 | 鋁角加工圖 | 1 | 1196.5 | 廠裝 | CA0000322 |
| 2 | J837-FC-VAL6 | 鋁角加工圖 | 1 | 1196.5 | 廠裝 | CA0000322 |
| 3 | J837-FC-HAL77G | 百葉片加工圖 | 14 | 1146 | 廠裝 | X85618 |
| 4 | J837-FC-HAL77A | 鋁角加工圖 | 1 | 1144 | 廠裝 | PE0E10034 |
| 5 | 1042 x 1159.5 | 雀仔網 | 1 | | 廠裝 | |
| 6 | J837-FC-BB77 | 背板加工圖 | 1 | 1042 | 廠裝 | 3mm鋁板 |

| 百葉玉編號 | 百葉玉長度L | 鋁板長度L1 | 百葉玉高度H | 鋁板高度H1 | 數量 | |
|---------------|----------------|--------|--------|--------|----|-----------|
| J837-FC-BYY78 | 1212 | 1102 | 1196.5 | 1159.5 | 1 | |
| 序號 | 物料編號 | 名稱 | 數量 | 長度 | 備註 | 模號 |
| 1 | J837-FC-VAL7 | 鋁角加工圖 | 1 | 1196.5 | 廠裝 | CA0000322 |
| 2 | J837-FC-VAL6 | 鋁角加工圖 | 1 | 1196.5 | 廠裝 | CA0000322 |
| 3 | J837-FC-HAL78G | 百葉片加工圖 | 14 | 1206 | 廠裝 | X85618 |
| 4 | J837-FC-HAL78A | 鋁角加工圖 | 1 | 1204 | 廠裝 | PE0E10034 |
| 5 | 1102 x 1159.5 | 雀仔網 | 1 | | 廠裝 | |
| 6 | J837-FC-BB78 | 背板加工圖 | 1 | 1102 | 廠裝 | 3mm鋁板 |

| 百葉玉編號 | 百葉玉長度L | 鋁板長度L1 | 百葉玉高度H | 鋁板高度H1 | 數量 | |
|---------------|----------------|--------|--------|--------|----|-----------|
| J837-FC-BYY80 | 1114 | 1004 | 1196.5 | 1159.5 | 2 | |
| 序號 | 物料編號 | 名稱 | 數量 | 長度 | 備註 | 模號 |
| 1 | J837-FC-VAL7 | 鋁角加工圖 | 2 | 1196.5 | 廠裝 | CA0000322 |
| 2 | J837-FC-VAL6 | 鋁角加工圖 | 2 | 1196.5 | 廠裝 | CA0000322 |
| 3 | J837-FC-HAL80G | 百葉片加工圖 | 28 | 1108 | 廠裝 | X85618 |
| 4 | J837-FC-HAL80A | 鋁角加工圖 | 2 | 1106 | 廠裝 | PE0E10034 |
| 5 | 1004 x 1159.5 | 雀仔網 | 2 | | 廠裝 | |
| 6 | J837-FC-BB80 | 背板加工圖 | 2 | 1004 | 廠裝 | 3mm鋁板 |

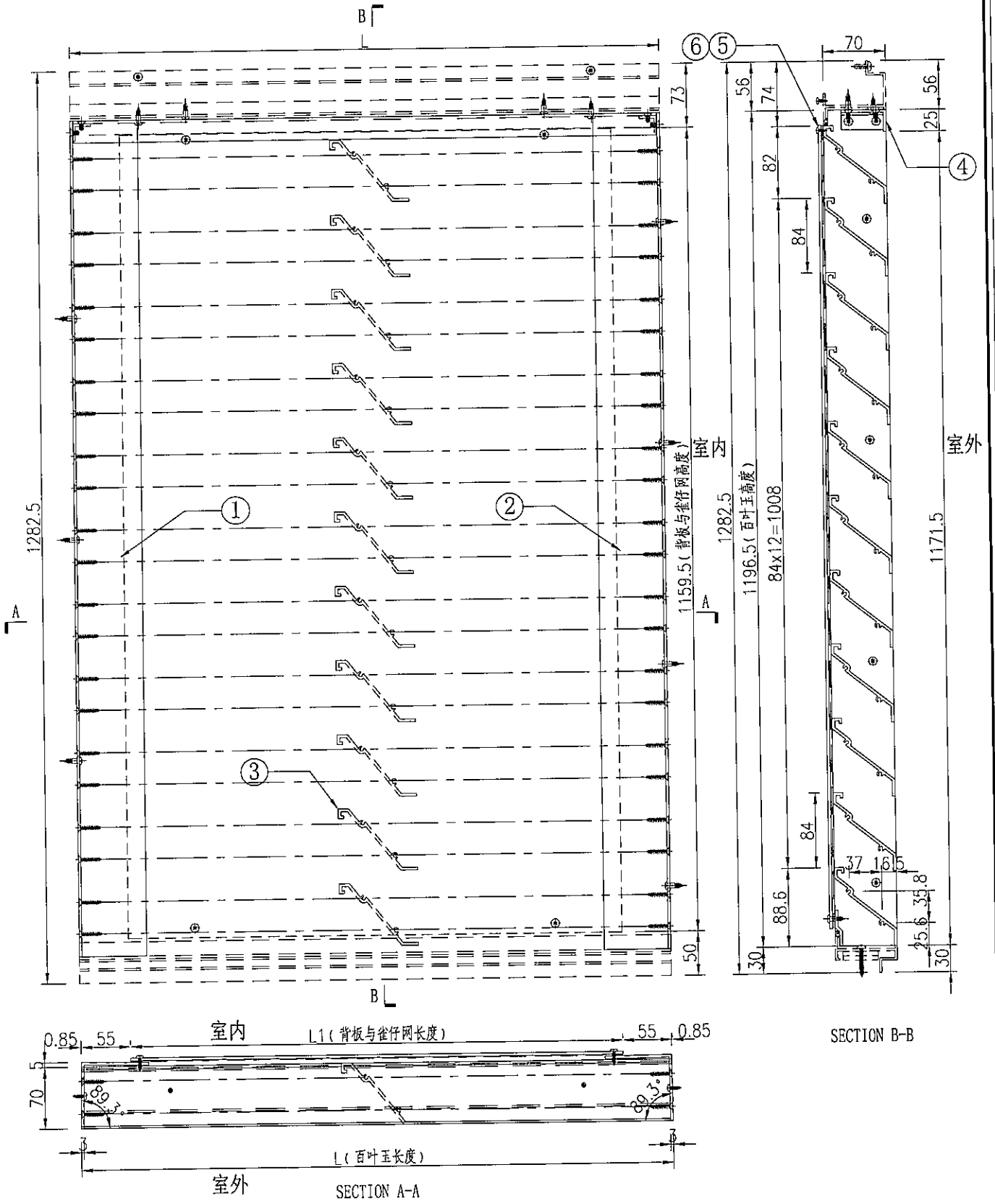
| 百葉玉編號 | 百葉玉長度L | 鋁板長度L1 | 百葉玉高度H | 鋁板高度H1 | 數量 | |
|---------------|----------------|--------|--------|--------|----|-----------|
| J837-FC-BYY81 | 1167 | 1057 | 1196.5 | 1159.5 | 2 | |
| 序號 | 物料編號 | 名稱 | 數量 | 長度 | 備註 | 模號 |
| 1 | J837-FC-VAL7 | 鋁角加工圖 | 2 | 1196.5 | 廠裝 | CA0000322 |
| 2 | J837-FC-VAL6 | 鋁角加工圖 | 2 | 1196.5 | 廠裝 | CA0000322 |
| 3 | J837-FC-HAL81G | 百葉片加工圖 | 28 | 1161 | 廠裝 | X85618 |
| 4 | J837-FC-HAL81A | 鋁角加工圖 | 2 | 1159 | 廠裝 | PE0E10034 |
| 5 | 1057 x 1159.5 | 雀仔網 | 2 | | 廠裝 | |
| 6 | J837-FC-BB81 | 背板加工圖 | 2 | 1057 | 廠裝 | 3mm鋁板 |

| 百葉玉編號 | 百葉玉長度L | 鋁板長度L1 | 百葉玉高度H | 鋁板高度H1 | 數量 | |
|---------------|----------------|--------|--------|--------|----|-----------|
| J837-FC-BYY82 | 1164 | 1054 | 1196.5 | 1159.5 | 2 | |
| 序號 | 物料編號 | 名稱 | 數量 | 長度 | 備註 | 模號 |
| 1 | J837-FC-VAL7 | 鋁角加工圖 | 2 | 1196.5 | 廠裝 | CA0000322 |
| 2 | J837-FC-VAL6 | 鋁角加工圖 | 2 | 1196.5 | 廠裝 | CA0000322 |
| 3 | J837-FC-HAL82G | 百葉片加工圖 | 28 | 1158 | 廠裝 | X85618 |
| 4 | J837-FC-HAL82A | 鋁角加工圖 | 2 | 1156 | 廠裝 | PE0E10034 |
| 5 | 1054 x 1159.5 | 雀仔網 | 2 | | 廠裝 | |
| 6 | J837-FC-BB82 | 背板加工圖 | 2 | 1054 | 廠裝 | 3mm鋁板 |

| | | | | | | | |
|----|-----|----|-----|-----------|----|-----------------|--|
| 名稱 | 數據表 | 制圖 | 吳禕瑜 | 2019.5.07 | 修改 | | |
| 材料 | - | 復核 | | | 日期 | | |
| 顏色 | - | 批准 | | | 圖號 | J837-FC-BYY24-3 | |



工程號 J-837 地盤 觀塘



| | | | | | | | |
|----|--------|----|-----|-----------|----|---------------|--|
| 名稱 | 百葉玉組裝圖 | 制圖 | 吳禕瑜 | 2019.5.07 | 修改 | | |
| 材料 | - | 復核 | | | 日期 | | |
| 顏色 | - | 批准 | | | 圖號 | J837-FC-BYY33 | |



美特鋁質 有限公司
MIDI Aluminium Fabricator Ltd.

加工圖見: J837-FC-BYY33

工程號 J-837 地盤 觀塘

| 百葉玉編號 | 百葉玉長度L | 鋁板長度L1 | 百葉玉高度H | 鋁板高度H1 | 數量 | |
|---------------|-----------------|--------|--------|--------|----|-----------|
| J837-FC-BYY33 | 1373 | 1261.3 | 1196.5 | 1159.5 | 1 | |
| 序號 | 物料編號 | 名稱 | 數量 | 長度 | 備註 | 模號 |
| 1 | J837-FC-VAL7 | 鋁角加工圖 | 1 | 1196.5 | 廠裝 | CA0000322 |
| 2 | J837-FC-VAL6 | 鋁角加工圖 | 1 | 1196.5 | 廠裝 | CA0000322 |
| 3 | J837-FC-HAL33G | 百葉片加工圖 | 14 | 1367 | 廠裝 | X85618 |
| 4 | J837-FC-HAL33A | 鋁角加工圖 | 1 | 1365 | 廠裝 | PE0E10034 |
| 5 | 1261.3 x 1159.5 | 雀仔網 | 1 | | 廠裝 | |
| 6 | J837-FC-BB33 | 背板加工圖 | 1 | 1261.3 | 廠裝 | 3mm鋁板 |

| 百葉玉編號 | 百葉玉長度L | 鋁板長度L1 | 百葉玉高度H | 鋁板高度H1 | 數量 | |
|---------------|-----------------|--------|--------|--------|----|-----------|
| J837-FC-BYY34 | 2290 | 2178.3 | 1196.5 | 1159.5 | 1 | |
| 序號 | 物料編號 | 名稱 | 數量 | 長度 | 備註 | 模號 |
| 1 | J837-FC-VAL7 | 鋁角加工圖 | 1 | 1196.5 | 廠裝 | CA0000322 |
| 2 | J837-FC-VAL6 | 鋁角加工圖 | 1 | 1196.5 | 廠裝 | CA0000322 |
| 3 | J837-FC-HAL34G | 百葉片加工圖 | 14 | 2284 | 廠裝 | X85618 |
| 4 | J837-FC-HAL34A | 鋁角加工圖 | 1 | 2282 | 廠裝 | PE0E10034 |
| 5 | 2178.3 x 1159.5 | 雀仔網 | 1 | | 廠裝 | |
| 6 | J837-FC-BB34 | 背板加工圖 | 1 | 2178.3 | 廠裝 | 3mm鋁板 |

| 百葉玉編號 | 百葉玉長度L | 鋁板長度L1 | 百葉玉高度H | 鋁板高度H1 | 數量 | |
|---------------|-----------------|--------|--------|--------|----|-----------|
| J837-FC-BYY35 | 1520 | 1408.3 | 1196.5 | 1159.5 | 1 | |
| 序號 | 物料編號 | 名稱 | 數量 | 長度 | 備註 | 模號 |
| 1 | J837-FC-VAL7 | 鋁角加工圖 | 1 | 1196.5 | 廠裝 | CA0000322 |
| 2 | J837-FC-VAL6 | 鋁角加工圖 | 1 | 1196.5 | 廠裝 | CA0000322 |
| 3 | J837-FC-HAL35G | 百葉片加工圖 | 14 | 1514 | 廠裝 | X85618 |
| 4 | J837-FC-HAL35A | 鋁角加工圖 | 1 | 1512 | 廠裝 | PE0E10034 |
| 5 | 1408.3 x 1159.5 | 雀仔網 | 1 | | 廠裝 | |
| 6 | J837-FC-BB35 | 背板加工圖 | 1 | 1408.3 | 廠裝 | 3mm鋁板 |

| 百葉玉編號 | 百葉玉長度L | 鋁板長度L1 | 百葉玉高度H | 鋁板高度H1 | 數量 | |
|---------------|-----------------|--------|--------|--------|----|-----------|
| J837-FC-BYY36 | 1479 | 1367.3 | 1196.5 | 1159.5 | 1 | |
| 序號 | 物料編號 | 名稱 | 數量 | 長度 | 備註 | 模號 |
| 1 | J837-FC-VAL7 | 鋁角加工圖 | 1 | 1196.5 | 廠裝 | CA0000322 |
| 2 | J837-FC-VAL6 | 鋁角加工圖 | 1 | 1196.5 | 廠裝 | CA0000322 |
| 3 | J837-FC-HAL36G | 百葉片加工圖 | 14 | 1473 | 廠裝 | X85618 |
| 4 | J837-FC-HAL36A | 鋁角加工圖 | 1 | 1471 | 廠裝 | PE0E10034 |
| 5 | 1367.3 x 1159.5 | 雀仔網 | 1 | | 廠裝 | |
| 6 | J837-FC-BB36 | 背板加工圖 | 1 | 1367.3 | 廠裝 | 3mm鋁板 |

| 百葉玉編號 | 百葉玉長度L | 鋁板長度L1 | 百葉玉高度H | 鋁板高度H1 | 數量 | |
|---------------|-----------------|--------|--------|--------|----|-----------|
| J837-FC-BYY37 | 1567 | 1455.3 | 1196.5 | 1159.5 | 2 | |
| 序號 | 物料編號 | 名稱 | 數量 | 長度 | 備註 | 模號 |
| 1 | J837-FC-VAL7 | 鋁角加工圖 | 2 | 1196.5 | 廠裝 | CA0000322 |
| 2 | J837-FC-VAL6 | 鋁角加工圖 | 2 | 1196.5 | 廠裝 | CA0000322 |
| 3 | J837-FC-HAL37G | 百葉片加工圖 | 28 | 1561 | 廠裝 | X85618 |
| 4 | J837-FC-HAL37A | 鋁角加工圖 | 2 | 1559 | 廠裝 | PE0E10034 |
| 5 | 1455.3 x 1159.5 | 雀仔網 | 2 | | 廠裝 | |
| 6 | J837-FC-BB37 | 背板加工圖 | 2 | 1455.3 | 廠裝 | 3mm鋁板 |

| 百葉玉編號 | 百葉玉長度L | 鋁板長度L1 | 百葉玉高度H | 鋁板高度H1 | 數量 | |
|---------------|-----------------|--------|--------|--------|----|-----------|
| J837-FC-BYY38 | 1459 | 1347.3 | 1196.5 | 1159.5 | 1 | |
| 序號 | 物料編號 | 名稱 | 數量 | 長度 | 備註 | 模號 |
| 1 | J837-FC-VAL7 | 鋁角加工圖 | 1 | 1196.5 | 廠裝 | CA0000322 |
| 2 | J837-FC-VAL6 | 鋁角加工圖 | 1 | 1196.5 | 廠裝 | CA0000322 |
| 3 | J837-FC-HAL38G | 百葉片加工圖 | 14 | 1453 | 廠裝 | X85618 |
| 4 | J837-FC-HAL38A | 鋁角加工圖 | 1 | 1451 | 廠裝 | PE0E10034 |
| 5 | 1347.3 x 1159.5 | 雀仔網 | 1 | | 廠裝 | |
| 6 | J837-FC-BB38 | 背板加工圖 | 1 | 1347.3 | 廠裝 | 3mm鋁板 |

| | | | | | | | |
|----|-----|----|-----|-----------|----|-----------------|--|
| 名稱 | 數據表 | 制圖 | 吳禕瑜 | 2019.5.07 | 修改 | | |
| 材料 | - | 復核 | | | 日期 | | |
| 顏色 | - | 批准 | | | 圖號 | J837-FC-BYY33-1 | |



美特鋁質有限公司
MIDI Aluminium Fabricator Ltd.

加工圖見: J837-FC-BYY33

工程號 J-837 地盤 觀塘

| 百葉玉編號 | 百葉玉長度L | 鋁板長度L1 | 百葉玉高度H | 鋁板高度H1 | 數量 | |
|---------------|---------------------|--------|--------|--------|----|-----------|
| J837-FC-BYY39 | 1520 | 1408.3 | 1196.5 | 1159.5 | 4 | |
| 序號 | 物料編號 | 名稱 | 數量 | 長度 | 備註 | 模號 |
| 1 | J837-FC-VAL7 | 鋁角加工圖 | 4 | 1196.5 | 廠裝 | CA0000322 |
| 2 | J837-FC-VAL6 | 鋁角加工圖 | 4 | 1196.5 | 廠裝 | CA0000322 |
| 3 | J837-FC-HAL39G | 百葉片加工圖 | 56 | 1514 | 廠裝 | X85618 |
| 4 | J837-FC-HAL39A | 鋁角加工圖 | 4 | 1512 | 廠裝 | PE0E10034 |
| 5 | 1408.3 x 1159.5 | 雀仔網 | 4 | | 廠裝 | |
| 6 | J837-FC-BB39 | 背板加工圖 | 4 | 1408.3 | 廠裝 | 3mm鋁板 |

| 百葉玉編號 | 百葉玉長度L | 鋁板長度L1 | 百葉玉高度H | 鋁板高度H1 | 數量 | |
|---------------|---------------------|--------|--------|--------|----|-----------|
| J837-FC-BYY41 | 1515 | 1403.3 | 1196.5 | 1159.5 | 1 | |
| 序號 | 物料編號 | 名稱 | 數量 | 長度 | 備註 | 模號 |
| 1 | J837-FC-VAL7 | 鋁角加工圖 | 1 | 1196.5 | 廠裝 | CA0000322 |
| 2 | J837-FC-VAL6 | 鋁角加工圖 | 1 | 1196.5 | 廠裝 | CA0000322 |
| 3 | J837-FC-HAL41G | 百葉片加工圖 | 14 | 1509 | 廠裝 | X85618 |
| 4 | J837-FC-HAL41A | 鋁角加工圖 | 1 | 1507 | 廠裝 | PE0E10034 |
| 5 | 1403.3 x 1159.5 | 雀仔網 | 1 | | 廠裝 | |
| 6 | J837-FC-BB41 | 背板加工圖 | 1 | 1403.3 | 廠裝 | 3mm鋁板 |

| 百葉玉編號 | 百葉玉長度L | 鋁板長度L1 | 百葉玉高度H | 鋁板高度H1 | 數量 | |
|---------------|---------------------|--------|--------|--------|----|-----------|
| J837-FC-BYY42 | 1704 | 1592.3 | 1196.5 | 1159.5 | 1 | |
| 序號 | 物料編號 | 名稱 | 數量 | 長度 | 備註 | 模號 |
| 1 | J837-FC-VAL7 | 鋁角加工圖 | 1 | 1196.5 | 廠裝 | CA0000322 |
| 2 | J837-FC-VAL6 | 鋁角加工圖 | 1 | 1196.5 | 廠裝 | CA0000322 |
| 3 | J837-FC-HAL42G | 百葉片加工圖 | 14 | 1698 | 廠裝 | X85618 |
| 4 | J837-FC-HAL42A | 鋁角加工圖 | 1 | 1696 | 廠裝 | PE0E10034 |
| 5 | 1592.3 x 1159.5 | 雀仔網 | 1 | | 廠裝 | |
| 6 | J837-FC-BB42 | 背板加工圖 | 1 | 1592.3 | 廠裝 | 3mm鋁板 |

| 百葉玉編號 | 百葉玉長度L | 鋁板長度L1 | 百葉玉高度H | 鋁板高度H1 | 數量 | |
|---------------|---------------------|--------|--------|--------|----|-----------|
| J837-FC-BYY43 | 1405 | 1293.3 | 1196.5 | 1159.5 | 1 | |
| 序號 | 物料編號 | 名稱 | 數量 | 長度 | 備註 | 模號 |
| 1 | J837-FC-VAL7 | 鋁角加工圖 | 1 | 1196.5 | 廠裝 | CA0000322 |
| 2 | J837-FC-VAL6 | 鋁角加工圖 | 1 | 1196.5 | 廠裝 | CA0000322 |
| 3 | J837-FC-HAL43G | 百葉片加工圖 | 14 | 1399 | 廠裝 | X85618 |
| 4 | J837-FC-HAL43A | 鋁角加工圖 | 1 | 1397 | 廠裝 | PE0E10034 |
| 5 | 1293.3 x 1159.5 | 雀仔網 | 1 | | 廠裝 | |
| 6 | J837-FC-BB43 | 背板加工圖 | 1 | 1293.3 | 廠裝 | 3mm鋁板 |

| 百葉玉編號 | 百葉玉長度L | 鋁板長度L1 | 百葉玉高度H | 鋁板高度H1 | 數量 | |
|---------------|---------------------|--------|--------|--------|----|-----------|
| J837-FC-BYY44 | 1721 | 1609.3 | 1196.5 | 1159.5 | 1 | |
| 序號 | 物料編號 | 名稱 | 數量 | 長度 | 備註 | 模號 |
| 1 | J837-FC-VAL7 | 鋁角加工圖 | 1 | 1196.5 | 廠裝 | CA0000322 |
| 2 | J837-FC-VAL6 | 鋁角加工圖 | 1 | 1196.5 | 廠裝 | CA0000322 |
| 3 | J837-FC-HAL44G | 百葉片加工圖 | 14 | 1715 | 廠裝 | X85618 |
| 4 | J837-FC-HAL44A | 鋁角加工圖 | 1 | 1713 | 廠裝 | PE0E10034 |
| 5 | 1609.3 x 1159.5 | 雀仔網 | 1 | | 廠裝 | |
| 6 | J837-FC-BB44 | 背板加工圖 | 1 | 1609.3 | 廠裝 | 3mm鋁板 |

| 百葉玉編號 | 百葉玉長度L | 鋁板長度L1 | 百葉玉高度H | 鋁板高度H1 | 數量 | |
|---------------|---------------------|--------|--------|--------|----|-----------|
| J837-FC-BYY45 | 1633 | 1521.3 | 1196.5 | 1159.5 | 1 | |
| 序號 | 物料編號 | 名稱 | 數量 | 長度 | 備註 | 模號 |
| 1 | J837-FC-VAL7 | 鋁角加工圖 | 1 | 1196.5 | 廠裝 | CA0000322 |
| 2 | J837-FC-VAL6 | 鋁角加工圖 | 1 | 1196.5 | 廠裝 | CA0000322 |
| 3 | J837-FC-HAL45G | 百葉片加工圖 | 14 | 1627 | 廠裝 | X85618 |
| 4 | J837-FC-HAL45A | 鋁角加工圖 | 1 | 1625 | 廠裝 | PE0E10034 |
| 5 | 1521.3 x 1159.5 | 雀仔網 | 1 | | 廠裝 | |
| 6 | J837-FC-BB45 | 背板加工圖 | 1 | 1521.3 | 廠裝 | 3mm鋁板 |

| | | | | | | | | |
|----|-----|----|-----|-----------|----|-----------------|--|--|
| 名稱 | 數據表 | 制圖 | 吳禱瑜 | 2019.5.07 | 修改 | | | |
| 材料 | - | 復核 | | | 日期 | | | |
| 顏色 | - | 批准 | | | 圖號 | J837-FC-BYY33-2 | | |



美特鋁質有限公司
MIDI Aluminium Fabricator Ltd.

加工圖見: J837-FC-BYY33

工程號 J-837 地盤 觀塘

| 百葉玉編號 | | 百葉玉長度L | 鋁板長度L1 | 百葉玉高度H | 鋁板高度H1 | 數量 |
|---------------|---------------------|--------|--------|--------|--------|-----------|
| J837-FC-BYY46 | | 1524 | 1412.3 | 1196.5 | 1159.5 | 3 |
| 序號 | 物料編號 | 名稱 | 數量 | 長度 | 備註 | 模號 |
| 1 | J837-FC-VAL7 | 鋁角加工圖 | 3 | 1196.5 | 廠裝 | CA0000322 |
| 2 | J837-FC-VAL6 | 鋁角加工圖 | 3 | 1196.5 | 廠裝 | CA0000322 |
| 3 | J837-FC-HAL46G | 百葉片加工圖 | 42 | 1518 | 廠裝 | X85618 |
| 4 | J837-FC-HAL46A | 鋁角加工圖 | 3 | 1516 | 廠裝 | PE0E10034 |
| 5 | 1412.3 x 1159.5 | 雀仔網 | 3 | | 廠裝 | |
| 6 | J837-FC-BB46 | 背板加工圖 | 3 | 1412.3 | 廠裝 | 3mm鋁板 |

| 百葉玉編號 | | 百葉玉長度L | 鋁板長度L1 | 百葉玉高度H | 鋁板高度H1 | 數量 |
|---------------|---------------------|--------|--------|--------|--------|-----------|
| J837-FC-BYY47 | | 1463 | 1351.3 | 1196.5 | 1159.5 | 1 |
| 序號 | 物料編號 | 名稱 | 數量 | 長度 | 備註 | 模號 |
| 1 | J837-FC-VAL7 | 鋁角加工圖 | 1 | 1196.5 | 廠裝 | CA0000322 |
| 2 | J837-FC-VAL6 | 鋁角加工圖 | 1 | 1196.5 | 廠裝 | CA0000322 |
| 3 | J837-FC-HAL47G | 百葉片加工圖 | 14 | 1457 | 廠裝 | X85618 |
| 4 | J837-FC-HAL47A | 鋁角加工圖 | 1 | 1455 | 廠裝 | PE0E10034 |
| 5 | 1351.3 x 1159.5 | 雀仔網 | 1 | | 廠裝 | |
| 6 | J837-FC-BB47 | 背板加工圖 | 1 | 1351.3 | 廠裝 | 3mm鋁板 |

| 百葉玉編號 | | 百葉玉長度L | 鋁板長度L1 | 百葉玉高度H | 鋁板高度H1 | 數量 |
|---------------|---------------------|--------|--------|--------|--------|-----------|
| J837-FC-BYY48 | | 1585 | 1473.3 | 1196.5 | 1159.5 | 2 |
| 序號 | 物料編號 | 名稱 | 數量 | 長度 | 備註 | 模號 |
| 1 | J837-FC-VAL7 | 鋁角加工圖 | 2 | 1196.5 | 廠裝 | CA0000322 |
| 2 | J837-FC-VAL6 | 鋁角加工圖 | 2 | 1196.5 | 廠裝 | CA0000322 |
| 3 | J837-FC-HAL48G | 百葉片加工圖 | 28 | 1579 | 廠裝 | X85618 |
| 4 | J837-FC-HAL48A | 鋁角加工圖 | 2 | 1577 | 廠裝 | PE0E10034 |
| 5 | 1473.3 x 1159.5 | 雀仔網 | 2 | | 廠裝 | |
| 6 | J837-FC-BB48 | 背板加工圖 | 2 | 1473.3 | 廠裝 | 3mm鋁板 |

| 百葉玉編號 | | 百葉玉長度L | 鋁板長度L1 | 百葉玉高度H | 鋁板高度H1 | 數量 |
|---------------|---------------------|--------|--------|--------|--------|-----------|
| J837-FC-BYY49 | | 1980 | 1868.3 | 1196.5 | 1159.5 | 1 |
| 序號 | 物料編號 | 名稱 | 數量 | 長度 | 備註 | 模號 |
| 1 | J837-FC-VAL7 | 鋁角加工圖 | 1 | 1196.5 | 廠裝 | CA0000322 |
| 2 | J837-FC-VAL6 | 鋁角加工圖 | 1 | 1196.5 | 廠裝 | CA0000322 |
| 3 | J837-FC-HAL49G | 百葉片加工圖 | 14 | 1974 | 廠裝 | X85618 |
| 4 | J837-FC-HAL49A | 鋁角加工圖 | 1 | 1972 | 廠裝 | PE0E10034 |
| 5 | 1868.3 x 1159.5 | 雀仔網 | 1 | | 廠裝 | |
| 6 | J837-FC-BB49 | 背板加工圖 | 1 | 1868.3 | 廠裝 | 3mm鋁板 |

| 百葉玉編號 | | 百葉玉長度L | 鋁板長度L1 | 百葉玉高度H | 鋁板高度H1 | 數量 |
|---------------|---------------------|--------|--------|--------|--------|-----------|
| J837-FC-BYY50 | | 1417 | 1305.3 | 1196.5 | 1159.5 | 15 |
| 序號 | 物料編號 | 名稱 | 數量 | 長度 | 備註 | 模號 |
| 1 | J837-FC-VAL7 | 鋁角加工圖 | 15 | 1196.5 | 廠裝 | CA0000322 |
| 2 | J837-FC-VAL6 | 鋁角加工圖 | 15 | 1196.5 | 廠裝 | CA0000322 |
| 3 | J837-FC-HAL50G | 百葉片加工圖 | 210 | 1411 | 廠裝 | X85618 |
| 4 | J837-FC-HAL50A | 鋁角加工圖 | 15 | 1409 | 廠裝 | PE0E10034 |
| 5 | 1305.3 x 1159.5 | 雀仔網 | 15 | | 廠裝 | |
| 6 | J837-FC-BB50 | 背板加工圖 | 15 | 1305.3 | 廠裝 | 3mm鋁板 |

| 百葉玉編號 | | 百葉玉長度L | 鋁板長度L1 | 百葉玉高度H | 鋁板高度H1 | 數量 |
|---------------|---------------------|--------|--------|--------|--------|-----------|
| J837-FC-BYY51 | | 1820 | 1708.3 | 1196.5 | 1159.5 | 1 |
| 序號 | 物料編號 | 名稱 | 數量 | 長度 | 備註 | 模號 |
| 1 | J837-FC-VAL7 | 鋁角加工圖 | 1 | 1196.5 | 廠裝 | CA0000322 |
| 2 | J837-FC-VAL6 | 鋁角加工圖 | 1 | 1196.5 | 廠裝 | CA0000322 |
| 3 | J837-FC-HAL51G | 百葉片加工圖 | 14 | 1814 | 廠裝 | X85618 |
| 4 | J837-FC-HAL51A | 鋁角加工圖 | 1 | 1812 | 廠裝 | PE0E10034 |
| 5 | 1708.3 x 1159.5 | 雀仔網 | 1 | | 廠裝 | |
| 6 | J837-FC-BB51 | 背板加工圖 | 1 | 1708.3 | 廠裝 | 3mm鋁板 |

| | | | | | | | |
|----|-----|----|-----|-----------|----|-----------------|--|
| 名稱 | 數據表 | 制圖 | 吳禕瑜 | 2019.5.07 | 修改 | | |
| 材料 | - | 復核 | | | 日期 | | |
| 顏色 | - | 批准 | | | 圖號 | J837-FC-BYY33-3 | |



美特鋁質 有限公司
MIDI Aluminium Fabricator Ltd.

加工圖見: J837-FC-BYY33

工程號 J-837 地盤 觀塘

| 百葉玉編號 | 百葉玉長度L | 鋁板長度L1 | 百葉玉高度H | 鋁板高度H1 | 數量 | |
|---------------|---------------------|--------|--------|--------|----|-----------|
| J837-FC-BYY52 | 1269 | 1157.3 | 1196.5 | 1159.5 | 3 | |
| 序號 | 物料編號 | 名稱 | 數量 | 長度 | 備註 | 模號 |
| 1 | J837-FC-VAL7 | 鋁角加工圖 | 3 | 1196.5 | 廠裝 | CA0000322 |
| 2 | J837-FC-VAL6 | 鋁角加工圖 | 3 | 1196.5 | 廠裝 | CA0000322 |
| 3 | J837-FC-HAL52G | 百葉片加工圖 | 42 | 1263 | 廠裝 | X85618 |
| 4 | J837-FC-HAL52A | 鋁角加工圖 | 3 | 1261 | 廠裝 | PE0E10034 |
| 5 | 1157.3 x 1159.5 | 雀仔網 | 3 | | 廠裝 | |
| 6 | J837-FC-BB52 | 背板加工圖 | 3 | 1157.3 | 廠裝 | 3mm鋁板 |

| 百葉玉編號 | 百葉玉長度L | 鋁板長度L1 | 百葉玉高度H | 鋁板高度H1 | 數量 | |
|---------------|---------------------|--------|--------|--------|----|-----------|
| J837-FC-BYY53 | 1500 | 1388.3 | 1196.5 | 1159.5 | 1 | |
| 序號 | 物料編號 | 名稱 | 數量 | 長度 | 備註 | 模號 |
| 1 | J837-FC-VAL7 | 鋁角加工圖 | 1 | 1196.5 | 廠裝 | CA0000322 |
| 2 | J837-FC-VAL6 | 鋁角加工圖 | 1 | 1196.5 | 廠裝 | CA0000322 |
| 3 | J837-FC-HAL53G | 百葉片加工圖 | 14 | 1494 | 廠裝 | X85618 |
| 4 | J837-FC-HAL53A | 鋁角加工圖 | 1 | 1492 | 廠裝 | PE0E10034 |
| 5 | 1388.3 x 1159.5 | 雀仔網 | 1 | | 廠裝 | |
| 6 | J837-FC-BB53 | 背板加工圖 | 1 | 1388.3 | 廠裝 | 3mm鋁板 |

| 百葉玉編號 | 百葉玉長度L | 鋁板長度L1 | 百葉玉高度H | 鋁板高度H1 | 數量 | |
|---------------|---------------------|--------|--------|--------|----|-----------|
| J837-FC-BYY57 | 1424 | 1312.3 | 1196.5 | 1159.5 | 1 | |
| 序號 | 物料編號 | 名稱 | 數量 | 長度 | 備註 | 模號 |
| 1 | J837-FC-VAL7 | 鋁角加工圖 | 1 | 1196.5 | 廠裝 | CA0000322 |
| 2 | J837-FC-VAL6 | 鋁角加工圖 | 1 | 1196.5 | 廠裝 | CA0000322 |
| 3 | J837-FC-HAL57G | 百葉片加工圖 | 14 | 1418 | 廠裝 | X85618 |
| 4 | J837-FC-HAL57A | 鋁角加工圖 | 1 | 1416 | 廠裝 | PE0E10034 |
| 5 | 1312.3 x 1159.5 | 雀仔網 | 1 | | 廠裝 | |
| 6 | J837-FC-BB57 | 背板加工圖 | 1 | 1312.3 | 廠裝 | 3mm鋁板 |

| 百葉玉編號 | 百葉玉長度L | 鋁板長度L1 | 百葉玉高度H | 鋁板高度H1 | 數量 | |
|---------------|---------------------|--------|--------|--------|----|-----------|
| J837-FC-BYY58 | 1308 | 1196.3 | 1196.5 | 1159.5 | 1 | |
| 序號 | 物料編號 | 名稱 | 數量 | 長度 | 備註 | 模號 |
| 1 | J837-FC-VAL7 | 鋁角加工圖 | 1 | 1196.5 | 廠裝 | CA0000322 |
| 2 | J837-FC-VAL6 | 鋁角加工圖 | 1 | 1196.5 | 廠裝 | CA0000322 |
| 3 | J837-FC-HAL58G | 百葉片加工圖 | 14 | 1302 | 廠裝 | X85618 |
| 4 | J837-FC-HAL58A | 鋁角加工圖 | 1 | 1300 | 廠裝 | PE0E10034 |
| 5 | 1196.3 x 1159.5 | 雀仔網 | 1 | | 廠裝 | |
| 6 | J837-FC-BB58 | 背板加工圖 | 1 | 1196.3 | 廠裝 | 3mm鋁板 |

| 百葉玉編號 | 百葉玉長度L | 鋁板長度L1 | 百葉玉高度H | 鋁板高度H1 | 數量 | |
|---------------|---------------------|--------|--------|--------|----|-----------|
| J837-FC-BYY59 | 1577 | 1465.3 | 1196.5 | 1159.5 | 1 | |
| 序號 | 物料編號 | 名稱 | 數量 | 長度 | 備註 | 模號 |
| 1 | J837-FC-VAL7 | 鋁角加工圖 | 1 | 1196.5 | 廠裝 | CA0000322 |
| 2 | J837-FC-VAL6 | 鋁角加工圖 | 1 | 1196.5 | 廠裝 | CA0000322 |
| 3 | J837-FC-HAL59G | 百葉片加工圖 | 14 | 1571 | 廠裝 | X85618 |
| 4 | J837-FC-HAL59A | 鋁角加工圖 | 1 | 1569 | 廠裝 | PE0E10034 |
| 5 | 1465.3 x 1159.5 | 雀仔網 | 1 | | 廠裝 | |
| 6 | J837-FC-BB59 | 背板加工圖 | 1 | 1465.3 | 廠裝 | 3mm鋁板 |

| 百葉玉編號 | 百葉玉長度L | 鋁板長度L1 | 百葉玉高度H | 鋁板高度H1 | 數量 | |
|---------------|---------------------|--------|--------|--------|----|-----------|
| J837-FC-BYY60 | 1565 | 1453.3 | 1196.5 | 1159.5 | 1 | |
| 序號 | 物料編號 | 名稱 | 數量 | 長度 | 備註 | 模號 |
| 1 | J837-FC-VAL7 | 鋁角加工圖 | 1 | 1196.5 | 廠裝 | CA0000322 |
| 2 | J837-FC-VAL6 | 鋁角加工圖 | 1 | 1196.5 | 廠裝 | CA0000322 |
| 3 | J837-FC-HAL60G | 百葉片加工圖 | 14 | 1559 | 廠裝 | X85618 |
| 4 | J837-FC-HAL60A | 鋁角加工圖 | 1 | 1557 | 廠裝 | PE0E10034 |
| 5 | 1453.3 x 1159.5 | 雀仔網 | 1 | | 廠裝 | |
| 6 | J837-FC-BB60 | 背板加工圖 | 1 | 1453.3 | 廠裝 | 3mm鋁板 |

| | | | | | | | |
|----|-----|----|-----|-----------|----|-----------------|--|
| 名稱 | 數據表 | 制圖 | 吳禕瑜 | 2019.5.07 | 修改 | | |
| 材料 | - | 復核 | | | 日期 | | |
| 顏色 | - | 批准 | | | 圖號 | J837-FC-BYY33-4 | |



美特鋁質 有限公司
MIDI Aluminium Fabricator Ltd.

加工圖見: J837-FC-BYY33

工程號 J-837 地盤 觀塘

| 百葉玉編號 | 百葉玉長度L | 鋁板長度L1 | 百葉玉高度H | 鋁板高度H1 | 數量 | |
|---------------|---------------------|--------|--------|--------|----|-----------|
| J837-FC-BYY61 | 1512.5 | 1400.8 | 1196.5 | 1159.5 | 2 | |
| 序號 | 物料編號 | 名稱 | 數量 | 長度 | 備註 | 模號 |
| 1 | J837-FC-VAL7 | 鋁角加工圖 | 2 | 1196.5 | 廠裝 | CA0000322 |
| 2 | J837-FC-VAL6 | 鋁角加工圖 | 2 | 1196.5 | 廠裝 | CA0000322 |
| 3 | J837-FC-HAL61G | 百葉片加工圖 | 28 | 1506.5 | 廠裝 | X85618 |
| 4 | J837-FC-HAL61A | 鋁角加工圖 | 2 | 1504.5 | 廠裝 | PE0E10034 |
| 5 | 1400.8 x 1159.5 | 雀仔網 | 2 | | 廠裝 | |
| 6 | J837-FC-BB61 | 背板加工圖 | 2 | 1400.8 | 廠裝 | 3mm鋁板 |

| 百葉玉編號 | 百葉玉長度L | 鋁板長度L1 | 百葉玉高度H | 鋁板高度H1 | 數量 | |
|---------------|---------------------|--------|--------|--------|----|-----------|
| J837-FC-BYY62 | 1285 | 1173.3 | 1196.5 | 1159.5 | 1 | |
| 序號 | 物料編號 | 名稱 | 數量 | 長度 | 備註 | 模號 |
| 1 | J837-FC-VAL7 | 鋁角加工圖 | 1 | 1196.5 | 廠裝 | CA0000322 |
| 2 | J837-FC-VAL6 | 鋁角加工圖 | 1 | 1196.5 | 廠裝 | CA0000322 |
| 3 | J837-FC-HAL62G | 百葉片加工圖 | 14 | 1279 | 廠裝 | X85618 |
| 4 | J837-FC-HAL62A | 鋁角加工圖 | 1 | 1277 | 廠裝 | PE0E10034 |
| 5 | 1173.3 x 1159.5 | 雀仔網 | 1 | | 廠裝 | |
| 6 | J837-FC-BB62 | 背板加工圖 | 1 | 1173.3 | 廠裝 | 3mm鋁板 |

| 百葉玉編號 | 百葉玉長度L | 鋁板長度L1 | 百葉玉高度H | 鋁板高度H1 | 數量 | |
|---------------|---------------------|--------|--------|--------|----|-----------|
| J837-FC-BYY63 | 1247 | 1135.3 | 1196.5 | 1159.5 | 1 | |
| 序號 | 物料編號 | 名稱 | 數量 | 長度 | 備註 | 模號 |
| 1 | J837-FC-VAL7 | 鋁角加工圖 | 1 | 1196.5 | 廠裝 | CA0000322 |
| 2 | J837-FC-VAL6 | 鋁角加工圖 | 1 | 1196.5 | 廠裝 | CA0000322 |
| 3 | J837-FC-HAL63G | 百葉片加工圖 | 14 | 1241 | 廠裝 | X85618 |
| 4 | J837-FC-HAL63A | 鋁角加工圖 | 1 | 1239 | 廠裝 | PE0E10034 |
| 5 | 1135.3 x 1159.5 | 雀仔網 | 1 | | 廠裝 | |
| 6 | J837-FC-BB63 | 背板加工圖 | 1 | 1135.3 | 廠裝 | 3mm鋁板 |

| 百葉玉編號 | 百葉玉長度L | 鋁板長度L1 | 百葉玉高度H | 鋁板高度H1 | 數量 | |
|---------------|---------------------|--------|--------|--------|----|-----------|
| J837-FC-BYY64 | 1627 | 1515.3 | 1196.5 | 1159.5 | 1 | |
| 序號 | 物料編號 | 名稱 | 數量 | 長度 | 備註 | 模號 |
| 1 | J837-FC-VAL7 | 鋁角加工圖 | 1 | 1196.5 | 廠裝 | CA0000322 |
| 2 | J837-FC-VAL6 | 鋁角加工圖 | 1 | 1196.5 | 廠裝 | CA0000322 |
| 3 | J837-FC-HAL64G | 百葉片加工圖 | 14 | 1621 | 廠裝 | X85618 |
| 4 | J837-FC-HAL64A | 鋁角加工圖 | 1 | 1619 | 廠裝 | PE0E10034 |
| 5 | 1515.3 x 1159.5 | 雀仔網 | 1 | | 廠裝 | |
| 6 | J837-FC-BB64 | 背板加工圖 | 1 | 1515.3 | 廠裝 | 3mm鋁板 |

| 百葉玉編號 | 百葉玉長度L | 鋁板長度L1 | 百葉玉高度H | 鋁板高度H1 | 數量 | |
|---------------|---------------------|--------|--------|--------|----|-----------|
| J837-FC-BYY66 | 1211 | 1099.3 | 1196.5 | 1159.5 | 1 | |
| 序號 | 物料編號 | 名稱 | 數量 | 長度 | 備註 | 模號 |
| 1 | J837-FC-VAL7 | 鋁角加工圖 | 1 | 1196.5 | 廠裝 | CA0000322 |
| 2 | J837-FC-VAL6 | 鋁角加工圖 | 1 | 1196.5 | 廠裝 | CA0000322 |
| 3 | J837-FC-HAL66G | 百葉片加工圖 | 14 | 1205 | 廠裝 | X85618 |
| 4 | J837-FC-HAL66A | 鋁角加工圖 | 1 | 1203 | 廠裝 | PE0E10034 |
| 5 | 1099.3 x 1159.5 | 雀仔網 | 1 | | 廠裝 | |
| 6 | J837-FC-BB66 | 背板加工圖 | 1 | 1099.3 | 廠裝 | 3mm鋁板 |

| 百葉玉編號 | 百葉玉長度L | 鋁板長度L1 | 百葉玉高度H | 鋁板高度H1 | 數量 | |
|---------------|---------------------|--------|--------|--------|----|-----------|
| J837-FC-BYY67 | 1228 | 1116.3 | 1196.5 | 1159.5 | 1 | |
| 序號 | 物料編號 | 名稱 | 數量 | 長度 | 備註 | 模號 |
| 1 | J837-FC-VAL7 | 鋁角加工圖 | 1 | 1196.5 | 廠裝 | CA0000322 |
| 2 | J837-FC-VAL6 | 鋁角加工圖 | 1 | 1196.5 | 廠裝 | CA0000322 |
| 3 | J837-FC-HAL67G | 百葉片加工圖 | 14 | 1222 | 廠裝 | X85618 |
| 4 | J837-FC-HAL67A | 鋁角加工圖 | 1 | 1220 | 廠裝 | PE0E10034 |
| 5 | 1116.3 x 1159.5 | 雀仔網 | 1 | | 廠裝 | |
| 6 | J837-FC-BB67 | 背板加工圖 | 1 | 1116.3 | 廠裝 | 3mm鋁板 |

| | | | | | | | |
|----|-----|----|-----|-----------|----|-----------------|--|
| 名稱 | 數據表 | 制圖 | 吳禕瑜 | 2019.5.07 | 修改 | | |
| 材料 | - | 復核 | | | 日期 | | |
| 顏色 | - | 批准 | | | 圖號 | J837-FC-BYY33-5 | |



工程號 J-837 地盤 觀塘

| 百葉玉編號 | | 百葉玉長度L | 鋁板長度L1 | 百葉玉高度H | 鋁板高度H1 | 數量 |
|---------------|-----------------|--------|--------|--------|--------|-----------|
| J837-FC-BYY68 | | 1261 | 1149.3 | 1196.5 | 1159.5 | 1 |
| 序號 | 物料編號 | 名稱 | 數量 | 長度 | 備註 | 模號 |
| 1 | J837-FC-VAL7 | 鋁角加工圖 | 1 | 1196.5 | 廠裝 | CA0000322 |
| 2 | J837-FC-VAL6 | 鋁角加工圖 | 1 | 1196.5 | 廠裝 | CA0000322 |
| 3 | J837-FC-HAL68G | 百葉片加工圖 | 14 | 1255 | 廠裝 | X85618 |
| 4 | J837-FC-HAL68A | 鋁角加工圖 | 1 | 1253 | 廠裝 | PE0E10034 |
| 5 | 1149.3 x 1159.5 | 雀仔網 | 1 | | 廠裝 | |
| 6 | J837-FC-BB68 | 背板加工圖 | 1 | 1149.3 | 廠裝 | 3mm鋁板 |

| 百葉玉編號 | | 百葉玉長度L | 鋁板長度L1 | 百葉玉高度H | 鋁板高度H1 | 數量 |
|---------------|-----------------|--------|--------|--------|--------|-----------|
| J837-FC-BYY69 | | 1754 | 1642.3 | 1196.5 | 1159.5 | 2 |
| 序號 | 物料編號 | 名稱 | 數量 | 長度 | 備註 | 模號 |
| 1 | J837-FC-VAL7 | 鋁角加工圖 | 2 | 1196.5 | 廠裝 | CA0000322 |
| 2 | J837-FC-VAL6 | 鋁角加工圖 | 2 | 1196.5 | 廠裝 | CA0000322 |
| 3 | J837-FC-HAL69G | 百葉片加工圖 | 28 | 1748 | 廠裝 | X85618 |
| 4 | J837-FC-HAL69A | 鋁角加工圖 | 2 | 1746 | 廠裝 | PE0E10034 |
| 5 | 1642.3 x 1159.5 | 雀仔網 | 2 | | 廠裝 | |
| 6 | J837-FC-BB69 | 背板加工圖 | 2 | 1642.3 | 廠裝 | 3mm鋁板 |

| 百葉玉編號 | | 百葉玉長度L | 鋁板長度L1 | 百葉玉高度H | 鋁板高度H1 | 數量 |
|---------------|-----------------|--------|--------|--------|--------|-----------|
| J837-FC-BYY70 | | 1362 | 1250.3 | 1196.5 | 1159.5 | 1 |
| 序號 | 物料編號 | 名稱 | 數量 | 長度 | 備註 | 模號 |
| 1 | J837-FC-VAL7 | 鋁角加工圖 | 1 | 1196.5 | 廠裝 | CA0000322 |
| 2 | J837-FC-VAL6 | 鋁角加工圖 | 1 | 1196.5 | 廠裝 | CA0000322 |
| 3 | J837-FC-HAL70G | 百葉片加工圖 | 14 | 1356 | 廠裝 | X85618 |
| 4 | J837-FC-HAL70A | 鋁角加工圖 | 1 | 1354 | 廠裝 | PE0E10034 |
| 5 | 1250.3 x 1159.5 | 雀仔網 | 1 | | 廠裝 | |
| 6 | J837-FC-BB70 | 背板加工圖 | 1 | 1250.3 | 廠裝 | 3mm鋁板 |

| 百葉玉編號 | | 百葉玉長度L | 鋁板長度L1 | 百葉玉高度H | 鋁板高度H1 | 數量 |
|---------------|-----------------|--------|--------|--------|--------|-----------|
| J837-FC-BYY72 | | 1991 | 1879.3 | 1196.5 | 1159.5 | 1 |
| 序號 | 物料編號 | 名稱 | 數量 | 長度 | 備註 | 模號 |
| 1 | J837-FC-VAL7 | 鋁角加工圖 | 1 | 1196.5 | 廠裝 | CA0000322 |
| 2 | J837-FC-VAL6 | 鋁角加工圖 | 1 | 1196.5 | 廠裝 | CA0000322 |
| 3 | J837-FC-HAL72G | 百葉片加工圖 | 14 | 1985 | 廠裝 | X85618 |
| 4 | J837-FC-HAL72A | 鋁角加工圖 | 1 | 1983 | 廠裝 | PE0E10034 |
| 5 | 1879.3 x 1159.5 | 雀仔網 | 1 | | 廠裝 | |
| 6 | J837-FC-BB72 | 背板加工圖 | 1 | 1879.3 | 廠裝 | 3mm鋁板 |

| 百葉玉編號 | | 百葉玉長度L | 鋁板長度L1 | 百葉玉高度H | 鋁板高度H1 | 數量 |
|---------------|-----------------|--------|--------|--------|--------|-----------|
| J837-FC-BYY85 | | 1411 | 1299.3 | 1196.5 | 1159.5 | 6 |
| 序號 | 物料編號 | 名稱 | 數量 | 長度 | 備註 | 模號 |
| 1 | J837-FC-VAL7 | 鋁角加工圖 | 6 | 1196.5 | 廠裝 | CA0000322 |
| 2 | J837-FC-VAL6 | 鋁角加工圖 | 6 | 1196.5 | 廠裝 | CA0000322 |
| 3 | J837-FC-HAL85G | 百葉片加工圖 | 84 | 1405 | 廠裝 | X85618 |
| 4 | J837-FC-HAL85A | 鋁角加工圖 | 6 | 1403 | 廠裝 | PE0E10034 |
| 5 | 1299.3 x 1159.5 | 雀仔網 | 6 | | 廠裝 | |
| 6 | J837-FC-BB85 | 背板加工圖 | 6 | 1299.3 | 廠裝 | 3mm鋁板 |

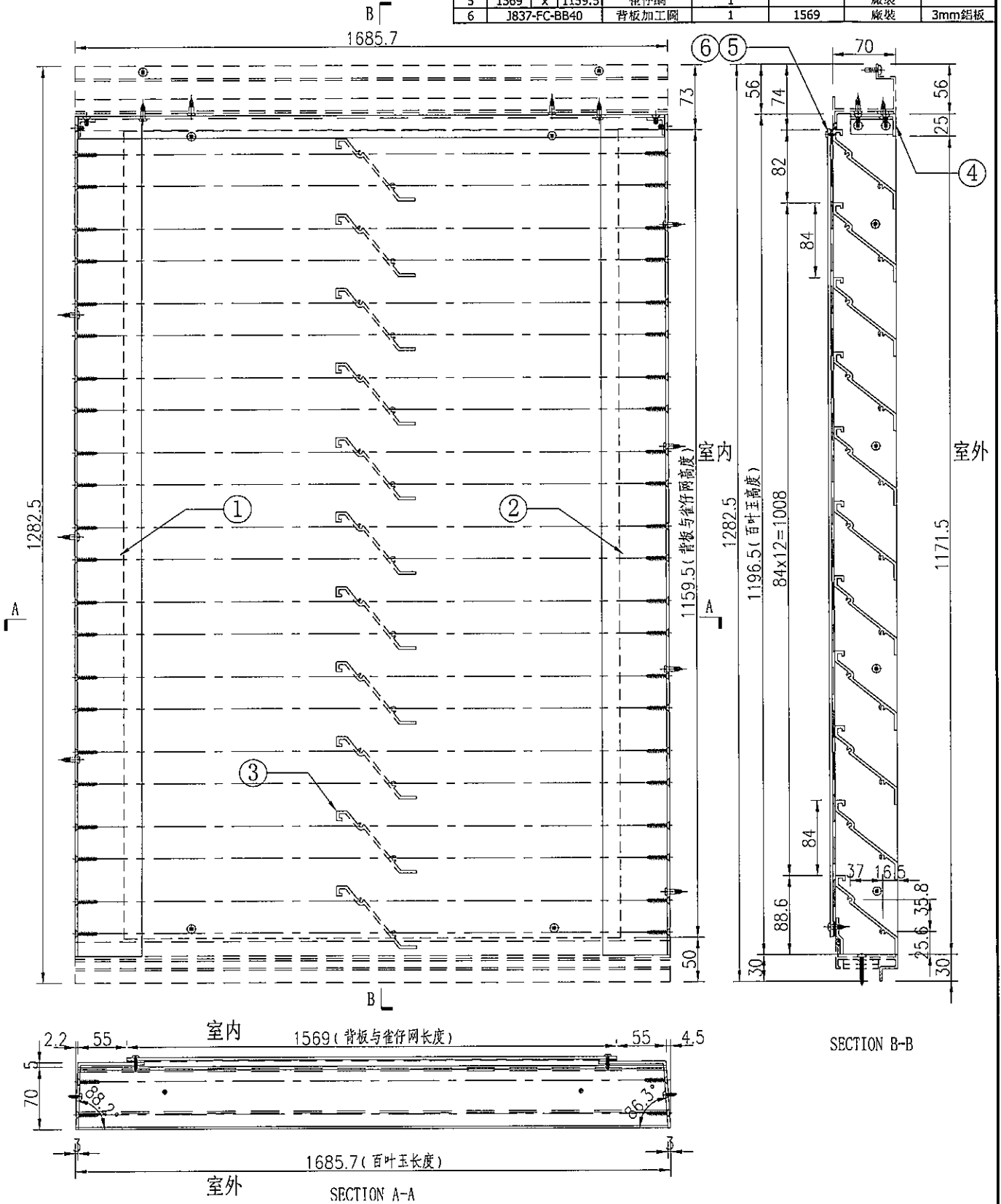
| | | | | | | | |
|----|-----|----|-----|-----------|----|-----------------|--|
| 名稱 | 數據表 | 制圖 | 吳禕瑜 | 2019.5.07 | 修改 | | |
| 材料 | - | 復核 | | | 日期 | | |
| 顏色 | - | 批准 | | | 圖號 | J837-FC-BYY33-6 | |



美特鋁質 有限公司
MIDI Aluminium Fabricator Ltd.

工程號 J-837 地盤 觀塘

| 百葉玉編號 | 百葉玉長度L | 鋁板長度L1 | 百葉玉高度H | 鋁板高度H1 | 數量 | |
|---------------|----------------|--------|--------|--------|----|-----------|
| J837-FC-BYY40 | 1685.7 | 1569 | 1196.5 | 1159.5 | 1 | |
| 序號 | 物料編號 | 名稱 | 數量 | 長度 | 備註 | 模號 |
| 1 | J837-FC-VLB1 | 鋁板加工圓 | 1 | 1196.5 | 廠裝 | CA0000322 |
| 2 | J837-FC-VLB2 | 鋁板加工圓 | 1 | 1196.5 | 廠裝 | CA0000322 |
| 3 | J837-FC-HAL40G | 百葉片加工圓 | 14 | 1679.7 | 廠裝 | X85618 |
| 4 | J837-FC-HAL40A | 鋁角加工圓 | 1 | 1677.7 | 廠裝 | PE0E10034 |
| 5 | 1569 x 1159.5 | 雀仔網 | 1 | | 廠裝 | |
| 6 | J837-FC-BB40 | 背板加工圓 | 1 | 1569 | 廠裝 | 3mm鋁板 |



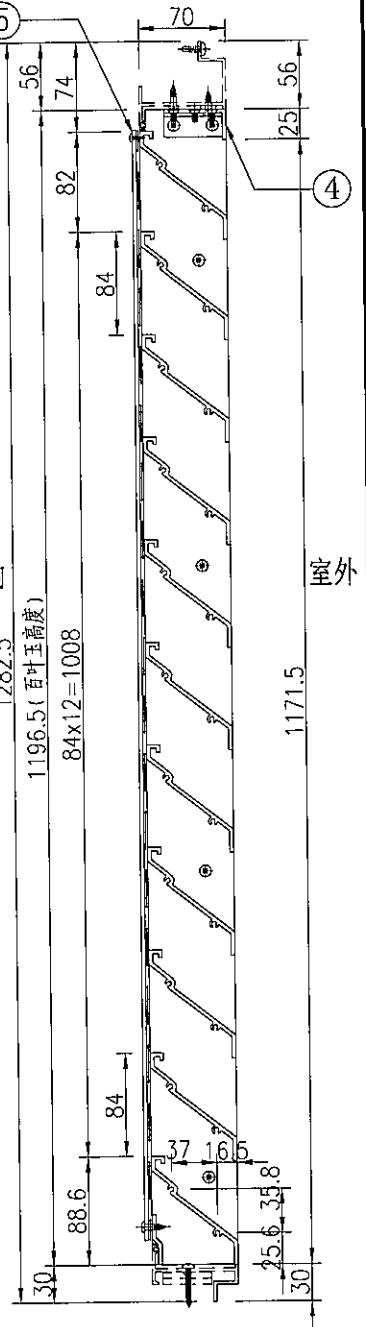
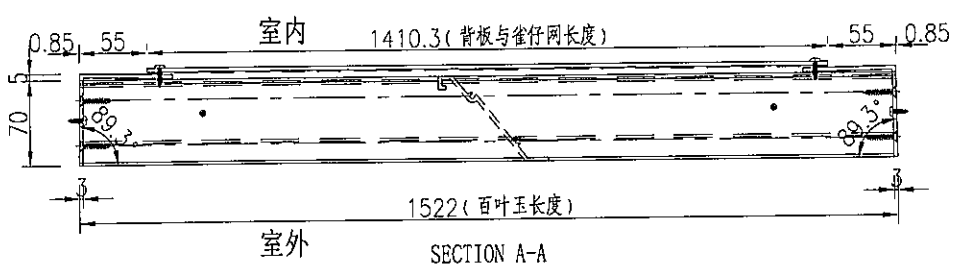
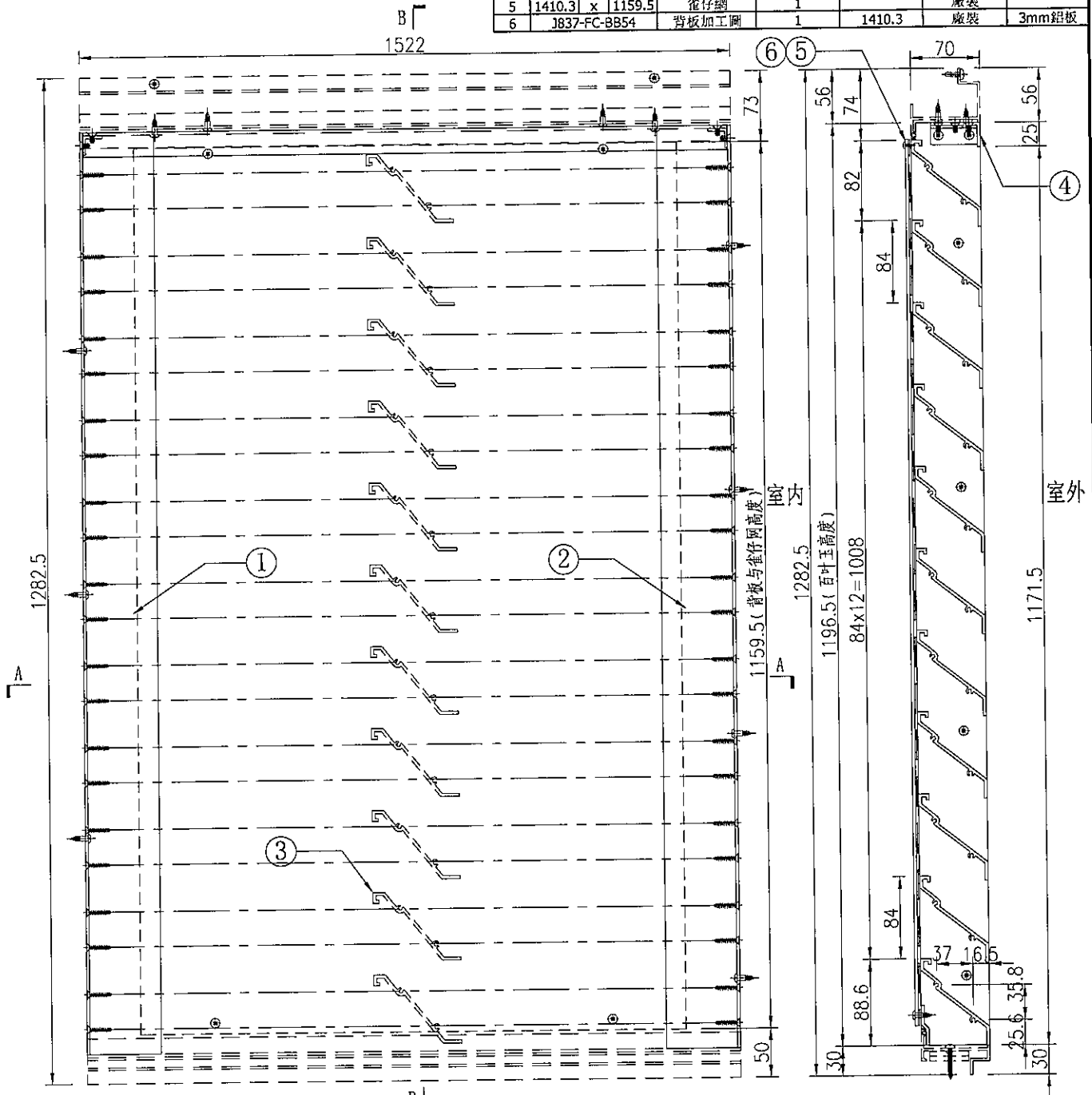
| | | | | | | |
|----|--------|----|-----|-----------|----|---------------|
| 名稱 | 百葉玉組裝圖 | 制圖 | 吳禱瑜 | 2019.5.07 | 修改 | |
| 材料 | - | 復核 | | | 日期 | |
| 顏色 | - | 批准 | | | 圖號 | J837-FC-BYY40 |



美特鋁質 有限公司
MIDI Aluminium Fabricator Ltd.

工程號 J-837 地盤 觀塘

| 百葉玉編號 | 百葉玉長度L | 鋁板長度L1 | 百葉玉高度H | 鋁板高度H1 | 數量 | |
|---------------|-----------------|--------|--------|--------|----|-----------|
| J837-FC-BYY54 | 1522 | 1410.3 | 1196.5 | 1159.5 | 1 | |
| 序號 | 物料編號 | 名稱 | 數量 | 長度 | 備註 | 模號 |
| 1 | J837-FC-VAL7 | 鋁角加工圓 | 1 | 1196.5 | 廠裝 | CA0000322 |
| 2 | J837-FC-VAL6 | 鋁角加工圓 | 1 | 1196.5 | 廠裝 | CA0000322 |
| 3 | J837-FC-HAL54G | 百葉片加工圓 | 14 | 1516 | 廠裝 | X85618 |
| 4 | J837-FC-HAL54A | 鋁角加工圓 | 1 | 1514 | 廠裝 | PE0E10034 |
| 5 | 1410.3 x 1159.5 | 雀仔網 | 1 | | 廠裝 | |
| 6 | J837-FC-8B54 | 背板加工圓 | 1 | 1410.3 | 廠裝 | 3mm鋁板 |



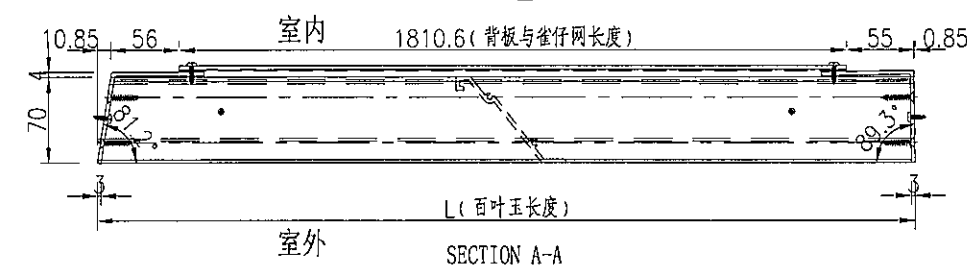
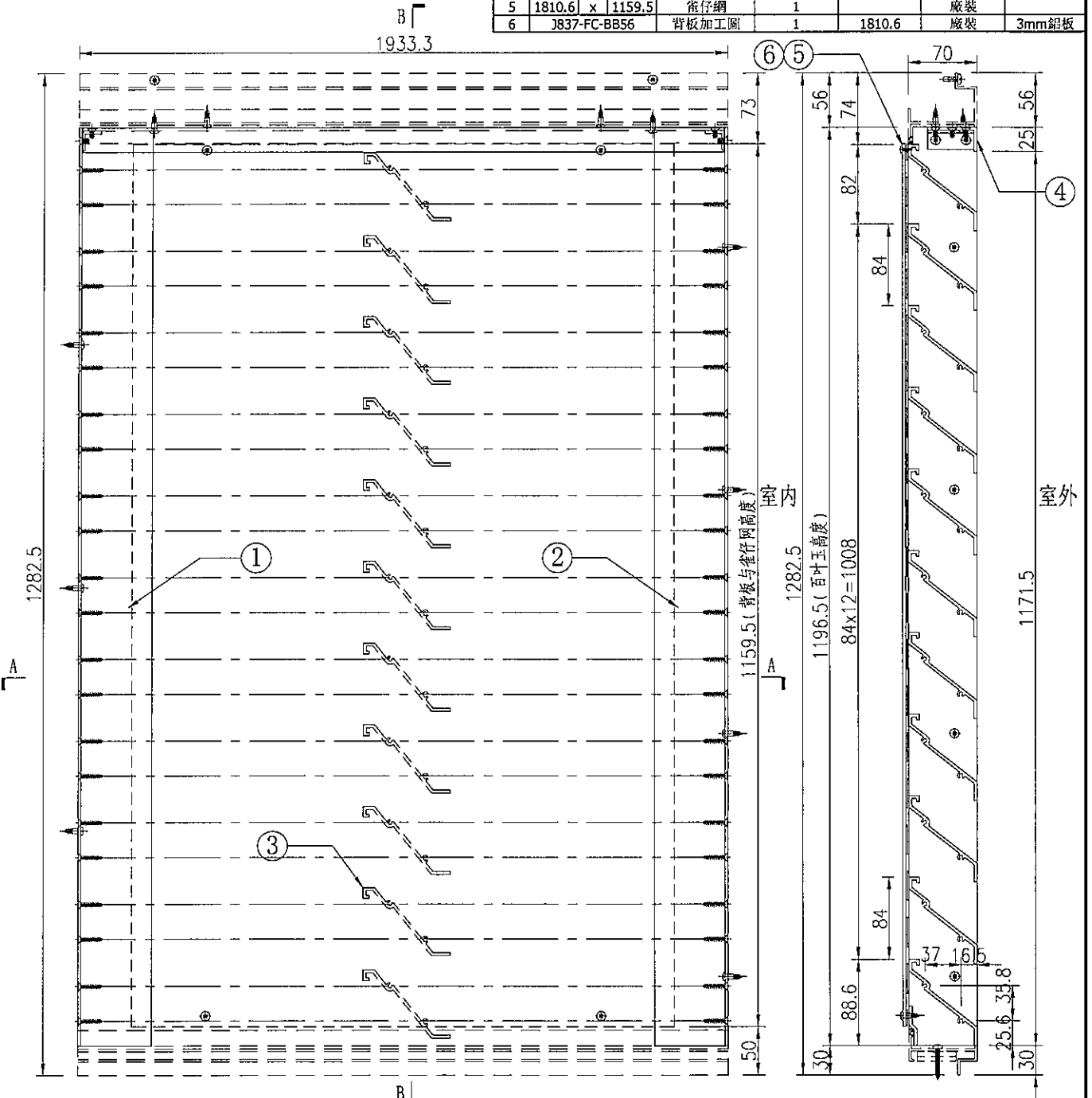
| | | | | | | | |
|----|--------|----|-----|-----------|----|---------------|--|
| 名稱 | 百葉玉組裝圖 | 制圖 | 吳禱瑜 | 2019.5.07 | 修改 | | |
| 材料 | - | 復核 | | | 日期 | | |
| 顏色 | - | 批准 | | | 圖號 | J837-FC-BYY54 | |



美特鋁質 有限公司
MIDI Aluminium Fabricator Ltd.

| 百葉玉編號 | 百葉玉長度L | 鋁板長度L1 | 百葉玉高度H | 鋁板高度H1 | 數量 | |
|---------------|-----------------|--------|--------|--------|----|-----------|
| J837-FC-BYY56 | 1933.3 | 1810.6 | 1196.5 | 1159.5 | 1 | |
| 序號 | 物料編號 | 名稱 | 數量 | 長度 | 備註 | 模號 |
| 1 | J837-FC-VLB3 | 鋁板加工圈 | 1 | 1196.5 | 廠裝 | CA0000322 |
| 2 | J837-FC-VAL6 | 鋁角加工圈 | 1 | 1196.5 | 廠裝 | CA0000322 |
| 3 | J837-FC-HAL56G | 百葉片加工圈 | 14 | 1927.3 | 廠裝 | X85618 |
| 4 | J837-FC-HAL56A | 鋁角加工圈 | 1 | 1925.3 | 廠裝 | PE0E10034 |
| 5 | 1810.6 x 1159.5 | 雀仔網 | 1 | | 廠裝 | |
| 6 | J837-FC-BB56 | 背板加工圈 | 1 | 1810.6 | 廠裝 | 3mm鋁板 |

工程號 J-837 地盤 觀塘



SECTION B-B

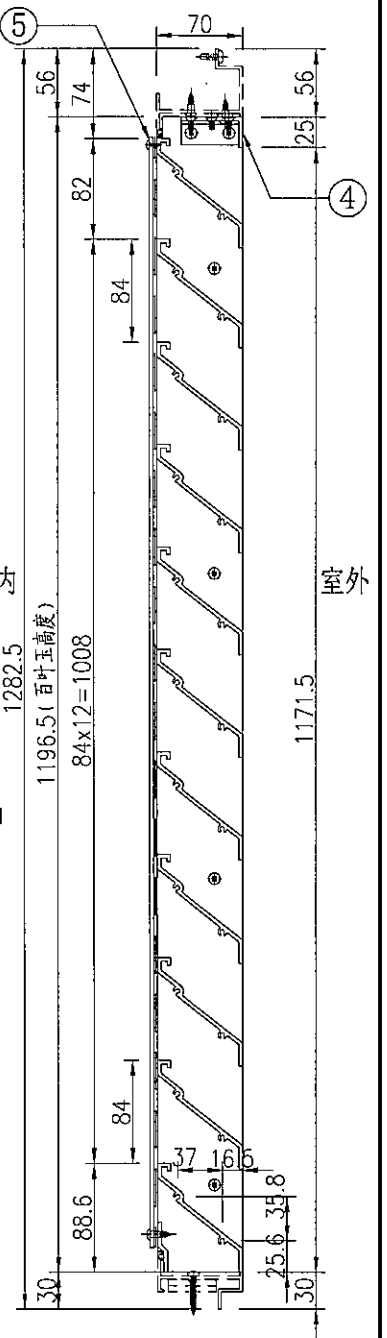
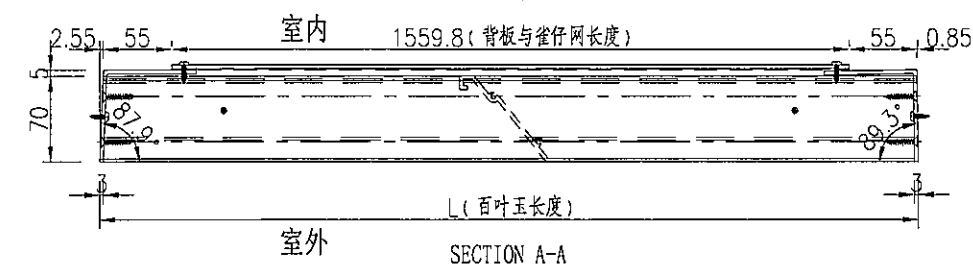
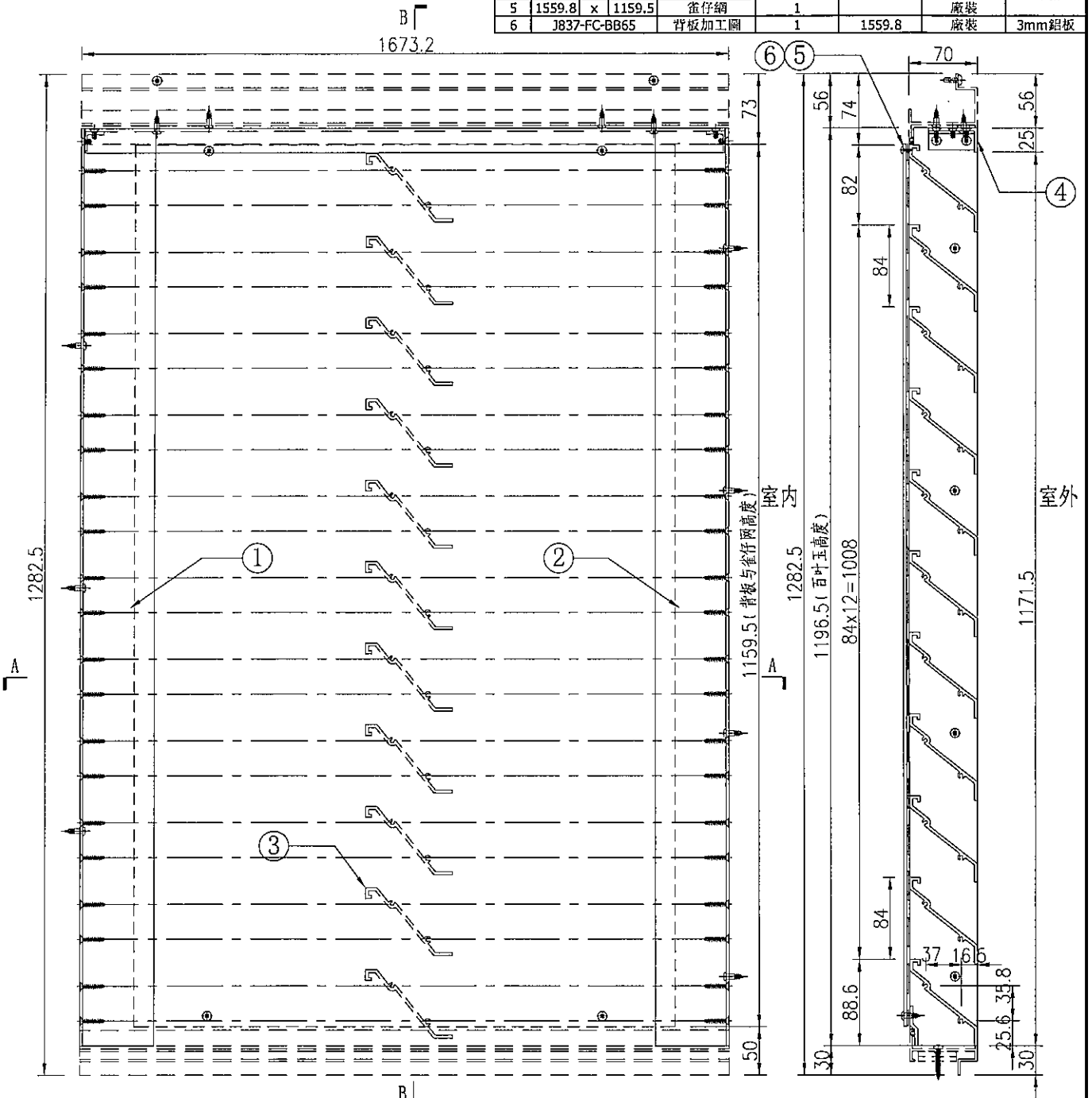
| | | | | | | | |
|----|--------|----|-----|-----------|----|---------------|--|
| 名稱 | 百葉玉組裝圖 | 制圖 | 吳禱瑜 | 2019.5.07 | 修改 | | |
| 材料 | - | 復核 | | | 日期 | | |
| 顏色 | - | 批准 | | | 圖號 | J837-FC-BYY56 | |



美特鋁質 有限公司
MIDI Aluminium Fabricator Ltd.

| 百葉玉編號 | 百葉玉長度L | 鋁板長度L1 | 百葉玉高度H | 鋁板高度H1 | 數量 | |
|---------------|-----------------|--------|--------|--------|----|-----------|
| J837-FC-BYY65 | 1673.2 | 1559.8 | 1196.5 | 1159.5 | 1 | |
| 序號 | 物料編號 | 名稱 | 數量 | 長度 | 備註 | 模號 |
| 1 | J837-FC-VLB4 | 鋁板加工圈 | 1 | 1196.5 | 廠裝 | CA0000322 |
| 2 | J837-FC-VAL6 | 鋁角加工圈 | 1 | 1196.5 | 廠裝 | CA0000322 |
| 3 | J837-FC-HAL65G | 百葉片加工圈 | 14 | 1667.2 | 廠裝 | X85618 |
| 4 | J837-FC-HAL65A | 鋁角加工圈 | 1 | 1665.2 | 廠裝 | PE0E10034 |
| 5 | 1559.8 x 1159.5 | 雀仔網 | 1 | | 廠裝 | |
| 6 | J837-FC-BB65 | 背板加工圈 | 1 | 1559.8 | 廠裝 | 3mm鋁板 |

工程號 J-837 地盤 觀塘



| | | | | | | | |
|----|--------|----|-----|-----------|----|---------------|--|
| 名稱 | 百葉玉組裝圖 | 制圖 | 吳禕瑜 | 2019.5.07 | 修改 | | |
| 材料 | - | 復核 | | | 日期 | | |
| 顏色 | - | 批准 | | | 圖號 | J837-FC-BYY65 | |

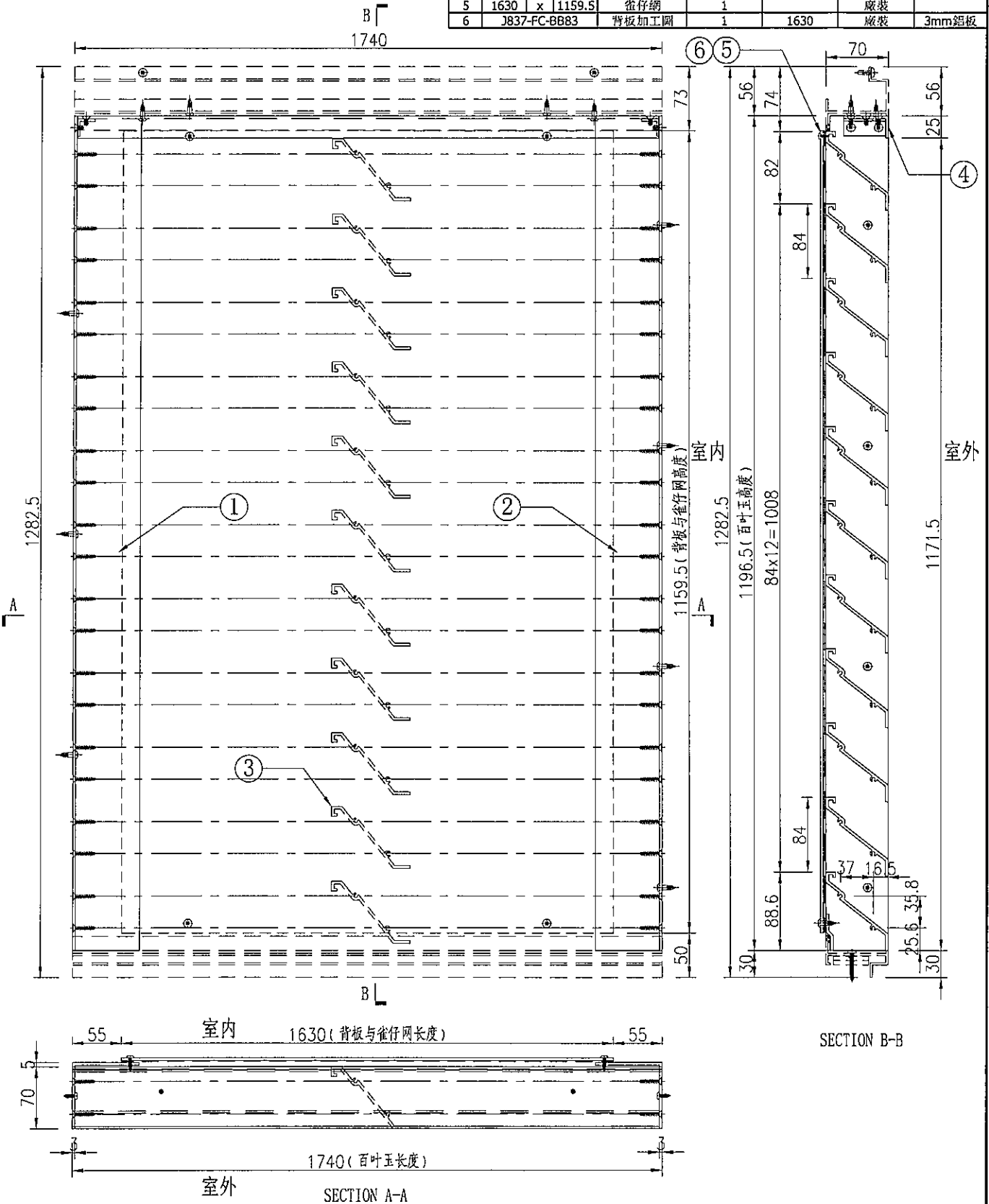
EG-DWG3



美特鋁質 有限公司
MIDI Aluminium Fabricator Ltd.

| 百葉玉編號 | 百葉玉長度L | 鋁板長度L1 | 百葉玉高度H | 鋁板高度H1 | 數量 | |
|---------------|----------------|--------|--------|--------|----|-----------|
| J837-FC-BYY83 | 1740 | 1630 | 1196.5 | 1159.5 | 1 | |
| 序號 | 物料編號 | 名稱 | 數量 | 長度 | 備註 | 模號 |
| 1 | J837-FC-VAL7 | 鋁角加工圈 | 1 | 1196.5 | 廠裝 | CA0000322 |
| 2 | J837-FC-VAL6 | 鋁角加工圈 | 1 | 1196.5 | 廠裝 | CA0000322 |
| 3 | J837-FC-HAL83G | 百葉片加工圈 | 14 | 1734 | 廠裝 | X85618 |
| 4 | J837-FC-HAL83A | 鋁角加工圈 | 1 | 1732 | 廠裝 | PEOE10034 |
| 5 | 1630 x 1159.5 | 雀仔網 | 1 | | 廠裝 | |
| 6 | J837-FC-BB83 | 背板加工圈 | 1 | 1630 | 廠裝 | 3mm鋁板 |

工程號 J-837 地盤 觀塘



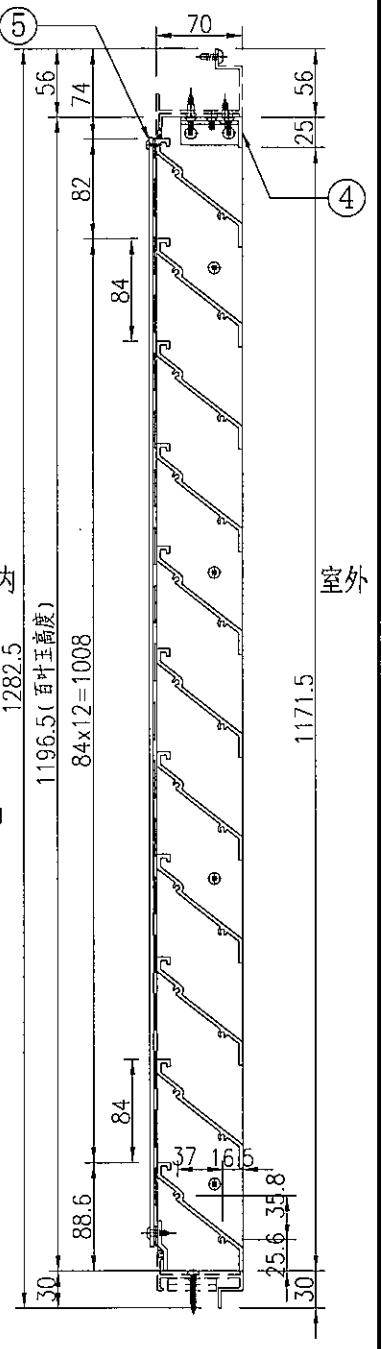
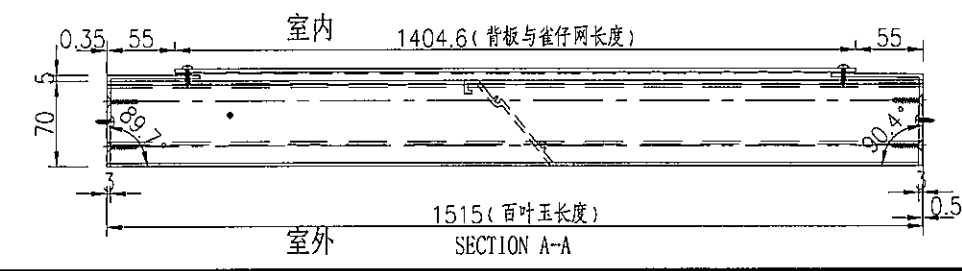
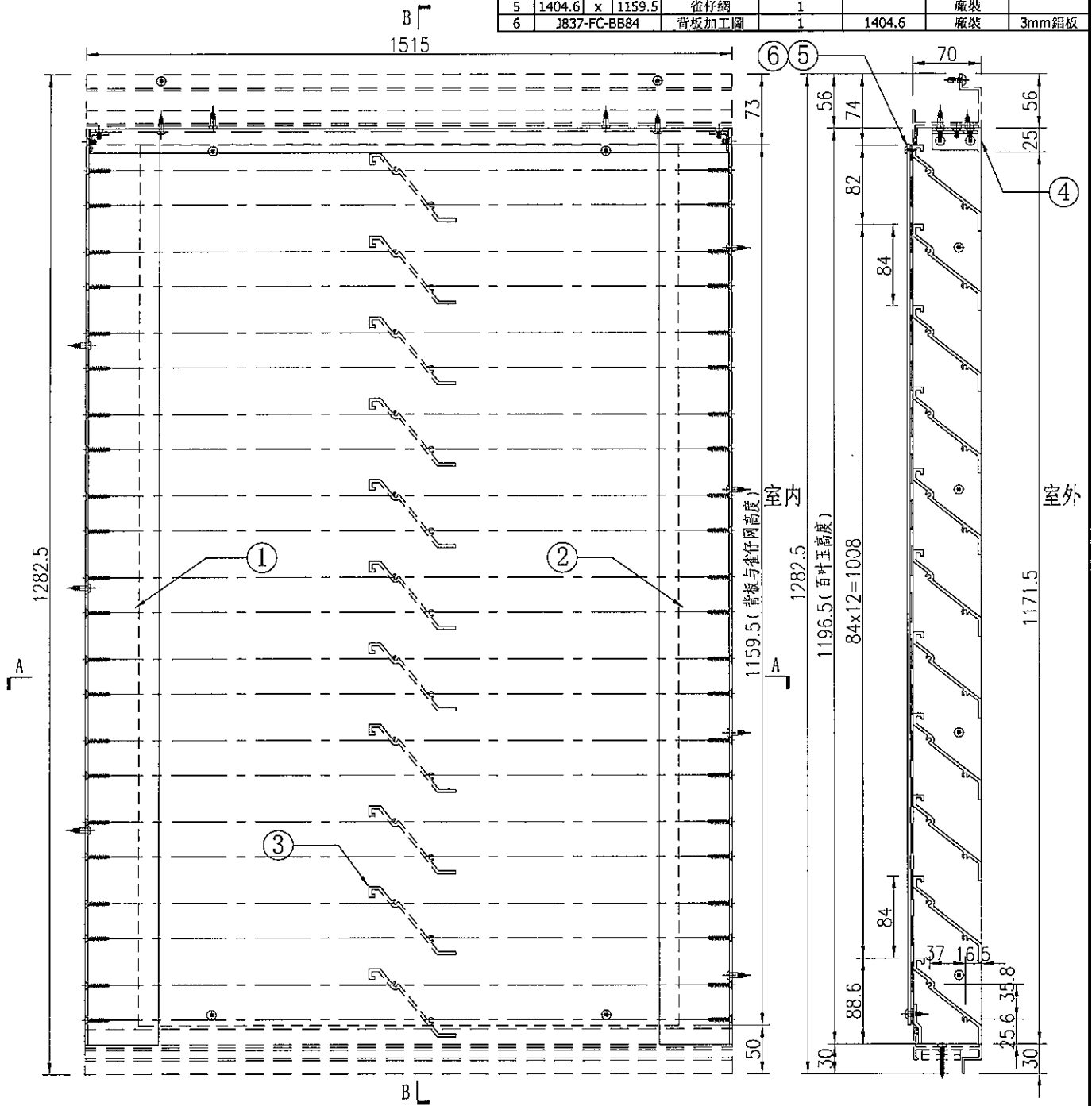
| | | | | | | | |
|----|--------|----|-----|-----------|----|---------------|--|
| 名稱 | 百葉玉組裝圖 | 制圖 | 吳禕瑜 | 2019.5.07 | 修改 | | |
| 材料 | - | 復核 | | | 日期 | | |
| 顏色 | - | 批准 | | | 圖號 | J837-FC-BYY83 | |



美特鋁質 有限公司
MIDI Aluminium Fabricator Ltd.

工程號 J-837 地盤 觀塘

| 百葉玉編號 | 百葉玉長度L | 鋁板長度L1 | 百葉玉高度H | 鋁板高度H1 | 數量 | |
|---------------|-----------------|--------|--------|--------|----|-----------|
| J837-FC-BYY84 | 1515 | 1404.6 | 1196.5 | 1159.5 | 1 | |
| 序號 | 物料編號 | 名稱 | 數量 | 長度 | 備註 | 樓號 |
| 1 | J837-FC-VAL7 | 鋁角加工圓 | 1 | 1196.5 | 廠裝 | CA0000322 |
| 2 | J837-FC-VAL6 | 鋁角加工圓 | 1 | 1196.5 | 廠裝 | CA0000322 |
| 3 | J837-FC-HALB4G | 百葉片加工圓 | 14 | 1509 | 廠裝 | X85618 |
| 4 | J837-FC-HALB4A | 鋁角加工圓 | 1 | 1507 | 廠裝 | PE0E10034 |
| 5 | 1404.6 x 1159.5 | 雀仔網 | 1 | | 廠裝 | |
| 6 | J837-FC-BB84 | 背板加工圓 | 1 | 1404.6 | 廠裝 | 3mm鋁板 |



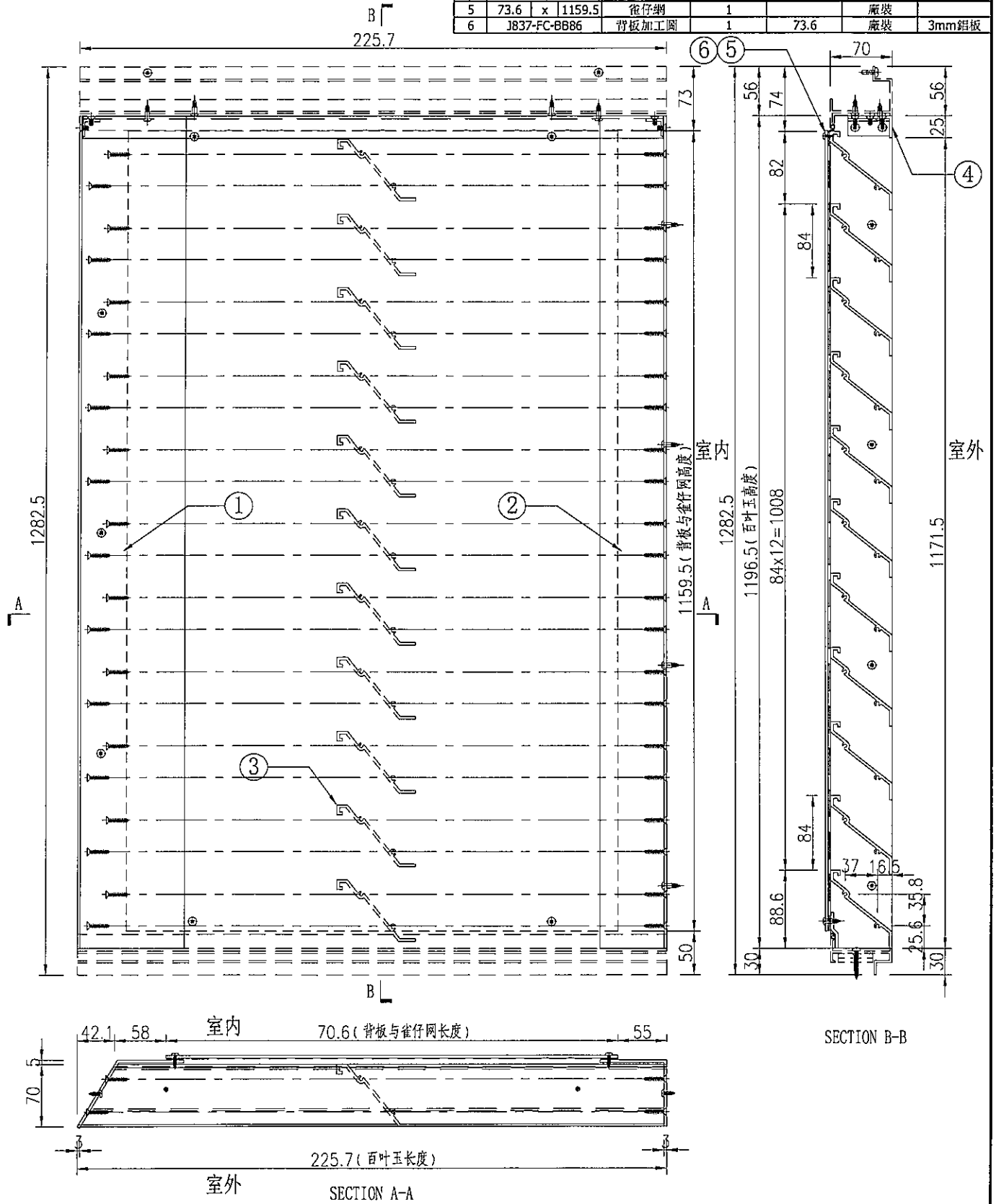
| | | | | | | | |
|----|--------|----|-----|-----------|----|---------------|--|
| 名稱 | 百葉玉組裝圖 | 制圖 | 吳禕瑜 | 2019.5.07 | 修改 | | |
| 材料 | - | 復核 | | | 日期 | | |
| 顏色 | - | 批准 | | | 圖號 | J837-FC-BYY84 | |



美特鋁質 有限公司
MIDI Aluminium Fabricator Ltd.

| 百葉玉編號 | 百葉玉長度L | 鋁板長度L1 | 百葉玉高度H | 鋁板高度H1 | 數量 | |
|---------------|----------------|--------|--------|--------|----|-----------|
| J837-FC-BYY86 | 225.7 | 73.6 | 1196.5 | 1159.5 | 1 | |
| 序號 | 物料編號 | 名稱 | 數量 | 長度 | 備註 | 模號 |
| 1 | J837-FC-VAL7 | 鋁角加工圖 | 1 | 1196.5 | 廠裝 | CA0000322 |
| 2 | J837-FC-VAL6 | 鋁角加工圖 | 1 | 1196.5 | 廠裝 | CA0000322 |
| 3 | J837-FC-HAL86G | 百葉片加工圖 | 14 | 219.7 | 廠裝 | X85618 |
| 4 | J837-FC-HAL86A | 鋁角加工圖 | 1 | 217.7 | 廠裝 | PE0E10034 |
| 5 | 73.6 x 1159.5 | 雀仔網 | 1 | | | |
| 6 | J837-FC-BB86 | 背板加工圖 | 1 | 73.6 | 廠裝 | 3mm鋁板 |

工程號 J-837 地盤 觀塘



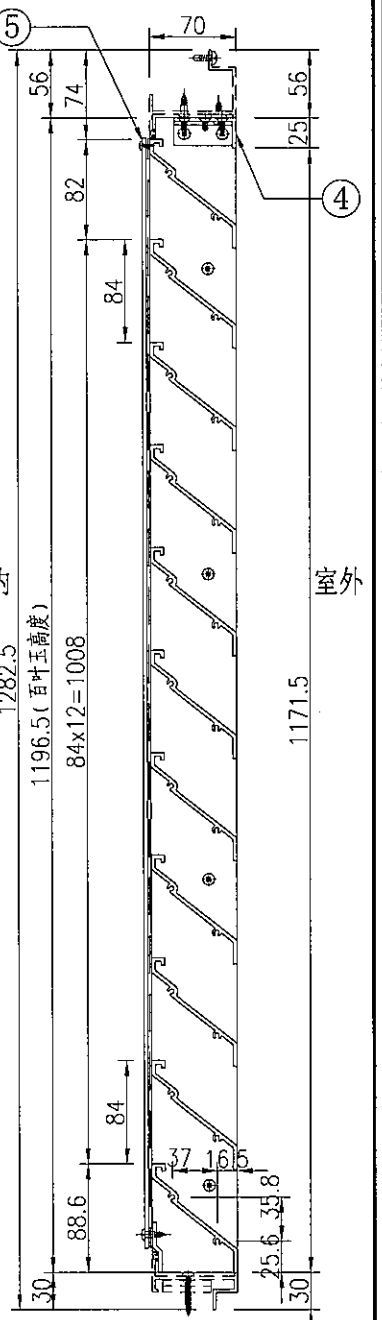
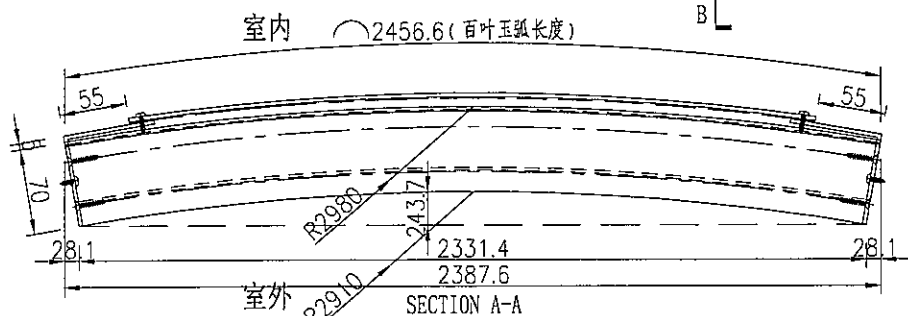
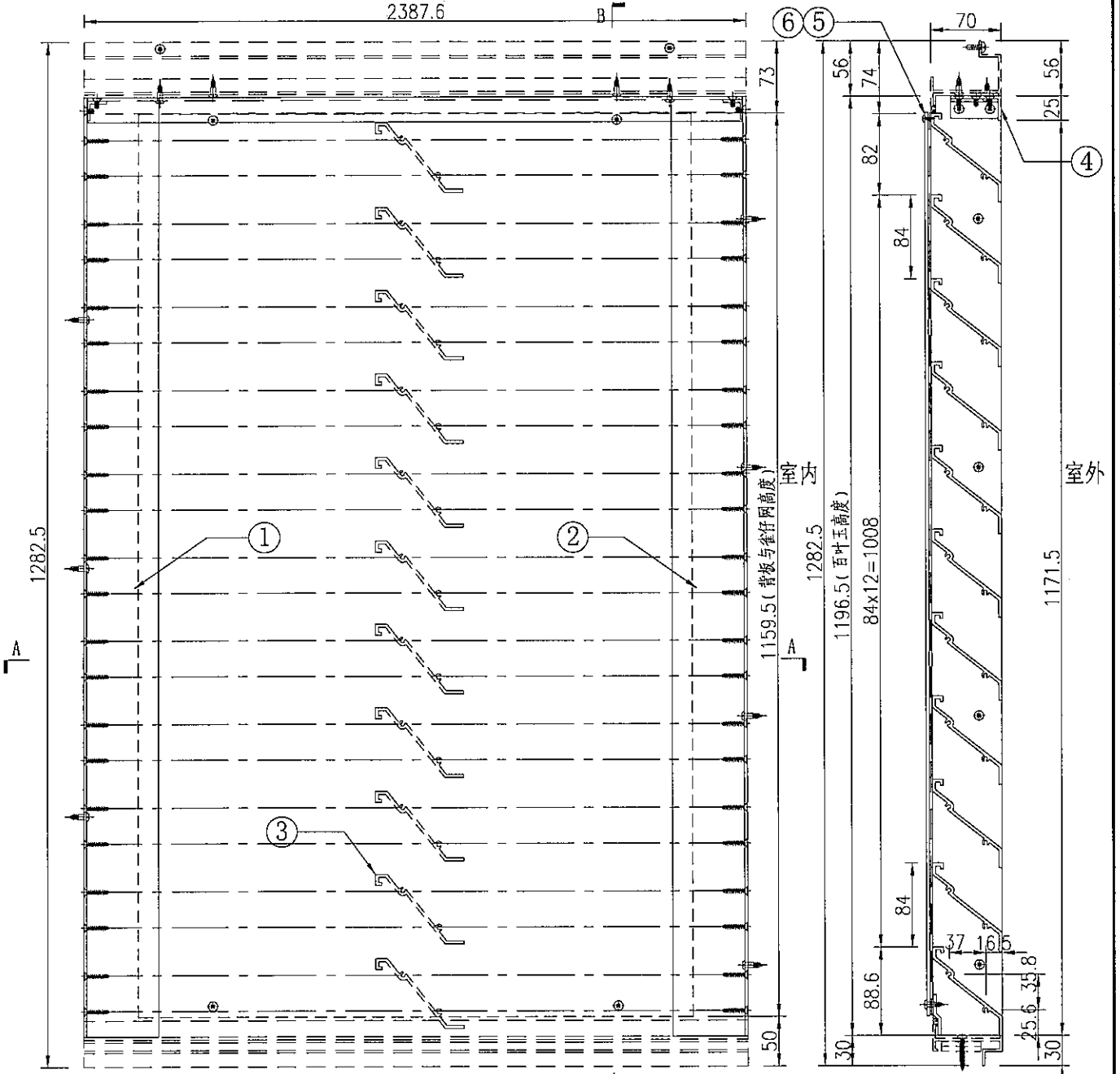
| | | | | | | | |
|----|--------|----|-----|-----------|----|---------------|--|
| 名稱 | 百葉玉組裝圖 | 制圖 | 吳禕瑜 | 2019.5.07 | 修改 | | |
| 材料 | - | 復核 | | | 日期 | | |
| 顏色 | - | 批准 | | | 圖號 | J837-FC-BYY86 | |



美特鋁質 有限公司
MIDI Aluminium Fabricator Ltd.

工程號 J-837 地盤 觀塘

| 百葉玉編號 | 百葉玉弧長度L | 鋁板弧長度L1 | 百葉玉高度H | 鋁板高度H1 | 數量 | |
|---------------|-----------------|---------|--------|--------|----|-----------|
| J837-FC-BYY23 | 2456.6 | 見加工圖 | 1196.5 | 1159.5 | 2 | |
| 序號 | 物料編號 | 名稱 | 數量 | 長度 | 備註 | 模號 |
| 1 | J837-FC-VAL7 | 鋁角加工圈 | 2 | 1196.5 | 廠裝 | CA0000322 |
| 2 | J837-FC-VAL6 | 鋁角加工圈 | 2 | 1196.5 | 廠裝 | CA0000322 |
| 3 | J837-FC-HAL23G | 百葉片加工圈 | 28 | 2450.6 | 廠裝 | X85618 |
| 4 | J837-FC-HAL23A | 鋁角加工圈 | 2 | 2432 | 廠裝 | PE0E10034 |
| 5 | 2346.6 x 1159.5 | 雀仔網 | 2 | | 廠裝 | |
| 6 | J837-FC-BB23 | 背板加工圈 | 2 | 見加工圖 | 廠裝 | 3mm鋁板 |



SECTION B-B

SECTION A-A

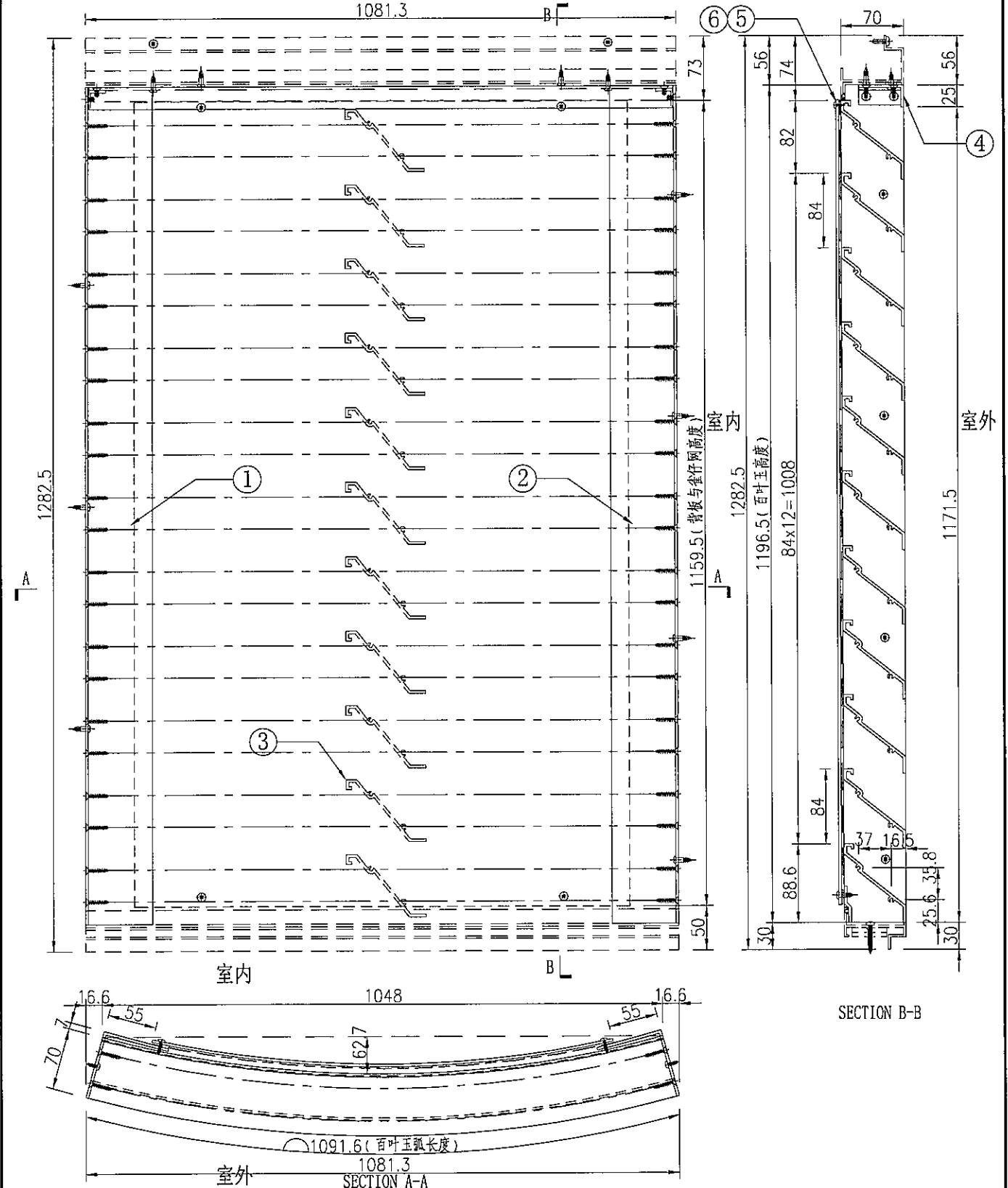
| | | | | | | |
|----|--------|----|-----|-----------|----|---------------|
| 名稱 | 百葉玉組裝圖 | 制圖 | 吳禱瑜 | 2019.5.07 | 修改 | |
| 材料 | - | 復核 | | | 日期 | |
| 顏色 | - | 批准 | | | 圖號 | J837-FC-BYY23 |



美特鋁質 有限公司
MIDI Aluminium Fabricator Ltd.

工程號 J-837 地盤 觀塘

| 百葉玉編號 | 百葉玉弧長度L | 鋁板弧長度L1 | 百葉玉高度H | 鋁板高度H1 | 數位 | |
|---------------|----------------|---------|--------|--------|----|-----------|
| J837-FC-BYY79 | 1091.6 | 見加工圖 | 1196.5 | 1159.5 | 3 | |
| 序號 | 物料編號 | 名稱 | 數量 | 長度 | 備註 | 模號 |
| 1 | J837-FC-VAL7 | 鋁角加工圖 | 3 | 1196.5 | 廠裝 | CA0000322 |
| 2 | J837-FC-VAL6 | 鋁角加工圖 | 3 | 1196.5 | 廠裝 | CA0000322 |
| 3 | J837-FC-HAL23G | 百葉片加工圖 | 42 | 1085.6 | 廠裝 | X85618 |
| 4 | J837-FC-HAL23A | 鋁角加工圖 | 3 | 1083.6 | 廠裝 | PE0E10034 |
| 5 | 981.6 x 1159.5 | 雀仔鋼 | 3 | | | |
| 6 | J837-FC-BB23 | 背板加工圖 | 3 | 見加工圖 | 廠裝 | 3mm鋁板 |



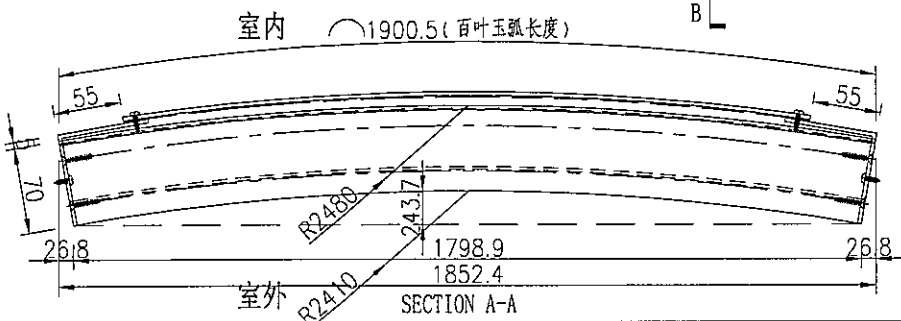
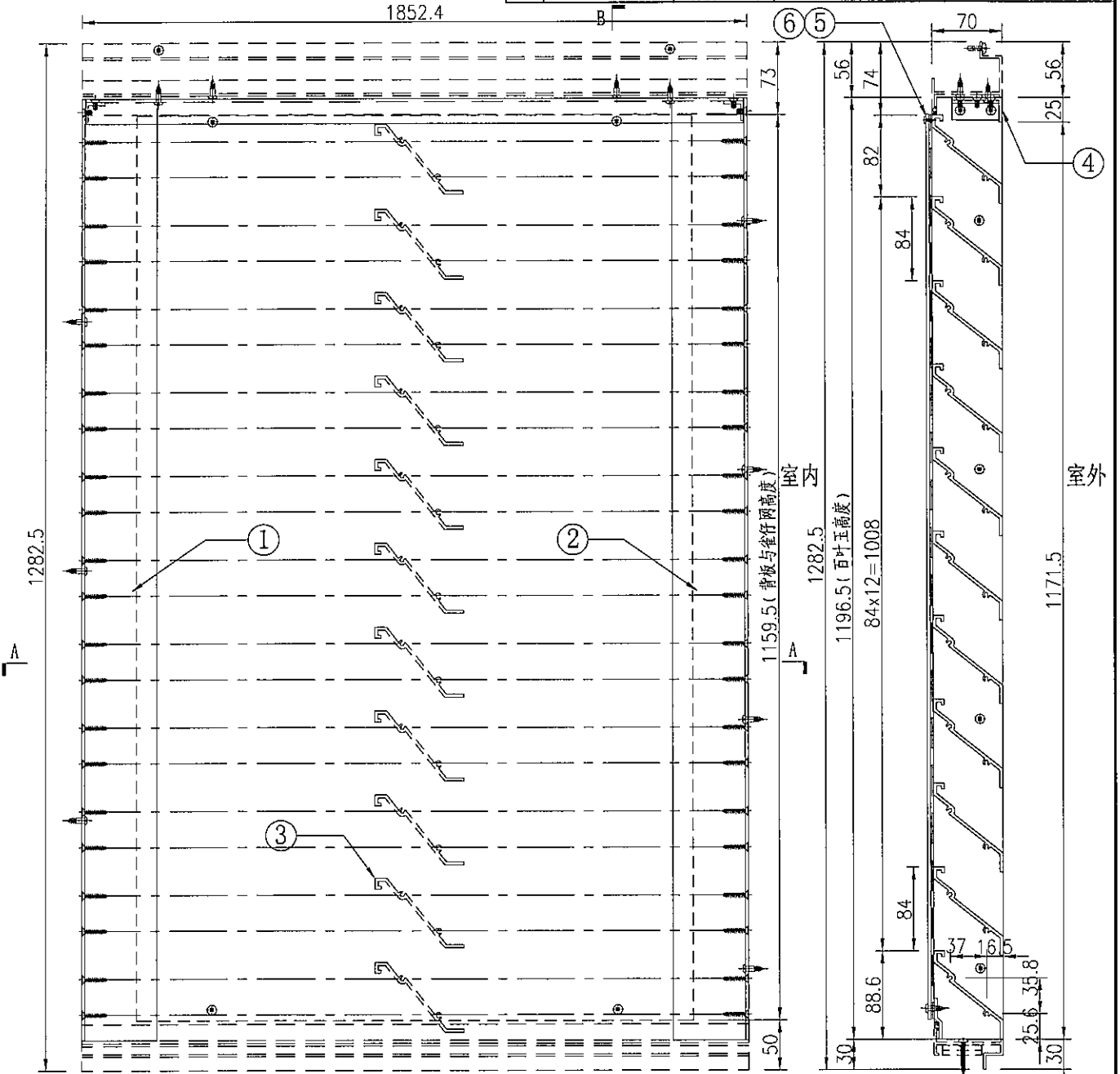
| | | | | | | | |
|----|--------|----|-----|-----------|----|---------------|--|
| 名稱 | 百葉玉組裝圖 | 制圖 | 吳禕瑜 | 2019.5.07 | 修改 | | |
| 材料 | - | 復核 | | | 日期 | | |
| 顏色 | - | 批准 | | | 圖號 | J837-FC-BYY79 | |



美特鋁質 有限公司
MIDI Aluminium Fabricator Ltd.

| 百葉玉編號 | 百葉玉弧長度L | 鋁板弧長度L1 | 百葉玉高度H | 鋁板高度H1 | 數量 | |
|--------------|---------------------|---------|--------|--------|----|-----------|
| J837-FC-BYY2 | 1900.5 | 見加工圖 | 1196.5 | 1159.5 | 2 | |
| 序號 | 物料編號 | 名稱 | 數量 | 長度 | 備註 | 模號 |
| 1 | J837-FC-VAL7 | 鋁角加工圈 | 2 | 1196.5 | 廠裝 | CA0000322 |
| 2 | J837-FC-VAL6 | 鋁角加工圈 | 2 | 1196.5 | 廠裝 | CA0000322 |
| 3 | J837-FC-HAL2G | 百葉片加工圈 | 28 | 1894.5 | 廠裝 | X85618 |
| 4 | J837-FC-HAL2A | 鋁角加工圈 | 2 | 1876.8 | 廠裝 | PE0E10034 |
| 5 | 1790.5 x 1159.5 | 雀仔網 | 2 | | 廠裝 | |
| 6 | J837-FC-BB2 | 背板加工圈 | 2 | 見加工圖 | 廠裝 | 3mm鋁板 |

工程號 J-837 地盤 觀塘



SECTION B-B

| | | | | | | | |
|----|--------|----|-----|-----------|----|--------------|--|
| 名稱 | 百葉玉組裝圖 | 制圖 | 吳禕瑜 | 2019.5.07 | 修改 | | |
| 材料 | - | 復核 | | | 日期 | | |
| 顏色 | - | 批准 | | | 圖號 | J837-FC-BYY2 | |

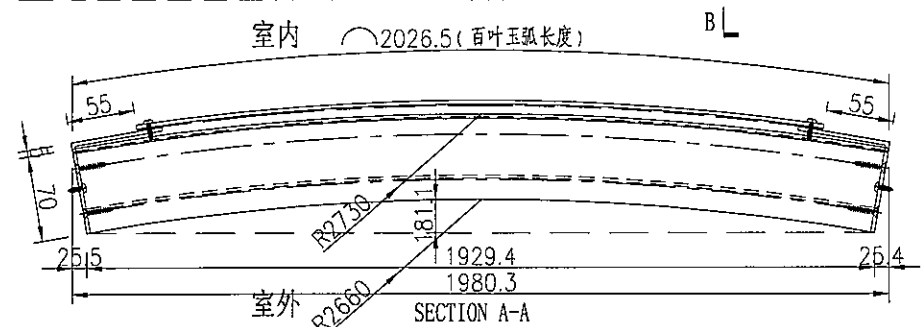
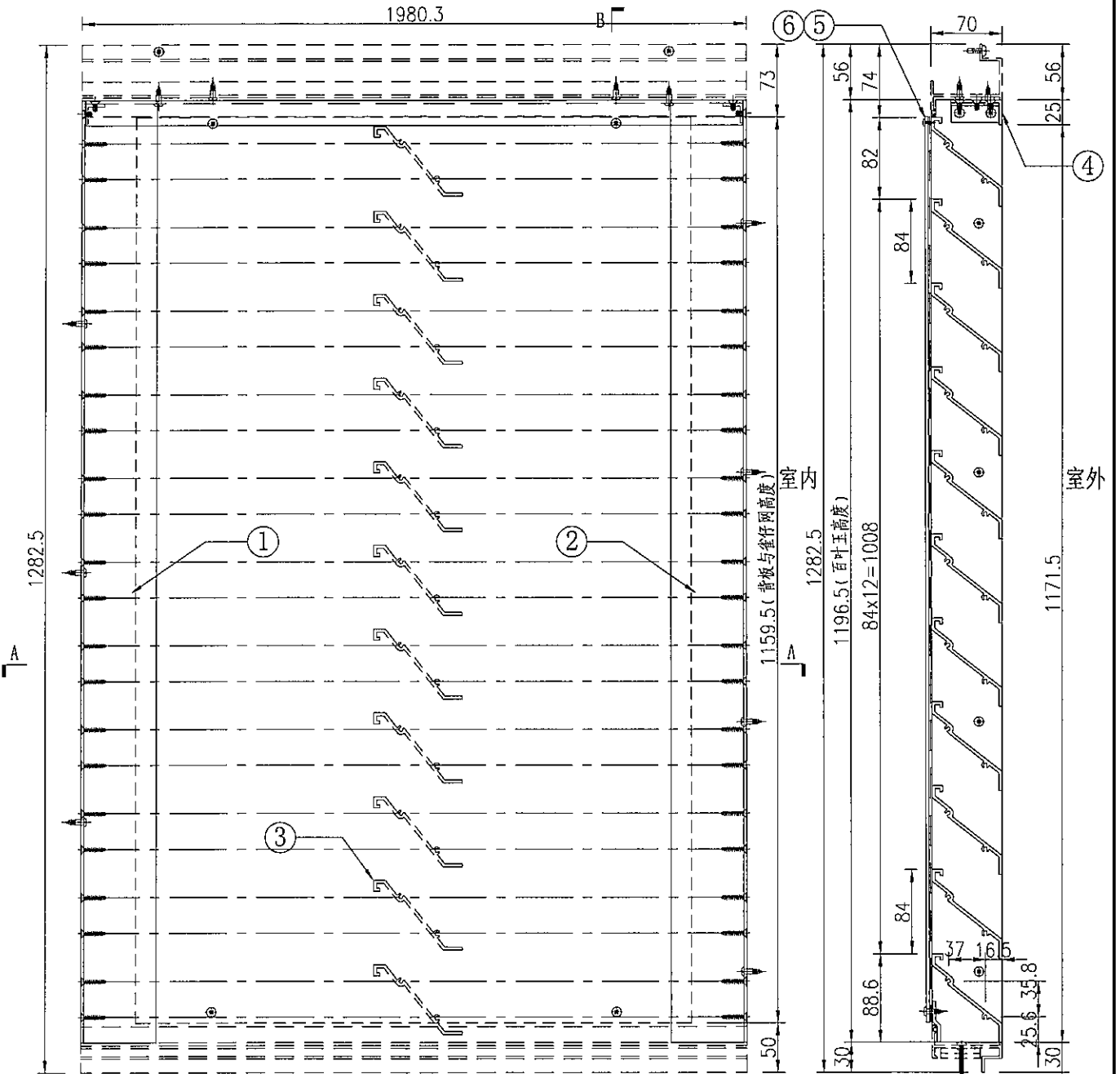
EG-DWG3



美特鋁質 有限公司
MIDI Aluminium Fabricator Ltd.

工程號 J-837 地盤 觀塘

| 百葉玉編號 | 百葉玉弧長度L | 鋁板弧長度L1 | 百葉玉高度H | 鋁板高度H1 | 數量 | |
|---------------|-----------------|---------|--------|--------|----|-----------|
| J837-FC-BYY73 | 2026.5 | 見加工圖 | 1196.5 | 1159.5 | 2 | |
| 序號 | 物料編號 | 名稱 | 數量 | 長度 | 備註 | 模號 |
| 1 | J837-FC-VAL7 | 鋁角加工圓 | 2 | 1196.5 | 廠裝 | CA0000322 |
| 2 | J837-FC-VAL6 | 鋁角加工圓 | 2 | 1196.5 | 廠裝 | CA0000322 |
| 3 | J837-FC-HAL73G | 百葉片加工圓 | 28 | 2020.5 | 廠裝 | X85618 |
| 4 | J837-FC-HAL73A | 鋁角加工圓 | 2 | 2003.6 | 廠裝 | PE0E10034 |
| 5 | 1916.5 x 1159.5 | 雀仔網 | 2 | | 廠裝 | |
| 6 | J837-FC-BB73 | 背板加工圓 | 2 | 見加工圖 | 廠裝 | 3mm鋁板 |



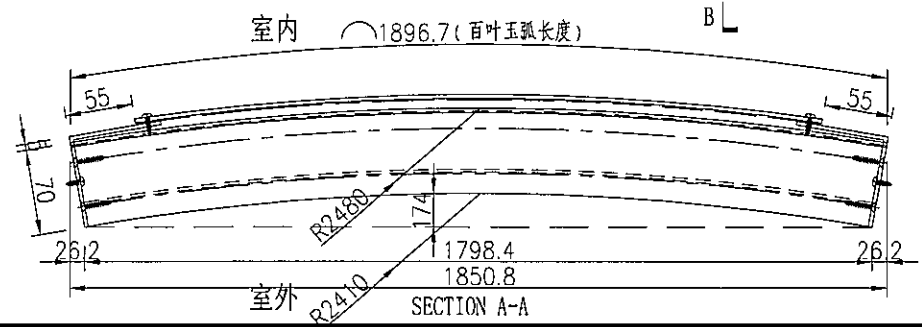
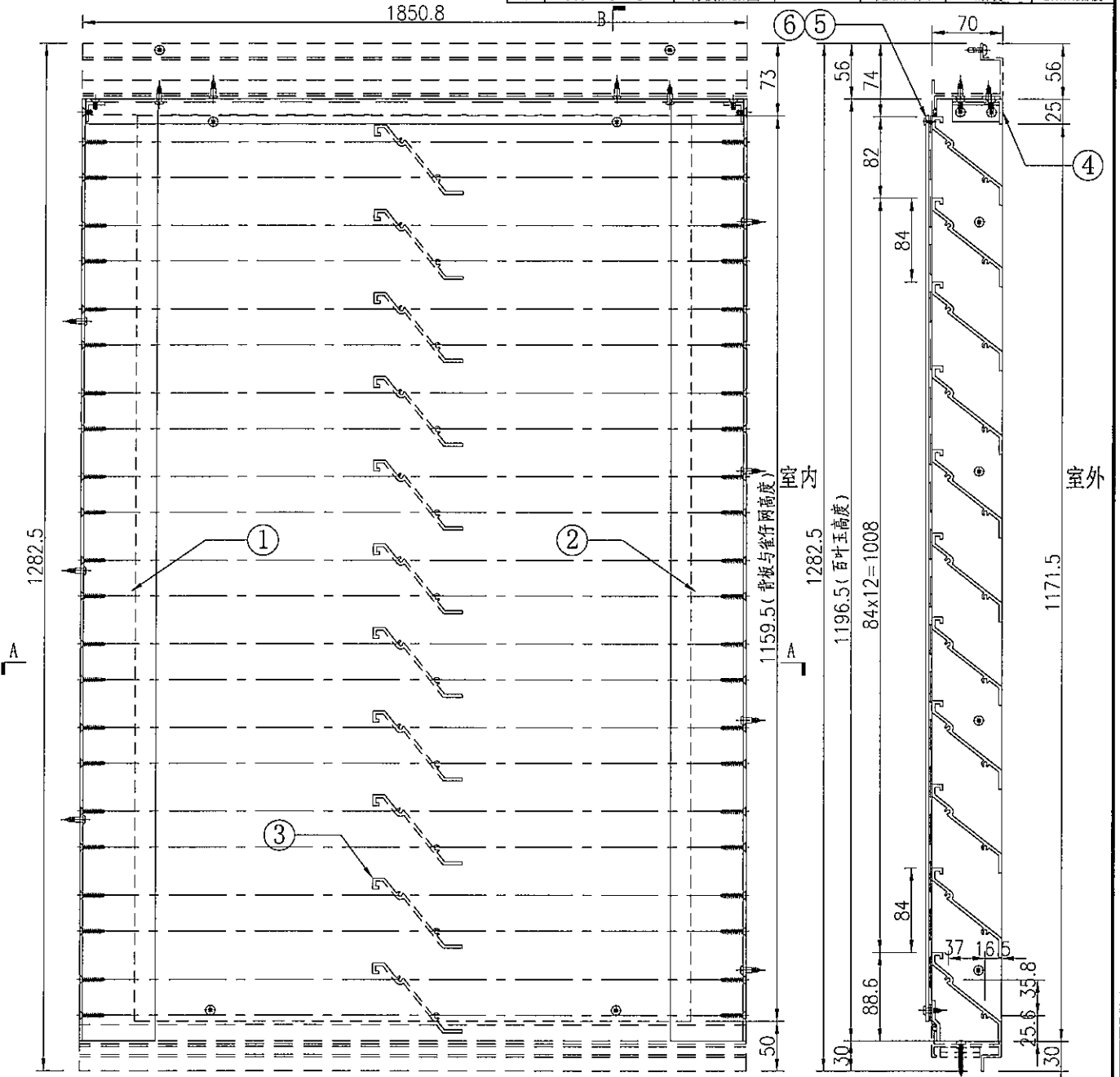
| | | | | | | | |
|----|--------|----|-----|-----------|----|---------------|--|
| 名稱 | 百葉玉組裝圖 | 制圖 | 吳禕瑜 | 2019.5.07 | 修改 | | |
| 材料 | - | 復核 | | | 日期 | | |
| 顏色 | - | 批准 | | | 圖號 | J837-FC-BYY73 | |



美特鋁質 有限公司
MIDI Aluminium Fabricator Ltd.

工程號 J-837 地盤 觀塘

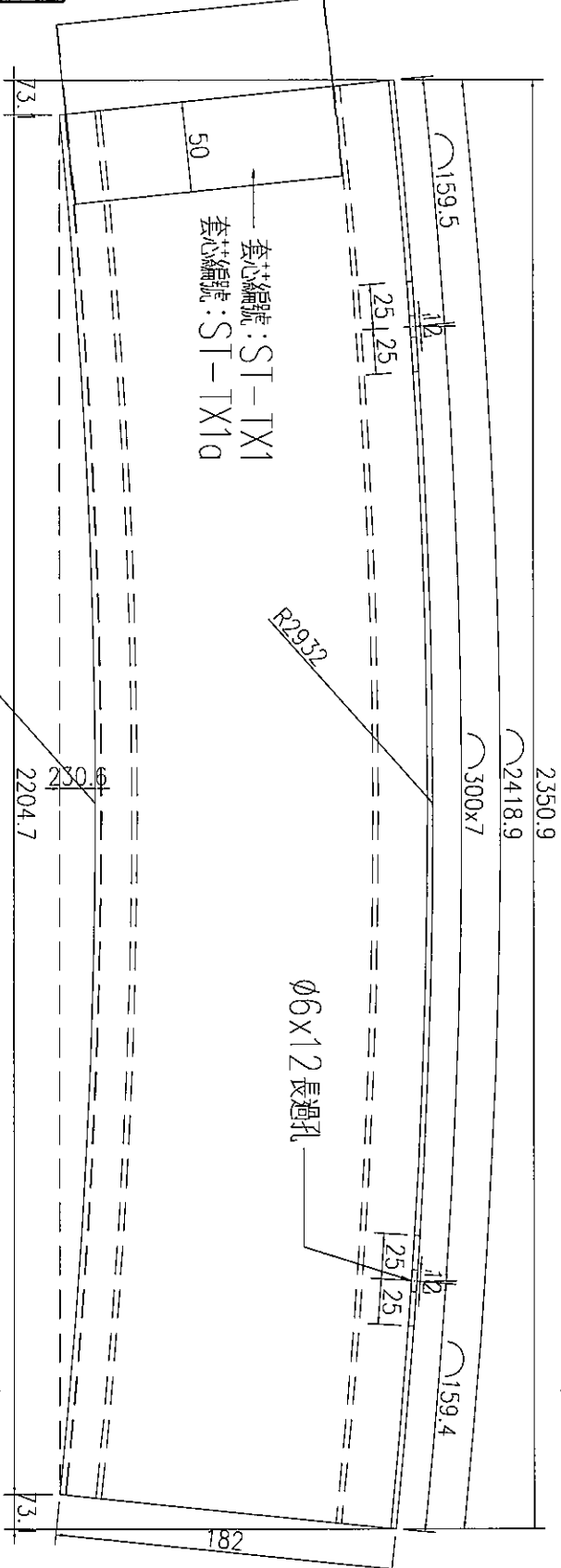
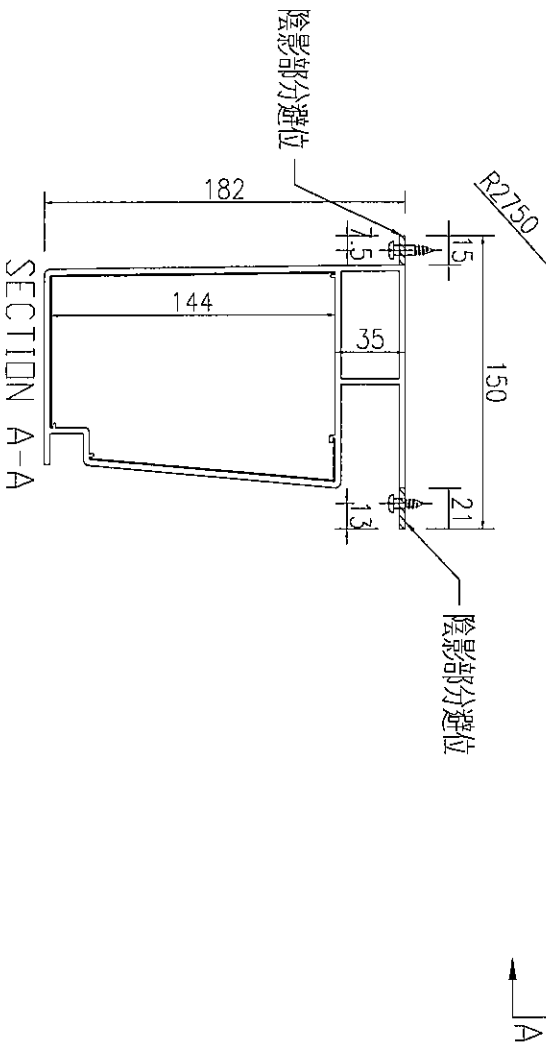
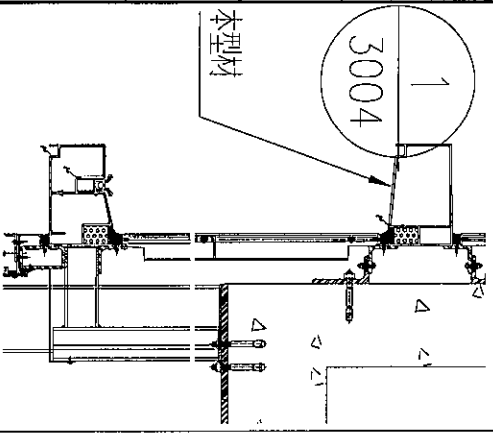
| 百葉玉編號 | 百葉玉弧長度L | 鋁板弧長度L1 | 百葉玉高度H | 鋁板高度H1 | 數量 | |
|---------------|-----------------|---------|--------|--------|----|-----------|
| J837-FC-BYY32 | 1896.7 | 見加工圖 | 1196.5 | 1159.5 | 2 | |
| 序號 | 物料編號 | 名稱 | 數量 | 長度 | 備註 | 模號 |
| 1 | J837-FC-VAL7 | 鋁角加工圈 | 2 | 1196.5 | 廠裝 | CA0000322 |
| 2 | J837-FC-VAL6 | 鋁角加工圈 | 2 | 1196.5 | 廠裝 | CA0000322 |
| 3 | J837-FC-HAL32G | 百葉片加工圈 | 28 | 1890.7 | 廠裝 | X85618 |
| 4 | J837-FC-HAL32A | 鋁角加工圈 | 2 | 1873.4 | 廠裝 | PE0E10034 |
| 5 | 1786.7 x 1159.5 | 雀仔網 | 2 | | 廠裝 | |
| 6 | J837-FC-BB32 | 背板加工圈 | 2 | 見加工圖 | 廠裝 | 3mm鋁板 |



SECTION B-B

| | | | | | | | |
|----|--------|----|-----|-----------|----|---------------|--|
| 名稱 | 百葉玉組裝圖 | 制圖 | 吳禕瑜 | 2019.5.07 | 修改 | | |
| 材料 | - | 復核 | | | 日期 | | |
| 顏色 | - | 批准 | | | 圖號 | J837-FC-BYY32 | |

注: 使用E10190中的J837-WH-04 进行加工



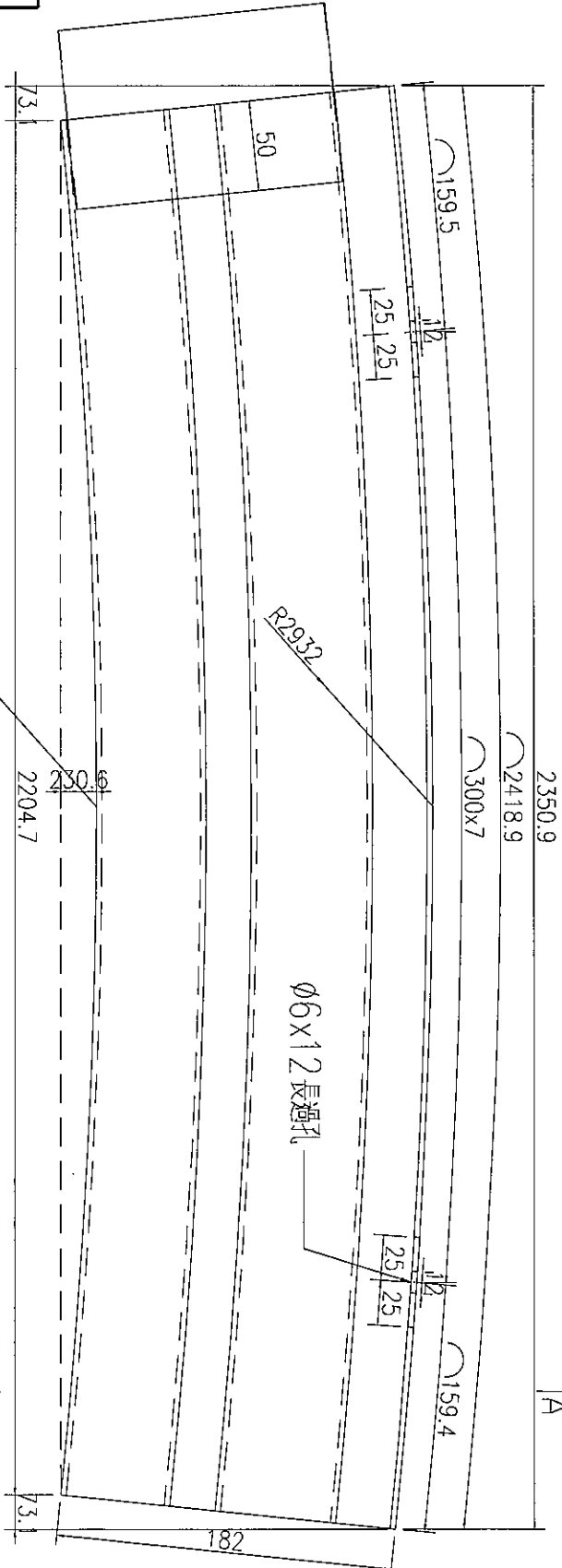
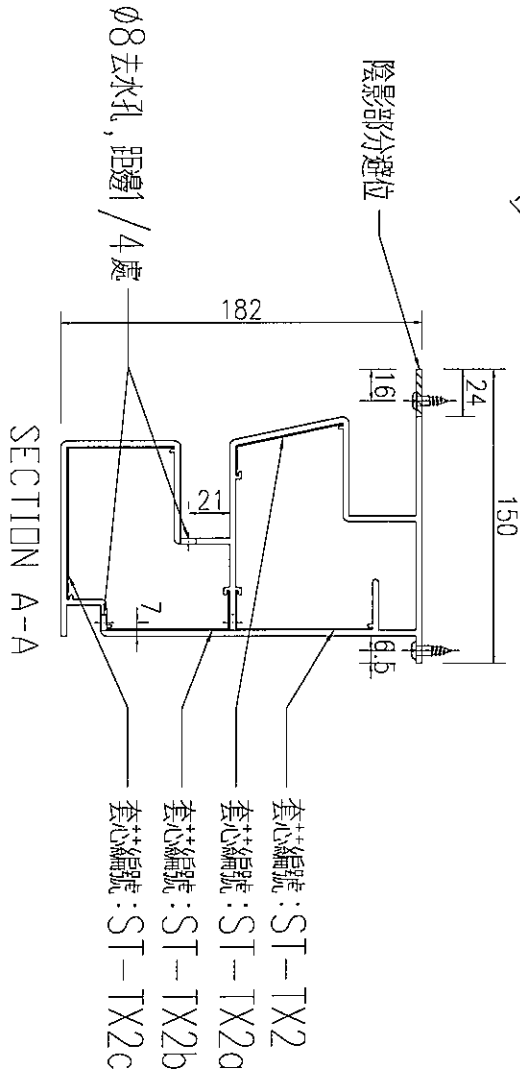
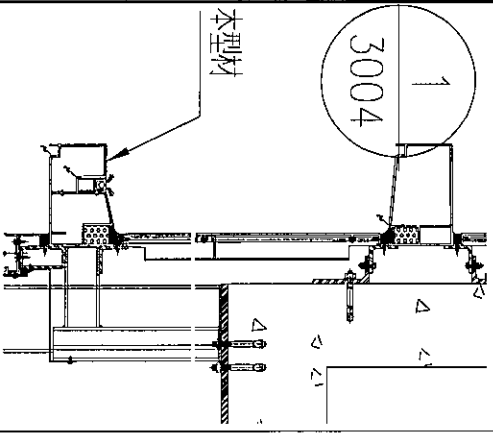
| 数量 | 备注 |
|----|----|
| 2 | |

| | | | | | | |
|----|-------------------|----|-----|------------|----|---------------|
| 名稱 | 裝飾條1彎弧加工圖 | 制圖 | 吳禕瑜 | 2019.05.04 | 修改 | |
| 材料 | X85640 | 復核 | | | 日期 | |
| 顏色 | EC-DG-W333007RY白色 | 批准 | | | 圖號 | J837-FC-ST23A |

美特鋁質有限公司
MIDI Aluminium Fabricator Ltd.

工程號 J-837 地盤 觀塘

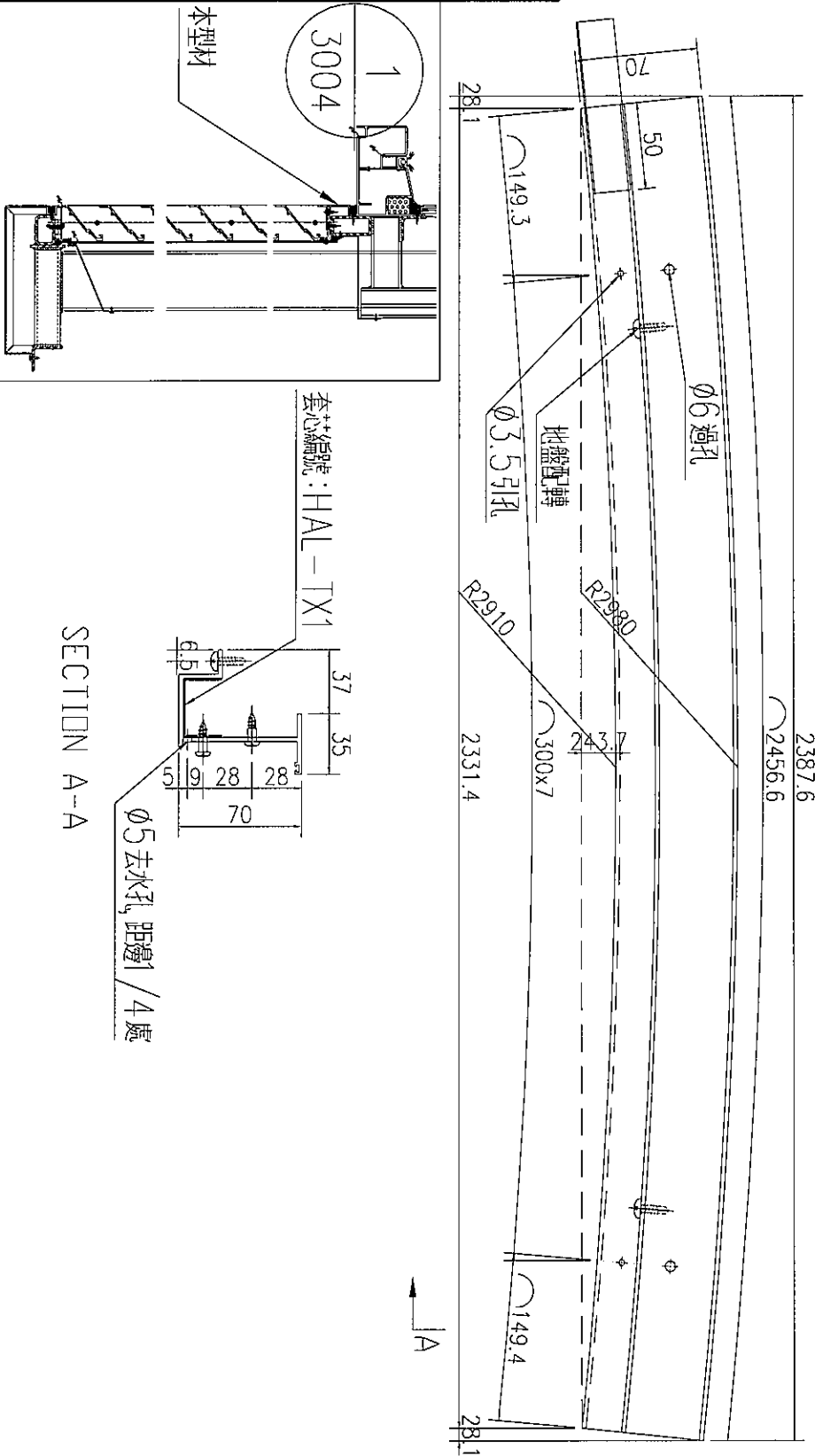
注：使用E10190中的J837-WH-05进行加工



| 数量 | 备注 |
|----|----|
| 2 | |

| | | | | | | |
|----|-------------------|----|-----|------------|----|---------------|
| 名稱 | 裝飾條2彎弧加工圖 | 制圖 | 吳禕瑜 | 2019.05.04 | 修改 | |
| 材料 | X85641 | 復核 | | | 日期 | |
| 顏色 | EC-DG-W333007RY白色 | 批准 | | | 圖號 | J837-FC-ST23B |

注：使用E10190中的J837-WH-06进行加工



| 数量 | 备注 |
|----|----|
| 2 | |

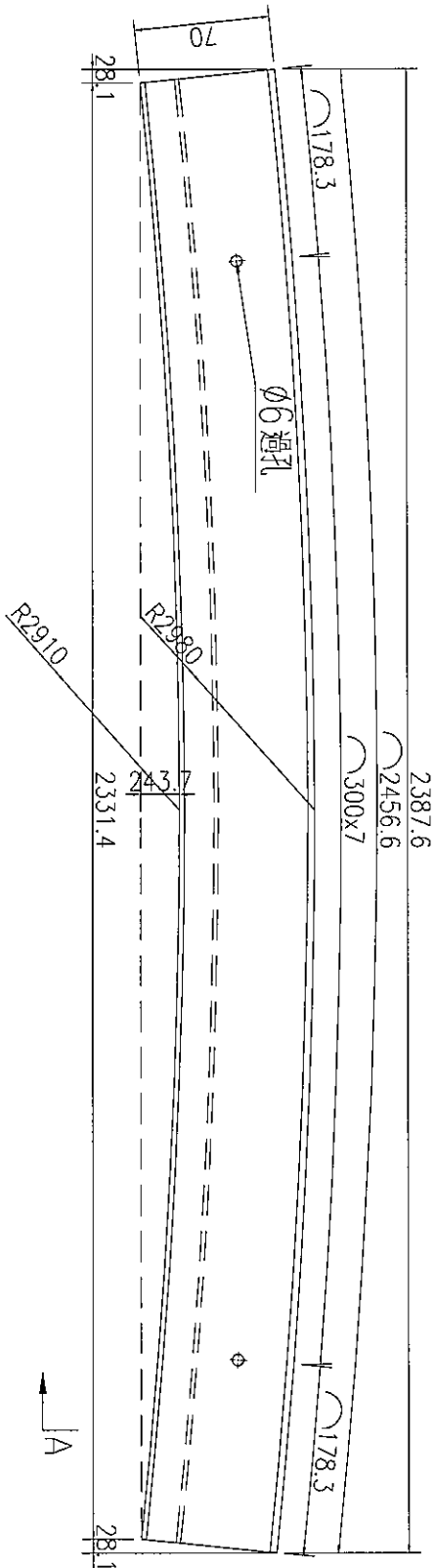
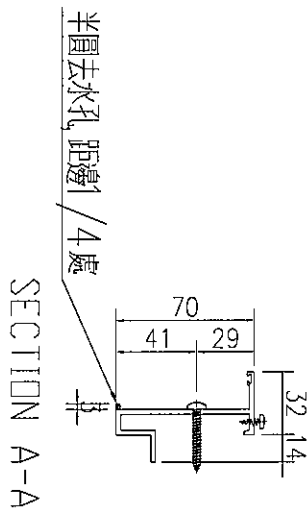
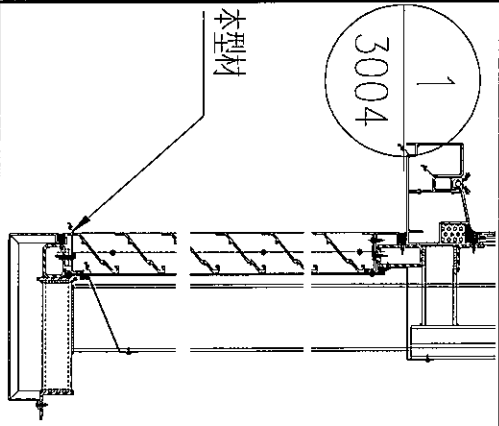
| | | | | | | |
|----|------------------|----|-----|------------|----|----------------|
| 名稱 | 百葉框頂橫彎弧加工圖 | 制圖 | 吳祿瑜 | 2019.05.04 | 修改 | |
| 材料 | X85617 | 復核 | | | 日期 | |
| 顏色 | EC-DG-S332054香檳金 | 批准 | | | 圖號 | J837-FC-HAL23B |



美特鋁質 有限公司
MIDI Aluminium Fabricator Ltd.

工程號 J-837 地盤 觀塘

注: 使用E10190中的J837-WH-07 进行加工



| 数量 | 备注 |
|----|----|
| 2 | |

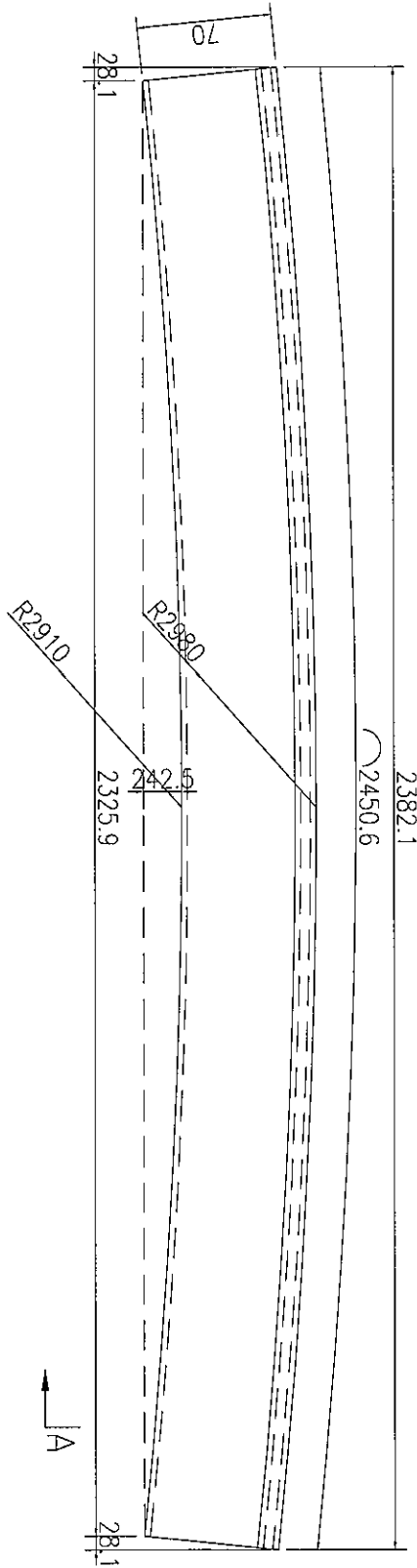
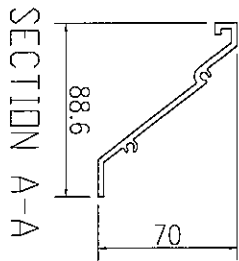
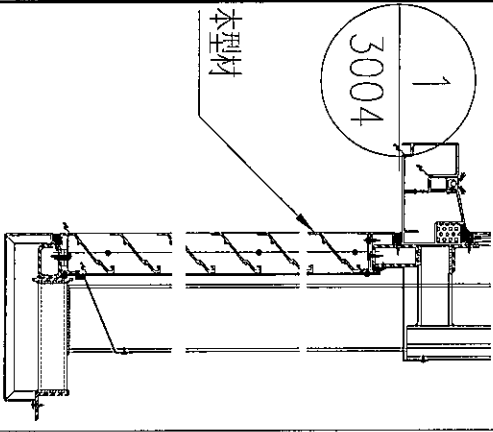
| | | | | | | | |
|----|-------------------|----|-----|------------|----|----------------|--|
| 名稱 | 百葉框底橫彎弧加工圖 | 制圖 | 吳祿瑜 | 2019.05.04 | 修改 | | |
| 材料 | X85616 | 復核 | | | 日期 | | |
| 顏色 | EC-DG-S332054 香檳金 | 批准 | | | 圖號 | J837-FC-HAL23C | |



美特鋁質 有限公司
MIDI Aluminium Fabricator Ltd.

工程號 J-837 地盤 觀塘

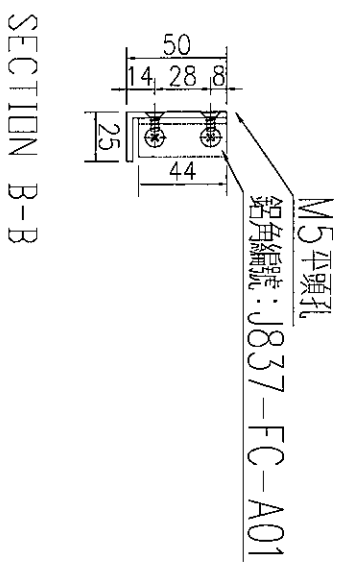
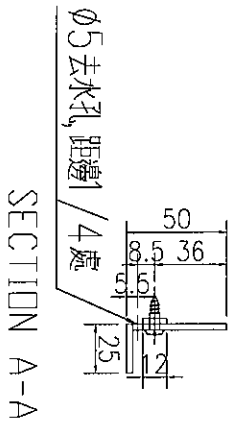
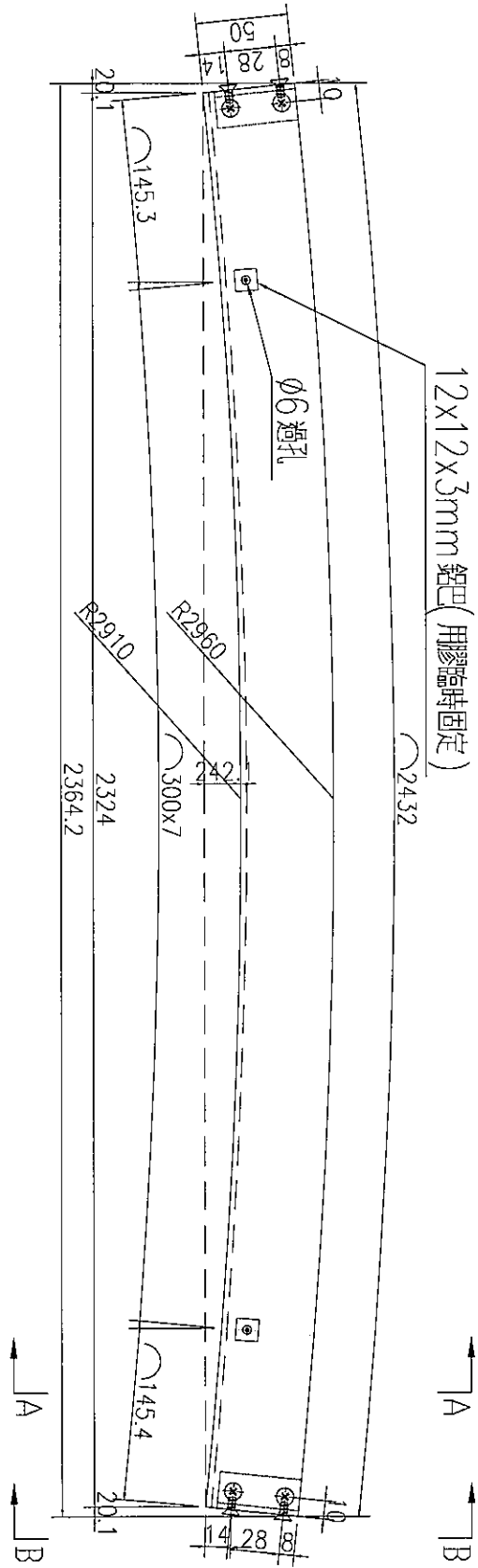
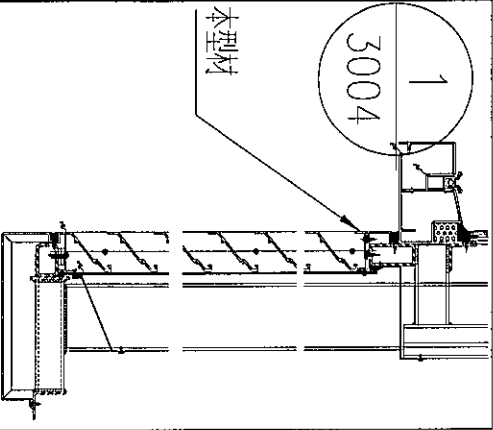
注: 使用E10190中的J837-WH-08进行加工



| | | |
|----|----|----|
| 数量 | 28 | 备注 |
|----|----|----|

| | | | | | | |
|----|-------------------|----|-----|------------|----|----------------|
| 名稱 | 百葉片彎弧加工圖 | 制圖 | 吳祥瑜 | 2019.05.04 | 修改 | |
| 材料 | X85618 | 復核 | | | 日期 | |
| 顏色 | EC-DG-S332054 香槟金 | 批准 | | | 圖號 | J837-FC-HAL23G |

注: 使用E10190中的J837-WH-09 进行加工



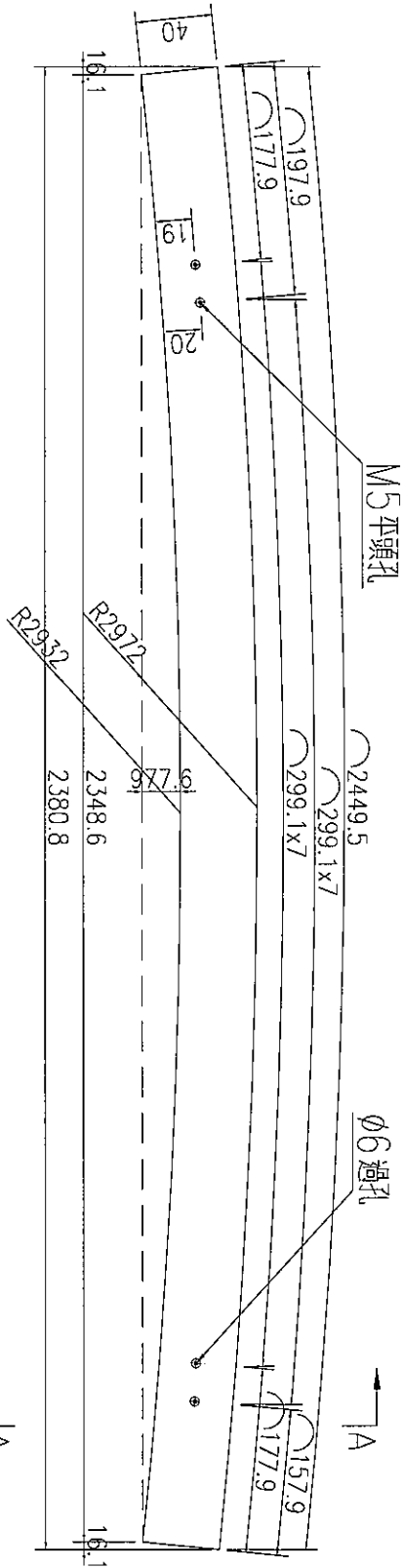
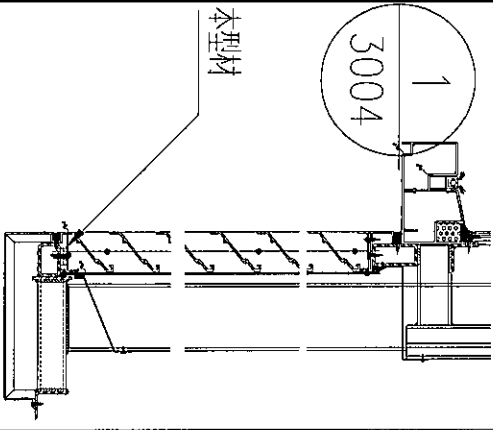
| 数量 | 备注 |
|----|----|
| 2 | |

| | | | | | | |
|----|-------------------|----|-----|------------|----|----------------|
| 名稱 | 鋁角彎弧加工圖 | 制圖 | 吳禕瑜 | 2019.05.04 | 修改 | |
| 材料 | PEOE10027 | 復核 | | | 日期 | |
| 顏色 | EC-DG-S332054 香槟金 | 批准 | | | 圖號 | J837-FC-HAL23A |

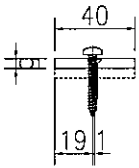
美特鋁質 有限公司
MIDI Aluminium Fabricator Ltd.

工程號 J-837 地盤 觀塘

注: 使用E10190中的J837-WH-10进行加工



SECTION A-A

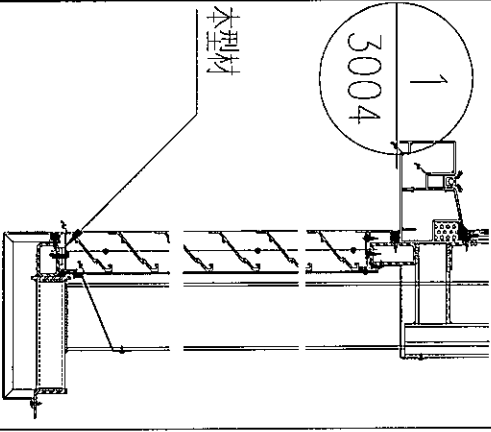


| | | | |
|----|---|----|--|
| 数量 | 2 | 备注 | |
|----|---|----|--|

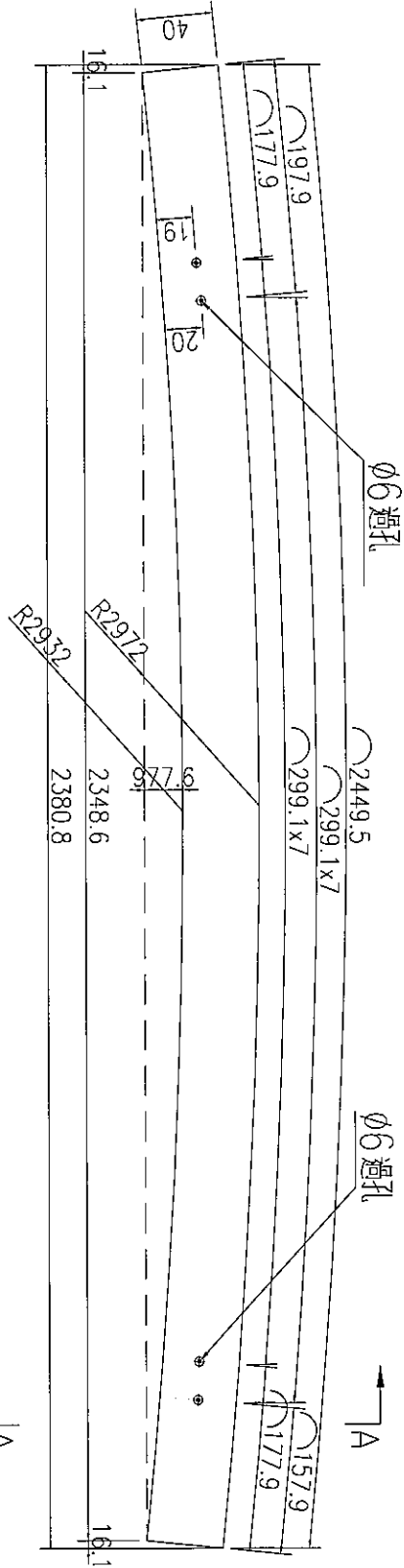
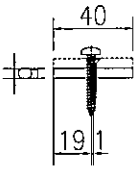
| | | | | | | | |
|----|-----------|----|-----|------------|----|----------------|--|
| 名稱 | 鋁巴彎弧加工圖 | 制圖 | 吳祿瑜 | 2019.05.04 | 修改 | | |
| 材料 | PE00E3465 | 復核 | | | 日期 | | |
| 顏色 | MILL | 批准 | | | 圖號 | J837-FC-HAL23D | |

美特鋁質 有限公司
MIDI Aluminium Fabricator Ltd.

工程號 J-837 地盤 觀塘



SECTION A-A



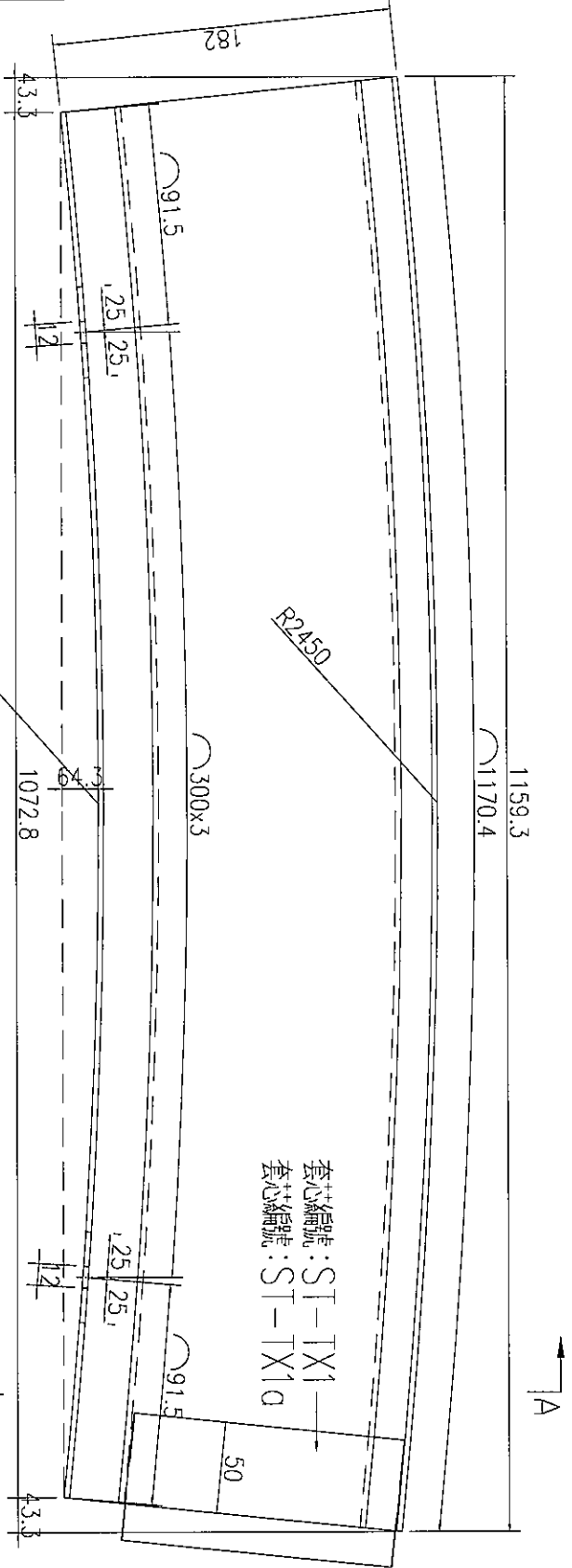
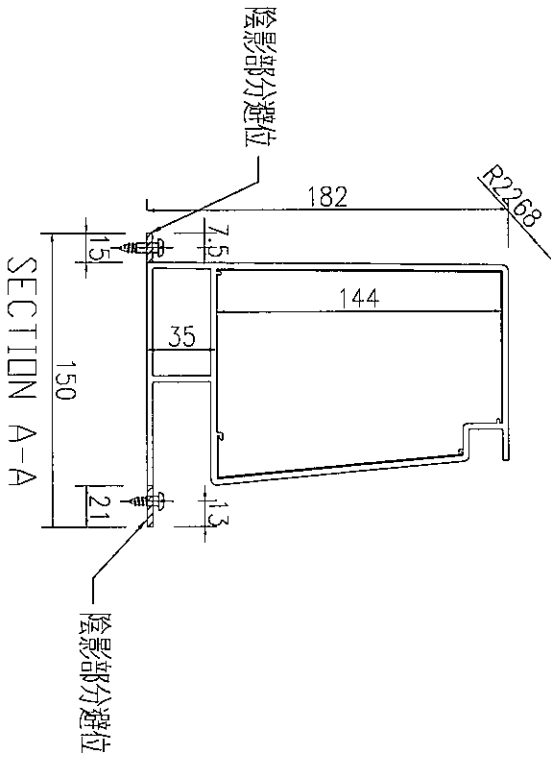
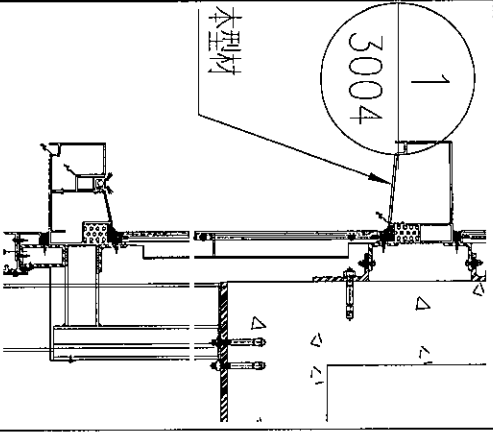
注: 使用E10190中的J837-WH-10进行加工

| 数量 | 备注 |
|----|----|
| 2 | |

| | | | | | | |
|----|-----------|----|-----|------------|----|----------------|
| 名稱 | 鋁巴彎弧加工圖 | 制圖 | 吳祿瑜 | 2019.05.04 | 修改 | |
| 材料 | PE00E3465 | 復核 | | | 日期 | |
| 顏色 | MILL | 批准 | | | 圖號 | J837-FC-HAL23E |

工程號 J-837 地盤 觀塘

注: 使用E10190中的J837-WH-11进行加工



套心編號: ST-TX1
套心編號: ST-TX1a

| 数量 | 备注 |
|----|----|
| 3 | |

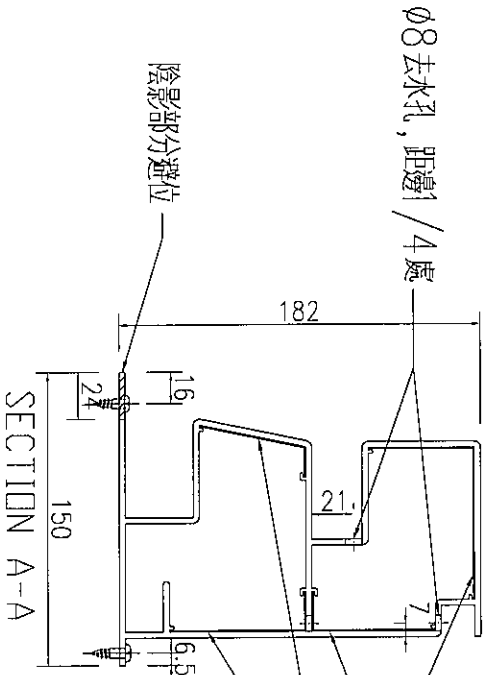
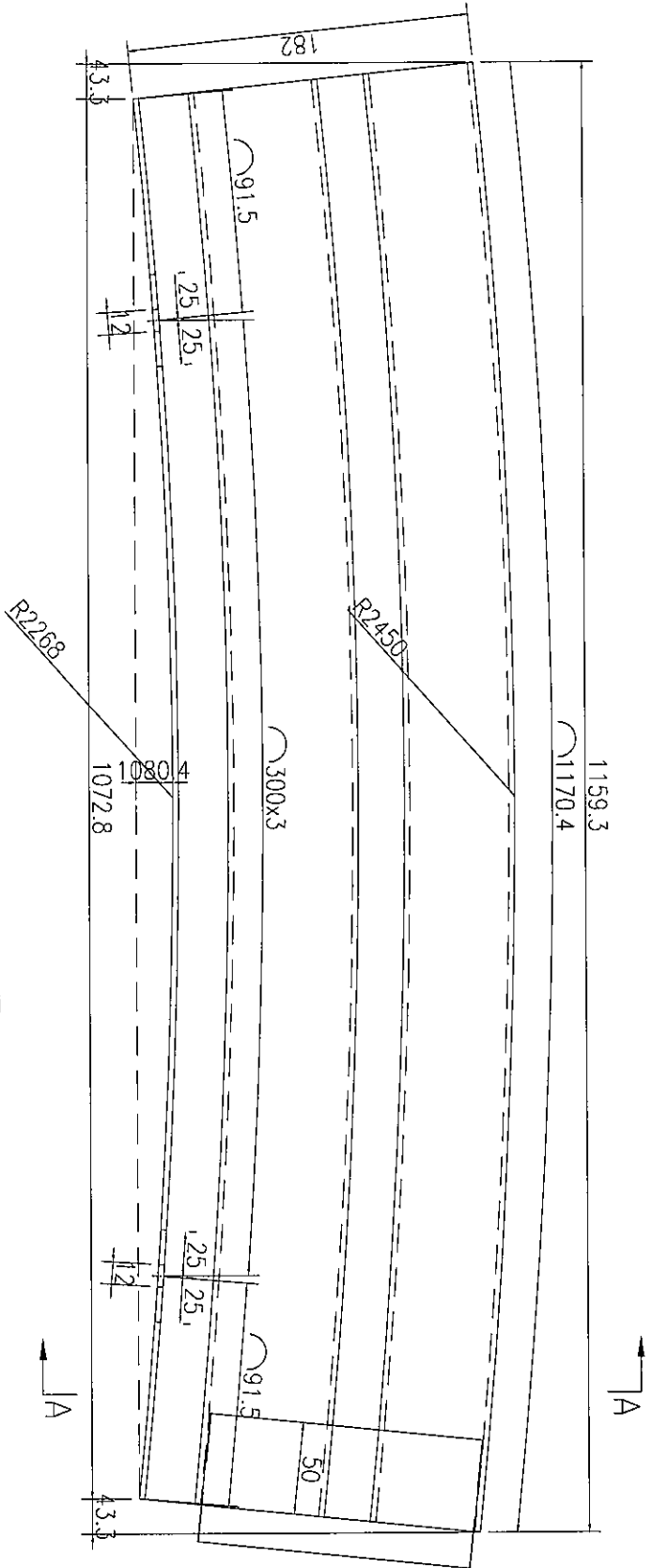
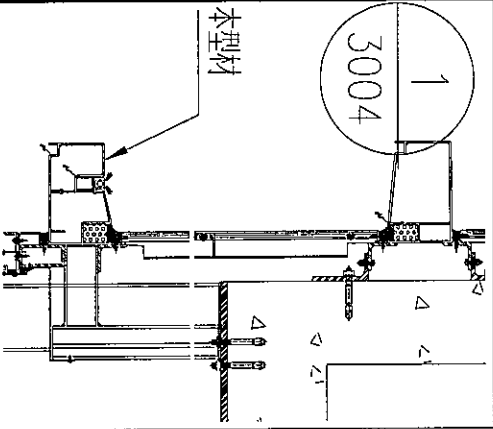
| | | | | | | |
|----|-------------------|----|-----|------------|----|---------------|
| 名稱 | 裝飾條 彎弧加工圖 | 制圖 | 吳禕瑜 | 2019.05.04 | 修改 | |
| 材料 | X85640 | 復核 | | | 日期 | |
| 顏色 | EC-DG-W333007RY白色 | 批准 | | | 圖號 | J837-FC-ST79A |



美特鋁質有限公司
MIDI Aluminium Fabricator Ltd.

工程號 J-837 地盤 觀塘

注: 使用E10190中的J837-WH-12 进行加工



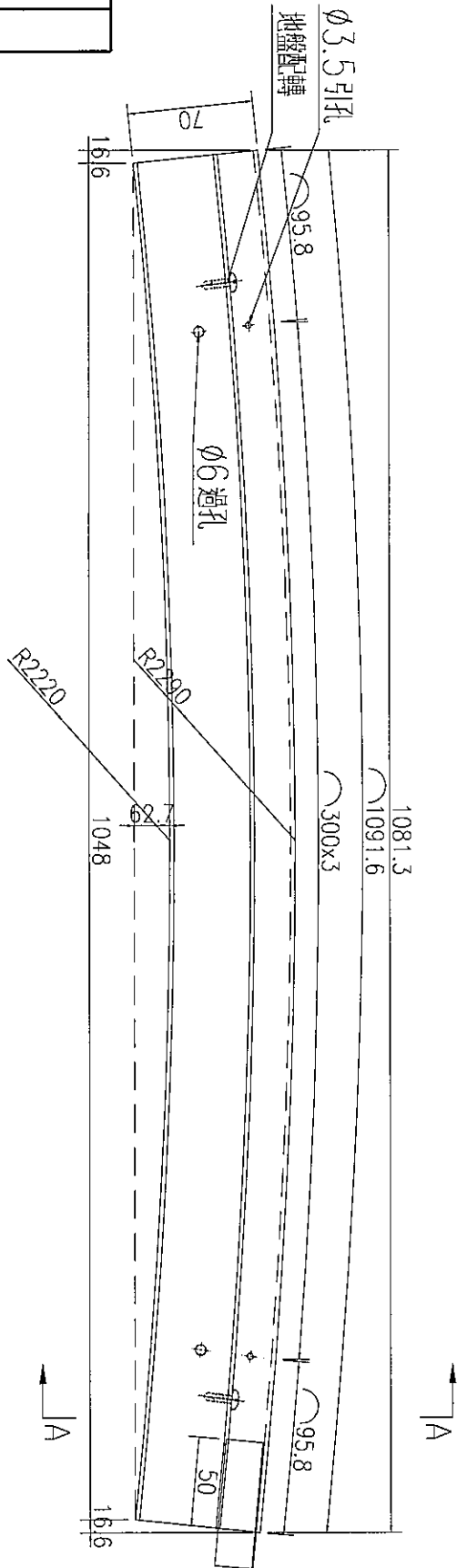
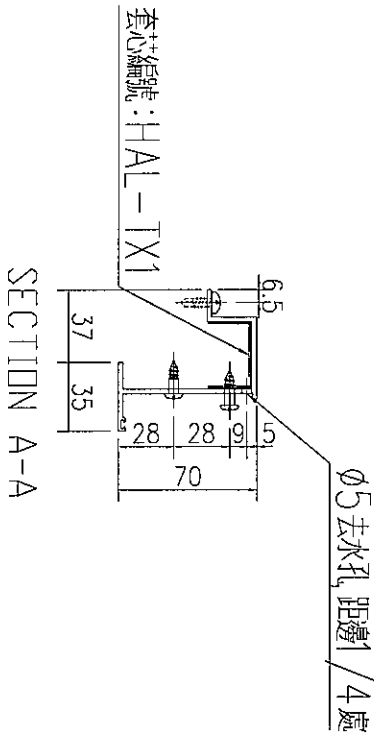
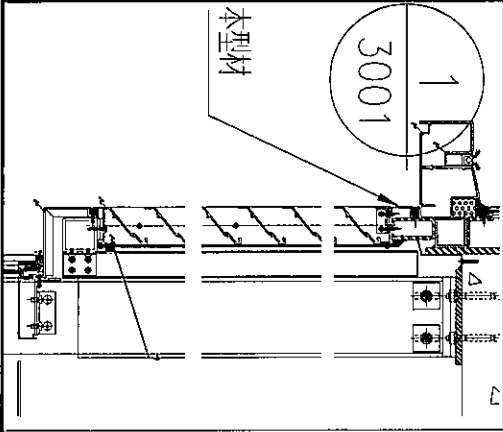
- 套芯編號: ST-TX2c
- 套芯編號: ST-TX2b
- 套芯編號: ST-TX2a
- 套芯編號: ST-TX2

陰影部分避位

| 数量 | 备注 |
|----|----|
| 3 | |

| | | | | | | |
|----|-------------------|----|-----|------------|----|---------------|
| 名稱 | 裝飾條2彎弧加工圖 | 制圖 | 吳禕瑜 | 2019.05.04 | 修改 | |
| 材料 | X85641 | 復核 | | | 日期 | |
| 顏色 | EC-DG-W333007RY白色 | 批准 | | | 圖號 | J837-FC-ST79B |

注: 使用E10190中的J837-WH-13进行加工



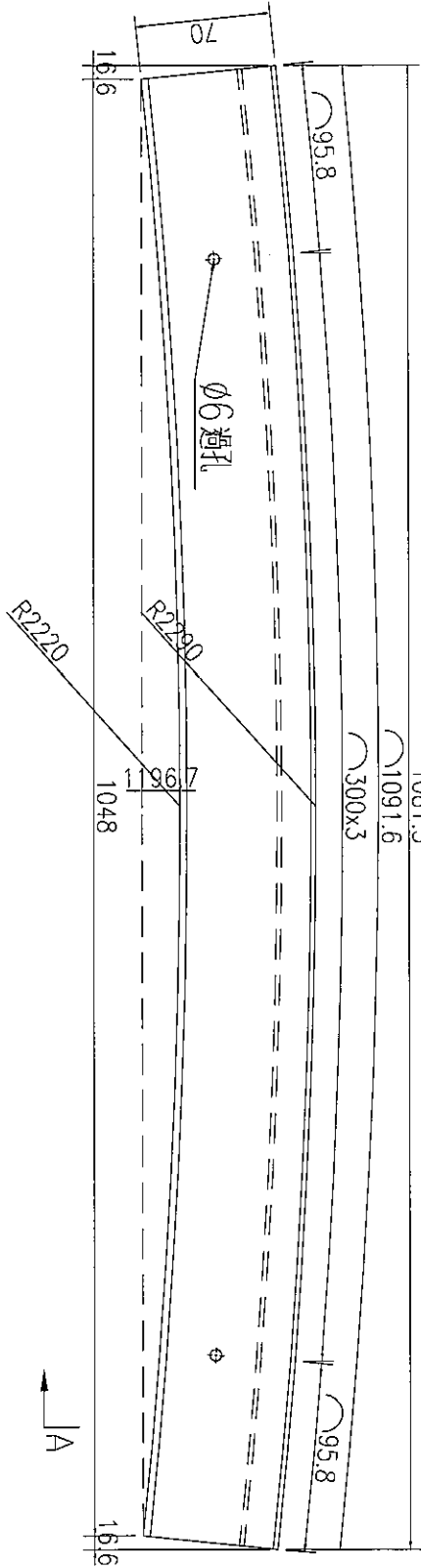
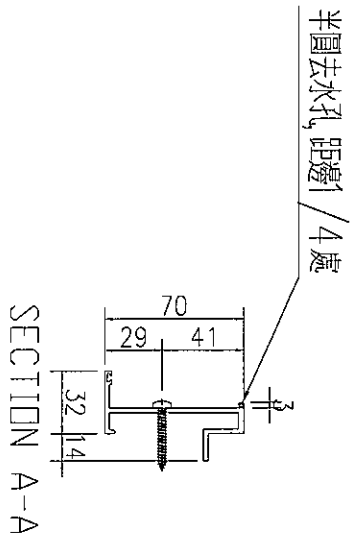
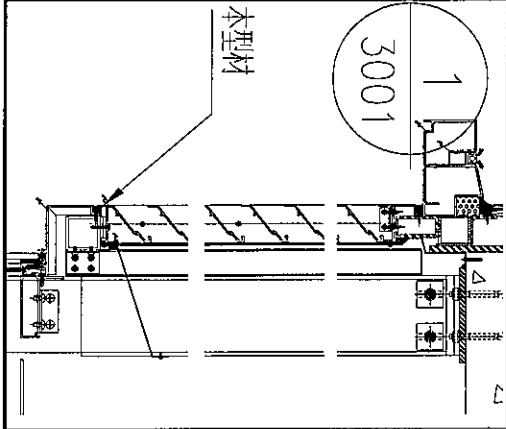
| | | | |
|----|---|----|--|
| 数量 | 3 | 备注 | |
|----|---|----|--|

| | | | | | | | |
|----|-------------------|----|-----|------------|----|----------------|--|
| 名稱 | 百葉框頂橫彎弧加工圖 | 制圖 | 吳祎瑜 | 2019.05.04 | 修改 | | |
| 材料 | X85617 | 復核 | | | 日期 | | |
| 顏色 | EC-DG-S332054 香檳金 | 批准 | | | 圖號 | J837-FC-HAL79B | |

美特鋁質有限公司
MIDI Aluminium Fabricator Ltd.

工程號 J-837 地盤 觀塘

注: 使用E10190中的J837-WH-14 进行加工



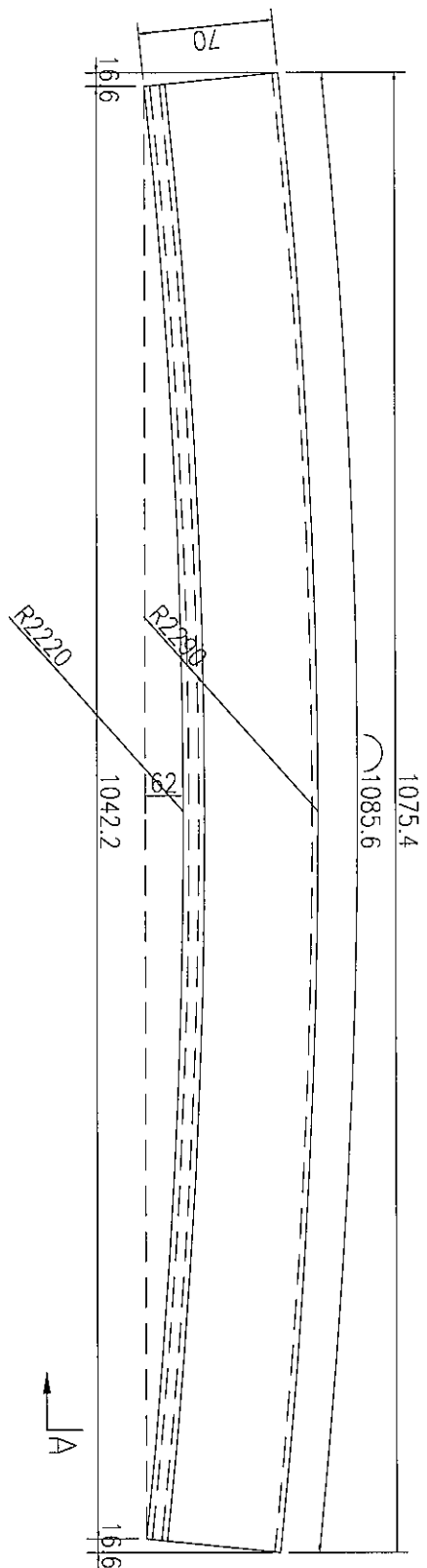
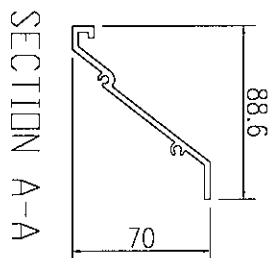
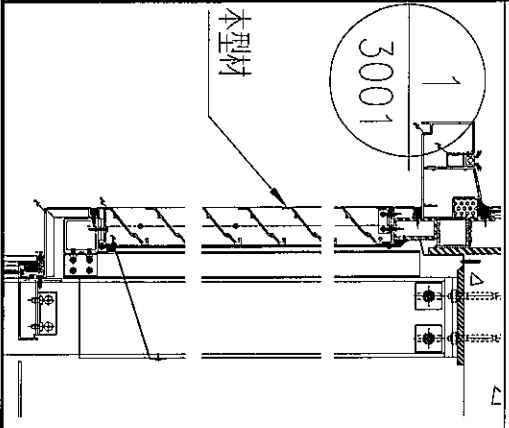
| 数量 | 备注 |
|----|----|
| 3 | |

| | | | | | | | |
|----|-------------------|----|-----|------------|----|----------------|--|
| 名稱 | 百葉框底橫彎弧加工圖 | 制圖 | 吳禕瑜 | 2019.05.04 | 修改 | | |
| 材料 | X85616 | 復核 | | | 日期 | | |
| 顏色 | EC-DG-S332054 香檳金 | 批准 | | | 圖號 | J837-FC-HAL79C | |



美特鋁質 有限公司
MIDI Aluminium Fabricator Ltd.

工程號 J-837 地盤 觀塘



注: 使用E10190中的J837-WH-15进行加工

| | | |
|----|----|----|
| 数量 | 42 | 备注 |
|----|----|----|

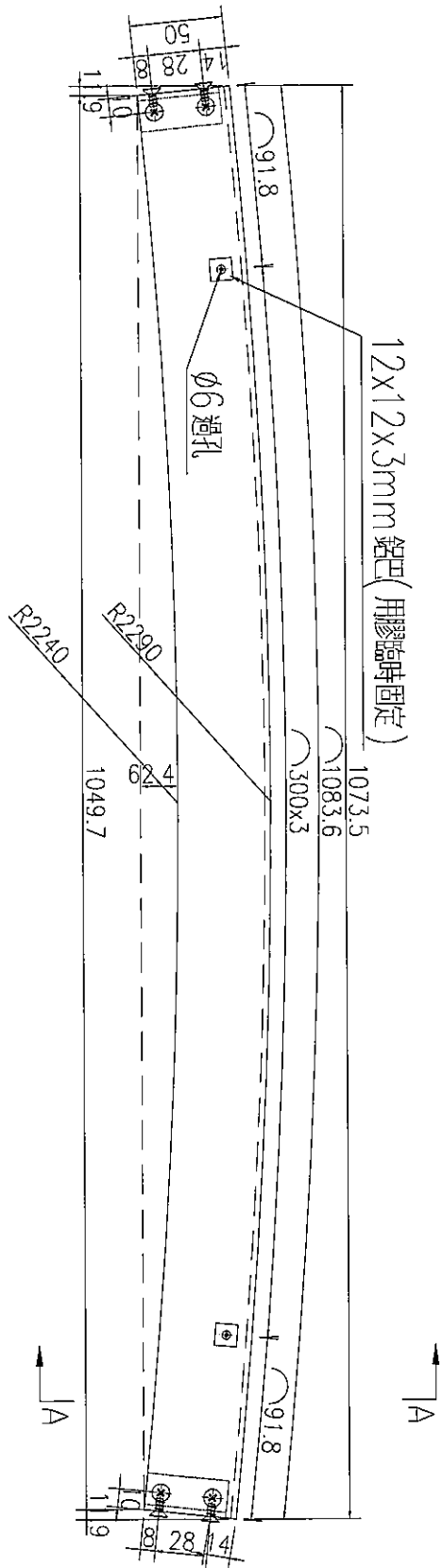
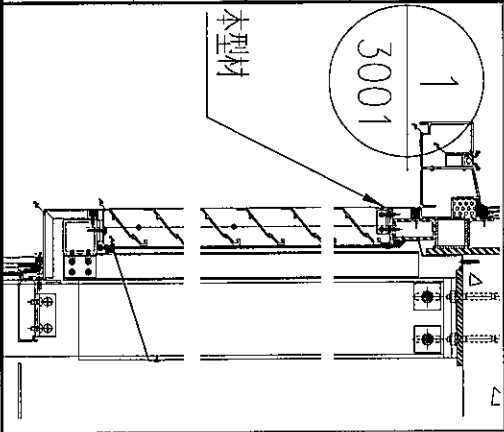
| | | | | | | |
|----|------------------|----|-----|------------|----|----------------|
| 名稱 | 百葉片彎弧加工圖 | 制圖 | 吳禕瑜 | 2019.05.04 | 修改 | |
| 材料 | X85618 | 復核 | | | 日期 | |
| 顏色 | EC-DG-S332054香檳金 | 批准 | | | 圖號 | J837-FC-HAL79G |



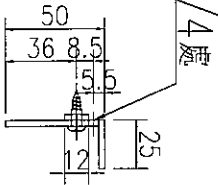
美特鋁質 有限公司
MID Aluminium Fabricator Ltd.

工程號 J-837 地盤 觀塘

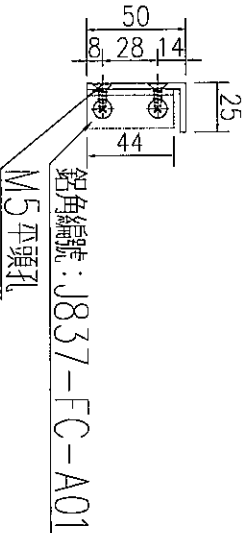
注: 使用E10190中的J837-WH-16 进行加工



SECTION A-A



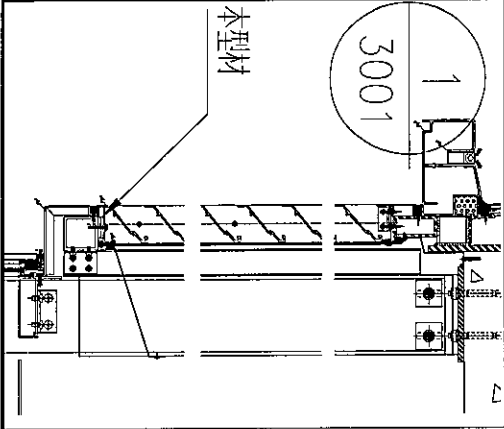
SECTION B-B



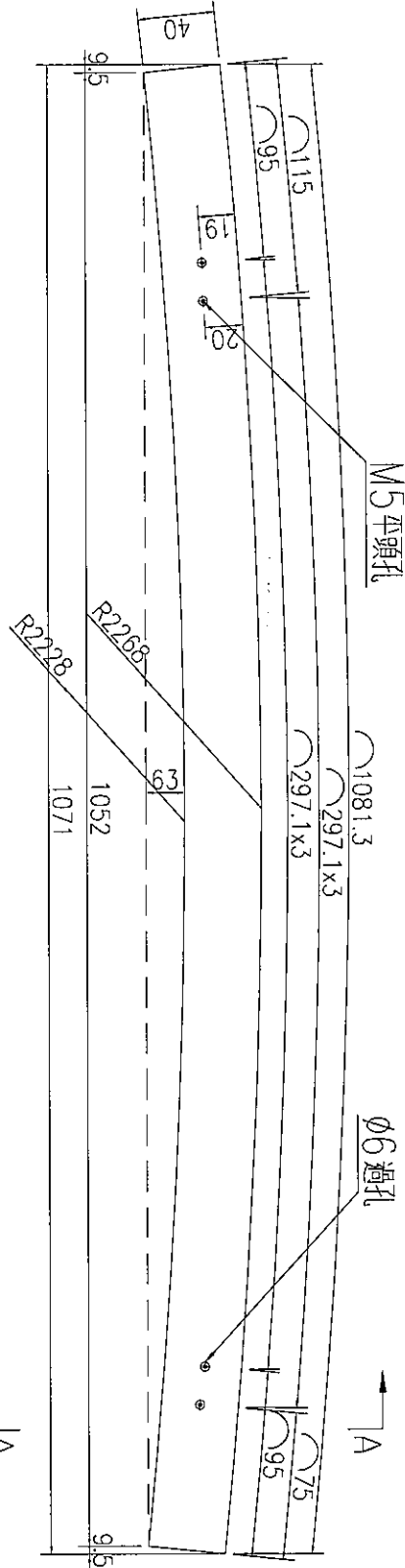
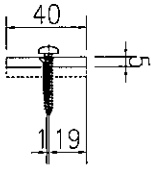
| 数量 | 备注 |
|----|----|
| 3 | |

| | | | | | | | |
|----|-------------------|----|-----|------------|----|----------------|--|
| 名稱 | 鋁角彎弧加工圖 | 制圖 | 吳祿瑜 | 2019.05.04 | 修改 | | |
| 材料 | PEOE10027 | 復核 | | | 日期 | | |
| 顏色 | EC-DG-S332054 香檳金 | 批准 | | | 圖號 | J837-FC-HAL79A | |

注: 使用 I0190 中的 J837-WH-17 进行加工



SECTION A-A



| | | | |
|----|---|----|--|
| 数量 | 3 | 备注 | |
|----|---|----|--|

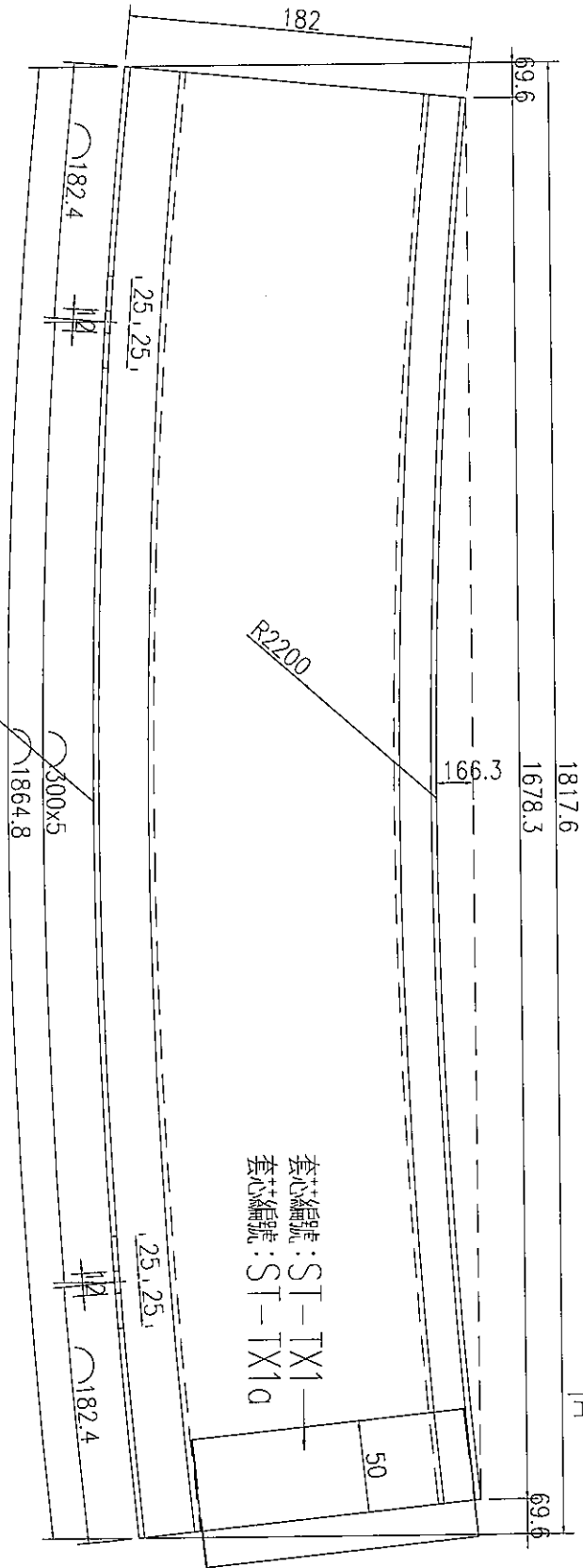
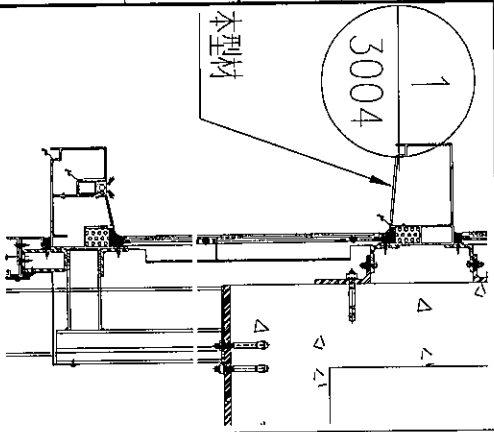
| | | | | | | | |
|----|-----------|----|-----|------------|----|----------------|--|
| 名稱 | 鋁巴彎弧加工圖 | 制圖 | 吳禕瑜 | 2019.05.04 | 修改 | | |
| 材料 | PE00E3465 | 復核 | | | 日期 | | |
| 顏色 | MILL | 批准 | | | 圖號 | J837-FC-HAL79D | |



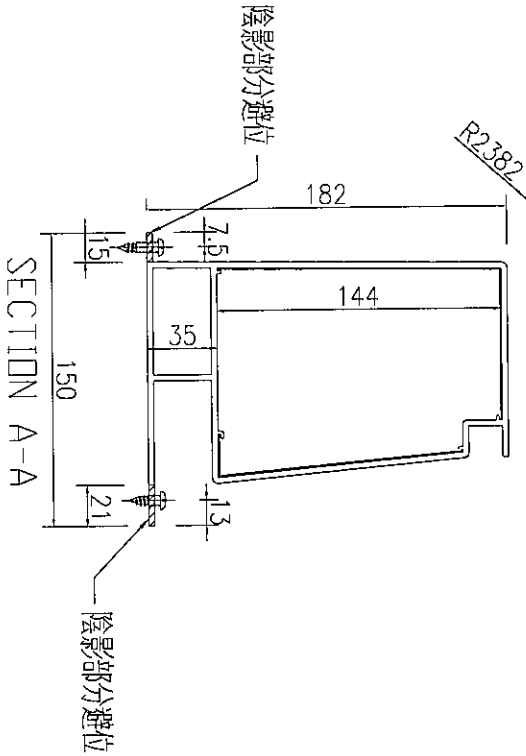
美特鋁質有限公司
MIDI Aluminium Fabricator Ltd.

工程號 J-837 地盤 觀塘

注: 使用E10190中的J837-WH-18进行加工



套心編號: ST-TX1
套心編號: ST-TX1a



| 数量 | 备注 |
|----|----|
| 2 | |

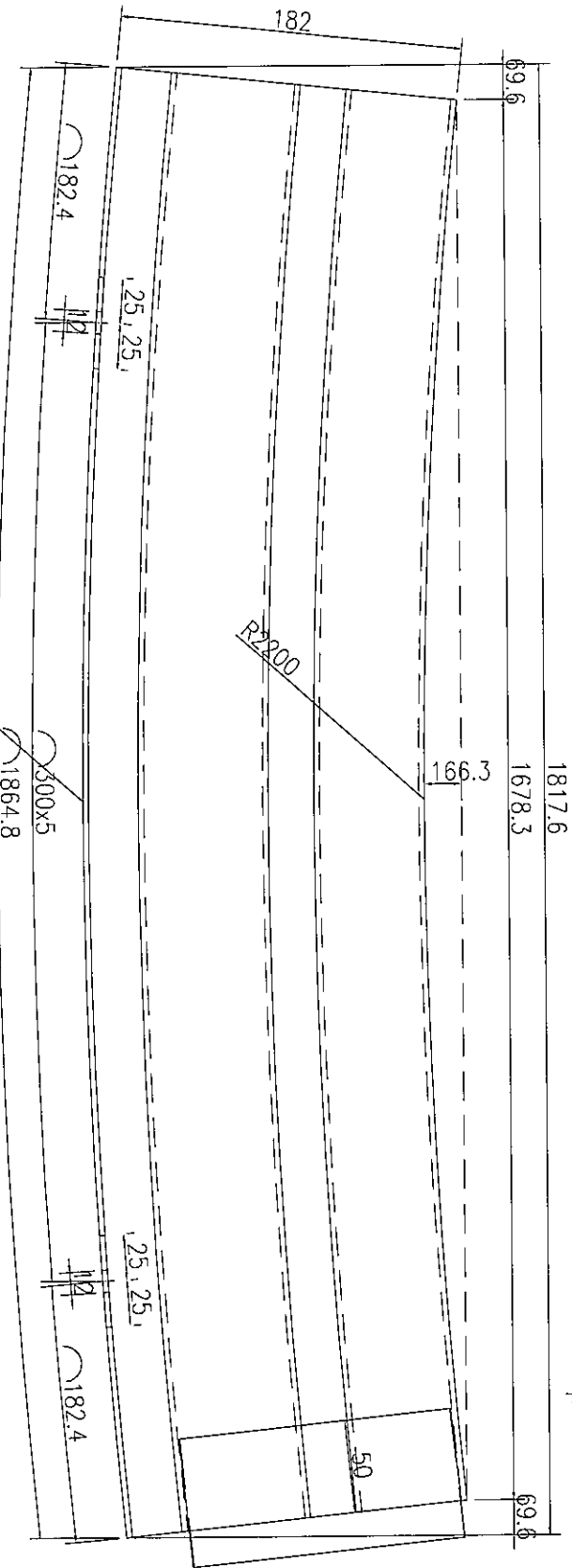
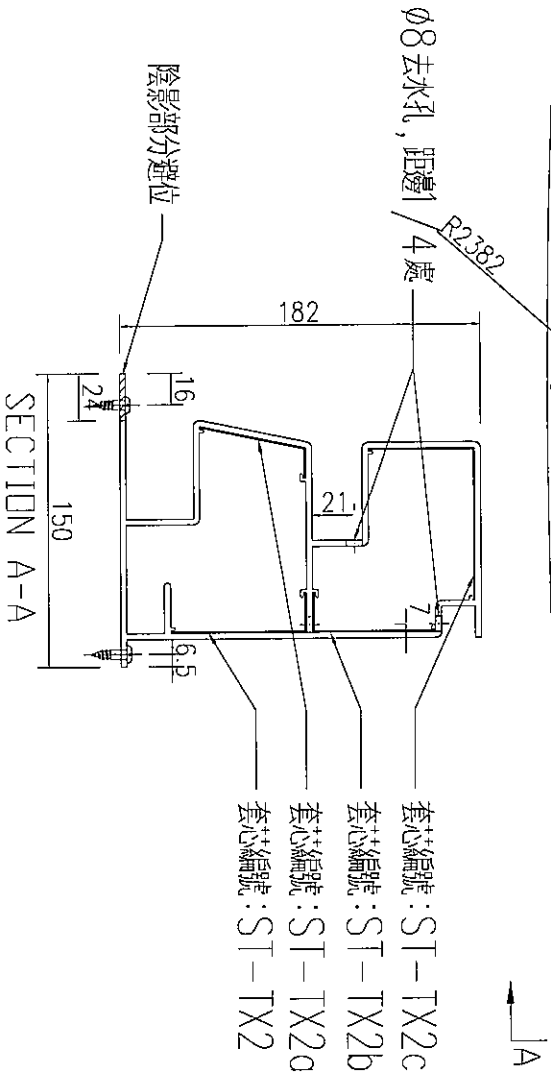
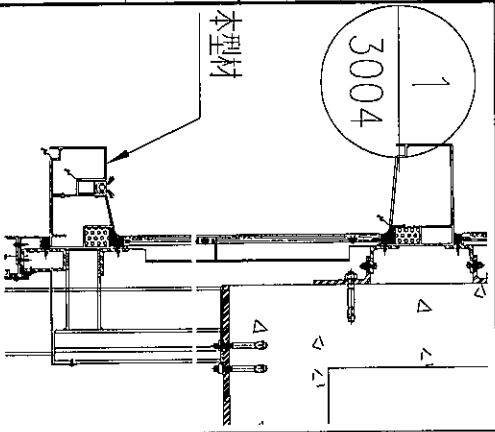
| | | | | | | |
|----|-------------------|----|-----|------------|----|--------------|
| 名稱 | 裝飾條 彎弧加工圖 | 制圖 | 吳禕瑜 | 2019.05.04 | 修改 | |
| 材料 | X85640 | 復核 | | | 日期 | |
| 顏色 | EC-DG-W333007RY白色 | 批准 | | | 圖號 | J837-FC-ST2A |



美特鋁質 有限公司
MIDI Aluminium Fabricator Ltd.

工程號 J-837 地盤 觀塘

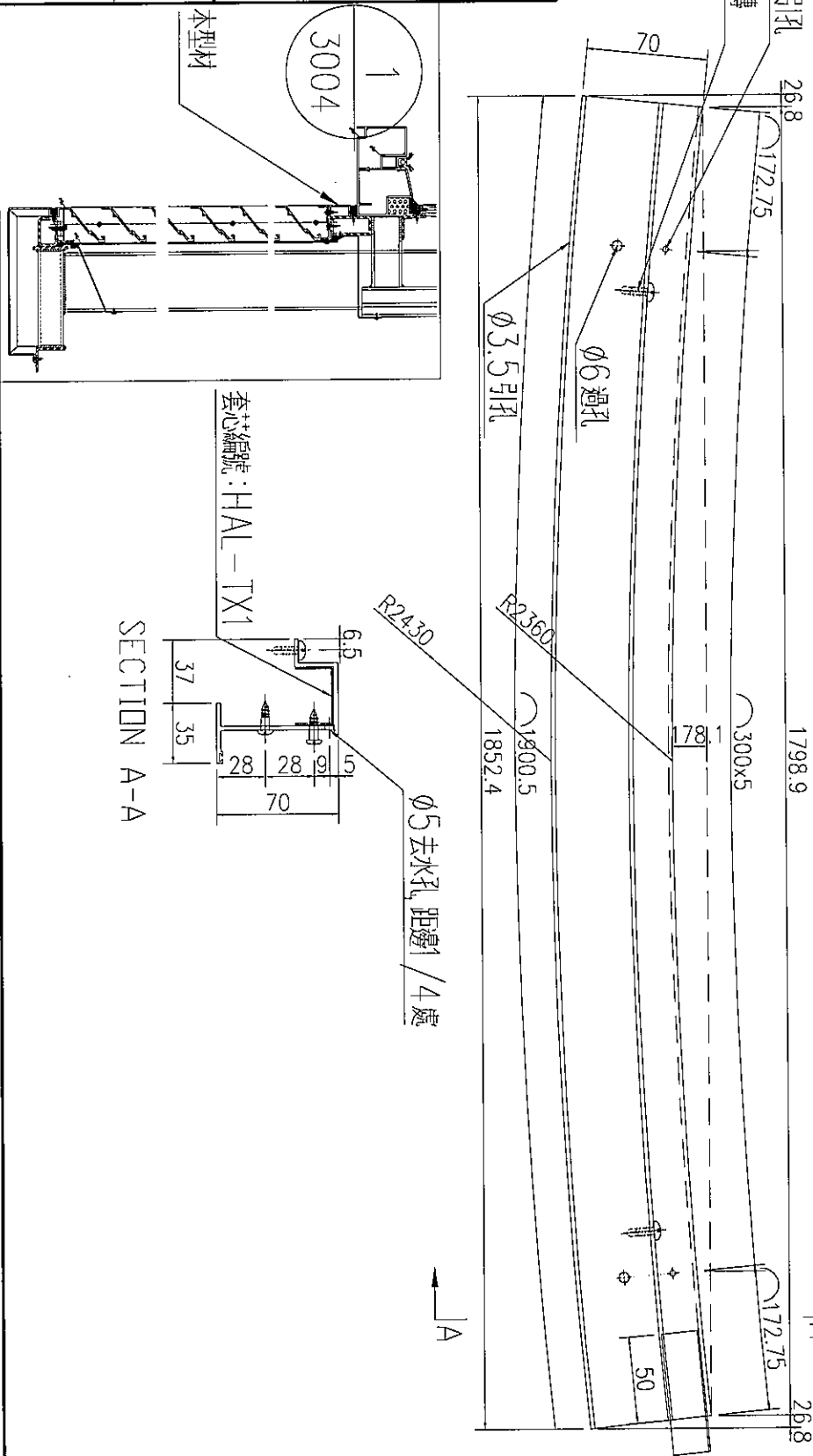
注: 使用E10190中的J837-WH-19进行加工



| 数量 | 备注 |
|----|----|
| 2 | |

| | | | | | | |
|----|--------------------|----|-----|------------|----|--------------|
| 名稱 | 裝飾棧彎弧加工圖 | 制圖 | 吳禕瑜 | 2019.05.04 | 修改 | |
| 材料 | X85641 | 復核 | | | 日期 | |
| 顏色 | EC-DG-W333007RY 白色 | 批准 | | | 圖號 | J837-FC-ST2B |

注: 使用E10190中的J837-WH-20进行加工



| 数量 | 备注 |
|----|----|
| 2 | |

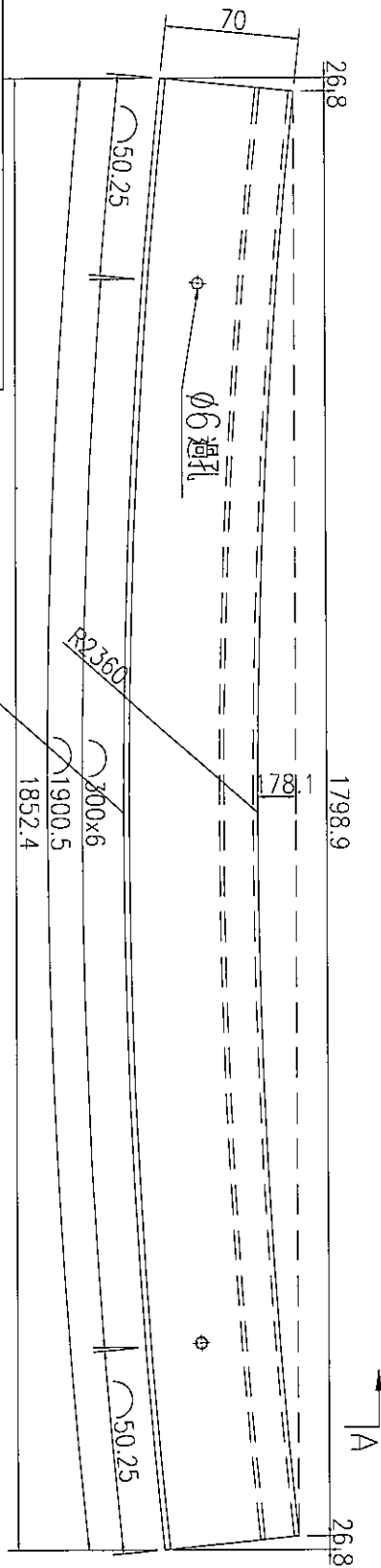
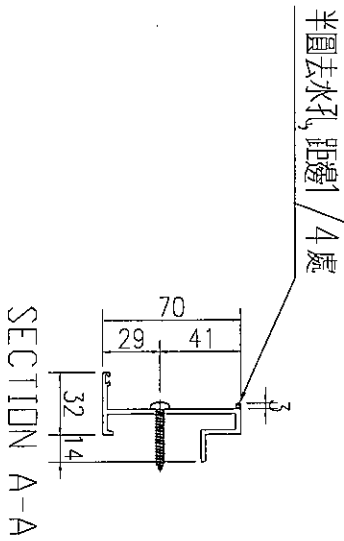
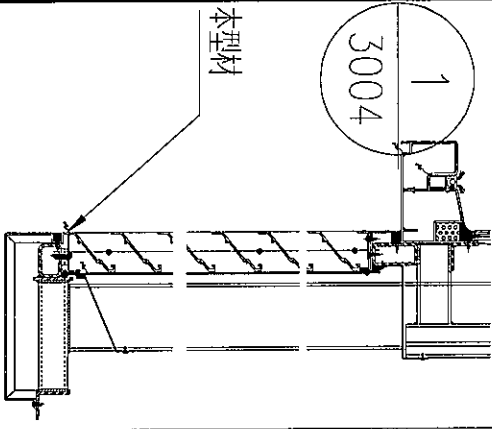
| | | | | | | |
|----|------------------|----|-----|------------|----|---------------|
| 名稱 | 百葉框頂橫彎弧加工圖 | 制圖 | 吳禕瑜 | 2019.05.04 | 修改 | |
| 材料 | X85617 | 復核 | | | 日期 | |
| 顏色 | EC-DG-S332054香檳金 | 批准 | | | 圖號 | J837-FC-HAL2B |



美特鋁質 有限公司
MIDI Aluminium Fabricator Ltd.

工程號 J-837 地盤 觀塘

注: 使用E10190中的J837-WH-21 进行加工



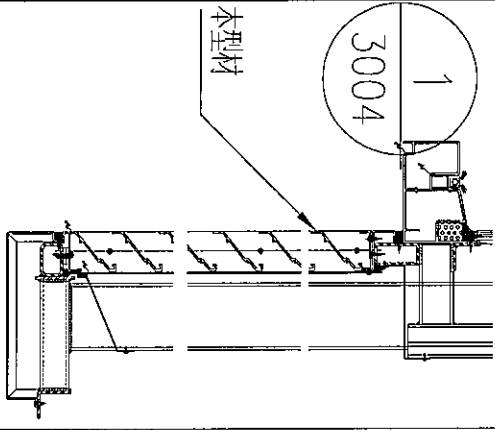
| 数量 | 备注 |
|----|----|
| 2 | |

| | | | | | | | |
|----|-------------------|----|-----|------------|----|---------------|--|
| 名稱 | 百葉框底橫彎弧加工圖 | 制圖 | 吳祿瑜 | 2019.05.04 | 修改 | | |
| 材料 | X85616 | 復核 | | | 日期 | | |
| 顏色 | EC-DG-S332054 香槟金 | 批准 | | | 圖號 | J837-FC-HAL2C | |

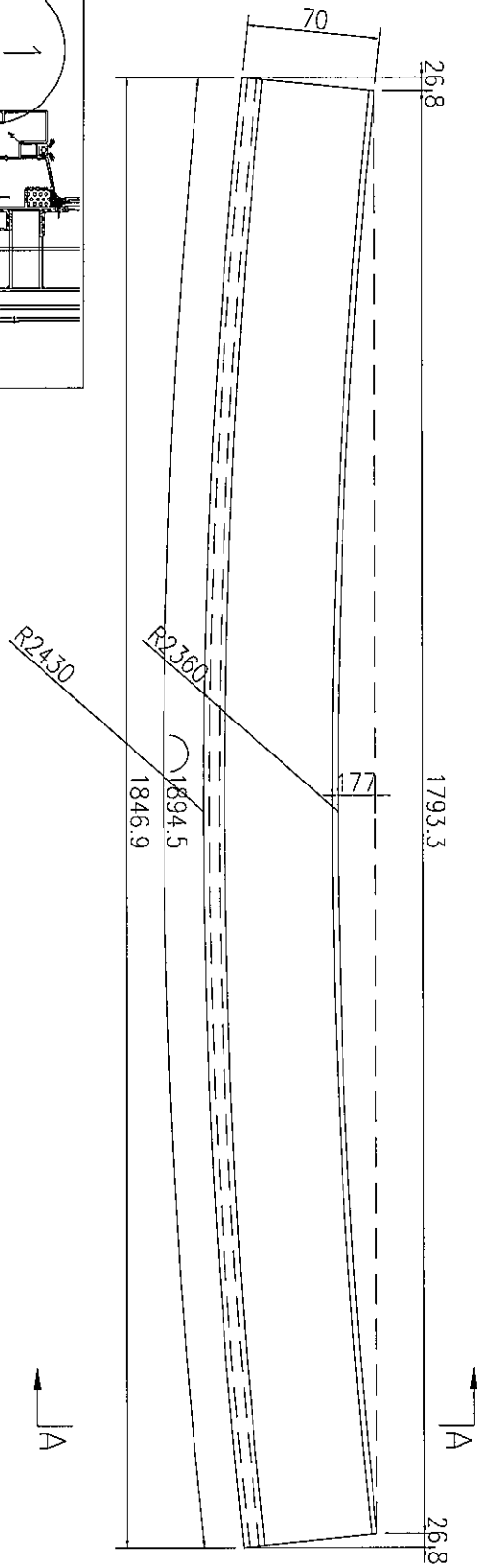
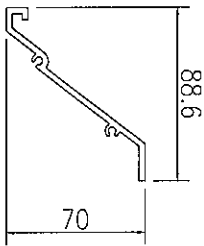


美特鋁質 有限公司
MIDI Aluminium Fabricator Ltd.

| | | | |
|-----|-------|----|----|
| 工程號 | J-837 | 地盤 | 觀塘 |
|-----|-------|----|----|



SECTION A-A



注: 使用E10190中的J837-WH-22进行加工

| | |
|----|----|
| 数量 | 备注 |
| 28 | |

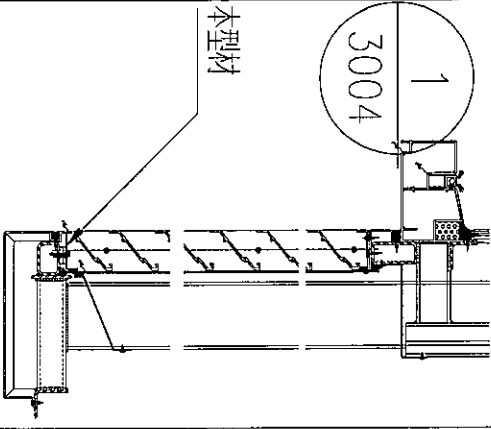
| | | | | | | | |
|----|-------------------|----|-----|------------|----|---------------|--|
| 名稱 | 百葉片彎弧加工圖 | 制圖 | 吳禕瑜 | 2019.05.04 | 修改 | | |
| 材料 | X85618 | 復核 | | | 日期 | | |
| 顏色 | EC-DG-S332054 香檳金 | 批准 | | | 圖號 | J837-FC-HAL2G | |



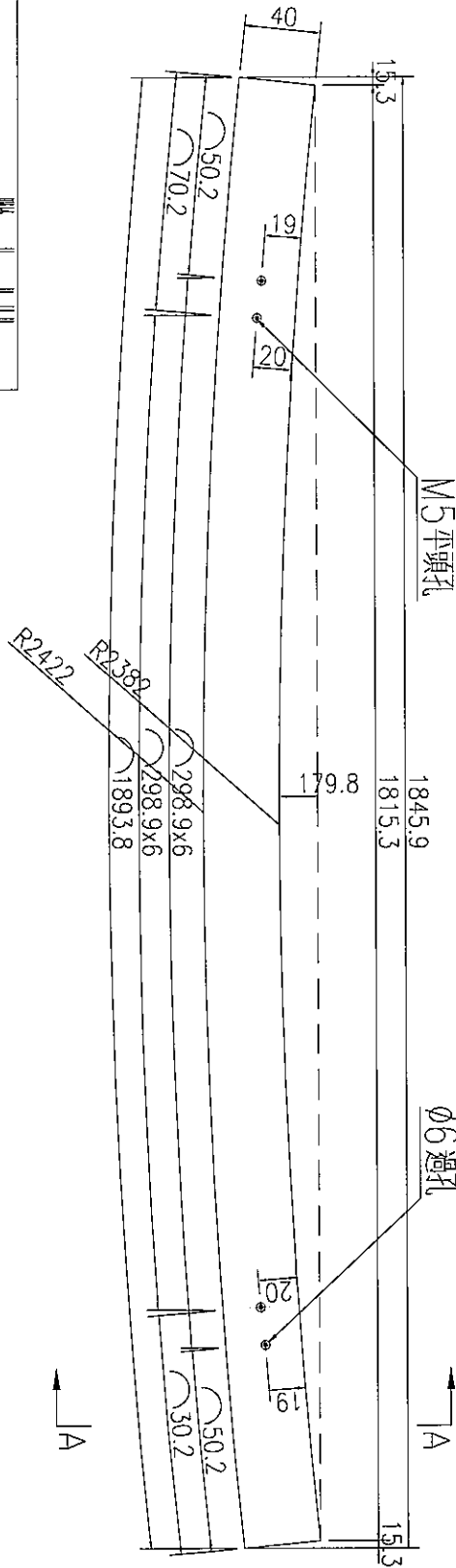
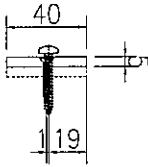
美特鋁質 有限公司
MIDI Aluminium Fabricator Ltd.

工程號 J-837 地盤 觀塘

注: 使用E10190中的J837-WH-24进行加工



SECTION A-A



| 数量 | 备注 |
|----|----|
| 2 | |

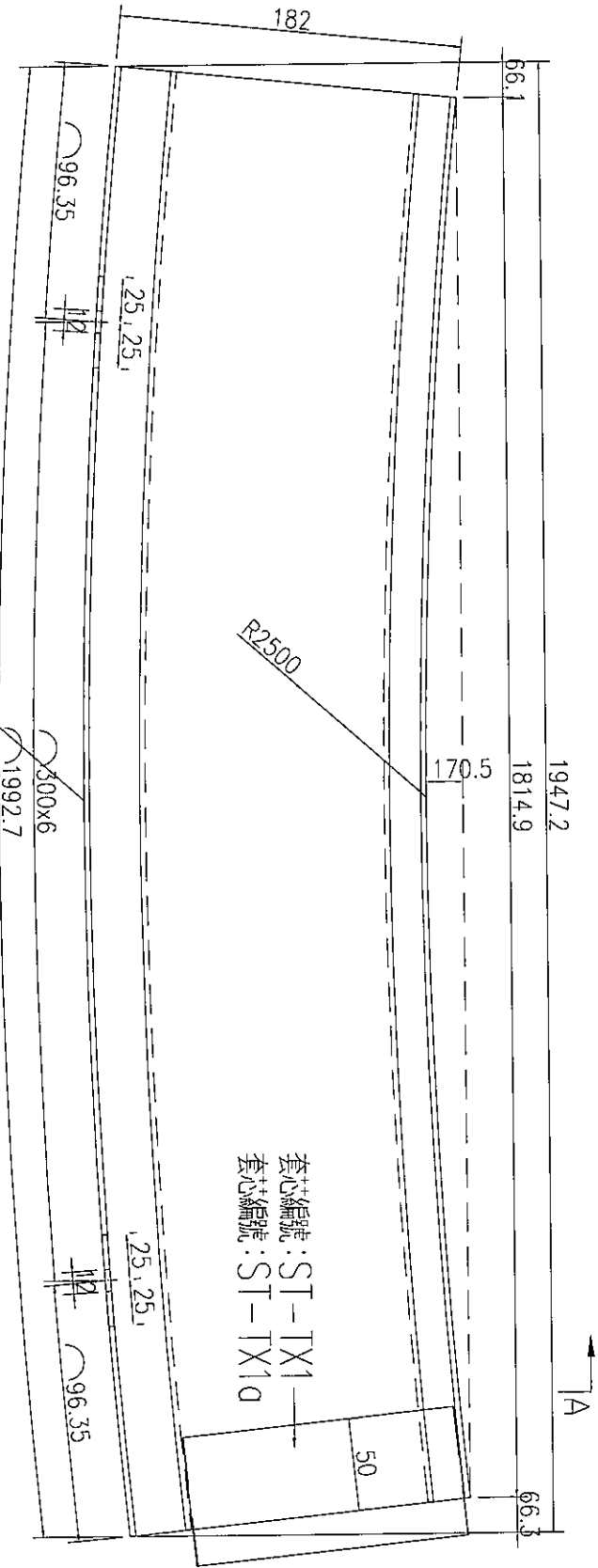
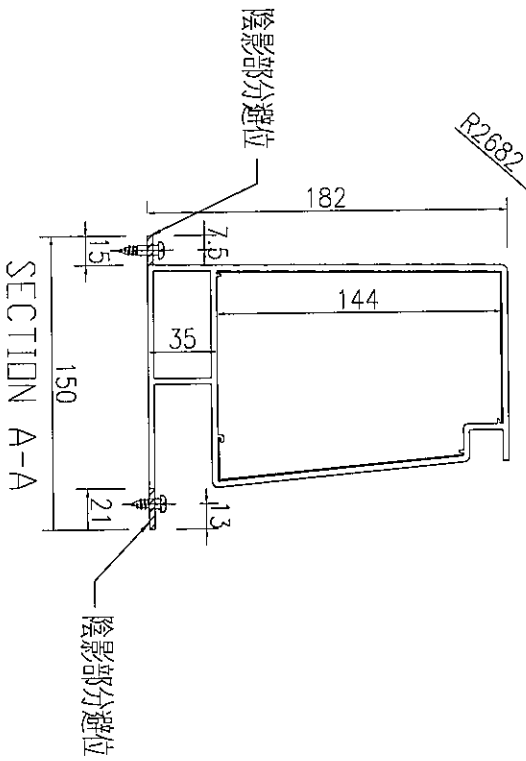
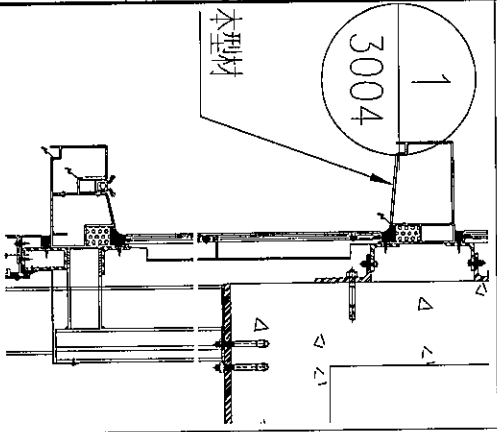
| | | | | | | | |
|----|-----------|----|-----|------------|----|---------------|--|
| 名稱 | 鋁巴彎弧加工圖 | 制圖 | 吳禕瑜 | 2019.05.04 | 修改 | | |
| 材料 | PE00E3465 | 復核 | | | 日期 | | |
| 顏色 | MILL | 批准 | | | 圖號 | J837-FC-HAL2D | |



美特鋁質有限公司
MIDI Aluminium Fabricator Ltd.

工程號 J-837 地盤 觀塘

注: 使用E10190中的J837-WH-25 进行加工



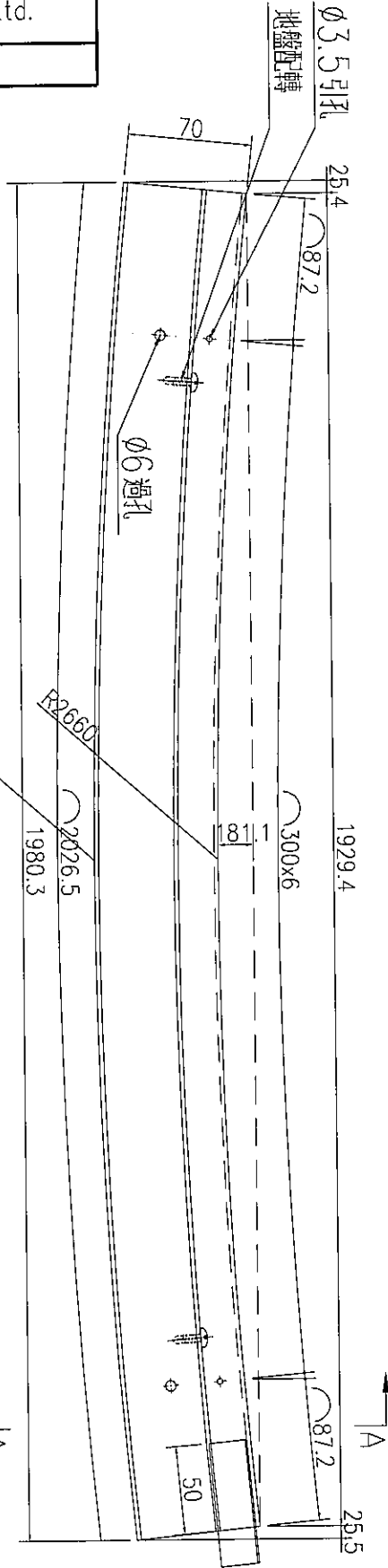
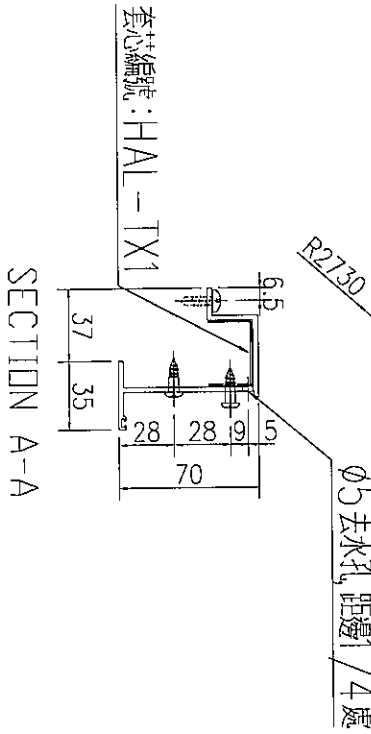
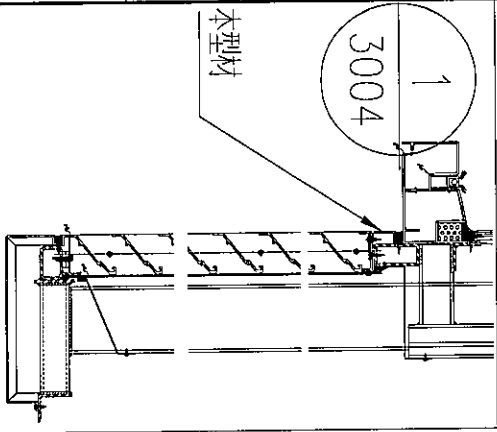
| 数量 | 备注 |
|----|----|
| 2 | |

| | | | | | | |
|----|--------------------|----|-----|------------|----|---------------|
| 名稱 | 裝飾條 彎弧加工圖 | 制圖 | 吳禕瑜 | 2019.05.04 | 修改 | |
| 材料 | X85640 | 復核 | | | 日期 | |
| 顏色 | EC-DG-W333007RY 白色 | 批准 | | | 圖號 | J837-FC-ST73A |

美特鋁質 有限公司
MIDI Aluminium Fabricator Ltd.

工程號 J-837 地盤 觀塘

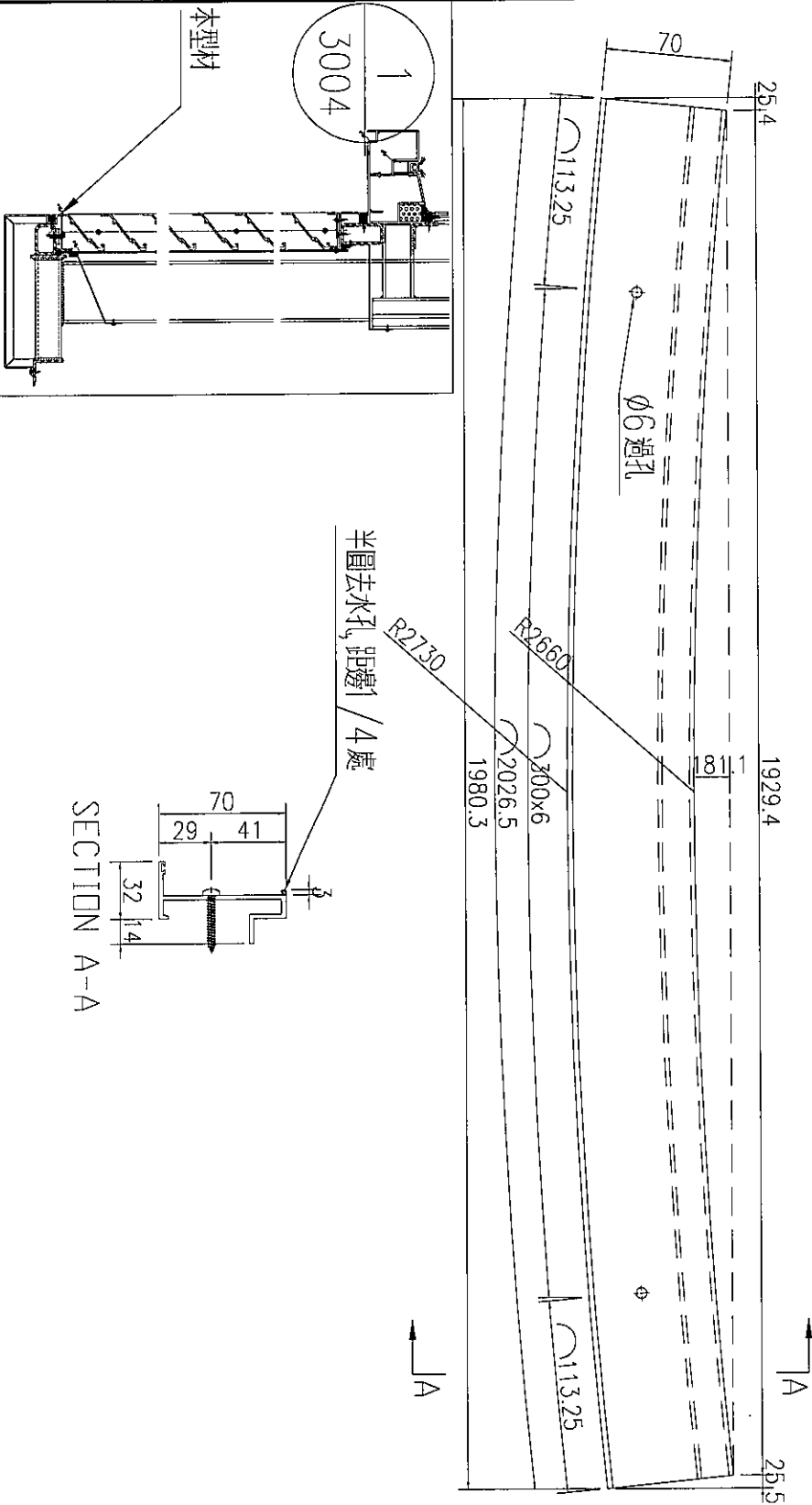
注: 使用E10190中的J837-WH-27 进行加工



| 数量 | 备注 |
|----|----|
| 2 | |

| | | | | | | | |
|----|-------------------|----|-----|------------|----|----------------|--|
| 名稱 | 百葉框頂橫彎弧加工圖 | 制圖 | 吳祿瑜 | 2019.05.04 | 修改 | | |
| 材料 | X85617 | 復核 | | | 日期 | | |
| 顏色 | EC-DG-S332054 香檳金 | 批准 | | | 圖號 | J837-FC-HAL73B | |

注: 使用E10190中的J837-WH-28 进行加工



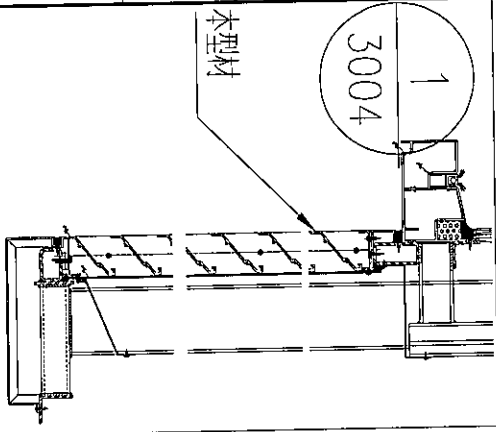
| 数量 | 备注 |
|----|----|
| 2 | |

| | | | | | | |
|----|-------------------|----|-----|------------|----|----------------|
| 名稱 | 百葉框底橫彎弧加工圖 | 制圖 | 吳禕瑜 | 2019.05.04 | 修改 | |
| 材料 | X85616 | 復核 | | | 日期 | |
| 顏色 | EC-DG-S332054 香槟金 | 批准 | | | 圖號 | J837-FC-HAL73C |

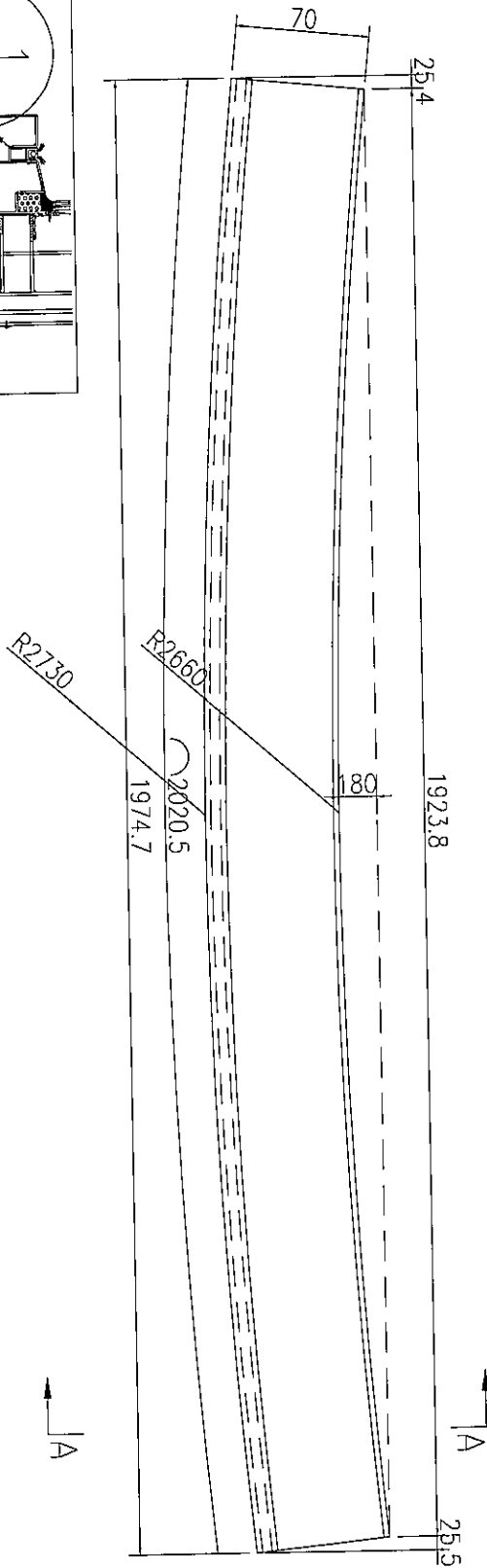
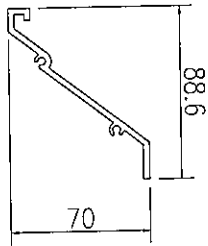


美特鋁質 有限公司
MIDI Aluminium Fabricator Ltd.

工程號 J-837 地盤 觀塘



SECTION A-A

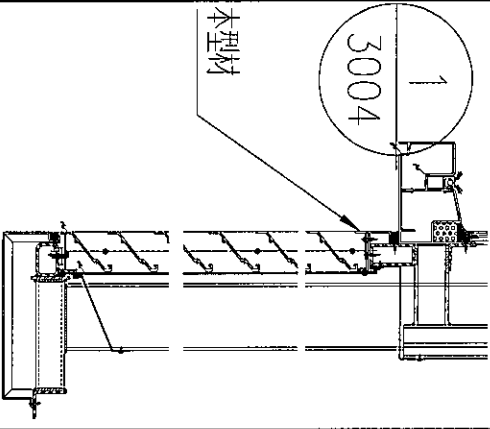


注：使用E10190中的J837-WH-29 进行加工

| 数量 | 备注 |
|----|----|
| 28 | |

| | | | | | | | |
|----|------------------|----|-----|------------|----|----------------|--|
| 名稱 | 百葉片彎弧加工圖 | 制圖 | 吳禕瑜 | 2019.05.04 | 修改 | | |
| 材料 | X85618 | 復核 | | | 日期 | | |
| 顏色 | EC-DG-S332054香檳金 | 批准 | | | 圖號 | J837-FC-HAL73G | |

注: 使用E10190中的J837-WH-30 进行加工

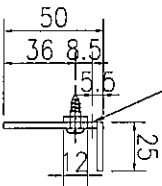


本型材

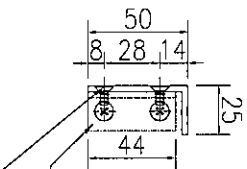
3004

Ø5去水孔, 距邊1/4處

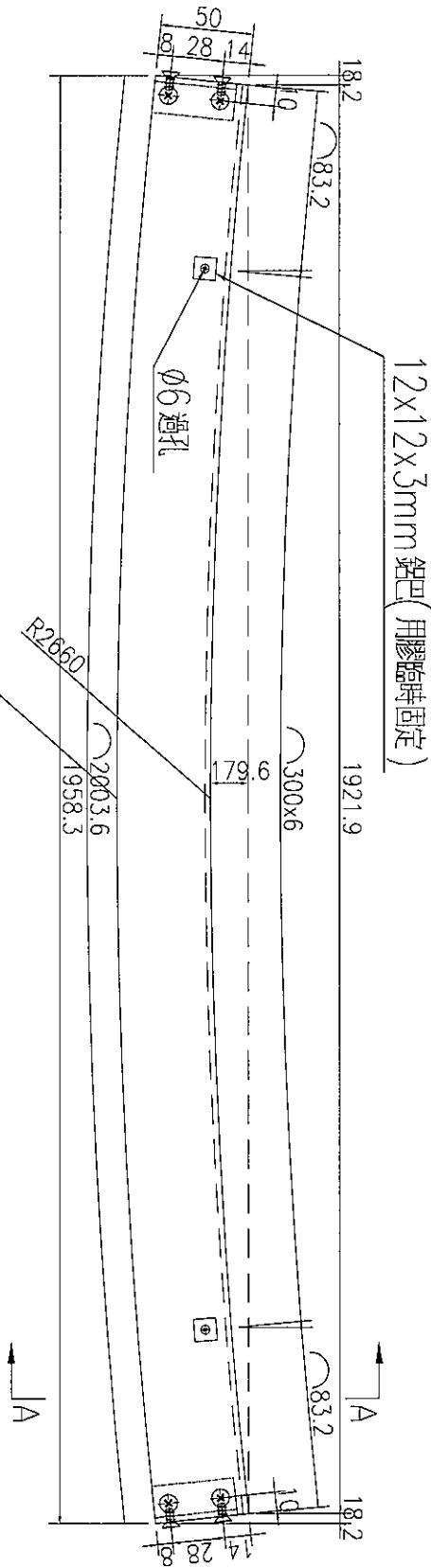
SECTION A-A



SECTION B-B



M5平頭孔
鋁角編號: J837-FC-A01



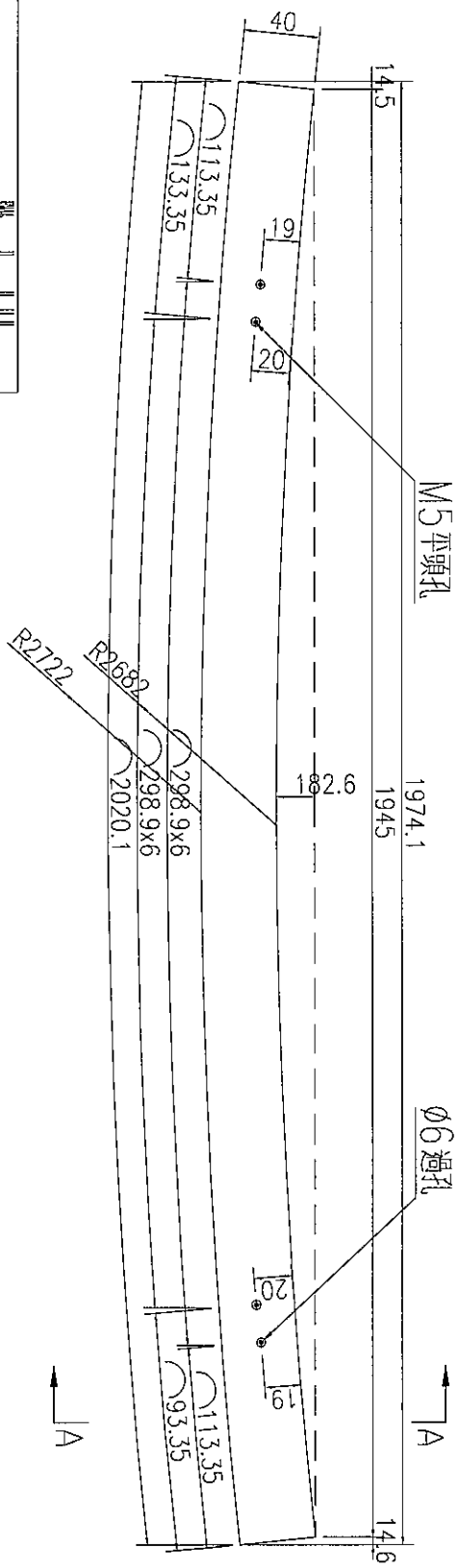
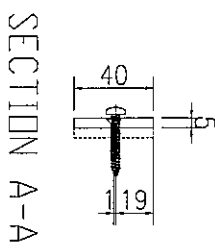
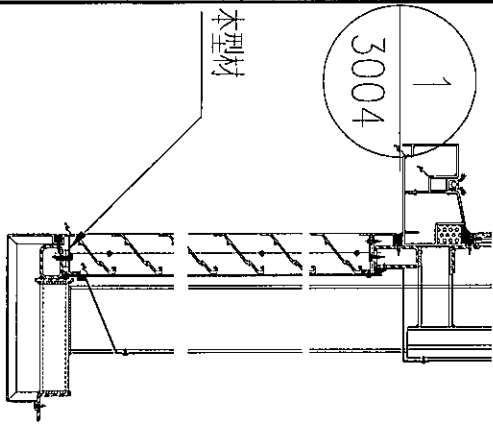
12x12x3mm 鋁巴 (用膠臨時固定)

Ø6 過孔

| 數量 | 備註 |
|----|----|
| 2 | |

| | | | | | | |
|----|-------------------|----|-----|------------|----|----------------|
| 名稱 | 鋁角彎弧加工圖 | 制圖 | 吳禕瑜 | 2019.05.04 | 修改 | |
| 材料 | PEOE10027 | 復核 | | | 日期 | |
| 顏色 | EC-DG-S332054 香槟金 | 批准 | | | 圖號 | J837-FC-HAL73A |

| | | | |
|-----|-------|----|----|
| 工程號 | J-837 | 地盤 | 觀塘 |
|-----|-------|----|----|



注: 使用E10190中的J837-WH-31进行加工

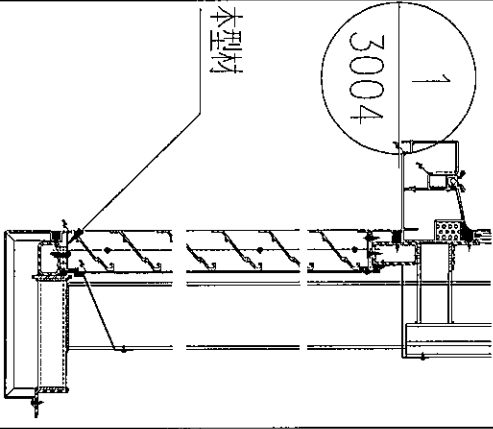
| 数量 | 备注 |
|----|----|
| 2 | |

| | | | | | | |
|----|-----------|----|-----|------------|----|----------------|
| 名稱 | 鋁巴彎弧加工圖 | 制圖 | 吳禕瑜 | 2019.05.04 | 修改 | |
| 材料 | PE00E3465 | 復核 | | | 日期 | |
| 顏色 | MILL | 批准 | | | 圖號 | J837-FC-HAL73D |

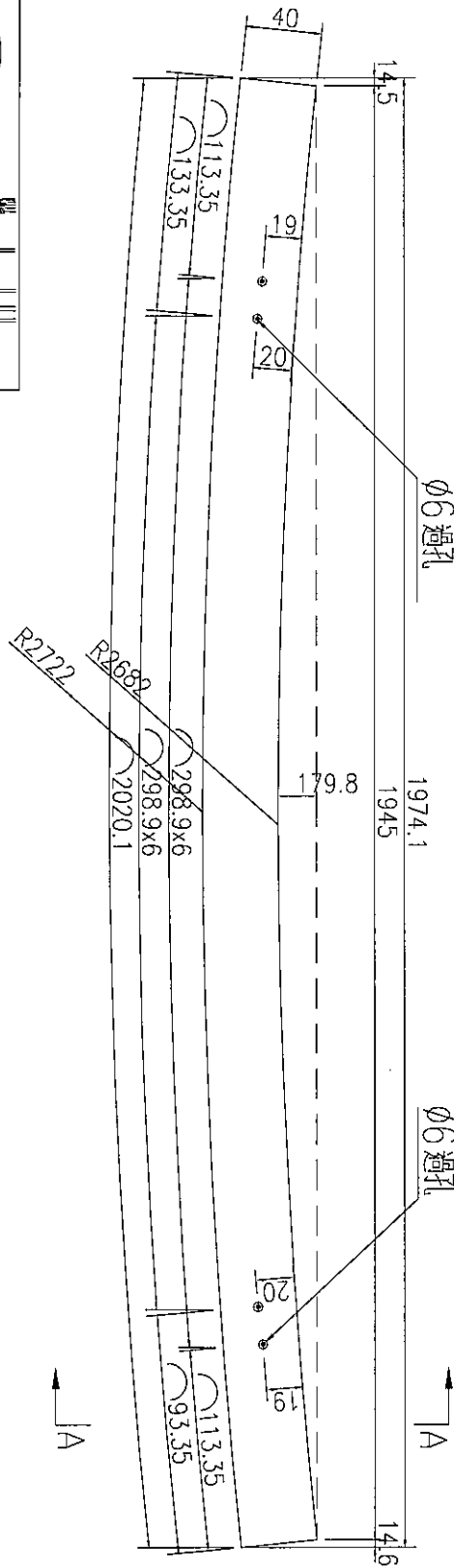
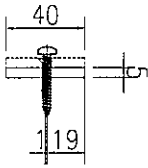
美特鋁質 有限公司
MIDI Aluminium Fabricator Ltd.

工程號 J-837 地盤 觀塘

注：使用I0190中的J837-WH-31进行加工



SECTION A-A



| 数量 | 备注 |
|----|----|
| 2 | |

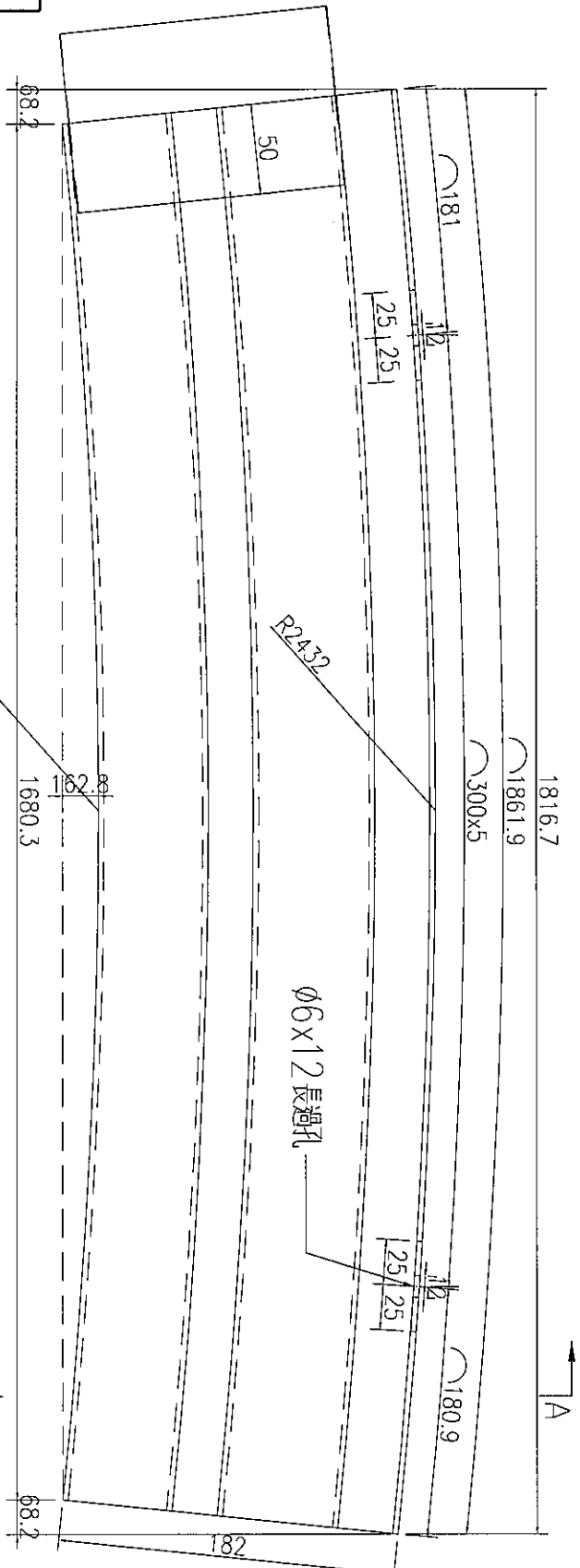
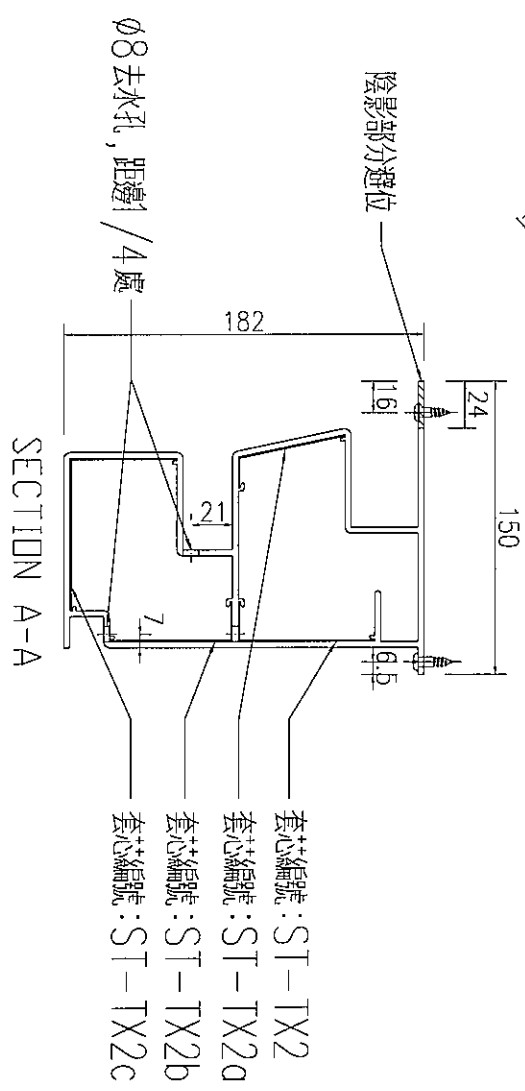
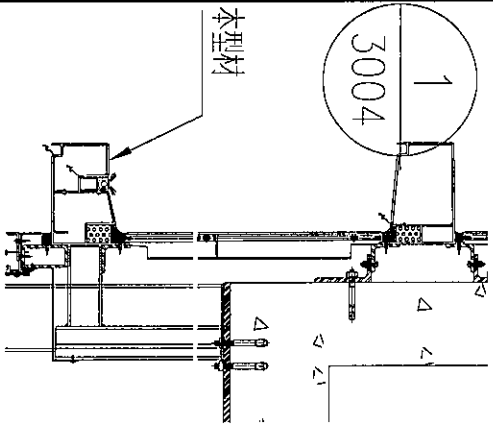
| | | | | | | |
|----|-----------|----|-----|------------|----|----------------|
| 名稱 | 鋁巴彎弧加工圖 | 制圖 | 吳禕瑜 | 2019.05.04 | 修改 | |
| 材料 | PE00E3465 | 復核 | | | 日期 | |
| 顏色 | MILL | 批准 | | | 圖號 | J837-FC-HAL73E |



美特鋁質 有限公司
MIDI Aluminium Fabricator Ltd.

工程號 J-837 地盤 觀塘

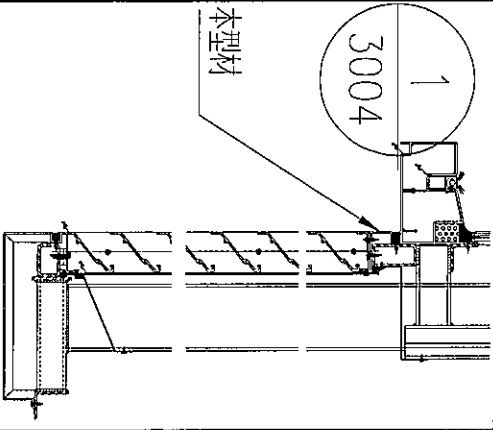
注: 使用E10190中的J837-WH-33进行加工



| 数量 | 备注 |
|----|----|
| 2 | |

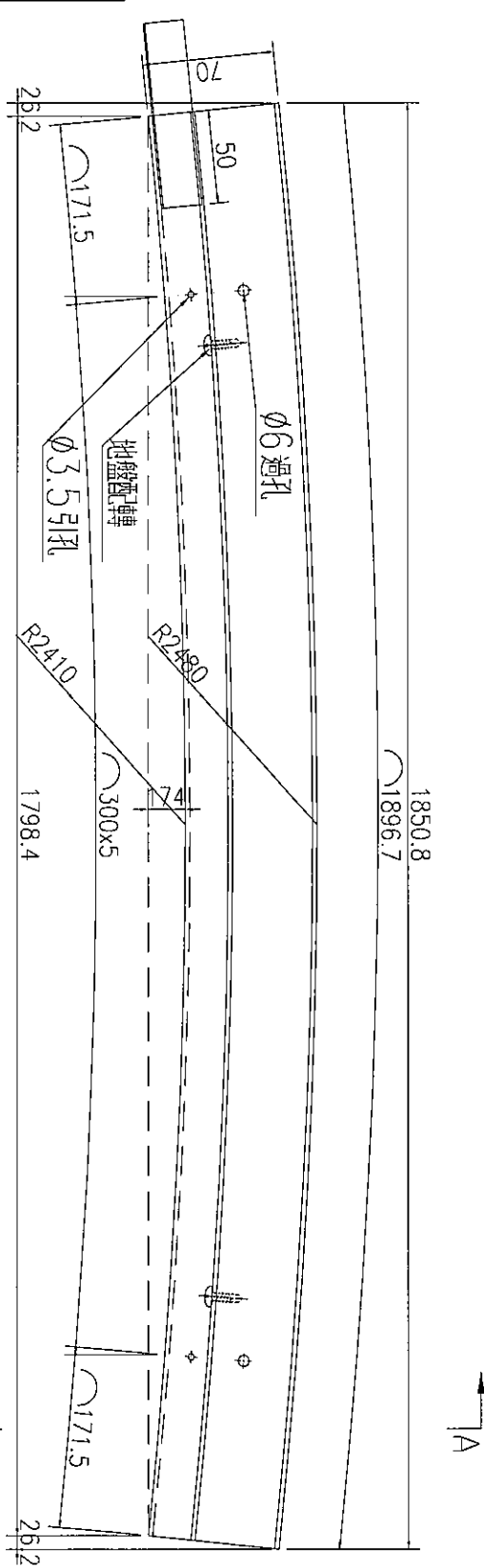
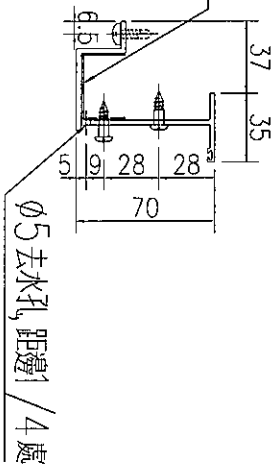
| | | | | | |
|----|-------------------|----|-----|------------|------------------|
| 名稱 | 裝飾條2彎弧加工圖 | 制圖 | 吳禕瑜 | 2019.05.04 | 修改 |
| 材料 | X85641 | 復核 | | | 日期 |
| 顏色 | EC-DG-W333007RY白色 | 批准 | | | 圖號 J837-FC-ST32B |

注: 使用E10190中的J837-WH-34进行加工



套芯編號: HAL-TX1

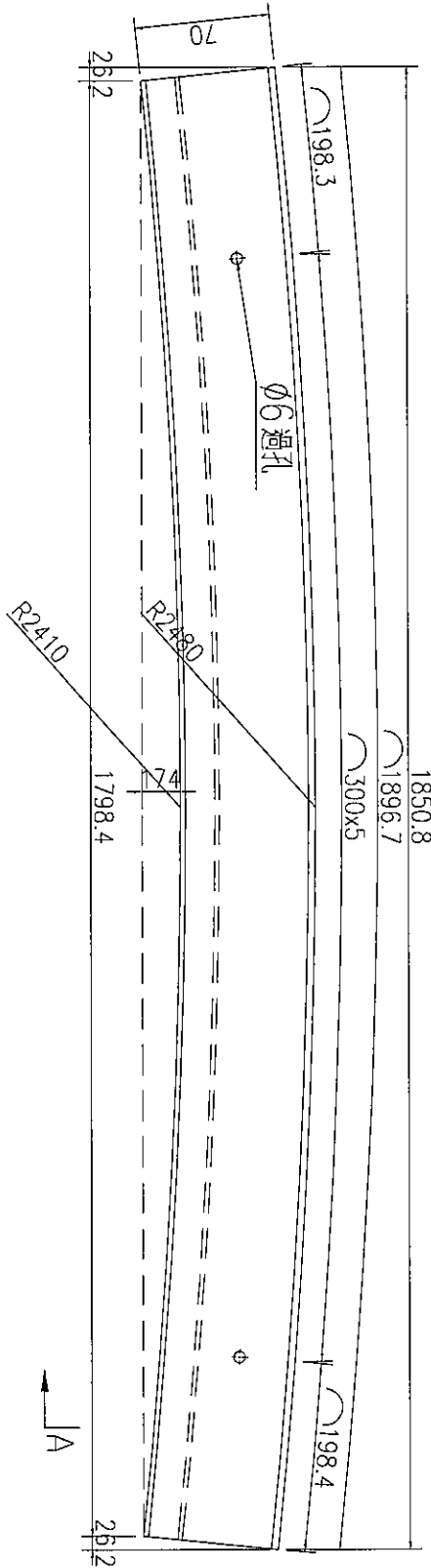
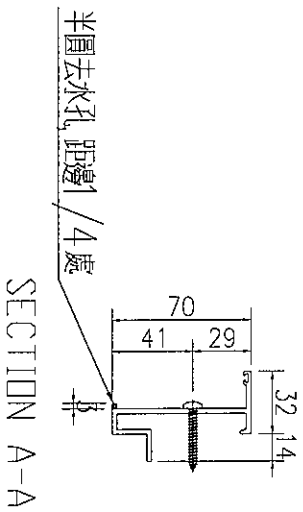
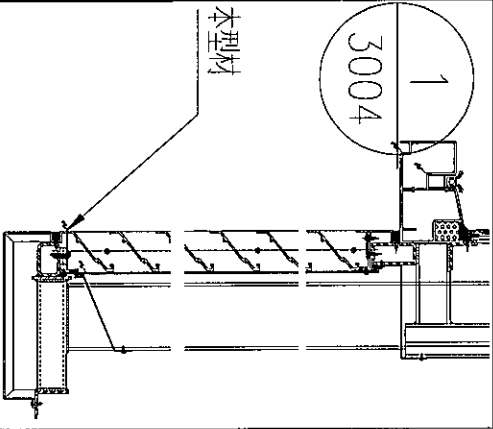
SECTION A-A



| 数量 | 备注 |
|----|----|
| 2 | |

| | | | | | | | |
|----|-------------------|----|-----|------------|----|----------------|--|
| 名稱 | 百葉框頂橫彎弧加工圖 | 制圖 | 吳祥瑜 | 2019.05.04 | 修改 | | |
| 材料 | X85617 | 復核 | | | 日期 | | |
| 顏色 | EC-DG-S332054 香檳金 | 批准 | | | 圖號 | J837-FC-HAL32B | |

注: 使用E10190中的J837-WH-35进行加工



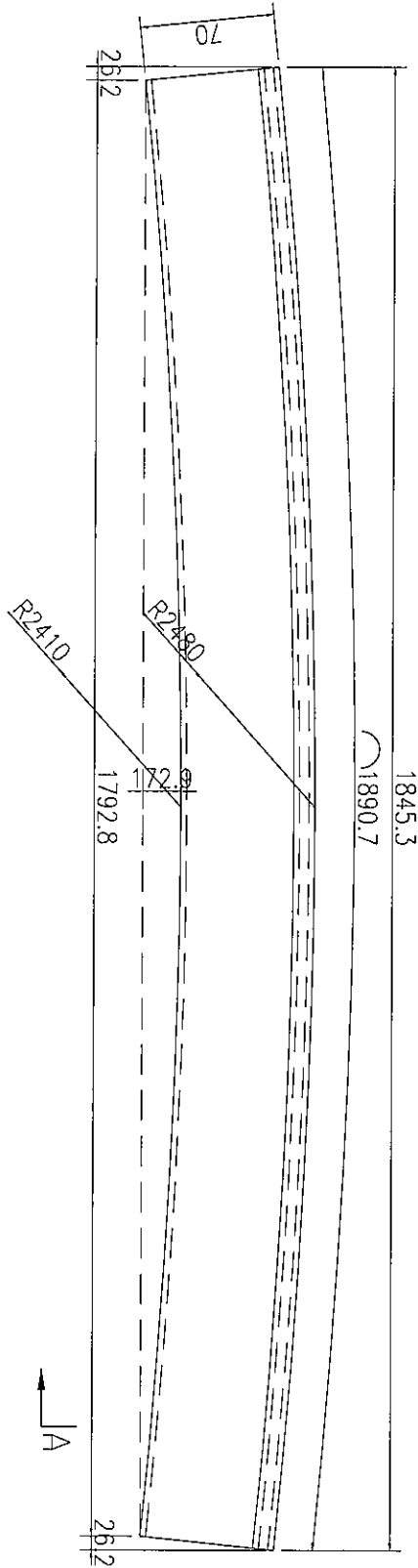
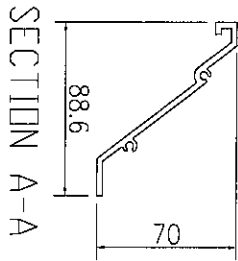
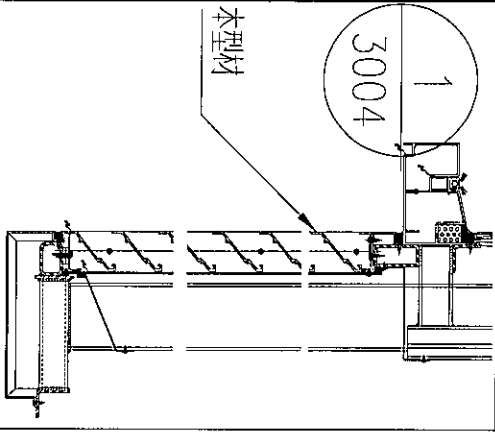
| 数量 | 备注 |
|----|----|
| 2 | |

| | | | | | | | |
|----|-------------------|----|-----|------------|----|----------------|--|
| 名稱 | 百葉框底橫彎弧加工圖 | 制圖 | 吳祎瑜 | 2019.05.04 | 修改 | | |
| 材料 | X85616 | 復核 | | | 日期 | | |
| 顏色 | EC-DG-S332054 香檳金 | 批准 | | | 圖號 | J837-FC-HAL32C | |

美特鋁質有限公司
MIDI Aluminium Fabricator Ltd.

工程號 J-837 地盤 觀塘

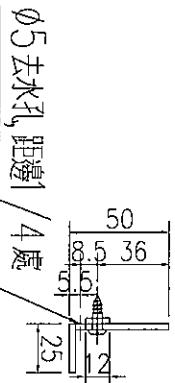
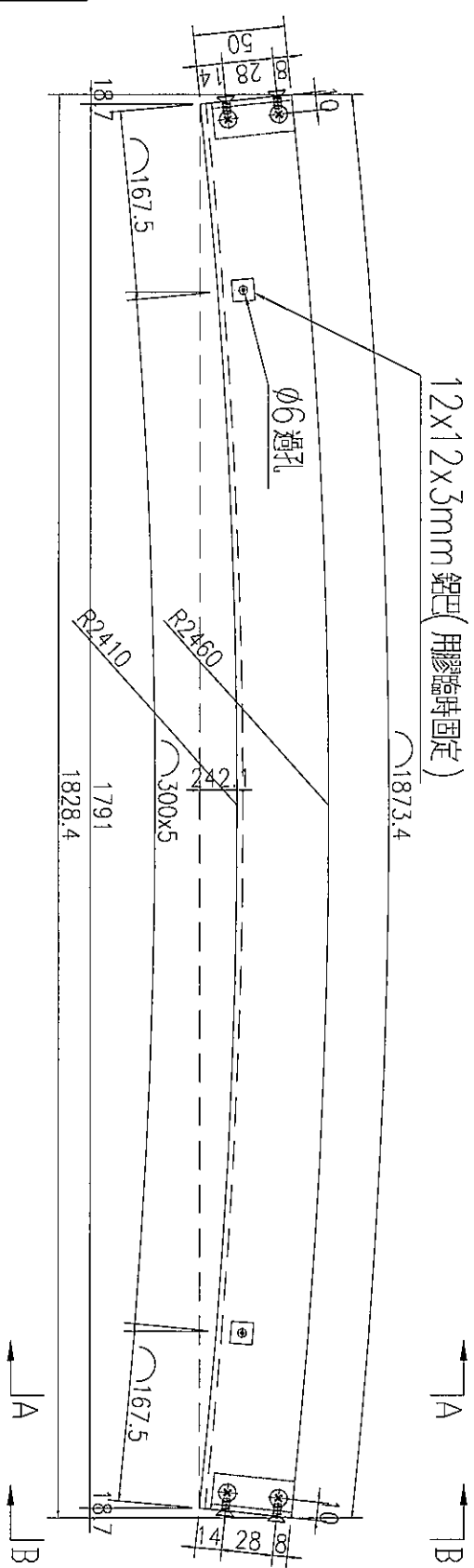
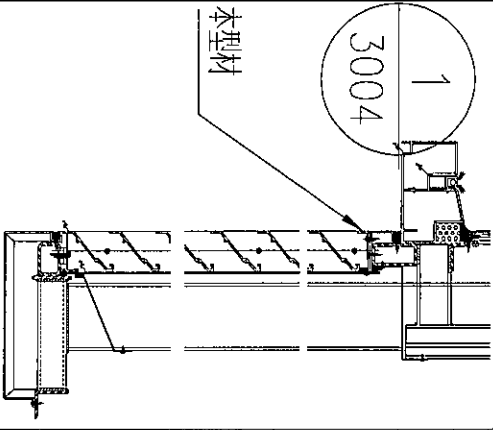
注: 使用E10190中的J837-WH-36 进行加工



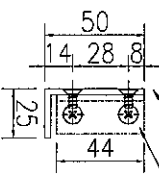
| | | |
|----|----|----|
| 数量 | 28 | 备注 |
|----|----|----|

| | | | | | | |
|----|-------------------|----|-----|------------|----|----------------|
| 名稱 | 百葉片彎弧加工圖 | 制圖 | 吳禎瑜 | 2019.05.04 | 修改 | |
| 材料 | X85618 | 復核 | | | 日期 | |
| 顏色 | EC-DG-S332054 香槟金 | 批准 | | | 圖號 | J837-FC-HAL32G |

注：使用E10190中的J837-WH-37进行加工



SECTION A-A



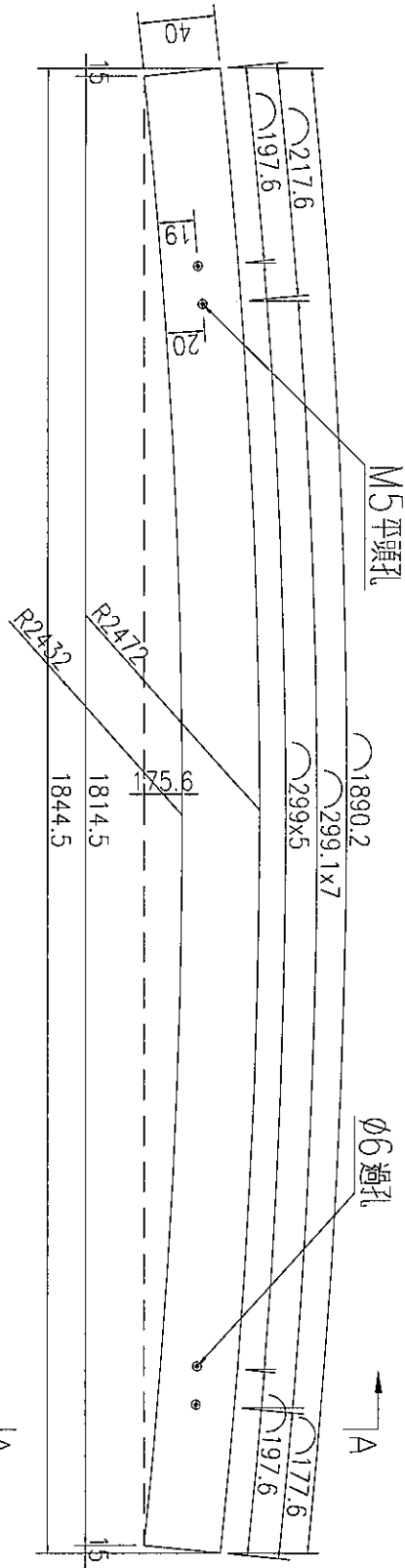
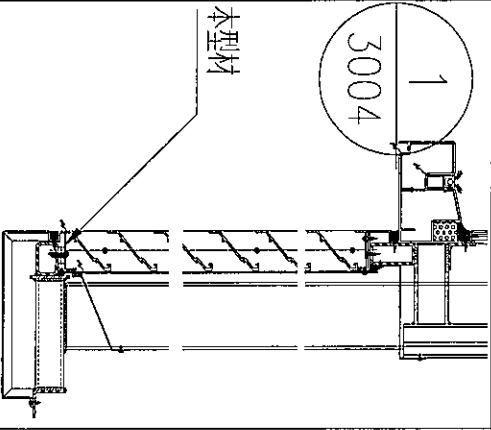
SECTION B-B

M5 平頭孔
鋁角編號: J837-FC-A01

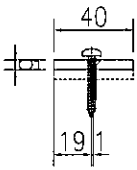
| 數量 | 备注 |
|----|----|
| 2 | |

| | | | | | | |
|----|-------------------|----|-----|------------|----|----------------|
| 名稱 | 鋁角彎弧加工圖 | 制圖 | 吳禕瑜 | 2019.05.04 | 修改 | |
| 材料 | PEOE10027 | 復核 | | | 日期 | |
| 顏色 | EC-DG-S332054 香檳金 | 批准 | | | 圖號 | J837-FC-HAL32A |

注：使用E10190中的J837-WH-38进行加工



SECTION A-A



| 数量 | 备注 |
|----|----|
| 2 | |

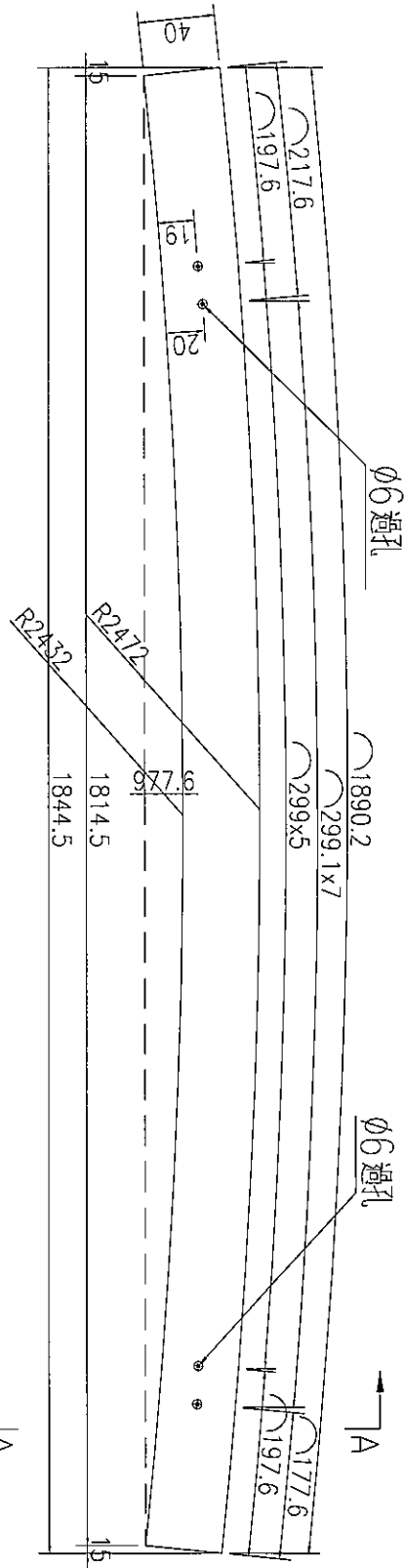
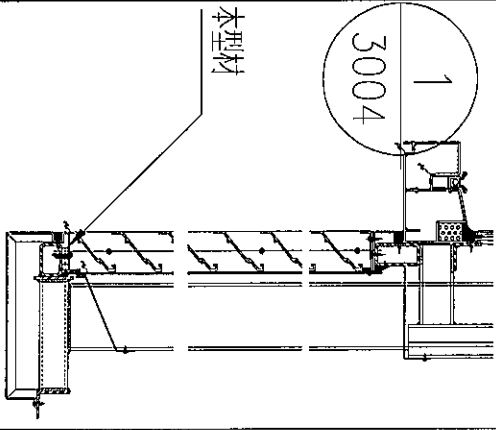
| | | | | | | |
|----|-----------|----|-----|------------|----|----------------|
| 名稱 | 鋁巴彎弧加工圖 | 制圖 | 吳祿瑜 | 2019.05.04 | 修改 | |
| 材料 | PE00E3465 | 復核 | | | 日期 | |
| 顏色 | MILL | 批准 | | | 圖號 | J837-FC-HAL32D |



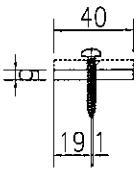
美特鋁質 有限公司
MIDI Aluminium Fabricator Ltd.

工程號 J-837 地盤 觀塘

注: 使用I0190中的J837-WH-38 进行加工



SECTION A-A



| 数量 | 备注 |
|----|----|
| 2 | |

| | | | | | | |
|----|-----------|----|-----|------------|----|----------------|
| 名稱 | 鋁巴彎弧加工圖 | 制圖 | 吳祎瑜 | 2019.05.04 | 修改 | |
| 材料 | PE00E3465 | 復核 | | | 日期 | |
| 顏色 | MILL | 批准 | | | 圖號 | J837-FC-HAL32E |