

EI 0098

16/4/2019 (星期二)

答覆通知, 才安排出卷

ST-52 x 5
 ST-54 x 1
 ST-56 x 1
 ST-58 x 3
 ST-58c x 1
 ST-58a x 1
 ST-60a x 2
 ST-60b x 3
 ST-94 x 2
 ST-95 x 2

total = 21 nos

ST-59
 ST-60
 ST-61
 ST-80
 ST-81
 ST-82
 ST-83
 ST-84a

total = 8 nos

ST-58b x 11
 ST-66 x 1
 ST-70 x 1
 ST-71 x 3
 ST-70a x 1
 ST-72b x 2
 ST-72 x 3
 ST-72a x 2
 ST-69a x 1
 ST-98 x 1
 ST-100 x 1
 ST-101 x 1

total = 28 nos

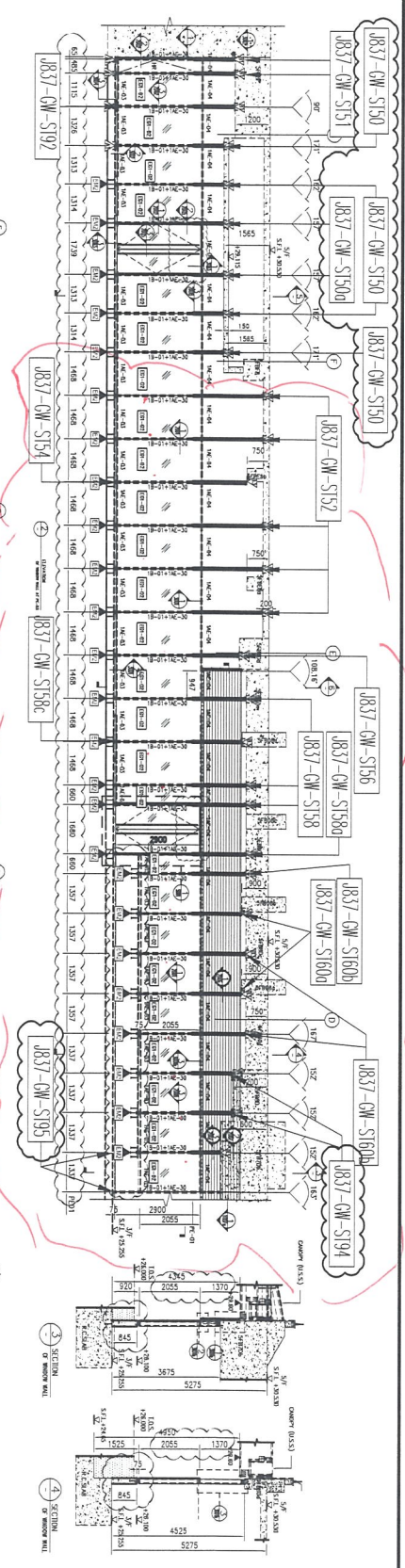
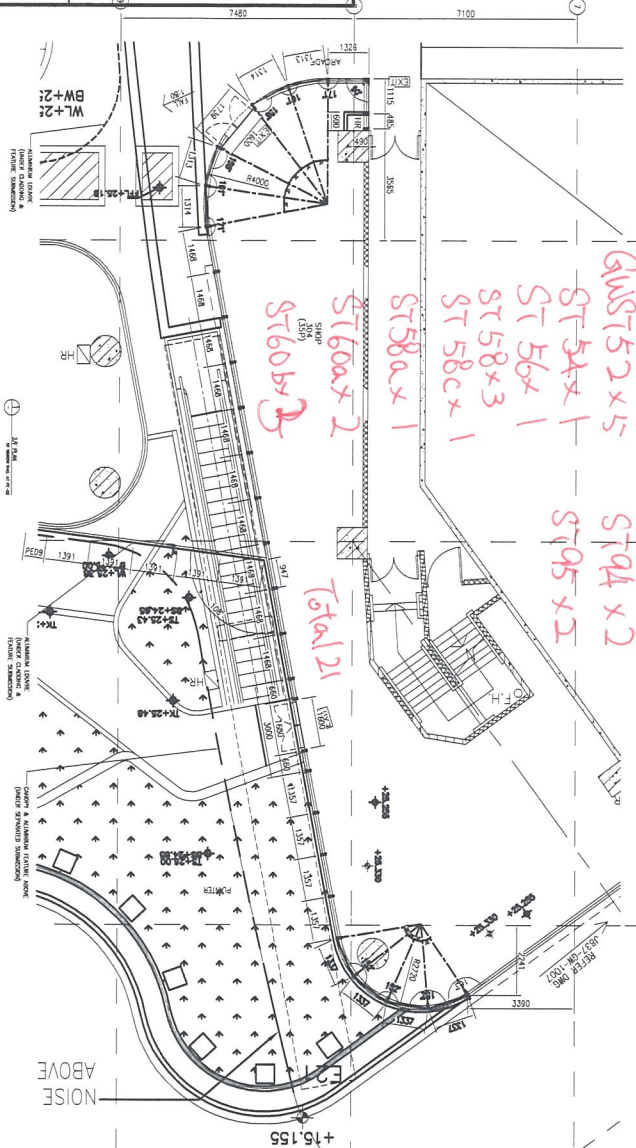
ST-74 x 6
 ST-75a x 1
 ST-54a x 1
 ST-52 x 1
 ST-74a x 4
 ST-75 x 3
 ST-99 x 1
 ST-76 x 2

ST-77 x 2
 ST-99 x 1
 ST-74b x 1
 ST-73a x 5
 ST-73 x 2
 ST-101a x 2
 ST-53 x 4

Total 39 nos

total = 96 nos

工程號 J837 地盤 觀塘

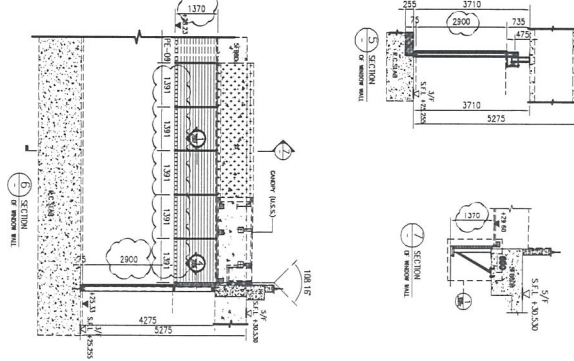
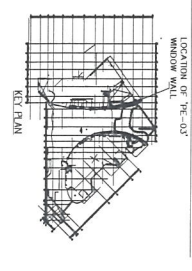


LEGEND:

EG-02	20mm THK MONOCLINIC LOW IRON TEMPERED GLASS
1A-C-01	ALUMINIUM MULLION
1A-C-03	ALUMINIUM TRANSOM
1A-C-04	ALUMINIUM TRANSOM
1B-01	270x50x10mm THK. C.A.S. RIS
	30mm THK. ALUM. CLADDING

SUPPORT LEGEND:

△	TH-01: DUBED WITH 1 NO. TH-02 THROUGH THE CASHTHROW 1 NO.
△	TH-02: DUBED WITH 1 NO. TH-02 THROUGH THE CASHTHROW 1 NO.
△	TH-03: DUBED WITH 1 NO. TH-02 THROUGH THE CASHTHROW 1 NO.
△	TH-04: DUBED WITH 1 NO. TH-02 THROUGH THE CASHTHROW 1 NO.
△	TH-05: DUBED WITH 1 NO. TH-02 THROUGH THE CASHTHROW 1 NO.
△	TH-06: DUBED WITH 1 NO. TH-02 THROUGH THE CASHTHROW 1 NO.
△	TH-07: DUBED WITH 1 NO. TH-02 THROUGH THE CASHTHROW 1 NO.
△	TH-08: DUBED WITH 1 NO. TH-02 THROUGH THE CASHTHROW 1 NO.
△	TH-09: DUBED WITH 1 NO. TH-02 THROUGH THE CASHTHROW 1 NO.
△	TH-10: DUBED WITH 1 NO. TH-02 THROUGH THE CASHTHROW 1 NO.
△	TH-11: DUBED WITH 1 NO. TH-02 THROUGH THE CASHTHROW 1 NO.
△	TH-12: DUBED WITH 1 NO. TH-02 THROUGH THE CASHTHROW 1 NO.
△	TH-13: DUBED WITH 1 NO. TH-02 THROUGH THE CASHTHROW 1 NO.
△	TH-14: DUBED WITH 1 NO. TH-02 THROUGH THE CASHTHROW 1 NO.
△	TH-15: DUBED WITH 1 NO. TH-02 THROUGH THE CASHTHROW 1 NO.
△	TH-16: DUBED WITH 1 NO. TH-02 THROUGH THE CASHTHROW 1 NO.
△	TH-17: DUBED WITH 1 NO. TH-02 THROUGH THE CASHTHROW 1 NO.
△	TH-18: DUBED WITH 1 NO. TH-02 THROUGH THE CASHTHROW 1 NO.
△	TH-19: DUBED WITH 1 NO. TH-02 THROUGH THE CASHTHROW 1 NO.
△	TH-20: DUBED WITH 1 NO. TH-02 THROUGH THE CASHTHROW 1 NO.
△	TH-21: DUBED WITH 1 NO. TH-02 THROUGH THE CASHTHROW 1 NO.
△	TH-22: DUBED WITH 1 NO. TH-02 THROUGH THE CASHTHROW 1 NO.
△	TH-23: DUBED WITH 1 NO. TH-02 THROUGH THE CASHTHROW 1 NO.
△	TH-24: DUBED WITH 1 NO. TH-02 THROUGH THE CASHTHROW 1 NO.
△	TH-25: DUBED WITH 1 NO. TH-02 THROUGH THE CASHTHROW 1 NO.
△	TH-26: DUBED WITH 1 NO. TH-02 THROUGH THE CASHTHROW 1 NO.
△	TH-27: DUBED WITH 1 NO. TH-02 THROUGH THE CASHTHROW 1 NO.
△	TH-28: DUBED WITH 1 NO. TH-02 THROUGH THE CASHTHROW 1 NO.
△	TH-29: DUBED WITH 1 NO. TH-02 THROUGH THE CASHTHROW 1 NO.
△	TH-30: DUBED WITH 1 NO. TH-02 THROUGH THE CASHTHROW 1 NO.



名稱	鐵件位置圖	制圖	曾建平	2018-12-24	修改	A	B
材料		復核			日期	2019-01-30	2019-03-02
顏色		批准			圖號	J837-GW-WZ11	

